

ILLUSTRATED

PARTSLIST

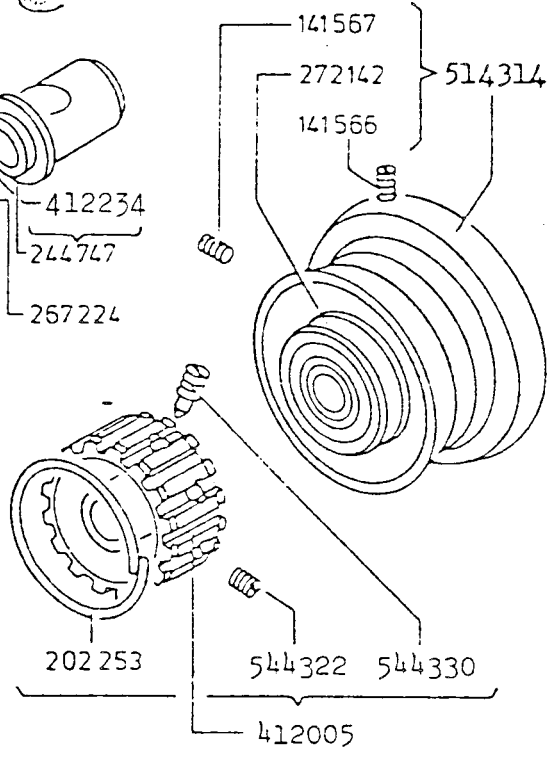
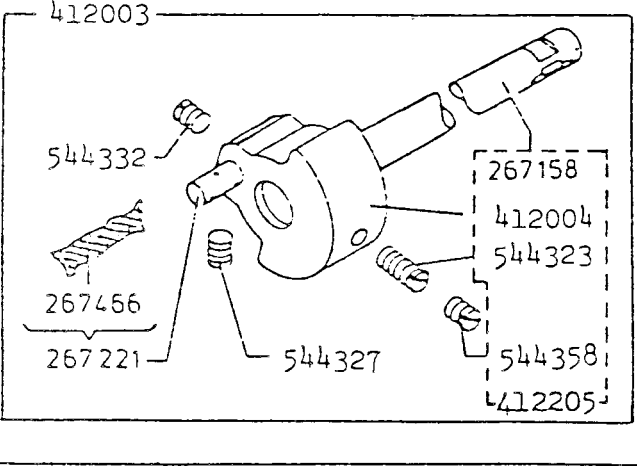
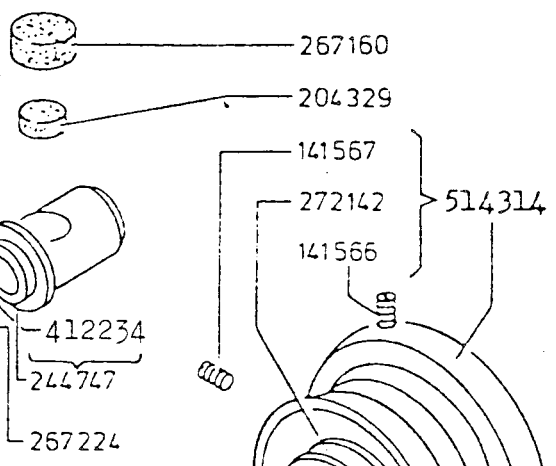
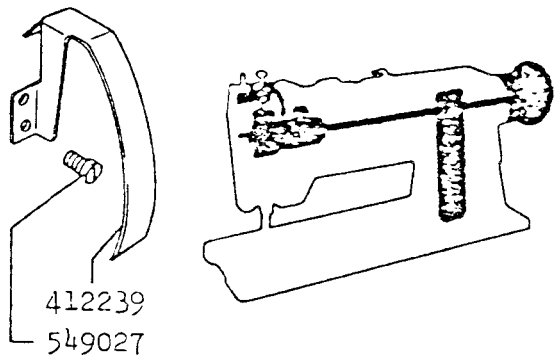
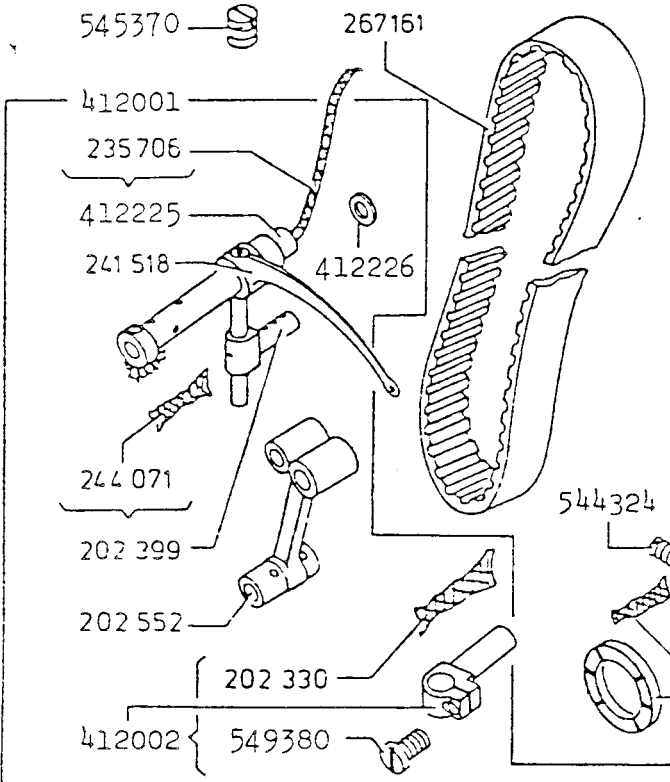
FOR

SINGER*

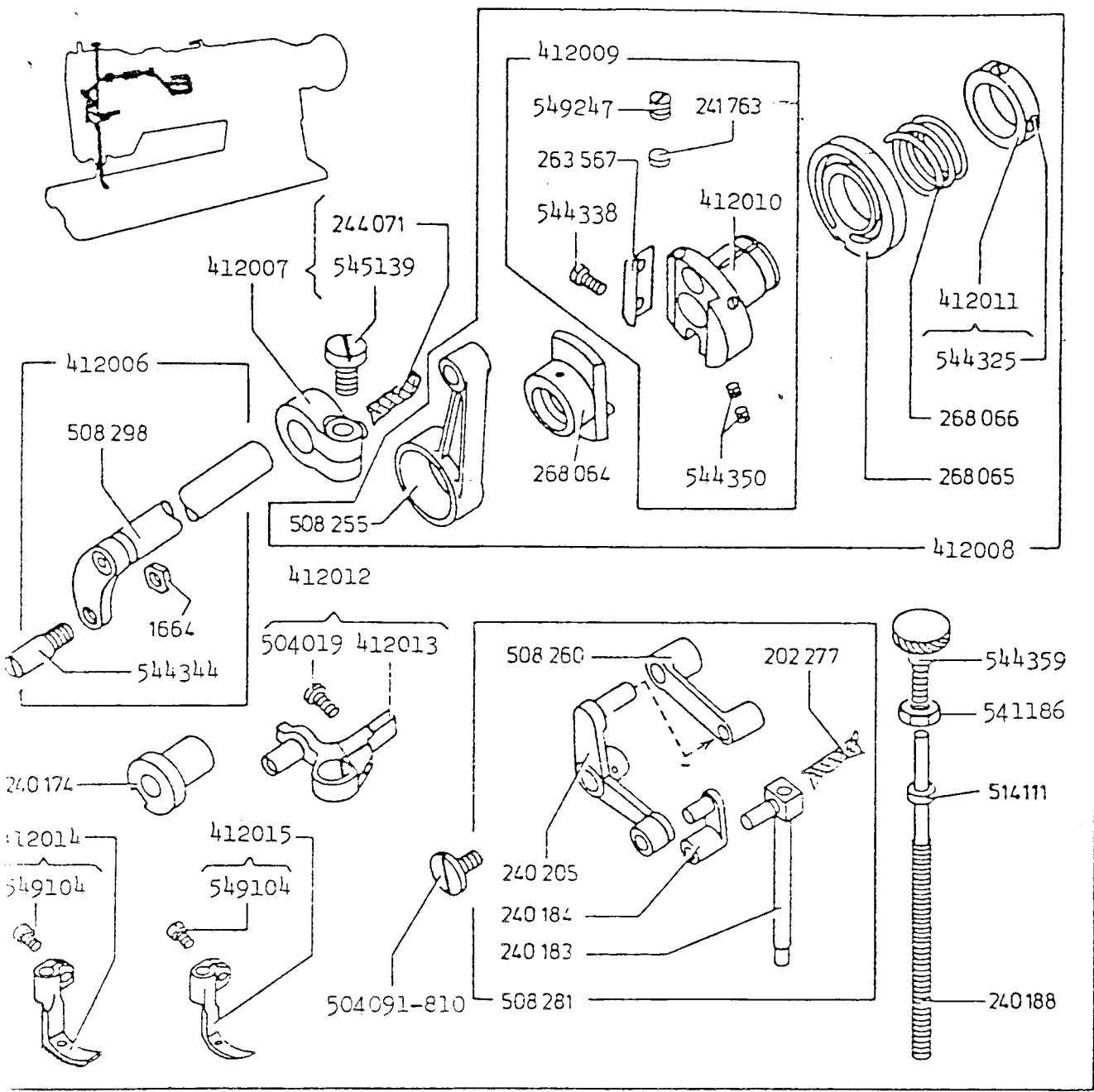
MACHINE

211U165A

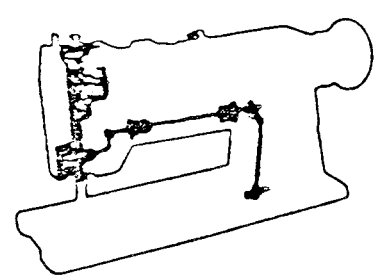
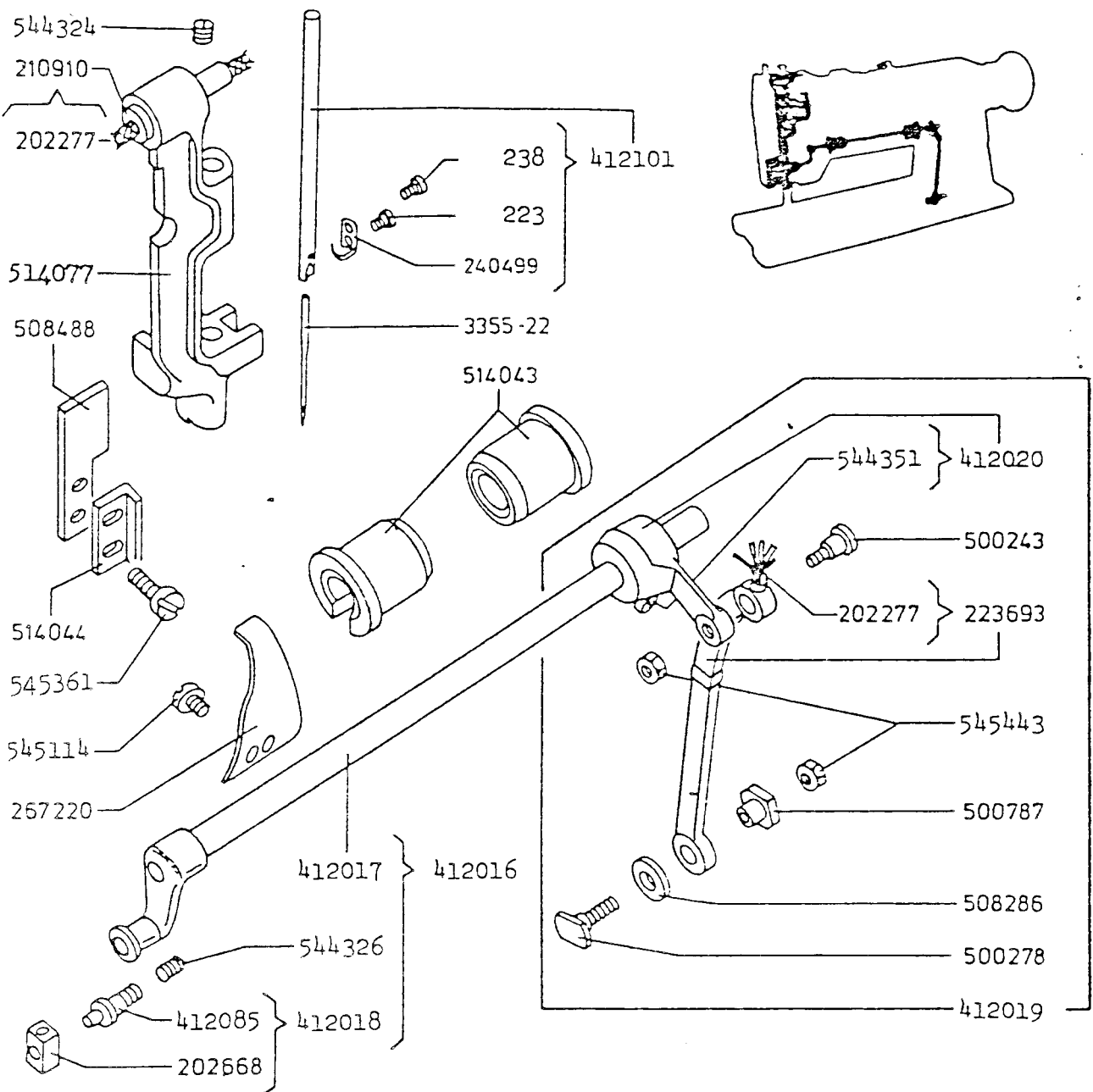
* A Trademark of THE SINGER COMPANY
Copyright © 1982 THE SINGER COMPANY
All Rights Reserved Throughout World



No.	212U141A 442A 212U157A 165A 166A 566A	Description
141566	* * * * *	Machine Pulley Position Screw
141567	* * * * *	Machine Pulley Set Screw
202253	* * * * *	Arm Shaft Connecting Belt Pulley Spring Flange (2)
202330	* * * * *	Needle Bar Connecting Stud Wick
202399	* * * * *	Take-up Lever Driving Stud with 244071
202552	* * * * *	Needle Bar Connecting Link
204329	* * * * *	Arm Shaft Bushing (front) Oil Pad (felt)(Lower)
235706	* * * * *	Take-up Lever Hinge Stud Oil Wick
241518	- - - * *	Take-up Lever
244071	* * * * *	Take-up Lever Driving Stud Oil Wick
244747	* * * * *	Arm Shaft Bushing (front) with 412234
267158	* * * * *	Arm Shaft
267160	* * * * *	Arm Shaft Bushing (front) Oil Pad (felt)(upper)
267161	* * * * *	Arm Shaft Connecting Belt
267221	* * * * *	Needle Bar Connecting Link Stud with 267466
267224	* * * * *	Needle Bar Crank Friction Washer
267466	* * * * *	Needle Bar Connecting Link Stud Wick
272142	* * * * *	Machine Pulley Ball Bearing (back)
412001	- - - * *	Arm Shaft Complete 202399, 202552, 241518, 412002, 412003, 412226
412002	- - - * *	Needle Bar Connecting Stud with 202330
412003	* * * * *	Arm Shaft Complete 267221, 412205, 544327, 544332
412004	* * * * *	Needle Bar Crank
412005	* * * * *	Arm Shaft Connecting Belt Pulley with 202253 (2), 544322, 544330
412205	* * * * *	Arm Shaft Complete 267158, 412004, 544323, 544358
412225	* * * * *	Take-up Lever Hinge Stud with 235706
412226	* * * * *	Take-up Lever Hinge Stud Wearing Washer
412234	* * * * *	Arm Shaft Bushing (front) Oil Wick
412239	* * * * *	Take-up Lever Guard
514314	- - - * *	Machine Pulley with 141566, 141567, 272142
544322	* * * * *	Arm Shaft Connecting Belt Pulley Set Screw
544323	* * * * *	Needle Bar Crank Position Screw
544324	* * * * *	Arm Shaft Bushing (frong) Set Screw
544327	* * * * *	Needle Bar Connecting Link Stud Set Screw
544330	* * * * *	Arm Shaft Connecting Belt Pulley Position Screw
544332	* * * * *	Needle Bar Connecting Link Stud Set Screw
544358	* * * * *	Needle Bar Crank Check Screw
545370	* * * * *	Take-up Lever Hinge Stud Set Screw
549027	* * * * *	Take-up Lever Guard Screw (2)
549380	* * * * *	Needle Bar Connecting Stud Pinch Screw



No.	212U141A 442A 212U157A 165A 166A 566A	Description
1664	- - - * * *	Lifting Bell Crank Link Screw Stud Nut
202277	- - - * * *	Vibrating Presser Bar Wick
240174	- - - * * *	Lifting Rock Shaft Bushing (2)
240183	- - - * * *	Vibrating Presser Bar
240184	- - - * * *	Vibrating Presser Bar Connecting Link
240188	- - - * * *	Vibrating Presser Bar Extension Spring
240205	- - - * * *	Lifting Bell Crank
241763	- - - * * *	Eccentric Friction Plate Screw Set Screw (2)
244071	- - - * * *	Lifting Eccentric Connection Crank Oil Wick
263567	- - - * * *	Lifting Eccentric Friction Plate
268064	- - - * * *	Lifting Eccentric
268065	- - - * * *	Lifting Eccentric Adjusting Disc
268066	- - - * * *	Lifting Eccentric Adjusting Disc Spring
412006	- - - * * *	Lifting Rock Shaft Complete 1664, 508298, 544344
412007	- - - * * *	Lifting Eccentric Connection Crank with 244071, 545139
412008	- - - * * *	Lifting Eccentric Complete 268064, 268065, 268066, 412009, 412011 508255
412009	- - - * * *	Lifting Eccentric Flange Complete 241763 (2), 263567, 412010, 544338 (2), 544350 (4), 549247 (2)
412010	- - - * * *	Lifting Eccentric Flange
412011	- - - * * *	Lifting Eccentric Adjusting Disc Spring Collar with 544325 (2)
412012	- - - * * *	Presser Bar Lifting Bracket with 412013, 504019
412013	- - - * * *	Presser Bar Lifting Bracket
412014	- - - * * *	Vibrating Presser Foot with 549104 (Optional)
412015	- - - * * *	Vibrating Presser Foot with 549104
504019	- - - * * *	Presser Bar Lifting Bracket Pinch Screw
504091-810	- - - * * *	Lifting Bell Crank Cap Screw
508255	- - - * * *	Lifting Eccentric Connection
508260	- - - * * *	Lifting Bell Crank Link
508281	- - - * * *	Vibrating Presser Bar with Bell Crank and Lifting Bell Crank Complete 202277, 240183, 240184 240205, 508260
508298	- - - * * *	Lifting Rock Shaft
514111	- - - * * *	Vibrating Presser Bar Extension
541186	- - - * * *	Vibrating Presser Bar Tumb Screw Lock Nut
544325	- - - * * *	Lifting Eccentric Adjusting Disc Spring Collar Set Screw (2)
544338	- - - * * *	Lifting Eccentric Friction Plate Screw (2)
544344	- - - * * *	Lifting Bell Crank Link Screw Stud
544350	- - - * * *	Lifting Eccentric Flange Set Screw (4)
544359	- - - * * *	Vibrating Presser Bar Thumb Screw (pressure regulating)
545139	- - - * * *	Lifting Eccentric Connection Crank Pinch Screw
549104	- - - * * *	Vibrating Presser Foot Pinch Screw
549104	- - - * * *	Vibrating Presser Foot Pinch Screw
549247	- - - * * *	Lifting Eccentric Friction Plate Screw Set Screw (2)



No.	212U141A 442A 212U157A 165A 166A 566A	Description
223	- - - * * *	Needle Set Screw
238	- - - * * *	Needle Bar Thread Guide Screw
3355-22	- - - * * *	Needle
202277	- - - * * *	Needle Bar Rock Frame Hinge Stud Oil Wick
202277	- - - * * *	Needle Bar Rock Frame Rock Shaft Crank Connection Oil Wick
202668	- - - * * *	Needle Bar Rock Frame Rock Shaft Slide Block
210910	- - - * * *	Needle Bar Rock Frame Hinge Stud with 202277
223693	- - - * * *	Needle Bar Rock Frame Rock Shaft Crank Connection with 202277
240499	- - - * * *	Needle Bar Thread Guide
267220	* * * * * *	Oil Guard
412016	- - - * * *	Needle Bar Rock Frame Rock Shaft Complete 412017, 412018, 544326
412017	- - - * * *	Needle Bar Rock Frame Rock Shaft
412018	- - - * * *	Needle Bar Rock Frame Rock Shaft Slide Block with 202668, 412085
412019	- - - * * *	Needle Bar Rock Shaft Connection Link Crank Complete 223693, 412020, 500243, 500278, 500787, 508286, 545443 (2)
412020	- - - * * *	Needle Bar Rock Shaft Connection Link Crank with 544351
412085	- - - * * *	Needle Bar Rock Frame Rock Shaft Slide Block Stud
412101	- - - * * *	Needle Bar with 223, 238, 240499
500243	- - - * * *	Needle Bar Rock Shaft Crank Hinge Screw
500278	- - - * * *	Needle Bar Rock Shaft Crank Link Slide Screw
500787	- - - * * *	Needle Bar Rock Shaft Crank Link Slide Screw Nut
508286	- - - * * *	Needle Bar Rock Shaft Crank Link Slide Screw Spacer
508488	- - - * * *	Presser Bar Guide
514043	- - - * * *	Needle Bar Rock Shaft Bushing (2)
514044	- - - * * *	Needle Bar Rock Frame Position Bracket
514077	- - - * * *	Needle Bar Rock Frame
544324	- - - * * *	Needle Bar Rock Frame Hinge Stud Set Screw
544326	- - - * * *	Needle Bar Rock Frame Rock Shaft Slide Block Stud Set Screw
544351	- - - * * *	Needle Bar Rock Shaft Connection Link Crank Pinch Screw
545114	* * * * * *	Oil Guard Screw (2)
545361	- - - * * *	Presser Bar Guide Screw (2)
545443	- - - * * *	Needle Bar Rock Shaft Crank Hinge Screw
545443	- - - * * *	Needle Bar Rock Shaft Crank Link Slide Screw Lock Nut

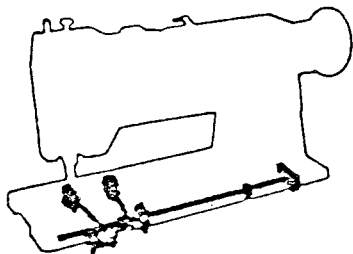
544329 — [part]

544399 — [part]

412026 — [part]

240147 — [part]

264510 — [part]



412021

412023

412025

549075 — [part]
223655 — [part]

543804-005

544411 — [part]

412024

545405 — [part]

412089 — [part]

412022

545154 — [part]

508327 — [part]
154780 — [part]

412027

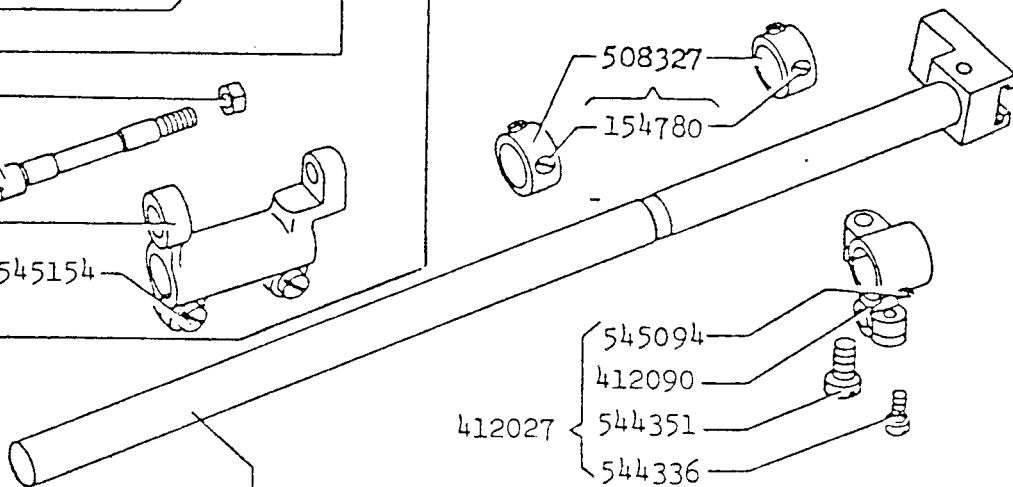
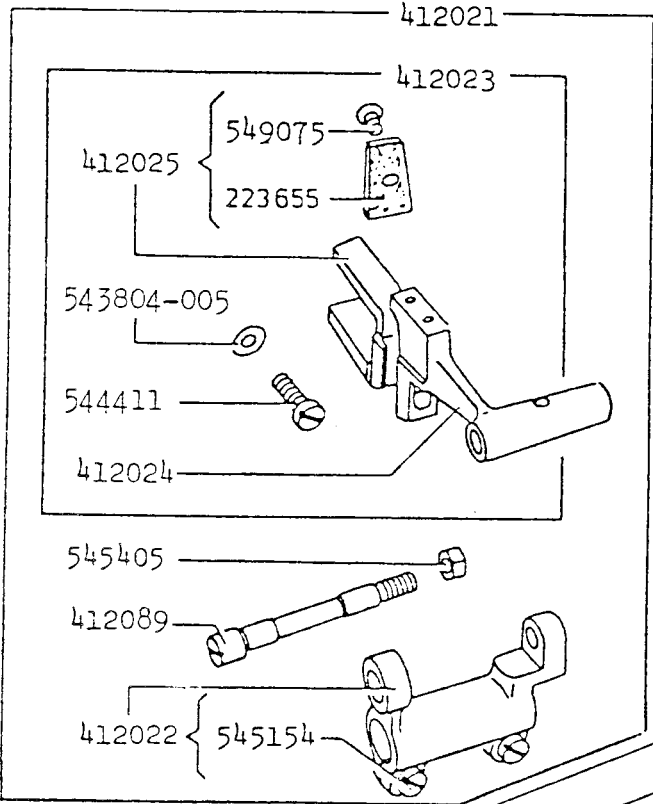
545094 — [part]

412090 — [part]

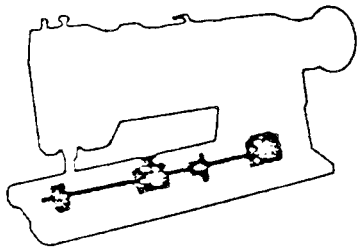
544351 — [part]

544336 — [part]

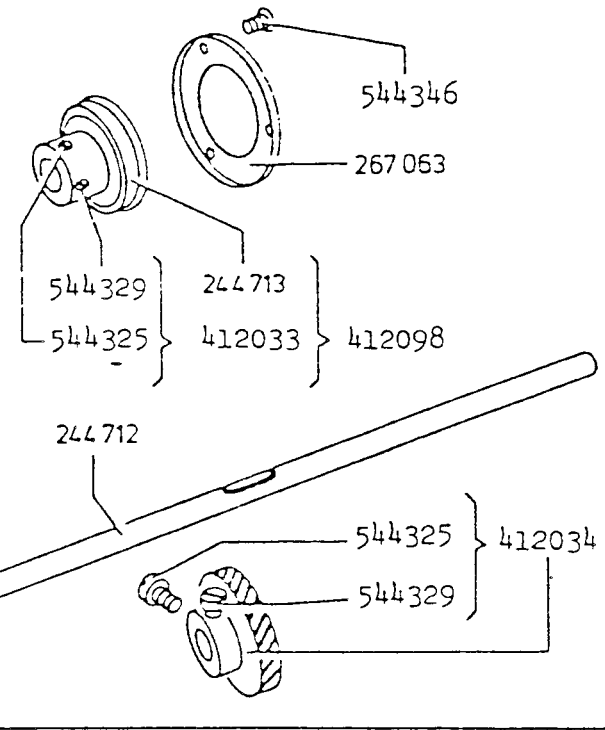
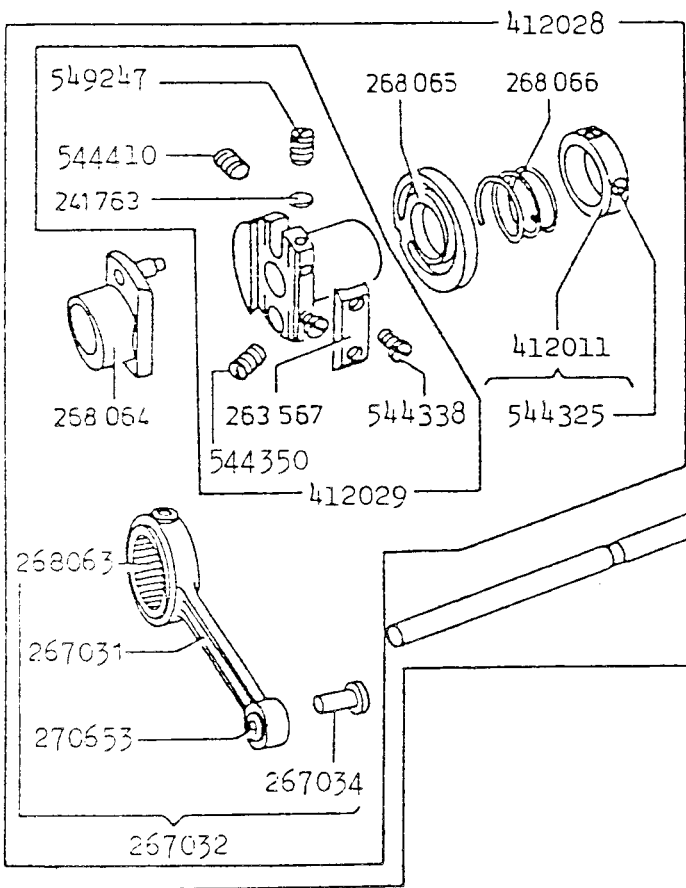
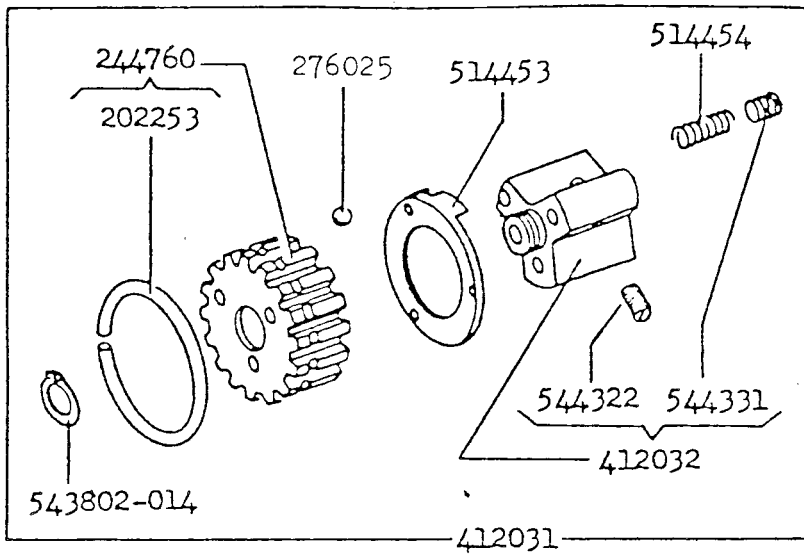
515724



No.	212U141A 442A 212U157A 165A 166A 566A	Description
154780	* * * * *	Feed Driving Rock Shaft Stop Collar Set Screw (4)
223655	* * * * *	Feed Lifting Eccentric Fork Oiling Felt
240147	- - - * * *	Feed Dog
264510	- - - * * *	Feed Dog (Optional)
412021	- - - * * *	Feed Driving Rock Frame Complete 412022, 412023, 412089, 545405
412022	* * * * *	Feed Driving Rock Frame with 545154 (2)
412023	- - - * * *	Feed Bar Complete 412024, 412025, 543804-005, 544411
412024	- - * * * *	Feed Bar
412025	- - - * * *	Feed Lifting Eccentric Fork with 223655, 549075
412026	* * * * *	Feed Lifting Eccentric with 544329
412027	- - - * - -	Feed Driving Rock Shaft Crank Complete 412090, 544336, 544351, 545094
412089	* * * * *	Feed Bar Hinge Screw
412090	- - - * - -	Feed Driving Rock Shaft Crank
508327	* * * * *	Feed Driving Rock Shaft Stop Collar (2) with 154780
515724	- - - * * *	Feed Driving Rock Shaft
543804-005	* * * * *	Feed Lifting Eccentric Fork Screw Washer
544329	* * * * *	Feed Lifting Eccentric Set Screw
544336	- - - * - -	Feed Driving Eccentric Connection Hinge Stud Screw
544351	- - - * - -	Feed Driving Rock Shaft Crank Pinch Screw
544399	* * * * *	Feed Dog Screw (2)
544411	* * * * *	Feed Lifting Eccentric Fork Screw
545094	- - - * - -	Feed Driving Rock Shaft Crank Position Screw
545154	* * * * *	Feed Driving Rock Frame Pinch Screw (2)
545405	* * * * *	Feed Bar Hinge Screw Nut
549075	* * * * *	Feed Lifting Eccentric Fork Oiling Felt Screw



- 267245 — [Screw]
- 270026 — [Spring]
- 240245 — [Washer]

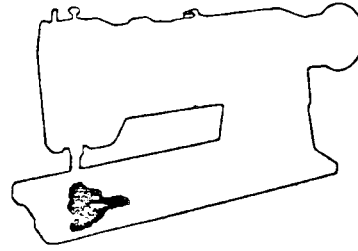


No.	212U141A 442A 212U157A 165A 166A 566A	Description
202253	* * * * *	Safty Clutch Belt Pulley Spring
240245	* * * * *	Feed Regulating Stud Retaining Spring
241763	* * * * *	Feed Driving Eccentric Friction Plate Screw Set Screw Packing (brass) (2)
244712	- - * * * *	Hook Driving Shaft
244713	* * * * *	Hook Driving Shaft Ball Bearing
244760	- - * * * *	Safty Clutch Belt Pulley with 202253
263567	* * * * *	Feed Driving Eccentric Friction Plate
267031	- - - * - -	Feed Driving Eccentric Connection
267032	- - - * - -	Feed Driving Eccentric Connection Complete 267031, 267034 268063, 270653
267034	- - - * - -	Feed Driving Eccentric Connection Hinge Stud
267063	* * * * *	Hook Driving Shaft Ball Bearing Retaining Washer
267245	* * * * *	Feed Regulating Stud
268063	* * * * *	Feed Driving Eccentric Connection Needle Bearing
268064	* * * * *	Feed Driving Eccentric
268065	* * * * - -	Feed Driving Eccentric Adjusting Disc
268066	* * * * *	Feed Driving Eccentric Adjusting Disc Spring
270026	* * * * *	Feed Regulating Stud Spring
270653	- - - * - -	Feed Driving Eccentric Connection Hinge Stud Needle Bearing
276025	- - * * * *	Safty Clutch Driving Ball (7/32 in Diameter) (3)
412011	* * * * - -	Feed Driving Eccentric Adjusting Disc Spring Collar with 544325 (2)
412028	- - - * - -	Feed Driving Eccentric Complete 268064, 268065, 268066, 412011, 412029
412029	* * * * - -	Feed Driving Flange with 241763 (2), 263567, 544338 (2), 544350, 544410, 549247 (2)
412031	- - * * * *	Safty Clutch Complete 244760, 276025(3), 412032 514453, 514454 (3), 543802-014
412032	- - * * * *	Safty Clutch Over Load Pulley with 544322 (2) 544331 (3)
412033	* * * * *	Hook Driving Shaft Ball Bearing Collar with 544325, 544329
412034	* * * * *	Hook Driving Gear with 544325, 544329
412098	* * * * *	Hook Driving Shaft Ball Bearing Collar Complete 244713, 412033
514453	- - * * * *	Safty Clutch Disc
514454	- - * * * *	Safty Clutch Driving Ball Spring (3)
543802-014	- - * * * *	Safty Clutch Over Load Pulley Retaining Ring
544322	- - * * * *	Safty Clutch Over Load Pulley Set Screw (2)
544325	* * * * *	Feed Driving Eccentric Adjusting Disc Spring Collar Set Screw (2)
544325	* * * * *	Hook Driving Shaft Ball Bearing Collar Set Screw
544325	* * * * *	Hook Driving Gear Set Screw
544329	* * * * *	Hook Driving Shaft Ball Bearing Collar Position Screw
544329	* * * * *	Hook Driving Gear Position Screw
544331	- - * * * *	Safty Clutch Over Load Pulley Adjusting Screw (3)
544338	* * * * *	Feed Driving Eccentric Friction Plate Screw (2)
544346	* * * * *	Hook Driving Shaft Ball Bearing Retaining Washer Screw (3)
544350	* * * * *	Feed Driving Flange Set Screw (1)
544410	* * * * *	Feed Driving Flange Position Screw
549247	* * * * *	Feed Driving Eccentric Friction Plate Screw Set Screw (2)

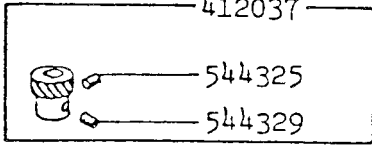
244750

225585

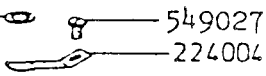
544334



412037



224022

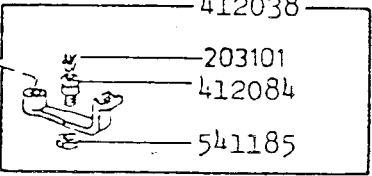


412035

202277

412086

545056



412038

203101

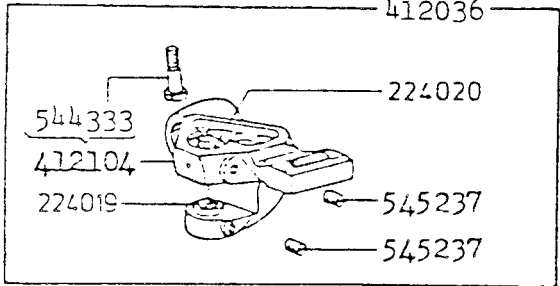
412084

541185

223623



412036



224020

544333

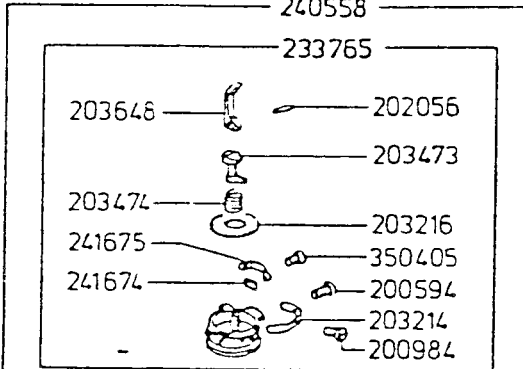
412104

224019

545237

545237

240558



233765

203648

202056

203473

20347L

203216

241675

350405

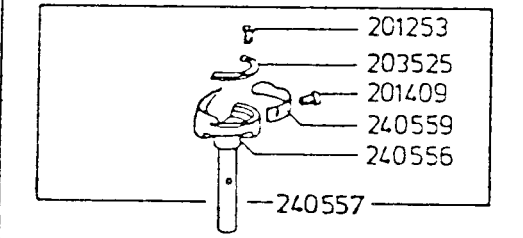
24167L

200594

203214

200984

201253



203525

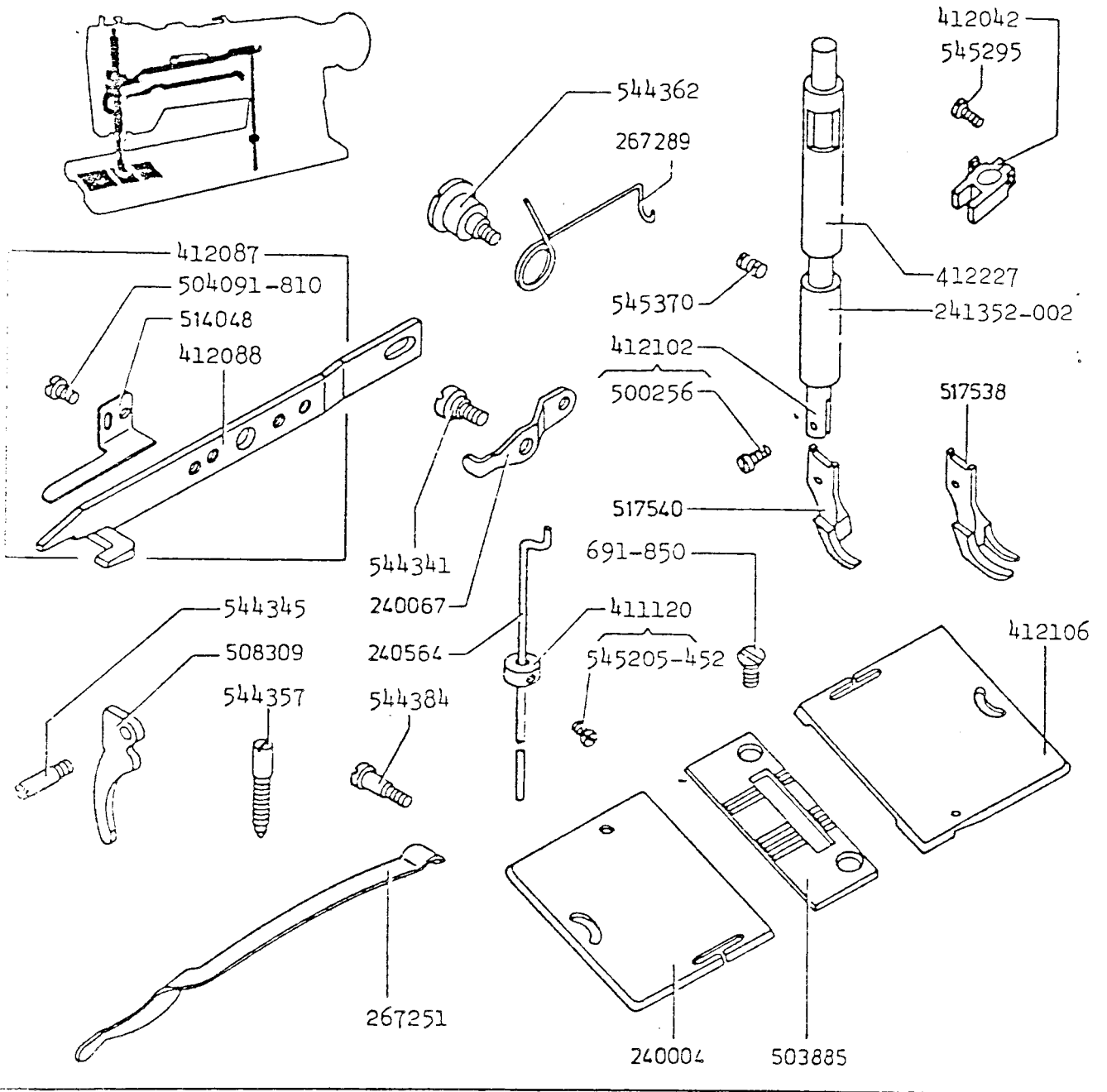
201409

240559

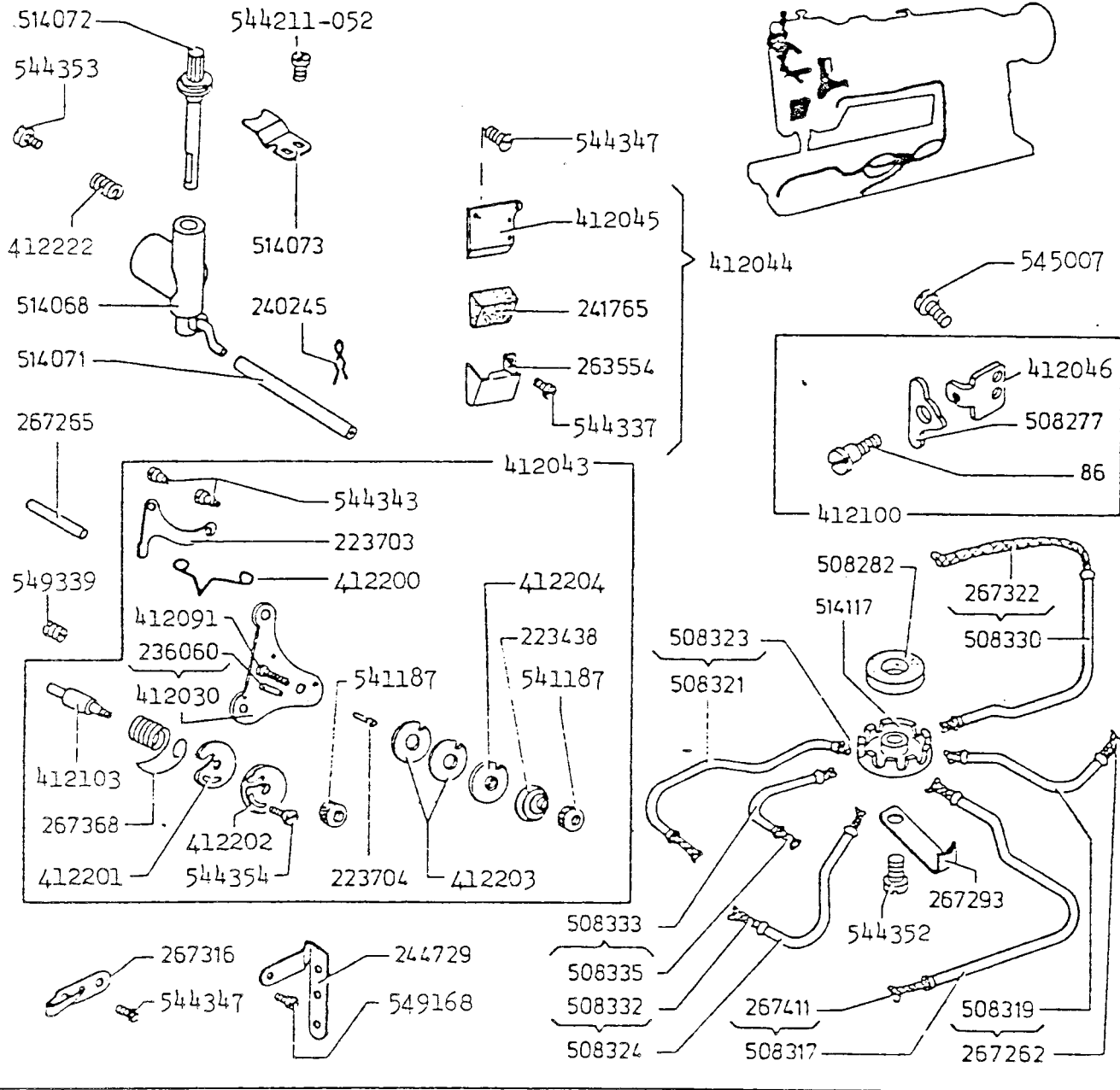
240556

240557

No.	212U141A 442A 212U157A 165A 166A 566A	Description
200594	* * * * *	Bobbin Case Tension Spring Screw
200984	* * * * *	Bobbin Case Tension Spring Regulating Screw
201253	* * * * *	Hook Gib Screw (2)
201409	* * * * *	Hook Needle Guard Screw (2)
202056	* * * * *	Bobbin Case Latch Pin
202277	- - - * *	Bobbin Case Opener Lever Hinge Stud Oil Packing Wick
203101	- - - * *	Bobbin Case Opener Lever Driving Screw Stud Oil Packing Wick
203214	- - * * *	Bobbin Case Tension Spring
203216	* * * * *	Bobbin Case Washer
203473	* * * * *	Bobbin Case Latch Planger
203474	* * * * *	Bobbin Case Latch Spring
203525	- - - * *	Hook Gib
203648	* * * * *	Bobbin Case Latch
223623	- - - * *	Bobbin Case Opener Lever Link
224004	- - - * *	Bobbin Case Opener
224019	- - - * *	Hook Bushing
224020	- - - * *	Hook Bushing (upper)
224022	- - - * *	Hook Driving Pinion Thrust Washer
225585	* * * * *	Hook Saddle Screw Washer
233765	- - - * *	Bobbin Case with 200594, 200984, 202056, 203214, 203216, 203473, 203474, 203648, 241674, 241675, 350405 (2)
240556	- - - * *	Hook Body
240557	- - - * *	Hook Complete 201253 (2), 201409 (2), 203525, 240556, 240559
240558	- - - * *	Hook and Bobbin Case Complete 233765, 240557
240559	- - - * *	Hook Needle Guard
241674	- - * * *	Bobbin Case Oiling Felt
241675	- - * * *	Bobbin Case Oiling Felt Retainer
244750	* * * * *	Bobbin
350405	- - * * *	Bobbin Case Oiling Felt Retainer Screw (2)
412035	- - - * *	Hook Saddle Complete 223623, 224004, 224022, 240558 412036, 412037, 412038, 412086, 545056 549027
412036	- - - * *	Hook Saddle Complete 224019, 224020, 412104, 545237(2)
412037	- - - * *	Hook Driving Pinion with 544325, 544329
412038	- - - * *	Bobbin Case Opener Lever with 203101, 412084, 541185
412084	- - - * *	Bobbin Case Opener Lever Driving Screw Stud
412086	- - - * *	Bobbin Case Opener Lever Hinge Stud
412104	- - - * *	Hook Saddle with 544333
541185	- - - * *	Bobbin Case Opener Lever Driving Screw Stud Nut
544325	- - - * *	Hook Driving Pinion Set Screw
544329	- - - * *	Hook Driving Pinion Position Screw
544333	- - - * *	Hook Saddle Pinch Screw
544334	* * * * *	Hook Saddle Screw
545056	- - - * *	Bobbin Case Opener Lever Hinge Stud Set Screw
545237	- - - * *	Hook Bushing (lower) Set Screw
545237	- - - * *	Hook Bushing (upper) Position Screw
549027	* * * * *	Bobbin Case Opener Screw



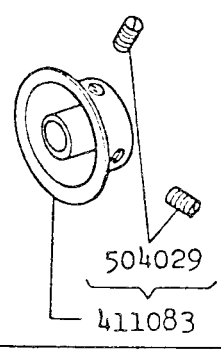
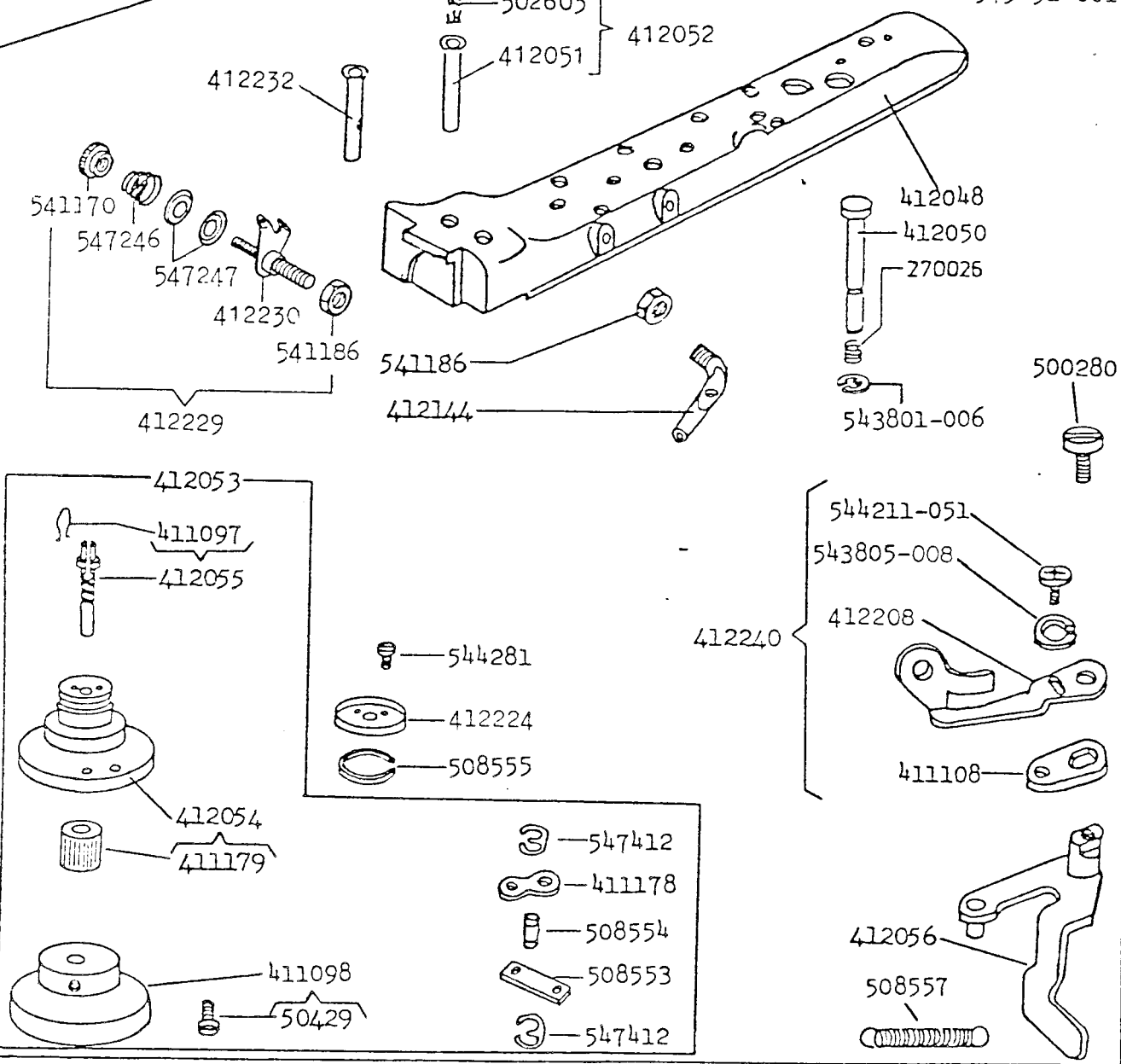
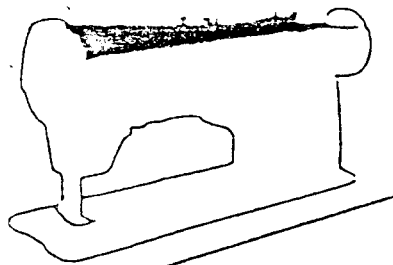
No.	212U141A 442A 212U157A 165A 166A 566A	Description
691-850	* * * * *	Throat Plate Screw (2)
240004	- - * * * *	Bed Slide (front)
240067	* * * * *	Knee Lifter Connection Lever
240564	* * * * *	Knee Lifter Connection Lever Lifting Rod
241352-002	- - - * * *	Presser Bar Bushing (lower)
267251	* * * * *	Presser Bar Spring (flat)
267289	* * * * *	Knee Lifter Lifting Lever Return Spring
411120	* * * * *	Knee Lifter Connection Lever Lifting Rod Stop Collar with 545205-452
412042	- - - * * *	Presser Bar Spring Bracket with 545295
412087	- - - * * *	Knee Lifter Lifting Lever with 412088, 504091-810, 514048
412088	- - - * * *	Knee Lifter Lifting Lever
412102	* * * * *	Presser Bar with 500256
412106	- - * * * *	Bed Slide (back)
412227	- - - * * *	Presser Bar Bushing (upper)
500256	* * * * *	Lifting Presser Foot Screw
503885	- - - * * *	Throat Plate
504091-810	- - - * * *	Tension Release Actuating Spring Screw
508309	- - - * * *	Presser Bar Lifter
514048	- - - * * *	Tension Release Actuating Spring
517538	- - - * * *	Lifting Presser Foot
517540	- - - * - -	Lifting Presser Foot (Optional)
544341	* * * * *	Knee Lifter Connection Lever Hinge Screw
544345	* * * * *	Presser Bar Lifter Hinge Screw
544357	* * * * *	Presser Bar Spring Regulating Screw
544362	* * * * *	Knee Lifter Lifting Lever Pinch Screw
544384	* * * * *	Presser Bar Spring Support Screw
545205-452	* * * * *	Knee Lifter Connection Lever Lifting Rod Stop Collar Set Screw
545295	* * * * *	Presser Bar Spring Bracket Pinch Screw
545370	* * * * *	Presser Bar Bushing (lower) Set Screw



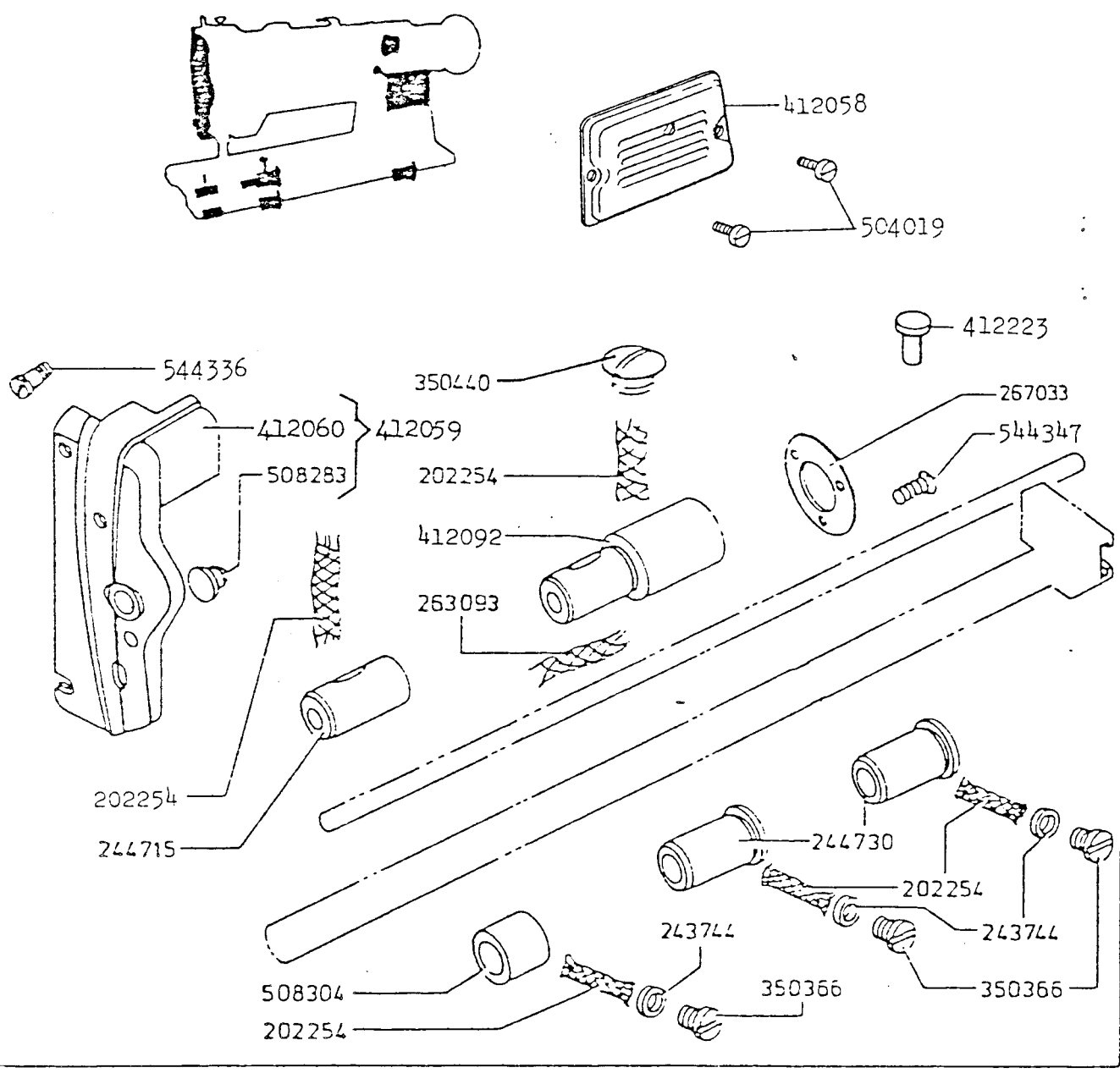
211U165A -8-

No.	212U141A	422A	212U157A	165A	166A	566A	Description
86	-	-	-	*	*	*	Tension Release Bell Crank Hinge Screw
223438	-	-	-	*	*	*	Tension Spring
223703	*	*	*	*	*	*	Tension Release Lever
223704	*	*	*	*	*	*	Tension Release Plunger
236060	*	*	*	*	*	*	Tension Disc Position Pin
240245	-	-	-	*	*	*	Thread Lubricating Reservoir Oil Tube Clamp
241765	-	-	-	*	*	*	Thread Lubricator Oil Pad (felt)
244729	-	-	-	*	*	*	Thread Retainer
263554	-	-	-	*	*	*	Thread Lubricator Oil Pad Holder
267262	-	-	-	*	*	*	Feed Driving Rock Shaft Bushing Oil Tube Wick
267265	*	*	*	*	*	*	Tension Release Lever Rod
267293	*	*	*	*	*	*	Bed Oil Tube Clamp
267316	-	-	-	*	*	*	Thread Guide
267322	*	*	*	*	*	*	Bed Oil Supply Tube Oil Wick

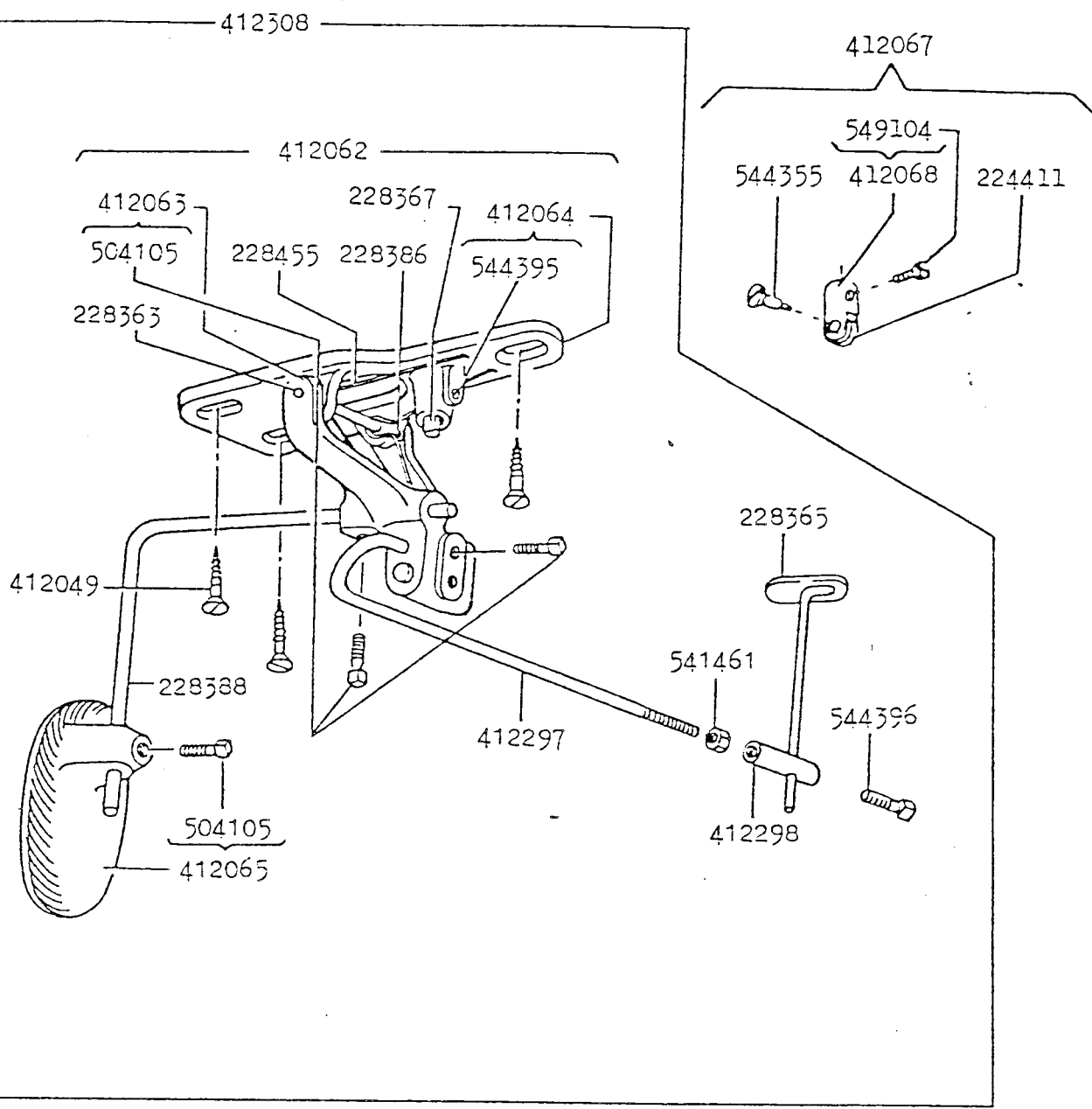
No.	212U141A 442A 212U157A 165A 166A 566A	Description
267368	* * * * *	Thread Controller Spring
267411	* * * * *	Feed Driving Rock Shaft Bushing Oil Tube Wick
412030	- - * * * *	Tension Bracket with 236060, 412091
412043	- - * * * *	Tension Bracket with 223438, 223703, 223704, 267368, 412030, 412103, 412200, 412201, 412202, 412203, 412204, 541187 (2), 544343 (2), 544354 (2)
412044	- - * * * *	Thread Lubricator Oil Pad Holder Complete 241765, 263554, 412045, 544337 (2)
412045	- - * * * *	Thread Lubricator Plate
412046	- - - * * *	Tension Release Bracket
412091	* * * * *	Tension Stud
412100	- - - * * *	Tension Release Bracket with 86, 412046, 508277
412103	* * * * *	Thread Controller Stud
412200	* * * * *	Tension Release Lever Spring
412201	* * * * *	Thread Controller Spring Stop
412202	* * * * *	Thread Controller Disc
412203	* * * * *	Tension Disc (2)
412204	* * * * *	Tension Release Washer
412222	- - - * * *	Thread Lubricating Reservoir Clamping Spring
508277	- - - * * *	Tension Release Bell Crank
508282	* * * * *	Bed Oil Tube Clamp Oiling Felt
508317	- - * * * *	Feed Driving Rock Shaft Bushing Oil Tube with 267411
508319	- - * * * *	Feed Driving Rock Shaft Bushing Oil Tube with 267262
508321	- - * * * *	Hook Driving Shaft Bearing Left Oil Tube with 508323
508323	- - * * * *	Hook Driving Shaft Bearing Left Oil Tube Wick
508324	- - * * * *	Hook Saddle Bearing Oil Tube with 508332
508330	- - * * * *	Bed Oil Supply Tube With 267322
508332	- - * * * *	Hook Saddle Bearing Oil Tube Wick
508333	- - * * * *	Feed Driving Eccentric Connection Oil Tube With 508335
508335	- - * * * *	Feed Driving Eccentric Connection Oil Tube Wick
514068	- - - * * *	Thread Lubricating Reservoir
514071	- - - * * *	Thread Lubricating Reservoir Oil Tube
514072	- - - * * *	Thread Lubricating Reservoir Stud
514073	- - - * * *	Thread Lubricating Regulator Spring
514117	* * * * *	Bed Oil Tube Clamp
541187	* * * * *	Tension Thumb Nut (2)
544211-052	- - - * * *	Thread Lubricating Regulator Spring Set Screw (2)
544337	- - * * * *	Thread Lubricator Oil Pad Holder Screw (2)
544343	* * * * *	Tension Release Lever Hinge Stud (2)
544347	- - * * * *	Thread Lubricator Plate Screw (2)
544347	* * * * *	Thread Guide Screw
544352	* * * * *	Bed Oil Tube Clamp Screw
544353	- - - * * *	Thread Lubricating Reservoir Clamping Spring Screw
544354	- - * * * *	Thread Controller Disc Screw
545007	- - - * * *	Tension Release Bracket Screw (2)
549168	* * * * *	Thread Retainer Screw
549339	* * * * *	Tension Controller Stud Set Screw



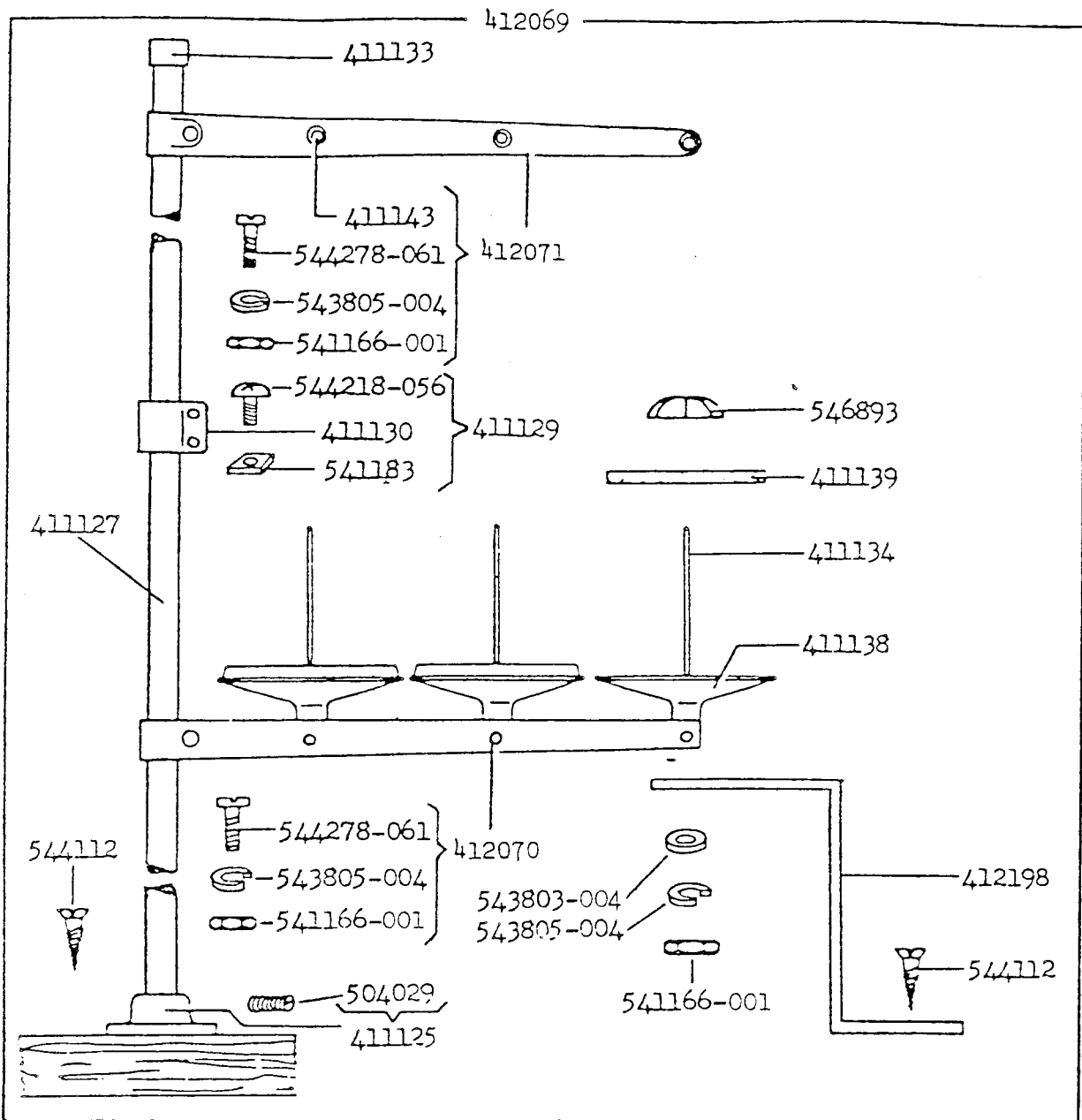
No.	212U141A 442A 212U157A 165A 166A 566A	Description
50429	* * * * *	Bobbin Winder Shaft Friction Wheel Set Screw (2)
270026	- - - * * *	Presser Bar Lifting Regulating Stud Spring
411083	* * * * *	Bobbin Winder Driving Wheel with 504029
411097	* * * * *	Bobbin Snap Spring
411098	* * * * *	Bobbin Winder Shaft Friction Wheel with 504029
411108	* * * * *	Bobbin Winder Shaft Bushing (Ecc.) Trip Lever (Short)
411178	* * * * *	Bobbin Winder Bushing (Ecc.) Connection Lever
411179	* * * * *	Bobbin Winder Shaft Bushing (Ecc.) Bearing
412047	- - - * * *	Arm Cover (Top) Complete 270026, 412048, 412050, 412052, 412053, 412056, 412144, 412224, 412229, 412232, 412240, 500280, 502832, 508555, 508557, 541186, 543801-006, 543831-001, 543832-001, 544281
412048	- - - * * *	Arm Cover (Top)
412050	- - - * * *	Presser Bar Lifting Regulating Stud
412051	- - - * * *	Arm Cover (Top) Oil Pipe
412052	- - - * * *	Arm Cover (Top) Oil Pipe Complete 412051, 502603
412053	* * * * *	Bobbin Winder Shaft Bushing (Ecc.) Complete 411098, 411178, 412054, 412055, 508553, 508554, 547412
412054	* * * * *	Bobbin Winder Shaft Bushing (Ecc.) with 411179
412055	* * * * *	Bobbin Winder Shaft with 411097
412056	* * * * *	Bobbin Winder Bushing (Ecc.) Rocking Lever with
412144	* * * * *	Thread Guide-(Arm Top Cover)
412208	* * * * *	Bobbin Winder Shaft Bushing (Ecc.) Trip Lever (Long)
412224	* * * * *	Bobbin Winder Bushing (Ecc.) Thread Guard
412229	* * * * *	Bobbin Winder Tension Complete 412230, 541170, 541186, 547246, 547247
412230	* * * * *	Bobbin Winder Tension Stud with 547245-900
412232	- - - * * *	Arm Cover (Top) Oil Pipe
412240	* * * * *	Bobbin Winder Shaft Bushing (Ecc.) Trip Lever Complete 411108, 412208, 543805-008, 544211-051
500280	* * * * *	Bobbin Winder Shaft Bushing (Ecc.) Trip Lever Cap Screw
502603	- - - * * *	Arm Cover (Top) Oil Pipe Wick
502832	* * * * *	Arm Cover (Top) Plug
504029	* * * * *	Bobbin Winder Driving Wheel Set Screw (2)
508553	* * * * *	Bobbin Winder Bushing (Ecc.) Spring Shackle
508554	* * * * *	Bobbin Winder Bushing (Ecc.) Link Stud
508555	* * * * *	Bobbin Winder Bushing (Ecc.) Snap Ring
508557	* * * * *	Bobbin Winder Bushing (Ecc.) Spring
541170	* * * * *	Bobbin Winder Tension Nut
541186	* * * * *	Thread Guide (Arm Top Cover) Lock Nut
541186	* * * * *	Bobbin Winder Tension Lock Nut
543801-006	- - - * * *	Presser Bar Lifting Regulating Stud Retaining Washer
543805-008	* * * * *	Bobbin Winder Shaft Bushing (Ecc.) Trip Lever Screw Washer
543831-001	* * * * *	Bobbin Winder Bushing (Ecc.) Rocking Lever Stop Pin
543832-001	* * * * *	Bobbin Winder Shaft Bushing (Ecc.) Coil Spring Stud
544211-051	* * * * *	Bobbin Winder Shaft Bushing (Ecc.) Trip Lever Screw
544281	* * * * *	Bobbin Winder Shaft Bushing (Ecc.) Thread Guard Screw (2)
544336	* * * * *	Arm Cover (Top) Screw (6)
547246	* * * * *	Bobbin Winder Tension Spring
547247	* * * * *	Bobbin Winder Tension Disc (2)
547412	* * * * *	Bobbin Winder Shaft Bushing (Ecc.) Link Lock Washer (2)



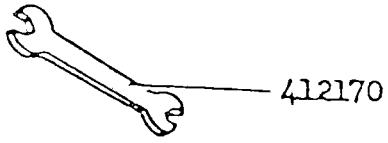
No.	212U141A 442A 212U157A 165A 166A 566A	Description
202254	* * * * *	Bed Oil Wick (5)
243744	* * * * *	Bed Oil Stop Screw Gasket (3)
244715	- - * * *	Hook Driving Shaft Bushing (Left)
244730	* * * * *	Feed Driving Rock Shaft Bushing (Center and Back) (2)
263093	* * * * *	Bed Oil Wick
267033	* * * * *	Feed Driving Eccentric Connection Friction Washer
350366	* * * * *	Bed Oil Stop Screw (3)
350440	* * * * *	Bed Oil Screw
412058	* - * * *	Arm Cover (Side)
412059	- - - * *	Face Plate Complete 412060, 508283
412060	- - - * *	Face Plate Body
412092	- - * * *	Hook Driving Shaft Bushing (Center)
412223	- - - * -	Bed Oil Hole Cap
504019	* * * * *	Arm Cover (Side) Screw (2)
508283	* - - * *	Face Plate Plug
508304	* * * * *	Feed Driving Rock Shaft Bushing (Front)
544336	- - - * *	Face Plate Screw (2)
544347	* * * * *	Feed Driving Eccentric Connection Friction Washer Screw (3)



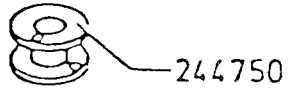
No.	212U141A 442A 211U157A 165A 166A 566A	Description
224411	* * * * *	Knee Lifter Connection Lever Lifting Rod Roller
228363	* * * * *	Knee Lifter Rock Lever Hinge Pin
228365	* * * * *	Knee Lifter Rock Lever Rod
228367	* * * * *	Knee Lifter Rock Lever Stop Stud
228386	* * * * *	Knee Lifter Rock Lever Spring
228388	* * * * *	Knee Lifter Rock Lever Knee Plate Arm
228455	* * * * *	Knee Lifter Rock Lever Position Spring
412049	* * * * *	Wood Screw (3)
412062	* * * * *	Knee Lifter Rock Lever Bracket complete 228363, 228367, 228386, 228455, 412063, 412064
412063	* * * * *	Knee Lifter Rock Lever with 504105 (2)
412064	* * * * *	Knee Lifter Rock Lever Bracket with 544395
412065	* * * * *	Knee Lifter Rock Lever Knee Plate with 504105
412067	* * * * *	Knee Lifter Connection Lever Lifting Rod Roller complete 224411, 412068, 544355
412068	* * * * *	Knee Lifter Connection Lever Lifting Rod Roller Bracket with 549104
412296	* * * * *	Knee Lifter Rock Lever Extension complete 412297, 412298, 544396
412297	* * * * *	Knee Lifter Rock Lever Extension
412298	* * * * *	Knee Lifter Rock Lever Holder
412308	* * * * *	Knee Lifter Rock Lever complete 228365, 228388, 412049 (3), 412062, 412065, 412296
504105	* * * * *	Knee Lifter Rock Lever Extension Set Screw
504105	* * * * *	Knee Lifter Rock Lever Knee Plate Arm Set Screw
504105	* * * * *	Knee Lifter Rock Lever Knee Plate Set Screw
541461	* * * * *	Knee Lifter Rock Lever Holder Lock Nut
544355	* * * * *	Knee Lifter Connection Lever Lifting Rod Roller Hinge Screw
544395	* * * * *	Knee Lifter Rock Lever Stop Stud Set Screw
544396	* * * * *	Knee Lifter Rock Lever Rod Set Screw
549104	* * * * *	Knee Lifter Connection Lever Lifting Rod Roller Pinch Screw



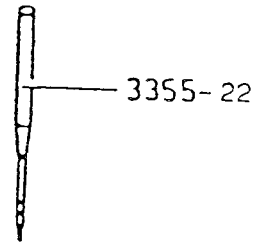
No.	212U141A 442A 212U157A 165A 166A 566A	Description
411125	* * * * *	Thread Unwinder Foot With 504029
411127	* * * * *	Thread Unwinder Rod (2)
411129	* * * * *	Thread Unwinder Rod Connection Complete 411130, 541183, 544218-056
411130	* * * * *	Thread Unwinder Rod Connection (2)
411133	* * * * *	Thread Unwinder Rod Cap
411134	* * * * *	Thread Unwinder Spool (3)
411138	* * * * *	Thread Unwinder Spool Carrier Plate (3)
411139	* * * * *	Thread Unwinder Spool Cushion (3)
411143	* * * * *	Thread Unwinder Thread Guide Bushing (3)
412069	* * * * *	Thread Unwinder Complete 411125, 411127, 411129, 411133, 411134, 411138, 411139, 412070, 412071, 412198, 541166-001, 543803-004, 543805-004, 544112, 546893
412070	* * * * *	Thread Unwinder Spool Carrier Arm With 541166-001, 543805-004, 544278-061
412071	* * * * *	Thread Unwinder Thread Guide With 411143, 541166-001, 543805-004, 544278-061
412198	* * * * *	Thread Unwinder Spool Carrier Arm Holder Plate
504029	* * * * *	Thread Unwinder Rod Set Screw (2)
541166-001	* * * * *	Thread Unwinder Spool Nut (3)
541166-001	* * * * *	Thread Unwinder Spool Carrier Arm Screw Nut
541166-001	* * * * *	Thread Unwinder Thread Guide Nut
541183	* * * * *	Thread Unwinder Rod Connection Screw Nut (2)
543803-004	* * * * *	Thread Unwinder Spool Washer (3)
543805-004	* * * * *	Thread Unwinder Spool Spring Washer (3)
543805-004	* * * * *	Thread Unwinder Spool Carrier Arm Screw Spring Washer
543805-004	* * * * *	Thread Unwinder Thread Guide Spring Washer (3)
544112	* * * * *	Thread Unwinder Wood Screw (3)
544112	* * * * *	Thread Unwinder Spool Carrier Arm Holder Plate Wood Screw
544218-056	* * * * *	Thread Unwinder Rod Connection Screw (2)
544278-061	* * * * *	Thread Unwinder Spool Carrier Arm Screw
544278-061	* * * * *	Thread Unwinder Thread Guide Screw
546893	* * * * *	Thread Unwinder Spool Holder (3)



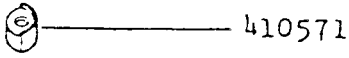
412170



244750



3355-22



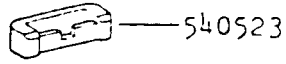
410571



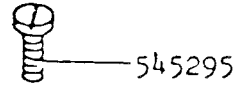
540522



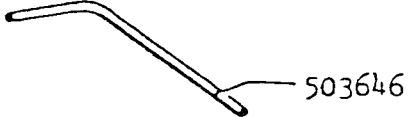
410570



540523



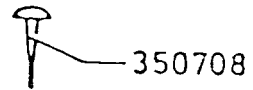
545295



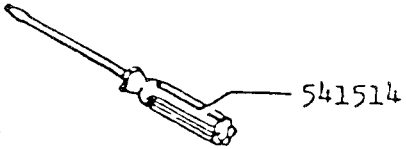
503646



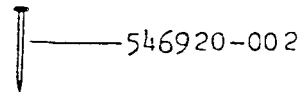
544361



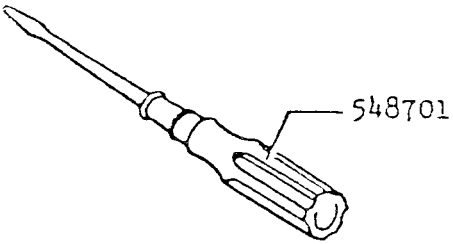
350708



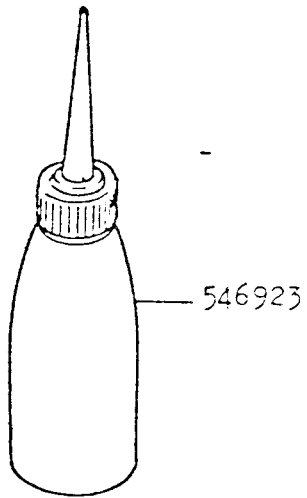
541514



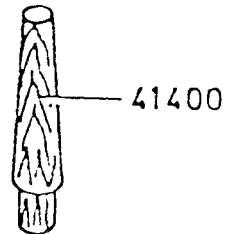
546920-002



548701



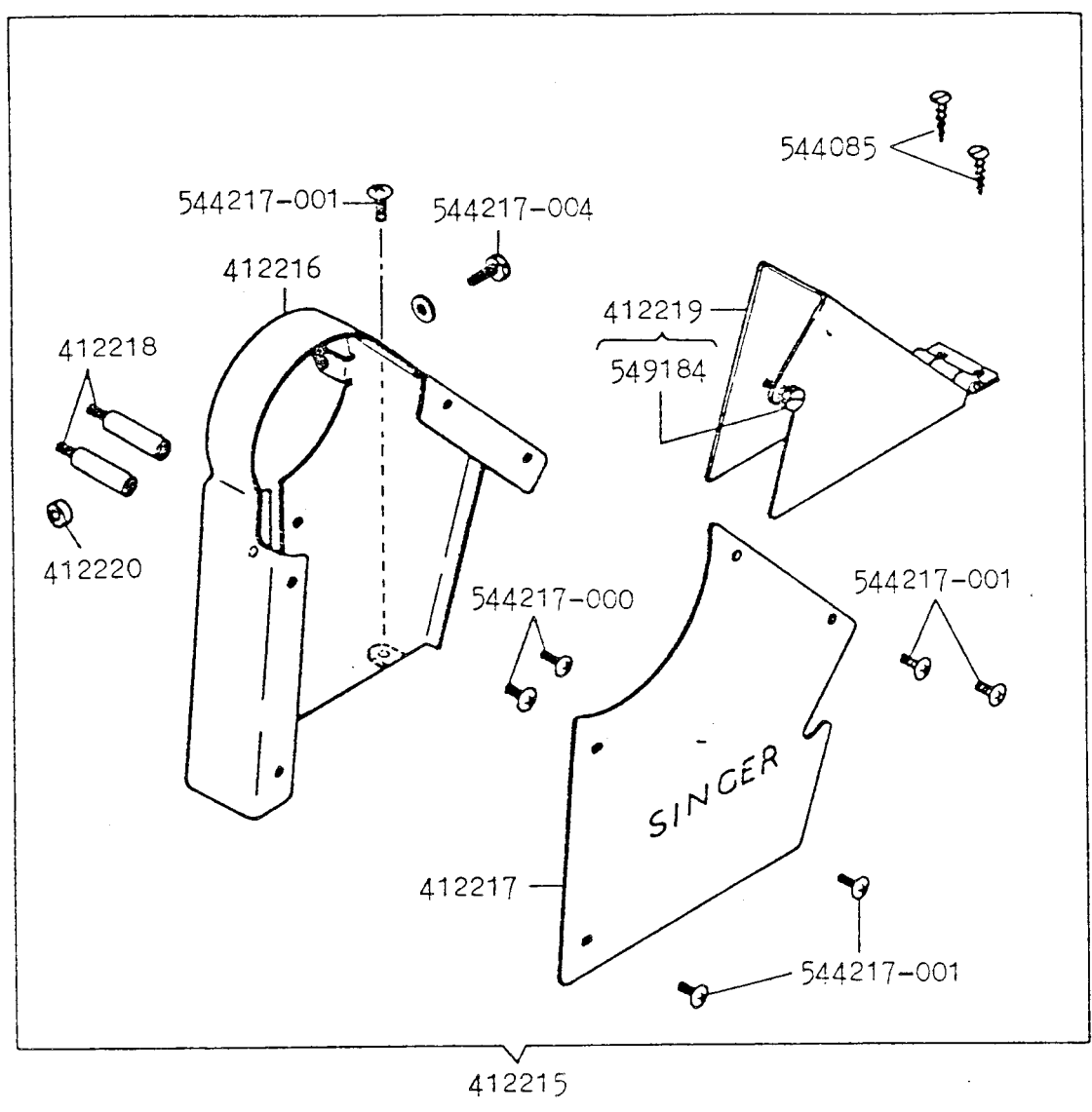
546923



41400

No.	212U141A 442A 212U157A 165A 166A 566A	Description
3355-22	- - - * * *	Needle (5)
41400	* * * * * *	Machine Rest Pin (wood)
244750	* * * * * -	Bobbin (2)
350708	* * * * * *	Drip Pan Screw Nail (7)
410570	* * * * * *	Machine Rest (front) (2)
410571	* * * * * *	Machine Rest (back) (2)
412170	* * * * * *	Wrench
503646	* * * * * *	Wrench (3/32 inch, Hexagon)
540522	- - * * * *	Machine Hinge Connection (2)
540523	* * * * * *	Machine Hinge Connection Cushion (2)
541514	* * * * * *	Screw Driver
544361	- - * * * *	Bed Slide Thumb Screw
545295	* * * * * *	Attachment Screw
546920-002	* * * * * *	Nail (4)
546923	- - - * * *	Oiler (130cc, A Type)
548701	* * * * * *	Screw Driver

OPTIONAL PARTS



No.	212U141A 422A 212U157A 165A 166A 566A	Description
<u>OPTION</u>		
412215	* * * * *	Belt Guard Cpl. 412216, 412217, 412218 (2), 412219, 412220, 544085 (2), 544217-001 (7), 544217-004
412216	* * * * *	Belt Guard
412217	* * * * *	Belt Guard Plate
412218	* * * * *	Belt Guard Screw Stud (2)
412219	* * * * *	Belt Guard (lower) with 549184
412220	* * * * *	Belt Guard Screw Collar
544085	* * * * *	Belt Guard (lower) Wood Screw (2)
544217-001	* * * * *	Belt Guard Screw (3)
544217-001	* * * * *	Belt Guard Plate Screw (4)
544217-004	* * * * *	Belt Guard Screw (long)
549184	* * * * *	Belt Guard (lower) Thumb Screw

Form U 3375
Part No. 409774-002
Printed in Japan