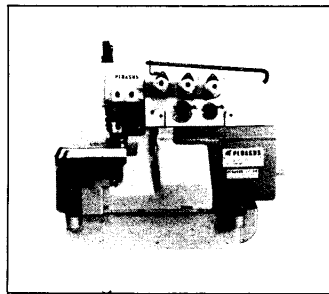


PEGASUS®

INDUSTRIAL SEWING MACHINE

PARTS LIST
MODEL E52



IN ORDERING PARTS

This book has been arranged to simplify ordering repair parts for E52 series machines on the basis of type E52-210.

All individual parts illustrations and lists are prepared as facing pages. The illustration shows the exploded view of each mechanism in E52. The parts list reads from left to right; Reference Number, Part Number, Part Name, Screwing Torque if necessary, and the number of pieces required.

The screwing torque listed in the column of 'Torque' represents the correct torque when the screw is tightened for repair or adjustments.

Organization parts, whose numbers are marked with ① are again arranged in the organization parts construction chart in Pages 36-45 and also listed in page 46.

In addition, the specific parts other than the organization parts, whose numbers are shown with ③, are again listed in page 47.

The parts, whose numbers are shown with ②, are the assembly consisting of two or more parts.

In ordering parts from this book, use only the part number in the second column.

Reference number should never be used in ordering parts. This book covers April, 1978 lot machines and is applicable to your machine subject to change without notice.

E series machines have some parts of the same shape but the different collar. They are identified by suffixing two Alphabetical letters to the part number. In ordering these parts, please specify as shown in the list, e.g., 210219-HD (page 3, Ref. No. 4).

TABLE OF CONTENTS

| | Page |
|--|-------|
| Machine bed frame | 2-3 |
| (1) Covers | 4-5 |
| (2) Covers | 6-7 |
| Crankshaft drive mechanism | 8-9 |
| (1) Needle drive mechanism | 10-11 |
| <hr/> | |
| (2) Needle drive mechanism | 12-13 |
| Upper looper drive mechanism | 14-15 |
| Lower looper drive mechanism | 16-17 |
| (1) Feed mechanism | 18-19 |
| (2) Feed mechanism | 20-21 |
| <hr/> | |
| Knife drive mechanism | 22-23 |
| Presser foot mechanism | 24-25 |
| Lubricating mechanism | 26-27 |
| H.R. device | 28-29 |
| Thread stand | 30-31 |
| <hr/> | |
| Parts for semi-submerged installation | 32-33 |
| Accessories | 34-35 |
| Attachments | 34-35 |
| Organization construction charts | 36-45 |
| List of organization parts | 46-47 |
| <hr/> | |
| Needle size reference | 47 |
| List of specific parts | 48 |
| List of the component parts for main feed dog complete | 48 |
| Page for manufacturer's only | 49 |
| E series machine classification | 50 |
| <hr/> | |
| Numerical index of part numbers | 52-55 |

パーツリストご利用に際して

このパーツリストは、E52-210を基にE52シリーズミシンの修理用部品を容易にご利用頂けるよう編集されています。

機構別に各頁に収録され、部品図解の反対頁には、参照番号、部品番号、名称、締付トルク、使用数量の順で記載されています。

締付トルク欄に表示したトルクは、E52シリーズに使用されている個々のネジについて、最も適した締付力を示しています。修理等の場合は、各々のネジに適したトルクで締付けて下さい。

①の付された部品は、ゲージパーツです。その系列構成図は36～45頁に、又一覧表は46頁に記載しています。

さらに、E52シリーズ各機種に使用されているゲージパーツ以外の専用部品は、その部品番号の左に③を付し、47頁に一括表記しています。

②の付された部品は、複数の部品が組合された部品を示します。

51～52頁には、部品番号インデックスを付し、部品番号のみで、その図解、名称などが容易に引き出せます。

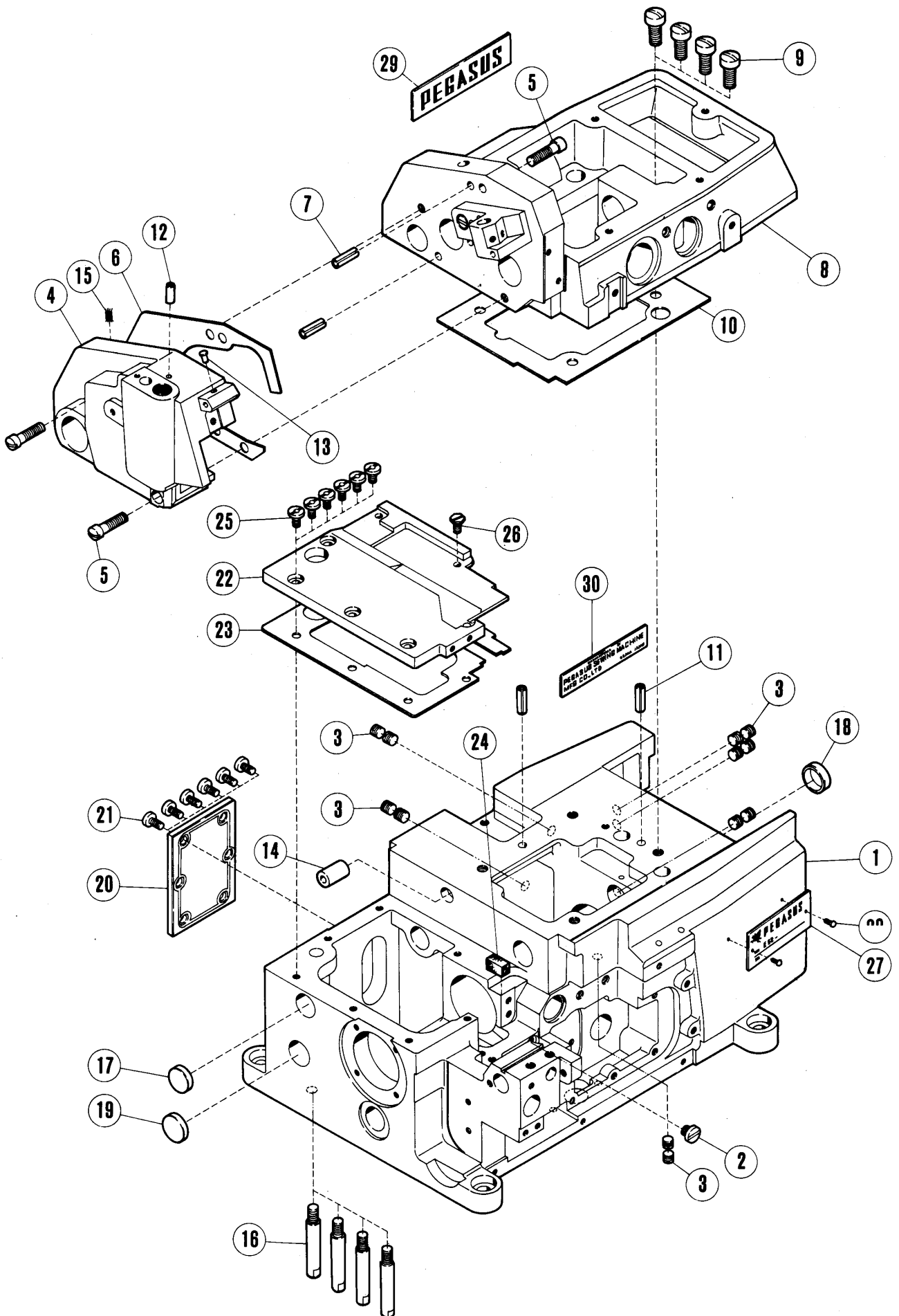
このパーツリストに基き、部品をご注文の場合は、参照番号は使用せず、必ず部品番号を明示して下さい。

このパーツリストは、1978年4月現在製造中のミシンを基に作成しています。

部品番号の末尾に、-④⑤と表示している部品は、同形状で着色のみ異なる場合の色別区分です。該当部品をご注文の場合は、パーツリストに記載している通り明示してください。(例：3頁、参照番号4、210219-HD)

目次

| | 頁 |
|-----------------------|-------|
| アームベッド機構 | 2-3 |
| カバー機構(1) | 4-5 |
| カバー機構(2) | 6-7 |
| クランクシャフト機構 | 8-9 |
| (1) 針振り機構 | 10-11 |
| <hr/> | |
| (2) 針振り機構 | 12-13 |
| 上ルーパー機構 | 14-15 |
| 下ルーパー機構 | 16-17 |
| 送り機構(1) | 18-19 |
| 送り機構(2) | 20-21 |
| <hr/> | |
| 上下メス機構 | 22-23 |
| 押エ機構 | 24-25 |
| 給油機構 | 26-27 |
| H.R.装置 | 28-29 |
| 糸立台 | 30-31 |
| <hr/> | |
| 据付付属品 | 32-33 |
| 付属品 | 34-35 |
| アタッチメント | 34-35 |
| ゲージパーツ系列構成図 | 36-45 |
| ゲージパーツ表 | 46-47 |
| <hr/> | |
| 針番手対照表 | 47 |
| 専用部品一覧表 | 48 |
| 主送り歯(組)一覧表 | 48 |
| 組部品一覧表 | 49 |
| Eシリーズ分類表示方法 | 51 |
| <hr/> | |
| 部品番号インデックス | 52-55 |

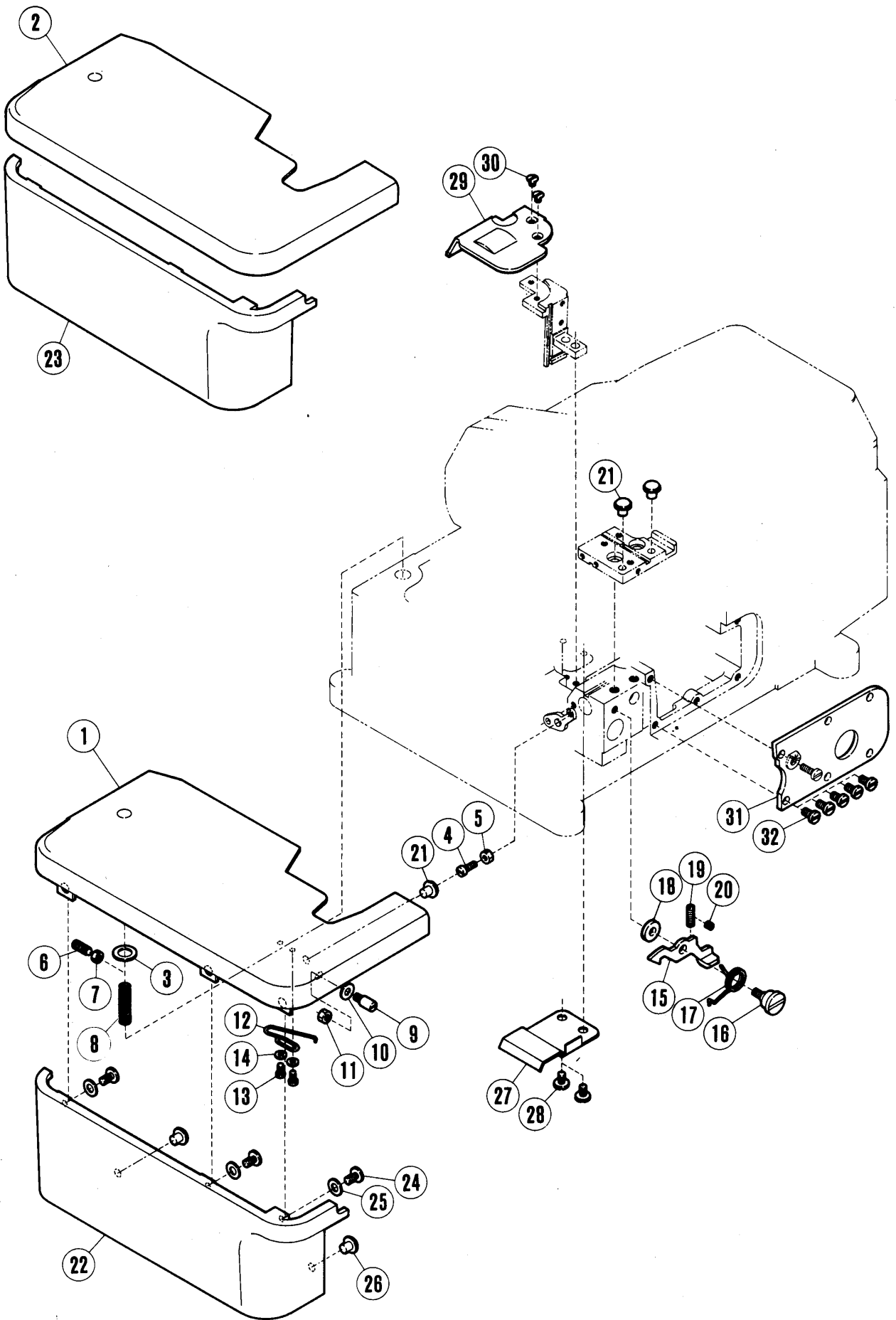


MACHINE BED FRAME

アーム・ベッド機構

| Ref. No. | Part No. | Name | | Torque | Qt. |
|----------|------------|----------------------------------|---------------|---------|-----|
| 参照番号 | 部品番号 | 名称 | | トルク | 数量 |
| 1 | 210217-FD | Machine bed | ベッド | | 1 |
| 2 | 5434 | oil hole plug screw (with head) | 油穴蓋ネジ(頭付) | | 1 |
| 3 | 2913-1 | " " " screw | " " (頭無) | | 12 |
| 4 | 210219-HD | Machine arm (left) | アーム(左) | | 1 |
| 5 | 5163 | screw | 止ネジ | | 3 |
| 6 | 210220 | gasket | パッキン | | 1 |
| 7 | 201002 | dowel pin | ノックピン | | 2 |
| 8 | ②210218-HD | Machine arm (right) | アーム(右) | | 1 |
| 9 | 5078 | screw | 止ネジ | | 4 |
| 10 | 210002 | gasket | パッキン | | 1 |
| 11 | 201002 | dowel pin | ノックピン | | 2 |
| 12 | 210528 | Needle holder guide bar oil pipe | 針止案内給油パイプ | | 1 |
| 13 | 192107-1 | Needle thread cover cushion | 針糸カバー当ゴム | | 1 |
| 14 | 210583 | Oil return pipe | 排油パイプ | | 1 |
| 15 | 202174 | oil wick | 油ヒモ | | 1 |
| 16 | 204006 | Machine bed bottom pin | ベッド足ピン | 25kg-cm | 4 |
| 17 | 208173 | Dead hole plug | 加工穴蓋(送り台案内軸用) | | 1 |
| 18 | 204828 | Dead hole plug | " (上メス台軸用) | | 1 |
| 19 | 210003 | Dead hole plug | " (送り軸用) | | 1 |
| 20 | ②210005 | Cover plate | 送り調節蓋 | | 1 |
| 21 | 5117 | screw | 止ネジ | 25kg-cm | 6 |
| 22 | 210008 | Machine bed cover plate | 上蓋 | | 1 |
| 23 | 210009 | gasket | パッキン | | 1 |
| 24 | 210010 | oil shield | 油除ケ | | 1 |
| 25 | 5458 | screw | 止ネジ(平頭) | 25kg-cm | 6 |
| 26 | 5482 | screw | " (六角頭) | 25kg-cm | 1 |
| 27 | 210601 | Type plate (E52-210) | 形式板(E52-210) | | 1 |
| 28 | 210679 | pin | 止ピン | | 2 |
| 29 | 210525 | Name plate (rear) | 銘板(後) | | 1 |
| 30 | 202526 | Manufacturer's name plate | 記銘板 | | 1 |

| 印 Mark | 意味 | Meaning | 参照頁 Ref. page |
|-----------|--------|--------------------|------------------|
| ① | ゲージパーツ | Organization parts | 46-47 |
| ② | 組部品 | Assembly of parts | 49 |
| ③ | 専用部品 | Specific parts | 48 |

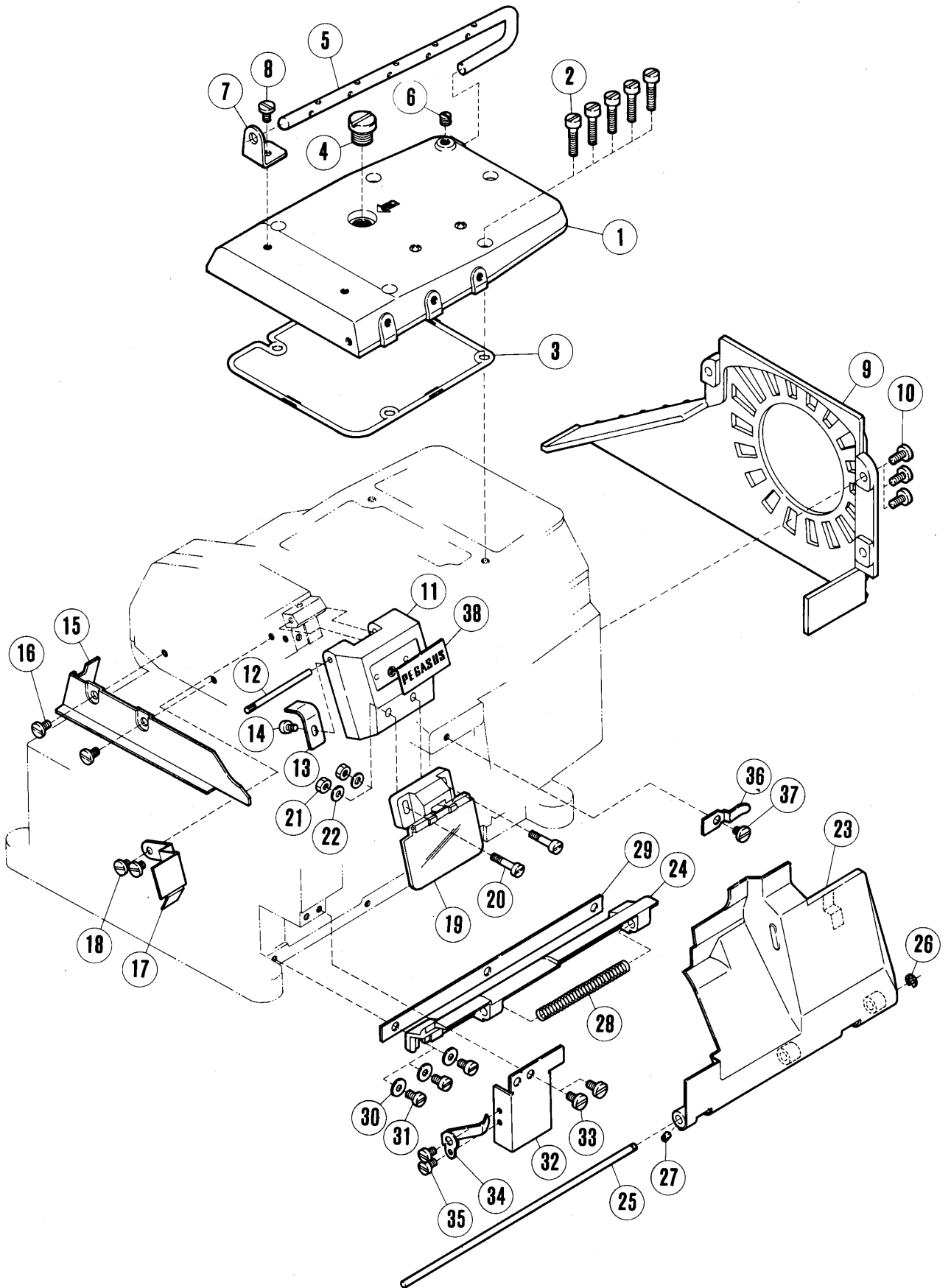


(1)COVERS

カバー機構(1)

| Ref. No. 参照番号 | Part No. 部品番号 | Name | 名称 | Torque トルク | Qt. 数量 |
|------------------|------------------|-------------------------------|--------------|---------------|-----------|
| 1 | ②③ 210018 | Cloth plate (narrow) | クロスプレート(巾狭用) | | 1 |
| 2 | ②③ 210019 | Cloth plate (wide) | クロスプレート(巾広用) | | 1 |
| 3 | 210020 | washer | ワッシャー | | 1 |
| 4 | 1174 | stop screw | ストッパー | | 1 |
| 5 | 3091 | " " nut | " ナット | 20kg-cm | 1 |
| 6 | 5483 | screw | 止ネジ | | 1 |
| 7 | 3044 | " nut | " ナット | 15kg-cm | 1 |
| 8 | 192130 | spring | バネ | | 1 |
| 9 | 210022 | latch pin | 止金ピン | | 1 |
| 10 | 137906 | " " washer | " " ワッシャー | | 1 |
| 11 | 3091 | " " nut | " " ナット | | 1 |
| 12 | 210024 | open spring | 開キバネ | | 1 |
| 13 | 5012 | " " screw | " 止ネジ | 25kg-cm | 2 |
| 14 | 202875 | " " washer | " ワッシャー | | 2 |
| 15 | 210021 | latch | 止金 | | 1 |
| 16 | 5488 | " screw | " 止ネジ | 25kg-cm | 1 |
| 17 | 210023 | " spring | " バネ | | 1 |
| 18 | 208245 | " washer | " ワッシャー | | 1 |
| 19 | 1435 | " adjust screw | " 調節ネジ | | 1 |
| 20 | 1459 | " " " lock screw | " " 止ネジ | 15kg-cm | 1 |
| 21 | 210025 | cushion | 振動止メ | | 3 |
| 22 | ②③ 210026-FB | Side cover (used with 210018) | 横カバー(巾狭用) | | 1 |
| 23 | ②③ 210027-FB | Side cover (used with 210019) | " (巾広用) | | 1 |
| 24 | 4009-1 | screw | 止ネジ | 25kg-cm | 3 |
| 25 | 202058 | " washer | " ワッシャー | | 3 |
| 26 | 210025 | cushion | 振動止メ | | 2 |
| 27 | 210007 | Feed bar cover | 送り台カバー | | 1 |
| 28 | 2905 | screw | 止ネジ | 25kg-cm | 2 |
| 29 | 210006 | Feed eccentric cover | 送りエキセンカバー | | 1 |
| 30 | 5480 | screw | 止ネジ | 20kg-cm | 2 |
| 31 | ② 210117 | Upper looper holder cover | 上ルーパー台カバー | | 1 |
| 32 | 4009-1 | screw | 止ネジ | 25kg-cm | 5 |

| 印 Mark | 意味 | Meaning | 参照頁 Ref. page |
|-----------|--------|--------------------|------------------|
| ① | ゲージパーツ | Organization parts | 46-47 |
| ② | 組部品 | Assembly of parts | 49 |
| ③ | 専用部品 | Specific parts | 48 |

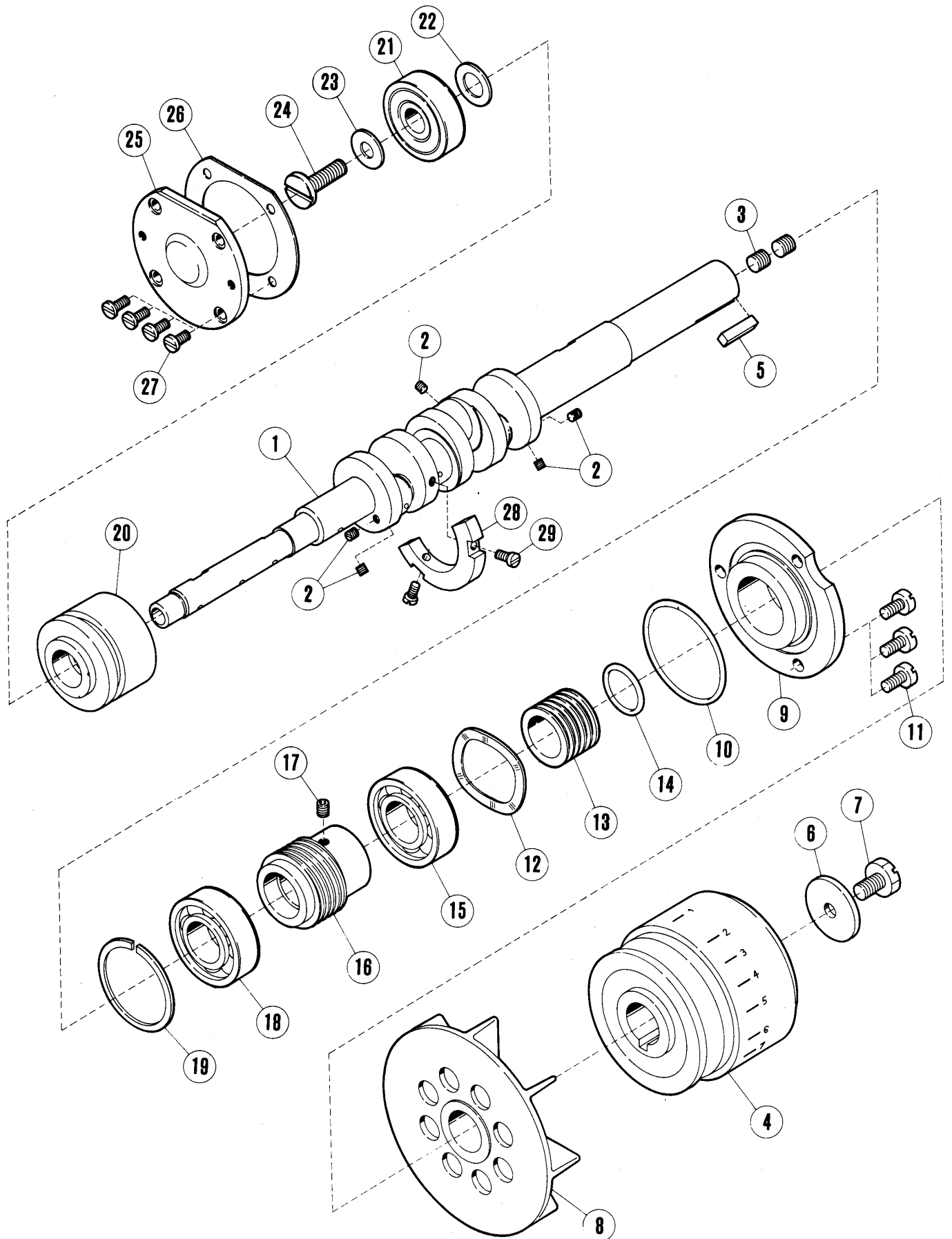


(2) COVERS

カバー機構(2)

| Ref. No. | Part No. | Name | | Torque | Qt. |
|----------|------------|--------------------------|-----------|---------|-----|
| 参照番号 | 部品番号 | | 名称 | トルク | 数量 |
| 1 | 210034-HD | Top cover | 上カバー | | 1 |
| 2 | 5095 | screw | 止ネジ | 25kg-cm | 5 |
| 3 | 210035 | gasket | パッキン | | 1 |
| 4 | 5198 | Oil filler plug screw | 注油蓋ネジ | 30kg-cm | 1 |
| 5 | 210036 | Thread guide bar | 糸道棒 | | 1 |
| 6 | 5060 | screw | 止ネジ | 30kg-cm | 1 |
| 7 | 210037 | bracket | ブラケット | | 1 |
| 8 | 4009-1 | " screw | " 止ネジ | 30kg-cm | 1 |
| 9 | 210028-FD | Belt cover | ベルトカバー | | 1 |
| 10 | 5117 | screw | 止ネジ | 30kg-cm | 3 |
| 11 | ②210222-HB | Needle thread cover | 針糸カバー | | 1 |
| 12 | 210030 | hinge pin | ヒンジピン | | 1 |
| 13 | 210223 | spring | 止バネ | | 1 |
| 14 | 1216 | " screw | " 止ネジ | | 1 |
| 15 | 210224 | Fabric guard | 布案内 | | 1 |
| 16 | 4009-1 | screw | 止ネジ | | 2 |
| 17 | 210221 | Machine arm (left) cover | アーム(左)カバー | | 1 |
| 18 | 2905 | screw | 止ネジ | | 2 |
| 19 | ②208747 | Eye guard, complete | アイガード(組) | | 1 |
| 20 | 1175-3 | screw | 止ネジ | | 2 |
| 21 | 3091 | " nut | " ナット | | 2 |
| 22 | 137906 | " washer | " ワッシャー | | 2 |
| 23 | ②210225 | Front cover | 前カバー | | 1 |
| 24 | 210042 | hinge | ヒンジ | | 1 |
| 25 | 208009 | " pin | " ピン | | 1 |
| 26 | 200555 | " " retaining ring | " " 止輪 | | 1 |
| 27 | 5292 | " " screw | " " 止ネジ | 20kg-cm | 1 |
| 28 | 210043 | " spring | " 押バネ | | 1 |
| 29 | 210047 | " gasket | パッキン | | 1 |
| 30 | 137906 | " washer | ワッシャー | | 3 |
| 31 | 1202 | " screw | 止ネジ | | 3 |
| 32 | 210046 | guide | 案内 | | 1 |
| 33 | 4009-1 | " screw | " 止ネジ | 20kg-cm | 2 |
| 34 | 210045 | hook spring (left) | 止バネ(左) | | 1 |
| 35 | 1216 | " " " screw | " 止ネジ | 25kg-cm | 2 |
| 36 | 210044 | " " (right) | 止バネ(右) | | 1 |
| 37 | 2905 | " " " screw | " 止ネジ | 25kg-cm | 1 |
| 38 | 205722 | Name plate (front) | 銘板(前) | | 1 |

| 印 Mark | 意味 | Meaning | 参照頁 Ref. page |
|-----------|--------|--------------------|------------------|
| ① | ゲージパーツ | Organization parts | 46-47 |
| ② | 組部品 | Assembly of parts | 49 |
| ③ | 専用部品 | Specific parts | 48 |

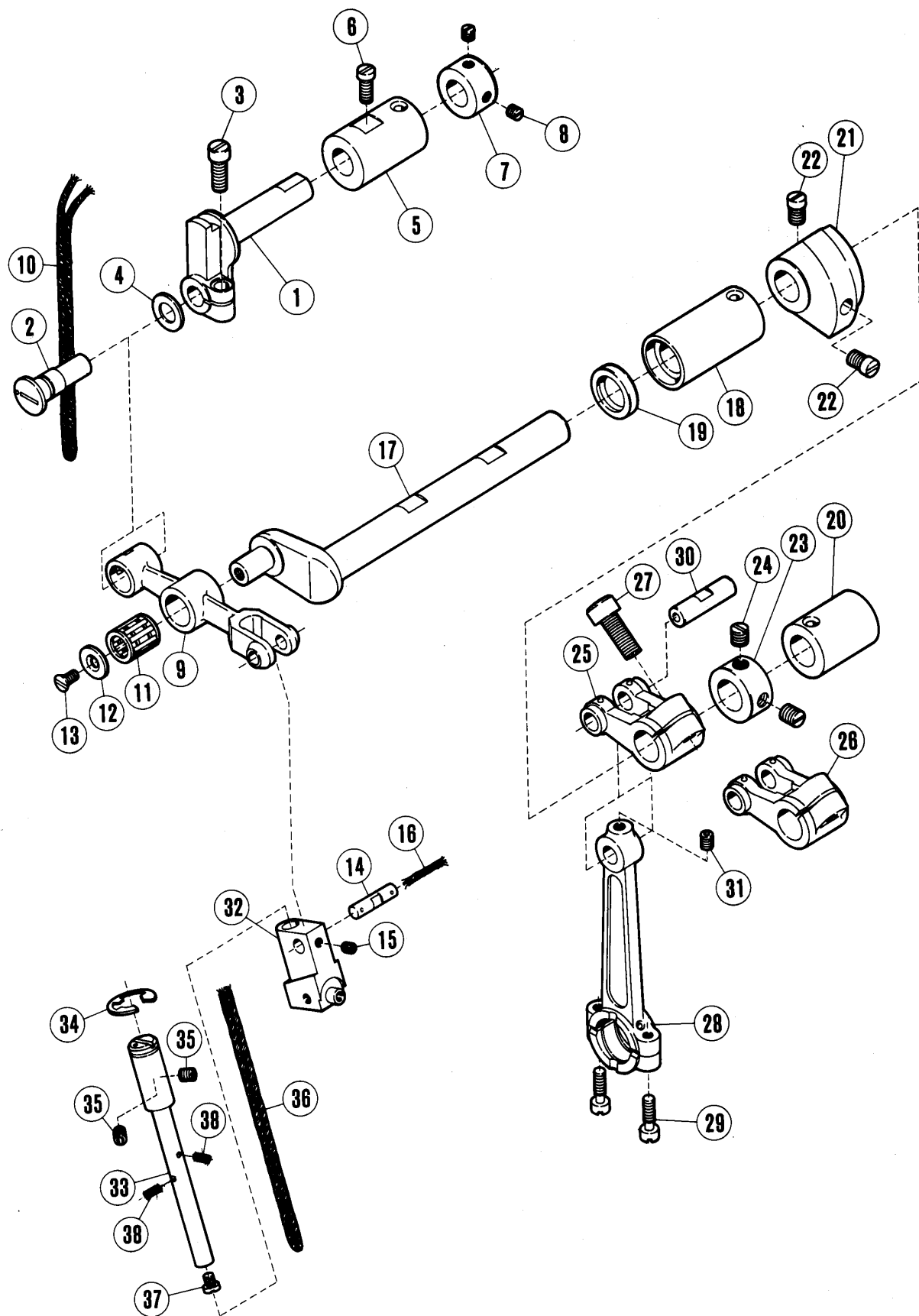


CRANKSHAFT DRIVE MECHANISM

クランクシャフト機構

| Ref. No. | Part No. | Name | | Torque | Qt. |
|----------|-------------|-----------------------|--------------|---------|-----|
| 参照番号 | 部品番号 | | 名称 | トルク | 数量 |
| 1 | 210228 | Crankshaft | クランクシャフト | | 1 |
| 2 | 1459 | oil plug screw | 油穴蓋ネジ | 25kg-cm | 5 |
| 3 | 1448 | " " screw | " 蓋ネジ | | 2 |
| 4 | ② 210060-HD | Machine pulley | プーリー | | 1 |
| 5 | 205617 | key | キー | | 1 |
| 6 | 210061 | washer | ワッシャー | | 1 |
| 7 | 5238 | screw | 止ネジ | 80kg-cm | 1 |
| 8 | 210058 | Cooling fan | ファン | | 1 |
| 9 | 210054 | Ball bearing retainer | 玉軸受押エ | | 1 |
| 10 | 210055 | gasket | パッキン | | 1 |
| 11 | 5117 | screw | 止ネジ | 30kg-cm | 3 |
| 12 | 210519 | Ball bearing spring | 玉軸受(右)バネ | | 1 |
| 13 | 210056 | Oil seal | 油切り | | 1 |
| 14 | 210057 | gasket | パッキン | | 1 |
| 15 | 210053 | Ball bearing (right) | 玉軸受(右) | | 1 |
| 16 | 210185 | Worm | ウォーム | | 1 |
| 17 | 5461 | screw | 止ネジ | 30kg-cm | 1 |
| 18 | 210051 | Ball bearing (center) | 玉軸受(中) | | 1 |
| 19 | 210052 | retaining ring | 止輪 | | 1 |
| 20 | 210050 | Crankshaft bushing | クランクシャフトブッシュ | | 1 |
| 21 | 204010 | Ball bearing (left) | 玉軸受(左) | | 1 |
| 22 | 204789 | retaining ring | 止輪 | | 1 |
| 23 | 204520 | washer | ワッシャー | | 1 |
| 24 | 5497 | screw | 止ネジ | 30kg-cm | 1 |
| 25 | 204737 | housing | ハウジング | | 1 |
| 26 | 204319 | " gasket | " パッキン | | 1 |
| 27 | 5136 | " screw | " 止ネジ | 25kg-cm | 4 |
| 28 | 210062 | Balance weight | バランスウェイト | | 1 |
| 29 | 5029 | screw | 止ネジ | 20kg-cm | 2 |

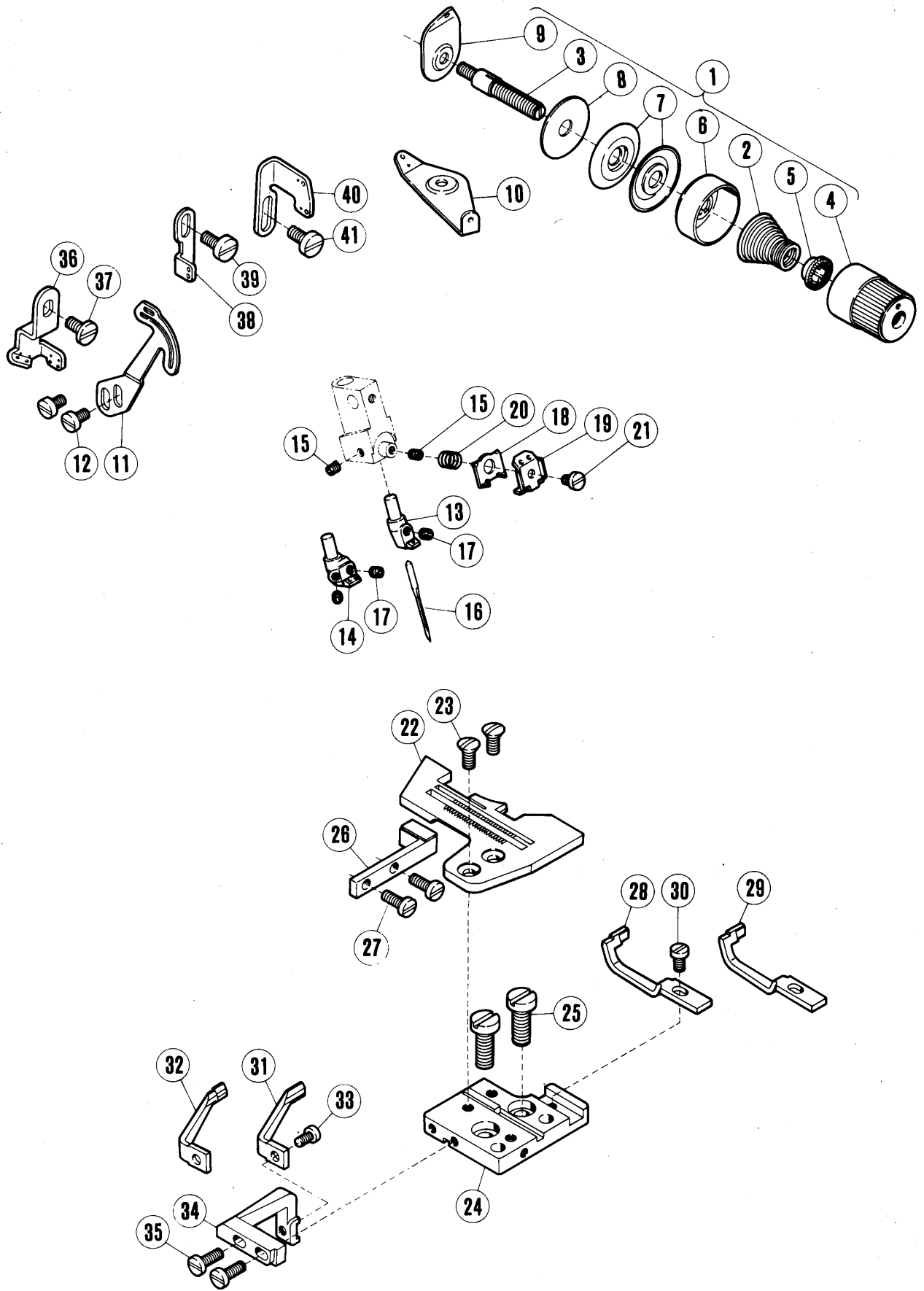
| 印 Mark | 意 味 | Meaning | 参 照 頁 Ref. page |
|-----------|--------|--------------------|--------------------------|
| ① | ゲージパーツ | Organization parts | 46-47 |
| ② | 組 部 品 | Assembly of parts | 49 |
| ③ | 専用部品 | Specific parts | 48 |



(1) NEEDLE DRIVE MECHANISM

針振り機構(1)

| Ref. No. | Part No. | Name | | Torque | Qt. |
|----------|----------|---------------------------------------|----------------------|--------|-----|
| 参照番号 | 部品番号 | | 名称 | トルク | 数量 |
| 1 | 210239 | Needle drive lever pin holder | 針振り案内 | | 1 |
| 2 | 210240 | pin | ピン | | 1 |
| 3 | 5485 | clamp screw | // 抱ネジ | | 1 |
| 4 | 210241 | washer | ワッシャー | | 1 |
| 5 | 210242 | bushing | ブッシュ | | 1 |
| 6 | 2213 | " screw | // 止ネジ | | 1 |
| 7 | 201056 | collar | カラー | | 1 |
| 8 | 1457 | " screw | // 止ネジ | | 2 |
| 9 | 210235 | Needle drive lever | 針振レバー | | 1 |
| 10 | 202175 | oil wick | 給油ヒモ | | 1 |
| 11 | 210238 | bearing | ベアリング | | 1 |
| 12 | 210236 | washer | ワッシャー | | 1 |
| 13 | 5022 | " screw | // 止ネジ | | 1 |
| 14 | 210237 | pin | ピン | | 1 |
| 15 | 5292 | " screw | // 止ネジ | | 1 |
| 16 | 202175 | " oil wick | // 給油ヒモ | | 1 |
| 17 | 210232 | Needle drive shaft | 針振り軸 | | 1 |
| 18 | 210234 | bushing (left) | ブッシュ(左) | | 1 |
| 19 | 210069 | oil seal | オイルシール | | 1 |
| 20 | 210233 | bushing (right) | ブッシュ(右) | | 1 |
| 21 | 210511 | Balance weight | バランスウェイト | | 1 |
| 22 | 5059 | screw | 止ネジ | | 2 |
| 23 | 201635 | Needle drive shaft collar | 針振り軸カラー | | 1 |
| 24 | 5060 | screw | 止ネジ | | 2 |
| 25 | 210230 | Needle drive crank (standard lift) | 針クランク (スタンダードリフト) | | 1 |
| 26 | 210231 | Needle drive crank (high lift) | 針クランク (ハイリフト) | | 1 |
| 27 | 5457 | clamp screw | 抱ネジ | | 1 |
| 28 | 210229 | Needle drive connection | 針ロッド | | 1 |
| 29 | 5376 | cap screw | 蓋ネジ | | 2 |
| 30 | 204146 | pin | ピン | | 1 |
| 31 | 5461 | " screw | // 止ネジ | | 1 |
| 32 | 210243 | Needle holder guide | 針留案内 | | 1 |
| 33 | 210244 | stud | 軸 | | 1 |
| 34 | 202577 | " ring | // 止輪 | | 1 |
| 35 | 5461 | " screw | // 止ネジ | | 2 |
| 36 | 202175 | " oil wick | // 給油ヒモ | | 1 |
| 37 | 5012 | " " hole screw | // 油穴蓋ネジ | | 1 |
| 38 | 202174 | " " wick | // 給油ヒモ | | 2 |

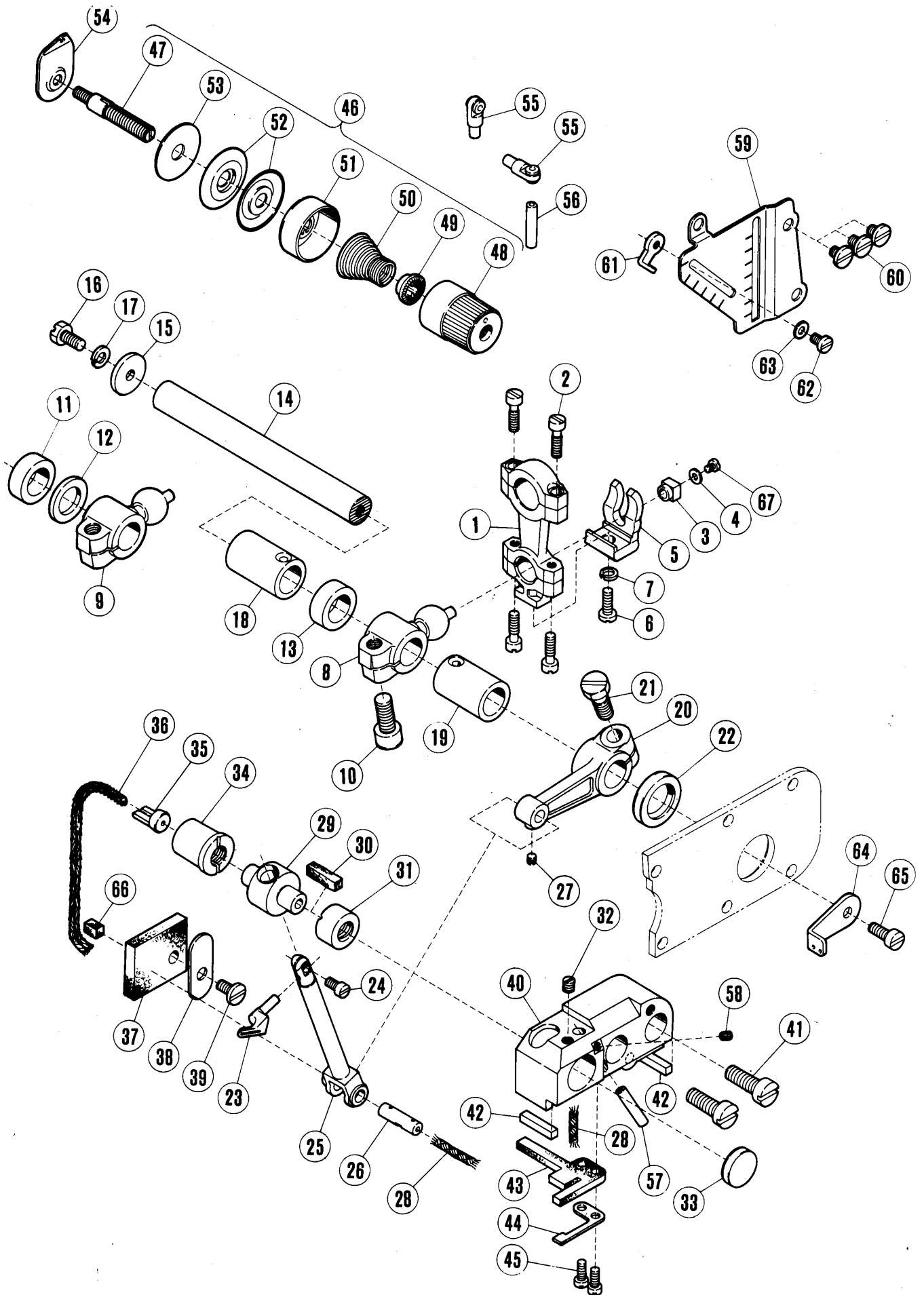


(2) NEEDLE DRIVE MECHANISM

針振り機構(2)

| Ref. No. | Part No. | Name | Torque | Qt. |
|----------|----------|--|--------|-----|
| 参照番号 | 部品番号 | 名称 | トルク | 数量 |
| 1 | ②210529 | Needle thread tension, complete with 201037 and Ref. Nos. 2-7 (2 pieces used for 2-needle) | | 1 |
| | ②210530 | Needle thread tension, complete with 201086 and Ref. Nos. 2-7 (for 2-thread overlock only) | | 1 |
| 2 | 201037 | spring (heavy) | | 1 |
| | 201086 | " (medium) | | 1 |
| 3 | 5082 A | post | | 1 |
| 4 | 208447 | " nut | | 1 |
| 5 | 208448 | spring bushing | | 1 |
| 6 | 208450 | " cup | | 1 |
| 7 | 210319 | disc | | 2 |
| 8 | 208449 | felt | | 1 |
| 9 | 202849 | guide (for 1-needle) | | 1 |
| 10 | 210090 | guide (for 2-needle) | | 1 |
| 11 | 210261 | Needle thread takeup screw | | 1 |
| 12 | 1175-3 | " " | | 2 |
| 13 | 210247 | Needle holder (for 1-needle) | | 1 |
| 14 | 210248 | " " (for 2mm needle gauge) | | 1 |
| | 210249 | " " (for 2.5mm needle gauge) | | 1 |
| | 210250 | " " (for 3mm needle gauge) | | 1 |
| 15 | 5292 | screw | | 2 |
| 16 | DC×27 | Needle (2pcs required for 2-needle) | | 1 |
| 17 | 5292 | screw (2pcs required for 2-needle) | | 1 |
| 18 | 210259 | Needle thread retainer | | 1 |
| 19 | 210260 | bracket | | 1 |
| 20 | 200205 | spring | | 1 |
| 21 | 1229 | screw | | 1 |
| 22 | 210379 | Needle plate | | 1 |
| 23 | 5484 | screw | | 2 |
| 24 | ②210074 | bracket, complete | | 1 |
| 25 | 5357 | " screw | | 2 |
| 26 | ②210077 | Needle plate support screw | | 1 |
| 27 | 1175-3 | " " | | 2 |
| 28 | 210251 | Needle guard (front) (for 1-needle) | | 1 |
| 29 | 210252 | " " (front) for 2mm needle gauge | | 1 |
| | 210253 | Needle guard (front) for 2.5mm needle gauge | | 1 |
| | 210254 | Needle guard (front) for 3mm needle gauge | | 1 |
| 30 | 5136 | screw | | 1 |
| 31 | 210255 | Needle guard (rear) (for 1-needle) | | 1 |
| 32 | 210256 | Needle guard (rear) for 2mm needle gauge | | 1 |
| | 210257 | Needle guard (rear) for 2.5mm needle gauge | | 1 |
| | 210258 | Needle guard (rear) for 3mm needle gauge | | 1 |
| 33 | 1206 | screw | | 1 |
| 34 | 210084 | bracket | | 1 |
| 35 | 1175-3 | " screw | | 2 |
| 36 | 210262 | Needle thread guide (left) | | 1 |
| 37 | 5117 | screw | | 1 |
| 38 | 210263 | Needle thread guide (center) | | 1 |
| 39 | 5117 | screw | | 1 |
| 40 | 210264 | Needle thread guide (right) | | 1 |
| 41 | 5117 | screw | | 1 |

| 印 Mark | 意味 | Meaning | 参照頁 Ref. page |
|--------|--------|--------------------|---------------|
| ① | ゲージパーツ | Organization parts | 46-47 |
| ② | 組部品 | Assembly of parts | 49 |
| ③ | 専用部品 | Specific parts | 48 |

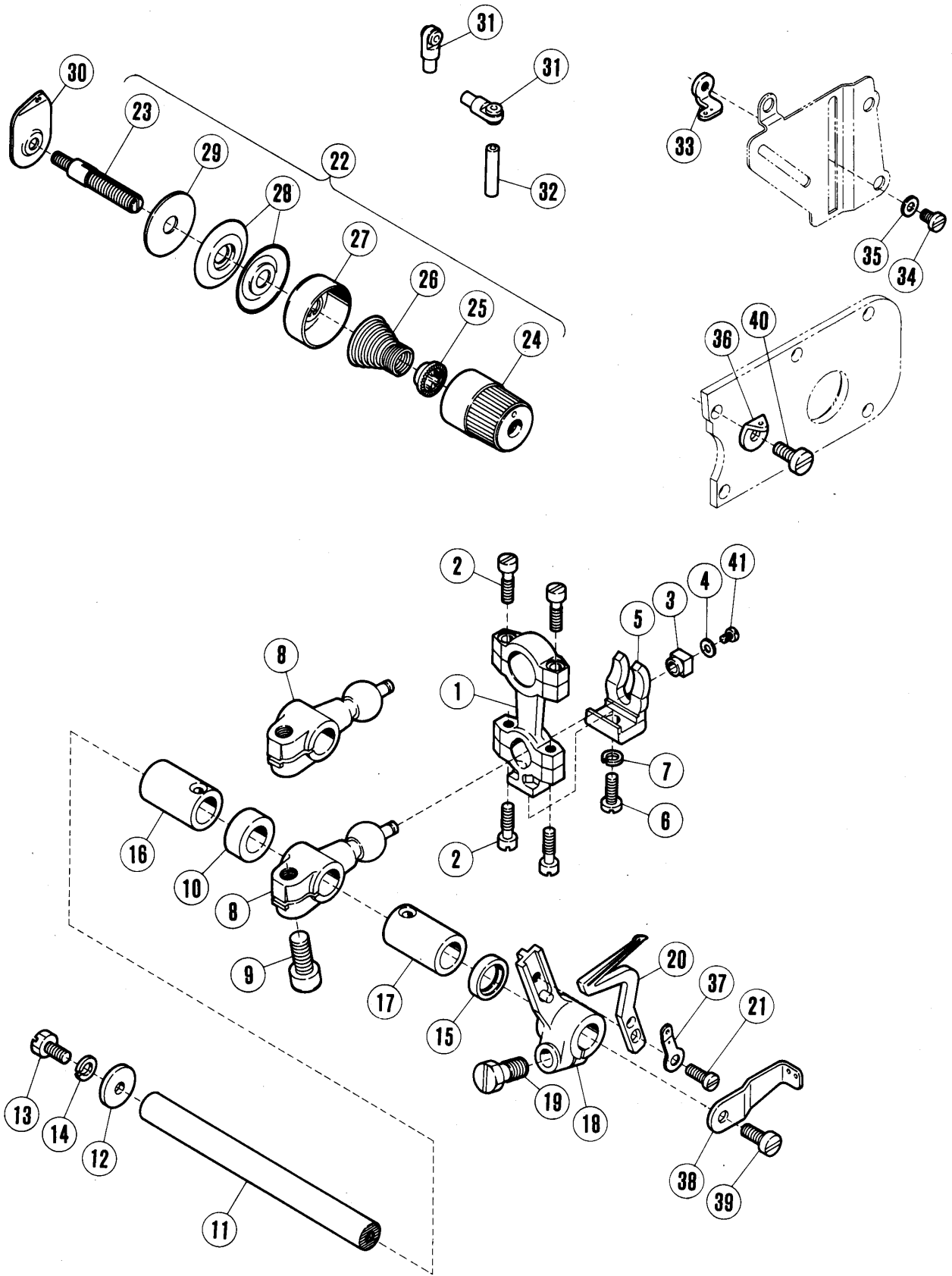


UPPER LOOPER DRIVE MECHANISM

上ルーパー機構

| Ref. No. 参照番号 | Part No. 部品番号 | Name 名称 | Torque トルク | Qt. 数量 |
|------------------|------------------|--|---------------|-----------|
| 1 | 210091 | Upper looper drive connection | | 1 |
| 2 | 5376 | cap screw | 30kg-cm | 4 |
| 3 | 210093 | block | | 1 |
| 4 | 210585 | " washer | | 1 |
| 5 | 210092 | guide | | 1 |
| 6 | 1156 | " screw | 30kg-cm | 1 |
| 7 | 202286 | " " spring washer | | 1 |
| 8 | ●210266 | Upper looper drive crank (standard lift) | | 1 |
| 9 | ●210096 | Upper looper drive crank (high lift) | | 1 |
| 10 | 5457 | clamp screw | 80kg-cm | 1 |
| 11 | 210267 | washer (high lift) | | 1 |
| 12 | 206180 | washer (high lift) | | 1 |
| 13 | 210098 | washer (standard lift) | | 1 |
| 14 | 210099 | Upper looper drive shaft | | 1 |
| 15 | 210100 | washer | | 1 |
| 16 | 2193 | screw | 30kg-cm | 1 |
| 17 | 202286 | spring washer | | 1 |
| 18 | 210102 | bushing (rear) | | 1 |
| 19 | 210101 | " (front) | | 1 |
| 20 | 210104 | Upper looper holder lever | | 1 |
| 21 | 5487 | clamp screw | | 1 |
| 22 | 210103 | Oil seal | | 1 |
| 23 | ●210359 | Upper looper | | 1 |
| 24 | 1998-2 | screw | 25kg-cm | 1 |
| 25 | 210106 | Upper looper holder | | 1 |
| 26 | 210105 | pin | | 1 |
| 27 | 5292 | " screw | 20kg-cm | 1 |
| 28 | 202175 | oil wick | | 2 |
| 29 | 210107 | Upper looper holder guide | | 1 |
| 30 | 204274 | oil felt | | 1 |
| 31 | 210109 | Upper looper holder bushing (front) | | 1 |
| 32 | 1457 | screw | 20kg-cm | 1 |
| 33 | 208173 | cap | | 1 |
| 34 | 210110 | Upper looper holder bushing (rear) | | 1 |
| 35 | 210111 | Oil release plug | | 1 |
| 36 | 202174 | oil wick | | 1 |
| 37 | 210112 | Oil felt (large) | | 1 |
| 38 | 210113 | set plate | | 1 |
| 39 | 4009-1 | " " screw | 20kg-cm | 1 |
| 40 | 210108 | Upper looper holder guide base | | 1 |
| 41 | 5282 | screw | 50kg-cm | 2 |
| 42 | 210118 | gasket | | 2 |
| 43 | 210114 | Oil felt (small) | | 1 |
| 44 | 210115 | set plate | | 1 |
| 45 | 5012 | " " screw | 15kg-cm | 2 |
| 46 | ●210531 | Upper looper thread tension, complete (includes parts of Ref. Nos. 45-51) | 20kg-cm | 1 |
| 47 | 5082 A | post | | 1 |
| 48 | 208447 | " nut | | 1 |
| 49 | 208448 | spring bushing | | 1 |
| 50 | 201068 | spring (weak) | | 1 |
| 51 | 208450 | spring cup | | 1 |
| 52 | 210319 | disc | | 2 |
| 53 | 208449 | felt | | 1 |
| 54 | 202849 | guide | | 1 |
| 55 | 201439 A | Upper looper thread eyelet | | 2 |
| 56 | 204657 | Upper looper thread tube (upper) | | 1 |
| 57 | 204657 | " " " " (lower) | | 1 |
| 58 | 5292 | screw | 20kg-cm | 1 |
| 59 | 210349 | Looper thread guide plate | | 1 |
| 60 | 2905 | screw | 25kg-cm | 3 |
| 61 | 210350 | Upper looper thread guide | | 1 |
| 62 | 1186 | screw | 20kg-cm | 1 |
| 63 | 202875 | " washer | | 1 |
| 64 | 210351 | Upper looper thread takeup | | 1 |
| 65 | 2902 | screw | 30kg-cm | 1 |
| 66 | 210721 | Oil felt | | 1 |
| 67 | 1231 | Block screw | 10kg-cm | 1 |

| 印 Mark | 意味 | Meaning | 参照頁 Ref. page |
|-----------|--------|--------------------|------------------|
| ● | ゲージパーツ | Organization parts | 46-47 |
| ● | 組部品 | Assembly of parts | 49 |
| ● | 専用部品 | Specific parts | 48 |

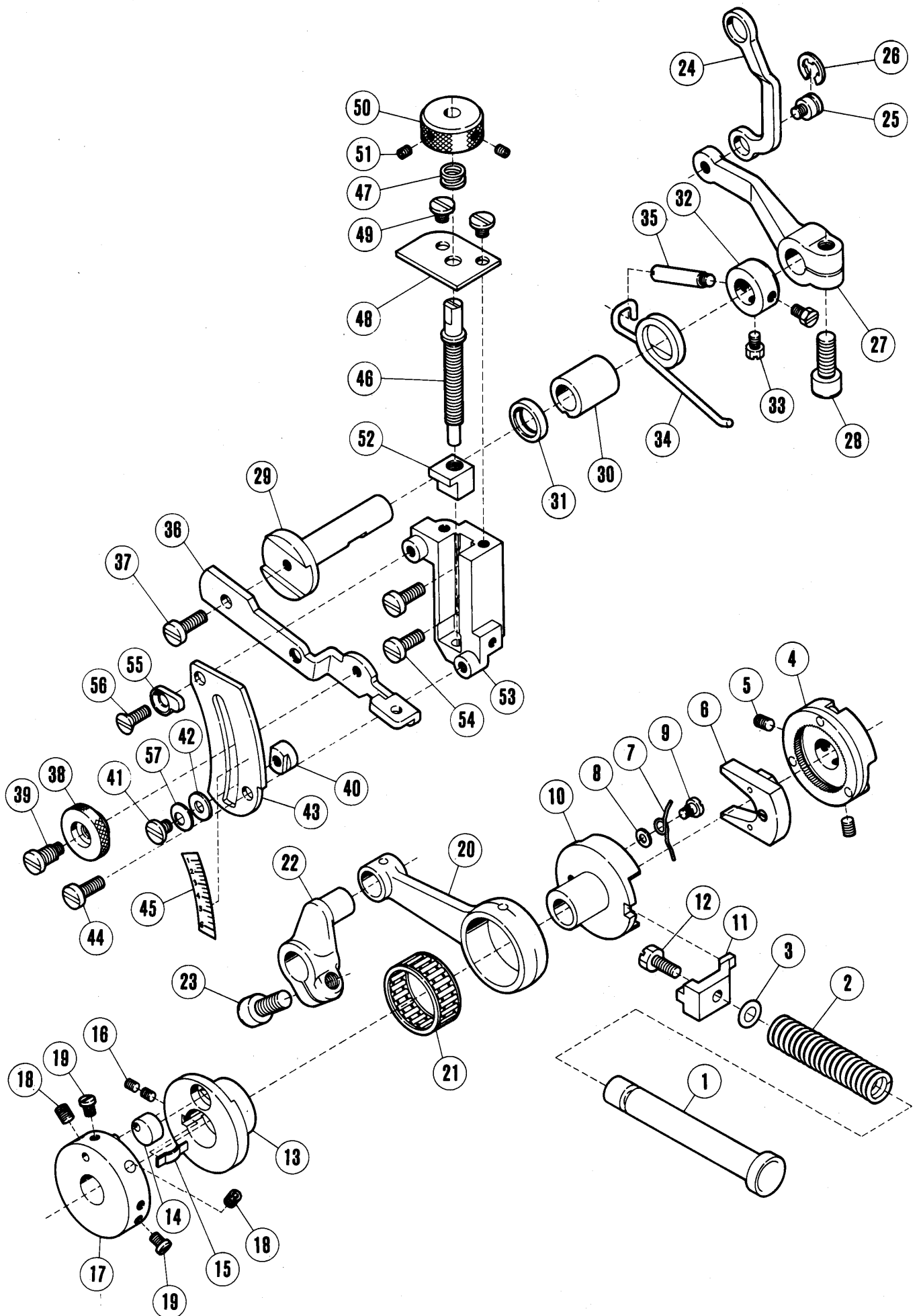


LOWER LOOPER DRIVE MECHANISM

下ルーパー機構

| Ref. No. 参照番号 | Part No. 部品番号 | Name | 名称 | Torque トルク | Qt. 数量 |
|------------------|------------------|--|-------------------------|---------------|-----------|
| 1 | 210091 | Lower looper drive connection | 下ルーパーロッド | | 1 |
| 2 | 5376 | cap screw | 蓋ネジ | 30kg-cm | 4 |
| 3 | 210093 | block | 角ゴマ | | 1 |
| 4 | 210585 | " washer | " 座金 | | 1 |
| 5 | 210092 | guide | 振レ止メ | | 1 |
| 6 | 1156 | " screw | " 止ネジ | 30kg-cm | 1 |
| 7 | 202286 | " " spring washer | " バネワッシャー | | 1 |
| 8 | 210120 | Lower looper drive crank | 下ルーパークランク | | 1 |
| 9 | 5457 | clamp screw | 抱ネジ | 60kg-cm | 1 |
| 10 | 210122 | washer | ワッシャー | | 1 |
| 11 | 210123 | Lower looper lever shaft | 下ルーパー軸 | | 1 |
| 12 | 204107 | washer | ワッシャー | | 1 |
| 13 | 2193 | " screw | " 止ネジ | 30kg-cm | 1 |
| 14 | 202286 | " spring washer | " バネワッシャー | | 1 |
| 15 | 210586 | oil seal | オイルシール | | 1 |
| 16 | 210125 | bushing (rear) | ブッシュ(後) | | 1 |
| 17 | 210124 | " (front) | " (前) | | 1 |
| 18 | 210126 | Lower looper lever | 下ルーパー台 | | 1 |
| 19 | 5487 | clamp screw | 抱ネジ | 60kg-cm | 1 |
| 20 | ●210356 | Lower looper | 下ルーパー | | 1 |
| 21 | 1175-2 | screw | 止ネジ | 25kg-cm | 1 |
| 22 | ●210530 | Lower looper thread tension, complete (includes parts of Ref. Nos. 23-29) | 糸調子(組) (参照番号23~29ノ組) | 20kg-cm | 1 |
| 23 | 5082A | post | 棒 | | 1 |
| 24 | 208447 | " nut | " ナット | | 1 |
| 25 | 208448 | spring bushing | " " 止パイプ | | 1 |
| 26 | 201086 | spring (medium) | バネ(中) | | 1 |
| 27 | 208450 | spring cup | " 受皿 | | 1 |
| 28 | 210319 | disc | 皿 | | 2 |
| 29 | 208449 | felt | フェルト | | 1 |
| 30 | 202849 | guide | 台 | | 1 |
| 31 | 201439 A | Lower looper thread eyelet | 下ルーパー糸道 | | 2 |
| 32 | 204657 | " " " tube | " " パイプ | | 1 |
| 33 | 210518 | " " " guide (right) | " " (右) | | 1 |
| 34 | 1186 | screw | 止ネジ | 20kg-cm | 1 |
| 35 | 202875 | " washer | ワッシャー | | 1 |
| 36 | 167079 | Lower looper thread guide (left) | 下ルーパー糸道(中) | | 1 |
| 37 | 210353 | Lower looper thread eyelet (left) | 下ルーパー糸道(左) | | 1 |
| 38 | 210352 | Lower looper thread takeup | 下ルーパー糸繰 | | 1 |
| 39 | 2902 | screw | 止ネジ | 30kg-cm | 1 |
| 40 | 5441 | screw | 止ネジ | 30kg-cm | 1 |
| 41 | 1231 | Block screw | 角ゴマ止ネジ | 10kg-cm | 1 |

| 印 Mark | 意味 | Meaning | 参照頁 Ref. page |
|-----------|--------|--------------------|------------------|
| ● | ゲージパーツ | Organization parts | 46-47 |
| ● | 組部品 | Assembly of parts | 49 |
| ● | 専用部品 | Specific parts | 48 |

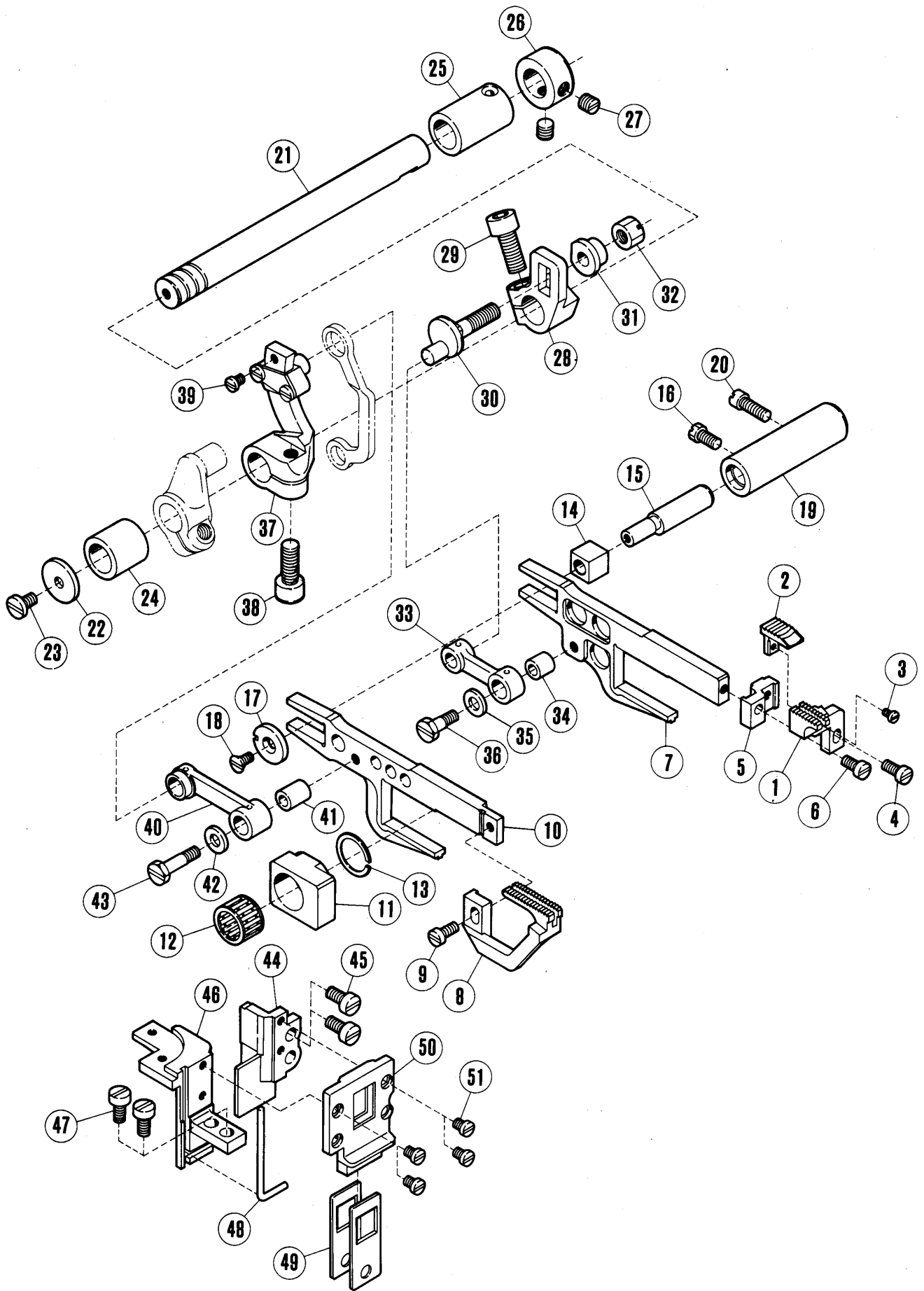


(1)FEED MECHANISM

送り機構(1)

| Ref. No. | Part No. | Name | | Torque | Qt. |
|----------|----------|--|------------------|----------|-----|
| 参照番号 | 部品番号 | | 名称 | トルク | 数量 |
| 1 | 210137 | Push button | プッシュボタン | | 1 |
| 2 | 210139 | spring | バネ | | 1 |
| 3 | 204185 | " gasket | " パッキン | | 1 |
| 4 | ②210136 | Feed regulating ratchet wheel, complete | 送り調節ラチェットホイール(組) | | 1 |
| 5 | 5461 | screw | 止ネジ | 30kg-cm | 2 |
| 6 | 210132 | Feed regulating ratchet | 送り調節ラチェット | | 1 |
| 7 | 210133 | spring | バネ | | 1 |
| 8 | 202875 | " washer | " ワッシャー | | 1 |
| 9 | 5478 | " screw | " 止ネジ | | 1 |
| 10 | 210131 | Feed regulating eccentric | 送り調節エキセン | | 1 |
| 11 | 210138 | stopper | ストッパー | | 1 |
| 12 | 5117 | " screw | " 止ネジ | 25kg-cm | 1 |
| 13 | 210127 | Feed eccentric | 送りエキセン | | 1 |
| 14 | 210129 | guide | 案内 | | 1 |
| 15 | 210130 | spring | バネ | | 1 |
| 16 | 5292 | " screw | " 止ネジ | | 2 |
| 17 | 210128 | retainer | 土台(組) | | 1 |
| 18 | 5461 | " screw | " 止ネジ | 30kg-cm | 2 |
| 19 | 5500 | stopper | ストッパー | | 2 |
| 20 | 210140 | Feed drive connection | 送りロッド | | 1 |
| 21 | 204084 | needle bearing | ベアリング | | 1 |
| 22 | 210141 | Feed drive crank | 送リクランク | | 1 |
| 23 | 5457 | clamp screw | 抱ネジ | 150kg-cm | 1 |
| 24 | 210161 | Diff. feed regulating link | 差動調節リンク | | 1 |
| 25 | 5316 | screw | 止ネジ | 35kg-cm | 1 |
| 26 | 202522 | retaining ring | 止輪 | | 1 |
| 27 | 210162 | Diff. feed regulating lever (right) | 差動調節レバー(右) | | 1 |
| 28 | 5457 | clamp screw | 抱ネジ | 70kg-cm | 1 |
| 29 | 210163 | Diff. feed regulating shaft | 差動調節軸 | | 1 |
| 30 | 210164 | bushing | ブッシュ | | 1 |
| 31 | 204052 A | oil seal | オイルシール | | 1 |
| 32 | 204754 | collar | カラー | | 1 |
| 33 | 5084 | " screw | " 止ネジ | 25kg-cm | 2 |
| 34 | 204756 | Diff. feed regulating spring | 差動調節バネ | | 1 |
| 35 | 204757 | latch screw | 掛金 | | 1 |
| 36 | 210166 | Diff. feed regulating lever (left) | 差動調節レバー(左) | | 1 |
| 37 | 5117 | screw | 止ネジ | 30kg-cm | 1 |
| 38 | 210167 | thumb nut | ナット | | 1 |
| 39 | 5486 | screw | 止ネジ | 30kg-cm | 1 |
| 40 | 210171 | stopper (lower) | ストッパー(下) | | 1 |
| 41 | 2905 | " screw | " 止ネジ | 30kg-cm | 1 |
| 42 | 201185 | " " washer | " " ワッシャー | | 1 |
| 43 | 210168 | Diff. feed regulating guide | 差動調節案内 | | 1 |
| 44 | 5117 | screw | 止ネジ | 30kg-cm | 1 |
| 45 | 210170 | indication plate | 目盛板 | | 1 |
| 46 | 210172 | Diff. feed regulating bar | 差動調節棒 | | 1 |
| 47 | 210533 | spring | バネ | | 1 |
| 48 | 210534 | guide | 案内 | | 1 |
| 49 | 5091 | " screw | " 止ネジ | 25kg-cm | 2 |
| 50 | 210532 | thumb nut | ツマミ | | 1 |
| 51 | 5292 | " " screw | " 止ネジ | 20kg-cm | 2 |
| 52 | 210535 | Diff. feed regulating block | 差動調節角ゴマ | | 1 |
| 53 | 210536 | Diff. feed regulating base | 差動調節台 | | 1 |
| 54 | 5118 | screw | 止ネジ | 30kg-cm | 2 |
| 55 | 210700 | Diff. feed regulating lever (left) stopper (upper) | 差動調節ストッパー(上) | | 1 |
| 56 | 1732 | screw | 止ネジ | | 1 |
| 57 | 201191 | Spring washer | バネワッシャー | | 1 |

| 印 Mark | 意味 | Meaning | 参照頁 Ref. page |
|-----------|--------|--------------------|------------------|
| ① | ゲージパーツ | Organization parts | 46-47 |
| ② | 組部品 | Assembly of parts | 49 |
| ③ | 専用部品 | Specific parts | 48 |

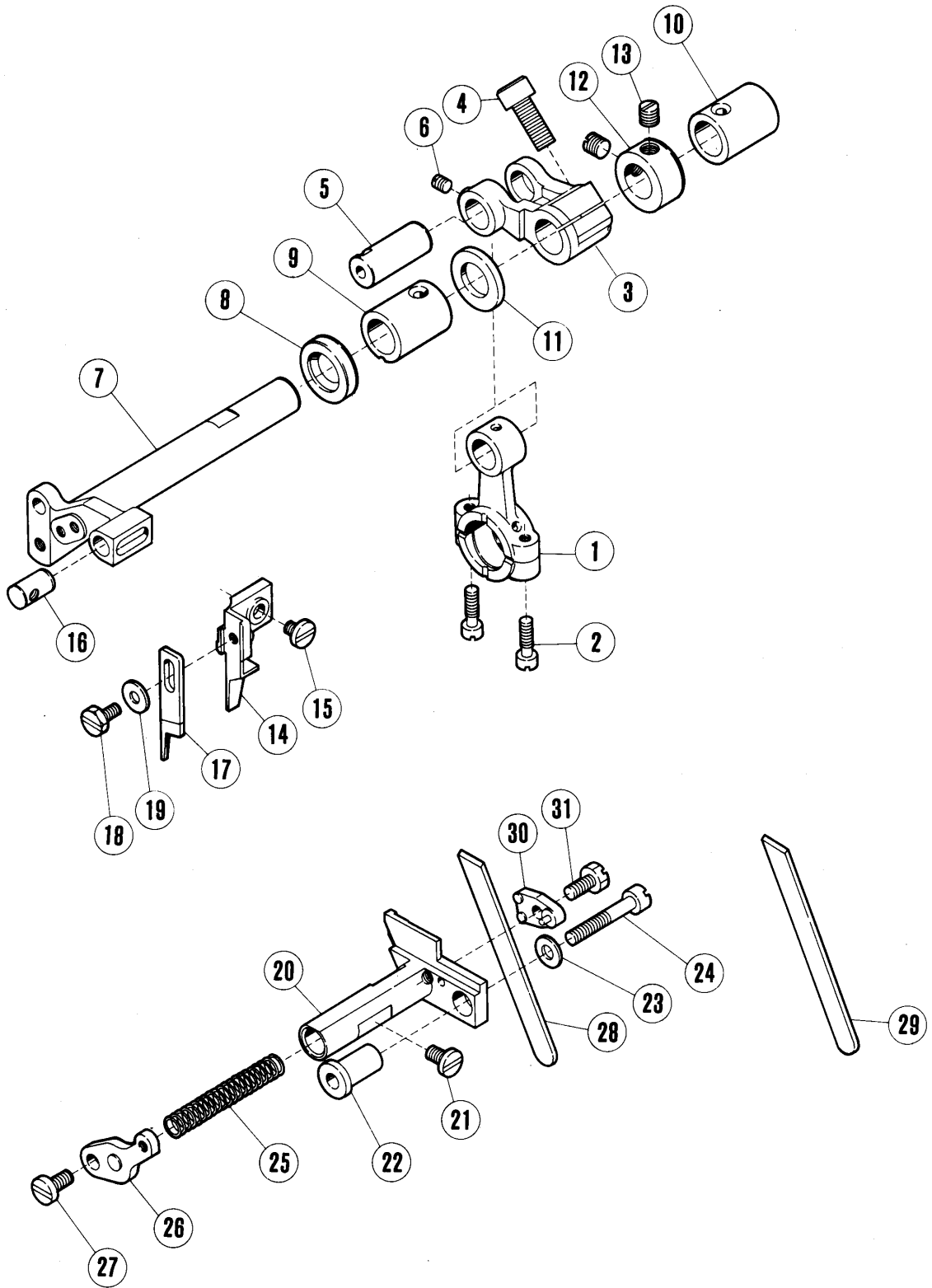


(2)FEED MECHANISM

送り機構(2)

| Ref. No. | Part No. | Name | | Torque | Qt. |
|----------|-----------|--|------------------------|---------|-----|
| 参照番号 | 部品番号 | | 名称 | トルク | 数量 |
| | ①② 210569 | Main feed dog, complete (includes parts of Ref. Nos. 1-3) | 主送り歯(組) (参照番号1~3ノ組) | | 1 |
| 1 | ① 210438 | main feed dog | 主送り歯 | | 1 |
| 2 | ① 204674 | aux. feed dog | 補助送り歯 | | 1 |
| 3 | 5492 | " " " screw | " 止ネジ | | 1 |
| 4 | 1175-2 | screw | 止ネジ | 25kg-cm | 1 |
| 5 | 210343 | bracket | ブラケット | | 1 |
| 6 | 1175-2 | " screw | " 止ネジ | 25kg-cm | 1 |
| 7 | 210154 | Main feed bar | 主送り台 | | 1 |
| 8 | ① 210442 | Diff. feed dog | 差動送り歯 | | 1 |
| 9 | 1175-2 | screw | 止ネジ | 25kg-cm | 1 |
| 10 | 210155 | Diff. feed bar | 差動送り台 | | 1 |
| 11 | 210156 | Feed bar lift block | 送り上下角ゴマ | | 1 |
| 12 | 206128 | bearing | ベアリング | | 1 |
| 13 | 206129 | " retaining ring | " 止輪 | | 1 |
| 14 | 205418 | Feed bar guide block | 送り案内台角ゴマ | | 1 |
| 15 | 204128 A | Feed bar pin | 送り台ピン | | 1 |
| 16 | 5084 | screw | 止ネジ | | 1 |
| 17 | 204439 A | washer | ワッシャー | | 1 |
| 18 | 5317 | " screw | " 止ネジ | 20kg-cm | 1 |
| 19 | 204129 A | bushing | 送り台案内軸 | | 1 |
| 20 | 2133-1 | " screw | 止ネジ | | 1 |
| 21 | 210142 | Feed shaft | 送り軸 | | 1 |
| 22 | 210100 | washer | ワッシャー | | 1 |
| 23 | 4009-1 | " screw | " 止ネジ | 40kg-cm | 1 |
| 24 | 210143 | bushing (left) | ブッシュ(左) | | 1 |
| 25 | 210102 | " (right) | " (右) | | 1 |
| 26 | 201635 | collar | カラー | | 1 |
| 27 | 5060 | " screw | " 止ネジ | 25kg-cm | 2 |
| 28 | 210144 | Main feed crank | 主送りクランク | | 1 |
| 29 | 5457 | clamp screw | 抱ネジ | 60kg-cm | 1 |
| 30 | 210145 | pin | ピン | | 1 |
| 31 | 210146 | " washer | " ワッシャー | | 1 |
| 32 | 5455 | " nut | " ナット | 30kg-cm | 1 |
| 33 | 210147 | Main feed link | 主送りリンク | | 1 |
| 34 | 210148 | bushing | ブッシュ | | 1 |
| 35 | 204115 | " washer | " ワッシャー | | 1 |
| 36 | 5489 | " screw | " 止ネジ | 30kg-cm | 1 |
| 37 | ② 210152 | Diff. feed crank, complete | 差動送りクランク(組) | | 1 |
| 38 | 5457 | clamp screw | 抱ネジ | | 1 |
| 39 | 1186 | stopper | ストッパー | 25kg-cm | 1 |
| 40 | 210153 | Diff. feed link | 差動送りリンク | | 1 |
| 41 | 204114 | bushing | ブッシュ | | 1 |
| 42 | 208245 | " washer | " ワッシャー | | 1 |
| 43 | 5231 | " screw | " 止ネジ | 30kg-cm | 1 |
| 44 | 210157 | Feed bar guide (right) | 送り台案内(右) | | 1 |
| 45 | 5205 | screw | 止ネジ | 30kg-cm | 2 |
| 46 | 210158 | Feed bar guide (left) | 送り台案内(左) | | 1 |
| 47 | 2902 | screw | 止ネジ | 30kg-cm | 2 |
| 48 | 208168 | gasket | パッキン | | 1 |
| 49 | 210159 | Feed bar oil seal | 送り台油切り | | 2 |
| 50 | 210160 | guide | 案内 | | 1 |
| 51 | 5346 | " screw | " 止ネジ | 20kg-cm | 4 |

| 印 Mark | 意味 | Meaning | 参照頁 Ref. page |
|-----------|--------|--------------------|------------------|
| ① | ゲージパーツ | Organization parts | 46-47 |
| ② | 組部品 | Assembly of parts | 49 |
| ③ | 専用部品 | Specific parts | 48 |

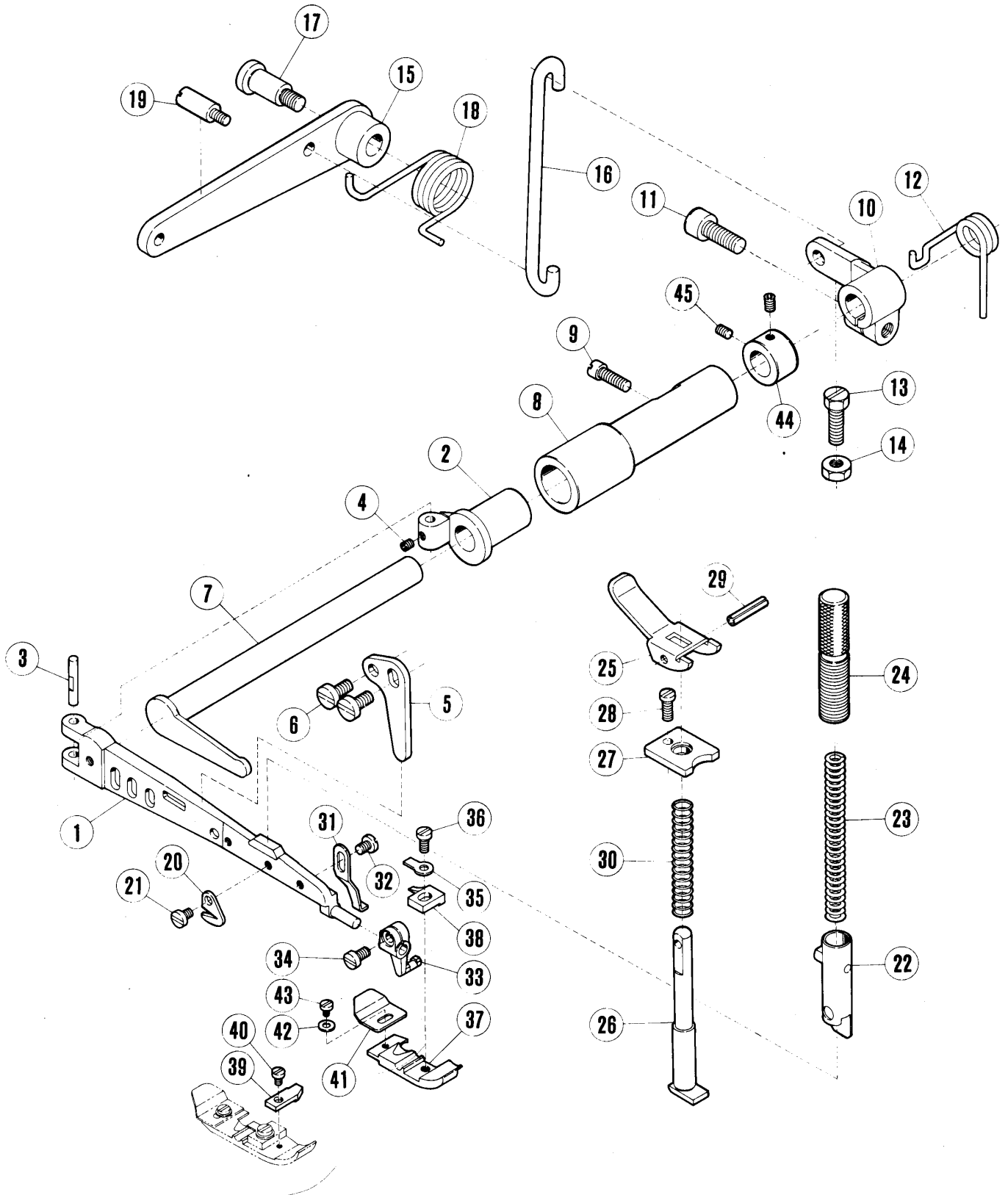


KNIFE DRIVE MECHANISM

上下メス機構

| Ref. No. | Part No. | Name | | Torque | Qt. |
|----------|-----------|------------------------------|----------|----------|-----|
| 参照番号 | 部品番号 | | 名称 | トルク | 数量 |
| 1 | 210173 | Upper knife drive connection | 上メスロッド | | 1 |
| 2 | 5376 | cap screw | 蓋ネジ | 30kg-cm | 2 |
| 3 | 210268 | Upper knife drive crank | 上メスクランク | | 1 |
| 4 | 5457 | clamp screw | 抱ネジ | 100kg-cm | 1 |
| 5 | 210175 | pin | ピン | | 1 |
| 6 | 1457 | " screw | " 止ネジ | 30kg-cm | 1 |
| 7 | 210269 | Upper knife lever | 上メス台 | | 1 |
| 8 | 210069 | oil seal | オイルシール | | 1 |
| 9 | 210068 | bushing (left) | ブッシュ(左) | | 1 |
| 10 | 210067 | " (right) | " (右) | | 1 |
| 11 | 206180 | washer | ワッシャー | | 1 |
| 12 | 201635 | collar | カラー | | 1 |
| 13 | 5060 | " screw | " 止ネジ | 25kg-cm | 2 |
| 14 | 210178 | Upper knife clamp | 上メス抱キ | | 1 |
| 15 | 2902 | screw | 止ネジ | 30kg-cm | 1 |
| 16 | 208579 | guide | 案内 | | 1 |
| 17 | ①201121 A | Upper knife | 上メス | | 1 |
| 18 | 5088 | screw | 止ネジ | 25kg-cm | 1 |
| 19 | 167066 | " washer | ワッシャー | | 1 |
| 20 | 210179 | Lower knife holder | 下メス台 | | 1 |
| 21 | 4009-1 | screw | 止ネジ | 25kg-cm | 1 |
| 22 | 210180 | guide | 案内 | | 1 |
| 23 | 201185 | " washer | " ワッシャー | | 1 |
| 24 | 5094 | " screw | " 止ネジ | 30kg-cm | 1 |
| 25 | 202340 | spring | バネ | | 1 |
| 26 | ②210183 | " retainer | " 受ケ | | 1 |
| 27 | 5117 | " " screw | " " 止ネジ | 30kg-cm | 1 |
| 28 | ①202295 | Lower knife (thick) | 下メス(厚メス) | | 1 |
| 29 | ①201127 | Lower knife (thin) | " (薄メス) | | 1 |
| 30 | 210184 | clamp | 押エ | | 1 |
| 31 | 2193 | " screw | " 止ネジ | 30kg-cm | 1 |

| 印 Mark | 意味 | Meaning | 参照頁 Ref. page |
|-----------|--------|--------------------|------------------|
| ① | ゲージパーツ | Organization parts | 46-47 |
| ② | 組部品 | Assembly of parts | 49 |
| ③ | 専用部品 | Specific parts | 48 |

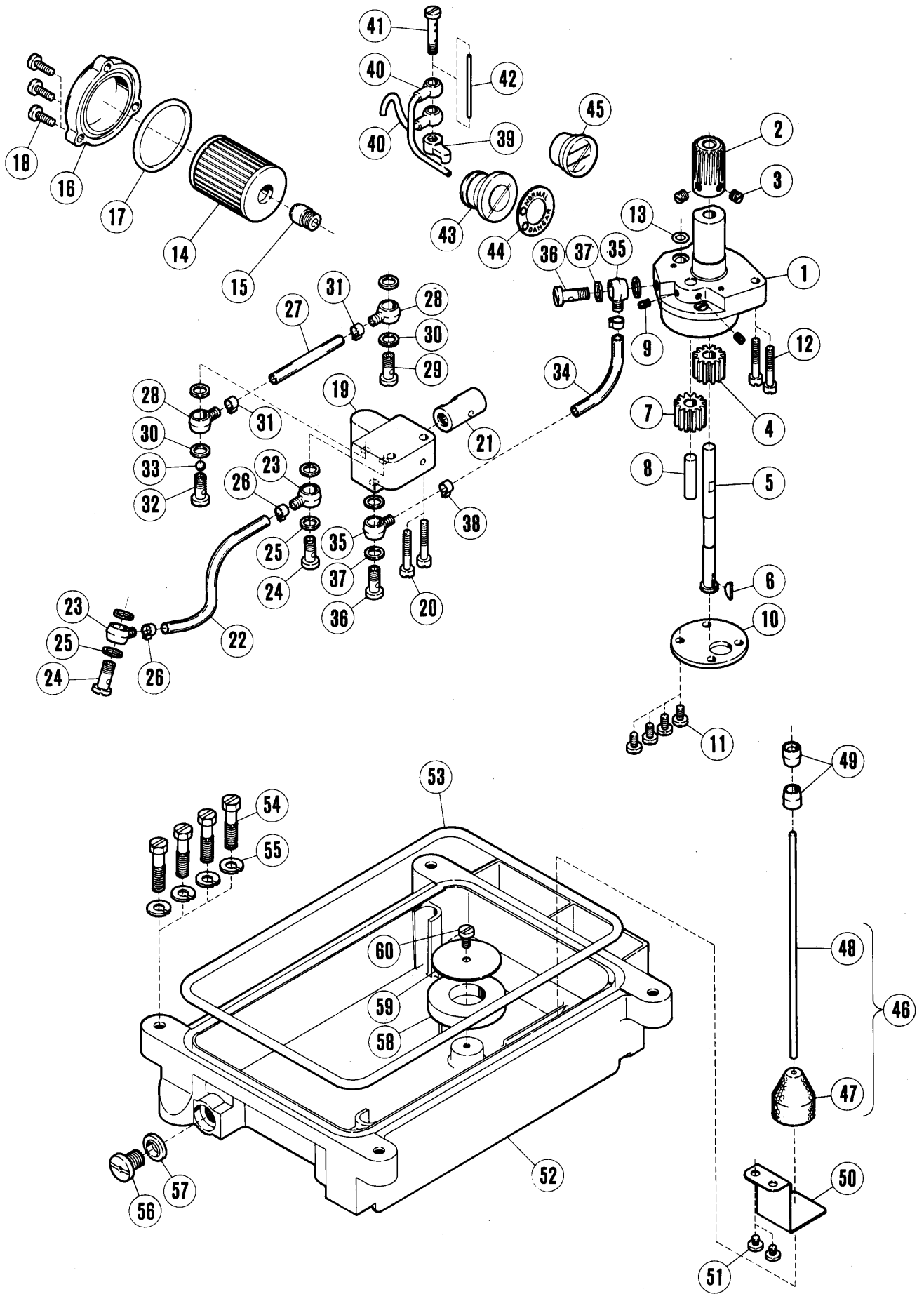


PRESSER FOOT MECHANISM

押工機構

| Ref. No. | Part No. | Name | | Torque | Qt. |
|----------|-----------|------------------------------|-----------------------|---------|-----|
| 参照番号 | 部品番号 | | 名称 | トルク | 数量 |
| 1 | 210321 | Presser arm | 押エ台 | | 1 |
| 2 | 210322 | hinge | ヒンジ | | 1 |
| 3 | 210323 | " pin | " ピン | | 1 |
| 4 | 5292 | " " screw | " " 止ネジ | 15kg-cm | 1 |
| 5 | 210517 | stopper | ストッパー | | 1 |
| 6 | 5117 | " screw | " 止ネジ | 30kg-cm | 2 |
| 7 | 210326 | Foot lift lever shaft | 押エ台軸 | | 1 |
| 8 | 210727 | bushing | ブッシュ | | 1 |
| 9 | 2133-1 | " screw | " 止ネジ | 25kg-cm | 1 |
| 10 | 210329 | Foot lift intermediate lever | 押エ揚レバー | | 1 |
| 11 | 5457 | clamp screw | 抱ネジ | 40kg-cm | 1 |
| 12 | 210330 | spring | バネ | | 1 |
| 13 | 5276 | stopper | ストッパー | | 1 |
| 14 | 5426 | " nut | " ナット | 25kg-cm | 1 |
| 15 | ②210331 | Foot lift lever | 足揚レバー | | 1 |
| 16 | 210335 | link | リンク | | 1 |
| 17 | 2285 | screw | 止ネジ | 40kg-cm | 1 |
| 18 | 210334 | spring | バネ | | 1 |
| 19 | 5481 | stopper | ストッパー | 25kg-cm | 1 |
| 20 | 202451 | Chaincutter | チェーンカッター | | 1 |
| 21 | 2921 | screw | 止ネジ | 20kg-cm | 1 |
| 22 | ②208537 | Presser arm guide | 押エ台案内 | | 1 |
| 23 | 210337 | Presser foot pressure spring | 押エ台バネ | | 1 |
| 24 | 208774 | adjust screw | 調節ネジ | | 1 |
| 25 | 208598 | Hand lift lever | 押エ手揚 | | 1 |
| 26 | 202645 | spring plunger | 軸 | | 1 |
| 27 | 208599 | " " bushing | 案内 | | 1 |
| 28 | 5029 | " " " screw | 止ネジ | 25kg-cm | 1 |
| 29 | 202647 A | hinge pin | ピン | | 1 |
| 30 | 201395 | spring | バネ | | 1 |
| 31 | 210340 | Presser foot stopper | 押エストッパー | | 1 |
| 32 | 2921 | screw | 止ネジ | | 1 |
| 33 | 208525 | Presser foot bracket | 押エホルダー | | 1 |
| 34 | 5136 | screw | 抱ネジ | 30kg-cm | 1 |
| 35 | 201156 | Presser foot set plate | 押エ止板 | | 1 |
| 36 | 5089 | screw | 止ネジ | | 1 |
| 37 | ①201152 E | Presser foot | 押エ | | 1 |
| 38 | ①201155 C | chaining-off finger | 爪 | | 1 |
| 39 | ①201265 B | uncurler | 補助押エ | | 1 |
| 40 | 1231 | " screw | " 止ネジ | 10kg-cm | 1 |
| 41 | ①210584 | fabric guard | 補助板 | | 1 |
| 42 | 210585 | " " washer (for E52-210,211) | " ワッシャー(E52-210,211用) | | 1 |
| 43 | 5030 | " " screw | " 止ネジ | 10kg-cm | 1 |
| 44 | 210728 | Thrust collar | スラストカラー | | 1 |
| 45 | 5292 | screw | 止ネジ | | 2 |

| 印 Mark | 意味 | Meaning | 参照頁 Ref. page |
|-----------|--------|--------------------|------------------|
| ① | ゲージパーツ | Organization parts | 46-47 |
| ② | 組部品 | Assembly of parts | 49 |
| ③ | 専用部品 | Specific parts | 48 |

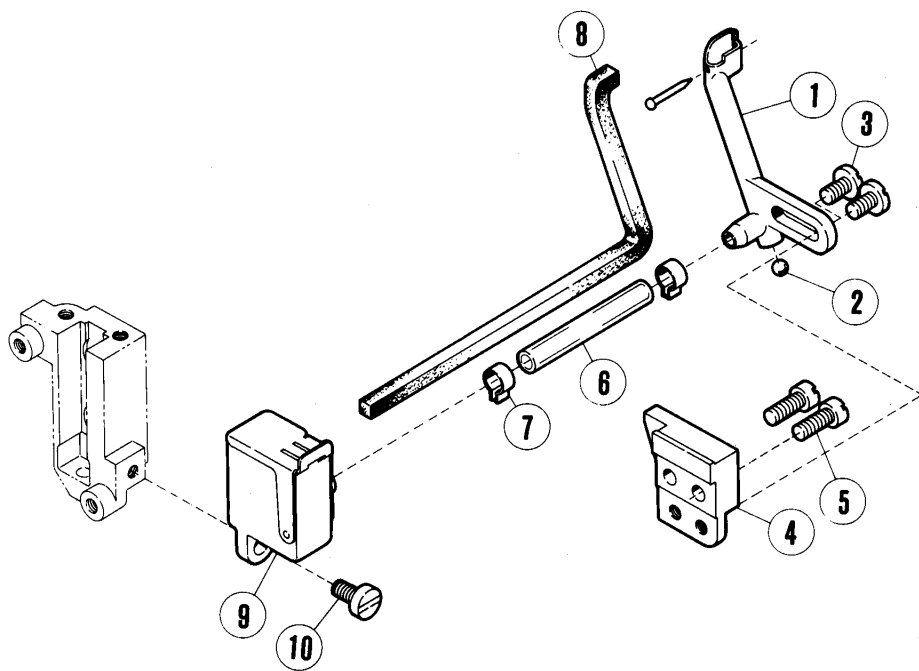


LUBRICATING MECHANISM

給油機構

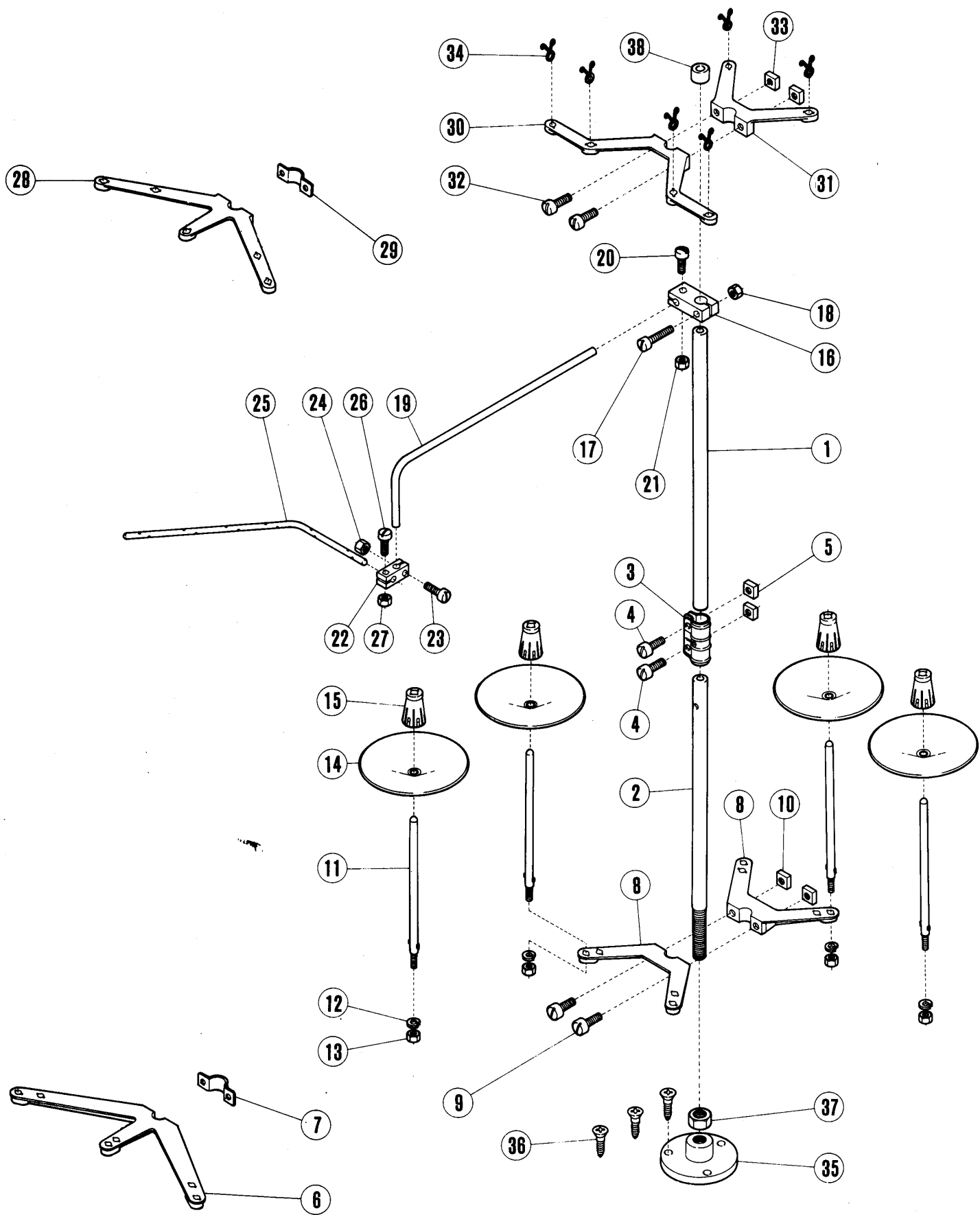
| Ref. No. | Part No. | Name | 名称 | Torque | Qt. |
|----------|-----------|---|------------------------------|---------|-----|
| 参照番号 | 部品番号 | | | トルク | 数量 |
| | ② 210189 | Gear pump, complete (includes parts of Ref. Nos. 1-11) | 給油ポンプ(組) (参照番号1~11ノ組) | | 1 |
| 1 | ② 210188 | Gear pump | 給油ポンプ本体 | | 1 |
| 2 | 210186 | Worm wheel | ウォームホイール | | 1 |
| 3 | 5060 | screw | 止ネジ | | 2 |
| 4 | 201294 | Pump gear (right) | ギヤ(A) | | 1 |
| 5 | 204183 | shaft | 軸 | | 1 |
| 6 | 201009 | " key | " キー | | 1 |
| 7 | 201295 | Pump gear (left) | ギヤ(B) | | 1 |
| 8 | 204184 | shaft | 軸 | | 1 |
| 9 | 1458 | " screw | " 止ネジ | | 2 |
| 10 | 201293 A | Gear pump casing plate | 側板 | | 1 |
| 11 | 5117 | screw | 止ネジ | | 4 |
| 12 | 5095 | Gear pump, complete screw | 給油ポンプ(組)止ネジ | | 2 |
| 13 | 204185 | Gear pump, complete gasket | " " パッキン | | 1 |
| 14 | 206233 | Oil filter | フィルター | | 1 |
| 15 | 210200 | bracket | ブラケット | | 1 |
| 16 | 210201-FD | cap | 蓋 | | 1 |
| 17 | 206431 | " gasket | " パッキン | | 1 |
| 18 | 5118 | " screw | " 止ネジ | 30kg-cm | 3 |
| 19 | ② 210207 | By-pass, complete | バイパス(組) | | 1 |
| 20 | 5094 | screw | 止ネジ | | 2 |
| 21 | ② 205635 | by-pass valve | バイパス弁(組) | | 1 |
| 22 | 205763 | Oil tube (long) | 給油パイプ(長) | | 1 |
| 23 | 200136 | joint | 継手 | | 2 |
| 24 | 200152 | " stud | " ネジ | 30kg-cm | 2 |
| 25 | 200138 | " washer | " パッキン | | 4 |
| 26 | 200155 | clamp | 止バネ | | 2 |
| 27 | 210208 | Oil tube (short) | 給油パイプ(短) | | 1 |
| 28 | 200136 | joint | 継手 | | 2 |
| 29 | 200152 | " stud | " ネジ | | 1 |
| 30 | 200138 | " washer | " パッキン | | 4 |
| 31 | 200155 | clamp | 止バネ | | 2 |
| 32 | 210210 | joint screw | 継手ネジ | | 1 |
| 33 | 200144 | joint valve | 逆止弁 | | 1 |
| 34 | 210208 | By-pass pipe | バイパスパイプ | | 1 |
| 35 | 200136 | joint | 継手 | | 2 |
| 36 | 200152 | " stud | " ネジ | 30kg-cm | 2 |
| 37 | 200138 | " washer | " パッキン | | 4 |
| 38 | 200155 | clamp | 止バネ | | 2 |
| 39 | 210202 | Lubrication block | 給油ブロック | | 1 |
| 40 | ② 210203 | Oil distributor | 噴油管 | | 2 |
| 41 | 210204 | screw | 止ネジ | 30kg-cm | 1 |
| 42 | 210205 | Oil flow adjust pin | 油量調節ピン | | 1 |
| 43 | ② 210198 | Oil monitor | 給油表示(組) | | 1 |
| 44 | 210199 | name plate | 銘板 | | 1 |
| 45 | 210190 | Oil level gauge | オイルゲージ | | 1 |
| 46 | ② 210193 | Oil level indicator, complete 210191 and 210192 | オイル指示(組) 210191, 210192ノ組 | | 1 |
| 47 | 210191 | float | フロート | | 1 |
| 48 | 210192 | indicator | オイル指示 | | 1 |
| 49 | 210194 | " guide | " 案内 | | 2 |
| 50 | 210510 | " support | " 受 | | 1 |
| 51 | 2905 | " screw | " 止ネジ | 25kg-cm | 2 |
| 52 | 210211 | Oil reservoir | オイルパン | | 1 |
| 53 | 210212 | gasket | パッキン | | 1 |
| 54 | 5133 | screw | 止ネジ | 50kg-cm | 4 |
| 55 | 202045 | " washer | " ワッシャー | | 4 |
| 56 | 5138 B | Oil drain plug screw | 排油穴蓋ネジ | 30kg-cm | 1 |
| 57 | 202287 A | washer | パッキン | | 1 |
| 58 | 210520 | Magnet | マグネット | | 1 |
| 59 | 210521 | bracket | 台座 | | 1 |
| 60 | 5117 | " screw | " 止ネジ | 30kg-cm | 1 |

| 印 Mark | 意味 | Meaning | 参照頁 Ref. page |
|-----------|--------|--------------------|------------------|
| ① | ゲージパーツ | Organization parts | 46-47 |
| ② | 組部品 | Assembly of parts | 49 |
| ③ | 専用部品 | Specific parts | 48 |



| Ref. No. | Part No. | Name | | Torque | Qt. |
|----------|----------|----------------------------------|---------------|---------|-----|
| 参照番号 | 部品番号 | | 名 称 | トルク | 数量 |
| 1 | 210213 | Needle cooler | 針冷却器 | | 1 |
| 2 | 210214 | plug | 栓 | | 1 |
| 3 | 4009-1 | screw | 止ネジ | | 2 |
| 4 | 210215 | bracket | ブラケット | | 1 |
| 5 | 5002 | " screw | " 止ネジ | 30kg-cm | 2 |
| 6 | 206340 A | Silicone oil tube | シリコンパイプ | | 1 |
| 7 | 200155 | clamp | 止バネ | | 2 |
| 8 | 204270 | felt | フェルト | | 1 |
| 9 | ② 210539 | Silicone oil reservoir, complete | シリコンタンク(下)(組) | | 1 |
| 10 | 5117 | screw | 止ネジ | 35kg-cm | 1 |

| 印 Mark | 意 味 | Meaning | 参 照 頁 Ref. page |
|-----------|--------|--------------------|--------------------|
| ① | ゲージパーツ | Organization parts | 46-47 |
| ② | 組 部 品 | Assembly of parts | 49 |
| ③ | 専用部品 | Specific parts | 48 |



THREAD STAND

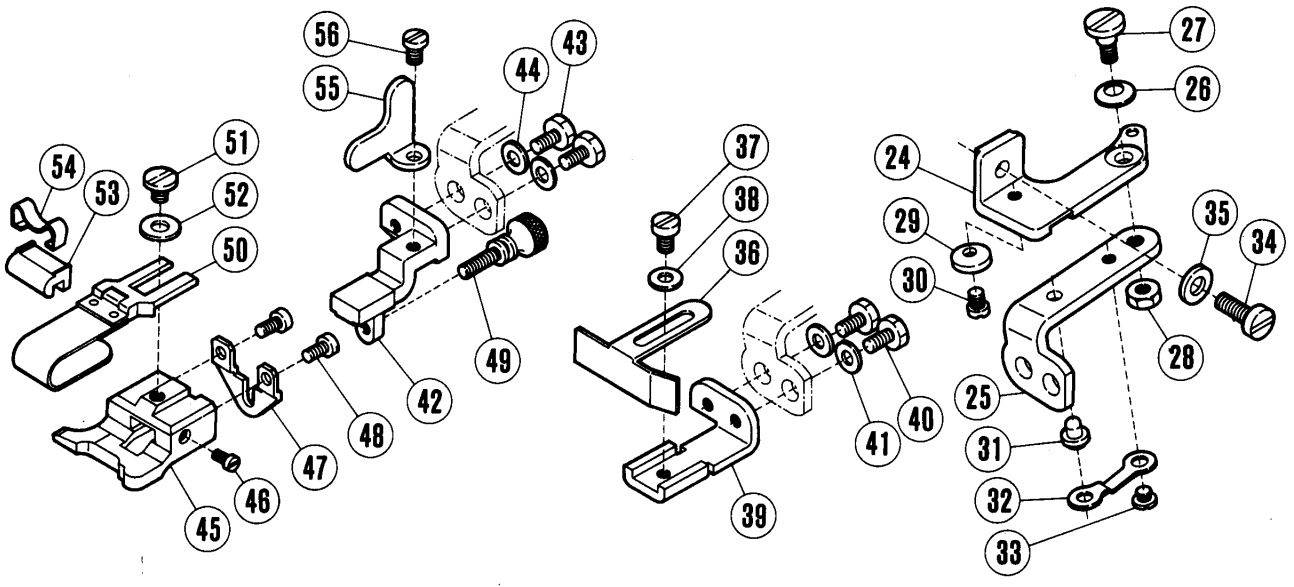
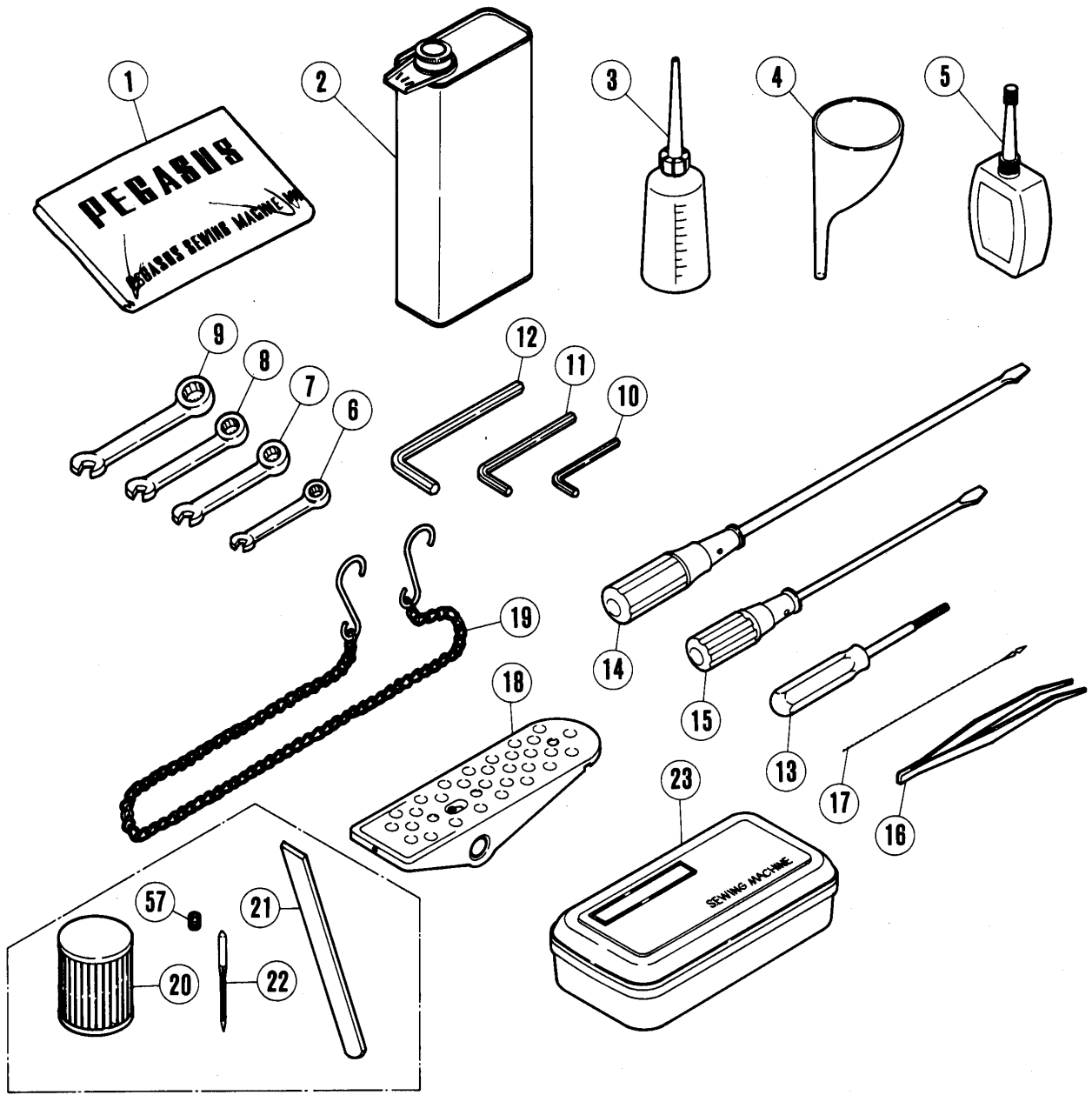
糸立台 Quantity
使用数量
Spools

| Ref. No. | Part No. | Name | 名称 | Quantity | |
|----------|----------|-----------------------------------|--------------|----------|-----|
| | | | | 3 | 4 |
| 参照番号 | 部品番号 | | | 3本立 | 4本立 |
| | 369 | Thread stand, complete - 3 spools | 3本立(組) | 1 | — |
| | 370 | " " " - 4 spools | 4本立(組) | — | 1 |
| 1 | 385 | Thread stand upper rod | スタンド棒(上) | 1 | 1 |
| 2 | 388 | " " lower rod | " (下) | 1 | 1 |
| 3 | 387 | Joint | ジョイント | 1 | 1 |
| 4 | 4013 | screw | 止ネジ | 2 | 2 |
| 5 | 4750 | nut | 止ナット | 2 | 2 |
| 6 | 373 | Spool pin bracket (large) | 糸巻立取付台(大) | 1 | — |
| 7 | 375 | Clamp plate | 締付金具 | 1 | — |
| 8 | 374 | Spool pin bracket (small) | 糸巻立取付台(小) | — | 2 |
| 9 | 4013 | screw | 止ネジ | 2 | 2 |
| 10 | 4750 | nut | ナット | 2 | 2 |
| 11 | 380 | Spool pin | 糸巻立棒 | 3 | 4 |
| 12 | 201252 | spring washer | バネ座金 | 3 | 4 |
| 13 | 4803 | nut | ナット | 3 | 4 |
| 14 | 381 | Spool tray | 糸巻受皿 | 3 | 4 |
| 15 | 382 | Spool retaining fin | " ユレ止メ | 3 | 4 |
| 16 | 383 | Thread guide bar rod bracket | 中間糸道棒腕取付台 | 1 | 1 |
| 17 | 4014 | clamp screw | 抱締ネジ | 1 | 1 |
| 18 | 4803 | nut | ナット | 1 | 1 |
| 19 | 384 | Thread guide bar rod | 中間糸道棒腕 | 1 | 1 |
| 20 | 4012 | clamp screw | 抱締ネジ | 1 | 1 |
| 21 | 4803 | nut | ナット | 1 | 1 |
| 22 | 233 | Thread guide bar holder | 中間糸道棒ホルダー | 1 | 1 |
| 23 | 4012 | clamp screw | 抱締ネジ | 1 | 1 |
| 24 | 4803 | nut | ナット | 1 | 1 |
| 25 | 293 | Thread guide bar | 中間糸道棒 | 1 | 1 |
| 26 | 4012 | clamp screw | 抱締ネジ | 1 | 1 |
| 27 | 4803 | nut | ナット | 1 | 1 |
| 28 | 377 | Thread guide bracket (large) | 糸案内取付台(大) | 1 | — |
| 29 | 375 | Clamp plate | 締付金具 | 1 | — |
| 30 | 378 | Thread guide bracket (medium) | 糸案内取付台(中) | — | 1 |
| 31 | 379 | " " " (small) | " (小) | — | 1 |
| 32 | 4013 | screw | 止ネジ | 2 | 2 |
| 33 | 4750 | nut | 止ナット | 2 | 2 |
| 34 | 376 | Thread guide | 糸案内 | 5 | 6 |
| 35 | 306468 | Thread stand base | 糸立取付土台 | 1 | 1 |
| 36 | 4913 | screw | 止ネジ | 3 | 3 |
| 37 | 5476 | Thread stand lower rod nut | スタンド棒(下)止ナット | 1 | 1 |
| 38 | 386 | Thread stand upper rod cap | " (上)キャップ | 1 | 1 |

PARTS FOR SEMI-SUBMERGED INSTALLATION

半沈床式据付付属品

| Ref. No. | Part No. | Name | | Torque | Qt. |
|----------|----------|---|-------------------------------|--------|-----|
| 参照番号 | 部品番号 | | 名称 | トルク | 数量 |
| 1 | 205466 | Machine rest board | マシン据付台 | | 1 |
| | 9029 | Cushion rubber set (includes parts of Ref. Nos. 2 and 3) | クッションゴム(組) (参照番号2, 3ノ組) | | 1 |
| 2 | 205473 | cushion rubber (with pin) | クッションゴム(ピン付) | | 3 |
| 3 | 210523 | " rubber | " (ピン無) | | 1 |
| 4 | 4513 | Hanger bolt | ハンガーボルト | | 4 |
| 5 | 206336 | nut | ナット | | 4 |
| 6 | 205764 | rubber | ゴム | | 4 |
| 7 | 205765 | liner | ライナー | | 4 |
| 8 | 205467 | Spacer (large) | スペーサー(大) | | 12 |
| 9 | 206337 | " (small) | " (小) | | 8 |
| 10 | 205470 | Waste chute top | 切クズ受 | | 1 |
| 11 | 4904 | screw | 止ネジ | | 3 |
| | 9106 | Waste chute set (includes parts of Ref. Nos. 12 and 13) | 切クズ受シュート(組) (参照番号12, 13ノ組) | | 1 |
| 12 | 205468 | chute (upper) | シュート(上) | | 1 |
| 13 | 205469 | chute (lower) | " (下) | | 1 |
| 14 | 4905 | screw | 止ネジ | | 4 |
| 15 | 206337 | Hanger bolt rubber washer | ハンガーボルトゴムワッシャー | | 8 |



ACCESSORIES/ATTACHMENTS

付属品/アタッチメント

| Ref. No. | Part No. | Name | Torque | Qt. |
|----------|----------|--|--------|-----|
| 参照番号 | 部品番号 | 名称 | トルク | 数量 |
| 1 | 905 | Machine dust cover | | 1 |
| 2 | 326 | Oil container (1000cc) | | 1 |
| 3 | 132 | Oiler | | 1 |
| 4 | 135 A | Oil funnel | | 1 |
| 5 | 178 | Silicone oil container (50cc) | | 1 |
| 6 | 282 | Wrench - 5mm | | 1 |
| 7 | 283 | " - 6mm | | 1 |
| 8 | 284 | " - 7mm | | 1 |
| 9 | 285 | " - 8mm | | 1 |
| 10 | 322 | Allen key - 2.38mm. 3/32" | | 1 |
| 11 | 200 | " " - 4.76mm. 3/16" | | 1 |
| 12 | 272 | " " - 6.0mm. 15/64" | | 1 |
| 13 | 179 | Socket wrench | | 1 |
| 14 | 127 | Screwdriver (large) | | 1 |
| 15 | 128 | " (small) | | 1 |
| 16 | 131 | Tweezers | | 1 |
| 17 | 153 | Threading wire | | 1 |
| 18 | 245 | Treadle | | 1 |
| 19 | 126 | Treadle chain | | 1 |
| 20 | 206233 | Oil filter | | 1 |
| 21 | | Lower knife (see page 42) | | 2 |
| 22 | | Needle (see page 42) | | 10 |
| 23 | 123 | Accessory box | | 1 |
| | 210685 | Cloth guide bracket, complete (includes parts of Ref. Nos. 24-33) | | 1 |
| 24 | 210680 | Cloth guide bracket | | 1 |
| 25 | 210681 | hinge | | 1 |
| 26 | 201191 | " washer | | 1 |
| 27 | 5184 | " screw | | 1 |
| 28 | 3044 | " nut | | 1 |
| 29 | 210682 | " stopper | | 1 |
| 30 | 5053 | " " screw | | 1 |
| 31 | 210683 | " pin | | 1 |
| 32 | 210684 | " spring | | 1 |
| 33 | 2906 | " " screw | | 1 |
| 34 | 5118 | screw | | 1 |
| 35 | 202286 | washer | | 1 |
| 36 | 204667 | Edge guide | | 1 |
| | 210687 | Edge guide bracket, complete (includes parts of Ref. Nos. 37-41) | | 1 |
| 37 | 1216 | Edge guide screw | | 1 |
| 38 | 200821 | washer | | 1 |
| 39 | 210686 | Edge guide bracket | | 1 |
| 40 | 5088 | screw | | 2 |
| 41 | 137906 | washer | | 2 |
| | 210691 | Cloth guide, complete with parts of Ref. Nos. 42-49 and 51, 52 | | 1 |
| 42 | 210690 | Cloth guide bracket | | 1 |
| 43 | 5088 | screw | | 2 |
| 44 | 137906 | washer | | 2 |
| 45 | 205361 | Cloth guide | | 1 |
| 46 | 5057 | screw | | 1 |
| 47 | 210689 | regulating plate | | 1 |
| 48 | 1196 | " " screw | | 2 |
| 49 | 2430 | " " screw | | 1 |
| 50 | 205678 | Folder, complete - 20mm | | 1 |
| | 205679 | " " - 26mm | | 1 |
| | 201211 B | " " - 40mm | | 1 |
| | 205456 | " " - 51mm | | 1 |
| 51 | 2905 | screw | | 1 |
| 52 | 201185 | washer | | 1 |
| 53 | 303312 A | regulator | | 1 |
| 54 | 303313 | " clamp | | 1 |
| 55 | 210692 | stopper | | 1 |
| 56 | 1206 | " screw | | 1 |
| 57 | 5292 | Needle screw | | 2 |

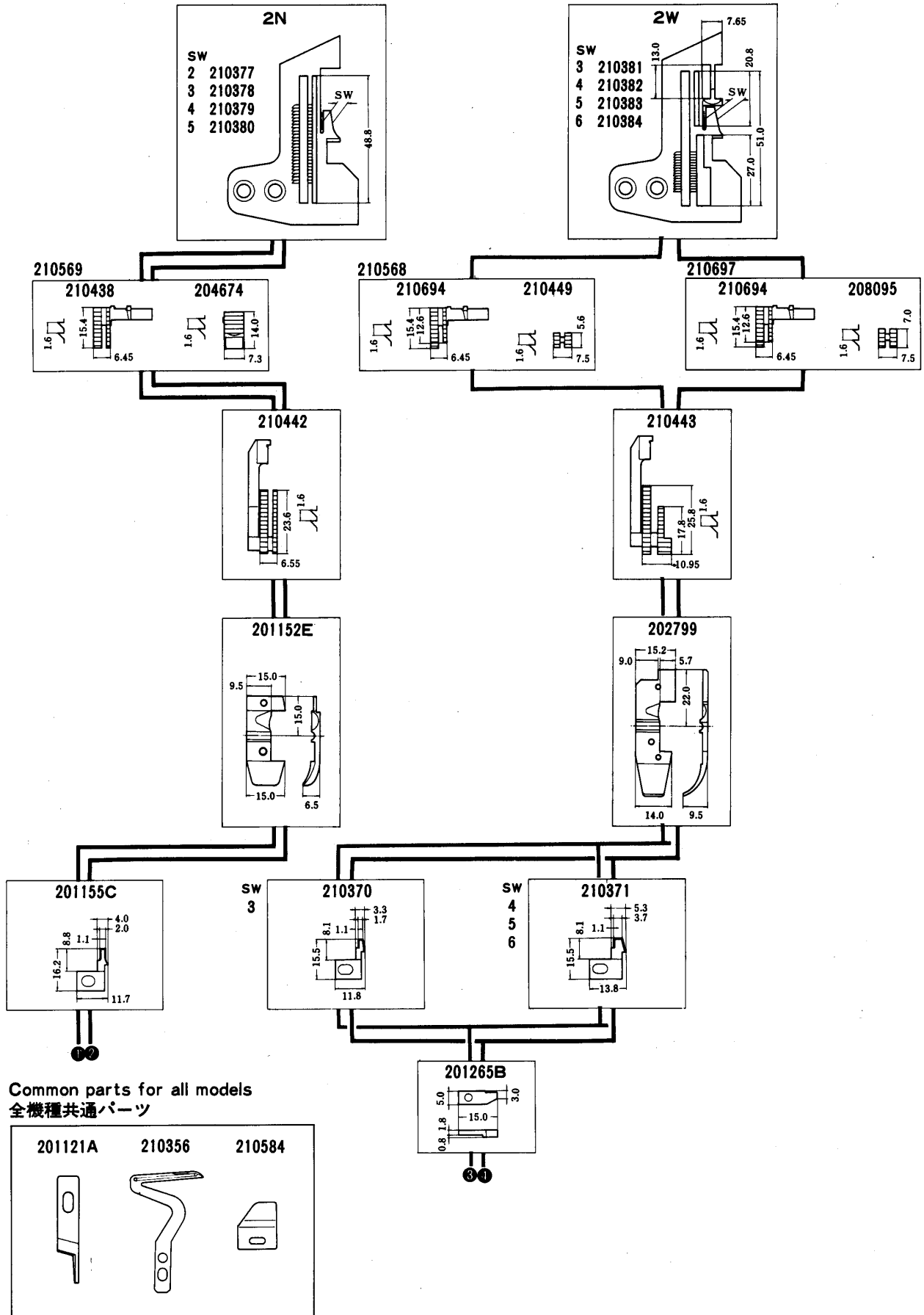
**ORGANIZATION PARTS
CONSTRUCTION CHART**

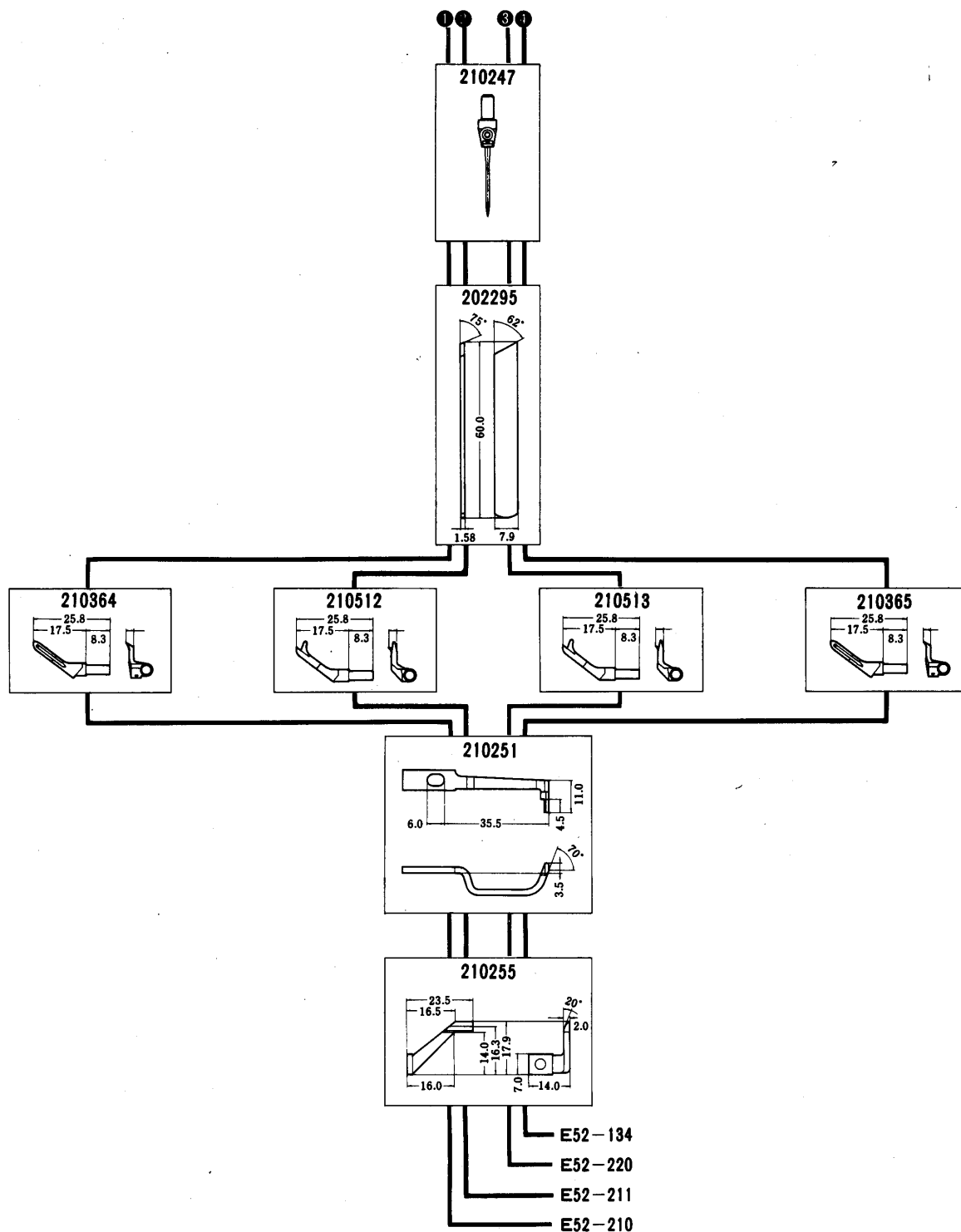
Number of needles: one
Type of feed: 2-row

④ ① ② ③
E52-134·210·211·220

ゲージパーツ系列構成図

針数：1本
送り形式：2列





E52-134
E52-220
E52-211
E52-210

| Machine type no. | Specification gauge | Differential feed ratio | Max. stitch length | 用途 (用途例) | Operation (example) |
|------------------|--|-------------------------|--------------------|--|---|
| 形式 | 仕様 ゲージ | 差動比 | 最大縫目長さ | | |
| E 52-134 | 504-233-W 3 " W 4 " W 5 " W 6 | 1:0.7-1:2 | 3.6mm (7SPI) | 薄生地、中厚生地の地縫 (婦人子供服・スポーツウェア) | Seaming on light to medium heavy materials. (ladies' and children's wear, sports wear, etc.) |
| E 52-220 | 503-233-W 3 " W 4 " W 5 " W 6 | 1:0.7-1:1.3 | 4.8mm (5SPI) | 中厚生地のサージング (学生服・ズボン・ジャケット) | Serging on medium weight woven materials. (trousers, jackets, etc.) |
| E 52-211 | 503-223-N 2 " N 3 " N 4 " N 5 | 1:0.7-1:2 | 3.6mm (7SPI) | 薄生地、中厚生地の裾引。 2本糸 (一般メリヤス肌着:U首シャツ・ランニング・ショーツ) | Blindstitch hemming and also for plain overedging on underwear. 2-thread. 'T' and atheletic shirts, briefs, etc. |
| E 52-210 | 505-223-N 2 N 3 N 4 N 5 | 1:0.7-1:2 | 3.6mm (7SPI) | 薄生地、中厚生地の裾引及び地縫。3本糸 (一般メリヤス肌着:U首シャツ・ランニング・ショーツ) | Blindstitch hemming and also for plain overedging on underwear. 3-thread, 'T' and atheletic shirts, briefs, etc. |

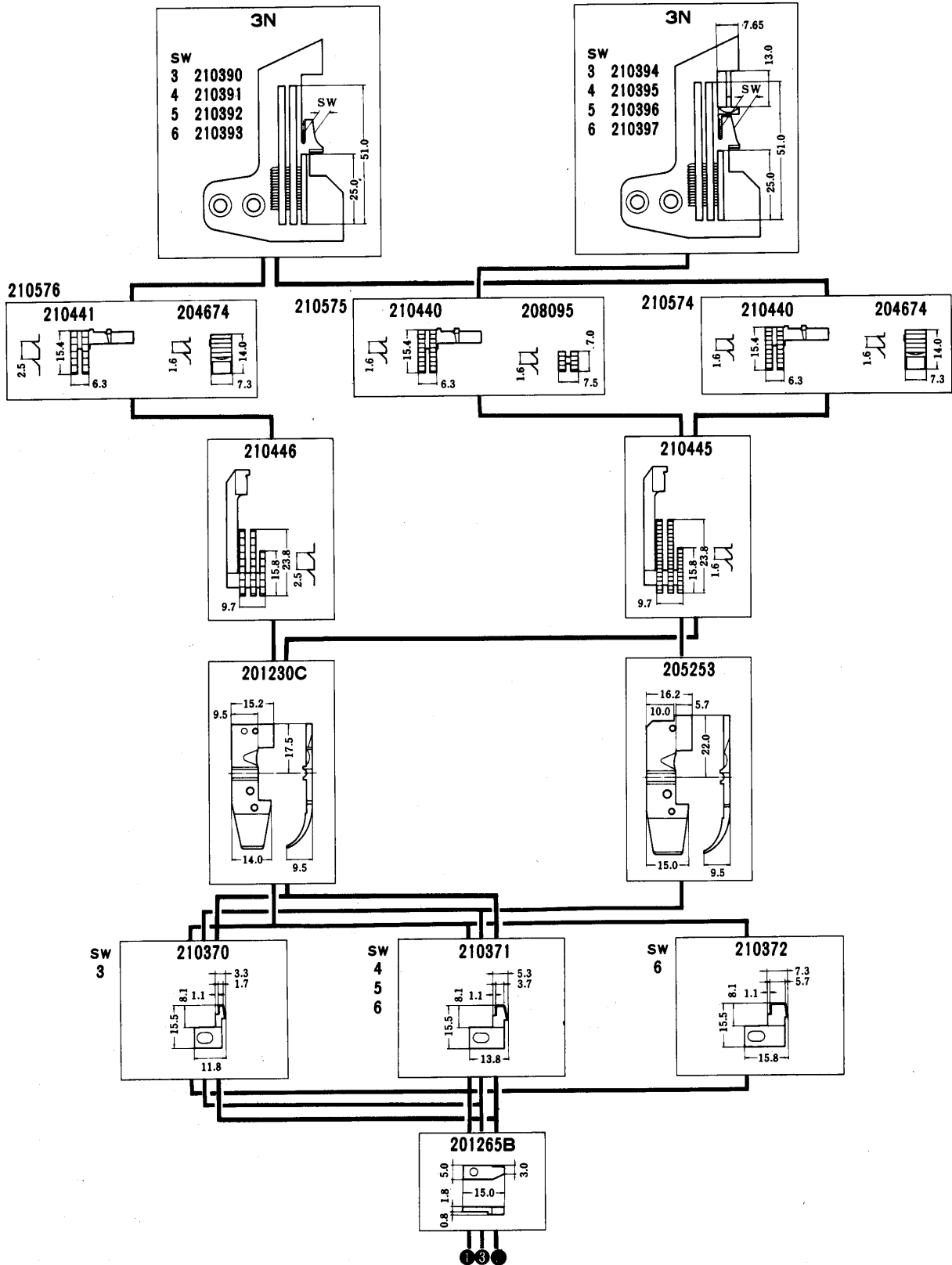
**ORGANIZATION PARTS
CONSTRUCTION CHART**

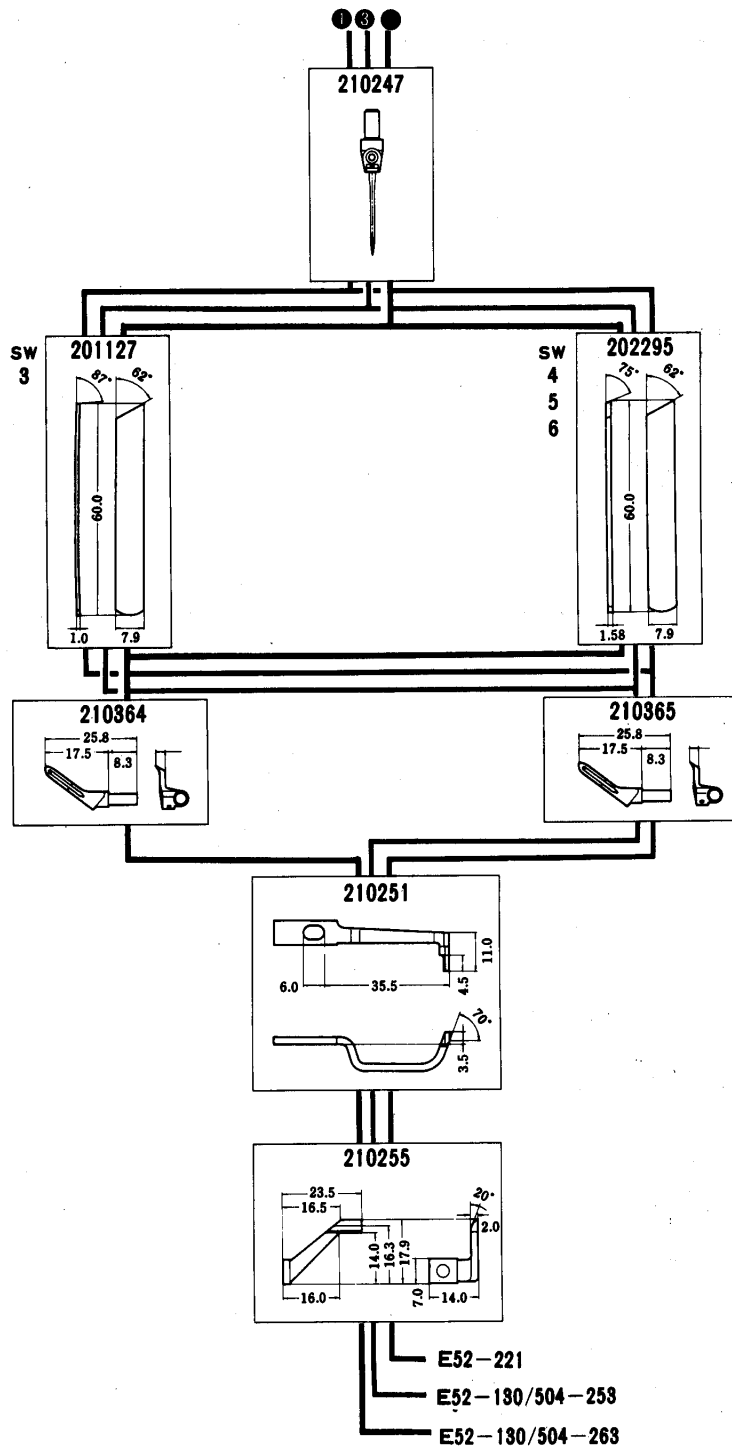
Number of needles: one
Type of feed: 3-row Narrow

②③ ①
E52-130-221

ゲージパーツ系列構成図

針数：1本
送り形式：3列





| Machine type no. | Specification gauge | Differential feed ratio | Max. stitch length | 用途 (用途例) | Operation (example) |
|------------------|---------------------|-------------------------|--------------------|-------------------------------|--|
| 形 式 | 仕 様 ゲージ | 差 動 比 | 最大縫目長さ | | |
| E 52-130 | 504-253-W 3 | 1:0.7-1:2 | 3.6mm (7SPI) | 薄生地、中厚生地の地縫 (メリヤス肌着・婦人子供服) | General plain seaming on light to medium heavy materials. (knit underwear, ladies' and children's wear) |
| | " W 4 | | | | |
| | " W 5 | | | | |
| | " W 6 | | | | |
| | 504-263-N 3 | 1:0.7-1:2 | 3.6mm (7SPI) | 中厚生地の地縫 (ベッドカバー・椅子カバー) | Plain seaming on medium heavy materials. (bed-spreader, slipcover, etc.) |
| | " N 4 | | | | |
| " N 6 | | | | | |
| E 52-221 | 504-363-W 3 | 1:0.7-1:2 | 3.6mm (7SPI) | 厚生地のサージング (ジーンズ) | Serging on heavy woven fabrics. (jeans.) |
| | " W 4 | | | | |
| | " W 5 | | | | |
| | " W 6 | | | | |

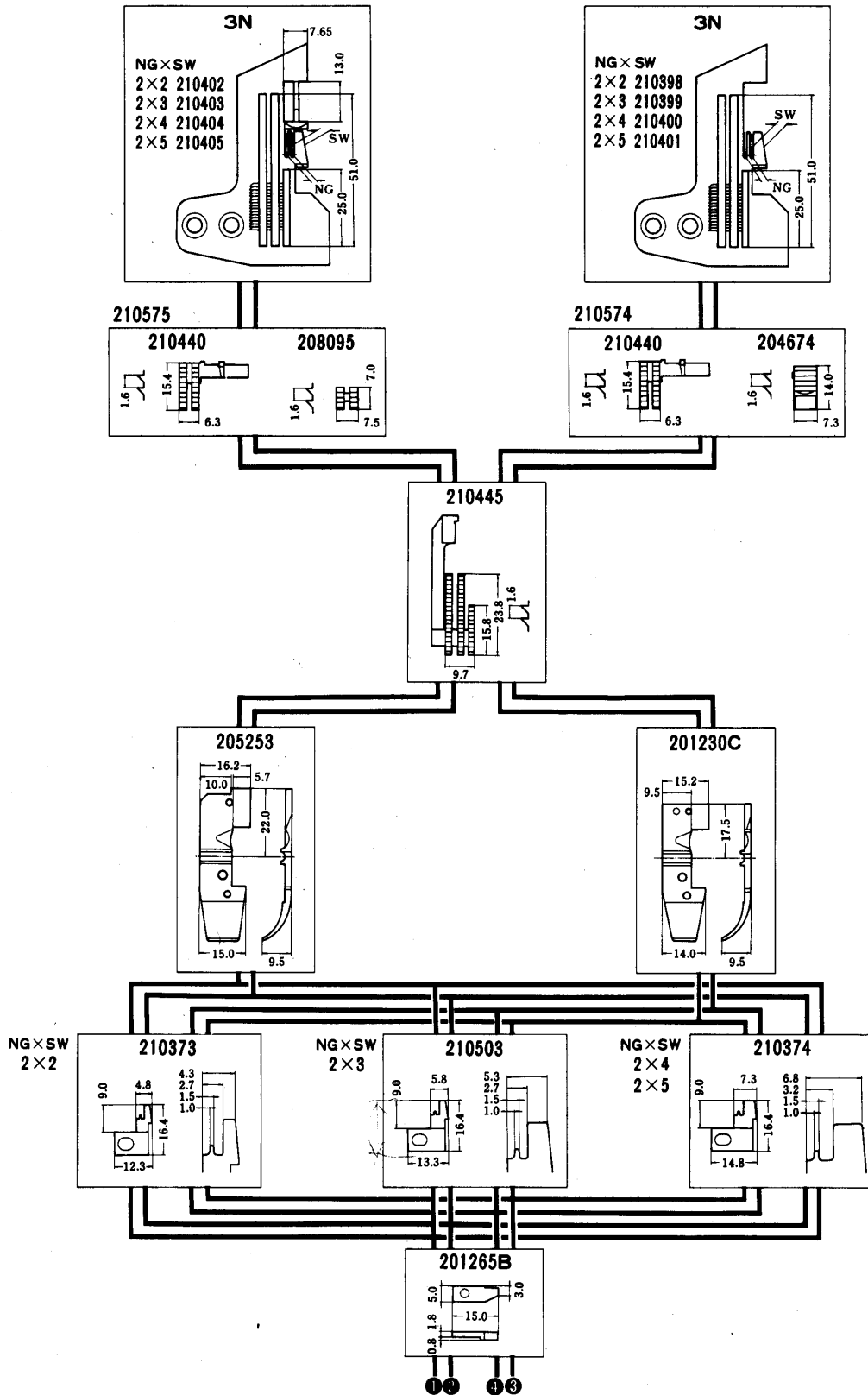
**ORGANIZATION PARTS
CONSTRUCTION CHART**

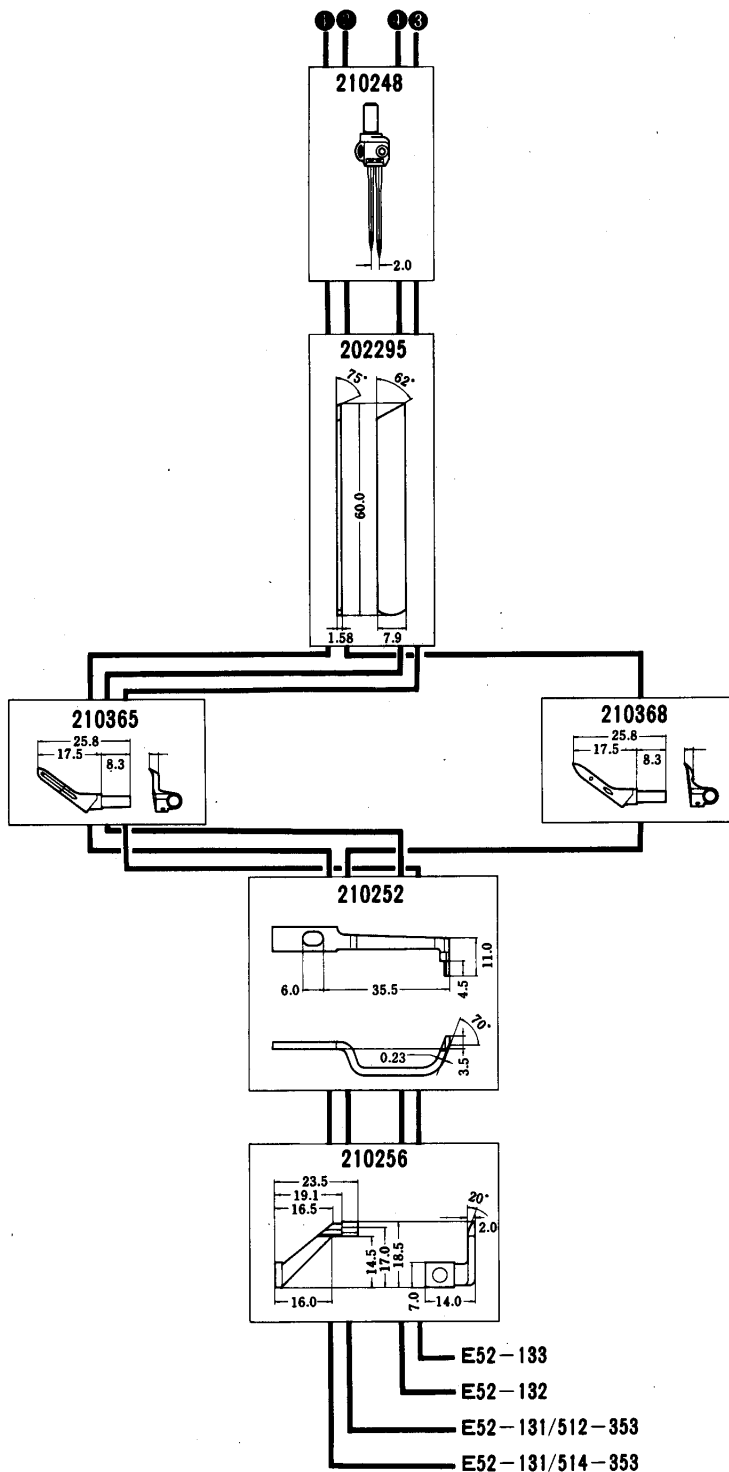
Number of needles: two
Type of feed: 3-row Narrow

① ② ③ ④
E52-131-132-133

ゲージパーツ系列構成図

針数：2本
送り形式：3列巾狭





| Machine type no. | Specification gauge | Differential feed ratio | Max. stitch length | 用途 (用途例) | Operation (example) |
|------------------|---------------------|-------------------------|--------------------|---|---|
| 形式 | 仕様 ゲージ | 差動比 | 最大縫目長さ | | |
| E 52-131 | 514-353-W 2 × 2 | 1:0.7-1:2 | 3.6mm (7SPI) | 薄生地、中厚生地の地縫 (セーター・水着・スリーマ) | General plain seaming on light to medium heavy knit materials. (sweater, swim suit, ladies' undershirt, etc.) |
| | " W 2 × 3 | | | | |
| | " W 2 × 4 | | | | |
| E 52-132 | 512-353-W 2 × 2 | 1:0.7-1:2 | 3.6mm (7SPI) | 薄生地、中厚生地の地縫 (水着・パジャマ・作業服・婦人・子供服・事務服・カッターシャツ) | Plain seaming on light to medium heavy weight materials. (swim suit, pajama, ladies' and children's wear, dress shirt, etc.) |
| | " W 2 × 3 | | | | |
| | " W 2 × 4 | | | | |
| E 52-133 | 514-363-W 2 × 2 | 1:1-1:3 | 2.5mm (10SPI) | 中厚生地の地縫及びステ縫 (セーター・カーディガン・ガードル・水着) | Plain seaming and overedging on medium heavy knit materials. (sweater, cardigan, girdles, swim suit, etc.) |
| | " W 2 × 3 | | | | |
| | " W 2 × 4 | | | | |
| E 52-133 | 514-363-N 2 × 2 | 1:0.7-1:2 | 3.6mm (7SPI) | 薄生地、中厚生地の地縫及びステ縫 (メリヤス肌着・婦人服・カジュアルウェア) | Plain seaming and serging on light to medium heavy knit materials. (knit underwear, ladies' and children's wear, etc) |
| | " N 2 × 3 | | | | |
| | " N 2 × 4 | | | | |

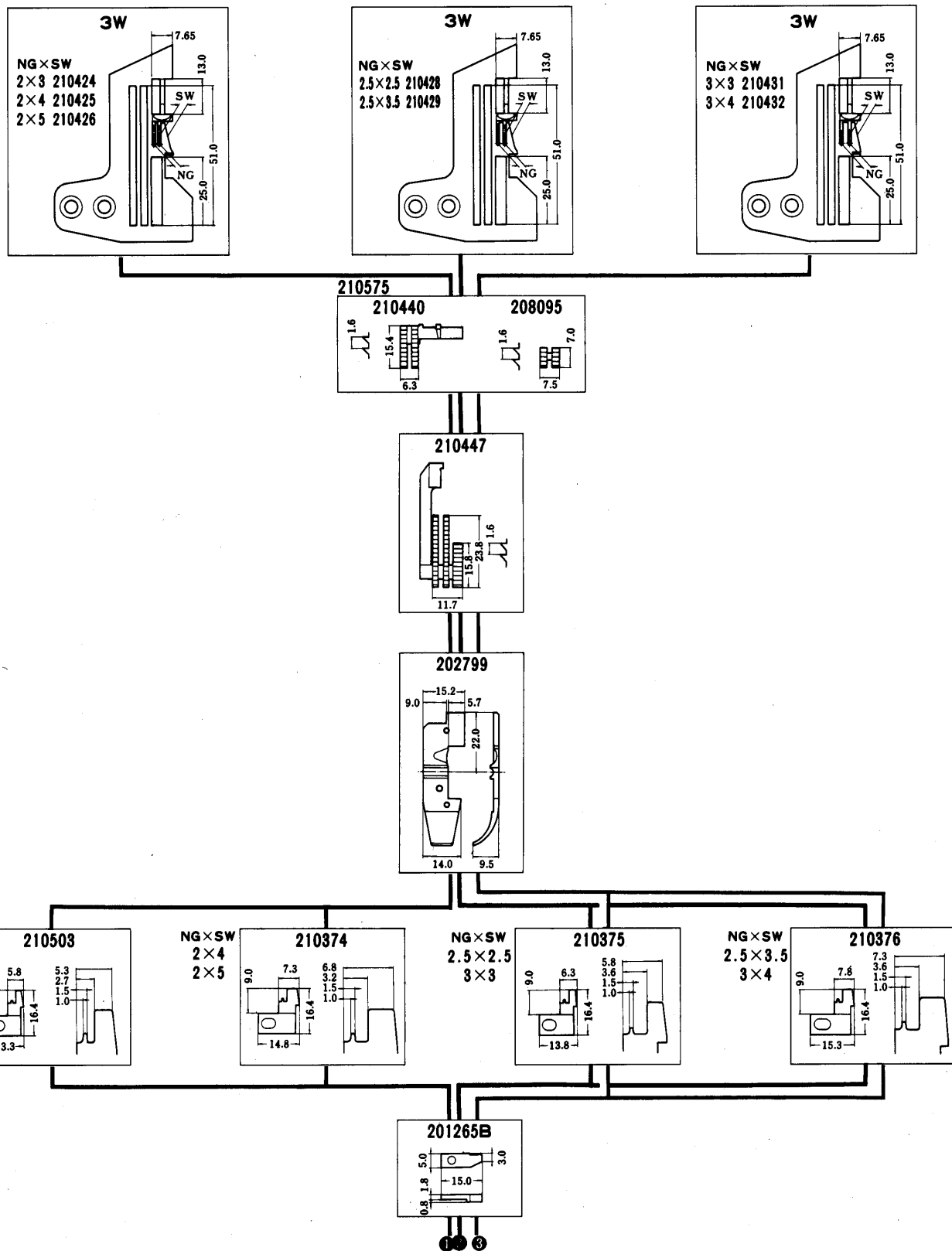
**ORGANIZATION PARTS
CONSTRUCTION CHART**

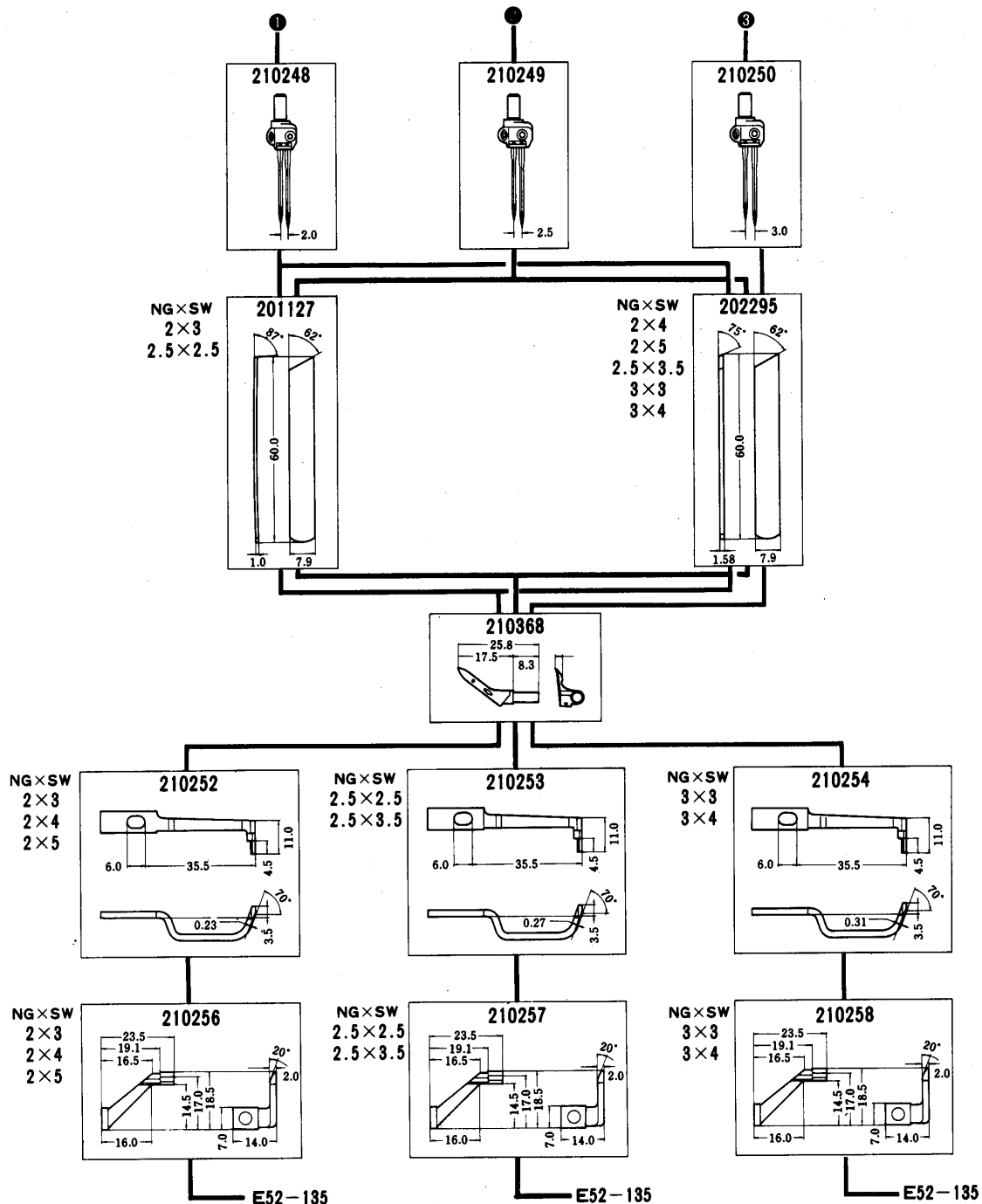
Number of needles: two
Type of feed: 3-row Wide

①②③
E52-135

ゲージパーツ系列構成図

針数：2本
送り形式：3列巾広





| Machine type no. | Specification gauge | Differential feed ratio | Max. stitch length | 用途 (用途例) | Operation (example) |
|------------------|---------------------|-------------------------|--------------------|-------------------------|---|
| 形式 | 仕様 ゲージ | 差動比 | 最大縫目長さ | | |
| E52-135 | 512-373-W2×3 | 1:0.7-1:2 | 3.6mm (7SPI) | 中厚生地の地縫 (水着、セーター、ガードル等) | Two needle seaming. (Swim suits, sweater, girdle, etc.) |
| | " W2×4 | | | | |
| | " W2×5 | | | | |
| | " W2.5×2.5 | | | | |
| | " W2.5×3.5 | | | | |
| | " W3×3 | | | | |
| " W3×4 | | | | | |

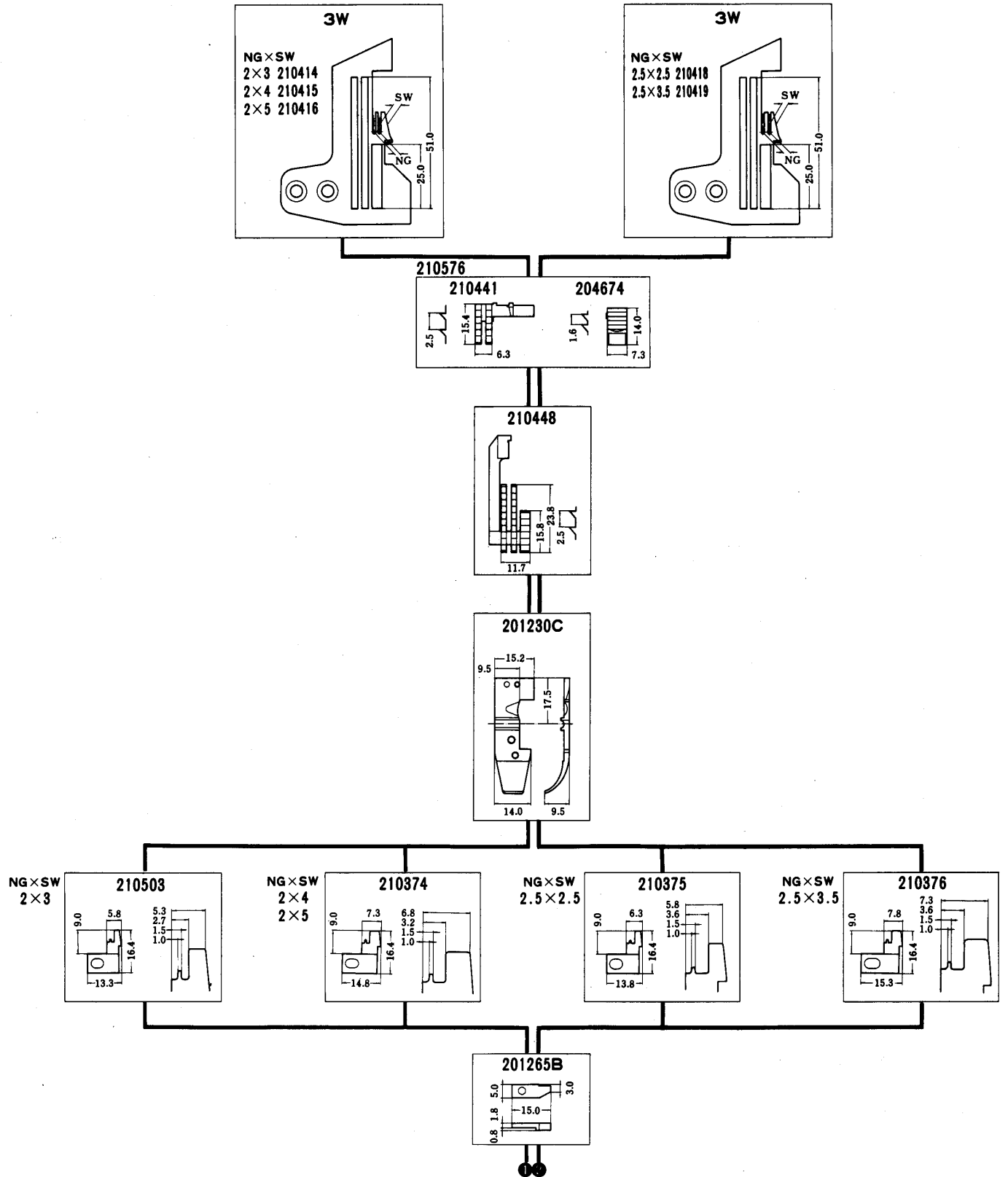
**ORGANIZATION PARTS
CONSTRUCTION CHART**

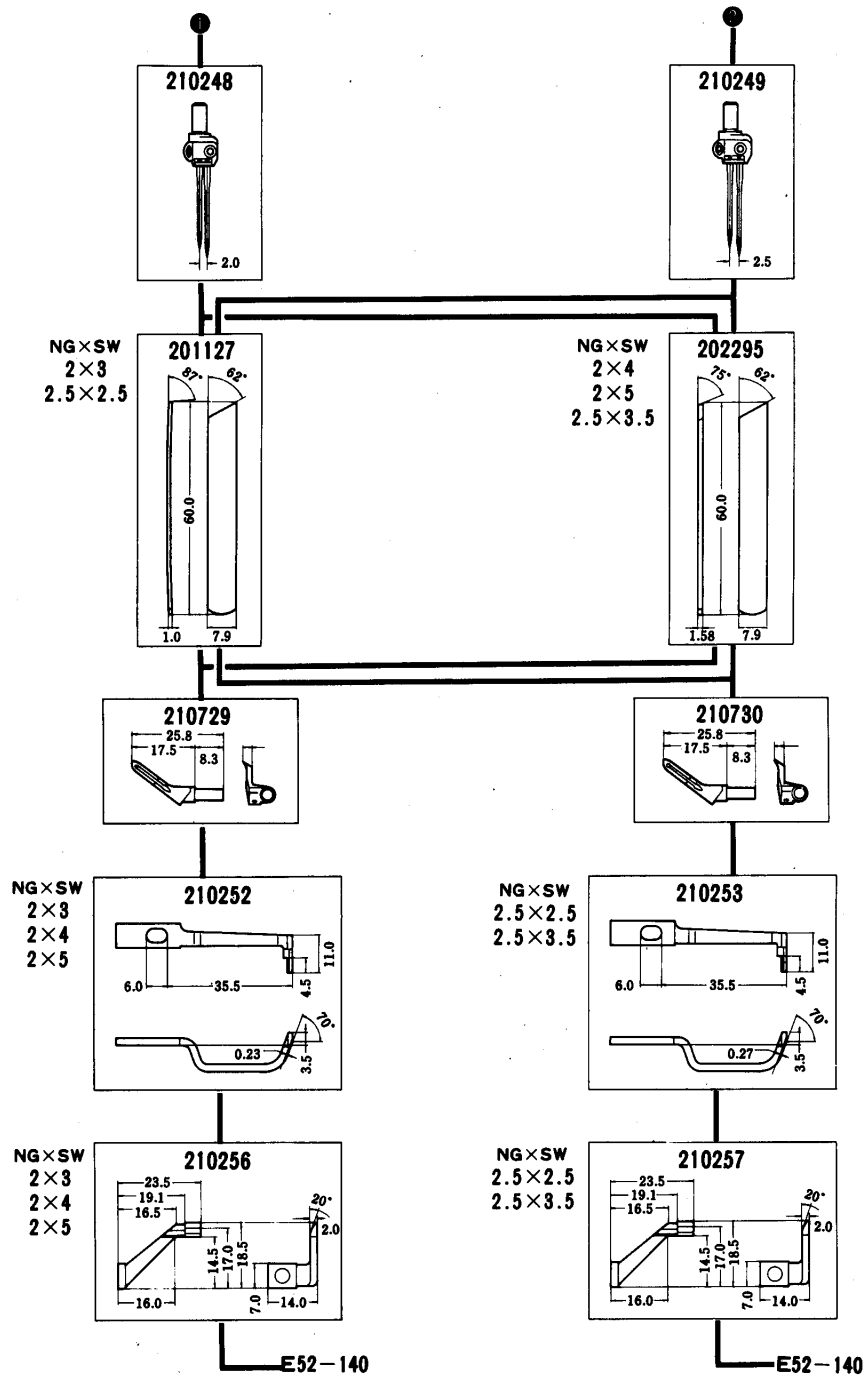
Number of needles: two
Type of feed: 3-row Wide

①②
E52-140

ゲージパーツ系列構成図

針数：2本
送り形式：3列巾広





| Machine type no. | Specification gauge | Differential feed ratio | Max. stitch length | 用途 (用途例) | Operation (example) |
|------------------|---------------------|-------------------------|--------------------|------------------------------|---|
| 形 式 | 仕 様 ゲージ | 差 動 比 | 最大縫目長さ | | |
| E 52-140 | 514-385-W2×3 | 1:1-1:1.3 | 2.5mm (10SPI) | 厚生地(毛編物)の地縫 (セーター、カーディガン) | Two needle seaming on bulky knit wear. (Sweater, cardigan, etc.) |
| | " W2×4 | | | | |
| | " W2×5 | | | | |
| | " W2.5×2.5 | | | | |
| " W2.5×3.5 | | | | | |

LIST OF ORGANIZATION PARTS

| Machine type no. | Specification gauge | Needle plate | Main feed dog complete | Diff. feed dog | Presser foot | | | Needle holder | Lower knife | Upper looper | Needle guard | | Factory-set needle | |
|------------------|---------------------|--------------|------------------------|----------------|--------------|----------|------------|---------------|-------------|--------------|--------------|--------|--------------------|---------------|
| | | | | | body | finger | fab. guard | | | | front | rear | | |
| 形式 | 仕様 | 針板 | 主送り歯(組) | 差送り歯 | 押エ | 押エ爪 | 補助押エ | 針留 | 下メス | 上ルーバー | 針受(前) | 針受(後) | 使用針 | |
| E52-130 | 504-253-W3 | 210394 | 210575 | 210445 | 205253 | 210370 | 201265 B | 210247 | 201127 | 210365 | 210251 | 210255 | D C×27 #14 | |
| | " W4 | 210395 | " | " | " | 210371 | " | " | 202295 | " #24 | " | " | | |
| | " W5 | 210396 | " | " | " | " | " | " | " | " | " | " | | |
| | " W6 | 210397 | " | " | " | " | 210372 | " | " | " | " | " | | |
| | 504-263-N3 | 210390 | 210574 | " | " | 201230 C | 210370 | " | 201127 | 210364 | " | " | | D C×27 #9 |
| | " N4 | 210391 | " | " | " | " | 210371 | " | 202295 | " #22 | " | " | | |
| " N5 | 210392 | " | " | " | " | " | " | " | " | " | " | | | |
| " N6 | 210393 | " | " | " | " | 210372 | " | " | " | " | " | " | | |
| E52-131 | 514-353-W2×2 | 210402 | 210575 | " | 205253 | 210373 | " | 210248 | " | 210365 | 210252 | 210256 | D C×27 #11 | |
| | " W2×3 | 210403 | " | " | " | 210503 | " | " | " | " #24 | " | " | | |
| | " W2×4 | 210404 | " | " | " | 210374 | " | " | " | " | " | " | | |
| | " W2×5 | 210405 | " | " | " | " | " | " | " | " | " | " | | |
| | 512-353-W2×2 | 210402 | " | " | " | " | 210373 | " | " | 210368 | " | " | | D C×27 #14 |
| | " W2×3 | 210403 | " | " | " | " | 210503 | " | " | " #34 | " | " | | |
| " W2×4 | 210404 | " | " | " | " | 210374 | " | " | " | " | " | | | |
| " W2×5 | 210405 | " | " | " | " | " | " | " | " | " | " | " | | |
| E52-132 | 514-363-W2×2 | 210398 | 210574 | " | 201230 C | 210373 | " | " | " | 210365 | " | " | D C×27 #11 | |
| | " W2×3 | 210399 | " | " | " | 210503 | " | " | " | " #24 | " | " | | |
| | " W2×4 | 210400 | " | " | " | 210374 | " | " | " | " | " | " | | |
| | " W2×5 | 210401 | " | " | " | " | " | " | " | " | " | " | | |
| E52-133 | 514-363-N2×2 | 210398 | " | " | " | 210373 | " | " | " | " | " | " | D C×27 #9 | |
| | " N2×3 | 210399 | " | " | " | 210503 | " | " | " | " | " | " | | |
| | " N2×4 | 210400 | " | " | " | 210374 | " | " | " | " | " | " | | |
| | " N2×5 | 210401 | " | " | " | " | " | " | " | " | " | " | | |
| E52-134 | 504-233 W3 | 210381 | 210697 | 210443 | 202799 | 210370 | " | 210247 | " | 210365 | 210251 | 210255 | D C×27 #14 | |
| | " W4 | 210382 | " | " | " | 210371 | " | " | " | " #24 | " | " | | |
| | " W5 | 210383 | " | " | " | " | " | " | " | " | " | " | | |
| | " W6 | 210384 | " | " | " | 210372 | " | " | " | " | " | " | | |
| E52-135 | 512-373-W2×3 | 210424 | 210575 | 210447 | " | 210503 | " | 210248 | 201127 | 210368 | 210252 | 210256 | D C×27 #14 | |
| | " W2×4 | 210425 | " | " | " | 210374 | " | " | 202295 | " | " | " | | |
| | " W2×5 | 210426 | " | " | " | " | " | " | " | " | " | " | | |
| | " W2.5×2.5 | 210428 | " | " | " | 210375 | " | 210249 | 201127 | " #34 | 210253 | 210257 | | |
| | " W2.5×3.5 | 210429 | " | " | " | 210376 | " | " | 202295 | " | " | " | | |
| | " W3×3 | 210431 | " | " | " | 210375 | " | 210250 | " | " | 210254 | 210258 | | |
| " W3×4 | 210432 | " | " | " | 210376 | " | " | " | " | " | " | | | |
| E52-140 | 514-385-W2×3 | 210414 | 210576 | 210448 | 201230 C | 210503 | " | 210248 | 201127 | 210729 | 210252 | 210256 | D C×27 #14 | |
| | " W2×4 | 210415 | " | " | " | 210374 | " | " | 202295 | " #30 | " | " | | |
| | " W2×5 | 210416 | " | " | " | " | " | " | " | " | " | " | | |
| | " W2.5×2.5 | 210418 | " | " | " | 210375 | " | 210249 | 201127 | 210730 | 210253 | 210257 | | |
| " W2.5×3.5 | 210419 | " | " | " | 210376 | " | " | 202295 | " #32 | " | " | | | |

= 刻印 Identification number

Parts for all gauges : 201121A Upper knife
 全機種共通ゲージパーツ : 210356 Lower looper
 210584 押エ補助板 Presser foot uncurler

| Machine type no. 形式 | Specification gauge 仕様ゲージ | Needle plate 針板 | Main feed dog complete 主送り歯(組) | Diff. feed dog 差動送り歯 | Presser foot | | | Needle holder 針留 | Lower knife 下メス | Upper looper 上ルーバー | Needle guard | | Factory-set needle 使用針 |
|------------------------|------------------------------|--------------------|-----------------------------------|-------------------------|--------------|---------------|--------------------|---------------------|--------------------|-----------------------|----------------|---------------|---------------------------|
| | | | | | body 押エ | finger 押エ爪 | fab. guard 補助押エ | | | | front 針受(前) | rear 針受(後) | |
| E52-210 E52-210C | 503-223-N 2 | 210377 | 210569 | 210442 | 201152E | 201155C | 210247 | 202295 | 210364 | 210251 | 210255 | DC×27 # 9 | |
| | " N 3 | 210378 | " | " | " | " | " | " | " # 22 | " | " | | |
| | " N 4 | 210379 | " | " | " | " | " | " | " | " | " | | |
| | " N 5 | 210380 | " | " | " | " | " | " | " | " | " | | |
| | 503-223-N 2 | 210377 | " | " | " | " | " | " | * 210512 | " | " | | DC×27 # 9 |
| " N 3 | 210378 | " | " | " | " | " | " | " # 21 | " | " | | | |
| " N 4 | 210379 | " | " | " | " | " | " | " | " | " | | | |
| " N 5 | 210380 | " | " | " | " | " | " | " | " | " | | | |
| 503-233-W 3 | 210381 | 210568 | 210443 | 202799 | 210370 | 210265B | " | " | * 210513 | " | DC×27 # 14 | | |
| " W 4 | 210382 | " | " | " | 210371 | " | " | " # 23 | " | " | | | |
| " W 5 | 210383 | " | " | " | " | " | " | " | " | " | | | |
| " W 6 | 210384 | " | " | " | 210372 | " | " | " | " | " | | | |
| 504-365-W 3 | 210390 | 210576 | 210446 | 201230C | 210370 | " | " | 201127 | 210365 | " | | DC×27 # 18 | |
| " W 4 | 210391 | " | " | " | 210371 | " | " | 202295 | " # 24 | " | | | |
| " W 5 | 210392 | " | " | " | " | " | " | " | " | " | | | |
| " W 6 | 210393 | " | " | " | " | " | " | " | " | " | | | |

Parts for all gauges: 201121A 上メス Upper knife
 全機種共通ゲージパーツ: 210356 下ルーバー Lower looper
 210584 押エ補助板 Presser foot uncurler

= 刻印 Identification number
 * = スプレッダー Spreader

NEEDLE SIZE REFERENCE

| Japan | U.S.A | Germany |
|-------|-------|---------|
| 日本 | アメリカ | ドイツ |
| 9 | 027 | 65 |
| 10 | 029 | 70 |
| 11 | 030 | 75 |
| 12 | 032 | 80 |
| 13 | 034 | 85 |
| 14 | 036 | 90 |
| 15 | 038 | 95 |

針番手対照表

| Japan | U.S.A. | Germany |
|-------|--------|----------|
| 日本 | アメリカ | ドイツ |
| 16 | 040 | 100 |
| 17 | 042 | 105 |
| 18 | 044 | 110, 115 |
| 19 | 046 | 120 |
| 20 | 048 | 125 |
| 21 | 051 | 130, 140 |

NEEDLE SIZE AND UPPER LOOPER/SPREADER

Use Upper Looper/Spreader according to the needle size and stitch type as shown.

| Threads 糸数 | Stitch type 縫目形式 | Needle size (Singer) 針のサイズ | Part number 上ルーバー・スプレッダー 部品番号 | Looper marking 刻印番号 | Remarks 備考 |
|---------------|---------------------|-------------------------------|-------------------------------------|------------------------|----------------------------------|
| 2 | 503 | 9-12 | 210512* | 21 | Standard lift スタンダードリフト |
| | | 13-16 | 210513* | 23 | |
| | | 9-12 | 210364 | 22 | |
| 3 | 504 505 | 13-16 | 210365 | 24 | Standard lift スタンダードリフト |
| | | 9-12 | 210366 | 26 | |
| | | 13-16 | 210367 | 28 | |
| | | 17-21 | 210365 | 24 | |
| 4 | 512 | 9-16 | 210368 | 34 | Needle gauge 針巾 2.0mm. 3.0mm. |
| 4 | 514 | 9-12 | 210365 | 24 | Needle gauge 針巾 2.0mm |
| | | 13-16 | 210729 | 30 | |
| | | 9-12 | 210729 | 30 | |
| | | 13-16 | 210730 | 32 | |

* Upper spreader 上スプレッダー

LIST OF SPECIFIC PARTS

専用部品一覧表

| Machine type/spec. | Type plate | Cloth plate | Side cover | Needle drive crank | Upper looper crank | Upper looper crank washer | Needle thread tension | |
|---------------------|------------|-------------|------------|--------------------|--------------------|---------------------------|-----------------------|--------|
| | | | | | | | complete | guide |
| 形式/仕様 | 形式板 | クロスプレート | 横カバー | 針クランク | 上ルーバークランク | 同左ワッシャー | 針糸調子(組) | 針糸調子台 |
| E52-130/504-253-W. | 210592 | 210019 | 210027 | 210230 | 210266 | 210098 | 210529 | 202849 |
| E52-130/504-263-N. | 210593 | 210018 | 210026 | " | " | " | " | " |
| E52-131/514-353-W. | 210594 | 210019 | 210027 | 210231 | 210096 | 210267 206180 | " | 210090 |
| E52-131/512-353-W. | 210595 | " | " | " | " | " " | " | " |
| E52-132/514-363-W. | 210596 | " | " | " | " | " " | " | " |
| E52-133/514-363-N. | 210597 | 210018 | 210026 | " | " | " " | " | " |
| E52-134/504-233-W. | 210598 | 210019 | 210027 | 210230 | 210266 | 210098 | " | 202849 |
| E52-135/512-373-W. | 210599 | " | " | 210231 | 210096 | 210267 206180 | " | 210090 |
| E52-140/514-385-W. | 210600 | " | " | " | " | " " | " | " |
| E52-210/505-223-N. | 210601 | 210018 | 210026 | 210230 | 210266 | 210098 | " | 202849 |
| E52-210C/505-223-N. | 210602 | " | " | " | " | " | " | " |
| E52-211/503-223-N. | 210603 | " | " | " | " | " | 210530 | " |
| E52-220/503-233-W. | 210604 | 210019 | 210027 | " | " | " | " | " |
| E52-221/504-365-W. | 210605 | " | " | " | " | " | 210529 | " |

List of the component parts for main feed dog complete

主送り歯(組)構成部品表

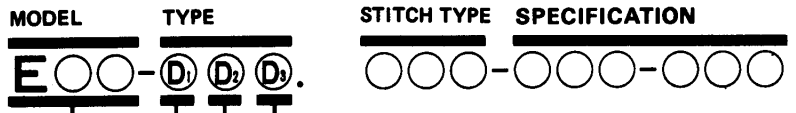
| Main feed dog complete | Component parts 構成部品 | | |
|------------------------|----------------------|---------------|-------|
| | Main feed dog | Aux. feed dog | screw |
| 主送り歯(組) | 主送り歯 | 補助送り歯 | 止ネジ |
| 210568 | 210694 | 210449 | 5492 |
| 210569 | 210438 | 204674 | " |
| 210570 | 210438 | 208095 | " |
| 210571 | 210695 | 210449 | " |
| 210572 | 210439 | 204674 | " |
| 210573 | 210439 | 208095 | " |
| 210574 | 210440 | 204674 | " |

| Main feed dog complete | Component parts 構成部品 | | |
|------------------------|----------------------|---------------|-------|
| | Main feed dog | Aux. feed dog | screw |
| 主送り歯(組) | 主送り歯 | 補助送り歯 | 止ネジ |
| 210575 | 210440 | 208095 | 5492 |
| 210576 | 210441 | 204674 | " |
| 210577 | 210441 | 208095 | " |
| 210696 | 210694 | 204674 | " |
| 210697 | 210694 | 208095 | " |
| 210698 | 210695 | 204674 | " |
| 210699 | 210695 | 208095 | " |

| 頁 | 組部品 番号 | 構成部品 番号 | 名 称 | 数量 |
|----|------------------------------|--|---------------|----|
| 3 | 210218 | 210246 2905 210524 | アーム(右) | 1 |
| | | | 針留案内ブラケット | 1 |
| | | | 止ネジ | 2 |
| | | | ノックピン | 2 |
| 5 | 210005 | 210004 210566 | 送り調節蓋 | 1 |
| | | | 本体 | 1 |
| 5 | 210018 | 210011 210015 210014 210013 210016 | クロスプレート(巾狭) | 1 |
| | | | 本体 | 1 |
| 5 | 210019 | 210012 210015 210014 210013 210017 | クロスプレート(巾広) | 1 |
| | | | 本体 | 1 |
| 5 | 210026 | 210227 | 横カバー(巾狭用) | 1 |
| | | | 芯金トノ組 | 3 |
| 5 | 210027 | 210227 | 横カバー(巾広用) | 1 |
| | | | 芯金トノ組 | 3 |
| 5 | 210117 | 210116 210567 | 上ルーパー台カバー | 1 |
| | | | 本体 | 1 |
| 7 | 210222 | 210318 | 針糸カバー | 1 |
| | | | 芯金トノ組 | 1 |
| 7 | 208747 | 205685 208744 208745 208746 | アイガード(組) | 1 |
| | | | アイガード | 1 |
| 7 | 210225 | 210226 210039 210040 | 前カバー | 1 |
| | | | 本体 | 1 |
| 9 | 210060 | 210059 | ブリー | 1 |
| | | | 本体トノ組 | 1 |
| 13 | 210074 | 210072 210073 | 針板ブラケット(組) | 1 |
| | | | 針板ブラケット | 1 |
| 13 | 210077 | 210075 210076 | 針板受け(組) | 1 |
| | | | 本体 | 1 |
| 13 | 210529 210530 (210531) | 201037 201086 201068 5082A | 糸調子(組) | 1 |
| | | | バネ(強)、210529用 | 1 |
| 13 | 208447 | 208448 | バネ(中)、210530用 | 1 |
| | | | バネ(弱)、210531用 | 1 |
| 13 | 208450 | 210319 | 棒 | 1 |
| | | | ナット | 1 |
| 13 | 208448 | 208450 | 止パイプ | 1 |
| | | | 糸調子バネ受皿 | 1 |
| 13 | 208449 | 208449 | 糸調子皿 | 1 |
| | | | フェルト | 1 |

| 頁 | 組部品 番号 | 構成部品 番号 | 名 称 | 数量 |
|----|-----------|---|------------------|----|
| 19 | 210136 | 210134 210135 5157 | 送り調節ラチェットホイール(組) | 1 |
| | | | ラチェットホイール | 1 |
| | | | 台 | 1 |
| | | | 止ネジ | 3 |
| 21 | 210569 | 210149 210150 210151 5012 | 主送り歯 | 1 |
| | | | 37頁参照 | 1 |
| 21 | 210152 | 210149 210150 210151 5012 | 差動送りクランク(組) | 1 |
| | | | クランク | 1 |
| 23 | 210183 | 210181 210182 | クランク | 1 |
| | | | ピン | 1 |
| 23 | 210183 | 210181 210182 | クランク | 1 |
| | | | ピン | 1 |
| 23 | 210183 | 210181 210182 | 下メス台バネ受 | 1 |
| | | | 本体 | 1 |
| 25 | 210331 | 210332 210333 | 足揚レバー | 1 |
| | | | 本体 | 1 |
| 25 | 208537 | 208548 208539 201291 208771 | パイプ | 1 |
| | | | 押エ台案内 | 1 |
| 25 | 208537 | 208548 208539 201291 208771 | 本体 | 1 |
| | | | ピン(短) | 1 |
| 25 | 208537 | 208548 208539 201291 208771 | ピン(長) | 1 |
| | | | ゴマ | 1 |
| 27 | 210189 | 210187 201290A 2213-1 204182 5145 | 給油ポンプ(組) | 1 |
| | | | 27頁参照 | 1 |
| 27 | 210188 | 210187 201290A 2213-1 204182 5145 | 給油ポンプ本体 | 1 |
| | | | ポンプ台 | 1 |
| 27 | 210207 | 210206 205635 | ケーシング | 1 |
| | | | 止ネジ | 2 |
| 27 | 210207 | 210206 205635 | ロールピン | 2 |
| | | | 油穴蓋ネジ | 1 |
| 27 | 205635 | 205636 205638 205509 205510 | バイパス(組) | 1 |
| | | | 本体 | 1 |
| 27 | 205635 | 205636 205638 205509 205510 | バイパス弁(組) | 1 |
| | | | ケーシング | 1 |
| 27 | 205635 | 205636 205638 205509 205510 | バイパス弁止メ輪 | 1 |
| | | | バイパス弁 | 1 |
| 27 | 205635 | 205636 205638 205509 205510 | バネ | 1 |
| | | | バネ | 1 |
| 27 | 210203 | 210320 201757 | 噴油管 | 1 |
| | | | 銅管 | 1 |
| 27 | 210198 | 210195 210196 210197 | 継手 | 1 |
| | | | 給油表示(組) | 1 |
| 27 | 210198 | 210195 210196 210197 | 給油表示 | 1 |
| | | | 窓 | 1 |
| 27 | 210198 | 210195 210196 210197 | 止輪 | 1 |
| | | | オイル指示(組) | 1 |
| 27 | 210193 | 210191 210192 | フロート | 1 |
| | | | オイル指示 | 1 |
| 29 | 210539 | 210537 210538 204863 | シリコンタンク(下)(組) | 1 |
| | | | シリコンタンク(下) | 1 |
| 29 | 210539 | 210537 210538 204863 | 蓋 | 1 |
| | | | ピン | 2 |
| 31 | 369 | 370 | 3本立用糸立(組) | 1 |
| | | | 31頁参照 | 1 |
| 31 | 370 | 370 | 4本立用糸立(組) | 1 |
| | | | 31頁参照 | 1 |
| 33 | 9029 | 205473 210523 | クッションゴム(組) | 1 |
| | | | クッションゴム(ピン付) | 3 |
| 33 | 9106 | 205468 205469 | クッションゴム(ピン無) | 1 |
| | | | 切クズ受シュート(組) | 1 |
| 33 | 9106 | 205468 205469 | シュート(上) | 1 |
| | | | シュート(下) | 1 |

E SERIES MACHINE CLASSIFICATION



| Machine model | |
|---------------|---|
| E32 | Ultra-high speed, straight needle, safety stitch machine. |
| E52 | Ultra-high speed, straight needle overedger. |
| E56 | Ultra-high speed, curved needle overedger. |

| Seam type | |
|-----------|--|
| Code No. | Meaning |
| 1 | Plain seaming of E52 and E56 |
| 2 | Other than plain seaming of E52 and E56. |
| 4 | Plain seaming of E32. |
| 5 | Other than plain seaming of E32. |

| Material thickness if D1 shows 'plain seaming'. | |
|---|--|
| Code No. | Meaning (examples) |
| 1 | Fine (panty-hose, P.P. shirt, blouse, handkerchief, etc.) |
| 2 and 3 | Light to medium (knit underwear, knit dress shirt, swim suit/trunks, sport shirts, etc.) |
| 4 | Heavy (sweater, double knit slacks, blanket, working wear, etc.) |
| 5 | Extra heavy (jeans, bulky sweaters, quilted coat, etc.) |

| Type of operation if D1 shows 'other than plain seaming'. | |
|---|---------------------|
| Code No. | Meaning |
| 1 | Blindstitch hemming |
| 2 | Serging |

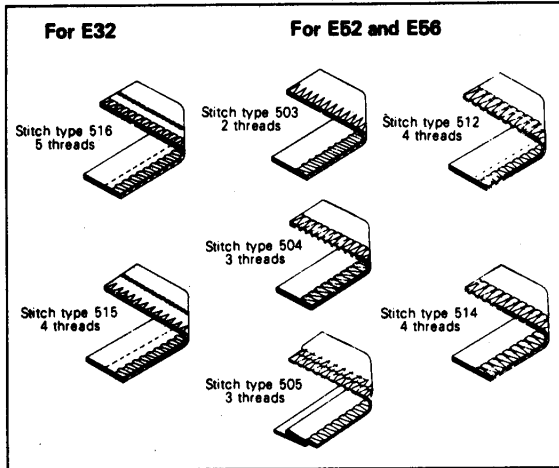
Other code numbers than listed above are open for future assignment to such operation as attaching tape/lace, coding/piping, roll-up/roll-down hemming, toe-closing, etc.

Auxiliary code

Codes **D**₁ and **D**₂ are used to outline the applications of the machines. These applications are subdivided here.

Example
Blindstitch hemming
21 **D**₃ → 210 (F.S.T. 505)
→ 211 (F.S.T. 503)

Plain seaming on light to medium weight material
130 (1-needle, for underwear)
131 (2-needle, for underwear)
132 (2-needle, for knit outerwear)



EXAMPLE

E32 - 430 / 516 - 233 - 3 x 3

- Sewing gauge is 3x3mm.
- Tooth pitch is 1.6mm.
- Needle plate type is 2-row wide with chaining-land.
- Standard lift. (Sewing capacity is standard.)
- Stitch type 515.
- Plain seaming on medium heavy materials.
- Machine model is E32.



Sewing capacity

Sewing capacity means 'Sewing gauge' x 'Foot lift capacity'.

| Code No. | Meaning |
|----------|-----------------------|
| 1 | 4x3mm (low lift) |
| 2 | 5x5mm (standard lift) |
| 3 | 6x6mm (high lift) |

Needle plate type

The needle plate type is coded by the number and the width of feed rows, and the chaining-land.

Chaining-land; No

Number of feed rows Width

Chaining-land; Yes

| Code No. | Meaning | |
|----------|---------------------|-----|
| | No. of rows | ★ |
| 0 | 1-row or plain feed | — |
| 1 | 2N (2-row Narrow) | Yes |
| 2 | 2N (2-row Narrow) | No |
| 3 | 2W (2-row Wide) | Yes |
| 4 | 2W (2-row Wide) | No |
| 5 | 3N (3-row Narrow) | Yes |
| 6 | 3N (3-row Narrow) | No |
| 7 | 3W (3-row Wide) | Yes |
| 8 | 3W (3-row Wide) | No |

Feed dog tooth pitch

Feed dog tooth pitch

| Code No. | Meaning |
|----------|--------------------------|
| 0 | Rubber coated or special |
| 1 | 1.0mm tooth pitch |
| 2 | 1.25mm tooth pitch |
| 3 | 1.6mm tooth pitch |
| 4 | 2.0mm tooth pitch |
| 5 | 2.5mm tooth pitch |
| 6 | 3.0mm tooth pitch |

Sewing gauge

The sewing gauge is "the seam width" for 1-needle machine, and "the needle gauge x the seam width" for 2-needle machine.

A: Seam width
B: Needle gauge

Description of differential feed ratio

The description here is not necessary for the standard machines. Machines of the standard differential feed ratio are delivered unless otherwise specified on order. However, if customer wants non-standard ratio machines, he can order by suffixing the following Alphabetical letter to the machine type number.

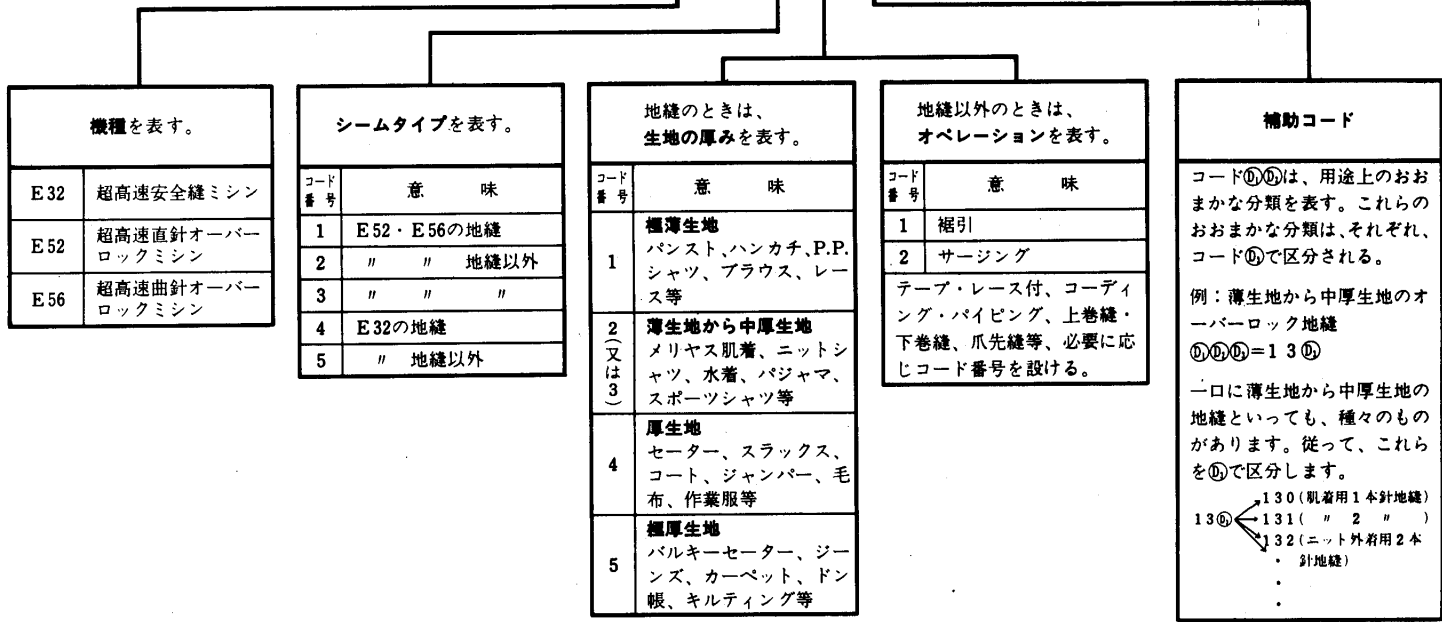
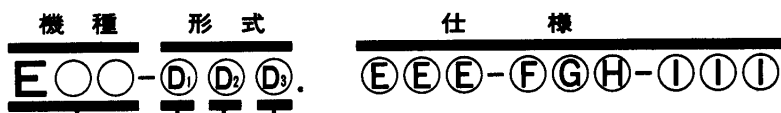
A: 1:1 differential feed ratio
B: 1:2 " " "
C: 1:3 " " "
D: 1:4 " " "

Example
E52-210C

1:3 differential feed ratio instead of the 1:2 standard ratio.

*Chaining-land

Eシリーズ分類表示方法



表示例

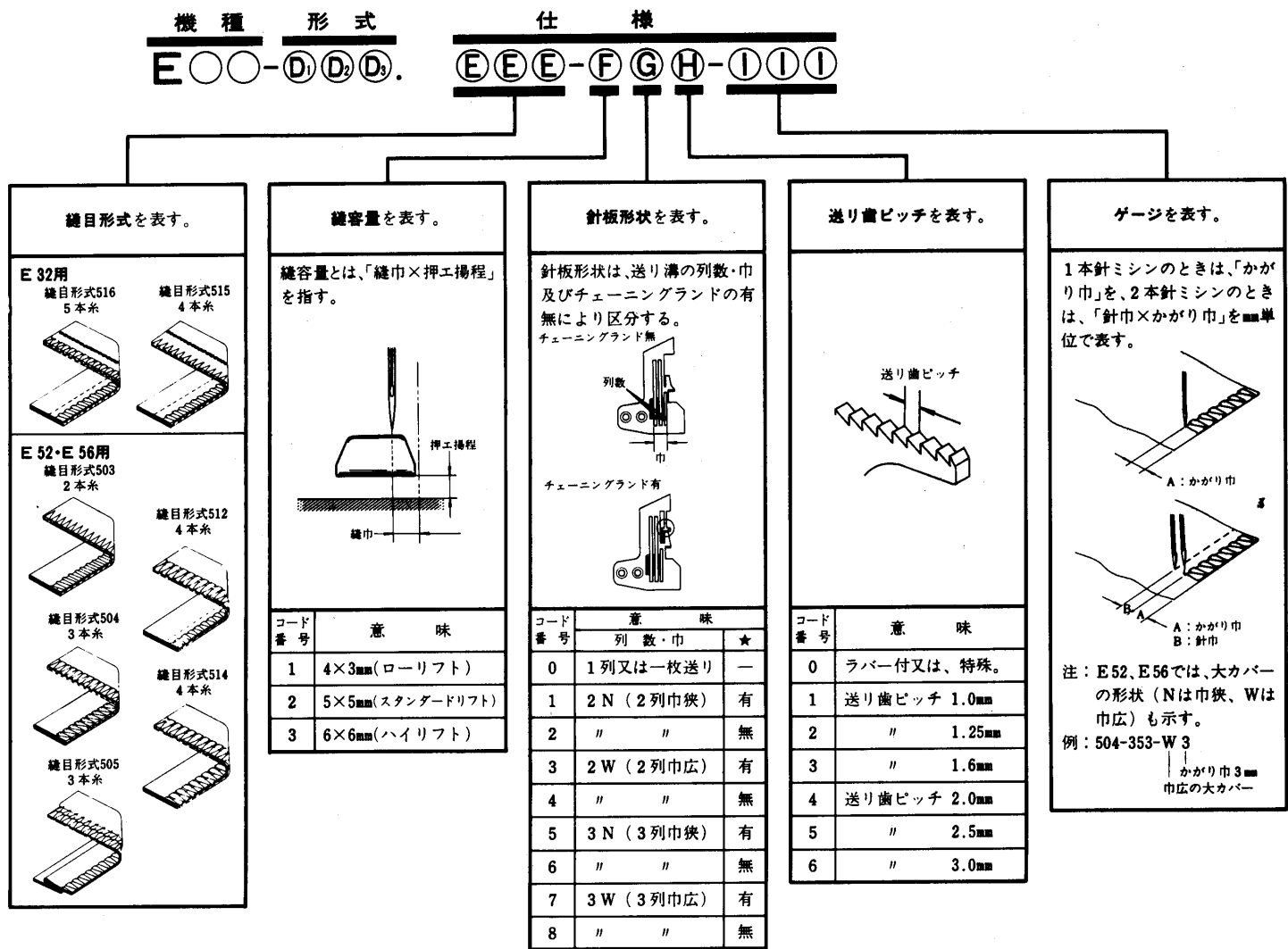
E32-430/516-233-3x3

- 縫巾 3 × 3mm.
- 送り歯ピッチ 1.6mm.
- 針板形状2列巾広チェーニングランド付.
- スタンダードリフト.
- 縫目形式516.
- 中厚生地の地縫.
- ミシン機種E 32.

差動比の表示について (標準ミシンには、この表示はありません)。同じ形式のミシンで、差動比だけが異なるときは、用途番号の末尾に、A、B、C、Dを付け分類する。

A：差動比 1：1 C：差動比 1：3
B： " 1：2 D： " 1：4

例：E 52-210C 差動比 1：3の裾引縫ミシン。



NUMERICAL INDEX OF PARTS

部品番号索引

| Part No. | Page | Ref. No. | Part No. | Page | Ref. No. | Part No. | Page | Ref. No. | Part No. | Page | Ref. No. | Part No. | Page | Ref. No. |
|----------|------|----------|----------|------|----------|----------|------|----------|----------|------|----------|----------|------|----------|
| 部品番号 | 頁 | 参照番号 | 部品番号 | 頁 | 参照番号 | 部品番号 | 頁 | 参照番号 | 部品番号 | 頁 | 参照番号 | 部品番号 | 頁 | 参照番号 |
| 123 | 35 | 23 | 1216 | 13 | 12 | 4013 | 31 | 9 | 5117 | 29 | 10 | 5484 | 13 | 23 |
| 126 | 35 | 19 | 1216 | 35 | 37 | 4013 | 31 | 32 | 5118 | 19 | 54 | 5485 | 11 | 3 |
| 127 | 35 | 14 | 1229 | 13 | 21 | 4014 | 31 | 17 | 5118 | 27 | 18 | 5486 | 19 | 39 |
| 128 | 35 | 15 | 1231 | 25 | 40 | 4513 | 33 | 4 | 5118 | 35 | 34 | 5487 | 15 | 21 |
| 131 | 35 | 16 | 1435 | 5 | 19 | 4750 | 31 | 5 | 5133 | 27 | 54 | 5487 | 17 | 19 |
| 132 | 35 | 3 | 1448 | 9 | 3 | 4750 | 31 | 10 | 5136 | 9 | 27 | 5488 | 5 | 16 |
| 135A | 35 | 4 | 1457 | 11 | 8 | 4750 | 31 | 33 | 5136 | 13 | 30 | 5489 | 21 | 36 |
| 153 | 35 | 17 | 1457 | 15 | 32 | 4803 | 31 | 13 | 5136 | 25 | 34 | 5492 | 21 | 3 |
| 178 | 35 | 5 | 1457 | 23 | 6 | 4803 | 31 | 18 | 5138 B | 27 | 56 | 5492 | 48 | |
| 179 | 35 | 13 | 1458 | 27 | 9 | 4803 | 31 | 21 | 5145 | 49 | | 5497 | 9 | 24 |
| 200 | 35 | 11 | 1459 | 5 | 20 | 4803 | 31 | 24 | 5157 | 49 | | 5500 | 19 | 19 |
| 233 | 31 | 22 | 1459 | 9 | 2 | 4803 | 31 | 27 | 5163 | 3 | 5 | 9029 | 33 | |
| 245 | 35 | 18 | 1732 | 19 | 56 | 4904 | 33 | 11 | 5184 | 35 | 27 | 9029 | 49 | |
| 272 | 35 | 12 | 1998-2 | 15 | 24 | 4905 | 33 | 14 | 5198 | 7 | 4 | 9106 | 33 | |
| 282 | 35 | 6 | 2133-1 | 21 | 20 | 4913 | 31 | 36 | 5205 | 21 | 45 | 9106 | 49 | |
| 283 | 35 | 7 | 2133-1 | 25 | 9 | 5002 | 29 | 5 | 5205 | 21 | 47 | 137906 | 5 | 10 |
| 284 | 35 | 8 | 2193 | 15 | 16 | 5012 | 5 | 13 | 5231 | 21 | 43 | 137906 | 7 | 22 |
| 285 | 35 | 9 | 2193 | 17 | 13 | 5012 | 11 | 37 | 5238 | 9 | 7 | 137906 | 7 | 30 |
| 293 | 31 | 25 | 2193 | 23 | 31 | 5012 | 49 | | 5276 | 25 | 13 | 137906 | 35 | 41 |
| 322 | 35 | 10 | 2213 | 11 | 6 | 5022 | 11 | 13 | 5282 | 15 | 41 | 137906 | 35 | 44 |
| 326 | 35 | 2 | 2213-1 | 49 | | 5029 | 9 | 29 | 5292 | 7 | 27 | 167066 | 23 | 19 |
| 369 | 31 | | 2285 | 25 | 17 | 5029 | 15 | 45 | 5292 | 11 | 15 | 167079 | 17 | 36 |
| 369 | 49 | | 2430 | 35 | 49 | 5029 | 25 | 28 | 5292 | 13 | 15 | 192107-1 | 3 | 13 |
| 370 | 31 | | 2902 | 15 | 65 | 5030 | 25 | 43 | 5292 | 13 | 17 | 192130 | 5 | 8 |
| 370 | 49 | | 2902 | 17 | 39 | 5053 | 35 | 30 | 5292 | 15 | 27 | 200136 | 27 | 23 |
| 373 | 31 | 6 | 2902 | 23 | 15 | 5057 | 35 | 46 | 5292 | 15 | 58 | 200136 | 27 | 28 |
| 374 | 31 | 8 | 2903 | 49 | | 5059 | 11 | 22 | 5292 | 19 | 16 | 200136 | 27 | 35 |
| 375 | 31 | 7 | 2905 | 5 | 28 | 5060 | 7 | 6 | 5292 | 19 | 51 | 200138 | 27 | 25 |
| 375 | 31 | 29 | 2905 | 7 | 18 | 5060 | 11 | 24 | 5292 | 25 | 4 | 200138 | 27 | 30 |
| 376 | 31 | 34 | 2905 | 7 | 37 | 5060 | 21 | 27 | 5316 | 19 | 25 | 200138 | 27 | 37 |
| 377 | 31 | 28 | 2905 | 13 | 37 | 5060 | 23 | 13 | 5317 | 21 | 18 | 200144 | 27 | 33 |
| 378 | 31 | 30 | 2905 | 15 | 60 | 5060 | 27 | 3 | 5346 | 21 | 51 | 200152 | 27 | 24 |
| 379 | 31 | 31 | 2905 | 19 | 41 | 5078 | 3 | 9 | 5357 | 13 | 25 | 200152 | 27 | 29 |
| 380 | 31 | 11 | 2905 | 19 | 49 | 5082 A | 13 | 3 | 5376 | 11 | 29 | 200152 | 27 | 36 |
| 381 | 31 | 14 | 2905 | 27 | 51 | 5082 A | 15 | 47 | 5376 | 15 | 2 | 200155 | 27 | 26 |
| 382 | 31 | 15 | 2905 | 35 | 33 | 5082 A | 17 | 23 | 5376 | 17 | 2 | 200155 | 27 | 31 |
| 383 | 31 | 16 | 2905 | 35 | 51 | 5082 A | 49 | | 5426 | 25 | 14 | 200155 | 27 | 38 |
| 384 | 31 | 19 | 2913-1 | 3 | 3 | 5084 | 19 | 33 | 5434 | 3 | 2 | 200155 | 29 | 7 |
| 385 | 31 | 1 | 2921 | 15 | 62 | 5084 | 21 | 16 | 5455 | 21 | 32 | 200205 | 13 | 20 |
| 386 | 31 | 38 | 2921 | 17 | 34 | 5088 | 23 | 18 | 5457 | 11 | 27 | 200555 | 7 | 26 |
| 387 | 31 | 3 | 2921 | 25 | 21 | 5088 | 35 | 40 | 5457 | 15 | 10 | 200555 | 15 | 4 |
| 388 | 31 | 2 | 2921 | 25 | 32 | 5088 | 35 | 43 | 5457 | 17 | 9 | 200555 | 17 | 4 |
| 905 | 35 | 1 | 3044 | 5 | 7 | 5089 | 25 | 36 | 5457 | 19 | 23 | 200821 | 35 | 38 |
| 1156 | 15 | 6 | 3044 | 35 | 28 | 5094 | 23 | 24 | 5457 | 19 | 28 | 201002 | 3 | 7 |
| 1156 | 17 | 6 | 3091 | 5 | 5 | 5094 | 27 | 12 | 5457 | 21 | 29 | 201002 | 3 | 11 |
| 1174 | 5 | 4 | 3091 | 5 | 11 | 5094 | 27 | 20 | 5457 | 21 | 38 | 201009 | 27 | 6 |
| 1174 | 17 | 21 | 3091 | 7 | 21 | 5095 | 7 | 2 | 5457 | 23 | 4 | 201037 | 13 | 2 |
| 1175-2 | 21 | 4 | 4009-1 | 5 | 24 | 5117 | 3 | 21 | 5457 | 25 | 11 | 201037 | 49 | |
| 1175-2 | 21 | 6 | 4009-1 | 5 | 32 | 5117 | 3 | 29 | 5458 | 3 | 25 | 201056 | 11 | 7 |
| 1175-2 | 21 | 9 | 4009-1 | 7 | 8 | 5117 | 7 | 10 | 5461 | 9 | 17 | 201068 | 15 | 50 |
| 1175-3 | 7 | 20 | 4009-1 | 7 | 16 | 5117 | 9 | 11 | 5461 | 11 | 31 | 201068 | 49 | |
| 1175-3 | 13 | 27 | 4009-1 | 7 | 33 | 5117 | 13 | 39 | 5461 | 11 | 35 | 201086 | 13 | |
| 1175-3 | 13 | 35 | 4009-1 | 15 | 39 | 5117 | 13 | 41 | 5461 | 19 | 5 | 201086 | 17 | 26 |
| 1186 | 21 | 39 | 4009-1 | 21 | 23 | 5117 | 19 | 12 | 5461 | 19 | 18 | 201086 | 49 | |
| 1196 | 35 | 48 | 4009-1 | 23 | 21 | 5117 | 19 | 37 | 5476 | 31 | 37 | 201121 A | 23 | 17 |
| 1202 | 7 | 31 | 4009-1 | 29 | 3 | 5117 | 19 | 44 | 5478 | 19 | 9 | 201121 A | 36 | |
| 1206 | 13 | 33 | 4012 | 31 | 20 | 5117 | 23 | 27 | 5480 | 5 | 30 | 201121 A | 46 | |
| 1206 | 35 | 56 | 4012 | 31 | 23 | 5117 | 25 | 6 | 5481 | 25 | 19 | 201121 A | 47 | |
| 1216 | 7 | 14 | 4012 | 31 | 26 | 5117 | 27 | 11 | 5482 | 3 | 26 | 201127 | 23 | 29 |
| 1216 | 7 | 35 | 4013 | 31 | 4 | 5117 | 27 | 60 | 5483 | 5 | 6 | 201127 | 39 | |

NUMERICAL INDEX OF PARTS

部品番号索引

| Part No. | Page | Ref. No. | Part No. | Page | Ref. No. | Part No. | Page | Ref. No. | Part No. | Page | Ref. No. | Part No. | Page | Ref. No. |
|----------|------|----------|----------|------|----------|----------|------|----------|----------|------|----------|----------|------|----------|
| 部品番号 | 頁 | 参照番号 | 部品番号 | 頁 | 参照番号 | 部品番号 | 頁 | 参照番号 | 部品番号 | 頁 | 参照番号 | 部品番号 | 頁 | 参照番号 |
| 201127 | 43 | | 202295 | 45 | | 205361 | 35 | 45 | 208450 | 15 | 51 | 210039 | 49 | |
| 201127 | 45 | | 202295 | 46 | | 205418 | 21 | 14 | 208450 | 17 | 27 | 210040 | 49 | |
| 201127 | 46 | | 202295 | 47 | | 205456 | 35 | | 208450 | 49 | | 210042 | 7 | 24 |
| 201152 E | 25 | 37 | 202340 | 23 | 25 | 205466 | 33 | 1 | 208525 | 25 | 33 | 210043 | 7 | 28 |
| 201152 E | 36 | | 202451 | 25 | 20 | 205467 | 33 | 8 | 208537 | 25 | 22 | 210044 | 7 | 36 |
| 201152 E | 47 | | 202522 | 19 | 26 | 205468 | 33 | 12 | 208537 | 49 | | 210045 | 7 | 34 |
| 201155 C | 25 | 38 | 202526 | 3 | 33 | 205468 | 49 | | 208539 | 49 | | 210046 | 7 | 32 |
| 201155 C | 36 | | 202577 | 11 | 34 | 205469 | 33 | 13 | 208548 | 49 | | 210047 | 7 | 29 |
| 201155 C | 47 | | 202645 | 25 | 26 | 205469 | 49 | | 208579 | 23 | 16 | 210050 | 9 | 20 |
| 201156 | 25 | 35 | 202647 A | 25 | 29 | 205470 | 33 | 10 | 208598 | 25 | 25 | 210051 | 9 | 18 |
| | | | | | | | | | | | | | | |
| 201185 | 19 | 42 | 202662 | 3 | 27 | 205473 | 33 | 2 | 208599 | 25 | 27 | 210052 | 9 | 19 |
| 201185 | 23 | 23 | 202663 D | 3 | 28 | 205473 | 49 | | 208744 | 49 | | 210053 | 9 | 15 |
| 201185 | 35 | 52 | 202799 | 36 | | 205509 | 49 | | 208745 | 49 | | 210054 | 9 | 9 |
| 201191 | 35 | 26 | 202799 | 42 | | 205510 | 49 | | 208746 | 49 | | 210055 | 9 | 10 |
| 201211 B | 35 | | 202799 | 46 | | 205617 | 9 | 5 | 208747 | 7 | 19 | 210056 | 9 | 13 |
| 201230 C | 38 | | 202799 | 47 | | 205635 | 27 | 21 | 208747 | 49 | | 210057 | 9 | 14 |
| 201230 C | 40 | | 202849 | 13 | 9 | 205635 | 49 | | 208771 | 49 | | 210058 | 9 | 8 |
| 201230 C | 44 | | 202849 | 15 | 54 | 205635 | 49 | | 208774 | 25 | 24 | 210059 | 9 | 4 |
| 201230 C | 46 | | 202849 | 17 | 30 | 205636 | 49 | | 210002 | 3 | 10 | 210059 | 49 | |
| 201230 C | 47 | | 202849 | 48 | | 205638 | 49 | | 210003 | 3 | 19 | 210060 | 49 | |
| | | | | | | | | | | | | | | |
| 201252 | 31 | 12 | 202875 | 5 | 14 | 205678 | 35 | 50 | 210004 | 49 | | 210061 | 9 | 6 |
| 201265 B | 25 | 39 | 202875 | 15 | 63 | 205679 | 35 | | 210005 | 3 | 20 | 210062 | 9 | 28 |
| 201265 B | 36 | | 202875 | 17 | 35 | 205685 | 49 | | 210005 | 49 | | 210067 | 23 | 10 |
| 201265 B | 38 | | 202875 | 19 | 8 | 205722 | 7 | 38 | 210006 | 5 | 29 | 210068 | 23 | 9 |
| 201265 B | 40 | | 204006 | 3 | 16 | 205735 | 3 | 34 | 210007 | 5 | 27 | 210069 | 11 | 19 |
| 201265 B | 42 | | 204010 | 9 | 21 | 205763 | 27 | 22 | 210008 | 3 | 22 | 210069 | 23 | 8 |
| 201265 B | 44 | | 204052 A | 19 | 31 | 205764 | 33 | 6 | 210009 | 3 | 23 | 210072 | 49 | |
| 201265 B | 46 | | 204084 | 19 | 21 | 205765 | 33 | 7 | 210010 | 3 | 24 | 210073 | 49 | |
| 201265 B | 47 | | 204107 | 17 | 12 | 206128 | 21 | 12 | 210011 | 49 | | 210074 | 13 | 24 |
| 201290 A | 49 | | 204114 | 21 | 41 | 206129 | 21 | 13 | 210012 | 49 | | 210074 | 49 | |
| | | | | | | | | | | | | | | |
| 201291 | 49 | | 204115 | 21 | 35 | 206180 | 15 | 12 | 210013 | 49 | | 210075 | 49 | |
| 201293 A | 27 | 10 | 204128 A | 21 | 15 | 206180 | 23 | 11 | 210014 | 49 | | 210076 | 49 | |
| 201294 | 27 | 4 | 204129 A | 21 | 19 | 206180 | 48 | | 210015 | 49 | | 210077 | 13 | 26 |
| 201295 | 27 | 7 | 204146 | 11 | 30 | 206233 | 27 | 14 | 210016 | 49 | | 210077 | 49 | |
| 201395 | 25 | 30 | 204182 | 49 | | 206233 | 35 | 20 | 210017 | 49 | | 210084 | 13 | 34 |
| 201439 A | 15 | 55 | 204183 | 27 | 5 | 206336 | 33 | 5 | 210018 | 5 | 1 | 210090 | 13 | 10 |
| 201439 A | 17 | 31 | 204184 | 27 | 8 | 206337 | 33 | 9 | 210018 | 48 | | 210090 | 48 | |
| 201635 | 11 | 23 | 204185 | 19 | 3 | 206337 | 33 | 15 | 210018 | 49 | | 210091 | 15 | 1 |
| 201635 | 21 | 26 | 204185 | 27 | 13 | 206340 A | 29 | 6 | 210019 | 5 | 2 | 210091 | 17 | 1 |
| 201635 | 23 | 12 | 204270 | 29 | 8 | 206431 | 27 | 17 | 210019 | 48 | | 210092 | 15 | 5 |
| | | | | | | | | | | | | | | |
| 201757 | 49 | | 204274 | 15 | 30 | 208009 | 7 | 25 | 210019 | 49 | | 210092 | 17 | 5 |
| 202045 | 27 | 55 | 204319 | 9 | 26 | 208095 | 48 | | 210020 | 5 | 3 | 210093 | 15 | 3 |
| 202058 | 5 | 25 | 204439 A | 21 | 17 | 208168 | 21 | 48 | 210021 | 5 | 15 | 210093 | 17 | 3 |
| 202174 | 3 | 15 | 204520 | 9 | 23 | 208173 | 3 | 17 | 210022 | 5 | 9 | 210096 | 15 | 9 |
| 202174 | 15 | 36 | 204657 | 15 | 56 | 208173 | 15 | 33 | 210023 | 5 | 17 | 210096 | 48 | |
| 202175 | 11 | 10 | 204657 | 15 | 57 | 208245 | 5 | 18 | 210024 | 5 | 12 | 210098 | 15 | 13 |
| 202175 | 11 | 16 | 204657 | 17 | 32 | 208245 | 21 | 42 | 210025 | 5 | 21 | 210098 | 48 | |
| 202175 | 11 | 36 | 204667 | 35 | 36 | 208447 | 13 | 4 | 210025 | 5 | 26 | 210099 | 15 | 14 |
| 202175 | 15 | 28 | 204674 | 21 | 2 | 208447 | 15 | 48 | 210026 | 5 | 22 | 210100 | 15 | 15 |
| 202286 | 15 | 7 | 204674 | 48 | | 208447 | 17 | 24 | 210026 | 48 | | 210100 | 21 | 22 |
| | | | | | | | | | | | | | | |
| 202286 | 15 | 17 | 204737 | 9 | 25 | 208447 | 49 | | 210026 | 49 | | 210101 | 15 | 19 |
| 202286 | 17 | 7 | 204754 | 19 | 32 | 208448 | 13 | 5 | 210027 | 5 | 23 | 210102 | 15 | 18 |
| 202286 | 17 | 14 | 204756 | 19 | 34 | 208448 | 15 | 49 | 210027 | 48 | | 210102 | 21 | 25 |
| 202286 | 35 | 35 | 204757 | 19 | 35 | 208448 | 17 | 25 | 210027 | 49 | | 210103 | 15 | 22 |
| 202287 A | 27 | 57 | 204789 | 9 | 22 | 208448 | 49 | | 210028 | 7 | 9 | 210104 | 15 | 20 |
| 202295 | 23 | 28 | 204828 | 3 | 18 | 208449 | 13 | 8 | 210030 | 7 | 12 | 210105 | 15 | 26 |
| 202295 | 37 | | 204863 | 49 | | 208449 | 15 | 53 | 210034 | 7 | 1 | 210106 | 15 | 25 |
| 202295 | 39 | | 205253 | 38 | | 208449 | 17 | 29 | 210035 | 7 | 3 | 210107 | 15 | 29 |
| 202295 | 41 | | 205253 | 40 | | 208449 | 49 | | 210036 | 7 | 5 | 210108 | 15 | 40 |
| 202295 | 43 | | 205253 | 46 | | 208450 | 13 | 6 | 210037 | 7 | 7 | 210109 | 15 | 31 |

NUMERICAL INDEX OF PARTS

部品番号索引

| Part No. | Page | Ref. No. | Part No. | Page | Ref. No. | Part No. | Page | Ref. No. | Part No. | Page | Ref. No. | Part No. | Page | Ref. No. |
|----------|------|----------|----------|------|----------|----------|------|----------|----------|------|----------|----------|------|----------|
| 部品番号 | 頁 | 参照番号 | 部品番号 | 頁 | 参照番号 | 部品番号 | 頁 | 参照番号 | 部品番号 | 頁 | 参照番号 | 部品番号 | 頁 | 参照番号 |
| 210110 | 15 | 34 | 210171 | 19 | 40 | 210224 | 7 | 15 | 210255 | 37 | | 210364 | 37 | |
| 210111 | 15 | 35 | 210172 | 19 | 46 | 210225 | 7 | 23 | 210255 | 39 | | 210364 | 39 | |
| 210112 | 15 | 37 | 210173 | 23 | 1 | 210225 | 49 | | 210255 | 46 | | 210364 | 41 | |
| 210113 | 15 | 38 | 210175 | 23 | 5 | 210226 | 49 | | 210255 | 47 | | 210364 | 46 | |
| 210114 | 15 | 43 | 210178 | 23 | 14 | 210227 | 49 | | 210256 | 13 | 32 | 210364 | 47 | |
| 210115 | 15 | 44 | 210179 | 23 | 20 | 210228 | 9 | 1 | 210256 | 41 | | 210365 | 37 | |
| 210116 | 49 | | 210180 | 23 | 22 | 210229 | 11 | 28 | 210256 | 43 | | 210365 | 39 | |
| 210117 | 5 | 31 | 210181 | 49 | | 210230 | 11 | 25 | 210256 | 45 | | 210365 | 45 | |
| 210117 | 49 | | 210182 | 49 | | 210230 | 48 | | 210256 | 46 | | 210365 | 46 | |
| 210118 | 15 | 42 | 210183 | 23 | 26 | 210231 | 11 | 26 | 210257 | 13 | | 210365 | 47 | |
| | | | | | | | | | | | | | | |
| 210120 | 17 | 8 | 210183 | 49 | | 210231 | 48 | | 210257 | 43 | | 210366 | 47 | |
| 210122 | 17 | 10 | 210184 | 23 | 30 | 210232 | 11 | 17 | 210257 | 45 | | 210367 | 47 | |
| 210123 | 17 | 11 | 210185 | 9 | 16 | 210233 | 11 | 20 | 210257 | 46 | | 210368 | 47 | |
| 210124 | 17 | 17 | 210186 | 27 | 2 | 210234 | 11 | 18 | 210258 | 13 | | 210369 | 41 | |
| 210125 | 17 | 16 | 210187 | 49 | | 210235 | 11 | 9 | 210258 | 43 | | 210369 | 43 | |
| 210126 | 17 | 18 | 210188 | 27 | 1 | 210236 | 11 | 12 | 210258 | 46 | | 210369 | 46 | |
| 210127 | 19 | 13 | 210188 | 49 | | 210237 | 11 | 14 | 210259 | 13 | 18 | 210369 | 47 | |
| 210128 | 19 | 17 | 210189 | 27 | | 210238 | 11 | 11 | 210260 | 13 | 19 | 210370 | 36 | |
| 210129 | 19 | 14 | 210189 | 49 | | 210239 | 11 | 1 | 210261 | 13 | 11 | 210370 | 38 | |
| 210130 | 19 | 15 | 210190 | 27 | 45 | 210240 | 11 | 2 | 210262 | 13 | 36 | 210370 | 46 | |
| | | | | | | | | | | | | | | |
| 210131 | 19 | 10 | 210191 | 27 | 47 | 210241 | 11 | 4 | 210263 | 13 | 38 | 210370 | 47 | |
| 210132 | 19 | 6 | 210191 | 49 | | 210242 | 11 | 5 | 210264 | 13 | 40 | 210371 | 36 | |
| 210133 | 19 | 7 | 210192 | 27 | 48 | 210243 | 11 | 32 | 210266 | 15 | 8 | 210371 | 38 | |
| 210134 | 49 | | 210192 | 49 | | 210244 | 11 | 33 | 210266 | 48 | | 210371 | 46 | |
| 210135 | 49 | | 210193 | 27 | 46 | 210246 | 49 | | 210267 | 15 | 11 | 210371 | 47 | |
| 210136 | 19 | 4 | 210193 | 49 | | 210247 | 13 | 13 | 210267 | 48 | | 210372 | 36 | |
| 210136 | 49 | | 210194 | 27 | 49 | 210247 | 37 | | 210268 | 23 | 3 | 210372 | 38 | |
| 210137 | 19 | 1 | 210195 | 49 | | 210247 | 39 | | 210269 | 23 | 7 | 210372 | 46 | |
| 210138 | 19 | 11 | 210196 | 49 | | 210247 | 46 | | 210318 | 49 | | 210372 | 47 | |
| 210139 | 19 | 2 | 210197 | 49 | | 210247 | 47 | | 210319 | 13 | 7 | 210373 | 40 | |
| | | | | | | | | | | | | | | |
| 210140 | 19 | 20 | 210198 | 27 | 43 | 210248 | 13 | 14 | 210319 | 15 | 52 | 210373 | 46 | |
| 210141 | 19 | 22 | 210198 | 49 | | 210248 | 41 | | 210319 | 17 | 28 | 210374 | 40 | |
| 210142 | 21 | 21 | 210199 | 27 | 44 | 210248 | 43 | | 210319 | 49 | | 210374 | 42 | |
| 210143 | 21 | 24 | 210200 | 27 | 15 | 210248 | 45 | | 210320 | 49 | | 210374 | 44 | |
| 210144 | 21 | 28 | 210201 | 27 | 16 | 210248 | 46 | | 210321 | 25 | 1 | 210374 | 46 | |
| 210145 | 21 | 30 | 210202 | 27 | 39 | 210249 | 13 | | 210322 | 25 | 2 | 210375 | 42 | |
| 210146 | 21 | 31 | 210203 | 27 | 40 | 210249 | 43 | | 210323 | 25 | 3 | 210375 | 44 | |
| 210147 | 21 | 33 | 210203 | 49 | | 210249 | 45 | | 210326 | 25 | 7 | 210376 | 42 | |
| 210148 | 21 | 34 | 210204 | 27 | 41 | 210249 | 46 | | 210327 | 25 | 8 | 210376 | 44 | |
| 210149 | 49 | | 210205 | 27 | 42 | 210250 | 13 | | 210329 | 25 | 10 | 210377 | 36 | |
| | | | | | | | | | | | | | | |
| 210150 | 49 | | 210206 | 49 | | 210250 | 43 | | 210330 | 25 | 12 | 210377 | 47 | |
| 210151 | 49 | | 210207 | 27 | 19 | 210250 | 46 | | 210331 | 25 | 15 | 210378 | 36 | |
| 210152 | 21 | 37 | 210207 | 49 | | 210251 | 13 | 28 | 210331 | 49 | | 210378 | 47 | |
| 210152 | 49 | | 210208 | 27 | 27 | 210251 | 37 | | 210332 | 49 | | 210379 | 13 | 22 |
| 210153 | 21 | 40 | 210208 | 27 | 34 | 210251 | 39 | | 210333 | 49 | | 210379 | 36 | |
| 210154 | 21 | 7 | 210210 | 27 | 32 | 210251 | 46 | | 210334 | 25 | 18 | 210379 | 47 | |
| 210155 | 21 | 10 | 210211 | 27 | 52 | 210251 | 47 | | 210335 | 25 | 16 | 210380 | 36 | |
| 210156 | 21 | 11 | 210212 | 27 | 53 | 210252 | 13 | 29 | 210337 | 25 | 23 | 210380 | 47 | |
| 210157 | 21 | 44 | 210213 | 29 | 1 | 210252 | 41 | | 210340 | 25 | 31 | 210381 | 36 | |
| 210158 | 21 | 46 | 210214 | 29 | 2 | 210252 | 43 | | 210343 | 21 | 5 | 210381 | 46 | |
| | | | | | | | | | | | | | | |
| 210159 | 21 | 49 | 210215 | 29 | 4 | 210252 | 45 | | 210349 | 15 | 59 | 210381 | 47 | |
| 210160 | 21 | 50 | 210217 | 3 | 1 | 210252 | 46 | | 210350 | 15 | 61 | 210382 | 36 | |
| 210161 | 19 | 24 | 210218 | 3 | 8 | 210253 | 13 | | 210351 | 15 | 64 | 210382 | 46 | |
| 210162 | 19 | 27 | 210218 | 49 | | 210253 | 43 | | 210352 | 17 | 38 | 210382 | 47 | |
| 210163 | 19 | 29 | 210219 | 3 | 4 | 210253 | 45 | | 210353 | 17 | 37 | 210383 | 36 | |
| 210164 | 19 | 30 | 210220 | 3 | 6 | 210253 | 46 | | 210356 | 17 | 20 | 210383 | 46 | |
| 210166 | 19 | 36 | 210221 | 7 | 17 | 210254 | 13 | | 210356 | 36 | | 210383 | 47 | |
| 210167 | 19 | 38 | 210222 | 7 | 11 | 210254 | 43 | | 210356 | 46 | | 210384 | 36 | |
| 210168 | 19 | 43 | 210222 | 49 | | 210254 | 46 | | 210356 | 47 | | 210384 | 46 | |
| 210170 | 19 | 45 | 210223 | 7 | 13 | 210255 | 13 | 31 | 210359 | 15 | 23 | 210384 | 47 | |

NUMERICAL INDEX OF PARTS

部品番号索引

| Part No. | Page | Ref. No. | Part No. | Page | Ref. No. | Part No. | Page | Ref. No. | Part No. | Page | Ref. No. | Part No. | Page | Ref. No. |
|----------|------|----------|----------|------|----------|----------|------|----------|----------|------|----------|----------|------|----------|
| 部品番号 | 頁 | 参照番号 | 部品番号 | 頁 | 参照番号 | 部品番号 | 頁 | 参照番号 | 部品番号 | 頁 | 参照番号 | 部品番号 | 頁 | 参照番号 |
| 210390 | 38 | | 210438 | 21 | 1 | 210568 | 36 | | 210691 | 35 | | | | |
| 210390 | 46 | | 210438 | 48 | | 210568 | 47 | | 210692 | 35 | 55 | | | |
| 210390 | 47 | | 210439 | 48 | | 210568 | 48 | | 210694 | 48 | | | | |
| 210391 | 38 | | 210440 | 48 | | 210569 | 21 | | 210695 | 48 | | | | |
| 210391 | 46 | | 210441 | 48 | | 210569 | 36 | | 210696 | 48 | | | | |
| 210391 | 47 | | 210442 | 21 | 8 | 210569 | 47 | | 210697 | 36 | | | | |
| 210392 | 38 | | 210442 | 36 | | 210569 | 48 | | 210697 | 46 | | | | |
| 210392 | 46 | | 210442 | 47 | | 210569 | 49 | | 210697 | 48 | | | | |
| 210392 | 47 | | 210443 | 36 | | 210570 | 48 | | 210698 | 48 | | | | |
| 210393 | 38 | | 210443 | 46 | | 210571 | 48 | | 210699 | 48 | | | | |
| | | | | | | | | | | | | | | |
| 210393 | 46 | | 210443 | 47 | | 210572 | 48 | | 210700 | 19 | 55 | | | |
| 210393 | 47 | | 210445 | 38 | | 210573 | 48 | | 210721 | 15 | 66 | | | |
| 210394 | 38 | | 210445 | 40 | | 210574 | 38 | | 303313 | 35 | 54 | | | |
| 210394 | 46 | | 210445 | 46 | | 210574 | 40 | | 306468 | 31 | 35 | | | |
| 210395 | 38 | | 210446 | 38 | | 210574 | 46 | | 210727 | 25 | 8 | | | |
| 210395 | 46 | | 210446 | 47 | | 210574 | 48 | | 210728 | 25 | 44 | | | |
| 210396 | 38 | | 210447 | 42 | | 210575 | 38 | | 5292 | 25 | 45 | | | |
| 210396 | 46 | | 210447 | 46 | | 210575 | 40 | | | | | | | |
| 210397 | 38 | | 210448 | 44 | | 210575 | 42 | | | | | | | |
| 210397 | 46 | | 210448 | 46 | | 210575 | 46 | | | | | | | |
| | | | | | | | | | | | | | | |
| 210398 | 40 | | 210449 | 48 | | 210575 | 48 | | | | | | | |
| 210398 | 46 | | 210503 | 40 | | 210576 | 38 | | | | | | | |
| 210399 | 40 | | 210503 | 42 | | 210576 | 44 | | | | | | | |
| 210399 | 46 | | 210503 | 44 | | 210576 | 46 | | | | | | | |
| 210400 | 40 | | 210503 | 46 | | 210576 | 47 | | | | | | | |
| 210400 | 46 | | 210510 | 27 | 50 | 210576 | 48 | | | | | | | |
| 210401 | 40 | | 210511 | 11 | 21 | 210577 | 48 | | | | | | | |
| 210401 | 46 | | 210512 | 37 | | 210583 | 3 | 14 | | | | | | |
| 210402 | 40 | | 210512 | 47 | | 210584 | 25 | 41 | | | | | | |
| 210402 | 46 | | 210513 | 37 | | 210584 | 36 | | | | | | | |
| | | | | | | | | | | | | | | |
| 210403 | 40 | | 210513 | 47 | | 210584 | 46 | | | | | | | |
| 210403 | 46 | | 210517 | 25 | 5 | 210584 | 47 | | | | | | | |
| 210404 | 40 | | 210518 | 17 | 33 | 210585 | 25 | 42 | | | | | | |
| 210404 | 46 | | 210519 | 9 | 12 | 210586 | 17 | 15 | | | | | | |
| 210405 | 40 | | 210520 | 27 | 58 | 210592 | 48 | | | | | | | |
| 210405 | 46 | | 210521 | 27 | 59 | 210593 | 48 | | | | | | | |
| 210414 | 44 | | 210523 | 33 | 3 | 210594 | 48 | | | | | | | |
| 210414 | 46 | | 210524 | 49 | | 210595 | 48 | | | | | | | |
| 210415 | 44 | | 210525 | 3 | 32 | 210596 | 48 | | | | | | | |
| 210415 | 46 | | 210528 | 3 | 12 | 210597 | 48 | | | | | | | |
| | | | | | | | | | | | | | | |
| 210416 | 44 | | 210529 | 13 | 1 | 210598 | 48 | | | | | | | |
| 210416 | 46 | | 210529 | 48 | | 210599 | 48 | | | | | | | |
| 210418 | 44 | | 210529 | 49 | | 210600 | 48 | | | | | | | |
| 210418 | 46 | | 210530 | 13 | | 210601 | 3 | 30 | | | | | | |
| 210419 | 44 | | 210530 | 17 | 22 | 210601 | 48 | | | | | | | |
| 210419 | 46 | | 210530 | 48 | | 210602 | 48 | | | | | | | |
| 210424 | 42 | | 210530 | 49 | | 210603 | 48 | | | | | | | |
| 210424 | 46 | | 210531 | 15 | 46 | 210604 | 48 | | | | | | | |
| 210425 | 42 | | 210531 | 49 | | 210605 | 48 | | | | | | | |
| 210425 | 46 | | 210532 | 19 | 50 | 210679 | 3 | 31 | | | | | | |
| | | | | | | | | | | | | | | |
| 210426 | 42 | | 210533 | 19 | 47 | 210680 | 35 | 24 | | | | | | |
| 210426 | 46 | | 210534 | 19 | 48 | 210681 | 35 | 25 | | | | | | |
| 210428 | 42 | | 210535 | 19 | 52 | 210682 | 35 | 29 | | | | | | |
| 210428 | 46 | | 210536 | 19 | 53 | 210683 | 35 | 31 | | | | | | |
| 210429 | 42 | | 210537 | 49 | | 210684 | 35 | 32 | | | | | | |
| 210429 | 46 | | 210538 | 49 | | 210685 | 35 | | | | | | | |
| 210431 | 42 | | 210539 | 29 | 9 | 210686 | 35 | 39 | | | | | | |
| 210431 | 46 | | 210539 | 49 | | 210687 | 35 | | | | | | | |
| 210432 | 42 | | 210566 | 49 | | 210689 | 35 | 47 | | | | | | |
| 210432 | 46 | | 210567 | 49 | | 210690 | 35 | 42 | | | | | | |

**PEGASUS
SEWING MACHINE MFG.
CO., LTD.[®]**

