

PRICE LIST

OF

PARTS



MACHINE No. 82-21

THE SINGER MANUFACTURING COMPANY

COPYRIGHT, U. S. A., 1916, BY THE SINGER MANUFACTURING CO.

INDEX

	PAGE
ACCESSORIES.....	11
CABINET TRIMMINGS FOR STAND.....	14
IRON BASE.....	11
KNEE LIFTER PARTS.....	11
MACHINE NO. 82-21.....	7
NUMERICAL LIST OF PARTS.....	19
STAND (HIGH SPEED).....	13
“ (ROCKING TREADLE).....	12
THREAD UNWINDER.....	15
UNDER DRIVERS.....	15-17

INSTRUCTIONS FOR ORDERING

In ordering from this list, use **ONLY** the part **NUMBER** in the **FIRST** column.

The number stamped on a Sewing Machine part is in every case the number of the single part only.

Every combination of parts sent out as such has its specific number, which, although not stamped on the parts, must be used when ordering the combination.

Each number always indicates the **SAME PART** in whatever list it appears, or for whatever machine.

The letters after some of the numbers indicate the style of finish only, as follows:

- A. Hardened, Polished and Plated.
- B. Polished and Plated.
- C. Hardened only.
- D. Polished only.
- E. Soft, not Polished.
- F. Hardened and Polished.
- G.
- H. Blued.
- J. Plated only.
- K. Hardened and Plated.
- L. Brass or Gilt.
- M. Oxidized.
- P. Japanned.

These letters **MUST BE USED** when they appear in the list, and **AFTER** the number as in the list.

In this series

- 1 to 1500 and 50001 to 51500 are Screw Numbers.
- 1501 to 1800 are Nut Numbers.
- 1801 to 2000 are Roller Numbers.
- 2001 to 50000 and 52001 and upward are numbers of Machine Parts.

The figures in the second column refer only to the plates, illustrating the parts, and are **NOT TO BE USED** in ordering.

Parts marked with an asterisk (*) are furnished only when repairs are made at factory.

LIST OF PARTS COMPLETE FOR

MACHINE NO. 82-21

**FOR ORNAMENTS THE BACKS OF GLOVES MADE FROM TRICOT,
MILANESE, ETC., ALSO FOR WORK ON HOSIERY. TWO NEEDLES,
ONE LOOPER, NEEDLES SET TANDEM. TENSION RELEASE.
KNEE LIFTER**

NO.	PLATE	NAME	EACH
*57047	---	Arm, upper and lower (solid) with 130b, 42619 and two each 462c, 1259c, 9830 and 42602.....	\$12 00
42599	5133	Arm Rock Shaft.....	50
42600	5134	" " " Crank (back) with two 1259c.....	75
	1259c 5134	Arm Rock Shaft Crank (back) Position Screw.....	03
	1259c 5134	Arm Rock Shaft Crank (back) Set Screw.....	03
42601	5134	" " " " (front) with two 1259c.....	75
	1259c 5134	Arm Rock Shaft Crank (front) Position Screw.....	03
	1259c 5134	Arm Rock Shaft Crank (front) Set Screw.....	03
42602	5134	" " " Flanged Bushing (back) 1259c 5134 " " " " " " " "	50
		Set Screw.....	03
42602	5134	Arm Rock Shaft Flanged Bushing (front) 1259c 5134 " " " " " " " "	50
		Set Screw.....	03
57016	5133	Arm Rotary Shaft.....	3 00
	199d 5137	" " " Screw.....	04
32026	5133	Balance Wheel.....	50
57048	5148	Cloth Plate with 42645.....	2 00
	387F 5137	" " Screw.....	06
42578	5149	" " Slide.....	25
42568	5149	" " " Spring.....	05
	578d 6928	" " " " Screw.....	02
57049	---	Cloth Plate complete, Nos. 578d, 42568, 42578 and 57048.....	2 30
57098	5134	Connecting Rod with 34434 and two 171E	1 00
*34434	---	" " Cap.....	--
	171E 5134	" " " Screw.....	03
	378c 5134	" " Hinge Screw.....	10
	1520E 5134	" " " " Nut.....	03
57050	6925	Face Plate.....	75
50318d	5137	" " Screw.....	02

NO.	PLATE	NAME	EACH
42613	5134	Feed Bar.....	\$1 25
42614	5134	" " Hinge Stud.....	15
1147c	5135	" " " " Set Screw.....	03
42615	5134	" " Slide Block.....	50
42507	5135	" Connecting Rod with 38588 and two 1057E.....	1 00
*38588	-----	Feed Connecting Rod Cap.....	—
1057E	5135	" " " " Screw.....	04
57051	6926	" Dog.....	75
190D	5137	" " Screw.....	03
42684	5135	" Eccentric with two 1259c.....	1 00
1259c	5134	" " Position Screw.....	03
1259c	5134	" " Set Screw.....	03
42670	5135	" Regulator with 157D and 233D.....	1 25
1038c	5135	" " Adjusting Screw.....	10
7070	5135	" " " " Sleeve.....	10
1589c	5135	" " " " Thumb Nut.....	06
157D	5135	Feed Regulator Clamping Screw.....	04
233D	5135	" " Stop Screw.....	02
42618	5134	" Rock Shaft.....	15
42619	5149	" " " Bracket with 448c.....	1 50
130D	5137	" " " " Screw.....	06
21509	5134	" " " Collar with 207E.....	15
207E	5134	" " " " Set Screw.....	02
42620	5135	" " " Crank with 157D and 1147c.....	50
157D	5135	Feed Rock Shaft Crank Clamping Screw.....	04
57052	6925	Looper.....	1 00
57053	6925	" Carrier with 906c.....	2 00
57054	6925	" " Hinge Pin.....	05
906c	6925	" " " " Set Screw.....	02
57055	6925	" " Holder.....	75
42691	5135	" " " Bushing.....	35
202F	6928	" " " " Set Screw.....	02
42692	5135	" " " Crank with 197D.....	80
197D	5135	" " " " Clamping Screw.....	02
57056	6925	Looper Carrier Holder Crank Connecting Link.....	50
57057	5149	Looper Carrier Lever with 208E and 1933.....	1 50
57058	6925	" " " Cam with two 1036c.....	1 25
1036c	6925	" " " " Set Screw.....	03
42637	6925	" " " Hinge Stud.....	30
448c	6928	" " " " " Set Screw.....	03

NO.	PLATE	NAME	EACH
1933	6925	Looper Carrier Lever Roller and Stud... \$	18
54694	6925	" " Slide Block (two pieces) with 54695 and two 54705.....	2 00
*54695	-----	Looper Carrier Slide Block Ball Stud.....	40
208E	6925	" " " " " " " " Clamping Screw.....	02
54705	6925	Looper Carrier Slide Block Pin.....	25
42694	5136	" Driving Shaft.....	50
57059	5149	" " " Bracket with 202E.....	2 50
141E	5137	" " " " Screw.....	04
57060	6927	" " " Cam with two 1036c.....	1 25
1036c	6925	Looper Driving Shaft Cam Set Screw.....	03
19009	5136	" " " Collar with two 454c.....	25
454c	5136	Looper Driving Shaft Collar Set Screw.....	02
57061	6925	" " " Crank (left) with 1057E.....	1 25
1057E	5135	Looper Driving Shaft Crank (left) Clamping Screw.....	04
57062	6927	Looper Driving Shaft Crank (right) with 1057E and 1935.....	1 00
1057E	5135	Looper Driving Shaft Crank (right) Clamping Screw.....	04
1935	6927	Looper Driving Shaft Crank (right) Roller and Stud.....	20
54648	5136	Looper Driving Shaft Oil Pad (braided cotton).....	01
50138F	6928	Looper Screw.....	02
57063	6927	Needle Bar with two 57066.....	75
9830	5135	" " Bushing.....	25
462C	5135	" " " Set Screw.....	02
34170	5135	" " Connecting Link with two 1313E.....	25
1313E	5135	Needle Bar Connecting Link Adjusting Screw.....	02
50026c	5135	Needle Bar Connecting Link Hinge Stud.....	12
1520E	5134	" " " " " " " " Nut.....	03
9570	5135	Needle Bar Connecting Stud with 207E.....	30
207E	5134	" " " " Clamping Screw.....	02
57064	6927	Needle Clamp with 1112F.....	75
1112F	6927	" " Set Screw.....	03
57065	6927	" " Spring.....	02
1380D	6927	" " " Screw.....	02
57066	6927	" Stop Pin.....per 100	10

NO.	PLATE	NAME	EACH
34103	5136	Presser Bar.....	\$ 40
38540	5136	" " Lifter.....	20
	85E 5136	" " " Screw.....	05
57067	6927	" " Lifting Bracket with 453c...	50
57068	6927	" " " " Guide.....	30
	185H 5137	" " " " " Screw.....	02
	453C 6927	" " " " " Set Screw...	02
38617	6927	" " Spring.....	06
22405	5136	" " " Washer.....	01
57069	6928	" Foot Hinge Pin.....per 100	10
57070	—	" " Plate.....	65
57071	—	" " Shank.....	60
57072	6926	Presser Foot (hinged) complete, Nos. 57069 to 57071.....	1 25
	185H 5137	Presser Foot Screw.....	02
	1121D 5136	Pressure Regulating Thumb Screw.....	20
32027	5133	Pulley, 2¼ in. diam.....	50
	1167D 5137	" " Screw.....	05
57073	6927	Slack Thread Controller.....	75
	219F 6927	" " " " Screw.....	02
	7071 6927	" " " " Washer...	01
	2102 5136	Tension Disc.....	05
	1560C 5136	" Regulating Thumb Nut.....	04
57074	6928	" Releasing Arm (left).....	15
	452C 6928	" " " " Set Screw...	04
57075	6928	" " " " (right).....	15
	452C 6928	" " " " " Set Screw..	04
50261C	6928	" Screw Stud.....	15
13915	6928	" " " Bushing.....	05
13914	6928	" Spring.....	05
57076	5136	" Thread Guide (double).....	30
17547	5136	" " " (single).....	25
57004	5137	Thread Controller Plate with 34224 and two 8505.....	1 00
	934D 5137	Thread Controller Plate Screw.....	02
34224	5137	" " Spring.....	10
	8505 5137	" " " Rivet...per 100	10
57077	5137	" Eyelet (side of arm).....	35
	193F 5137	" " Adjusting Screw.....	03
	193F 5137	" " Screw.....	03
57043	5137	" Nipper Cam with 50150c.....	50
50150C	5137	" " " Set Screw.....	02
57044	5137	" " Spring.....	25
57045	5137	" " " Plate.....	10
	217F 5137	" " " " Screw.....	03
	111D 5137	" " " " Screw.....	03
57046	5137	" " Stud.....	15

NO.	PLATE	NAME	EACH
	1137E 5137	Thread Nipper Thread Eyelet Screw.....	\$ 03
57078	6928	" " Take-up with 207E.....	50
	207E 5134	" " Clamping Screw.....	02
57079	6926	Throat Plate for 57051.....	1 00
50027F	6928	" " Screw.....	04
42615	6928	" " Steady Pin.....	01

IRON BASE

NO.	PLATE	NAME	EACH
57008	6929	Machine Base with three wood screws 1¼ in. No. 12 and four each 935D and 42088.....	\$ 2 00
42088	6932	Machine Cushion (felt).....	02
	935D 6932	" " " Screw.....	04

ACCESSORIES

NO.	PLATE	NAME	EACH
	1408J 6931	Machine Thumb Screw, for 2 in. table...	\$ 25
14063	6932	" " " Spring.....	10
9842	6932	" " " Washer.....	02
	—	" " Base Wood Screw, 1¼ in. No. 12, for power table.....	—
36569	6930	Oiler with 3657U.....	05
36570	—	" 36569, filled with oil.....	08
36571	6930	" Spout, 1¼ in. long, with 36807.....	01
36807	6932	" " Washer (leather).....	01
26026	6930	Screw Driver (large).....	10
26485	6930	" " (small).....	05
36826	5149	Thread Cutter.....	25
35143	6930	Tweezers, 4 in.....	10
8908	6930	Wrench for 1520.....	08

KNEE LIFTER PARTS

NO.	PLATE	NAME	EACH
14224	—	Chain, length 10¼ in.....	\$ 08
57080	5149	Lifting Lever with two 452c.....	50
57081	6928	" " Connection.....	35
	1200D 6928	" " " Hinge Screw....	05
	21D 5137	" " " Hinge Screw.....	15
19081	6932	" " Spring.....	05
7124	6929	Rock Shaft.....	10
2764	6929	" " Hanger (back) with two wood screws 1 in. No. 10.....	08

KNEE LIFTER PARTS

NO.	PLATE	NAME	EACH
16128	6929	Rock Shaft Hanger (front) with two wood screws 1 in. No. 10.....	\$ 08
16646	6929	Rock Shaft Knee Arm.....	10
16647	—	Rock Shaft Knee Arm complete, Nos. 2766, 2767 and 16646.....	40
2766	6929	Rock Shaft Knee Arm Hub with 356c.....	15
356c	3817	“ “ “ “ “ Set Screw.....	06
2767	6929	“ “ “ Plate with 356c.....	18
356c	3817	“ “ “ “ “ Set Screw.....	06
6337	6929	“ “ Lifting Bracket with two 356c.....	20
6338	6929	“ “ “ “ “ Hook.....	15
356c	3817	“ “ “ “ “ S e t Screw.....	06
356c	3817	Rock Shaft Lifting Bracket Set Screw.....	06
2770	6929	“ “ Stop Dog with 356c.....	12
356c	3817	“ “ “ “ “ Set Screw.....	06
16129	6929	Rock Shaft complete, Nos. 2761, 6337, 6338, 7124, 16128, 16647 and two 2770.	1 25
57085	—	Knee Lifter complete, Nos. 21b, 1200b, 14224, 16129, 19081, 57080 and 57081.	2 45

STAND

ROCKING TREADLE, BALL BEARING PITMAN, COVER SET

NO.	PLATE	NAME	EACH
46536	2187	Band Wheel, 13 in. diam., with 972c.....	\$1 50
25055	6932	“ “ Brake Ball (rubber).....	03
28270	2187	“ “ Crank.....	15
46535	—	Band Wheel Crank and Pitman (ball bearing) complete, Nos. 1520E, 1670E, 25361, 25371, 28270, 46506 to 46509, 46517 and eleven 25362.....	1 45
297c	3826	Band Wheel Crank Screw Centre.....	10
1507E	3826	“ “ “ “ “ Nut.....	05
972c	3826	“ “ Set Screw.....	08
46545	—	Belt, size $\frac{5}{32}$ in., length 54 $\frac{1}{2}$ in., with 25028.....	20
25028	3817	Belt Hook.....	01
25385	2187	Brace with three each 297c and 1507E.....	1 45
748E	3826	“ Screw.....	08
25053	2187	Dress Guard.....	25
504E	5137	“ “ Bolt with 1510E.....	03
1510E	3817	“ “ “ “ “ Nut.....	02
25386	2187	Leg with two each 25068 and 25069.....	1 80
25068	6930	“ Roller.....	05
25069	6930	“ “ Pin.....	01

STAND

NO.	PLATE	NAME	EACH
25362	3826	Pitman Ball, size $\frac{3}{16}$ in.per 100	\$ 80
46506	3826	“ “ Bearing Adjusting Screw Ring.....	15
46507	3826	Pitman Ball Bearing Adjusting Screw Ring Locking Washer (brass)....per 100	25
46508	3826	Pitman Ball Bearing Ring.....	10
46509	3826	“ “ Case.....	25
46517	2187	“ Rod with 25360.....	15
*25360	—	“ “ Ball.....	10
25371	3826	“ “ “ Bushing.....	15
25361	3826	“ “ “ Screw Bearing.....	10
1670E	3826	“ “ “ “ “ Nut.....	05
1520E	3826	“ “ Lock Nut.....	03
46518	2187	Treadle.....	65
297c	3826	“ Screw Centre.....	10
1507E	3826	“ “ “ Nut.....	05
25086	2187	Wrench for 1507, 1510 and 1670.....	10
25200	2187	“ “ 972.....	10
25269	—	Stand (iron work) complete, Nos. 504E, 25053, 25055, 25086, 25200, 25385, 46518, 46535, 46536, two 25386 and four 748E.....	—

STAND

HIGH SPEED

NO.	PLATE	NAME	EACH
25329	3813	Band Wheel, 16 in. diam., with 1312c....	\$1 25
1312c	3817	“ “ Set Screw.....	08
25447	3818	“ “ Shaft.....	40
25426	3815	“ “ “ Driver (left).....	20
25427	3815	“ “ “ “ “ Clutch (left).....	10
25428	3815	Band Wheel Shaft Driver (left) Clutch (right) with 5564.....	10
25425	3817	Band Wheel Shaft Driver (left) Clutch Spring.....	05
5564	3817	Band Wheel Shaft Driver (left) Clutch Spring Hook.....	01
25422	3815	Band Wheel Shaft Driver (right).....	20
25423	3815	“ “ “ “ “ Clutch (left).....	10
25424	3815	Band Wheel Shaft Driver (right) Clutch (right) with 5564.....	10
25425	3817	Band Wheel Shaft Driver (right) Clutch Spring.....	05
5564	3817	Band Wheel Shaft Driver (right) Clutch Spring Hook.....	01

STAND

NO.	PLATE	NAME	EACH
25429	3815	Band Wheel Shaft Driving Flange with 356c.....	\$ 40
356c	3817	Band Wheel Shaft Driving Flange Set Screw.....	06
46544	—	Belt, size $\frac{5}{32}$ in., length 58 $\frac{1}{2}$ in., with 25028.....	20
25028	3817	Belt Hook.....	01
25448	3818	Brace.....	1 20
748E	3817	" Screw.....	08
25431	3813	Driving Arm (left) with 435c and 25435..	75
25432	3813	" " (right) with 435c and 25435	75
25433	3816	" " Hinge Pin.....	10
435c	3817	" " " " Set Screw.....	04
25434	3815	" Pinion.....	40
25451	3813	" Segment (rack).....	25
534E	3817	" " Belt with 1510E.....	03
1510E	3817	" " " Nut.....	02
25446	3817	" " " " Washer.....	02
25349	3813	Foot Rest.....	15
25350	3817	" " Cotter Pin.....	01
25435	3816	" " Hinge Pin.....	10
25436	3813	Leg (left).....	1 50
25437	3813	" (right).....	1 60
25449	3818	" Stay Rod.....	40
1508E	3817	" " " Nut.....	06
25086	3813	Wrench for 1510.....	10
25258	—	Stand (iron work) complete, Nos. 25086, 25329, 25422 to 25424, 25426 to 25428, 25431, 25432, 25436, 25437, 25447 to 25449, two each 25349, 25350, 25425, 25429, 25433, 25434, 25451 and four each 534E, 748E, 1508E and 25446.....	—

CABINET TRIMMINGS FOR STAND

NO.	PLATE	NAME	EACH
28013	6930	Belt Hole Bushing (round, brass).....	\$ 04
28079	6930	End Leaf Hinge.....	03
25168	6929	" " Support Bracket.....	10
25150	6929	" " " Lever.....	10
25143	6932	" " " " Hinge Pin.....	01
25162	6929	End Leaf Support complete, Nos. 25143, 25150, 25168 and two wood screws $\frac{3}{8}$ in. No. 7.....	20
50314J	6931	Machine Thumb Screw.....	20
14063	6932	" " " Spring.....	10
9842	6932	" " " Washer.....	02

THREAD UNWINDER

FOR TWO SMALL SPOOLS

NO.	PLATE	NAME	EACH
27702	6932	Spool Pin.....	\$ 05
27450	6929	" Rest with 145F and two 27702.....	18
145F	5137	" " Set Screw.....	04
41547	—	Spool Weight complete, Nos. 10243 and 41546.....	07
41546	6932	Spool Weight Centre Pin.....	05
10243	6932	" " " " Washer.....	02
41541	6930	" " Thread Guide with 41542..	25
41542	6932	" " " " Centre Pin..	05
27451	6929	Stand.....	25
27453	6929	Thread Eyelet Rod.....	15
27446	6929	" " Wire (left).....	05
27452	6929	" " " (right).....	05
27454	—	Thread Eyelet complete, Nos. 27446, 27452 and 27453.....	25
41831	6929	Thread Unwinder complete, Nos. 27450, 27451, 27454, two each 41541, 41547 and three wood screws 1 in. No. 10....	1 30

UNDER DRIVER

LEVER PRESSURE (RIGHT HAND) TWO SPEED

NO.	PLATE	NAME	EACH
27593	6930	Brake (fibre).....	\$ 05
27594	1164	" Bracket with 27593 and two 327E..	25
927c	2186	" " Adjusting Screw.....	12
1513E	2186	" " " " Nut.....	05
307c	2186	" " Screw Centre.....	06
1513E	2186	" " " " Nut.....	05
327E	2186	" Screw.....	05
27595	1164	Cone Pulley (grooved) two speed, 4 $\frac{1}{2}$ in. and 5 $\frac{1}{2}$ in. diam., with 27473.....	50
27473	2186	Cone Pulley Centre Bearing.....	08
27888	6929	Dress Guard (right hand).....	15
354c	2186	" " Screw.....	06
2018	2186	" " " Washer.....	01
27597	1164	Driving Pulley (grooved) 6 $\frac{1}{4}$ in. diam., with 433c, 27598 and two 7958.....	75
27598	—	Driving Pulley Friction Ring (leather)...	05
7958	2186	" " " " Stop Pin...	01
27631	2186	" " Hollow Stud with 27600..	15
27600	2186	" " " " Position Stud.....	02

UNDER DRIVER

NO.	PLATE	NAME	EACH
356c	3817	Driving Pulley Hollow Stud Set Screw...	\$ 06
27632	—	“ “ “ “ Wick.....	01
27633	—	“ “ “ “ “ Wire	
		with 27632.....	05
433c	2186	Driving Pulley Screw Centre Bearing	08
7958	2186	“ “ “ “ “	
		Dowel Pin.....	01
27601	1164	Frame.....	60
27605	1164	Lever.....	35
27606	2186	“ Centre Plug (wood).....	01
427E	2186	“ “ “ Adjusting Screw.....	08
1508E	2186	“ “ “ “ “ Nut..	06
307c	2186	“ Screw Centre.....	06
1513E	2186	“ “ “ Nut.....	05
27607	6930	“ Spring.....	10
27070	1165	Shaft Driving Pulley (sectional, grooved) 10 in. diam., 1 $\frac{3}{8}$ in. bore, with two 597c	45
597c	2186	Shaft Driving Pulley Clamping Screw....	08
27636	1165	Treadle.....	30
9082	2186	“ Bearing Cotter Pin.....	01
27637	1164	“ Pitman Rod (lower).....	05
27638	2186	“ “ “ “ Spring.....	03
27639	1164	“ “ “ (upper).....	05
9079	1164	“ “ “ Clamp with 354c...	12
354c	2186	“ “ “ “ Screw.....	06
27640	1164	Treadle Pitman complete, Nos. 2762, 9079 and 27637 to 27639.....	35
2878	1165	Treadle Stand.....	15
2762	2186	“ Stop Collar with 362F.....	10
362F	2186	“ “ “ Set Screw.....	05
27642	—	Treadle complete, Nos. 2878, 9082, 27636 and four wood screws 1 in. No. 16....	45
27643	—	Treadle and Pitman complete, Nos. 27640 and 27642.....	80
27889	—	Transmitter complete for 27890, Nos. 354c, 356c, 427E, 927c, 1508E, 2018, 27594, 27595, 27597, 27601, 27605 to 27607, 27631, 27633, 27888, three wood screws 1 $\frac{1}{2}$ in. No. 16, four 307c and five 1513E.....	3 50
27890	—	Under Driver, lever pressure (right hand) two speed, complete, Nos. 27070, 27643 and 27889.....	4 75

UNDER DRIVER

LEVER PRESSURE (LEFT HAND) TWO SPEED

This Under Driver is the same as No. 27890 with the following exceptions:

NO.	PLATE	NAME	EACH
27596	1164	Dress Guard (left hand) in place of 27888	\$ 15
27891	—	Transmitter complete for 27892, Nos. 354c, 356c, 427E, 927c, 1508E, 2018, 27594 to 27597, 27601, 27605 to 27607, 27631, 27633, three wood screws 1 $\frac{1}{2}$ in. No. 16, four 307c and five 1513E, in place of 27889.....	3 50
27892	—	Under Driver, lever pressure (left hand) two speed, complete, Nos. 27070, 27643 and 27891.....	4 75

NUMERICAL LIST OF PARTS

FOR

MACHINE No. 82-21

NUMERICAL LIST OF PARTS

NO.	PLATE	NAME	EACH
21d	5137	Lifting Lever Hinge Screw for 57085.....	\$ 15
85E	5136	Presser Bar Lifter Screw.....	05
111d	5137	Thread Nipper Spring Screw.....	03
130d	5137	Feed Rock Shaft Bracket Screw for 57047	06
141E	5137	Looper Driving Shaft Bracket Screw....	04
145F	5137	Thread Unwinder Spool Rest Set Screw for 27450.....	04
157d	5135	Feed Regulator Clamping Screw for 42670	04
157d	5135	" Rock Shaft Crank Clamping Screw for 42620.....	04
171E	5134	Connecting Rod Cap Screw for 57098....	03
185H	5137	Presser Bar Lifting Bracket Guide Screw.	02
185H	5137	" Foot Screw.....	02
190d	5137	Feed Dog Screw.....	03
193F	5137	Thread Eyelet Adjusting Screw.....	03
193F	5137	" " Screw.....	03
197d	5135	Looper Carrier Holder Crank Clamping Screw for 42692.....	02
199d	5137	Arm Rotary Shaft Screw.....	04
202F	6928	Looper Carrier Holder Bushing Set Screw for 57059.....	02
207F	5134	Feed Rock Shaft Collar Set Screw for 21509.....	02
207F	5134	Needle Bar Connecting Stud Clamping Screw for 9570.....	02
207E	5134	Thread Take-up Clamping Screw for 57078.....	02
208E	6925	Looper Carrier Slide Block Ball Stud Clamping Screw for 57057.....	02
217F	5137	Thread Nipper Spring Plate Screw.....	03
219F	6927	Slack Thread Controller Screw.....	02
233d	5135	Feed Regulator Stop Screw for 42670....	02
297c	3826	Band Wheel Crank Screw Centre for 25385.....	10
297c	3826	Treadle Screw Centre for 25385.....	10
307c	2186	Under Driver Brake Bracket Screw Centre for 27889 and 27891.....	06
307c	2186	Under Driver Lever Screw Centre for 27889 and 27891.....	06
327E	2186	Under Driver Brake Screw for 27594....	05
354c	2186	Under Driver Dress Guard Screw for 27889 and 27891.....	06

NUMERICAL LIST OF PARTS

FOR

MACHINE NO. 22-21

NUMERICAL LIST OF PARTS 21

NO.	PLATE	NAME	EACH
935d	6932	Machine Cushion Screw for 57008.....	\$ 04
972c	3826	Band Wheel Set Screw for 46536.....	08
1036c	6925	Looper Carrier Lever Cam Set Screw for 57058.....	03
1036c	6925	Looper Driving Shaft Cam Set Screw for 57060.....	03
1038c	5135	Feed Regulator Adjusting Screw.....	10
1057E	5135	" Connecting Rod Cap Screw for 42507.....	04
1057E	5135	Looper Driving Shaft Crank (left) Clamping Screw for 57061.....	04
1057E	5135	Looper Driving Shaft Crank (right) Clamping Screw for 57062.....	04
1112F	6927	Needle Clamp Set Screw for 57064.....	03
1121d	5136	Pressure Regulating Thumb Screw.....	20
1137E	5137	Thread Nipper Thread Eyelet Screw.....	03
1147c	5135	Feed Bar Hinge Stud Set Screw for 42620.....	03
1167d	5137	Pulley Screw.....	05
1200d	6928	Lifting Lever Connection Hinge Screw for 57085.....	05
1259c	5134	Arm Rock Shaft Crank (back) Position Screw for 42600.....	03
1259c	5134	Arm Rock Shaft Crank (back) Set Screw for 42600.....	03
1259c	5134	Arm Rock Shaft Crank (front) Position Screw for 42601.....	03
1259c	5134	Arm Rock Shaft Crank (front) Set Screw for 42601.....	03
1259c	5134	Arm Rock Shaft Flanged Bushing (back) Set Screw for 57047.....	03
1259c	5134	Arm Rock Shaft Flanged Bushing (front) Set Screw for 57047.....	03
1259c	5134	Feed Eccentric Position Screw for 42684.....	03
1259c	5134	" " Set Screw for 42684.....	03
1312c	3817	Band Wheel Set Screw for 25329.....	08
1313E	5135	Needle Bar Connecting Link Adjusting Screw for 34170.....	02
1380d	6927	Needle Clamp Spring Screw.....	02
1408J	6931	Machine Thumb Screw, for 2 in. table (Accessories).....	25
1507E	3826	Band Wheel Crank Screw Centre Nut for 25385.....	05
1507E	3826	Treadle Screw Centre Nut for 25385.....	05
1508E	3817	Leg Stay Rod Nut for 25258.....	06
1508E	2186	Under Driver Lever Centre Plug Adjusting Screw Nut for 27889 and 27891.....	06
1510E	3817	Dress Guard Bolt Nut for 504.....	02

20 NUMERICAL LIST OF PARTS

NO.	PLATE	NAME	EACH
354c	2186	Under Driver Treadle Pitman Rod Clamp Screw for 9079.....	\$ 06
356c	3817	Band Wheel Shaft Driving Flange Set Screw for 25429.....	06
356c	3817	Rock Shaft Knee Arm Hub Set Screw for 2766.....	06
356c	3817	Rock Shaft Knee Plate Set Screw for 2767.....	06
356c	3817	" " Lifting Bracket Hook Set Screw for 6337.....	06
356c	3817	Rock Shaft Lifting Bracket Set Screw for 6337.....	06
356c	3817	Rock Shaft Stop Dog Set Screw for 2770.....	06
356c	3817	Under Driver Driving Pulley Hollow Stud Set Screw for 27889 and 27891.....	06
362F	2186	Under Driver Treadle Stop Collar Set Screw for 2762.....	05
378c	5134	Connecting Rod Hinge Screw.....	10
387E	5137	Cloth Plate Screw.....	06
427E	2186	Under Driver Lever Centre Plug Adjusting Screw for 27889 and 27891.....	08
433c	2186	Under Driver Driving Pulley Screw Centre Bearing for 27597.....	08
435c	3817	Driving Arm Hinge Pin Set Screw for 25431 and 25432.....	04
448c	6928	Looper Carrier Lever Hinge Stud Set Screw for 42619.....	03
452c	6928	Tension Releasing Arm (left) Set Screw for 57080.....	04
452c	6928	Tension Releasing Arm (right) Set Screw for 57080.....	04
453c	6927	Presser Bar Lifting Bracket Set Screw for 57067.....	02
454c	5136	Looper Driving Shaft Collar Set Screw for 19009.....	02
462c	5135	Needle Bar Bushing Set Screw for 57047.....	02
504E	5137	Dress Guard Bolt with 1510E, for 25269.....	03
534E	3817	Driving Segment Bolt with 1510E, for 25258.....	03
578d	6928	Cloth Plate Slide Spring Screw for 57049.....	02
597c	2186	Under Driver Shaft Driving Pulley Clamping Screw for 27070.....	08
748E	3826	Brace Screw for 25258 and 25269.....	08
906c	6925	Looper Carrier Hinge Pin Set Screw for 57053.....	02
927c	2186	Under Driver Brake Bracket Adjusting Screw for 27889 and 27891.....	12
934d	5137	Thread Controller Plate Screw.....	02

NO.	PLATE	NAME	EACH
1510E	3817	Driving Segment Bolt Nut for 534.....	\$ 02
1513E	2186	Under Driver Brake Bracket Adjusting Screw Nut for 27889 and 27891.....	05
1513E	2186	Under Driver Brake Bracket Screw Centre Nut for 27889 and 27891.....	05
1513E	2186	Under Driver Lever Screw Centre Nut for 27889 and 27891.....	05
1520E	5134	Connecting Rod Hinge Screw Nut.....	03
1520E	5134	Needle Bar Connecting Link Hinge Stud Nut.....	03
1520E	3826	Pitman Rod Lock Nut for 46535.....	03
1560c	5136	Tension Regulating Thumb Nut.....	04
1589c	5135	Feed Regulating Adjusting Screw Thumb Nut.....	06
1670E	3826	Pitman Rod Ball Screw Bearing Nut for 46535.....	05
1933	6925	Looper Carrier Lever Roller and Stud for 57057.....	18
1935	6927	Looper Driving Shaft Crank (right) Roller and Stud for 57062.....	20
2018	2186	Under Driver Dress Guard Screw Washer for 27889 and 27891.....	01
2102	5136	Tension Disc.....	05
2762	2186	Under Driver Treadle Stop Collar with 362F, for 27640.....	10
2764	6929	Rock Shaft Hanger (back) with two wood screws 1 in. No. 10, for 16129.....	08
2766	6929	Rock Shaft Knee Arm Hub with 356c, for 16647.....	15
2767	6929	Rock Shaft Knee Plate with 356c, for 16647.....	18
2770	6929	Rock Shaft Stop Dog with 356c, for 16129	12
2878	1165	Under Driver Treadle Stand for 27642...	15
5564	3817	Band Wheel Shaft Driver (left) Clutch Spring Hook for 25428.....	01
5564	3817	Band Wheel Shaft Driver (right) Clutch Spring Hook for 25424.....	01
6337	6929	Rock Shaft Lifting Bracket with two 356c, for 16129.....	20
6338	6929	Rock Shaft Lifting Bracket Hook for 16129.....	15
7070	5135	Feed Regulator Adjusting Screw Sleeve..	10
7071	6927	Slack Thread Controller Screw Washer..	01
7124	6929	Rock Shaft for 16129.....	10
7958	2186	Under Driver Driving Pulley Friction Ring Stop Pin for 27597.....	01

NO.	PLATE	NAME	EACH
7958	2186	Under Driver Driving Pulley Screw Centre Bearing Dowel Pin for 27597... \$	01
8505	5137	Thread Controller Spring Rivet for 57004, per 100.....	10
8908	6930	Wrench for 1520 (Accessories).....	08
9079	1164	Under Driver Treadle Pitman Rod Clamp with 351c, for 27640.....	12
9082	2186	Under Driver Treadle Bearing Cotter Pin for 27642.....	01
9570	5135	Needle Bar Connecting Stud with 207E... \$	30
9830	5135	" " Bushing for 57047.....	25
9842	6932	Machine Thumb Screw Washer (Acces- sories and Cabinet Trimmings for Stand).....	02
10243	6932	Thread Unwinder Spool Weight Centre Pin Washer for 41547.....	02
13914	6928	Tension Spring.....	05
13915	6928	" Screw Stud Bushing.....	05
14063	6932	Machine Thumb Screw Spring (Acces- sories and Cabinet Trimmings for Stand).....	10
14224	---	Chain, length 10 $\frac{1}{4}$ in., for 57085.....	08
16128	6929	Rock Shaft Hanger (front) with two wood screws 1 in. No. 10, for 16129.....	08
16129	6929	Rock Shaft complete for 57085, Nos. 2764, 6337, 6338, 7124, 16128, 16647 and two 2770.....	1 25
16646	6929	Rock Shaft Knee Arm for 16647.....	10
16647	---	Rock Shaft Knee Arm complete for 16129, Nos. 2766, 2767 and 16646.....	40
17547	5136	Tension Thread Guide (single).....	25
19009	5136	Looper Driving Shaft Collar with two 454c.....	25
19081	6932	Lifting Lever Spring for 57085.....	05
21509	5134	Feed Rock Shaft Collar with 207E.....	15
22405	5136	Presser Bar Spring Washer.....	01
25028	3817	Belt Hook for 46544 and 46545.....	01
25053	2187	Dress Guard for 25269.....	25
25055	6932	Band Wheel Brake Ball (rubber) for 25269	03
25068	6930	Leg Roller for 25386.....	05
25069	6930	" " Pin for 25386.....	01
25086	2187	Wrench for 1507, 1510 and 1670, for 25258 and 25269.....	10
25143	6932	End Leaf Support Lever Hinge Pin for 25162.....	01
25150	6929	End Leaf Support Lever for 25162.....	10

NO.	PLATE	NAME	EACH
25162	6929	End Leaf Support complete, Nos. 25143, 25150, 25168 and two wood screws $\frac{5}{8}$ in. No. 7 (Cabinet Trimmings for Stand).....	\$ 20
25168	6929	End Leaf Support Bracket for 25162.....	10
25200	2187	Wrench for 972, for 25269.....	10
25258	—	Stand (iron work) high speed, complete, Nos. 25086, 25329, 25422 to 25424, 25426 to 25428, 25431, 25432, 25436, 25437, 25447 to 25449, two each 25349, 25350, 25425, 25429, 25433, 25434, 25451 and four each 534E, 748E, 1508E and 25446.....	—
25269	—	Stand (iron work) rocking treadle, ball bearing pitman, cover set, complete, Nos. 504E, 25053, 25055, 25086, 25200, 25385, 46518, 46535, 46536, two 25386 and four 748E.....	—
25329	3813	Band Wheel, 16 in. diam., with 1312c, for 25258.....	1 25
25349	3813	Foot Rest for 25258.....	15
25350	3817	" " Cotter Pin for 25258.....	01
*25360	—	Pitman Rod Ball for 46517.....	10
25361	3826	" " " Screw Bearing for 46535.....	10
25362	3826	" Ball, size $\frac{3}{16}$ in., for 46535, per 100.....	80
25371	3826	" Rod Ball Bushing for 46535.....	15
25385	2187	Brace with three each 297c and 1507E, for 25269.....	1 45
25386	2187	Leg with two each 25068 and 25069, for 25269.....	1 80
Nos. 25422 to 25429 for 25258.			
25422	3815	Band Wheel Shaft Driver (right).....	20
25423	3815	" " " " " Clutch (left).....	10
25424	3815	Band Wheel Shaft Driver (right) Clutch (right) with 5564.....	10
25425	3817	Band Wheel Shaft Driver (left) Clutch Spring.....	05
25425	3817	Band Wheel Shaft Driver (right) Clutch Spring.....	05
25426	3815	Band Wheel Shaft Driver (left).....	20
25427	3815	" " " " " Clutch (left).....	10
25428	3815	Band Wheel Shaft Driver (left) Clutch (right) with 5564.....	10

NO.	PLATE	NAME	EACH
25429	3815	Band Wheel Shaft Driving Flange with 356c.....	\$ 40
Nos. 25431 to 25434 for 25258.			
25431	3813	Driving Arm (left) with 435c and 25435..	75
25432	3813	" " (right) with 435c and 25435.	75
25433	3816	" " Hinge Pin.....	10
25434	3815	" Pinion.....	40
25435	3816	Foot Rest Hinge Pin for 25431 and 25432	10
25436	3813	Leg (left) for 25258.....	1 50
25437	3813	" (right) for 25258.....	1 60
Nos. 25446 to 25449 for 25258.			
25446	3817	Driving Segment Bolt Nut Washer.....	02
25447	3818	Band Wheel Shaft.....	40
25448	3818	Brace.....	1 20
25449	3818	Leg Stay Rod.....	40
25451	3813	Driving Segment (rack) for 25258.....	25
26026	6930	Screw Driver, large (Accessories).....	10
26485	6930	" " small (Accessories).....	05
27070	1165	Under Driver Shaft Driving Pulley (sectional, grooved) 10 in. diam., $1\frac{1}{8}$ in. bore, with two 597c, for 27890 and 27892.....	45
27446	6929	Thread Unwinder Thread Eyelet Wire (left) for 27454.....	05
27450	6929	Thread Unwinder Spool Rest with 145F and two 27702, for 41831.....	18
27451	6929	Thread Unwinder Stand for 41831.....	25
27452	6929	" " Thread Eyelet Wire (right) for 27454.....	05
27453	6929	Thread Unwinder Thread Eyelet Rod for 27454.....	15
27454	—	Thread Unwinder Thread Eyelet complete for 41831, Nos. 27446, 27452 and 27453.....	25
27473	2186	Under Driver Cone Pulley Centre Bearing for 27595.....	08
27593	6930	Under Driver Brake (fibre) for 27594....	05
27594	1164	" " " Bracket with 27593 and two 327E, for 27889 and 27891....	25
27595	1164	Under Driver Cone Pulley (grooved) two speed, $4\frac{1}{2}$ in. and $5\frac{1}{2}$ in. diam., with 27473, for 27889 and 27891.....	50
27596	1164	Under Driver Dress Guard (left hand) for 27891.....	15

NO.	PLATE	NAME	EACH
27597	1164	Under Driver Driving Pulley (grooved) 6¼ in. diam., with 433c, 27598 and two 7958, for 27889 and 27891.....	\$ 75
27598	—	Under Driver Driving Pulley Friction Ring (leather) for 27597.....	05
27600	2186	Under Driver Driving Pulley Hollow Stud Position Stud for 27631.....	02
27601	1164	Under Driver Frame for 27889 and 27891	60
Nos. 27605 TO 27607 FOR 27889 AND 27891.			
27605	1164	Under Driver Lever.....	35
27606	2186	“ “ “ Centre Plug (wood).....	01
27607	6930	“ “ “ Spring.....	10
27631	2186	“ “ Driving Pulley Hollow Stud with 27600, for 27889 and 27891.....	15
27632	—	Under Driver Driving Pulley Hollow Stud Wick for 27633.....	01
27633	—	Under Driver Driving Pulley Hollow Stud Wick Wire with 27632, for 27889 and 27891.....	05
27636	1165	Under Driver Treadle for 27642.....	30
Nos. 27637 TO 27639 FOR 27640.			
27637	1164	Under Driver Treadle Pitman Rod (lower)	05
27638	2186	“ “ “ “ “ “ Spring.....	03
27639	1164	Under Driver Treadle Pitman Rod (upper)	05
27640	1164	Under Driver Treadle Pitman complete for 27643, Nos. 2762, 9079 and 27637 to 27639.....	35
27642	—	Under Driver Treadle complete for 27643, Nos. 2878, 9082, 27636 and four wood screws 1 in. No. 16.....	45
27643	—	Under Driver Treadle and Pitman com- plete for 27890 and 27892, Nos. 27640 and 27642.....	80
27702	6932	Thread Unwinder Spool Pin for 27450...	05
27888	6929	Under Driver Dress Guard (right hand) for 27889.....	15
27889	—	Under Driver Transmitter complete for 27890, Nos. 354c, 356c, 427e, 927c, 1508e, 2018, 27594, 27595, 27597, 27601, 27605 to 27607, 27631, 27633, 27888, three wood screws 1½ in. No. 16, four 307c and five 1513e.....	3 50

NO.	PLATE	NAME	EACH
27890	—	Under Driver, lever pressure (right hand) two speed, complete, Nos. 27070, 27643 and 27889.....	\$4 75
27891	—	Under Driver Transmitter complete for 27892, Nos. 354c, 356c, 427e, 927c, 1508e, 2018, 27594 to 27597, 27601, 27605 to 27607, 27631, 27633, three wood screws 1½ in. No. 16, four 307c and five 1513e.....	3 50
27892	—	Under Driver, lever pressure (left hand) two speed, complete, Nos. 27070, 27643 and 27891.....	4 75
28013	6930	Belt Hole Bushing, round, brass (Cabinet Trimnings for Stand).....	04
28079	6930	End Leaf Hinge (Cabinet Trimnings for Stand).....	03
28270	2187	Band Wheel Crank for 46535.....	15
32026	5133	Balance Wheel.....	50
32027	5133	Pulley, 2¼ in. diam.....	50
34103	5136	Presser Bar.....	40
34170	5135	Needle Bar Connecting Link with two 1313e.....	25
34224	5137	Thread Controller Spring for 57004.....	10
*34434	—	Connecting Rod Cap for 57098.....	—
35143	6930	Tweezers, 4 in. (Accessories).....	10
36569	6930	Oiler with 36571, for 36570.....	05
36570	—	“ 36569, filled with oil.....	08
36571	6930	“ Spout, 1¾ in. long, with 36807, for 36569.....	01
36807	6932	Oiler Spout Washer (leather) for 36571...	01
36826	5149	Thread Cutter (Accessories).....	25
38540	5136	Presser Bar Lifter.....	20
*38588	—	Feed Connecting Rod Cap for 42507.....	—
38617	6927	Presser Bar Spring.....	06
41541	6930	Thread Unwinder Spool Weight Thread Guide with 41542, for 41831.....	25
41542	6932	Thread Unwinder Spool Weight Thread Guide Centre Pin for 41541.....	05
41546	6932	Thread Unwinder Spool Weight Centre Pin for 41547.....	05
41547	—	Thread Unwinder Spool Weight complete for 41831, Nos. 10243 and 41546.....	07
41831	6929	Thread Unwinder complete, for two small spools, Nos. 27450, 27451, 27454, two each 41541, 41547 and three wood screws 1 in. No. 10.....	1 30
42088	6932	Machine Cushion (felt) for 57008.....	02

NUMERICAL LIST OF PARTS

NO.	PLATE	NAME	EACH
42507	5135	Feed Connecting Rod with 38588 and two 1057E.....	\$1 00
42568	5149	Cloth Plate Slide Spring for 57049.....	05
42578	5149	" " " for 57049.....	25
42599	5133	Arm Rock Shaft.....	50
42600	5134	" " " Crank (back) with two 1259c.....	75
42601	5134	Arm Rock Shaft Crank (front) with two 1259c.....	75
42602	5134	Arm Rock Shaft Flanged Bushing (back) for 57047.....	50
42602	5134	Arm Rock Shaft Flanged Bushing (front) for 57047.....	50
42613	5134	Feed Bar.....	1 25
42614	5134	" " Hinge Stud.....	15
42615	5134	" " Slide Block.....	50
42618	5134	" " Rock Shaft.....	15
42619	5149	" " " Bracket with 448c, for 57047.....	1 50
42620	5135	Feed Rock Shaft Crank with 157D and 1147c.....	50
42637	6925	Looper Carrier Lever Hinge Stud.....	30
42645	6928	Throat Plate Steady Pin for 57048.....	01
42670	5135	Feed Regulator with 157D and 233D.....	1 25
42684	5135	" Eccentric with two 1259c.....	1 00
42691	5135	Looper Carrier Holder Bushing.....	35
42692	5135	" " " Crank with 197D.....	80
42694	5136	" Driving Shaft.....	50
Nos. 46506 to 46509 FOR 46535.			
46506	3826	Pitman Ball Bearing Adjusting Screw Ring.....	15
46507	3826	Pitman Ball Bearing Adjusting Screw Ring Locking Washer (brass)..... per 100	25
46508	3826	Pitman Ball Bearing Ring.....	10
46509	3826	" " Case.....	25
46517	2187	" Rod with 25360, for 46535.....	15
46518	2187	Treadle for 25269.....	65
46535	—	Band Wheel Crank and Pitman (ball bearing) complete for 25269, Nos. 1520E, 1670E, 25361, 25371, 28270, 46506 to 46509, 46517 and eleven 25362.....	1 45
46536	2187	Band Wheel, 13 in. diam., with 972c, for 25269.....	1 50
46544	—	Belt, size $\frac{3}{2}$ in., length 58 $\frac{1}{2}$ in., with 25028, for 25258.....	20

NUMERICAL LIST OF PARTS

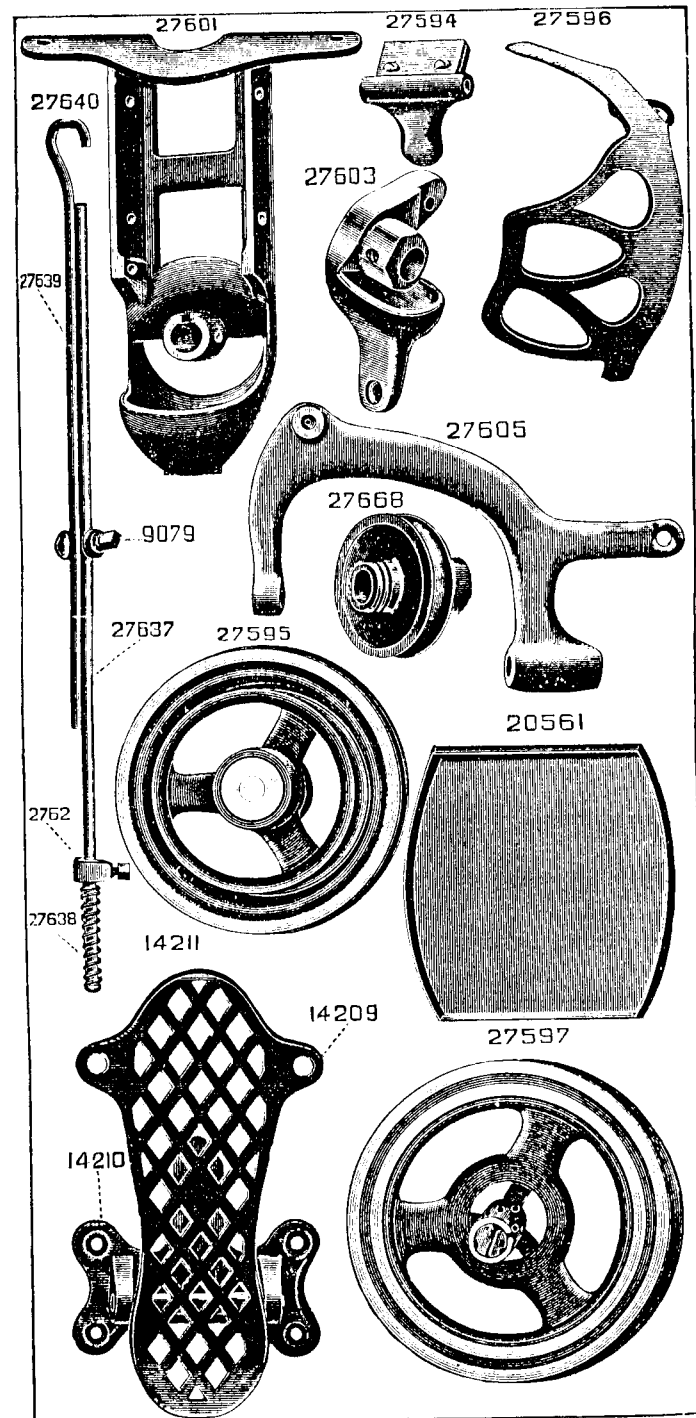
NO.	PLATE	NAME	EACH
46545	—	Belt, size $\frac{3}{2}$ in., length 54 $\frac{1}{2}$ in., with 25028, for 25269.....	\$ 20
50026c	5135	Needle Bar Connecting Link Hinge Stud.....	12
50027F	6928	Throat Plate Screw.....	04
50138F	6928	Looper Screw.....	02
50150c	5137	Thread Nipper Cam Set Screw for 57043.....	02
50261c	6928	Tension Screw Stud.....	15
50314J	6931	Machine Thumb Screw (Cabinet Trim-mings for Stand).....	20
50318D	5137	Face Plate Screw.....	02
54648	5136	Looper Driving Shaft Oil Pad (braided cotton).....	01
54694	6925	Looper Carrier Slide Block (two pieces) with 54695 and two 54705.....	2 00
*54695	—	Looper Carrier Slide Block Ball Stud for 54694.....	40
54705	6925	Looper Carrier Slide Block Pin for 54694.....	25
57004	5137	Thread Controller Plate with 34224 and two 8505.....	1 00
57008	6929	Machine Base with three wood screws 1 $\frac{1}{4}$ in. No. 12 and four each 935D and 42088.....	2 00
57016	5133	Arm Rotary Shaft.....	3 00
57043	5137	Thread Nipper Cam with 50150c.....	50
57044	5137	" " Spring.....	25
57045	5137	" " " Plate.....	10
57046	5137	" " Stud.....	15
*57047	—	Arm, upper and lower (solid) with 130D, 42619 and two each 462c, 1259c, 9830 and 42602.....	12 00
57048	5148	Cloth Plate with 42645, for 57049.....	2 00
57049	—	Cloth Plate complete, Nos. 578D, 42568, 42578 and 57048.....	2 30
57050	6925	Face Plate.....	75
57051	6926	Feed Dog.....	75
57052	6925	Looper.....	1 00
57053	6925	" Carrier with 906c.....	2 00
57054	6925	" " Hinge Pin.....	05
57055	6925	" " Holder.....	75
57056	6925	" " " Crank Connecting Link.....	50
57057	5149	Looper Carrier Lever with 208E and 1933.....	1 50
57058	6925	" " " Cam with two 1036c.....	1 25
57059	5149	" Driving Shaft Bracket with 202E.....	2 50
57060	6927	" " " Cam with two 1036c.....	1 25
57061	6925	Looper Driving Shaft Crank (left) with 1057E.....	1 25

NUMERICAL LIST OF PARTS

NO.	PLATE	NAME	EACH
57062	6927	Looper Driving Shaft Crank (right) with 1057e and 1935.....	\$1 00
57063	6927	Needle Bar with two 57066.....	75
57064	6927	" Clamp with 1112e.....	75
57065	6927	" " Spring.....	02
57066	6927	" Stop Pin for 57063.....per 100	10
57067	6927	Presser Bar Lifting Bracket with 453c....	50
57068	6927	" " " " Guide.....	30
Nos. 57069 to 57071 for 57072.			
57069	6928	Presser Foot Hinge Pin.....per 100	10
57070	—	" " Plate.....	65
57071	—	" " Shank.....	60
57072	6926	Presser Foot (hinged) complete, Nos. 57069 to 57071.....	1 25
57073	6927	Slack Thread Controller.....	75
57074	6928	Tension Releasing Arm (left).....	15
57075	6928	" " " (right).....	15
57076	5136	" Thread Guide (double).....	30
57077	5137	Thread Eyelet (side of arm).....	35
57078	6928	" Take-up with 207e.....	50
57079	6926	Throat Plate for 57051.....	1 00
57080	5149	Lifting Lever with two 452c, for 57085....	50
57081	6928	" " Connection for 57085.....	35
57085	—	Knee Lifter complete, Nos. 21b, 1200b, 14224, 16129, 19081, 57080 and 57081..	2 45
57098	5134	Connecting Rod with 34434 and two 171e	1 00

ILLUSTRATIONS OF PARTS
FOR
MACHINE No. 82-21

PLATE 1164—ONE-FOURTH SIZE



ILLUSTRATIONS OF PARTS
FOR
MACHINE NO. 85-21

PLATE 1165—ONE-FOURTH SIZE

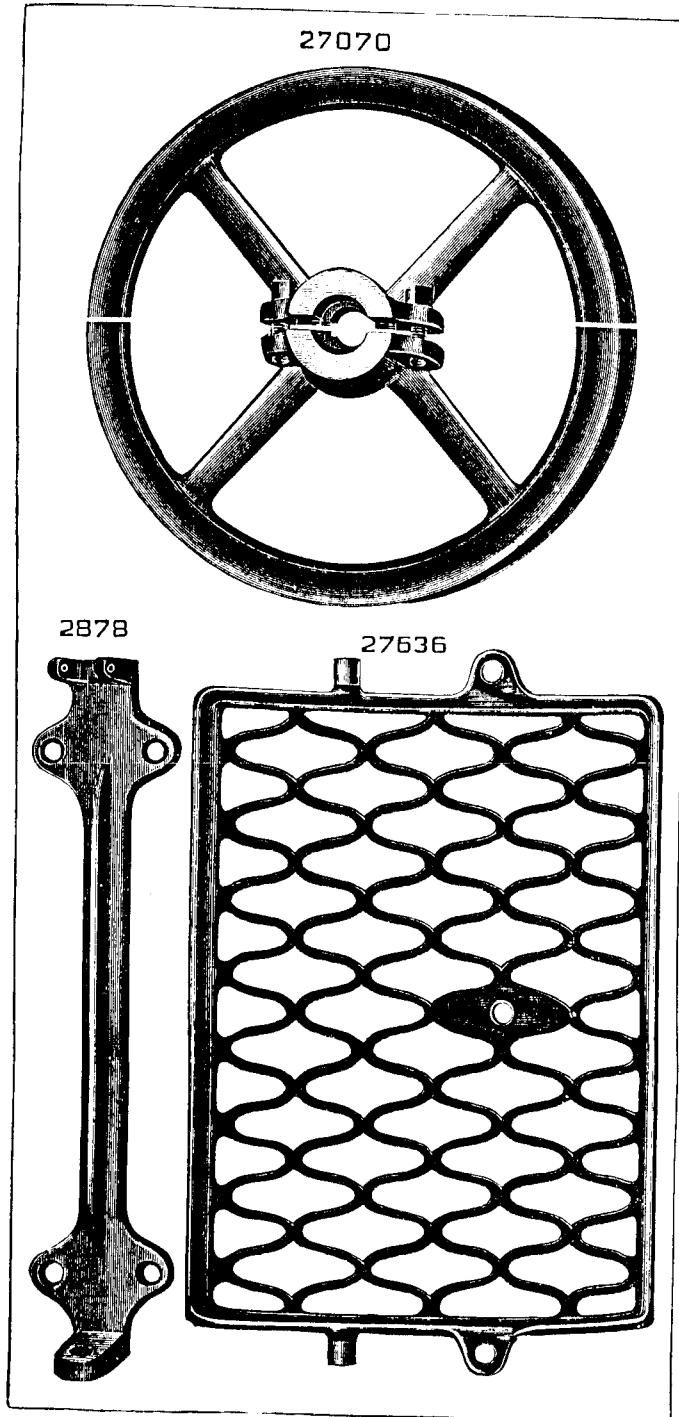


PLATE 2186—FULL SIZE

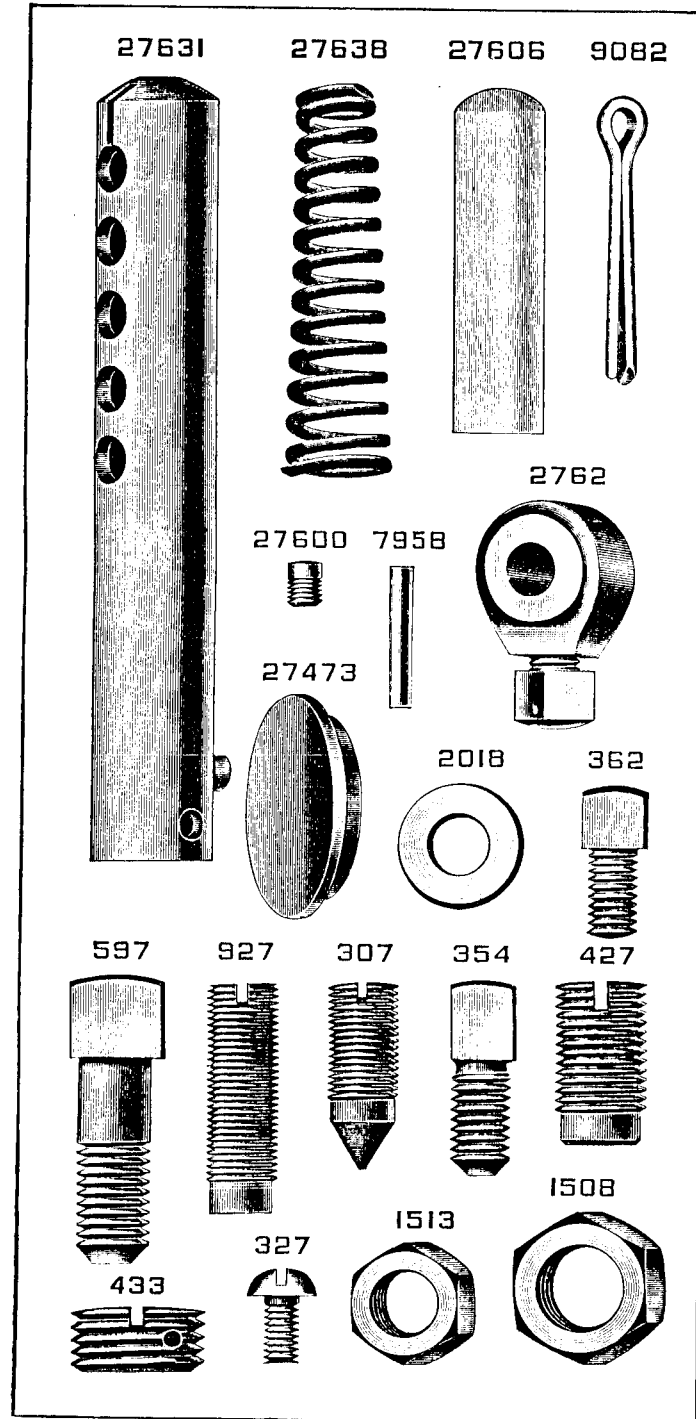


PLATE 2187—ONE-NINTH SIZE

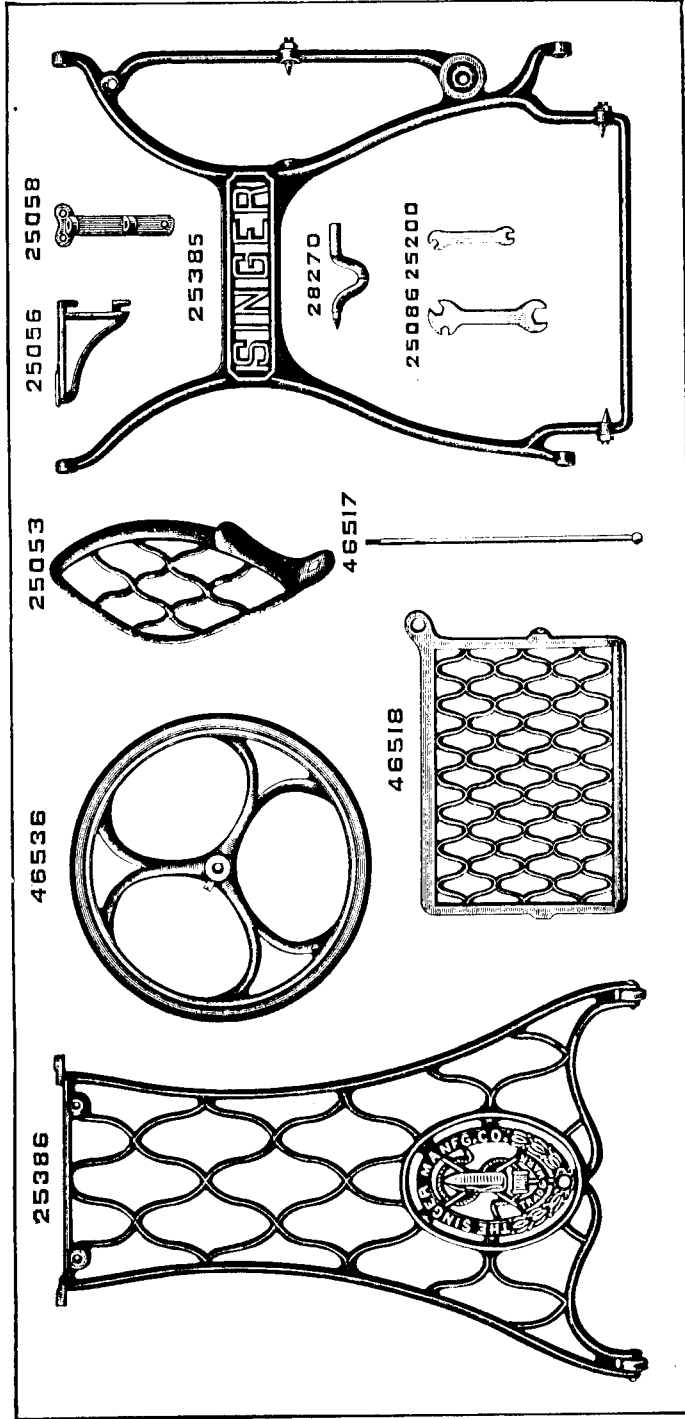


PLATE 3813—ONE-NINTH SIZE

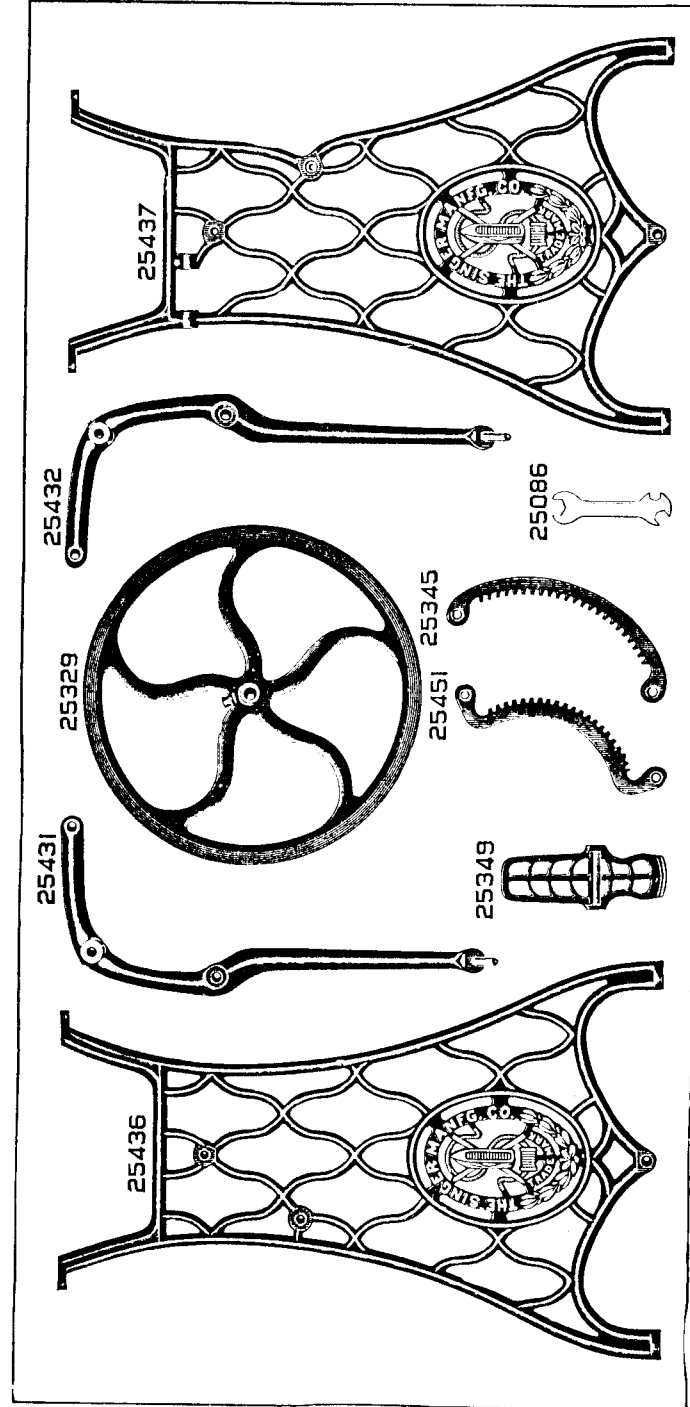


PLATE 3815—ONE-HALF SIZE

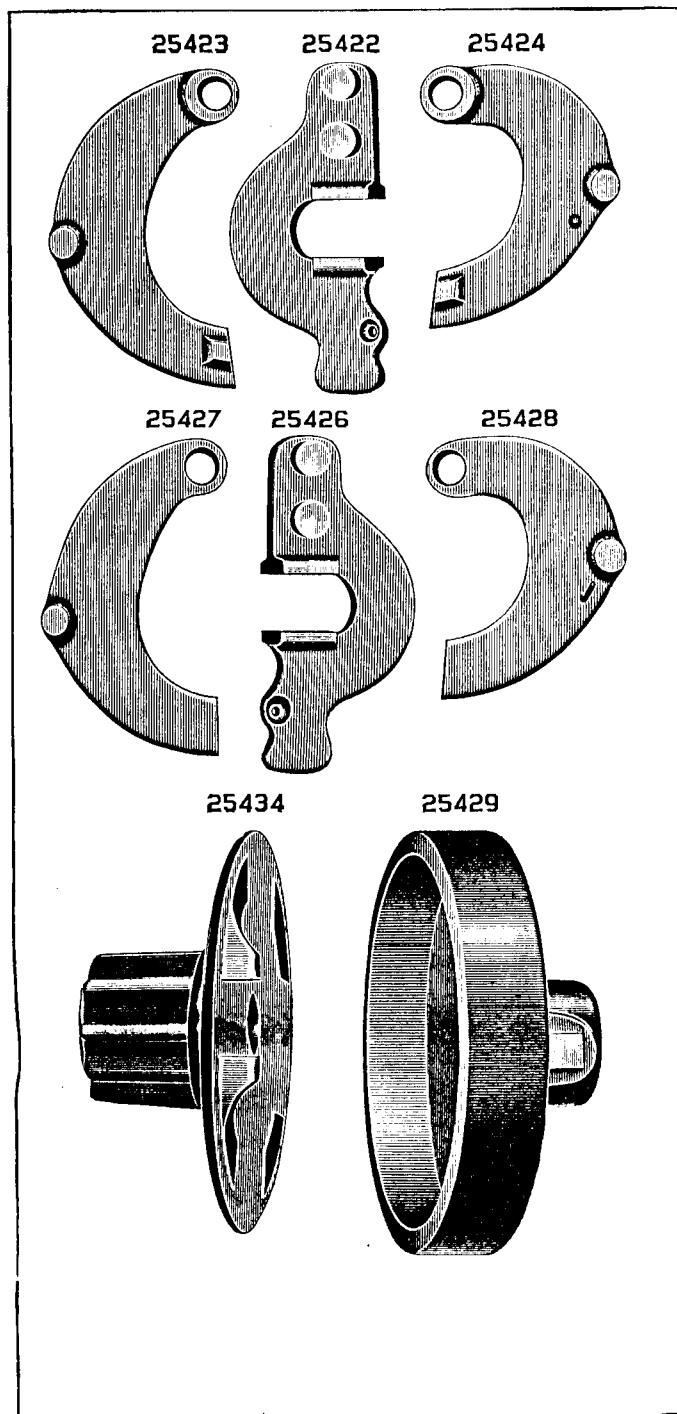


PLATE 3816—ONE-HALF SIZE

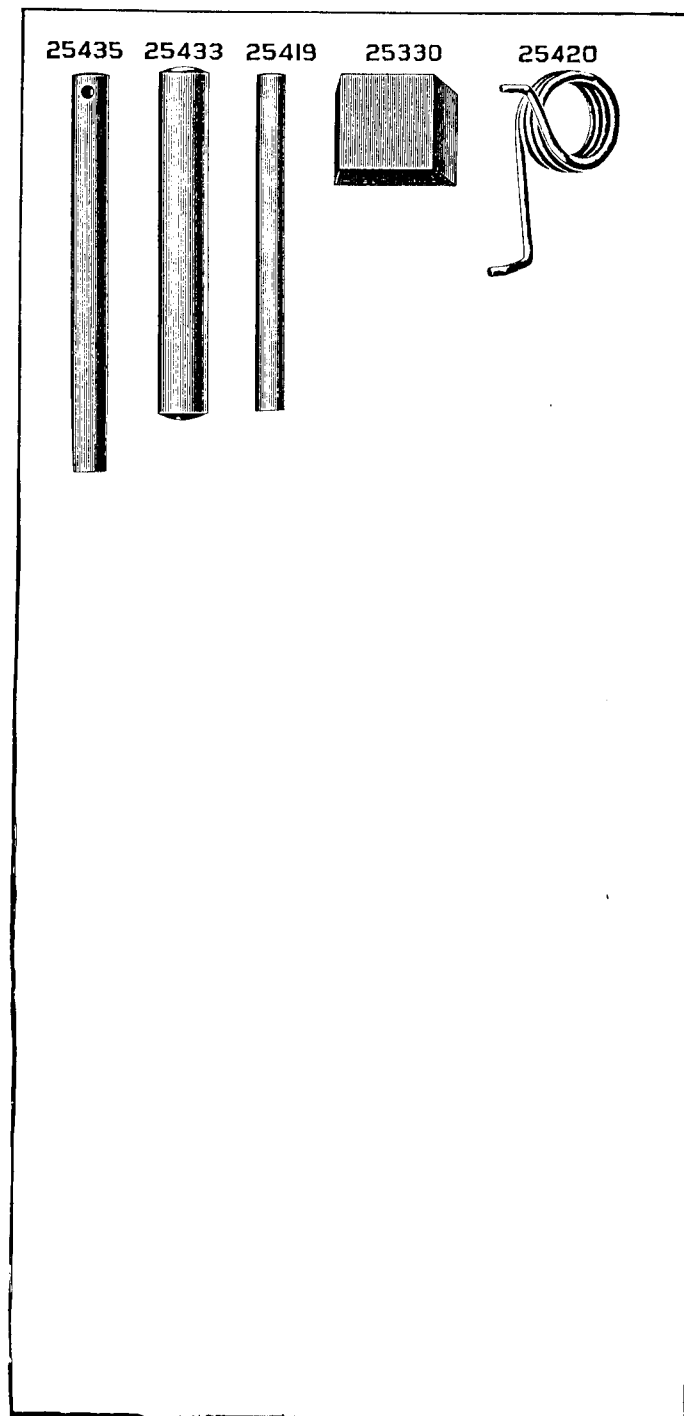


PLATE 3817—FULL SIZE

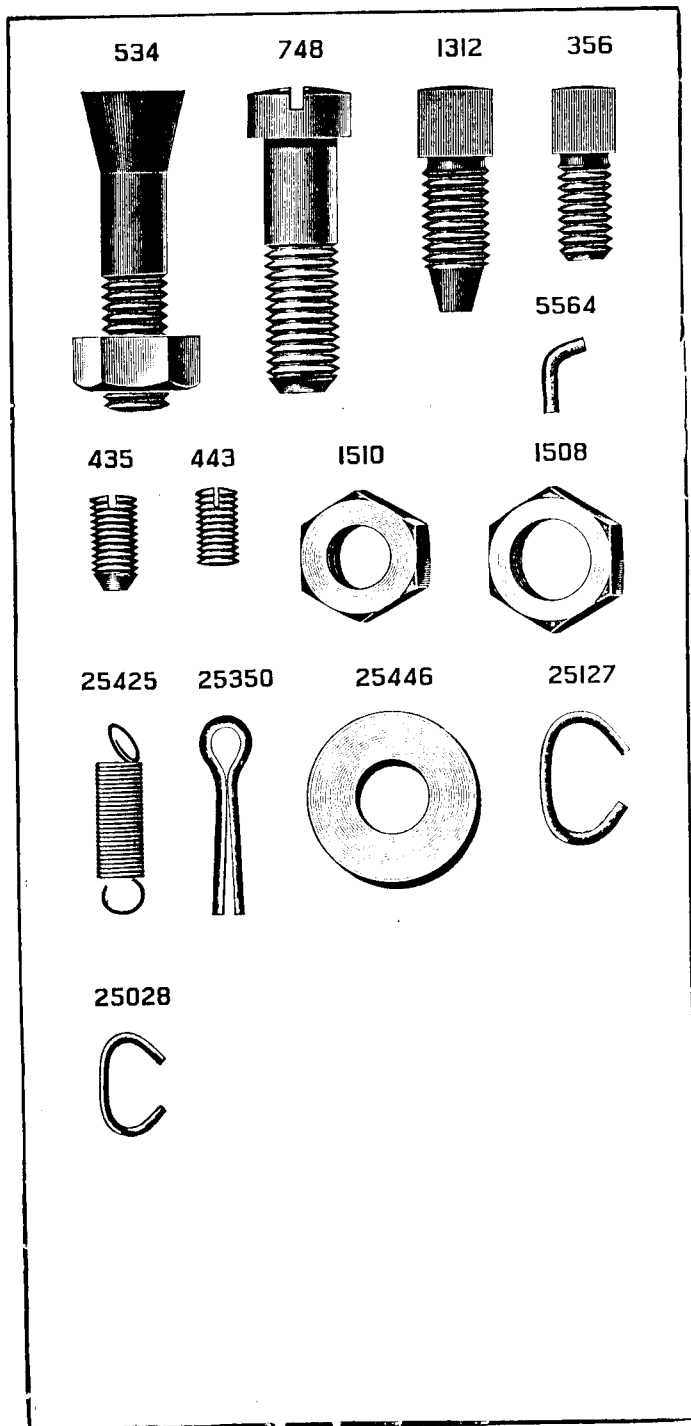


PLATE 3818—ONE-NINTH SIZE

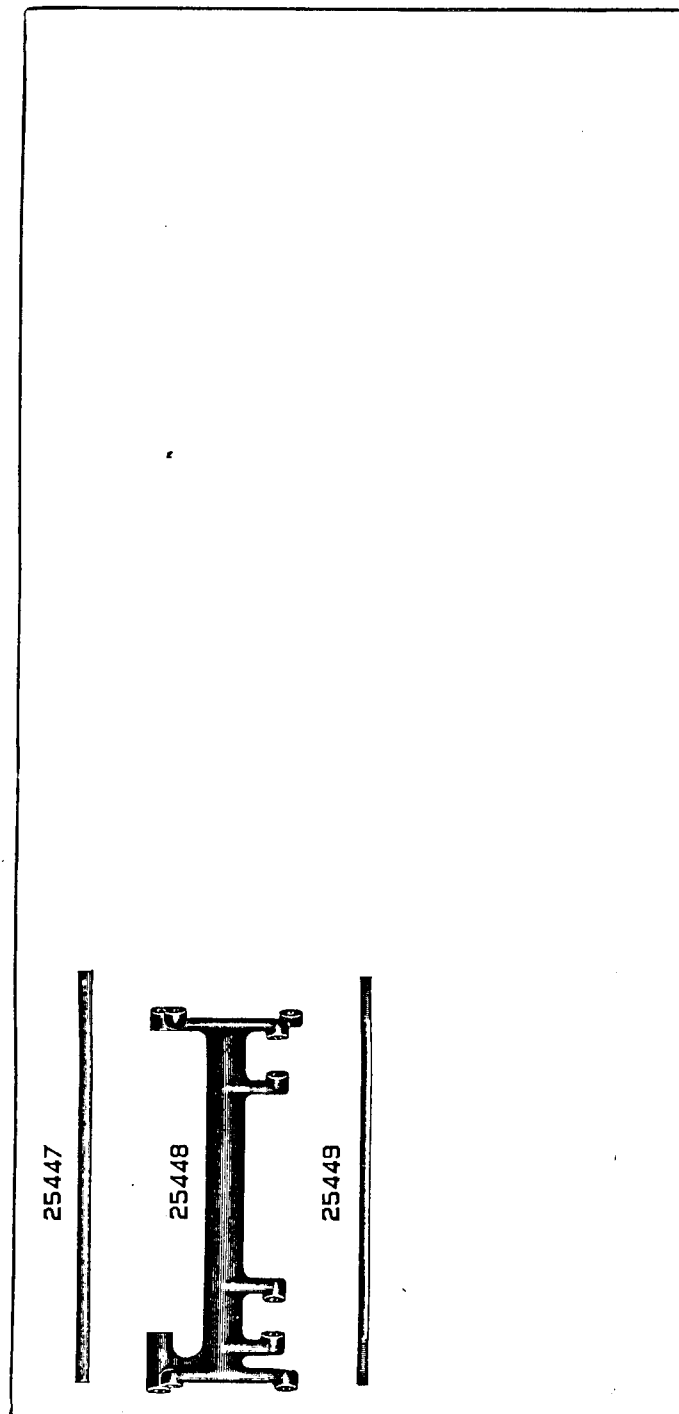


PLATE 3826—FULL SIZE

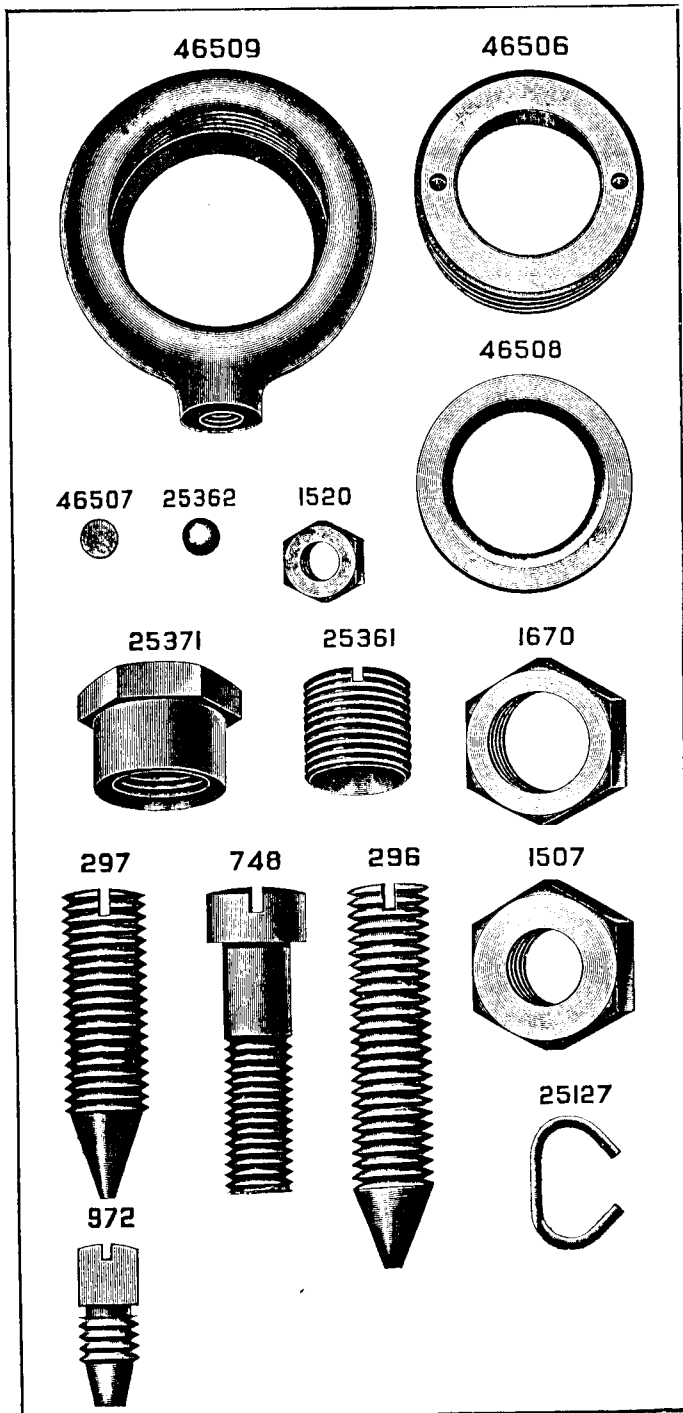


PLATE 5133—ONE-HALF SIZE

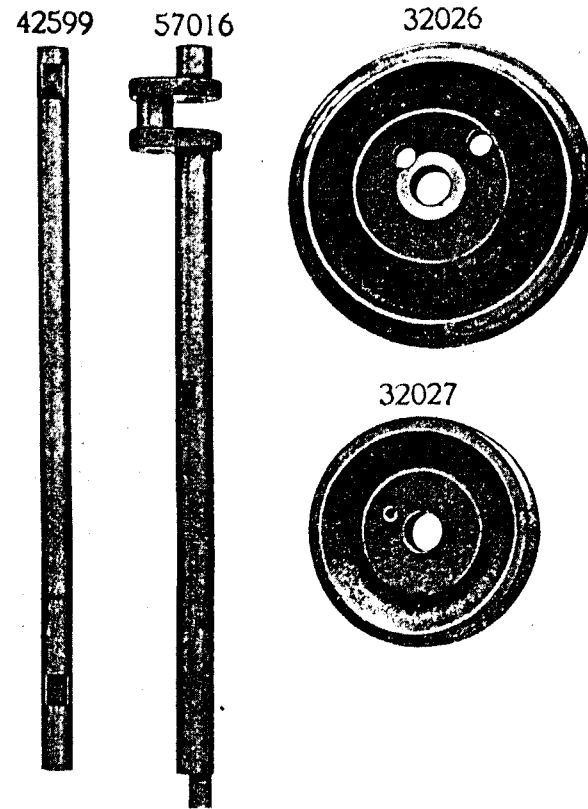


PLATE 5134—FULL SIZE

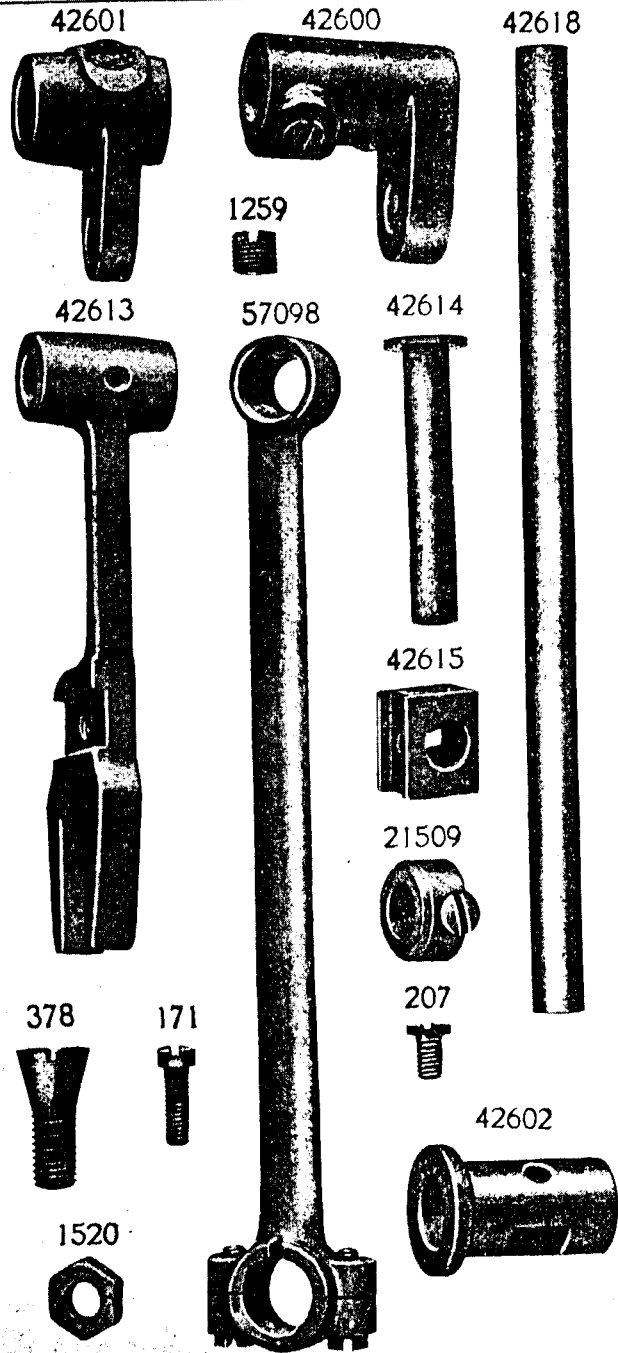


PLATE 5135—FULL SIZE

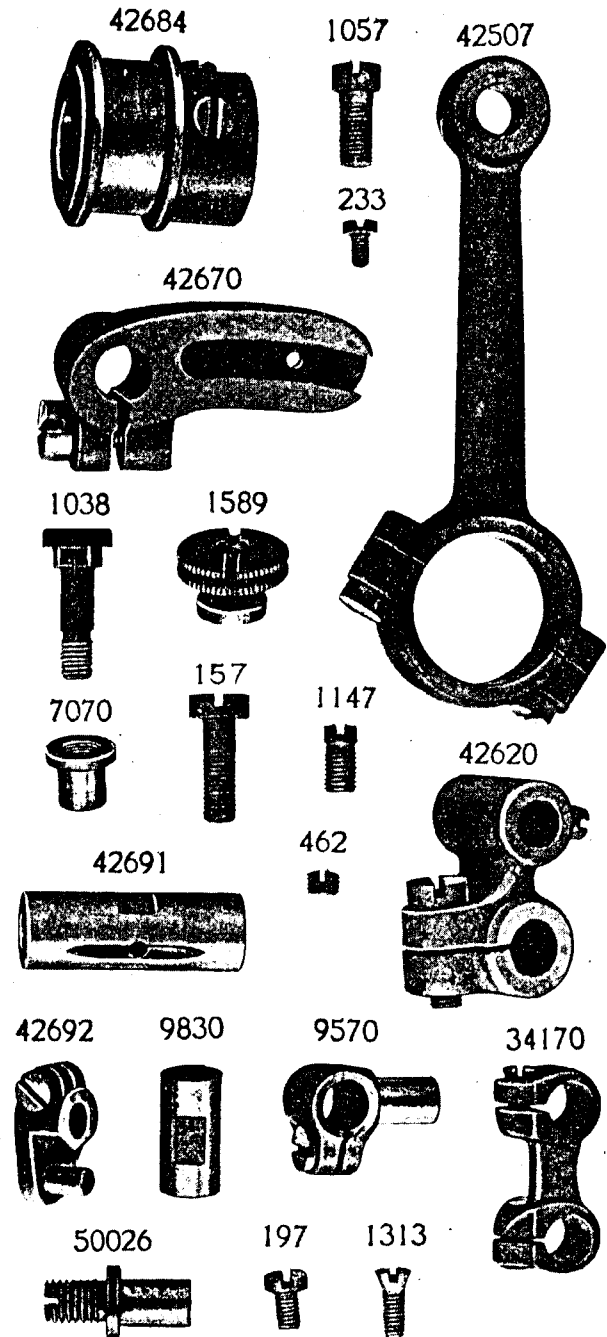


PLATE 5136—FULL SIZE

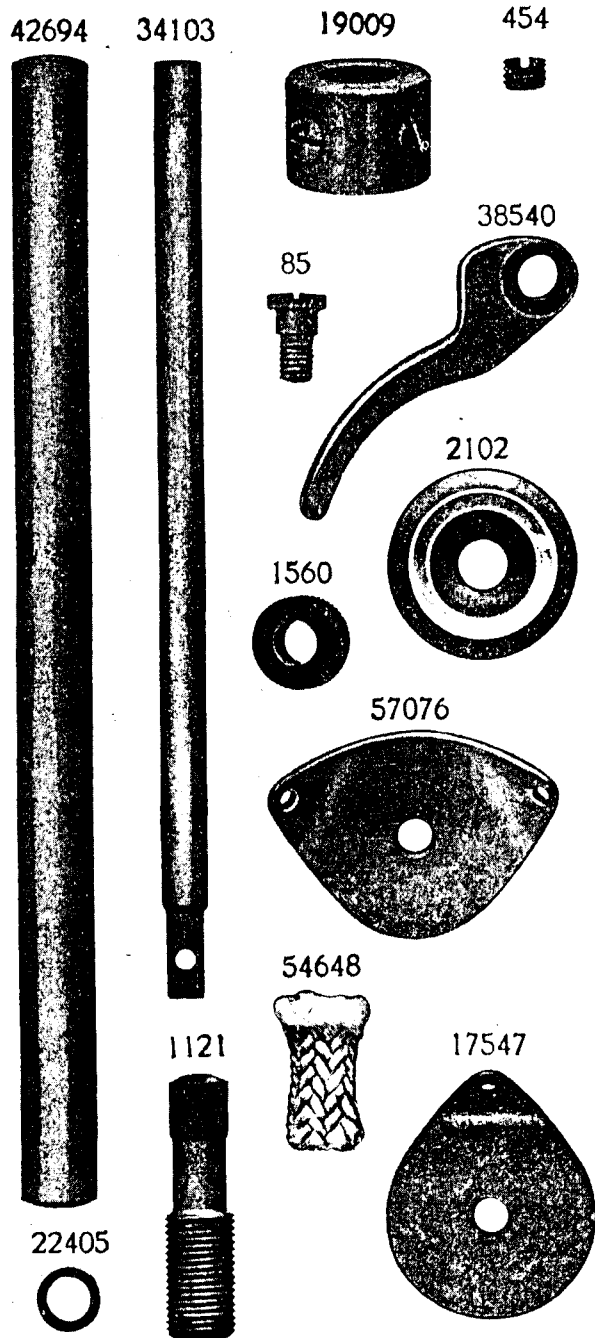


PLATE 5137—FULL SIZE

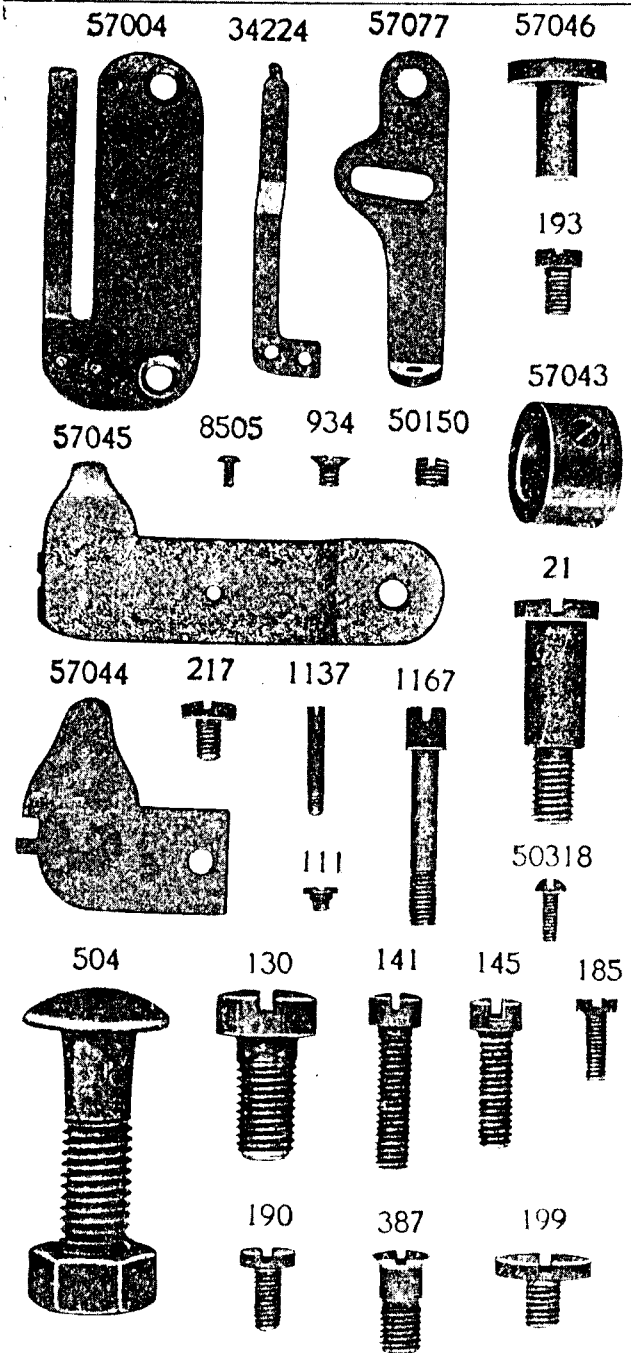


PLATE 5148—ONE-FOURTH SIZE

57048

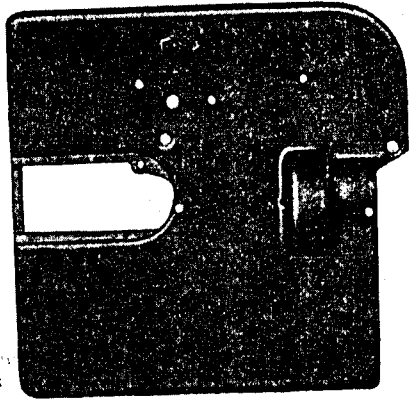
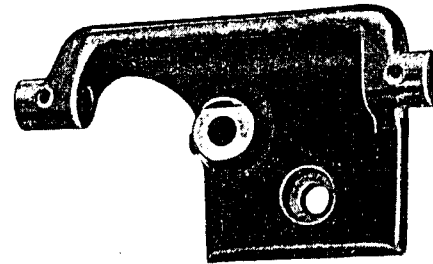
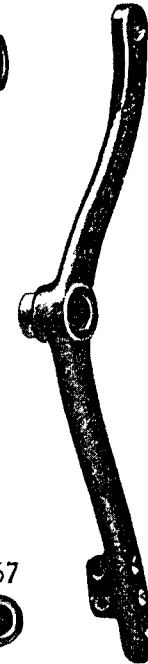


PLATE 5149—ONE-HALF SIZE

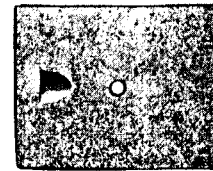
42619



57080



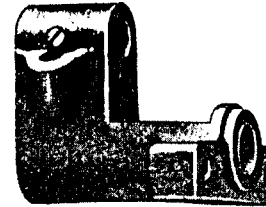
42578



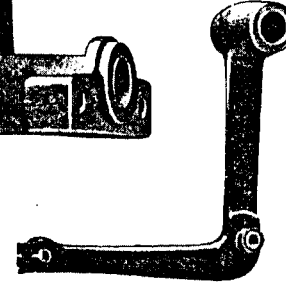
42568



57059



57057



36826



PLATE 6925—FULL SIZE

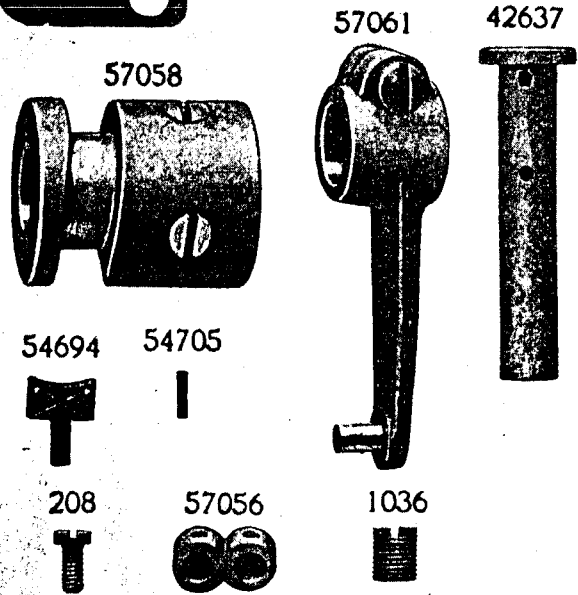
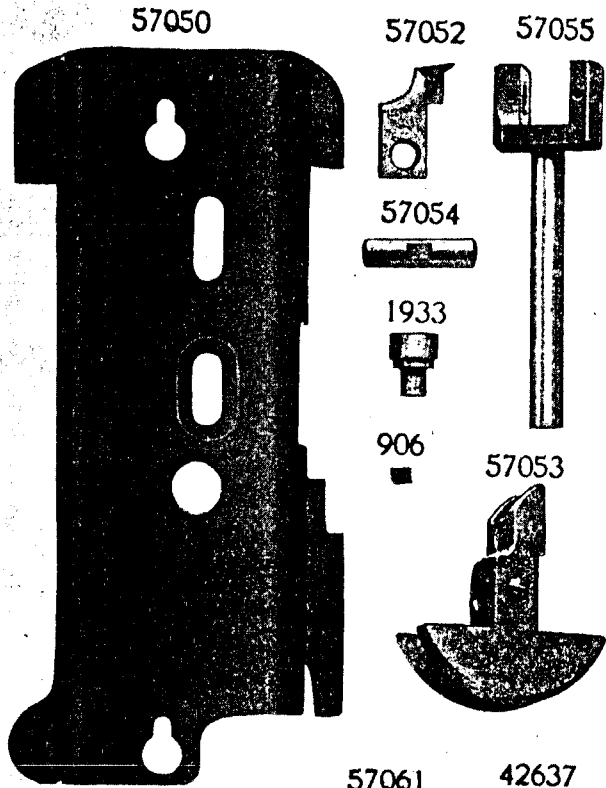


PLATE 6926—FULL SIZE

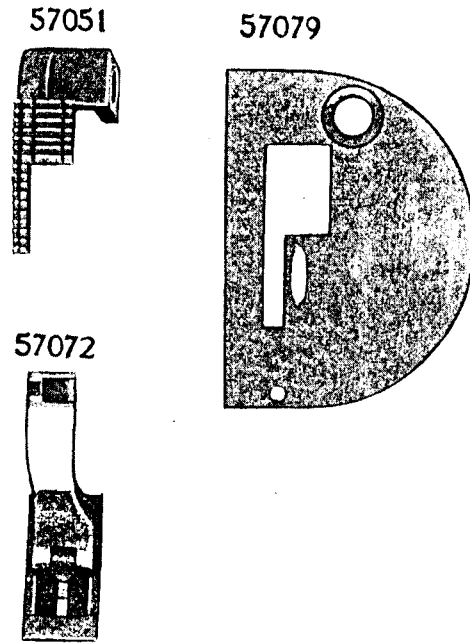
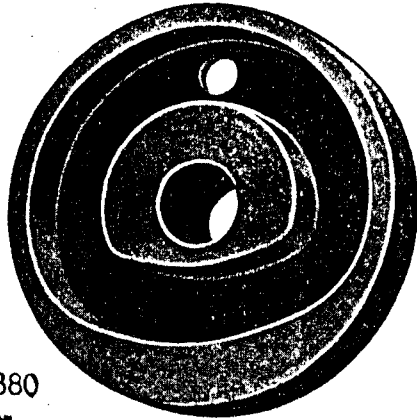


PLATE 6927—FULL SIZE

57063



57060



1380



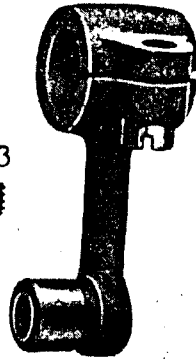
57065



1935



57062



57067



453



57064



1112



219



38617



57068



7071



57066



57073

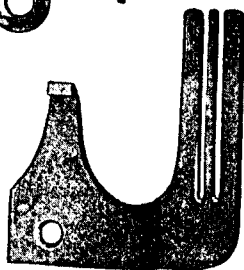
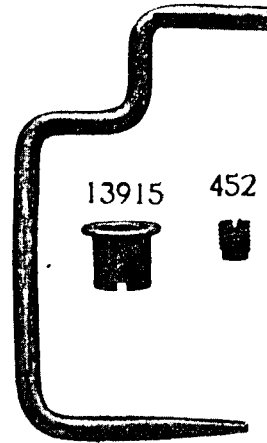


PLATE 6928—FULL SIZE

57075



13915



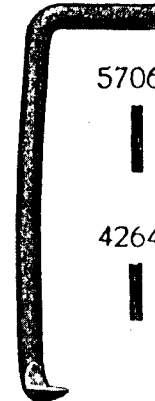
452



50261



57074



57069



42645



57078



13914



1200



57081



448



202



50138



578



50027



PLATE 6929—ONE-FOURTH SIZE

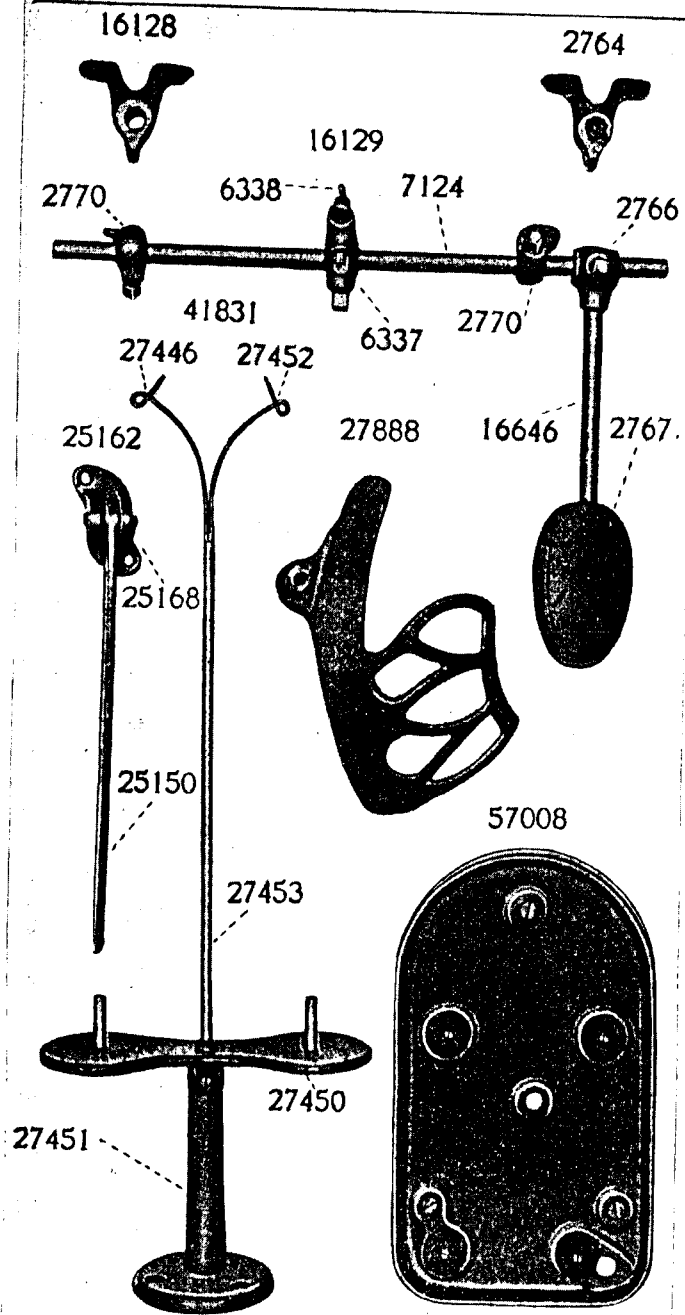


PLATE 6930—ONE-HALF SIZE

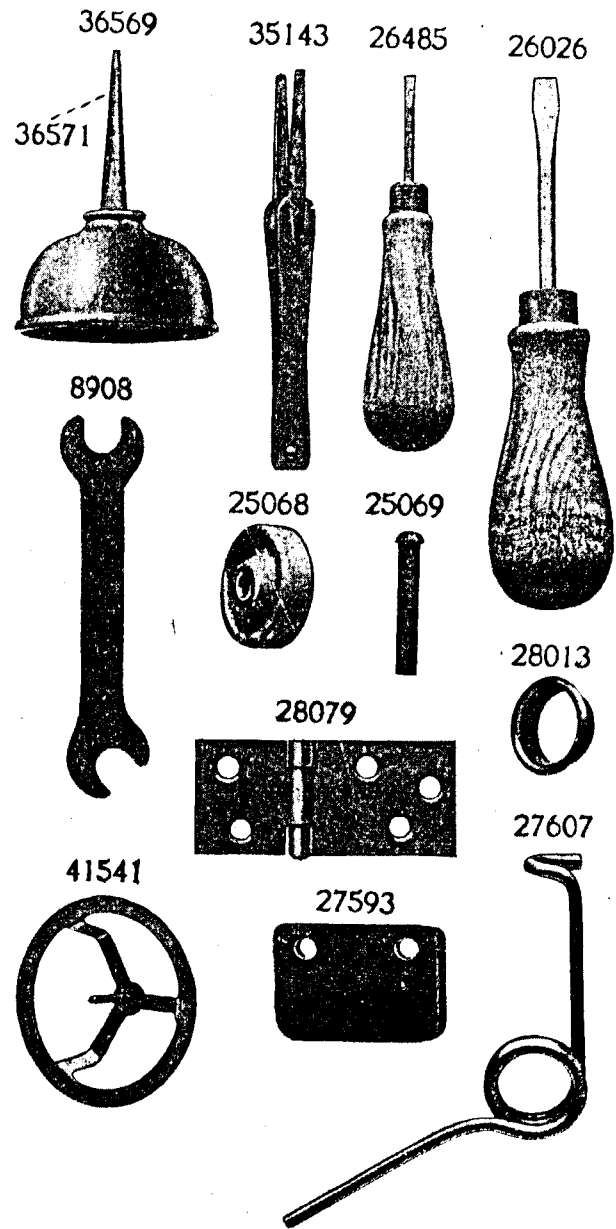


PLATE 6931--FULL SIZE

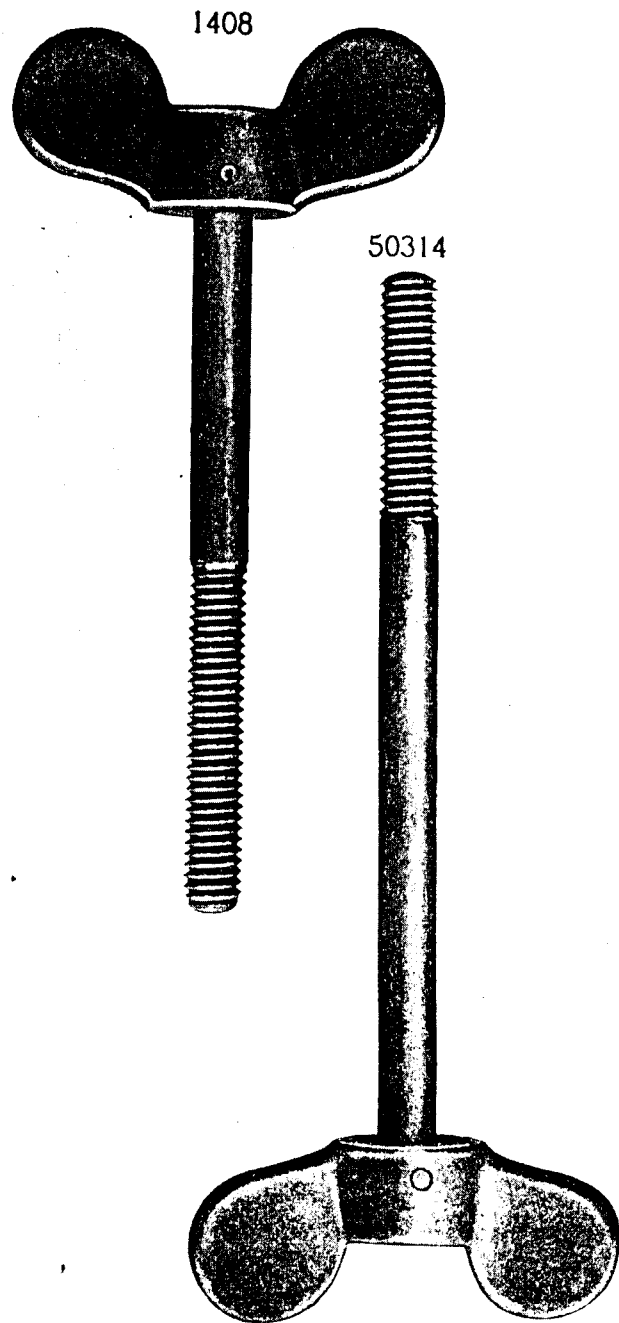


PLATE 6932--FULL SIZE

