

Singer 69-23

Form 19467

(440)

Printed in U. S. A.

# LIST OF PARTS



MACHINE No. 69-23

---

THE SINGER MANUFACTURING COMPANY

## INSTRUCTIONS FOR OILING

To insure easy running and prevent unnecessary wear of the machine, the parts which are in movable contact should be regularly oiled. When the machine is in continuous use oil should be applied at least twice each day.

Copyright, U. S. A., 1933, 1939 and 1940  
by The Singer Manufacturing Company  
All Rights Reserved for all Countries

## INDEX

	Page
Attachments and Accessories.....	15
Bobbin Winder.....	15
Eye and Finger Guard.....	16
Machine No. 69-23.....	5
Numerical List of Parts.....	19
Starting Lever and Foot Lifter Parts.....	17
Table Belt Guide.....	18
Thread Unwinder.....	18

## INSTRUCTIONS FOR ORDERING

In ordering from this list, use ONLY the part NUMBER in the FIRST column.

The number stamped on a Sewing Machine Part is in every case the number of the single part only.

Every combination of parts sent out as such has its specific number, which, although not stamped on the parts, must be used when ordering the combination.

Each number always indicates the SAME PART in whatever list it appears, or for whatever machine.

The letters after some of the numbers indicate the style of finish only, as follows:

- A-Hardened, Polished, Nickel Plated and Buffed
- A.A-Buffed and Chromium Plated
- A.B-Hardened, Polished, Buffed and Chromium Plated
- A.C-Brown Baking Enamel Finish
- A.D-Gray Baking Enamel Finish
- A.E-Hardened, Bright Rumbled and Nickel Plated
- A.F-Hardened, Bright Rumbled, Nickel Plated, Bright Rumbled and Chromium Plated
- B-Polished, Nickel Plated and Buffed
- C-Hardened Only
- C.R-Hardened and Merlized
- D-Polished Only
- E-Soft, Not Polished
- F-Hardened and Polished
- F.J-Hardened, Polished and Nickel Plated
- G-Bright Rumbled and Nickel Plated
- H-Blued
- J-Nickel Plated Only
- K-Hardened and Nickel Plated
- L-Brass Plated
- M-Oxidized
- N-Japanned, Dull
- P-Japanned, Bright
- P.P-Wrinkle Finish
- R-Merlized
- S-Cadmium Plated
- T-Copper Plated
- T.A-Hardened, Polished, Copper and Nickel Plated and Buffed
- T.B-Copper and Nickel Plated and Polished
- T.J-Copper and Nickel Plated Only
- T.K-Hardened, Copper and Nickel Plated
- T.L-Copper and Brass Plated
- T.M-Copper Plated and Oxidized
- U-Zinc Plated
- V-Silver Plated
- W-Polished and Nickel Plated
- X-Black Oxide, for Iron and Steel
- X.C-Hardened and Black Oxide, for Iron or Steel
- Y-Black Nickel Plated Only
- Z-Chromium Plated
- Z.A-Hardened, Polished, Nickel Plated, Buffed and Chromium Plated
- Z.B-Polished, Nickel Plated, Buffed and Chromium Plated
- Z.C-Hardened and Chromium Plated
- Z.D-Polished and Chromium Plated
- Z.G-Bright Rumbled, Nickel Plated, Bright Rumbled and Chromium Plated
- Z.J-Nickel and Chromium Plated
- Z.T-Copper and Chromium Plated

These letters MUST BE USED when they appear in the list; and AFTER the number as in the list.

In this series:

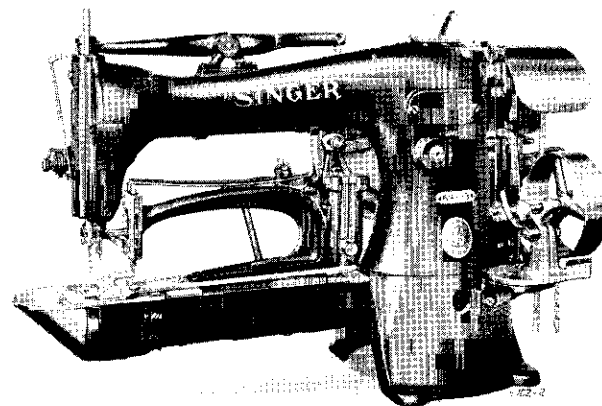
- 1 to 1500, 50001 to 51500 and 140001 to 142000 are Screw Numbers
- 1501 to 1800 and 51501 to 51800 are Nut Numbers
- 1801 to 2000 and 51801 to 52000 are Roller Numbers
- 2001 to 50000 and 52001 to 140000 and 142001 to 190000 are Sewing Machine Parts, 190001 and upward are numbers of Electrical Parts.

The figures in the second column refer only to the plates, illustrating the parts, and are NOT TO BE USED in ordering.

Parts marked with an asterisk (\*) are furnished only when repairs are made at factory.

## LIST OF PARTS COMPLETE

FOR



### MACHINE No. 69-23

For Stitching Tags on Laundry Articles. Small size tag 30/64 inch by 15/64 inch. Makes 21 stitches, 5 stitches on both the upper and lower rows, 4 stitches on each side and 3 tying stitches. Speed 1000 R. P. M.

No.	Plate	Name
55390	8590	Arch Clamp Foot (left) for 55391.....
55391	----	" " " " 55390 with 219K and 63731, for 55934.....
55392	8590	Arch Clamp Foot (right) for 55393.....
55393	----	" " " " 55392 with 219K and 63732, for 55394.....
17958	8596	Arch Clamp Foot Lifter with 17866.....
190J	8596	" " " " Screw.....
63726	8590	" " " " Lifting Stud.....
18477	8590	" " " " Plate.....
190J	8590	" " " " Screw.....
219K	8590	" " " " Screw.....
63731	8590	" " " " Shank (left) with 63726.
63732	8590	" " " " (right) with 63726
63733	8590	" " " " Spring.....

No.	Plate	Name
1221F	8590	Feed Plate Carrier Bar Block Screw.....
55300	8590	" " " " " Steady Pin.
17805	8590	" " " " " Pivot Block.....
1194D	8590	" " " " " " Screw
18390	8590	" " " " " Plate.....
934J	8590	" " " " " " Screw.....
1654C	8590	" " " Nut.....
17806	8590	" " " Position Stud.....
1195E	8590	" " " Screw Stud.....
8505	8590	" " " " " Rivet.....
39361	8595	" Regulator with 1953.....
18469	8595	" " Bracket with 690D and two 160D.....
160D	8595	Feed Regulator Bracket Cap Screw.....
8589	8595	" " " Dowel Pin.....
1177E	8595	" " " " Screw.....
17744	8595	" " " Hinge Stud.....
18488	8590	" " " Post.....
18489	8590	" " " " Guide.....
810D	8590	" " " " " Cap Screw.....
1953	8595	" " " Roller and Screw Stud with 1655C and 14017.....
1655C	8595	Feed Regulator Roller and Screw Stud Nut
14017	8595	" " " " " " " " " Washer.....
39313	8595	Feed Regulator Swivel.....
1191D	8595	" " " Thumb Screw.....
55442	8597	Knife (needle thread) for 55323.....
55456	8597	" (shuttle thread) for 55323.....
55321	8597	" (stationary) for 55329.....
50117J	8597	" " " Screw.....
18370	8592	" Bar with 18373 and two 17822.....
18371	8592	" " Cap.....
217J	8592	" " " " Screw.....
18372	8592	" " " Connection with 17917.....
190J	8592	" " " " Screw.....
7071	8592	" " " " " Washer.....
17915	8592	" " " " Slide Block.....
17917	----	" " " " " " 17915 with 17916.....
17916	8592	Knife Bar Connection Slide Block Stud...
39297	8592	" " Driving Lever with 190J, 1420E, 17919 and 39298.....
1382F	8592	Knife Bar Driving Lever Hinge Screw.....
1681C	8592	" " " " " " Nut.
39298	8592	" " " " " Lock Stud.....
17919	8592	" " " " " " Spring
190J	8592	" " " " " " " Screw.....
1420E	8592	Knife Bar Driving Lever Lock Stud Stop Screw.....

No.	Plate	Name
18373	8592	Knife Bar Rack.....
17822	8592	" " " Rivet.....
39235	8592	" Cam Lever Body.....
39409	----	" " " " 39235 with 39460...
39329	----	Knife Cam Lever complete, Nos. 19793 and 39409.....
18470	8592	Knife Cam Lever Bracket with 1177D.....
8589	8592	" " " " Dowel Pin.....
670E	8592	" " " " " Screw.....
50029C	8592	" " " " Hinge Screw.....
18471	8592	" " " " " Bushing.....
18472	----	" " " " " " " 18471 with 50029C.....
1177D	8592	Knife Cam Lever Hinge Screw Bushing Clamping Screw.....
1980	8592	Knife Cam Lever Roller and Screw Stud with 1654C.....
1654C	8592	Knife Cam Lever Roller and Screw Stud Nut.....
39330	8592	Knife Cam Lever Slide with 1980.....
39460	----	" " " " 39330 with 1255J and 39331.....
1255J	8592	Knife Cam Lever Slide Screw.....
39331	8592	" " " " " Washer.....
19793	8592	" " " Steady Pin.....
17825	8597	" Holder with 17830 and two 7298....
55323	----	" " 17825 with 1198C, 17829, 55442 and 55456.....
7298	8597	Knife Holder Pinion Dowel Pin.....
17827	8597	" " " Stud.....
17828	8597	" " " " Bracket with 17827.....
50018F	8597	Knife Holder Pinion Stud Bracket Screw..
1698C	8597	" " " " " " " Nut
1198C	8597	" Screw.....
17829	8597	" Thread Holder.....
17830	8597	" " " Position Pin.....
17831	8596	Needle Bar with 237F.....
63756	8596	" " Connecting Link with 21629...
377C	8596	" " " " " Hinge Screw..
1518E	8596	" " " " " " Nut
21629	8596	" " " Stud with 155C....
155C	8596	" " " " Set Screw....
39350	8592	" " Thread Nipper Driving Lever (adjustable) with 39351 and two 335J
39351	8592	Needle Bar Thread Nipper Driving Lever Extension.....
335J	8592	Needle Bar Thread Nipper Driving Lever Extension Screw.....
1198C	8592	Needle Bar Thread Nipper Driving Lever Hinge Screw.....

No.	Plate	Name
39352	8592	Needle Bar Thread Nipper Driving Lever Spring.....
17834	8596	Needle Bar Thread Nipper Lever with 17835.....
17835	8596	Needle Bar Thread Nipper Lever Bushing..
1200D	8596	" " " " " Hinge Screw.....
39276	8596	Needle Bar Thread Nipper Lever Spring...
1329D	8596	" " " " " " Screw.....
17837	8592	Needle Bar Thread Nipper Rod.....
17838	8592	" " " " " Adjusting Stud.....
1651E	8592	Needle Bar Thread Nipper Rod Adjusting Stud Lock Nut.....
17839	8592	Needle Bar Thread Nipper Rod Arm with 196F.....
196F	8592	Needle Bar Thread Nipper Rod Arm Set Screw.....
17840	8592	Needle Bar Thread Nipper Rod Support....
190J	8592	" " " " " " Screw
237F	8596	" Set Screw.....
55278	8591	Oscillating Rock Shaft with 4784 and 55453.....
55452	8591	Oscillating Rock Shaft Hinge Pin.....
55453	----	" " " " " " 55452 with 1513J.....
1513J	8591	Oscillating Rock Shaft Hinge Pin Nut....
4784	8591	" " " Oil Pad.....
18385	8591	" Shaft.....
18386	8591	" Crank.....
18387	----	Oscillating Shaft Crank complete, Nos. 237F, 1519E, 15171 and 18386.....
2049	8591	Oscillating Shaft Crank Pin.....
237F	8591	" " " Set Screw.....
15170	8591	" " " Slide Block....
226E	8591	" " " " " Cap Screw.....
12424	8591	Oscillating Shaft Crank Slide Block Cap Screw Washer.....
1035C	8591	Oscillating Shaft Crank Slide Block Screw Stud.....
1519E	8591	Oscillating Shaft Crank Slide Block Screw Stud Nut.....
15171	----	Oscillating Shaft Crank Slide Block complete, Nos. 226E, 1035C, 12424 and 15170.....
2058	8596	Presser Bar.....
17841	8596	" " Collar with two 196F.....
196F	8596	" " " Set Screw.....

No.	Plate	Name
17842	8596	Presser Bar Guide Bracket with 453C.....
453C	8596	" " " " Set Screw.....
17843	8592	" " Lifting Lever.....
17844	8592	" " " " Bracket.....
164E	8592	" " " " " Screw
1201C	8592	" " " " Hinge Screw...
17845	8592	" " " " Rod.....
17846	8592	" " " " " Chain.....
32875	8596	" " Spring.....
68712	8591	Pulley (loose) 2 3/4 in. diam. with 200584D.....
68713	----	Pulley (loose) 68712 with 68714.....
68714	8591	" " Ball Bearing.....
68715	8591	" " Bushing.....
51387R	8591	" " Cap Screw.....
200584D	8591	" " Oil Plug Screw.....
68716	8591	" (tight) 2 7/8 in. diam.....
68720	----	" " 68716 with 1206C and 17854.....
2022	8591	Pulley (tight) Pin.....
68717	----	Pulleys (ball bearing) complete, Nos. 51387R, 68713, 68715 and 68720.....
2996	8597	Shuttle Bobbin.....
15140	8597	" " Case Latch.....
2973	8597	" " " " Lever.....
2974	8597	" " " " " Fulcrum Pin.....
2975	8597	Shuttle Bobbin Case Latch Spring.....
592E	8597	" " " " Stop Screw....
15141	8597	" " " Hinge, Nos. 2973, 2974 and 15140.....
15277	8597	Shuttle Bobbin Case complete, Nos. 591F, 592E, 2975, 15141 and 15278.....
21562	8597	Shuttle Body.....
591F	8597	" Tension Regulating Screw.....
15278	8597	" " Spring.....
21561	8597	Shuttle, 1 11/16 in. diam., Nos. 2996, 15277 and 21562.....
2441	8591	Shuttle Driver with two 462C.....
2049	8591	" " Pin.....
462C	8591	" " Set Screw.....
18411	8597	" Race Body.....
21623	8597	" " Cap.....
662D	8597	" " " Screw.....
2523	8597	" " " Steady Pin.....
16429	8597	" " Ring.....
55439	8597	" " " Spring.....
1289D	8597	" " " " Screw.....
18430	8597	Shuttle Race (flexible) complete, Nos. 662D, 2523, 18411, 18429, 21623 and two each 1289D and 55439.....

No.	Plate	Name
171D	8597	Shuttle Race Screw.....
17853	8598	Starting Lever.....
1262C	8598	" " Hinge Screw.....
1662C	8598	" " " " Nut.....
17886	8598	" " Pitman.....
17854	8591	Stop Cam.....
17855	8598	" " Interlocking Rod.....
55388	8598	" " " " Case.....
55389	----	" " " " " 55388 with 18443 and two 193J.....
55418	----	Stop Cam Interlocking Rod Case 55389 with 63976 and two 1255D.....
55285	----	Stop Cam Interlocking Rod Case 55418 with 1318D,17855,17863,17864,39222 and 68739.....
39346	8598	Stop Cam Interlocking Rod Case Bracket..
55304	----	Stop Cam Interlocking Rod Case Bracket complete, Nos. 1182E, 1196C, 1204E, 1254C,1262C,1508E,1662C,17853,17859, 17861,17862,17872,17873,39346,55285 and two 898D.....
18493	8598	Stop Cam Interlocking Rod Case Bracket 55304 with 39343,39344 and two 1186D
16532	8598	Stop Cam Interlocking Rod Case Bracket Dowel Pin.....
1343E	8598	Stop Cam Interlocking Rod Case Bracket Screw.....
1204E	8598	Stop Cam Interlocking Rod Case Hinge Screw.....
17859	8598	Stop Cam Interlocking Rod Case Socket Joint.....
898D	8598	Stop Cam Interlocking Rod Case Socket Joint Cap Screw.....
39343	8598	Stop Cam Interlocking Rod Case Spring (flat).....
50682C	8598	Stop Cam Interlocking Rod Case Spring Adjusting Screw.....
1520E	8598	Stop Cam Interlocking Rod Case Spring Adjusting Screw Nut.....
39344	8598	Stop Cam Interlocking Rod Case Spring Bracket with 1520E and 50682C.....
1186D	8598	Stop Cam Interlocking Rod Case Spring Bracket Screw.....
17861	8598	Stop Cam Interlocking Rod Case Stop Stud
1254C	8598	" " " " " " " "
1508E	8598	Stop Cam Interlocking Rod Case Stop Stud Screw Bushing Lock Nut.....
17862	8598	Stop Cam Interlocking Rod Case Stop Stud Spring.....

No.	Plate	Name
18443	8598	Stop Cam Interlocking Rod Case Wearing Block.....
193J	8598	Stop Cam Interlocking Rod Case Wearing Block Screw.....
17863	8598	Stop Cam Interlocking Rod Spring.....
17864	8598	" " " " Stop.....
1318D	8598	" " " " " Screw....
68739	8598	" " " " " " " Wash- er.....
3012	8591	Stop Cam Pin.....
1206C	8591	" " Screw.....
2102	8593	Tension Disc.....
1560C	8593	" Regulating Thumb Nut.....
600C	8593	" Screw Stud.....
16202	----	" " " 600C with 1560C.....
448C	8593	" " " Set Screw.....
2103	8593	" Spring.....
2105	8593	" Thread Guard.....
58791	8593	Tension complete, Nos. 2103, 2124, 16202 and two 2102.....
18392	8591	Thread Take-up Cam with 446C.....
3012	8591	" " " Pin.....
446C	8591	" " " Set Screw.....
55283	8591	" " Lever with 79C and 1822..
79C	8591	" " " Hinge Screw.....
1822	8591	" " " Roller and Stud....
2124	8593	" " Spring.....
2127	8593	" " " Regulator Plate...
233J	8593	" " " " " Ad- justing Screw.....
17865	8596	Thread Wiper Body.....
1207D	8596	" " " Hinge Screw.....
17866	8596	" " " Hook.....
17867	8596	" " " Support.....
641C	8596	" " " " Set Screw....
17868	8596	" " " Wire.....
337D	8596	" " " " Screw.....
17869	8596	" " " " Washer....
55324	8597	Throat Plate.....
55327	----	" " 55324 with 55325 and two 1208D .....
55325	8597	Throat Plate Needle Hole Bushing (large needle hole).....
1208D	8597	Throat Plate Needle Hole Bushing Screw..
55329	8597	Throat Plate complete, Nos. 1698C,17828, 50018F,50117J,55321,55323 and 55327.
691F	8597	Throat Plate Screw.....
17872	8598	Trip Lever.....
1196C	8598	" " Hinge Screw.....
17873	8598	" " Spring.....

## PARTS FOR MACHINE No. 69-23

No.	Plate	Name
1182E	8598	Trip Lever Spring Screw.....
17874	8594	Tripping Point.....
190J	8594	" " Screw.....
*15404	----	Trade Mark.....
15405	----	" " Rivet.....

## ATTACHMENTS AND ACCESSORIES

No.	Plate	Name
18419	8599	Cylinder Base Plate with two 453C.....
18420	8599	" " " Hinge Connection....
18423	8599	" " " " " Hinge Pin.....
453C	8599	Cylinder Base Plate Hinge Connection Hinge Pin Set Screw.....
18424	8599	Cylinder Base Plate (hinged) complete, Nos. 18419, two each 18420, 18423, three wood screws 1 1/4 in. No. 12 and four 134D.....
134D	8599	Cylinder Base Plate Screw.....
41400	8599	Machine Rest Pin (wood).....
120346	8599	Oiler (copper plated) with 120347.....
120347	8599	" Spout, 8 1/2 in. long.....
11831	8599	Screw Driver (large).....
26026	8599	" " (machine).....
26485	8599	" " (shuttle tension).....
10875	8599	Wrench for 1518 and 1520.....
27662	8599	" " 1508.....
17905	8599	" " 1654 and 1676.....
22003	8599	" " 1651.....

## BOBBIN WINDER

(SWINGING AUTOMATIC, LEFT HAND)

No.	Plate	Name
41598	8600	Base with 27916 and two 28084.....
1186C	8600	" Screw.....
15072	8600	Bobbin Position Pin.....
126391	8600	Bracket for 41716.....
129E	8600	" Screw.....
27916	8600	Brako (leather).....
28084	8600	" Rivet.....
27321	8600	Frame.....
50356D	8600	" Hinge Screw.....
1620J	8600	" " " Nut.....
41825	8600	" Spring.....
41600	8600	Pulley with 155C.....
155C	8600	" Set Screw.....
27538	8600	Spindle with 15072, 27850 and 41828.....
27850	8600	" Collar.....
41828	8600	" " Pin.....
27328	8600	Stop Latch.....

Genuine Singer Needles should be used  
in Singer Machines.  
These Needles and their Containers  
are marked with the  
Company's Trade Mark "SIMANCO." 1

Needles in Containers marked  
"For Singer Machines"  
are not Singer made needles. 2



## BOBBIN WINDER

No.	Plate	Name
35D	8600	Stop Latch Hinge Screw.....
60769	8600	Tension Bracket.....
60770	8600	Tension Bracket complete, Nos. 419E, 1562J, 8422, 9780, 43808, 60769 and two 2455.....
9780	8600	Tension Bracket Position Stud.....
161J	8600	" " Screw.....
2455	8600	" Disc.....
1562J	8600	" Regulating Thumb Nut.....
419E	8600	" Screw Stud.....
43808	8600	" Spring.....
8422	8600	" Thread Guide.....
41604	----	Bobbin Winder, Nos. 35D, 1620J, 27321, 27328, 27538, 41598, 41600, 41825 and 50356D.....
41716	8600	Bobbin Winder (swinging automatic, left hand) complete for 126391, Nos. 161J, 41604, 60770 and two 1186C.....

## EYE AND FINGER GUARD

No.	Plate	Name
121603	8601	Eye and Finger Guard (glass).....
121604	8601	Carrying Arm.....
1004K	8601	" " Hinge Screw (back).....
1698J	8601	" " " " " Nut.....
50222K	8601	" " " " (front).....
1735J	8601	" " " " " Nut.....
121605	8601	" " Spring.....
50435K	8601	Depressing Screw.....
121606	8601	" " Holder.....
140061J	8601	" " " Screw.....
121607	8601	Frame.....
121608	----	" 121607 with 121603.....
50165J	8601	" Screw.....
121609	8601	Guiding Rod.....
50435K	8601	" " Hinge Screw.....
121611	8601	Holder.....
121612	8601	Supporting Bracket.....
191J	8601	" " " Screw.....
121613	----	Eye and Finger Guard complete, Nos. 1004K, 1698J, 1735J, 50222K, 50435K, 121604, 121605, 121608, 121609, 121611, 121612 and two 50165J.....
68740	----	Face Plate.....
68741	8601	" " 68740 with 2105.....
68742	----	Face Plate complete, Nos. 448C, 2107, 2127, 56791, 68741 and two 233J.....

## EYE AND FINGER GUARD

No.	Plate	Name
164D	8601	Face Plate Screw.....
2107	8601	" " Thread Guard.....
233J	8601	" " " " Screw.....
2102	8601	Tension Disc.....
1560C	8601	" Regulating Thumb Nut.....
600C	8601	" Screw Stud.....
16202	----	" " " 600C with 1560C.....
448C	8601	" " " Set Screw.....
2103	8601	" Spring.....
2105	8601	" Thread Guard.....
56791	8593	Tension complete, Nos. 2103, 2124, 16202 and two 2102.....
2124	8601	Thread Take-up Spring.....
2127	8601	" " " Regulator Plate...
233J	8601	" " " " " Ad- justing Screw.....
121626	8601	Eye and Finger Guard with Face Plate complete, Nos. 50435K, 68742, 121606, 121613, 140061J and two 191J.....

STARTING LEVER AND FOOT  
LIFTER PARTS

No.	Plate	Name
17876	8602	Treadle with 443C.....
17877	8602	" Pitman Rod (lower).....
17878	8602	" " " (upper).....
17879	8602	" " " Clamp with two 161E..
161 E	8602	" " " " Screw.....
17880	8602	Treadle Pitman complete, Nos. 17877 to 17879.....
17881	8602	Treadle Shaft.....
443C	8602	" " Set Screw.....
17882	8602	" Spring.....
17883	8602	" Stand.....
17884	8602	Treadle complete, Nos. 17876, 17881 to 17883 and two wood screws 1 in. No. 10.....
17885	----	Treadle and Pitman complete, Nos. 17880 and 17884.....

## TABLE BELT GUIDE

No.	Plate	Name
39218	8602	Belt Guide with two 168E.....
168E	8602	" " Set Screw.....
17892	8602	Bracket with two 153E.....
17893	8602	Pulley.....
39219	8602	" Shaft (long) with 17896 and 63973
63973	8602	" " " Wick (braided cotton)
39220	8602	" " (short) with 17896 and 63974
63974	8602	" " " Wick (braided cotton)
17896	8602	" " Plug.....
153E	8602	" " Set Screw.....
39221	8602	Table Belt Guide complete, Nos. 17892, 39219,39220,two each 17893,39218 and three wood screws 1 1/4 in. No. 12..

## THREAD UNWINDER

FOR TWO SPOOLS OR TWO LARGE CONES OF THREAD

No.	Plate	Name
225257	22248	Spool Rest with 201018C.....
150203	22248	" " Cushion (felt).....
225388	22248	" " Rod.....
200383C	22248	" " " Set Screw.....
201018C	22248	" " Set Screw.....
202490	22248	" Stand with 200383C.....
225391	22248	Thread Guide.....
201696J	22248	" " Lock Nut.....
225326	22248	" " Position Cup.....
225324	22248	" " Rod with 208E and 225322...
208E	22248	" " " Screw.....
225322	22248	" " " Washer.....
225258	22248	Thread Unwinder complete, Nos. 201696J, 202490,225257,225324,225326,225388, two each 150203, 225391 and three wood screws 7/8 in. No. 12 F.H.....
27739	22248	Thread Cone (wood) for large cones.....
225390	22248	" " Holder, for inverted cones..

Note: Nos. 27739 and 225390 are used with, but not included in 225258.

## NUMERICAL LIST OF PARTS

No.	Plate	Name
35D	8600	Bobbin Winder Stop Latch Hinge Screw for 41604.....
79C	8591	Thread Take-up Lever Hinge Screw for 55283.....
129E	8600	Bobbin Winder Bracket Screw.....
134D	8599	Cylinder Base Plate Screw for 18424.....
145E	8591	Crank Connecting Rod Cap Screw for 4292.
153E	8602	Table Belt Guide Pulley Shaft Set Screw for 17892.....
155C	8600	Bobbin Winder Pulley Set Screw for 41600
155C	8596	Needle Bar Connecting Stud Set Screw for 21629.....
160E	8591	Feed Across Shaft Crank (back) Clamping Screw for 18360.....
160E	8591	Feed Across Shaft Crank (front) Clamping Screw for 18362.....
160D	8595	Feed Regulator Bracket Cap Screw for 18469.....
161J	8600	Bobbin Winder Tension Bracket Screw for 41716.....
161E	8602	Starting Lever and Foot Lifter Treadle Pitman Rod Clamp Screw for 17879....
164D	8593	Face Plate Screw.....
164E	8592	Presser Bar Lifting Lever Bracket Screw for 55405.....
168E	8602	Table Belt Guide Set Screw for 39218....
171D	8597	Shuttle Race Screw.....
181D	8590	Arch Clamp Frame Screw for 55394.....
184E	8591	Belt Cover Bracket Screw Stud for 39290.
190J	8596	Arch Clamp Foot Lifter Screw.....
190J	8590	" " " Plate Screw for 55394...
190J	8591	Arm Side Cover Screw.....
190J	8592	Knife Bar Connection Screw.....
190J	8592	" " Driving Lever Lock Stud Spring Screw for 39297.....
190J	8592	Needle Bar Thread Nipper Rod Support Screw.....
190J	8594	Tripping Point Screw for 55430.....
191J	8601	Eye and Finger Guard Supporting Bracket Screw for 121626.....
193J	8598	Stop Cam Interlocking Rod Case Wearing Block Screw for 55389.....
196F	8592	Needle Bar Thread Nipper Rod Arm Set Screw for 17839.....
196F	8596	Presser Bar Collar Set Screw for 17841..
200F	8591	Feed Across Shaft Collar Set Screw for 18359.....

## NUMERICAL LIST OF PARTS

No.	Plate	Name
200C	8591	Feed Across Shaft Crank (back) Ball Stud Set Screw for 18360.....
208E	22248	Thread Unwinder Thread Guide Rod Screw for 225324.....
217J	8591	Belt Cover Screw.....
217E	8597	Cylinder End Cover Spring Screw.....
217J	8592	Knife Bar Cap Screw.....
219K	8590	Arch Clamp Foot Screw for 55391 and 55393.....
226E	8591	Oscillating Shaft Crank Slide Block Cap Screw for 15171.....
233J	8593	Face Plate Thread Guard Screw for 17725 and 68742.....
233J	8593	Thread Take-up Spring Regulator Plate Adjusting Screw for 17725 and 68742..
237F	8596	Needle Set Screw for 17831.....
237F	8591	Oscillating Shaft Crank Set Screw for 18387.....
335J	8592	Needle Bar Thread Nipper Driving Lever Extension Screw for 39350.....
337D	8596	Thread Wiper Body Wire Screw.....
375C	8591	Crank Connecting Rod Hinge Screw.....
377C	8596	Needle Bar Connecting Link Hinge Screw..
419E	8600	Bobbin Winder Tension Screw Stud for 60770.....
443C	8602	Starting Lever and Foot Lifter Treadle Shaft Set Screw for 17876.....
446C	8591	Thread Take-up Cam Set Screw for 18392..
448C	8593	Tension Screw Stud Set Screw for 17725 and 68742.....
453C	8599	Cylinder Base Plate Hinge Connection Hinge Pin Set Screw for 18419.....
453C	8594	Feed Cam Driving Worm Wheel Set Screw for 17797.....
453C	8596	Presser Bar Guide Bracket Set Screw for 17842.....
462C	8591	Shuttle Driver Set Screw for 2441.....
591F	8597	" Tension Regulating Screw for 15277
592E	8597	" Bobbin Case Latch Stop Screw for 15277.....
600C	8593	Tension Screw Stud for 16202.....
641C	8596	Thread Wiper Body Support Set Screw....
662D	8597	Shuttle Race Cap Screw for 18430.....
670E	8592	Knife Cam Lever Bracket Screw.....
690D	8595	Feed Across Regulator Hinge Stud Clamping Screw for 18469.....
691F	8597	Throat Plate Screw.....
810D	8590	Feed Regulator Post Guide Cap Screw for 18486.....
880E	8591	Arm Screw.....

## NUMERICAL LIST OF PARTS

No.	Plate	Name
898D	8598	Stop Cam Interlocking Rod Case Socket Joint Cap Screw for 55304.....
934J	8590	Feed Plate Carrier Bar Plate Screw for 18486.....
1004K	8601	Eye and Finger Guard Carrying Arm Hinge Screw (back) for 121613.....
1035C	8591	Oscillating Shaft Crank Slide Block Screw Stud for 15171.....
1057E	8595	Feed Across Connection Cap (lower) Screw for 55376.....
1057E	8595	Feed Across Connection Cap (upper) Screw for 55376.....
1177E	8595	Feed Regulator Bracket Screw.....
1177D	8592	Knife Cam Lever Hinge Screw Bushing Clamping Screw for 18470.....
1182E	8598	Trip Lever Spring Screw for 55304.....
1186C	8600	Bobbin Winder Base Screw for 41716.....
1186D	8598	Stop Cam Interlocking Rod Case Spring Bracket Screw for 18493.....
1191D	8595	Feed Regulator Thumb Screw.....
1192C	3594	" Cam Set Screw for 55430.....
1194D	8590	" Plate Carrier Bar Pivot Block Screw
1195E	8590	" " Screw Stud for 18486.....
1196C	8592	Needle Bar Thread Nipper Driving Lever Hinge Screw.....
1196C	8598	Trip Lever Hinge Screw for 55304.....
1198C	8597	Knife Screw for 55323.....
1200D	8596	Needle Bar Thread Nipper Lever Hinge Screw.....
1201C	8592	Presser Bar Lifting Lever Hinge Screw...
1204E	8598	Stop Cam Interlocking Rod Case Hinge Screw for 55304.....
1206C	8591	Stop Cam Screw for 68720.....
1207D	8596	Thread Wiper Body Hinge Screw.....
1208D	8597	Throat Plate Needle Hole Bushing Screw for 55327.....
1221F	8590	Feed Plate Carrier Bar Block Screw for 18486.....
1229F	8590	Arch Clamp Foot Spring Adjusting Screw for 55394.....
1254C	8598	Stop Cam Interlocking Rod Case Stop Stud Screw Bushing for 55304.....
1255D	8598	Belt Shifter Clamp Screw for 55418.....
1255J	8592	Knife Cam Lever Slide Screw for 39460...
1262C	8598	Starting Lever Hinge Screw for 55304....
1289D	8597	Shuttle Race Ring Spring Screw for 18430
1300D	8590	Cylinder Block Screw.....
1318D	8598	Stop Cam Interlocking Rod Stop Screw for 55285.....
1329D	8596	Needle Bar Thread Nipper Lever Spring Screw.....

## NUMERICAL LIST OF PARTS

No.	Plate	Name
1343E	8598	Stop Cam Interlocking Rod Case Bracket Screw.....
1382F	8592	Knife Bar Driving Lever Hinge Screw.....
1420E	8592	" " " " Lock Stud Stop Screw for 39297.....
1441C	8591	Feed Cam Driving Worm Set Screw for 18415.....
1442C	8591	Feed Cam Driving Worm Position Screw for 18415.....
1508E	8598	Stop Cam Interlocking Rod Case Stop Stud Screw Bushing Lock Nut for 55304....
1513J	8591	Oscillating Rock Shaft Hinge Pin Nut for 55453.....
1518E	8591	Crank Connecting Rod Hinge Screw Nut....
1518E	8596	Needle Bar Connecting Link Hinge Screw Nut.....
1519E	8591	Oscillating Shaft Crank Slide Block Screw Stud Nut for 18387.....
1520E	8591	Arm Shaft Bushing (back) Adjusting Screw Nut.....
1520E	8598	Stop Cam Interlocking Rod Case Spring Adjusting Screw Nut for 39344.....
1547J	8590	Arch Clamp Foot Spring Adjusting Screw Lock Nut for 55394.....
1560C	8593	Tension Regulating Thumb Nut for 16202..
1562J	8600	Bobbin Winder Tension Regulating Thumb Nut for 60770.....
1620J	8600	Bobbin Winder Frame Hinge Screw Nut for 41604.....
1651E	8592	Needle Bar Thread Nipper Rod Adjusting Stud Lock Nut.....
1653C	8594	Feed Cam Shaft Nut.....
1654C	8590	" Plate Nut for 55394.....
1654C	8592	Knife Cam Lever Roller and Screw Stud Nut for 1980.....
1655C	8595	Feed Regulator Roller and Screw Stud Nut for 1953.....
1662C	8598	Starting Lever Hinge Screw Nut for 55304
1676C	8595	Feed Across Regulator Ball Screw Stud Nut.....
1681C	8592	Knife Bar Driving Lever Hinge Screw Nut..
1698J	8601	Eye and Finger Guard Carrying Arm Hinge Screw (back) Nut for 121613.....
1698C	8597	Knife Holder Pinion Stud Bracket Screw Nut for 55329.....
1735J	8601	Eye and Finger Guard Carrying Arm Hinge Screw (front) Nut for 121613.....
1822	8591	Thread Take-up Lever Roller and Stud for 55283.....
1952	8595	Feed Across Regulator Roller and Stud for 18356.....

## NUMERICAL LIST OF PARTS

No.	Plate	Name
1953	8595	Feed Regulator Roller and Screw Stud with 1655C and 14017, for 39361.....
1980	8592	Knife Cam Lever Roller and Screw Stud with 1654C, for 39330.....
2022	8591	Pulley (tight) Pin.....
2049	8591	Oscillating Shaft Crank Pin.....
2049	8591	Shuttle Driver Pin.....
2058	8596	Presser Bar.....
2102	8593	Tension Disc for 56791.....
2103	8593	" Spring for 56791.....
2105	8593	" Thread Guard for 17725 and 68741
2107	8593	Face Plate Thread Guard for 17725 and 68742.....
2124	8593	Thread Take-up Spring for 56791.....
2127	8593	" " " Regulator Plate for 17725 and 68742.....
2441	8591	Shuttle Driver with two 462C.....
2455	8600	Bobbin Winder Tension Disc for 60770....
2523	8597	Shuttle Race Cap Steady Pin for 18430...
2973	8597	" Bobbin Case Latch Lever for 15141
2974	8597	" " " " Fulcrum Pin for 15141.....
2975	8597	Shuttle Bobbin Case Latch Spring for 15277.....
2996	8597	Shuttle Bobbin for 21561.....
3012	8591	Stop Cam Pin.....
3012	8591	Thread Take-up Cam Pin.....
4292	8591	Crank Connecting Rod with two 145E.....
4389	8591	Arm Dowel Pin.....
4448	8591	" Oil Tube for intermediate bearing...
4604	8597	Cylinder End Cover Bracket Rivet for 18427.....
4784	8591	Oscillating Rock Shaft Oil Pad for 55278
7071	8592	Knife Bar Connection Screw Washer.....
7298	8597	" Holder Pinion Dowel Pin for 17825..
8422	8600	Bobbin Winder Tension Thread Guide for 60770.....
8505	8590	Feed Plate Screw Stud Rivet for 16486...
8589	8595	" Regulator Bracket Dowel Pin.....
8589	8592	Knife Cam Lever Bracket Dowel Pin.....
9780	8600	Bobbin Winder Tension Bracket Position Stud for 60770.....
10875	8599	Wrench for 1518 and 1520 (Attachments and Accessories).....
11831	8599	Screw Driver (large) Attachments and Accessories.....
12424	8591	Oscillating Shaft Crank Slide Block Cap Screw Washer for 15171.....
14017	8595	Feed Regulator Roller and Screw Stud Nut Washer for 1953.....

## NUMERICAL LIST OF PARTS

No.	Plate	Name
14079	8590	Arch Clamp Frame Dowel Pin for 55394....
15072	8600	Bobbin Winder Bobbin Position Pin for 27538.....
15140	8597	Shuttle Bobbin Case Latch for 15141.....
15141	8597	" " " Hinge, Nos. 2973, 2974 and 15140, for 15277.....
15170	8591	Oscillating Shaft Crank Slide Block for 15171.....
15171	-----	Oscillating Shaft Crank Slide Block com- plete, for 18387, Nos. 226E, 1035C, 12424 and 15170.....
15277	8597	Shuttle Bobbin Case complete for 21561, Nos. 591F, 592E, 2975, 15141 and 15278.
15278	8597	Shuttle Tension Spring for 15277.....
*15404	-----	Trade Mark for 55405.....
15405	-----	" " Rivet for 55405.....
16202	-----	Tension Screw Stud 600C with 1560C, for 56791.....
16532	8598	Stop Cam Interlocking Rod Case Bracket Dowel Pin.....
17702	8591	Arm Shaft.....
17703	8591	" " Bushing (back).....
17724	8593	Face Plate for 17725.....
17725	8593	Face Plate complete, Nos. 448C, 2105, 2107, 2127, 17724, 56791 and two 233J.....
17738	8595	Feed Across Regulator Ball Screw Stud Nut Washer.....
17741	8591	Belt Cover Bracket Stud for 39290.....
17744	8595	Feed Regulator Hinge Stud.....
17797	8594	" Cam Driving Worm Wheel with 453C...
17805	8590	" Plate Carrier Bar Pivot Block.....
17806	8590	" " Position Stud for 18486.....
17822	8592	Knife Bar Rack Rivet for 18370.....
17825	8597	" Holder with 17830 and two 7298, for 55323.....
17827	8597	Knife Holder Pinion Stud for 17828.....
17828	8597	" " " " Bracket with 17827, for 55329.....
17829	8597	Knife Thread Holder for 55323.....
17830	8597	" " " Position Pin for 17825
17831	8596	Needle Bar with 237F.....
17834	8596	Needle Bar Thread Nipper Lever with 17835.....
17835	8596	Needle Bar Thread Nipper Lever Bushing for 17834.....
17837	8592	Needle Bar Thread Nipper Rod.....
17838	8592	" " " " " Adjusting Stud.....
17839	8592	Needle Bar Thread Nipper Rod Arm with 196F.....

## NUMERICAL LIST OF PARTS

No.	Plate	Name
17840	8592	Needle Bar Thread Nipper Rod Support....
17841	8596	Presser Bar Collar with two 196F.....
17842	8596	" " Guide Bracket with 453C.....
17843	8592	" " Lifting Lever.....
17844	8592	" " " " Bracket for 55405.....
17845	8592	Presser Bar Lifting Lever Rod.....
17846	8592	" " " " " Chain.....
17853	8598	Starting Lever for 55304.....
17854	8591	Stop Cam for 68720.....
17855	8598	" " Interlocking Rod for 55285.....
17859	8598	" " " " Case Socket Joint for 55304.....
17861	8598	Stop Cam Interlocking Rod Case Stop Stud for 55304.....
17862	8598	Stop Cam Interlocking Rod Case Stop Stud Spring for 55304.....
17863	8598	Stop Cam Interlocking Rod Spring for 55285.....
17864	8598	Stop Cam Interlocking Rod Stop for 55285
17865	8596	Thread Wiper Body.....
17866	8596	" " " Hook for 17958.....
17867	8596	" " " Support.....
17868	8596	" " " Wire.....
17869	8596	" " " " Screw Washer....
17872	8598	Trip Lever for 55304.....
17873	8598	" " Spring for 55304.....
17874	8594	Tripping Point for 55430.....
17876	8602	Starting Lever and Foot Lifter Treadle with 443C, for 17884.....
17877	8602	Starting Lever and Foot Lifter Treadle Pitman Rod (lower) for 17880.....
17878	8602	Starting Lever and Foot Lifter Treadle Pitman Rod (upper) for 17880.....
17879	8602	Starting Lever and Foot Lifter Treadle Pitman Rod Clamp with two 161E, for 17880.....
17880	8602	Starting Lever and Foot Lifter Treadle Pitman complete for 17885, Nos. 17877 to 17879.....
17881	8602	Starting Lever and Foot Lifter Treadle Shaft for 17884.....
17882	8602	Starting Lever and Foot Lifter Treadle Spring for 17884.....
17883	8602	Starting Lever and Foot Lifter Treadle Stand for 17884.....
17884	8602	Starting Lever and Foot Lifter Treadle complete for 17885, Nos. 17876, 17881 to 17883 and two wood screws 1 in. No. 10.....

## NUMERICAL LIST OF PARTS

No.	Plate	Name
17885	-----	Starting Lever and Foot Lifter Treadle and Pitman complete, Nos. 17880 and 17884.....
17886	8598	Starting Lever Pitman.....
17892	8602	Table Belt Guide Bracket with two 153E, for 39221.....
17893	8602	Table Belt Guide Pulley for 39221.....
17896	8602	" " " " Shaft Plug for 39219 and 39220.....
17905	8599	Wrench for 1654 and 1676 (Attachments and Accessories).....
17915	8592	Knife Bar Connection Slide Block for 17917.....
17916	8592	Knife Bar Connection Slide Block Stud for 17917.....
17917	-----	Knife Bar Connection Slide Block 17915 with 17916, for 18372.....
17919	8592	Knife Bar Driving Lever Lock Stud Spring for 39297.....
17958	8596	Arch Clamp Foot Lifter with 17866.....
18356	8595	Feed Across Regulator with 1952.....
18357	8595	" " " Hinge Stud.....
18358	8591	" " Shaft.....
18359	8591	" " Collar with two 200F..
18360	8591	" " Crank (back) with 160E and 200C.....
18362	8591	Feed Across Shaft Crank (front) with 160E and 18363.....
18363	8591	Feed Across Shaft Crank (front) Stud for 18362.....
18364	8590	Feed Across Shaft Crank (front) Stud Slide Block.....
18366	8590	Feed Plate Carrier Bar Block for 18486..
18367	8590	" " " " Cover for 55394.....
18370	8592	Knife Bar with 18373 and two 17822.....
18371	8592	" " Cap.....
18372	8592	" " Connection with 17917.....
18373	8592	" " Rack for 18370.....
18379	8597	Cylinder End Cover Spring.....
18384	8594	Feed Cam Driving Worm Wheel Pin.....
18384	8594	" " Pin.....
18385	8591	Oscillating Shaft.....
18386	8591	" " Crank for 18387.....
18387	-----	Oscillating Shaft Crank complete, Nos. 237F, 1519E, 15171 and 18386.....
18388	8590	Cylinder Block.....
18390	8590	Feed Plate Carrier Bar Plate for 18486..
18392	8591	Thread Take-up Cam with 446C.....
18411	8597	Shuttle Race Body for 18430.....

## NUMERICAL LIST OF PARTS

No.	Plate	Name
18415	8591	Feed Cam Driving Worm with 1441C and 1442C.....
18419	8599	Cylinder Base Plate with two 453C, for 18424.....
18420	8599	Cylinder Base Plate Hinge Connection for 18424.....
18423	8599	Cylinder Base Plate Hinge Connection Hinge Pin for 18424.....
18424	8599	Cylinder Base Plate (hinged) complete, Nos.18419, two each 18420,18423, three wood screws 1 1/4 in. No. 12 and four 134D (Attachments and Accessories).....
18427	8597	Cylinder End Cover with 18428, 18444 and three 4604.....
18428	8597	Cylinder End Cover Bracket for 18427....
18429	8597	Shuttle Race Ring for 18430.....
18430	8597	Shuttle Race (flexible) complete, Nos. 662D,2523,18411,18429,21623 and two each 1289D and 55439.....
18443	8598	Stop Cam Interlocking Rod Case Wearing Block for 55389.....
18444	8597	Cylinder End Cover Bracket Hinge Pin for 18427.....
18469	8595	Feed Regulator Bracket with 690D and two 160D.....
18470	8592	Knife Cam Lever Bracket with 1177D.....
18471	8592	" " " Hinge Screw Bushing for 18472.....
18472	-----	Knife Cam Lever Hinge Screw Bushing 18471 with 50029C.....
18477	8590	Arch Clamp Foot Plate for 55394.....
18486	8590	Feed Plate Carrier Bar with 810D, 934J, 1195E,1221F,8505,18366,18390,18488, 18489, two 55300 and four 17806, for 55394.....
18488	8590	Feed Regulator Post for 18486.....
18489	8590	" " " Guide for 18486.....
18493	8598	Stop Cam Interlocking Rod Case Bracket 55304 with 39343,39344 and two 1186D
18498	8591	Belt Cover.....
19793	8592	Knife Cam Lever Steady Pin for 39329....
21561	8597	Shuttle, 1 11/16 in. diam., Nos. 2996, 15277 and 21562.....
21562	8597	Shuttle Body for 21561.....
21623	8597	" Race Cap for 18430.....
21629	8596	Needle Bar Connecting Stud with 155C,for 63756.....
22003	8599	Wrench for 1651 (Attachments and Accessories).....

## NUMERICAL LIST OF PARTS

No.	Plate	Name
26026	8599	Screw Driver (machine) Attachments and Accessories.....
26485	8599	Screw Driver (shuttle tension) Attachments and Accessories.....
27321	8600	Bobbin Winder Frame for 41604.....
27328	8600	" " Stop Latch for 41604.....
27538	8600	" " Spindle with 15072, 27850 and 41828, for 41604.....
27662	8599	Wrench for 1508 (Attachments and Accessories).....
27739	22248	Thread Unwinder Thread Cone (wood) for large cones for 225258.....
27850	8600	Bobbin Winder Spindle Collar for 27538..
27916	8600	" " Brake (leather) for 41598.
28084	8600	" " Rivet for 41598.....
32675	8596	Presser Bar Spring.....
39218	8602	Table Belt Guide with two 168E, for 39221.....
39219	8602	Table Belt Guide Pulley Shaft (long) with 17896 and 63973, for 39221....
39220	8602	Table Belt Guide Pulley Shaft (short) with 17896 and 63974, for 39221....
39221	8602	Table Belt Guide complete, Nos. 17892, 39219, 39220, two each 17893, 39218 and three wood screws 1 1/4 in. No. 12..
39222	8598	Belt Shifter for 55285.....
39235	8592	Knife Cam Lever Body for 39409.....
39276	8596	Needle Bar Thread Nipper Lever Spring..
39290	8591	Belt Cover Bracket with 184E and 17741..
39297	8592	Knife Bar Driving Lever with 190J, 1420E, 17919 and 39298.....
39298	8592	Knife Bar Driving Lever Lock Stud for 39297.....
39313	8595	Feed Regulator Swivel.....
39329	-----	Knife Cam Lever complete, Nos. 19793 and 39409.....
39330	8592	Knife Cam Lever Slide with 1980, for 39460.....
39331	8592	Knife Cam Lever Slide Screw Washer for 39460.....
39343	8598	Stop Cam Interlocking Rod Case Spring (flat) for 18493.....
39344	8598	Stop Cam Interlocking Rod Case Spring Bracket with 1520E and 50682C, for 18493.....
39346	8598	Stop Cam Interlocking Rod Case Bracket for 55304.....
39350	8592	Needle Bar Thread Nipper Driving Lever (adjustable) with 39351 and two 335J
39351	8592	Needle Bar Thread Nipper Driving Lever Extension for 39350.....

## NUMERICAL LIST OF PARTS

No.	Plate	Name
39352	8592	Needle Bar Thread Nipper Driving Lever Spring.....
39361	8595	Feed Regulator with 1953.....
39409	-----	Knife Cam Lever Body 39235 with 39460, for 39329.....
39460	-----	Knife Cam Lever Slide 39330 with 1255J and 39331, for 39409.....
41400	8599	Machine Rest Pin (wood) Attachments and Accessories.....
41598	8600	Bobbin Winder Base with 27916 and two 28084, for 41604.....
41600	8600	Bobbin Winder Pulley with 155C, for 41604.....
41604	-----	Bobbin Winder, Nos. 35D, 1620J, 27321, 27328, 27538, 41598, 41600, 41825 and 50356D, for 41716.....
41716	8600	Bobbin Winder (swinging automatic, left hand) complete for 126391, Nos. 161J, 41604, 60770 and two 1186C.....
41825	8600	Bobbin Winder Frame Spring for 41604....
41828	8600	Bobbin Winder Spindle Collar Pin for 27538.....
43808	8600	Bobbin Winder Tension Spring for 60770..
50018F	8597	Knife Holder Pinion Stud Bracket Screw for 55329.....
50029C	8592	Knife Cam Lever Hinge Screw for 18472..
50117J	8597	" (stationary) Screw for 55329.....
50165J	8601	Eye and Finger Guard Frame Screw for 121613.....
50222K	8601	Eye and Finger Guard Carrying Arm Hinge Screw (front) for 121613.....
50333C	8591	Arm Shaft Bushing (back) Adjusting Screw
50356D	8600	Bobbin Winder Frame Hinge Screw for 41604.....
50435K	8601	Eye and Finger Guard Depressing Screw for 121626.....
50435K	8601	Eye and Finger Guard Guiding Rod Hinge Screw for 121613.....
50598C	8595	Feed Across Regulator Ball Screw Stud for 55378.....
50682C	8598	Stop Cam Interlocking Rod Case Spring Adjusting Screw for 39344.....
51387R	8591	Pulley (loose) Cap Screw for 68717.....
55278	8591	Oscillating Rock Shaft with 4784 and 55453.....
55283	8591	Thread Take-up Lever with 79C and 1822..
55285	-----	Stop Cam Interlocking Rod Case 55418 with 1318D, 17855, 17863, 17864, 39222 and 68739, for 55304.....
55300	8590	Feed Plate Carrier Bar Block Steady Pin for 18486.....

## NUMERICAL LIST OF PARTS

No.	Plate	Name
55304	-----	Stop Cam Interlocking Rod Case Bracket complete for 18493, Nos. 1182E, 1196C, 1204E, 1254C, 1262C, 1508E, 1662C, 17853, 17859, 17861, 17862, 17872, 17873, 39346, 55285 and two 898D.....
55321	8597	Knife (stationary) for 55329.....
55323	-----	" Holder 17825 with 1198C, 17829, 55442 and 55456, for 55329.....
55324	8597	Throat Plate for 55327.....
55325	8597	" " Needle Hole Bushing (large needle hole) for 55327.....
55327	-----	Throat Plate 55324 with 55325 and two 1208D, for 55329.....
55329	8597	Throat Plate complete, Nos. 1698C, 17828, 50018F, 50117J, 55321, 55323 and 55327.
55376	8595	Feed Across Connection with four 1057E, for 55378.....
55378	-----	Feed Across Connection 55376 with 50598C and 55381.....
55381	8595	Feed Across Shaft Crank (back) Ball Stud for 55378.....
55388	8598	Stop Cam Interlocking Rod Case for 55389
55389	-----	" " " " " 55388 with 18443 and two 193J, for 55418.....
55390	8590	Arch Clamp Foot (left) for 55391.....
55391	-----	" " " " 55390 with 219K and 63731, for 55394.....
55392	8590	Arch Clamp Foot (right) for 55393.....
55393	-----	" " " " 55392 with 219K and 63732, for 55394.....
55394	8590	Arch Clamp complete, Nos. 1654C, 18367, 18477, 18486, 55391, 55393, 55396, 63734, two each 181D, 1229F, 1547J, 14079, 63733 and four 190J.....
55396	8590	Feed Plate for 55394.....
*55405	-----	Arm with 15404, 17844 and two each 164E and 15405.....
*55407	-----	Cylinder.....
55418	-----	Stop Cam Interlocking Rod Case 55389 with 63976 and two 1255D, for 55285.
55430	8594	Feed Cam with two each 1192C, 17874 and four 190J.....
55439	8597	Shuttle Race Ring Spring for 18430.....
55442	8597	Knife (needle thread) for 55323.....
55452	8591	Oscillating Rock Shaft Hinge Pin for 55453.....
55453	-----	Oscillating Rock Shaft Hinge Pin 55452 with 1513J, for 55278.....
55456	8597	Knife (shuttle thread) for 55323.....
56791	8593	Tension complete for 17725 and 68742, Nos. 2103, 2124, 16202 and two 2102.

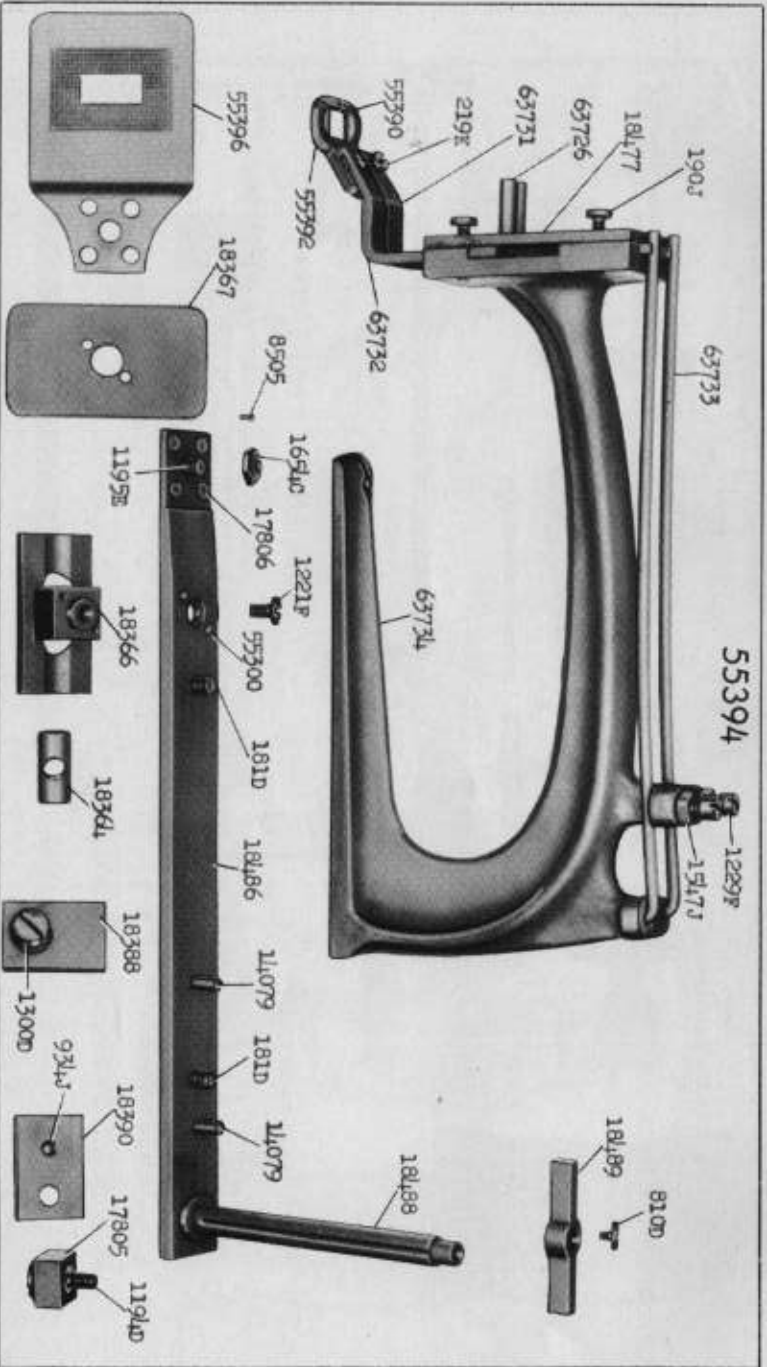
## NUMERICAL LIST OF PARTS

No.	Plate	Name
60769	8600	Bobbin Winder Tension Bracket for 60770.
60770	8600	Bobbin Winder Tension Bracket complete for 41716, Nos. 419E, 1562J, 8422, 9780, 43808, 60769 and two 2455.....
62155	8594	Feed Cam Shaft.....
63726	8590	Arch Clamp Foot Lifting Stud for 63731 and 63732.....
63731	8590	Arch Clamp Foot Shank (left) with 63726, for 55391.....
63732	8590	Arch Clamp Foot Shank (right) with 63726, for 55393.....
63733	8590	Arch Clamp Foot Spring for 55394.....
63734	8590	" " Frame for 55394.....
63756	8596	Needle Bar Connecting Link with 21629...
63973	8602	Table Belt Guide Pulley Shaft (long) Wick (braided cotton) for 39219.....
63974	8602	Table Belt Guide Pulley Shaft (short) Wick (braided cotton) for 39220.....
63976	8598	Belt Shifter Clamp for 55418.....
68712	8591	Pulley (loose) 2 3/4 in. diam. with 200584D, for 68713.....
68713	-----	Pulley (loose) 68712 with 68714, for 68717.....
68714	8591	Pulley (loose) Ball Bearing for 68713...
68715	8591	" " Bushing for 68717.....
68716	8591	" (tight) 2 7/8 in. diam. for 68720
68717	-----	Pulleys (ball bearing) complete, Nos. 51387R, 68713, 68715 and 68720.....
68720	-----	Pulley (tight) 68716 with 1206C and 17854, for 68717.....
68739	8598	Stop Cam Interlocking Rod Stop Screw Washer for 55285.....
68740	-----	Eye and Finger Guard Face Plate for 68741.....
68741	8601	Eye and Finger Guard Face Plate 68740 with 2105, for 68742.....
68742	-----	Eye and Finger Guard Face Plate complete for 121626, Nos. 448C, 2107, 2127, 56791, 68741 and two 233J.....
120346	8599	Oiler (copper plated) with 120347 (Attachments and Accessories).....
120347	8599	Oiler Spout, 8 1/2 in. long for 120346..
121603	8601	Eye and Finger Guard (glass) for 121608.
121604	8601	" " " " Carrying Arm for 121613.....
121605	8601	Eye and Finger Guard Carrying Arm Spring for 121613.....
121606	8601	Eye and Finger Guard Depressing Screw Holder for 121626.....
121607	8601	Eye and Finger Guard Frame for 121608...



## NUMERICAL LIST OF PARTS

No.	Plate	Name
121608	-----	Eye and Finger Guard Frame 121607 with 121603, for 121613.....
121609	8601	Eye and Finger Guard Guiding Rod for 121613.....
121611	8601	Eye and Finger Guard Holder for 121613..
121612	8601	" " " " Supporting Bracket for 121613.....
121613	-----	Eye and Finger Guard complete for 121626, Nos. 1004K, 1698J, 1735J, 50222K, 50435K, 121604, 121605, 121608, 121609, 121611, 121612 and two 50165J.
121626	8601	Eye and Finger Guard with Face Plate complete, Nos. 50435K, 68742, 121606, 121613, 140061J and two 191J.....
124674	8591	Arm Side Cover.....
126391	8600	Bobbin Winder Bracket for 41716.....
140061J	8601	Eye and Finger Guard Depressing Screw Holder Screw for 121626.....
150203	22248	Thread Unwinder Spool Rest Cushion (felt) for 225258.....
200383C	22248	Thread Unwinder Spool Rest Rod Set Screw for 202490.....
200584D	8591	Pulley (loose) Oil Plug Screw for 68712.
201018C	22248	Thread Unwinder Spool Rest Set Screw for 225257.....
201696J	22248	Thread Unwinder Thread Guide Lock Nut for 225258.....
202490	22248	Thread Unwinder Spool Stand with 200383C, for 225258.....
225257	22248	Thread Unwinder Spool Rest with 201018C, for 225258.....
225258	22248	Thread Unwinder complete for two spools or two large cones of thread, Nos. 201696J, 202490, 225257, 225324, 225326, 225388, two each 150203, 225391 and three wood screws 7/8 in. No. 12 F.H.....
225322	22248	Thread Unwinder Thread Guide Rod Washer for 225324.....
225324	22248	Thread Unwinder Thread Guide Rod with 208E and 225322, for 225258.....
225326	22248	Thread Unwinder Thread Guide Position Cup for 225258.....
225388	22248	Thread Unwinder Spool Rest Rod for 225258.....
225390	22248	Thread Unwinder Thread Cone Holder for inverted cones for 225258.....
225391	22248	Thread Unwinder Thread Guide for 225258.



55394

8590 - 1/2

190J

18L77

63726

63731

219X

55390

55392

63733

63732

18367

55396

8505

16540

1221P

17806

55300

1195E

18366



18364



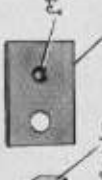
18388



1300D

924L

18390



17805



1194D

63734

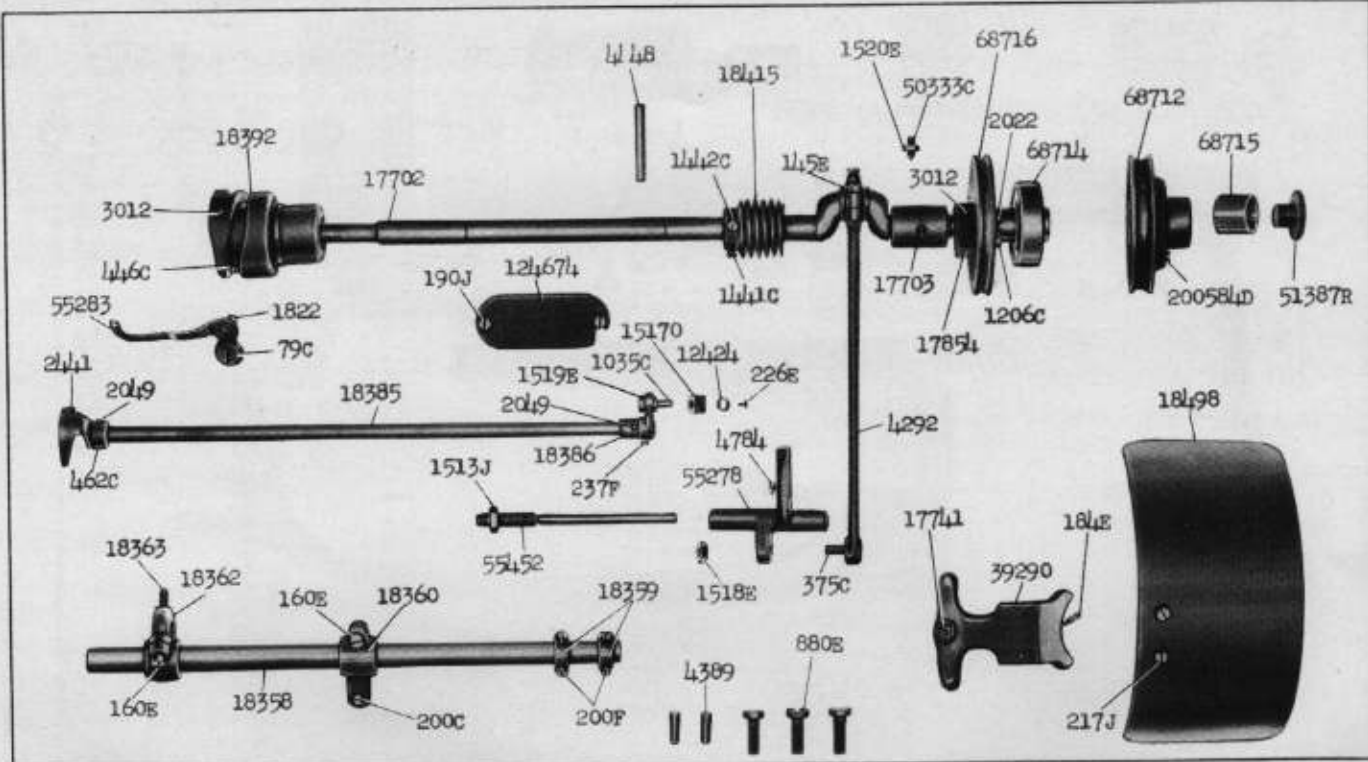
1229F

1517J

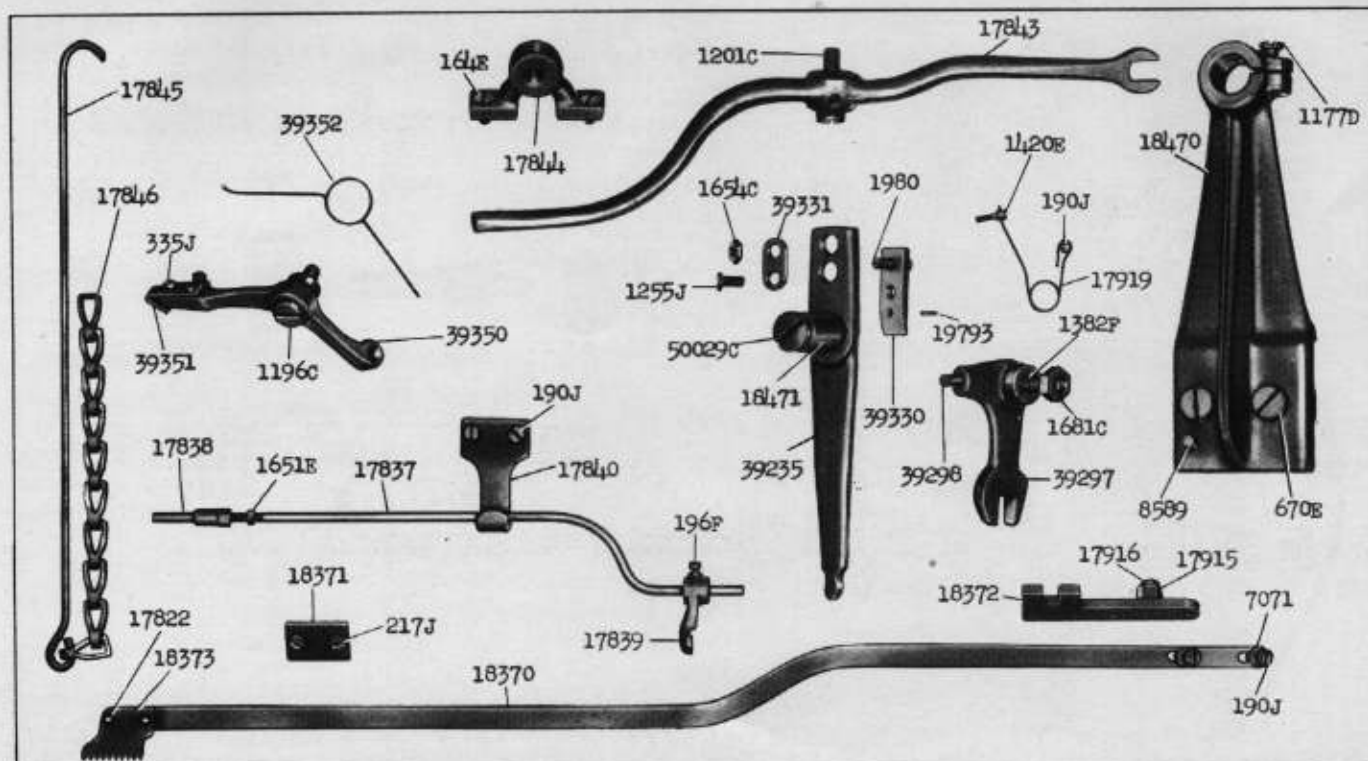
18189

810D

18488

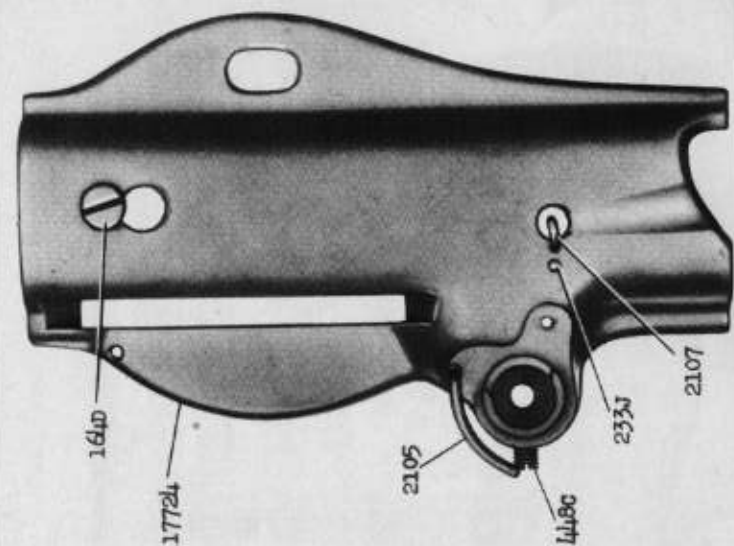


8591 - 1/4



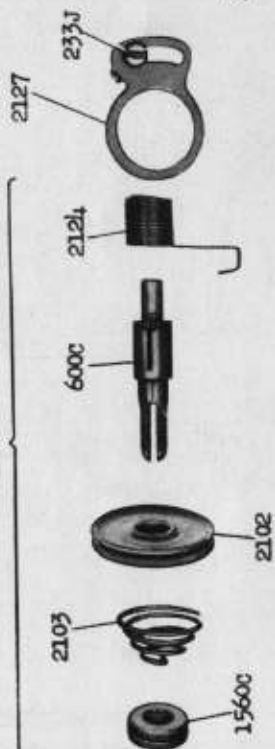
8592 - 1/3

8593 - 2/3

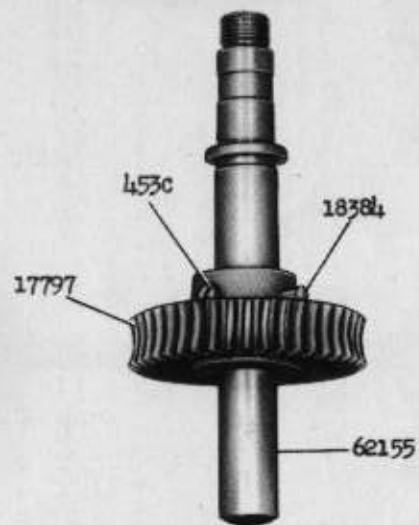
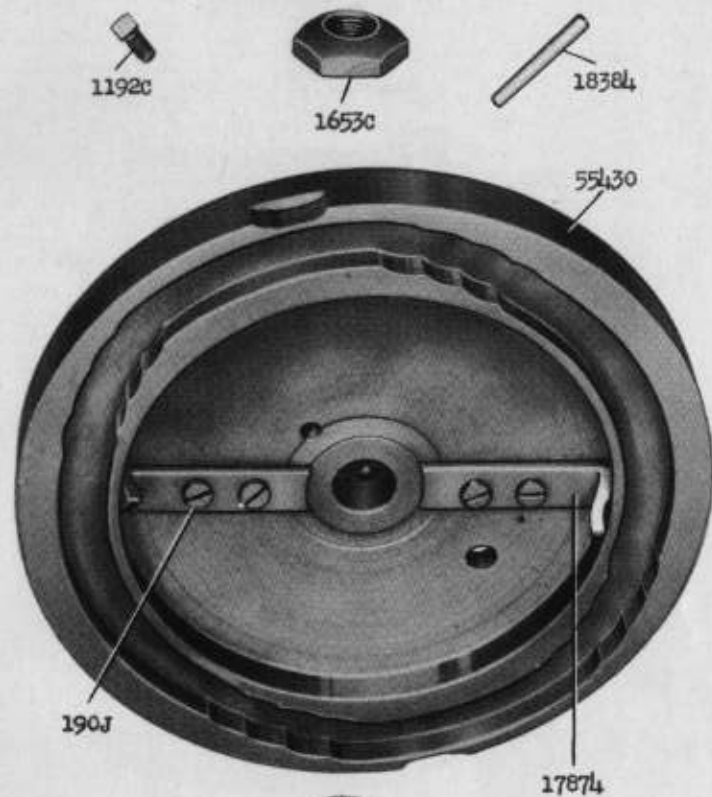


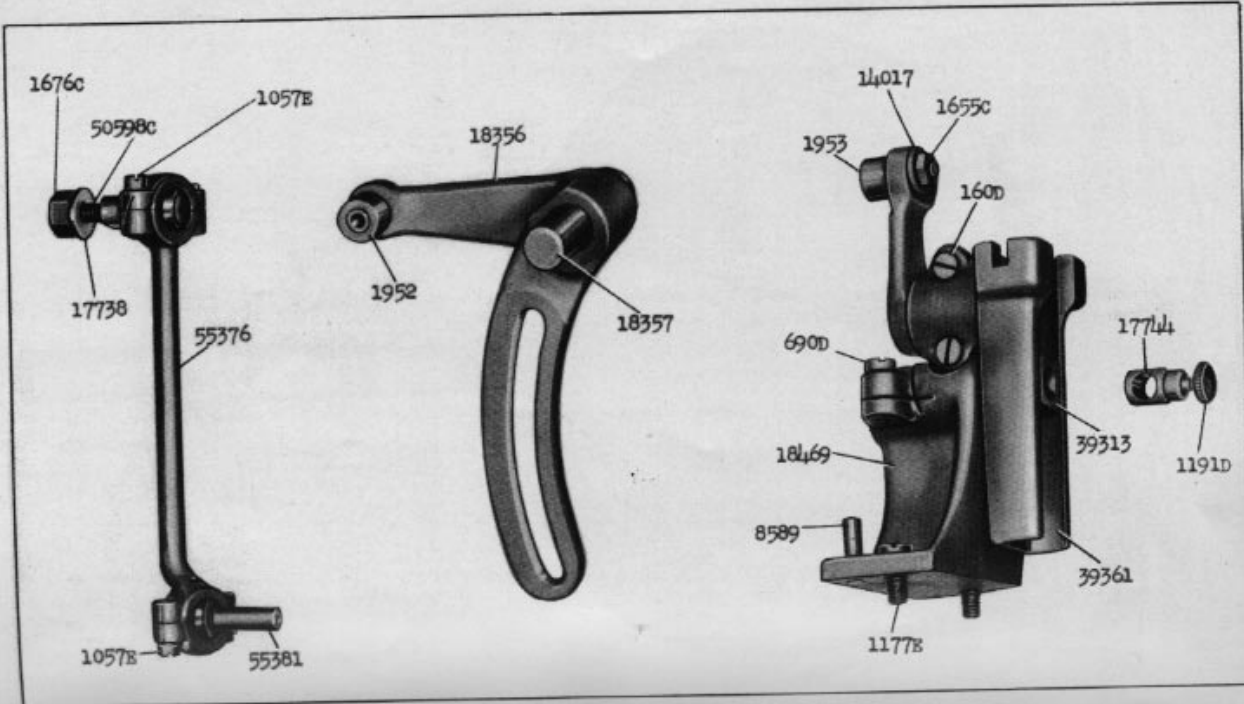
17725

56791

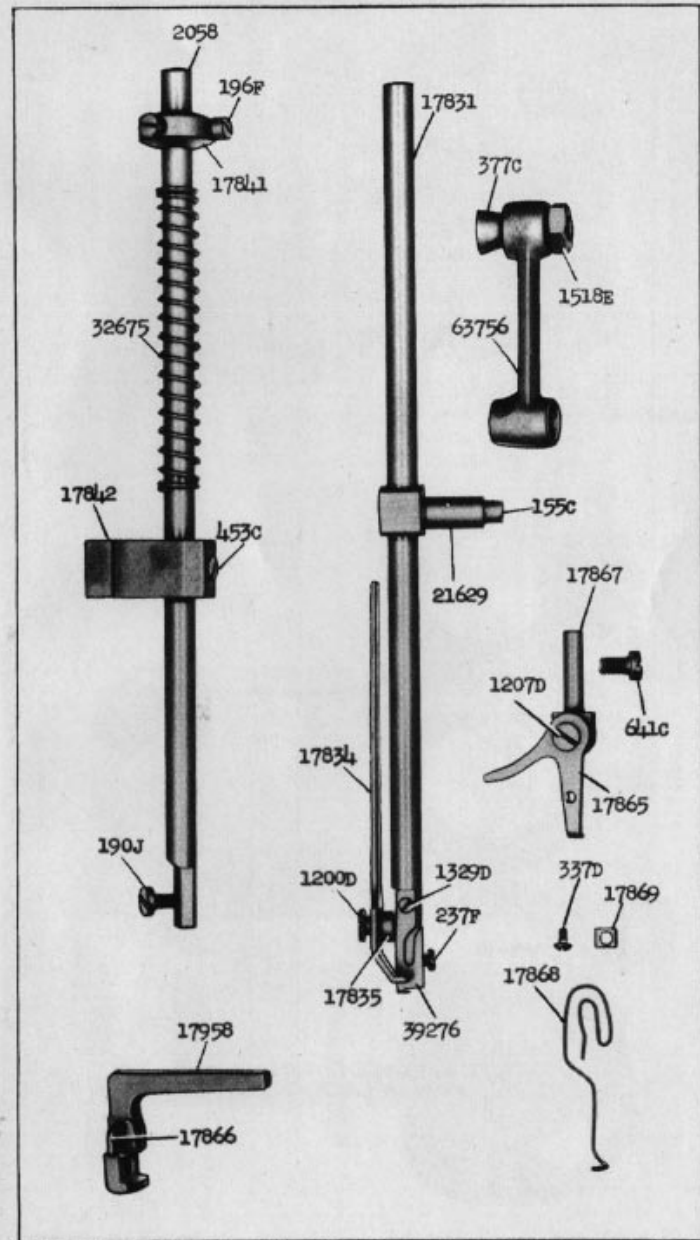


8594 - 1/2

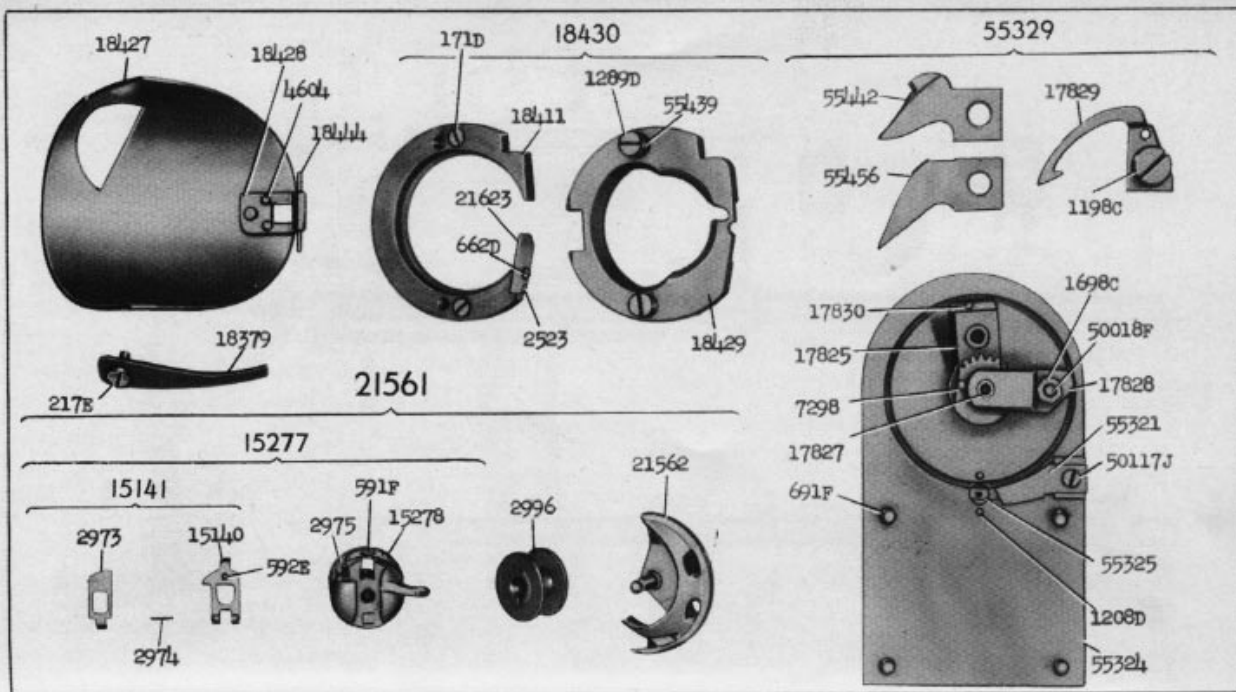




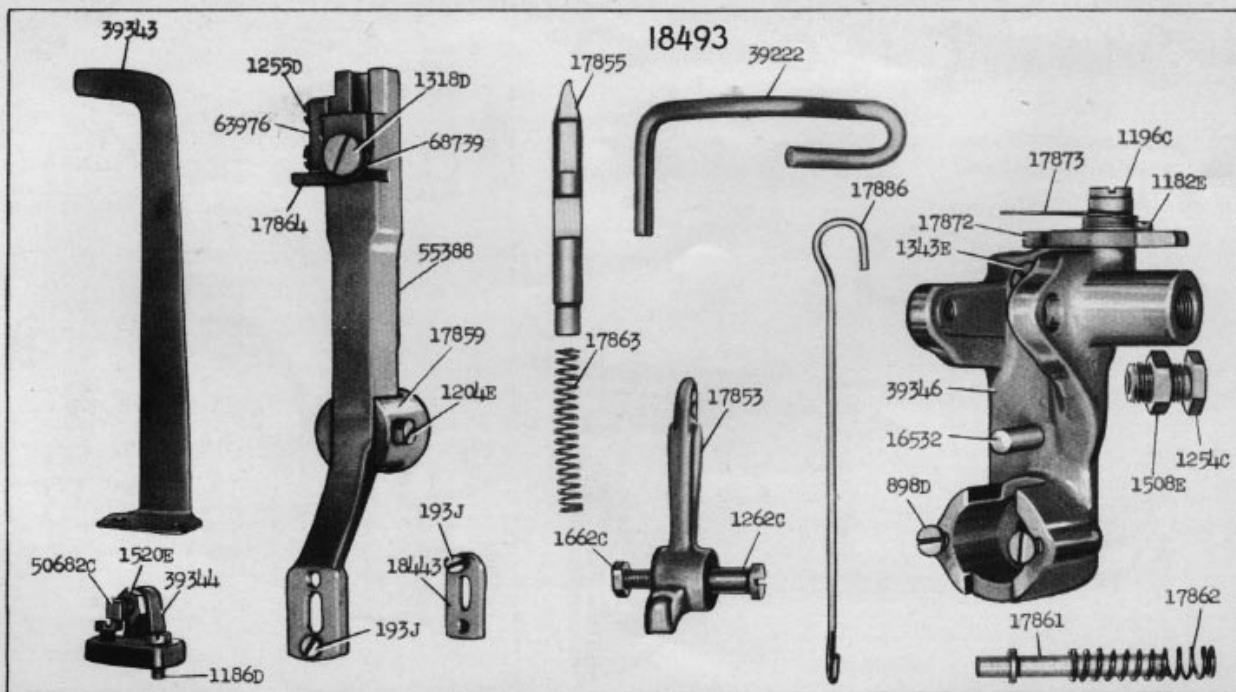
8595 - 2/3





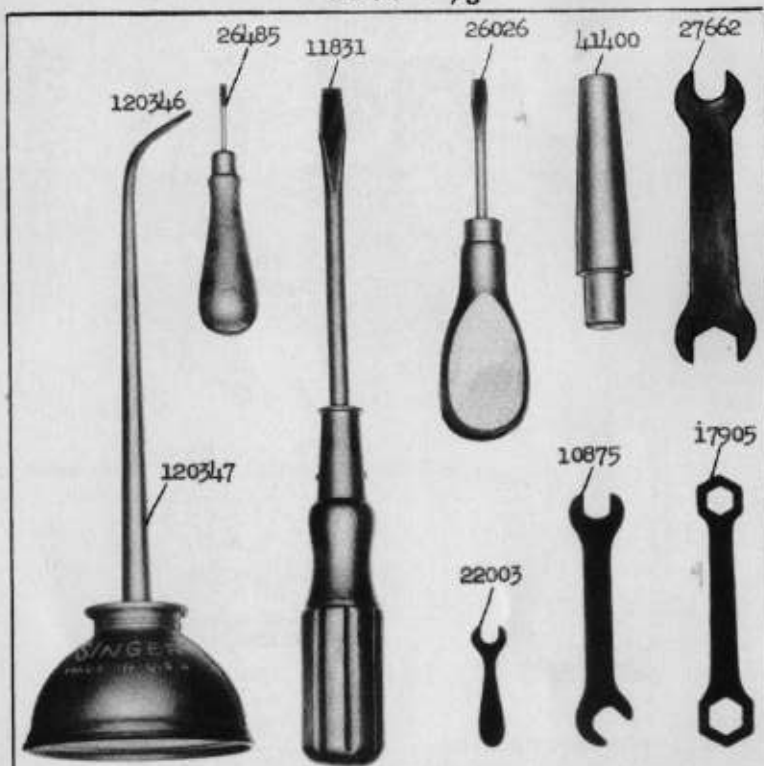


8597 - 1/2

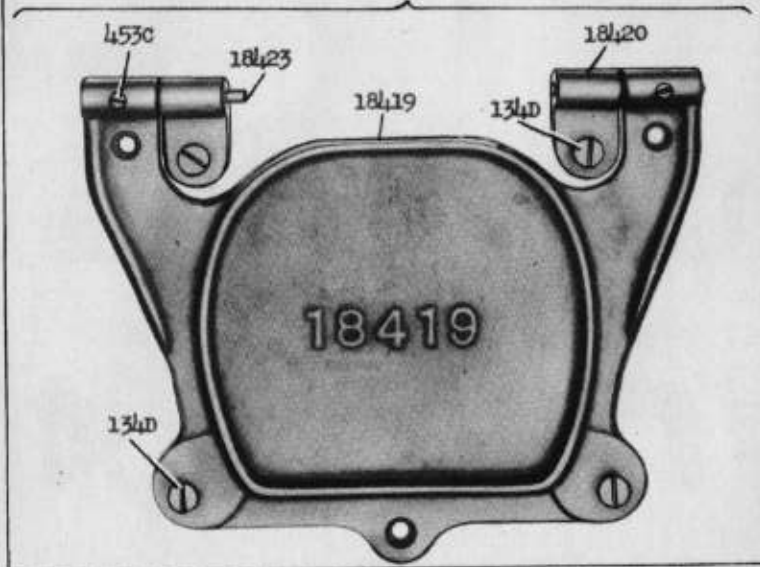


8598 - 2/3

8599 - 1/3

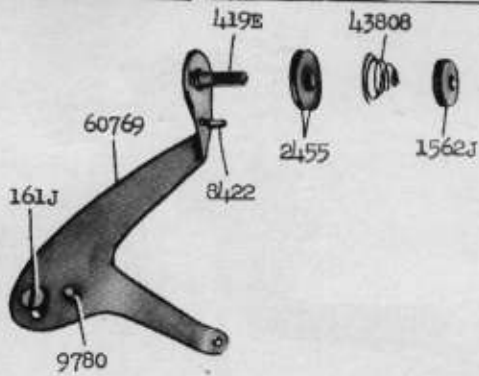


18424

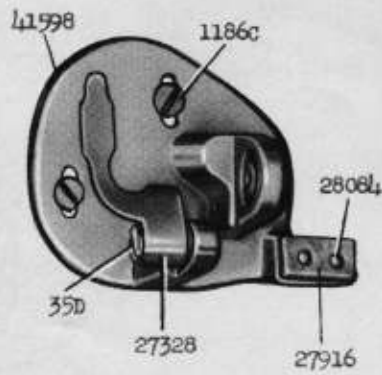
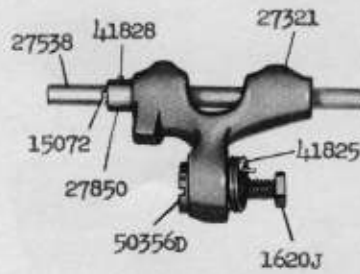




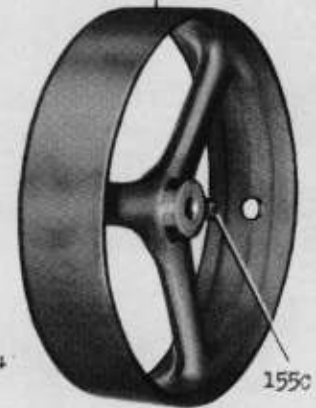
60770



41716

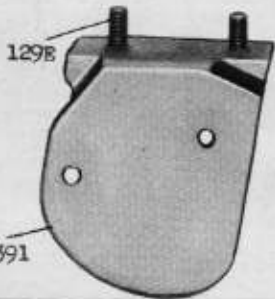


41600



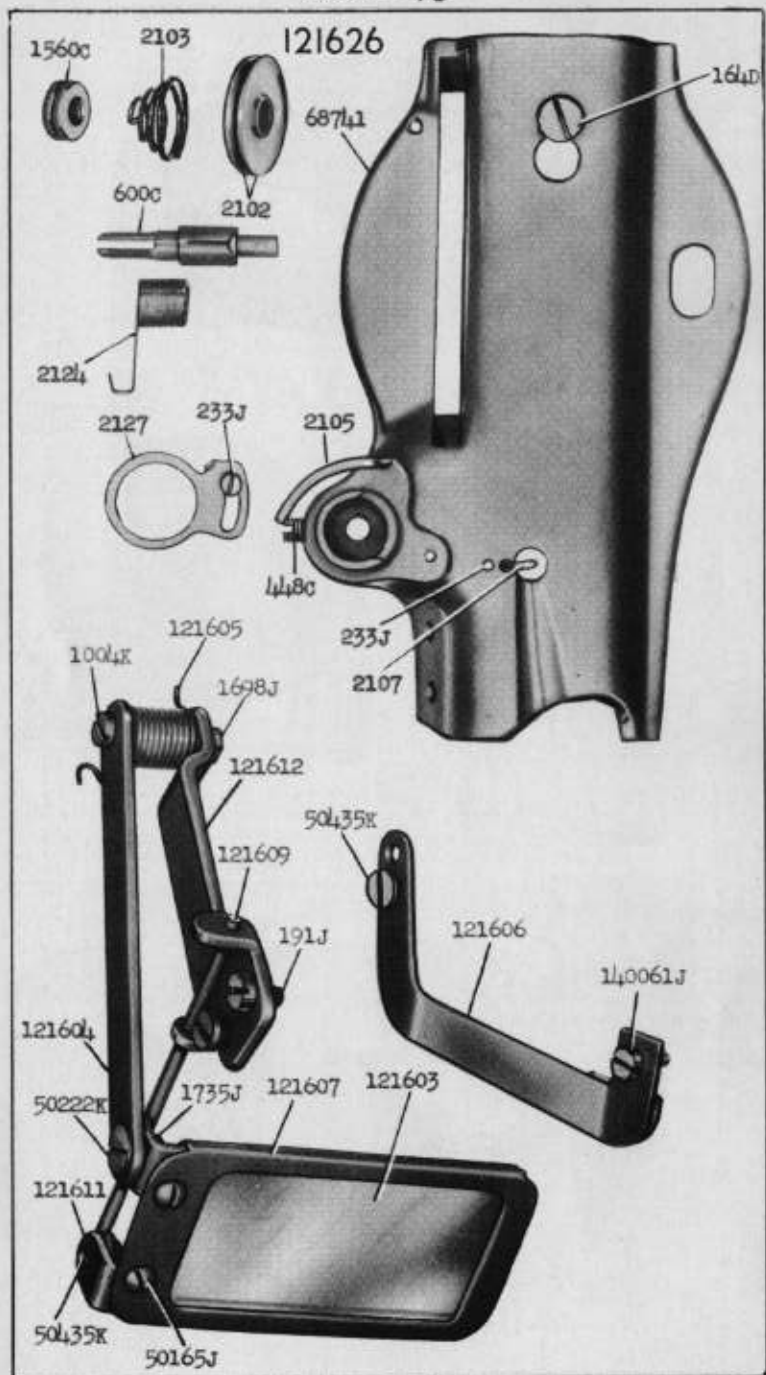
129E

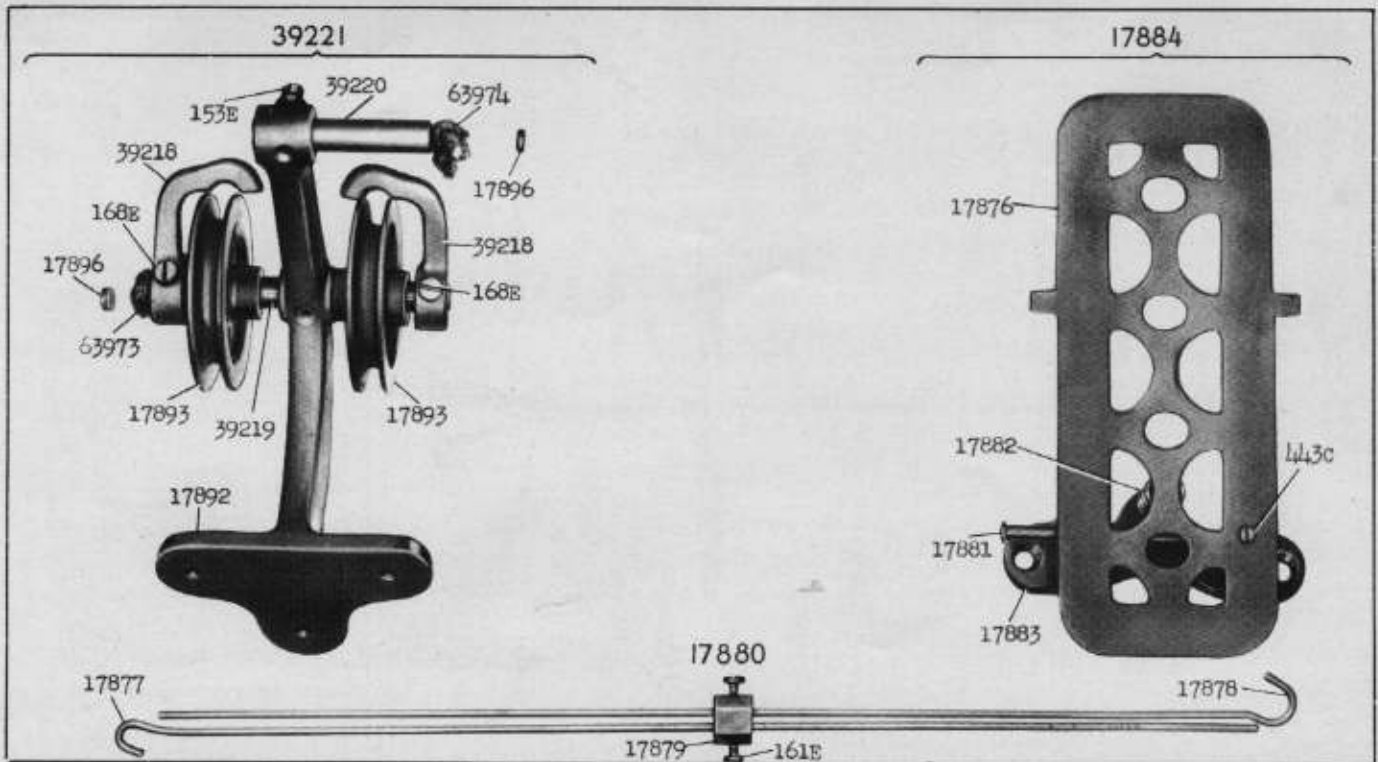
126391



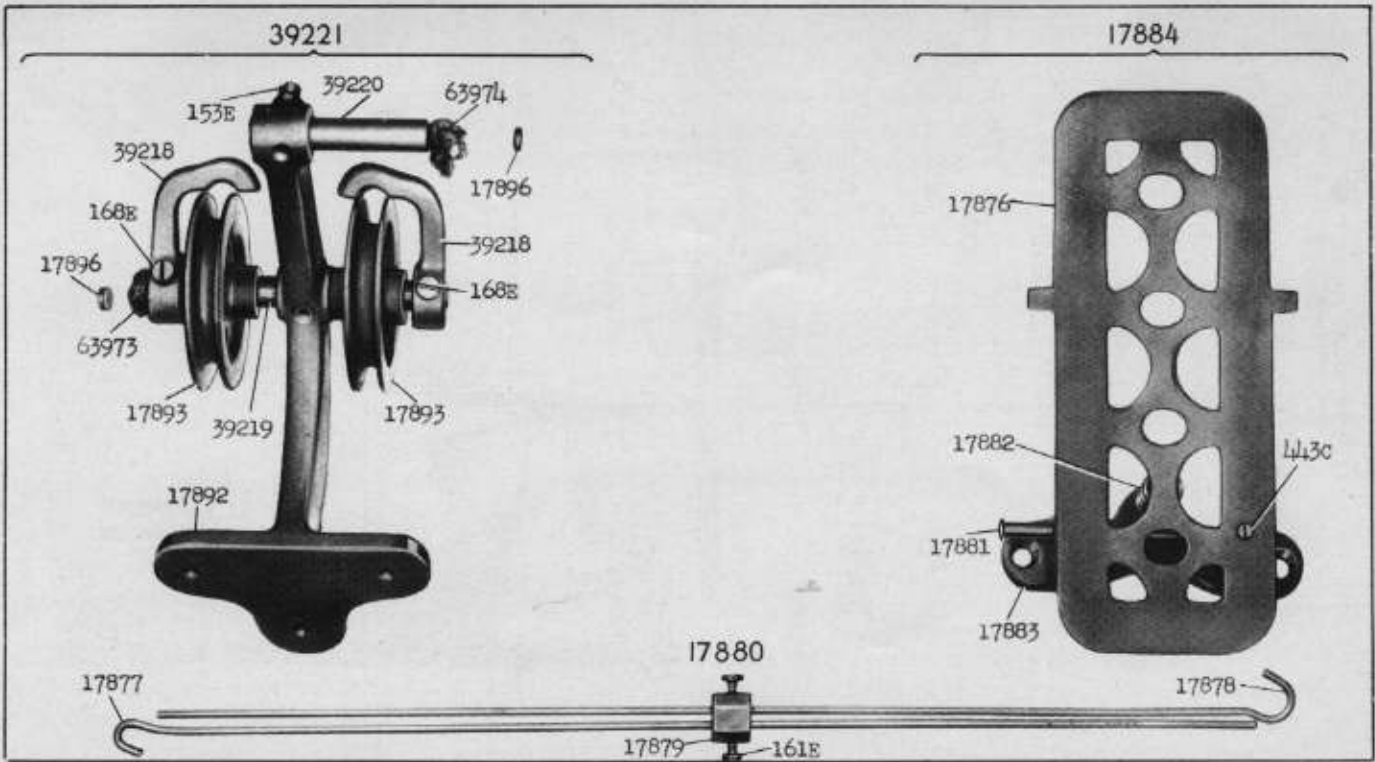
8600 - 1/2

8601 - 2/3





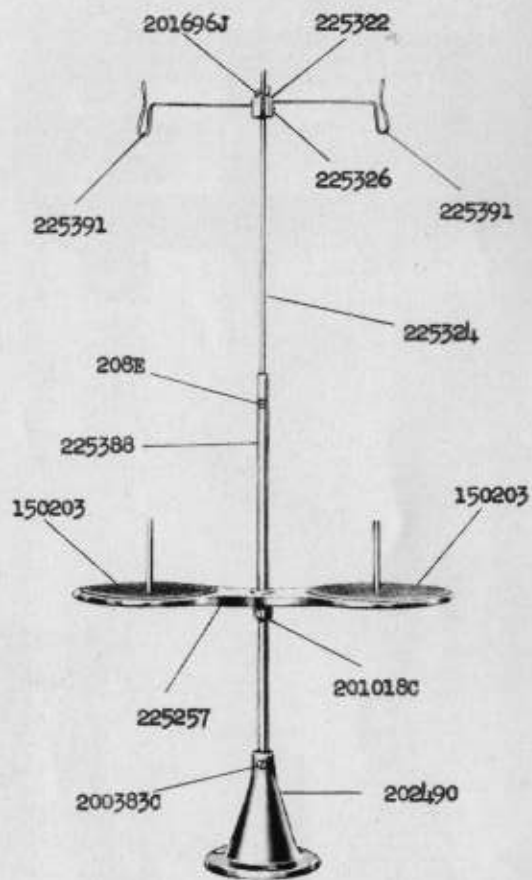
8602 - 1/3



8602 - 1/3

22248 - 1/6

225258



27739



225390

