

**SINGER**  
108W4

# PRICE LIST

OF

# PARTS



## MACHINE

## No. 108w4

THE SINGER MANUFACTURING COMPANY

### INDEX

---

	Page
ACCESSORIES.....	14
BOBBIN WINDER.....	14
KNEE LIFTER.....	15
MACHINE No. 108w4.....	7
NUMERICAL LIST OF PARTS.....	19
TAPE HOLDER.....	16
UNDER DRIVER.....	17

# Instructions for Ordering

In ordering from this list, use **ONLY** the **PART** number in the **FIRST** column.

The number stamped on a Sewing Machine Part is the number of the Single Part only, except when the part includes Set Screws, Clamping Screws, Studs and Rollers Spun on, Small Wires riveted, or Parts soldered together, etc., which it is necessary to furnish in combination.

Every combination of parts sent out has its specific number which, although not stamped on Parts (except in above cases) must be used when ordering the combination.

Each number always indicates the **SAME PART** in whatever list it appears, or for whatever Machine.

The letters after some of the numbers indicate the style of finish only, as follows:

- A. Hardened, Polished and Plated.
- B. Polished and Plated.
- C. Hardened only.
- D. Polished only.
- E. Soft, not polished.
- F. Hardened and Polished.
- H. Blued.

These letters **MUST BE USED** when they appear in the list and **AFTER** the number, as in the list.

In this series

200001 to 201500 are Screw Numbers.

201501 to 201800 are Nut Numbers.

201801 to 202000 are Roller Numbers.

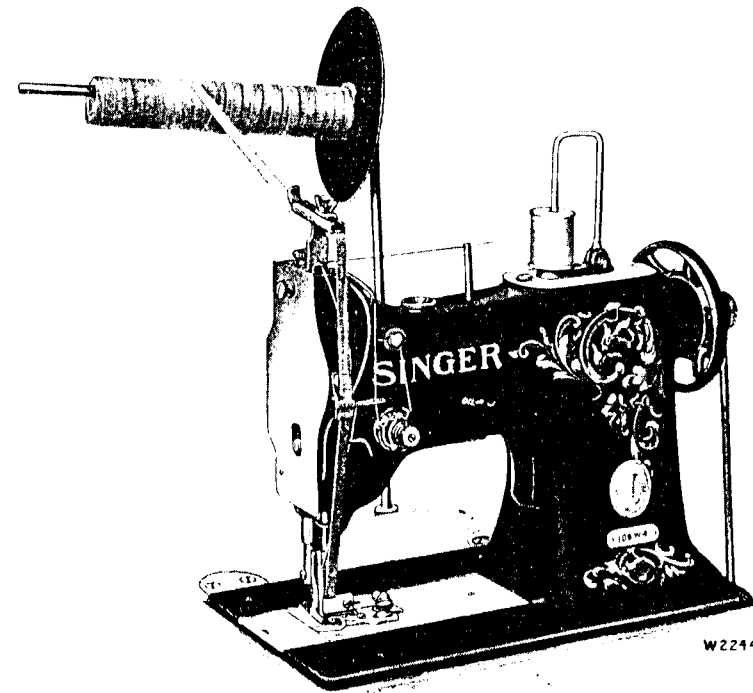
202001 and upward are numbers of Machine Parts.

The figures in the second column refer only to the plate in which the illustration of the part is shown and are **NOT TO BE USED** in ordering.

Two or more numbers over a cut indicate that the difference between such parts is not visible in an illustration.

Parts marked with an asterisk (\*) are furnished only when repairs are made at the factory.

## LIST OF PARTS COMPLETE FOR



W2244

### MACHINE No. 108w4

UNISON FEED

For Folding the Edge and Stitching a Tape to the Button Flies of Shoes in One Operation.

No.	Plate	Name	Each
*224558	---	Arm .....	\$ -
203091	11670	" Cap .....	40
200278n	10244	" " Screw .....	05
202248n	10244	" " " Washer .....	05
203089	---	" " Spool Holder Base .....	20
203090	---	" " " " " 203089 with 200079n and 204296 .....	30
200585n	11672	Arm Cap Spool Holder Base Screw ....	01
204296	11670	" " " " Wire .....	10
200079n	10688	" " " " " Hinge Screw .....	02

No.	Plate	Name	Each	
203092	11670	Arm Cap and Spool Holder complete, Nos. 203090, 203091 and two 200585u...	\$ 75	
204235	10668	Arm Position Pin	02	
200010E	11672	" Screw	06	
202005	11672	" " Washer	04	
208523	11670	" Shaft with 200357E	1 50	
202243	11670	" " Bushing (back) with 202244	75	
202244	---	" " " " Oil Packing (wick)	02	
200338C	10244	Arm Shaft Bushing (back) Set Screw	04	
202245	11670	" " " (front) with 202036 and 202260	55	
202260	---	Arm Shaft Bushing (front) Oil Packing (wick)	01	
200502B	11688	Arm Shaft Bushing (front) Oil Packing Thumb Screw	25	
202036	10668	Arm Shaft Bushing (front) Position Pin	01	
200338C	10244	" " " " Set Screw	04	
202530	11670	" " Connection Belt	60	
202252	10244	" " " " Pulley with 200327C, 200602E and two 202253	1 00	
200602E	10244	Arm Shaft Connection Belt Pulley Position Screw	10	
200327C	10244	Arm Shaft Connection Belt Pulley Set Screw	04	
202253	10244	Arm Shaft Connection Belt Pulley Spring Flange	15	
208573	11670	Arm Shaft Counter Balance with 200335C	60	
200335C	10244	" " " " Set Screw	04	
200357E	10244	" " Oil Packing Stop Screw	03	
202255	11682	Balance Wheel with 200328C and 200335C	85	
200328C	10244	" " Position Screw	04	
200335C	10244	" " Set Screw	04	
*208524	---	Red		
202258	12345	" Hinge Connection (2)	08	
200570E	11672	" " " Screw (4)	05	
208570	11689	" Plate (back)	50	
200577B	11672	" " " Screw	02	
210616	11670	" Slide (front)	30	
202265	11671	Bobbin	08	
*202806	---	" Case		
202267	11671	" " Latch	10	
*202056	11671	" " " Pin		
202269	11671	" " " Plunger	05	
202270	11671	" " " Spring	01	
202716	11671	" " Tension Spring	15	
200984F	11671	" " " " Regulating Screw	04	
200594F	11671	Bobbin Case Tension Spring Screw	02	

No.	Plate	Name	Each
202533	11671	Bobbin Case complete, Nos. 200594F, 200984F, 202056, 202267, 202269, 202270, 202716 and 202806	\$1 00
221555	11687	Edge Folder Curl (lower) on Shank	1 60
221556	11687	" " " (upper) (adjustable)	60
240D	11687	" " " Screw	02
221557	---	Edge Folder complete, adjustable from $\frac{1}{4}$ to $\frac{1}{2}$ in., Nos. 240D, 224555 and 224556	2 25
200462B	11672	Edge Folder Thumb Screw	10
208535	11682	Face Plate	1 00
202135	11672	" " Position Pin	01
200462B	11672	" " Thumb Screw	10
208528	11672	Feed Driving Connection (brass) with 202277	75
202277	---	Feed Driving Connection Oil Packing (wick)	01
208539	11672	Feed Driving Connection Stud (eccentric) with 202254	40
202254	---	Feed Driving Connection Stud Oil Packing (wick)	01
200362C	11672	Feed Driving Connection Stud Set Screw	03
208331	11675	" " Eccentric Regulating Bracket	1 50
208332	---	" " " " " " 208331 with 202252, two each 201011C and 201525E	2 75
201011C	11672	Feed Driving Eccentric Regulating Bracket Hinge Screw	12
201525E	11672	Feed Driving Eccentric Regulating Bracket Hinge Screw Nut	03
202301	11687	Feed Driving Eccentric Regulating Bracket Plunger	05
202595	11687	Feed Driving Eccentric Regulating Bracket Plunger Spring	02
200607C	11687	Feed Driving Eccentric Regulating Bracket Plunger Spring Stop Screw	05
201011C	11672	Feed Driving Eccentric Regulating Bracket Stop Screw	12
201525E	11672	Feed Driving Eccentric Regulating Bracket Stop Screw Nut	03
200429C	11687	Feed Driving Eccentric Regulating Screw	08
200383C	11687	" " " " " " Check Screw	02
208540	11670	Feed Regulating Spindle with 202341, 202413 and 202619	1 25
*202341	---	Feed Regulating Spindle Head	---
202413	10244	" " " " Pin	02
202619	10668	" " " " Position Pin	Per 100
*208509	---	Hook (sewing)	---

## Parts for Machine No. 108w4

No.	Plate	Name	Each
206750	11671	Hook 208509 with 200145n, 200596e, 200614c, 202728, 203101, 206751, 206775 and 208579 .....	\$2 50
206746	—	Hook and Bobbin Case complete, Nos. 202533 and 206750 .....	3 50
208579	11671	Hook Gib .....	60
200614c	11671	" " Hinge Screw .....	02
200596e	11671	" " Screw .....	02
203101	—	" Oil Wick .....	01
*202728	—	" Shaft, 9½ in. long .....	—
202321	11671	" " Bushing (back) .....	15
200346c	11671	" " " " Set Screw .....	03
202322	11671	" " " " front) .....	15
200346c	11671	" " " " Set Screw .....	03
202323	10244	" " Connection Belt Pulley with 202324 and two 201018c .....	60
201018c	11672	Hook Shaft Connection Belt Pulley Set Screw .....	03
202324	10244	Hook Shaft Connection Belt Pulley Spring Flange .....	08
202260	—	Hook Shaft Oil Packing (wick) (2) ....	01
206775	11671	" " Pin .....	01
206751	11671	" Washer .....	05
200145n	11671	" " Screw .....	02
208542	11682	Knee Lifter Connection Lever with 202446 .....	10
208543	—	Knee Lifter Connection Lever 208542 with 200224n, 200262n, 208544 and 208592 .....	50
200224n	11672	Knee Lifter Connection Lever Hinge Screw .....	12
208592	11682	Knee Lifter Connection Lever Lifting Rod with 202302 .....	06
202302	12321	Knee Lifter Connection Lever Lifting Rod Cotter Pin .....	01
202446	11687	Knee Lifter Connection Lever Pin .....	03
208544	11682	" " Lifting Lever .....	10
200262n	11672	" " " " Hinge Screw .....	10
208545	11672	Lifting Bell Crank .....	1 25
208546	11672	" " " " Driving Crank .....	1 75
208547	11672	" " " " " Link .....	75
202277	—	" " " " " Oil Packing (wick) .....	01
201012c	11672	Lifting Bell Crank Driving Crank Posi- tion Screw .....	03
200374c	10668	Lifting Bell Crank Driving Crank Set Screw .....	02
200996e	11673	Lifting Bell Crank Stop Screw .....	06
224550	11688	" Presser Foot .....	2 00
200074e	11672	" " " " Screw .....	03

## Parts for Machine No. 108w4

No.	Plate	Name	Each
208526	—	Needle Bar with 200141e .....	\$ 80
208549	11682	" " and Needle Plate Carrier Frame with 200362c, 200997e and 208550	3 75
200999e	11673	Needle Bar and Needle Plate Carrier Frame Hinge Screw .....	30
200998c	11673	Needle Bar and Needle Plate Carrier Frame Hinge Screw Stud .....	20
208550	11673	Needle Bar and Needle Plate Carrier Frame Hinge Screw Stud Bushing (split) .....	15
200997e	11673	Needle Bar and Needle Plate Carrier Frame Hinge Screw Stud Bushing Posi- tion Screw .....	03
202277	—	Needle Bar and Needle Plate Carrier Frame Hinge Screw Stud Oil Packing (wick) .....	01
208551	11673	Needle Bar Connecting Link .....	1 25
208552	11673	" " " Stud with 200086c and 202330 .....	35
202330	—	Needle Bar Connecting Stud Oil Packing (wick) .....	01
200086c	11673	Needle Bar Connecting Stud Pinch Screw	03
208553	11670	" " Crank with 200335c, 200374c, 200428c and 201012c .....	1 00
208582	—	Needle Bar Crank 208553 with 200996c, 202398, 202400, 208545 to 208547, 208554, 208552, 208555, 208557, 208562 and 208563 .....	12 00
203172	11673	Needle Bar Crank Friction Washer .....	05
200428c	11673	" " " Position Screw .....	08
200335c	10214	" " " Set Screw .....	04
224561	11688	" Plate, 53 needle hole, for needle sizes 12 and 13 .....	1 50
200084e	11671	Needle Plate Screw .....	03
208537	11688	" " Slide Plate (adjustable) .....	65
200054e	11688	" " " " Screw (2) ....	03
202101	11671	" " " " Washer (2) .....	01
200141e	11671	" Set Screw .....	02
208554	11674	Oil Leader (brass) (for back hook shaft bearing) .....	05
208566	11670	Presser Bar with 200074e .....	80
208567	11674	" " Bushing .....	50
200352c	11674	" " " Set Screw .....	03
202339	11671	" " Lifter .....	25
200653c	11674	" " " Hinge Screw .....	06
208555	11673	" " Lifting Bracket with 200054b	1 00
200975e	11674	" " " " Guide Screw	15
200054b	11688	" " " " Pinch Screw	03
208556	11674	" " Spring .....	15

No.	Plate	Name	Each
200494B	11674	Presser Bar Thumb Screw (pressure regulating) .....	\$ 25
200475B	10668	Presser Bar Thumb Screw Thumb Set Screw .....	08
202355	10668	Presser Bar Thumb Screw Thumb Set Screw Packing (brass) .....	01
202397	10668	Take-up (auxiliary) .....	15
200842F	10668	" " Screw .....	10
202398	10247	" Lever .....	1 20
208557	11673	" " Driving Stud with 202277 ..	50
202277	-----	" " " " Oil Packing (wick) .....	01
202400	10247	Take-up Lever Hinge Stud with 202423 ..	25
202423	-----	" " " " Oil Packing (wick) .....	01
200383C	11687	Take-up Lever Hinge Stud Set Screw ..	02
208558	11674	" " Oil Guard with 200161H and 202401 .....	15
200161H	10247	Take-up Lever Oil Guard Screw .....	01
208568	11674	" " " Leader (brass) .....	15
202254	-----	" " " " Packing (wick) .....	01
202401	10247	" " Oiling Felt .....	02
200161H	10247	" " " " Screw .....	01
224552	11687	Tape Guide .....	1 25
224553	11687	" " Bracket .....	75
226B	11687	" " Screw .....	02
224554	-----	Tape Guide complete, adjustable from $\frac{1}{4}$ to $\frac{1}{2}$ in., Nos. 226B, 224552 and 224553 ..	2 00
224563	11687	Tape Guide on Bracket .....	3 00
224564	11687	" " Tension Spring .....	35
812B	11687	" " " " Thumb Screw .....	06
1621H	11687	" " " " " " .....	02
200469B	11687	Tape Guide Thumb Screw .....	10
225837	11687	" " " " Washer .....	01
224562	11687	" Leader .....	75
190B	11687	" " Screw .....	03
224565	-----	Tape Tension and Guide complete, Nos. 812B, 1621H, 224563 and 224564 .....	3 50
202402	10247	Tension Disc (back) .....	05
202403	10247	" " (front) .....	10
208583	11674	" Release Plunger .....	05
208559	11675	" " Slide .....	40
208560	11675	" " " Spring .....	03
202405	10247	" " Washer .....	15
202407	10247	" Spring .....	05
200625B	10247	" Stud with 204925 .....	15
200081C	10247	" " Set Screw .....	02
204925	10668	" " Washer .....	01
201572B	10247	" Thumb Nut .....	01

No.	Plate	Name	Each
202409	10252	Tension complete, Nos. 200625B, 201572B, 202402, 202403, 202405, 202407 and 202410 .....	\$ 55
202410	10252	Thread Controller Spring (Per 100 \$2.00) ..	03
202411	10252	" " " Stop .....	10
200132E	10247	" " " " Screw .....	02
208571	11675	" Guide .....	05
202412	11675	" " .....	06
202415	10252	" " .....	10
208569	11675	" " .....	05
200582H	10252	" " Screw .....	02
200397H	11675	" " Set Screw .....	02
202091	10252	" Retainer Sleeve .....	05
202092	10252	" " spring .....	01
204058B	10252	" " Stud .....	07
200366H	10252	" " " Set Screw .....	02
204059	10668	Thread Retainer complete, Nos. 202091, 202092 and 204058B .....	15
224566	11688	Throat Plate with 202534 and two 200583H ..	75
202534	10668	" " Bobbin Case Stop .....	25
200583H	10668	" " " " " Screw .....	02
200577H	11672	" " Screw (2) .....	02
208562	11673	Vibrating Presser Bar .....	2 25
208563	11673	" " " Connecting Link .....	50
202277	-----	" " " Oil Packing (wick) .....	01
224554	11688	Vibrating Presser Foot with 201015F .....	2 00
201015F	11675	" " " Pinch Screw .....	02

## ACCESSORIES

No.	Plate	Name	Each
200157B	11688	Attachment Screw .....	\$ 05
202265	11671	Bobbin (5) .....	08
225497	12345	" Case Screw Driver .....	10
61 x 1	----	Needles, three each, sizes 14 and 15 ..... Per doz.	20
224567	----	Drip Pan with four wood screws $\frac{1}{2}$ in., No. 5 .....	25
41564	11682	Machine Rest Pin (wood), 4 in. long ..	05
36578	12345	Oiler with 36579 .....	10
36579	12345	" Spout, 3 in. long .....	06
225498	12345	Screw Driver, 4 $\frac{1}{4}$ in. long .....	15
225554	12345	Wrench (steel) .....	10

### BOBBIN WINDER

#### Swing Automatic, Right Hand.

202470	10271	Bobbin Winder Base .....	15
202471	10271	" " Frame .....	15
200221E	10272	" " " Hinge Screw .....	12
202472	10271	" " " Spring .....	05
200161D	10247	" " " " Screw .....	01
202473	10271	" " Pulley with 200380c .....	20
200380c	10272	" " " Set Screw .....	02
202474	10271	" " Spindle .....	15
202475	10272	" " Stop Latch .....	10
200056E	10272	" " " " Screw .....	03
202477	10272	" " " " Thumb Lever .....	15
200299H	10272	" " " " " " .....	05
		Hinge Screw .....	05
200299H	10272	Bobbin Winder Stop Latch Thumb Lever Joint Screw .....	05
201537H	10272	Bobbin Winder Stop Latch Thumb Lever Joint Screw Nut .....	03
202478	10272	Bobbin Winder Stop Latch Trip Lever ..	10
200299H	10272	" " " " " " .....	05
		Hinge Screw .....	05
202479	10271	Bobbin Winder complete, Nos. 200056E, 200161D, 200221E, 201537H, 202470 to 202475, 202477, 202478, three 200299H and two round head wood screws $\frac{1}{2}$ in., No. 14 .....	1 35

### Accessories

15

No.	Plate	Name	Each
202480	10271	Bobbin Winder Spool Holder Base with 200355H and 202484 .....	\$ 15
202481	10271	Bobbin Winder Spool Holder Base Spool Pin .....	05
202482	10272	Bobbin Winder Spool Holder Tension Disc (lower or upper) .....	02
200041E	10272	Bobbin Winder Spool Holder Tension Disc Screw .....	05
200355H	10272	Bobbin Winder Spool Holder Tension Disc Screw Set Screw .....	03
202483	10272	Bobbin Winder Spool Holder Tension Disc Spring (brass) .....	01
202484	10272	Bobbin Winder Spool Holder Tension Disc Thread Guide .....	01
202485	10271	Bobbin Winder Spool Holder complete, Nos. 200041E, 202480, 202481, 202483, two 202482 and one wood screw $\frac{1}{2}$ in., No. 13 .....	35
202264		Bobbin Winder and Spool Holder com- plete, Nos. 202479 and 202485 .....	1 65

### KNEE LIFTER

227781	11682	Knee Lifter Rock Lever with 200522c and 200529c .....	35
227782		Knee Lifter Rock Lever 227781 with two each 202451 and 202452 .....	50
227783		Knee Lifter Rock Lever 227782 with 202985 and 227784 .....	85
202453	11682	Knee Lifter Rock Lever Knee Plate with 200526c .....	17
202985		Knee Lifter Rock Lever Knee Plate 202453 with 202455 .....	25
202455	11682	Knee Lifter Rock Lever Knee Plate Arm (short) .....	10
200522c	11688	Knee Lifter Rock Lever Knee Plate Arm Set Screw .....	06
200526c	12321	Knee Lifter Rock Lever Knee Plate Set Screw .....	05
202451	11682	Knee Lifter Rock Lever Lug with two wood screws $\frac{3}{4}$ in., No. 13H .....	05
202452	11688	Knee Lifter Rock Lever Lug Hinge Pin ..	02
227784	11682	" " " " Rod, 3 in. long, with 227785 .....	06
*227785	----	Knee Lifter Rock Lever Rod Cap or Oil Guard .....	—
200529c	11688	Knee Lifter Rock Lever Rod Set Screw ..	05

(For Knee Lifter Parts on Machine, see page 10).

## TAPE HOLDER

No.	Plate	Name	Each
224568	11690	Tape Holder Rod .....	\$ 35
224569	11690	" " " Disc .....	25
204273	11688	" " " " Stop Collar with 200684H .....	15
200684H	11688	Tape Holder Rod Disc Stop Collar Set Screw .....	04
168B	11688	Tape Holder Rod Set Screw .....	04
27723	11690	" " " Stand with 168B and three wood screws 1 in., No. 10 .....	25
224570	11690	Tape Holder complete, Nos. 27723, 204273, 224568 and 224569 .....	1 00

## UNDER DRIVER

Ball Bearing, Right Hand, Round Belt, Two Speed.

No.	Plate	Name	Each
202457	10959	Cone Pulley (grooved), two speed, 3 $\frac{3}{4}$ in. and 4 $\frac{1}{4}$ in. belt diam., with 227553 .....	\$1 35
25362	12321	Cone Pulley Ball, size $\frac{3}{4}$ inch .....	80
204100	12321	" " " Bearing Cup .....	12
204101	12321	" " " Cap .....	02
204102	12321	" " " Retaining Spring .....	05
227553	12322	Cone Pulley Ball Cup complete, Nos. 204100 to 204102 and thirteen 25362 ..	45
202459	10959	Driving Pulley, 7 $\frac{1}{4}$ in. diam., with 202460 and 204105 .....	75
202460	10959	Driving Pulley Friction Ring (leather) ..	05
204105	12321	" " " " Stop Pin ..	01
227743		" " Shaft (hollow) with 204109, 204110, 204112 and two 204111 .....	60
202461	10959	Driving Pulley Shaft 227743 with 204107, 204108 and eleven 25303 .....	1 00
25303	12321	Driving Pulley Shaft Ball, size $\frac{1}{4}$ inch ..... Per 100	1 00
204107	12321	Driving Pulley Shaft Ball Cup .....	10
204108	12321	" " " " " Cap .....	02
204109		" " " Oil Plug .....	01
204110		" " " Oiling Leather .....	02
204111		" " " " " Pin (leather) .....	01
204112	12322	Driving Pulley Shaft Oiling Wick .....	01
200524c	12321	" " " Set Screw .....	06
204113	12321	" " " Thimble .....	10
227734	10959	Frame with 200524c .....	80
227970	10959	Lever (compression) and Dress Guard with 204117, two each 200524c and 202845 .....	60
227735	10959	Lever Brake with 200524c, 204122 and two 200374c .....	35
227736	10959	Lever Brake 227735 with 200082d and 227737 .....	60
227737	10959	Lever Brake Belt Guard .....	20
200082d	12321	" " " " Screw .....	03
204122	12322	" " Leather .....	05
200374c	12321	" " " Set Screw .....	02
200524c	12321	" " Set Screw .....	06
204123	12322	" " Spring .....	05
204117	12321	" Compression Plate .....	10
202845	12321	" " " Rivet .....	01



No.	Plate	Name	Each
202161	10959	Lever Compression Shaft with 202302	\$ 20
202302	12321	" " " Cotter Pin	01
200521c	12321	" " " Set Screw	06
27070	10959	Shaft Pulley (sectional, grooved), 10 in. diam., 1 1/2 in. bore, with two 597c	15
597c	11675	Shaft Pulley Clamping Screw	08
227976	10959	Treadle with 200510b	45
227977	10959	" 227976 with 227602	60
227602	10959	" Adjustable Connecting Slide	20
200510b	11675	" " " " Set Screw	10
202168	10959	Treadle Pitman Rod (lower or upper)	05
204126	12321	" " " Clamp with two 200530c	20
200530c	12321	Treadle Pitman Rod Clamp Set Screw	05
227980	10959	Treadle Pitman complete, Nos. 204126 and two 202168	30
204127	10959	Treadle Stand (left) with two wood screws 1 in., No. 13	08
204128	10959	Treadle Stand (right) with two wood screws 1 in., No. 13	08
227981	----	Treadle and Stand complete, Nos. 204127, 204128 and 227977	75
227982	----	Treadle and Pitman complete, Nos. 227980 and 227981	90
227738	----	Transmitter complete, Nos. 202157, 202159, 202161, 202161, 204113, 204123, 227731, 227736, 227970 and three wood screws 1 1/2 in., No. 15	3 00
227984	----	Under Driver (ball bearing), lever pressure, right hand, two speed, complete, Nos. 27070, 227738 and 227982	4 00

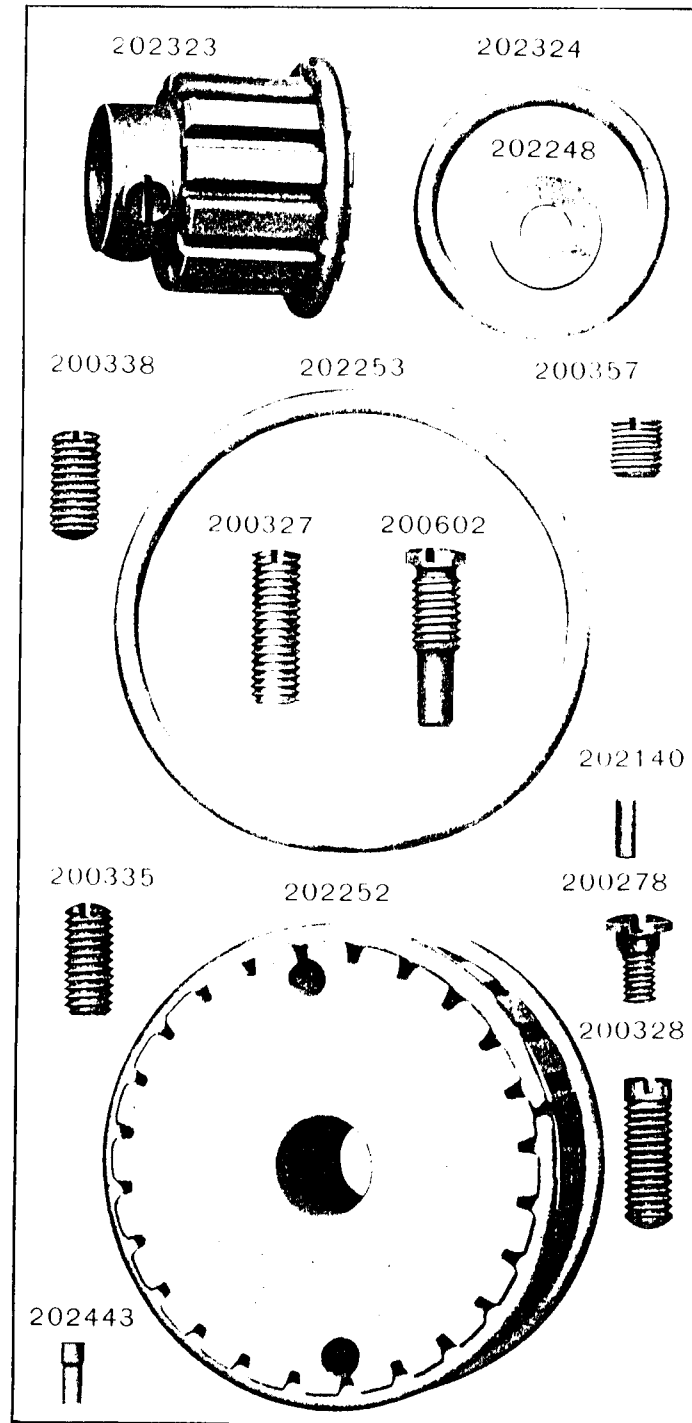


PLATE 10247-FULL SIZE

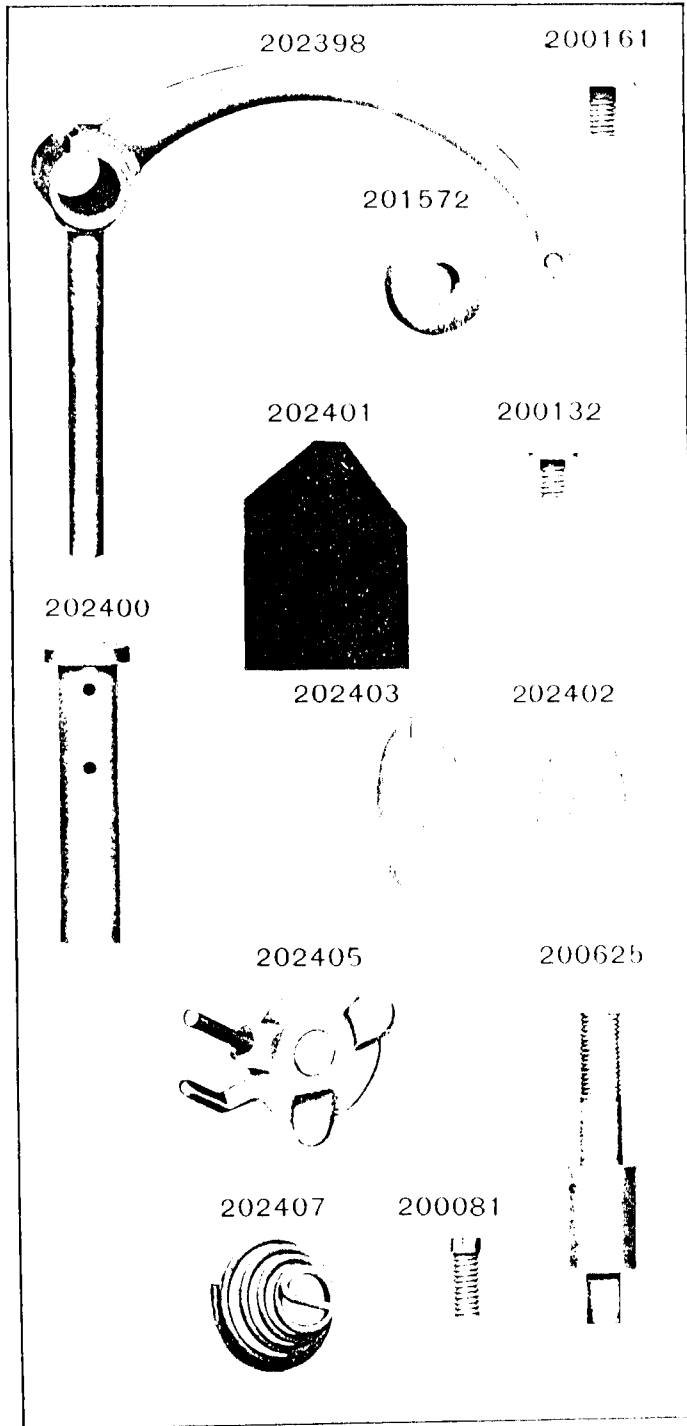


PLATE 10252-FULL SIZE

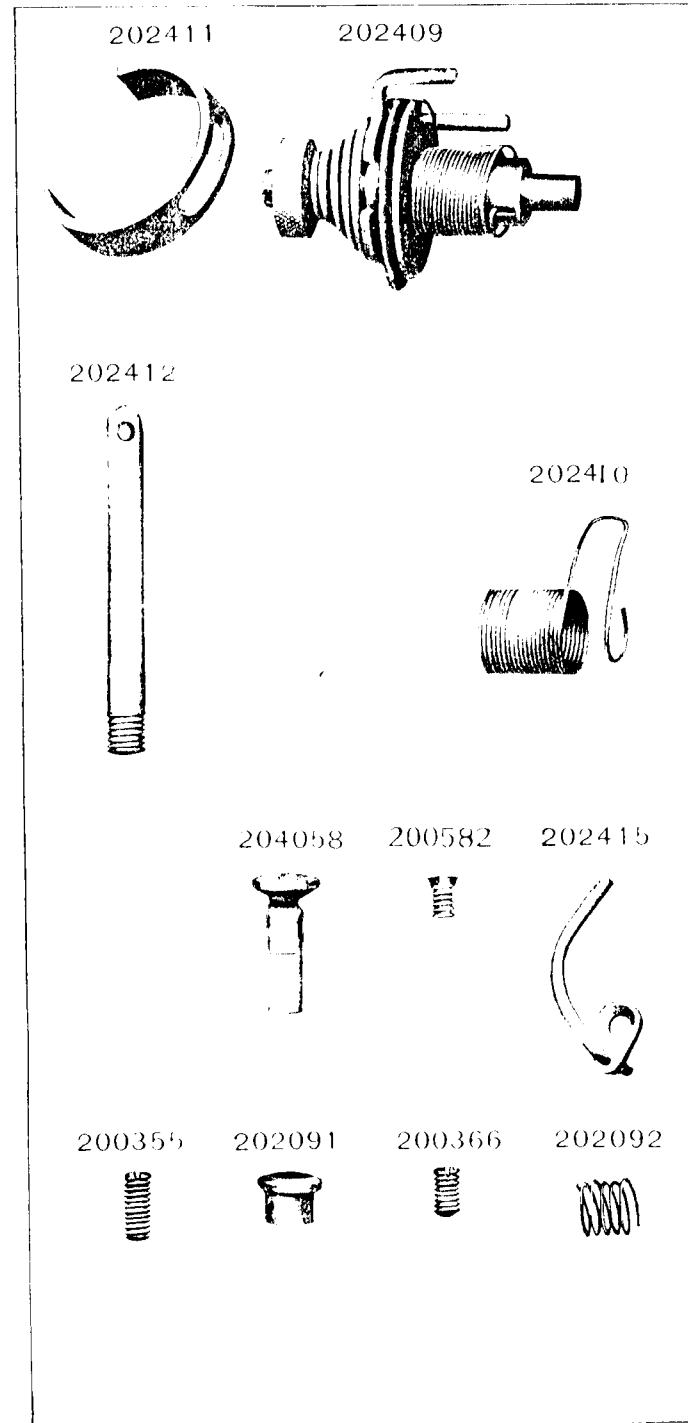


PLATE 10271--ONE-HALF SIZE

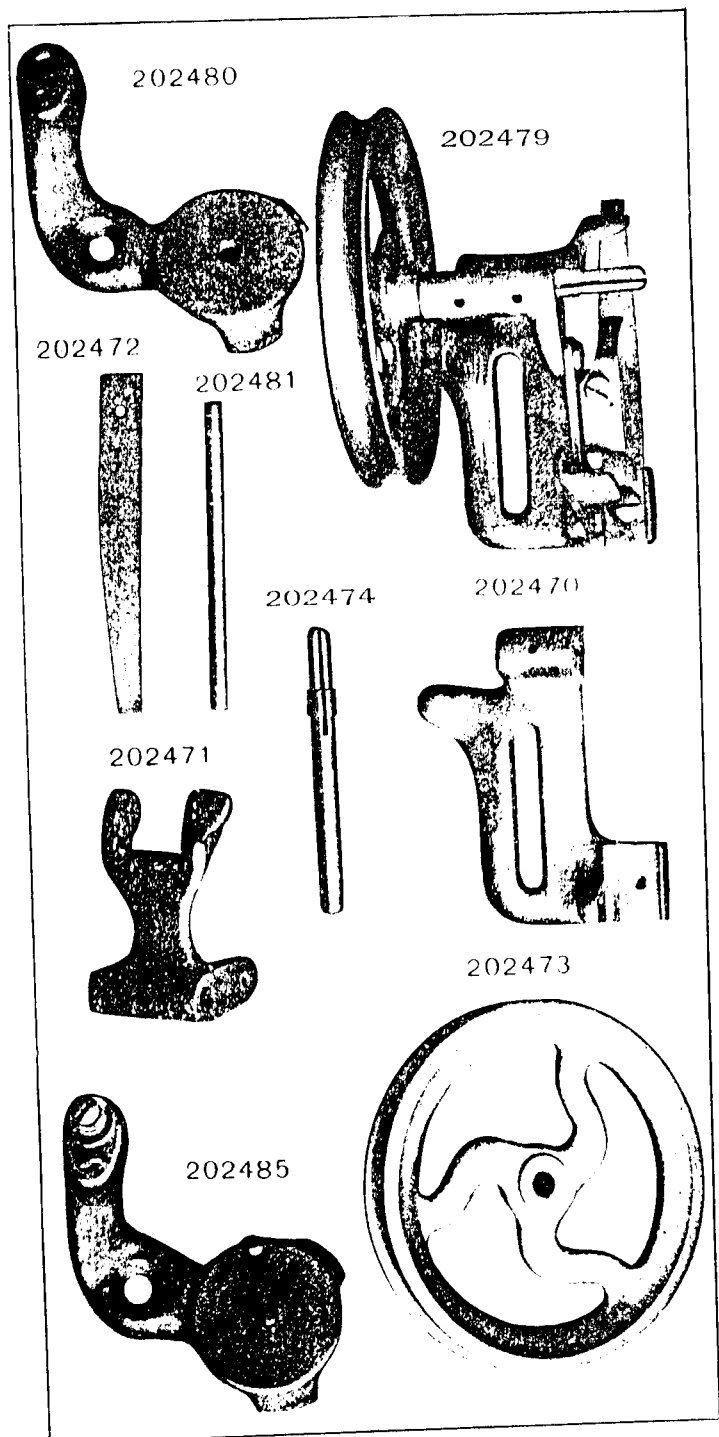


PLATE 10272--FULL SIZE

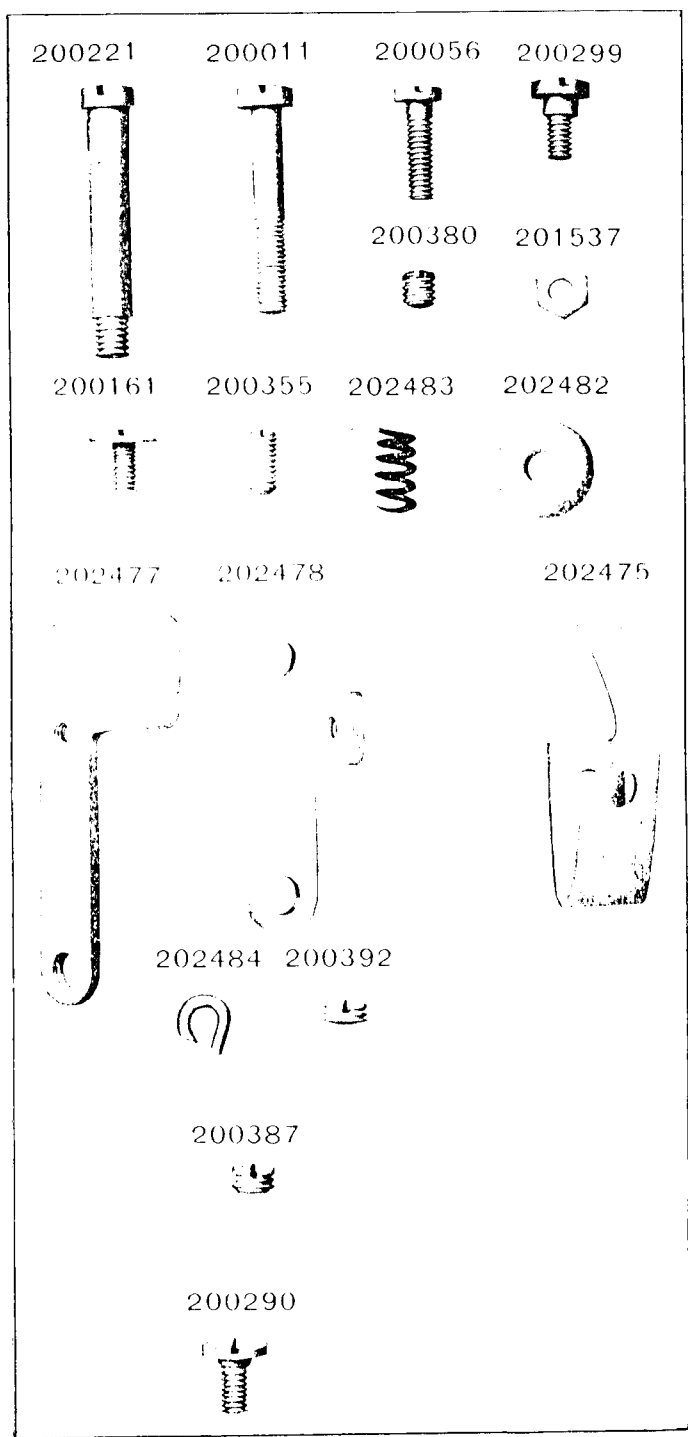


PLATE 10668—FULL SIZE

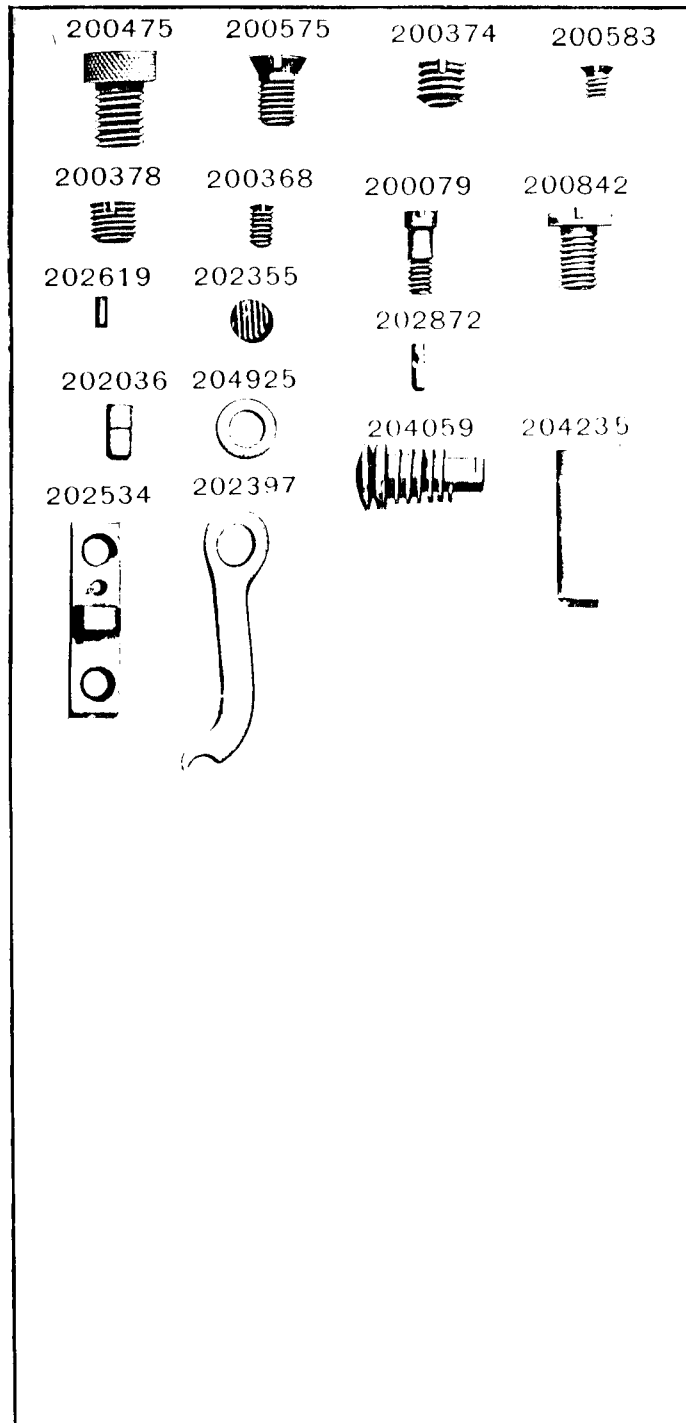


PLATE 10959—ONE-SIXTH SIZE

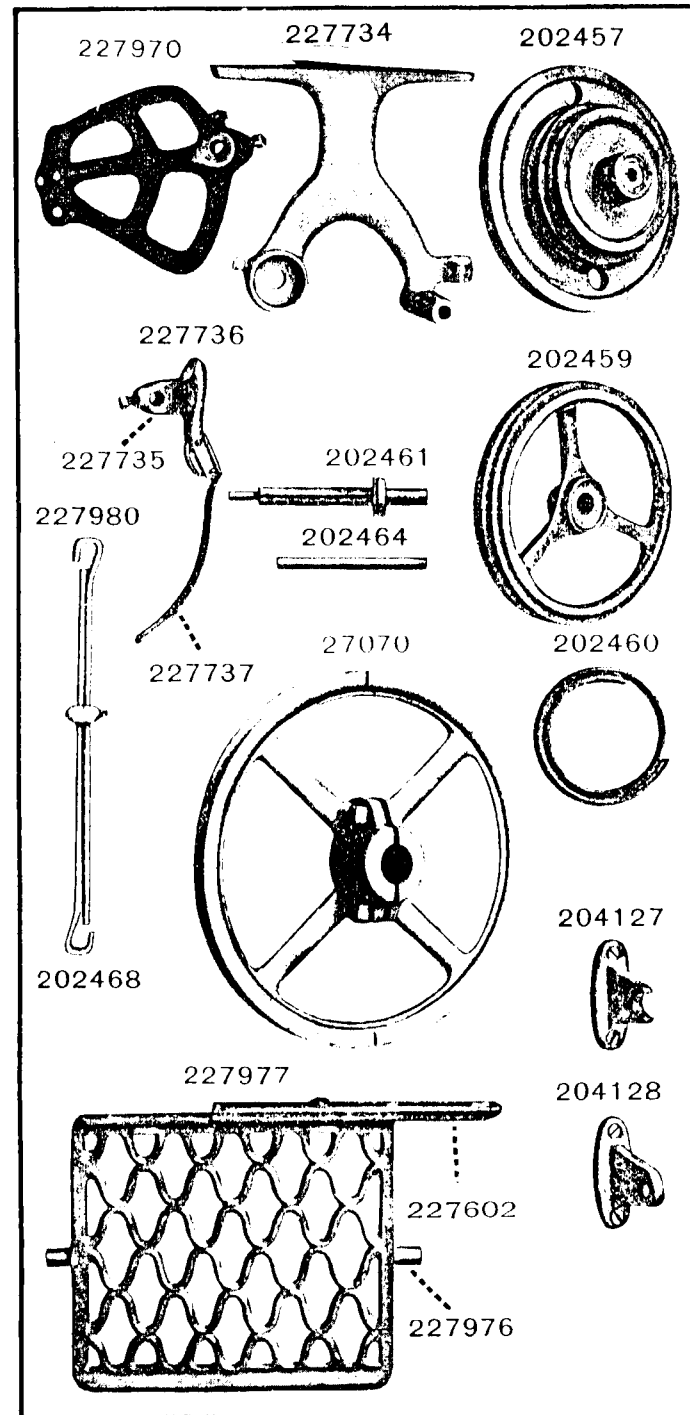


PLATE 11670-ONE-HALF SIZE

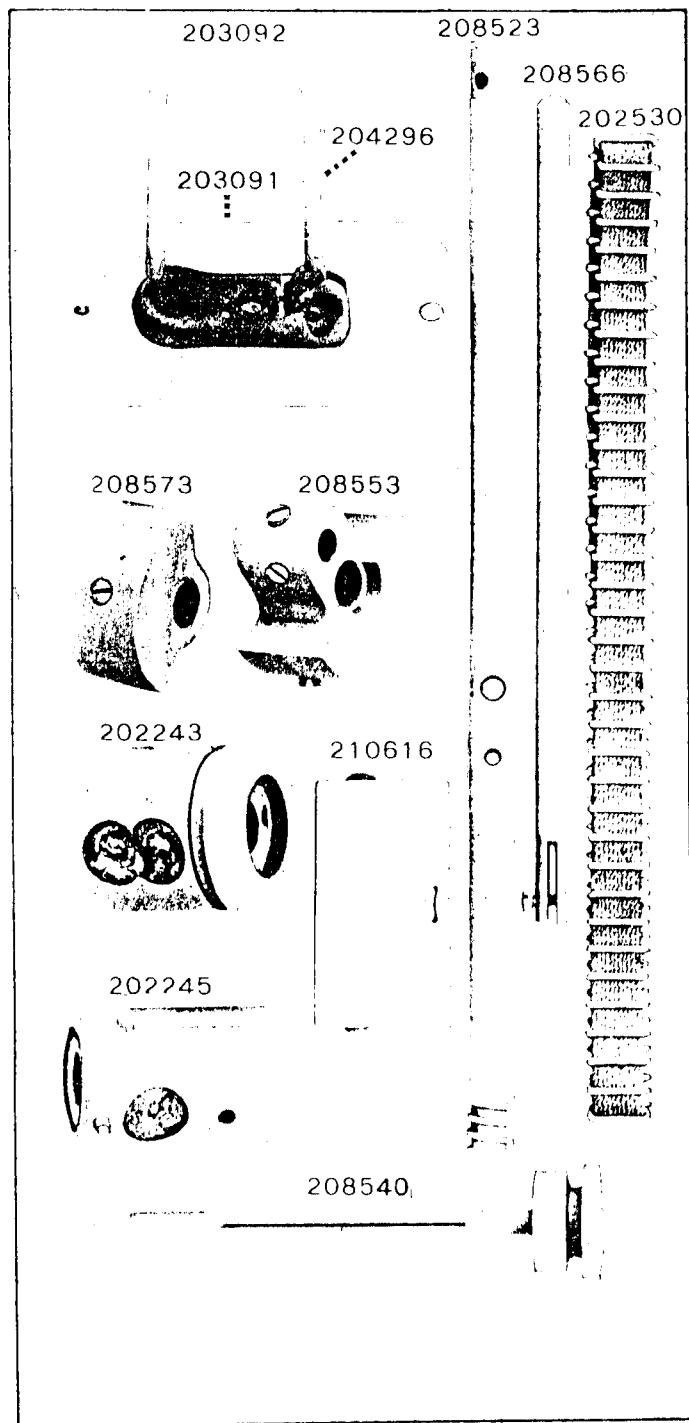


PLATE 11671-FULL SIZE

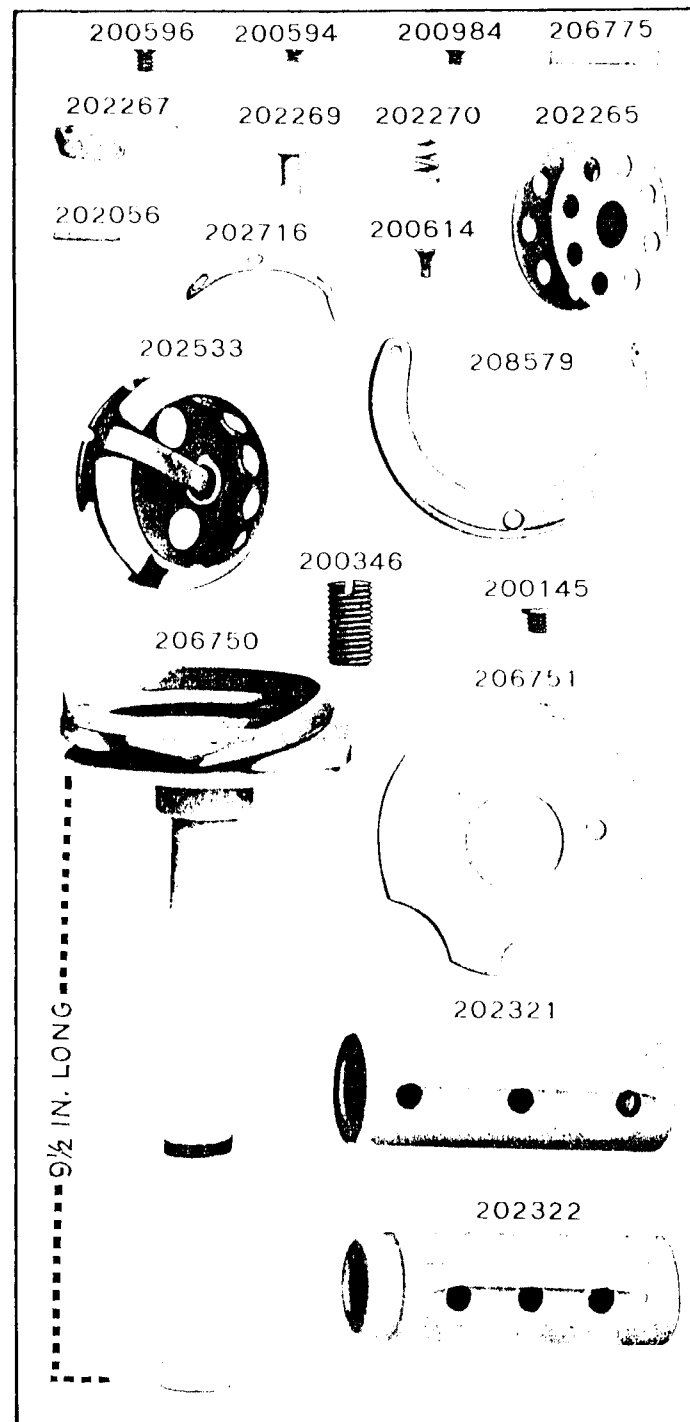


PLATE 11672-FULL SIZE

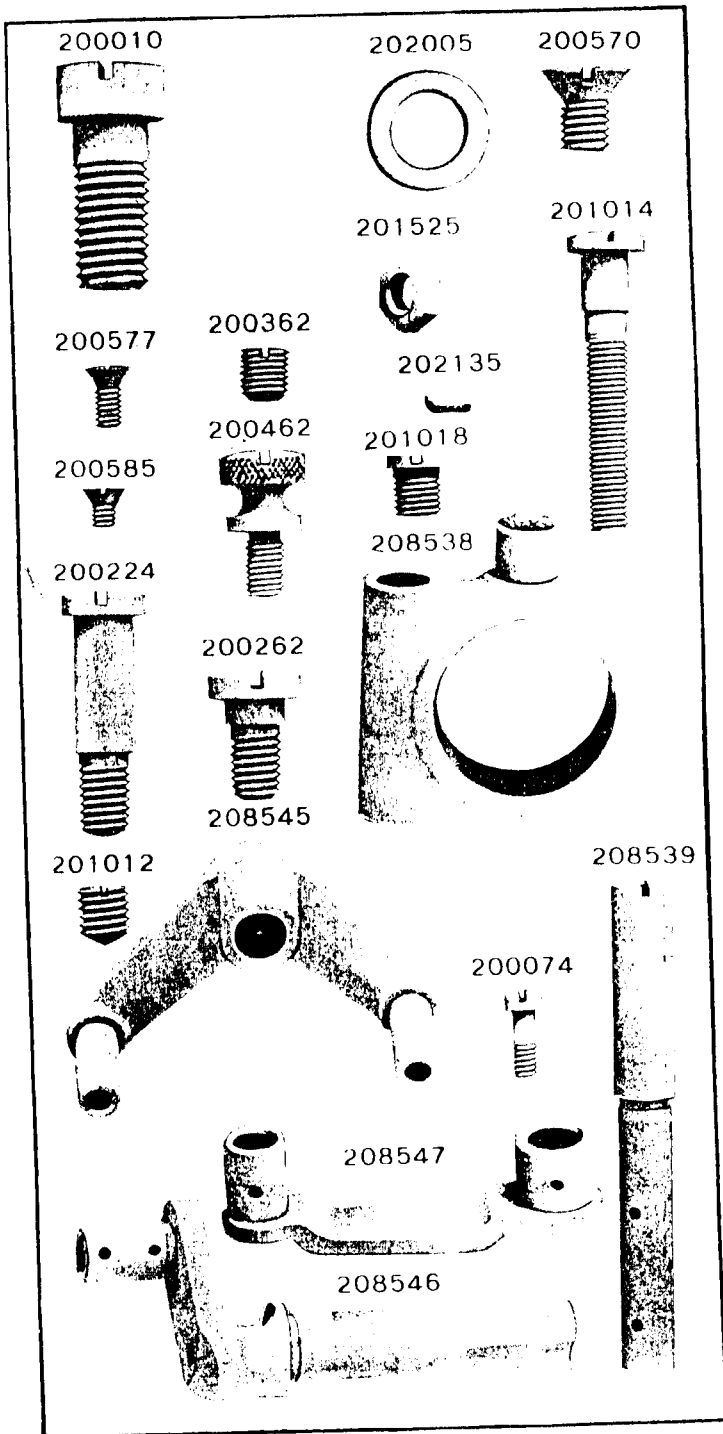


PLATE 11673 FULL SIZE

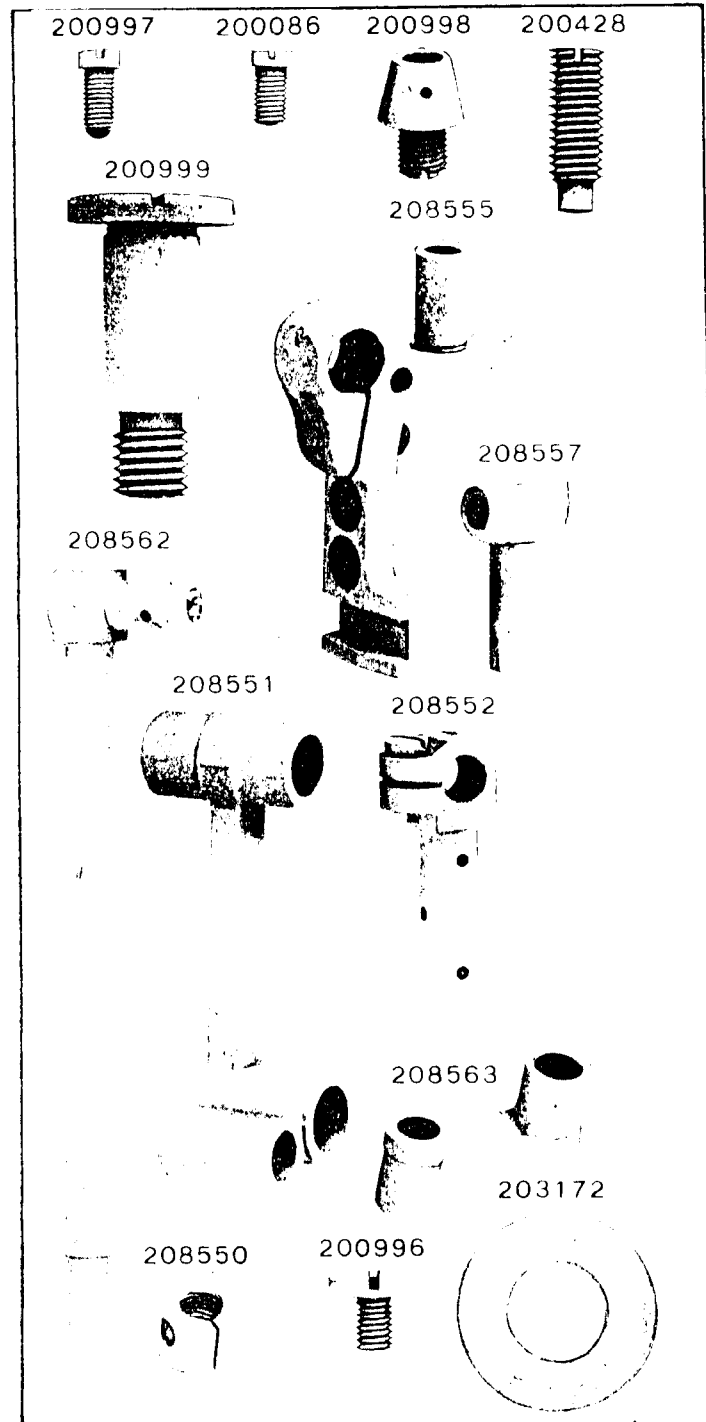


PLATE 11674--FULL SIZE

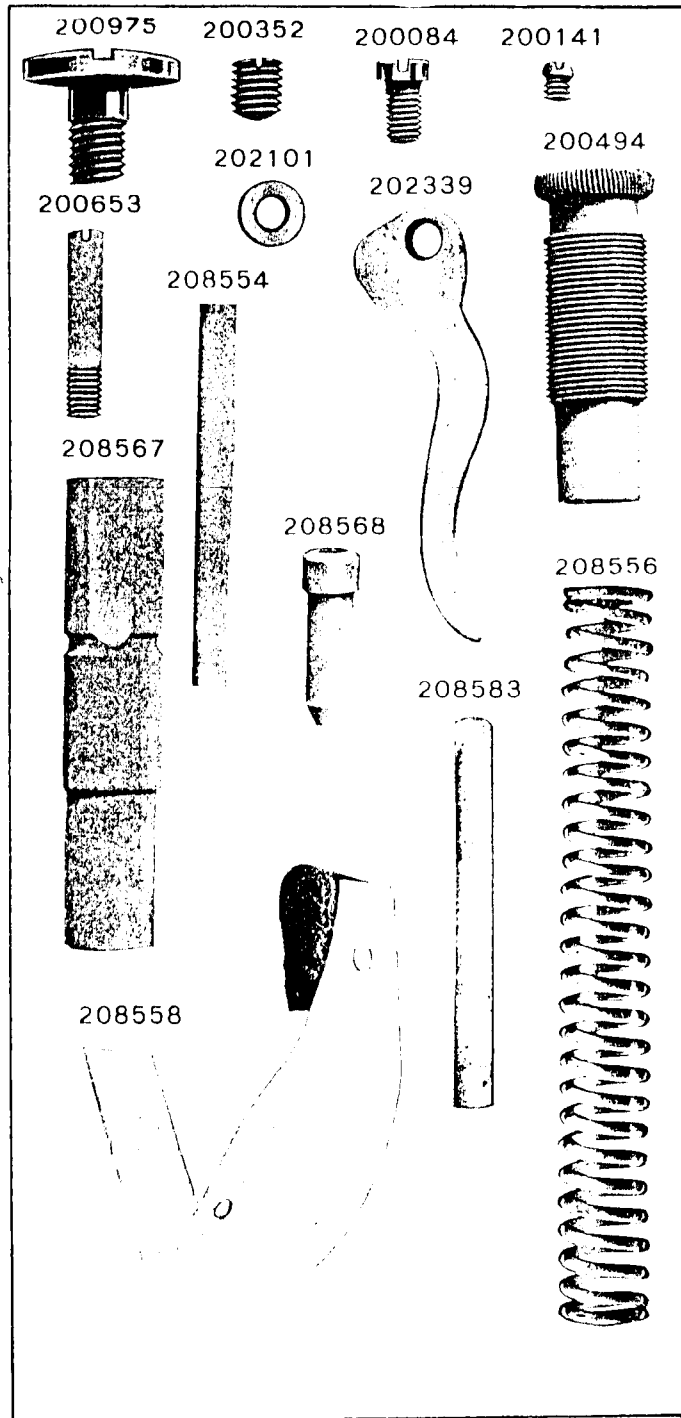


PLATE 11675--FULL SIZE

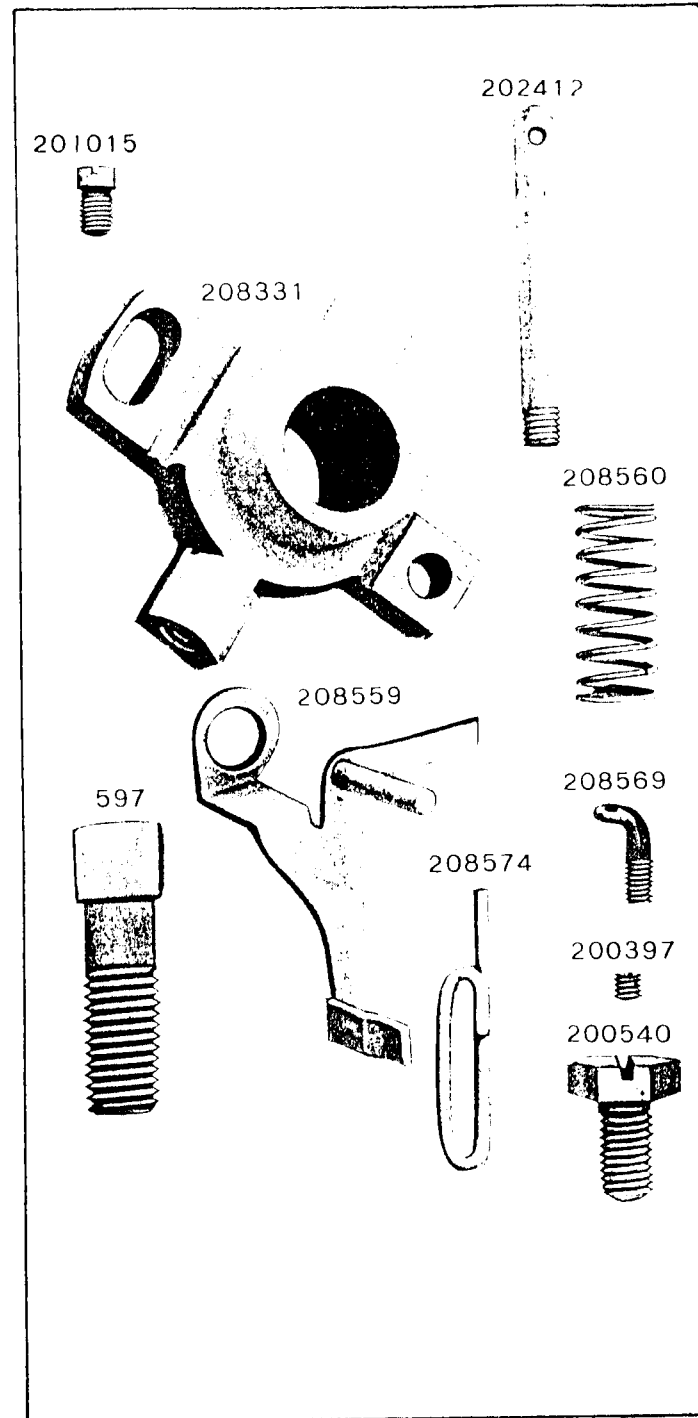


PLATE 11682--ONE-FOURTH SIZE

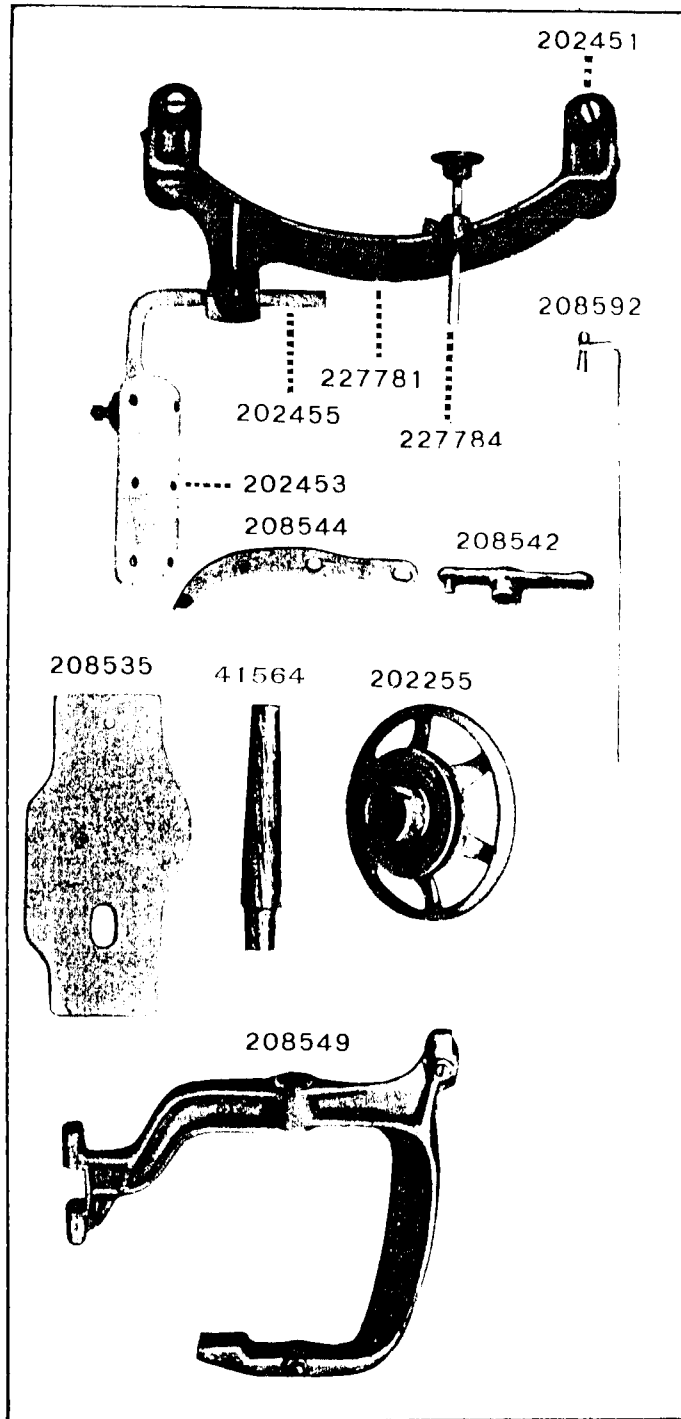


PLATE 11687--FULL SIZE

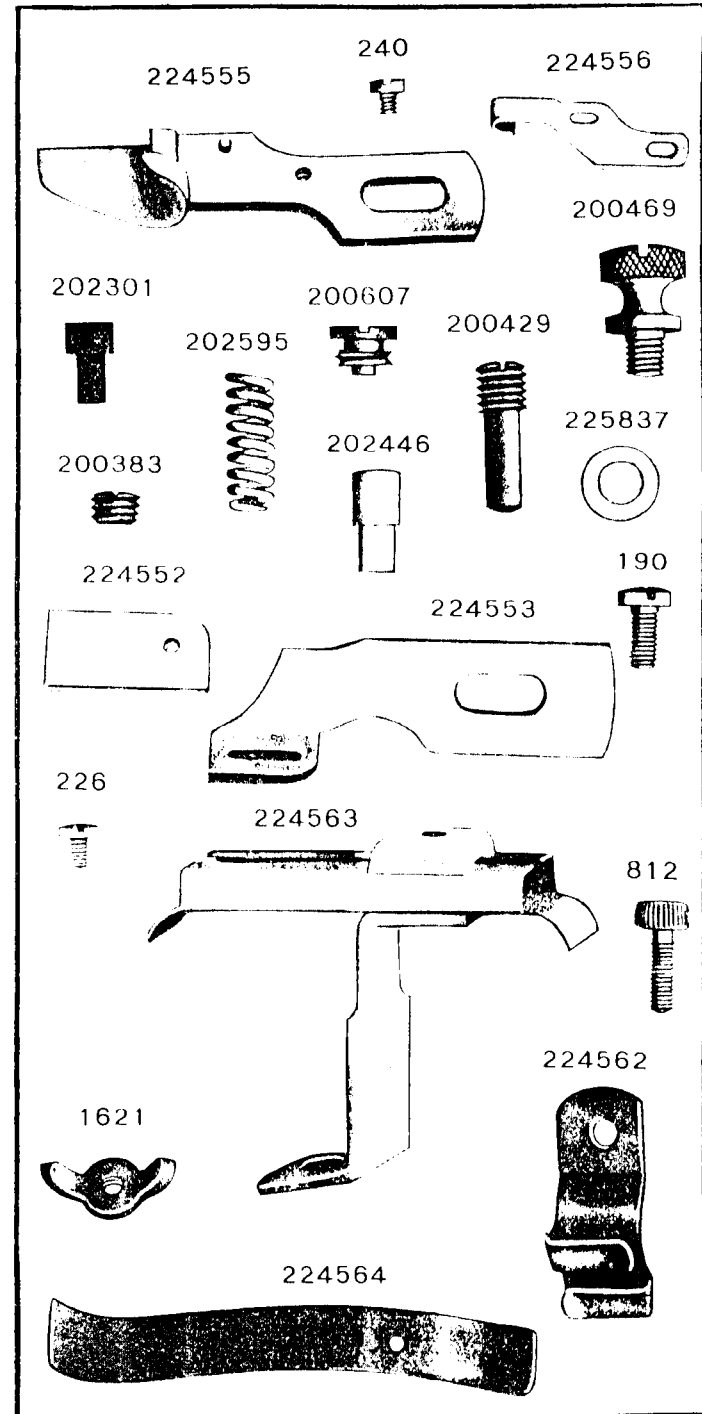




PLATE 11688—FULL SIZE

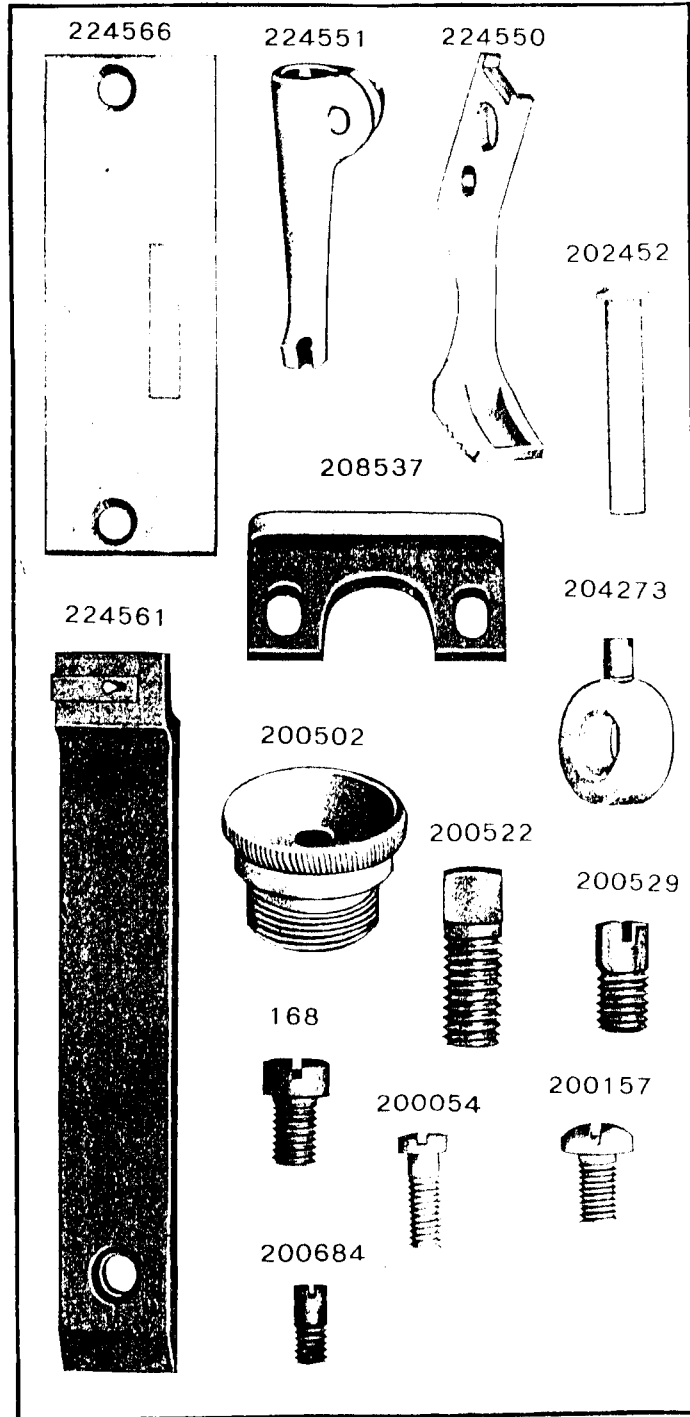


PLATE 11689—ONE-HALF SIZE

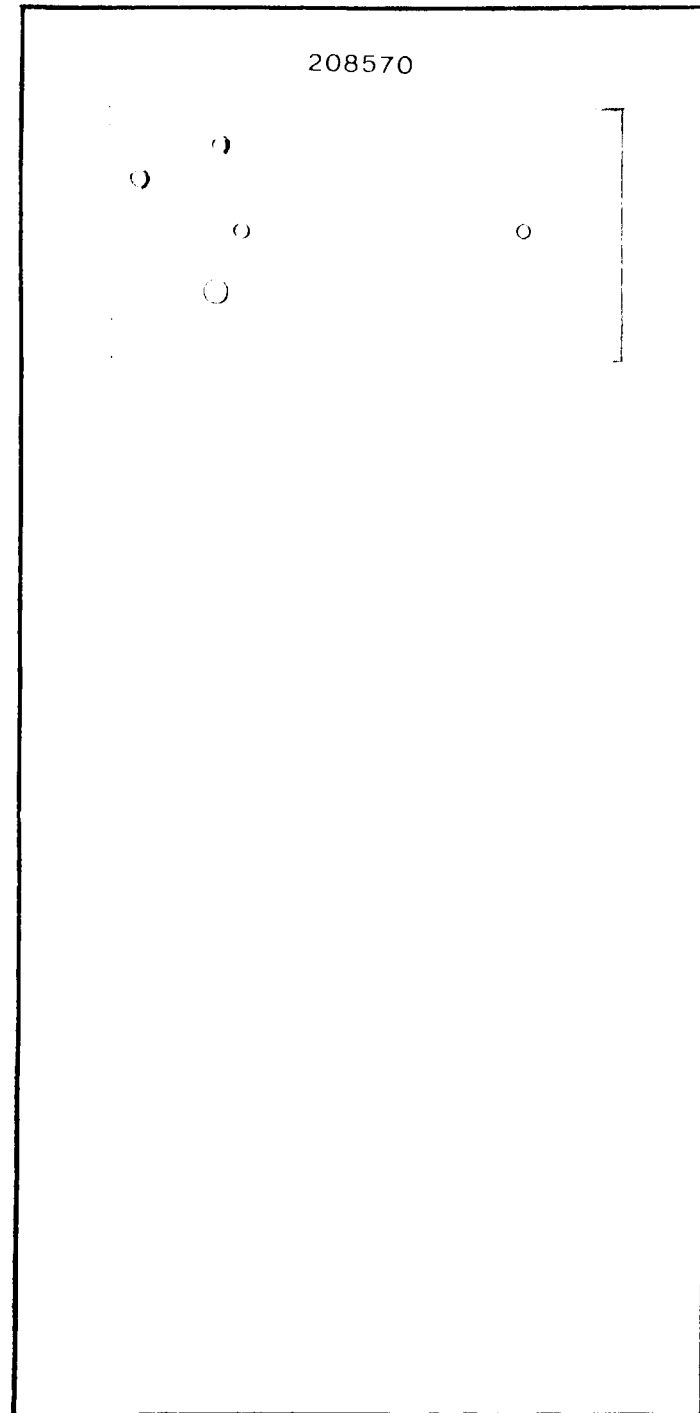


PLATE 11690—ONE-FOURTH SIZE

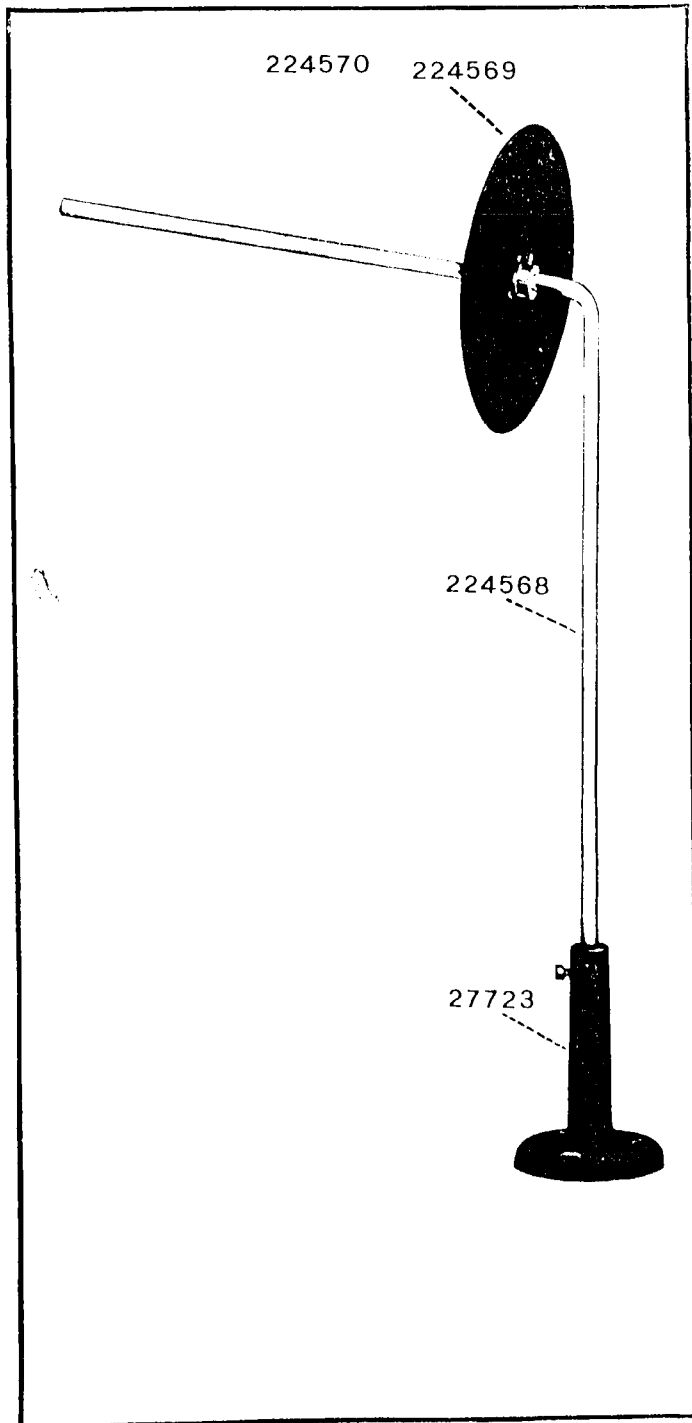


PLATE 12321—FULL SIZE

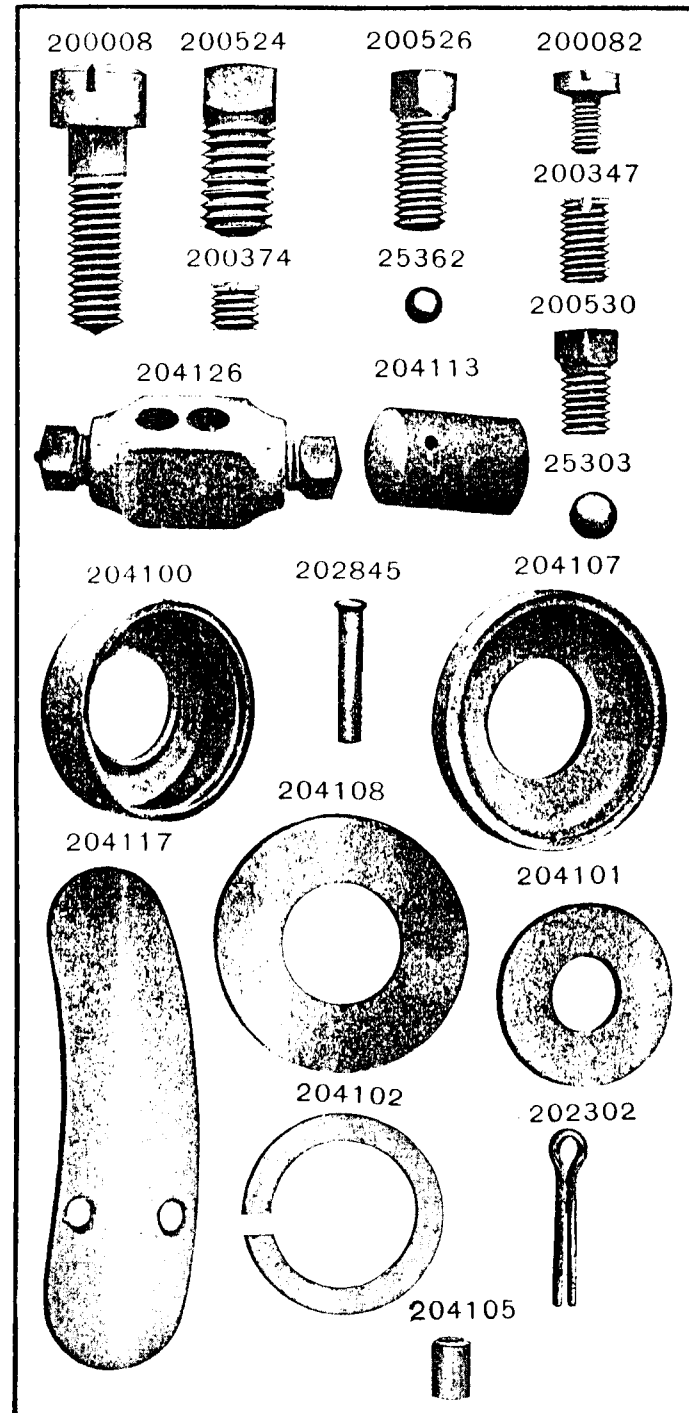


PLATE 12322-FULL SIZE

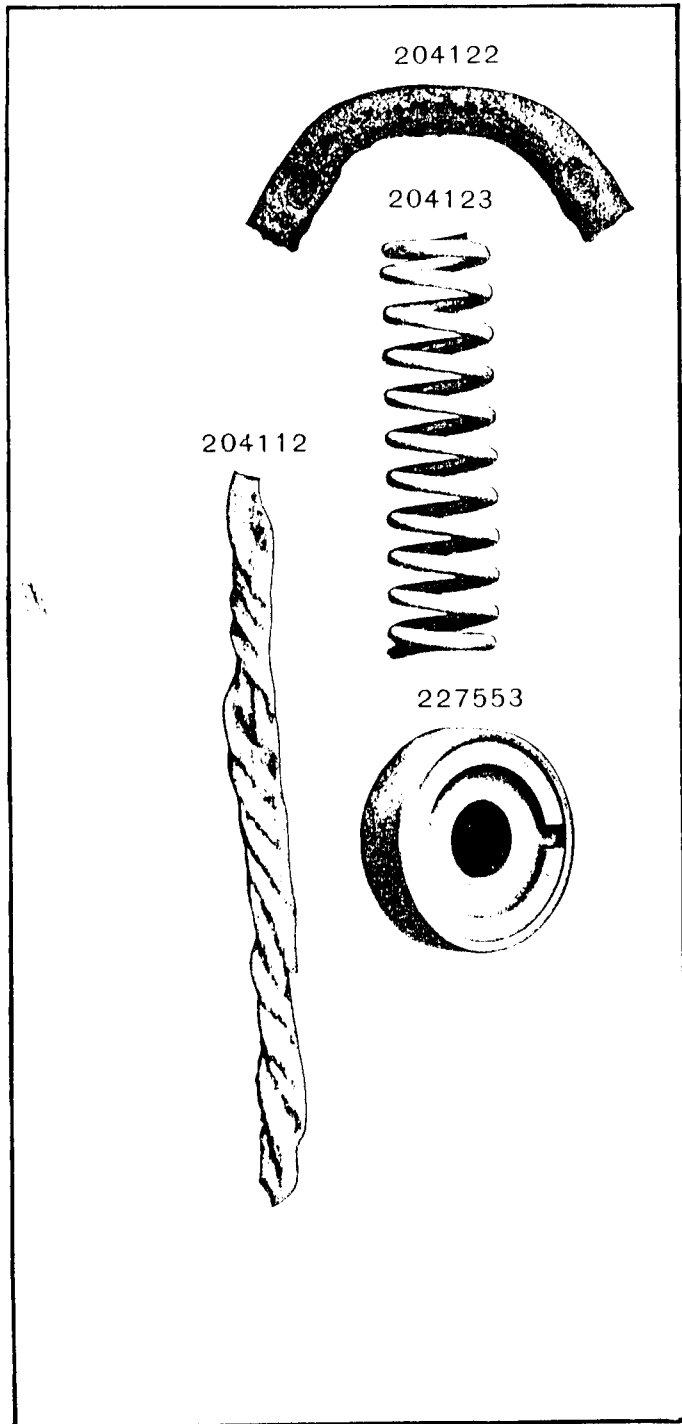


PLATE 12345-ONE-HALF SIZE

