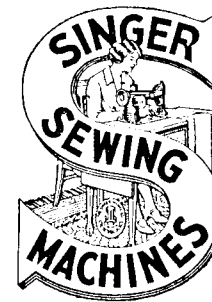


Form 2196w
April, 1932
PRINTED IN U. S. A.

LIST OF PARTS



MACHINE No. 71-142

THE SINGER MANUFACTURING COMPANY

COPYRIGHT, U. S. A.,
1916, 1923, 1925, 1929, AND 1932
BY THE SINGER MANUFACTURING COMPANY
ALL RIGHTS RESERVED FOR ALL COUNTRIES

INDEX

	PAGE
ACCESSORIES	24
BOBBIN WINDER	25
IRON BASE	25
KNIFE GRINDER	28
MACHINE NO. 71-142	7
MISCELLANEOUS PARTS	29
NUMERICAL LIST OF PARTS	31
TABLE BELT GUIDES	26
THREAD UNWINDER	26
TREADLE	27

Parts for Machine No. 71-142

No.	Plate	Name
350292D	14985	Arm Shaft Screw
39620	14984	" Side Cover
190D	14985	" " " Screw
249604	14983	" Top Cover (left)
249605	14983	" " " (right)
190D	14985	" " " Screw (4)
249606	14984	Barring Lever
1478C	14982	" " Hinge Screw
249607	14982	" " Spring
1330C	14982	" " " Screw Stud ..
249608	15017	" Plate (1st bar)
249801	15017	" " (2nd bar)
350229E	14982	" " Screw (2)
249610	14982	" Point
191C	14982	" " Screw
249611	14982	" Shaft with 452c
201713C	14982	" " Adjusting Lock Nut (2)
249612	14982	" " Guard
208D	4008	" " " Screw (2)
249613	14982	" Slide
249740	14982	" " Operating Plate (ad- justable)
223D	4008	Barring Slide Operating Plate (ad- justable) Screw (2)
350253C	14982	Barring Slide Operating Plate Ad- justing Screw
1607E	14982	Barring Slide Operating Plate Ad- justing Screw Nut
249614	14982	Barring Slide Operating Plate (sta- tionary)
228D	14982	Barring Slide Operating Plate (sta- tionary) Screw (2)
249615	14982	Barring Slide Operating Rod
249616	14982	" " " " Stud
249619	14982	" " Stop
704E	14982	" " " Attaching Screw
704E	14982	" " " Screw (adjust- able)
452C	4025	Barring Slide Stop Screw (adjust- able) Set Screw
*249620	---	Bed
249814	15019	" Oil Guard with 249883
249883	14985	" " " Oil Tube (brass)
1235F	4009	" " " Screw (2)
249853	14985	Belt Shifter with 350287c
249854	14985	" " Operating Collar with 350287c
350287C	14985	Belt Shifter Operating Collar Set Screw

Parts for Machine No. 71-142

No.	Plate	Name
249855	14985	Belt Shifter Operating Rod
350287C	14985	" " " " Set Screw
350287C	14985	Belt Shifter Set Screw
249856	14984	" " Shaft
249857	14984	" " " Bracket
350288C	14985	" " " " Hinge Screw
249858	14984	" " " " Extension with 51047E
51047E	14985	Belt Shifter Shaft Bracket Exten- sion Pinch Screw
158E	4024	Belt Shifter Shaft Bracket Exten- sion Screw (2)
249859	14985	Belt Shifter Shaft Bracket Spring
1226E	14985	" " " " " Screw Stud
249860	14985	Belt Shifter Shaft Bracket Stop
249655	15019	" " " " " Plate
178D	15017	Belt Shifter Shaft Bracket Stop Plate Screw (2)
191C	14982	Belt Shifter Shaft Bracket Stop Screw
249861	14985	Belt Shifter Shaft Guide Collar with 237F
2269	14978	Belt Shifter Shaft Guide Collar Posi- tion Pin
237F	4066	Belt Shifter Shaft Guide Collar Set Screw
249862	14985	Belt Shifter Shaft Spring
249863	14985	" " Trip Point
756E	14985	" " " " Screw
249864	14985	" " " Stud
161D	14985	Bobbin Winder Base Screw (2) ...
39647Y	4066	Clamp Arm
625F	4009	" " Adjusting Screw (2) ..
1547J	4009	" " " " Nut (2)
39584Y	14984	" " Bracket with 196F
40003Y	14987	" " " Guide (left)
219F	4009	" " " " " Screw (2)
40004Y	14987	Clamp Arm Bracket Guide (right)
217F	4025	" " " " " Screw (2)
191C	14982	Clamp Arm Bracket Screw (3)
39541	14987	" " " " Washer (3)
23379Y	4007	" " Hinge Block
23380	4007	" " " " Pin

Parts for Machine No. 71-142

No.	Plate	Name
196F	4007	Clamp Arm Hinge Block Pin Set Screw
402D	4007	Clamp Arm Screw (3)
39954	14984	" Carrier
40006	14987	" " Block with 40007 and four 404D
40007	14987	Clamp Carrier Block Plate
404D	4007	" " " " Screw ..
23384	4007	" " Connecting Rod
52C	4007	" " " " Hinge Screw
39591	14987	Clamp Carrier Guide (left)
756D	14985	" " " " Screw ..
23385	15017	" " " (right)
1230F	4007	" " " " Screw (3) ..
249753	14983	" " Plate
1231F	4007	" " " Screw (back) (2) ..
404D	4007	" " " " (front) (2) ..
249623	14984	" " Regulator with 240D, 1960 and 39583
1232C	4007	Clamp Carrier Regulator Hinge Screw
1960	4007	Clamp Carrier Regulator Roller and Screw Stud with 1520J
1520J	14987	Clamp Carrier Regulator Roller and Screw Stud Nut
249733	14986	Clamp Carrier Regulator Slide
350076C	14982	" " " Stud (to reg- ulate length of buttonhole)
1671C	4009	Clamp Carrier Regulator Stud Nut ..
39532	4009	" " " " Sleeve
39583	14987	" " " " Stop
240D	14987	" " " " " "
39613	15019	Clamp Carrier Slide with 39591 and three 756D
23392	4008	Clamp Carrier Slide Guide (left) ..
23393	4008	" " " " (right) ..
914F	4008	" " " " Screw (4)
249625	14986	" " " " Lever with 1960 ..
23395	14987	" " " " Regulator
23396	4008	" " " " " "
		Cap
223D	4008	Clamp Carrier Slide Lever Regu- lator Cap Screw (4)
67D	4008	Clamp Carrier Slide Lever Regu- lator Screw

Parts for Machine No. 71-142

No.	Plate	Name
1960	4007	Clamp Carrier Slide Lever Roller and Screw Stud with 1520J
1520J	15987	Clamp Carrier Slide Lever Roller and Screw Stud Nut
7278	4008	Clamp Carrier Slide Lever Socket Joint
1234C	4008	Clamp Carrier Slide Regulating Stud
23397	4008	Clamp Carrier Slide Regulating Stud Bushing
1658C	4008	Clamp Carrier Slide Regulating Stud Thumb Nut
1256D	4008	Clamp Carrier Slide Screw (2) ...
249815	15017	" Check, for $\frac{3}{4}$ to 1 in. button- holes
249884	15017	Clamp Check, for $\frac{1}{2}$ to $\frac{1}{4}$ in. button- holes
		Note: Clamp Check 249884 is furnished with this machine unless 249815 is speci- fied on order.
39650	4066	Clamp Check Holder (for use with 249815)
39707	15017	Clamp Check Holder (for use with 249884)
212D	4066	Clamp Check Holder Hinge Cap Screw
237F	4066	Clamp Check Holder Stop Screw ..
39715Y	4066	" " " " " "
		Washer
1296C	4066	Clamp Check Screw (2)
1296C	4066	" " Stop Screw
39549Y	15019	" Lifting Arm
1235F	4009	" " " Screw (3)
40020Y	14983	" Plate
1235F	4009	" " Screw (4)
23573	14986	" " Support
402D	4007	" " " Screw (2)
23574	4009	" Post
1659C	4009	" Pressure Regulating Thumb Nut
23404	4009	Clamp Spring
23693Y	4009	" " Bushing
1294C	4009	" " " Position Stud ..
1550J	4009	" " " " " Nut
24028	14986	Crank Connecting Rod with 24085 and two 896E

Parts for Machine No. 71-142

No.	Plate	Name
*24085	—	Crank Connecting Rod Cap
896E	4025	" " " " Screw ..
908C	4025	" " " " Hinge Screw
1619E	4025	" " " " " "
		Nut
249631	14983	Face Plate
217F	4025	" " Screw (2)
249846	14986	Feed Driving Gear with two 448c ..
249847	14986	" " " (intermediate) with two 457E
249850	14986	Feed Driving Gear (intermediate) Bracket
249635	14986	Feed Driving Gear (intermediate) Bracket Position Lever
1178D	14985	Feed Driving Gear (intermediate) Bracket Position Lever Clamping Screw
232131	14987	Feed Driving Gear (intermediate) Bracket Position Lever Clamping Screw Washer
249848	14986	Feed Driving Gear (intermediate) Pinion Shaft
249745	14986	Feed Driving Gear (intermediate) Pinion Shaft Collar with two 458c
458C	14987	Feed Driving Gear (intermediate) Pinion Shaft Collar Set Screw ..
249849	14986	Feed Driving Gear (intermediate) Pinion Shaft Eccentric Bushing..
249844	14987	Feed Driving Gear (intermediate) Pinion Shaft Eccentric Bushing Position Plate
161D	14985	Feed Driving Gear (intermediate) Pinion Shaft Eccentric Bushing Position Plate Screw
232719	14987	Feed Driving Gear (intermediate) Position Pin
457E	14987	Feed Driving Gear (intermediate) Set Screw
40025	14987	Feed Driving Gear Position Pin ..
448C	14987	" " " " Set Screw
39994	14988	" Hand Ratchet Lever
23414	15017	" " " " Collar with two 453c
453C	14989	Feed Hand Ratchet Lever Collar Set Screw
39995	14988	Feed Hand Ratchet Lever Pawl Body

Parts for Machine No. 71-142

No.	Plate	Name
39996	—	Feed Hand Ratchet Lever Pawl complete, Nos. 207E, 39523, 39995 and two 1049E
90D	14987	Feed Hand Ratchet Lever Pawl Hinge Screw
39523	14987	Feed Hand Ratchet Lever Pawl Point
1049E	14987	Feed Hand Ratchet Lever Pawl Point Position Screw
207E	14987	Feed Hand Ratchet Lever Pawl Point Screw
13218	14987	Feed Hand Ratchet Lever Pawl Spring
39997	14988	Feed Hand Ratchet Lever complete, Nos. 90D, 13218, 39994 and 39996
39924	14988	Feed Hand Ratchet Wheel with 460c
3012	14989	" " " " Pin
460C	14989	" " " " Set Screw
249638	15019	" Wheel with 249641 and two 220D, for $\frac{1}{2}$ to $\frac{1}{4}$ in. buttonholes
		Note: Feed Wheel 249638 is furnished with this machine unless 249886 is specified on order.
249886	15019	Feed Wheel with 249641 and two 220D, for $\frac{1}{2}$ to 1 in. buttonholes ..
201668E	14988	Feed Wheel Clamping Nut
249639	14983	" " Shaft
457C	14987	" " " Oil Hole Plug Screw
249640	14988	Feed Wheel Tripping Lever
350237C	14989	" " " " Hinge Screw
1620E	14989	Feed Wheel Tripping Lever Hinge Screw Nut
249868	14989	Feed Wheel Tripping Lever Point
203C	14989	" " " " " " Screw (2)
23435	14989	Feed Wheel Tripping Lever Spring
190D	14985	" " " " " " Screw
184E	14989	Feed Wheel Tripping Lever Stop Screw
249641	14989	Feed Wheel Tripping Point
220D	14989	" " " " " " Screw..
249642	14988	Intermittent Feed Wheel with two 350249E
249643	14988	Intermittent Feed Wheel Driving Bevel Gear with two 200E

Parts for Machine No. 71-142

No.	Plate	Name
249644	14988	Intermittent Feed Wheel Driving Bevel Gear Bracket
1396E	14989	Intermittent Feed Wheel Driving Bevel Gear Bracket Screw (2) ..
350230C	14989	Intermittent Feed Wheel Driving Bevel Gear Cap Screw
249645	14988	Intermittent Feed Wheel Driving Bevel Pinion with two 453c
40025	14987	Intermittent Feed Wheel Driving Bevel Pinion Position Pin
453C	14989	Intermittent Feed Wheel Driving Bevel Pinion Set Screw
201891	14989	Intermittent Feed Wheel Driving Roller
201985	14989	Intermittent Feed Wheel Driving Roller 201891 with 229D, 23389 and 249699 (2)
229D	14989	Intermittent Feed Wheel Driving Roller Cap Screw
23389	14989	Intermittent Feed Wheel Driving Roller Cap Screw Washer
249699	14989	Intermittent Feed Wheel Driving Roller Stud
200E	14989	Intermittent Feed Wheel Driving Roller Stud Set Screw
12546	14989	Intermittent Feed Wheel Position Pin
350249E	14989	Intermittent Feed Wheel Position Screw
249646	14988	Intermittent Feed Wheel Shaft
249738	14989	" " " " Collar
23443	—	Knife, $\frac{1}{4}$ inch
23444	—	" $\frac{5}{16}$ inch
23445	—	" $\frac{3}{8}$ inch
23446	—	" $\frac{7}{16}$ inch
23447	14989	" $\frac{1}{2}$ inch
23448	—	" $\frac{9}{16}$ inch
23449	—	" $\frac{3}{4}$ inch

Note: Knife 23449 is furnished with this machine unless another knife is specified on order.

23450	—	Knife, $\frac{1}{2}$ inch
23451	—	" $\frac{3}{4}$ inch
23452	—	" $\frac{1}{2}$ inch
23453	—	" $\frac{3}{4}$ inch
23454	—	" $\frac{1}{2}$ inch
23455	—	" 1 inch

Parts for Machine No. 71-142

No.	Plate	Name
23460	14988	Knife Bar
23461	14988	" " Connecting Link
1239D	14989	" " " " Hinge Cap Screw
1240C	14989	Knife Bar Connecting Link Hinge Screw
23462	14989	Knife Bar Connecting Stud with 1319F
1319F	14989	Knife Bar Connecting Stud Clamping Screw
249656	14988	Knife Bar Disengaging Lever with 1242E
249657	14988	Knife Bar Disengaging Lever Catch with 1963
249658	14988	Knife Bar Disengaging Lever Catch Bracket with 1242E and 238089 ..
238089	14989	Knife Bar Disengaging Lever Catch Bracket Position Pin
50416C	14989	Knife Bar Disengaging Lever Catch Hinge Screw
1547J	4009	Knife Bar Disengaging Lever Catch Hinge Screw Nut
1963	14989	Knife Bar Disengaging Lever Catch Roller and Stud
249659	14989	Knife Bar Disengaging Lever Catch Spring
1241E	14989	Knife Bar Disengaging Lever Catch Spring Screw Stud
23466	14989	Knife Bar Disengaging Lever Catch Tripping Point
249869	14989	Knife Bar Disengaging Lever Catch Tripping Point Collar with 175E, 756E, 23466, 249863 and two 448C ..
448C	14987	Knife Bar Disengaging Lever Catch Tripping Point Collar Set Screw
175E	14989	Knife Bar Disengaging Lever Catch Tripping Point Screw
90C	14987	Knife Bar Disengaging Lever Hinge Screw
1242E	14989	Knife Bar Disengaging Lever Screw Stud
249660	14989	Knife Bar Disengaging Lever Spring " " " " " "
1242E	14989	" " " " " " " " " " " "
249661	14983	Knife Bar Driving Lever
350281C	14989	" " " " " Hinge Screw
1428C	14991	" " " " " Screw Stud
1520J	14987	" " " " " " " "
		Nut

Parts for Machine No. 71-142

No.	Plate	Name
23681	14991	Knife Bar Driving Lever Spring
805c	14991	" " " " " "
		Screw
249662	14983	Knife Bar Driving Lever (intermediate)
144D	14991	Knife Bar Driving Lever (intermediate) Cap Screw
23471	14991	Knife Bar Driving Lever (intermediate) Connecting Link
54c	14991	Knife Bar Driving Lever (intermediate) Connecting Link Hinge Screw
350243c	14991	Knife Bar Driving Lever (intermediate) Hinge Screw Stud
201510c	11658	Knife Bar Driving Lever (intermediate) Hinge Screw Stud Nut ...
205634	14991	Knife Bar Driving Lever (intermediate) Hinge Screw Stud Washer
1959	14991	Knife Bar Driving Lever (intermediate) Roller and Screw Stud with 229D and 12424
229D	14989	Knife Bar Driving Lever (intermediate) Roller Cap Screw
12424	14991	Knife Bar Driving Lever (intermediate) Roller Cap Screw Washer
249737	14991	Knife Bar Spring
249663	14991	" " Stop
201714c	14991	" " " Lock Nut
249870	14991	" " " Plug (copper)
249664	—	Knife Bar Stop complete, Nos. 201714c, 249663 and 249870
249852	15018	Knife Holder
1243c	14991	" " Guide Stud
1608c	14991	" " " " Nut
157c	14991	" " Screw
1547j	4009	" " " Nut
191c	14982	" Screw
23390	14991	" " Washer
39857	14990	Needle Bar with 904r
23476	14993	" " Connecting Link with 794E
794E	14993	Needle Bar Connecting Link Adjusting Screw
1021E	14993	Needle Bar Connecting Link Cap Screw
39601	14993	Needle Bar Connecting Stud with 1341c

Parts for Machine No. 71-142

No.	Plate	Name
1341c	14993	Needle Bar Connecting Stud Set Screw
23477	14990	Needle Bar Crank with 858c, 1036c, 1065c and 1258c
1065c	4025	Needle Bar Crank Position Screw
858c	4025	" " " Set Screw
23478	14983	" " Frame with 4784
249666	14990	" " " Connection
350254r	14993	" " " " Cap Screw
50140r	14993	Needle Bar Frame Connection Hinge Screw
249667	14993	Needle Bar Frame Driving Gear
249671	14993	" " " " " " (intermediate) (large) with 235356
249672	14993	Needle Bar Frame Driving Gear (intermediate) (small)
249669	14990	Needle Bar Frame Driving Gear (intermediate) Bracket with 1149c
250397	14993	Needle Bar Frame Driving Gear (intermediate) Bracket Position Pin
129E	14993	Needle Bar Frame Driving Gear (intermediate) Bracket Screw (2)
201715c	14993	Needle Bar Frame Driving Gear (intermediate) Clamping Nut ...
235356	14993	Needle Bar Frame Driving Gear (intermediate) Pin
249670	14993	Needle Bar Frame Driving Gear (intermediate) Stud
1149c	14993	Needle Bar Frame Driving Gear (intermediate) Stud Set Screw ..
200068H	14993	Needle Bar Frame Driving Gear Screw (2)
23610	—	Needle Bar Frame Pitman (hinge screw end)
23609	—	Needle Bar Frame Pitman (regulator end)
190c	14985	Needle Bar Frame Pitman Adjusting Screw
7071	4008	Needle Bar Frame Pitman Adjusting Screw Washer
23611	14993	Needle Bar Frame Pitman (adjustable) complete, Nos. 23609, 23610, two each 190c and 7071
1042c	14993	Needle Bar Frame Pitman Hinge Screw
1547j	4009	Needle Bar Frame Pitman Hinge Screw Nut

Parts for Machine No. 71-142

No.	Plate	Name
249673	14993	Needle Bar Frame Regulator
1038c	14993	" " " " Adjust- ing Screw
1698c	14993	Needle Bar Frame Regulator Ad- justing Screw Nut
7070	4007	Needle Bar Frame Regulator Ad- justing Screw Sleeve
39504	14994	Needle Bar Frame Regulator Ad- justing Screw Washer
249668	14994	Needle Bar Frame Regulator Hinge Stud
446c	4025	Needle Bar Frame Regulator Hinge Stud Set Screw
673F	14994	Needle Bar Frame Screw Center ..
1517J	14994	" " " " " Nut
249851	14994	" Plate
404D	4007	" " Screw (2)
904F	14994	" Set Screw
249674	14990	" Vibrating Gear with two 350249E
12546	14989	Needle Vibrating Gear Position Pin
350249E	14989	" " " " Screw
39653	14990	Oscillating Rock Shaft
23494	14990	" " " " Hinge Pin with 23421
23421	—	Oscillating Rock Shaft Hinge Pin Oil Hole Plug (leather)
448c	14987	Oscillating Rock Shaft Hinge Pin Set Screw
39654	—	Oscillating Rock Shaft complete, Nos. 4784, 23494 and 39653
4784	—	Oscillating Rock Shaft Oil Pad
39655	14990	" Shaft
39656	4023	" " Bushing (back)
24047	14994	" " " (front)
249809	14994	" " " " Oil Tube (brass)
39657	—	Oscillating Shaft Crank
1253c	4023	" " " " Set Screw ..
39658	4023	Oscillating Shaft Crank complete, Nos. 1636E, 24050, 39657 and two 1253c
19448	14994	Oscillating Shaft Crank Slide Block
226D	14994	" " " " "
		Cap Screw
12424	14991	Oscillating Shaft Crank Slide Block Cap Screw Washer
1035c	14994	Oscillating Shaft Crank Slide Block Screw Stud

Parts for Machine No. 71-142

No.	Plate	Name
1636E	14994	Oscillating Shaft Crank Slide Block Screw Stud Nut
24050	—	Oscillating Shaft Crank Slide Block complete, Nos. 226D, 1035c, 12424 and 19448
249700	14990	Pulley (loose)
249747	14990	" " Bushing
249748	—	" " " Oil Packing (felt)
249702	14990	" (tight) with 454c
40025	14987	" " Pin (2)
454c	14994	" " Set Screw
23504	—	Shuttle, 1 1/4 in. diam., Nos. 23500, 23502 and 23503
23500	14995	Shuttle Bobbin
15141	—	" " Case Hinge, Nos. 2973, 2974 and 15140
15140	14995	Shuttle Bobbin Case Latch
2973	14995	" " " " " Lever
2974	14995	" " " " " "
		Fulcrum Pin
2975	14995	Shuttle Bobbin Case Latch Spring
592E	14995	" " " " " Stop Screw
*23501	—	Shuttle Bobbin Case Position Finger
2523	14995	" " " " " "
		Rivet
23502	—	Shuttle Bobbin Case complete, Nos. 591E, 592E, 2523, 2975, 15141, 23501 and 23680
23503	14978	Shuttle Body
23505	14995	" Driver with 462c
2269	14978	" " Pin
462c	14978	" " Set Screw
39969	14978	" Race Back
2532	14978	" " " Position Pin
2533	14995	" " " Spring
648D	14995	" " " " Screw
39979	—	" " Body
39980	14995	" " " 39979 with 7326, 39981, two each 391J and 662D ..
39982	14978	Shuttle Race complete, Nos. 648D, 2533, 39969, 39980 and two 2532 ..
7326	14978	Shuttle Race Cap
662D	14995	" " " Screw
39981	14978	" " Ring
391J	14995	" " " Screw
145F	14995	" " " Screw
591E	14978	" Tension Regulating Screw ..
23680	15017	" " Spring

Parts for Machine No. 71-142

No.	Plate	Name
249816	15019	Starting Lever
717c	14994	" " Adjusting Screw ...
1520j	14987	" " " " Nut
249704	14983	" " Bracket
8582	14985	" " " Dowel Pin (2)
123E	14994	" " " Screw
23511	14992	" " Rod
61c	14994	" " " Hinge Screw ..
564c	14994	" " Screw Center
58384	—	" " " " 564c with 1508E (2)
1508E	14994	Starting Lever Screw Center Nut..
23624	14994	" " Spring
39675	14994	" " " Collar with two 191c
191c	14982	Starting Lever Spring Collar Set Screw
202005	14994	Starting Lever Spring Washer
124F	14994	" " Stop Screw
1518j	4025	" " " " Nut
249675	—	Stitch Regulating Gear, 18 teeth ..
249677	—	" " " " 20 teeth ..
Note: No. 249677 is furnished with this machine unless another Stitch Regulat- ing Gear is specified on order.		
249679	14994	Stitch Regulating Gear, 24 teeth ..
249682	—	" " " 30 teeth ..
249725	—	" " " 36 teeth ..
249727	—	" " " 40 teeth ..
249744	—	" " " 45 teeth ..
201660c	14996	" " " Lock Nut..
249739	14996	" " " Pin
249705	14996	Stop Cam with two 202330
249706	14992	" " Gear
249707	14992	" " " Guard
164D	14996	" " " Screw (2)
249708	14992	" " " Stud
200522c	14996	" " " Set Screw
249741	14992	" " Interlocking Rod
249817	15017	" " " " Guide with 1070c and 1959
1070c	14996	Stop Cam Interlocking Rod Guide Set Screw
39988	—	Stop Cam Interlocking Rod Guide Washer (rawhide)
21651	14996	Stop Cam Interlocking Rod Spring
913c	14996	" " " " " " " Regulating Thumb Screw

Parts for Machine No. 71-142

No.	Plate	Name
1638E	14996	Stop Cam Interlocking Rod Spring Regulating Thumb Screw Nut ..
202330	—	Stop Cam Oil Packing (wick)
249742	14996	" " Spring (long)
249711	14992	" " " Cover
200108D	14996	" " " Screw (3) ...
871c	14996	" " " Stop Screw
249713	14996	" " " " " Block with 457c
457c	14987	Stop Cam Spring Stop Screw Block Set Screw
2102	15017	Tension (side of arm) Disc (2) ...
1560c	15017	" " " " " " Regu- lating Thumb Nut
23519	15017	Tension (side of arm) Disc Releaser with 200F
200F	14989	Tension (side of arm) Releaser Set Screw
23520	15017	Tension (side of arm) Releaser Shaft
23521	15017	Tension (side of arm) Releaser Shaft Arm
23694Y	15018	Tension (side of arm) Releaser Shaft Arm Connection
23695Y	15018	Tension (side of arm) Releaser Shaft Arm Connection Bracket ..
191c	14982	Tension (side of arm) Releaser Shaft Arm Connection Screw ...
39541	14987	Tension (side of arm) Releaser Shaft Arm Connection Screw Washer
232344	15018	Tension (side of arm) Releaser Shaft Arm Pin
1043c	15017	Tension (side of arm) Screw Stud
350060c	15017	" " " " " " " Set Screw
46387	—	Tension (side of arm) Spring
32012	14988	" (top cover) Disc (2)
1560c	15017	" " " Regulating Thumb Nut
249685	14998	Tension (top cover) Releaser
249689	15018	" " " " " (last side of buttonhole)
69F	15018	Tension (top cover) Releaser (last side of buttonhole) Hinge Screw
1387c	14998	Tension (top cover) Releaser Guide Screw Stud
1521E	14998	Tension (top cover) Releaser Guide Screw Stud Nut

Parts for Machine No. 71-142

No.	Plate	Name
249686	14998	Tension (top cover) Releaser Holder with 201F
999F	14998	Tension (top cover) Releaser Holder Hinge Screw
249690	15018	Tension (top cover) Releaser Holder Plate
350229E	14982	Tension (top cover) Releaser Holder Plate Screw
249687	14998	Tension (top cover) Releaser Rod
40043	14998	" " " " "
		Collar with 209c (2)
209c	14998	Tension (top cover) Releaser Rod Collar Set Screw
249800	14998	Tension (top cover) Releaser Rod Spring
201F	14998	Tension (top cover) Releaser Set Screw
32572	14998	Tension (top cover) Releasing Disc
39633	14998	" " " " Lever
249688	14998	" " " " "
		Connection
974F	14998	Tension (top cover) Releasing Lever Connection Screw (back)
940F	14998	Tension (top cover) Releasing Lever Connection Screw (front)
90F	14987	Tension (top cover) Releasing Lever Hinge Screw
39635	14998	Tension (top cover) Releasing Pin
1388c	14998	" " " Screw Stud
1664E	4007	" " " " Nut
8238	15017	" " " Spring
39636	14998	" " " Thread Eyelet (double)
217F	4025	Tension (top cover) Thread Eyelet Screw
249692	15018	Thread (upper) Guide
227D	15018	" " " Screw (2) ..
23669	15018	" Guide (side of arm) (lower)
460c	14989	" " " " "
		Set Screw
39711	4007	Thread Guiding Stud (side of arm)
460c	14989	" " " Set Screw
39712	4007	" Retainer Holder with 462c ..
1664E	4007	" " " Nut
12400	15018	" " Sleeve
39713	4007	" " Spring
12402	15018	" " Stud
462c	14978	" " " Set Screw

Parts for Machine No. 71-142

No.	Plate	Name
39714	---	Thread Retainer complete, Nos. 1664E, 12400, 12402, 39712 and 39713
23523	4023	Thread Take-up Crank
1036c	4023	" " " Position Screw
1258c	4023	Thread Take-up Crank Set Screw.
23524	4023	" " Lever
12166	4023	" " " Hinge Pin ...
23543	4023	" " " Link
11204	4023	" " " " Hinge Pin
435c	14985	" " " " " " "
		Set Screw
4784	---	Thread Take-up Lever Oil Pad ...
23525	---	Thread Take-up Lever complete Nos. 12166, 23524 and 23543
39652	4009	Thread Take-up Spring
39950	15018	" " " Regulator with 350060c
446c	4025	Thread Take-up Spring Regulator Set Screw

ACCESSORIES

No.	Plate	Name
249698	15018	Gauge, for setting length of button-hole, with 200137H and 249789 ..
Note: Gauge 249698 is furnished with this machine unless 249889 is specified on order.		
249889	—	Gauge, for setting length of button-hole, with 200137H and 249789, for use with Feed Wheel 249886
249789	15018	Gauge Chain and Ring
200137H	15009	" " " " Screw
23445	—	Knife, $\frac{3}{8}$ inch
23447	14989	" $\frac{1}{2}$ inch
23450	—	" $\frac{1}{16}$ inch
23500	14995	Shuttle Bobbin (5)
249675	—	Stitch Regulating Gear, 18 teeth ..
249679	—	" " " 24 teeth ..
249682	—	" " " 30 teeth ..
71 x 1	—	Needles, three each, sizes 14 and 16
23527	—	Drip Pan with two wood screws $\frac{1}{2}$ in., No. 5, R.H.B.
41401	15007	Machine Rest Pin (wood), 5 $\frac{1}{4}$ in. long
120346	4104	Oiler (copper plated) with 120347
120347	4104	" Spout, 9 in. long
11831	15007	Screw Driver (5 in. blade) (machine, large)
120088	—	Screw Driver Blade
120090	—	" " Handle
26026	15007	" " (machine, small), Nos. 120088 and 120090
*250521	—	Screw Driver Blade
*225483	—	" " Handle
250522	15007	Screw Driver (for needle set screw) complete, Nos. 225483 and 250521
249746	15007	Screw Driver, for Needle Bar Connecting Stud Set Screw
8909	15007	Wrench
10875	15007	"
21654	15007	"
23535	15007	"
42850	15007	"

Accessories

BOBBIN WINDER

No.	Plate	Name
249714	15008	Base with 27916 and two 28084
15072	4024	Bobbin Position Pin
27916	4024	Brake (leather)
28084	4024	" Rivet
249715	15008	Frame
50356D	15009	" Hinge Screw
1620J	14989	" " " Nut
249716	15009	" Spring
27918	15008	Pulley
27538	15009	Spindle with 15072, 27850 and 41828
*27850	—	" Collar
41828	—	" " Pin
249717	15008	Stop Latch
35D	4025	" " Hinge Screw
249696	15008	Tension Bracket with 452c
249697	—	Tension Bracket complete, Nos. 1620J, 5989, 10145, 27922, 249693 and 249696
2455	4024	Tension Disc
1562J	4024	" Regulating Thumb Nut
418D	4024	" Screw Stud
10141	4024	" Spring
10145	4024	" Thread Guide
5989	—	Tension complete, Nos. 418D, 1562J, 10141 and two 2455
27922	15008	Thread Eyelet Rod
452c	4025	" " " Set Screw
249693	14989	" Leader
1620J	14989	" " Lock Nut
249718	15008	Bobbin Winder complete, Nos. 35D, 1620J, 27538, 27918, 50356D and 249714 to 249717

IRON BASE

249721	—	Bed Frame with two each 16555, 19398, four each 158E, 24106, six 14010 and four wood screws $\frac{1}{4}$ in., No. 12
23528	15019	Bed Frame Clamp Lifting Arm Stop
162D	15018	" " " " " " " Screw (2)
24106	4024	Bed Frame Cushion (felt)
158E	4024	" " " Screw
19226	4024	" " Hinge Connection
19398	4024	" " " " " 19226 with 211E and 19397

Accessories

No.	Plate	Name
19397	4024	Bed Frame Hinge Connection Cap
211E	4024	" " " " "
		Screw
16555	4024	Bed Frame Hinge Plate
14010	4024	" " " " Rivet
249722	—	Splash Guard with 201655J
39912	4083	" " Hinge
200574E	11658	" " " Screw
201655J	11658	" " Locking Screw Wing Nut
249723	—	Bed Frame and Splash Guard complete, Nos. 249721, 249722, two 39912 and eight 200574E

TABLE BELT GUIDES

23536	4047	Guide with two 168E
168E	4025	" Set Screw
14229	4047	Bracket with 448c
23538	4047	Pulley
39708	4047	" Shaft with 858c
858c	4025	" " Oil Hole Plug Screw ..
448c	14987	" " Set Screw
39716	4047	Table Belt Guide (single, left) complete, Nos. 14229, 23536, 23538, 39708 and four wood screws 1½ in., No. 12, R.H.B.
39709	4047	Table Belt Guide (single, right) complete, Nos. 14229, 23536, 23538, 39708 and four wood screws 1½ in., No. 12, R.H.B.

THREAD UNWINDER

225325	14263	Spool Rest (for two spools) with 201018c
225388	14263	Spool Rest Rod
200383c	15009	" " " Set Screw
201018c	15009	" " Set Screw
202490	14263	" Stand with 200383c
225391	14263	Thread Guide
201696J	15009	" " Lock Nut
225324	14263	" " Rod with 208E and 225322
208E	4083	Thread Guide Rod Screw
225322	15009	" " Washer
225326	15009	" " Position Cup

Accessories

No.	Plate	Name
225396	14263	Thread Unwinder (for two spools) complete, Nos. 201696J, 202490, 225324 to 225326, 225388, two 225391 and three wood screws ¾ in., No. 12

TREADLE

14209	15019	Treadle
39569	15019	Chain, 45 in. long, with 39575 and 39576 (2)
39570	4047	Chain Guide Bracket
39571	4047	" " Pulley
1064D	4025	" " " Screw
39575	4024	" Hook (lower)
39576	4024	" " (upper)
39572	4047	Treadle Chain Guide complete, Nos. 39570, two each 1064D, 39571 and wood screws 1½ in., No. 12, R.H.B. (2)
23551	4024	Chain Screw Eye (2)
7585	15009	Shaft
14357	15019	Stand
14358	15019	Treadle complete, Nos. 7585, 14209, 14357 and two wood screws 1½ in., No. 12 (2)

KNIFE GRINDER

No.	Plate	Name
39886	—	Emery Wheel, 4 in. diameter
39887	4083	" " Driving Shaft
201510D	11658	" " " " Nut
204101	11658	" " " " "
		Washer
39888	4083	Emery Wheel Driving Shaft Oil Hole Cover
350068E	15009	Emery Wheel Driving Shaft Oil Hole Cover Screw
206963	11658	Emery Wheel Driving Shaft Pulley with two 200403c
200403c	11658	Emery Wheel Driving Shaft Pulley Set Screw
206969	—	Emery Wheel Washer (paper) ...
39889	15019	Knife Grinder Frame
39890	4086	" Holder (adjustable)
57C	4083	" " Hinge Screw
39891	4083	" " Indicator
203094	11658	" " " Position Pin ..
200165H	11658	" " " Screw
39892	4086	" " Slide Bracket with 200386c
201298c	11658	Knife Holder Slide Bracket Adjusting Screw
39893	4086	Knife Holder Slide Bracket Adjusting Screw Slide Plate
200577H	11658	Knife Holder Slide Bracket Adjusting Screw Slide Plate Screw ...
10249	4083	Knife Holder Slide Bracket Adjusting Screw Tension Spring
219F	4008	Knife Holder Slide Bracket Adjusting Screw Tension Spring Screw
200386c	11658	Knife Holder Slide Bracket Set Screw
39894	4086	Knife Holder Slide Bracket Shaft
206232	11658	" " " " "
		Collar with 201052c
201052c	11658	Knife Holder Slide Bracket Shaft Collar Set Screw
771D	4083	Knife Holder Thumb Screw
9525	4083	" " " " Washer
39895	4083	" Holding Spring
39896	4083	" " " Bracket
204264	11658	" " " " Position Pin

Knife Grinder

No.	Plate	Name
176D	4083	Knife Holding Spring Bracket Screw
204264	11658	" " " Position Pin ..
793D	4083	" " " Thumb Screw.
39897	4083	" Stop (adjustable)
208D	4083	" " Screw
39898	—	Knife Grinder complete, Nos. 57C, 176D, 208D, 219F, 771D, 793D, 9525, 10249, 39886 to 39897, 200165H, 201298c, 201510D, 203094, 204101, 206963, 350068E, two each 200577H, 204264, 206232, 206969 and three wood screws 1½ in., No. 12

MISCELLANEOUS PARTS

Used in conjunction with Thread Unwinder

60913	14263	Spool Weight with 60914
60914	—	" " Center Pin
225377	14263	" Wire, for small spools
27739	15007	Thread Cone (wood)

NUMERICAL LIST OF PARTS

No.	Name
125	Double Winder Stop Lever
126	Screw for 125
127	Clutch Carrier Connecting Rod
128	Clutch Carrier
129	Clutch Carrier Pin
130	Clutch Carrier Pin
131	Clutch Carrier Pin
132	Clutch Carrier Pin
133	Clutch Carrier Pin
134	Clutch Carrier Pin
135	Clutch Carrier Pin
136	Clutch Carrier Pin
137	Clutch Carrier Pin
138	Clutch Carrier Pin
139	Clutch Carrier Pin
140	Clutch Carrier Pin
141	Clutch Carrier Pin
142	Clutch Carrier Pin
143	Clutch Carrier Pin
144	Clutch Carrier Pin
145	Clutch Carrier Pin
146	Clutch Carrier Pin
147	Clutch Carrier Pin
148	Clutch Carrier Pin
149	Clutch Carrier Pin
150	Clutch Carrier Pin
151	Clutch Carrier Pin
152	Clutch Carrier Pin
153	Clutch Carrier Pin
154	Clutch Carrier Pin
155	Clutch Carrier Pin
156	Clutch Carrier Pin
157	Clutch Carrier Pin
158	Clutch Carrier Pin
159	Clutch Carrier Pin
160	Clutch Carrier Pin
161	Clutch Carrier Pin
162	Clutch Carrier Pin
163	Clutch Carrier Pin
164	Clutch Carrier Pin
165	Clutch Carrier Pin
166	Clutch Carrier Pin
167	Clutch Carrier Pin
168	Clutch Carrier Pin
169	Clutch Carrier Pin
170	Clutch Carrier Pin
171	Clutch Carrier Pin
172	Clutch Carrier Pin
173	Clutch Carrier Pin
174	Clutch Carrier Pin
175	Clutch Carrier Pin
176	Clutch Carrier Pin
177	Clutch Carrier Pin
178	Clutch Carrier Pin
179	Clutch Carrier Pin
180	Clutch Carrier Pin
181	Clutch Carrier Pin
182	Clutch Carrier Pin
183	Clutch Carrier Pin
184	Clutch Carrier Pin
185	Clutch Carrier Pin
186	Clutch Carrier Pin
187	Clutch Carrier Pin
188	Clutch Carrier Pin
189	Clutch Carrier Pin
190	Clutch Carrier Pin
191	Clutch Carrier Pin
192	Clutch Carrier Pin
193	Clutch Carrier Pin
194	Clutch Carrier Pin
195	Clutch Carrier Pin
196	Clutch Carrier Pin
197	Clutch Carrier Pin
198	Clutch Carrier Pin
199	Clutch Carrier Pin
200	Clutch Carrier Pin

NUMERICAL LIST OF PARTS

FOR

MACHINE

No. 71-142

198	Clutch Carrier Pin
199	Clutch Carrier Pin
200	Clutch Carrier Pin
201	Clutch Carrier Pin
202	Clutch Carrier Pin
203	Clutch Carrier Pin
204	Clutch Carrier Pin
205	Clutch Carrier Pin
206	Clutch Carrier Pin
207	Clutch Carrier Pin
208	Clutch Carrier Pin
209	Clutch Carrier Pin
210	Clutch Carrier Pin
211	Clutch Carrier Pin
212	Clutch Carrier Pin
213	Clutch Carrier Pin
214	Clutch Carrier Pin
215	Clutch Carrier Pin
216	Clutch Carrier Pin
217	Clutch Carrier Pin
218	Clutch Carrier Pin
219	Clutch Carrier Pin
220	Clutch Carrier Pin
221	Clutch Carrier Pin
222	Clutch Carrier Pin
223	Clutch Carrier Pin
224	Clutch Carrier Pin
225	Clutch Carrier Pin
226	Clutch Carrier Pin
227	Clutch Carrier Pin
228	Clutch Carrier Pin
229	Clutch Carrier Pin
230	Clutch Carrier Pin
231	Clutch Carrier Pin
232	Clutch Carrier Pin
233	Clutch Carrier Pin
234	Clutch Carrier Pin
235	Clutch Carrier Pin
236	Clutch Carrier Pin
237	Clutch Carrier Pin
238	Clutch Carrier Pin
239	Clutch Carrier Pin
240	Clutch Carrier Pin
241	Clutch Carrier Pin
242	Clutch Carrier Pin
243	Clutch Carrier Pin
244	Clutch Carrier Pin
245	Clutch Carrier Pin
246	Clutch Carrier Pin
247	Clutch Carrier Pin
248	Clutch Carrier Pin
249	Clutch Carrier Pin
250	Clutch Carrier Pin
251	Clutch Carrier Pin
252	Clutch Carrier Pin
253	Clutch Carrier Pin
254	Clutch Carrier Pin
255	Clutch Carrier Pin
256	Clutch Carrier Pin
257	Clutch Carrier Pin
258	Clutch Carrier Pin
259	Clutch Carrier Pin
260	Clutch Carrier Pin
261	Clutch Carrier Pin
262	Clutch Carrier Pin
263	Clutch Carrier Pin
264	Clutch Carrier Pin
265	Clutch Carrier Pin
266	Clutch Carrier Pin
267	Clutch Carrier Pin
268	Clutch Carrier Pin
269	Clutch Carrier Pin
270	Clutch Carrier Pin
271	Clutch Carrier Pin
272	Clutch Carrier Pin
273	Clutch Carrier Pin
274	Clutch Carrier Pin
275	Clutch Carrier Pin
276	Clutch Carrier Pin
277	Clutch Carrier Pin
278	Clutch Carrier Pin
279	Clutch Carrier Pin
280	Clutch Carrier Pin
281	Clutch Carrier Pin
282	Clutch Carrier Pin
283	Clutch Carrier Pin
284	Clutch Carrier Pin
285	Clutch Carrier Pin
286	Clutch Carrier Pin
287	Clutch Carrier Pin
288	Clutch Carrier Pin
289	Clutch Carrier Pin
290	Clutch Carrier Pin
291	Clutch Carrier Pin
292	Clutch Carrier Pin
293	Clutch Carrier Pin
294	Clutch Carrier Pin
295	Clutch Carrier Pin
296	Clutch Carrier Pin
297	Clutch Carrier Pin
298	Clutch Carrier Pin
299	Clutch Carrier Pin
300	Clutch Carrier Pin

NUMERICAL LIST OF PARTS

No.	Plate	Name
35D	4025	Bobbin Winder Stop Latch Hinge Screw, for 249718
52C	4007	Clamp Carrier Connecting Rod Hinge Screw
54C	14991	Knife Bar Driving Lever (intermediate) Connecting Link Hinge Screw
57C	4083	Knife Grinder Knife Holder Hinge Screw, for 39898
61C	14994	Starting Lever Rod Hinge Screw ..
67D	4008	Clamp Carrier Slide Lever Regulator Screw
69F	15018	Tension (top cover) Releaser (last side of buttonhole) Hinge Screw ..
90D	14987	Feed Hand Ratchet Lever Pawl Hinge Screw, for 39997
90C	14987	Knife Bar Disengaging Lever Hinge Screw
90F	14987	Tension (top cover) Releasing Lever Hinge Screw
123E	14994	Starting Lever Bracket Screw
124F	14994	" " Stop Screw
129E	14993	Needle Bar Frame Driving Gear (intermediate) Bracket Screw ..
144D	14991	Knife Bar Driving Lever (intermediate) Cap Screw
145F	14995	Shuttle Race Screw
157C	14991	Knife Holder Screw
158E	4024	Bed Frame Cushion Screw, for 249721
158E	4024	Belt Shifter Shaft Bracket Extension Screw
161D	14985	Bobbin Winder Base Screw
161D	14985	Feed Driving Gear (intermediate) Pinion Shaft Eccentric Bushing Position Plate Screw
162D	15018	Bed Frame Clamp Lifting Arm Stop Screw
164D	14996	Stop Cam Gear Guard Screw
168E	4025	Table Belt Guide Set Screw, for 23536

Numerical List of Parts

No.	Plate	Name
175E	14989	Knife Bar Disengaging Lever Catch Tripping Point Screw, for 249869
176D	4083	Knife Grinder Knife Holding Spring Bracket Screw, for 39898
178D	15017	Belt Shifter Shaft Bracket Stop Plate Screw
184E	14989	Feed Wheel Tripping Lever Stop Screw
190D	14985	Arm Side Cover Screw
190D	14985	" Top Cover Screw
190D	14985	Feed Wheel Tripping Lever Spring Screw
190C	14985	Needle Bar Frame Pitman Adjusting Screw, for 23611
191C	14982	Barring Point Screw
191C	14982	Belt Shifter Shaft Bracket Stop Screw
191C	14982	Clamp Arm Bracket Screw
191C	14982	Knife Screw
191C	14982	Starting Lever Spring Collar Set Screw, for 39675
191C	14982	Tension (side of arm) Releaser Shaft Arm Connection Screw
196F	4007	Clamp Arm Hinge Block Pin Set Screw, for 39584
200E	14989	Intermittent Feed Wheel Driving Roller Stud Set Screw, for 249643
200F	14989	Tension (side of arm) Releaser Set Screw, for 23519
201F	14998	Tension (top cover) Releaser Set Screw, for 249686
203C	14989	Feed Wheel Tripping Lever Point Screw
207E	14987	Feed Hand Ratchet Lever Pawl Point Screw, for 39996
208D	4083	Barring Shaft Guard Screw
208D	4083	Knife Grinder Knife Stop Screw, for 39898
208E	4083	Thread Unwinder Thread Guide Rod Screw, for 225324
209C	14998	Tension (top cover) Releaser Rod Collar Set Screw, for 40043
211E	4024	Bed Frame Hinge Connection Cap Screw, for 19398
212D	4066	Clamp Check Holder Hinge Cap Screw
217F	4025	Clamp Arm Bracket Guide (right) Screw

Numerical List of Parts

No.	Plate	Name
217F	4025	Face Plate Screw
217F	4025	Tension (top cover) Thread Eyelet Screw
219F	4008	Clamp Arm Bracket Guide (left) Screw
219F	4008	Knife Grinder Knife Holder Slide Bracket Adjusting Screw Tension Spring Screw, for 39898
220D	14989	Feed Wheel Tripping Point Screw, for 249638 and 249886
223D	4008	Barring Slide Operating Plate (adjustable) Screw
223D	4008	Clamp Carrier Slide Lever Regulator Cap Screw
226D	14994	Oscillating Shaft Crank Slide Block Cap Screw, for 24050
227D	15018	Thread (upper) Guide Screw
228D	14982	Barring Slide Operating Plate (stationary) Screw
229D	14989	Intermittent Feed Wheel Driving Roller Cap Screw, for 201985
229D	14989	Knife Bar Driving Lever (intermediate) Roller Cap Screw, for 1959
237F	4066	Belt Shifter Shaft Guide Collar Set Screw, for 249861
237F	4066	Clamp Check Holder Stop Screw
240D	14987	" Carrier Regulator Stud Stop Screw, for 249623
391L	14995	Shuttle Race Ring Screw, for 39980
402D	4007	Clamp Arm Screw
402D	4007	" Plate Support Screw
404D	4007	" Carrier Block Plate Screw, for 40006
404D	4007	Clamp Carrier Plate Screw (front)
404D	4007	Needle Plate Screw
418D	4024	Bobbin Winder Tension Screw Stud, for 5989
435C	14985	Arm Shaft Flanged Bushing (back) Set Screw
435C	14985	Thread Take-up Lever Link Hinge Pin Set Screw
446C	4025	Needle Bar Frame Regulator Hinge Stud Set Screw
446C	4025	Thread Take-up Spring Regulator Set Screw
448C	14987	Feed Driving Gear Set Screw, for 249846

Numerical List of Parts

No.	Plate	Name
448c	14987	Knife Bar Disengaging Lever Catch Tripping Point Collar Set Screw, for 249869
448c	14987	Oscillating Rock Shaft Hinge Pin Set Screw
448c	14987	Table Belt Guide Pulley Shaft Set Screw, for 14229
452c	4025	Barring Slide Stop Screw (adjustable) Set Screw, for 249611
452c	4025	Bobbin Winder Thread Eyelet Rod Set Screw, for 249696
453c	14989	Feed Hand Ratchet Lever Collar Set Screw, for 23414
453c	14989	Intermittent Feed Wheel Driving Bevel Pinion Set Screw, for 249645
454c	14994	Pulley (tight) Set Screw, for 249702
457E	14987	Feed Driving Gear (intermediate) Set Screw, for 249847
457c	14987	Feed Wheel Shaft Oil Hole Plug Screw
457c	14987	Stop Cam Spring Stop Screw Block Set Screw, for 249713
458c	14987	Feed Driving Gear (intermediate) Pinion Shaft Collar Set Screw, for 249745
460c	14989	Feed Hand Ratchet Wheel Set Screw, for 39924
460c	14989	Thread Guide (side of arm) (lower) Set Screw
460c	14989	Thread Guiding Stud Set Screw ..
462c	14978	Shuttle Driver Set Screw, for 23505
462c	14978	Thread Retainer Stud Set Screw, for 39712
564c	14994	Starting Lever Screw Center, for 58384
591F	14978	Shuttle Tension Regulating Screw, for 23502
592E	14995	Shuttle Bobbin Case Latch Stop Screw, for 23502
625F	4009	Clamp Arm Adjusting Screw
648D	14995	Shuttle Race Back Spring Screw, for 39982
662D	14995	Shuttle Race Cap Screw, for 39980
673F	14994	Needle Bar Frame Screw Center ..
704E	14982	Barring Slide Stop Attaching Screw
704E	14982	" " " Screw (adjustable)
717c	14994	Starting Lever Adjusting Screw ..

Numerical List of Parts

No.	Plate	Name
748E	4025	Arm Screw (back)
756E	14985	Belt Shifter Trip Point Screw, for 249869
756D	14985	Clamp Carrier Guide (left) Screw, for 39613
771D	4083	Knife Grinder Knife Holder Thumb Screw, for 39898
793D	4083	Knife Grinder Knife Holding Spring Thumb Screw, for 39898
794E	14993	Needle Bar Connecting Link Adjusting Screw, for 23476
805c	14991	Knife Bar Driving Lever Spring Screw
858c	4025	Needle Bar Crank Set Screw, for 23477
858c	4025	Table Belt Guide Pulley Shaft Oil Hole Plug Screw, for 39708
868E	4025	Arm Screw (front)
871c	14996	Stop Cam Spring Stop Screw
896E	4025	Crank Connecting Rod Cap Screw, for 24028
904F	14994	Needle Set Screw, for 39857
908c	4025	Crank Connecting Rod Hinge Screw
913c	14996	Stop Cam Interlocking Rod Spring Regulating Thumb Screw
914F	4008	Clamp Carrier Slide Guide Screw ..
940F	14998	Tension (top cover) Releasing Lever Connection Screw (front)
974F	14998	Tension (top cover) Releasing Lever Connection Screw (back)
999F	14998	Tension (top cover) Releaser Holder Hinge Screw
1021E	14993	Needle Bar Connecting Link Cap Screw
1035c	14994	Oscillating Shaft Crank Slide Block Screw Stud, for 24050
1036c	4023	Thread Take-up Crank Position Screw, for 23477
1038c	14993	Needle Bar Frame Regulator Adjusting Screw
1042c	14993	Needle Bar Frame Pitman Hinge Screw
1043c	15017	Tension (side of arm) Screw Stud ..
1049E	14987	Feed Hand Ratchet Lever Pawl Point Position Screw, for 39996 ..
1064D	4025	Treadle Chain Guide Pulley Screw, for 39572
1065c	4025	Needle Bar Crank Position Screw, for 23477

Numerical List of Parts

No.	Plate	Name
1070C	14996	Stop Cam Interlocking Rod Guide Set Screw, for 249817
1149C	14993	Needle Bar Frame Driving Gear (intermediate) Stud Set Screw, for 249669
1178D	14985	Face Driving Gear (intermediate) Bracket Position Lever Clamping Screw
1226E	14985	Belt Shifter Shaft Bracket Spring Screw Stud
1230F	4007	Clamp Carrier Guide (right) Screw
1231F	4007	" " Plate Screw (back) ..
1232C	4007	" " Regulator Hinge Screw
1234C	4008	" " Slide Regulating Stud
1235F	4009	Bed Oil Guard Screw
1235F	4009	Clamp Lifting Arm Screw
1235F	4009	" Plate Screw
1239D	14989	Knife Bar Connecting Link Hinge Cap Screw
1240C	14989	Knife Bar Connecting Link Hinge Screw
1241E	14989	Knife Bar Disengaging Lever Catch Spring Screw Stud
1242E	14989	Knife Bar Disengaging Lever Screw Stud, for 249656
1242E	14989	Knife Bar Disengaging Lever Spring Screw, for 249658
1243C	14991	Knife Holder Guide Stud
1253C	4023	Oscillating Shaft Crank Set Screw, for 39658
1256D	4008	Clamp Carrier Slide Screw
1258C	4023	Thread Take-up Crank Set Screw, for 23477
1294C	4009	Clamp Spring Bushing Position Stud
1296C	4066	" Check Screw
1296C	4066	" " Stop Screw
1319F	14989	Knife Bar Connecting Stud Clamping Screw, for 23462
1330C	14982	Barring Lever Spring Screw Stud
1341C	14993	Needle Bar Connecting Stud Set Screw, for 39601
1387C	14998	Tension (top cover) Releaser Guide Screw Stud
1388C	14998	Tension (top cover) Screw Stud ..
1396E	14989	Intermittent Feed Wheel Driving Bevel Gear Bracket Screw
1428C	14991	Knife Bar Driving Lever Screw Stud
1478C	14982	Barring Lever Hinge Screw

Numerical List of Parts

No.	Plate	Name
1508E	14994	Starting Lever Screw Center Nut, for 58384
1517J	14994	Needle Bar Frame Screw Center Nut
1518J	4025	Starting Lever Stop Screw Nut ...
1520J	14987	Clamp Carrier Regulator Roller and Screw Stud Nut, for 1960
1520J	14987	Clamp Carrier Slide Lever Roller and Screw Stud Nut, for 1960 ..
1520J	14987	Knife Bar Driving Lever Screw Stud Nut
1520J	14987	Starting Lever Adjusting Screw Nut
1521E	14998	Tension (top cover) Releaser Guide Screw Stud Nut
1547J	4009	Clamp Arm Adjusting Screw Nut ..
1547J	4009	Knife Bar Disengaging Lever Catch Hinge Screw Nut
1547J	4009	Knife Holder Screw Nut
1547J	4009	Needle Bar Frame Pitman Hinge Screw Nut
1550J	4009	Clamp Spring Bushing Position Stud Nut
1560C	15017	Tension (side of arm) Disc Regulating Thumb Nut
1560C	15017	Tension (top cover) Regulating Thumb Nut
1562J	4024	Bobbin Winder Tension Regulating Thumb Nut, for 5989
1607E	14982	Barring Slide Operating Plate Adjusting Screw Nut
1608C	14991	Knife Holder Guide Stud Nut
1619E	4025	Crank Connecting Rod Hinge Screw Nut
1620J	14989	Bobbin Winder Frame Hinge Screw Nut, for 249718
1620J	14989	Bobbin Winder Thread Leader Lock Nut, for 249697
1620E	14989	Feed Wheel Tripping Lever Hinge Screw Nut
1636E	14994	Oscillating Shaft Crank Slide Block Screw Stud Nut, for 39658
1638E	14996	Stop Cam Interlocking Rod Spring Regulating Thumb Screw Nut ..
1658C	4008	Clamp Carrier Slide Regulating Stud Thumb Nut
1659C	4009	Clamp Pressure Regulating Thumb Nut
1664E	4007	Tension (top cover) Screw Stud Nut
1664E	4007	Thread Retainer Holder Nut, for 39714

Numerical List of Parts

No.	Plate	Name
1671c	4009	Clamp Carrier Regulator Stud Nut
1698c	14993	Needle Bar Frame Regulator Adjusting Screw Nut
1959	14991	Knife Bar Driving Lever (intermediate) Roller and Screw Stud with 229b and 12424, for 249817..
1960	4007	Clamp Carrier Regulator Roller and Screw Stud with 1520j, for 249623
1960	4007	Clamp Carrier Slide Lever Roller and Screw Stud with 1520j, for 249625
1963	14989	Knife Bar Disengaging Lever Catch Roller and Stud, for 249657
2102	15017	Tension (side of arm) Disc
2269	14978	Belt Shifter Shaft Guide Collar Position Pin
2269	14978	Shuttle Driver Pin
2455	4024	Bobbin Winder Tension Disc, for 5989
2523	14995	Shuttle Bobbin Case Position Finger Rivet, for 23502
2532	14978	Shuttle Race Back Position Pin, for 39982
2533	14995	Shuttle Race Back Spring, for 39982
2973	14995	" Bobbin Case Latch Lever, for 15141
2974	14995	Shuttle Bobbin Case Latch Lever Fulcrum Pin, for 15141
2975	14995	Shuttle Bobbin Case Latch Spring, for 23502
3012	14989	Feed Hand Ratchet Wheel Pin
4784	---	Oscillating Rock Shaft Oil Pad, for 39654
4784	---	Thread Take-up Lever Oil Pad, for 23478
5989	---	Bobbin Winder Tension complete, Nos. 418b, 1562j, 10141 and two 2455, for 249697
7070	4007	Needle Bar Frame Regulator Adjusting Screw Sleeve
7071	4008	Needle Bar Frame Pitman Adjusting Screw Washer, for 23611
7278	4008	Clamp Carrier Slide Lever Socket Joint
7326	14978	Shuttle Race Cap, for 39980
7585	15009	Treadle Shaft, for 14358
8238	15017	Tension (top cover) Spring

Numerical List of Parts

No.	Plate	Name
8582	14985	Arm Dowel Pin
8582	14985	Starting Lever Bracket Dowel Pin
8909	15007	Wrench
9525	4083	Knife Grinder Knife Holder Thumb Screw Washer, for 39898
10141	4024	Bobbin Winder Tension Spring, for 5989
10145	4024	Bobbin Winder Tension Thread Guide, for 249697
10249	4083	Knife Grinder Knife Holder Slide Bracket Adjusting Screw Tension Spring, for 39898
10875	15007	Wrench
11204	4023	Thread Take-up Lever Link Hinge Pin
11831	15007	Screw Driver, 5 in. Blade (machine, large)
12166	4023	Thread Take-up Lever Hinge Pin, for 23525
12400	15018	Thread Retainer Sleeve, for 39714
12402	15018	" " Stud, for 39714
12424	14991	Knife Bar Driving Lever (intermediate) Roller Cap Screw Washer, for 1959
12424	14991	Oscillating Shaft Crank Slide Block Cap Screw Washer, for 24050
12546	14989	Intermittent Feed Wheel Position Pin
12546	14989	Needle Vibrating Gear Position Pin
13218	14987	Feed Hand Ratchet Lever Pawl Spring, for 39997
14010	4024	Bed Frame Hinge Plate Rivet, for 249721
14209	15019	Treadle, for 14358
14229	4047	Table Belt Guide Bracket with 448c, for 39716 and 39709
14357	15019	Treadle Stand, for 14358
14358	15019	Treadle complete, Nos. 7585, 14209, 14357 and two wood screws 1 1/2 in., No. 12
15072	4024	Bobbin Winder Bobbin Position Pin, for 27538
15140	14995	Shuttle Bobbin Case Latch, for 15141
15141	---	Shuttle Bobbin Case Hinge, Nos. 2973, 2974 and 15140, for 23502
16555	4024	Bed Frame Hinge Plate, for 249721
19226	4024	" " " Connection, for 19398

Numerical List of Parts

No.	Plate	Name
19397	4024	Bed Frame Hinge Connection Cap, for 19398
19398	—	Bed Frame Hinge Connection 19226 with 211e and 19397, for 249721..
19448	14994	Oscillating Shaft Crank Slide Block, for 24050
21651	14996	Stop Cam Interlocking Rod Spring
21654	15007	Wrench
23379Y	4007	Clamp Arm Hinge Block
23380	4007	" " " " Pin
23384	4007	" Carrier Connecting Rod
23385	15017	" " Guide (right)
23389	14989	Intermittent Feed Wheel Driving Roller Cap Screw Washer, for 201985
23390	14991	Knife Screw Washer
23392	4008	Clamp Carrier Slide Guide (left) ..
23393	4008	" " " " (right)..
23395	14987	" " " Lever Regulator
23396	4008	" " " " " " Cap
23397	4008	Clamp Carrier Slide Regulating Stud Bushing
23404	4009	Clamp Spring
23414	15017	Feed Hand Ratchet Lever Collar with two 453c
23421	—	Oscillating Rock Shaft Hinge Pin Oil Hole Plug (leather), for 23494
23435	14989	Feed Wheel Tripping Lever Spring
23443	—	Knife, $\frac{1}{4}$ inch
23444	—	" $\frac{5}{16}$ inch
23445	—	" $\frac{3}{8}$ inch
23446	—	" $\frac{7}{16}$ inch
23447	14989	" $\frac{1}{2}$ inch
23448	—	" $\frac{5}{8}$ inch
23449	—	" $\frac{3}{4}$ inch
23450	—	" $\frac{7}{8}$ inch
23451	—	" 1 inch
23452	—	" $1\frac{1}{8}$ inch
23453	—	" $1\frac{1}{4}$ inch
23454	—	" $1\frac{3}{8}$ inch
23455	—	" 1 inch
23460	14988	" Bar
23461	14988	" " Connecting Link
23462	14989	" " " Stud with 1319F
23466	14989	" " Disengaging Lever Catch Tripping Point, for 249869

Numerical List of Parts

No.	Plate	Name
23471	14991	Knife Bar Driving Lever (intermediate) Connecting Link
23476	14993	Needle Bar Connecting Link with 794E
23477	14990	Needle Bar Crank with 858c, 1036c, 1065c and 1258c
23478	14983	Needle Bar Frame with 4784
23494	14990	Oscillating Rock Shaft Hinge Pin with 23421, for 39654
23500	14995	Shuttle Bobbin, for 23504
23501	—	" " Case Position Finger, for 23502
23502	—	Shuttle Bobbin Case complete, Nos. 591E, 592E, 2523, 2975, 15141, 23501 and 23680, for 23504
23503	14978	Shuttle Body, for 23504
23504	—	" $1\frac{1}{4}$ in. diam., Nos. 23500, 23502 and 23503
23505	14995	Shuttle Driver with 462c
23511	14992	Starting Lever Rod
23519	15017	Tension (side of arm) Disc Releaser with 200E
23520	15017	Tension (side of arm) Releaser Shaft
23521	15017	Tension (side of arm) Releaser Shaft Arm
23523	4023	Thread Take-up Crank
23524	4023	" " Lever, for 23525
23525	—	Thread Take-up Lever complete, Nos. 12166, 23524 and 23543
23527	—	Drip Pan with two wood screws $\frac{1}{2}$ in., No. 5. R.H.B.
23528	15019	Bed Frame Clamp Lifting Arm Stop
23535	15007	Wrench
23536	4047	Table Belt Guide with two 168E, for 39716 and 39709
23538	4047	Table Belt Guide Pulley, for 39716 and 39709
23543	4023	Thread Take-up Lever Link, for 23525
23551	4024	Treadle Chain Screw Eye
23573	14986	Clamp Plate Support
23574	4009	" Post
23609	—	Needle Bar Frame Pitman (regulator end), for 23611
23610	—	Needle Bar Frame Pitman (hinge screw end), for 23611

Numerical List of Parts

No.	Plate	Name
23611	14993	Needle Bar Frame Pitman (adjustable) complete, Nos. 23609, 23610, two each 190c and 7071
23624	14994	Starting Lever Spring
23669	15018	Thread Guide (side of arm) (lower)
23680	15017	Shuttle Tension Spring, for 23502..
23681	14991	Knife Bar Driving Lever Spring ..
23693y	4009	Clamp Spring Bushing
23694y	15018	Tension (side of arm) Releaser Shaft Arm Connection
23695y	15018	Tension (side of arm) Releaser Shaft Arm Connection Bracket..
24028	14986	Crank Connecting Rod with 24085 and two 896E
24047	14994	Oscillating Shaft Bushing (front)..
24050	—	Oscillating Shaft Crank Slide Block complete, Nos. 226D, 1035c, 12424 and 19448, for 39658
*24081	—	Arm Shaft Bushing (front), for 249601
*24085	—	Crank Connecting Rod Cap, for 24028
24106	4024	Bed Frame Cushion (felt), for 249721
26026	15007	Screw Driver (machine, small), Nos. 120088 and 120090
27538	15008	Bobbin Winder Spindle with 15072, 27850 and 41828, for 249718
27739	15007	Thread Cone (wood)
*27850	—	Bobbin Winder Spindle Collar, for 27538
27916	4024	Bobbin Winder Brake (leather), for 249714
27918	15008	Bobbin Winder Pulley, for 249718 ..
27922	15008	" " Thread Eyelet Rod, for 249697
28084	4024	Bobbin Winder Brake Rivet, for 249714
32012	14998	Tension (top cover) Disc
32572	14998	" " " Releasing Disc ..
39504	14994	Needle Bar Frame Regulator Adjusting Screw Washer
39523	14987	Feed Hand Ratchet Lever Pawl Point, for 39996
39532	4009	Clamp Carrier Regulator Stud Sleeve
39541	14987	Clamp Arm Bracket Screw Washer

Numerical List of Parts

No.	Plate	Name
39541	14987	Tension (side of arm) Releaser Shaft Arm Connection Screw Washer
39549y	15019	Clamp Lifting Arm
39569	15019	Treadle Chain, 45 in. long, with 39575 and 39576
39570	4047	Treadle Chain Guide Bracket, for 39572
39571	4047	Treadle Chain Guide Pulley, for 39572
39572	4047	Treadle Chain Guide complete, Nos. 39570, two each 1064D, 39571 and wood screws 1 1/2 in., No. 12, R.H.B.
39575	4024	Treadle Chain Hook (lower), for 39569
39576	4024	Treadle Chain Hook (upper), for 39569
39583	14987	Clamp Carrier Regulator Stud Stop, for 249623
39584y	14984	Clamp Arm Bracket with 196E
39591	14987	" Carrier Guide (left), for 39613
39601	14993	Needle Bar Connecting Stud with 1341c
39613	15019	Clamp Carrier Slide with 39591 and three 756D
39620	14984	Arm Side Cover
39633	14998	Tension (top cover) Releasing Lever
39635	14998	Tension (top cover) Releasing Pin
39636	14998	" " " Thread Eyelet (double)
39647y	4066	Clamp Arm
39650	4066	" Check Holder, for use with 249815
39652	4009	Thread Take-up Spring
39653	14990	Oscillating Rock Shaft, for 39654 ..
39654	—	Oscillating Rock Shaft complete, Nos. 4784, 23494 and 39653
39655	14990	Oscillating Shaft
39656	4023	" " Bushing (back) ..
39657	—	" " Crank, for 39658..
39658	4023	Oscillating Shaft Crank complete, Nos. 1636E, 24050, 39657 and two 1253c
39675	14994	Starting Lever Spring Collar with two 191c
39707	15017	Clamp Check Holder (for use with 249884)

Numerical List of Parts

No.	Plate	Name
39708	4047	Table Belt Guide Pulley Shaft with 858c, for 39716 and 39709
39709	4047	Table Belt Guide (single, right) complete, Nos. 14229, 23536, 23538, 39708 and four wood screws 1 1/2 in., No. 12, R.H.B.
39711	4007	Thread Guiding Stud (side of arm)
39712	4007	" Retainer Holder with 462c, for 39714
39713	4007	Thread Retainer Spring, for 39714
39714	—	Thread Retainer complete, Nos. 1664E, 12400, 12402, 39712 and 39713
39715y	4066	Clamp Check Holder Stop Screw Washer
39716	4047	Table Belt Guide (single, left) complete, Nos. 14229, 23536, 23538, 39708 and four wood screws 1 1/2 in., No. 12, R.H.B.
39857	14990	Needle Bar with 904F
		Nos. 39886 to 39897, for 39898
39886	—	Knife Grinder Emery Wheel, 4 in. diameter
39887	4083	Knife Grinder Emery Wheel Driving Shaft
39888	4083	Knife Grinder Emery Wheel Driving Shaft Oil Hole Cover
39889	15019	Knife Grinder Frame
39890	4086	" " Knife Holder (adjustable)
39891	4083	Knife Grinder Knife Holder Indicator
39892	4086	Knife Grinder Knife Holder Slide Bracket with 200386c
39893	4086	Knife Grinder Knife Holder Slide Bracket Adjusting Screw Slide Plate
39894	4086	Knife Grinder Knife Holder Slide Bracket Shaft
39895	4083	Knife Grinder Knife Holding Spring
39896	4083	" " " " " Bracket
39897	4083	Knife Grinder Knife Stop (adjustable)

Numerical List of Parts

No.	Plate	Name
39898	—	Knife Grinder complete, Nos. 57c, 176b, 208b, 219c, 771b, 793b, 9525, 10249, 39886 to 39897, 200165b, 201298c, 201510b, 203094, 204101, 206963, 350068E, two each 200577b, 204264, 206232, 206969 and three wood screws 1 1/2 in., No. 12
39912	4083	Splash Guard Hinge, for 249723 ...
39924	14984	Feed Hand Ratchet Wheel with 460c
39950	15018	Thread Take-up Spring Regulator with 350060c
39954	14984	Clamp Carrier
39969	14978	Shuttle Race Back, for 39982
39979	—	" " Body, for 39980
39980	14995	" " " 39979 with 7326, 39981, two each 391a and 662b, for 39982
39981	14978	Shuttle Race Ring, for 39980
39982	14978	Shuttle Race complete, Nos. 648b, 2533, 39969, 39980 and two 2532 ..
39988	—	Stop Cam Interlocking Rod Guide Washer (rawhide)
39994	14988	Feed Hand Ratchet Lever, for 39997
39995	14988	" " " " Pawl Body, for 39996
39996	—	Feed Hand Ratchet Lever Pawl complete, Nos. 207E, 39523, 39995 and two 1049E, for 39997
39997	14988	Feed Hand Ratchet Lever complete, Nos. 90b, 13218, 39994 and 39996
40003y	14987	Clamp Arm Bracket Guide (left) ..
40004y	14987	" " " " (right) ..
40006	14987	" Carrier Block with 40007 and four 404b
40007	14987	Clamp Carrier Block Plate, for 40006
40020y	14983	" Plate
40025	14987	Feed Driving Gear Position Pin ...
40025	14987	Intermittent Feed Wheel Driving Bevel Pinion Position Pin
40025	14987	Pulley (tight) Pin
40043	14998	Tension (top cover) Releaser Rod Collar with 209c
41401	15007	Machine Rest Pin (wood), 5 1/2 in. long
41828	—	Bobbin Winder Spindle Collar Pin, for 27538
42850	15007	Wrench
46387	—	Tension (side of arm) Spring

Numerical List of Parts

No.	Plate	Name
50140F	14993	Needle Bar Frame Connection Hinge Screw
50356D	15009	Bobbin Winder Frame Hinge Screw, for 249718
50416C	14989	Knife Bar Disengaging Lever Catch Hinge Screw
51047E	14985	Belt Shifter Shaft Bracket Extension Pinch Screw, for 249858
58384	—	Starting Lever Screw Center 564C with 1508E
60913	14263	Thread Unwinder Spool Weight with 60914
60914	—	Thread Unwinder Spool Weight Center Pin, for 60913
120088	—	Screw Driver Blade, for 26026
120090	—	" Handle, for 26026
120346	4104	Oiler (copper plated) with 120347 ..
120347	4104	" Spout (9 in. long), for 120346 ..
200068H	14993	Needle Bar Frame Driving Gear Screw
200108D	14996	Stop Cam Spring Cover Screw
200137H	15009	Gauge Chain and Ring Screw, for 249698 and 249889
200165H	11658	Knife Grinder Knife Holder Indicator Screw, for 39898
200383C	15009	Thread Unwinder Spool Rest Rod Set Screw, for 202490
200386C	11658	Knife Grinder Knife Holder Slide Bracket Set Screw, for 39892
200403C	11658	Knife Grinder Emery Wheel Driving Shaft Pulley Set Screw, for 206963
200502B	14985	Arm Shaft Bushing Oil Packing Thumb Screw
200522C	14996	Stop Cam Gear Stud Set Screw ...
200574E	11658	Splash Guard Hinge Screw, for 249723
200577H	11658	Knife Grinder Knife Holder Slide Bracket Adjusting Screw Slide Plate Screw, for 39898
201018C	15009	Thread Unwinder Spool Rest Set Screw, for 225325
201052C	11658	Knife Grinder Knife Holder Slide Bracket Shaft Collar Set Screw, for 206232
201298C	11658	Knife Grinder Knife Holder Slide Bracket Adjusting Screw, for 39898

Numerical List of Parts

No.	Plate	Name
201510D	11658	Knife Grinder Emery Wheel Driving Shaft Nut, for 39898
201510C	11658	Knife Bar Driving Lever Hinge Screw Stud Nut
201655J	11658	Splash Guard Locking Screw Wing Nut, for 249722
201660C	14996	Stitch Regulating Gear Lock Nut...
201668E	14988	Feed Wheel Clamping Nut
201696J	15009	Thread Unwinder Thread Guide Lock Nut, for 225396
201713C	14982	Barring Shaft Adjusting Lock Nut
201714C	14991	Knife Bar Stop Lock Nut, for 249664
201715C	14993	Needle Bar Frame Driving Gear (intermediate) Clamping Nut ..
201891	14989	Intermittent Feed Wheel Driving Roller, for 201985
201985	14989	Intermittent Feed Wheel Driving Roller 201891 with 229D, 23389 and 249699
202005	14994	Starting Lever Spring Washer
202260	—	Arm Shaft Bushing Oil Packing (wick)
202330	—	Stop Cam Oil Packing (wick), for 249705
202490	14263	Thread Unwinder Spool Stand with 200383C, for 225396
203094	11658	Knife Grinder Knife Holder Indicator Position Pin, for 39898
204101	11658	Knife Grinder Emery Wheel Driving Shaft Nut Washer, for 39898
204264	11658	Knife Grinder Knife Holding Spring Bracket Position Pin, for 39898...
204264	11658	Knife Grinder Knife Holding Spring Position Pin, for 39898
205634	14991	Knife Bar Driving Lever (intermediate) Hinge Screw Stud Washer
206232	11658	Knife Grinder Knife Holder Slide Bracket Shaft Collar with 201052C, for 39898
206963	11658	Knife Grinder Emery Wheel Driving Shaft Pulley with 200403C, for 39898
206969	—	Knife Grinder Emery Wheel Washer (paper), for 39898
225322	15009	Thread Unwinder Thread Guide Rod Washer, for 225324

Numerical List of Parts

No.	Plate	Name
Nos. 225324 to 225326, for 225396		
225324	14263	Thread Unwinder Thread Guide Rod with 208E and 225322
225325	14263	Thread Unwinder Spool Rest (for two spools) with 201018c
225326	15009	Thread Unwinder Thread Guide Position Cup
225377	14263	Thread Unwinder Spool Wire, for small spools
225388	14263	Thread Unwinder Spool Rest Rod, for 225396
225391	14263	Thread Unwinder Thread Guide, for 225396
225396	14263	Thread Unwinder (for two spools) complete, Nos. 201696J, 202490, 225324 to 225326, 225388, two 225391 and three wood screws $\frac{3}{4}$ in., No. 12
*225483	—	Screw Driver Handle, for 250522 ..
232131	14987	Feed Driving Gear (intermediate) Bracket Position Lever Clamping Screw Washer
232344	15018	Tension (side of arm) Releaser Shaft Arm Pin
232719	14987	Feed Driving Gear (intermediate) Position Pin
235356	14993	Needle Bar Frame Driving Gear (intermediate) Pin, for 249671 ..
238089	14989	Knife Bar Disengaging Lever Catch Bracket Position Pin, for 249658
*249601	—	Arm with 24081
249602	14983	" Shaft
249604	14983	" Top Cover (left)
249605	14983	" " " (right)
249606	14984	Barring Lever
249607	14982	" " Spring
249608	15017	" Plate (1st bar)
249610	14982	" Point
249611	14982	" Shaft with 452c
249612	14982	" " Guard
249613	14982	" Slide
249614	14982	" " Operating Plate (stationary)
249615	14982	Barring Slide Operating Rod
249616	14982	" " " " Stud
249619	14982	" " Stop
*249620	—	Bed

Numerical List of Parts

No.	Plate	Name
249622	14984	Arm Shaft Flanged Bushing (back)
249623	14984	Clamp Carrier Regulator with 240b, 1960 and 39583
249625	14986	Clamp Carrier Slide Lever with 1960
249631	14983	Face Plate
249635	14986	Feed Driving Gear (intermediate) Bracket Position Lever
249638	15019	Feed Wheel with 249641 and two 220b, for $\frac{3}{8}$ to $\frac{1}{2}$ in. buttonholes
249639	14983	Feed Wheel Shaft
249640	14988	" " Tripping Lever
249641	14989	" " " Point, for 249638 and 249886
249642	14988	Intermittent Feed Wheel with two 350249E
249643	14988	Intermittent Feed Wheel Driving Bevel Gear with two 200E
249644	14988	Intermittent Feed Wheel Driving Bevel Gear Bracket
249645	14988	Intermittent Feed Wheel Driving Bevel Pinion with two 453c
249646	14988	Intermittent Feed Wheel Shaft ..
249655	15019	Belt Shifter Shaft Bracket Stop Plate
249656	14988	Knife Bar Disengaging Lever with 1242E
249657	14988	Knife Bar Disengaging Lever Catch with 1963
249658	14988	Knife Bar Disengaging Lever Catch Bracket with 1242E and 238089 ..
249659	14989	Knife Bar Disengaging Lever Catch Spring
249660	14989	Knife Bar Disengaging Lever Spring
249661	14983	" " Driving Lever
249662	14983	" " " " (intermediate)
249663	14991	Knife Bar Stop, for 249664
249664	—	Knife Bar Stop complete, Nos. 201714c, 249663 and 249870
249666	14990	Needle Bar Frame Connection
249667	14993	" " " Driving Gear
249668	14994	" " " Regulator Hinge Stud
249669	14990	Needle Bar Frame Driving Gear (intermediate) Bracket with 1149c
249670	14993	Needle Bar Frame Driving Gear (intermediate) Stud
249671	14993	Needle Bar Frame Driving Gear (intermediate) (large) with 235356

Numerical List of Parts

No.	Plate	Name
249672	14993	Needle Bar Frame Driving Gear (intermediate) (small)
249673	14993	Needle Bar Frame Regulator
249674	14990	" Vibrating Gear with two 350249E
249675	—	Stitch Regulating Gear, 18 teeth ..
249677	—	" " " 20 teeth ..
249679	14994	" " " 24 teeth ..
249682	—	" " " 30 teeth ..
249685	14998	Tension (top cover) Releaser
249686	14998	" " " " Holder with 201F
249687	14998	Tension (top cover) Releaser Rod ..
249688	14998	" " " Releasing Lever Connection
249689	15018	Tension (top cover) Releaser (last side of buttonhole)
249690	15018	Tension (top cover) Releaser Holder Plate
249692	15018	Thread (upper) Guide
249693	14989	Bobbin Winder Thread Leader, for 249697
249696	15008	Bobbin Winder Tension Bracket with 452c, for 249697
249697	—	Bobbin Winder Tension Bracket complete, Nos. 1620J, 5989, 10145, 27922, 249693 and 249696
249698	15018	Gauge, for setting length of buttonhole, with 200137H and 249789 ..
249699	14989	Intermittent Feed Wheel Driving Roller Stud, for 201985
249700	14990	Pulley (loose)
249702	14990	" (tight) with 454c
249704	14983	Starting Lever Bracket
249705	14996	Stop Cam with two 202330
249706	14992	" " Gear
249707	14992	" " " Guard
249708	14992	" " " Stud
249711	14992	" " Spring Cover
249713	14996	" " " Stop Screw Block with 457c
249714	15008	Bobbin Winder Base with 27916 and two 28084, for 249718
249715	15008	Bobbin Winder Frame, for 249718 ..
249716	15009	" " " Spring, for 249718
249717	15008	Bobbin Winder Stop Latch, for 249718

Numerical List of Parts

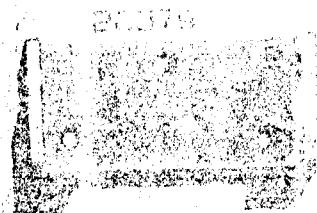
No.	Plate	Name
249718	15008	Bobbin Winder complete, Nos. 35D, 1620J, 27538, 27918, 50356D and 249714 to 249717
249721	—	Bed Frame with two each 16555, 19398, four each 158E, 24106, six 14010 and four wood screws 14 in., No. 12, for 249723
249722	—	Splash Guard with 201655J, for 249723
249723	—	Bed Frame and Splash Guard complete, Nos. 249721, 249722, two 39912 and eight 200574E
249725	—	Stitch Regulating Gear, 36 teeth ..
249727	—	" " " 40 teeth ..
249733	14986	Clamp Carrier Regulator Slide
249737	14991	Knife Bar Spring
249738	14989	Intermittent Feed Wheel Shaft Collar
249739	14996	Stitch Regulating Gear Pin
249740	14982	Barring Slide Operating Plate (adjustable)
249741	14992	Stop Cam Interlocking Rod
249742	14996	" " Spring (long)
249744	—	Stitch Regulating Gear, 45 teeth ..
249745	14986	Feed Driving Gear (intermediate) Pinion Shaft Collar with two 458c ..
249746	15007	Screw Driver, for Needle Bar Connecting Stud Set Screw
249747	14990	Pulley (loose) Bushing
249748	—	" " " Oil Packing (felt)
249753	14983	Clamp Carrier Plate
249789	15018	Gauge Chain and Ring, for 249698 and 249889
249800	14998	Tension (top cover) Releaser Rod Spring
249801	15017	Barring Plate (2nd bar)
249809	14994	Oscillating Shaft Bushing (front) Oil Tube (brass)
249814	15019	Bed Oil Guard with 249883
249815	15017	Clamp Check, for $\frac{3}{4}$ to 1 in. buttonholes
249816	15019	Starting Lever
249817	15017	Stop Cam Interlocking Rod Guide with 1070c and 1959
249844	14987	Feed Driving Gear (intermediate) Pinion Shaft Eccentric Bushing Position Plate

Numerical List of Parts

No.	Plate	Name
249846	14986	Feed Driving Gear with two 448c ..
249847	14986	" " " (Intermediate) with two 457E
249848	14986	Feed Driving Gear (Intermediate) Pinion Shaft
249849	14986	Feed Driving Gear (Intermediate) Pinion Shaft Eccentric Bushing..
249850	14986	Feed Driving Gear (Intermediate) Bracket
249851	14994	Needle Plate
249852	15018	Knife Holder
249853	14985	Belt Shifter with 350287c
249854	14985	" " Operating Collar with 350287c
249855	14985	Belt Shifter Operating Rod
249856	14984	" " Shaft
249857	14984	" " " Bracket
249858	14984	" " " Extension with 51047E
249859	14985	Belt Shifter Shaft Bracket Spring..
249860	14985	" " " " Stop
249861	14985	" " " Guide Collar with 237F
249862	14985	Belt Shifter Shaft Spring
249863	14985	" " Trip Point, for 249869..
249864	14985	" " " Stud
249868	14989	Feed Wheel Tripping Lever Point..
249869	14990	Knife Bar Disengaging Lever Catch Tripping Point Collar with 175E, 756E, 23466, 249863 and two 448c
249870	14991	Knife Bar Stop Plug (copper), for 249664
249883	14985	Bed Oil Guard Oil Tube (brass), for 249814
249884	15017	Clamp Check, for $\frac{1}{2}$ to $\frac{1}{4}$ in. button- holes
249886	15019	Feed Wheel with 249641 and two 220D, for $\frac{1}{2}$ to 1 in. buttonholes ..
249889	—	Gauge, for setting length of button- hole, with 200137H and 249789, for use with Feed Wheel 249886
250397	14993	Needle Bar Frame Driving Gear (Intermediate) Bracket Position Pin
250521	—	Screw Driver Blade, for 250522 ...
250522	15007	" " (for needle set screw) complete, Nos. 225483 and 250521
350060c	15017	Tension (side of arm) Screw Stud Set Screw, for 39950

Numerical List of Parts

No.	Plate	Name
350068E	15009	Knife Grinder Emery Wheel Driv- ing Shaft Oil Hole Cover Screw, for 39898
350076c	14987	Clamp Carrier Regulator Stud (to regulate length of buttonhole) ..
350229E	14982	Barring Plate Screw
350229E	14982	Tension (top cover) Releaser Hol- der Plate Screw
350230c	14989	Intermittent Feed Wheel Driving Bevel Gear Cap Screw
350237c	14989	Feed Wheel Tripping Lever Hinge Screw
350243c	14991	Knife Bar Driving Lever (interme- diate) Hinge Screw Stud
350249E	14989	Intermittent Feed Wheel Position Screw, for 249642
350249E	14989	Needle Vibrating Gear Position Screw, for 249674
350253c	14982	Barring Slide Operating Plate Ad- justing Screw
350254E	14993	Needle Bar Frame Connection Cap Screw
350281c	14989	Knife Bar Driving Lever Hinge Screw
350287c	14985	Belt Shifter Operating Collar Set Screw, for 249854
350287c	14985	Belt Shifter Operating Rod Set Screw
350287c	14985	Belt Shifter Set Screw, for 249853..
350288c	14985	" " Shaft Bracket Hinge Screw
350292D	14985	Arm Shaft Screw



2379

196

2380

23712

1910

23713

195

ILLUSTRATIONS OF PARTS

23784

FOR

MACHINE

No. 71-142



132



23711

233

7070



PLATE 4007—FULL SIZE

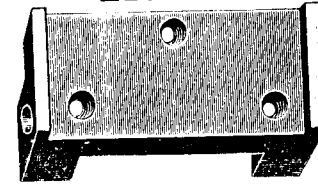
ILLUSTRATIONS OF PARTS

FOR

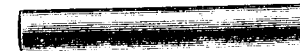
MACHINE

NO. 11-142

23379



23380



196



39712



404



402



1960



1664



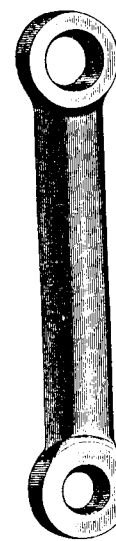
1230



39713



23384



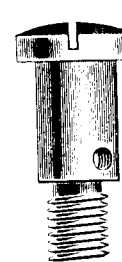
52



1231



1232



233



7070



39711



PLATE 4008—FULL SIZE

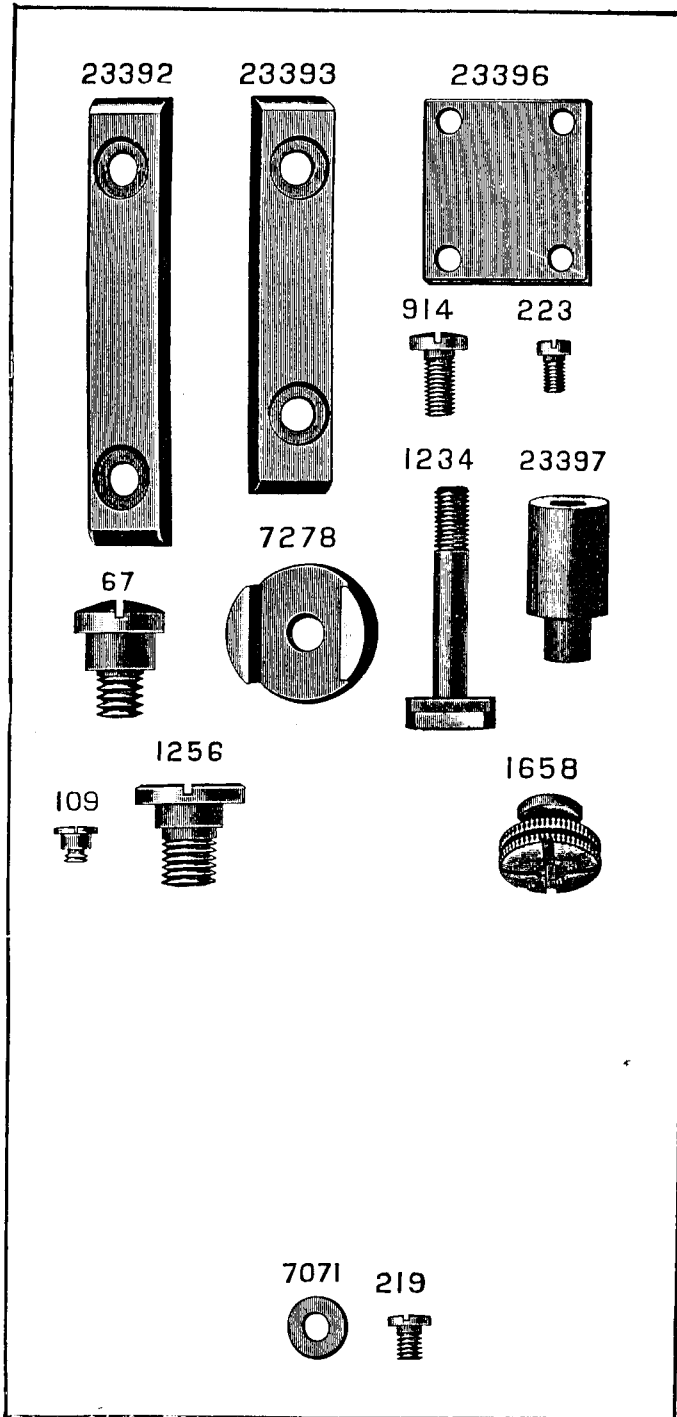


PLATE 4009—FULL SIZE

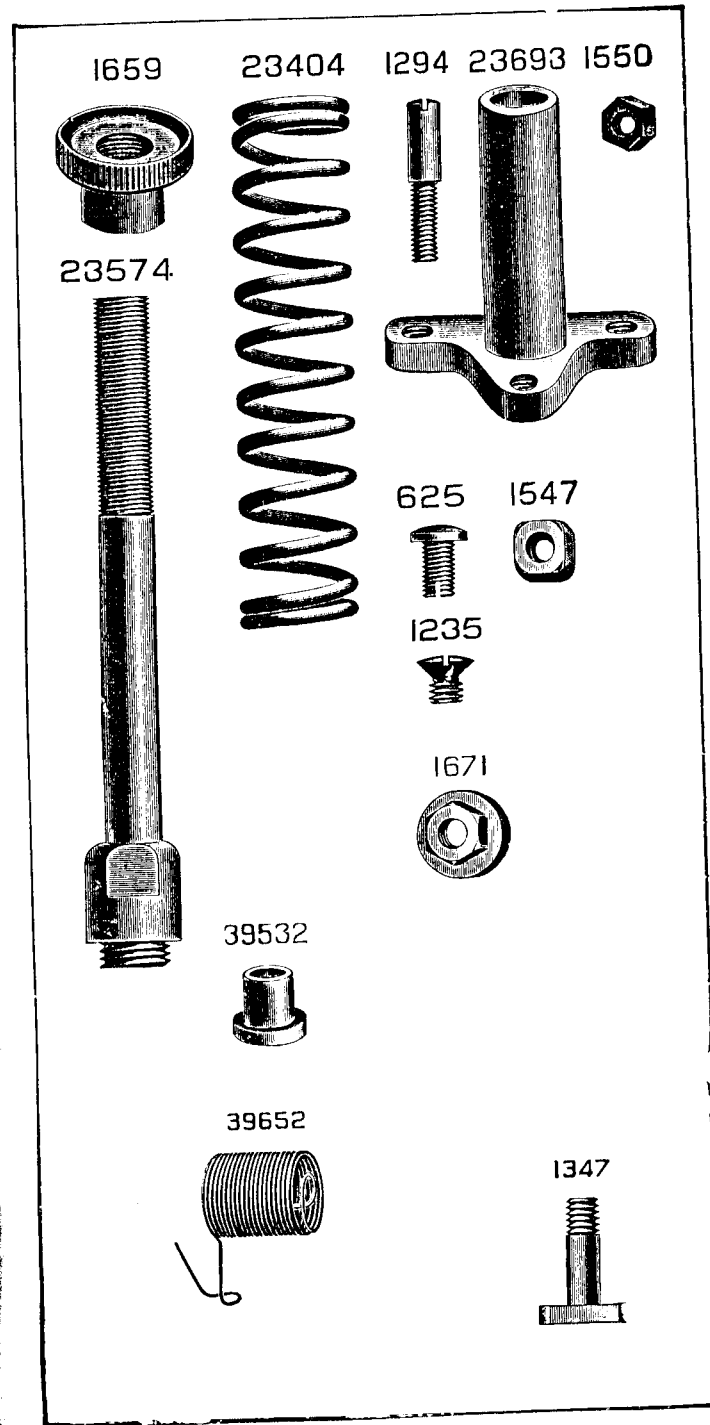


PLATE 4023—FULL SIZE

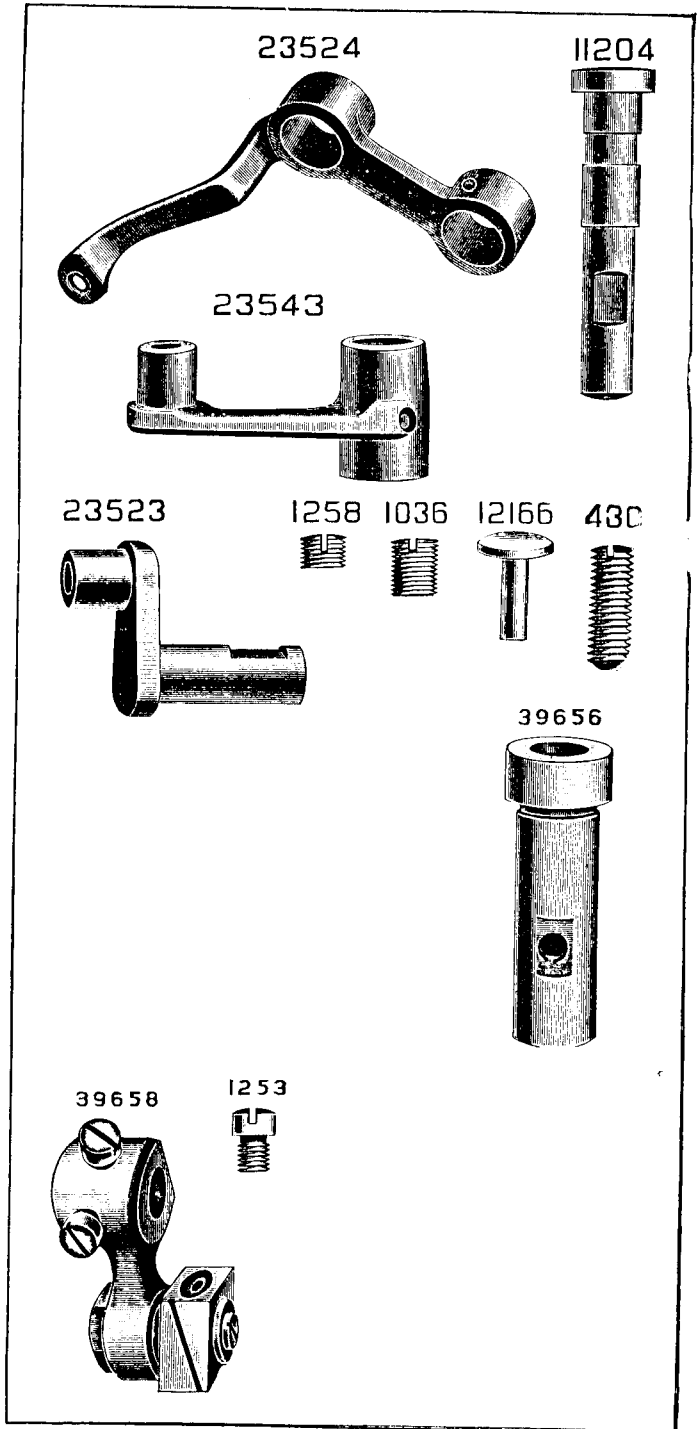


PLATE 4024—FULL SIZE

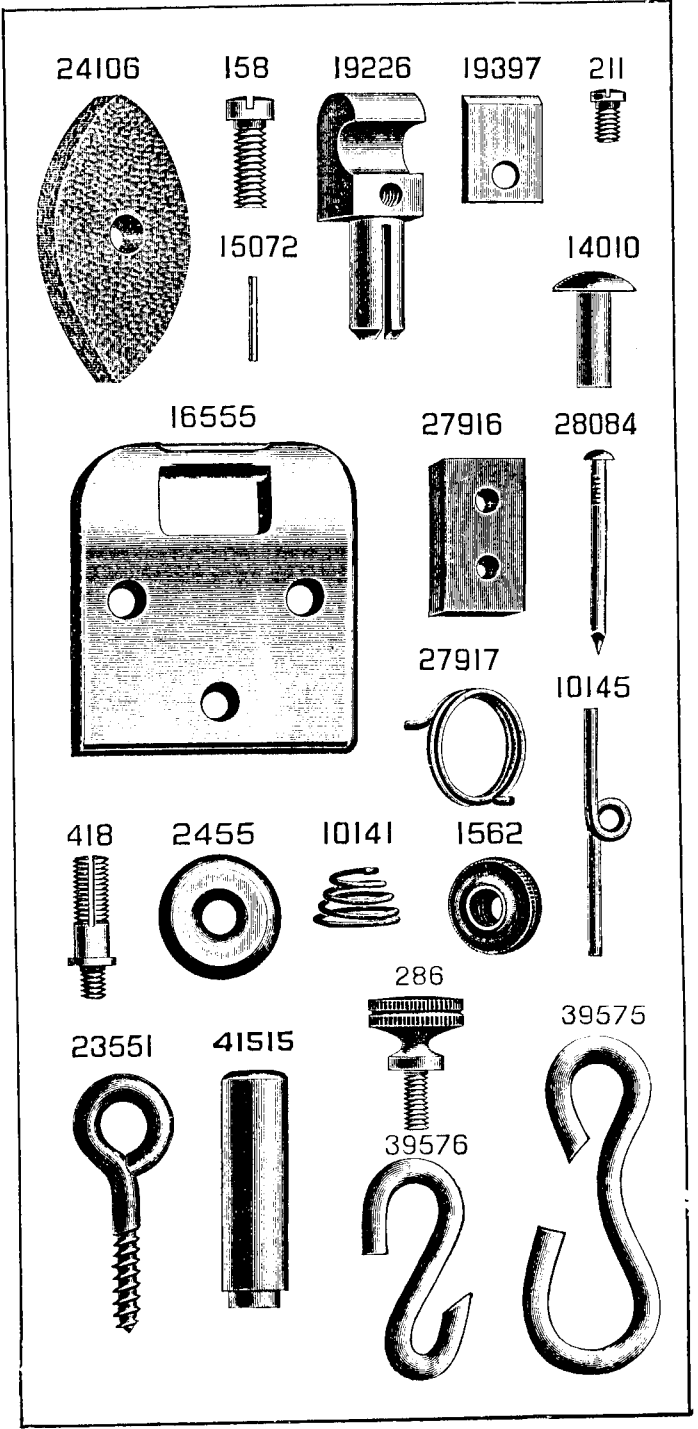


PLATE 4025—FULL SIZE

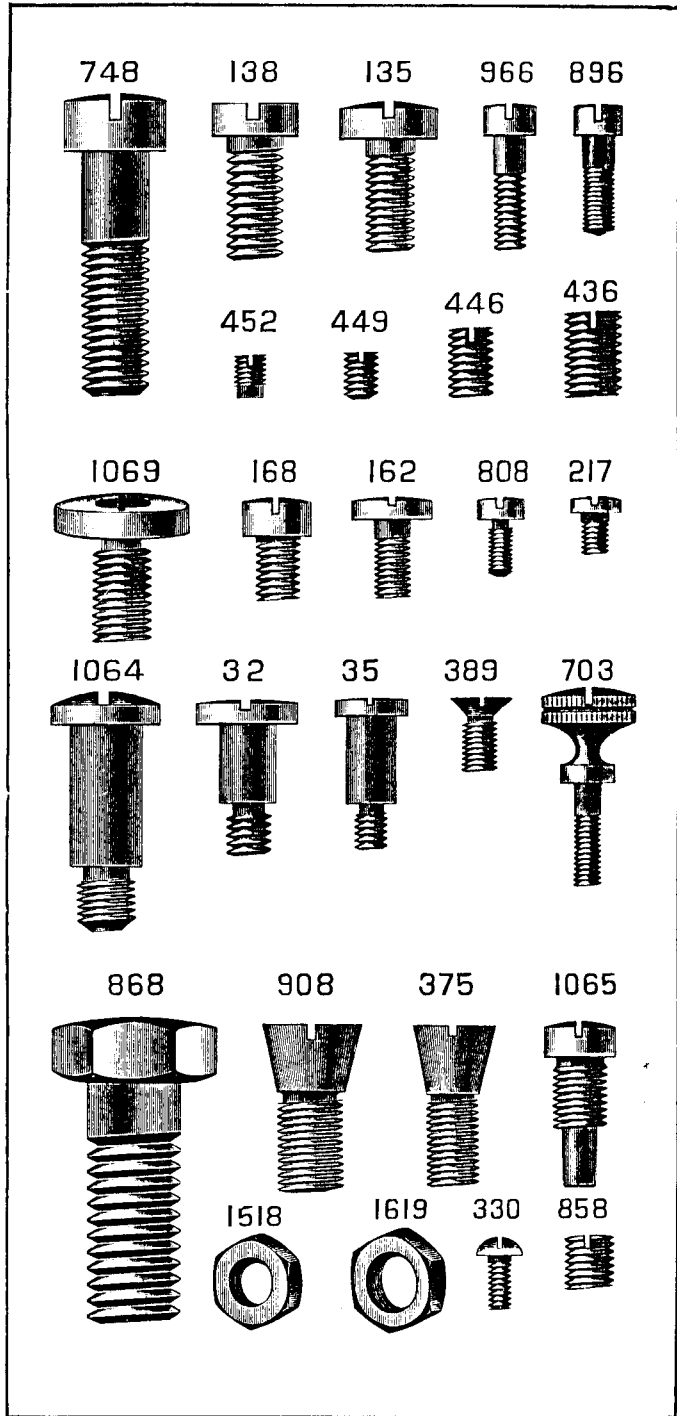


PLATE 4047—ONE-FOURTH SIZE

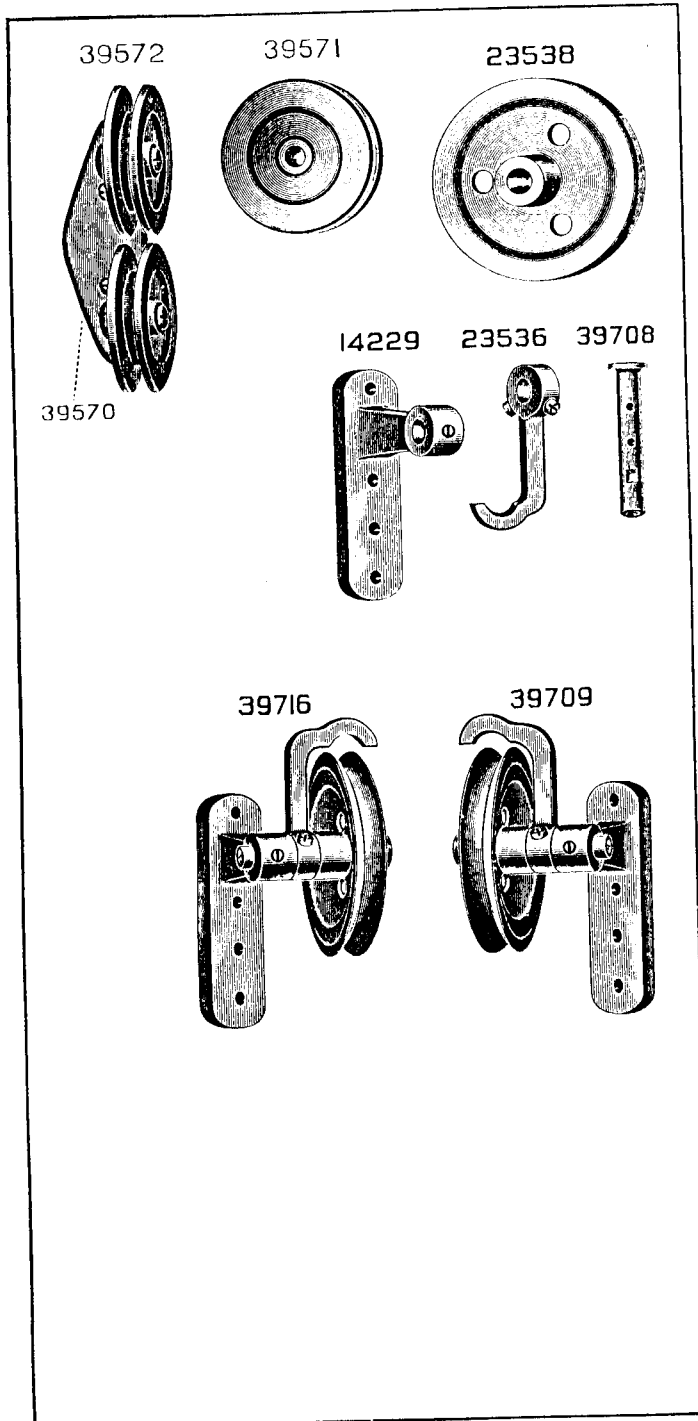


PLATE 4066—FULL SIZE

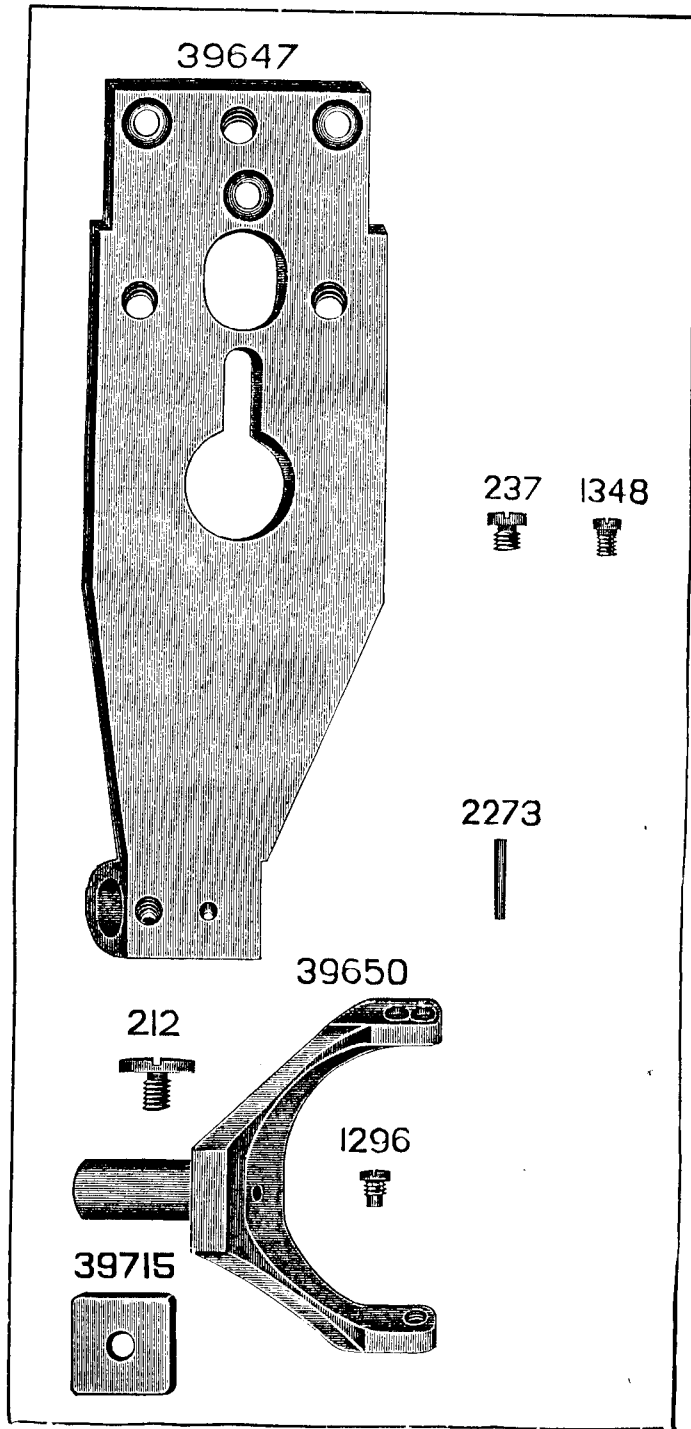


PLATE 4083—FULL SIZE

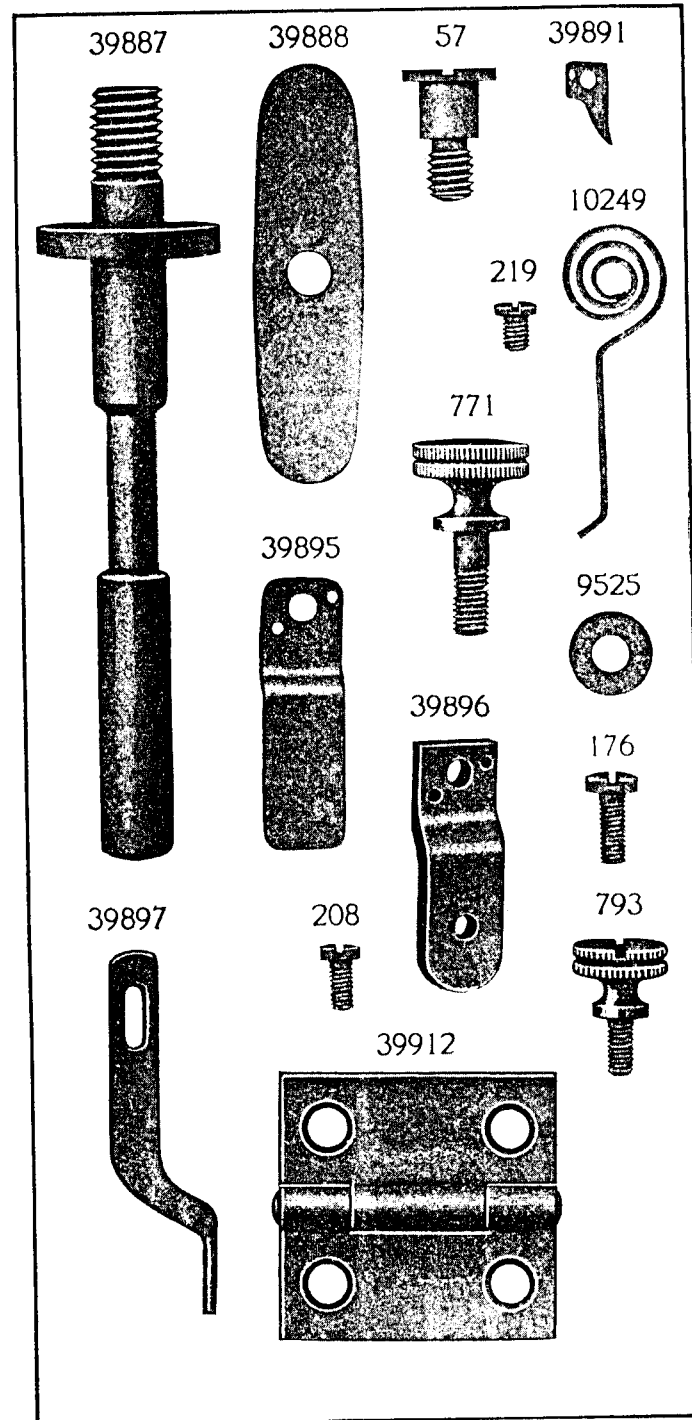
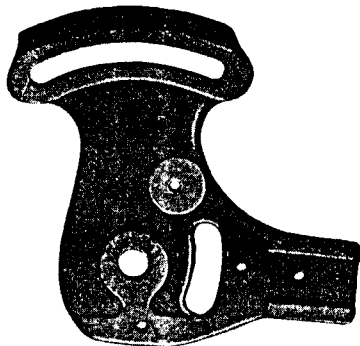


PLATE 4086—ONE-HALF SIZE

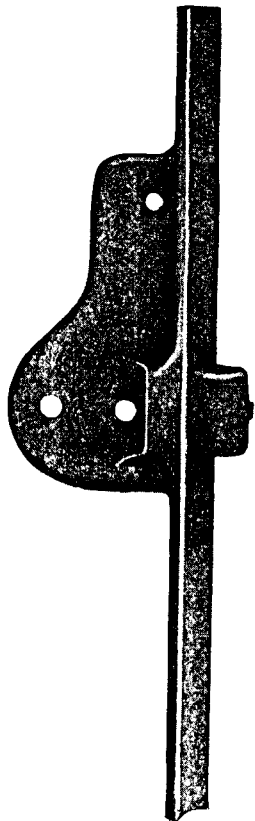
39890



39894



39892



39893



PLATE 4104—ONE-HALF SIZE

120346

120347

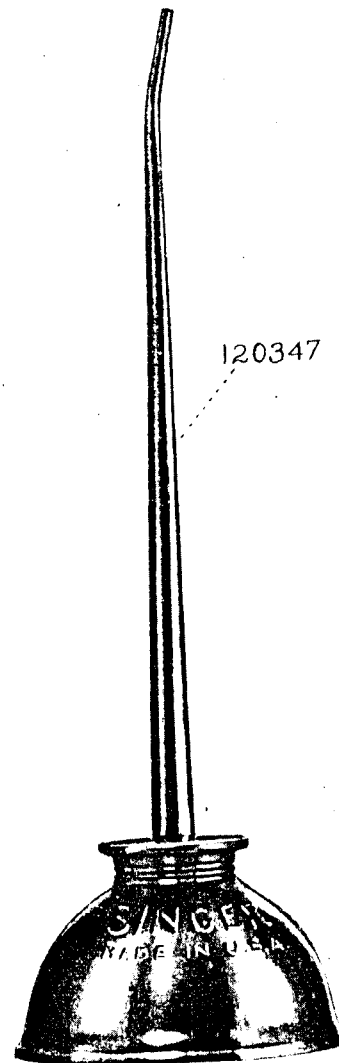


PLATE 11658—FULL SIZE

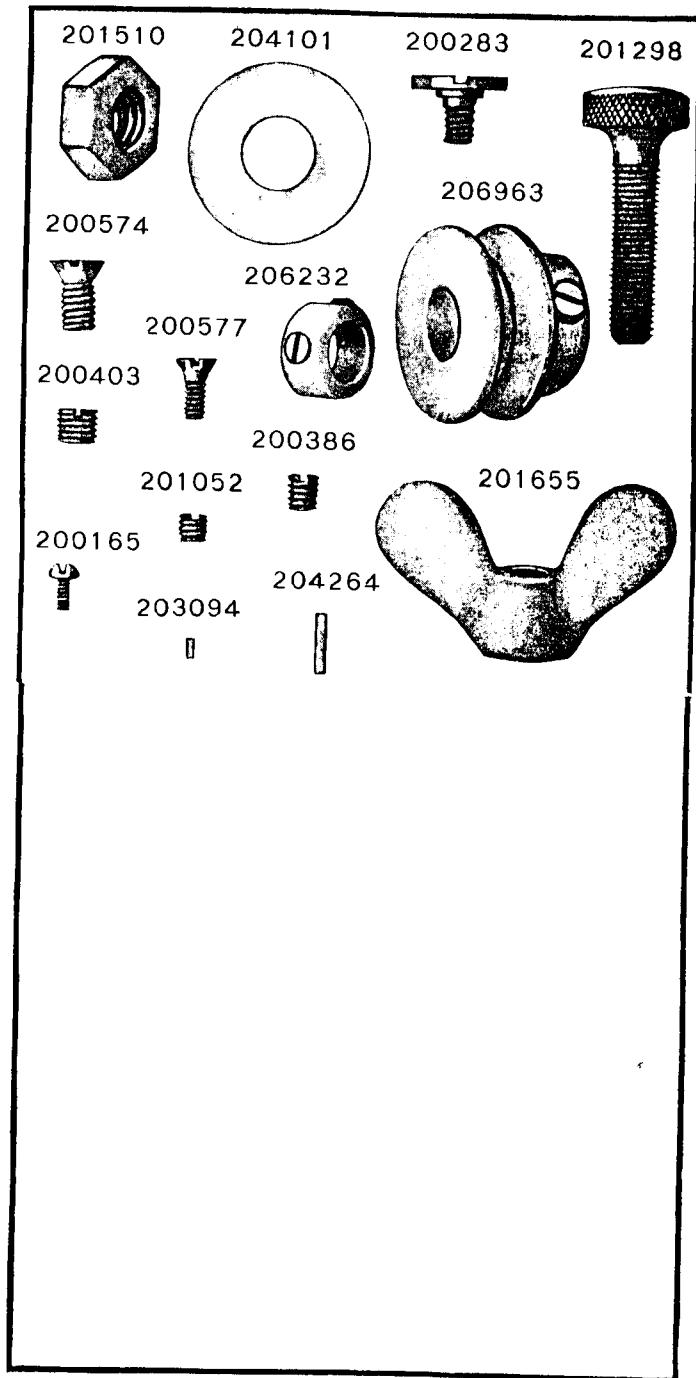


PLATE 14263—ONE-SIXTH SIZE

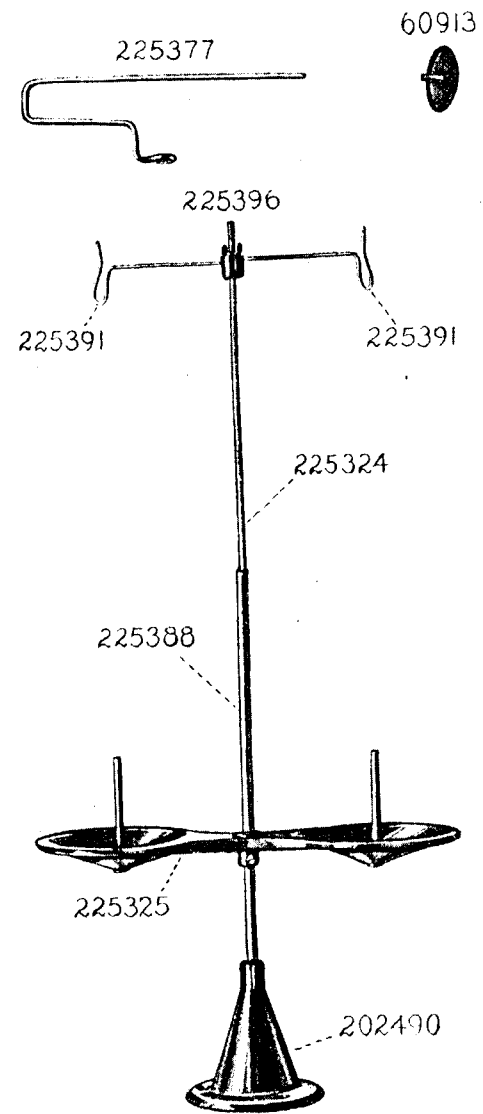
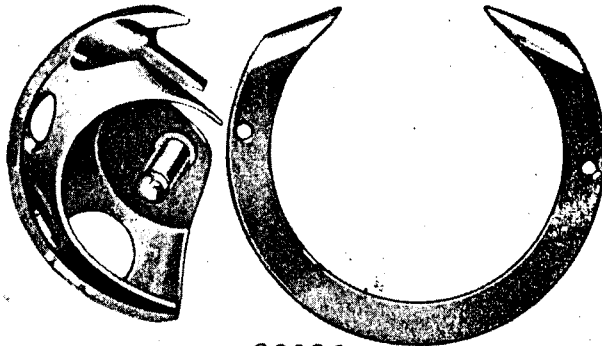


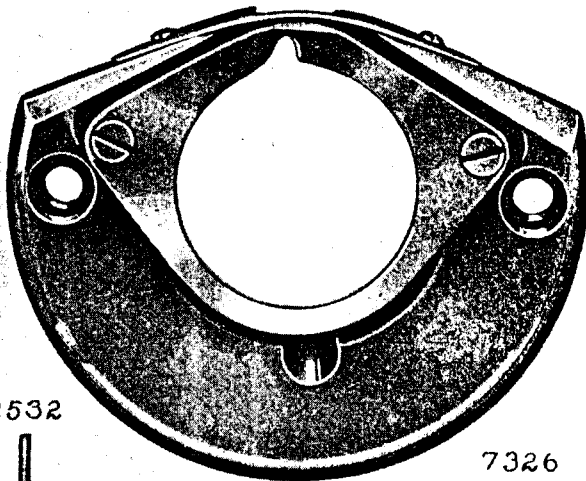
PLATE 14978—FULL SIZE

23503

39969



39982



2532

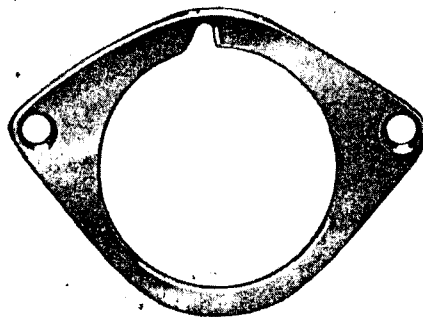


7326

2269



39981



462



591



PLATE 14982—FULL SIZE

249611

350229 249607

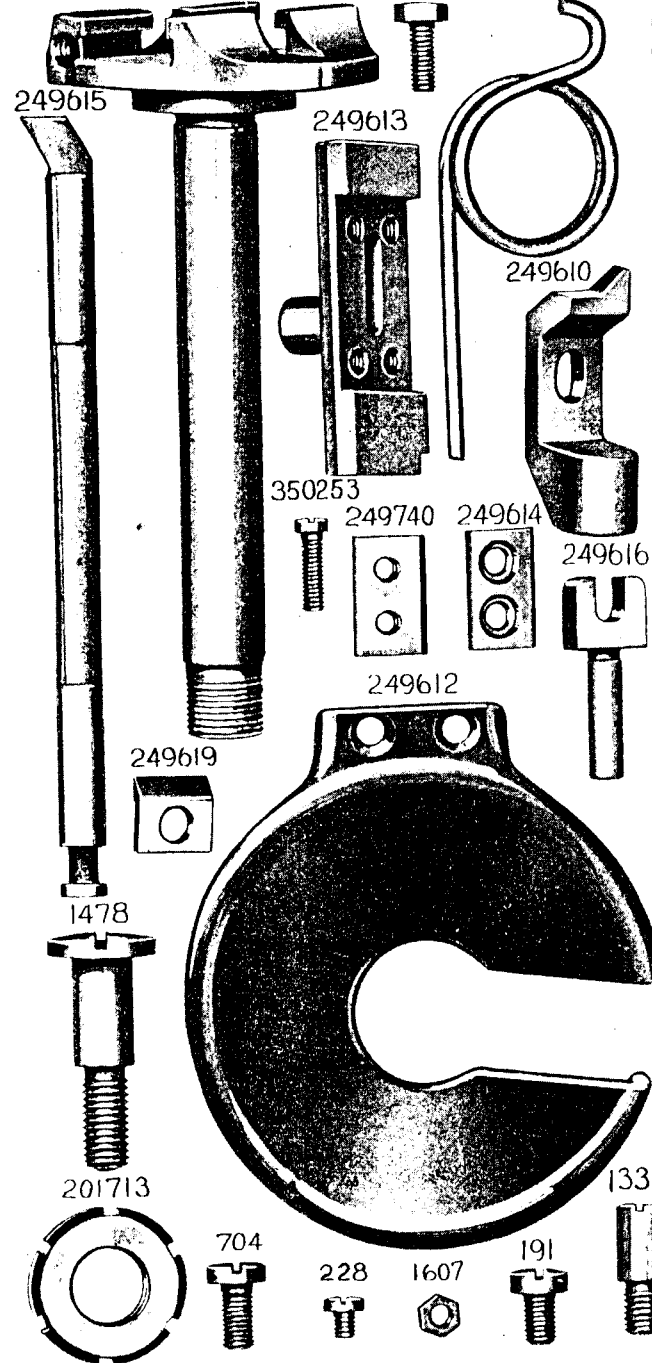


PLATE 14983—ONE-FOURTH SIZE

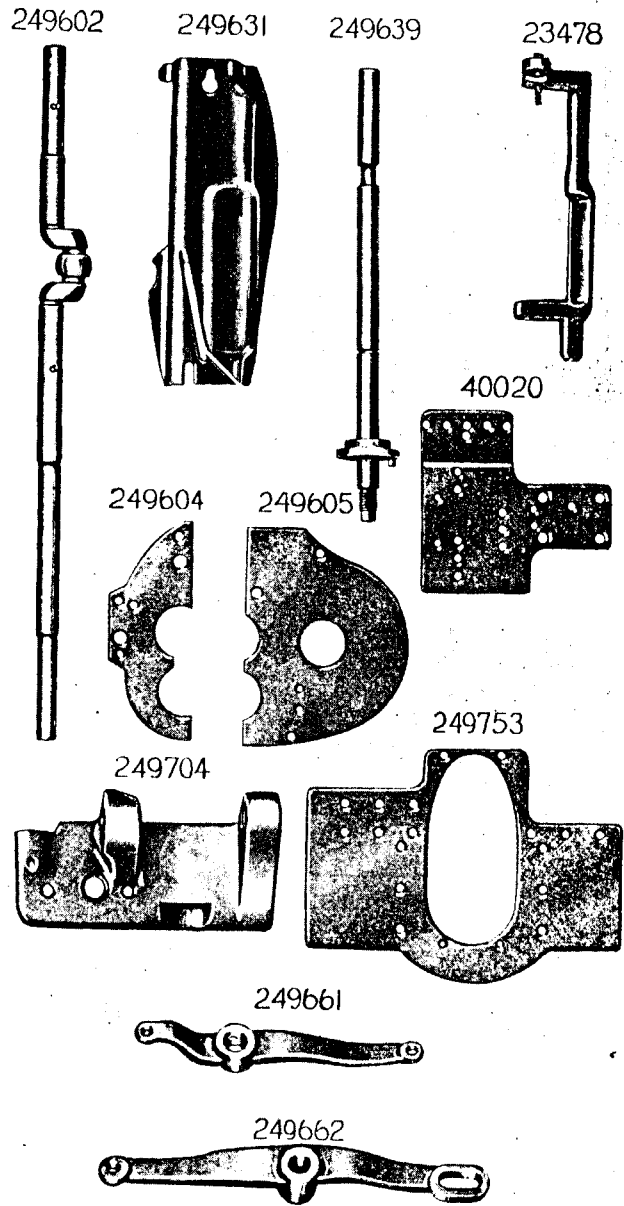


PLATE 14984—ONE-HALF SIZE

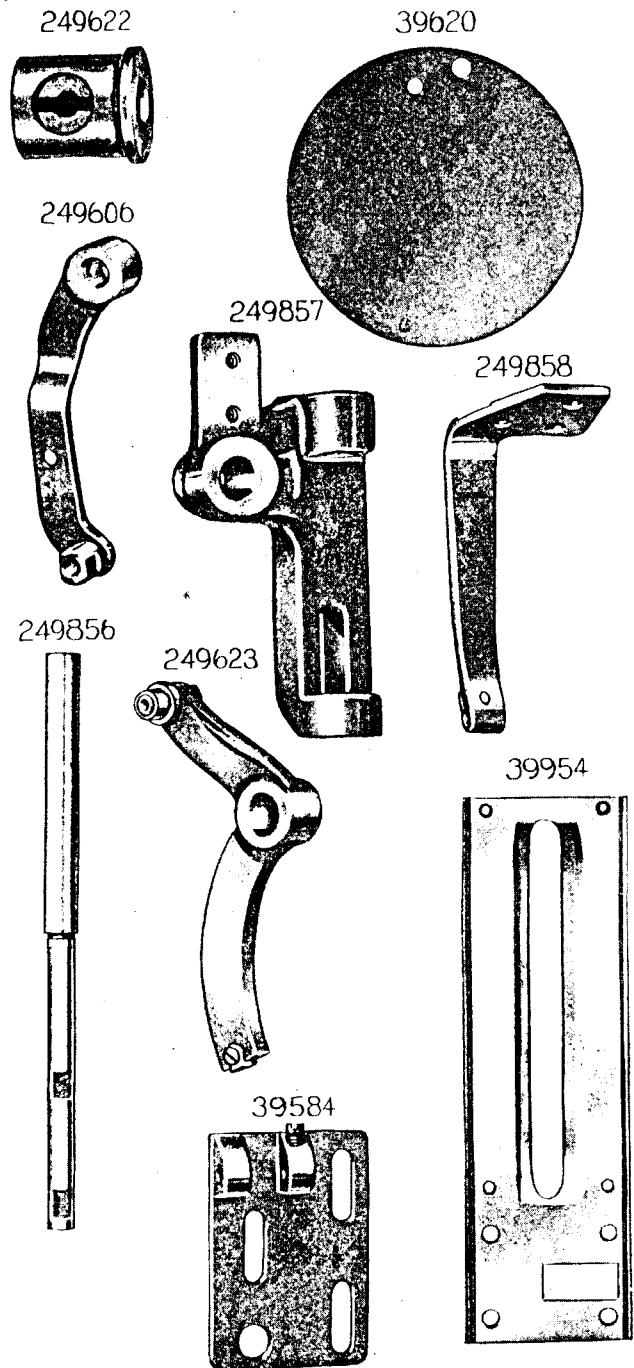


PLATE 14985—FULL SIZE

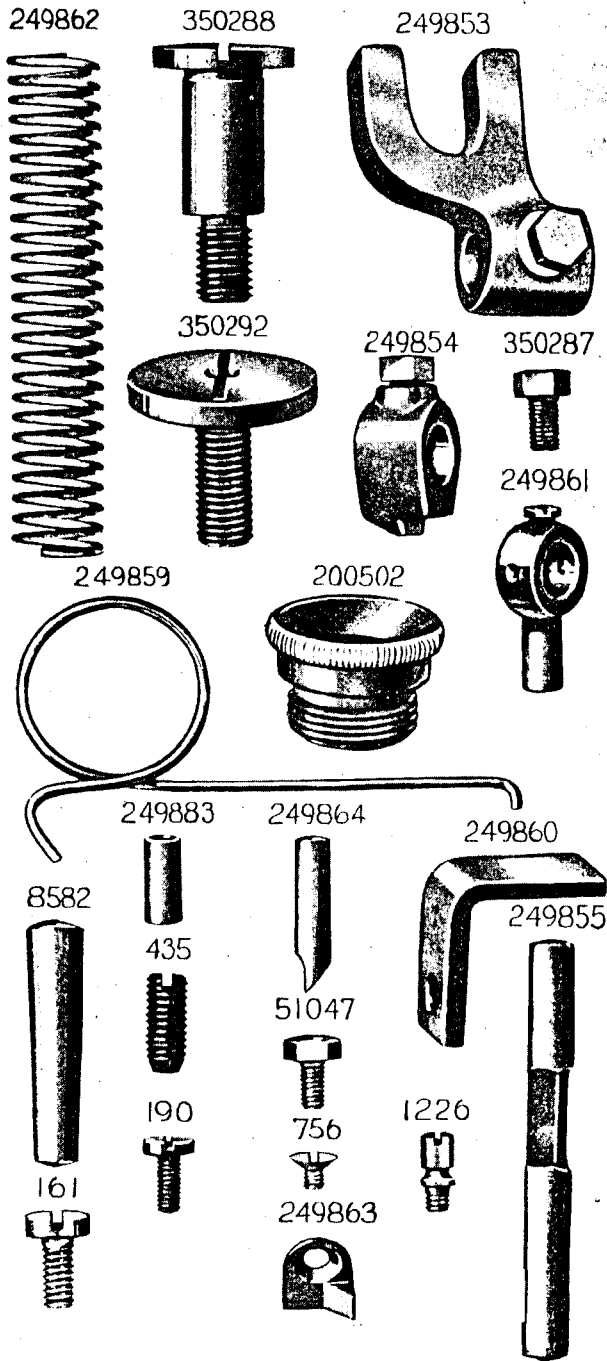


PLATE 14986—ONE-HALF SIZE

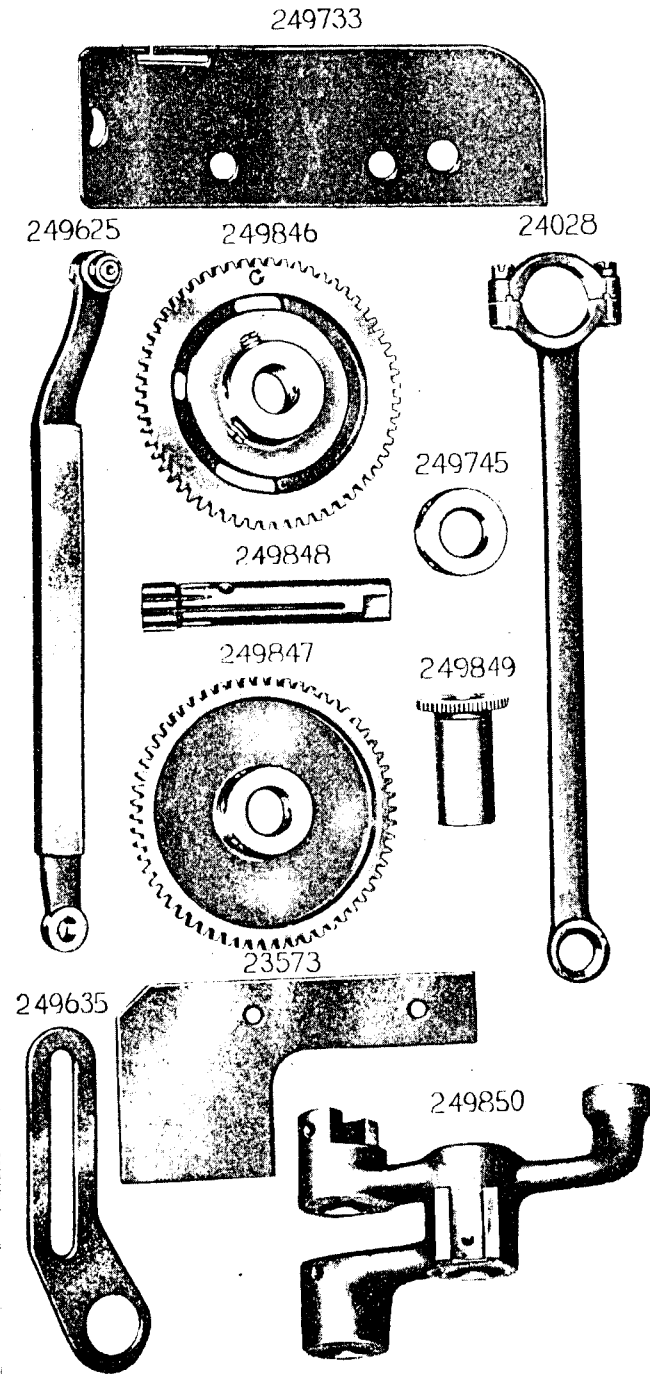


PLATE 14987—FULL SIZE

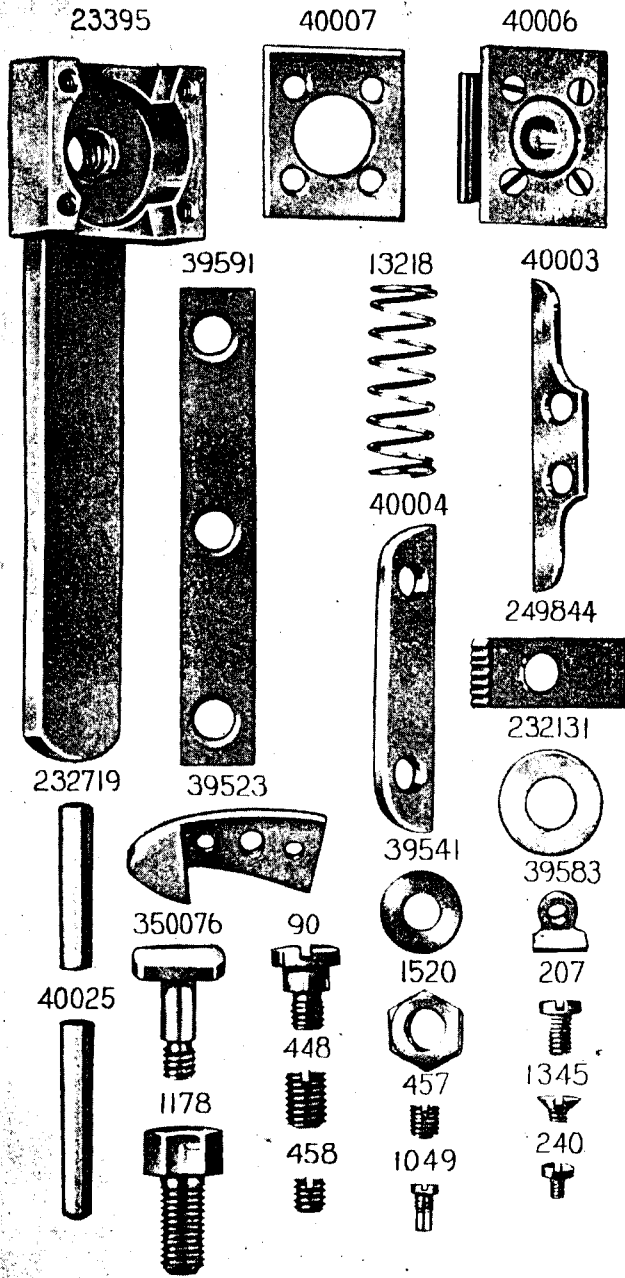


PLATE 14988—ONE-HALF SIZE

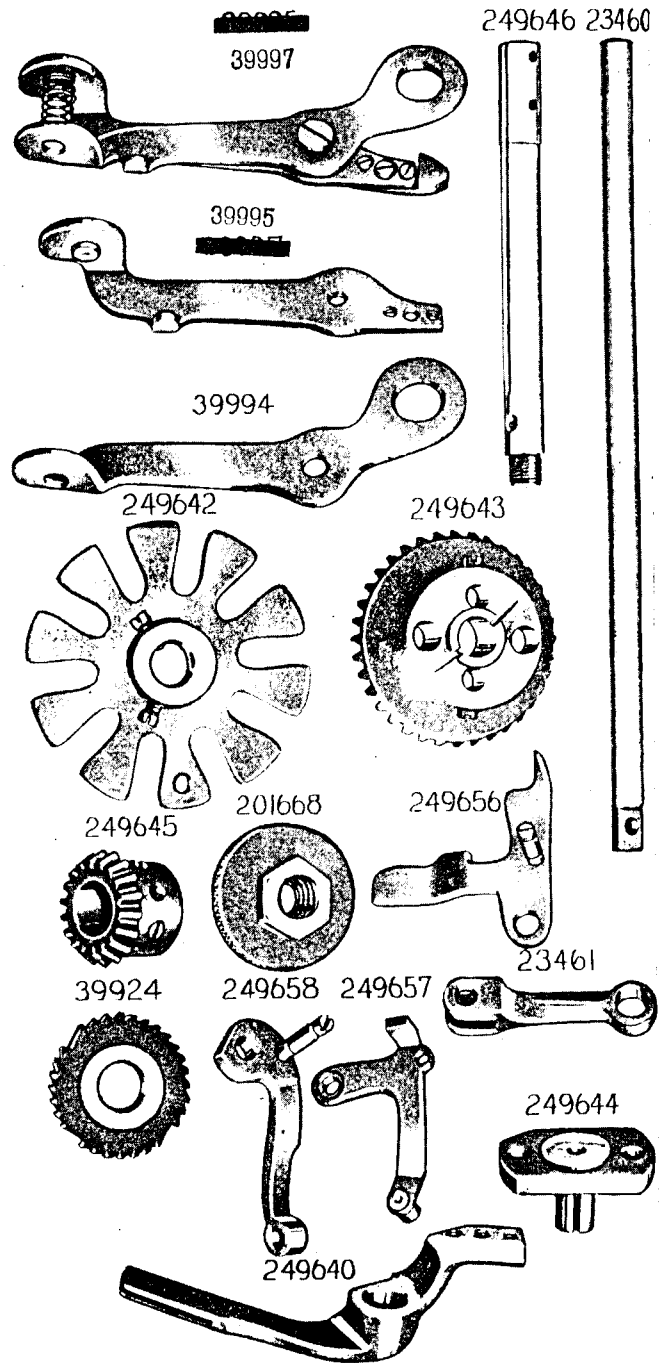


PLATE 14989—FULL SIZE

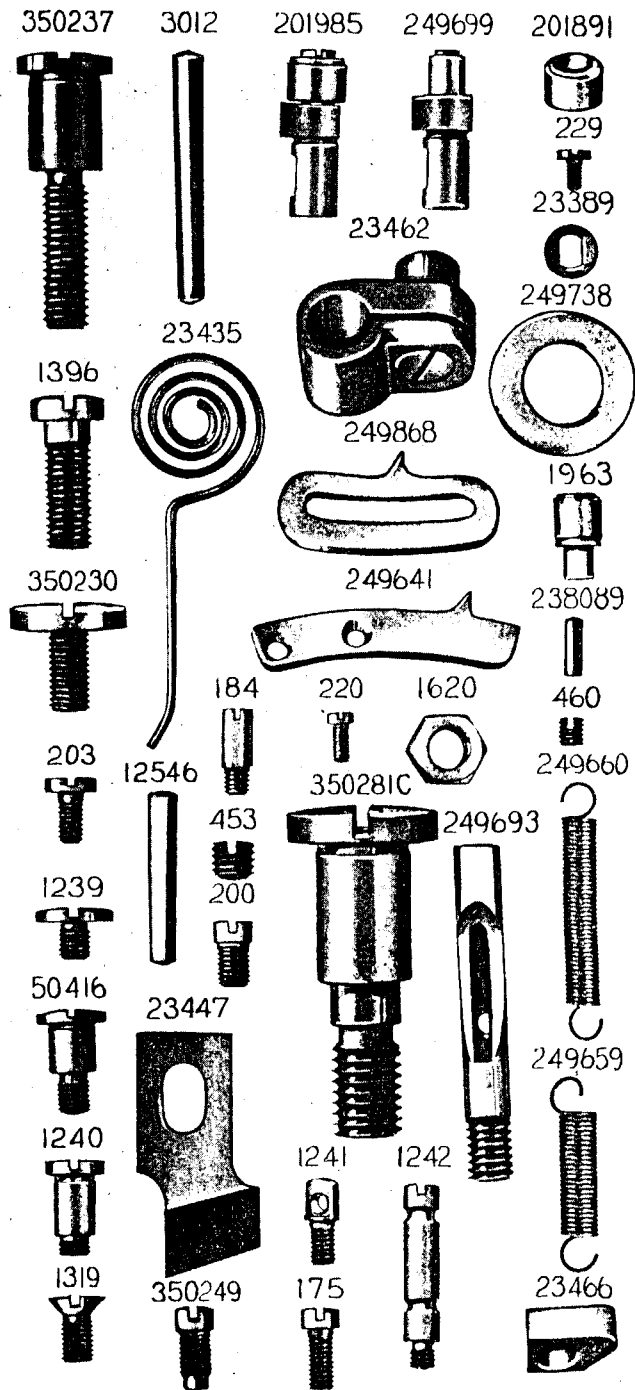


PLATE 14990—ONE-HALF SIZE

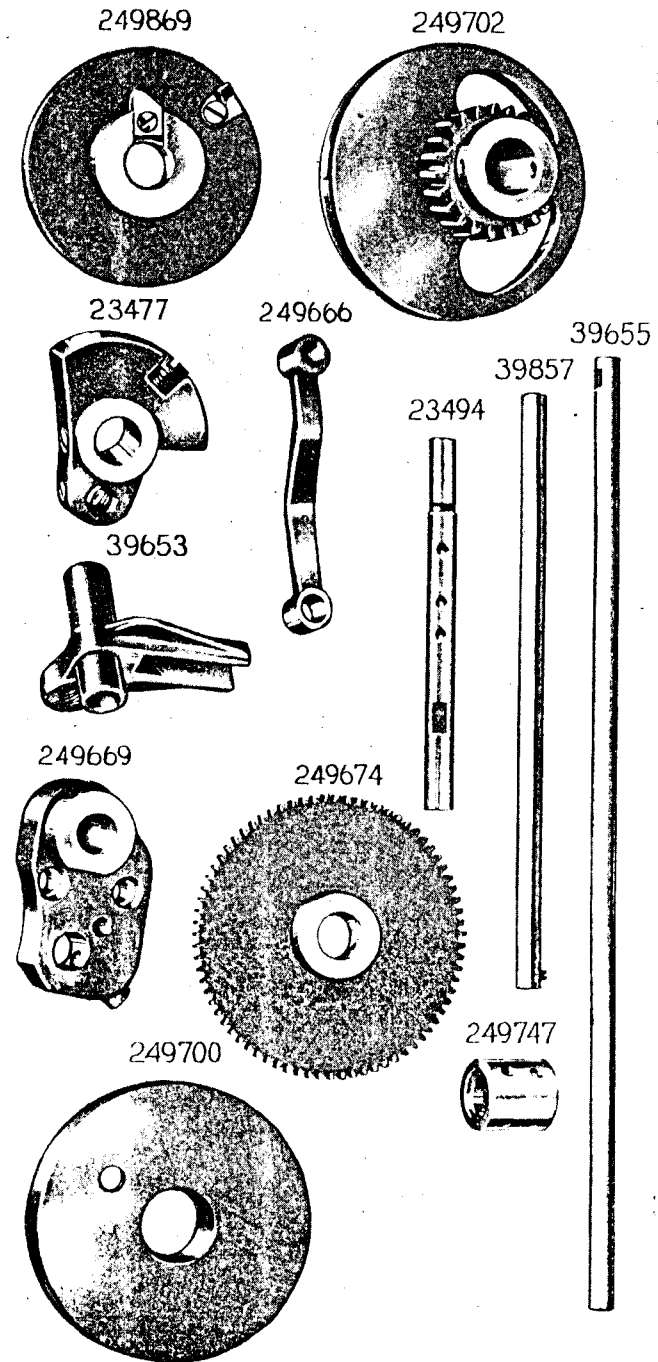


PLATE 14991—FULL SIZE

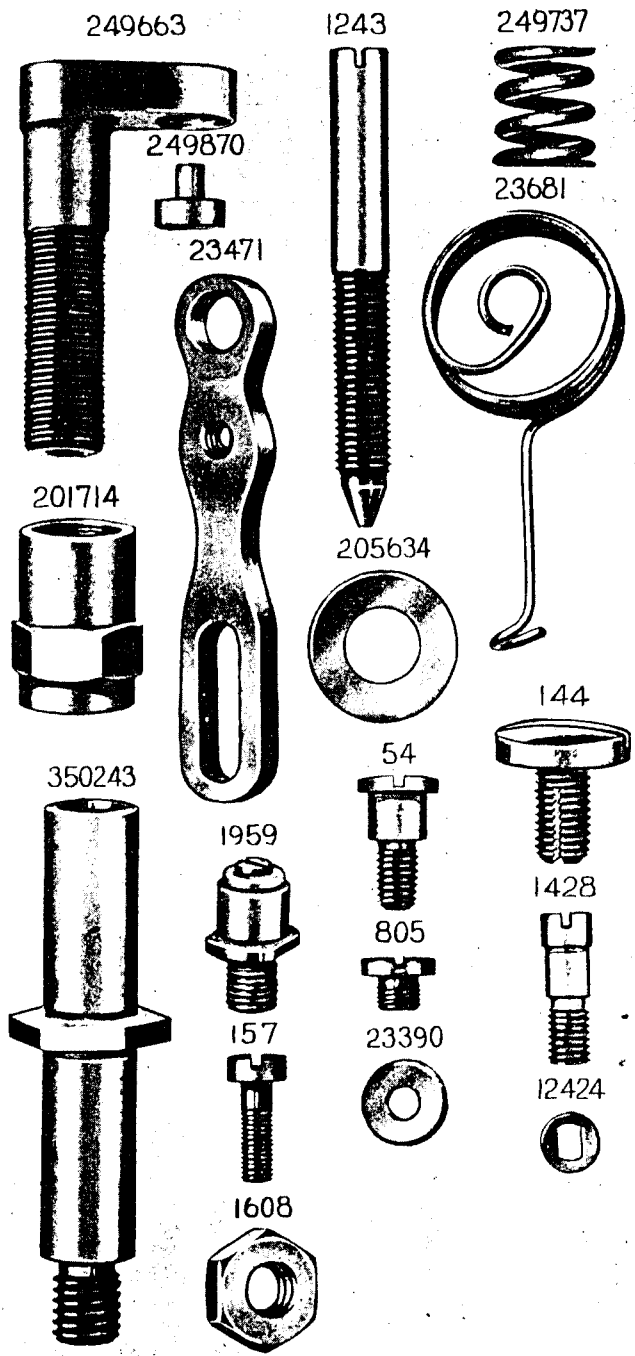


PLATE 14992—ONE-HALF SIZE

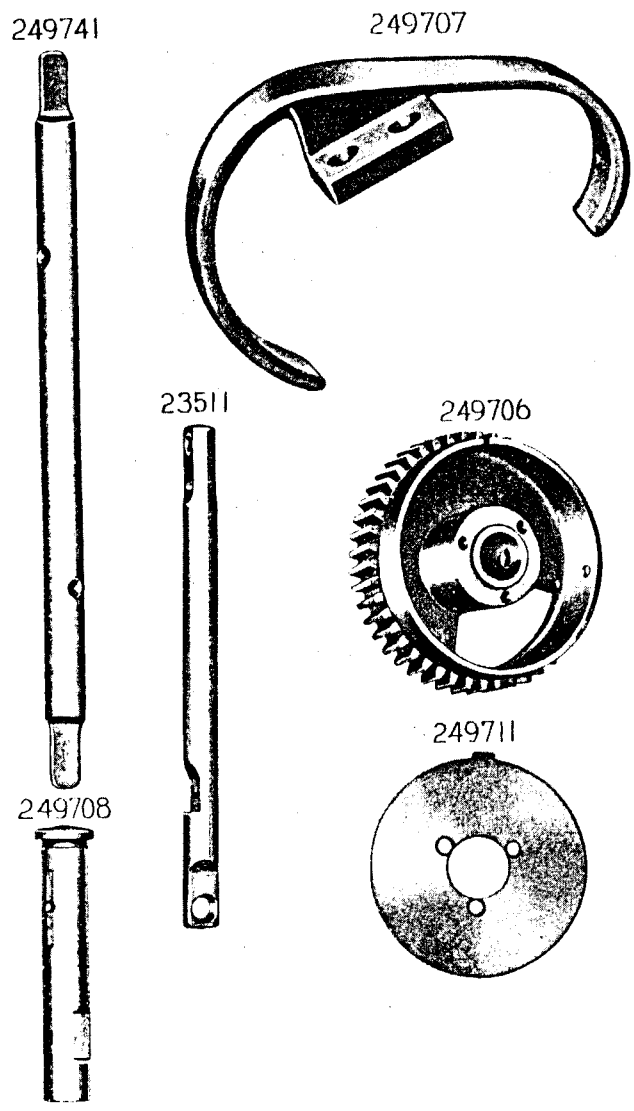


PLATE 14993—FULL SIZE

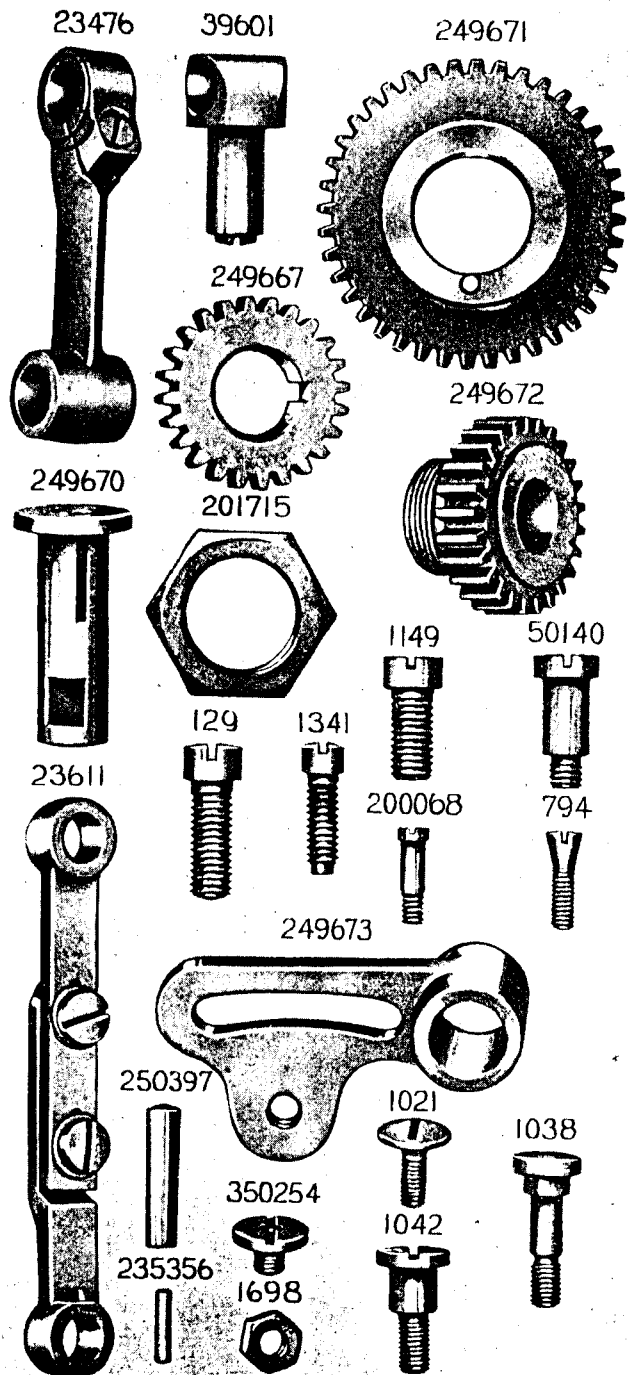


PLATE 14994—FULL SIZE

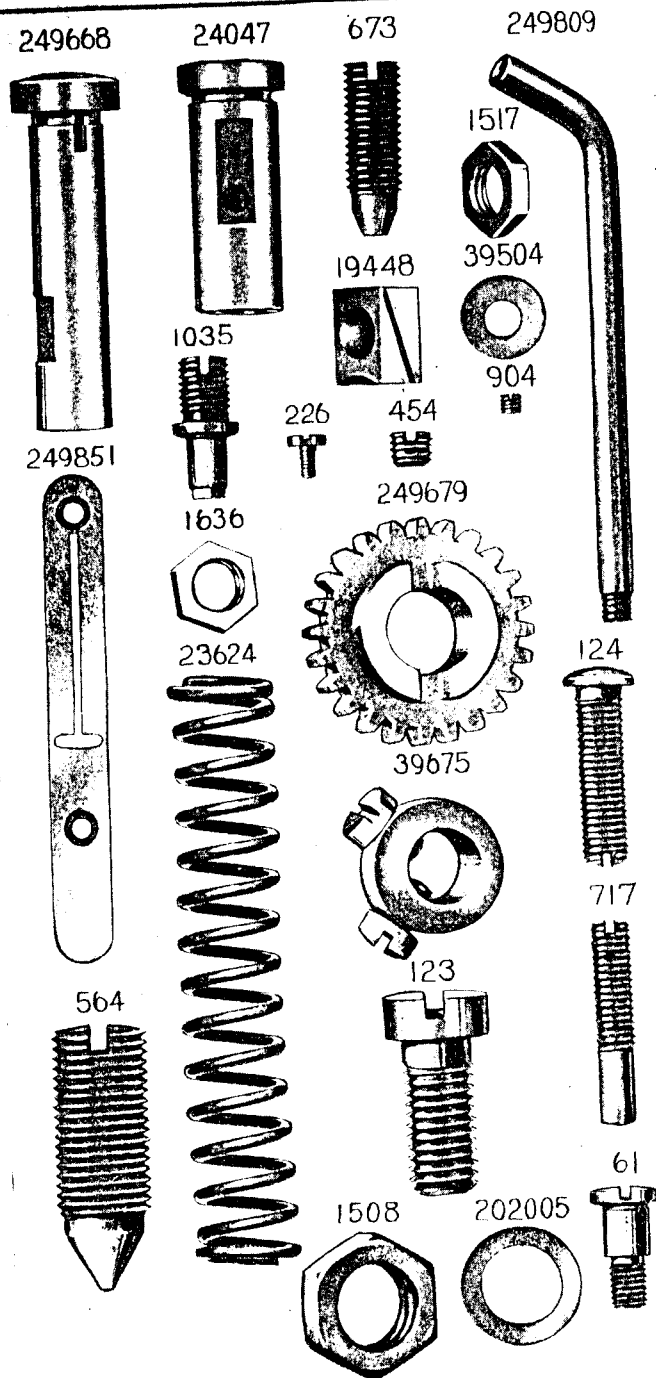
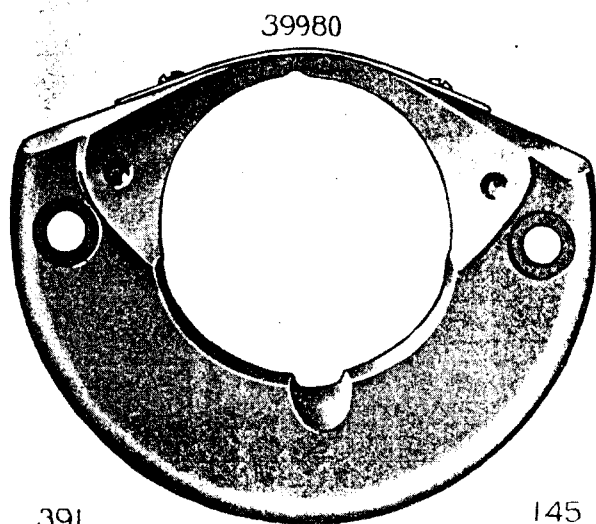


PLATE 14995—FULL SIZE



391



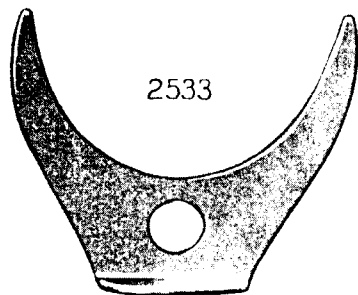
662



592



2523



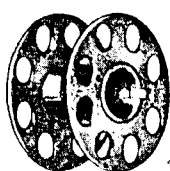
145



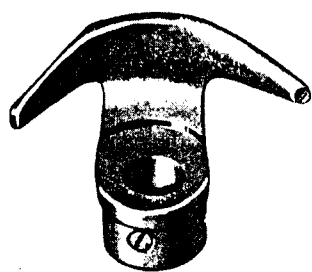
648



23500



23505



2974



2975



2973



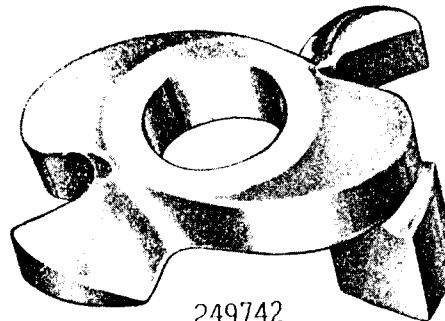
15140



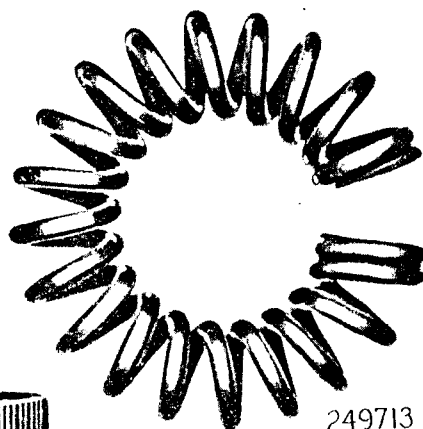
PLATE 14996—FULL SIZE



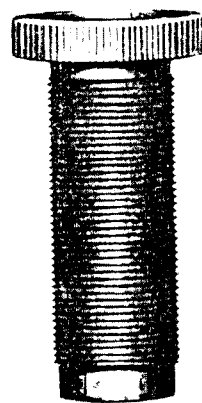
249705



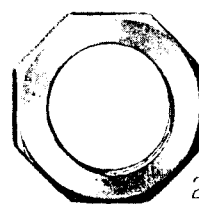
249742



913



1638



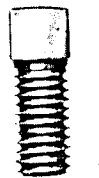
249713



871



200522



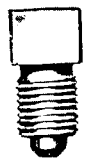
200108



201660



1070



249739



164

