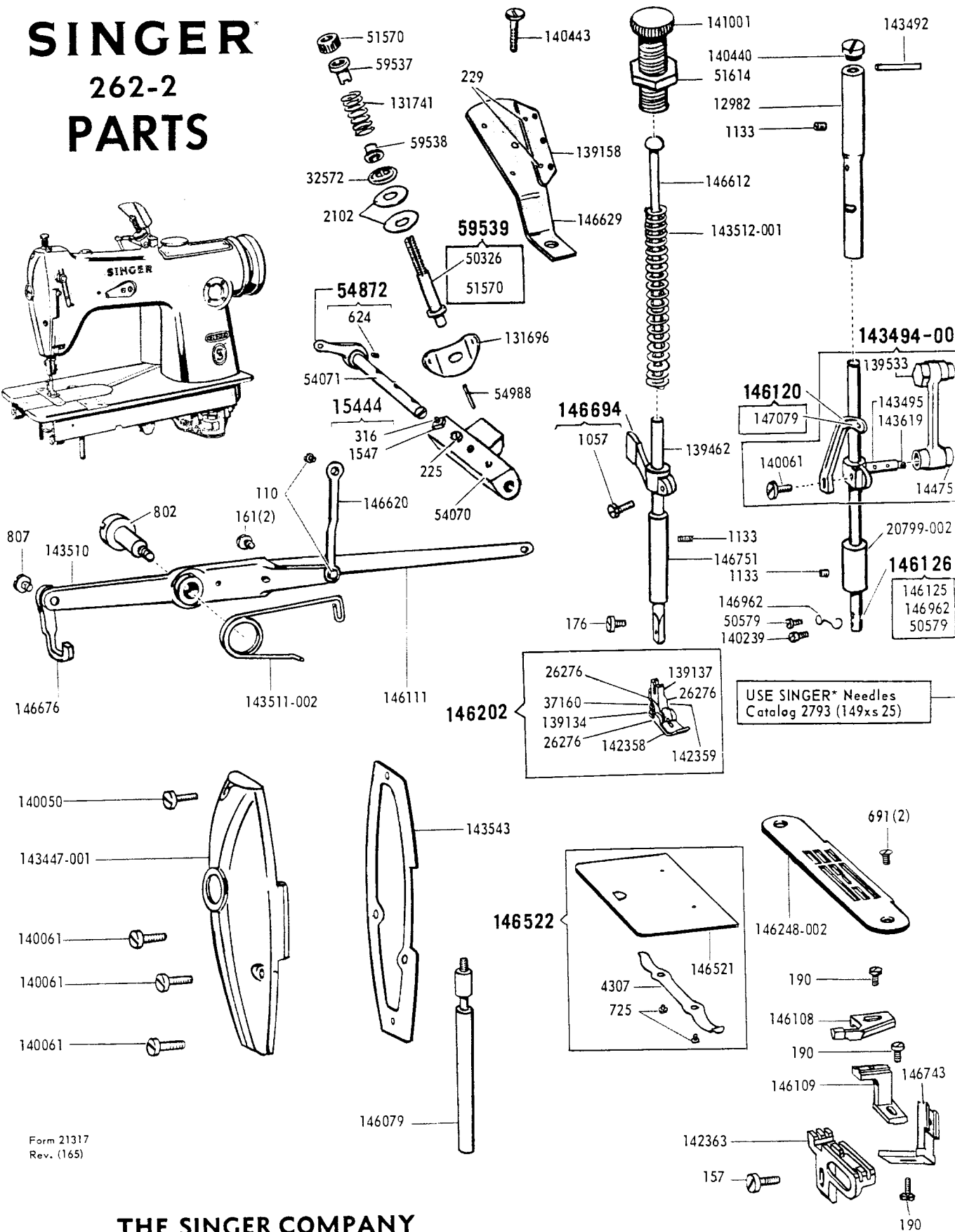
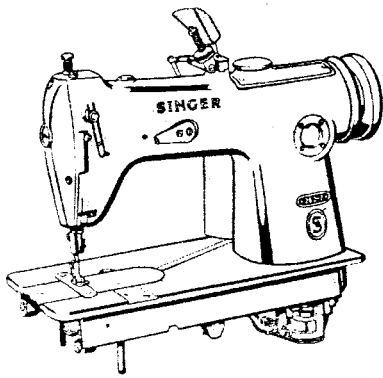


SINGER
262-2

SINGER® 262-2 PARTS



Form 21317
Rev. (165)

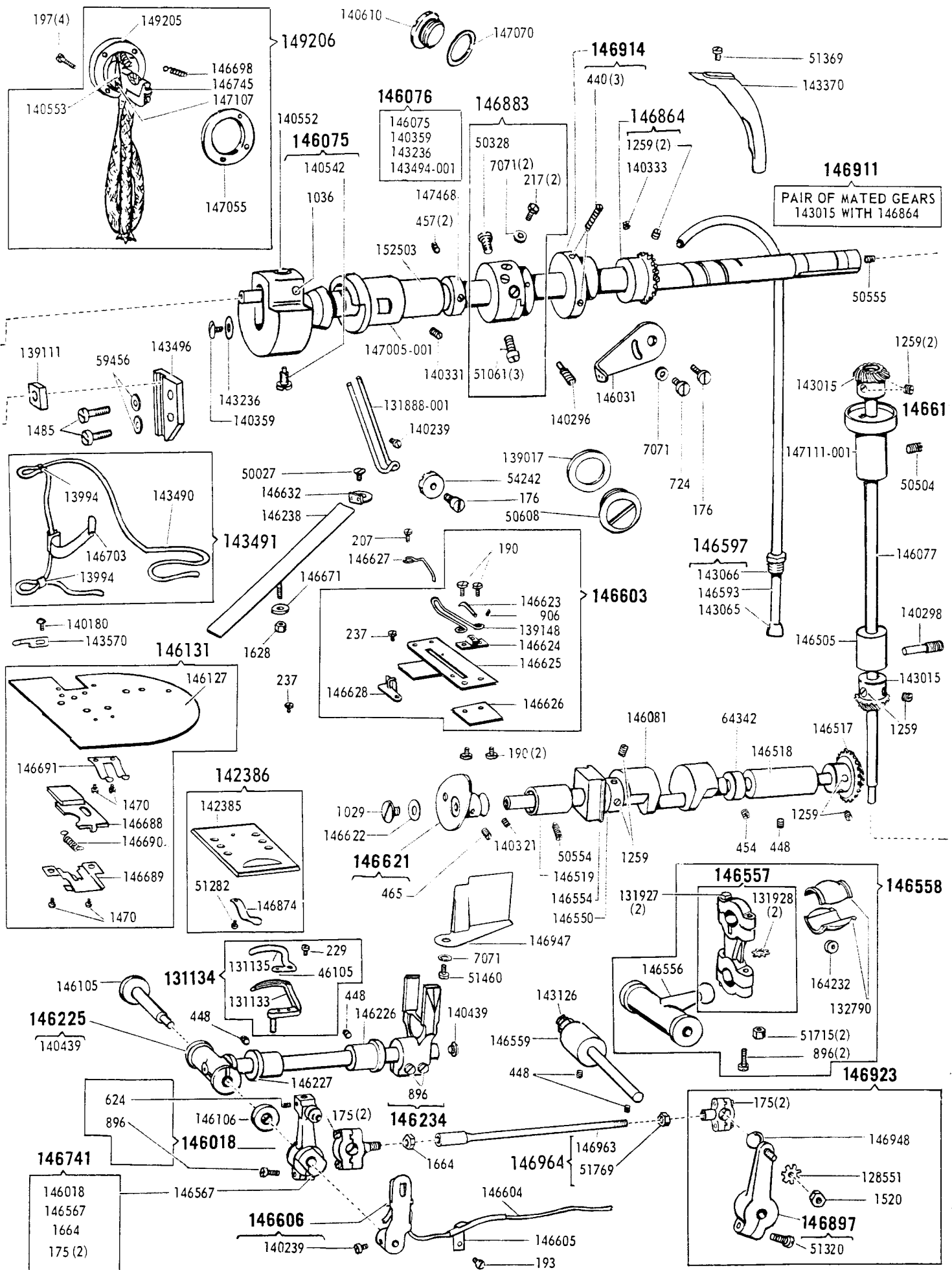
THE SINGER COMPANY

Copyright © 1964 by The Singer Company
Copyright Under International Copyright Union
All Rights Reserved under Inter-American Copyright Union

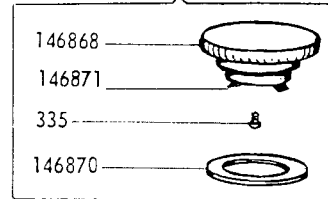
*A Trademark of THE SINGER COMPANY

Insert in Form 21265(163), Singer Service Manual Class 262

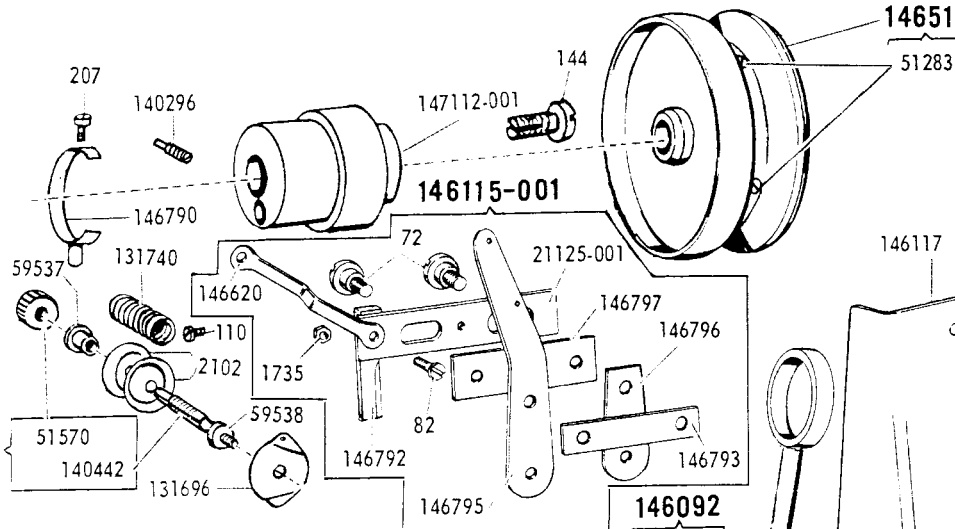
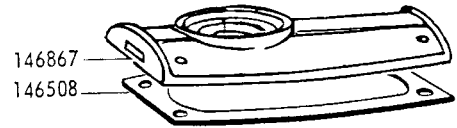
Printed in U. S.



146869



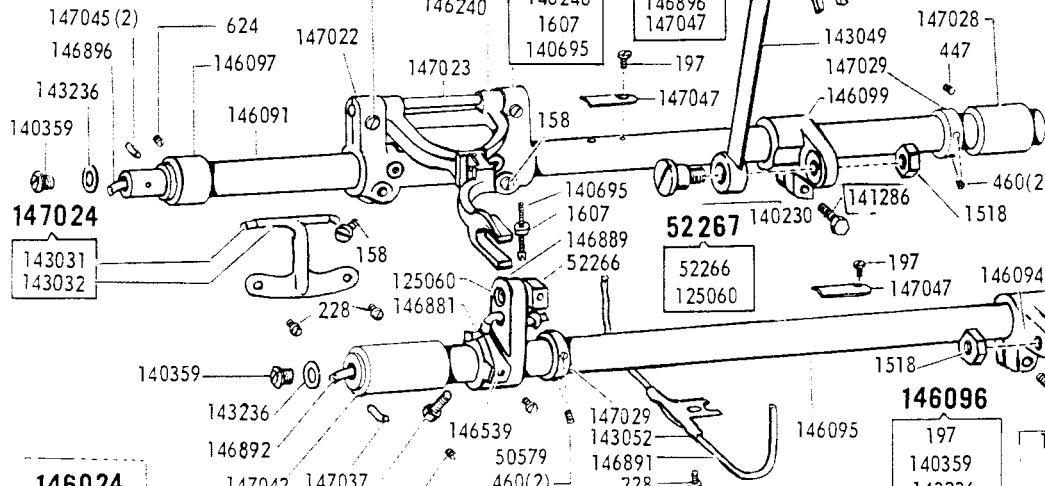
51369(4)



146092

- 197
- 140359
- 143236
- 146091
- 146891
- 146896
- 147047

146616
PAIR OF MATED GEARS
146517 WITH 143015



146241

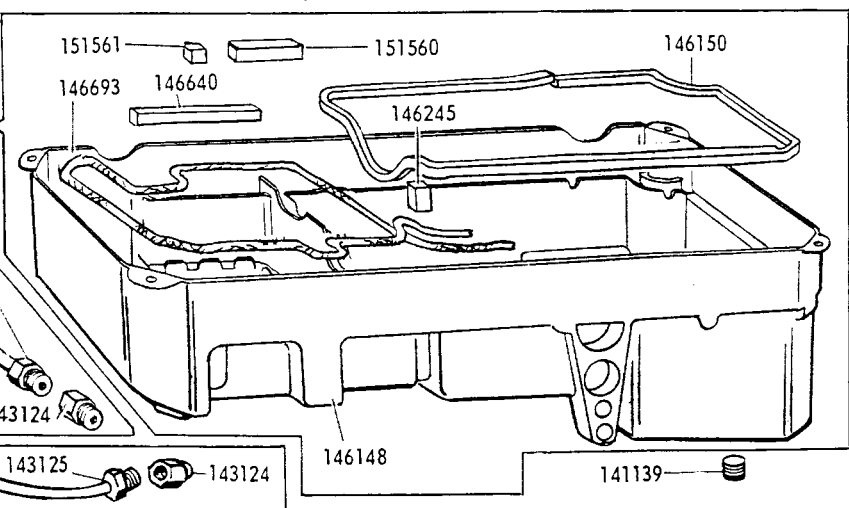
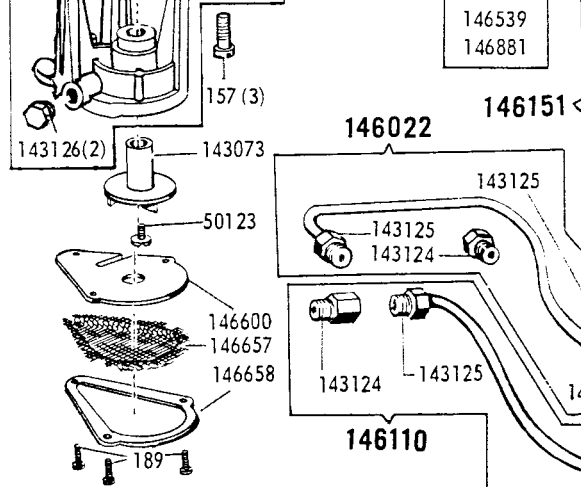
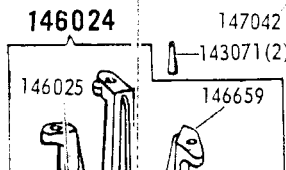
- 146240
- 1607
- 140695

146096

- 197
- 140359
- 143236
- 146095
- 146891
- 146892
- 147047

146244

- 146889
- 50579
- 52267
- 146539
- 146881



16532(2)

LIST OF PARTS 262-2 MACHINE

PART NO.	DESCRIPTION	PART NO.	DESCRIPTION	PART NO.	DESCRIPTION
72(803)	Tension (looper thread) Releaser Slide Hinge Screw (2)	896(830)	Looper Holder Clamping Screw	52267	Feed Lifting Rock Shaft Slide Block 52266 with 125060
82(803)	Tension (looper thread) Releaser and Releaser Slide Screw	906(830)	Thread (looper) Take-up Stripper Set Screw	54070	Tension (needle thread) Bracket
110(803)	Tension (looper thread) Releaser Slide Connecting Link Hinge Screw	914(809)	Tension (looper thread) Thread Guard Screw	54071	Tension (needle thread) Releasing Shaft
110(803)	Tension (needle thread) Releasing Shaft Crank Connecting Link Hinge Screw (2)	965(805)	Bed Leg (back) Screw (2)	54242	Slack Thread Controller Clamp
144(804)	Arm Shaft (horizontal) Screw (back)	1029(809)	Thread (looper) Take-up Screw	54872	Tension (needle thread) Releasing Shaft Crank with 624(830)
157(805)	Oil Pump (centrifugal) Body Screw (3)	1036(830)	Needle Bar Connecting Link Hinge Stud Position Set Screw	54988	Tension (needle thread) Releasing Pin
157(809)	Feed Dog Screw	1057(830)	Presser Bar Guide Bracket Clamping Screw	59359	Tension (needle thread) Screw Stud 50326(803) with 51570(803)
157(819)	Feed Lifting Rock Shaft Crank (front) Clamping Screw	1133(830)	Needle Bar Bushing (lower) Set Screw	59456	Needle Bar Connecting Stud Slide Block Guide Screw Washer (2)
158(805)	Feed Bar Carrier Clamping Screw (2)	1133(830)	Needle Bar Bushing (upper) Set Screw	59537	Tension (looper thread) Spring Bushing (large)
161(811)	Presser Bar Lifting Lever Extension Screw (2)	1133(830)	Presser Bar Bushing (lower) Set Screw	59537	Tension (needle thread) Spring Bushing (large)
175(830)	Looper Ball Crank Pitman End Bearing (left) Cap Screw (2)	1259(830)	Bed Rotary Shaft Bevel Gear Set Screw (2)	59538	Tension (looper thread) Spring Bushing (small)
175(830)	Looper Ball Crank Pitman End Bearing (right) Body Cap Screw (2)	1259(830)	Arm Shaft (upright) Bevel Gear (upper) Set Screw (2)	59538	Tension (needle thread) Spring Bushing (small)
176(809)	Slack Thread Controller Clamp Screw	1259(830)	Arm Shaft (horizontal) Bevel Gear Set Screw (2)	59539	Tension (needle thread) Screw Stud 50326(803) with 51570(803)
176(809)	Presser Foot Screw	1259(830)	Looper Avoiding Eccentric Set Screw (2)	64342	Bed Rotary Shaft Collar with 454(830)
176(809)	Thread (needle) Eyelet (side of arm) Position Screw	1470(819)	Arm shaft (upright) Bevel Gear (lower) Set Screw (2)	125060	Feed Bar Slide Block Hinge Stud
176(805)	Feed Bar Carrier Hinge Pin Clamping Screw (2)	1470(819)	Bed Slide (right) Latch Guide Screw (2)	126150	Looper Holder Rock Shaft Bracket Screw Washer (2)
189(805)	Oil Pump (centrifugal) Screen Frame Screw (3)	1470(819)	Bed Slide (right) Spring Screw (2)	128551	Looper Ball Crank Pitman Ball Screw Stud (right) Nut Locking Plate
190(805)	Thread (looper) Take-up Stripper Plate Support Plate Screw (4)	1485(805)	Needle Bar Connecting Stud Slide Block Guide Screw (2)	131133	Looper
190(809)	Thread (looper) Take-up Stripper Staple Screw (2)	1518(809)	Feed Rock Shaft Connecting Rod Hinge Screw Nut	131134	Looper 131133 with 129(809) and 131135
190(809)	Needle Guard Holder Bracket Screw	1518(809)	Feed Lifting Rock Shaft Connecting Rod Hinge Screw Nut	131135	Looper Needle Guard with 46195
190(809)	Needle Guard Holder Screw	1520(809)	Looper Ball Crank Pitman Ball Screw Stud (right) Nut	131696	Tension (looper thread) Thread Guide
190(809)	Needle Guard Screw	1520(809)	Looper Ball Crank Pitman Ball Screw Stud (right) Nut	131696	Tension (needle thread) Thread Guide
193(805)	Oil Wick Holder Tube Bracket Screw	1547(809)	Tension (needle thread) Releasing Shaft Stop Screw Nut	131740	Tension (looper thread) Spring
197(811)	Oil Removing Wick (head end) Hinge Plate and Cover Screw (4)	1607(819)	Feed Dog Stop Screw Nut	131741	Tension (needle thread) Spring
197(805)	Feed Lifting Rock Shaft Oil Wick Clamping Plate Screw	1628(819)	Thread (looper) Thread Tube Screw Stud Nut	131888-001	Slack Thread Controller
197(805)	Feed Rock Shaft Oil Wick Clamping Plate Screw	1664(809)	Looper Ball Crank Pitman End Bearing (left) Nut	131928	Looper Ball Crank Connection Cap (upper) Screw Stud Nut Lock Washer (2)
207(805)	Arm Shaft (horizontal) Flanged Bushing (back) Oil Sump Tube Holder Screw	1735(803)	Looper Ball Crank Pitman End Bearing (left) Nut	132790	Looper Ball Crank Connection Ball Sleeve (two pieces)
207(830)	Thread (looper) Take-up Thread Guide (left) Screw	2102	Tension (looper thread) Releaser and Releaser Slide Link Nut	139017	Arm Hole Plug Screw Washer (for use with 50608)
217(809)	Feed Eccentric Clamping Washer Screw (2)	2102	Tension (needle thread) Disc (2)	139111	Needle Bar Connecting Stud Slide Block
223(805)	Feed Lifting Rock Shaft Cap Screw (2)	4307	Tension Disc (looper thread) (2)	139134	Presser Foot Plate (back) (3, 3/2" to 5, 3/2" gauges)
223(805)	Feed Rock Shaft Cap Screw (short)	7071	Bed Slide (left) Spring	139137	Presser Foot Shank
225(819)	Tension (needle thread) Screw Stud Hole Plug	7071	Thread (needle) Eyelet (side of arm) Position Screw Washer	139148	Thread (looper) Take-up Stripper Staple
228(805)	Feed Lifting Rock Shaft and Feed Rock Shaft Oil Wick Holder Screw	12982	Feed Eccentric Clamping Washer (2)	139158	Thread (needle) Thread Guide
228(805)	Feed Bar Carrier Oil Wick Holder Screw (2)	13994	Looper Ball Crank Pitman Rod Oil Shield Screw Washer	139462	Presser Bar
229(809)	Looper Needle Guard Screw	14475	Needle Bar Bushing (upper)	139533	Needle Bar Connecting Link Screw Cap
229(809)	Thread (needle) Thread Guide Screw (2)	15444	Looper Ball Crank Pitman Rod Oil Shield Screw Washer	140050(809)	Face Plate Screw (upper)
231(805)	Looper Holder Rock Shaft Bracket Oil Plug Screw (back)	16532	Needle Bar Bushing (lower)	140061(809)	Face Plate Screw (lower) (3)
237(809)	Thread (looper) Take-up Thread Guide (right) Screw	20799-302	Tension (looper thread) Releaser Slide	140061(805)	Needle Bar Connecting Stud Clamping Screw
237(809)	Thread (looper) Take-up Stripper Plate Screw	21125-301	Arm Dowell Pin (2)	140180(809)	Thread Guide (front of arm) Screw
310(803)	Tension (needle thread) Releasing Shaft Stop Screw	26276	Needle Bar Bushing (lower)	140228(830)	Feed Rock Shaft Crank Clamping Screw
335(819)	Arm Top Cover and Stitch Regulator Cap Latch Screw	26276	Tension (looper thread) Releaser Slide	140230(803)	Feed Lifting Rock Shaft Connecting Rod Hinge Screw
440(830)	Feed Lifting Eccentric Set Screw (3)	26276	Presser Foot Plate (back) Hinge Pin	140230(803)	Feed Rock Shaft Connecting Rod Hinge Screw
447(830)	Feed Lifting Rock Shaft Bushing (back) Set Screw	32572	Presser Foot Plate (front) Hinge Pin	140239(830)	Needle Set Screw
447(830)	Feed Lifting Rock Shaft Bushing (front) Set Screw	37100	Presser Foot Plate Connection Spring	140239(809)	Slack Thread Controller Position Screw
448(830)	Looper Holder Rock Shaft Bushing (front) Set Screw	46105	Looper Needle Guard Pin	140296(830)	Oil Wick Position Bracket Screw
448(830)	Looper Holder Rock Shaft Bushing (back) Set Screw	50027(809)	Thread (looper) Thread Tube Thread Guide Screw	140296(830)	Arm Shaft (horizontal) Flanged Bushing (back) Set Screw
448(830)	Looper Ball Crank Hinge Pin Set Screw (2)	50123(805)	Oil Pump (centrifugal) Impeller Locking Screw	140296(830)	Arm Shaft (horizontal) Bushing (center) Set Screw
448(830)	Bed Rotary Shaft Bushing (back) Set Screw	50257(809)	Oil Flow Window Cap Screw (4)	140298(830)	Arm Shaft (upright) Bushing (lower) Set Screw
454(830)	Bed Rotary Shaft Collar Set Screw	50258(805)	Feed Rock Shaft Cap Screw (long)	140321(830)	Bed Rotary Shaft Oil Plug Screw
457(830)	Arm Shaft (horizontal) Thrust Collar Set Screw (2)	50326(803)	Tension (needle thread) Screw Stud	140331(830)	Arm Shaft (horizontal) Flanged Bushing (front) Set Screw
460(830)	Feed Rock Shaft Collar Set Screw (2)	50328(803)	Feed Regulating Screw	140333(830)	Arm Shaft (horizontal) Bevel Gear Position Screw
460(830)	Feed Lifting Rock Shaft Collar Set Screw (4)	50504(830)	Arm Shaft (upright) Bushing (upper) Set Screw	140359(805)	Arm Shaft (horizontal) Screw Plug (front)
465(830)	Thread (looper) Take-up Set Screw	50554(830)	Bed Rotary Shaft Bushing (front) Set Screw	140359(805)	Feed Rock Shaft Oil Plug Screw
624(830)	Tension (needle thread) Releasing Shaft Crank Set Screw	50555(805)	Arm Shaft (horizontal) Plug Screw	140359(805)	Feed Lifting Rock Shaft Oil Plug Screw
624(830)	Looper Set Screw	50579(809)	Feed Bar Slide Block Oil Wick Holder Screw	140439(805)	Looper Holder Rock Shaft Oil Plug Screw
624(830)	Feed Rock Shaft Bushing (front) Set Screw	50579(819)	Needle Bar Thread Guide Screw	140440(819)	Needle Bar Bushing (upper) Oil Plug Screw
691(806)	Throat Plate Screw (2)	50608(813)	Arm Hole Plug Screw (for access to Needle Bar Bushing Oil Wick)	140442(803)	Tension (looper thread) Screw Stud
724(809)	Thread (needle) Eyelet (side of arm) Screw	51061(830)	Feed Eccentric Body Set Screw (3)	140443(809)	Tension (needle thread) Bracket Screw
725(819)	Bed Slide (left) Spring Screw (2)	51282(819)	Attachment Slide Spring Screw	140542(830)	Needle Bar Crank Position Screw
802(819)	Presser Bar Lifting Lever Hinge Screw	51283(830)	Machine Pulley Set Screw (2)	140552(830)	Needle Bar Connecting Link Hinge Stud Clamping Screw
807(819)	Presser Bar Guide Bracket Lifter Hinge Screw	51320(830)	Looper Ball Crank Arm Clamping Screw	140553(805)	Oil Removing Wick (head end) Holder Body Hinge Screw
890(830)	Looper Ball Crank Connection Cap (lower) Screw (2)	51369(813)	Arm Top Cover Screw (4)	140610	Arm Hole Plug Screw
890(830)	Looper Avoiding Eccentric Connection Clamping Screw (2)	51369(805)	Oil Lead Screw	140640(805)	Looper Holder Rock Shaft Bracket Oil Plug Screw (front)
		51460(805)	Looper Ball Crank Pitman Rod Oil Shield Screw	140695(819)	Feed Dog Stop Screw
		51570(803)	Tension (needle thread) Regulating Thumb Nut	140734(805)	Looper Holder Rock Shaft Bracket Screw (2)
		51570(803)	Tension (looper thread) Regulating Thumb Nut	141001(818)	Pressure Regulating Thumb Screw
		51614(818)	Pressure Regulating Thumb Screw Nut	141139(869)	Machine Base and Oil Reservoir Drain Plug
		51715(830)	Looper Ball Crank Connection Cap (upper) Screw Stud Nut (2)	141280(805)	Feed Lifting Rock Shaft Crank (back) Clamping Screw
		51769(803)	Looper Ball Crank Pitman Rod Nut		
		52266	Feed Bar Slide Block		

PART NO.	DESCRIPTION	PART NO.	DESCRIPTION	PART NO.	DESCRIPTION
142358	Presser Foot Plate (front)	146115-001	Tension (looper thread) Releaser, Nos. 82(803), 1735(803), 21125-001, 146620, 146792, 146793, 146795, 146796, 146797 and two 72(803)	146626	Thread (looper) Take-up Stripper Plate Support Plate (2) NOTE: One No. 146626 screwed onto Machine Bed.
142359	Presser Foot Plate Connection			146627	Thread (looper) Take-up Thread Guide (left)
142363	Feed Dog, for use with 120202 and 146248-001 or 146248-002	146117	Tension (looper thread) Thread Guard	146628	Thread (looper) Take-up Thread Guide (right)
142385	Attachment Slide	146120	Thread (needle) Take-up with 147079	146629	Thread (needle) Thread Guide Bracket
142386	Attachment Slide complete, Nos. 51282(819), 142385 and 146874	146125	Needle Bar (hollow) with 140239(830)	146632	Thread (looper) Thread Tube Thread Guide
143015	Arm Shaft (upright) Bevel Gear (upper) left hand Spiral with two 1259(830)	146126	Needle Bar complete, Nos. 50579(819), 146125 and 146962	146640	Machine Pad (felt)
143015	Arm Shaft (upright) Bevel Gear (lower) left hand Spiral with two 1259(830)	146127	Bed Slide (right) Body	146657	Oil Pump (centrifugal) Screen
143024	Bed Hole Plug	146128	Bed Slide (right) complete, Nos. 146612, 146688, 146689, 146690, 146691 and four 1470(819)	146658	Oil Pump (centrifugal) Screen Frame
143031	Feed Bar Carrier Oil Wick (felt) (For oiling Feed Bar Connecting Link)	146148	Machine Base and Oil Reservoir with 141139(869)	146659	Oil Pump (centrifugal) Body
143032	Feed Bar Carrier Oil Wick Holder	146150	Machine Base and Oil Reservoir Gasket	146671	Thread (looper) Thread Tube Screw Stud Nut Washer
143039	Feed Lifting Rock Shaft Cap	146151	Machine Base and Oil Reservoir	146676	Presser Bar Guide Bracket Lifter
143040	Feed Lifting Rock Shaft Connecting Rod	146150	Machine Base and Oil Reservoir	146688	Bed Slide (right) Latch
143049	Feed Rock Shaft Connecting Rod	146202	Presser Foot (triple hinged) complete, Nos. 37100, 139134 (3 32" to 5 32" gauges), 139137, 142358, 142359 and three 2027s for use with 142363 and 146248-001 or 146248-002	146689	Bed Slide (right) Latch Guide
143052	Feed Lifting Rock Shaft and Feed Rock Shaft Oil Wick Holder		NOTE: No. 146202 is furnished as regular to the machine.	146690	Bed Slide (right) Latch Spring
143061	Oil Flow Body Gasket (2)	146225	Looper Holder Rock Shaft with 140439(805)	146691	Bed Slide (right) Spring
143062	Oil Flow Window	146226	Looper Holder Rock Shaft Bushing (back)	146693	Machine Base and Oil Reservoir Oil Return Wick
143063	Oil Flow Window Cap	146227	Looper Holder Rock Shaft Bushing (front)	146694	Presser Bar Guide Bracket with 1057(830)
143065	Oil Pipe Clamping Sleeve	146234	Looper Avoiding Eccentric Connection (forked) with two 89(830)	146698	Oil Removing Wick (head end) Holder Body Spring
143066	Oil Pipe Clamping Sleeve Nut	146238	Thread (looper) Thread Tube	146703	Needle Bar Bushing (lower and upper) Oil Wick Clamp and Retainer
143071	Oil Pump (centrifugal) Body Position Pin (2)	146240	Feed Bar	146730	Looper Ball Crank Pitman End Bearing (left) and two 175(830) (for Agents only)
143073	Oil Pump (centrifugal) Impeller	146241	Feed Bar 146240 with 1607(819) and 146695(819)	146741	Looper Holder 146018 with 1604(809), 146567 and two 175(830)
143124	Oil Pipe Clamping Sleeve (4)	146244	Feed Lifting Rock Shaft Crank (front) 146889 with 50597(809), 52267, 146539 and 146581	146743	Needle Guard Holder Bracket
143125	Oil Pipe Clamping Sleeve Nut (4)	146245	Machine Base and Oil Reservoir Oil Return Wick Position Pad (felt)	146745	Oil Removing Wick (head end) Holder Body
143126	Looper Holder Rock Shaft Bracket	146247	Throat Plate for use with 142357 and 146202	146751	Presser Bar Bushing (lower)
143126	Oil Pipe Clamping Sleeve Adaptor for 146024 (2)	146248-002	Throat Plate for use with 146202	146790	Arm Shaft (horizontal) Flanged Bushing (back) Oil Sump Tube
143126	Oil Pipe Clamping Sleeve Adaptor (fastened to Looper Ball Crank Hinge Pin)	146505	Arm Shaft (upright) Bushing (lower)	146792	Tension (looper thread) Releaser
143236	Feed Rock Shaft Oil Plug Screw Washer (fiber)	146508	Arm Top Cover Gasket	146793	Tension (looper thread) Releaser Fastening Plate
143236	Feed Lifting Rock Shaft Oil Plug Screw Washer (fiber)	146512	Machine Pulley with two 51283(830)	146795	Tension (looper thread) Uncurler
143236	Arm Shaft (horizontal) Screw Plug, (front) Washer (fiber)	146517	Bed Rotary Shaft Bevel Gear, right hand spiral with two 1259(830)	146796	Tension (looper thread) Uncurler Plate (back)
143372	Oil Lead	146518	Bed Rotary Shaft Bushing (back)	146797	Thread (looper) Uncurler Plate (front)
143447-001	Face Plate	146519	Bed Rotary Shaft Bushing (front)	146864	Arm Shaft (horizontal) Bevel Gear, with 140333(830) and two 1259(830)
143490	Needle Bar Bushing (lower and upper) Oil Wick	146521	Bed Slide (left)	146867	Arm Top Cover
143491	Needle Bar Bushing (lower and upper) Oil Wick complete, Nos. 143490, 146703 and two 13994	146522	Bed Slide (left) complete, Nos. 4307, 146521 and two 725(819)	146868	Arm Top Cover and Stitch Regulator Cap
143492	Needle Bar Bushing (lower and upper) Oil Wick Guide Tube (inside face of arm)	146539	Feed Bar Slide Block Oil Wick Holder	146869	Arm Top Cover and Stitch Regulator Cap complete, Nos. 335(819), 146868, 146870 and 146871
143494-001	Needle Bar Connecting Link with 129533 and 143495	146550	Looper Avoiding Eccentric with two 1259(830)	146870	Arm Top Cover and Stitch Regulator Cap Gasket
143495	Needle Bar Connecting Stud with 140061(805) and 146517	146551	Arm Screw Stud (back) (2)	146871	Arm Top Cover and Stitch Regulator Cap Latch
143496	Needle Bar Connecting Stud Slide Block Guide	146552	Arm Screw (front) (2)	146874	Attachment Slide Spring
143510	Presser Bar Lifting Lever	146554	Looper Avoiding Eccentric Slide Block	146881	Feed Bar Slide Block Oil Wick
143511-002	Presser Bar Lifting Lever Spring	146556	Looper Ball Crank	146883	Feed Eccentric (adjustable) complete, Nos. 50328(803), two each 217(809), 7071 and three 51061(830)
143512-001	Presser Bar Spring	146557	Looper Ball Crank Connection with two 131428 (Agents only)	146889	Feed Lifting Rock Shaft Crank (front) with 137(819)
143543	Face Plate Gasket	146558	Looper Ball Crank Connection with 132796, 146555, 164232 and two 131925 (for Agents only)	146891	Feed Rock Shaft Oil Wick
143570	Thread Guide (front of arm)	146559	Looper Ball Crank Hinge Pin	146891	Feed Lifting Rock Shaft Oil Wick
143619	Needle Bar Connecting Stud Oil Wick (felt)	146567	Looper Holder Bushing (eccentric)	146892	Feed Lifting Rock Shaft Oil Wick (long)
144443(804)	Tension (needle thread) Bracket Screw	146593	Oil Pipe	146896	Feed Rock Shaft Oil Wick (long) Looper Ball Crank Arm with 51320(830)
146013	Looper Holder with 924(830) and 896(830)	146597	Oil Pipe complete from Oil Pump to Arm Shaft (horizontal) Center Bearing 146593 with 143055 and 143086 (Agents only)	146911	Pair of Mated Gears for Upper Shaft, Nos. 143015 and 146864 (for Agents only)
146022	Oil Pipe with two each 143124 and 143125 for oiling Looper Rock Shaft Hinge Pin	146600	Oil Pump (centrifugal) Cover	146914	Feed Lifting Eccentric with three 440(830)
146024	Oil Pump (centrifugal) Body 146659 with 146025 and two 143126	146603	Thread (looper) Take-up Stripper Plate 146625 with 237(804), 13-148, 146623, 146624, 146626, 146628 and two 190(809)	146923	Looper Ball Crank Arm 146897 with 1320(809), 123551 and 146919
146025	Oil Pump (centrifugal) Body Plug	146604	Oil Wick for oiling Looper Ball Crank Pitman End Bearing (left)	146947	Looper Ball Crank Pitman Rod Oil Shield
146031	Thread (needle) Eyelet (side of arm)	146605	Oil Wick Holder	146948	Looper Ball Crank Pitman Ball Screw Stud (right)
146075	Arm shaft (horizontal) with 1330(830) and 140542(830)	146606	Oil Wick Position Bracket with 140239(830)	146962	Needle Bar Thread Guide
146077	Arm shaft (horizontal) 146075 with 140359, 143236 and 143494-001	146612	Presser Bar Spring Guide Pin	146963	Looper Ball Crank Pitman Rod
146078	Bed Leg (back)	146616	Pair of Mated Gears for Lower Shaft (Nos. 143015 and 146517) (for Agents only)	146964	Looper Ball Crank Pitman Rod 146963 with 51769(803)
146079	Bed Leg (front, long)	146618	Tension (looper thread) Screw Stud 140442(803) with 31570(302)	147005-001	Arm Shaft (horizontal) Flanged Bushing (front)
146081	Bed Rotary Shaft	146620	Tension (looper thread) Releaser	147022	Feed Bar Carrier with two each 158(805) and 176(805)
146091	Feed Rock Shaft	146622	Slide Connecting Link	147023	Feed Bar Carrier Hinge Pin
146092	Feed Rock Shaft, Nos. 197(805), 140359(805), 143236, 146091, 146891, 146896, 147047 and length of 122" Wicking	146623	Tension (needle thread) Releasing Shaft Crank Connecting Link	147024	Feed Bar Carrier Oil Wick Holder 143032 with 143031
146094	Feed Lifting Rock Shaft Crank with 140228(830)	146624	Thread (looper) Take-up with 455(430)	147028	Feed Rock Shaft Bushing (back)
146095	Feed Lifting Rock Shaft	146625	Thread (looper) Take-up Stripper Washer (fiber)	147028	Feed Lifting Rock Shaft Bushing (back)
146096	Feed Lifting Rock Shaft, Nos. 197(805), 140359(805), 143236, 146095, 146891, 146892, 147047 and length of 122" Wicking	146626	Thread (looper) Take-up Stripper Washer (fiber)	147029	Feed Rock Shaft Collar with two 460(830)
146097	Feed Rock Shaft Bushing (front)	146628	Thread (looper) Take-up Stripper Thread (looper) Take-up Stripper Holder with 706(830)	147029	Feed Lifting Rock Shaft Collar with two 460(830) (2)
146098	Feed Rock Shaft Cap	146625	Thread (looper) Take-up Stripper Plate	147037	Feed Lifting Rock Shaft Oil Wick (short) (2) (for Agents)
146099	Feed Rock Shaft Crank with 140228(803)				
146105	Looper Holder Hinge Pin				
146106	Looper Holder Hinge Pin Spacer				
146108	Needle Guard				
146109	Needle Guard Holder				
146110	Oil Pipe with two each 143124 and 143125				
146111	Presser Bar Lifting Lever Extension				

PART NO.	DESCRIPTION
147042	Feed Lifting Rock Shaft Bushing (front)
147045	Feed Rock Shaft Oil Wick (short) (2) For Agents
147047	Feed Lifting Rock Shaft Oil Wick Clamping Plate
147047	Feed Rock Shaft Oil Wick Clamping Plate
147055	Oil Removing Wick (head end) Hinge Plate and Cover Gasket
147070	Arm Hole Plug Screw Washer (for use with 140610)
147079	Thread (needle) Take-up Thread Eyelet Bushing
147107	Oil Removing Wick (head end)
147109	Looper Holder Rock Shaft Bracket
	Oil Plug Screw (front) Washer (fiber)
147111-001	Arm Shaft (upright) Bushing (upper)
147112-001	Arm Shaft (horizontal) Flanged Bushing (back)
147468	Arm Shaft (horizontal) Thrust Collar with two 457(830)
149205	Oil Removing Wick (head end) Hinge Plate and Cover
149206	Oil Removing Wick (head end) Holder Body complete, Nos. 140553(805), 146698, 146745, 147055, 147107 and 149205
151560	Machine Pad (felt, left back)
151561	Machine Pad (felt, left front)
152503	Arm Shaft (horizontal) Bushing (center)
164232	Looper Ball Crank Connection Ball Sleeve Guide

ACCESSORIES

PART NO.	DESCRIPTION
12361	Machine Hinge Connection (2)
151159	Machine Rest Pad (rubber)
232333(805)	Machine Rest Pad Nail
41564	Machine Rest Pin
120344	Oiler (with spout)
121741	Quart Can (light grade) Oil
120341	Tweezers (curved)
KNEE LIFTER PARTS	
146168	Chain, length 13-1/2 in. with hooks
12501	Chain Pulley
141054(850)	Chain Pulley Hinge Screw Stud
1608(850)	Chain Pulley Hinge Screw Stud Nut
146169	Rock Shaft
146171	Rock Shaft Crank Gollar
143283	Rock Shaft Knee Arm
147489	Rock Shaft Knee Arm Hub
2767	Rock Shaft Knee Arm Plate
146236	Rock Shaft Lifting Lever
146768	Rock Shaft Spring
1115(819)	Rock Shaft Spring Screw
147483	Rock Shaft Stop Dog (2)
FOOT LIFTER	
(Furnished on request in place of Knee Lifter Parts)	
150452	Foot Lifter Treadle, complete