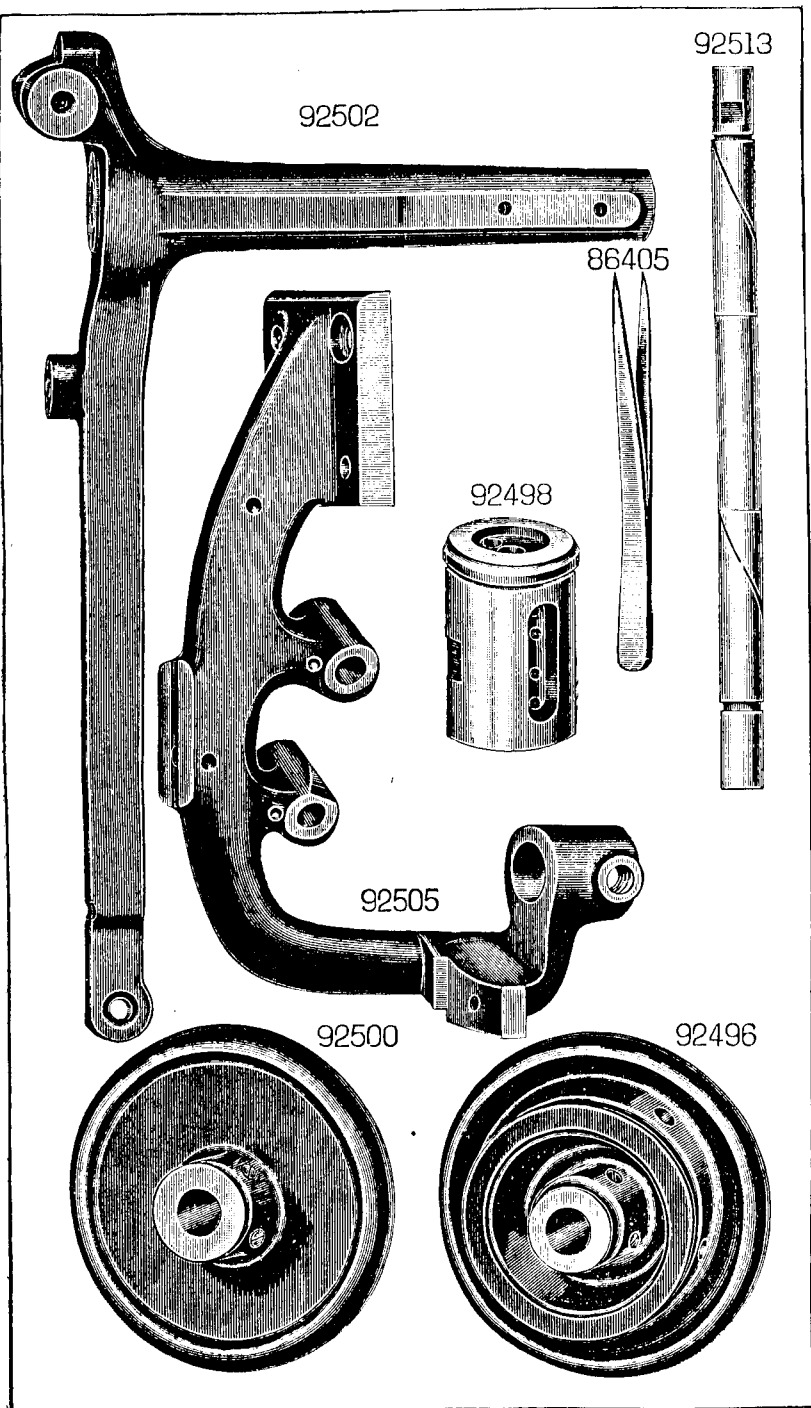


**SINGER**  
**46K40 to K44**

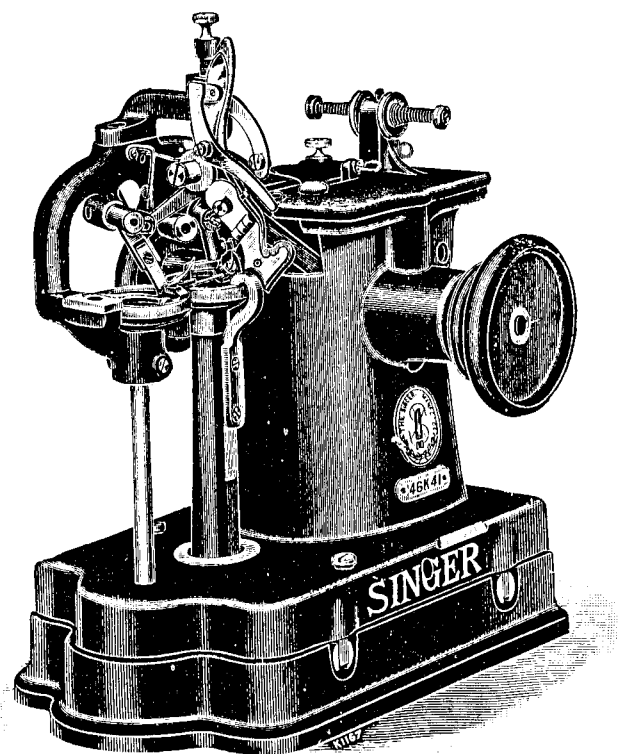


Form K2329  
 Supersedes K1760  
 August, 1922

## ILLUSTRATED LIST OF PARTS

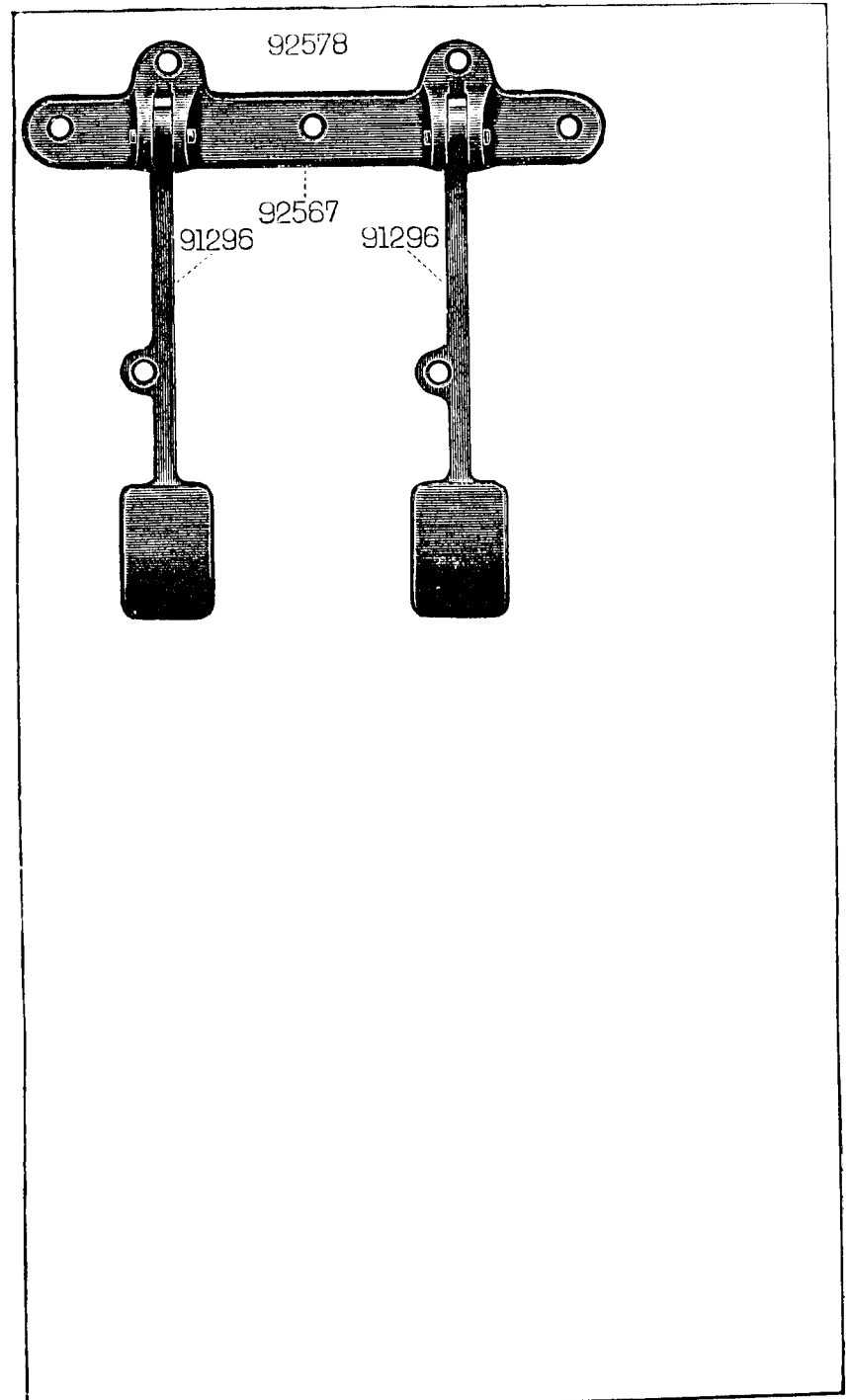
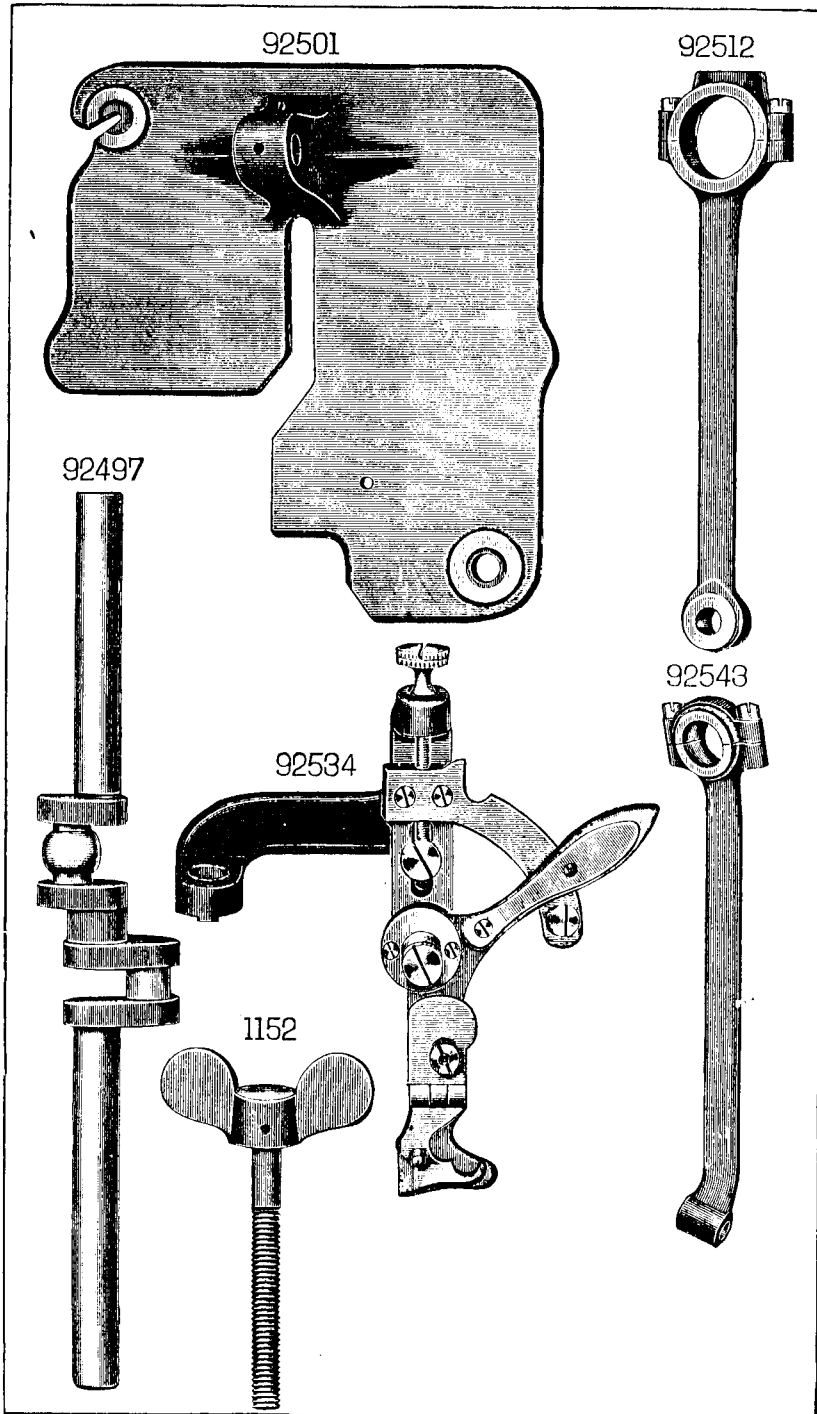
FOR

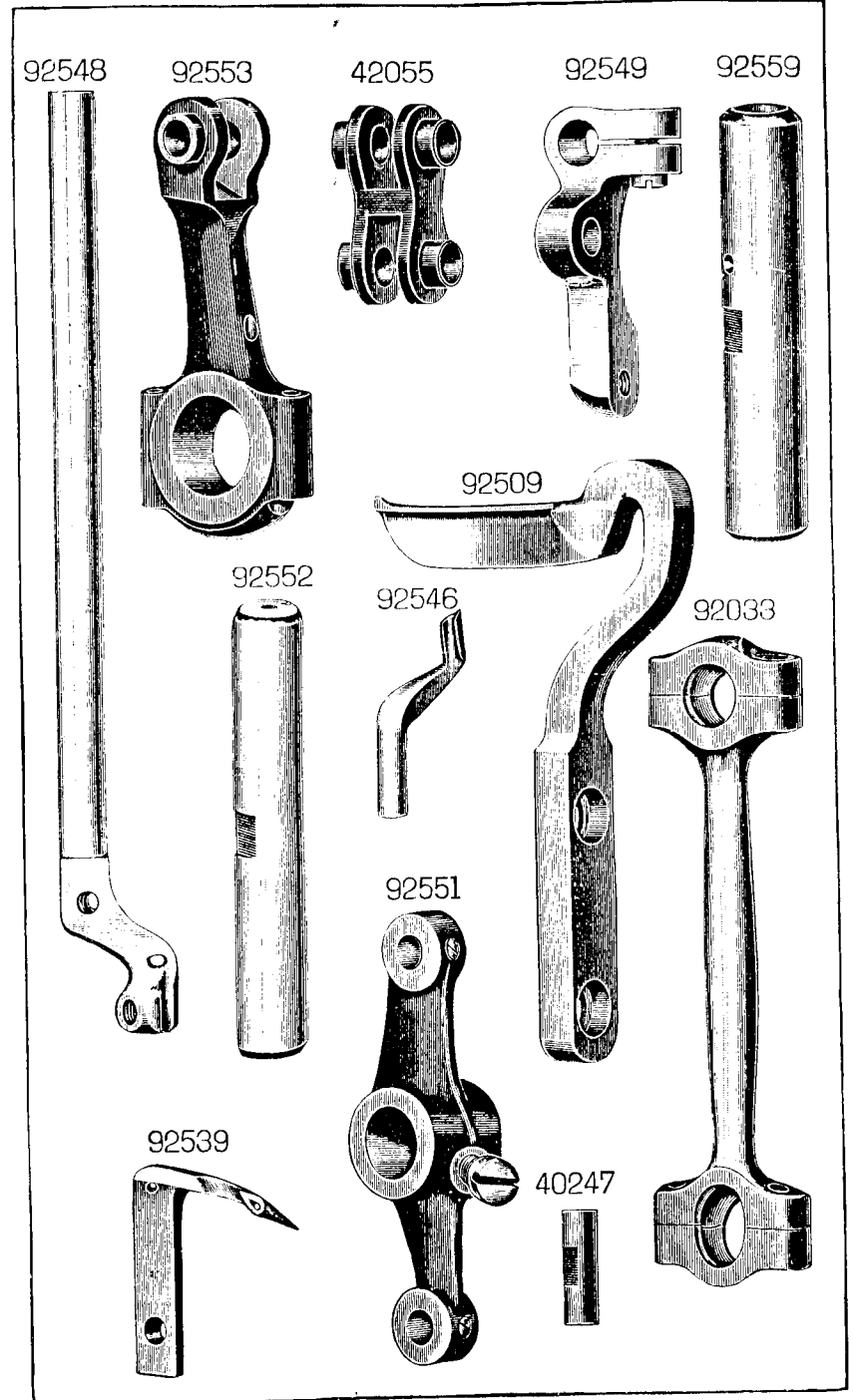
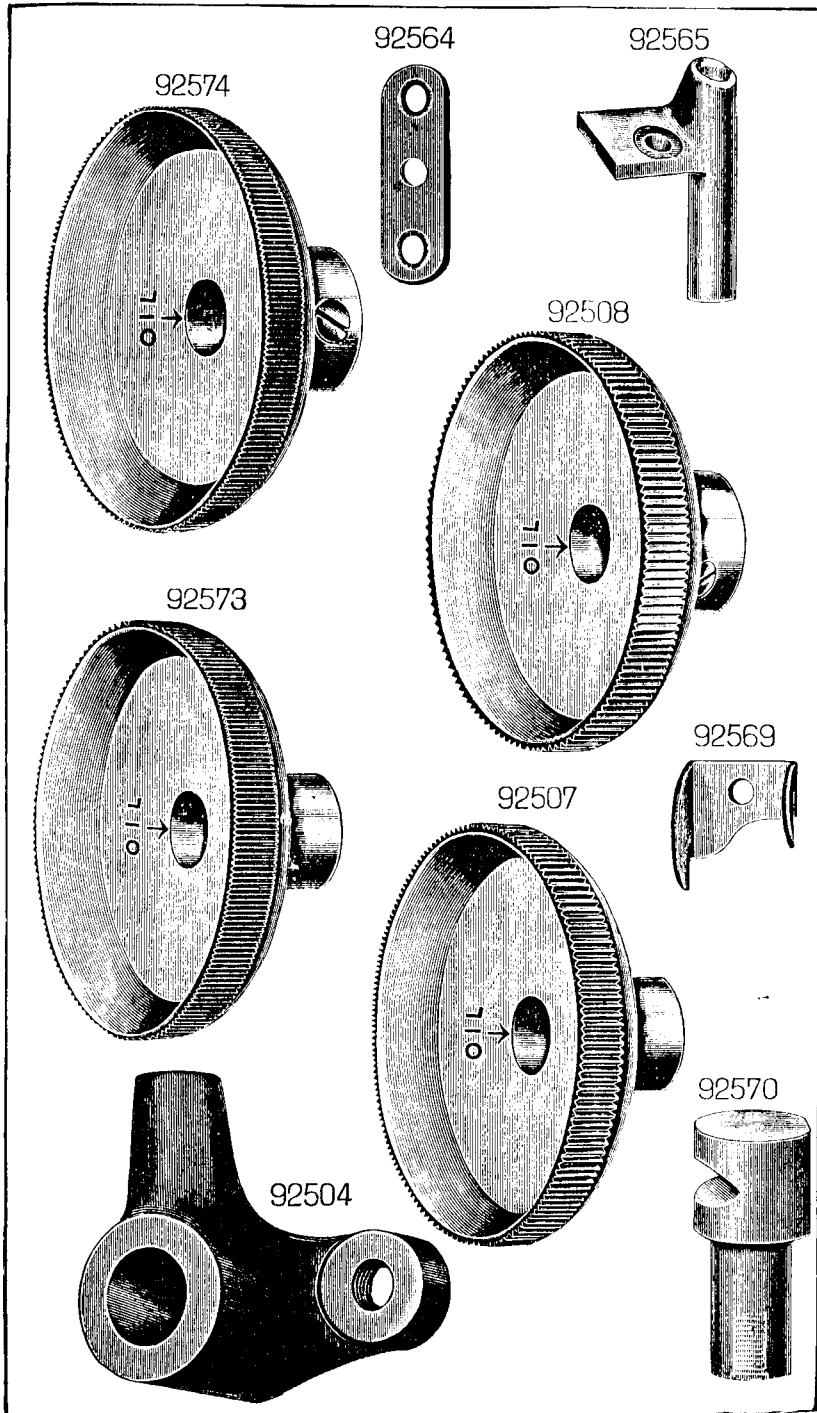
Nos. 46K40 to 46K44 Machines

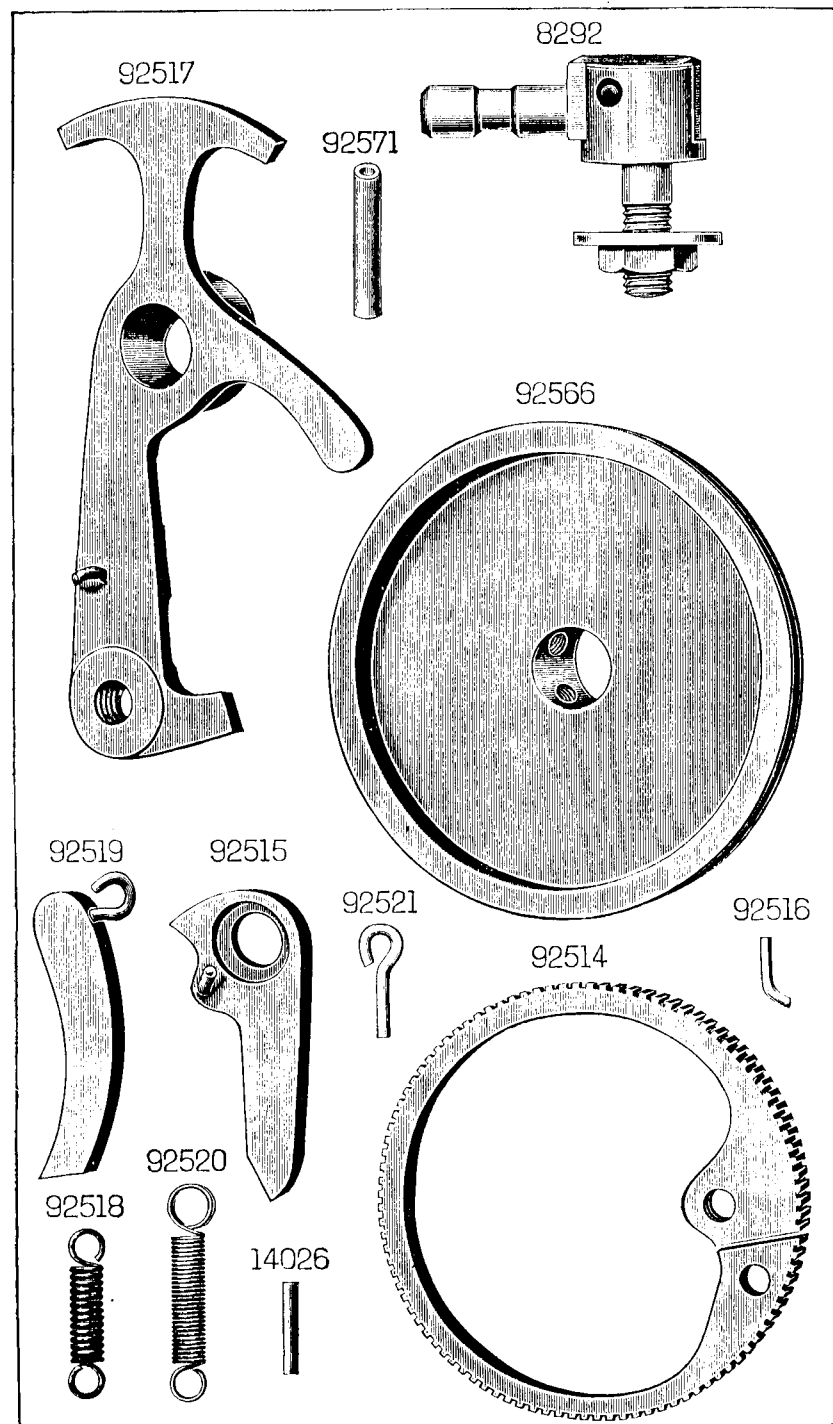
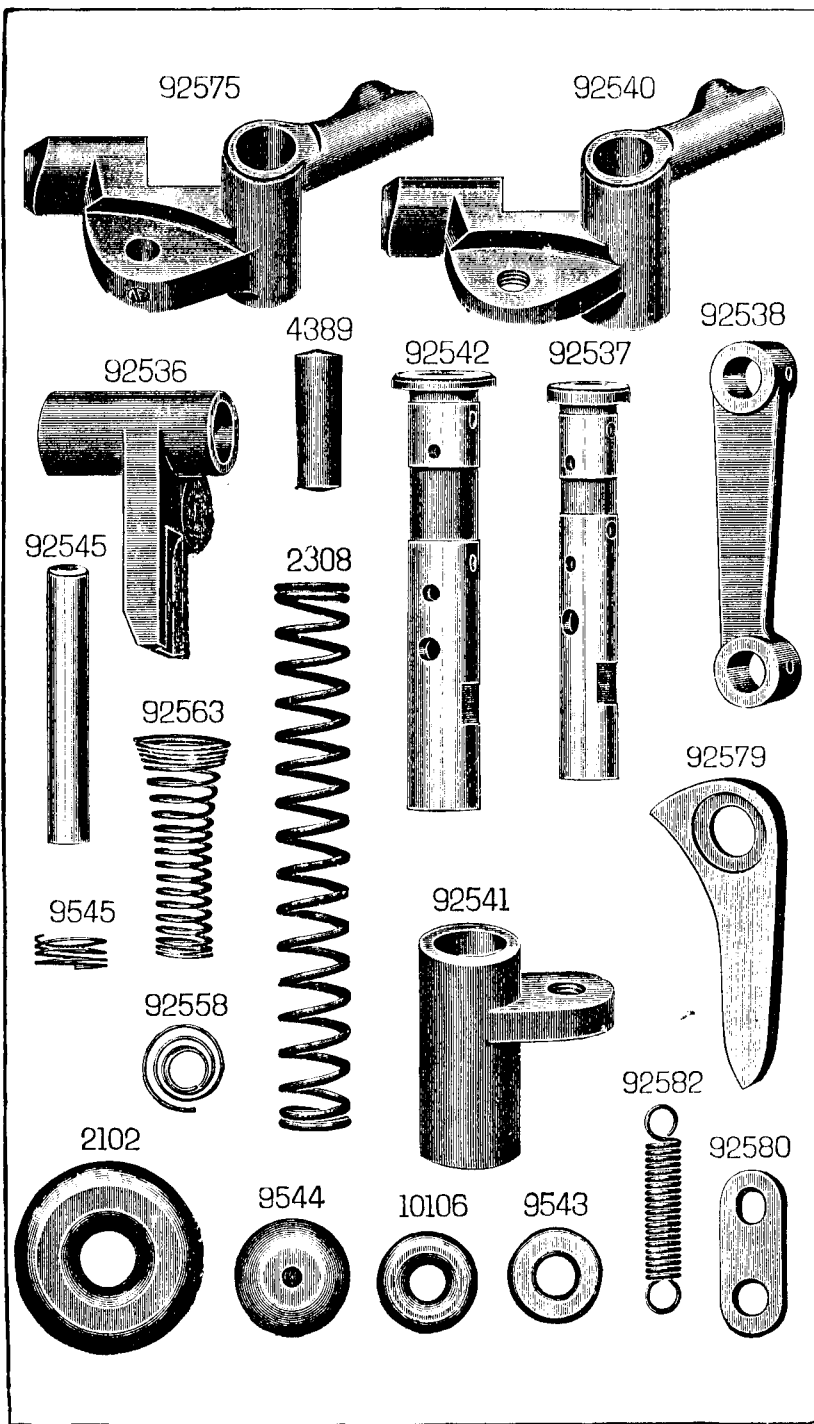


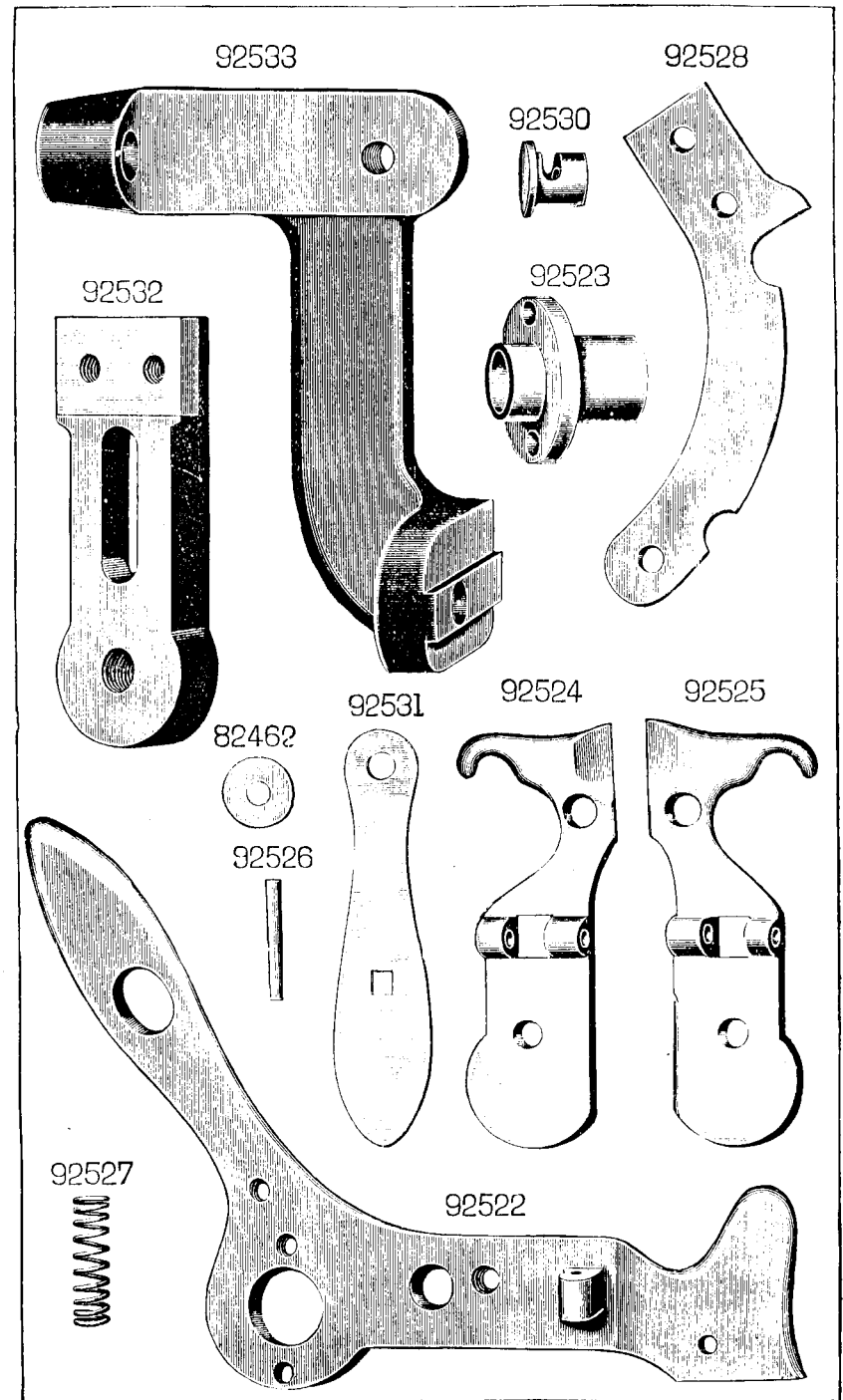
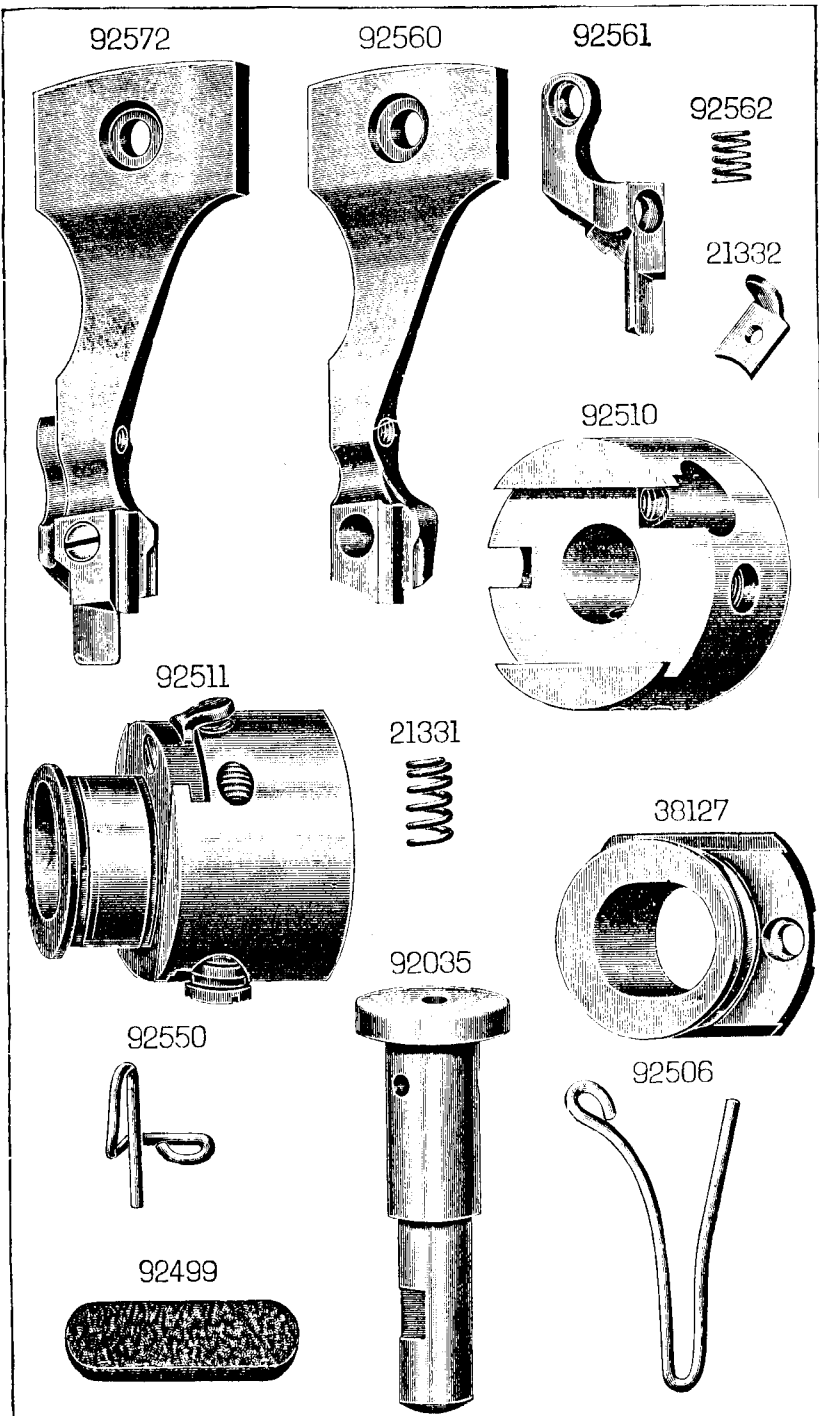
Machine No. 46K41

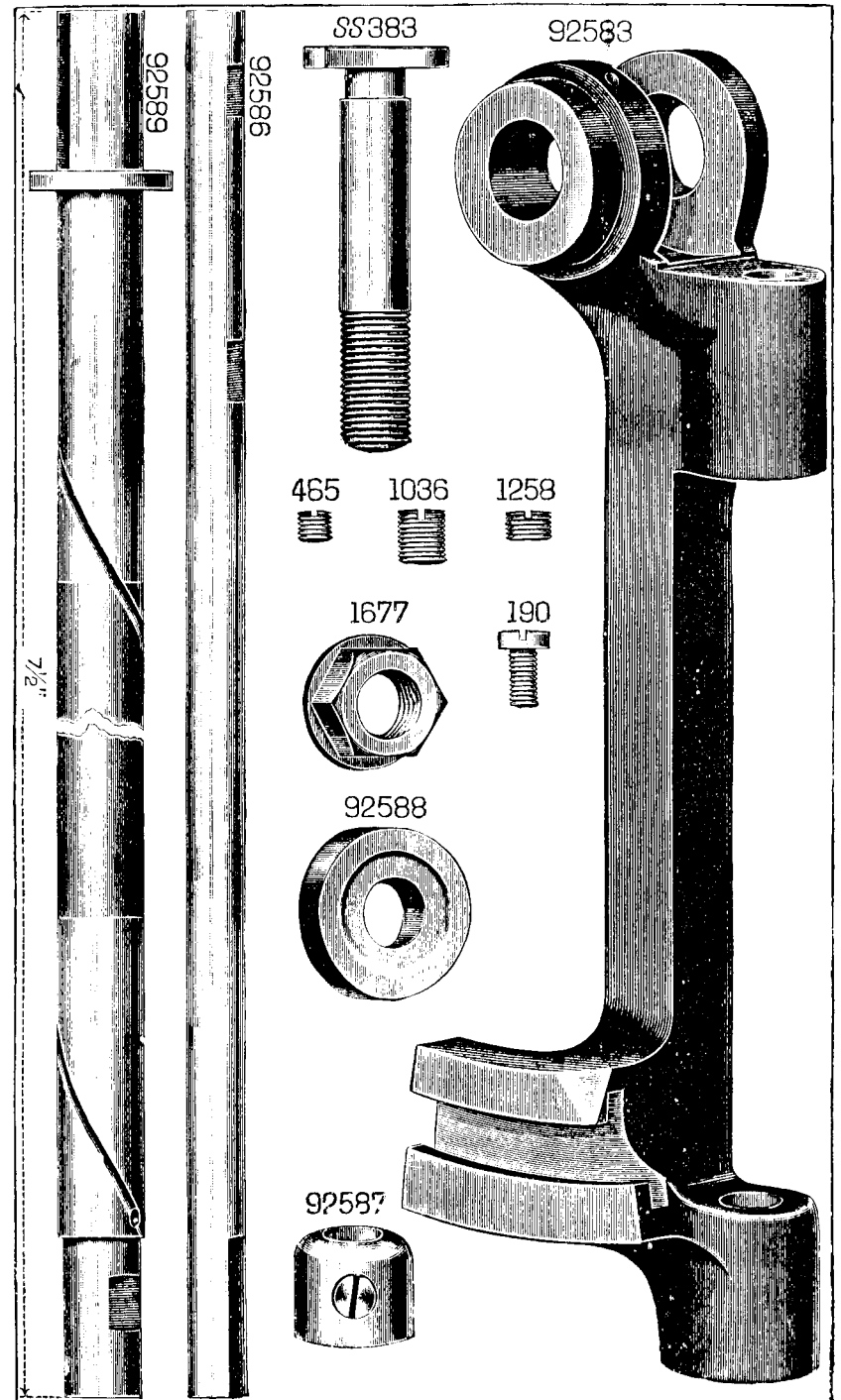
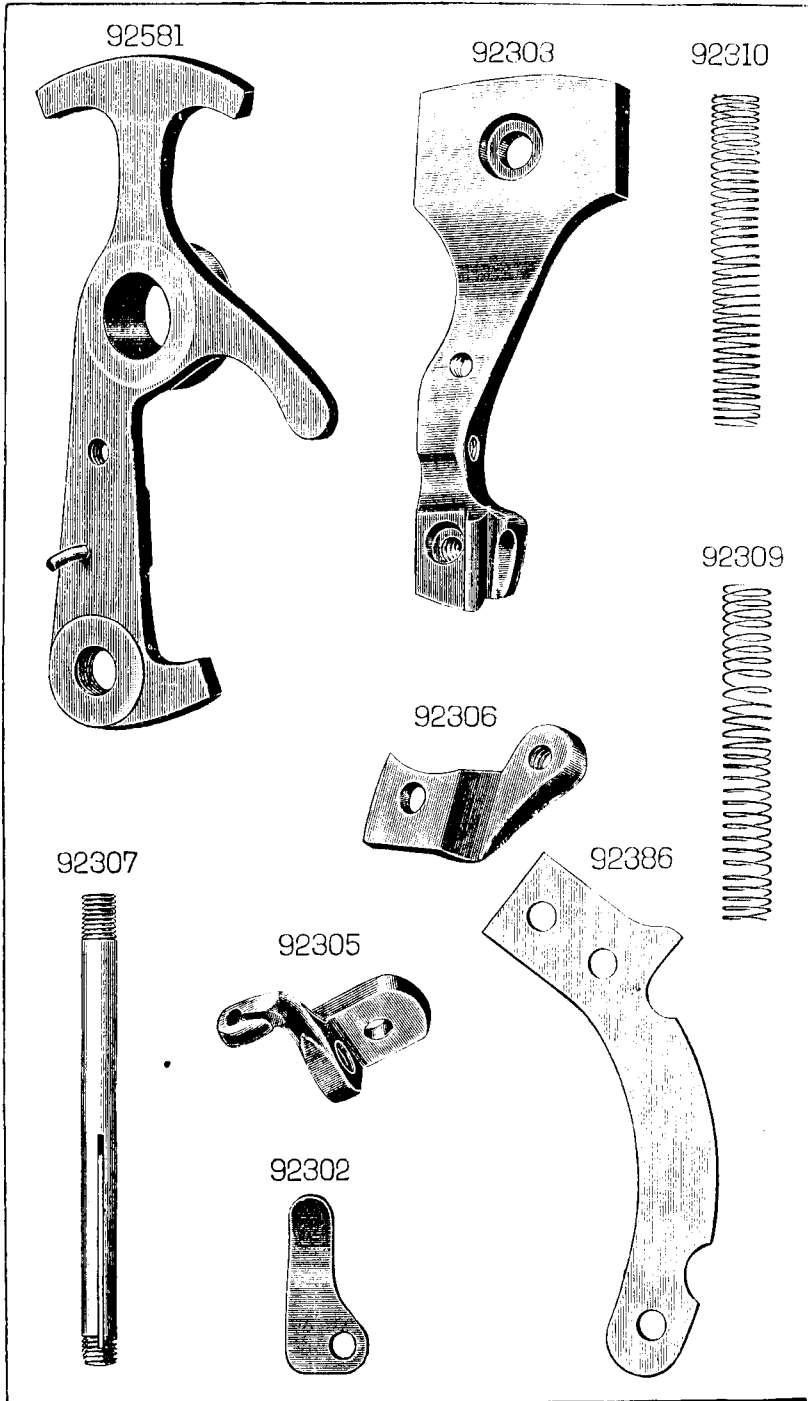
THE SINGER MANUFACTURING COMPANY

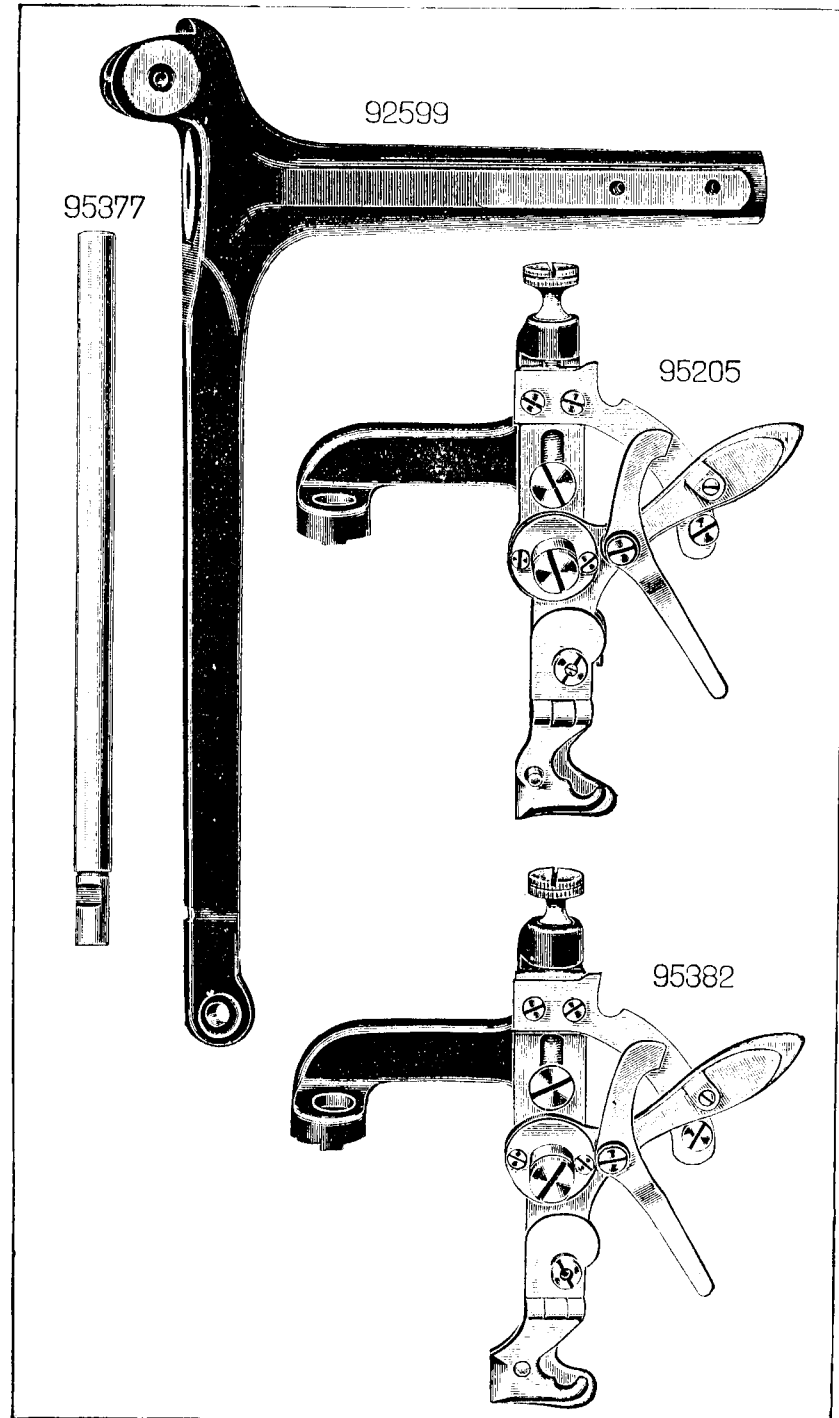
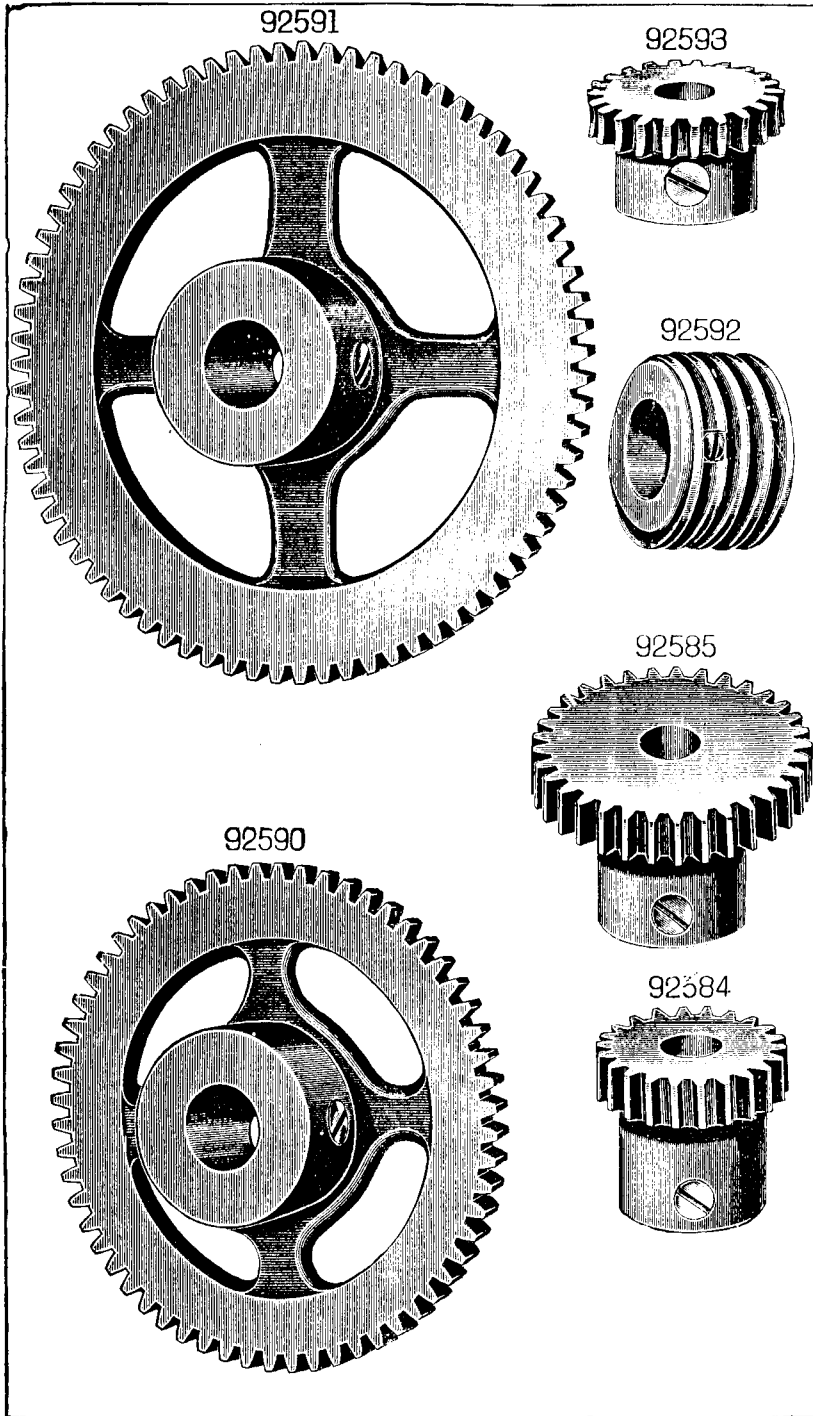




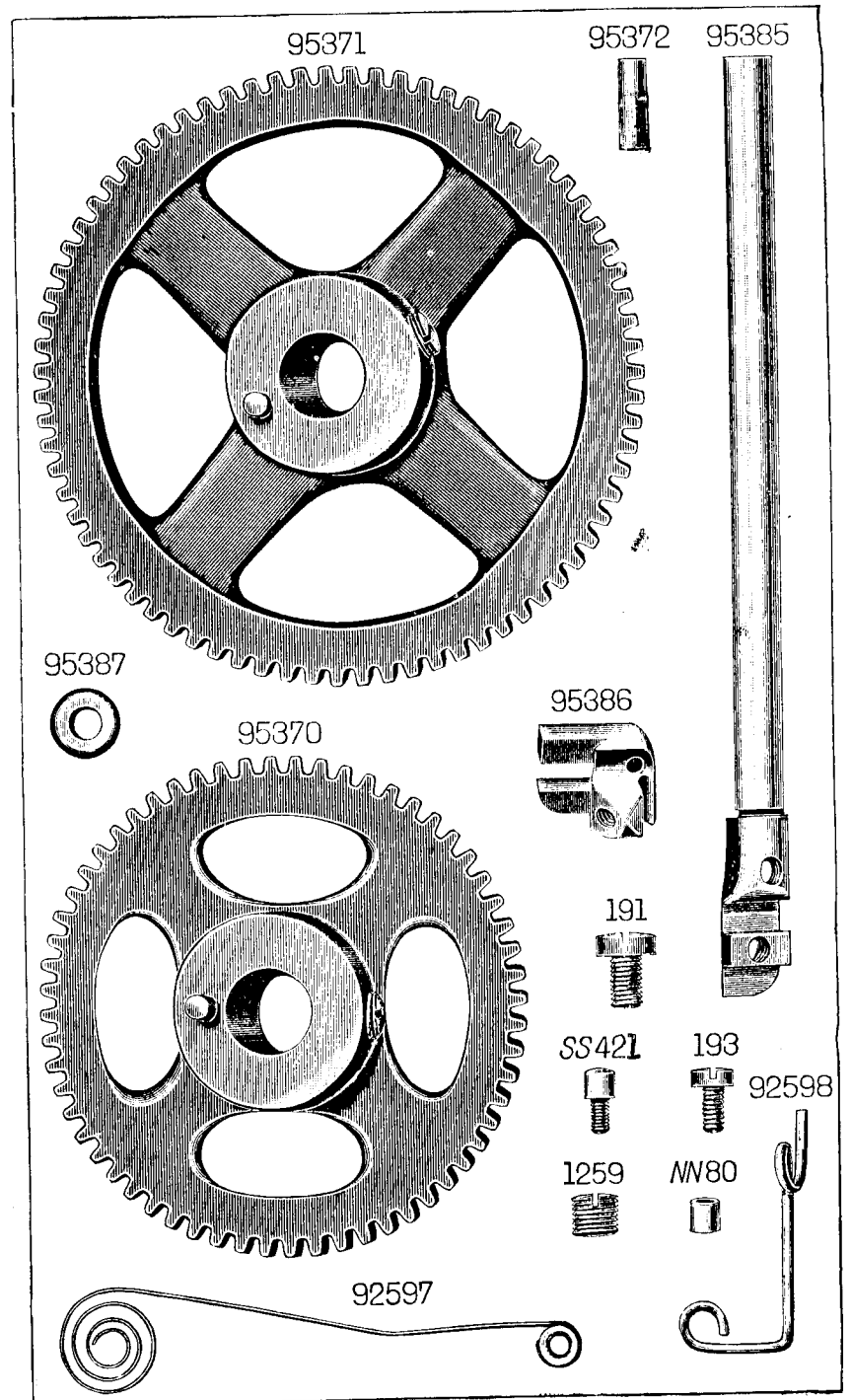
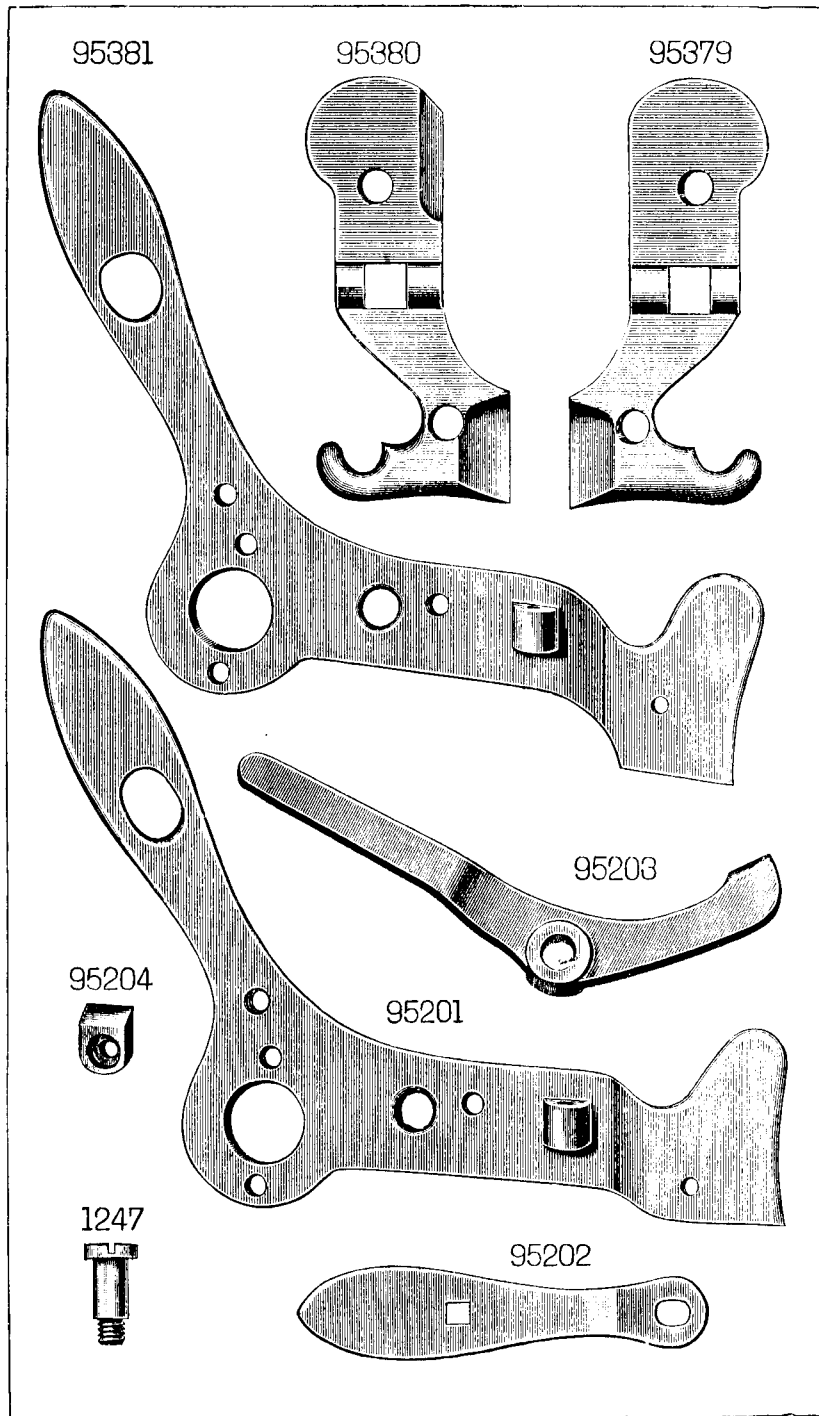


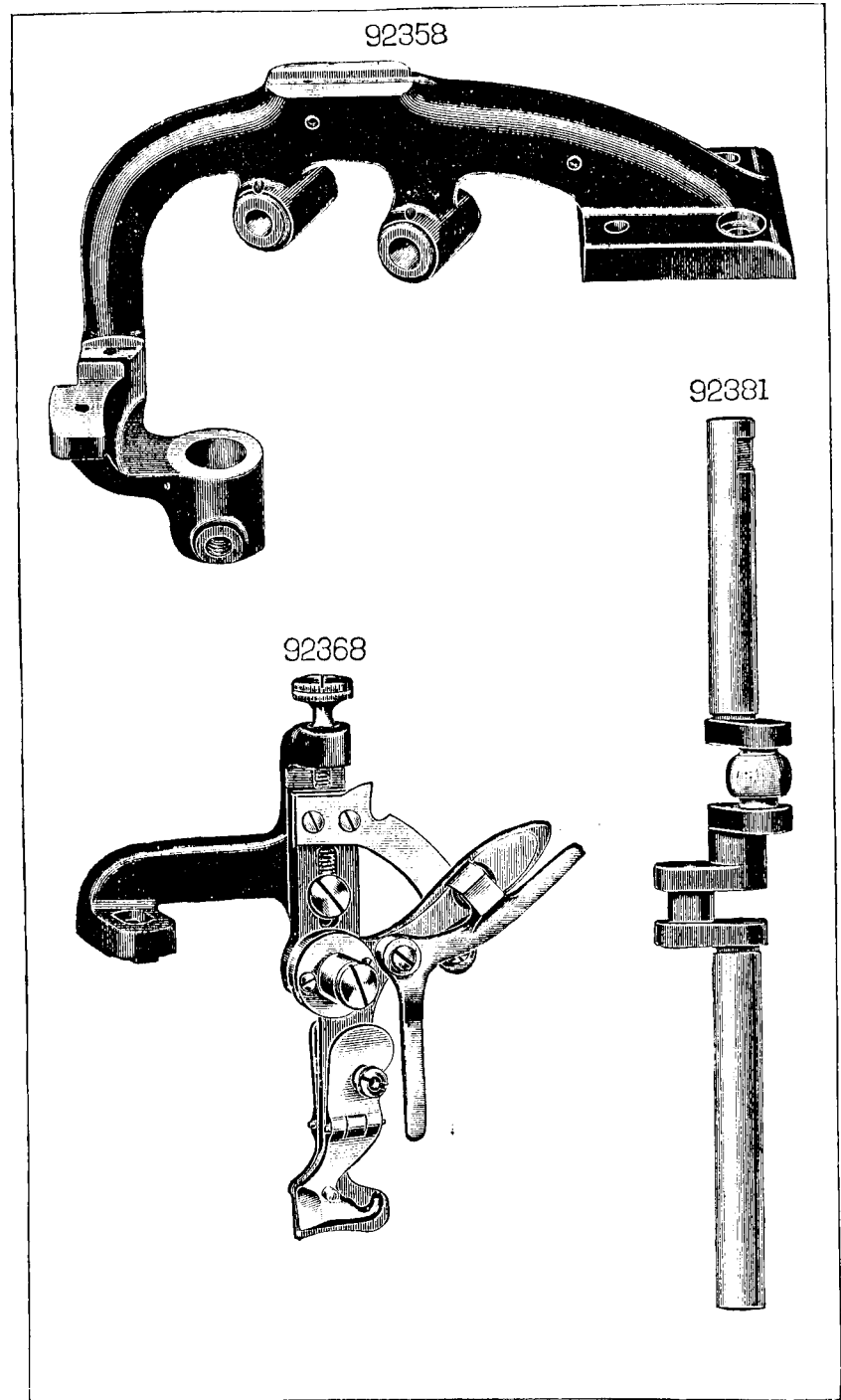
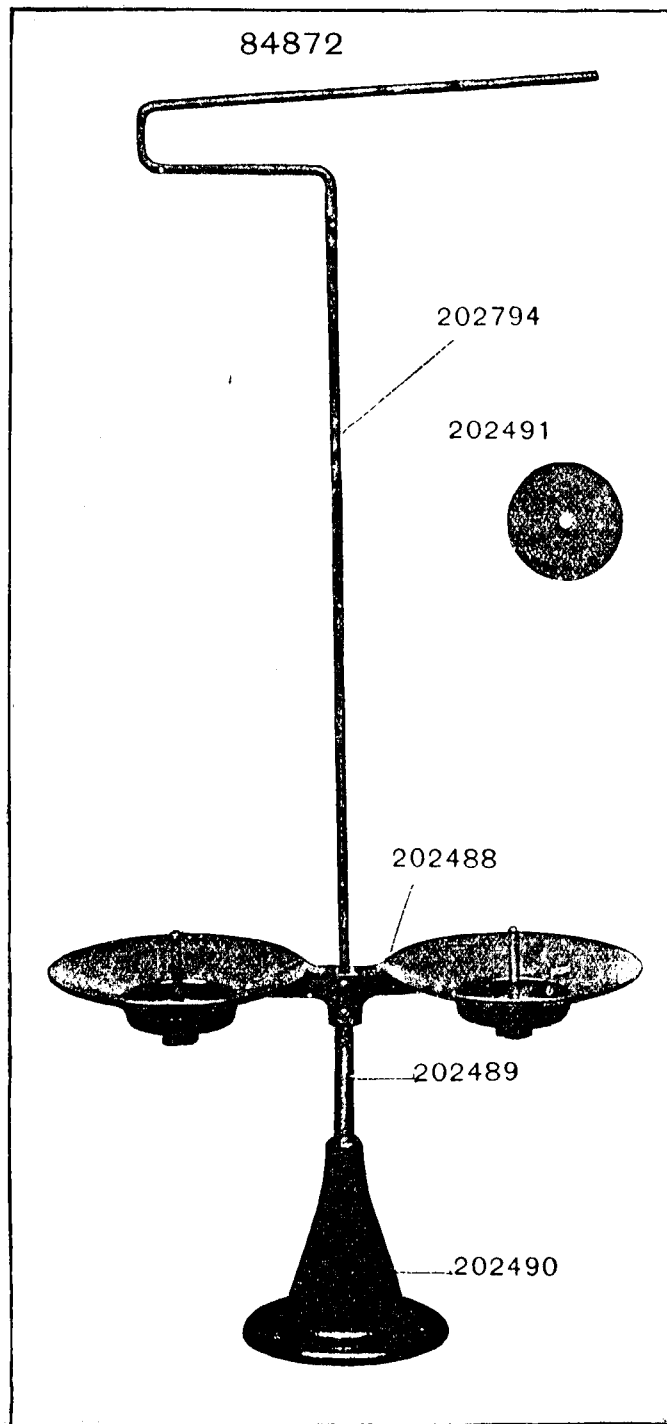


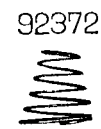
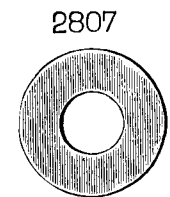
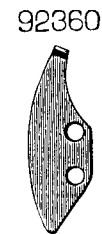
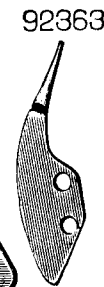
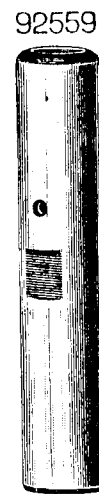
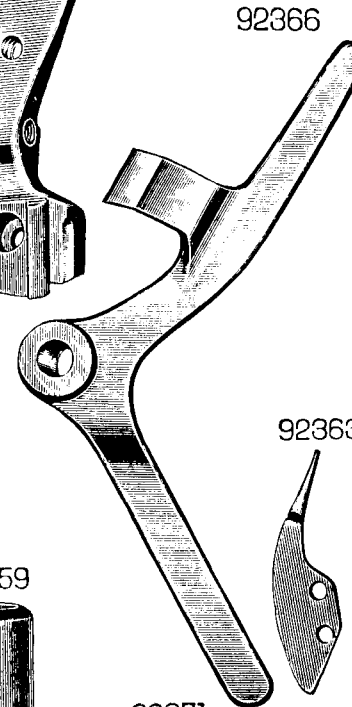
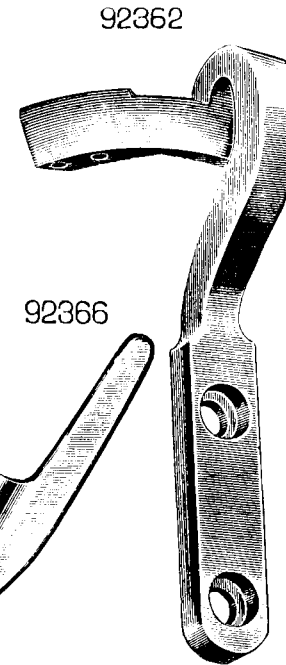
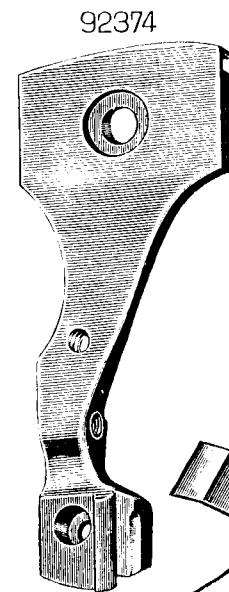
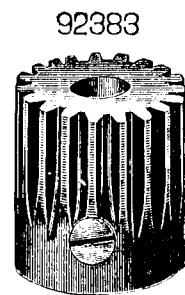
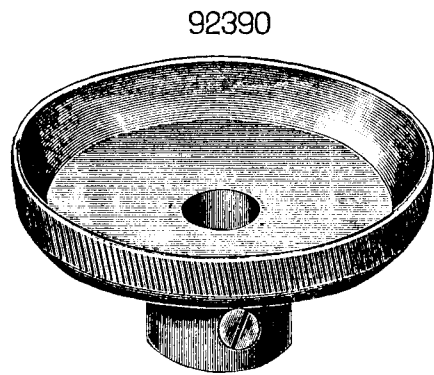
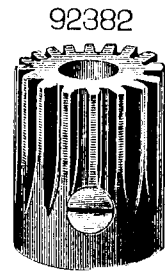
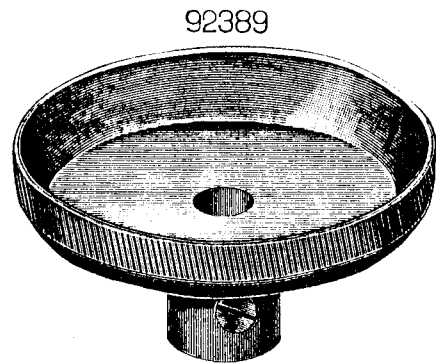
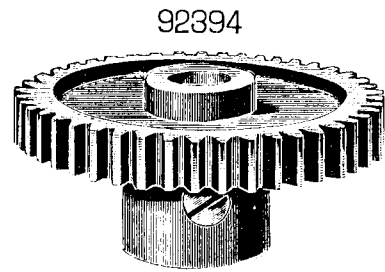
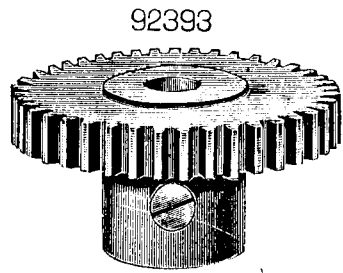


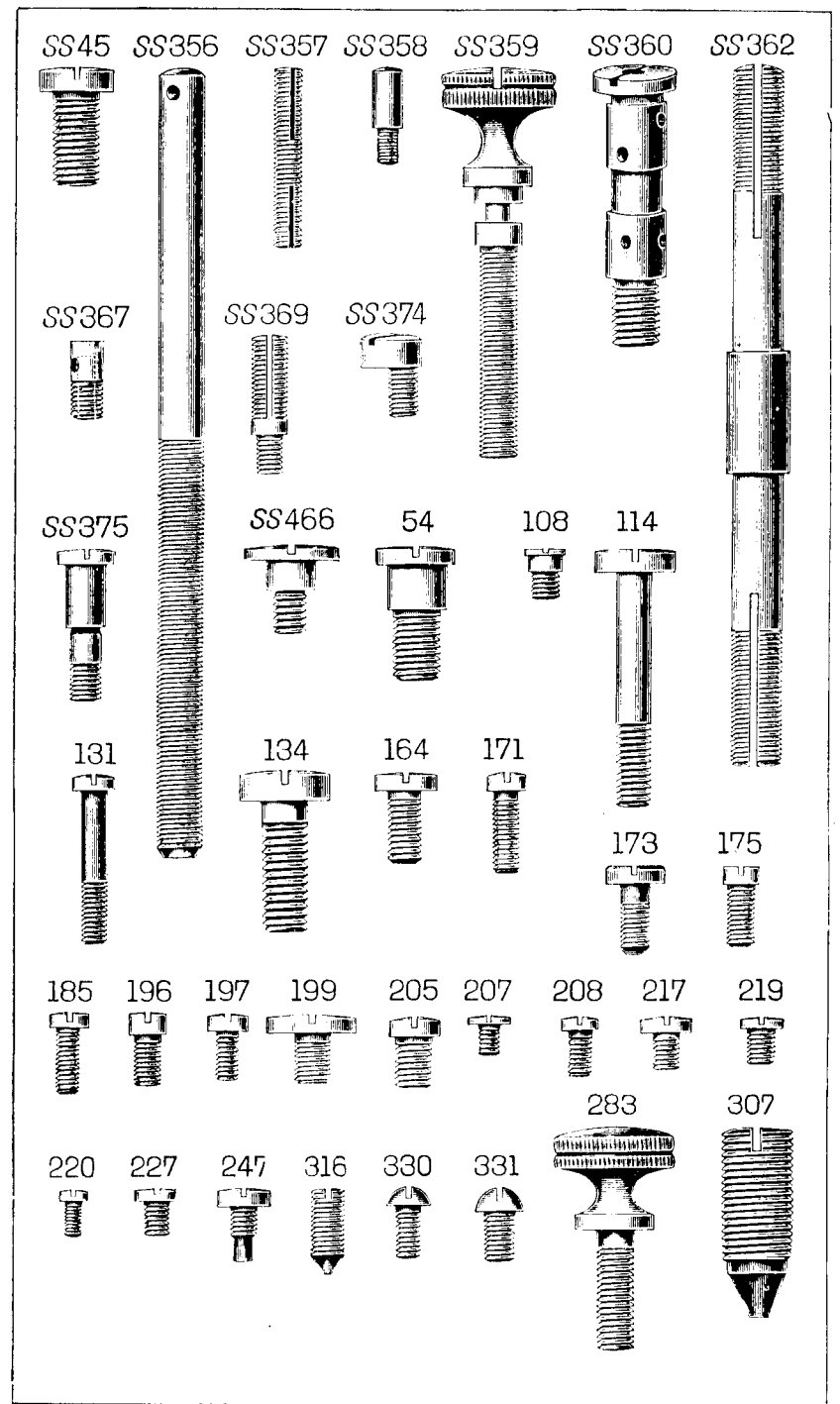
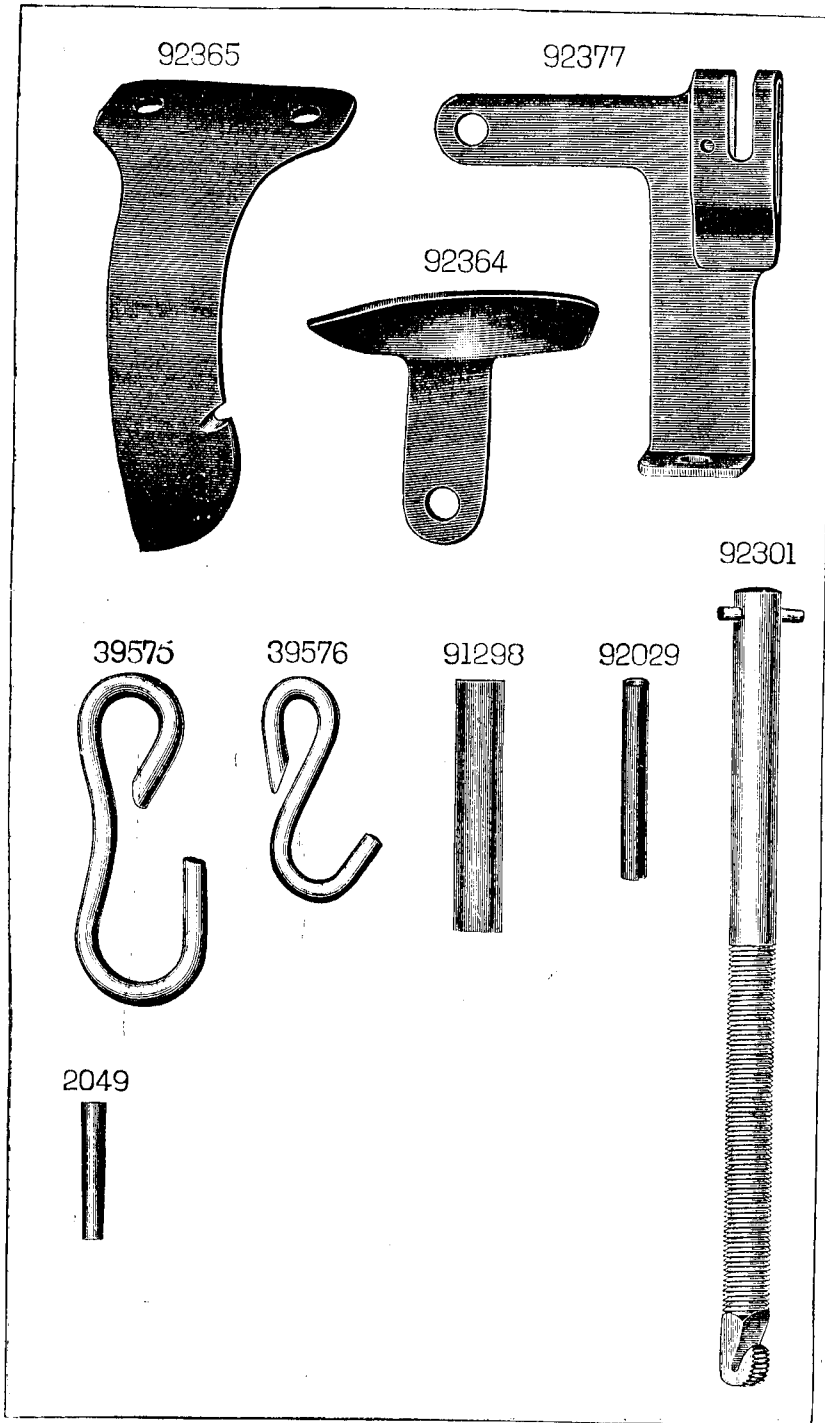








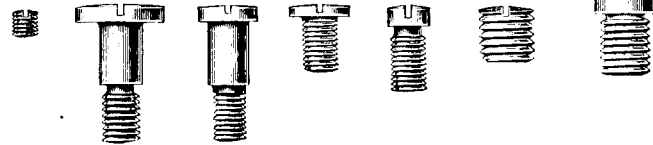




337 445 446 448 453 454 640 707 788 896



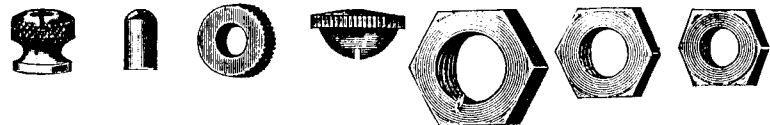
904 933 996 1094 1120 200363



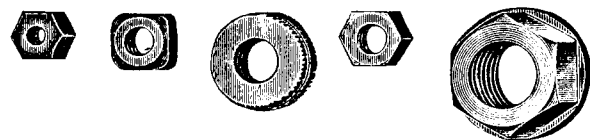
200383



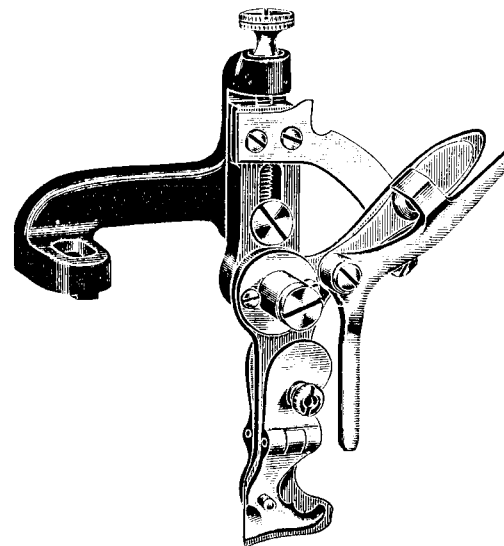
NN70 NN71 NN74 NN77 1513 1727 1520



1628 1547 1560 1637 1677



92385



# Illustrated List of Parts

FOR

## Nos. 46K40 to 46K44 Machines

In ordering from this List, the prefix and affix letters, with the part number, **MUST BE** quoted exactly as they are shown in the first column.

A number always indicates the same part in whatever List it may appear, or for whatever machine.

The prefix *SS* indicates Screws made only at Singer.

" " *NN* " Nuts made only at Singer.

" " *RR* " Rollers and Studs made only at Singer.

The affix letters (where shown) indicate the style of finish, as follows:—

**A.** Hardened, Polished and Plated.

**B.** Polished and Plated.

**C.** Hardened only.

**D.** Polished only.

**E.** Soft, not Polished.

**F.** Hardened and Polished.

**H.** Blued.

**J.** Plated only.

**K.** Hardened and Plated.

**L.** Brass or Gilt.

**M.** Oxidized.

**P.** Japanned.

**R.** Parkerised.

In this series:

1 to 1500 and 50001 to 51500 are Screw Numbers.

1501 " 1800 are Nut Numbers.

1801 " 2000 " Roller "

2001 " 50000 are numbers of machine parts, etc.

80001 " 100000 are numbers of machine parts, etc.,  
made only at Singer.

*Parts marked with an asterisk (\*) are furnished only when the repairs are made at Factory.*

## PARTS COMPLETE

FOR

## No. 46K40 Machine

**High Speed for Power; Double Thread Chain Stitch for Seaming  
Fashioned Knif-wear; Positive Feed Mechanism (right to left);  
one Feeding Disc only positively driven from Crank Shaft;  
Maximum length of Stitch  $\frac{1}{4}$ ".**

No.	Plate							
92500	913	<b>Balance Hand Wheel</b> with two 448c	...	...	...	...	...	...
448c	1392	" " " Set Screw	...	...	...	...	...	...
92594	1307	<b>Balance Wheel</b> with two 448c	...	...	...	...	...	...
92600	1307	" " Crank Shaft	...	...	...	...	...	...
92498	913	" " " " Bush	...	...	...	...	...	...
92499	920	" " " " " Felt Pad	...	...	...	...	...	...
446c	1392	" " " " " Set Screw	...	...	...	...	...	...
448c	1392	" " Set Screw...	...	...	...	...	...	...
95460	1307	<b>Cover Plate</b>	...	...	...	...	...	...
92029	1390	" " Oil Tube	...	...	...	...	...	...
95461	—	<b>Cover Plate</b> , complete, Nos. 185c, 217f, 331f, SS362c, 9544, 9545, 92564, 95460, two each 1560d, 9543, 92563, three 92029 and four 2102	...	...	...	...	...	...
SS45d	1391	<b>Cover Plate</b> Binding Screw (2)	...	...	...	...	...	...
2049	1390	" " Dowel Pin (2)	...	...	...	...	...	...
92599	1036	<b>Feed Adjusting Lever</b>	...	...	...	...	...	...
217f	1391	" " " Base Stop Screw	...	...	...	...	...	...
307c	1391	" " " Screw Centre (2)	...	...	...	...	...	...
1513j	1392	" " " " " Nut (2)	...	...	...	...	...	...
2308	918	" " " Spring	...	...	...	...	...	...
1560d	1392	" " " Adjusting Thumb Nut	...	...	...	...	...	...
SS356d	1391	" " " Screw Spindle	...	...	...	...	...	...
14026	919	" " " " " Position Pin	...	...	...	...	...	...

No	Plate						
92583	956	<b>Feed Bracket</b>	...	...	...	...	...
SS383e	956	" "	Adjusting Screw Stud	...	...	...	...
1677c	956	" "	" " " Nut	...	...	...	...
190d	956	" "	" " " Stop Screw	...	...	...	...
92584	957	" "	Gear (22 teeth) with 1259c	...	...	...	...
92585	957	" "	" (33 " ) " 1259c	...	...	...	...
92393	1388	" "	" (40 " ) " 1259c	...	...	...	...
92394	1388	" "	" (44 " ) " 1259c	...	...	...	...

NOTE.—Feed Bracket Gears Nos. 92584 and 92585 are sent with this machine unless otherwise specified on order.

Gears 92394 and 92590 give  $4\frac{1}{2}$  stitches per inch.

"	92393	"	92590	"	5 $\frac{1}{2}$	"	"	"
"	92585	"	92590	"	7	"	"	"
"	92585	"	92591	"	9	"	"	"
"	92584	"	92590	"	11	"	"	"
"	92584	"	92591	"	13	"	"	"

1259c	1038	<b>Feed Bracket</b>	Gear Set Screw	...	...	...	...
92571	919	" "	Oil Tube	...	...	...	...
92586	956	" "	Shaft	...	...	...	...
92587	956	" "	" Collar with 1258c	...	...	...	...
1258c	956	" "	" " Set Screw	...	...	...	...
92588	956	" "	Washer	...	...	...	...
92589	956	"	Shaft (upright)	...	...	...	...
92590	957	"	" ( " ) Gear (60 teeth) with 1036c	...	...	...	...
92591	957	"	" ( " ) " (75 " ) " 1036c	...	...	...	...
1036c	956	"	" ( " ) " Set Screw	...	...	...	...
92592	957	"	Spiral with two 465c	...	...	...	...
465c	956	"	" Set Screw	...	...	...	...
92593	957	"	" Wheel with 1259c	...	...	...	...
1259c	1038	"	" Set Screw	...	...	...	...
92392	—	<b>Feed Bracket, complete, Nos. 190d, 92583, 92586, 92587, 92592 and 92593</b>	...	...	...	...	...

92505	913	<b>Feed Bracket (front)</b>	...	...	...	...	...
4389	918	" "	( " ) Dowel Pin (2)	...	...	...	...
134d	1391	" "	( " ) Screw (2)	...	...	...	...
92506	920	" "	( " ) Thread Guide	...	...	...	...
217f	1391	" "	( " ) " " Screw	...	...	...	...
92570	916	" "	Stud	...	...	...	...
199f	1391	" "	" End Position Screw	...	...	...	...
316c	1391	" "	" Raising Set Screw	...	...	...	...
445c	1392	" "	" Set Screw	...	...	...	...

No.	Plate						
92507	916	<b>Feeding Disc</b>	(front, coarse)	...	...	...	...
92573	916	" "	( " fine)	...	...	...	...
92508	916	" "	(back, coarse) with 454c	...	...	...	...
92574	916	" "	( " fine) with 454c	...	...	...	...
454c	1392	" "	( " ) Set Screw	...	...	...	...

NOTE.—Nos. 92507 and 92508 are supplied with this machine unless fine feeding discs are specified on order.

92509	917	<b>Feeding Disc</b>	(back) Edge Guide	...	...	...	...
205f	1391	" "	( " ) " " Screw (2)	...	...	...	...
92532	921	<b>Guide Adjusting Bracket</b>	...	...	...	...	...
SS359b	1391	" "	" Adjusting Screw	...	...	...	...
247b	1391	" "	" " " Position Screw	...	...	...	...
933b	1392	" "	" Locking Screw	...	...	...	...
92524	921	" "	Plate (front)	...	...	...	...
92525	921	" "	" (back)	...	...	...	...
SS358b	1391	" "	" Guide Screw	...	...	...	...
NN71b	1392	" "	" " " Nut	...	...	...	...
92526	921	" "	" Hinge Pin	...	...	...	...
SS357b	1391	" "	" Screw Stud	...	...	...	...
220b	1391	" "	" " " Set Screw	...	...	...	...
NN70a	1392	" "	" " " Thumb Nut	...	...	...	...
92527	921	" "	" Spring	...	...	...	...
SS45f	1391	"	Binding Screw	...	...	...	...
95201	1037	"	Body	...	...	...	...
92523	921	"	" Bush	...	...	...	...
788a	1392	"	" " Fulcrum Screw	...	...	...	...
208b	1391	"	" " Screw	...	...	...	...
92553	921	"	Bracket	...	...	...	...
92530	921	"	Lifting Retaining Stud	...	...	...	...
237a	1392	"	" " " Screw	...	...	...	...
95202	1037	"	" " " Spring	...	...	...	...
92528	921	"	" Segment	...	...	...	...
207b	1391	"	" " " Screw	...	...	...	...
SS374b	1391	"	" " " Stop Eccentric Screw	...	...	...	...
1628c	1392	"	" " " " " Nut	...	...	...	...
82462	921	"	" " " " " Washer	...	...	...	...
92366	1389	"	Releasing Lever	...	...	...	...
1247b	1037	"	" " " Screw	...	...	...	...
92367	1389	"	" " " Wedge Block	...	...	...	...

92385 1400 **Guide** (adjustable), complete, Nos. NN71b, 220b, 247b, 357a, SS357b to SS359b, SS374b, 788a, 933b, 1247b, 1628c, 82462, 92366, 92367, 92523 to 92525, 92527, 92528, 92530, 92532, 92533, 95201, 95202, two each NN70a, 207b, 208b and 92526

No.	Plate							
*95412	---	<b>Head</b> (of Machine)	...	...	...	...	...	...
114d	1391	" (" " ) Binding Screw (2)	...	...	...	...	...	...
92539	917	<b>Looper</b> ...	...	...	...	...	...	...
193f	1038	" Binding Screw	...	...	...	...	...	...
92536	918	" Holder	...	...	...	...	...	...
92538	918	" " Connecting Link	...	...	...	...	...	...
996c	1392	" " " " Hinge Screw	...	...	...	...	...	...
SS375c	1391	" " " " " Screw (eccentric)	...	...	...	...	...	...
904c	1392	" " " " " " Set Screw	...	...	...	...	...	...
1547c	1392	" " " " " " Nut for SS375c and 996c	...	...	...	...	...	...
92537	918	" " Stud	...	...	...	...	...	...
453c	1392	" " " Set Screw	...	...	...	...	...	...
92546	917	<b>Loop Spreader</b> ...	...	...	...	...	...	...
175f	1391	" " Binding Screw	...	...	...	...	...	...
92575	918	" " Holder with 904c	...	...	...	...	...	...
92543	914	" " " Crank Connecting Rod with 92544 and two 896d	...	...	...	...	...	...
*92544	---	" " " " " " Cap	...	...	...	...	...	...
896d	1392	" " " " " " " Screw	...	...	...	...	...	...
92545	918	" " " " " " Stud	...	...	...	...	...	...
1120c	1392	" " " " " " " Set Screw	...	...	...	...	...	...
SS360c	1391	" " " " " " Hinge Screw Stud	...	...	...	...	...	...
1520c	1392	" " " " " " " Nut	...	...	...	...	...	...
SS367c	1391	" " " " " " " Oil Feed Screw	...	...	...	...	...	...
92541	918	" " " " " " Rocking Bracket	...	...	...	...	...	...
92542	918	" " " " " " Stud	...	...	...	...	...	...
453c	1392	" " " " " " " Set Screw	...	...	...	...	...	...
92547	---	<b>Machine Base</b> ...	...	...	...	...	...	...
525b	---	" Hinge Bolt	...	...	...	...	...	...
1727b	1392	" " " Nut	...	...	...	...	...	...
2807	1389	" " " " Washer	...	...	...	...	...	...
8294	---	" " " Connection	...	...	...	...	...	...
8295	---	" " " Hinge Pin	...	...	...	...	...	...
8306b	---	" " " Nos. 525b, 8294 and 8295	...	...	...	...	...	...
8292b	919	<b>Machine Hinge</b> , complete, Nos. 1727b, 2807 and 8306b (2)	...	...	...	...	...	...
92548	917	<b>Needle Bar</b> ...	...	...	...	...	...	...
92559	917	" " Bush	...	...	...	...	...	...
446c	1392	" " " Set Screw	...	...	...	...	...	...
92549	917	" " " Connection with 175f and 904c...	...	...	...	...	...	...
175f	1391	" " " Binding Screw	...	...	...	...	...	...
42055	917	" " " Link	...	...	...	...	...	...

No.	Plate							
40247	917	<b>Needle Bar</b> Connection Link Stud (2)	...	...	...	...	...	...
904c	1392	" " " " " " Set Screw	...	...	...	...	...	...
92550	920	" " " Thread Eyelet	...	...	...	...	...	...
217f	1391	" " " " " " Screw	...	...	...	...	...	...
92553	917	" " Crank Connecting Rod with 92554 and two 171c	...	...	...	...	...	...
*92554	---	" " " " " " Cap	...	...	...	...	...	...
171c	1391	" " " " " " " Screw	...	...	...	...	...	...
40247	917	" " " " " " Stud	...	...	...	...	...	...
904c	1392	" " " " " " " Set Screw	...	...	...	...	...	...
197f	1391	" " Needle Set Screw	...	...	...	...	...	...
92551	917	" " Rock Lever with 191c and two 904c	...	...	...	...	...	...
191c	1038	" " " " " Set Screw	...	...	...	...	...	...
92552	917	" " " " " Stud	...	...	...	...	...	...
92529	---	" " Thread Guide	...	...	...	...	...	...
92558	918	" " " Retaining Spring	...	...	...	...	...	...
10106	918	" " " " Tension Disc	...	...	...	...	...	...
SS369d	1391	" " " " " " Screw	...	...	...	...	...	...
NN74d	1392	" " " " " " " Regulating Thumb Nut	...	...	...	...	...	...
92576	---	<b>Needle Bar</b> , complete, Nos. NN74d, 197f, SS369d, 92529, 92548, 92558 and two 10106	...	...	...	...	...	...
92560	920	<b>Needle Guide</b> ...	...	...	...	...	...	...
92561	920	" " Adjustable Work Guide	...	...	...	...	...	...
640f	1392	" " " " " " Adjustable Screw	...	...	...	...	...	
92562	920	" " " " " " " Spring	...	...	...	...	...	
108f	1391	" " " " " " Hinge Screw	...	...	...	...	...	
164f	1391	" " Binding Screw	...	...	...	...	...	
92572	920	<b>Needle Guide</b> , complete, Nos. 108f, 640f and 92560 to 92562	...	...	...	...	...	
2102	918	<b>Tension Disc</b> ...	...	...	...	...	...	
SS362c	1391	" Screw Stud	...	...	...	...	...	
1560d	1392	" " " Nut	...	...	...	...	...	
331f	1391	" " " Set Screw	...	...	...	...	...	
92563	918	" Spring	...	...	...	...	...	
92564	916	<b>Thread Guide</b> (Cover Plate)	...	...	...	...	...	
92565	916	" " (for head of Machine)	...	...	...	...	...	
217f	1391	" " Screw for 92564 and 92565	...	...	...	...	...	
9543	918	<b>Thread Nipper Disc</b> ...	...	...	...	...	...	
9544	918	" " " Cover	...	...	...	...	...	
9545	918	" " " Spring	...	...	...	...	...	
185c	1391	" " " Screw	...	...	...	...	...	



# PARTS SPECIAL

TO

## No. 46K41 Machine

**High Speed for Power ; Double Thread Chain Stitch for Seaming  
Fine Hosiery Work ; Positive Feed Mechanism (right to left) ;  
both Feeding Discs positively driven from Crank Shaft.**

This Machine is the same as No. 46K40, with the following exceptions :—

No.	Plate					
95369	1039	<b>Feed Bracket</b> (front) Bush	...	...	...	...
445c	1392	" " ( " ) " Set Screw	...	...	...	...
92382	1388	<b>Feed Bracket Gear</b> (16 teeth) with 1259c	...	...	...	...
92383	1388	" " " (19 " ) " 1259c	...	...	...	...
92584	957	" " " (22 " ) " 1259c	...	...	...	...
92585	957	" " " (33 " ) " 1259c	...	...	...	...

*NOTE.—Feed Bracket Gears Nos. 92584 and 92585 are sent  
with this machine unless otherwise specified on order.*

*Gears 92585 and 95370 give 7 stitches per inch.*

" 92585	" 95371	" 9	" " "
" 92584	" 95370	" 11	" " "
" 92584	" 95371	" 13	" " "
" 92383	" 95371	" 15	" " "
" 92382	" 95371	" 18	" " "

92389	1388	<b>Feeding Disc</b> (front) with 454c	...	...	...	...
454c	1392	" " ( " ) Set Screw	...	...	...	...
92390	1388	" " (back) with 454c	...	...	...	...
95375	1039	" " ( " ) Edge Guide	...	...	...	...
95376	1039	" " Gear	...	...	...	...
95377	1036	" " Shaft for 95373	...	...	...	...
95378	1039	" " Gear with two 196f	...	...	...	...
196f	1391	" " " " Set Screw	...	...	...	...
95370	1038	<b>Feed Shaft (upright) Gear</b> (60 teeth) with 1036c and 95372	...	...	...	...
95371	1038	" " ( " ) " (75 " ) " 1036c " 95372	...	...	...	...
95372	1038	" " ( " ) " Driving Pin	...	...	...	...

No	Plate					
95379	1037	<b>Guide Adjusting Plate</b> (front)	...	...	...	...
95380	1037	" " " (back)	...	...	...	...
SS421b	1038	" " " Guide Screw	...	...	...	...
NN80b	1038	" " " " " Nut	...	...	...	...
95381	1037	" Body	...	...	...	...
92386	932	" Lifting Segment	...	...	...	...
92368	1387	<b>Guide</b> (adjustable), complete, Nos. NN80b, 220b, 247b, 337a, SS357b, SS359b, SS374b, SS421b, 788a, 933b, 1247b, 1628c, 82462, 92366, 92367, 92386, 92523, 92527, 92530, 92532, 92533, 95202, 95379 to 95381, two each NN70a, 207b, 208b and 92526	...	...	...	...
*92369	—	<b>Head</b> (of Machine)	...	...	...	...
92597	1038	<b>Looper Thread Take-up Spring</b>	...	...	...	...
331e	1391	" " " " Screw	...	...	...	...
92598	1038	" " " " Thread Guide	...	...	...	...
331e	1391	" " " " " " Screw	...	...	...	...
95384	—	<b>Machine Base</b>	...	...	...	...
95385	1038	<b>Needle Bar</b>	...	...	...	...
95386	1038	" " Clamp	...	...	...	...
193f	1038	" " " Binding Screw	...	...	...	...
95387	1038	" " " " Washer	...	...	...	...
95388	—	<b>Needle Bar</b> , complete, Nos. NN74d, 193f, 197f, SS369d, 92529, 92558, 95385 to 95387 and two 10106	...	...	...	...
95389	1039	<b>Needle Guide</b>	...	...	...	...
95390	1039	" " Adjustable Work Guide	...	...	...	...
95391	—	<b>Needle Guide</b> , complete, Nos. 108f, 640f, 92562, 95389 and 95390	...	...	...	...

# PARTS SPECIAL

TO

## No. 46K44 Machine

**High Speed for Power ; Double Thread Chain Stitch for Seaming  
Fine Work in Underwear, Hose, etc. ; Adjustable Work Guides ;  
Positive Feed Mechanism (right to left) ; both Feeding  
Discs positively driven from Crank Shaft.**

This machine is the same as No. 46K40, with the following exceptions:—

No.	Plate		...	...	...	...
92381	1387	Balance Wheel Crank Shaft	...	...	...	...
92391	—	Cover Plate, complete, Nos. 131e, 217f, 227c, SS362c, 95460, 95463 to 95466, two each 1560d, 92563, three 92029 and four 2102	...	...	...	...
92301	1390	Feed Adjusting Lever Spring Screw Spindle with 14026	...	...	...	...
14026	919	" " " " " " " " Position Pin	...	...	...	...
92358	1387	Feed Bracket (front)	...	...	...	...
95369	1039	" " ( " ) Bush	...	...	...	...
445c	1392	" " ( " ) " Set Screw	...	...	...	...
92359	1389	" " ( " ) Thread Guide	...	...	...	...
330f	1391	" " ( " ) " " Screw	...	...	...	...
92382	1388	Feed Bracket Gear (16 teeth) with 1259c	...	...	...	...
92383	1388	" " " (19 " ) " 1259c	...	...	...	...
92584	957	" " " (22 " ) " 1259c	...	...	...	...
92585	957	" " " (33 " ) " 1259c	...	...	...	...

*NOTE.—Feed Bracket Gears Nos. 92584 and 92585 are sent with this machine unless otherwise specified on order.*

*Gears 92585 and 95370 give 7 stitches per inch.*

"	92585	"	95371	"	9	"	"	"
"	92584	"	95370	"	11	"	"	"
"	92584	"	95371	"	13	"	"	"
"	92383	"	95371	"	15	"	"	"
"	92382	"	95371	"	18	"	"	"

No.	Plate		...	...	...	...
92389	1388	Feeding Disc (front) with 454c	...	...	...	...
454c	1392	" " ( " ) Set Screw	...	...	...	...
92390	1388	" " (back) with 454c	...	...	...	...
92360	1389	" " ( " ) Edge Guide	...	...	...	...

*NOTE.—No. 92360 is only supplied when specified on order and at an extra charge.*

92362	1389	Feeding Disc (back) Edge Guide Bracket	...	...	...	...
92363	1389	" " ( " ) " " Chaining Finger	...	...	...	...
220d	1391	" " ( " ) " " " " Screw	...	...	...	...
92361	—	" " ( " ) " " " complete, Nos. 92362, 92363, and two 220d	...	...	...	...
95376	1039	" " Gear	...	...	...	...
95377	1036	" " Shaft for 95373	...	...	...	...
95378	1039	" " " Gear with two 196f	...	...	...	...
196f	1391	" " " " Set Screw	...	...	...	...
92364	1390	" " " Stripper (for Front Feeding Disc)	...	...	...	...
1094d	1392	" " " Screw (for Front Feeding Disc)	...	...	...	...
92365	1390	" " " (for Back Feeding Disc)	...	...	...	...
330d	1391	" " " Screw (2) (for back Feeding Disc)	...	...	...	...

95370	1038	Feed Shaft (upright) Gear (60 teeth) with 1036c and 95372	...	...	...	...
95371	1038	" " ( " ) " (75 " ) " 10.6c " 95272	...	...	...	...
95372	1038	" " ( " ) " Driving Pin	...	...	...	...

95379	1037	Guide Adjusting Plate (front)	...	...	...	...
95380	1037	" " " (back)	...	...	...	...
SS421b	1038	" " " Guide Screw	...	...	...	...
NN80b	1038	" " " " " Nut	...	...	...	...
95381	1037	" Body	...	...	...	...
92386	932	" Lifting Segment	...	...	...	...

92368	1387	Guide (adjustable), complete, Nos. NN80b, 220b, 247b, 337a, SS357b, SS359b, SS374b, SS421b, 788a, 933b, 1247b, 1628c, 82462, 92366, 92367, 92386, 92523, 92527, 92530, 92532, 92533, 95202, 95379 to 95381, two each NA70a, 207b, 208b and 92526	...	...	...	...
-------	------	--	-----	-----	-----	-----

*92369	—	Head (of Machine)	...	...	...	...
--------	---	-------------------	-----	-----	-----	-----

190f	956	Looper Screw	...	...	...	...
92370	1389	" Thread Controller	...	...	...	...
190f	956	" " " Screw	...	...	...	...
92371	1389	" " " Guide	...	...	...	...

95384	—	Machine Base	...	...	...	...
-------	---	--------------	-----	-----	-----	-----

No.	Plate						
95385	1038	<b>Needle Bar</b>	...	...	...	...	...
95386	1038	"	"	Clamp	...	...	...
193f	1038	"	"	"	Binding Screw	...	...
95387	1038	"	"	"	"	Washer	...
92372	1389	"	"	"	Thread Retaining Spring	...	...
92373	—	<b>Needle Bar</b> , complete, Nos. NN74d, 193f, 197f, SS369d, 92372, 92529, 95385 to 95387 and two 10106	...	...	...	...	...
92374	1389	<b>Needle Guide</b>	...	...	...	...	...
92375	—	"	"	Adjustable Work Guide	...	...	...
173c	1391	"	"	Position Screw	...	...	...
92376	—	<b>Needle Guide</b> , complete, Nos. 108f, 640f, 92374, 92375 and 92562	...	...	...	...	...
92377	1390	<b>Needle Thread Controller Bracket</b>	...	...	...	...	...
330d	1391	"	"	"	"	Screw	...
92378	1389	"	"	"	"	Spring	...
92379	1389	"	"	"	"	Adjusting Plate	...
707d	1392	"	"	"	"	"	Screw
SS466d	1391	"	"	"	"	"	Screw
1637d	1392	"	"	"	"	"	Nut
92380	—	<b>Needle Thread Controller</b> , complete, Nos. 330d, SS466d, 707d, 1637d and 92377 to 92379	...	...	...	...	...
95463	—	<b>Tension Release</b>	...	...	...	...	...
95465	—	"	"	"	Rod	...	...
227c	1391	"	"	"	Set Screw	...	...
95464	—	"	"	"	Spring	...	...
131e	1391	"	"	"	Screw Stud Set Screw	...	...
95466	—	<b>Thread Guide</b> (Cover Plate)	...	...	...	...	...

## Accessories

No.	Plate						
86405	913	Tweezers	...	...	...	...	...
25537	—	Screw Driver	...	...	...	...	...
36569	—	Oiler	...	...	...	...	...
1152	914	Screw for Bench for 2" Table	...	...	...	...	...
—	—	Wood Screw, 1½" × ¼"	...	...	...	...	...
215 × 11	—	Needles (6), one each sizes 14, 16, 19, 21 and two size 17, for 46K40 Machine	...	...	...	...	...
215 × 11	—	Needles (6), one each sizes 8, 10, 11, 14 and two size 9, for 46K41 to 46K44 Machines	...	...	...	...	...

## Thread Unwinder

For Two Large Spools.

No.	Plate						
202486	—	Spool Pin	...	...	...	...	...
202487	—	"	Rest	...	...	...	...
202488	1310	"	"	202487 with 200363c, 200383c and two 202486	...	...	...
202489	1310	"	"	Rod	...	...	...
200383c	1392	"	"	"	Set Screw	...	...
200383c	1392	"	"	"	Set Screw	...	...
202490	1310	"	"	Stand with 200383c	...	...	...
202491	1310	"	"	Washer (Steel)	...	...	...
202794	1310	Thread Eyelet Rod	...	...	...	...	...
200363c	1392	"	"	"	Set Screw	...	...
84872	1310	<b>Thread Unwinder</b> , complete, Nos. 202488 to 202490, 202794, two 202491 and three Wood Screws, ¾" No. 13	...	...	...	...	...

## Foot Lever

The undernoted parts are included in the equipment of each Machine.

No.	Plate	
91296	915	Foot Lever ... ..
92567	915	" " Bracket ... ..
—	—	" " " Wood Screws, 1 $\frac{1}{4}$ " No. 15 ... ..
91298	1390	" " " Hinge Pin ... ..
92578	915	Foot Lever, complete, Nos. 92567, two each 91296, 91298 and five Wood Screws, 1 $\frac{1}{4}$ " No. 15
39569	—	" " Chain, 45" long, with 39575 and 39576 ... ..
39575	1390	" " " Hook (lower) ... ..
39576	1390	" " " " (upper) ... ..
92568	—	Combination Feeding Disc Opener and Driving Foot Levers, com- plete, Nos. 92578 and two 39569 ... ..

## Obsolete Parts

No.	Plate	
92496	913	<b>Balance Wheel</b> , with two 448c, for 46K40 and 46K41 Machines
92497	914	" " Crank Shaft for 46K40 and 46K41 Machines ...
92501	914	<b>Cover Plate</b> for 92577 ... ..
92577	---	<b>Cover Plate</b> , complete, Nos. 185c, 217f, 331f, SS362c, 9544, 9545, 92501, 92564, two each 1560d, 9543, 92563, and four 2102, for 46K40 and 46K41 Machines... ..
54f	1391	<b>Cover Plate</b> Hinge Screw for 46K40 and 46K41 Machines ...
283d	1391	" " Thumb " " 46K40 " 46K41 Machines ...
92502	913	<b>Feed Adjusting Lever</b> for 46K40 Machine ... ..
92504	916	<b>Feed Bell Crank</b> for 46K40 Machine ... ..
92033	917	" " " Connecting Rod with 92034, 92256 and four 196c, for 46K40 Machine
*92034	"	" " " " " Cap (Plain Countersink, for Friction Wheel Driver Universal Joint Screw) for 92033 ... ..
*92256	"	" " " Connecting Rod Cap (Elongated Countersink, for Bell Crank Universal Joint Screw) for 92033 ... ..
92035	920	" " " Fulcrum Stud for 46K40 Machine ... ..
*38127	920	<b>Feed Eccentric</b> for 92511 ... ..
*92510	920	" " Body for 92511 ... ..
21331	920	" " Pressure Spring for 92511 ... ..
21332	920	" " " " Cap for 92511 ... ..
92511	920	<b>Feed Eccentric</b> (adjustable), complete, Nos. 196d, 934d, 1103c, 21331, 21332, 38127, 92510 and two 443c, for 46K40 Machine
92512	914	<b>Feed Eccentric Connecting Rod</b> with 80358 and two 159c, for 46K40 Machine
*80358	---	" " " " Cap for 92512 ... ..
92571	919	" " " " Oil Tube for 46K40 Machine
92513	913	<b>Feed Friction Shaft</b> (upright) for 46K40 Machine ... ..
92566	919	" " Wheel, with two 448c, for 46K40 Machine
92517	919	" " " Driver, with 92516, for 46K40 Machine ...
92581	932	" " " " " 92516, for 46K40 Machine ...
92518	919	" " " " Spring for 46K40 Machine ...
92582	918	" " " " " for 46K40 Machine ...
92516	919	" " " " " Hook for 92517 and 92581

No	Plate	
92514	919	<b>Feed Friction Wheel Internal Grip Ring</b> for 46K40 Machine ...
92515	919	" " " " " " " " Pawl, with 92516, for 46K40 Machine
92579	918	" " " " " " " " for 46K40 Meh.
92580	918	" " " " " " " " Retaining Plate for 46K40 Machine
92519	919	" " " " Retaining Wedge, with 92521, for 46K40 Machine
92520	919	" " " " " " Spring for 46K40 Meh....
92521	919	" " " " " " " " Hook for 92519...
95373	1039	<b>Feeding Disc</b> (front), with 454c, for 46K41 Machine ...
95374	1039	" " (back), with 454c, for 46K41 Machine ...
92522	921	<b>Guide Body</b> for 46K40 Machine ...
92531	921	" Lifting Retaining Stud Spring for 46K40 Machine ...
95203	1037	" Releasing Lever for 46K40 to 46K42 Machines ...
95204	1037	" " " Wedge Block for 46K40 to 46K42 Meh.
92540	918	<b>Loop Spreader Holder</b> for 46K40 Machine ...

## PARTS SPECIAL

TO

# No. 46K42 Machine

### (Obsolete)

**High Speed for Power ; Double Thread Chain Stitch, for Seaming  
Fine Silk Hose ; Adjustable Work Guide ; Positive Feed  
Mechanism (right to left) ; both Feeding Discs  
Positively Driven from Crank Shaft.**

This machine is the same as No. 46K40, with the following exceptions:

No	Plate	
95462		<b>Cover Plate</b> , complete, Nos. 131c, 185c, 217f, 227c, SS362c, 9544, 9545, 95460, 95463 to 95466, two each 1560d, 9543, 92563, three 92029 and four 2102 ...
92301	1390	<b>Feed Adjusting Lever Spring Screw Spindle</b> with 14026 ...
14026	919	" " " " " " " " Position Pin ...
95369	1039	<b>Feed Bracket (front) Bush</b> ...
445c	1392	" " ( " ) " Set Screw ...
92382	1388	<b>Feed Bracket Gear</b> (16 teeth) with 1259c ...
92383	1388	" " " (19 " ) " 1259c ...
92584	957	" " " (22 " ) " 1259c ...
92585	957	" " " (33 " ) " 1259c ...

*NOTE:--Feed Bracket Gears Nos. 92581 and 92585 are sent with this machine unless otherwise specified on order.*

*Gears 92585 and 95370 give 7 stitches per inch.*

"	92585	"	95371	"	9	"	"	"
"	92581	"	95370	"	11	"	"	"
"	92584	"	95371	"	13	"	"	"
"	92383	"	95371	"	15	"	"	"
"	92382	"	95371	"	18	"	"	"

92389	1388	<b>Feeding Disc</b> (front) with 454c ...
454c	1392	" " ( " ) Set Screw ...
92390	1388	" " (back) with 454c ...
95375	1039	" " ( " ) Edge Guide ...

No.	Plate						
95376	1039	<b>Feeding Disc Gear</b>	...	...	...	...	...
95377	1036	" " Shaft for 95373	...	...	...	...	...
95378	1039	" " " Gear with two 196f	...	...	...	...	...
196f	1391	" " " " Set Screw	...	...	...	...	...
95370	1038	<b>Feed Shaft (upright) Gear</b> (60 teeth) with 1036c and 95372	...	...	...	...	...
95371	1038	" " ( " ) " (75 " ) "	1036c	"	95372	...	...
95372	1038	" " ( " ) " Driving Pin	...	...	...	...	...
95379	1037	<b>Guide Adjusting Plate</b> (front)	...	...	...	...	...
95380	1037	" " " (back)	...	...	...	...	...
SS421b	1038	" " " Guide Screw	...	...	...	...	...
NN80b	1038	" " " " " Nut	...	...	...	...	...
95381	1037	" Body	...	...	...	...	...
92386	932	" Lifting Segment	...	...	...	...	...
92368	1387	<b>Guide</b> (adjustable), complete, Nos. NN80b, 220b, 247b, 337a, SS357b, SS359b, SS374b, SS421b, 788a, 933b, 1247b, 1628c, 82462, 92366, 92367, 92386, 92523, 92527, 92530, 92532, 92533, 95202, 95379 to 95381, two each NN70a, 207b, 208b and 92526	...	...	...	...	...
*95413	---	<b>Head</b> (of Machine)	...	...	...	...	...
92597	1038	<b>Looper Thread Take-up Spring</b>	...	...	...	...	...
331e	1391	" " " " Screw	...	...	...	...	...
92598	1038	" " " " Thread Guide	...	...	...	...	...
331e	1391	" " " " " " Screw	...	...	...	...	...
95384	---	<b>Machine Base</b>	...	...	...	...	...
95385	1038	<b>Needle Bar</b>	...	...	...	...	...
95386	1038	" " Clamp	...	...	...	...	...
193f	1038	" " " Binding Screw	...	...	...	...	...
95387	1038	" " " " " Washer	...	...	...	...	...
95388	---	<b>Needle Bar</b> , complete, Nos. NN74d, 193f, 197f, SS369d, 92529, 92558, 95385 to 95387 and two 10106	...	...	...	...	...
92302	932	<b>Needle Guard</b>	...	...	...	...	...
219d	1391	" " Screw	...	...	...	...	...
92303	932	<b>Needle Guide</b>	...	...	...	...	...
95390	1039	" " Adjustable Work Guide	...	...	...	...	...
92304	---	<b>Needle Guide</b> , complete, Nos. 108f, 219d, 640f, 92302, 92303, 92562 and 95390	...	...	...	...	...

No.	Plate						
95463	---	<b>Tension Release</b>	...	...	...	...	...
95465	---	" " Rod	...	...	...	...	...
227c	1391	" " Set Screw	...	...	...	...	...
95464	---	" " Spring	...	...	...	...	...
131e	1391	" Screw Stud Set Screw	...	...	...	...	...
95466	---	<b>Thread Guide</b> (Cover Plate)	...	...	...	...	...
330f	1391	" " Screw (for head of machine)	...	...	...	...	...
92305	932	<b>Thread Take-up Bracket</b> (for Looper Thread)	...	...	...	...	...
92306	932	" " " (for Needle Thread)	...	...	...	...	...
330f	1391	" " " Screw (for Looper Thread)	...	...	...	...	...
92307	932	" " Post	...	...	...	...	...
92308	---	" " " 92307 with NN77d	...	...	...	...	...
NN77d	1392	" " " Thumb Nut	...	...	...	...	...
92309	932	<b>Thread Take-up Spring</b> (for Looper Thread)	...	...	...	...	...
92310	932	" " " (for Needle Thread)	...	...	...	...	...
95289	---	" " " Collar	...	...	...	...	...
92311	---	<b>Thread Take-up</b> (for Looper Thread), complete, Nos. 92305, 92308, 92309 and 95289	...	...	...	...	...
92312	---	<b>Thread Take-up</b> (for Needle Thread), complete, Nos. 92306, 92308, 92310 and 95289	...	...	...	...	...

# PARTS SPECIAL

TO

## No. 46K43 Machine

### (Obsolete)

**High Speed for Power ; Double Thread Chain Stitch for Seaming  
Fine Work in Underwear, Hose, etc. ; Adjustable Work Guides ;  
Positive Feed Mechanism (right to left) ; both Feeding  
Discs positively driven from Crank Shaft.**

This machine is the same as No. 46K40, with the following exceptions :

No.	Plate	
95462	—	<b>Cover Plate</b> , complete, Nos. 131c, 185c, 217f, 227c, SS362c, 9544, 9545, 95460, 95463 to 95466, two each 1560d, 9543, 92563, three 92029 and four 2102
92301	1390	<b>Feed Adjusting Lever Spring Screw Spindle</b> with 14026
14026	919	" " " " " " " " Position Pin
92358	1387	<b>Feed Bracket (front)</b>
95369	1039	" " ( " ) Bush
445c	1392	" " ( " ) " Set Screw
92359	1389	" " ( " ) Thread Guide
330f	1391	" " ( " ) " " Screw
92382	1388	<b>Feed Bracket Gear (16 teeth)</b> with 1259c
92383	1388	" " " (19 " ) " 1259c
92584	957	" " " (22 " ) " 1259c
92585	957	" " " (33 " ) " 1259c

*NOTE*—Feed Bracket Gears Nos. 92584 and 92585 are sent with this machine unless otherwise specified on order.

*Gears 92585 and 95370 give 7 stitches per inch*

"	92585	"	95371	"	9	"	"	"
"	92584	"	95370	"	11	"	"	"
"	92584	"	95371	"	13	"	"	"
"	92383	"	95371	"	15	"	"	"
"	92382	"	95371	"	18	"	"	"

No.	Plate	
92389	1388	<b>Feeding Disc (front)</b> with 454c
454c	1392	" " ( " ) Set Screw
92390	1388	" " (back) with 454c
92360	1389	" " ( " ) Edge Guide

*NOTE*—No. 92360 is only supplied when specified on order and at an extra charge.

92362	1389	<b>Feeding Disc (back)</b> Edge Guide Bracket
92363	1389	" " ( " ) " " Chaining Finger
220d	1391	" " ( " ) " " " " Screw
92361	—	" " ( " ) " " complete, Nos. 92362, 92363 and two 220d
95376	1039	" " Gear
95377	1036	" " Shaft for 95373
95378	1039	" " " Gear with two 196f
196f	1391	" " " " Set Screw
92364	1390	" " Stripper (for front Feeding Disc)
1094d	1392	" " " " Screw (for front Feeding Disc)
92365	1390	" " " " (for back Feeding Disc)
330d	1391	" " " " Screw (2) (for back Feeding Disc)

95370	1038	<b>Feed Shaft (upright) Gear (60 teeth)</b> with 1036c and 95372
95371	1038	" " ( " ) " (75 " ) " 1036c " 95372
95372	1038	" " ( " ) " Driving Pin

95379	1037	<b>Guide Adjusting Plate (front)</b>
95380	1037	" " " (back)
SS421b	1038	" " " Guide Screw
NN80b	1038	" " " " " Nut
95381	1037	" Body
92386	932	" Lifting Segment

92368	1387	<b>Guide (adjustable)</b> , complete, Nos. NN80b, 220b, 247b, 337a, SS357b, SS359b, SS374b, SS421b, 788a, 933b, 1247b, 1628c, 82462, 92366, 92367, 92386, 92523, 92527, 92530, 92532, 92533, 95202, 95379 to 95381, two each NN70a, 207b, 208b, and 92526
-------	------	---

*92369	—	<b>Head (of Machine)</b>
--------	---	--------------------------

190f	956	<b>Looper Screw</b>
92370	1389	" Thread Controller
190f	956	" " " Screw
92371	1389	" " Guide

95384	—	<b>Machine Base</b>
-------	---	---------------------



No.	Plate						
95385	1038	<b>Needle Bar</b>	...	...	...	...	...
95386	1038	"	"	Clamp	...	...	...
193f	1038	"	"	"	Binding Screw	...	...
95387	1038	"	"	"	"	Washer	...
92372	1389	"	"	"	Thread Retaining Spring	...	...
92373	—	<b>Needle Bar</b> , complete, Nos. NN74d, 193f, 197f, SS369d, 92372, 92529, 95385 to 95387 and two 10106	...	...	...	...	...
92374	1389	<b>Needle Guide</b>	...	...	...	...	...
92375	—	"	"	"	Adjustable Work Guide	...	...
173c	1391	"	"	"	Position Screw	...	...
92376	—	<b>Needle Guide</b> , complete, Nos. 108f, 640f, 92374, 92375 and 92562	...	...	...	...	...
92377	1390	<b>Needle Thread Controller Bracket</b>	...	...	...	...	...
330d	1391	"	"	"	"	Screw	...
92378	1389	"	"	"	"	Spring	...
92379	1389	"	"	"	"	Adjusting Plate	...
707d	1392	"	"	"	"	"	Screw
SS466d	1391	"	"	"	"	Screw	...
1637d	1392	"	"	"	"	Nut	...
92380	—	<b>Needle Thread Controller</b> , complete, Nos. 330d, SS466d, 707d, 1637d and 92377 to 92379	...	...	...	...	...
95463	—	<b>Tension Release</b>	...	...	...	...	...
95465	—	"	"	"	Rod	...	...
227c	1391	"	"	"	Set Screw	...	...
95464	—	"	"	"	Spring	...	...
131e	1391	"	"	"	Screw Stud Set Screw	...	...
95466	—	<b>Thread Guide</b> (Cover Plate)	...	...	...	...	...

## Numerical List of Parts

No.	Plate				
SS45d	1391	Cover Plate Binding Screw	...	...	...
SS45f	1391	Guide Binding Screw	...	...	...
54f	1391	Cover Plate Hinge Screw for 46K40 and 46K41 Machines	...	...	(Obsolete)
NN70a	1392	Guide Adjusting Plate Screw Stud Thumb Nut for 92368 and 92385	...	...	...
NN71b	1392	Guide Adjusting Plate Guide Screw Nut for 92385	...	...	...
NN74d	1392	Needle Bar Thread Retaining Tension Screw Regulating Thumb Nut for 92373, 92576 and 95388	...	...	...
NN77d	1392	Thread Take-up Post Thumb Nut for 92308	...	...	...
NN80b	1038	Guide Adjusting Plate Guide Screw Nut for 92368	...	...	...
108f	1391	Needle Guide Adjustable Work Guide Hinge Screw for 92304, 92376, 92572 and 95391	...	...	...
114d	1391	Head (of Machine) Binding Screw	...	...	...
131e	1391	Tension Screw Stud Set Screw for 92391 and 95462	...	...	...
134d	1391	Feed Bracket (front) Screw	...	...	...
164f	1391	Needle Guide Binding Screw	...	...	...
171e	1391	Needle Bar Crank Connecting Rod Cap Screw for 92553	...	...	...
173c	1391	Needle Guide Position Screw for 46K43 and 46K44 Machines	...	...	...
175f	1391	Loop Spreader Binding Screw	...	...	...
175f	1391	Needle Bar Connection Binding Screw for 92549	...	...	...
185c	1391	Thread Nipper Screw for 92577, 95461 and 95462	...	...	...
190d	956	Feed Bracket Adjusting Screw Stud Stop Screw for 92392	...	...	...
190f	956	Looper Screw for 46K43 and 46K44 Machines	...	...	...
190f	956	Looper Thread Controller Screw for 46K43 and 46K44 Machines	...	...	...
191c	1038	Needle Bar Rock Lever Set Screw for 92551...	...	...	...
193f	1038	Looper Binding Screw	...	...	...
193f	1038	Needle Bar Clamp Binding Screw for 92373 and 95388	...	...	...