

mitsubishi

三菱工業用ミシン制御部品カタログ Industrial Sewing Machine Control Unit Parts List

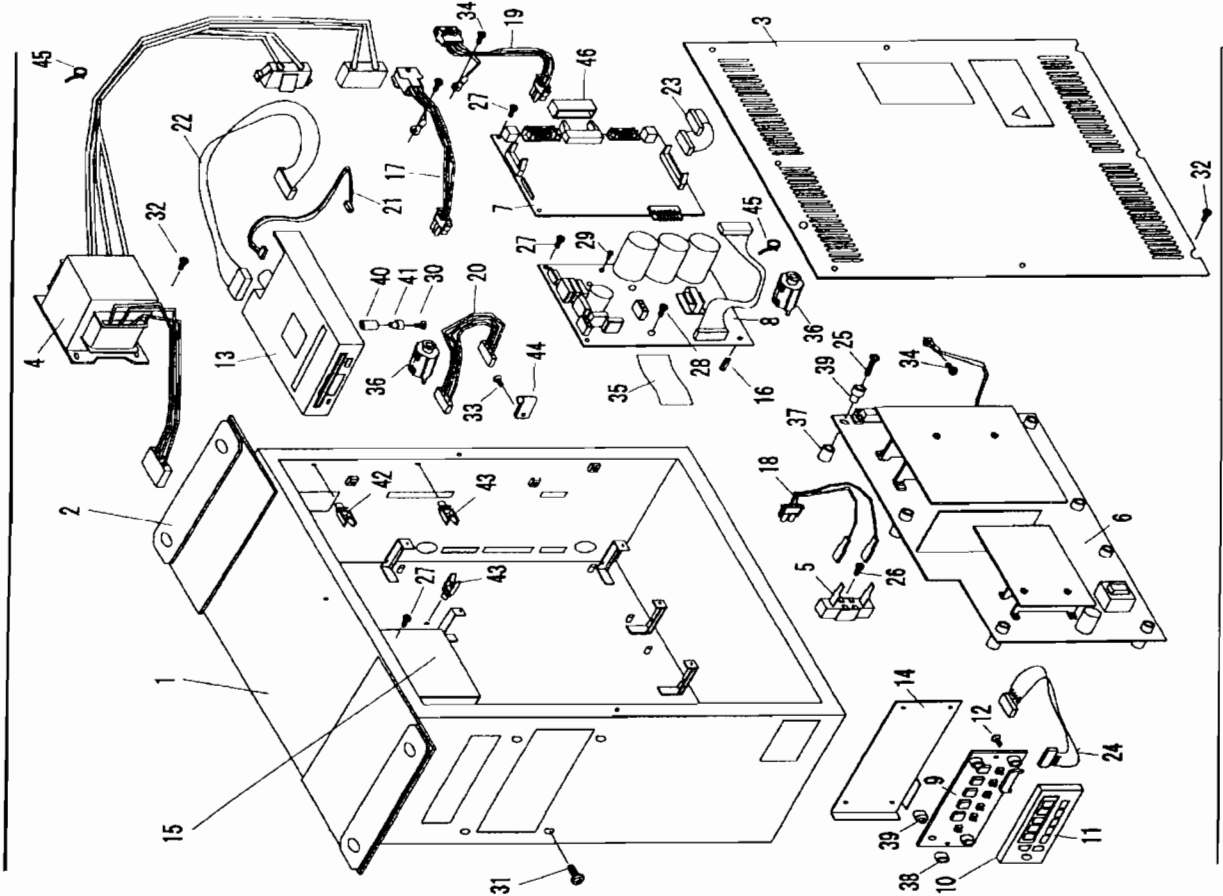
Model PLK-E

| 目次 | INDEX | Page |
|--|--|------|
| [A] 制御盤[PLK-E-CU-20]の主要部品 | MAIN PARTS OF CONTROL UNIT [PLK-E-CU-20]..... | 1 |
| [B] 制御盤付属品 | CONTROL UNIT ACCESSORY..... | 3 |
| [C] 電源ユニット[PLK-B-PU-***]の主要部品 | MAIN PARTS OF POWER UNIT [PLK-B-PU-***]..... | 5 |
| [D] ノイズフィルターユニット[PLK-E-NU-20]部分 の主要部品と付属品 | MAIN PARTS OF NOIZE FILTER UNIT[PLK-E-NU-20] AND ACCESSORY..... | 7 |
| [E] 入力パネル[PLK-E-PAL]部分の主要部品 | MAIN PARTS OF TEACHING PANEL[PLK-E-PAL]..... | 9 |
| [F] CEキットの主要部品[PLK-E-CE] | MAIN PARTS OF CE KIT[PLK-E-CE]..... | 11 |
| 索引 | INDEX..... | 13 |

[A] 制御盤[PLK-E-CU-20]の主要部品
 MAIN PARTS OF CONTROL UNIT [PLK-E-CU-20]

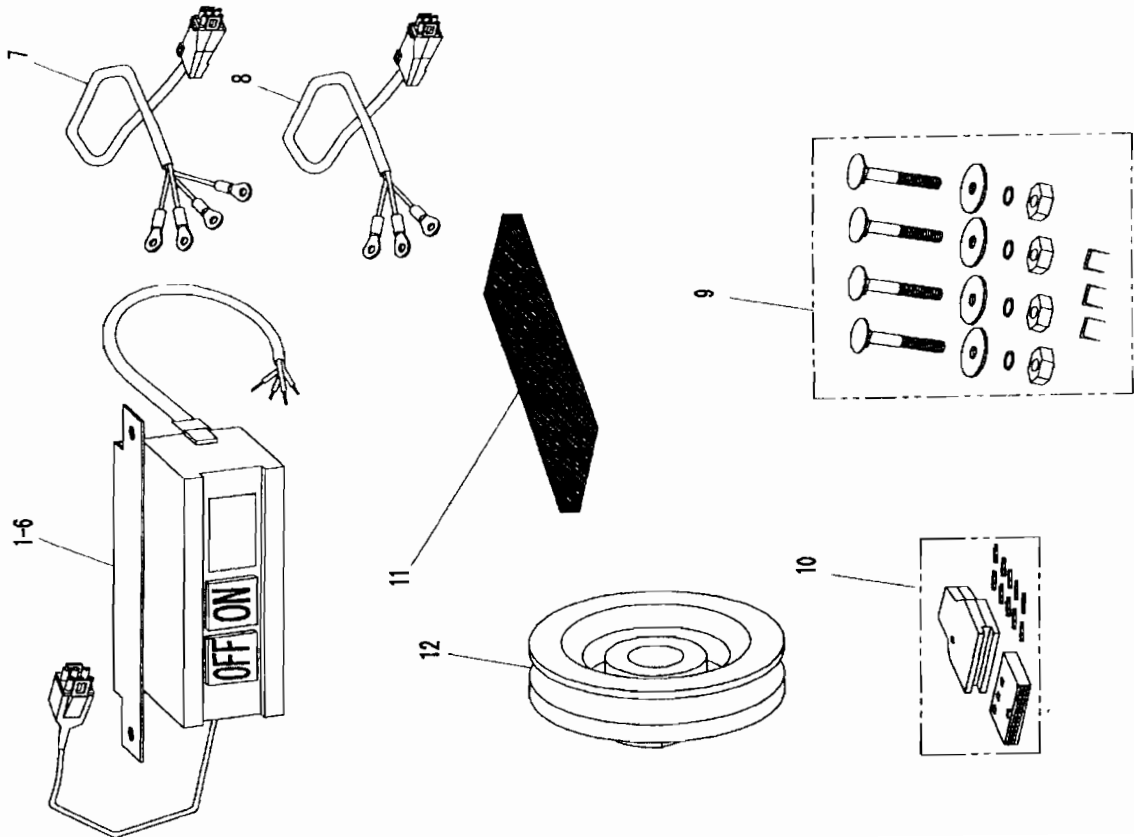
| No | 変更 Mod. | 部品コード Parts No | 部品名 | Description | 使用個数 Ant Reg |
|------|------------|-------------------|-----------------------------|-----------------------------------|-----------------|
| A001 | | K14M73840401 | 箱 | Box | 1 |
| A002 | | K14M73848101 | カバー | Cover | 1 |
| A003 | | K14M73846002 | カバー | Cover | 2 |
| A004 | | K14K31600001 | 1572組立 [200-240V] | Transformer [200-240V] | 1 |
| A005 | | K14M030A101K | 回生抵抗 [200-240V] | Resistor [200-240V] | 1 |
| A006 | | M8008EPM0 | 77V用基板 [PLK-B1-PMD-E] | P.C.B. [PLK-B1-PMD-E] | 1 |
| A007 | | M8008ECPU | 77V用基板 [PLK-B1-CPU-E] | P.C.B. [PLK-B1-CPU-E] | 1 |
| A008 | | K14M72009810 | 77V用基板 [XC-E2-1B-PLK] | P.C.B. [XC-E2-1B-PLK] | 1 |
| A009 | | M8008DISP | 77V用基板 [PLK-B1-DISP] | P.C.B. [PLK-B1-DISP] | 1 |
| A010 | | K14M71730101 | 設定パネル | Setting Panel | 1 |
| A011 | | K14M73892401 | シート | Sheet | 1 |
| A012 | | K14S90751206 | T.T.P.A. 37 | T.T-P-Screw M3X6 | 2 |
| A013 | | K14M56200003 | 709E 77V用基板 | F.O.D | 1 |
| A014 | | K14M73850201 | 取付板 [DISP基板] | Guide | 1 |
| A015 | | K14M73850301 | 取付板 [FDD用] | Guide | 1 |
| A016 | | K14M72059601 | ケーブル | Support | 3 |
| A017 | | K14M72028431 | 接続電線 [XC-E] ⇄ [押印24V付] | Cord [XC-E] ⇄ [SW] | 1 |
| A018 | | K14M71926330 | 接続電線 [XC-E] ⇄ [回生抵抗] | Cord [XC-E] ⇄ [Resistor] | 1 |
| A019 | | K14M73826031 | 接続電線 [XC-E] ⇄ [モーター] | Cord [XC-E] ⇄ [Motor] | 1 |
| A020 | | K14M73826130 | 接続電線 [XC-E] ⇄ [PMD] | Cord [XC-E] ⇄ [PMD] | 1 |
| A021 | | K14M73826230 | 接続電線 [PMD] ⇄ [FDD] | Cord [PMD] ⇄ [FDD] | 1 |
| A022 | | K14M73826333 | 接続電線 [CPU] ⇄ [FDD] | Cord [CPU] ⇄ [FDD] | 1 |
| A023 | | K14M73826433 | 接続電線 [CPU] ⇄ [PMD] | Cord [CPU] ⇄ [PMD] | 1 |
| A024 | | K14M73826530 | 接続電線 [CPU] ⇄ [DISP] | Cord [CPU] ⇄ [DISP] | 1 |
| A025 | | K14S90203420 | SW-PW付 P.A. 37 [MAXO. 7X20] | P-Screw with SW M3PM [MAXO. 7X20] | 7 |
| A026 | | K14S90203408 | SW-PW付 P.A. 37 [MAXO. 7X8] | P-Screw with SW M3PM [MAXO. 7X8] | 1 |
| A027 | | K14S90203408 | SW-PW付 P.A. 37 [MAXO. 7X8] | P-Screw with SW M3PM [MAXO. 7X8] | 1 |
| A028 | | K14S90203412 | SW-PW付 P.A. 37 [MAXO. 7X12] | P-Screw with SW M3PM [MAXO. 7X12] | 11 |
| A029 | | K14S90203220 | SW-PW付 P.A. 37 [M3XO. 5X12] | P-Screw with SW M3PM [M3XO. 5X12] | 2 |
| A030 | | K14S90203220 | SW-PW付 P.A. 37 [M3XO. 5X20] | P-Screw with SW M3PM [M3XO. 5X20] | 4 |
| A031 | | K14S90203425 | SW-PW付 P.A. 37 [MAXO. 7X25] | P-Screw with SW M3PM [MAXO. 7X25] | 4 |
| A032 | | K14S90203410 | SW-PW付 P.A. 37 [MAXO. 7X10] | P-Screw with SW M3PM [MAXO. 7X10] | 12 |
| A033 | | K14S90203410 | SW-PW付 P.A. 37 [MAXO. 7X10] | P-Screw with SW M3PM [MAXO. 7X10] | 2 |
| A034 | | K14S90201408 | SW付 P.A. 37 [MAXO. 7X10] | P-Screw with SW [MAXO. 7X10] | 2 |
| A035 | | K14M73871101 | シート | Rubber Sheet | 6 |
| A036 | | K14M79400102 | 25V用フェライトコア | Ferrite Core | 1 |
| A037 | | K14M94508600 | 57-[NA-410] | Collar [NA-410] | 2 |
| A038 | | K14S95900105 | 57-[NA-405] | Collar [NA-405] | 7 |
| A039 | | K14S95900112 | 77V用 [NB-400] | Bushing [NB-400] | 4 |
| A040 | | K14M82300102 | 77V用 | Collar | 11 |
| A041 | | K14M96026900 | 77V用 [TB-300] | Bushing [TB-300] | 4 |
| A042 | | K14M73898201 | 77V用 [WS-A-1-01] | Wire Saddle [WS-A-1-01] | 1 |
| A043 | | K14M73898202 | 77V用 [WS-A-2-01] | Wire Saddle [WS-A-2-01] | 1 |
| A044 | | K14S94522007 | 77V用 [HP-7N] | Nylon Clip [HP-7N] | 3 |
| A045 | | K14M94505000 | 47V用 [T188] | Band [T188] | 2 |
| A046 | | K14M73898001 | 97V用 [DUSTER COVER] | DUSTER COVER | 9 |

[A] 制御盤[PLK-E-CU-20]の主要部品
 MAIN PARTS OF CONTROL UNIT [PLK-E-CU-20]



[B] 制御盤付属品

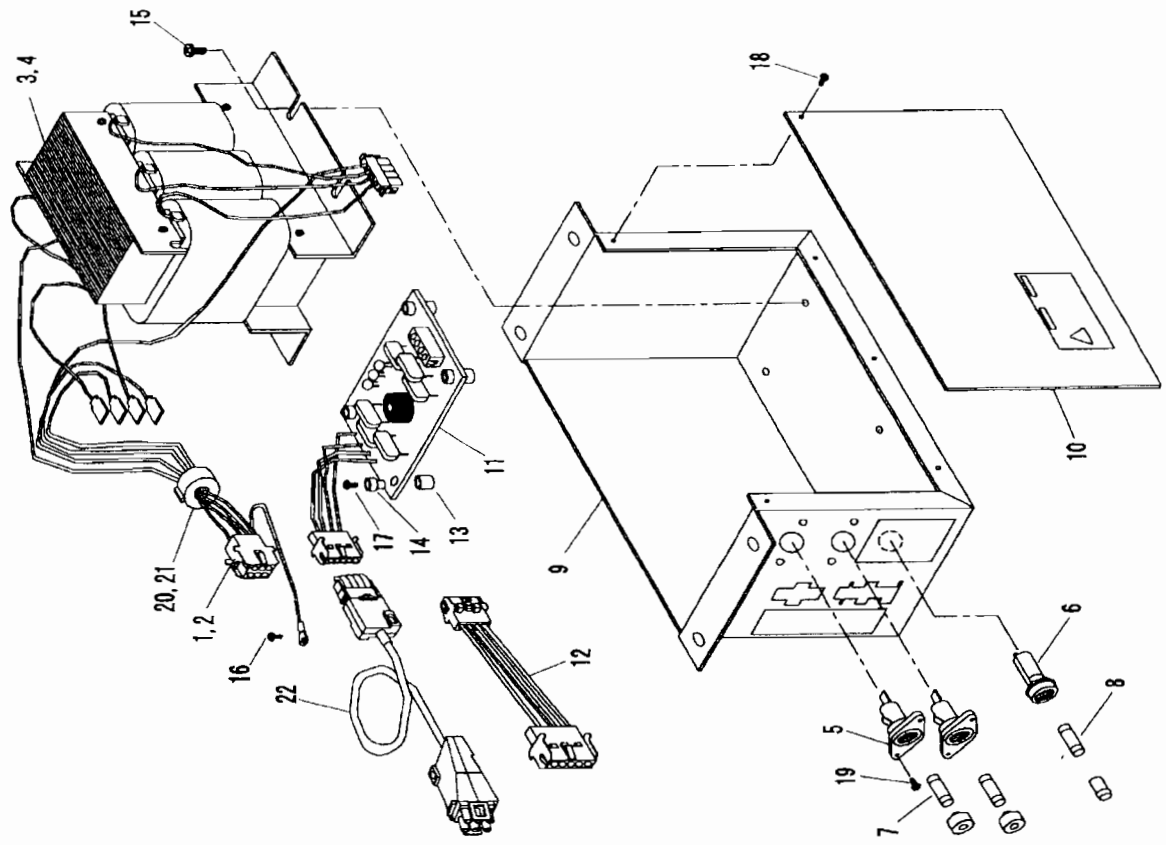
CONTROL UNIT ACCESSORY



[B] 制御盤付属品
CONTROL UNIT ACCESSORY

| Fig. 変更 No. Mod. | 部品No. Parts.No. | 部品名 Description | 使用個数 Qty. Req. |
|---------------------|--------------------|--------------------|-------------------|
| | | | 3~172 |
| B001 | K14M47932201 | 押入付相立[国内,4w7付] | 1 |
| B002 | K14M47932202 | 押入付相立[国内,2w7付] | 1 |
| B003 | K14M47932203 | 押入付相立[国内,2w7付] | 1 |
| B004 | K14M47932204 | 押入付相立[国内,2w7付] | 1 |
| B005 | K14M47932205 | 押入付相立[国内,2w7付] | 1 |
| B006 | K14M47932206 | 押入付相立[国内,2w7付] | 1 |
| B007 | K14M09032389 | 電源コネクタ[3-0w7] | 1 |
| B008 | K14M09036807 | 電源コネクタ[3-0w7] | 1 |
| B009 | K14M09023113 | 付属品[7本] | 1 |
| B010 | K14M09044219 | 付属品[34本] | 1 |
| B011 | K14M73848301 | ゴムパッキン | 1 |
| B012 | K14M97714201 | プーリー[T-65] | 1 |

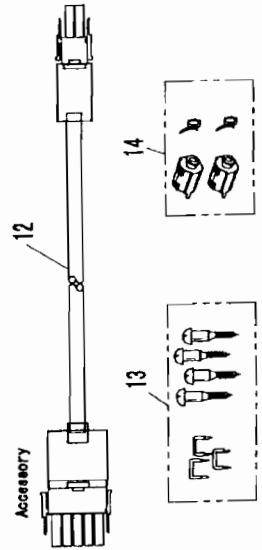
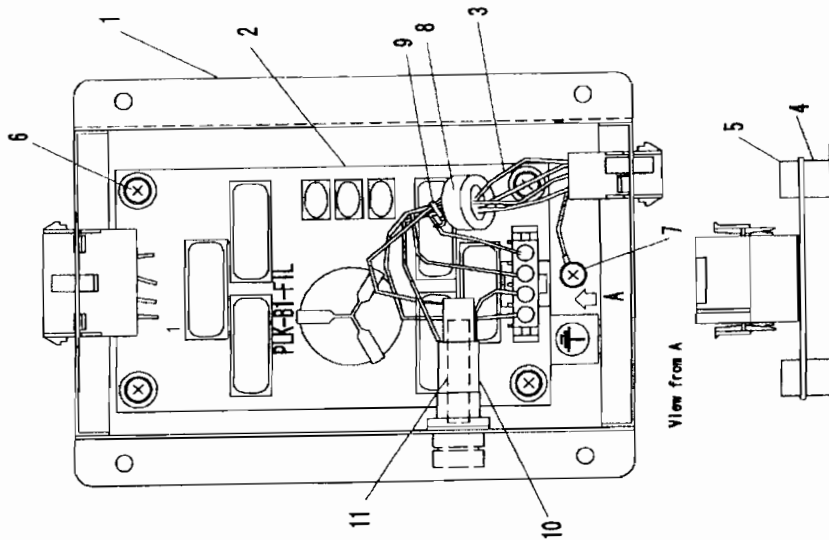
[C] 電源ユニット [PLK-B-PU-***] の主要部品
 MAIN PARTS OF POWER UNIT [PLK-B-PU-***]



[C] 電源ユニット [PLK-B-PU-***] の主要部品
 MAIN PARTS OF POWER UNIT [PLK-B-PU-***]

| Fig No | 家 要 部 品 コ ー ド Mod Parts No | 部 品 名 Parts Name | Description | 使用個数 Amt. Req. |
|--------|-------------------------------|---------------------------|------------------------------|-------------------|
| C001 | K1AM73828730 | 接続電線 [3φ, 380-415V] | Cord [3φ, 380-415V] | 1 |
| C002 | K1AM73828830 | 接続電線 [1φ, 100-120V] | Cord [1φ, 100-120V] | 1 |
| C003 | K1AM73804130 | 1φ/2相組立 [3φ, 380-415V] | Transformer [3φ, 380-415V] | 1 |
| C004 | K1AM73804330 | 1φ/2相組立 [1φ, 100-120V] | Transformer [1φ, 100-120V] | 1 |
| C005 | K1AM46000003 | ヒューズホルダ | Fuse holder | 2 |
| C006 | K1AS46002565 | ヒューズ [5A] | Fuse [5A] | 2 |
| C007 | K1AM46000002 | ヒューズ [20A] | Fuse [20A] | 2 |
| C008 | K1AM46018000 | ヒューズ [20A] | Fuse [20A] | 2 |
| C009 | K1AM73840101 | 箱 | Box | 1 |
| C010 | K1AM73846101 | カバー | Cover | 1 |
| C011 | M80081FIL | フィルタ電線 [PLK-B1-FIL] | P.C.B. [PLK-B1-FIL] | 1 |
| C012 | K1AM73828930 | 接続電線 [1φ, 100V/3φ, 380V] | Cord [1φ, 100V/3φ, 380V] | 1 |
| C013 | K1AM96000200 | コイル [NA-407] | Coil [NA-407] | 4 |
| C014 | K1AS59001127 | コイル [NB-400] | Coil [NB-400] | 4 |
| C015 | K1AS50203814 | SW-PW付 P/A 芯 [M8X1.25X14] | P-Screw with SW [M8X1.25X14] | 4 |
| C016 | K1AS50201408 | SW-PW付 P/A 芯 [MAX0.7X8] | P-Screw with SW [MAX0.7X8] | 4 |
| C017 | K1AS50203418 | SW-PW付 P/A 芯 [MAX0.7X18] | P-Screw with SW [MAX0.7X18] | 4 |
| C018 | K1AS50203410 | SW-PW付 P/A 芯 [MAX0.7X10] | P-Screw with SW [MAX0.7X10] | 5 |
| C019 | K1AS50203410 | SW-PW付 P/A 芯 [MAX0.7X10] | P-Screw with SW [MAX0.7X10] | 5 |
| C020 | K1AM94505000 | バンド [T188] | Band [T188] | 4 |
| C021 | K1AM19400102 | フェライトコア | Ferrite Core | 1 |
| C022 | K1AM73827030 | 接続電線 | Cord | 1 |

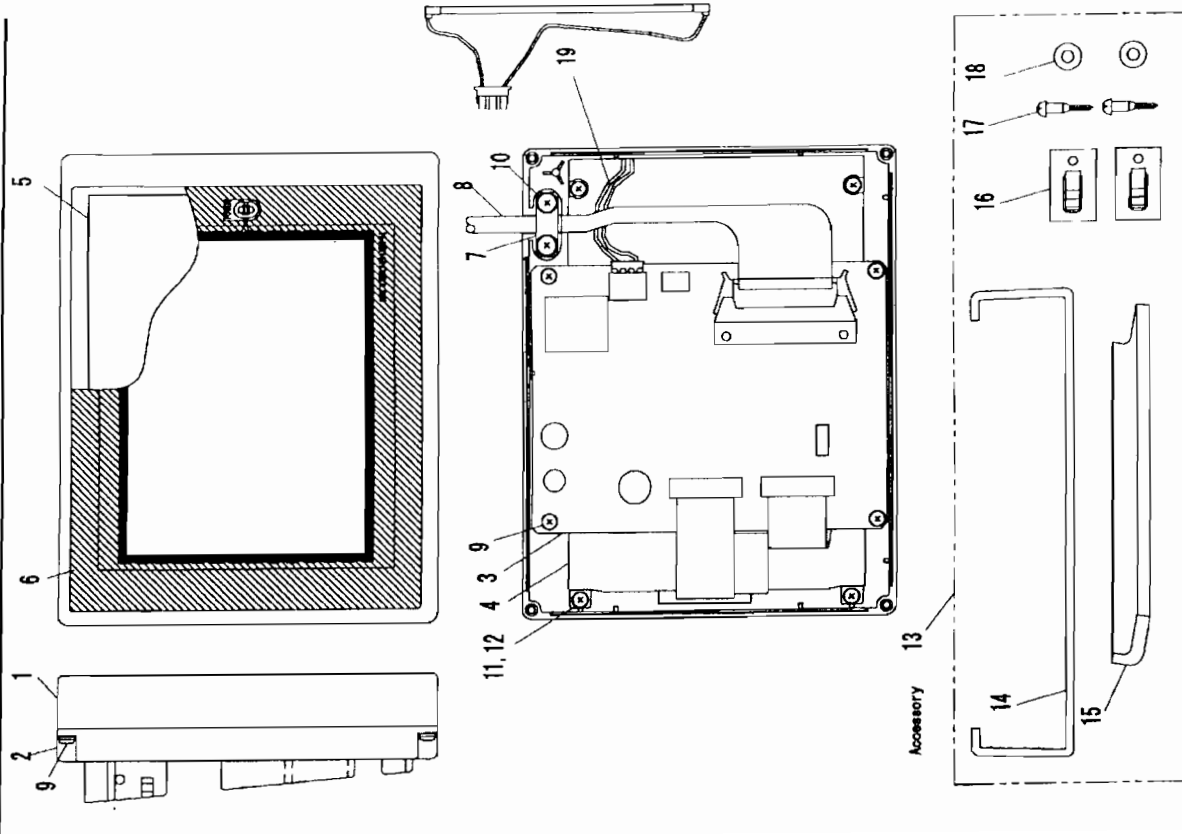
[D] ノイズフィルターユニット [PLK-E-NU-20] 部分の主要部品と付属品
 MAIN PARTS OF NOISE FILTER UNIT [PLK-E-NU-20] AND ACCESSORY



[D] ノイズフィルターユニット [PLK-E-NU-20] 部分の主要部品と付属品
 MAIN PARTS OF NOISE FILTER UNIT [PLK-E-NU-20] AND ACCESSORY

| Fig No | 変更 Mod | 部品コード Parts No. | 部品名 Description | 使用個数 Amt. Req. |
|--------|-----------|--------------------|----------------------------|-------------------|
| D001 | | K14M73840501 | 箱 | 1 |
| D002 | | M800BIFIL | フィルタ基板 [PLK-B1-FIL] | 1 |
| D003 | | K14M73828631 | 接続電線 | 1 |
| D004 | | K14M95000200 | 芯 [NA-407] | 4 |
| D005 | | K14S9500112 | ブッシング [NB-400] | 4 |
| D006 | | K14S9203416 | SW-PW付 P-スクリュー [MAXO.7X16] | 4 |
| D007 | | K14S9201406 | SW付 P-スクリュー [MAXO.7X6] | 1 |
| D008 | | K14M19400002 | フェリットコア | 1 |
| D009 | | K14M84505000 | バンド [T18R] | 1 |
| D010 | | K14M73888301 | フューズホルダ | 1 |
| D011 | | K14M46000004 | フューズ [15A] | 1 |
| D012 | | K14M73827030 | 接続電線 | 1 |
| D013 | | K14M09023114 | 付属品 [ネジ] | 1 |
| D014 | | K14M09044217 | 付属品 [フェリットコア] | 1 |

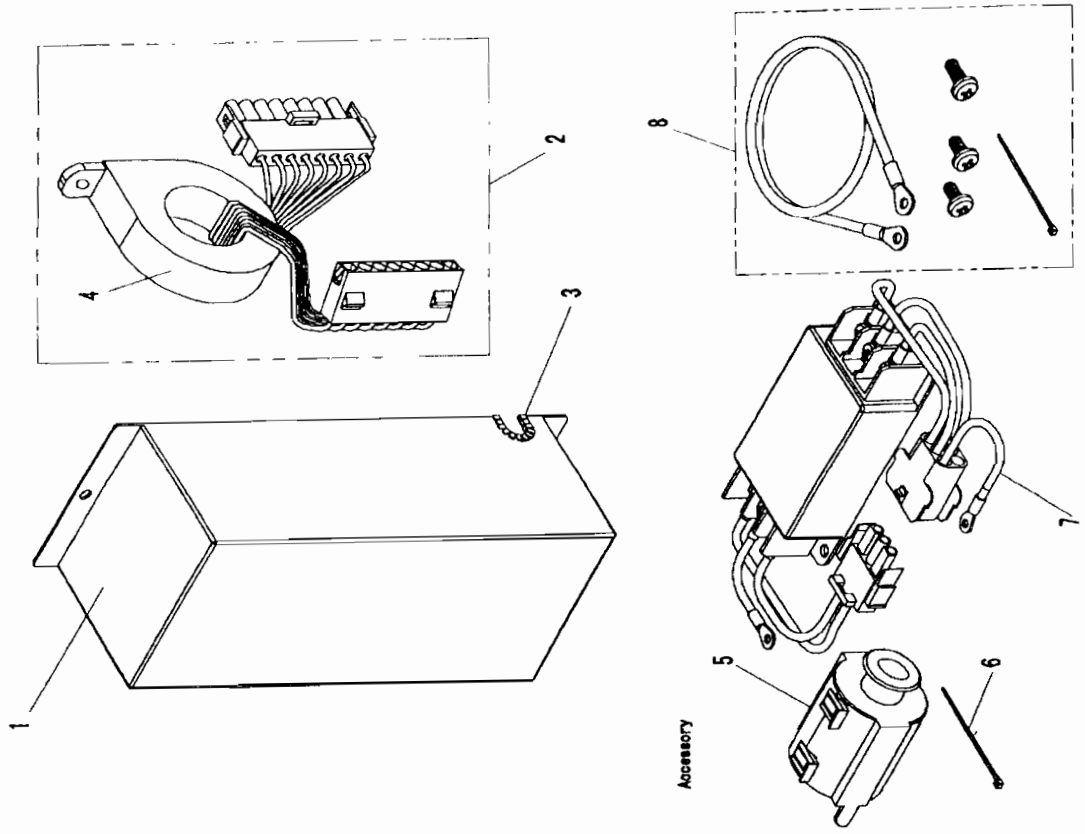
[E] 入カパネル [PLK-E-PAL] 部分の主要部品
MAIN PARTS OF TEACHING PANEL [PLK-E-PAL]



[E] 入カパネル [PLK-E-PAL] 部分の主要部品
MAIN PARTS OF TEACHING PANEL [PLK-E-PAL]

| Fig. 変更 No. Mod. | 部品コード Parts.No. | 部品名 | Description | 使用個数 Amt. Reg. |
|---------------------|--------------------|--------------------------|-------------------------------|-------------------|
| E001 | K14M73830201 | フロントパネル | Front Case | 1 |
| E002 | K14M73830301 | リアパネル | Rear Case | 1 |
| E003 | M800EOPAL | パネル基板 [PLK-E-PAL] | P. C. B. [PLK-E-PAL] | 1 |
| E004 | LM32019T | LCD | LCD | 1 |
| E005 | BKO-C10791H0 | タッチパネル | Touch Panel | 1 |
| E006 | K14M73871002 | シート | Sheet | 1 |
| E007 | K14M73850701 | 抜け止め | Cord Stopper | 1 |
| E008 | K14M73828531 | 接続電線 | Cord | 1 |
| E009 | K14M90203208 | SW-PW付 P4x6 寸 [M3X0.5X8] | P-Screw with SW&PW [M3X0.5X8] | 8 |
| E010 | K14M90203408 | SW-PW付 P4x6 寸 [M4X0.7X8] | P-Screw with SW&PW [M4X0.7X8] | 2 |
| E011 | K14M90751106 | P4x6 寸 [2.6X6] | T-T-P-Screw [2.6X6] | 4 |
| E012 | K14M91301095 | 平皿金 | Washer | 4 |
| E013 | K14M9044214 | 付属品 [スタンド] | Accessory [Stand] | 1 |
| E014 | K14M73869101 | スタンド | Stand | 1 |
| E015 | K14M14512201 | ゴム | Rubber | 1 |
| E016 | K14M19035801 | クリップ | Clip | 2 |
| E017 | K14M19040301 | 丸木ネジ [3.1X16] | Wood Screw [3.1X16] | 2 |
| E018 | K14M19038801 | 小皿金 | Washer | 2 |
| E019 | K14M73869001 | ランプ | Lamp | 1 |

[F] CEキットの主要部品 [PLK-E-CE]
 MAIN PARTS OF CE KIT [PLK-E-CE]



Accessory

[F] CEキットの主要部品 [PLK-E-CE]
 MAIN PARTS OF CE KIT [PLK-E-CE]

| Fig. 変更 No. Mod. | 部品コード Parts.No. | 部品名 Description | 使用個数 Amt. Reg. |
|---------------------|--------------------|--------------------|-------------------|
| F001 | K14M73842001 | カバー | 1 |
| F002 | K14M73928930 | 接続電線 | 1 |
| F003 | K14M93505799 | ブッシュ | 1 |
| F004 | ESD-R-47B | フェリットコア | 1 |
| F005 | K14M19400102 | フェリットコア | 1 |
| F006 | K14M94505000 | バンド [T18R] | 1 |
| F007 | K14M73829001 | ノイズフィルタユニット | 1 |
| F008 | K14M09044213 | 接続電線 | 1 |

索引 (I)

INDEX (I)

| 部品コード Parts.No. | ページ Page | 図 No. | 部品コード Parts.No. | ページ Page | 図 No. | 部品コード Parts.No. | ページ Page | 図 No. |
|--------------------|-------------|----------|--------------------|-------------|----------|--------------------|-------------|----------|
| 9K0-C10791H02 | P10 | E005 | K14M73840101 | P6 | C009 | K14S95900106 | P2 | A038 |
| ESD-R-47B | P12 | F004 | K14M73840401 | P2 | A001 | K14S95900112 | P2 | A039 |
| K14M030A101K | P2 | A005 | K14M73840501 | P8 | D001 | K14S95900112 | P6 | C014 |
| K14M09023113 | P4 | 8009 | K14M73842001 | P12 | F001 | K14S95900112 | P8 | D005 |
| K14M09023114 | P8 | D013 | K14M73846002 | P2 | A003 | LM32019T | P10 | E004 |
| K14M09032389 | P4 | 9007 | K14M73848101 | P6 | C010 | M800B1FIL | P6 | C011 |
| K14M09036807 | P4 | 8008 | K14M73848101 | P2 | A002 | M800B1FIL | P8 | D002 |
| K14M09044213 | P12 | F008 | K14M73848301 | P4 | B011 | M800B1FIL | P2 | A009 |
| K14M09044214 | P10 | E013 | K14M73850201 | P2 | A014 | M800B1FIL | P2 | A007 |
| K14M09044217 | P8 | D014 | K14M73850301 | P2 | A015 | M800B1FIL | P2 | A006 |
| K14M09044219 | P4 | 8010 | K14M73850701 | P10 | E007 | M800B1FIL | P10 | E003 |
| K14M14512201 | P10 | E015 | K14M73869001 | P10 | E019 | | | |
| K14M19035801 | P10 | E016 | K14M73869101 | P10 | E014 | | | |
| K14M19038801 | P10 | E018 | K14M73871001 | P10 | E006 | | | |
| K14M19040301 | P10 | E017 | K14M73871101 | P2 | A035 | | | |
| K14M19400002 | P8 | D008 | K14M73892401 | P2 | A011 | | | |
| K14M19400102 | P2 | A036 | K14M73898001 | P2 | A046 | | | |
| K14M19400102 | P6 | C021 | K14M73898201 | P2 | A042 | | | |
| K14M19400102 | P12 | F005 | K14M73898202 | P2 | A043 | | | |
| K14M31600001 | P2 | A004 | K14M73898301 | P8 | D010 | | | |
| K14M46000002 | P6 | C007 | K14M82300102 | P2 | A040 | | | |
| K14M46000003 | P6 | C005 | K14M90203208 | P10 | E009 | | | |
| K14M46000004 | P8 | D011 | K14M90203408 | P10 | E010 | | | |
| K14M46018000 | P6 | C008 | K14M90751106 | P10 | E011 | | | |
| K14M47932201 | P4 | 8001 | K14M91301095 | P10 | E012 | | | |
| K14M47932202 | P4 | 8002 | K14M93505799 | P12 | F003 | | | |
| K14M47932203 | P4 | 8003 | K14M94505000 | P2 | A045 | | | |
| K14M47932204 | P4 | 8004 | K14M94505000 | P6 | C020 | | | |
| K14M47932205 | P4 | 8005 | K14M94505000 | P8 | D009 | | | |
| K14M47932206 | P4 | 8006 | K14M94505000 | P12 | F006 | | | |
| K14M55200003 | P2 | A013 | K14M94508600 | P2 | A037 | | | |
| K14M71730101 | P2 | A010 | K14M96000200 | P6 | C013 | | | |
| K14M71926330 | P2 | A018 | K14M96000200 | P8 | D004 | | | |
| K14M72009810 | P2 | A008 | K14M96002000 | P2 | A041 | | | |
| K14M72026431 | P2 | A017 | K14M97714201 | P4 | B012 | | | |
| K14M72059601 | P2 | A016 | K14S46002565 | P6 | C005 | | | |
| K14M73804130 | P6 | C003 | K14S90201406 | P8 | D007 | | | |
| K14M73826031 | P2 | C004 | K14S90201408 | P2 | A034 | | | |
| K14M73826130 | P2 | A019 | K14S90201408 | P6 | C016 | | | |
| K14M73826130 | P2 | A020 | K14S90203212 | P2 | A029 | | | |
| K14M73826332 | P2 | A021 | K14S90203212 | P2 | A030 | | | |
| K14M73826433 | P2 | A022 | K14S90203408 | P2 | A026 | | | |
| K14M73826530 | P2 | A023 | K14S90203408 | P2 | A027 | | | |
| K14M73826530 | P6 | C001 | K14S90203410 | P2 | A032 | | | |
| K14M73826530 | P6 | C002 | K14S90203410 | P6 | C018 | | | |
| K14M73826930 | P5 | C012 | K14S90203410 | P6 | C019 | | | |
| K14M73827030 | P8 | D012 | K14S90203412 | P2 | A028 | | | |
| K14M73828531 | P10 | E008 | K14S90203416 | P8 | D006 | | | |
| K14M73828631 | P8 | D003 | K14S90203418 | P6 | C017 | | | |
| K14M73828930 | P12 | F002 | K14S90203420 | P2 | A025 | | | |
| K14M73829001 | P12 | F007 | K14S90203425 | P2 | A031 | | | |
| K14M73830201 | P10 | E001 | K14S90203814 | P6 | C015 | | | |
| K14M73830301 | P10 | E002 | K14S90751206 | P2 | A012 | | | |
| | | | K14S94522007 | P2 | A044 | | | |

