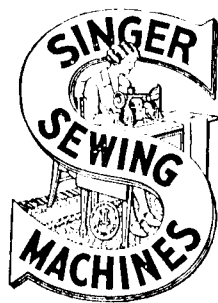


SINGER
61W80

LIST OF PARTS



MACHINE No. 61w80

THE SINGER MANUFACTURING COMPANY

INDEX

	PAGE
ACCESSORIES	15
BOBBIN WINDER	15
FEED DOGS	17
KNEE LIFTER	16
MACHINE No. 61w80	7
NUMERICAL LIST OF PARTS	19
ROLLER PRESSERS	17
THROAT PLATES	18

Instructions for Ordering

In ordering from this list, use **ONLY** the **PART** number in the **FIRST** column

The number stamped on a Sewing Machine Part is the number of the Single Part only, except when the part includes Set Screws, Clamping Screws, Studs and Rollers Spun on, Small Wires riveted, or Parts soldered together, etc., which it is necessary to furnish in combination.

Every combination of parts sent out has its specific number which, although not stamped on Parts (except in above cases) must be used when ordering the combination.

Each number always indicates the **SAME PART** in whatever list it appears, or for whatever Machine.

The letters after some of the numbers indicate the style of finish only, as follows:

- A. Hardened, Polished and Plated.
- B. Polished and Plated.
- C. Hardened only.
- D. Polished only.
- E. Soft, not polished.
- F. Hardened and Polished.
- H. Blued.

These letters **MUST BE USED** when they appear in the list and **AFTER** the number, as in the list.

In this series

200001 to 201500 are Screw Numbers.

201501 to 201800 are Nut Numbers.

201801 to 202000 are Roller Numbers.

202001 and upward are numbers of Machine Parts.

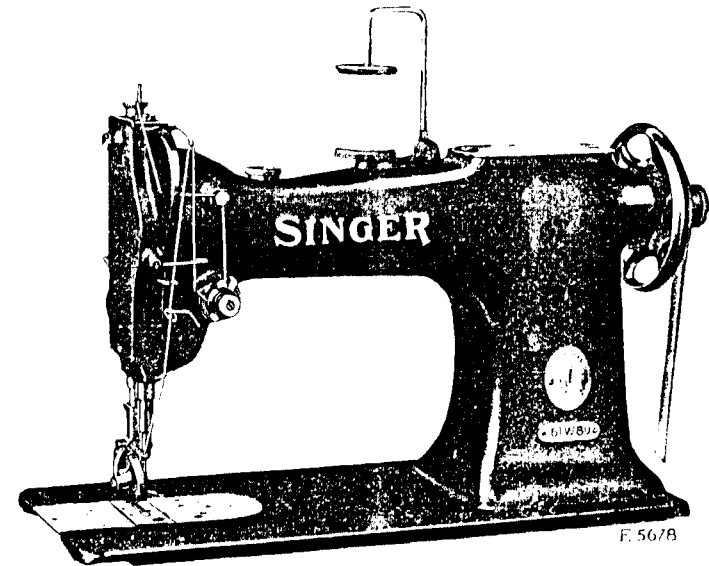
The figures in the second column refer only to the plate in which the illustration of the part is shown and are **NOT TO BE USED** in ordering.

Two or more numbers over a cut indicate that the difference between such parts is not visible in an illustration.

Parts marked with an asterisk (*) are furnished only when repairs are made at the factory.

LIST OF PARTS COMPLETE

FOR



MACHINE No. 61w80

ROLLER PRESSER

For Leather

No.	Plate	Name
*207079		Arm
202247	10667	" Cap
200278n	10244	" " Screw
202248	10244	" " " Washer
204235	10668	" Position Pin (2)
200010e	10245	" Screw (3)
202005	10245	" " Washer (3)
202249	13351	" Shaft with 200357e and 203100
202243	13351	" " Bushing (back) with
		202244
207080	13390	Arm Shaft Bushing (front) with
		202244

No.	Plate	Name
200502b	10246	Arm Shaft Bushing (front) Oil Packing Thumb Screw
202244	-----	Arm Shaft Bushing Oil Packing (wick)
200338c	10244	Arm Shaft Bushing Set Screw
202530	13351	" " Connection Belt
202252	10244	" " " " Pulley with 200327c, 200602e and two 202253
200602e	10244	Arm Shaft Connection Belt Pulley Position Screw
200327c	10244	Arm Shaft Connection Belt Pulley Set Screw
202253	10244	Arm Shaft Connection Belt Pulley Spring Flange
203100	---	Arm Shaft Oil Packing (wick) ...
200357E	10244	" " " " Stop Screw...
202255	13351	Balance Wheel (belt groove 2 1/4 in. diam.) with 200328c and 200335c
200328c	10244	Balance Wheel Position Screw ...
200335c	10244	" " Set Screw
*207081	---	Bed
207082	13390	" Plate (back)
200577H	10245	" " " Screw
207083	13390	" Slide (front)
202265	11671	Bobbin
*202806	---	" Case
202267	11671	" " Latch
*202056	---	" " " Pin
202269	11671	" " " Plunger
202270	11671	" " " Spring
202716	11671	" " Tension Spring
200984c	11671	" " " " Regulat- ing Screw
200594c	11671	Bobbin Case Tension Spring Screw
202533	11671	Bobbin Case complete, Nos. 200594c, 200984c, 202056, 202267, 202269, 202270, 202716 and 202806
202274	10667	Face Plate
202135	10245	" " Position Pin
200462b	10245	" " Thumb Screw
202275	10667	Feed Bar
200641c	10246	" " Hinge Screw (driving)...
201522E	10246	" " " " Nut
202276	10245	" " Slide Block
202298	10245	" " " " Crank with 200038c
203124	---	Feed Bar Slide Block Crank 202298 with 200205E, 201518E and 202276

No.	Plate	Name
200038c	10245	Feed Bar Slide Block Crank Pinch Screw
200205E	10245	Feed Bar Slide Block Hinge Screw
201518E	10245	" " " " " " " Nut
207075	13389	Feed Dog
200106E	10245	" " Screw (2)
202297	10667	" Driving Connection with 200054E and 202277
202298	10245	Feed Driving Connection Crank with 200038c
200038c	10245	Feed Driving Connection Crank Pinch Screw
200545c	10245	Feed Driving Connection Hinge Screw
201518E	10245	Feed Driving Connection Hinge Screw Nut
202277	---	Feed Driving Connection Oil Pack- ing (wick)
200054E	10246	Feed Driving Connection Pinch Screw
202300	10246	Feed Driving Eccentric Regulating Bracket
203134	---	Feed Driving Eccentric Regulating Bracket 202300 with 202252, two each 201014c and 201525e
201014c	10245	Feed Driving Eccentric Regulating Bracket Hinge Screw
201525E	10245	Feed Driving Eccentric Regulating Bracket Hinge Screw Nut
202301	10246	Feed Driving Eccentric Regulating Bracket Plunger
202595	10246	Feed Driving Eccentric Regulating Bracket Plunger Spring
200607c	10246	Feed Driving Eccentric Regulating Bracket Plunger Spring Stop Screw
201014c	10245	Feed Driving Eccentric Regulating Bracket Stop Screw
201525E	10245	Feed Driving Eccentric Regulating Bracket Stop Screw Nut
200429c	10246	Feed Driving Eccentric Regulating Screw
200383c	10246	Feed Driving Eccentric Regulating Screw Check Screw
202303	13390	Feed Driving Rock Shaft
206860	---	" " " " " 202303 with 200641c, 201522E and 202275

No.	Plate	Name
202305	10245	Feed Driving Rock Shaft Center (2)
200043c	10246	" " " " " Set Screw (2)
202306	10667	Feed Lifting Connection with 200054e and 202277
202307	10246	Feed Lifting Connection Eccentric with 200382c and 200437c
200437c	10246	Feed Lifting Connection Eccentric Position Screw
200382c	13361	Feed Lifting Connection Eccentric Set Screw
200545c	10245	Feed Lifting Connection Hinge Screw
201518e	10245	Feed Lifting Connection Hinge Screw Nut
202277	---	Feed Lifting Connection Oil Packing (wick)
200054e	10246	Feed Lifting Connection Pinch Screw
202308	13390	Feed Lifting Rock Shaft
202305	10245	" " " " " Center (2)
200043c	10246	" " " " " Set Screw (2)
202310	13390	Feed Regulating Spindle with 202311, 202443 and 202619
*202311		Feed Regulating Spindle Head ...
202443	10244	" " " " " Pin
202619	10668	" " " " " Position Pin
*206721		Hook (sewing)
206722	13391	" 206721 with 200145c, 200596f, 200614c, 202320, 203101, 206751, 206775 and 206852
206723	-	Hook and Bobbin Case complete, Nos. 202533 and 206722
206852	13361	Hook Gib
200614c	11671	" " Hinge Screw
200596f	11671	" " Screw
203101	-	" Oil Wick
*202320	-	" Shaft, 11/2 in. long
202321	10245	" " Bushing (back)
200346c	11671	" " " " " Set Screw
202322	10245	" " " " " (front)
200346c	11671	" " " " " Set Screw
202323	10244	" " Connection Belt Pulley with 202324 and two 201018
201018c	13361	Hook Shaft Connection Belt Pulley Set Screw
202324	10244	Hook Shaft Connection Belt Pulley Spring Flange

No.	Plate	Name
202260	-	Hook Shaft Oil Packing (wick) (2)
206775	11671	" " Pin
206751	11671	" Washer
200145c	11671	" " Screw
237837	13391	Knee Lifter Connection Lever
244035	-	" " " " " 237837 with 202447, 244034 and two 200262h
200262h	10248	Knee Lifter Connection Lever Hinge Screw
202447	13391	Knee Lifter Connection Lever Lifting Rod with 202302
202302	10248	Knee Lifter Connection Lever Lifting Rod Cotter Pin
244034	13391	Knee Lifter Lifting Lever
200262h	10248	" " " " " Hinge Screw
202326	10248	Needle Bar with 200141f
202327	10248	" " Bushing
203123	----	" " " " 202327 with 202326
200352c	10248	Needle Bar Bushing Set Screw ...
202331	10248	" " Connecting Link
236073	13389	" " " " " Oil Guard
200161b	10247	Needle Bar Connecting Link Oil Guard Screw
202333	10248	Needle Bar Connecting Link Stud with 202254
202254	-	Needle Bar Connecting Link Stud Oil Packing (wick)
200374c	10668	Needle Bar Connecting Link Stud Set Screw
*206891		Needle Bar Connecting Stud
202329	10248	" " " " " 206891 with 200086c and 202330
202330	-	Needle Bar Connecting Stud Oil Packing (wick)
200086c	10248	Needle Bar Connecting Stud Pinch Screw
202328	13391	Needle Bar Crank with 200335c, 200428c, 202333 and two 200374c ..
203117	----	Needle Bar Crank 202328 with 202329, 202331 and 202398 to 202400
203172	10248	Needle Bar Crank Friction Washer
200428c	10248	" " " " " Position Screw ..
200335c	10244	" " " " " Set Screw
200141f	10248	" Set Screw

No.	Plate	Name
207072	10249	Presser Bar Bushing
200352c	10248	" " " Set Screw
202339	10249	" " Lifter
200653c	10249	" " " Hinge Screw ...
244004	13389	" " Lifting Releasing Lev- er Bracket
200260d	10249	Presser Bar Lifting Releasing Lev- er Bracket Guide Screw
206608	13389	Presser Bar Lifting Releasing Lev- er Bracket Spring
202337	10249	Presser Bar Position Guide
202338	10249	" " " " Lever with 200086F
200086F	10248	Presser Bar Position Guide Lever Pinch Screw
200352c	10248	Presser Bar Position Guide Set Screw
202378	13361	Presser Bar Spring (heavy)
202346	10249	" " " Stop Rod
200492R	10249	" " Thumb Screw (pres- sure regulating)
200475B	10668	Presser Bar Thumb Screw Thumb Set Screw
202355	10668	Presser Bar Thumb Screw Thumb Set Screw Packing (brass)
201906	13389	Roller Presser, 1 $\frac{1}{2}$ in. diam., $\frac{3}{8}$ in. face (fine), with 200548c and 201534u
202839	13389	Roller Presser Arm
204567	-----	" " " 202839 with 201906
202560	13389	Roller Presser Arm Bracket (swing)
202838	-----	" " " " 202560 with 200096d and 204567
200675F	13361	Roller Presser Arm Bracket Posi- tion Screw Stud
202558	13389	Roller Presser Arm Bracket Spring
202559	13389	" " " " " " Stop
200141F	10248	Roller Presser Arm Bracket Spring Stop Screw
200096d	13361	Roller Presser Arm Screw
202557	13391	" " Bar
200548c	13361	" " Hinge Screw
201534u	13389	" " " " Nut
202840	-----	Roller Presser and Bar complete, Nos. 200675F, 202557 to 202559, 202838 and two 200141F

No.	Plate	Name
202068	12153	Spool Holder Base
200575u	10668	" " " Screw
204296	12153	" " Wire
200079u	10668	" " " Hinge Screw ...
204297	12153	Spool Holder complete, Nos. 200079u, 202068 and 204296
202397	10668	Take-up (auxiliary)
200842E	10668	" " " Screw
202398	10247	" Lever
202399	10247	" " Driving Stud with 202277
202277	-----	" " " " Oil Packing (wick)
202400	10247	Take-up Lever Hinge Stud with 202423
202423	-----	Take-up Lever Hinge Stud Oil Pack- ing (wick)
200383	10246	Take-up Lever Hinge Stud Set Screw
202401	10247	Take-up Lever Oiling Felt
200132E	10247	" " " " Screw...
244007	10247	Tension Disc (back)
244008	10247	" " (front)
202404	10247	" Release Plunger
202405	10247	" " Washer
202407	10881	" Spring
200625F	10247	" Stud with 204925
200061c	13389	" " Set Screw
204925	10668	" " Washer
201572B	10881	" Thumb Nut
202409	10252	Tension complete, Nos. 200625F, 201572B, 202405, 202407, 202410, 244007 and 244008
202410	10252	Thread Controller Spring
202411	10252	" " " Stop
200432E	10247	" " " " Screw
202413	10252	" Guide
202414	10252	" "
202415	10252	" "
202417	10252	" "
200582u	10252	" " Screw
200355u	10252	" " Set Screw
200368u	10668	" " " "
202091	10252	" Retainer Sleeve
202092	10252	" " Spring
204058	10252	" " Stud
200368u	10668	" " " Set Screw
204059	10668	Thread Retainer complete, Nos. 202091, 202092 and 204058

No.	Plate	Name
207076	13389	Throat Plate, 50 needle hole, for needle sizes 14 and 15, with 202534, 202619 and two 200583u..
202534	10668	Throat Plate Bobbin Case Stop
202619	10668	" " " " "
		Position Pin
200583u	10668	Throat Plate Bobbin Case Stop Screw
200577u	10245	Throat Plate Screw (2)

ACCESSORIES

No.	Plate	Name
200157R	13361	Attachment Screw
202265	11671	Bobbin (5)
*225482		" Case Screw Driver Blade ...
*225483		" " " " Handle ..
225497	12153	Bobbin Case Screw Driver com- plete, Nos. 225482 and 225483 ..
135 x 5		Needles, three each, sizes 14 and 16
228212		Drip Pan (short) with four 1 in. wire nails
41400	12153	Machine Rest Pin (wood)
120342	12153	Oiler (copper plated) with 120343
120343	12153	" Spout, 3½ in. long
*225484		Screw Driver Blade
*225485		" " Handle
225498	12153	Screw Driver complete (7¼ in. long), Nos. 225484 and 225485 ..
225487	13361	Roller Presser Hinge Screw Nut Wrench
225554	12153	Wrench (steel)
12361	13390	Machine Hinge Connection (2) ...

BOBBIN WINDER

Swing Automatic, Right Hand

225453	10884	Frame with 202277 and 225438
225454	10884	" Hinge Pin
202277		" Oil Packing (wick)
225438	10884	" " Well Cap
225455	10884	" Spring
225456	10884	" " Plunger
202473	10885	Pulley with 200380c
200380c	13389	" Set Screw
225381	10884	Spindle
225444	10884	Stop Latch
200056E	10884	" " Screw
225458	10884	" " Thumb Lever
225459	10884	" " " " Hinge Stud
225459	10884	" " " " Joint Stud
202478	10884	" " Trip Lever
200299u	10884	" " " " Hinge Screw

No.	Plate	Name
225461	10881	Tension Bracket with 201499a
200082b	10881	" " Screw
228026	10884	" " Washer
2102	10881	" Disc
202407	10881	" Spring
201499a	10881	" Stud
201572a	10881	" " Thumb Nut
225462	10881	Bobbin Winder Tension Bracket complete, Nos. 201572a, 202407, 225461 and two 2102
225433	10885	Bobbin Winder and Tension Bracket Base
225382	10885	Universal Bobbin Winder complete, Nos. 200056e, 200082b, 200299a, 202473, 202478, 225381, 225433, 225444, 225453 to 225456, 225458, 225462, 228026, two each 225459 and wood screws $\frac{3}{4}$ in., No. 12, R.H.B.

KNEE LIFTER

2763	13395	Rock Shaft
228278	13395	" " Hanger (back) with 356c
228279	-----	Rock Shaft Hanger 228278 with 202452 and 228282
228280	13395	Rock Shaft Hanger (front) with two 356c
228281	-----	Rock Shaft Hanger 228280 with 202452 and 228282
228282	13395	Rock Shaft Hanger Bracket with two wood screws 1 in., No. 10 ..
202452	13361	Rock Shaft Hanger Hinge Pin
202455	13395	" " Knee Arm
356c	-----	" " " " Set Screw ..
228284	13395	" " " Plate with 356c ..
356c	-----	" " " " Set Screw ..
228283	13395	" " Lifting Lever with two 356c
227728	13395	Rock Shaft Lifting Lever Rod with 227729
227729	-----	Rock Shaft Lifting Lever Rod Cap
356c	-----	" " " " " " Set Screw
356c	-----	Rock Shaft Lifting Lever Set Screw
356c	-----	" " Set Screw

No.	Plate	Name
228285	13395	Knee Lifter Rock Shaft complete, Nos. 2763, 202455, 227728, 228279, 228281, 228283 and 228284
(Other Knee Lifter parts are listed with parts of machine head.)		

FEED DOGS

202283	13362	Feed Dog, for shoe lining, for 202819
202285	13362	" " " leather work, for 202820 and 206798
202813	13362	Feed Dog, for 202820 and 206798 ..
203138	13362	" " " 202820 and 206798 ..
207051	13362	" " " shoe lining, for 202819
207052	13362	" " " " " " 202819

ROLLER PRESSERS

201924	13361	Roller Presser, $\frac{3}{8}$ in. diam., $\frac{3}{16}$ in. face (coarse), with 200551c and 201534a
201906	13389	Roller Presser, $1\frac{1}{8}$ in. diam., $\frac{3}{16}$ in. face (fine), with 200548c and 201534a
202839	13389	Roller Presser Arm
204567	-----	" " " 202839 with 201906
208497	13389	Roller Presser Arm
206911	-----	" " " 208497 with 201924
202560	13389	Roller Presser Arm Bracket (swing)
202838	-----	" " " " 202560 with 200096b and 204567
206917	-----	Roller Presser Arm Bracket 202560 with 200096b and 206911
200675F	13361	Roller Presser Arm Bracket Position Screw Stud
202558	13389	Roller Presser Arm Bracket Spring
202559	13389	" " " " " "
Stop		

No.	Plate	Name
200141r	10248	Roller Presser Arm Bracket Spring Stop Screw
200096d	13361	Roller Presser Arm Screw
202557	13391	Roller Presser Bar
200548c	13361	" " Hinge Screw
200551c	13361	" " " " "
201534u	13389	" " " " Nut
206918	---	Roller Presser and Bar complete, Nos. 200675e, 202557 to 202559, 206917 and two 200141r
202840	---	Roller Presser and Bar complete, Nos. 200675e, 202557 to 202559, 202838 and two 200141r

THROAT PLATES

202819	13362	Throat Plate, 50 needle hole, for needle sizes 14 and 15, with 202534, 202619 and two 200583u, for 202283, 207051 and 207052 ...
202820	13362	Throat Plate, 50 needle hole, for needle sizes 14 and 15, with 202534, 202619 and two 200583u, for 202285, 202813 and 203138 ...
206798	13362	Throat Plate, 46 needle hole, for needle sizes 16 and 18, with 202534, 202619 and two 200583u, for 202285, 202813 and 203138 ...

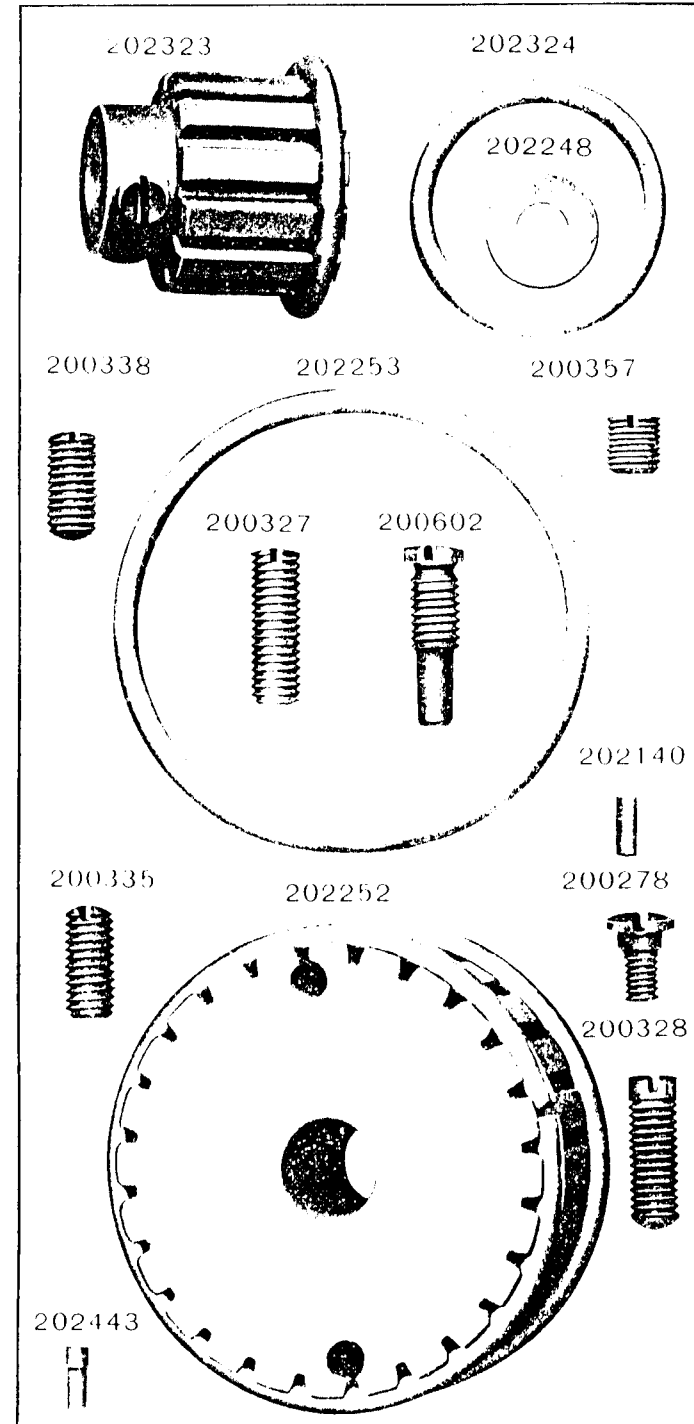


PLATE 10245—FULL SIZE

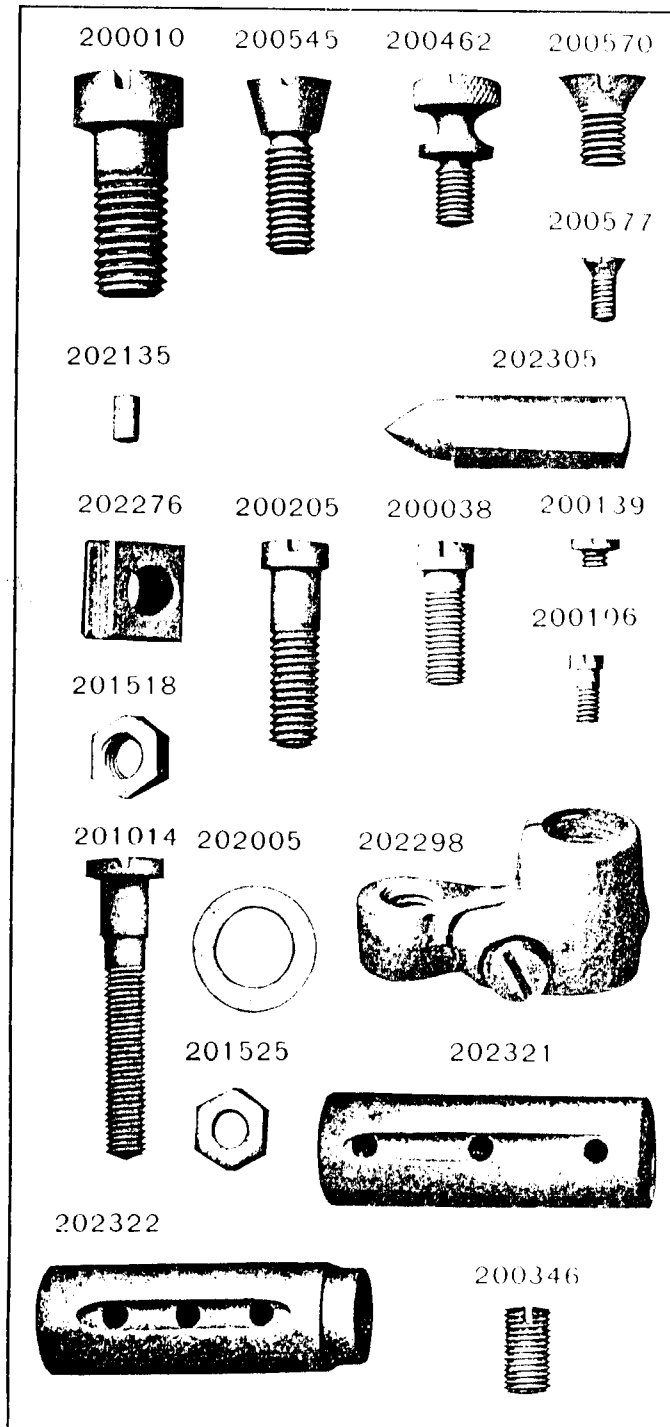


PLATE 10246—FULL SIZE

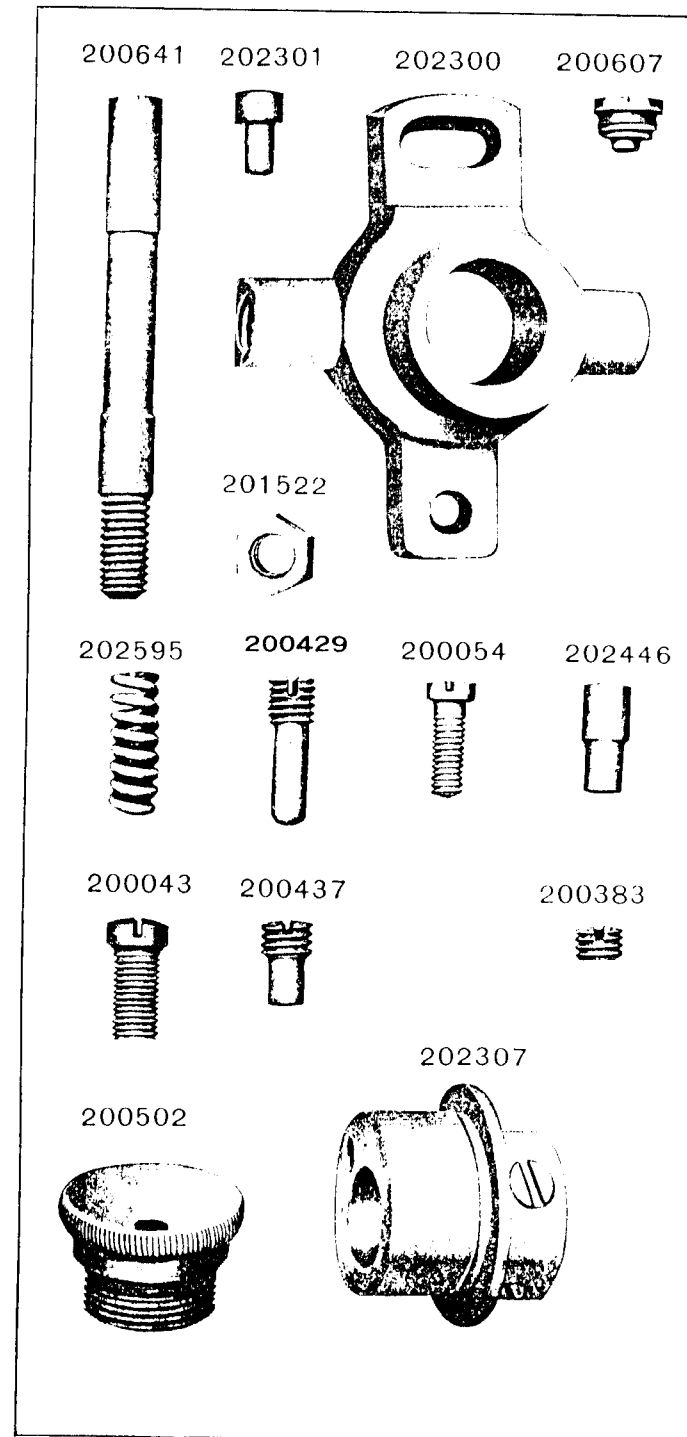


PLATE 10247—FULL SIZE

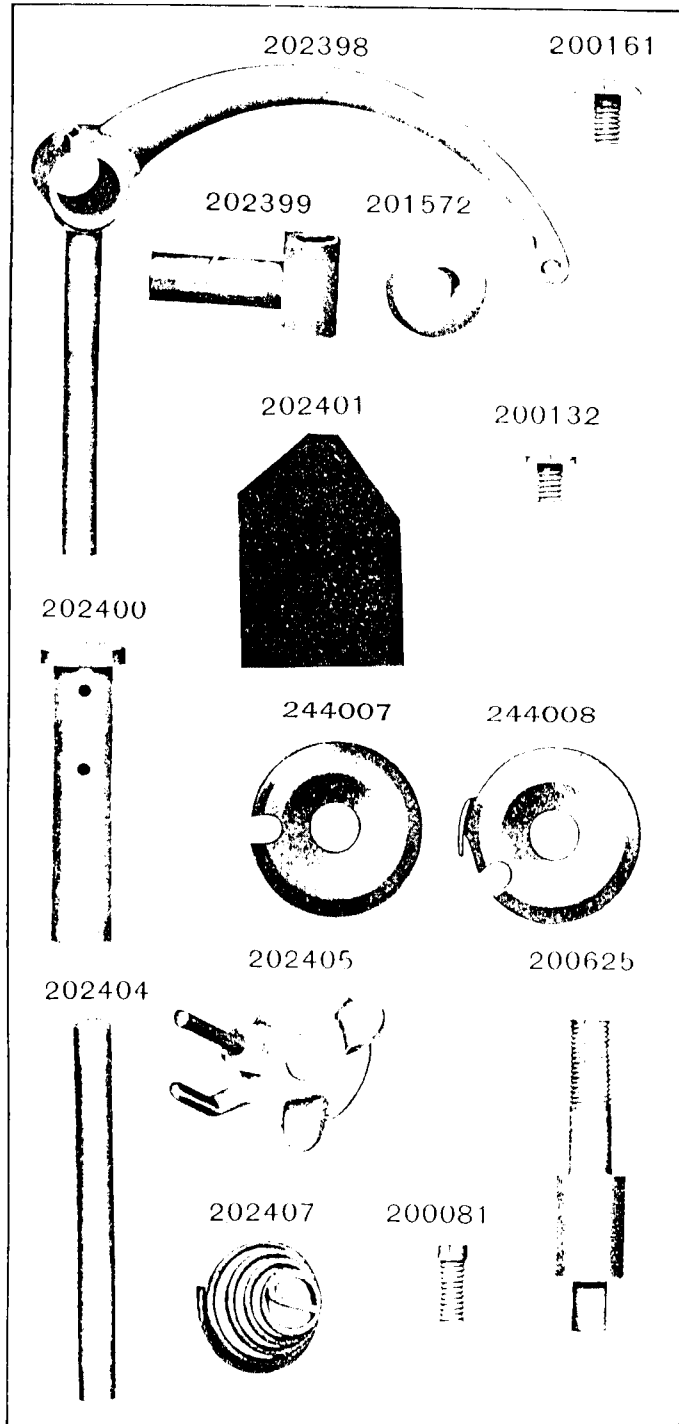


PLATE 10248—FULL SIZE

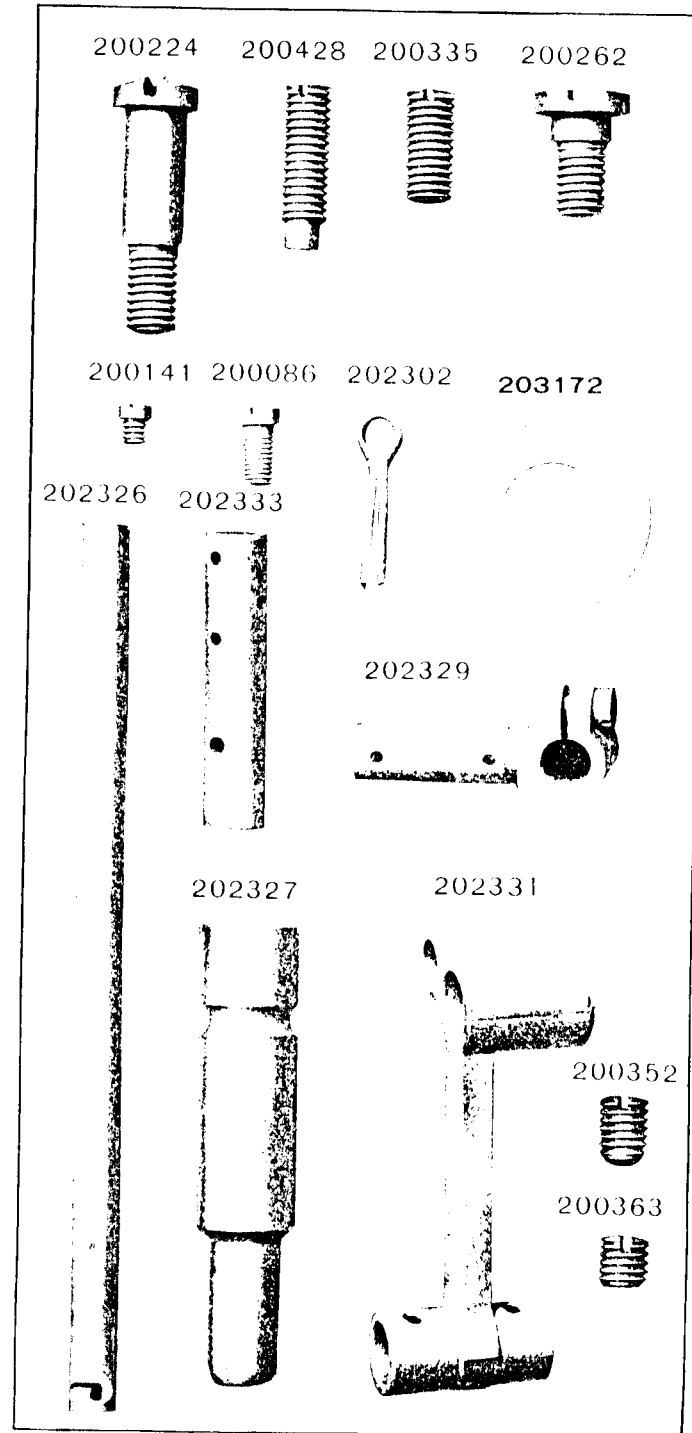


PLATE 10249--FULL SIZE

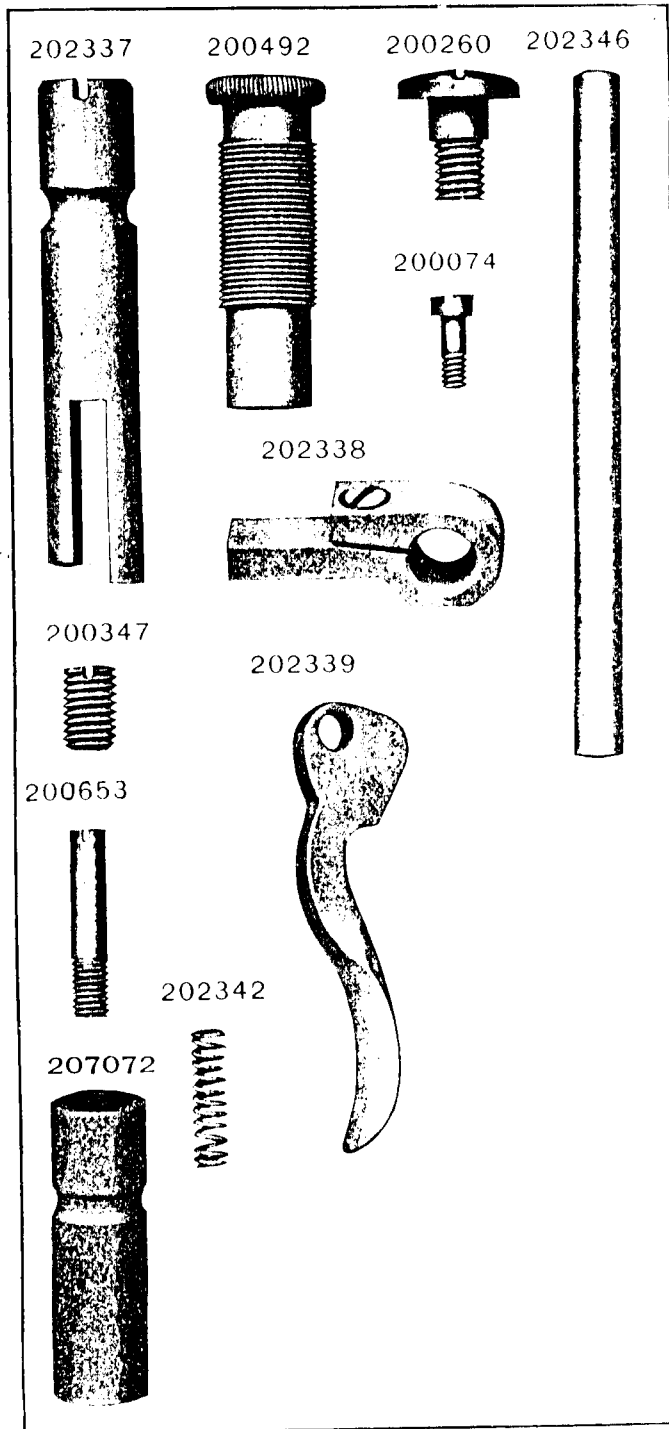


PLATE 10252--FULL SIZE

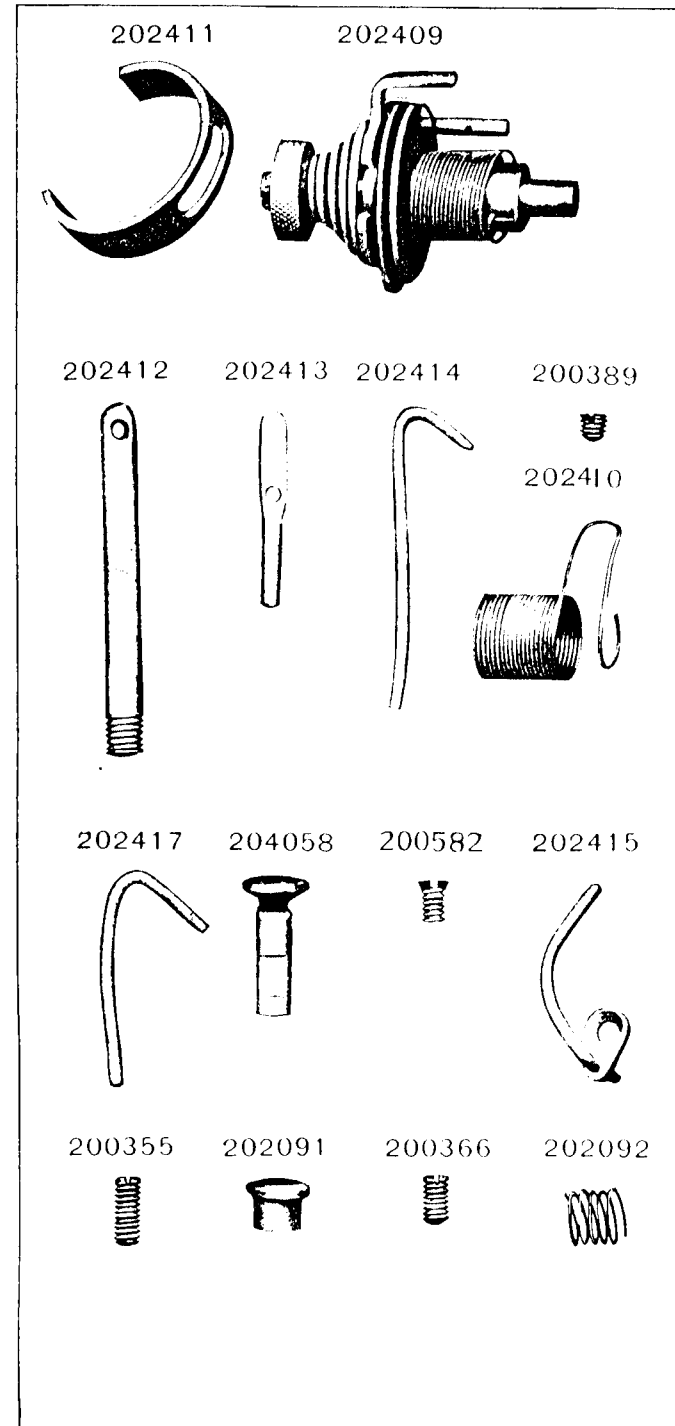


PLATE 10667 - ONE - HALF SIZE

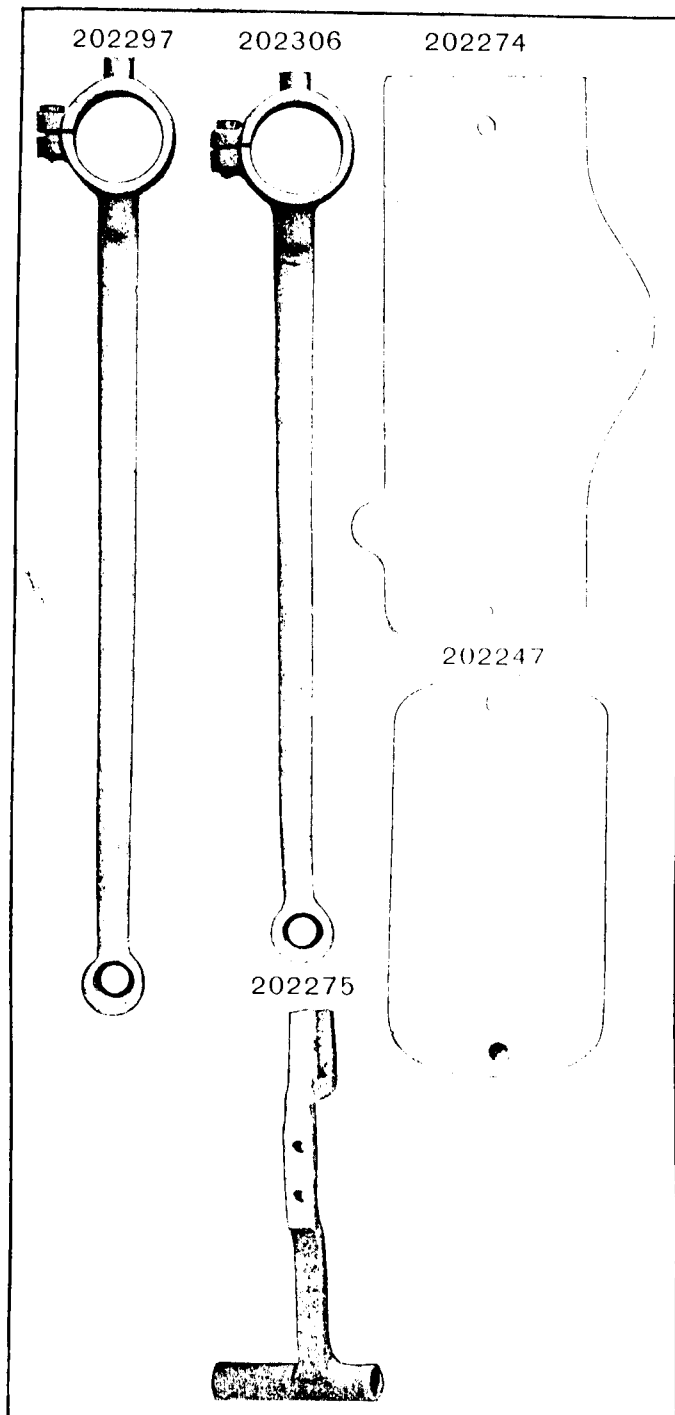


PLATE 10668 - FULL SIZE

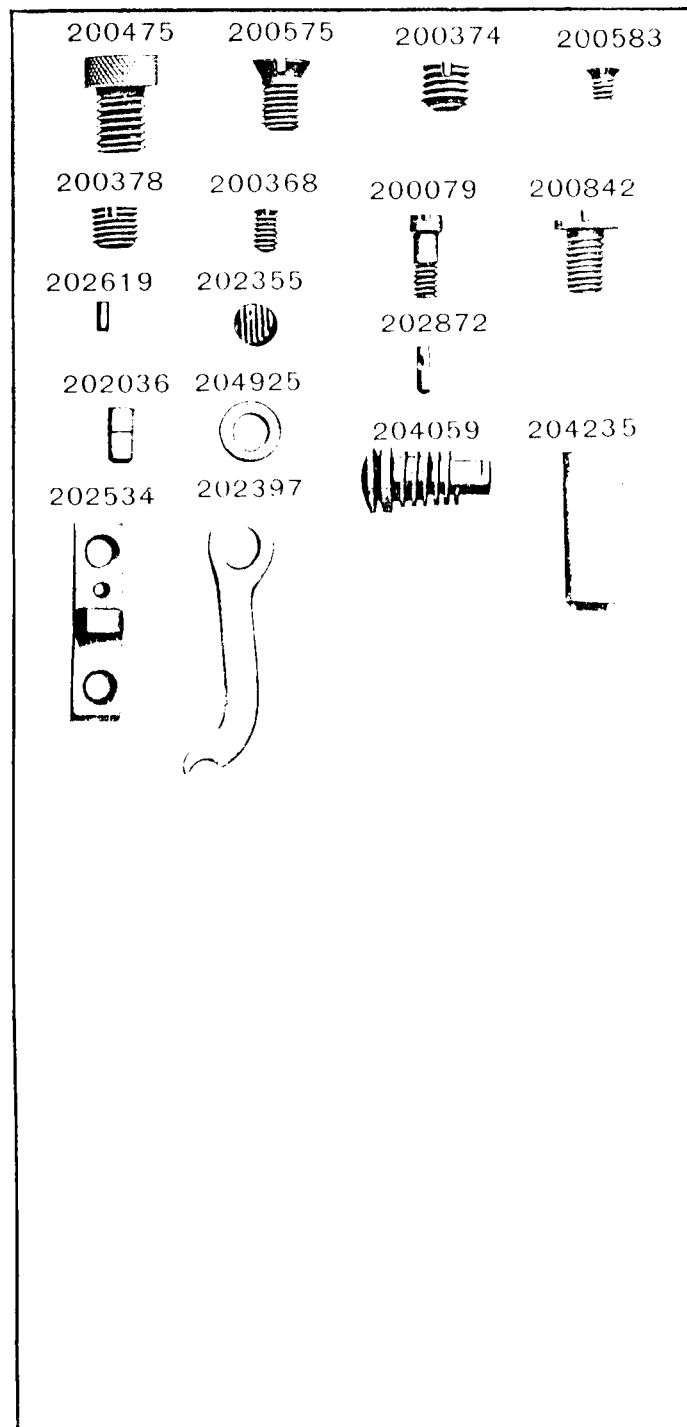


PLATE 10881—FULL SIZE

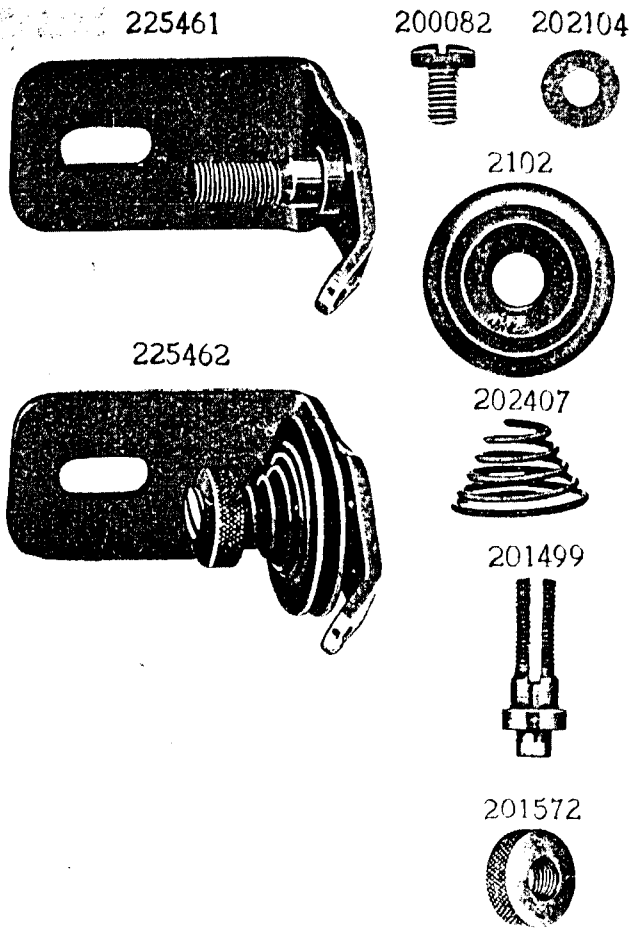


PLATE 10884—FULL SIZE

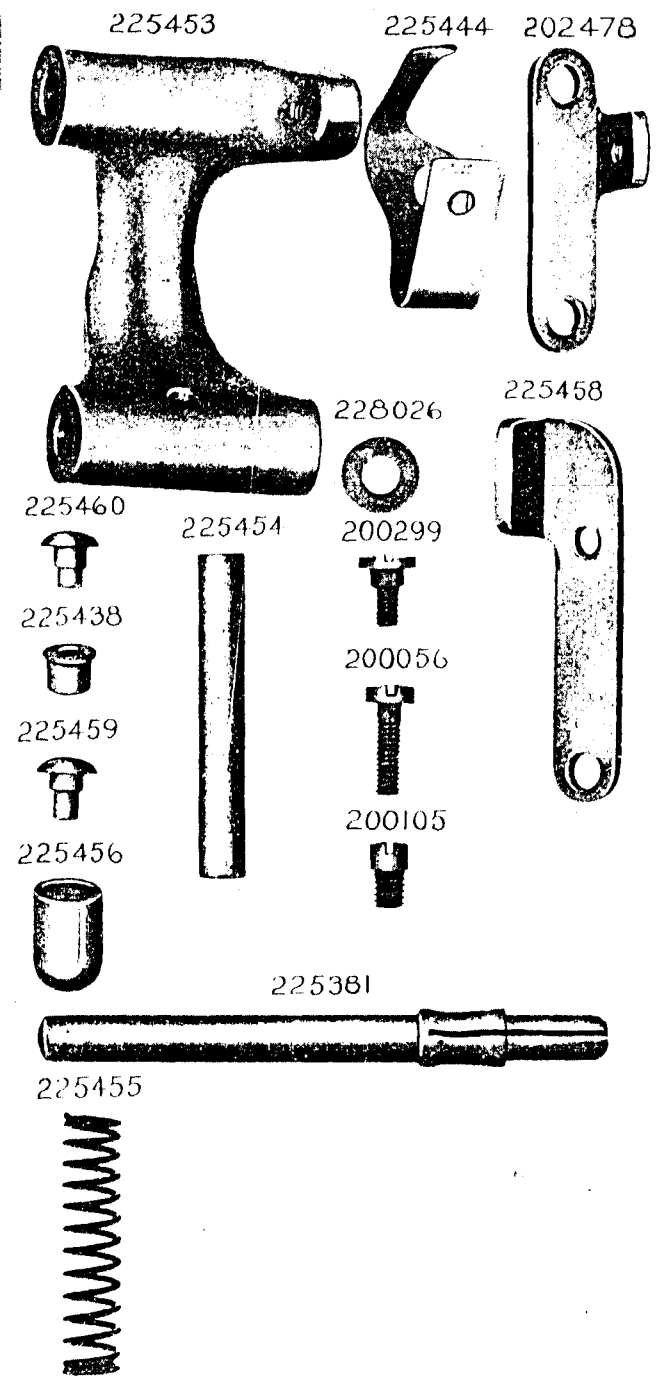


PLATE 10885—ONE-FOURTH SIZE

225433



202473



225382

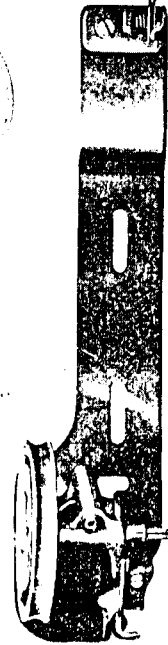


PLATE 11671—FULL SIZE

200596



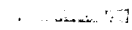
200594



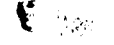
200984



206775



202267



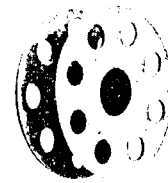
202269



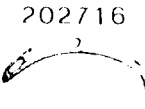
202270



202265



202056



202716

200614



202533



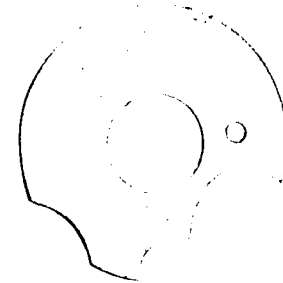
200346



200145



206751



202321



202322

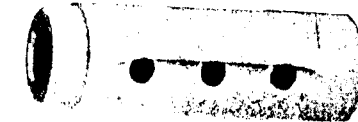


PLATE 12153—ONE-HALF SIZE

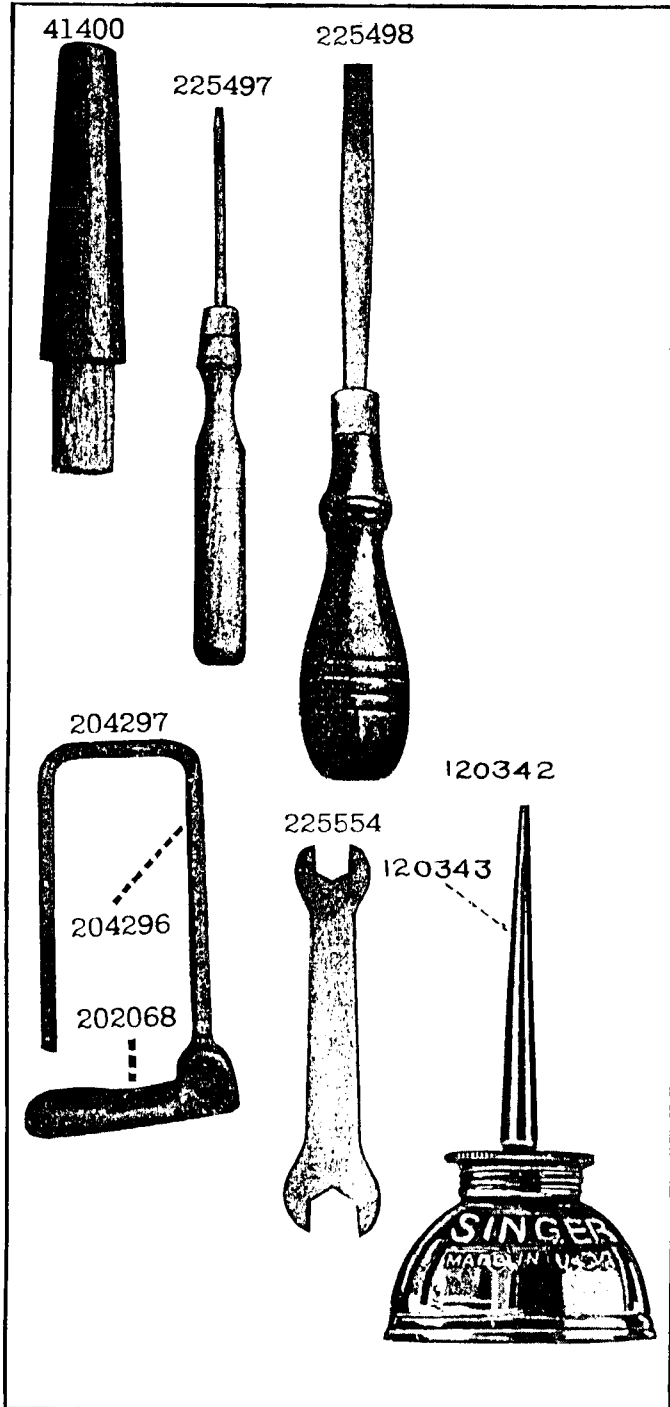


PLATE 13351—ONE-HALF SIZE

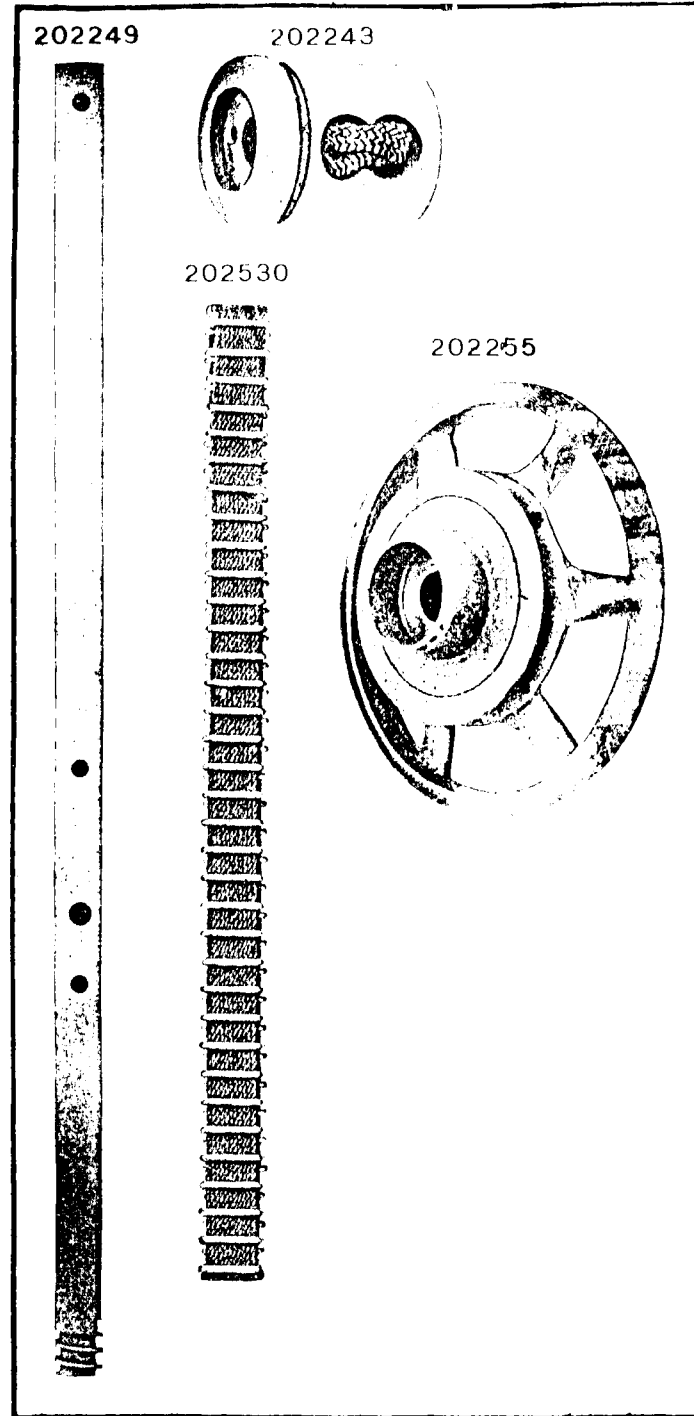


PLATE 13361-FULL SIZE

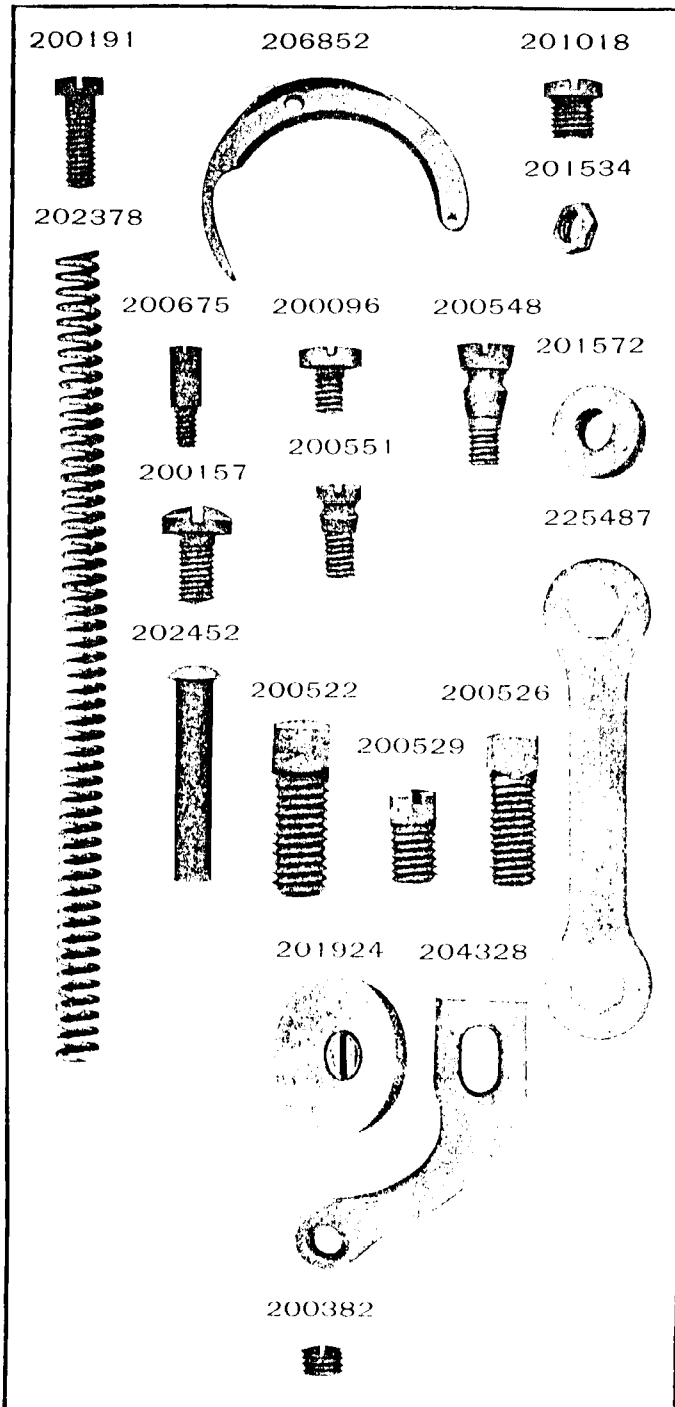


PLATE 13362-FULL SIZE

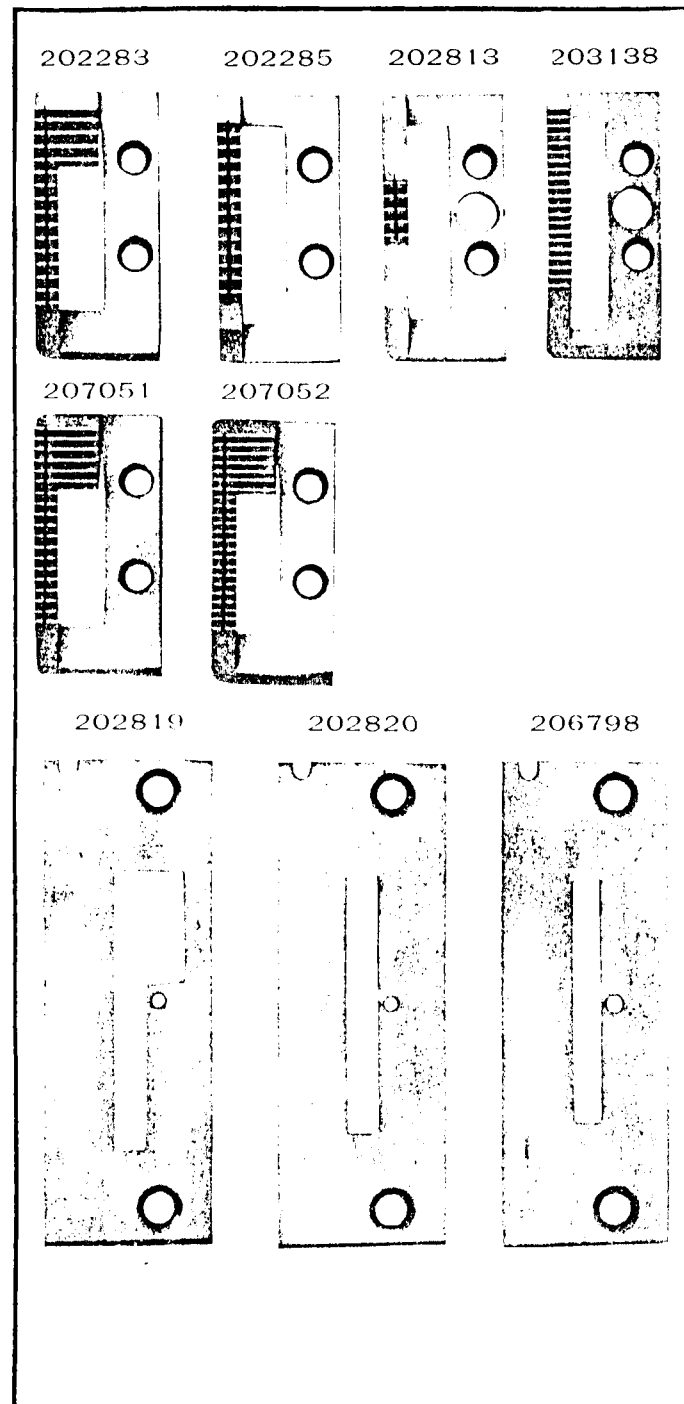


PLATE 13389—FULL SIZE

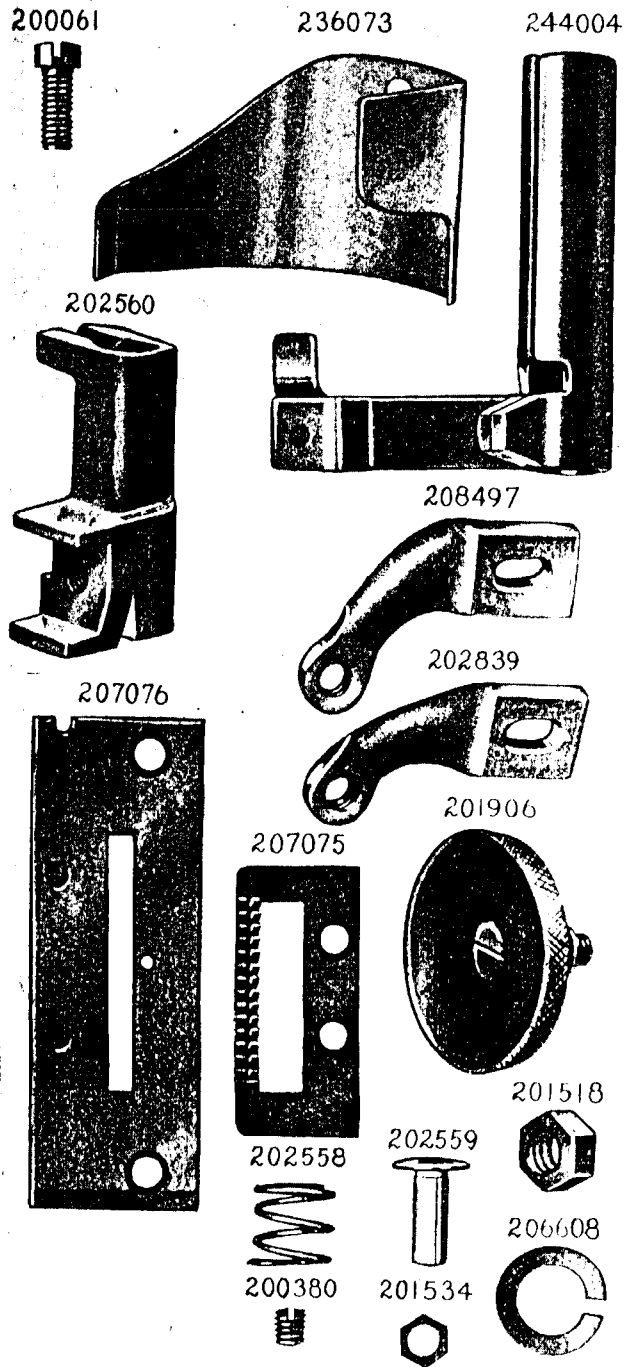


PLATE 13390—ONE-HALF SIZE

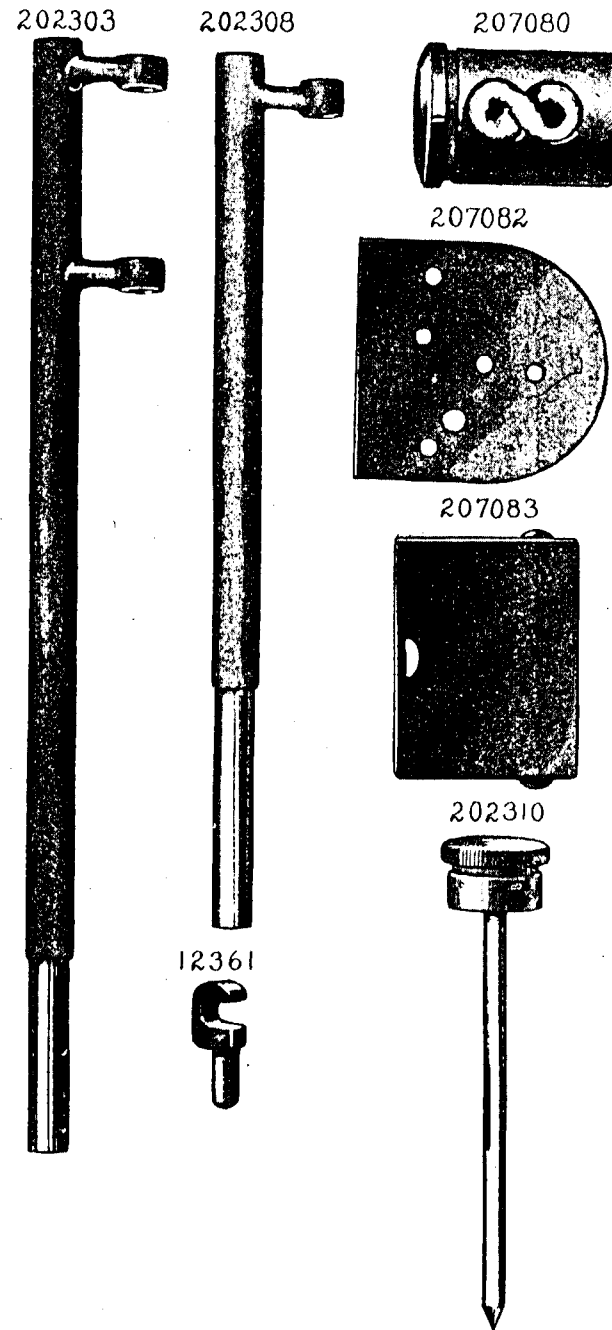


PLATE 13391—ONE-HALF SIZE

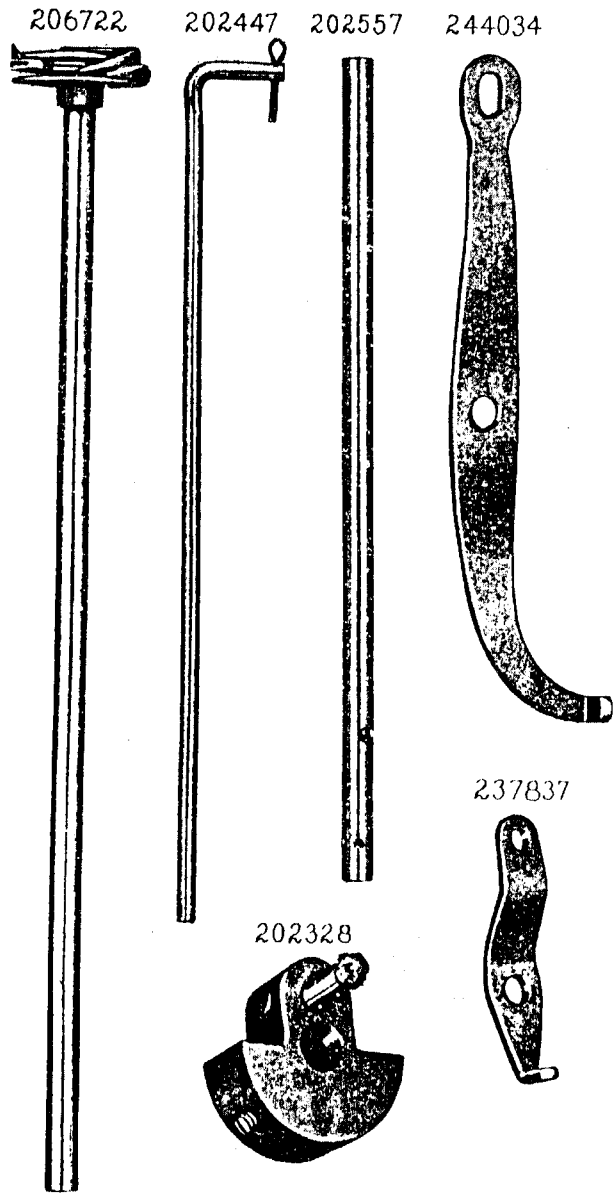


PLATE 13395—ONE-FOURTH SIZE

