

SINGER
112W146

Form 3115w
(757)
Printed in U. S. A.

LIST OF PARTS



SINGER^{**}

MACHINE No. 112w146

THE SINGER MANUFACTURING COMPANY

INSTRUCTIONS FOR OILING

To insure easy running and prevent unnecessary wear of the parts which are in movable contact, the machine requires oiling, and when in continuous use, "TYPE B" or "TYPE D" OIL, sold by Singer Sewing Machine Company, should be applied at least twice each day to all oiling points.

"TYPE D" OIL should be used when an oil is desired which will produce a minimum of stain on fabrics, even after a long period of storage.

The small felt pads on the side of each bobbin case should be kept wet with oil to lubricate the hook races.

INDEX

	Page
Accessories.....	16
Attachment Slide Plates.....	18
Bobbin Winder.....	16
Feed Dogs.....	18
Foot Lifter.....	19
Knee Lifter.....	17
Machine No. 112w146.....	5
Miscellaneous Parts.....	20
Needle Holders.....	19
Numerical List of Parts.....	21
Thread Unwinder.....	18
Throat Plates.....	20

INSTRUCTIONS FOR ORDERING

5

In ordering from this list, use **ONLY** the **PART** number in the **FIRST** column.

The number stamped on a Sewing Machine Part is the number of the Single Part only, except when the part includes Set Screws, Clamping Screws, Studs and Rollers Spun on, Small Wires riveted, or Parts soldered together, etc., which it is necessary to furnish in combination.

Every combination of parts sent out has its specific number which, although not stamped on Parts (except in above case), must be used when ordering the combination.

Each number always indicates the **SAME PART** in whatever list it appears, or for whatever Machine.

The letters after some of the numbers indicate the style of finish only, as follows:

- A—Hardened, Polished, Nickel Plated and Buffed.
- AL—Heat Treated for Toughness.
- ALX—Heat Treated for Toughness and Black Oxide.
- B—Polished, Nickel Plated and Buffed.
- C—Hardened only.
- D—Polished only.
- E—Soft, Not polished.
- F—Hardened and Polished.
- J—Nickel Plated only.
- R—Phosphate Coating Formed on Surface of Iron or Steel.
- X—Black Oxide, for Iron and Steel.
- XC—Hardened and Black Oxide, for Iron and Steel.
- Y—Black Nickel Plated only.
- Z—Chromium Plated.

These letters **MUST BE USED** when they appear in the list and **AFTER** the number, as in the list.

In this series

1 to 1500, 200001 to 201500 and 350001 to 351500 are Screw Numbers.

1501 to 1800, 201501 to 201800 and 351501 to 351800 are Nut Numbers.

1801 to 2000, 201801 to 202000 and 351801 to 352000 are Roller Numbers.

2001 to 50000 and 202001 to 350000 are Numbers of Machine Parts.

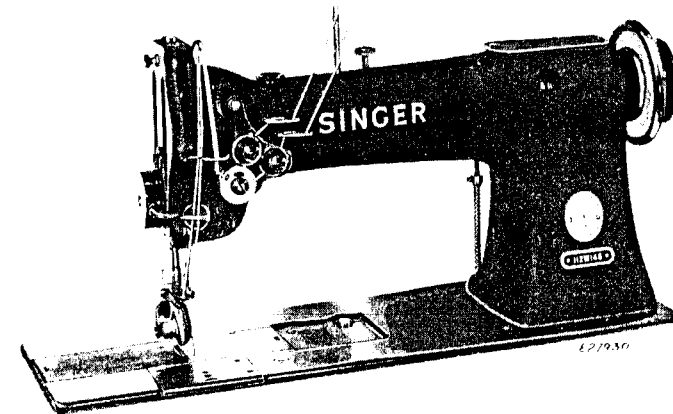
The figures in the second column refer only to the plate in which the illustration of the part is shown and are **NOT TO BE USED** in ordering.

Two or more numbers over a cut indicate that the difference between such parts is not visible in an illustration.

Parts marked with an asterisk (*) are furnished only when repairs are made at the factory.

LIST OF PARTS COMPLETE

FOR



MACHINE No. 112w146

TWO NEEDLE. HIGH SPEED.

BALL BEARING. DROP FEED.

SAFETY CLUTCH.

BALL BEARING ROLLER PRESSER.

FOR VAMPING, FOXING, SPACE STITCHING,
TIPPING, Etc.

IN GAUGES FROM 1/32 TO 1/4 INCH.

No.	Plate	Name
*248501	----	Arm with 202135
202247	17866	Arm Cap
200278X	17866	Arm Cap Screw
202248	17866	Arm Cap Screw Washer
204235	17867	Arm Position Pin (2)
200004E	17867	Arm Screw (3)
202005	17867	Arm Screw Washer (3)
248440	17866	Arm Shaft with 224392 and 350431E

No.	Plate	Name
249440	17866	Arm Shaft Ball Bearing
*240054	17866	Arm Shaft Ball Bearing Collar with two 200378C
240055	17866	Arm Shaft Ball Bearing Collar 240054 with 249440
200378C	17866	Arm Shaft Ball Bearing Collar Set Screw
*240056	17866	Arm Shaft Ball Bearing Retaining Washer
236699	17866	Arm Shaft Bushing (back, ball bearing) complete, Nos. 236698, 240055 and 240056
*236698	17866	Arm Shaft Bushing (back)
200071E	17866	Arm Shaft Bushing (back) Screw (3)
263096	17866	Arm Shaft Bushing (front) with 202423
202423	17866	Arm Shaft Bushing (front) Oil Packing (wick)
200502X	17866	Arm Shaft Bushing (front) Oil Packing Thumb Screw
204329	17866	Arm Shaft Bushing (front) Oil Pad
200341C	17866	Arm Shaft Bushing (front) Set Screw
224195	17867	Arm Shaft Connection Belt (reinforced neoprene)
248477	17867	Arm Shaft Connection Belt Pulley with 200327C, 200358C, 200430C and two 202253
200430C	17867	Arm Shaft Connection Belt Pulley Position Screw
200358C	17867	Arm Shaft Connection Belt Pulley Position Screw Check Screw
200327C	17867	Arm Shaft Connection Belt Pulley Set Screw
202253	17867	Arm Shaft Connection Belt Pulley Spring Flange
224139	17868	Arm Shaft Connection Belt Timing Plate
200164X	17868	Arm Shaft Connection Belt Timing Plate Screw (2)
224392	17866	Arm Shaft Oil Packing (wick)
350431E	17866	Arm Shaft Oil Packing Stop Screw
224144	17869	Attachment Slide Plate with 213479 and 236061
236061	17869	Attachment Slide Plate Friction Slide
213479	17869	Attachment Slide Plate Friction Slide Spring
200386C	17869	Attachment Slide Plate Lock Screw
*248403	-----	Bed with 203376
54897	17814	Bed Oil Cup (3)
223852	17869	Bed Slide (back)
223811	17869	Bed Slide (back) Stop
223812	17869	Bed Slide (back) Stop Spring
223853	17869	Bed Slide (front) for use with Throat Plates in gauges from 1/32 to 1/4 inch
203470	17803	Bobbin
*248459	-----	Bobbin Case (chromium plated)
203648	17803	Bobbin Case Latch
*202056	-----	Bobbin Case Latch Pin
203473	17803	Bobbin Case Latch Plunger
203474	17803	Bobbin Case Latch Spring
241674	17803	Bobbin Case Oiling Felt
241675	17803	Bobbin Case Oiling Felt Retainer
350405C	17803	Bobbin Case Oiling Felt Retainer Screw
248404	17804	Bobbin Case Opener

No.	Plate	Name
224005	17804	Bobbin Case Opener Lever with 201349C, 201542C and 203101
201349C	17804	Bobbin Case Opener Lever Driving Screw Stud
201542C	17804	Bobbin Case Opener Lever Driving Screw Stud Nut
203101	17804	Bobbin Case Opener Lever Driving Screw Stud Oil Packing (wick)
265088	17804	Bobbin Case Opener Lever Hinge Stud with 202277
202277	17804	Bobbin Case Opener Lever Hinge Stud Oil Packing (wick)
201246C	17804	Bobbin Case Opener Lever Hinge Stud Set Screw
248405	17804	Bobbin Case Opener Lever Link
200118D	17804	Bobbin Case Opener Screw
236083	17803	Bobbin Case Tension Spring
201016C	17803	Bobbin Case Tension Spring Regulating Screw
200594C	17803	Bobbin Case Tension Spring Screw
203216	17803	Bobbin Case Washer (cloth)
248460	17803	Bobbin Case complete, Nos. 200594C, 201016C, 202056, 203216, 203473, 203474, 203648, 236083, 241674, 241675, 248459 and two 350405C
241753	17869	Face Plate with 201650X and 350432XC
202135	17869	Face Plate Position Pin
200462X	17869	Face Plate Thumb Screw
248406	17814	Feed Bar with 200336E and 201535E
248407	17814	Feed Bar 248406 with 200040AL, 224052 and 225837
350393C	17814	Feed Bar Hinge Screw (driving)
201518E	17814	Feed Bar Hinge Screw Nut
212103	17874	Feed Dog, for 236601
212117	17874	Feed Dog, for 236612
212151	17874	Feed Dog, for 236603 and 236604
212148	17874	Feed Dog, for 236605
212154	17874	Feed Dog, for 236607
211805	17874	Feed Dog, for 236609
200106E	17874	Feed Dog Screw (2)
200336E	17814	Feed Dog Support Screw
201535E	17814	Feed Dog Support Screw Nut
248409	17868	Feed Driving Crank (eccentric end) with 248410 and 248411
248408	17814	Feed Driving Crank (rock shaft end) with 200030X
248410	17868	Feed Driving Crank Oiling Felt
248411	17868	Feed Driving Crank Oiling Felt Staple
248412	17814	Feed Driving Crank Oil Leader (brass)
200030X	17814	Feed Driving Crank Pinch Screw
248413	17868	Feed Driving Eccentric
248414	17868	Feed Driving Eccentric Adjusting Disc
248415	17868	Feed Driving Eccentric Adjusting Disc Spring
248416	17868	Feed Driving Eccentric Adjusting Disc Spring Collar with two 200382C
200382C	17868	Feed Driving Eccentric Adjusting Disc Spring Collar Set Screw

No.	Plate	Name
248417	17868	Feed Driving Eccentric Friction Gib
350578XC	17868	Feed Driving Eccentric Friction Gib Adjusting Screw
350562XC	17868	Feed Driving Eccentric Friction Gib Adjusting Screw Set Screw
248471	17868	Feed Driving Eccentric Friction Gib Adjusting Screw Set Screw Packing (fibre)
248476	17868	Feed Driving Flange with 200382C, 201220C, two each 248471, 350562XC and 350578XC
201220C	17868	Feed Driving Flange Position Screw
200382C	17868	Feed Driving Flange Set Screw
248502	17814	Feed Driving Rock Shaft
248503	17814	Feed Driving Rock Shaft 248502 with 201518E, 248407 and 350393C
248420	17814	Feed Driving Rock Shaft Bushing (left) (split)
200347AL	17814	Feed Driving Rock Shaft Bushing (left) Pinch Screw
201007C	17814	Feed Driving Rock Shaft Bushing (left) Pinch Screw Set Screw
244084	17814	Feed Driving Rock Shaft Bushing (left) Pinch Screw Set Screw Packing (fibre)
248421	17814	Feed Driving Rock Shaft Bushing (right) (split)
200327C	17814	Feed Driving Rock Shaft Bushing (right) Pinch Screw
200347AL	17814	Feed Driving Rock Shaft Bushing (right) Pinch Screw Set Screw
244084	17814	Feed Driving Rock Shaft Bushing (right) Pinch Screw Set Screw Packing (fibre)
202625	17814	Feed Driving Rock Shaft Stop Collar with two 200383C (2)
200383C	17814	Feed Driving Rock Shaft Stop Collar Set Screw
248449	17867	Feed Indicating Disc with 200958C
200958C	17867	Feed Indicating Disc Set Screw
224154	17868	Feed Lifting Eccentric with 201220C
224052	17814	Feed Lifting Eccentric Fork with 200173D and 223655
200040AL	17814	Feed Lifting Eccentric Fork Screw
225837	17814	Feed Lifting Eccentric Fork Screw Washer
223655	17814	Feed Lifting Eccentric Oiling Felt
200173D	17814	Feed Lifting Eccentric Oiling Felt Screw
201220C	17868	Feed Lifting Eccentric Set Screw
248422	17868	Feed Regulating Stud
248423	17868	Feed Regulating Stud Cotter Pin
248424	17868	Feed Regulating Stud Socket
248425	17868	Feed Regulating Stud Spring
248447	17868	Feed Regulating Stud complete, Nos. 248422 to 248425
*248444	17803	Hook (sewing)
248445	17803	Hook 248444 with 203525, 224025, two each 200590X and 201253F

No.	Plate	Name
248463	17803	Hook and Bobbin Case complete, Nos. 248445 and 248460
249365	17804	Hook Ball Bearing
350394E	17804	Hook Ball Bearing Adjusting Screw
200403C	17804	Hook Ball Bearing Adjusting Screw Set Screw
204479	17804	Hook Ball Bearing Adjusting Screw Set Screw Packing (brass)
248430	17804	Hook Ball Bearing Washer (felt)
248429	17804	Hook Ball Bearing Washer (steel)
223867	17868	Hook Driving Gear (spiral) with 200362C and 201222C (2)
201222C	17868	Hook Driving Gear Position Screw
200362C	17868	Hook Driving Gear Set Screw
248431	17804	Hook Driving Pinion (spiral) with two 200382C
200382C	17804	Hook Driving Pinion Set Screw
248432	17868	Hook Driving Shaft
249440	17868	Hook Driving Shaft Ball Bearing
*236695	17868	Hook Driving Shaft Ball Bearing Collar with 200378C and 201220C
236696	17868	Hook Driving Shaft Ball Bearing Collar 236695 with 249440
201220C	17868	Hook Driving Shaft Ball Bearing Collar Position Screw
200378C	17868	Hook Driving Shaft Ball Bearing Collar Set Screw
240561	17868	Hook Driving Shaft Ball Bearing Re- taining Washer
200134F	17868	Hook Driving Shaft Ball Bearing Re- taining Washer Screw
240562	17868	Hook Driving Shaft Bushing (back) with three 200134F
236697	17868	Hook Driving Shaft Bushing (back, ball bearing) complete, Nos. 236696, 240561 and 240562
200335C	17868	Hook Driving Shaft Bushing (back) Set Screw
224112	17868	Hook Driving Shaft Connection Belt Pulley with 202253 and two 201254C
201254C	17868	Hook Driving Shaft Connection Belt Pulley Set Screw
202253	17868	Hook Driving Shaft Connection Belt Pulley Spring Flange
203525	17803	Hook Gib
201253F	17803	Hook Gib Screw
248433	17805	Hook Saddle (left) with 200009E and 201246C
248434	17804	Hook Saddle (right) with 200009E and 201246C
223680	17868	Hook Saddle Bearing (left)
200327C	17868	Hook Saddle Bearing (left) Set Screw
223681	17868	Hook Saddle Bearing (right)
200335C	17868	Hook Saddle Bearing (right) Set Screw
248435	17804	Hook Saddle Oil Pad (felt)
200009E	17804	Hook Saddle Pinch Screw
200006E	17804	Hook Saddle Screw (2)
225585	17804	Hook Saddle Screw Washer (2)

No.	Plate	Name
248438	17805	Hook Saddle (left) complete, Nos. 200118D, 200403C, 204479, 224005, 248404, 248405, 248430, 248431, 248433, 248463, 265088, 350394E, two each 248429, 249365 and four 248435
248439	17804	Hook Saddle (right) complete, Nos. 200118D, 200403C, 204479, 224005, 248404, 248405, 248430, 248431, 248434, 248463, 265088, 350394E, two each 248429, 249365 and four 248435
224025	17803	Hook Washer
200590X	17803	Hook Washer Screw
240067	17869	Knee Lifter Connection Lever
200262X	17869	Knee Lifter Connection Lever Hinge Screw
240564	17869	Knee Lifter Connection Lever Lifting Rod
206628	17869	Knee Lifter Connection Lever Lifting Rod Spring
227227	17869	Knee Lifter Connection Lever Lifting Rod Spring Collar with 200113F
200113F	17869	Knee Lifter Connection Lever Lifting Rod Spring Collar Set Screw
240068	17869	Knee Lifter Lifting Lever
200262X	17869	Knee Lifter Lifting Lever Hinge Screw
248474	17866	Machine Pulley (disc) (aluminum alloy casting) "V" belt groove (outside diam. of belt groove 2.9 in.) with 350540C and 350541C
350419X	17866	Machine Pulley Adjusting Screw
350540C	17866	Machine Pulley Position Screw
350541C	17866	Machine Pulley Set Screw
223686	17870	Needle Bar
235871	17870	Needle Bar Bushing (lower)
235872	17870	Needle Bar Bushing (upper)
200352AL	17870	Needle Bar Bushing Set Screw (2)
202552	17870	Needle Bar Connecting Link
264718	17870	Needle Bar Connecting Link Oil Guard
201183D	17870	Needle Bar Connecting Link Oil Guard Screw
202333	17870	Needle Bar Connecting Link Stud with 202299
202299	17870	Needle Bar Connecting Link Stud Oil Packing (wick)
200374AL	17870	Needle Bar Connecting Link Stud Set Screw
200383C	17870	Needle Bar Connecting Link Stud Set Screw
264714	17870	Needle Bar Connecting Stud with 200072C and 202330
202330	17870	Needle Bar Connecting Stud Oil Packing (wick)
200072C	17870	Needle Bar Connecting Stud Pinch Screw
202692	17870	Needle Bar Crank with 200335C, 200374AL, 200383C, 200428C and 202333
248448	17870	Needle Bar Crank 202692 with 202399, 202400, 202552, 223881 and 264714
203172	17870	Needle Bar Crank Friction Washer

No.	Plate	Name
200428C	17870	Needle Bar Crank Position Screw
200335C	17870	Needle Bar Crank Set Screw
236650	17872	Needle Holder, needles 3/32 in. apart and must be set diagonally, in gauges 1/32, 3/64 and 1/16 in., with 201030AL and two 200141F
236648	17872	Needle Holder, in gauges from 3/32 to 1/4 in., in steps of 1/32 in., with 201030AL and two 200141F
201030AL	17872	Needle Holder Screw
200141F	17872	Needle Set Screw
207072	17870	Presser Bar Bushing (2)
200352AL	17870	Presser Bar Bushing Set Screw (2)
202554	17870	Presser Bar Lifter
200653C	17870	Presser Bar Lifter Hinge Screw
244004	17870	Presser Bar Lifting Releasing Lever Bracket
200260D	17870	Presser Bar Lifting Releasing Lever Bracket Guide Screw
206608	17870	Presser Bar Lifting Releasing Lever Bracket Spring
235901	17870	Presser Bar Position Guide with 200054E
200054E	17870	Presser Bar Position Guide Pinch Screw
207965	17869	Presser Bar Spring (flat)
210949	17870	Presser Bar Spring Bracket with 200086C
200086C	17870	Presser Bar Spring Bracket Pinch Screw
201410F	17869	Presser Bar Spring Regulating Thumb Screw
200948F	17869	Presser Bar Spring Support Screw
201931	17873	Roller Presser, 1-1/4 in. diam., 1/8 in. face (fine) with 1528J, 1766C, 50553C and twenty-four 16232
203426	17873	Roller Presser Arm
203430	17873	Roller Presser Arm 203426 with 201931
235087	17873	Roller Presser Arm Bracket
235088	17873	Roller Presser Arm Bracket Position Collar with 200362C
200117F	17873	Roller Presser Arm Bracket Position Collar Position Screw
200362C	17873	Roller Presser Arm Bracket Position Collar Set Screw
202558	17873	Roller Presser Arm Bracket Spring
229370	17873	Roller Presser Arm Bracket Spring Stop and (back) Needle Guard Holder
229371	17873	Roller Presser Arm Bracket Spring Stop and (back) Needle Guard Holder 229370 with 200350X, 201317F and 226220
200350X	17873	Roller Presser Arm Bracket Spring Stop and (back) Needle Guard Holder Adjusting Screw
200141F	17873	Roller Presser Arm Bracket Spring Stop and (back) Needle Guard Holder Set Screw

No.	Plate	Name
200096D	17873	Roller Presser Arm Screw, for gauges 1/32, 3/64 and 1/16 inch
200082D	17873	Roller Presser Arm Screw, for gauges 3/32 and 1/8 inch
200077D	17873	Roller Presser Arm Screw, for gauges 5/32, 3/16 and 7/32 inch
200064D	17873	Roller Presser Arm Screw, for 1/4 in. gauge
236645	17873	Roller Presser Arm Shim, .024 in. thick
202760	17873	Roller Presser Arm Shim, 1/16 in. thick
229744	17873	Roller Presser Arm Shim, 1/64 in. thick
229745	17873	Roller Presser Arm Shim, 1/32 in. thick
16232	17873	Roller Presser Ball, 3/32 in. diameter
1766C	17873	Roller Presser Ball Cone
204495	17873	Roller Presser Bar
50553C	17873	Roller Presser Hinge Screw
1528J	17873	Roller Presser Hinge Screw Nut
229328	17873	Roller Presser Needle Guard (back) for gauges 1/32, 3/64 and 1/16 inch
235074	17873	Roller Presser Needle Guard (back) in 3/32 in. gauge, for No. 9 needle
229330	17873	Roller Presser Needle Guard (back) in 3/32 in. gauge, for No. 13 needle
235075	17873	Roller Presser Needle Guard (back) in 1/8 in. gauge, for No. 9 needle
229331	17873	Roller Presser Needle Guard (back) in 1/8 in. gauge, for No. 13 needle
235076	17873	Roller Presser Needle Guard (back) in 5/32 in. gauge, for No. 9 needle
229332	17873	Roller Presser Needle Guard (back) in 5/32 in. gauge, for No. 13 needle
229347	17873	Roller Presser Needle Guard (back) in 3/16 in. gauge, with 350061F
229334	17873	Roller Presser Needle Guard (back) in 7/32 in. gauge, with 350061F
229335	17873	Roller Presser Needle Guard (back) in 1/4 in. gauge, with 350061F
201317F	17873	Roller Presser Needle Guard (back) Clamp Screw
226220	17873	Roller Presser Needle Guard (back) Clamp Screw Washer
350061F	17873	Roller Presser Needle Guard (back) Screw
229325	17873	Roller Presser Needle Guard (front) in gauges 1/32, 3/64 and 1/16 inch
201071F	17873	Roller Presser Needle Guard (front) Screw
236658	17873	Roller Presser and Bar complete, in 1/32 in. gauge, Nos. 200096D, 200117F, 201071F, 202558, 203430, 204495, 229325, 229328, 229371, 229744, 235087, 235088 and two 200141F
236659	17873	Roller Presser and Bar complete, in 3/64 in. gauge, Nos. 200096D, 200117F, 201071F, 202558, 203430, 204495, 229325, 229328, 229371, 235087, 235088, 236645 and two 200141F

No.	Plate	Name
236660	17873	Roller Presser and Bar complete, in 1/16 in. gauge, Nos. 200096D, 200117F, 201071F, 202558, 203430, 204495, 229325, 229328, 229371, 229745, 235087, 235088 and two 200141F
236661	17873	Roller Presser and Bar complete, in 3/32 in. gauge, Nos. 200082D, 200117F, 202558, 203430, 204495, 229330, 229371, 229744, 229745, 235087, 235088 and two 200141F
236662	17873	Roller Presser and Bar complete, in 1/8 in. gauge, Nos. 200082D, 200117F, 202558, 202760, 203430, 204495, 229331, 229371, 235087, 235088 and two 200141F
236663	17873	Roller Presser and Bar complete, in 5/32 in. gauge, Nos. 200077D, 200117F, 202558, 202760, 203430, 204495, 229332, 229371, 229744, 235087, 235088 and two 200141F
236664	17873	Roller Presser and Bar complete, in 3/16 in. gauge, Nos. 200077D, 200117F, 202558, 202760, 203430, 204495, 229347, 229371, 229745, 235087, 235088 and two 200141F
236665	17873	Roller Presser and Bar complete, in 7/32 in. gauge, Nos. 200077D, 200117F, 202558, 202760, 203430, 204495, 229334, 229371, 229744, 229745, 235087, 235088 and two 200141F
236666	17873	Roller Presser and Bar complete, in 1/4 in. gauge, Nos. 200064D, 200117F, 202558, 203430, 204495, 229335, 229371, 235087, 235088, two each 200141F and 202760
223881	17870	Take-up Lever
202399	17870	Take-up Lever Driving Stud with 202277
202277	17870	Take-up Lever Driving Stud Oil Packing (wick)
202400	17870	Take-up Lever Hinge Stud with 202423
202423	17870	Take-up Lever Hinge Stud Oil Packing (wick)
200383C	17870	Take-up Lever Hinge Stud Set Screw
202401	17870	Take-up Lever Oiling Felt
200132E	17870	Take-up Lever Oiling Felt Screw
263090	17870	Take-up Lever Oiling Wick
248504	17870	Take-up Lever Oiling Wick 263090 with 248505
200109E	17870	Take-up Lever Oiling Wick Screw
201535E	17870	Take-up Lever Oiling Wick Screw Nut
*248505	17870	Take-up Lever Oiling Wick Wire
223702	17871	Tension Bracket with two each 201224X and 236060
200159F	17871	Tension Bracket Screw

No.	Plate	Name
248217	17871	Tension Bracket complete, Nos. 200978X, 201199F, 223702, 223703, 223706, 237174, two each 200309E, 204271, 223438, 223704, three 201572X and four 244048
244048	17871	Tension Disc
236060	17871	Tension Disc Position Pin
223703	17871	Tension Release Lever
235072	17870	Tension Release Lever Rod
200309E	17871	Tension Release Lever Screw
223704	17871	Tension Release Plunger
204271	17871	Tension Release Washer
223438	17871	Tension Spring
201224X	17871	Tension Stud
201572X	17871	Tension Thumb Nut
223706	17871	Thread Controller Disc
200978X	17871	Thread Controller Disc Screw
237174	17871	Thread Controller Spring
241360	17871	Thread Controller Spring Stop
200132E	17871	Thread Controller Spring Stop Screw
201199F	17871	Thread Controller Stud with 204925
200061ALX	17871	Thread Controller Stud Set Screw
201572X	17871	Thread Controller Stud Thumb Nut
204925	17871	Thread Controller Stud Washer
224028	17866	Thread Guide
202741	17871	Thread Guide (upper)
200397X	17871	Thread Guide (upper) Set Screw
241755	17869	Thread Lubricator Oil Pad (felt)
241756	17869	Thread Lubricator Oil Pad Holder
240439	17869	Thread Lubricator Oil Pad Retainer
241758	17869	Thread Lubricator Oil Reservoir
241759	17869	Thread Lubricator Oil Wick
350432XC	17869	Thread Lubricator Screw
201650X	17869	Thread Lubricator Screw Nut
214838	17869	Thread Lubricator Screw Washer
241760	17869	Thread Lubricator complete, Nos. 214838, 240439, 241755, 241756, 241758 and 241759
240034	17871	Thread Retainer (2)
200366X	17871	Thread Retainer Set Screw (2)
236601	17874	Throat Plate, 50 needle hole, needles 3/32 in apart, for needle sizes 14 and 15, in gauges 1/32, 3/64 and 1/16 in., for 212103
236612	17874	Throat Plate, 50 needle hole, for needle sizes 14 and 15, in 3/32 in. gauge, for 212117
236603	17874	Throat Plate, 53 needle hole, for needle sizes 12 and 13, in 1/8 in. gauge, for 212151
236604	17874	Throat Plate, 50 needle hole, for needle sizes 14 and 15, in 5/32 in. gauge, for 212151
236605	17874	Throat Plate, 50 needle hole, for needle sizes 14 and 15, in 3/16 in. gauge, for 212148

No.	Plate	Name
236607	17874	Throat Plate, 50 needle hole, for needle sizes 14 and 15, in 7/32 in. gauge, for 212154
236609	17874	Throat Plate, 50 needle hole, for needle sizes 14 and 15, in 1/4 in. gauge, for 211805
200161D	17874	Throat Plate Clamp Screw
203376	17874	Throat Plate Position Pin
691F	17874	Throat Plate Screw

**SINGER Needles should be used
in SINGER Machines
These Needles and their Containers
are marked with the
Company's Trademark "SIMANCO" 1**

**Needles in Containers marked
"FOR SINGER MACHINES"
are NOT SINGER made needles 2**

ACCESSORIES

No.	Plate	Name
200157E	17869	Attachment Screw
202258	17875	Bed Hinge Connection (2)
200570E	17875	Bed Hinge Connection Screw (4)
203470	17803	Bobbin (4)
224121	16644	Drip Pan, 20 in. long, with four 3/4 in. wire nails
41400	17875	Machine Rest Pin (wood)
135x6	----	Needles, twelve, size 12
120342	17875	Oiler (copper plated) with 120343
120343	17875	Oiler Spout, 3-1/2 in. long
228476	17875	Screw Driver (Bobbin Case)
225498	17875	Screw Driver (7-1/4 in. long)
225554	17875	Wrench
4822	17875	Wrench
240566	17875	Wrench (1/16 in. Hex)

BOBBIN WINDER

(SWINGING AUTOMATIC, RIGHT HAND)

FOR "V" BELT DRIVE

259428	17853	Brake (leather)
259429	17853	Brake Clamp
200113F	17853	Brake Clamp Screw
225453	17853	Frame with 202277 and 259660
225454	17853	Frame Hinge Pin
202277	17853	Frame Oil Packing (wick)
259660	17853	Frame Oil Well Washer
225455	17853	Frame Spring
225456	17853	Frame Spring Plunger
259461	17853	Pulley with 200380C
200380C	17853	Pulley Set Screw
225381	17853	Spindle
225444	17853	Stop Latch
200056E	17853	Stop Latch Screw
225458	17853	Stop Latch Thumb Lever
225459	17853	Stop Latch Thumb Lever Hinge Stud
225459	17853	Stop Latch Thumb Lever Joint Stud
202478	17853	Stop Latch Trip Lever
200299X	17853	Stop Latch Trip Lever Hinge Screw
225461	17853	Tension Bracket with 201499X
200082D	17853	Tension Bracket Screw

No.	Plate	Name
228026	17853	Tension Bracket Screw Washer
2102	17853	Tension Disc
13710	17853	Tension Spring
201499X	17853	Tension Stud
201572X	17853	Tension Stud Thumb Nut
225462	17853	Bobbin Winder Tension Bracket complete, Nos. 13710, 201572X, 225461 and two 2102
259462	17853	Bobbin Winder and Tension Bracket Base
259462	17853	Universal Bobbin Winder complete, Nos. 200056E, 200082D, 200113F, 200299X, 202478, 225381, 225444, 225453 to 225456, 225458, 225462, 228026, 259428, 259429, 259461, 259662, two each 225459 and wood screws 3/4 in., No. 12, R. H. B.

Note: Bobbin Winder 259462 is furnished with this machine unless Bobbin Winder 259431 is specified on order.

KNEE LIFTER

228713	18580	Rock Lever with two 350231C
228707	18580	Rock Lever Bracket with 200347AL and three wood screws 7/8 in., No. 12
228709	18580	Rock Lever Bracket 228707 with 228363, 228367, 228386, 228455 and 228713
228370	18580	Rock Lever Extension with 200530C
350231C	18580	Rock Lever Extension Set Screw
228363	18580	Rock Lever Hinge Pin
228364	18580	Rock Lever Knee Plate with 350231C
228388	18580	Rock Lever Knee Plate Arm
350231C	18580	Rock Lever Knee Plate Arm Set Screw
350231C	18580	Rock Lever Knee Plate Set Screw
228455	18580	Rock Lever Position Spring
228365	18580	Rock Lever Rod
200530C	18580	Rock Lever Rod Set Screw
228386	18580	Rock Lever Spring
228367	18580	Rock Lever Stop Stud
200347AL	18580	Rock Lever Stop Stud Set Screw
228710	18580	Knee Lifter Rock Lever complete, Nos. 228364, 228365, 228370, 228388 and 228709

(Other Knee Lifter parts are listed with parts of Machine Head.)

THREAD UNWINDER FOR THREE SPOOLS

No.	Plate	Name
228764	18104	Spool Pin
228765	18104	Spool Rest (for one spool) (flat) with 201254C
228766	18104	Spool Rest (for two spools) (flat) with 201254C
150203	18104	Spool Rest Cushion (felt)
228767	18104	Spool Rest Rod
201254C	18104	Spool Rest Set Screw
228768	18104	Spool Stand
228769	18104	Thread Guide
228771	18104	Thread Guide Holder (for three guides)
228774	18104	Thread Guide Rod
228777	18104	Thread Unwinder (for three spools) complete, Nos. 228765 to 228768, 228771, 228774, three each 150203, 228764, 228769 and wood screws 7/8 in., No. 12

ATTACHMENT SLIDE PLATES

224144	17869	Attachment Slide Plate with 213479 and 236061
224146	17869	Attachment Slide Plate with 213479 and 236061, for use with depressed Throat Plates

FEED DOGS

211805	17874	Feed Dog, for 236609
212103	17874	Feed Dog, for 236601 and 236608
212104	17874	Feed Dog, for 236601 and 236608
212117	17874	Feed Dog, for 236612
212148	17874	Feed Dog, for 236605
212154	17874	Feed Dog, for 236607
212151	17874	Feed Dog, for 236603 and 236604

FOOT LIFTER

PARTS REQUIRED FOR CHANGING FROM KNEE LIFTER TO FOOT LIFTER

No.	Plate	Name
223733	17869	Foot Lifter Lifting Lever Extension
200082D	17869	Foot Lifter Lifting Lever Extension Screw
221145	17869	Foot Lifter Lifting Lever Spring
200835D	17869	Foot Lifter Lifting Lever Spring Stop Screw

FOOT LIFTER

227952	16862	Foot Lifter Lever with 227954
227678	16862	Foot Lifter Lever Chain, 48 in. long, with 202784
227954	16862	Foot Lifter Lever Chain Hook (lower)
202784	16862	Foot Lifter Lever Chain Hook (upper)
225016	16862	Foot Lifter Lever Hinge Pin
227939	16862	Foot Lifter Lever Stand with two wood screws 1 in., No. 12
227955	16862	Foot Lifter Lever complete, Nos. 225016, 227678, 227939 and 227952

NEEDLE HOLDERS

236648	17872	Needle Holder, in gauges from 3/32 to 1/4 in., in steps of 1/32 in., with 201030AL and two 200141F
236649	17872	Needle Holder, needles 1/8 in. apart and must be set diagonally, in gauges 1/32, 3/64, 1/16 and 3/32 in., with 201030AL and two 200141F
236650	17872	Needle Holder, needles 3/32 in. apart and must be set diagonally, in gauges 1/32, 3/64 and 1/16 in., with 201030AL and two 200141F

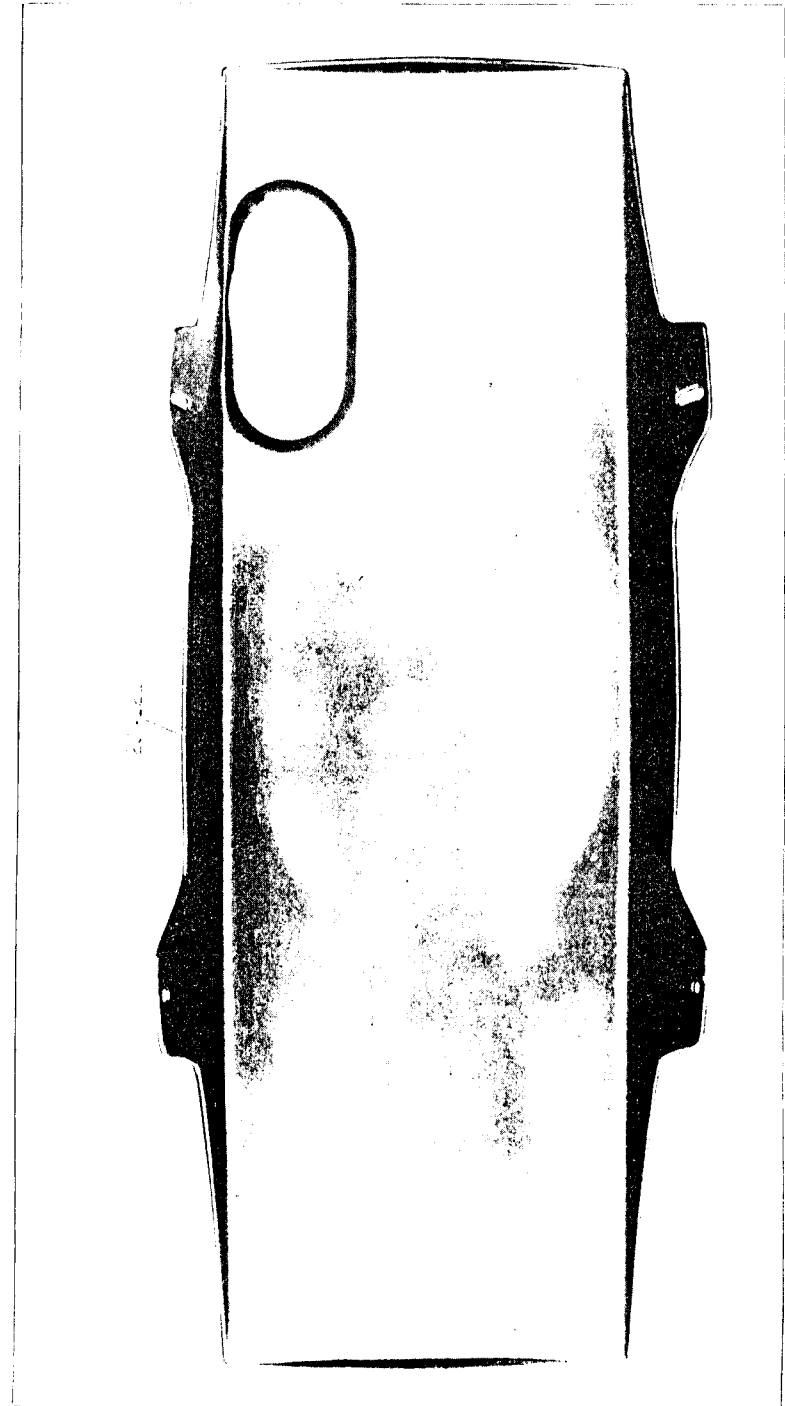
THROAT PLATES

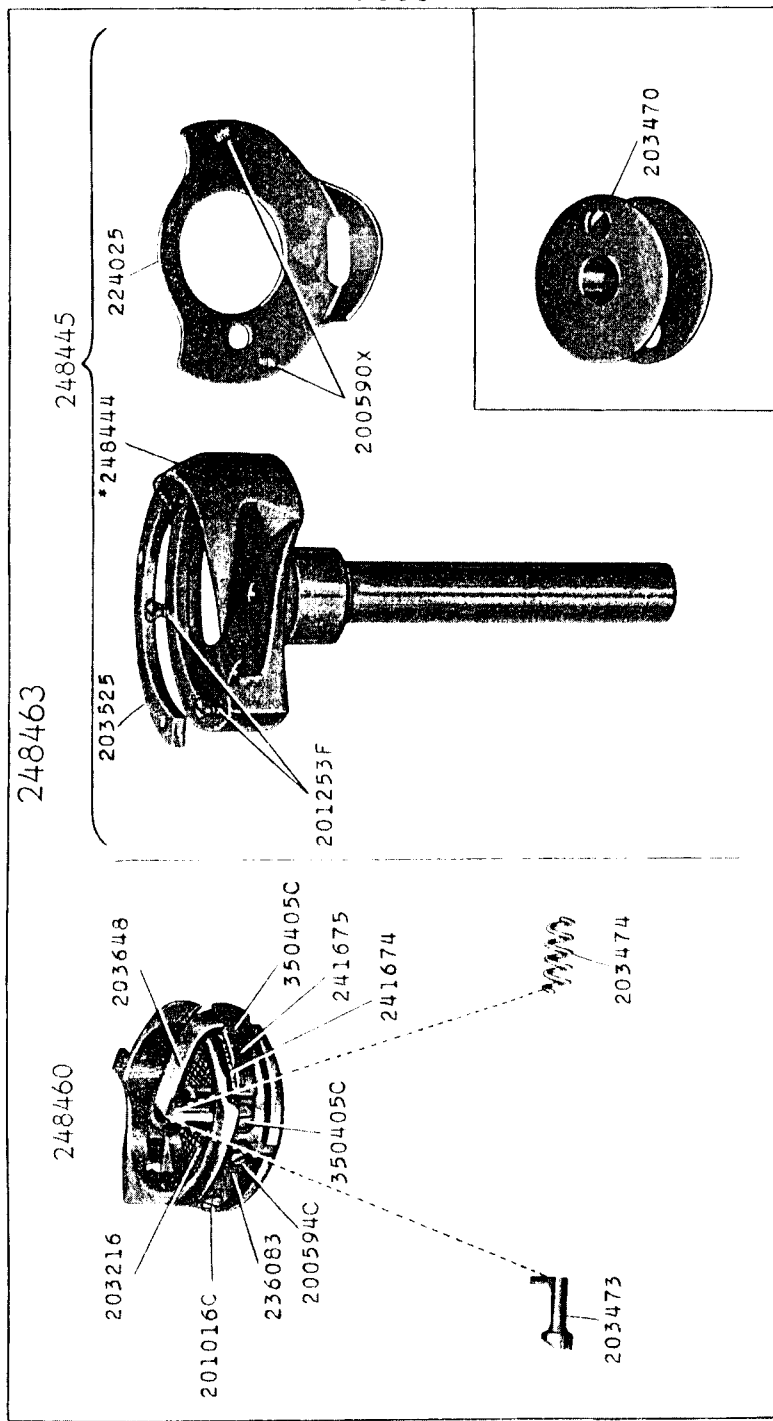
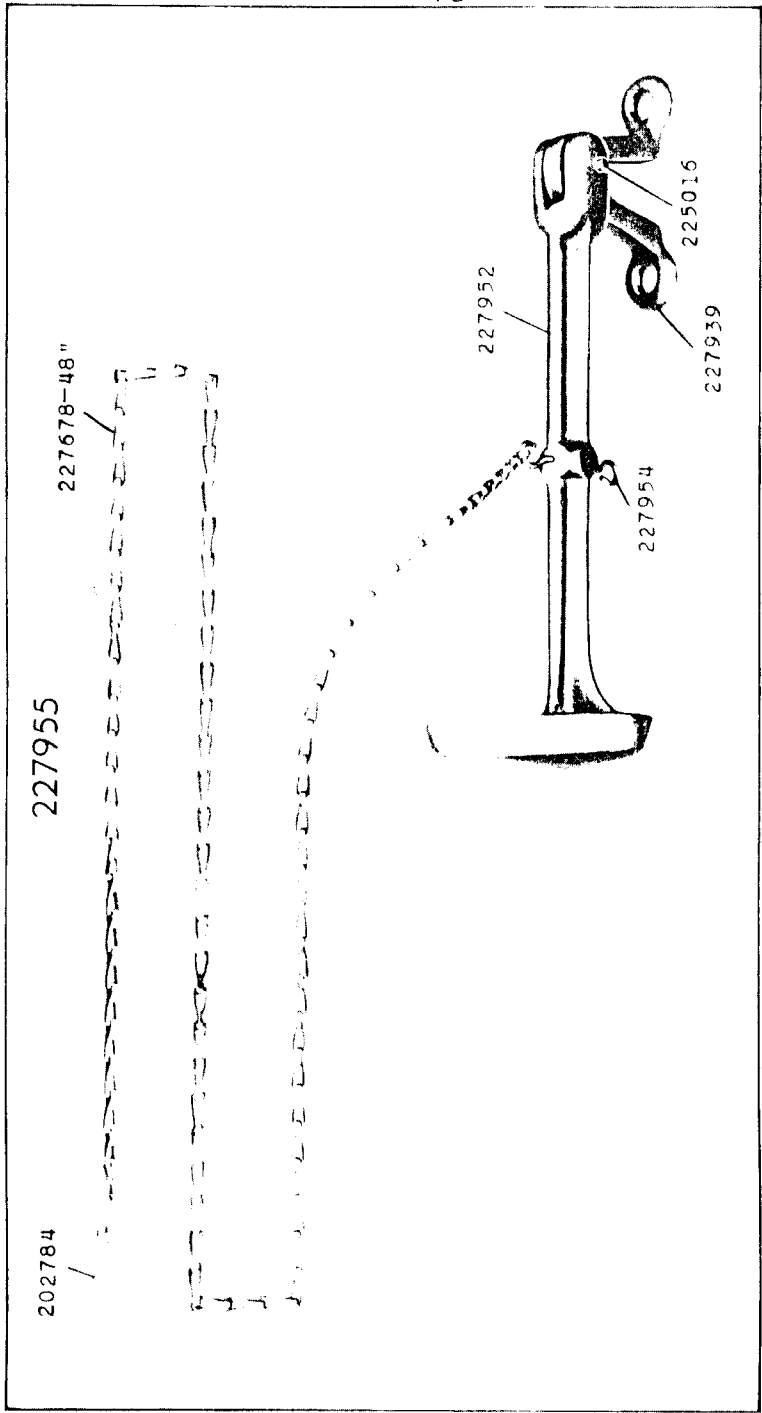
No.	Plate	Name
236601	17874	Throat Plate, 50 needle hole, needles 3/32 in. apart, for needle sizes 14 and 15, in gauges 1/32, 3/64 and 1/16 in., for 212103 and 212104
236608	17874	Throat Plate, 50 needle hole, needles 1/8 in. apart, for needle sizes 14 and 15, in gauges 1/32, 3/64, 1/16, 5/64 and 3/32 in., for 212103 and 212104
236612	17874	Throat Plate, 50 needle hole, for needle sizes 14 and 15, in 3/32 in. gauge, for 212117
236603	17874	Throat Plate, 53 needle hole, for needle sizes 12 and 13, in 1/8 in. gauge, for 212151
236604	17874	Throat Plate, 50 needle hole, for needle sizes 14 and 15, in 5/32 in. gauge, for 212151
236605	17874	Throat Plate, 50 needle hole, for needle sizes 14 and 15, in 3/16 in. gauge, for 212148
236607	17874	Throat Plate, 50 needle hole, for needle sizes 14 and 15, in 7/32 in. gauge, for 212154
236609	17874	Throat Plate, 50 needle hole, for needle sizes 14 and 15, in 1/4 in. gauge, for 211805

MISCELLANEOUS PARTS

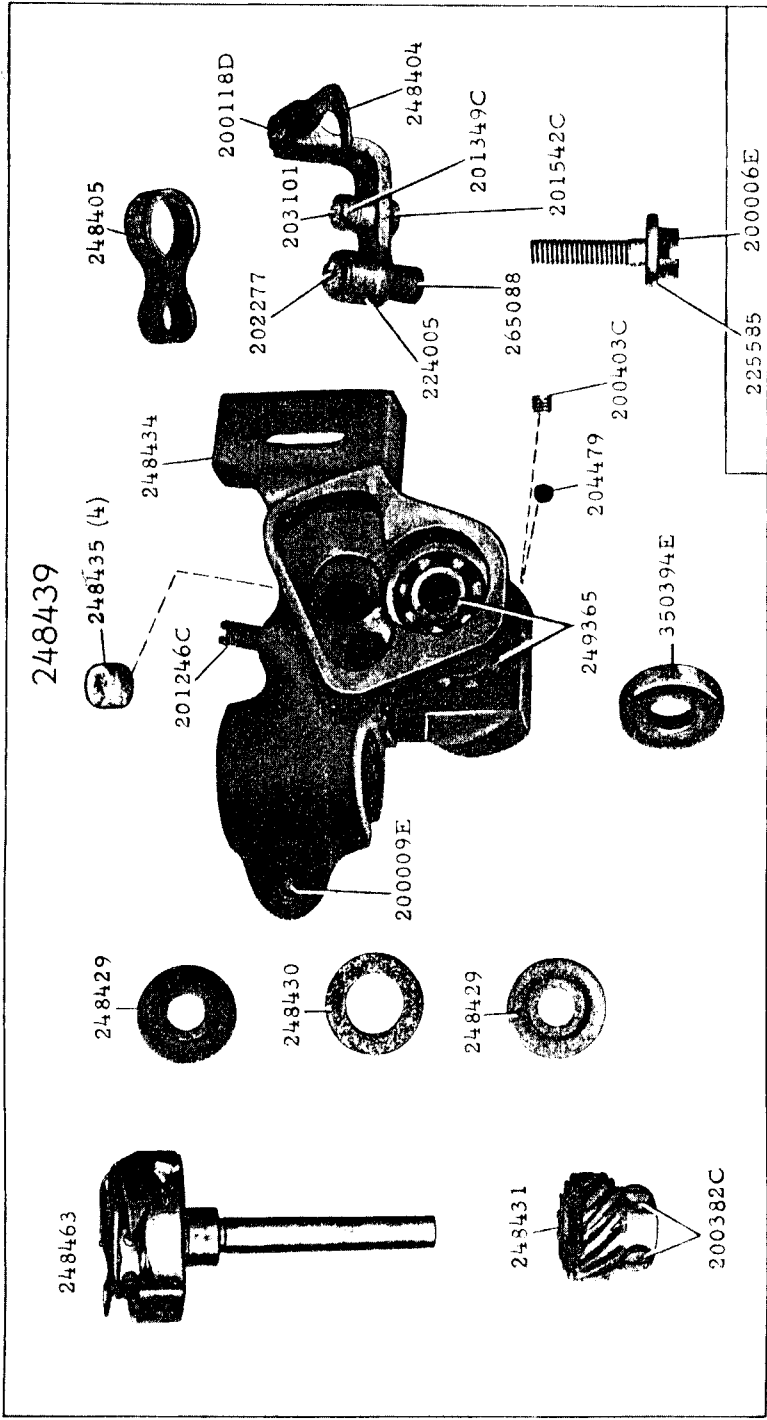
USED IN CONJUNCTION WITH THREAD UNWINDER

60913	18104	Spool Weight with 60914
60914	18104	Spool Weight Center Pin
27739	18104	Thread Cone (wood)
225390	18104	Thread Cone Holder

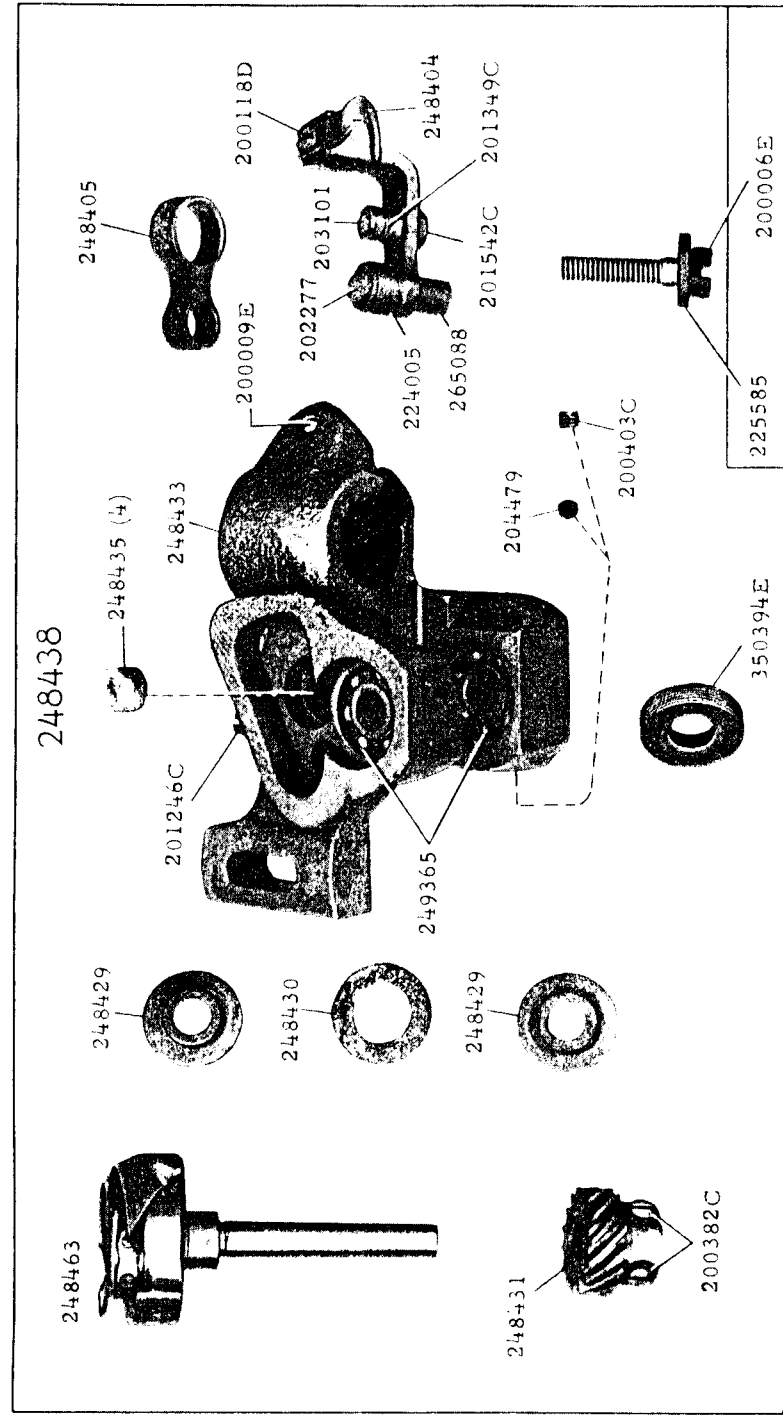




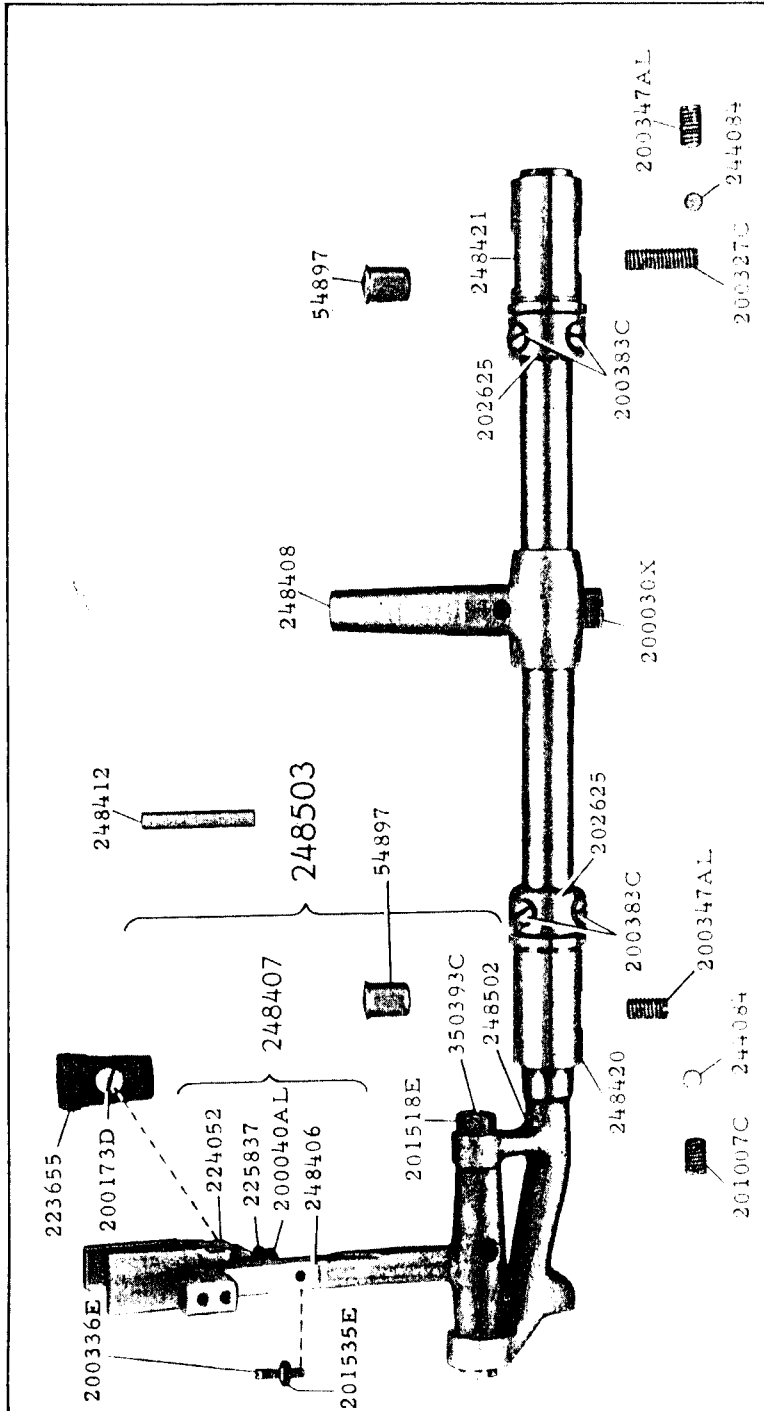
17804 - 5/8



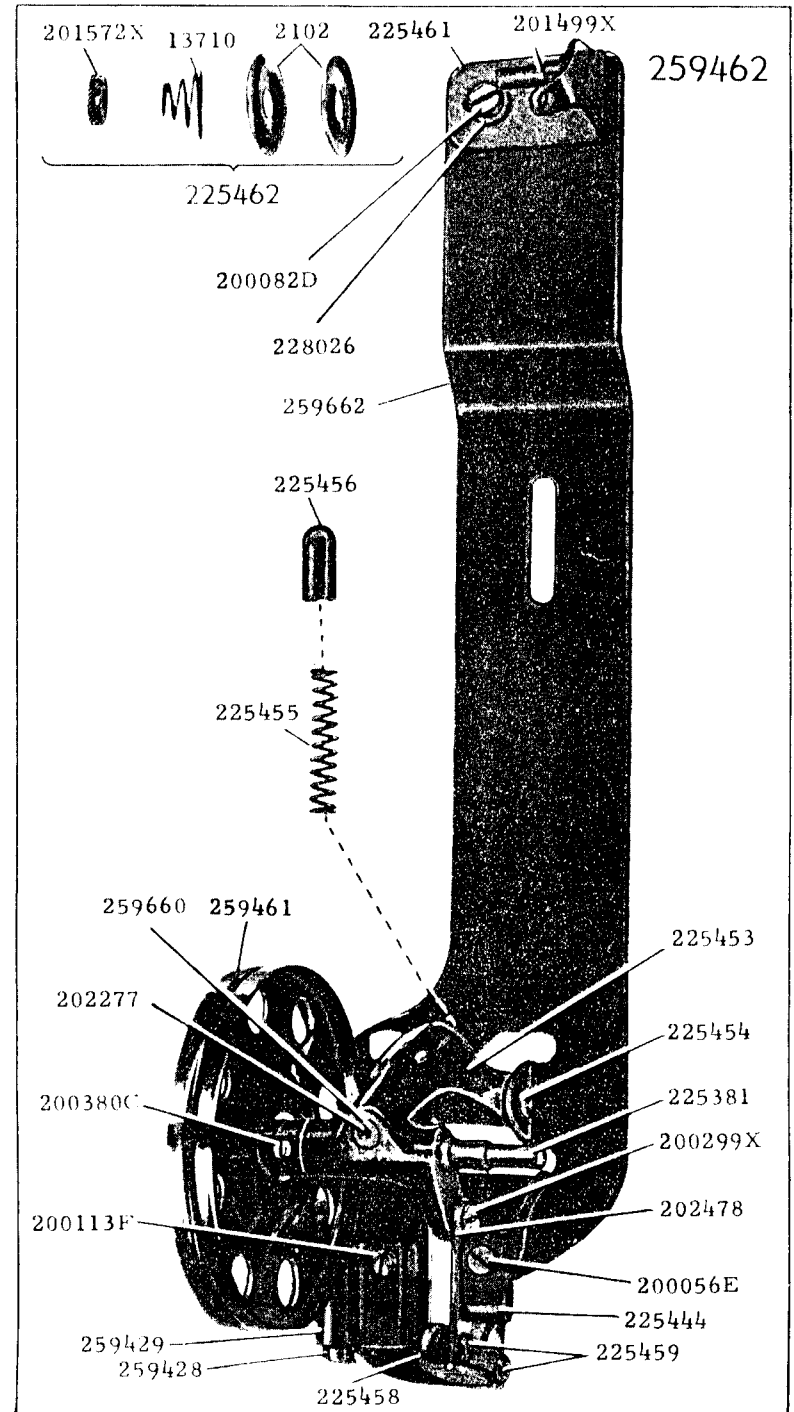
17805 - 5/8



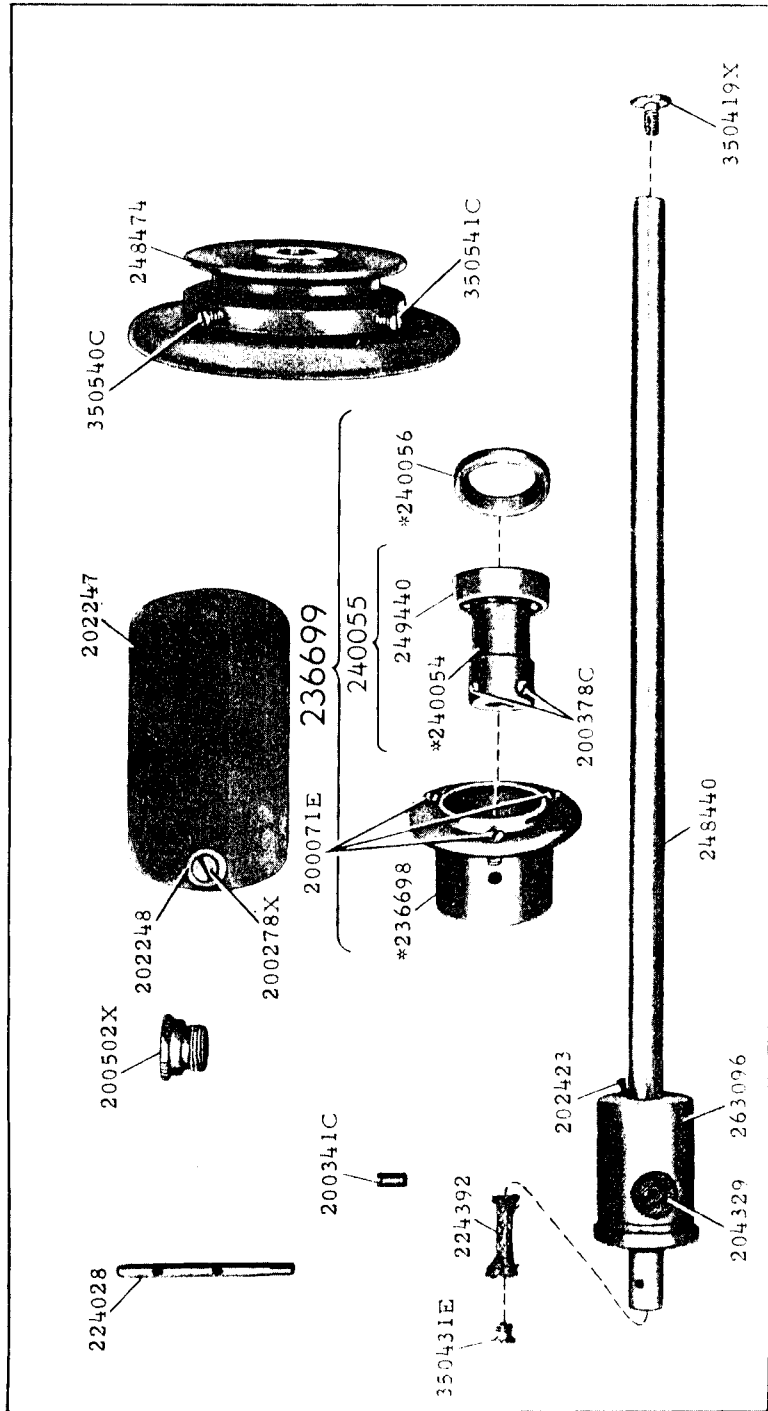
17814 - 1/2



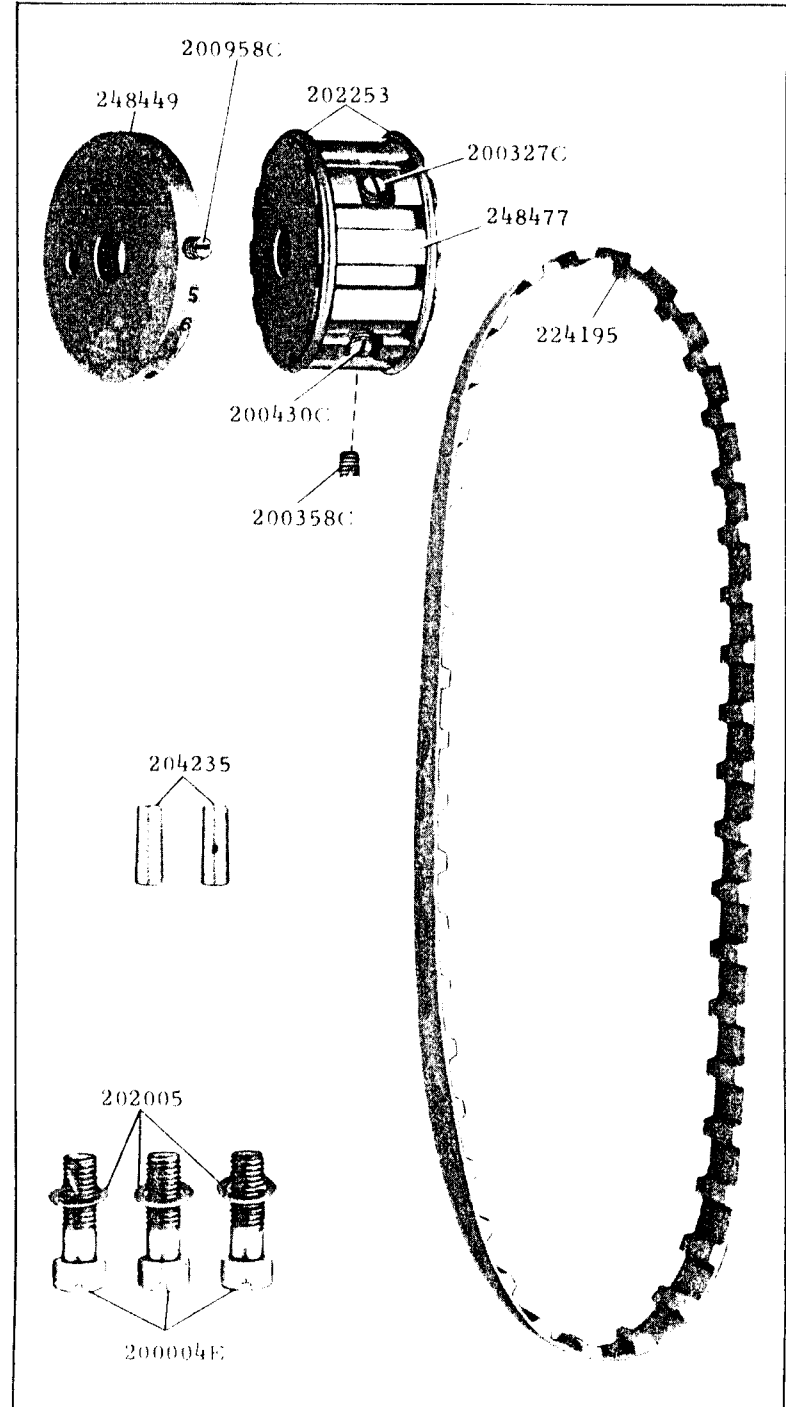
17853 - 1/2



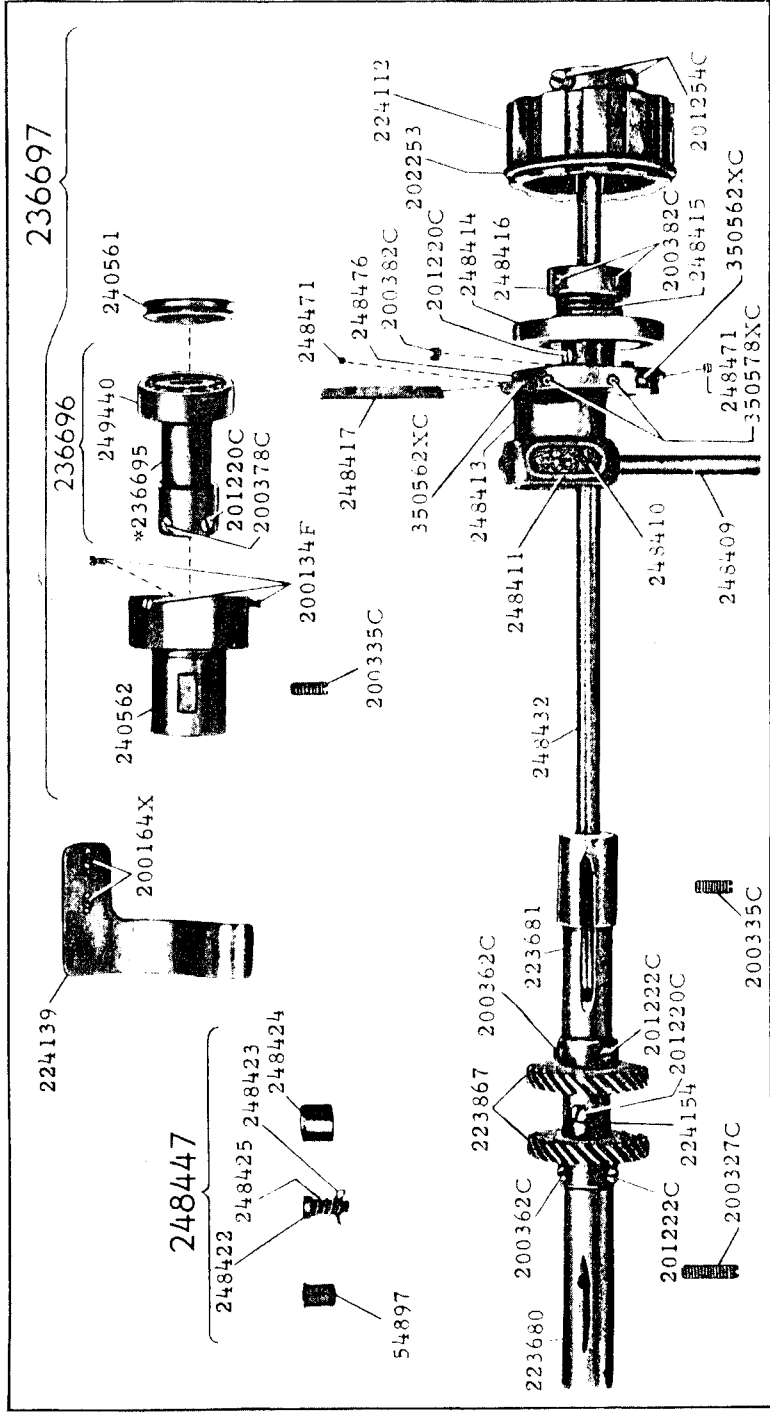
17866 - 3/8



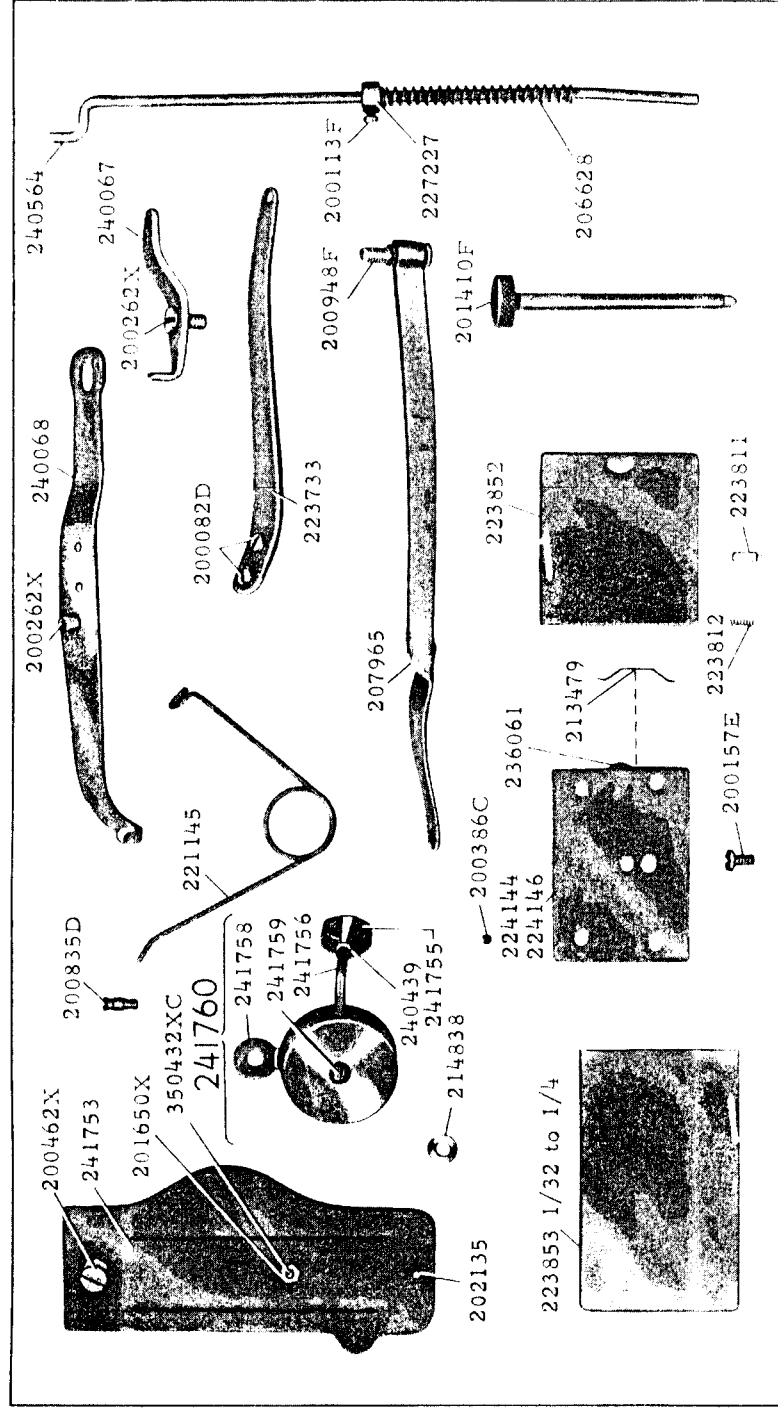
17867 - 1/2



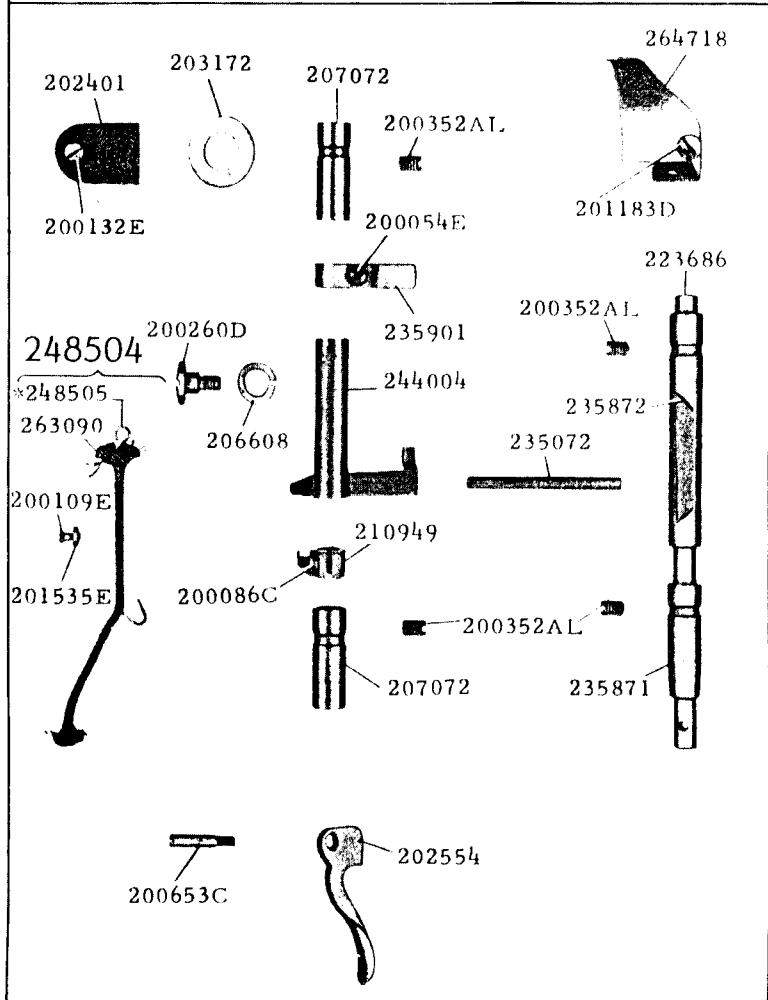
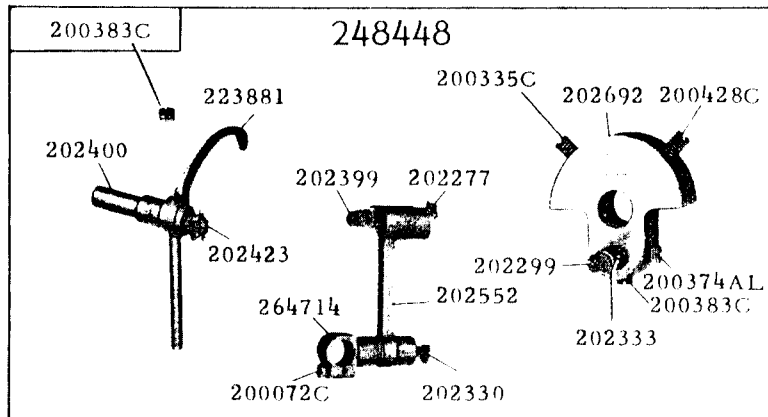
17868 - 3/8



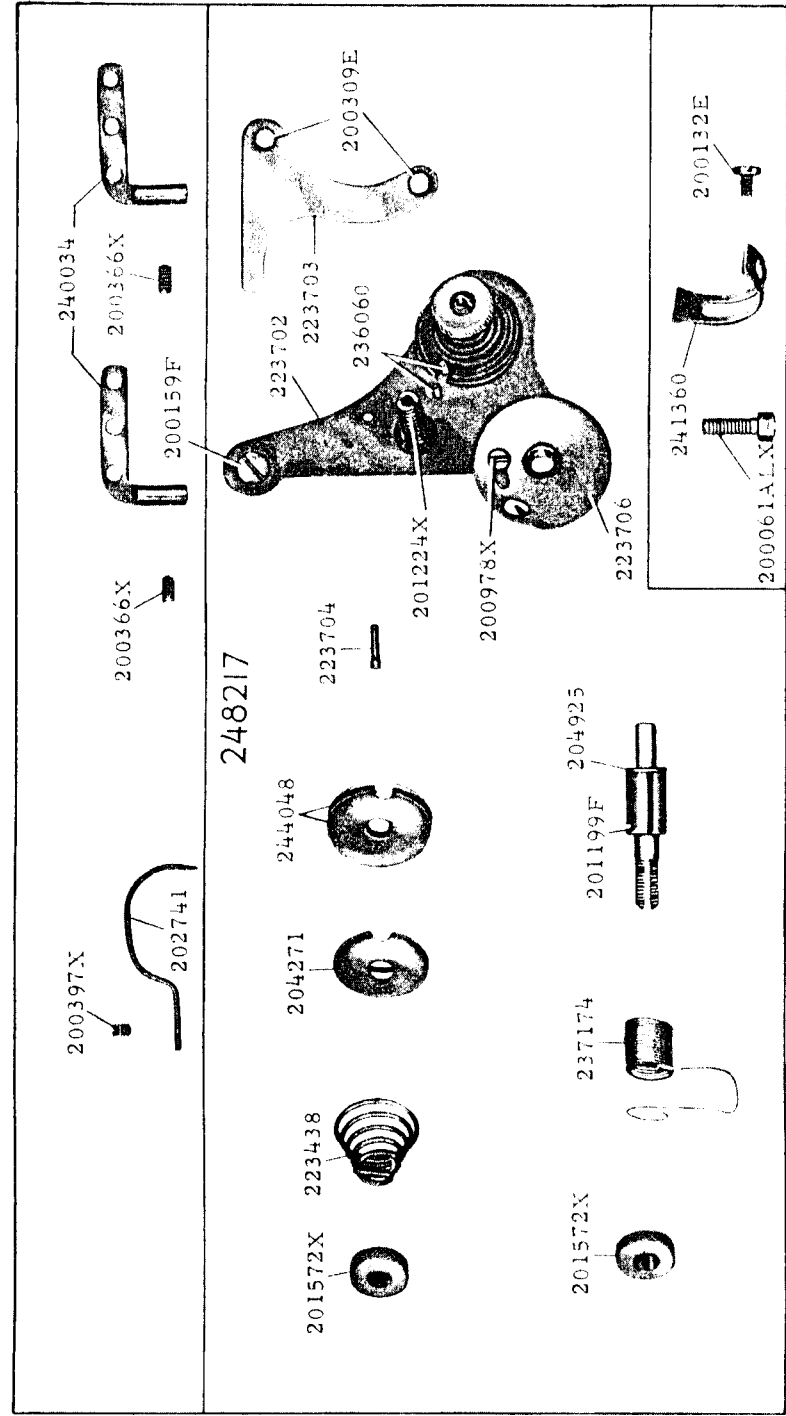
17869 - 1/3



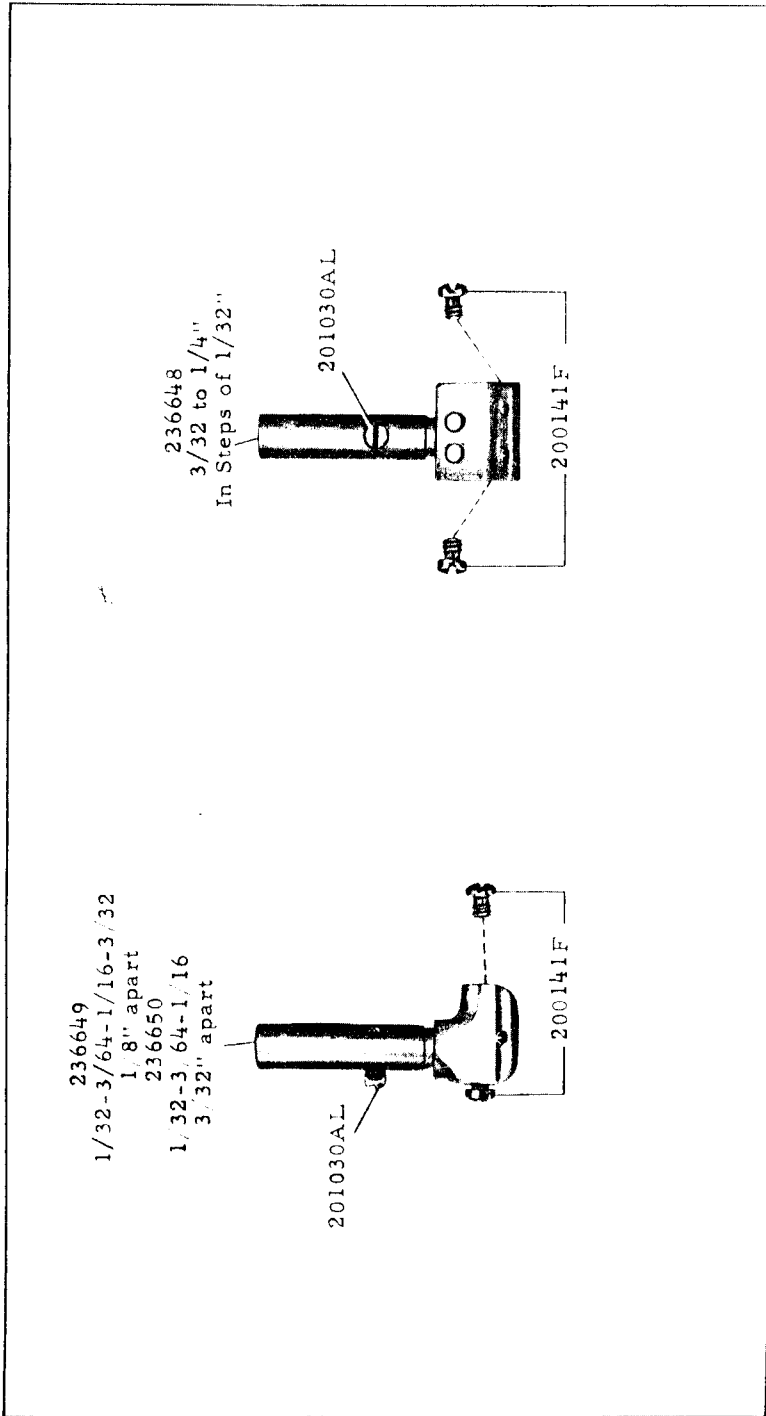
17870 - 3/8



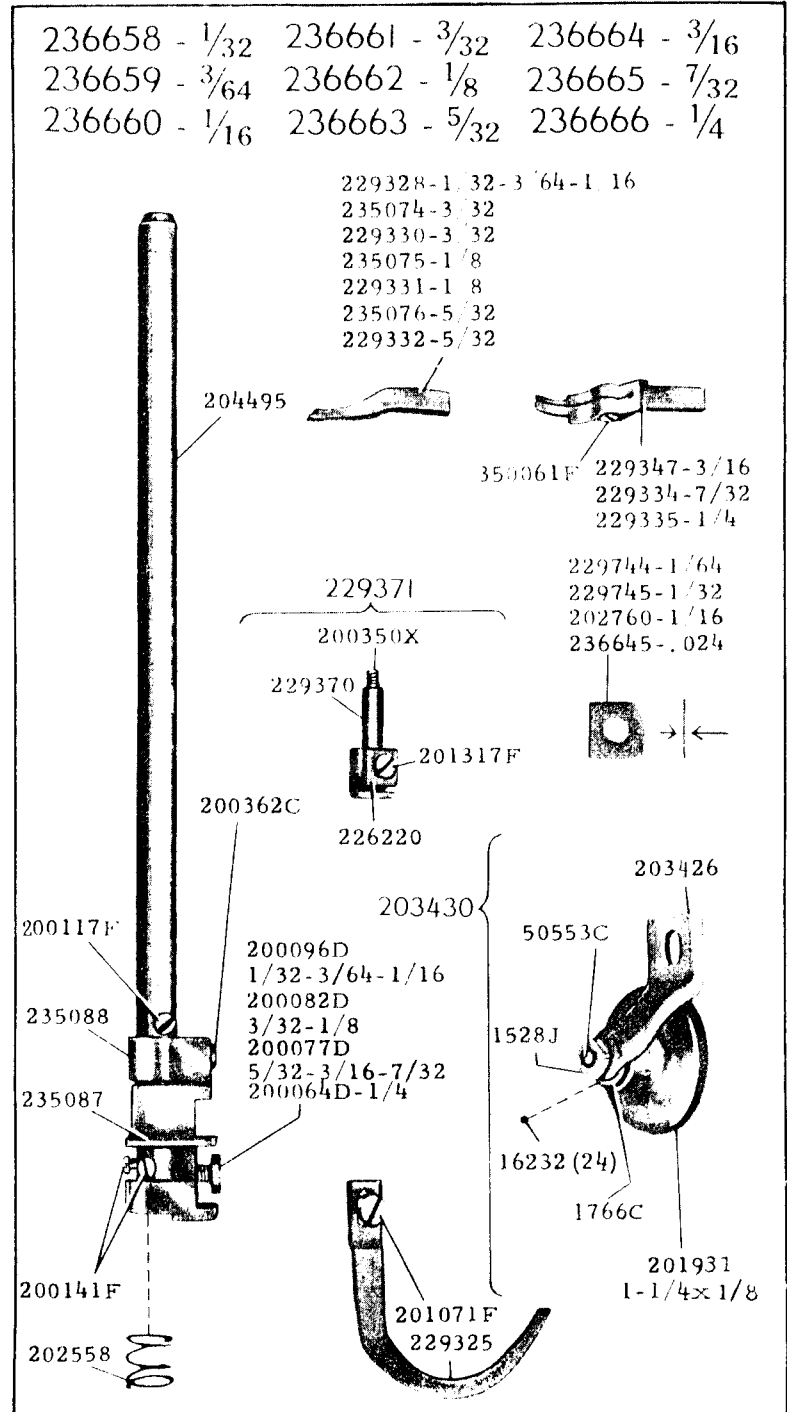
17871 - 5/8



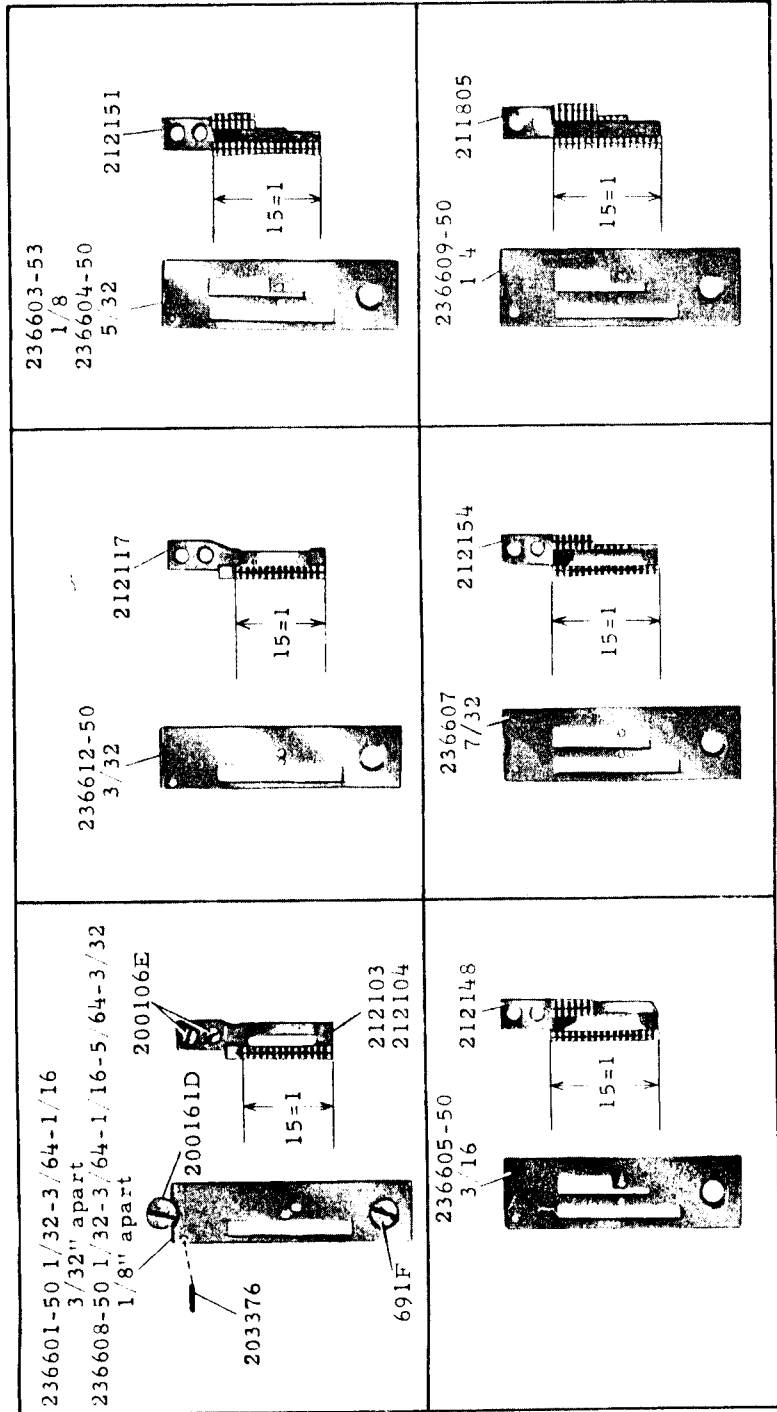
17872



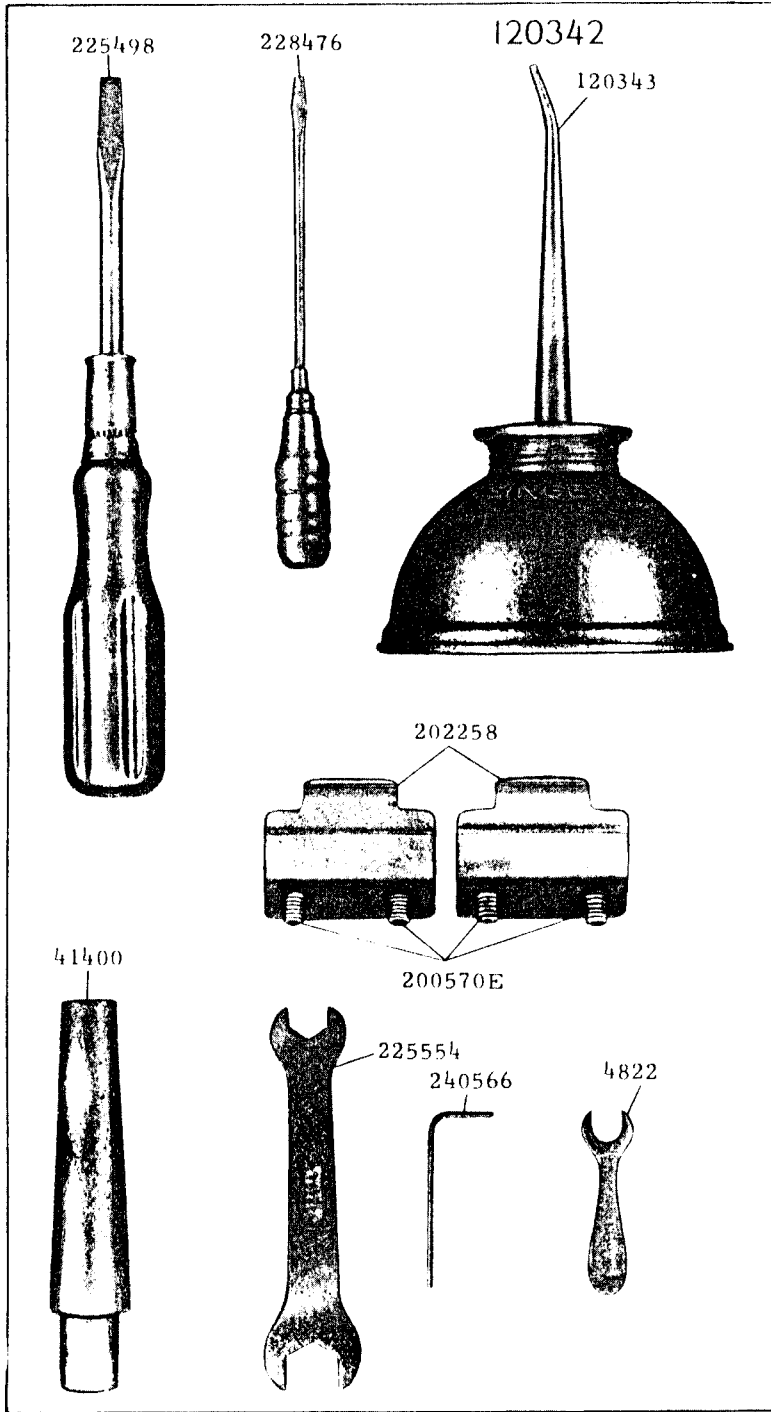
17873 - 5/8



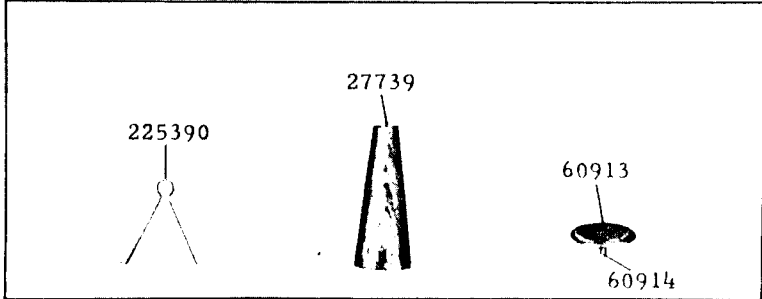
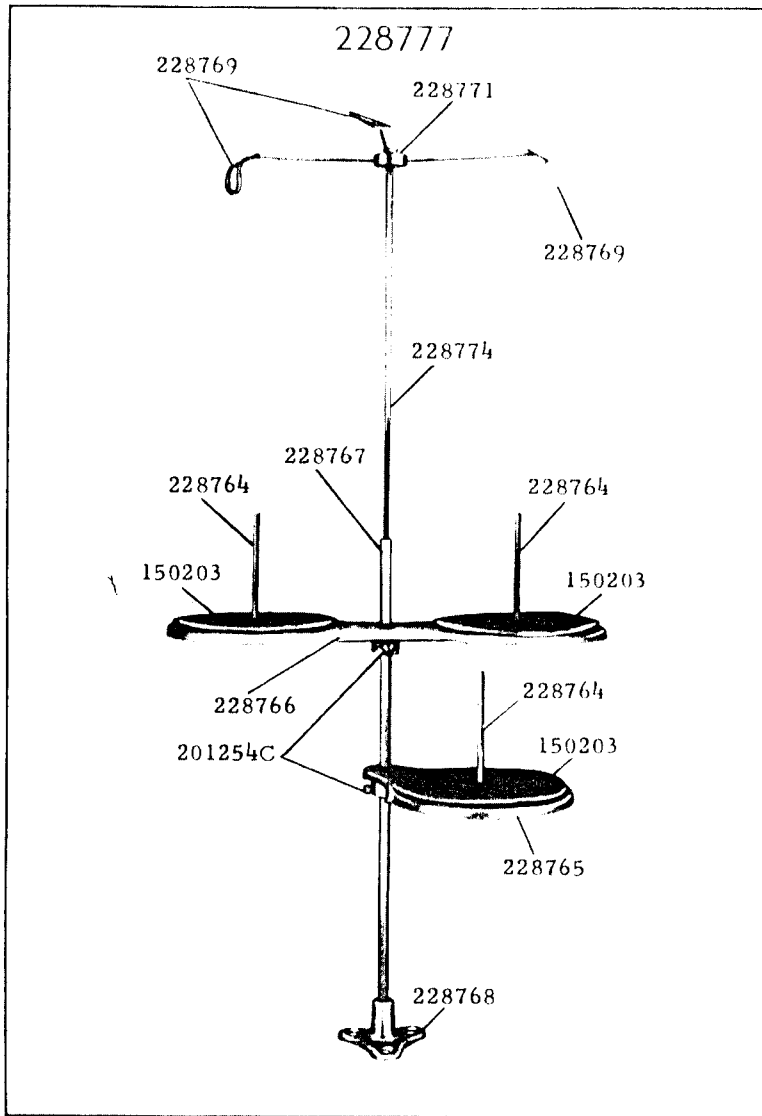
17874 - 1/2



17875 - 1/2



18104 - 1/6



18580 - 3/8

