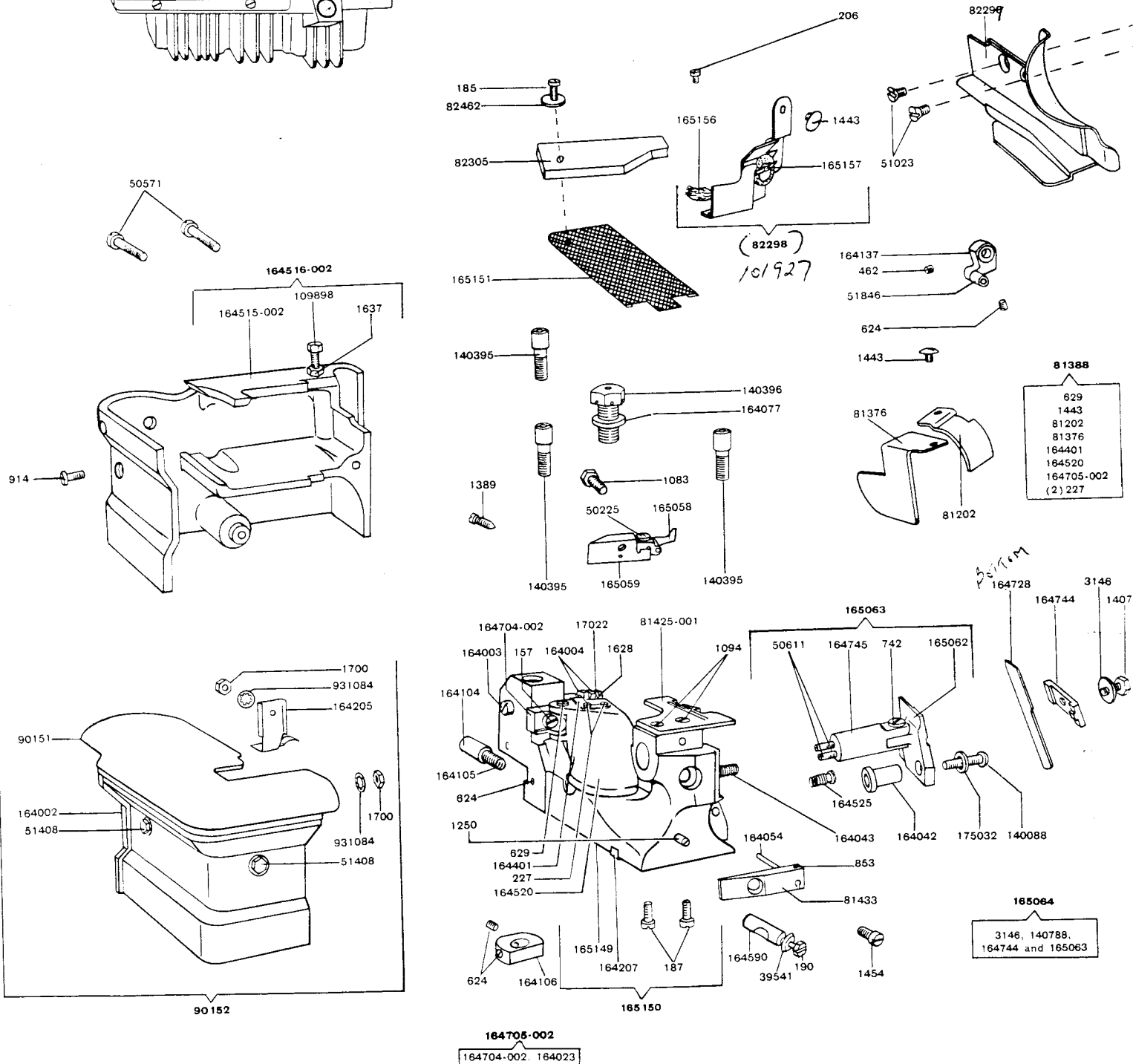
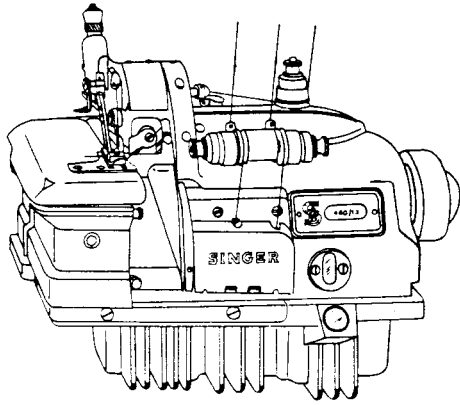


SINGER

460/13

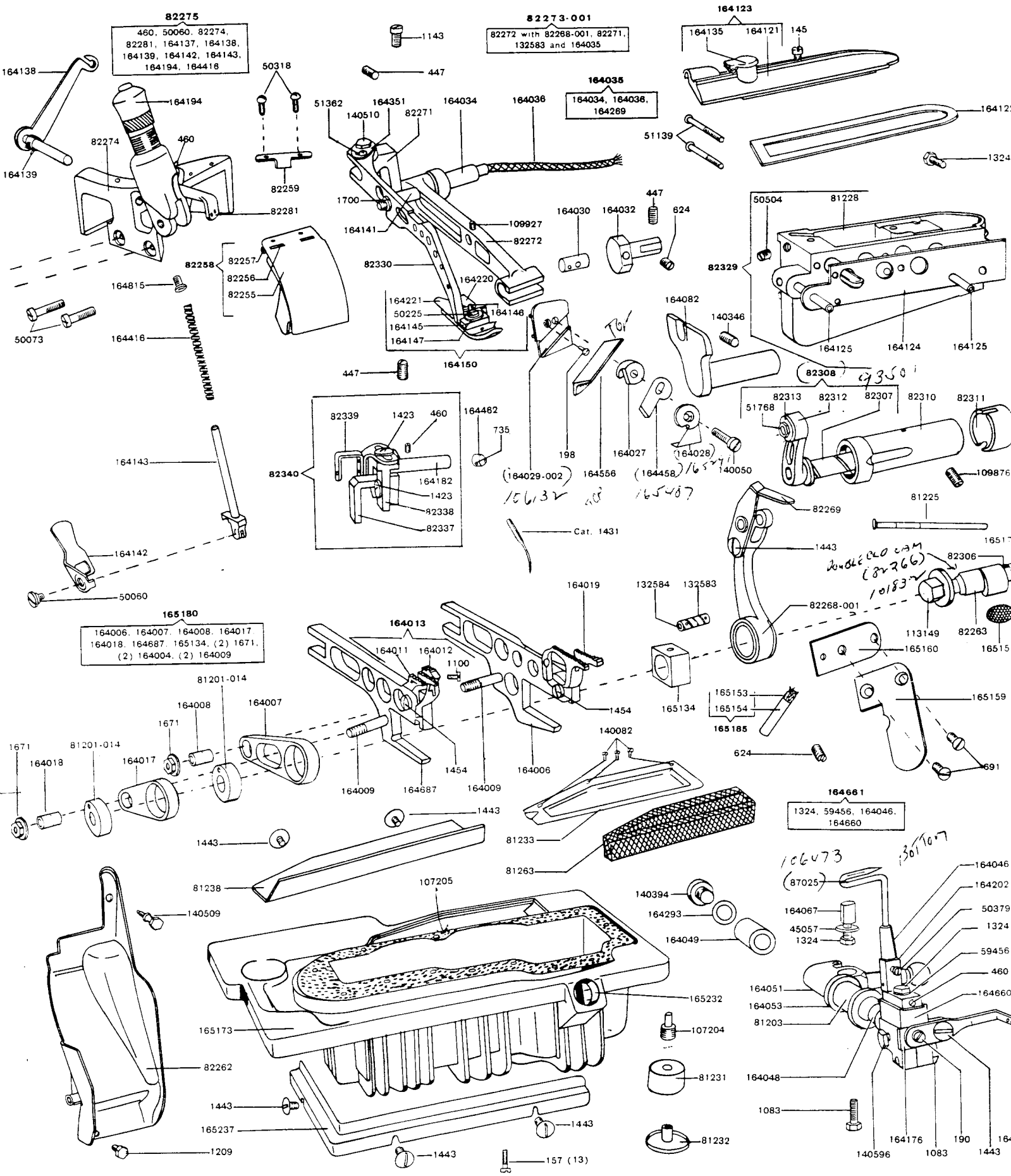
SINGER^{*}

460/13

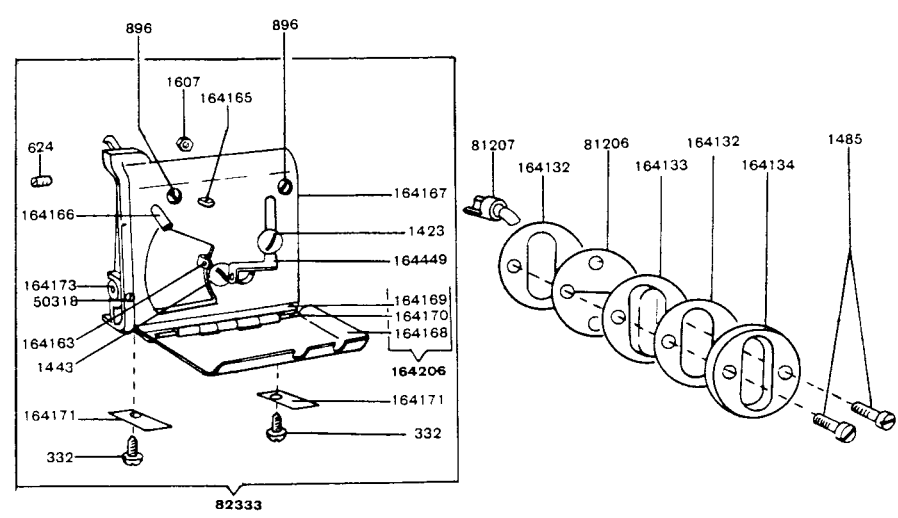
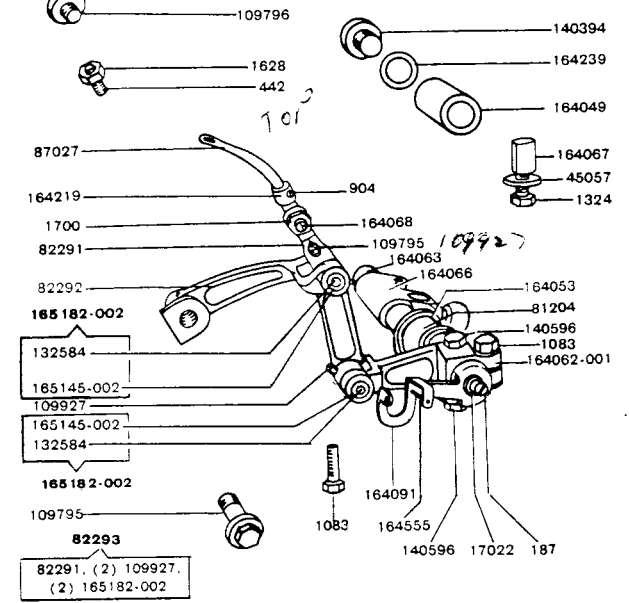
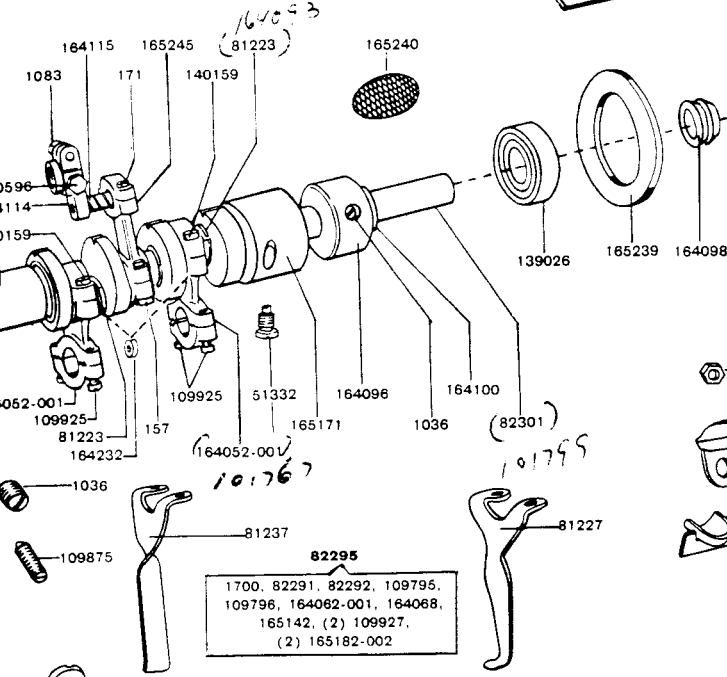
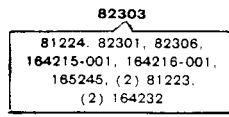
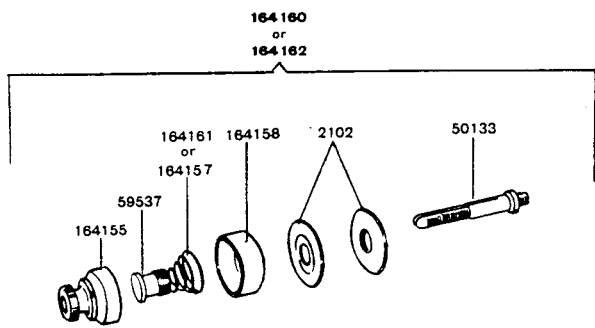
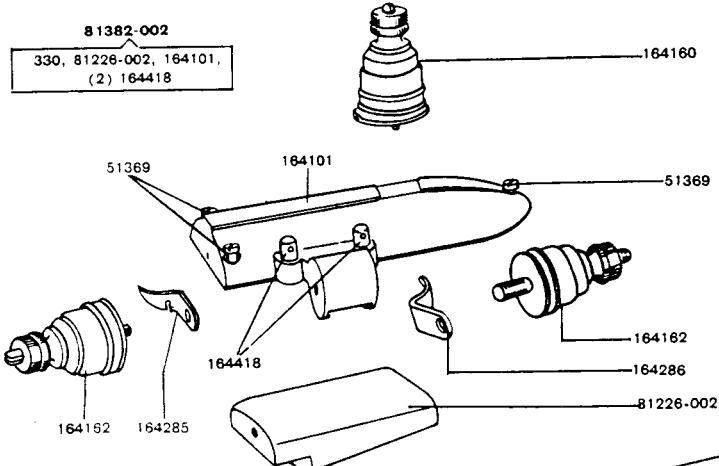


LIST OF PARTS FOR 460/13 MACHINE

Part No.	Description	Part No.	Description
145(809)	Oil Cooler Cover Screw	1443(809)	Thread (needle) Controller Screw
157(803)	Feed Eccentric Cover Bracket Screw	1454(806)	Feed (back) Dog Screw
157(830)	Needle Driving Shaft Crank Connection Cap (lower) Screw	1454(806)	Feed (front) Dog Screw
157(803)	Oil Reservoir Screw	1454(805)	Throat Plate Guide Screw
171(830)	Needle Driving Shaft Crank Connection Cap (upper) Screw	1485(809)	Machine Frame Oil Drip Sight Gauge Window Retainer Screw
185(809)	Machine Frame Bracket Oil Screen Screw	1607(809)	Thread (looper, right hand) Thread Eyelet (stationary) Nut
187(805)	Machine Frame Bracket Key Screw	1628(803)	Feed Bar Slide Block (back) Nut
187(805)	Thread (looper, right hand) Stripper and Take-up Screw	1628(809)	Looper (right hand) Carrier Connecting Link Adjusting Screw (front) Stop Screw Nut
190(805)	Knife (stationary) and Needle Guard Holder Adjusting Stud Cap Screw	1637(819)	Presser Bar Lifting Lever Stop Screw Nut
190(805)	Thread (looper) Take-up Screw (lower)	1671(803)	Feed (back) Bar Connection Hinge Screw Stud Nut
198(809)	Knife (movable) Holder Screw	1671(803)	Feed (front) Bar Connection Hinge Screw Stud Nut
206(809)	Machine Frame Oil Splash Guard (Internal) Screw (bottom)	1698(809)	Machine Frame Oil Lead Screw Nut
227(809)	Feed Eccentric Cover Latch Spring Screw	1700(809)	Cloth Plate Extension Screw Nut
330(809)	Machine Frame Top Cover Oil Lead Screw	1700(809)	Cloth Plate Lock Spring Nut
332(809)	Thread (looper) Plate Cover Spring Screw	1700(809)	Cloth Plate Position Screw Nut
442(830)	Looper (right hand) Carrier Connecting Link Adjusting Screw (front) Stop Screw	1700(809)	Looper (right hand) Locking Screw Stud Nut
447(830)	Knife (movable) Lever Bearing Set Screw (long)	1700(809)	Presser Bar (swing-out) Lifting Screw Stud Nut
447(830)	Knife (movable) Lever Guide Holder Thread Tube Set Screw (Machine Frame End)	2102	Tension (heavy) Disc
447(830)	Knife (movable) Lever Hinge Stud Set Screw (back)	2102	Tension (light) Disc
448(830)	Machine Pulley Set Screw	3146	Knife (stationary) Clamping Gib Screw Washer
460(830)	Knife (movable) Lever Guide Thread Tube Set Screw	17022	Feed Bar Slide Block (back) Nut Washer
460(830)	Looper (left hand) Carrier Screw Set Screw	17022	Thread (looper, right hand) Stripper and Take-up Screw Washer
460(830)	Thread Eyelet (needle thread) Set Screw	39541	Knife (stationary) and Needle Guard Holder Adjusting Stud Cap Screw Washer
462(830)	Presser Bar Lifting Bracket Set Screw (short)	39541	Machine Frame Oil Lead Screw Washer
624(830)	Cloth Plate Plunger Set Screw	45057	Looper (left hand) Driving Shaft Crank Key Screw Washer
624(830)	Cloth Plate Position Collar Set Screw	45057	Looper (right hand) Driving Shaft Crank Key Screw Washer
624(830)	Knife (movable) Lever Bearing Set Screw (short)	50060(810)	Presser Bar (swing-out) Opening Lever Hinge Screw
624(830)	Machine Frame Oil Tube Set Screw	50073(809)	Knife (movable) Lever Cover and Presser Bar (upright) Housing Screw
624(830)	Presser Bar Lifting Bracket Set Screw (long)	50133(803)	Tension (heavy) Screw Stud
624(830)	Thread (looper, right hand) Tube Set Screw	50133(803)	Tension (light) Screw Stud
629(810)	Feed Eccentric Cover Hinge Screw	50169(809)	Presser Bar Guide Screw (not illustrated)
691(803)	Machine Frame Wearing Plate Screw	50225(809)	Needle Guard Screw
735(830)	Lint Stripper Screw	50225(809)	Presser Foot Clamping Plate Screw
742(806)	Knife (stationary) and Needle Guard Holder Screw	50318	Knife (movable) Hinge Cover Screw
853(830)	Looper (left hand) Thread Tube Set Screw	50318(818)	Thread (looper) Plate Thread Bushing Screw
896(830)	Thread (looper) Plate Screw	50379(806)	Looper (left hand) Set Screw
904(830)	Looper (right hand) Position Collar Set Screw	50504(830)	Oil Cooler Plug Screw
914(809)	Machine Frame Cover (back) Screw (short)	50571(809)	Machine Frame Cover (back) Screw (long)
1036(830)	Machine Frame Rotary Shaft Bushing (front) Set Screw	50611(803)	Knife (stationary) and Needle Guard Holder Position Screw
1036(830)	Machine Frame Rotary Shaft Counterbalance Set Screw	51023(818)	Machine Frame Oil Splash Guard (top) Screw
1083(803)	Looper (left hand) Driving Shaft Crank Clamping Screw	51139(809)	Oil Cooler Screw (long)
1083(803)	Looper (left hand) Carrier Holder Clamping Screw	51306(805)	Presser Foot Chain Knife Screw
1083(803)	Looper (right hand) Driving Lever Clamping Screw	51332(803)	Machine Frame Rotary Shaft Bushing (Intermediate) Set Screw
1083(803)	Looper (right hand) Driving Shaft Crank Clamping Screw	51362(830)	Presser Bar (swing-out) Pivot Screw Locking Plate Screw
1083(803)	Needle Driving Shaft Crank Clamping Screw	51369(803)	Machine Frame Rotary Shaft Ball Bearing Housing Screw
1083(805)	Needle Guard Holder Screw	51369(809)	Machine Frame Top Cover Screw
1094(806)	Throat Plate Screw	51408(830)	Cloth Plate Extension Screw
1100(830)	Feed (back) Dog Section (right) Screw	51408(830)	Cloth Plate Position Screw
1143(830)	Knife (movable) Lever Hinge Stud Set Screw (top)	51768	Needle Clamping Nut
1209(809)	Chip Guard Screw (lower)	51846	Presser Bar Lifting Bracket Roller and Stud
1250(830)	Cloth Plate Lock Spring Screw Stud	59456	Looper (left hand) Carrier Holder Washer
1324(830)	Looper (left hand) Carrier Screw	59537	Tension (heavy) Spring Bushing
1324(830)	Looper (left hand) Driving Shaft Crank Key Screw	59537	Tension (light) Spring Bushing
1324(805)	Looper (right hand) Driving Shaft Crank Key Screw	81201-014	Feed (back) Eccentric
1324(809)	Oil Cooler Screw (short)	81201-014	Feed (front) Eccentric
1389(830)	Feed Bar Hinge Pin Set Screw	81202	Feed Eccentric Cover Bracket Oil Cover
1423	Knife (movable) Lever Guide and Needle Thread Bridge Bracket Screw	81203	Looper (left hand) Driving Shaft Bushing (front)
1423	Knife (movable) Lever Guide and Needle Thread Eyelet Screw	81204	Looper (right hand) Driving Shaft Bushing (front)
1443(819)	Oil Reservoir Lint Guard (back) Clamping Screw	81206	Machine Frame Oil Drip Sight Gauge (background) Disc
1443(819)	Oil Reservoir Lint Guard (front) Clamping Screw	81207	Machine Frame Oil Drip Sight Gauge Tube and Support
1423(809)	Thread (looper, right hand) Thread Eyelet Screw	81209-002	Machine Frame Oil Lead Tube Support
1443(809)	Feed Eccentric Cover Bracket Oil Cover Screw	81223	Machine Frame Rotary Shaft Ball Sleeve (two pieces)
1443(809)	Machine Frame Oil Splash Guard (Internal) Screw (top)	81224	Machine Frame Rotary Shaft Oil Hole Plug
1443(809)	Thread (looper, right hand) Stripper and Take-up Eyelet (adjustable) Screw	81225	Machine Frame Rotary Shaft Oil Metering Pin (Internal)
1443(809)	Thread (looper) Take-up Screw (upper)	81226-002	Machine Frame Top Cover Oil Lead Oil Agitator (right hand)
		81227	Oil Cooler
		81228	Oil Cooler
		81231	Machine Cushion (large)
		81232	Machine Mounting Post
		81233	Oil Reservoir Oil Sump Screen Cover
		81237	Oil Agitator (left hand)
		81238	Oil Reservoir Lint Guard (back)
		81263	Oil Reservoir Oil Sump Screen
		81376	Feed Eccentric Cover Bracket Splash Guard
		81382-002	Machine Frame Top Cover 164101 with 330(809), 81226-002 and two 164418
		81388	Feed Eccentric Cover, Nos. 629(810), 1443(809), 81202, 81376, 164401, 164520, 164705-002 and two 227(809)



Part No.	Description	Part No.	Description
81425-001	Throat Plate	140082(805)	Oil Reservoir Oil Sump Screen Cover
81433	Throat Plate Guide with 853(830)		Screw
82255	Knife (movable) Hinged Cover	140088(805)	Knife (stationary) and Needle Guard
82256	Knife (movable) Hinged Cover Hinge		Holder Sleeve Screw
82257	Knife (movable) Hinged Cover Pin	140088(813)	Machine Frame Oil Lead Screw
82258	Knife (movable) Hinged Cover 82255	140159(830)	Looper (left hand) Driving Shaft Crank
	with 82256 and 82257		Connection Cap (upper) Screw
82259	Knife (movable) Hinged Cover Spring	140159(830)	Looper (right hand) Driving Shaft
82262	Chip Guard		Crank Connection Cap (upper) Screw
82263	Feed Lifting and Knife (movable)	140346(830)	Machine Frame Oil Plug Bracket Set
	Eccentric		Screw
82268-001	Thread (needle) Controller Lever	140393(830)	Looper (left hand) Carrier Holder Set
82269	Thread (needle) Controller		Screw (right) (not illustrated)
82271	Presser Bar Bracket	140394(805)	Looper (left hand) Driving Shaft
82272	Knife (movable) Lever with		Bushing (back) Cap Screw
	109927(869)	140394(805)	Looper (right hand) Driving Shaft
82273-001	Knife (movable) Lever 82272 with		Bushing (back) Cap Screw
	82268-001, 82271, 132583 and	140395(805)	Machine Frame Bracket Screw (small)
	164035	140396(805)	Machine Frame Bracket Screw (large)
82274	Knife (movable) Lever Cover and	140416(819)	Machine Pulley Cap Screw
	Presser Bar (upright) Housing	140509(809)	Chip Guard Screw (upper)
	with 460(830)	140510(803)	Presser Bar (swing-out) Pivot Screw
82275	Knife (movable) Lever Cover and	140596(830)	Looper (left hand) Carrier Holder
	Presser Bar (upright) Housing		Set Screw (left)
	complete Nos. 50060(810), 82281,	140596(830)	Looper (right hand) Driving Lever Set
	82274, 460(830), 164137, 164138,		Screw
	164139, 164142, 164143, 164194	140596(830)	Needle Driving Shaft Crank Set Screw
	and 164416	140788(803)	Knife (stationary) Clamping Gib Screw
82281	Thread Eyelet (needle thread)	164002	Cloth Plate Extension
82291	Looper (right hand) Carrier	164003	Feed Bar Hinge Pin (eccentric)
82292	Looper (right hand) Carrier	164004	Feed Bar Slide Block (back)
	Connecting Link	164006	Feed (front) Bar with 164010
82293	Looper (right hand) Carrier 82291	164007	Feed (back) Bar Connection
	with two 109927(869) and	164008	Feed (back) Bar Connection Bearing
	165182-002	164009	Feed (back) Bar Connection Hinge
82295	Looper (right hand) Driving Lever		Screw Stud
	complete	164009	Feed (front) Bar Connection Hinge
82297	Machine Frame Oil Lead		Screw Stud
82298	Machine Frame Oil Splash Guard	164010	Feed (back) Bar Connection Hinge Screw
	(internal) complete		Stud Position Pin (not illustrated)
82299	Machine Frame Oil Splash Guard	164010	Feed (front) Bar Connection Hinge
	(top)		Screw Stud Position Pin
82301	Machine Frame Rotary Shaft	164011	Feed (back) Dog Section (left)
82303	Machine Frame Rotary Shaft 82301	164012	Feed (back) Dog Section (right)
	with 81224, 82306, 164215-001,	164013	Feed (back) Dog complete, Nos.
	164216-001, 165245, two each		1100(830), 164011 and 164012
	81223 and 164232	164017	Feed (front) Bar Connection
82305	Machine Frame Bracket and Cover	164018	Feed (front) Bar Connection
	(back) Gasket		Bearing
82306	Machine Frame Rotary Shaft Key	164019	Feed (front) Dog
82307	Needle Driving Shaft with 82309	164023	Feed Eccentric Oil Wick
82308	Needle Driving Shaft 82307 with	164027	Knife (movable) Clamp
	51768(803), 82312 and 82313	164028	Knife (movable) Guard (lower)
82309	Needle Stop Pin	164029-002	Knife (movable) Holder
82310	Needle Driving Shaft Bushing	164030	Knife (movable) Holder Screw
82311	Needle Driving Shaft Bushing Cap		Bearing
82312	Needle Holder	164032	Knife (movable) Lever Bearing
82313	Needle Holder Washer	164034	Knife (movable) Lever Hinge Stud
82329	Oil Cooler, Nos. 81228, 50504(830)	164035	Knife (movable) Lever Hinge Stud
	and two 164125		164034 with 164036 and 164269
82330	Presser Bar (swing-out)	164036	Knife (movable) Lever Hinge Stud
82333	Thread (looper) Plate complete, Nos.		Oil Wick (long)
	1423(809), 1443(809), 1607(809),	164042	Knife (stationary) and Needle
	50318(818), 164449, 164163, 164165,	164043	Guard Holder Sleeve
	164166, 164167, 164173, 164206 and		Knife (stationary) and Needle
	two each 332(809) and 164171	164046	Guard Holder Spring
82337	Knife (movable) Lever Guide		Looper (left hand) Carrier with
82338	Knife (movable) Lever Guide and		460(830), 50379(806) and 164202
	Needle Thread Bridge Bracket	164048	Looper (left hand) Driving Shaft
82339	Knife (movable) Lever Guide and	164049	Looper (left hand) Driving Shaft
	Needle Thread Bridge Eyelet		Bushing (back)
82340	Knife (movable) Lever Guide 82337	164049	Looper (right hand) Driving Shaft
	with 460, 82338, 82339, 164182		Bushing (back)
	and two 1423	164051	Looper (left hand) Driving Shaft
82462	Machine Frame Bracket Oil Screen		Crank with 1083(803)
	Screw Washer	164052-001	Looper (left hand) Driving Shaft
87025	Looper (left hand)		Crank Connection with two each
87027	Looper (right hand)		109925(830) and 140159(830)
90151	Cloth Plate	164052-001	Looper (right hand) Driving Shaft
90152	Cloth Plate with Extension complete,		Crank Connection with two each
	Nos. 90151, 164002, 164205, two	164053	109925(830) and 140159(830)
	931084 and three each 1700(809)		Looper (left hand) Driving Shaft
	and 51408(830)	164053	Crank Thrust Bearing
107204	Oil Reservoir Drain Plug		Looper (right hand) Driving Shaft
107205	Oil Reservoir Gasket		Crank Thrust Bearing
109795(803)	Looper (right hand) Carrier Connecting	164054	Looper (left hand) Thread Tube
	Link Adjusting Screw (front)	164062-001	Looper (right hand) Driving Lever
109796(803)	Looper (right hand) Carrier Connecting		with 1083(803) and two 140596(830)
	Link Adjusting Sleeve Cap Screw	164063	Looper (right hand) Driving Shaft
	(back)	164066	Looper (right hand) Driving Shaft
109875(803)	Machine Frame Rotary Shaft Bushing		Crank with 1083(830)
	(front) By Pass Oil Control Screw	164067	Looper (left hand) Driving Shaft
109876	Needle Driving Shaft Bushing		Crank Key
	Locating Screw	164067	Looper (right hand) Driving Shaft
109898(803)	Presser Bar Lifting Lever Stop Screw		Crank Key
109925(830)	Looper (left hand) Driving Shaft	164068	Looper (right hand) Locking Screw
	Crank Connection Cap (lower) Screw		Stud
109925(830)	Looper (right hand) Driving Shaft	164071	Machine Pulley Cap
	Crank Connection Cap (lower) Screw	164077	Machine Frame Bracket Screw (large)
109927(869)	Knife (movable) Lever Hinge Pin Set		Washer (fibre)
	Screw	164082	Machine Frame Oil Plug Bracket
109927(869)	Looper (right hand) Carrier Connecting	164091	Thread (looper, right hand) Stripper
	Link Hinge Pin Set Screw		and Take-up with 164555
109927(869)	Looper (right hand) Carrier Hinge Pin	164096	Machine Frame Rotary Shaft
	Set Screw		Counterbalance with 1036(830)
113149	Machine Frame Rotary Shaft Nut	164098	Machine Frame Rotary Shaft Oil and
132583	Knife (movable) Lever Hinge Pin		Ball Bearing Grease Retainer
132584	Knife (movable) Lever Hinge Pin Oil	164099	Machine Frame Rotary Shaft Screw
	Wick		Stud
132584	Looper (right hand) Carrier Connecting	164100	Machine Frame Rotary Shaft Thrust
	Link Hinge Pin Oil Wick		Bearing
132584	Looper (right hand) Carrier Hinge Pin	164101	Machine Frame Top Cover
	Oil Wick	164102	Machine Frame Top Cover Gasket
139026	Machine Frame Rotary Shaft Ball Bearing	164104	Cloth Plate Plunger
140050(803)	Knife (movable) Clamp Screw	164105	Cloth Plate Plunger Spring



Part No.	Description	Part No.	Description
164106	Cloth Plate Position Collar with two 624(830)	164660	Looper (left hand) Carrier Holder with 1083(803), 140393(803) and 140596(830)
164114	Needle Driving Shaft Crank with 1083(803) and two 140596(830)	164661	Looper (left hand) Carrier Holder 164660 with 1324(830), 59456 and 164046
164115	Needle Driving Shaft Crank Ball	164687	Feed (back) Bar with 164010
164121	Oil Cooler Cover	164704-002	Feed Eccentric Cover Bracket
164122	Oil Cooler Cover Gasket	164705-002	Feed Eccentric Cover Bracket 164704-002 with 164023
164123	Oil Cooler Cover 164121 with 164135	164728	Knife (stationary)
164124	Oil Cooler Gasket	164744	Knife (stationary) Clamping Gib
164125	Oil Cooler Oil Pipe (Outlet) (left and right)	164745	Knife (stationary) and Needle Guard Holder Body with two 50611(803)
164132	Machine Frame Oil Drip Sight Gauge Window Gasket	164815	Presser Bar (upright) Spring Spacing Collar
164133	Machine Frame Oil Drip Sight Gauge Window	165058	Needle Guard
164134	Machine Frame Oil Drip Sight Gauge Window Retainer	165059	Needle Guard Holder
164135	Oil Cup (for filling machine)	165062	Knife (stationary) and Needle Guard Holder
164137	Presser Bar Lifting Bracket with 462(830), 624(830) and 51646	165063	Knife (stationary) and Needle Guard Holder (adjustable) complete, Nos. 742(806), 164745 and 165062
164138	Presser Bar Lifting Lever	165064	Knife (stationary) and Needle Guard Holder (adjustable) with Gib, complete, Nos. 3146, 140788(803), 164744 and 165063
164139	Presser Bar Lifting Lever Spring	165134	Feed Bar Slide Block (front)
164141	Presser Bar (swing-out) Lifting Screw Stud	165142	Looper (right hand) Carrier Connecting Link Adjusting Sleeve (not illustrated)
164142	Presser Bar (swing-out) Opening Lever	165145-002	Looper (right hand) Carrier Connecting Link Hinge Pin
164143	Presser Bar (upright)	165145-002	Looper (right hand) Carrier Hinge Pin
164144	Presser Bar (upright) Spring (not illustrated)	165149	Machine Frame Bracket
164145	Presser Foot Body	165150	Machine Frame Bracket 165149 with 164207 and two 187(805)
164146	Presser Foot Chaining-off Finger	165151	Machine Frame Bracket Oil Screen
164147	Presser Foot Clamping Plate	165152	Machine Frame Oil Screen
164149	Presser Foot Guide (not illustrated)	165153	Machine Frame Oil Tube
164150	Presser Foot with Chain Cutter, complete, Nos. 50169(809), 50225(809), 51306(805), 164145, 164146, 164147, 164149, 164220 and 164221	165154	Machine Frame Oil Tube Wick
164155	Tension (heavy) Regulating Thumb Nut	165156	Machine Frame Oil Splash Guard (internal) Oil Wick
164155	Tension (light) Regulating Thumb Nut	165157	Machine Frame Oil Splash Guard (internal) Oil Wick Fastener
164156	Tension (heavy) Screw Stud 50133 with 164155	165159	Machine Frame Wearing Plate
164156	Tension (light) Screw Stud 50133 with 164155	165160	Machine Frame Wearing Plate Spacer
164157	Tension (light) Spring	165170	Machine Frame Rotary Shaft Bushing (front)
164158	Tension (heavy) Spring Cover	165171	Machine Frame Rotary Shaft Bushing (intermediate)
164158	Tension (light) Spring Cover	165173	Oil Reservoir with 165232
164159	Tension (needle thread) Thread Guide	165180	Feed (back) and (front) Bars complete, Nos. 164006, 164007, 164008, 164017, 164018, 164687, 165134, two each 1671(803), 164004 and 164009
164160	Tension (light) complete, Nos. 59537, 164156, 164157, 164158 and two 2102	165182-002	Looper (right hand) Carrier Connecting Link Hinge Pin 165145-002 with 132584
164161	Tension (heavy) Spring	165182-002	Looper (right hand) Carrier Hinge Pin 165145-002 with 132584
164162	Tension (heavy) complete, Nos. 59537, 164156, 164158, 164161 and two 2102	165185	Machine Frame Oil Tube Nos. 165153 and 165154
164163	Thread (looper, right hand) Stripper and Take-up Eyelet (adjustable)	165232	Oil Reservoir Oil Sight Gauge (lucite)
164165	Thread (looper, right hand) Thread Eyelet (stationary)	165237	Oil Reservoir Lint Guard (front)
164166	Thread (looper, right hand) Tube	165238	Machine Frame Rotary Shaft Ball Bearing Housing
164167	Thread (looper) Plate with 624(830)	165239	Machine Frame Rotary Shaft Ball Bearing Housing Gasket
164168	Thread (looper) Plate Cover	165240	Machine Frame Rotary Shaft Bushing (intermediate) Oil Screen
164169	Thread (looper) Plate Cover Hinge	165245	Needle Driving Shaft Crank Connection with 164115
164170	Thread (looper) Plate Cover Hinge Pin	175032	Knife (stationary) and Needle Guard Holder Sleeve Screw Washer
164171	Thread (looper) Plate Cover Spring	931084	Cloth Plate Extension Screw Nut
164173	Thread (looper) Plate Thread Bushing	931089	Lock Washer
164175	Thread (looper) Take-up (left)		Cloth Plate Lock Spring Nut Lock Washer
164176	Thread (looper) Take-up Plate		
164182	Knife (movable) Lever Guide Holder Thread Tube		
164194	Pressure Regulating Thumb Screw		
164202	Looper (left hand) Stop Pin		
164205	Cloth Plate Lock Spring		
164206	Thread (looper) Plate Cover 164168 with 164169 and 164170		
164207	Machine Frame Bracket Key		
164215-001	Looper (left hand) Driving Shaft Crank 164051 with 164052-001		
164216-001	Looper (right hand) Driving Shaft Crank 164066 with 164052-001		
164219	Looper (right hand) Position Collar with 904(830)		
164220	Presser Foot Chain Cutter Friction Plate		
164221	Presser Foot Chain Knife		
164231	Machine Pulley with two 448(830)		
164232	Machine Frame Rotary Shaft Ball Sleeve Guide		
164269	Knife (movable) Lever Hinge Stud Oil Wick (short) (not illustrated)		
164285	Tension (looper thread) Thread Guide (left)		
164286	Tension (looper thread) Thread Guide (right)		
164293	Looper (left hand) Driving Shaft Bushing (back) Cap Screw Washer		
164293	Looper (right hand) Driving Shaft Bushing (back) Cap Screw Washer		
164351	Presser Bar (swing-out) Pivot Screw Locking Plate		
164401	Feed Eccentric Cover Latch Spring		
164416	Presser Bar (upright) Spring (heavy)		
164418	Tension Thread Eyelet		
164449	Thread (looper, right hand) Thread Eyelet (movable)		
164458	Knife (movable) Guard (upper)		
164462	Lint Stripper with 735(830)		
164515-002	Machine Frame Cover (back)		
164516-002	Machine Frame Cover (back) 164515-002 with 1637(819) and 109898(803)		
164520	Feed Eccentric Cover		
164525	Knife (stationary) and Needle Guard Holder Spring Stud		
164555	Thread (looper, right hand) Stripper and Take-up Guide Wire		
164556	Knife (movable)		
164590	Knife (stationary) and Needle Guard Holder Adjusting Stud		

PARTS CHART
FOR
SINGER
460/13
MACHINE