

SINGER
18U222

MACHINE PARTS CHART
for
SINGER*

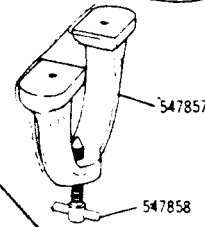
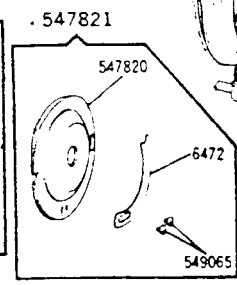
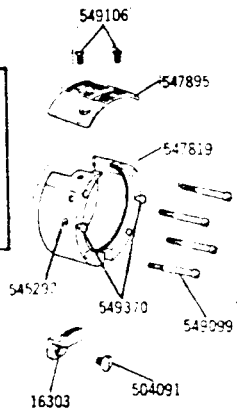
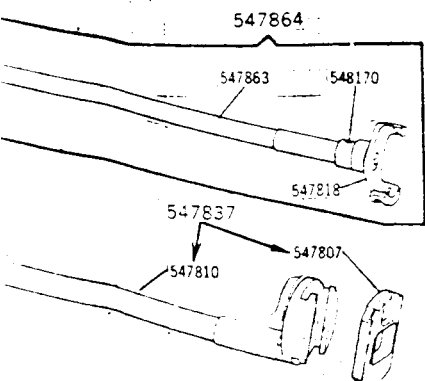
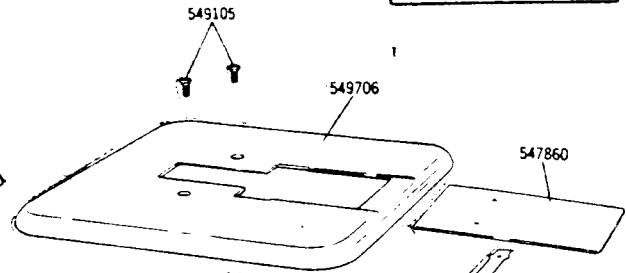
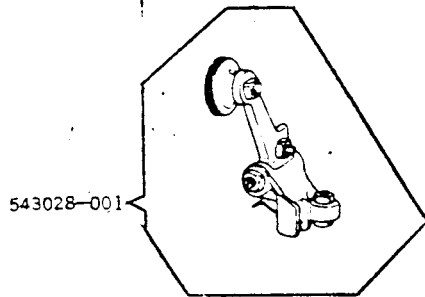
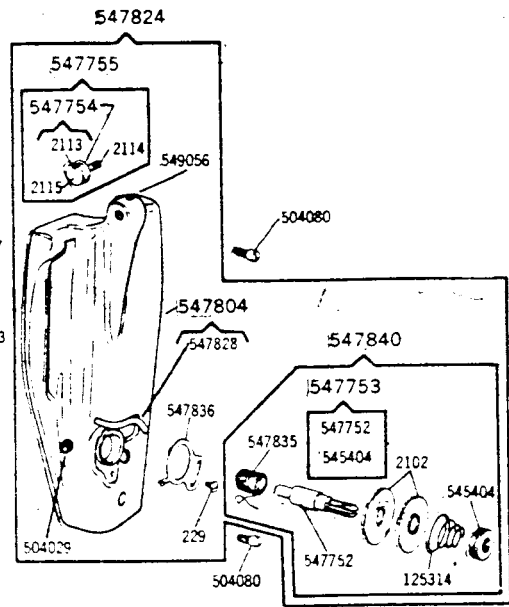
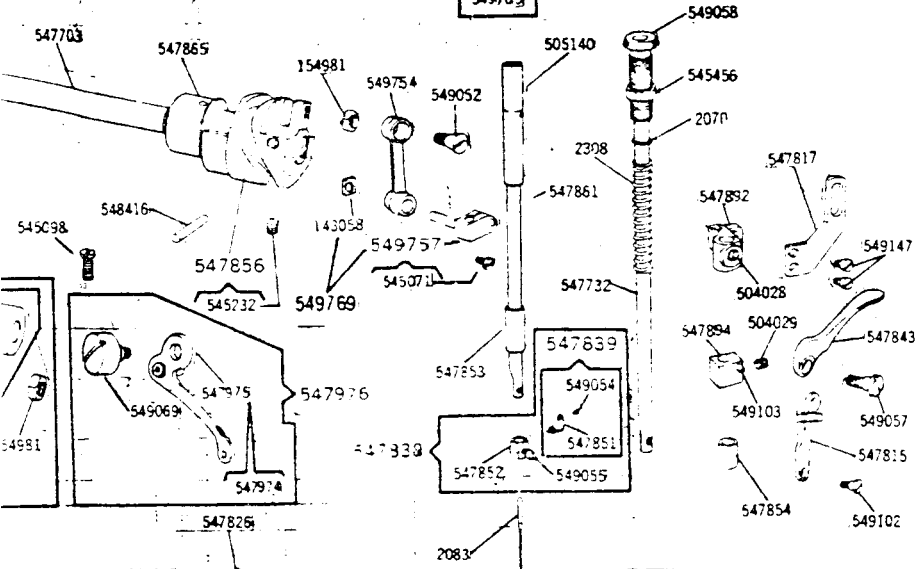
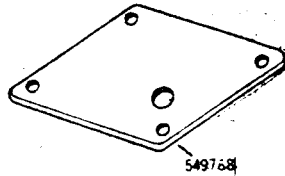
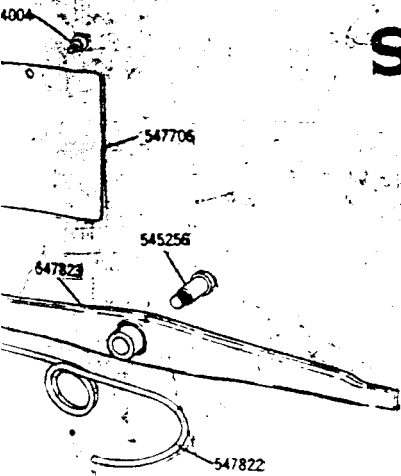
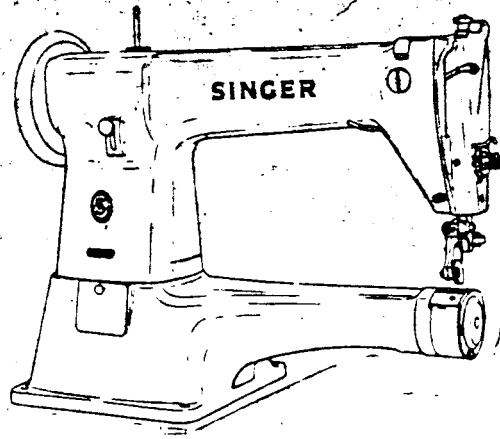
18U222

* A Trademark of THE SINGER COMPANY

© THE SINGER COMPANY 1976

Printed in Japan

SINGER 18U222



NUMERICAL LIST OF PARTS FOR MACHINE 18U222

| <u>PART NO.</u> | <u>DESCRIPTION</u> | <u>PART NO.</u> | <u>DESCRIPTION</u> |
|-----------------|--------------------------------------------------------------------------------------------|-----------------|--------------------------------------------------------------------------------------------------------|
| 229 (839) | Thread Take-up Spring Regulator Plate Adjusting Screw | 547780 | Feed Rock Shaft Crank with 545236 (803) |
| 2070 | Presser Bar Spring Washer | 547790 | Oscillating Shaft Crank Slide Block |
| 2073 | Shuttle Bobbin | 547791 | Oscillating Rock Shaft Oil Pad (felt) |
| 2102 | Tension Disc (2) | 547804 | Face Plate with 547828 |
| 2113 | Thread Retaining Disc Steady Pin | 547805 | Feed Regulator 547809 with 549087 (851) |
| 2114 | Thread Retaining Spring | 547807 | Feed Dog Carrier |
| 2115 | Thread Retaining Stud | 547809 | Feed Regulator |
| 2308 | Presser Bar Spring | 547810 | Feed Rock Shaft |
| 6472 | Shuttle Race Cap Latch | 547811 | Machine Pulley (disc) with two 545382 (850) |
| 12424 | Oscillating Shaft Crank Slide Block Cap Screw Washer | 547815 | Tension Releaser |
| 16333 | Feed Dog | 547817 | Presser Bar Lifter Bracket Lifting Plate |
| 52165 | Feed Connecting Link | 547818 | Shuttle Driver and Feed Lifting Cam |
| 52239 | Arm Spool Pin and Thread Eyelet | 547819 | Shuttle Race |
| 125044 | Crank Connecting Rod Oil Pad (felt) | 547820 | Shuttle Race Cap |
| 125314 | Tension Spring | 547821 | Shuttle Race Cap Complete, Nos. 6472, 547820 and 549065 (810) |
| 139603 | Feed Regulator Hinge Screw Friction Washer | 547822 | Lifting Lever Spring |
| 143058 | Needle Bar Connecting Stud Slide Block | 547823 | Lifting Lever |
| 154759 (850) | Crank Connecting Rod Hinge Screw | 547824 | Face Plate Complete, Nos. 504029 (833), 549056 (833), 547755, 547835, 547840, 547804 and 229 (809) |
| 154759 (850) | Feed Connecting Link Hinge Screw (2) | 547826 | Arm Thread Eyelet |
| 154759 (850) | Feed Forked Connection Hinge Screw | 547828 | Tension Thread Guard |
| 154981 (819) | Crank Connecting Rod Hinge Screw Nut | 548935 | Thread Take-up Spring |
| 154981 (819) | Feed Connecting Link Hinge Screw Nut (2) | 547836 | Thread Take-up Spring Regulator Plate |
| 154981 (819) | Feed Forked Connection Hinge Screw Nut | 547837 | Feed Rock Shaft 547810 with 547807 |
| 154981 (819) | Needle Bar Connecting Link Hinge Screw Nut | 547838 | Needle Clamp (body) 547852 with 549055 (858) and 547839 |
| 504002 (850) | Arm Shaft Bushing (Intermediate) Set Screw | 547839 | Needle Clamp Thread Guide 547851 with 549054 (851) |
| 504002 (850) | Arm Shaft Counterbalance Set Screw | 547840 | Tension Complete, Nos. 125314, 547835, 547753 and two 2102 |
| 504004 (852) | Arm Side Cover Thumb Screw | 547842 | Belt Safety Guard with two 504029 (833) |
| 504004 (852) | Cylinder Side Cover Thumb Screw | 547843 | Presser Bar Lifter |
| 504007 (850) | Feed Rock Shaft Collar Set Screw (2) | 547847 | Feed Forked Connection |
| 504010 (853) | Arm Thread Eyelet Set Screw | 547848 | Feed Forked Connection Complete, Nos. 547847, 52165, 547805 and two each 154759 (850) and 154981 (819) |
| 504028 (803) | Presser Bar Lifter Bracket Set Screw | 547851 | Needle Clamp Thread Guide |
| 504029 (833) | Belt Safety Guard Set Screw (2) | 547852 | Needle Clamp (body) |
| 504029 (850) | Feed Cam Set Screw | 547853 | Needle Bar Bushing (lower) |
| 504029 (833) | Tension Screw Stud Set Screw | 547854 | Presser Bar Bushing |
| 504029 (833) | Tension Releaser Collar Set Screw | 547855 | Cylinder Side Cover |
| 504064 (805) | Arm Screw (3) | 547856 | Thread Take-up Cam with 545232 (833) |
| 504071 (833) | Crank Connecting Rod Cap Screw (2) | 547861 | Needle Bar (hollow) |
| 504080 (851) | Face Plate Screw (2) | 547862 | Arm Shaft Counterbalance |
| 504091 (803) | Feed Dog Screw | 547863 | Oscillating Shaft |
| 504101 (830) | Belt Safety Guard Shaft Set Screw | 547864 | Oscillating Shaft 547863 with 547774, 547818 and 548170 |
| 504504 (819) | Oscillating Rock Shaft Hinge Pin Lock Nut | 547865 | Arm Shaft Bushing (front) |
| 505001 | Arm Dowel Pin (2) | 547888 | Arm Shaft 547703 with 549742, 547856, 548416, 547862 and 504002 (850) |
| 505008 | Arm Spool Pin Washer (felt) | 547892 | Presser Bar Lifter Bracket with 504028 (803) |
| 505140 | Needle Bar Bushing (upper) | 547894 | Tension Releaser Collar with 549103 and 504029 (833) |
| 543028-001 | Roller Presser Complete (1-1/4 in. fine roller) | 547895 | Throat Plate |
| 545056 (833) | Oscillating Shaft Crank Set Screw | 547961 | Belt Safety Guard Shaft |
| 545071 (853) | Needle Bar Connecting Stud Set Screw | 547974 | Thread Take-up Lever Roller Stud Complete, |
| 545094 (850) | Thread Take-up Lever Hinge Screw Set Screw | 547975 | Thread Take-up Lever with 547974 |
| 545232 (833) | Arm Shaft Bushing (back) Set Screw | 547976 | Thread Take-up Lever 547975 with 549069 (851) |
| 545232 (833) | Thread Take-up Cam Set Screw | 548170 | Oscillating Shaft Crank Pin |
| 545236 (803) | Feed Rock Shaft Crank Set Screw | 548170 | Shuttle Driver and Feed Lifting Cam Pin |
| 545256 (850) | Lifting Lever Hinge Screw | 548416 | Thread Take-up Cam Pin |
| 545284 (802) | Arm Shaft Screw | 549051 (803) | Feed Rock Shaft Crank Position Screw |
| 545292 (803) | Shuttle Race Cap Screw Locking Screw (2) | 549052 (803) | Needle Bar Connecting Link Hinge Screw |
| 545382 (850) | Machine Pulley Set Screw (2) | 549054 (851) | Needle Clamp Thread Guide Screw |
| 545404 (852) | Tension Disc Regulating Thumb Nut | 549055 (858) | Needle Clamp Screw |
| 545456 (851) | Pressure Regulating Thumb Screw Lock Nut | 549056 (833) | Thread Retaining Stud Set Screw |
| 547703 | Arm Shaft | 549057 (810) | Presser Bar Lifter Hinge Screw |
| 547706 | Arm Side Cover | 549058 (851) | Pressure Regulating Thumb Screw |
| 547707 | Crank Connecting Rod with 125044 and two 504071 (833) | 549065 (810) | Shuttle Race Cap Latch Screw (2) |
| 547725 | Oscillating Rock Shaft with 547791 | 549069 (851) | Thread Take-up Lever Hinge Screw |
| 547726 | Oscillating Rock Shaft Complete, Nos. 547725 with 547728 | 549074 (803) | Feed Regulator Hinge Screw |
| 547727 | Oscillating Rock Shaft Hinge Pin | 549083 (809) | Oscillating Shaft Crank Slide Block Cap Screw |
| 547728 | Oscillating Rock Shaft Hinge Pin 547727 with 504504 (819) | 549087 (851) | Feed Regulator Thumb Screw |
| 547731 | Oscillating Shaft Crank with Slide Block Screw Stud | 549099 (810) | Shuttle Race Screw (4) |
| 547732 | Presser Bar | 549102 (810) | Tension Releaser Hinge Screw |
| 547744 | Shuttle Bobbin 2073 with 547772 | 549103 (810) | Tension Releaser Collar Screw Pin |
| 547752 | Tension Screw Stud | 549106 (806) | Throat Plate Screw (2) |
| 547753 | Tension Screw Stud 547752 with 545404 (856) | 549147 (803) | Presser Bar Lifter Bracket Lifting Plate Set Screw (2) |
| 547754 | Thread Retaining Disc with 2113 | 549370 (810) | Shuttle Race Cap Screw (2) |
| 547755 | Thread Retainer Guide Complete, Nos. 547754 2114 and 2115 | | |
| 547767 | Arm Shaft Bushing (intermediate) | | |
| 547769 | Arm Shaft Bushing (back) | | |
| 547772 | Shuttle Body with Cover | | |
| 547774 | Oscillating Shaft Crank Complete, Nos. 547731 547790, 549083 (809), 12424 and 545056 (833) | | |

NUMERICAL LIST OF PARTS FOR MACHINE 18U222

| <u>PART NO.</u> | <u>DESCRIPTION</u> | <u>PART NO.</u> | <u>DESCRIPTION</u> |
|-----------------|-----------------------------------------------|-----------------|--------------------|
| 549742 | Feed Can with 504029 (850) | | |
| 549751 | Feed Rock Shaft Collar with 504007 (2) (850) | | |
| 549754 | Needle Bar Connecting Link | | |
| 549755 | Needle Bar Connecting Link 549754 with 549796 | | |
| 549757 | Needle Bar Connecting Stud with 545071 (819) | | |
| 549768 | Machine Bed Cushion | | |
| 549769 | Needle Bar Connecting Stud 549757 with 143058 | | |
| CAT. 2083 | Needle (16x2, #14) (1) | | |

ACCESSORIES

(Supplied with Machine)

| | |
|--------------|----------------------------------------------------------------------------------------------|
| CAT. 2083 | Needle (16x2, #14) (6) |
| 2073 | Shuttle Bobbin (4) |
| 2180 | Presser Foot |
| 4918 | Wrench (for 545456) |
| 6053 | Drip Pan |
| 6055 | Machine Bolt Washer (4) |
| 505656-001 | Thread Unwinder (for two spools) Complete (Include three Wood Screw) (Purchased Assembly) |
| 541513 | Screw Driver (Large) |
| 541514 | Screw Driver (small) |
| 545464 (809) | Machine Bolt Nut (4) |
| 546923 | Oilder (filled with Singer Type "B" Oil) |
| 547766 | Machine Bolt 549071 with 545464 and 6055 (4) |
| 547845-001 | Universal Bobbin Winder Complete (Include two Wood Screws) (Purchased Assembly) |
| 547846 | Wrench (for 545454 and 545455) |
| 547930 | Wrench (for 154981) |
| 549071 (809) | Machine Bolt (4) |

KNEE LIFTER PARTS

(Fitted to Machine)

| | |
|--------------|-------------------------------------------------------------------------------------------------------------------|
| 6338 | Rock Shaft Lifting Bracket Hook |
| 504105 (809) | Rock Shaft Knee Arm Hub Set Screw |
| 504105 (809) | Rock Shaft Knee Plate Set Screw |
| 504105 (809) | Rock Shaft Lifting Bracket Hook Set Screw |
| 504105 (809) | Rock Shaft Lifting Bracket Set Screw |
| 504105 (809) | Rock Shaft Stop Dog Set Screw (2) |
| 504510 (809) | Rock Shaft Knee Arm Clamping Nut |
| 505397 | Rock Shaft |
| 505398 | Rock Shaft Hanger (2) |
| 505400 | Rock Shaft Knee Arm Hub with 504105 (809) |
| 505402 | Rock Shaft Knee Plate with 504105 (809) |
| 505651 | Rock Shaft Stop Dog with two 504105 (809) (2) |
| 547829 | Presser Bar Lifter Lever Chain |
| 547830 | Rock Shaft Complete, Nos. 505397, 547832, 547833, two each 505651 and 505398 and four Wood Screws (1 in., No. 10) |
| 547831 | Rock Shaft Knee Arm |
| 547832 | Rock Shaft Knee Arm Complete, Nos. 504510 (809) 547831, 505400 and 505402 |
| 547833 | Rock Shaft Lifting Bracket with 6338 and two 504105 (809) |
| 49295 | Wood Screw (1" No. 10) (4) |

CLOTH PLATE

(Optional Parts)

| | |
|--------------|------------------------------------|
| 547849 | Cloth Plate Slide Spring |
| 547857 | Cloth Plate Bracket |
| 547858 (810) | Cloth Plate Bracket Set Screw |
| 547860 | Cloth Plate Slide |
| 549105 (853) | Cloth Plate Screw (2) |
| 549148 (832) | Cloth Plate Slide Spring Screw (2) |
| 549706 | Cloth Plate |