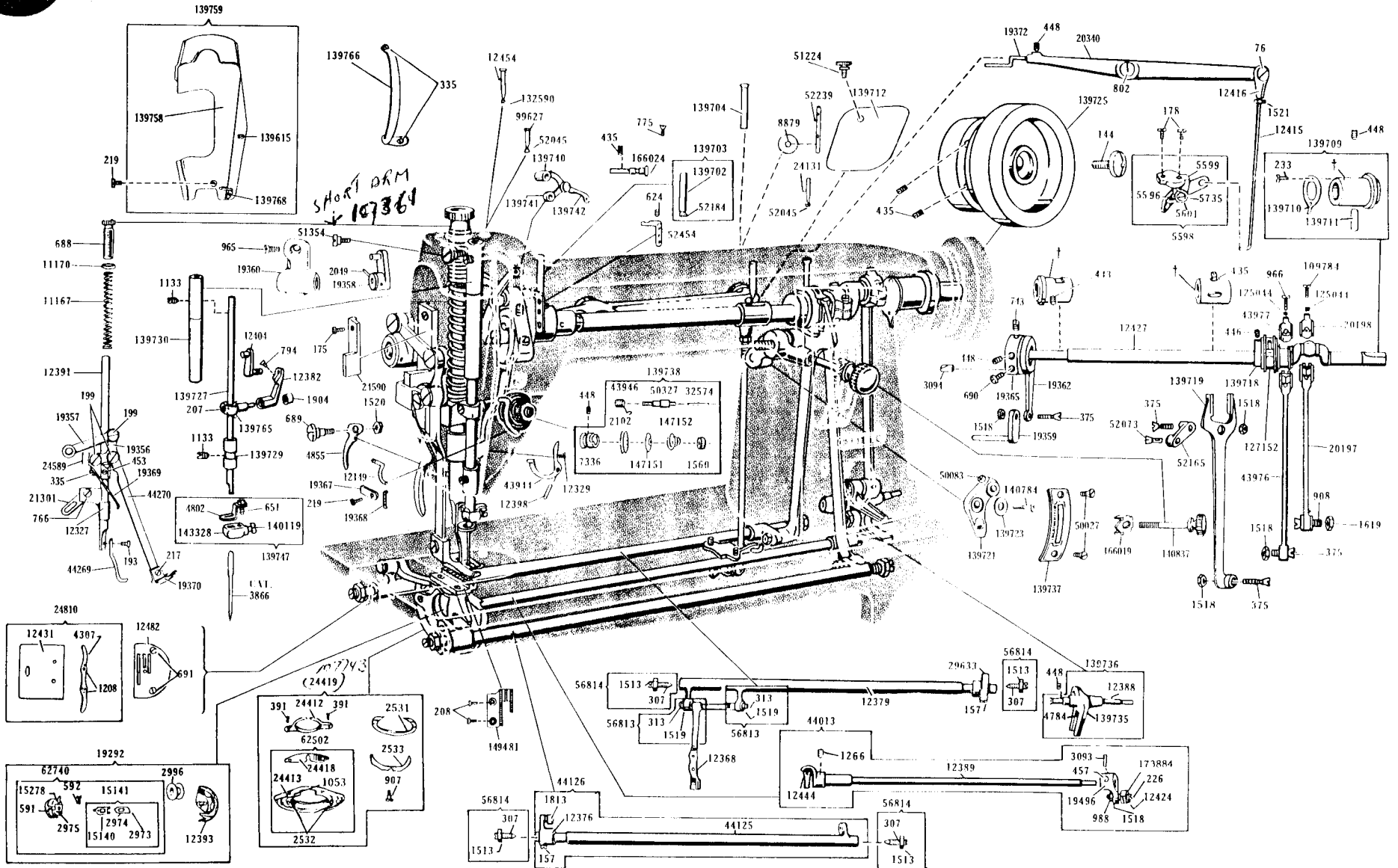


**SINGER**  
**331K5**



# SINGER 331K5



† Not supplied to Agencies

Numerical List of Parts  
for  
Singer 331K5 Machine

Part No.	Description	Part No.	Description
76(819)	Knee or Foot Lifter Lifting Lever Connecting Rod Joint Hinge Screw	15140	Shuttle Bobbin Case Latch
144(803)	Arm Shaft Screw	15141	Shuttle Bobbin Case Hinge, Nos. 2973, 2974 and 15140
157(813)	Feed Lifting Rock Shaft Crank Clamping Screw	15278	Shuttle Tension Spring
157(813)	Feed Rock Shaft Crank Clamping Screw	19292	Shuttle, 1-11/16" diam., complete, Nos. 2996, 12393 and 62740
175(804)	Lifting Presser Bar Guide Bracket Support Screw	19356	Lifting Presser Bar Bell Crank
175(805)	Knee or Foot Lifter Bell Crank Bracket Screw	19357	Lifting Presser Bar Bell Crank Connecting Link
193(809)	Lifting Presser Foot Screw	19358	Lifting Presser Bar Bell Crank Driving Arm
199(809)	Lifting Presser Bar Bell Crank Connecting Link Cap Screw	19359	Lifting Presser Bar Bell Crank Driving Arm Shaft
199(809)	Lifting Presser Bar Guide Bracket Cap Screw	19360	Lifting Presser Bar Bell Crank Driving Arm Shaft Bracket
199(809)	Vibrating Presser Bar Cap Screw	19362	Lifting Presser Bar Bell Crank Driving Arm Eccentric Connection
207(805)	Needle Bar Connecting Stud Clamping Screw	19365	Needle Bar Crank and Lifting Eccentric with 448(830) and 743(830)
208(830)	Feed Dog Screw	19367	Vibrating Presser Bar Cap
217(809)	Vibrating Presser Foot Screw	19368	Vibrating Presser Bar Cushion (rawhide)
219(809)	Face Plate Screw (lower)	19369	Vibrating Presser Bar Spring
219(809)	Vibrating Presser Bar Cap Screw	19370	Vibrating Presser Foot
226(804)	Oscillating Shaft Crank Slide Block Cap Screw	19372	Knee or Foot Lifter Lifting Lever Pin
233(805)	Arm Shaft Flanged Bushing (back) Oil Drip Screw	19496	Oscillating Shaft Crank
307(803)	Feed Lifting Rock Shaft Screw Centre	20197	Crank Connecting Rod with 20198, 125044 and two Crank Connecting Rod with 20198, 125044 and two 109784(805)
313(803)	Feed Bar Screw Centre	20198	Crank Connecting Rod Cap
335(809)	Vibrating Presser Bar Spring Screw	NOTE:	Part No. 20198 cannot be supplied individually. Orders must specify No. 20197.
335(813)	Thread Take-up Lever Guard Screw	20340	Knee or Foot Lifter Lifting Lever with 448(830)
375(803)	Feed Connecting Link Hinge Screw	21301	Knee or Foot Lifter Lifting Lever Link
375(803)	Feed Forked Connection Hinge Screw	24131	Arm Oil Tube with 52045
375(803)	Feed Lifting Rock Shaft Crank Connecting Rod Hinge Screw	24412	Shuttle Bobbin Case Position Plate
375(803)	Lifting Presser Bar Bell Crank Driving Arm Eccentric Connection Hinge Screw	24413	Shuttle Race Body
391(813)	Shuttle Bobbin Case Position Plate Screw	24418	Shuttle Race Cap
435(830)	Arm Shaft Bushing (Intermediate) Set Screw	24419	Shuttle Race, complete, Nos. 9071(804), 2531, 2533, 24412, 62902, two each 3911(813) and 2532
435(830)	Machine Pulley Set Screw	24589	Lifting Presser Bar Guide Bracket with 453(830)
435(830)	Thread Take-up Lever Link Hinge Pin Set Screw	24590	Lifting Presser Bar Guide Bracket Support
443(830)	Arm Shaft Bushing (front) Set Screw	24810	Shuttle Race Slide, complete, Nos. 4307, 12431(819), and two 1208(819)
446(830)	Feed and Feed Lifting Eccentric Set Screw	25633	Feed Rock Shaft Crank with 157(813)
448(830)	Arm Shaft Flanged Bushing (back) Set Screw	32574	Tension Releasing Pin
448(830)	Knee or Foot Lifter Lifting Lever Pin Set Screw	43944	Tension Releasing Lever
448(830)	Needle Bar Crank and Lifting Eccentric Set Screw	43946	Thread Take-up Spring
448(830)	Oscillating Rock Shaft Hinge Pin Set Screw	43976	Feed Lifting Rock Shaft Crank Connecting Rod with 43977, 125044 and two 966(805)
448(830)	Thread Take-up Spring Regulator Set Screw	43977	Feed Lifting Rock Shaft Crank Connecting Rod Cap
453(830)	Lifting Presser Bar Guide Bracket Set Screw	NOTE:	Part No. 43977 cannot be supplied individually. Orders must specify No. 43976.
457(830)	Oscillating Shaft Crank Set Screw	44013	Oscillating Shaft 12389 with 12444 and 19447
591(806)	Shuttle Tension Regulating Screw	44125	Feed Lifting Rock Shaft
592(805)	Shuttle Bobbin Case Latch Stop Screw	44126	Feed Lifting Rock Shaft, complete, Nos. 12376 and 44125
624(830)	Thread Retainer Set Screw	44141	Tension Screw Stud 50327(803) with 1560(803) (for Agents only)
651(804)	Needle Bar Thread Guide Screw	44269	Lifting Presser Foot
688(809)	Pressure Regulating Thumb Screw	44270	Vibrating Presser Bar
689(803)	Lifting Presser Bar Lifter Screw	50027(819)	Stitch Indicator Plate Screw
690(805)	Thread Take-up Crank Wedge Screw	50083(830)	Feed Connecting Link Hinge Stud Set Screw
691(850)	Throat Plate Screw	50327(803)	Tension Screw Stud
743(830)	Needle Bar Crank and Lifting Eccentric Position Screw	NOTE:	Part No. 50327 cannot be supplied individually. Orders must specify No. 44141.
766(804)	Knee or Foot Lifter Lifting Lever Link Hinge Screw	51224(818)	Arm Side Cover Thumb Screw
775(805)	Thread Take-up Lever Cap Screw	51354(803)	Face Plate Screw (upper)
794(805)	Needle Bar Connecting Link Adjusting Screw	52745	Arm Oil Tube Packing (braided cotton)
802(819)	Knee or Foot Lifter Lifting Lever Hinge Screw	52073	Feed Connecting Link Hinge Stud
907(804)	Shuttle Race Back Spring Screw	52165	Feed Connecting Link
908(803)	Crank Connecting Rod Hinge Screw	52184	Arm Oil Tube Packing (wick)
965(804)	Lifting Presser Bar Bell Crank Driving Arm Shaft Bracket Screw	52235	Arm Spool Pin and Thread Eyelet
966(805)	Feed Lifting Rock Shaft Crank Connecting Rod Cap Screw	52454	Thread Retainer
988(803)	Oscillating Shaft Crank Slide Block Screw Stud	56813	Feed Bar Screw Centre 313(803) with 1519(805)
1053(804)	Shuttle Race Cap Screw	56814	Feed Lifting Rock Shaft Screw Centre 307(803) with 1513(809) 1513(805)
1133(830)	Needle Bar Bushing (lower) Set Screw	56814	Feed Rock Shaft Screw Centre 307(803) with 1513(809)
1133(830)	Needle Bar Bushing (upper) Set Screw	62502	Shuttle Race Body 24413 with 24418 and two 10531(804)
1208(819)	Shuttle Race Slide Spring Screw	62740	Shuttle Bobbin Case with 591(806), 592(805), 2975, 15141 and 15278
1266(803)	Shuttle Driver Set Screw	96627	Arm Oil Tube with 52045
1513(809)	Feed Lifting Rock Shaft Screw Centre Nut	109784(805)	Crank Connecting Rod Cap Screw
1513(809)	Feed Rock Shaft Screw Centre Nut	125044	Crank Connecting Rod Oil Pad (felt)
1518(805)	Feed Connecting Link Hinge Screw Nut	125044	Feed Lifting Rock Shaft Crank Connecting Rod Oil Pad (felt)
1518(809)	Feed Forked Connection Hinge Screw Nut	127152	Feed and Feed Lifting Eccentric Sleeve
1518(809)	Feed Lifting Rock Shaft Crank Connecting Rod Hinge Screw Nut	132590	Arm Oil Tube Packing (braided cotton)
1518(809)	Feed Lifting Rock Shaft Crank Connecting Rod Hinge Screw Nut	139615	Face Plate Thread Guard (upper), complete, (for Agents only)
1518(809)	Lifting Presser Bar Bell Crank Driving Arm Eccentric Connection Hinge Screw Nut	139702	Arm Oil Tube
1518(809)	Oscillating Shaft Crank Slide Block Screw Stud Nut	139703	Arm Oil Tube 139702 with 52184
1519(805)	Feed Bar Screw Centre Nut	139704	Arm Oil Tube
1520(813)	Lifting Presser Bar Lifter Screw Nut	139709	+ Arm Shaft Bushing (front)
1521(805)	Knee or Foot Lifter Lifting Lever Connecting Rod Lock Nut	139710	+ Arm Shaft Bushing (intermediate)
1560(803)	Tension Regulating Thumb Nut	139711	+ Arm Shaft Flanged Bushing (back)
NOTE:	Part No. 1560 cannot be supplied individually. Orders must specify No. 44141.	139712	+ Arm Shaft Flanged Bushing (back) with 233(805), 139710 and 139711
1619(805)	Crank Connecting Rod Hinge Screw Nut	139718	Arm Shaft Flanged Bushing (back) Oil Drip
1813	Feed Lifting Rock Shaft Crank Roller and Stud	139719	Arm Shaft Flanged Bushing (back) Oil Pad
1904	Needle Bar Connecting Stud Roller (trailer only)	139721	Arm Side Cover
2049	Lifting Presser Bar Bell Crank Driving Arm Pin	139722	Feed and Feed Lifting Eccentric with 446(830)
2102	Tension Disc	139723	Feed Forked Connection
2531	Shuttle Race Back	139724	Feed Regulator with 50083(803)
2532	Shuttle Race Back Position Pin	139725	Feed Regulator Hinge Screw Friction Washer
2533	Shuttle Race Back Spring	139727	Machine Pulley (disc) "V" Belt Groove (diam. of belt groove 2.9") with two 435(830) for Latin America, Orient and United States.
2973	Shuttle Bobbin Case Latch Lever	139729	Machine Pulley (disc, heavy rim) "V" Belt Groove (diam. of belt groove 2.9") with two 435(830)
2974	Shuttle Bobbin Case Latch Lever Fulcrum Pin	139730	Needle Bar (hollow)
2975	Shuttle Bobbin Case Latch Spring	139731	Needle Bar Bushing (lower)
2996	Shuttle Bobbin	139732	Needle Bar Bushing (upper)
3093	Oscillating Shaft Crank Pin	139735	Oscillating Rock Shaft
3094	Thread Take-up Crank Wedge	139736	Oscillating Rock Shaft, complete, Nos. 4784, 12388 and 139735
4307	Shuttle Race Slide Spring	139737	Stitch Indicator Plate
4784	Oscillating Rock Shaft Oil Pad	139738	Tension, complete, Nos. 7336, 32574, 43946, 44141, 147151, 147152 and two 2102
4802	Needle Bar Thread Guide	139740	Thread Take-up Lever with 139742
4855	Lifting Presser Bar Lifter	139741	Thread Take-up Lever Link
5596	Knee or Foot Lifter Bell Crank	139742	Thread Take-up Lever Thread Eyelet Bushing
5598	Knee or Foot Lifter Bell Crank 5596 with 5599, 5601 and 9735	139747	Needle Clamp, complete, Nos. 6511(804), 4802 and 143328
5599	Knee or Foot Lifter Bell Crank Bracket	139758	Face Plate
5601	Knee or Foot Lifter Bell Crank Hinge Pin	139759	Face Plate, complete, Nos. 139615, 139758 and 139768
5735	Knee or Foot Lifter Bell Crank Spring	139765	Needle Bar Connecting Stud with 207(805)
7336	Thread Take-up Spring Regulator	139766	Thread Take-up Lever Guard
8879	Arm Spool Pin Washer (felt)	139768	Face Plate Thread Guard (lower), complete (for Agents only)
11167	Lifting Presser Bar Spring (light)	140119(830)	Needle Clamp Screw
11170	Lifting Presser Bar Spring Washer	140784(803)	Feed Regulator Hinge Screw
12149	Tension Thread Guard	140837(818)	Feed Regulator Thumb Screw
12327	Lifting Presser Bar Lifting and Releasing Lever Bracket	143328	Needle Clamp with 140119(830)
12329	Tension Releasing Lever Spring	147151	Tension Releasing Disc
12368	Feed Bar	147152	Tension Spring
12376	Feed Lifting Rock Shaft Crank with 157(813) and 1813	149481	Feed Dog
12379	Feed Rock Shaft	166019	Stitch Indicator
12382	Needle Bar Connecting Link with 794(805)	166024	Thread Take-up Lever Link Hinge Pin
12388	Oscillating Rock Shaft Hinge Pin	173884	Oscillating Shaft Crank Slide Block.
12389	Oscillating Shaft		
12391	Lifting Presser Bar (hollow)		
12393	Shuttle Body		
12398	Tension Releasing Lever Hinge Pin		
12404	Thread Take-up Crank		
12419	Knee or Foot Lifter Lifting Lever Connecting Rod		
12416(813)	Knee or Foot Lifter Lifting Lever Connecting Rod Joint		
12424	Oscillating Shaft Crank Slide Block Cap Screw Washer		
12427	Arm Shaft		
12431(819)	Shuttle Race Slide		
12444	Shuttle Driver with two 1266(803)		
12454	Arm Oil Tube with 132590		
12482(850)	Throat Plate		

\*Not Supplied to Agencies.