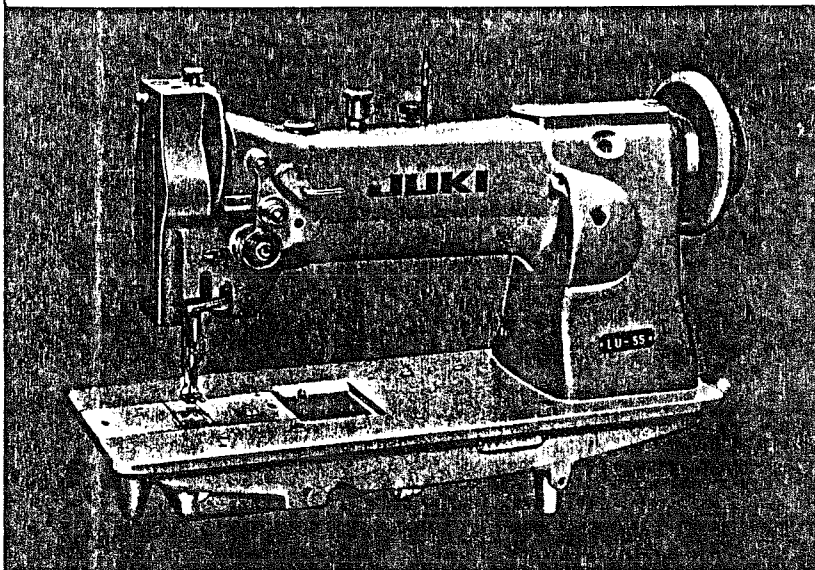


STOP

**LU-55**  
**LU-53**

**PARTS LIST OF MODEL**

*High Speed, Single Needle, Lock Stitch, UNISON FEED Industrial Sewing Machine*



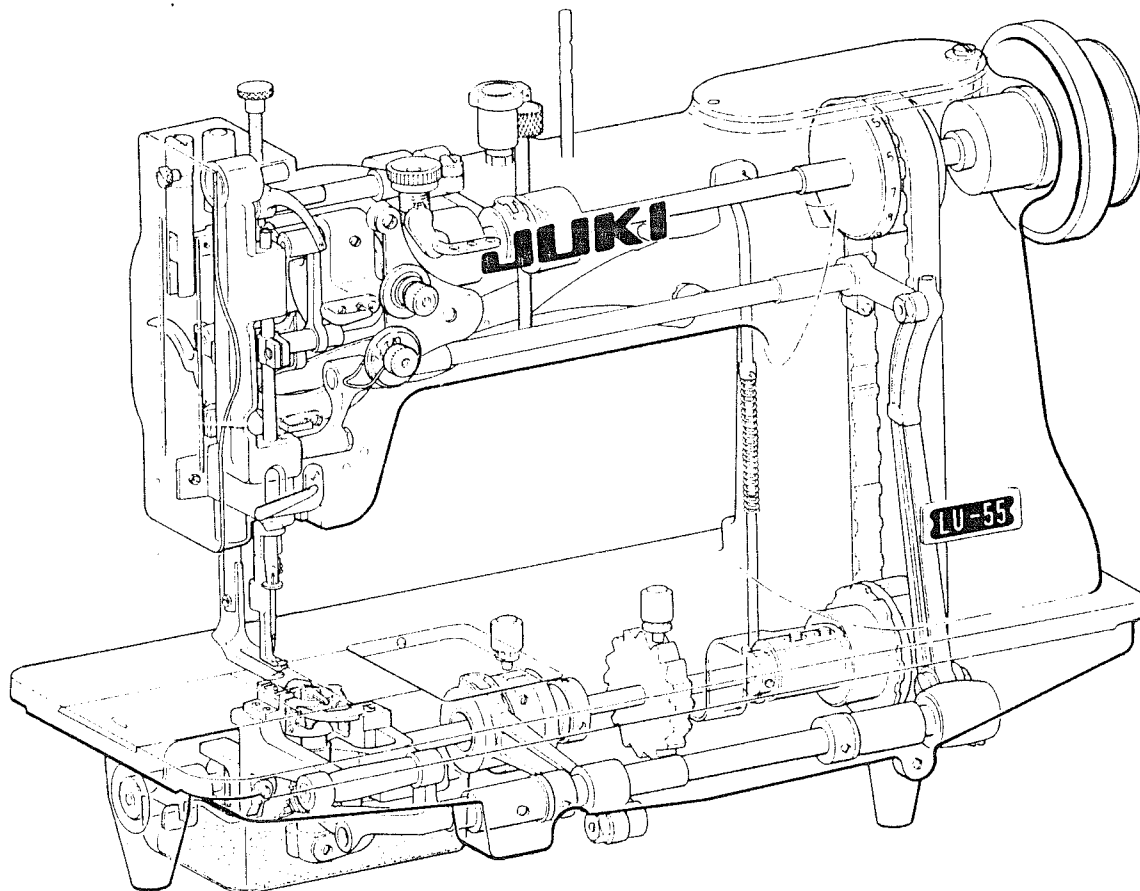
# HOW TO MAKE USE OF THIS PARTS LIST

1. This is a consolidated PARTS LIST of Model LU-55. 53
2. This list is divided, as a principle, into various sections according to the functions of parts and also contains illustrations to assist you visually.  
For example: If you want some parts for the Upper Main Shaft Components, just refer to the section on 'UPPER MAIN SHAFT Components' etc.
3. Numbers in the first column are reference numbers only, and merely indicate the position of that part in the illustration. Reference numbers should never be used in ordering parts. Always use the part number listed in the second column.
4. At the back of the list will be found a numerical index of all the parts shown in this list. This will facilitate locating the illustration and description when only the part number is known.

NOTE: The large Gothic number on the top line of Reference No. are the new, current parts numbers.

The small parts number shown just below this line is now obsolete.

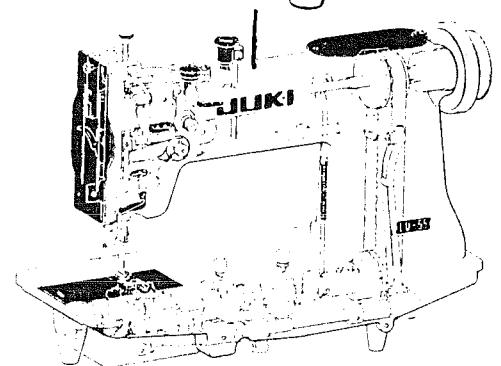
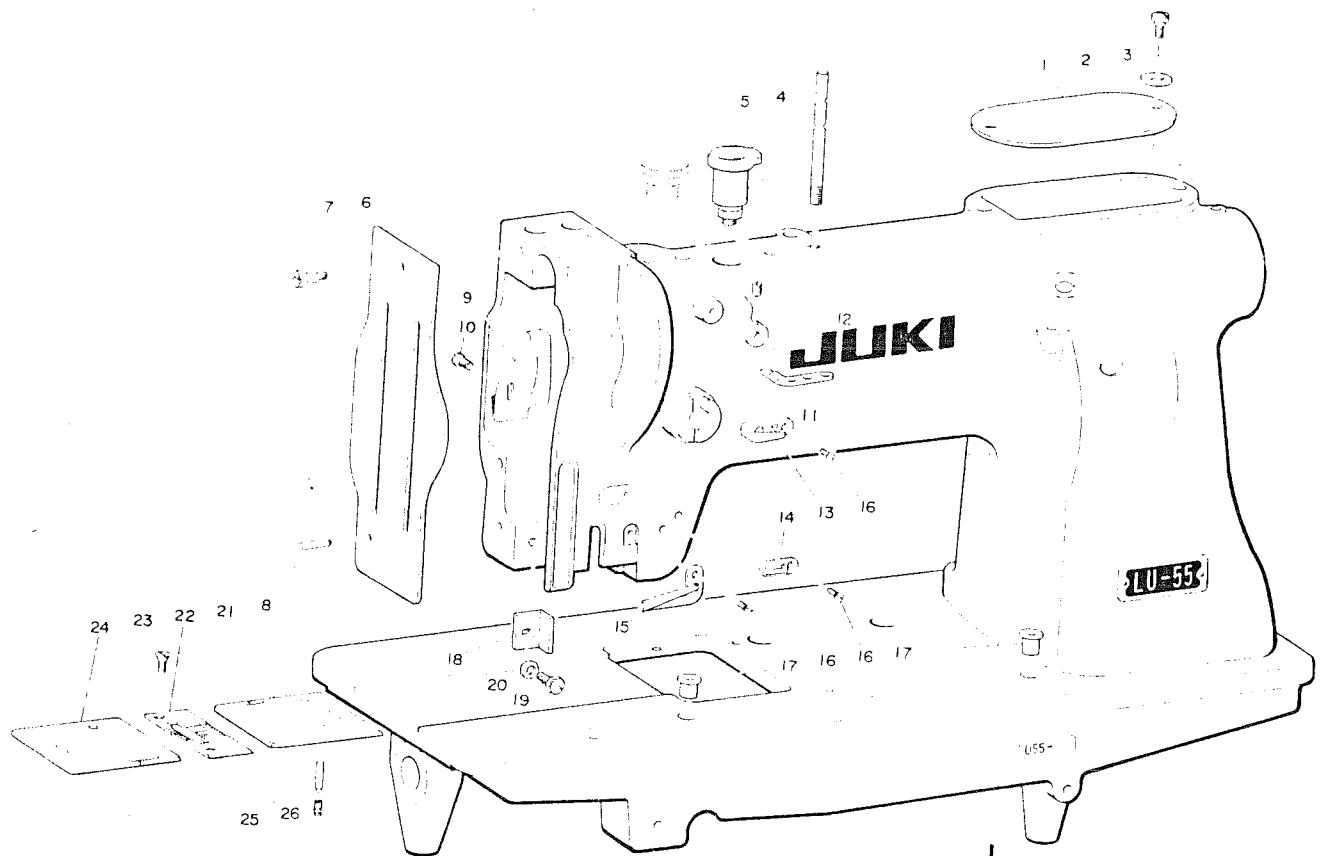
For example: Ref. No. 1 B-1204-051-000 ..... New number  
511204 ..... Obsolete Number



## CONTENTS

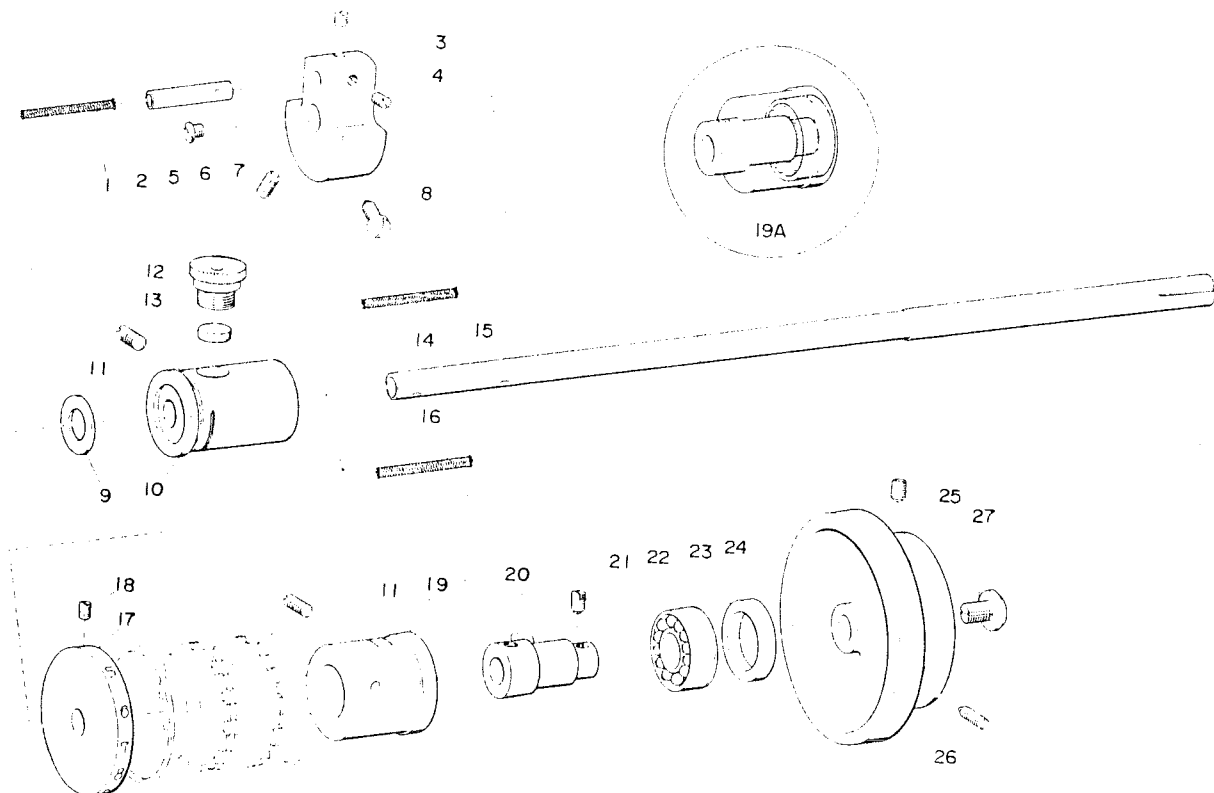
	Page
1 MAIN FRAME & MISCELLANEOUS COVER COMPONENTS . . . . .	1
2 UPPER MAIN SHAFT COMPONENTS . . . . .	2
3 NEEDLE BAR FRAME COMPONENTS . . . . .	3
4 VIBRATING PRESSER BAR ROCK SHAFT COMPONENTS . . . . .	4
5 PRESSER BAR & KNEE LIFTER COMPONENTS . . . . .	5
6 SAFETY CLUTCH MECHANISM COMPONENTS . . . . .	6
7 SAFETY CLUTCH MECHANISM COMPONENTS, EXCLUSIVE FOR MODEL LU-53 . . . . .	7
8 FEED ROCK SHAFT COMPONENTS . . . . .	8
9 FEED ROCK SHAFT COMPONENTS, EXCLUSIVE FOR MODEL LU-53 . . . . .	9
10 SEWING HOOK SHAFT COMPONENTS . . . . .	10
11 THREAD CONTROLLER COMPONENTS . . . . .	11
12 NUMERICAL INDEX OF PARTS . . . . .	12

# MAIN FRAME & MISCELLANEOUS COVER COMPONENTS



Ref. No.	Part No.	Description	Amt. Req.	Ref. No.	Part No.	Description	Amt. Req.
1	B 1150-051-000 511150	Top cover	1	15	B 1131-051-000 511131	Frame thread guide, lower	1
2	B 1152-051-000 511152	. . . Washer	1	16	SS 2090710-SP 0904ph	. . . Screw	4
3	SD 0630241 SD D06301	. . . Screw	1	17	B 1157-009-000 91157	Bed oil cup	2
4	B-1114-051-000 511114	Needle thread guide pin	1	18	B-1423-051-000 511423	Needle bar frame guide	1
5	B-1155-053-000 531155	Oil cup	1	19	SS 9111010 SK 1182fh	. . . Screw	1
6	B 3101-053-000 533101	Face plate	1	20	WP-0480856-SP W481ph	. . . Washer	1
7	B-3106-019-000 193106	. . . Screw	1	21	B 1113-053-000 531113	Bed slide, right	1
8	B-1103-051-000 511103	. . . Pin	1	22	B 1109-053-000 531109	Throat plate	1
9	B-1140-051-000 511140	Thread take-up oil splasher	1	23	SS 2110910-SP 1101ph	. . . Screw	1
10	SS-3090610-SP 0978ph	. . . Screw	1	24	B-1112-053-000 531112	Bed slide, left	1
11	B-1128-051-000 511128	Three-hole thread eyelet	1	25	B 1105-051-000 511102(2)	Pin, for bed slide, right	1
12	SS-8110510-SP 1151ph	. . . Screw	1	26	B 1106-051-000 511102(3)	. . . Spring	1
13	B-1129-051-000 511129	Frame thread guide, upper	1	27	B 1104-051-000 511102(1)	Pin, for throat plate	1
14	B-1130-051-000 511130	Frame thread guide, middle	1				

# UPPER MAIN SHAFT COMPONENTS



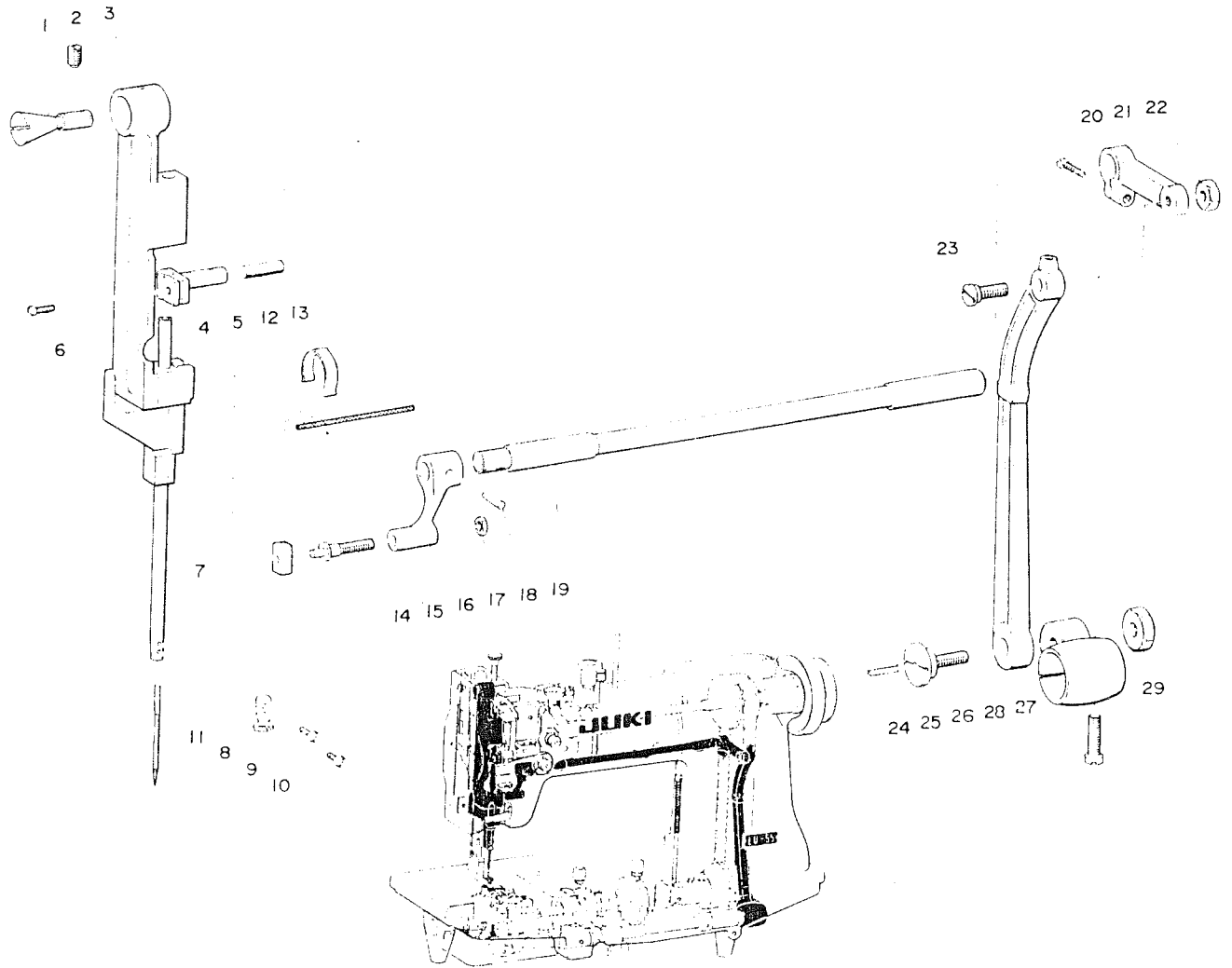
Ref. No.	Part No.	Description	Amt. Req.
1	B 1204-051 000 511204	Needle bar crank pin oil wick	1
2	B-1210-051-000 511210	Needle bar crank pin	1
3	SS-8688053-SK 6857fh	. . . Screw (1)	1
4	SS-8680730 SK 6853fh	. . . Screw (2)	1
5	B-1207-051-000 511207	Plug screw, for upper main shaft	1
6	B-1206-051-000 511206	Counterweight	1
7	SS 8681650 TP 6851ph	. . . Screw	1
8	SS-7681750 TP 6822ph	. . . Screw (S)	1
9	B-1205-051-000 511205	Thrust washer, for front bushing	1
10	B-1202-051-000 511202	Upper main shaft front bushing	1
11	SS-8151350-SP 1551ph	. . . Screw	2
12	B-3501-051-000 513501	. . . Oil filler sleeve	1
13	B-1203-051-000 511203	. . . Oil felt	1
14	B-1204-051-000 511204	. . . Oil wick	1
*15	B-1201-051-000 511201	Upper main shaft	1
16	B-1204-051-000 511204	. . . Oil wick	1
17	B-1220-055-M00	Stitch graduator	1
18	SS-8151230-SP 1557ph	. . . Screw	2
19	B-1216-051-000 511216	Upper main shaft rear bushing (1)	1

Ref. No.	Part No.	Description	Amt. Req.
20	B 1217 051 000 511216(2)	Upper main shaft rear bushing (2)	1
21	SS 8150710 SP 1555ph	. . . Screw	2
22	B 1219-051 000 511219	Upper main shaft rear bearing	1
23	B 1218-051 000 511218	Upper main shaft rear bearing retaining collar	1
*24	B-1227-051 000 511227	Hand wheel	1
25	SS 8152030-SP 1556ph	. . . Screw	1
26	SS 8151780 SP 1567ph	. . . Screw (S)	1
27	B-1233 012 000	. . . Adjusting screw	1

## EXCLUSIVE PARTS FOR MODEL LU-53

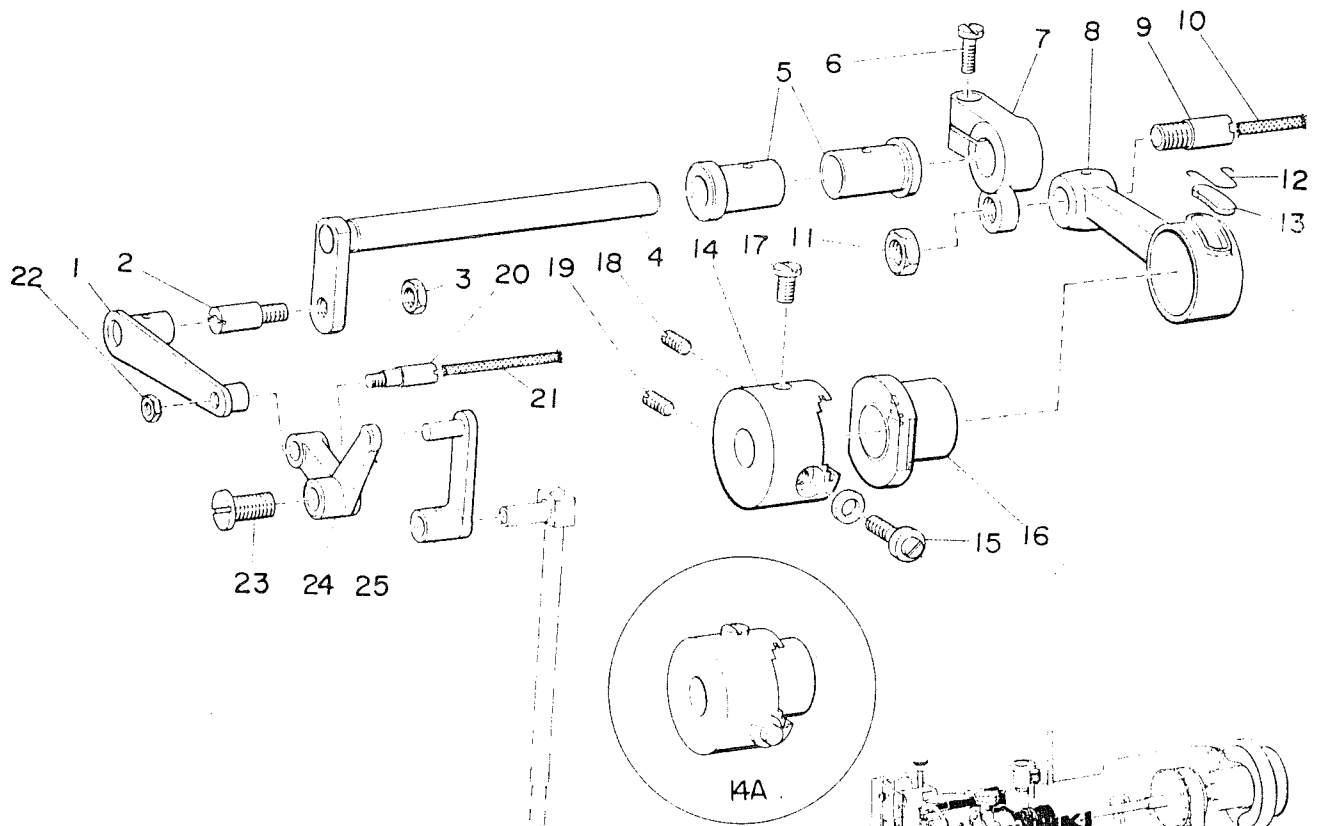
15	B 1201 053 000 531201	Upper main shaft	1
24	B 1227-053 000 531227	Hand wheel	1

# NEEDLE BAR FRAME COMPONENTS



Ref. No.	Part No.	Description	Amt. Req.	Ref. No.	Part No.	Description	Amt. Req.
1	B 1421-051-000 511421	Needle bar frame taper stud	1	16	B 1428-051-000 511428	Needle bar frame rock shaft	
2	SS 8151160-SK 1563fh	· · · Screw	1	17	NS 6620310 SP N621ph	Lock nut, for slide block stud	1
3	B 1420-053-000 531420	Needle bar frame	1	18	PT 0301600 SO TP3016	Knock pin, for front crank	1
4	B-1411-053-000 531411	Needle bar connection	1	19	B 1429-051-000 511429	Needle bar frame rock shaft	1
5	B-1412-051-000 511412	· · · Oil felt	1	20	SS 6151440 SP 1525ph	Screw, for rear crank	1
6	SS-7090910-SP 0941ph	· · · Screw	1	21	B 1431-051-000 511431	Needle bar frame rock shaft rear crank	1
7	B 1401-053-000 531401	Needle bar	1	22	NS 6160520-SP N161ph	· · · Lock nut, for hinge screw	1
8	B-1419-053-000 531419	Needle bar thread guide	1	23	SD 0790801 SP D979403h	· · · Hinge screw	1
9	SS-7060310-SP 0622ph	· · · Screw	1	24	B 1204-051-000 511204	Oil wick, for driving rod	1
10	SS 7080510 SP 0828ph	Screw, for needle	2	25	SD 0950801-SP D095002h	Hinge screw, for driving rod crank	
11	MD-1300-2300	Needle (DL#3, 29#1, #23)	1	26	B 1434-051-000 511434	Needle bar frame rock shaft driving rod	1
12	B-1438-051-0A0 511438S	Oil wick assembly, for front crank	1	27	B 1435-051-000 511435	Needle bar frame rock shaft driving rod crank	1
13	B-1437-051-000 511437	Oil wick retainer, for front crank	1	28	SS-7151210 SP 1522ph	· · · Clamp screw	1
14	B-1425-051-000 511425	Needle bar frame slide block	1	29	NS 6700420 SP N705ph	· · · Nut	1
15	B 1426-051-000 511426	Needle bar frame slide block stud	1				

# VIBRATING PRESSER BAR ROCK SHAFT COMPONENTS



Ref. No.	Part No.	Description	Amt. Req.
1	B-1458-053-000 531458	Vibrating presser bar rock shaft connecting link	1
*2	B-1457-055-000	. . . Screw stud	1
3	NS 6660430 SP N661ph	. . . . . Lock nut	1
4	B-1456-053-000 531456	Vibrating presser bar rock shaft	1
5	B-1455-053-000 531455	. . . Bushing	2
6	SS 7661540-SP 6623ph	Screw, for crank	1
7	B-1454-053-00A 531454(1)	Vibrating presser bar rock shaft crank	1
8	B-1453-053-000 531453	Vibrating presser bar rock shaft connecting rod	1
9	B-1454-053-00B 531454(2)	Screw stud, for crank	1
10	B-1204-051-000 511204	. . . Oil wick	1
11	NS 6660430 SP N661ph	. . . Lock nut	1
12	B-1702-012-000 121702	Oil felt retainer	1
13	B-1213-012-000 121213	Oil felt, for connecting rod	1
14	B-1450-053-000 531450	Adjustable feed eccentric body	1
15	B-1452-053-000 531452	Adjusting screw, for feed eccentric	1
16	B-1451-053-000 531451	Adjustable feed eccentric	1
17	SS-7090610 SP 09210ph	. . . Screw	1
18	SS-8151280-SP 15512ph	Screw, for feed eccentric body	1
19	SS-8151150 SP 1552ph	Screw, for feed eccentric body	1

Ref. No.	Part No.	Description	Amt. Req.
20	B-1459-053-00B 531459(2)	L shaped link connecting screw stud	1
21	B-1204-041-000 511204	. . . Oil wick	1
22	NS 6110310 SP N112ph	. . . Lock nut	1
23	B-1459-053-00A 531459(1)	L shaped link	1
24	B-1465-053-000 531465	Vibrating presser bar driving link	1

## EXCLUSIVE PART FOR MODEL LU-53

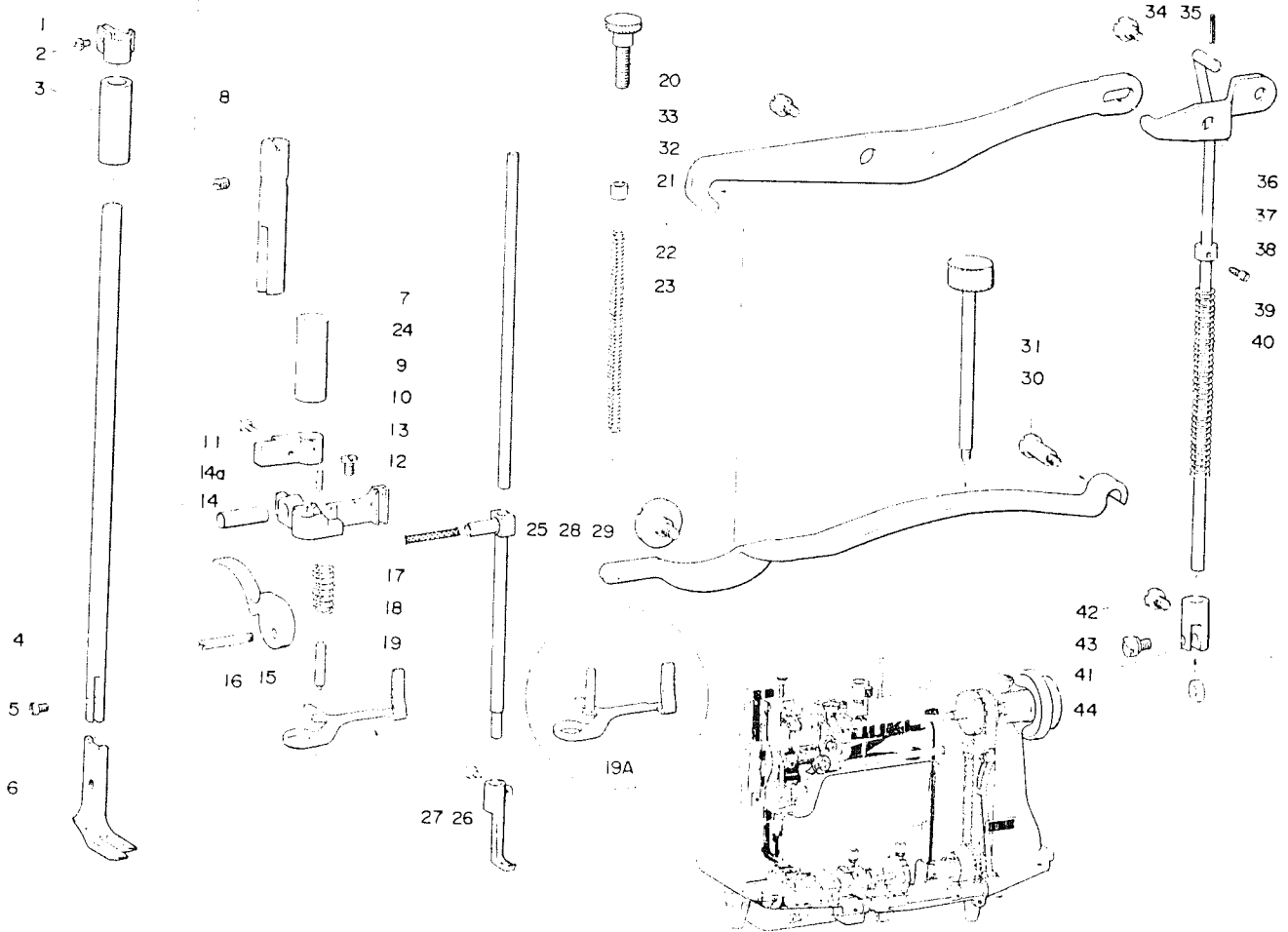
2	B-1457-053-000	Screw stud	1
---	----------------	------------	---

(Continued to page 5)

## PRESSER BAR & KNEE LIFTER COMPONENTS

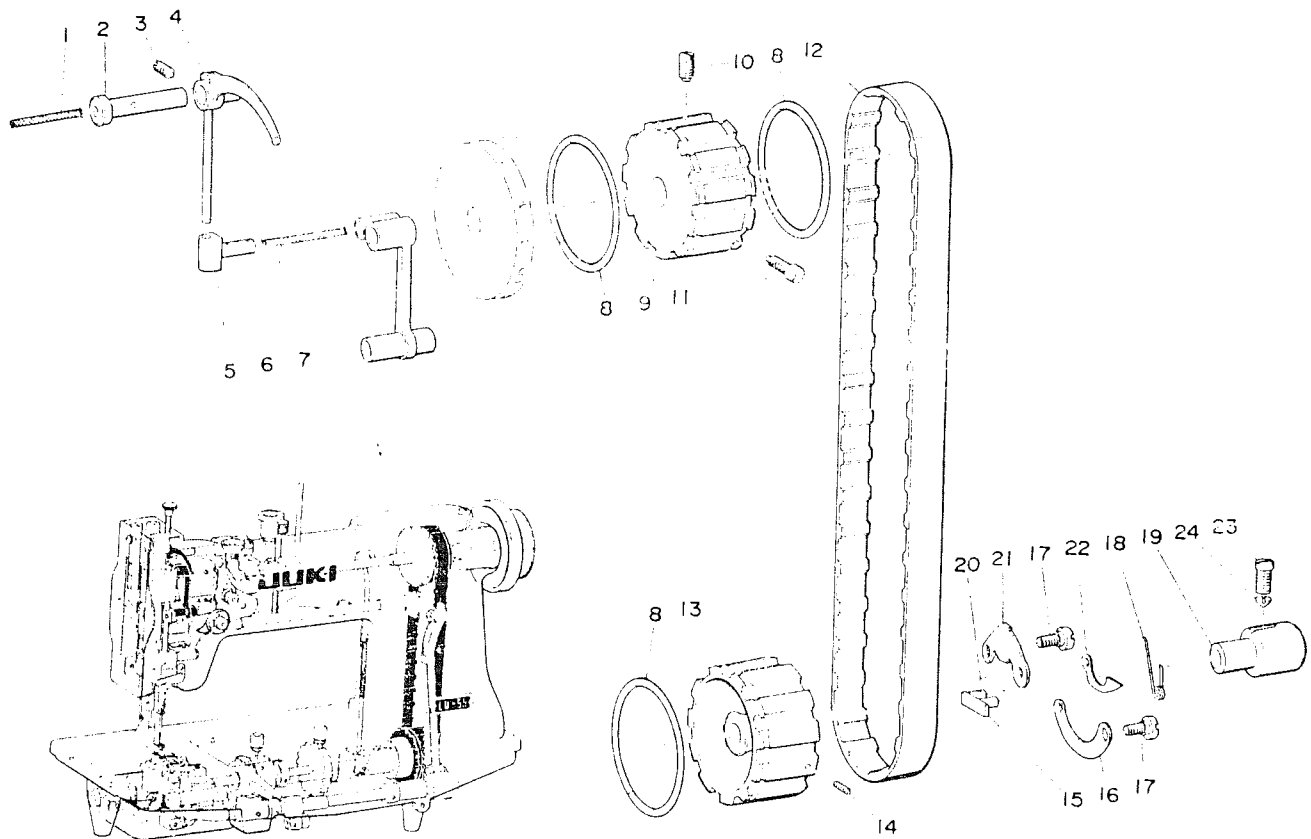
1	B-1507-051-000 511507	Lifting presser bar connection	1
2	SS-7090910-SP 0941ph	. . . Screw	1
3	B-1503-051-A00 511503	Lifting presser bar bushing	1
4	B-1501-040-000 401501	Lifting presser bar	1

# PRESSER BAR & KNEE LIFTER COMPONENTS



Ref. No.	Part No.	Description	Amt. Req.	Ref. No.	Part No.	Description	Amt. Req.
5	SS 6090910 SP 0925ph	Screw, for presser foot	1	25	B 1466 053 000 531466	Vibrating presser bar	1
6	B-1525-053-000 531525	Presser foot	1	26	B 1470 053 000 531470	Vibrating presser foot	1
7	B-1502-051-000 511502	Lifting presser bar guide sleeve	1	27	SS 9090640 SP 0981ph	... Clamp screw	1
8	SS 8150750-SP 1553ph	... Screw	1	28	B 1505 053 000 531505	Lifting presser bar adjusting plate spring	1
9	B-1503-051 B00 511503	Lifting presser bar bushing	1	29	SD 0800481 SP D030008h	Hinge screw, for No. 12	1
10	B-1504-051 000 511504	Lifting presser bar connection	1	30	SD 0801601 SP D030013h	Screw stud, for No. 28	1
11	SS 7090910 SP 0911ph	... Screw	1	31	B 1509 051 000 511509	Pressure regulating thumb screw	1
12	B 1460 053 00A 531460 (1)	Hand lifter mounting bracket	1	32	B 3409 053 000 533409	Knee lifter front lever	1
13	SS 7111310 SP 1136ph	... Clamp screw	1	33	SD 0790361 SP D079101h	... Hinge screw	1
14	B-1460-053-00B 531460 (2)	... Connecting pin	1	34	SD 0790361 SP D079101h	Hinge screw, for rear lever	1
15	B-1512-051 000 511512	Hand lifter	1	35	PD 0231100 0B DP25126	Cotter pin, for rear lifting bar	1
16	B-1515-051 000 511515	Hand lifter shaft	1	36	B 3410 051 000 513410	Knee lifter rear lever	1
17	B 1462-053 00B 531462	Thread release spring	1	37	B 3413 053 000 533413	Rear lifting bar	1
18	B 1461-053 000 531461 (2)	Thread release spring pin	1	38	CS 0510713 SC S05101	Rear lifting bar spring retaining collar	1
19	B 1461-053 00A 531461 (1)	Thread release guide	1	39	SS 7110540 SP 1127ph	... Screw	1
20	B-1469-053-000 531469	Adjusting thumb screw, for vibrating presser bar	1	40	B 3414051 000 513414	Rear lifting bar spring	1
21	B-1467-053-00B 531467 (2)	Retaining collar, for spring	1	41	B 3416 051 000 513416 (1)	Rear lifting bar roller holder	1
22	B-1467-053-00C 531467 (3)	Retaining collar pin	1	42	SS 7110510-SP 1121ph	... Screw	1
23	B-1468-053-000 531468	Vibrating presser bar spring	1	43	SD 0550801-SP D055007h	... Screw stud	1
24	B-1467-053-00A 531467 (1)	Vibrating presser bar spring pole	1	44	B 3417 051 000 513416 (2)	Rear lifting bar roller	1

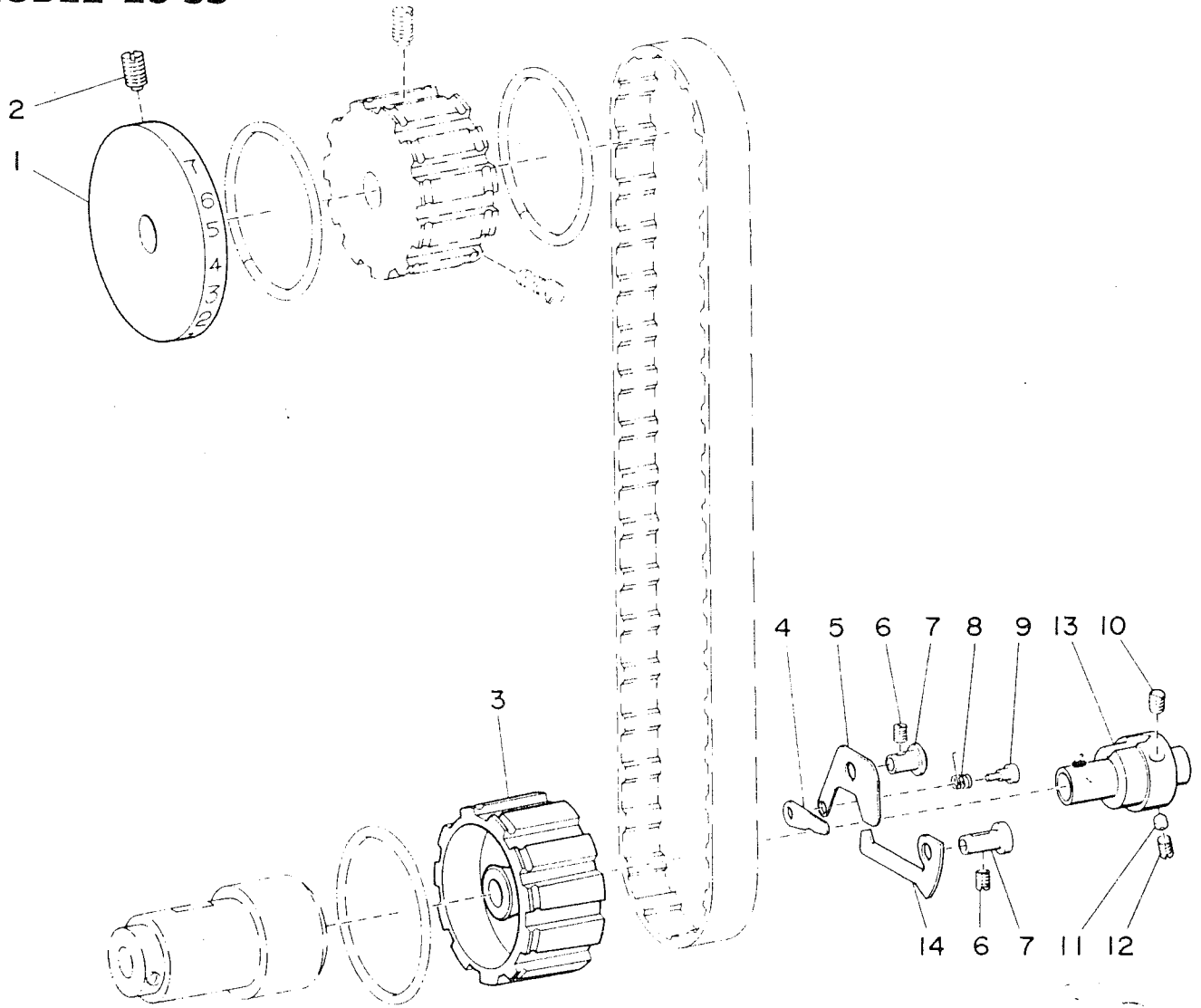
# SAFETY CLUTCH MECHANISM COMPONENTS



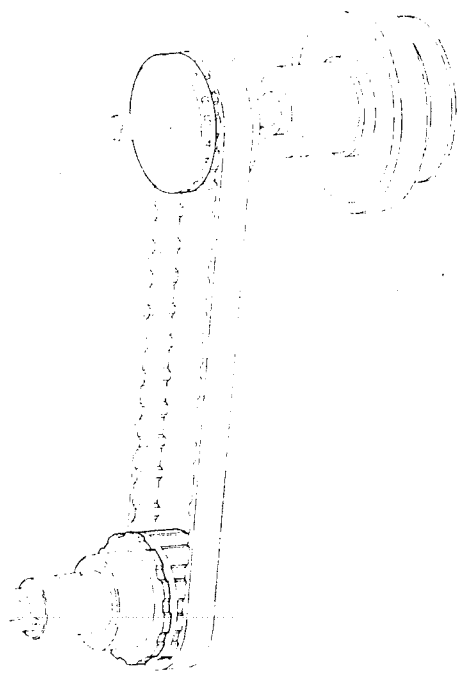
Ref. No.	Part No.	Description	Amt. Req.	Ref. No.	Part No.	Description	Amt. Req.
1	B-1204-051-000 511204	Oil wick, for take-up lever pin	1	20	B 1314 055-000	Safety clutch small link pin	1
2	B 1906-051-000 511906	Take-up lever pin	1	21	B 1307 053 M00	Safety clutch hook	1
3	SS 8151150-SP 1552ph	. . . Screw	1	22	B 1308 055 000	Safety clutch counter-hook	1
4	B-1905 053 000 531905	Take-up lever	1	23	SS 6661110 SK 6621fh	Clamp screw, for safety clutch body	2
5	B-1907-051-000 511907	Take-up lever thrust pin	1	24	B 1833 053 000	. . . Pin	1
6	B 1204 051-000 511204	. . . Oil wick	1				
7	B-1408 051-000 511408	Needle bar crank rod	1				
8	B-1214-019-000 191214	Sprocket wheel ring	3				
9	B-1302-051-000 511302	Sprocket wheel, upper	1				
10	SS-7181750-TP 6822ph	. . . Screw (B)	1				
11	SS-8681650-TP 6851ph	. . . Screw (A)	1				
12	B 1301-051 000 511301	Timing belt	1				
13	B-1303 055-000	Sprocket wheel, lower	1				
14	SS-8090540-SP 0956ph	Positioning screw, for safety clutch spring	1				
15	B-1310-055-000	Safety clutch small link	1				
16	B-1305-055-000	Safety clutch spring	1				
17	B-1315-055-000	Hinge screw, for safety clutch hook	2				
18	B-1309-055-000	Safety clutch counter-hook spring	1				
19	B-1311-055-000	Safety clutch body	1				



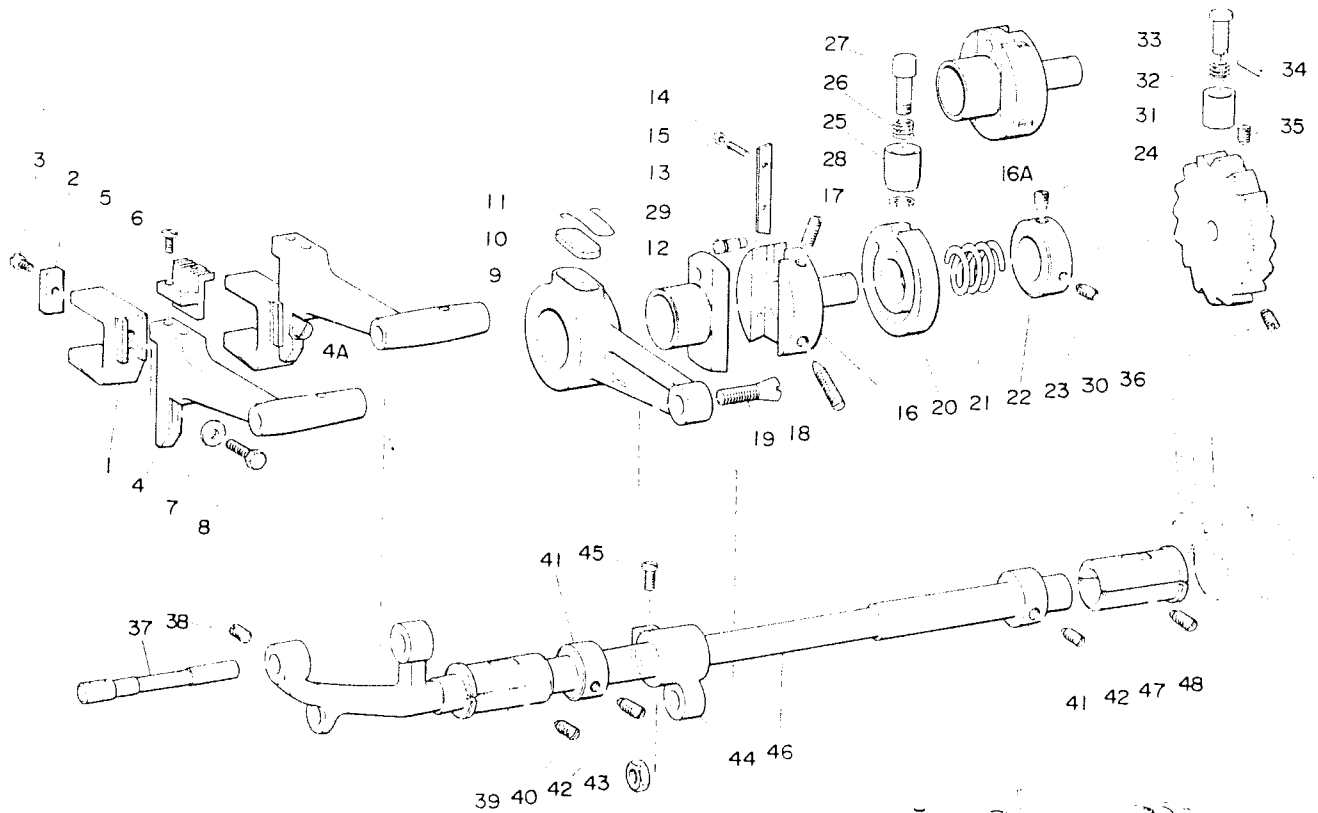
# SAFETY CLUTCH MECHANISM COMPONENTS, EXCLUSIVE FOR MODEL LU-53



Ref. No.	Part No.	Description	Amt. Req.
1	B 1220 053 000 531220	Stitch graduator	1
2	SS 8621340 SP 6255ph	Screw	2
3	B 1303 053 000 531303	Sprocket wheel, lower	1
4	B 1308 053 000 531303 (5)	Safety clutch counter-hook	1
5	B-1307-053 000 531303 (4)	Safety clutch hook	1
6	SS 8620610 SK 6252fh	Screw, for pin	2
7	B 1306 053 000 531303 (3)	Pin, for safety clutch hook & spring	2
8	B 1309 053 000 531303 (6)	Safety clutch counter-hook spring	1
9	B 1310 053 000 531303 (7)	Safety clutch counter-hook pin	1
10	SS 8680540 SK 6853fh	Screw (A), for safety clutch body	1
11	B 1304 053 000 531304	Safety clutch body pin	1
12	SS 8680730 SK 6854fh	Screw (B), for safety clutch body	1
13	B 1311 053-000 531303 (8)	Safety clutch body	1
14	B-1305 053 000 531305	Safety clutch spring	1

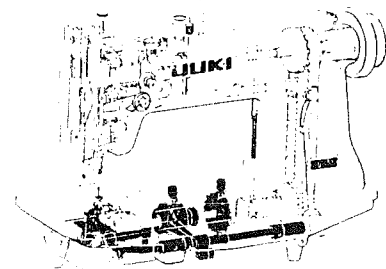


# FEED ROCK SHAFT COMPONENTS



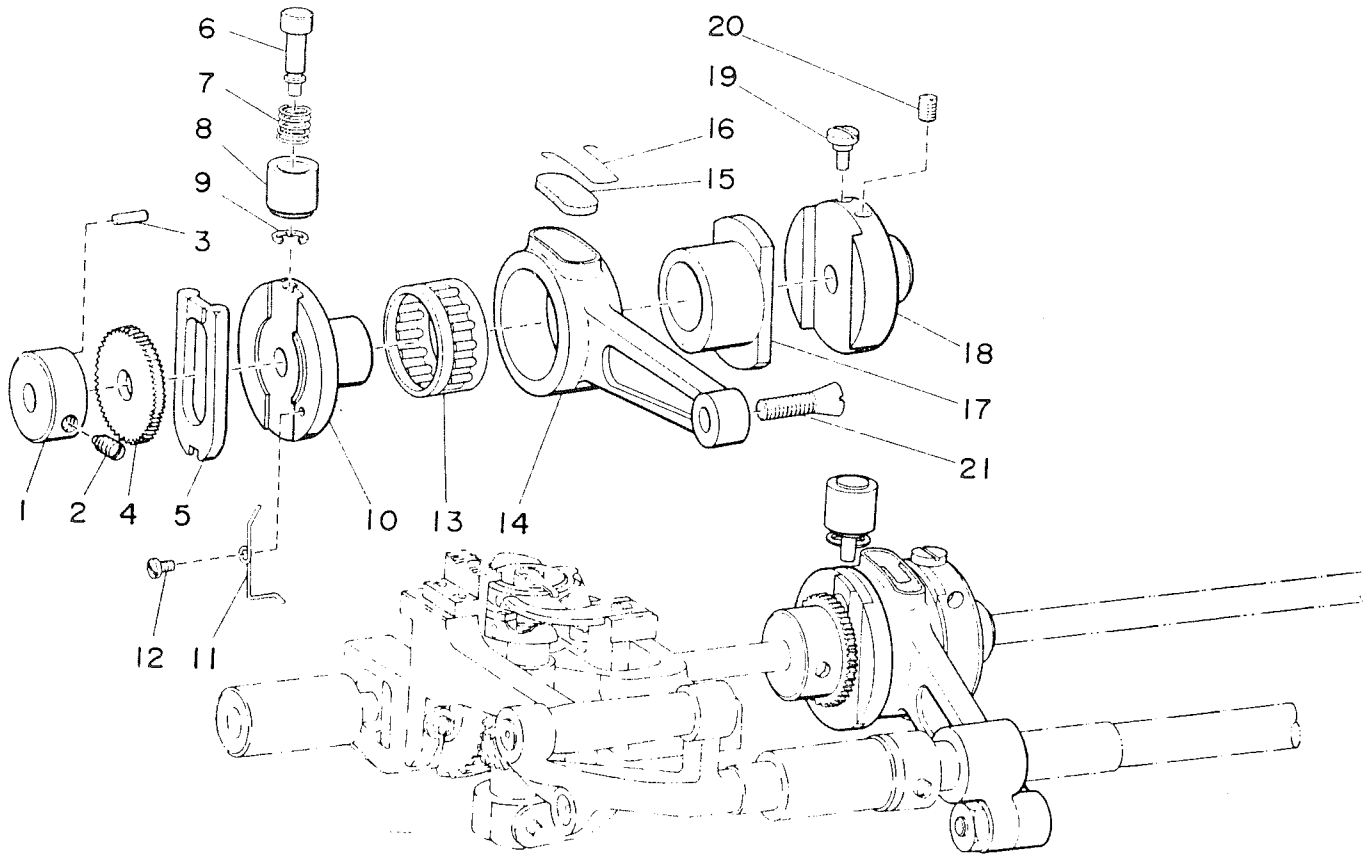
Ref. No.	Part No.	Description	Amt. Req.
1	B 1604 051 000 511601	Feed bar fork	1
2	B 1605 051 000 511605	Feed bar fork oil supply felt	1
3	SS 5080710 SP 0839ph	... Screw	1
*4	B 1602 055 000	Feed bar	1
5	B 1613 053 000 531613	Feed dog	1
6	B 1611 055 000	... Screw	2
7	WS 0651510 KP SW651ph	Washer, for feed bar fork set screw	1
8	SS 9151440 SP 1592ph	Screw, for feed bar fork	1
9	B 1614 057 000 571611	Feed rock shaft crank connecting rod	1
10	B 1702 012 000 121702	... Oil supply felt	1
11	B 1213 012 000 121213	... Oil supply felt retainer	1
12	B 1620 057 000 571620	Feed eccentric	1
13	B 1622 057 000 571622	Feed eccentric gib	1
14	NS 6080210 SP N081ph	... Nut	2
15	B 1621 405 000 4051621	... Screw	2
16	B 1621 055 000	Feed eccentric body	1
17	SS 8151780 SP 1567ph	... Screw (B)	1
18	SS 8151770 SK 1559ph	... Screw (A)	1
19	B 1621 012 A00 121621 (A)	Connecting screw, for feed rock shaft crank	1
20	B 1626 057 000 571626	Feed eccentric guide	1
21	B 1624 057 000 571624	Feed eccentric body spring	1
22	B 1625 057 000 571625	Feed eccentric body spring retaining collar	1
23	SS 8110510 SP 1151ph	... Screw (A)	1
24	SS 8110750 SP 1157ph	... Screw (B)	1

Ref. No.	Part No.	Description	Amt. Req.
25	B 1637 055 000	Feed eccentric adjusting knob sleeve	1
26	B 1639 051 000 511639	Feed eccentric adjusting knob spring	1
27	B 1536 055 000	Feed eccentric adjusting knob	1
28	B 1638 051 000 511638	Feed eccentric adjusting knob retaining ring	1
29	B 1623 057 000 571623	Feed eccentric leading pin	1
30	B 1314 057 000 571311	Safety clutch ratchet gear	1
31	B 1313 055 000	Safety clutch knob sleeve	1
32	B 1639 051 000 511639	Safety clutch knob spring	1
33	B 1312 055 000	Safety clutch knob	1
34	B 1314 055 000	Safety clutch small link pin	1
35	SS 8151780 SP 1567ph	Screw (A), for ratchet gear	1
36	SS 8152080 SP 1561ph	Screw (B), for ratchet gear	1
37	B 1603 051 000 511603	Feed bar shaft	1
38	SS 8110510 SP 1151ph	... Screw	2
39	B 1607 051 000 511607	Feed rock shaft front bushing	1
40	SS 8151550 SP 1551ph	... Screw	2



(Continued to page 9)

# FEED ROCK SHAFT COMPONENTS, EXCLUSIVE FOR MODEL LU-53

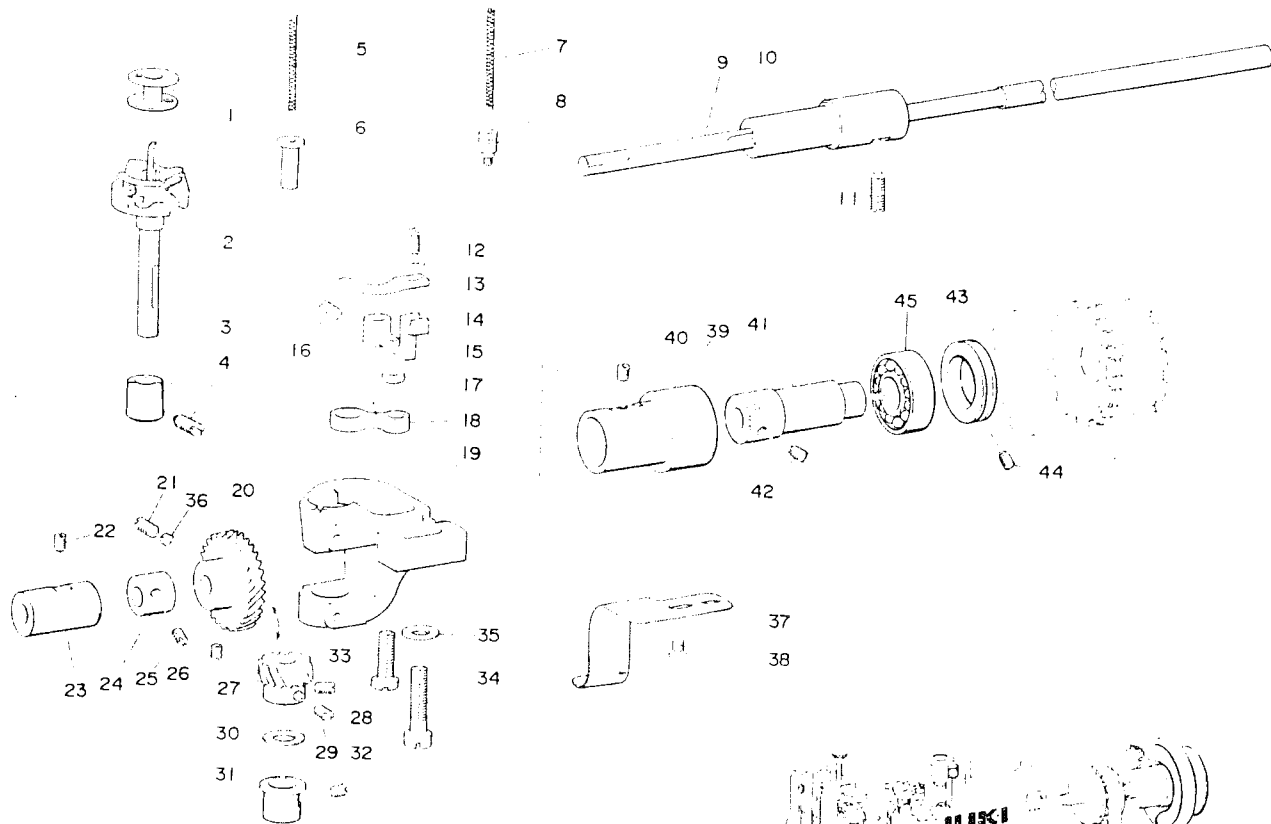


Ref. No.	Part No.	Description	Amt. Req.	Ref. No.	Part No.	Description	Amt. Req.
1	CS 0951015 SH S09502h	Ratchet gear thrust collar	1	6	B 1636 053 000 531636	Feed eccentric adjusting knob	1
2	SS 8151150 SP 1552ph	· · · Screw	2	7	B 1639 051 000 511639	· · · Spring	1
3	B 1627 051 000 511627	· · · Connecting pin	1	8	B 1637 053 000 531637	· · · Bushing	1
4	B 1628 051 000 511628	Ratchet gear	1	9	B 1638 051 000 511638	· · · Retaining ring	1
5	B 1623 051 000 511623	Ratchet pawl	1	10	B 1626 051 000 511626	Feed eccentric guide	1
(Continued from page 8)				11	B 1624 051 000 511624	Ratchet pawl spring	1
41	CS 1401012 SC S14001	Feed rock shaft thrust collar	2	12	SD 0260271 SP D026001h	· · · Screw	1
42	SS 8150440 SP 1558ph	· · · Screw	4	13	B 1618 051 000 511618	Crank connecting rod needle bearing	1
43	NS 6680410 SP N681ph	Nut, for No 19	1	14	B 1614 051 000 511614	Feed rock shaft crank connecting rod	1
44	B 1616 055 000	Feed rock shaft crank	1	15	B 1702 012 000 121702	· · · Oil supply felt	1
45	SS 6121610 SP 1221ph	· · · Clamp screw	1	16	B 1213 012 000 121213	· · · Oil supply felt retainer	1
46	B 1601 051 000 511601	Feed rock shaft	1	17	B 1620 051 000 511620	Feed eccentric	1
47	B 1609 051 000 511609	Feed rock shaft rear bushing	1	18	B 1621 051 000 511621	Feed eccentric body	1
48	SS 8152030 SP 1556ph	· · · Screw	1	19	SS 8660970 SP 6654ph	· · · Screw	1
				20	SS 8660610 TP	· · · Screw	1
				21	B 1621 012 A00 121621 (A)	Connecting screw, for crank connecting rod	1

## EXCLUSIVE PARTS FOR MODEL LU-53

4	B 1602 053 000 531602	Feed bar	1
44	B 1616 053 000 531616	Feed rock shaft crank	1

# SEWING HOOK SHAFT COMPONENTS

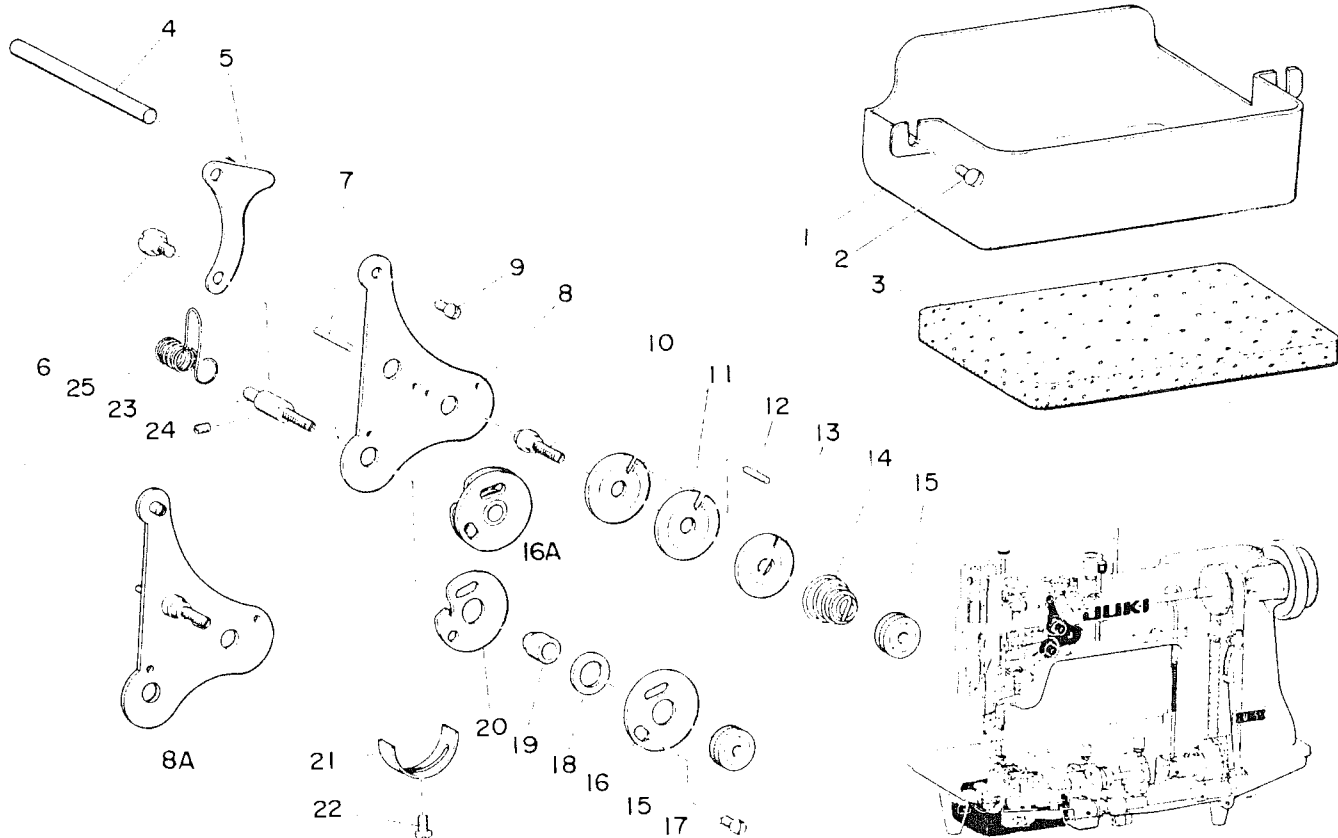


Ref. No.	Part No.	Description	Amt. Req.
1	B 9117 051 000 519117	Bobbin	1
2	B 1830 055 0A0	Vertical-axis sewing hook assembly	1
3	B 1814 051 000 511814	Hook driving shaft upper bushing	1
4	SS 8151350 SK 1551fh	... Screw	1
5	B 1204 051 000 511204	Oil wick, for crank pin	1
6	B 1823 051 000 511823	Bobbin case opening lever crank pin	1
7	B 1204 051 000 511204	Oil wick, for crank screw stud	1
8	B 1821 041 000 511821	Bobbin case opening lever crank screw stud	1
9	B 1801 055 000	Hook shaft	1
10	B 1804 051 000 511804	Hook shaft intermediate bushing	1
11	SS 8151550 SP 1554ph	... Screw	1
12	SS 6090620 SP 0930ph	Screw, for bobbin case opening lever	1
13	WP 0371016 SD W371p	... Washer	1
14	B 1824 051-000 511824	Bobbin case opening lever	1
15	B 1822 051 000 511822	Bobbin case opening lever crank	1
16	SS 8150710 SP 1555ph	Screw, for crank pin	1
17	NS 6110420 SP N112ph	Nut, for crank screw stud	1
18	B 1820 051 000 511820	Bobbin case opening lever link	1
19	B 1811 051-000 511811	Hook driving shaft saddle	1
20	B 1816 051 000 511816	Hook shaft gear	1
21	SS 8660410 SK 6653fh	... Screw	1
22	SS 8152030 SP 1556ph	Screw, for front bushing	1
23	B 1802-053 000 531802	Hook shaft front bushing	1

Ref. No.	Part No.	Description	Amt. Req.
24	B 1840 051 000 511840	Hook shaft feed eccentric	1
25	SS 8150580 SP 1551ph	... Screw	1
26	SS 8660810 TP 6661ph	Screw, for hook shaft gear	1
27	B 1817 051 000 511817	Hook driving shaft gear	1
28	SS 8660530 SK 6664fh	... Screw	1
29	SS 8660670 SK 6656fh	... Screw	1
30	B 1818 051 000 511818	Hook driving shaft gear thrust washer	1
31	B 1815 051 000 511815	Hook driving shaft lower bushing	1
32	SS 8150710 SP 155ph	... Screw	1
33	SS 6153040 SP 1510ph	Clamp screw, for hook driving shaft saddle	1
34	SS 7762840 SP 7621ph	Screw, for hook driving shaft saddle	1
35	B 1812 051 000 511812	... Washer	1
36	B 1833 053 000 531833	Lock pin, for hook shaft gear	2
37	B 1806 051 000 511806	Hook shaft timing indicator	1
38	SS 7090520 SP 0921ph	... Screw	2

(Continued to page 11)

# THREAD CONTROLLER COMPONENTS



Ref. No.	Part No.	Description	Amt. Rep.	Ref. No.	Part No.	Description	Amt. Req.
1	B 1839 053 000 531839	Hook driving shaft saddle oil splashing cover	1	10	B 3124 051 000 513124	Thread tension stud	1
2	SS 7110410 SP 1134ph	. . . Screw	2	11	B 3126 051 000 513126	Thread tension disc	2
3	B 1841 053 000 531841	. . . Oil drip felt	1	12	B 3131 051 000 513131	. . . Pin	1
4	B 3122 053 000 533122	Thread release lever pushing bar	1	13	B 3132 051 000 513132	. . . Releasing washer	1
5	B 3134 051 000 513134	Thread release lever	1	14	B 3129 051 000 513129	Thread tension spring	1
6	SD 0470281-SP D047001h	. . . Screw	2	15	B 3125 012 000 123125	Thread tension stud nut	2
7	B 3127 051 000 513127	Thread release pin	5	16	B 3137 051 00D 513137 (1)	Take-up spring guide disc	1
8	B 3121 051 000 513121	Thread controller base	1	17	SS 4080510 SP 0822ph	. . . Screw	1
9	SS 7110720 SP 1130ph	. . . Screw	1	18	B 3137 051 00C 513137 (3)	Take-up spring guide stud	1
(Continued from page 10)				19	B 3137 151 00A 513137 (1)	Take-up spring guide taper stud	1
39	B 1807 051 000 511807	Hook shaft rear bushing (1)	1	20	B 3137 051 00B 513137 (2)	Take-up spring guide disc, intermediate	1
40	SS 8152030 SP 1551ph	. . . Screw	1	21	B 3138 051 000 513138	Take-up spring adjusting plate	1
41	B 1808 051 000 511808	Hook shaft rear bushing (2)	1	22	SS 7090520 SP 0921ph	. . . Screw	1
42	SS 8150750 SP 1553ph	. . . Screw	2	23	B 3123 051 000 513123	Take-up spring stud	1
43	B 1809 051 000 511809	Hook shaft bearing retaining collar	1	24	SS 8111251 SP 1158ph	. . . Screw	1
44	SS 8090530 TP 0958ph	. . . Screw	3	25	B 3128 051 000 513128	Take-up spring	1
45	B 1219 051 000 511219	Hook shaft bearing	1				

## EXCLUSIVE PARTS FOR MODEL LU-53

2	B 1830 053 0A0 531830S	Vertical-axis sewing hook assembly	1
9	B 1801-053 000 531801	Hook shaft	1

## EXCLUSIVE PART FOR MODEL LU-53

14	B 3129 053 000	Thread tension spring	1
----	----------------	-----------------------	---

# NUMERICAL INDEX OF PARTS

Part No.	Page	Ref. No.	Part No.	Page	Ref. No.	Part No.	Page	Ref. No.	Part No.	Page	Ref. No.
EXCLUSIVE PARTS											
B 1103-051-000	1	8	B-1218-051-000	2	23	B 1428-051-000	3	16	B-1515-051-000	5	16
511103			511218			511428			511515		
B-1104-051-000	1	27	B-1219 051 000	2	22	B 1429 051 000	3	19	B-1525-053-000	5	6
511102(1)			511219			511429			531525		
B-1105-051-000	1	25	B-1219-051-000	10	45	B-1431 051 000	3	21	B-1536-055-000	8	27
511102(2)			511219			511431					
B 1106-051 000	1	26	B 1220 053-000	7	1	B 1434 051 000	3	26	B-1601-051-000	8	46
511102(3)			531220			511434			511601		
B-1109-053-000	1	22	B 1220 055-M00	2	17	B 1435 051 000	3	27	B 1602-053 000	8	4
531109			B 1227-051-000	2	24	511435			531602		
B-1112-053-000	1	24	511227			B 1437 051 000	3	13	B-1602-055-000	8	*4
531112			B 1227-053 000	2	24	511437					
B-1113-053-000	1	21	531227			B 1438 051 0A0	3	12	B 1603 051-000	8	37
531113			B-1233-012-000	2	27	511438S			511603		
B-1114-051-000	1	4	B-1301-051-000	6	12	B 1450 053-000	4	14	B 1604-051-000	8	1
511114			511301			531450			511601		
B-1128-051-000	1	11	B-1302 051-000	6	9	B 1451-053 000	4	16	B 1605 051-000	8	2
511128			511302			531451			511605		
B-1129-051-000	1	13	B-1303-053-000	7	3	B-1452-053 000	4	15	B-1607-051-000	8	39
511129			531303			531452			511607		
B-1130-051 000	1	14	B-1303-055-000	6	13	B-1453-053 000	4	8	B 1609-051-000	8	47
511130			B-1304-053 000	7	11	531453			511609		
B-1131-051-000	1	15	531304			B 1454 053 00A	4	7	B-1611-055-000	8	6
511131			B-1305-053 000	7	14	531454					
B-1140-051 000	1	9	531305			B 1454 053 00B	4	9	B 1613-053-000	8	5
511140			B-1305-055 000	6	16	531454(2)			531613		
B-1150-051 000	1	1	B 1306 053-000	7	7	B 1455 053 000	4	5	B 1614 051-000	9	14
511150			531306			531455			511614		
B-1152 051 000	1	2	B 1307 053 000	7	5	B 1456 053 000	4	4	B 1614-057-000	8	9
511152			531307			531456			581614		
B 1155 053 000	1	5	B 1307 053 M00	6	21	B 1457 053 000	4	2	B 1616-053 000	8	44
531155			B 1308 053 000	7	4	531457			531616		
B-1157-009-000	1	17	531308(1)			B 1457 055 000	4	*2	B 1616 055 000	8	*44
91157			B 1308 055 000	6	22						
B-1201-051 000	2	*15	B 1309 053 000	7	8	B 1458-053 000	4	1	B 1618-051-000	9	13
511201			531309(5)			531458			511618		
B-1201-053 000	2	15	B 1309 053 000	7	8	B 1459 053 00A	4	23	B 1620 051 000	9	17
531201			531309(6)			531459(1)			511620		
B 1202 051 000	2	10	B-1309 055 000	6	18	B 1459 053 00B	4	20	B 1620 057-000	8	12
511202			B 1310 053 000	7	9	531459(2)			571620		
B-1203-051 000	2	13	531309(7)			B 1460 053 00A	5	12	B 1621 012 A00	8	19
511203			B 1310 055 000	6	15	531460(1)			121621(A)		
B-1204-051 000	2	1	B 1311 053 000	7	13	B 1460 053 00B	5	14	B 1621 012 A00	9	21
511204			531309(8)			531460(2)			121621(A)		
B-1204-051 000	2	14	B 1311 055 000	6	19	B 1461 053 00A	5	19	B 1621 051-000	9	18
511204			B 1312 055 000	8	33	531461(1)			511621		
B 1204-051 000	2	16	B 1313 055 000	8	31	B 1461 053 00B	5	18	B-1621 055 000	8	16
511204			B 1314 055 000	8	34	531461(2)					
B-1204-051-000	3	24	B 1314 057 000	8	30	B 1462 053 00B	5	17	B 1621 405 000	8	15
511204			571314			531462			4051621		
B-1204-051 000	4	10	B 1315 055 000	6	17	B-1465 053 000	4	24	B 1622-057 000	8	13
511204						531465			571622		
B-1204-051 000	4	21	B 1401-053 000	3	7	B-1466 053 000	5	25	B 1623 051 000	9	5
511204			531401			531466			511623		
B 1204-051 000	6	1	B 1408 051 000	6	7	B 1467 053 00A	5	24	B 1623 057-000	8	29
511204			511408			531467(1)			571623		
B-1204-051 000	6	6	B 1411 053 000	3	4	B 1467 053 00B	5	21	B 1624 051 000	9	11
511204			531411			531467(2)			511624		
B-1204-051-000	10	5	B 1412-051 000	3	5	B 1467 053 00C	5	22	B-1624-057-000	8	21
511204			511412			531467(3)			571624		
B-1205-051-000	2	9	B-1419 053 000	3	8	B 1468 053 000	5	23	B 1625-057-000	8	22
511205			531419			531468			571625		
B-1206-051 000	2	6	B-1420 053 000	3	3	B 1469-053 000	5	20	B 1626-051 000	9	10
511206			531420			531469			511626		
B-1207-051 000	2	5	B 1421 051 000	3	1	B 1470-053 000	5	26	B 1626-057-000	8	20
511207			511421			531470			571626		
B-1210-051 000	2	2	B 1423 051 000	1	18	B 1501 040 000	5	4	B 1627-051-000	9	3
511210			511423			101501			511627		
B-1213-012-000	4	13	B 1425 051 000	3	14	B 1502 051 000	5	7	B 1628 051 000	9	4
121213			511425			511502			511628		
B-1213 012-000	8	11	B 1426 051 000	3	15	B-1503-051 A00	5	3	B-1636-053-000	9	6
121213			511426			511503A			531636		
B-1214-019 000	6	8	B 1427 051 000	1	18	B 1503 051 B00	5	9	B 1637-053 000	9	8
191214			511427			511503B			531637		
B-1216-051 000	2	19	B 1428-051-000	2	23	B 1504-056 000	5	10	B-1637-055-000	8	25
511216			511428			511504					
B-1217-051-000	2	20	B 1429 051 000	3	19	B 1505 053 000	5	28	B 1638-051-000	8	28
511216(2)			511429			531505			511638		
			B 1434 051 000	3	26	B 1507 051 000	5	1	B 1638-051-000	4	9
			511434			511507			511638		
			B 1435 051 000	3	27	B 1509 051 000	5	31	B 1639 051-000	8	26
			511435			511509			511639		
			B 1437 051 000	3	13	B 1512 051 000	5	15	B 1639-051-000	8	32
			511437			511512			511639		

Part No.	Page	Ref. No.	Part No.	Page	Ref. No.	Part No.	Page	Ref. No.	Part No.	Page	Ref. No.
B 1639-051-000 511639	9	7	B 3129-053-000	11	14	SD 0790801 SP D079106h	3	23	SS 8150710 SP 1555ph	10	16
B 1702-012-000 121702	4	12	B 3131-051-000 513131	11	12	SD 0800481-SP D080008h	5	29	SS 8150710-SP 1555ph	10	32
B 1702-012-000 121702	8	10	B 3132-051-000 513132	11	13	SD 0801601-SP D080013h	5	30	SS 8150750-SP 1553ph	5	8
B 1702-012-000 121702	9	15	B 3134-051-000 513134	11	5	SD 0950801 SP D095092h	3	25	SS 8150750-SP 1553ph	10	42
B 1801-053-000 531801	10	9	B 3137-051-00A 513137(1)	11	19				SS 8151150-SP 1552ph	4	19
B 1801-055-000	10	9	B 3137-051-00B 513137(2)	11	20				SS 8151150-SP 1552ph	6	3
B 1802-053-000 531802	10	23	B 3137-051-00C 513137(3)	11	18	SS 2090710 SP 0901ph	1	16	SS 8151150-SP 1552ph	9	2
B 1804-051-000 511804	10	10	B 3137-051-00D 513137(4)	11	16	SS 2110910 SP 1101ph	1	23	SS 8151160-SK 1563fh	3	2
B 1805-051-000 511805	10	37	B 3138-051-000 513138	11	21	SS 3090610 SP 0978ph	1	10	SS 8151230-SP 1557ph	2	18
B 1807-051-000 511807	10	39	B 3409-053-000 533409	5	32	SS 4080510 SP 0822ph	11	17	SS 8151280-SP 15512ph	4	18
B 1808-051-000 511808	10	41	B 3410-051-000 513410	5	36	SS 5080710 SP 0839ph	8	3	SS 8151350-SK 1551fh	10	4
B 1809-051-000 511809	10	43	B 3413-053-000 533413	5	37	SS 6090620-SP 0930ph	10	12	SS 8151350-SP 1551ph	2	11
B 1811-051-000 511811	10	19	B 3414-051-000 513414	5	40	SS 6090910 SP 0925ph	5	5	SS 8151550 SP 1554ph	8	40
B 1812-051-000 511812	10	35	B 3416-051-000 513416(1)	5	41	SS 6121610 SP 1224ph	8	45	SS 8151550 SP 1554ph	10	11
B 1814-051-000 511814	10	3	B 3417-051-000 513417(2)	5	44	SS 6151440 SP 1525ph	3	20	SS 8151770 SK 1559ph	8	18
B 1815-051-000 511815	10	31	B 3501-051-000 513501	2	12	SS 6153040 SP 1510ph	10	33	SS 8151780 SP 1567ph	2	26
B 1816-051-000 511816	10	20	B 9117-051-000 519117	10	1	SS 6661110 SK 6621fh	6	23	SS 8151780 SP 1567ph	8	35
B 1817-051-000 511817	10	27				SS 7060310 SP 0822ph	3	9	SS 8151780 SP 1567ph	8	17
B 1818-051-000 511818	10	30	THRUST COLLAR			SS 7080510 SP 0828ph	3	10	SS 8152030 SP 1556ph	2	25
B 1820-051-000 511820	10	18	CS 0510713 SC S05101	5	38	SS 7090520 SP 0921ph	10	38	SS 8152030 SP 1556ph	8	48
B 1821-041-000 511821	10	8	CS 0951015 SH S09502h	9	1	SS 7090520 SP 0921ph	11	22	SS 8152030 SP 1556ph	10	22
B 1822-051-000 511822	10	15	CS 1401012 SC S14001	8	41	SS 7090610 SP 09210ph	4	17	SS 8152030 SP 1556ph	10	40
B 1823-051-000 511823	10	6	NEEDLE			SS 7090910 SP 0911ph	3	6	SS 8152080-SP 1561ph	7	6
B 1824-051-000 511824	10	14	MD 1300 2300	3	11	SS 7090910 SP 0911ph	5	2	SS 8620610-SK 6252fh	10	21
B 1830-053-0A0 531830S	10	2	NUT			SS 7090910 SP 0911ph	5	11	SS 8621340-SP 6255ph	10	28
B 1830-055-0A0	10	2	NS 6080210 SP N081ph	8	14	SS 7110410 SP 1131ph	11	2	SS 8660410 SK 6853fh	9	20
B 1833-053-000	6	24	NS 6110310 SP N112ph	4	22	SS 7110510 SP 1121ph	5	42	SS 8660670-SK 6656fh	10	29
B 1833-053-000 531833	10	36	NS 6110420 SP N112ph	10	17	SS 7110540 SP 1127ph	5	39	SS 8660810-TP 6661ph	10	26
B 1839-053-000 531839	11	1	NS 6160520 SP N161ph	3	22	SS 7110720 SP 1130ph	11	9	SS 8660970 SP 6654ph	9	19
B 1840-051-000 511840	10	24	NS 6620310 SP N621ph	3	17	SS 7111310 SP 1136ph	5	13	SS 8680730-SK 6853fh	7	10
B 1841-053-000 531841	11	3	NS 6660430 SP N661ph	4	3	SS 7151210 SP 1522ph	3	28	SS 8680730-SK 6853fh	7	12
B 1905-053-000 531905	6	4	NS 6660430 SP N661ph	4	11	SS 7181750 TP 6822ph	6	10	SS 8681650-TP 6851ph	2	7
B 1906-051-000 511906	6	2	NS 6680410 SP N681ph	8	43	SS 7661540 SP 6623ph	4	6	SS 8681650-TP 6851ph	6	11
B 1907-051-000 511907	6	5	NS 6700420 SP N705ph	3	29	SS 7681750 TP 6822ph	2	8	SS 8688053-SK 6857fh	2	3
B 3101-053-000 533101	1	6	COTTER PIN			SS 7762840 SP 7621ph	10	34	SS 9090640-SP 0981ph	5	27
B 3106-019-000 193106	1	7	PD 0231100 OB DP25126	5	35	SS 8090530 TP 0958ph	10	44	SS 9111010 SK 1182fh	1	19
B 3121-051-000 513121	11	8	TAPER PIN			SS 8090540 TP 0956ph	6	14	SS 9151440-SP 1592ph	8	8
B 3122-053-000 533122	11	4	PT 0301600 SO TP3016	3	18	SS 8110510 SP 1151ph	1	12			
B 3123-051-000 513123	11	23	SCREW STUD			SS 8110510 SP 1151ph	8	23	WASHER		
B 3124-051-000 513124	11	10	SD 0260271 SP D026001h	9	12	SS 8110510 SP 1151ph	8	38	WP 0371016-SD W371p	10	13
B 3125-012-000 123125	11	15	SD 0470281 SP D047001h	11	6	ST 8110750 SP 1157ph	8	24	WP 0480856-SP W431ph	1	20
B 3126-051-000 513126	11	11	SD 0550801-SP D055007h	5	43	SS 8111251 SP 1158ph	11	24	WS 0651510-KP SW651ph	8	7
B 3127-051-000 513127	11	7	SD 0630241 SD D06301	1	3	SS 8150440-SP 1558ph	8	42			
B 3128-051-000 513128	11	25	SD 0790361 SP D079101h	5	33	SS 8150580 SP 15511ph	10	25			
B 3129-051-000 513129	11	14	SD 0790361 SP D079101h	5	34	SS 8150710 SP 1555ph	2	21			





### RELATIONSHIP BETWEEN THE NEEDLE AND THE SEWING HOOK

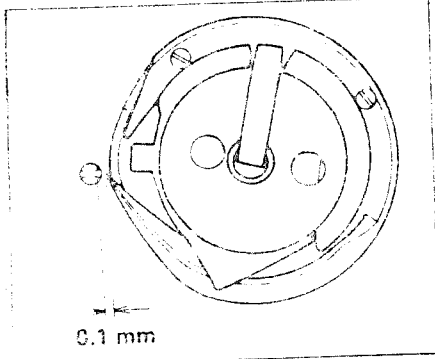
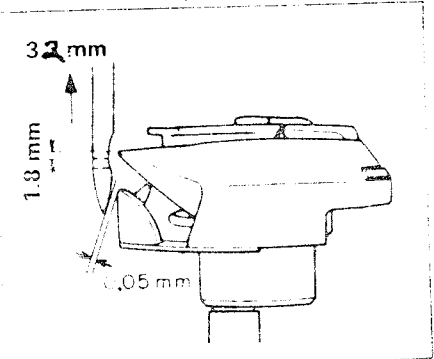
#### 1. Timing of the needle with the sewing hook

First, set the feed amount to "0" and verify that the clearance between the presser bar and the walking bar is 8.5mm (11/32").

Raise up the presser foot and after matching the feed graduator plate to "4", remove the throat plate.

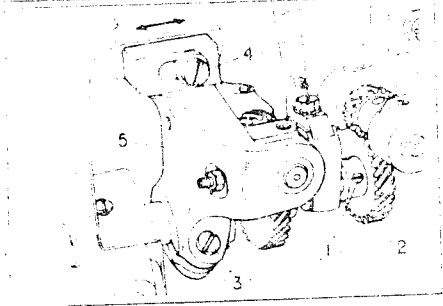
- When the needle has risen 3.3mm (1/8") from the lowest point,
- Match the blade point of the sewing hook with the center of the needle. At this point,
- The clearance between the needle side surface and the blade point of the sewing hook comes to 0.1mm (1/256"),
- The clearance between the needle side surface and the needle guard "2" of the sewing hook comes to 0.05mm (1/512").
- The distance between the upper tip of the thread hole of the needle and the tip of the sewing hook blade comes to 1.8mm (5/64").

(Note) When the needle bar is at the lowest point, the distance between the lower end of the needle clamp and upper surface of the throat plate is 17.6mm (11/16").



#### 2. How to match the timing of sewing hook

Loosen the set screw (1) of the large gear of the hook shaft, move the large gear (2) to right and left and when the center of the needle and the blade point of the sewing hook are matched together, tighten the set screw (1). At this point, be careful to see that the center gear of the large gear and the center of the hook shaft do not slide each other.



#### 3. Adjusting the clearance between the needle and blade point of the sewing hook

Make adjustment as follows:

- 1) Remove the presser foot and the throat plate and tilt the machine.
- 2) Loosen the clamp screw (3) and set screw (4) of the hook driving shaft saddle of the adjusting plate.
- 3) Turn the hook driving shaft saddle (5) slightly to right and left and by making the clearance between the needle and the blade point of the hook is 0.1 mm (1/64"), tighten the clamp screw (3) and set screw (4) firmly.