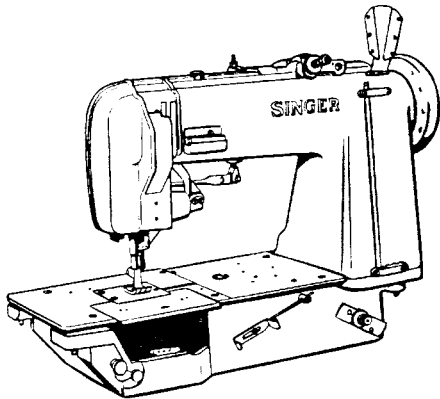
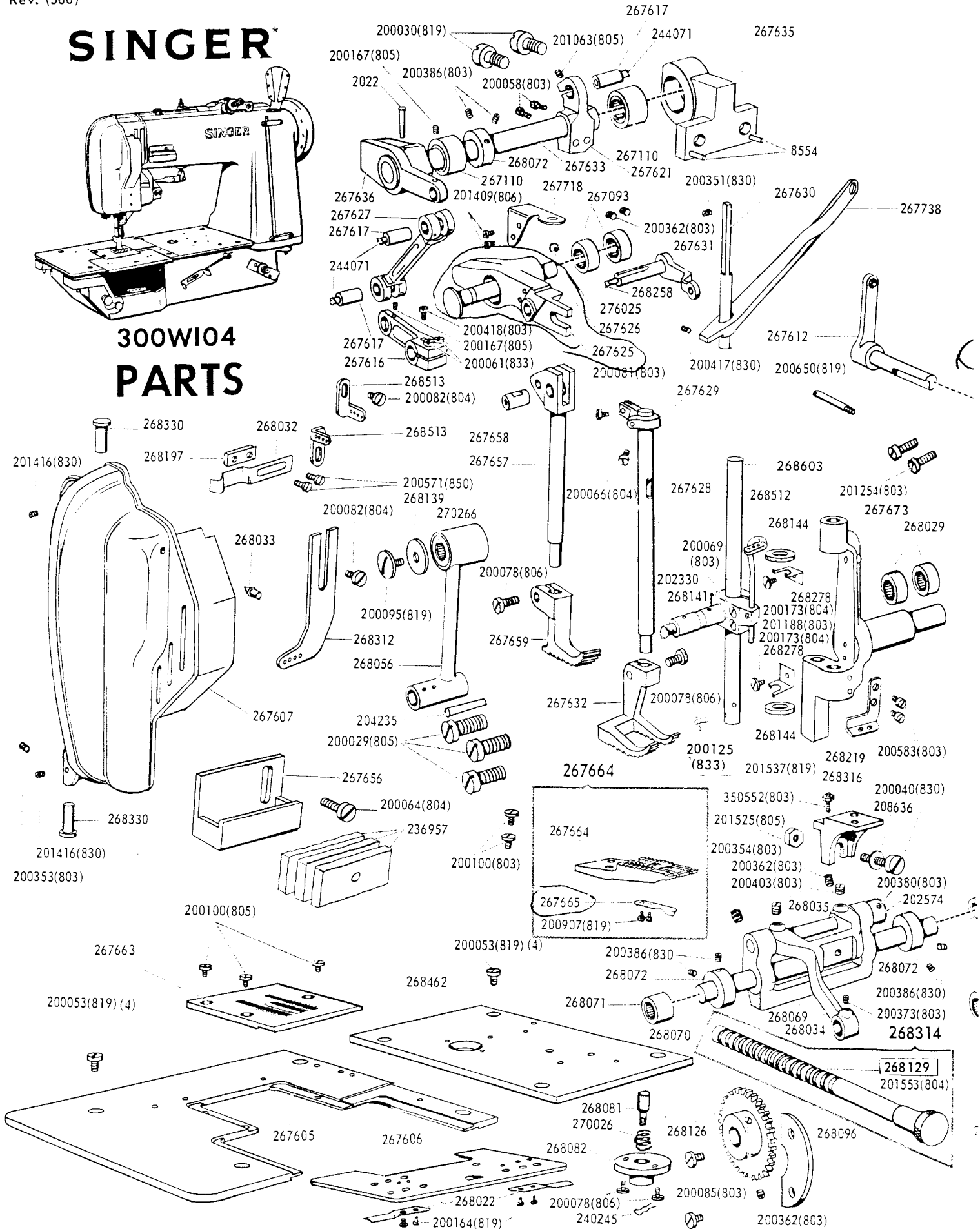
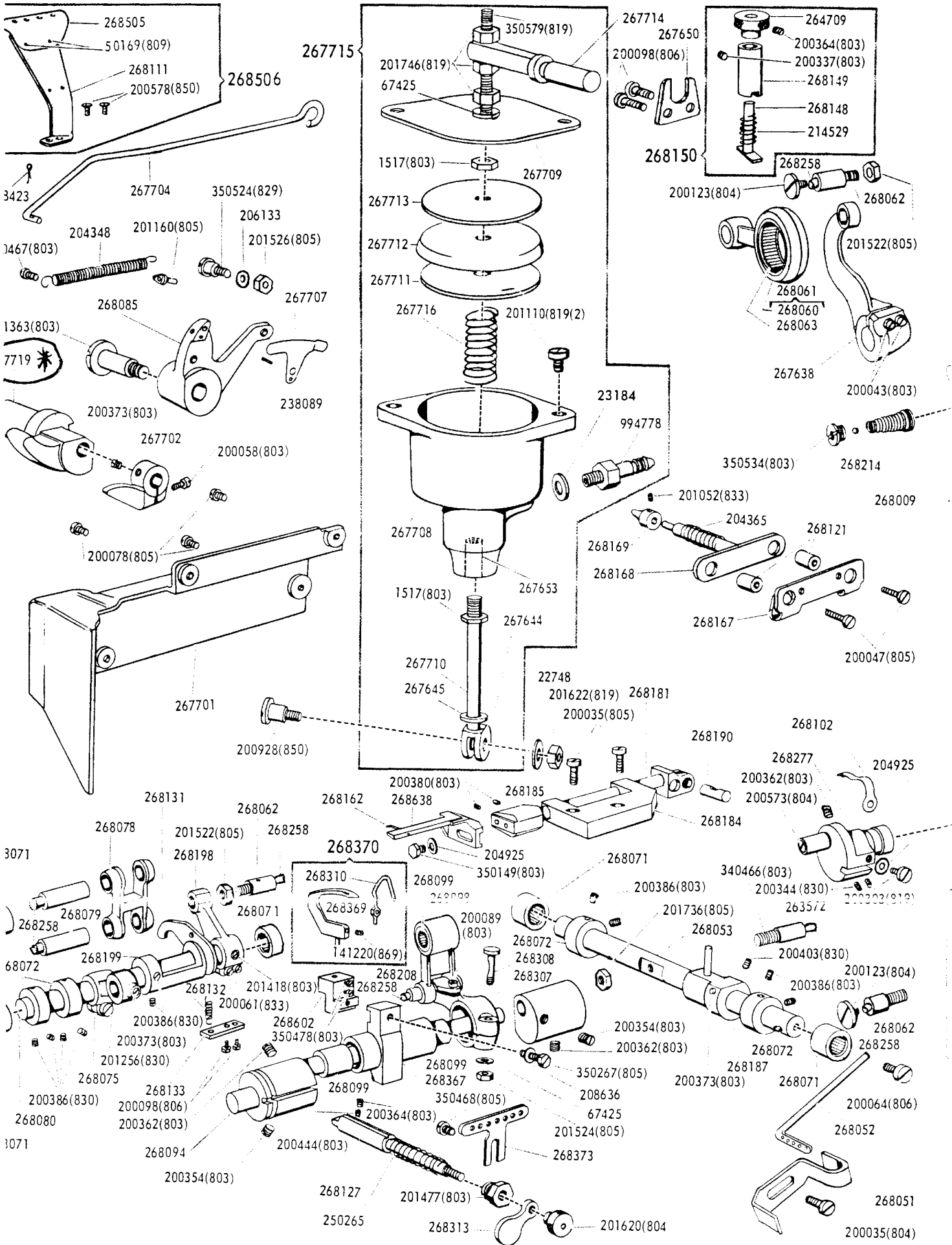


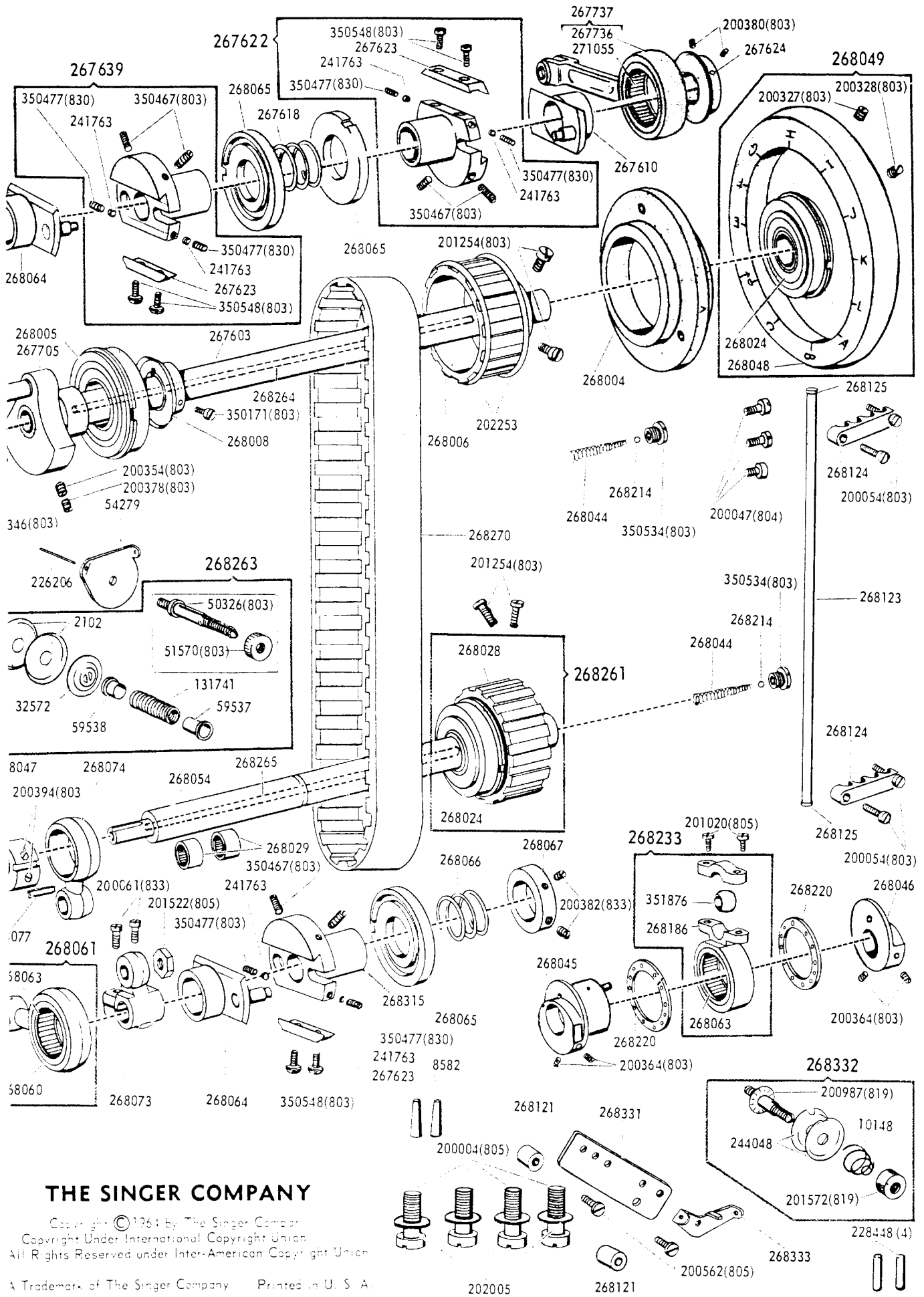
# SINGER\*



## 300WI04 PARTS







# THE SINGER COMPANY

Copyright © 1964 by The Singer Company  
 Copyright Under International Copyright Union  
 All Rights Reserved under Inter-American Copyright Union

A Trademark of The Singer Company Printed in U. S. A.

# NUMERICAL LIST OF PARTS 300W104 MACHINE

PART NO.	DESCRIPTION	PART NO.	DESCRIPTION	PART NO.	DESCRIPTION
1517(803)	Presser Bar Pressure Cylinder Plunger Nut (2)	200362(803)	Looper Driving Crank Set Screw	204235	Arm Head Position Pin
2022	Lifting Rock Shaft Crank Pin	200362(803)	Looper Throw-out Gear Set Screw (2)	204348	Foot Lifter Lever Spring
2102	Needle Thread Tension Disc (2)	200364(803)	Spreader Driving Eccentric Counter-balance Set Screw (2)	204365	Needle Thread Tension Releaser Spring
8554	Lifting Rock Shaft Bracket Position Pin (2)	200364(803)	Spreader Driving Eccentric Set Screw (2)	204925	Looper Driving Crank Oil Hole Cover Screw Washer
8582	Arm Position Pin (2)	200364(803)	Looper Throw-out Gear Locking Plunger Stop Screw Set Screw	204925	Spreader Screw Washer
10148	Looper Thread Tension Spring	200364(803)	Needle Bar Rock Frame Regulating Stud Cap Set Screw	206133	Foot Lifter Lever Rod Hinge Screw Washer
268129	Looper Throw-out Rack Rod	200373(803)	Feed Lifting Link Hinge Pin Set Screw (2)	208636	Feed Dog Shank Screw Washer
268314	Looper Throw-out Rack Rod 268129 with 201553(804)	200373(803)	Foot Lifter Arm Set Screw	208636	Looper Holder Screw Washer
22748	Presser Bar Spring Arm Hinge Screw Washer	200373(803)	Spreader Driving Crank Position Screw	214529	Needle Bar Rock Frame Regulating Stud Spring
32572	Needle Thread Tension Releasing Disc	200373(803)	Needle Bar Crank Position Screw Check Screw	226206	Needle Thread Tension Releasing Pin Machine Locating Stud (4)
50169(809)	Looper Thread Guide (top of Arm) Bracket Screw (2)	200378(803)	Feed Bar Hinge Pin Collar Set Screw	236957	Thread Lubricator Oil Pad (felt) (3)
50326(803)	Needle Thread Tension Stud	200380(803)	Lifting Eccentric Spacing Collar Set Screw (2)	238089	Needle Thread Tension Releasing Plate Pin
51570(803)	Needle Thread Tension Thumb Nut	200380(803)	Spreader Holder Set Screw (2)	240245	Feed Regulating Stud Retaining Spring
54279	Needle Thread Tension Thread Guide (double)	200390(803)	Feed Driving Eccentric Adjusting Disc Spring Collar Set Screw (2)	241763	Feed Driving Eccentric Friction Plate Screw Set Screw Packing (brass) (2)
59537	Needle Thread Tension Spring Bushing (front)	200382(833)	Feed Driving Rock Shaft Collar Set Screw (4)	241763	Lifting Eccentric Friction Plate Screw Set Screw Packing (brass) (2)
59538	Needle Thread Tension Spring Bushing (back)	200386(830)	Feed Lifting Rock Shaft Collar Set Screw (4)	241763	Needle Bar Rock Frame Driving Eccentric Friction Plate Screw Set Screw Packing (brass) (2)
59539	Needle Thread Tension Stud 50326(803) with 51570(803)	200396(803)	Lifting Rock Shaft Collar Set Screw (2)	244048	Looper Thread Tension Disc (2)
67425	Looper Carrier Crank Clamping Stud Washer	200396(803)	Lifting Rock Shaft Collar Set Screw (2)	244071	Lifting Eccentric Connection Hinge Pin Oil Packing (wick)
67425	Presser Bar Pressure Cylinder Support Stud Nut Lock Washer	200386(830)	Looper Throw-out Safety Latch Collar Set Screw (2)	244071	Lifting Link Hinge Pin Oil Packing (wick)
131741	Needle Thread Tension Spring Needle Guard Set Screw	200386(803)	Spreader Driving Rock Shaft Collar Set Screw (4)	250265	Looper Throw-out Gear Locking Plunger Spring
141220(869)	Arm Screw (4)	200394(803)	Feed Lifting Eccentric Set Screw (2)	263572	Spreader Driving Rock Shaft Screw Stud Oil Packing (wick)
200004(805)	Arm Head Screw (3)	200403(803)	Feed Bar Set Screw (2)	264709	Needle Bar Rock Frame Regulating Stud Cap with 200364(803)
200029(805)	Lifting Rock Shaft Bracket Screw (2)	200403(803)	Spreader Driving Crank Set Screw	267793	Lifting Lever Needle Bearing (2)
200030(813)	Looper Thread Guide Screw	200417(803)	Lifting Presser Bar Guide Rod Set Screw (lower)	267110	Lifting Rock Shaft Needle Bearing (2)
200035(804)	Spreader Bar Bearing Screw (2)	200444(803)	Looper Throw-out Gear Locking Plunger Stop Screw	267693	Arm Shaft with 268609, 264044, 268264, two each 266214 and 350534(803)
200035(805)	Feed Dog Shank Screw	200562(805)	Looper Thread Tension Bracket Screw (2)	267695	Bed Plate (left)
200040(830)	Needle Bar Rock Frame Driving Arm Pinch screw (2)	200571(850)	Face Plate Lock Spring Screw (2)	267696	Bed Plate Slide with two 266022 and four 200164(817)
200043(803)	Arm Shaft Ball Bearing (back) Housing Screw (3)	200573(804)	Looper Driving Crank Oil Stop Screw	267697	Face Plate with 200358(803), 266033 and two 201416(830)
200047(804)	Needle Thread Tension Bracket Screw (2)	200578(803)	Looper Thread Guide (top of arm) Bracket Screw (2)	267610	Lifting Eccentric Foot Lifter Crank
200055(815)	Bed Plate Screw (8)	200650(819)	Needle Bar Rock Frame Thread Guide Screw (2)	267610	Lifting Crank with 200167(805), 200418(803) and two 200061(833)
200054(803)	Looper Thread Tension Clamp Screw (4)	200928(850)	Foot Lifter Crank Stop Screw Stud Loop Deflector Screw (2)	267617	Lifting Eccentric Connection Hinge Pin with 244071
200058(803)	Foot Lifter Arm Pinch Screw	200947(819)	Presser Bar Spring Arm Hinge Screw	267617	Lifting Link Hinge Pin with 244071 (2)
200058(803)	Lifting Eccentric Connection Crank Pinch Screw (2)	201020(805)	Looper Thread Tension Stud Spreader Driving Connection Cap screw (2)	267618	Lifting Eccentric Adjusting Disc Spring
200061(833)	Feed Driving Rock Shaft Crank Pinch Screw (2)	201052(803)	Needle Thread Tension Releaser Cap Set Screw	267621	Lifting Eccentric Connection Crank with 201063(805) and two 200396(803)
200061(833)	Feed Lifting Rock Shaft Crank Pinch Screw (2)	201103(819)	Lifting Eccentric Connection Hinge Pin Pinch screw	267622	Lifting Eccentric Flange with 267625, two each 241763, 350446(803), 350477(830) and 350548(803)
200061(833)	Feed Lifting Rock Shaft Crank Pinch Screw (2)	201160(805)	Foot Lifter Lever Spring Screw Eye Nut	267623	Feed Driving Eccentric Friction Plate Needle Bar Rock Frame Driving Eccentric Friction Plate
200061(833)	Feed Lifting Rock Shaft Crank Pinch Screw (2)	201188(805)	Needle Thread Guide (on Needle Bar Connecting Stud) Set Screw	267623	Lifting Eccentric Friction Plate
200061(833)	Feed Lifting Rock Shaft Crank Pinch Screw (2)	201254(803)	Arm Shaft Connection Belt Pulley Set Screw (2)	267623	Lifting Eccentric Friction Plate
200061(833)	Feed Lifting Rock Shaft Crank Pinch Screw (2)	201254(803)	Bed Shaft Connection Belt Pulley Set Screw (2)	267624	Lifting Eccentric Spacing Collar with two 200380(803)
200061(833)	Feed Lifting Rock Shaft Crank Pinch Screw (2)	201254(803)	Presser Bar Spring Arm Fulcrum Set Screw (2)	267625	Lifting Lever with two 267693
200061(833)	Feed Lifting Rock Shaft Crank Pinch Screw (2)	201254(803)	Feed Lifting Crank Pinch Screw	267626	Lifting Lever Hinge Stud
200061(833)	Feed Lifting Rock Shaft Crank Pinch Screw (2)	201254(803)	Foot Lifter Lever Hinge Screw	267626	Lifting Link
200061(833)	Feed Lifting Rock Shaft Crank Pinch Screw (2)	201254(803)	Presser Bar Spring Arm Ball Bearing Retainer Screw (2)	267626	Lifting Presser Bar
200061(833)	Feed Lifting Rock Shaft Crank Pinch Screw (2)	201254(803)	Face Plate Hinge Stud Set Screw (2)	267626	Lifting Presser Bar Guide Block with 200061(804) and 200061(803)
200061(833)	Feed Lifting Rock Shaft Crank Pinch Screw (2)	201254(803)	Feed Lifting Rock Shaft Crank Position Screw	267630	Lifting Presser Bar Guide Rod
200061(833)	Feed Lifting Rock Shaft Crank Pinch Screw (2)	201254(803)	Looper Throw-out Gear Locking Plunger Screw Bushing	267631	Lifting Presser Bar Lifting Crank with 206258
200061(833)	Feed Lifting Rock Shaft Crank Pinch Screw (2)	201254(803)	Feed Driving Connection Hinge Stud Nut	267632	Lifting Presser Foot with 200078(806)
200061(833)	Feed Lifting Rock Shaft Crank Pinch Screw (2)	201254(803)	Feed Lifting Connection Hinge Stud Nut	267633	Lifting Rock Shaft
200061(833)	Feed Lifting Rock Shaft Crank Pinch Screw (2)	201254(803)	Needle Bar Rock Frame Driving Connection Hinge Stud Nut	267634	Lifting Rock Shaft 267633 with 2022 and 267610
200061(833)	Feed Lifting Rock Shaft Crank Pinch Screw (2)	201254(803)	Looper Carrier Crank Clamping Stud Nut	267635	Lifting Rock Shaft Bracket
200061(833)	Feed Lifting Rock Shaft Crank Pinch Screw (2)	201254(803)	Feed Dog Shank Screw Lock Nut	267636	Lifting Rock Shaft Crank with 200167(805)
200061(833)	Feed Lifting Rock Shaft Crank Pinch Screw (2)	201254(803)	Foot Lifter Lever Rod Hinge Screw Nut	267638	Needle Bar Rock Frame
200061(833)	Feed Lifting Rock Shaft Crank Pinch Screw (2)	201254(803)	Feed Dog Shank Adjusting Screw Lock Nut	267638	Needle Bar Rock Frame Driving Arm with two 200396(803)
200061(833)	Feed Lifting Rock Shaft Crank Pinch Screw (2)	201254(803)	Looper Throw-out Rack Rod Thumb Nut	267639	Needle Bar Rock Frame Driving Eccentric Flange with 267623, two each 241763, 350446(803), 350477(830) and 350548(803)
200061(833)	Feed Lifting Rock Shaft Crank Pinch Screw (2)	201254(803)	Looper Thread Tension Thumb Nut	267644	Presser Bar Spring Arm Fork
200061(833)	Feed Lifting Rock Shaft Crank Pinch Screw (2)	201254(803)	Looper Throw-out Gear Locking Plunger Thumb Nut	267645	Presser Bar Spring Arm Fork Lock Washer (brass)
200061(833)	Feed Lifting Rock Shaft Crank Pinch Screw (2)	201254(803)	Presser Bar Spring Arm Hinge Screw Nut	267650	Presser Bar Pressure Cylinder Support Retainer
200061(833)	Feed Lifting Rock Shaft Crank Pinch Screw (2)	201254(803)	Spreader Driving Rock Shaft Screw Stud Nut	267653	Presser Bar Pressure Cylinder Plunger Bushing
200061(833)	Feed Lifting Rock Shaft Crank Pinch Screw (2)	201254(803)	Presser Bar Pressure Cylinder Support Stud Nut (3)	267656	Thread Lubricator with three 336657
200061(833)	Feed Lifting Rock Shaft Crank Pinch Screw (2)	201254(803)	Arm Screw Washer (4)	267657	Vibrating Presser Bar
200061(833)	Feed Lifting Rock Shaft Crank Pinch Screw (2)	201254(803)	Arm Shaft Connection Belt Pulley Spring Flange (2)	267658	Vibrating Presser Bar Hinge Stud
200061(833)	Feed Lifting Rock Shaft Crank Pinch Screw (2)	201254(803)	Needle Bar Connecting Stud Oil Packing (wick)	267658	Vibrating Presser Foot with 200078(806)
200061(833)	Feed Lifting Rock Shaft Crank Pinch Screw (2)	201254(803)	Feed Bar Hinge Pin Collar with 200364(803)	267661	Throat Plate
200061(833)	Feed Lifting Rock Shaft Crank Pinch Screw (2)	201254(803)		267661	Feed Dog, 48 needle hole, with 267605 and two 200907(819), for 267603
200061(833)	Feed Lifting Rock Shaft Crank Pinch Screw (2)	201254(803)		267665	Loop Deflector
200061(833)	Feed Lifting Rock Shaft Crank Pinch Screw (2)	201254(803)		267661	Arm Side Cover

PART NO.	DESCRIPTION	PART NO.	DESCRIPTION	PART NO.	DESCRIPTION
267702	Foot Lifter Arm with 200058(803) and 200373(803)	268069	Feed Driving Rock Frame with 200354(803) and 200362(803)	268258	Looper Carrier Crank Hinge Pin Oil Packing (wick)
267704	Foot Lifter Lever Rod with 248423	268070	Feed Driving Rock Shaft	268258	Needle Bar Rock Frame Driving Connection Hinge Stud Oil Packing (wick)
267705	Needle Bar Crank with 200346(803), 200354(803) and 200378(803)	268071	Feed Lifting Rock Shaft Needle Bearing (2)	268261	Bed Shaft Connection Belt Pulley 268028 with 268024
267706	Needle Bar Crank 267705 with 268005	268071	Feed Lifting Rock Shaft Needle Bearing (2)	268263	Needle Thread Tension complete, Nos. 32572, 59537, 59538, 59539, 131741 and two 2102
267707	Needle Thread Tension Releasing Plate (adjustable)	268072	Feed Driving Rock Shaft Collar with two 200386(830) (2)	268264	Arm Shaft Oil Control Rod (wood)
267708	Presser Bar Pressure Cylinder with 267653	268072	Feed Lifting Rock Shaft Collar with two 200386(803) (2)	268265	Bed Shaft Oil Control Rod (wood)
267709	Presser Bar Pressure Cylinder Cap	268072	Lifting Rock Shaft Collar with two 200386(803)	268270	Arm Shaft Connection Belt (reinforced neoprene)
267710	Presser Bar Pressure Cylinder Plunger	268072	Spreader Driving Rock Shaft Collar with two 200386(803) (2)	268277	Looper Driving Crank with 200362(803), 200573(804) and two 200344(830)
267711	Presser Bar Pressure Cylinder Plunger Disc	268073	Feed Driving Rock Shaft Crank with two 200061(833)	268278	Needle Bar Oiling Feat Holder (2)
267712	Presser Bar Pressure Cylinder Plunger Washer (leather)	268074	Feed Lifting Connection	268307	Looper Carrier Crank with 200089(803)
267713	Presser Bar Pressure Cylinder Plunger Washer (steel)	268075	Feed Lifting Crank with 200373(803) and 201256(830)	268308	Looper Carrier Crank Clamping Stud
267714	Presser Bar Pressure Cylinder Support	268077	Feed Lifting Eccentric Lubricating Pad (wood)	268310	Needle Guard
267715	Presser Bar Pressure Cylinder complete, Nos. 67425, 267644, 267645, 267708, 267709, 267710, 267711, 267712, 267713, 267716, 350579(819), 931758, 994778, two each 1517(803), 201110(819) and three 201746(819)	268078	Feed Lifting Link	268312	Needle Thread Guide (on Arm Head)
267716	Presser Bar Spring	268079	Feed Lifting Link Hinge Pin with 268258 (2)	268313	Looper Throw-out Gear Locking Plunger Handle
267718	Presser Bar Spring Arm Bail Bearing Retainer	268080	Feed Lifting Rock Shaft	268315	Feed Driving Flange with 267623, two each 241763, 350467(803), 354477(830) and 350548(803)
267719	Presser Bar Spring Arm Fulcrum	268081	Feed Regulating Stud	268316	Feed Dog Shank with 201517(819) and 350522(803)
267736	Lifting Eccentric Connection	268082	Feed Regulating Stud Socket	268330	Face Plate Hinge Stud (2)
267737	Lifting Eccentric Connection 267736 with 271055	268083	Foot Lifter Lever with 238089	268331	Looper Thread Tension Bracket
267738	Presser Bar Spring Arm	268084	Looper Carrier Shaft 268093 with 268095 and 268097	268332	Looper Thread Tension complete, Nos. 10148, 200987(819), 201572(819) and two 244046
268004	Arm Shaft Bail Bearing (back) Housing	268096	Looper Carrier Shaft Bushing (left) Position Plate	268333	Looper Thread Tension Thread Guide
268005	Arm Shaft Bail Bearing (front)	268098	Looper Driving Connection	268367	Looper Carrier
268006	Arm Shaft Connection Belt Pulley with two each 201254(803) and 200253	268099	Looper Driving Connection Needle Bearing	268368	Looper Carrier 268367 with two 268094
268006	Arm Shaft Oil Slinger with 350171(803)	268099	Looper Carrier Needle Bearing (2)	268369	Looper with 141220(804)
268009	Arm Shaft Oil Stop Ball Spring (front)	268102	Looper Driving Crank Oil Hole Cover	268371	Looper and Needle Guard complete, Nos. 268311 and 26836-
268022	Bed Plate Slide Spring (2)	268111	Looper Thread Guide (top of Arm) Bracket	268373	Looper Thread Guide (located at looper) for all gauges from 3/16 to 2 inches
268024	Arm Shaft Bail Bearing (back)	268121	Looper Thread Tension Bracket	268462	Bed Plate (steel)
268024	Bed Shaft Bail Bearing	268121	Needle Thread Tension Bracket Spacing Collar (2)	268463	Looper Thread Guide (top of Arm)
268028	Bed Shaft Connection Belt Pulley with two 201254(803)	268123	Looper Thread Tube with two 268125	268465	Looper Thread Guide (top of Arm) Bracket 268111 with 268055 and two 35149(830)
268029	Bed shaft Needle Bearing (2)	268124	Looper Thread Tube Clamp (2)	268512	Needle Thread Guide (on Needle Bar Connecting Stud)
268029	Needle Bar Rock Frame Needle Bearing (2)	268125	Looper Thread Tube Thread Bushing (2)	268513	Needle Thread Guide (on side of Arm) (2)
268032	Face Plate Lock Spring	268126	Looper Throw-out Gear with two 200362(803)	268602	Looper Holder with two 350476(803)
268033	Face Plate Lock Stud	268127	Looper Throw-out Gear Locking Plunger	268606	Spreader with 268102
268034	Feed Bar with 200375(803) and two 200403(830)	268131	Looper Throw-out Safety Latch	270026	Feed Regulating Stud Spring
268035	Feed Bar Hinge Pin	268132	Looper Throw-out Safety Latch Spring	270200	Needle Bar Connecting Link Needle Bearing (2)
268044	Arm Shaft Oil Stop Ball Spring (rear)	268133	Looper Throw-out Safety Latch Spring Bracket	271055	Lifting Eccentric Connection Needle Bearing
268044	Bed Shaft Oil Stop Ball Spring	268603	Needle Bar	276025	Presser Bar Spring Arm Bail Bearing
268045	Spreader Driving Eccentric with two 200364(803)	268134	Needle Bar Connecting Link Cap Washer	284423	Foot Lifter Lever Rod Cutter Pin
268046	Spreader Driving Eccentric Counterbalance with two 200364(803)	268141	Needle Bar Connecting Stud with 200364(803) and two 200364(803)	340400(803)	Spreader Driving Rock Shaft Screw Stud with 261572
268047	Feed Lifting Eccentric with 268077 and two 200394(803)	268144	Needle Bar Oiling Feat (2)	350144(803)	Spreader screw
268048	Machine Pulley (aluminum alloy casting) for "W" belt (outside diameter of belt groove 2.9 inches) with 200327(803) and 200328(803)	268148	Needle Bar Rock Frame Regulating Stud	350171(803)	Arm Shaft Oil Slinger Set screw
268049	Machine Pulley 268048 with 268924	268149	Needle Bar Rock Frame Regulating Stud Sleeve	350267(805)	Looper Holder Screw
268051	Looper Thread Guide	268150	Needle Bar Rock Frame Regulating Stud complete, Nos. 214529, 264739, 268148 and 268149	350467(803)	Feed Driving Flange Set screw (2)
268052	Looper Thread Take-up Rod	268162	Spreader Point	350467(803)	Foot Lifter Lever (back) Spring Screw
268053	Spreader Driving Rock Shaft with 200364(803)	268167	Needle Thread Tension Bracket	350467(803)	Lifting Eccentric Flange Set Screw (2)
268054	Bed Shaft with 268044, 268214, 268265 and 350534(803)	268168	Needle Thread Tension Releaser	350468(805)	Needle Bar Rock Frame Driving Eccentric Flange Set screw (2)
268056	Needle Bar Connecting Link 268055 with two 270200	268169	Needle Thread Tension Releaser Cap with 211052(833)	350477(830)	Looper Thread Guide (on bed at looper) Screw
268060	Feed Driving Connection	268181	Spreader Bar	350477(830)	Feed Driving Eccentric Friction Plate Screw Set Screw (2)
268060	Needle Bar Rock Frame Driving Connection	268184	Spreader Bar Bearing	350477(830)	Lifting Eccentric Friction Plate Screw Set Screw (2)
268061	Feed Driving Connection 268060 with 268063	268185	Spreader Holder with two 200380(803)	350477(830)	Needle Bar Rock Frame Driving Eccentric Friction Plate Screw Set Screw (2)
268061	Needle Bar Rock Frame Driving Connection 268060 with 268063	268186	Spreader Driving Connection with two 201011(803)	350478(803)	Looper Set screw
268062	Feed Driving Connection Hinge Stud with 268253	268187	Spreader Driving Crank with 200373(803) and 200403(830)	350478(803)	Looper Adjusting screw
268062	Feed Lifting Connection Hinge Stud with 268253	268190	Spreader Driving Pin	350524(819)	Foot Lifter Lever Rod Hinge Screw
268062	Needle Bar Rock Frame Driving Connection Hinge Stud with 268253	268198	Face Plate Lock Spring Plate	350534(803)	Arm Shaft Oil Stop Ball Screw (2)
268063	Feed Driving Connection Needle Bearing	268199	Feed Lifting Rock Shaft Crank with 201418(803) and two 200061(833)	350534(803)	Bed Shaft Oil Stop Ball Screw
268063	Needle Bar Rock Frame Driving Connection Needle Bearing	268208	Looper Throw-out Safety Latch Collar with two 200364(803)	350546(803)	Feed Driving Eccentric Friction Plate Screw (2)
268063	Spreader Driving Connection Needle Bearing	268214	Looper Carrier Crank Hinge Pin with 268253	350546(803)	Lifting Eccentric Friction Plate Screw (2)
268064	Feed Driving Eccentric	268214	Arm Shaft Oil Stop Ball 5/32 in. diam. (2)	350546(803)	Needle Bar Rock Frame Driving Eccentric Friction Plate screw (2)
268064	Needle Bar Rock Frame Driving Eccentric	268216	Bed Shaft Oil Stop Ball	350552(803)	Feed Dog Shank Adjusting screw
268065	Feed Driving Eccentric Adjusting Disc	268216	Looper Driving Connection 268098 with 268099	350579(819)	Presser Bar Pressure Cylinder Support Stud
268065	Lifting Eccentric Adjusting Disc	268219	Needle Bar Rock Frame Thread Guide	351876	Spreader Driving Rock Shaft Screw Stud Bail Roller
268065	Needle Bar Rock Frame Driving Eccentric Adjusting Disc	268220	Spreader Driving Eccentric Thrust Washer (2)	23184	Presser Bar Pressure Cylinder Hose Connection Washer
268066	Feed Driving Eccentric Adjusting Disc Spring	268233	Spreader Driving Connection 268186 with 268093 and 351876	04775	Presser Bar Pressure Cylinder Hose Connection
268067	Feed Driving Eccentric Adjusting Disc Spring Collar with two 200382(853)	268258	Feed Driving Connection Hinge Stud Oil Packing (wick)		
		268258	Feed Lifting Connection Hinge Stud Oil Packing (wick)		
		268258	Feed Lifting Link Hinge Pin Oil Packing (wick) (2)		
		268258	Lifting Presser Bar Lifting Crank Oil Packing (wick)		

## ACCESSORIES

PART NO.	DESCRIPTION
994719	Air Compressor for Electric Transmitters Nos. S47 and S69
995475	Air Filter
160137	Air Hose
265307	Bed Hinge Connection (2)
350598	Bed Hinge Connection Screw (4)
228731	Drip Pan
200019	Drip Pan Screw (4)
232365	Foot Lifter Treadle Chain 41-1/2 in. long
268340	Looper Threading Wire
228452	Machine Base Oil Drain Jar complete
228444	Machine Cushion (neoprene)
228733	Machine Rest (left)
228734	Machine Rest (right)
41400	Machine Rest Pin
Cat. No.	
4112	Needles (62 x 59) Size 23 (6)
267722	Presser Bar Pressure Control Valve complete
228491	Pressure Oiler
228745	Thread Unwinder complete
120341	Tweezers
21887	Wrench