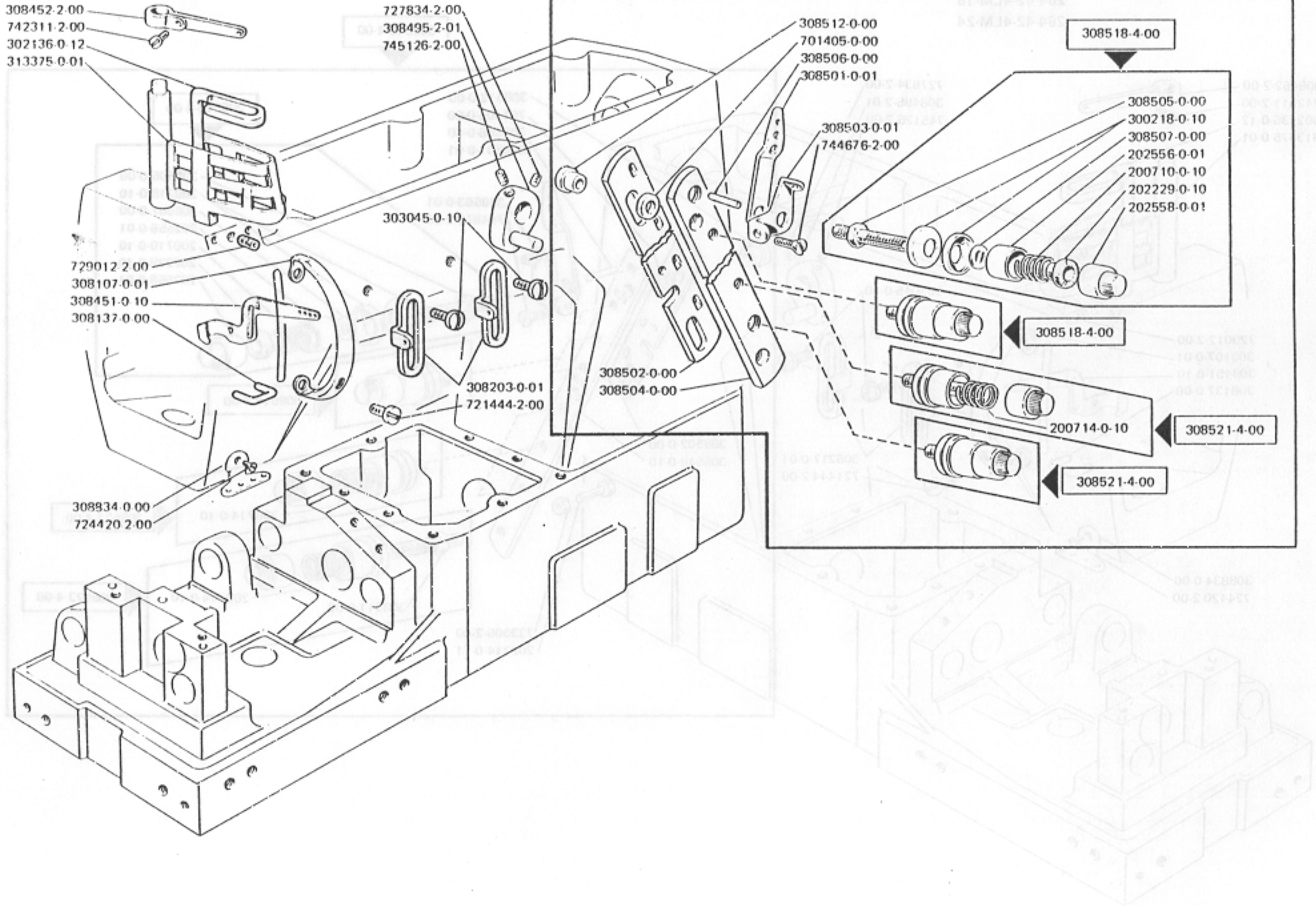
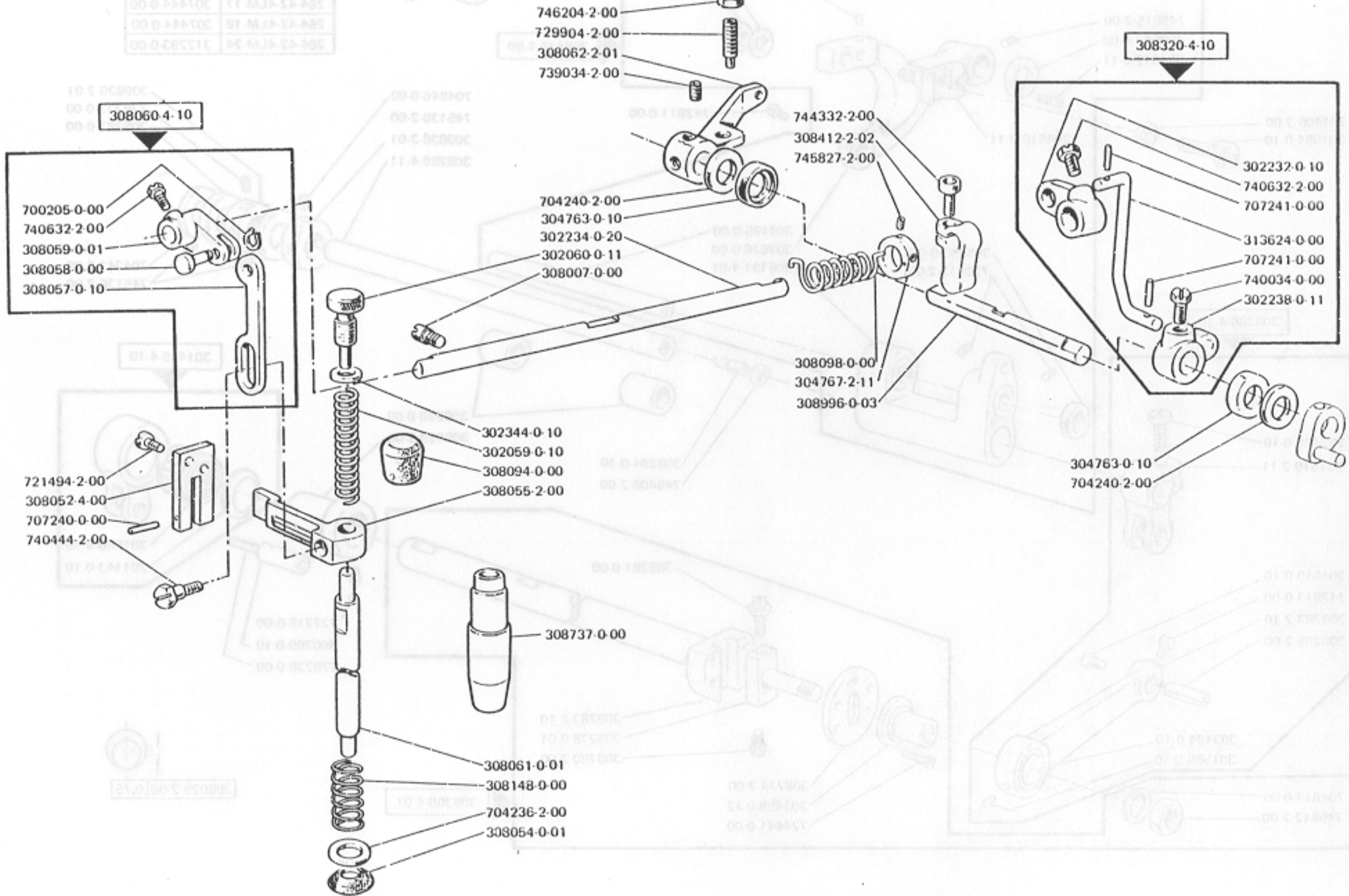
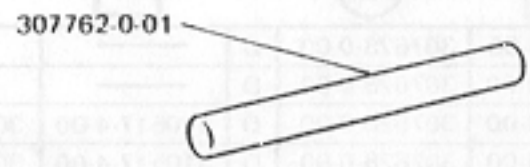
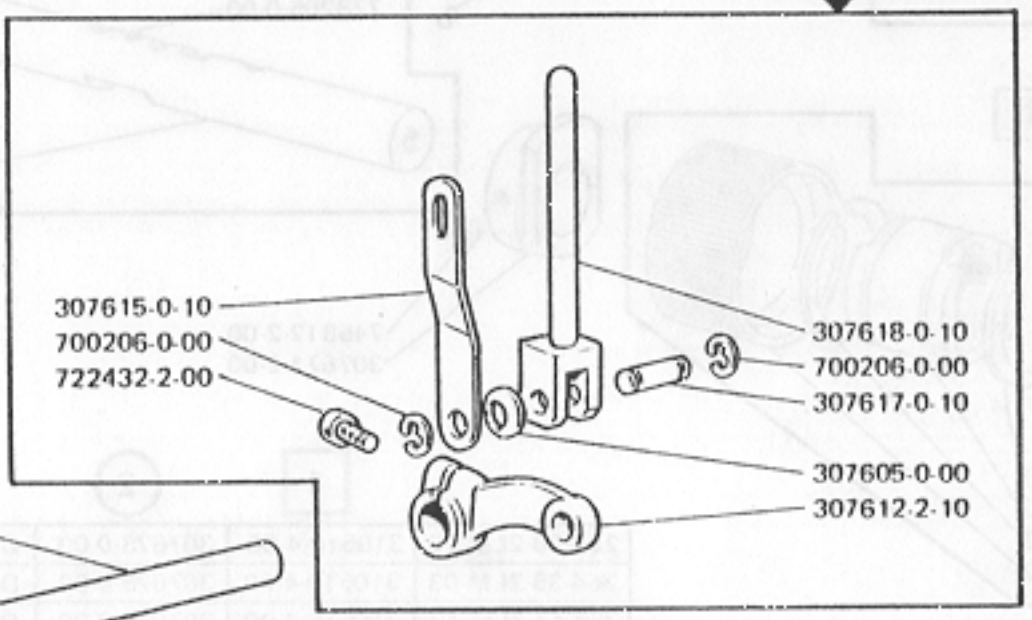
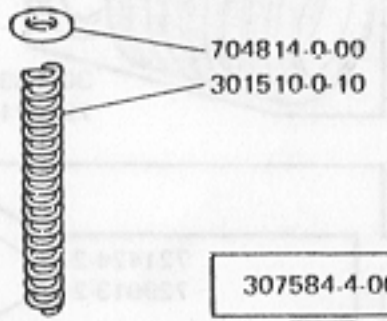
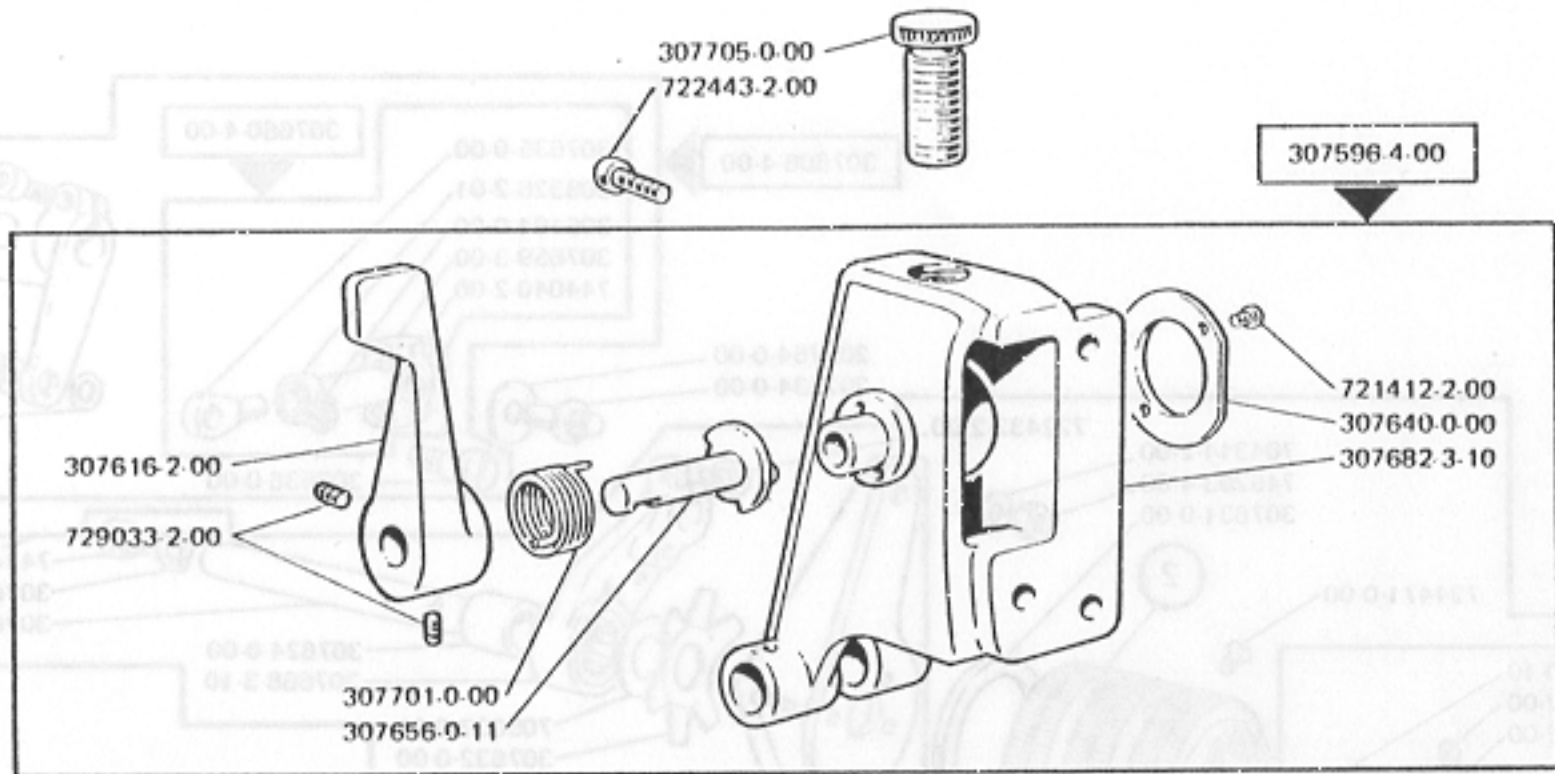


264-38-2LM-02
264-38-2LM-03
264-42-2LM-13
264-42-2LM-15



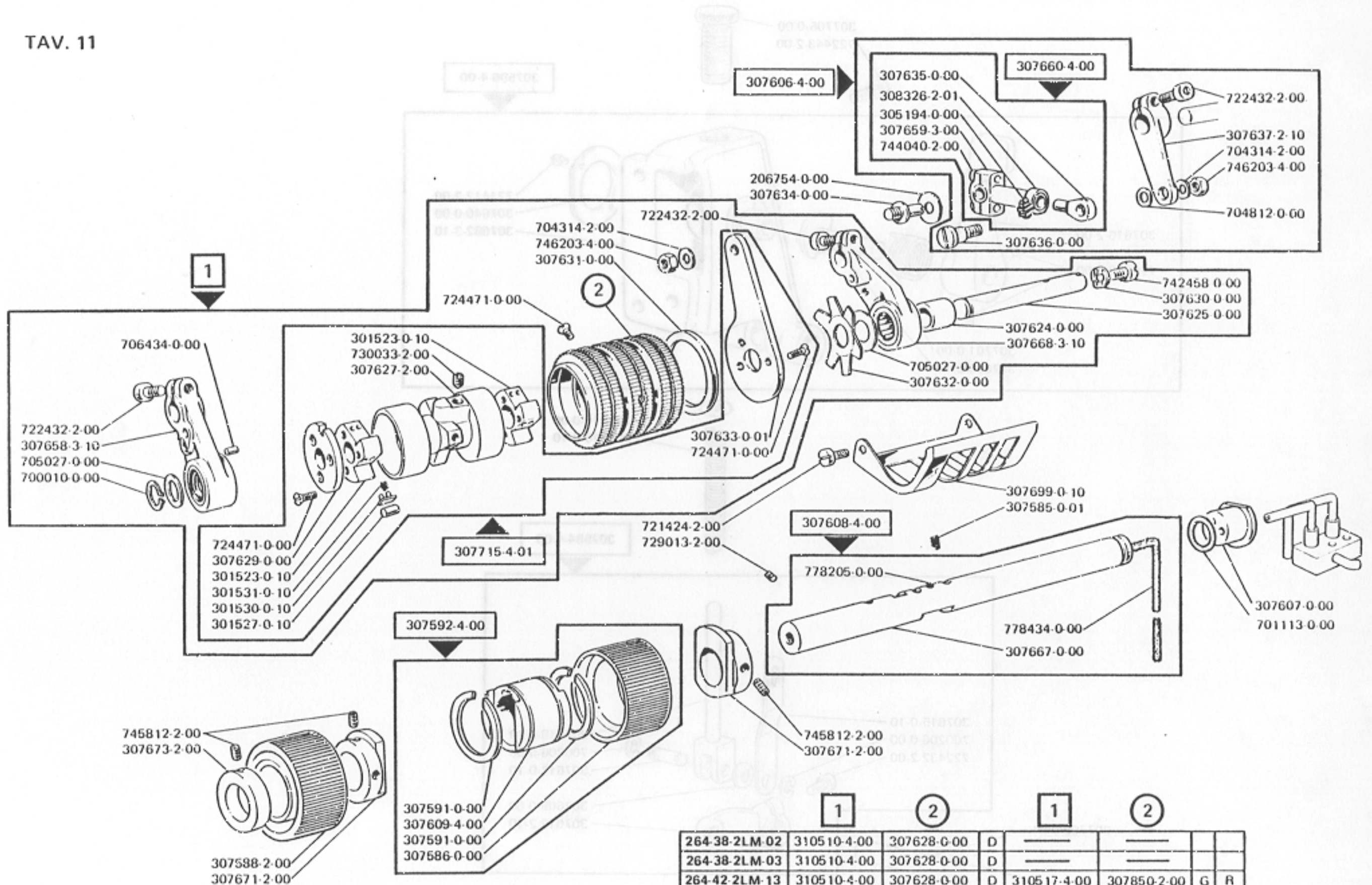
584-43-41M-24	312383-0-00
584-43-41M-19	307444-0-00
584-43-41M-13	307444-0-00
584-43-41M-18	310446-0-00
584-43-41M-03	307184-0-00
584-43-41M-02	307184-0-00
584-43-41M-15	307184-0-00
584-43-41M-14	307184-0-00





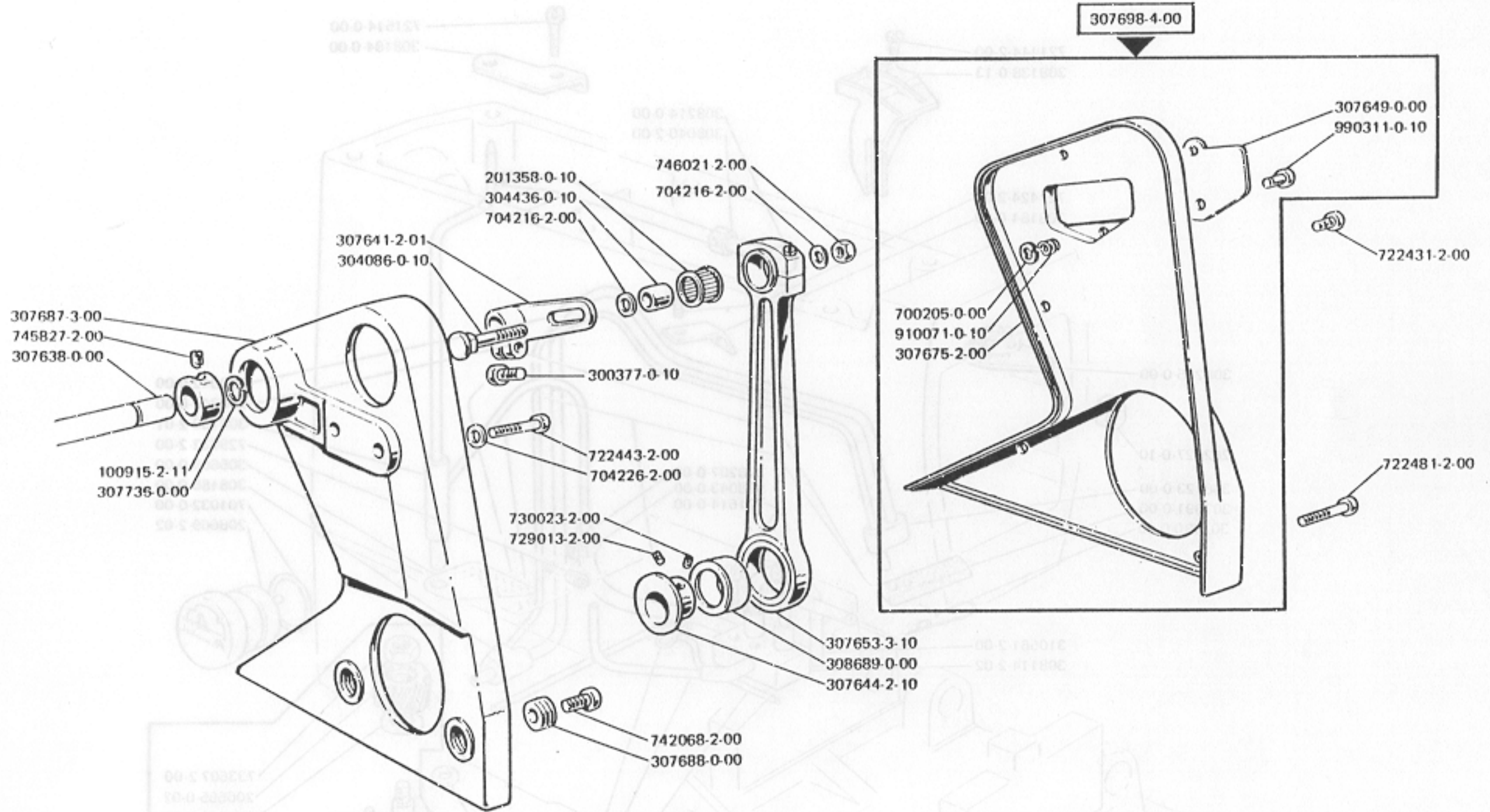
Q	307762-0-01	1	307762-0-01	1	307762-0-01
Q	307615-0-10	1	307615-0-10	1	307615-0-10
Q	700206-0-00	1	700206-0-00	1	700206-0-00
Q	722432-2-00	1	722432-2-00	1	722432-2-00
Q	307618-0-10	1	307618-0-10	1	307618-0-10
Q	700206-0-00	1	700206-0-00	1	700206-0-00
Q	307617-0-10	1	307617-0-10	1	307617-0-10
Q	307605-0-00	1	307605-0-00	1	307605-0-00
Q	307612-2-10	1	307612-2-10	1	307612-2-10

B = NULO BENTATO SPROCKET
 G = NULO GOMATO RUBBER ROLLER
 Z = NULO SIGHIATO KNURLED ROLLER
 R = NULO STA ON REQUEST
 ROULEAU DENTE
 ROULEAU GOMME
 ROULEAU HOLETE

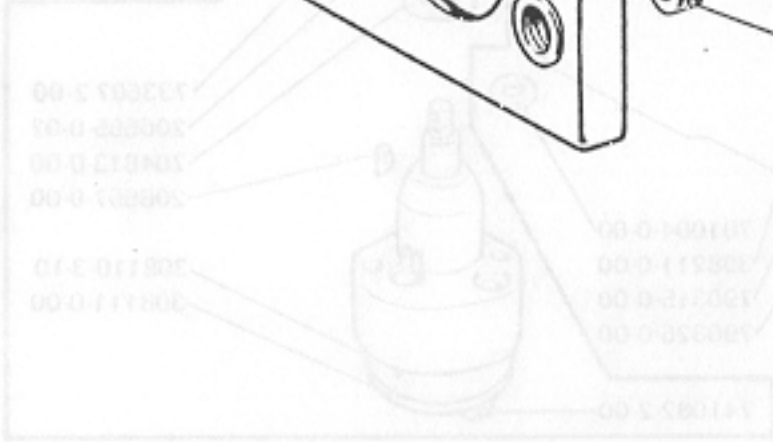


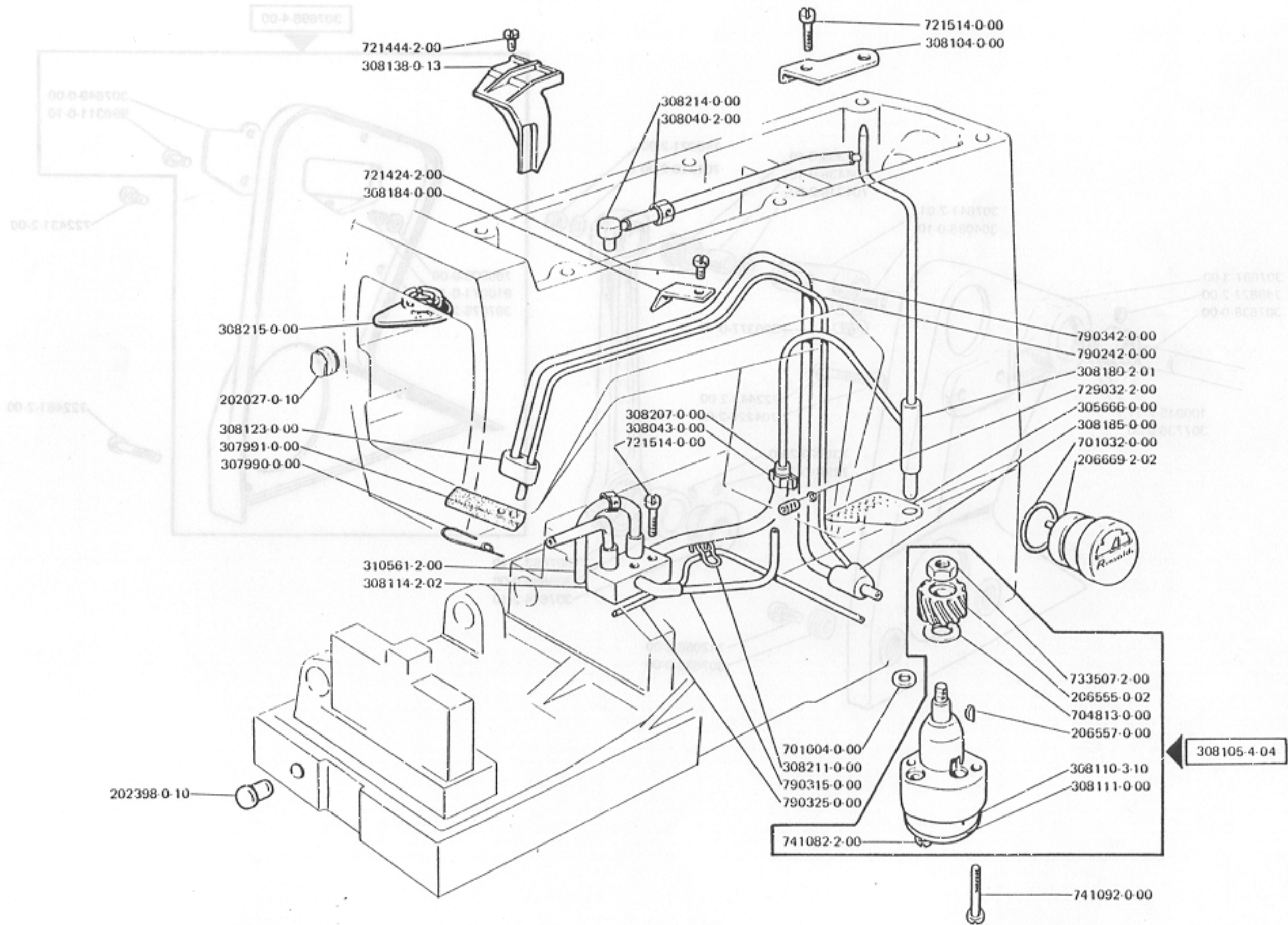
D = RULLO DENTATO SPROCKET ROULEAU DENTE
 G = RULLO GOMMATO RUBBER ROLLER ROULEAU GOMME
 Z = RULLO ZIGRINATO KNURLED ROLLER ROULEAU MOLETTE
 R = A RICHIESTA ON REQUEST SUR DEMANDE

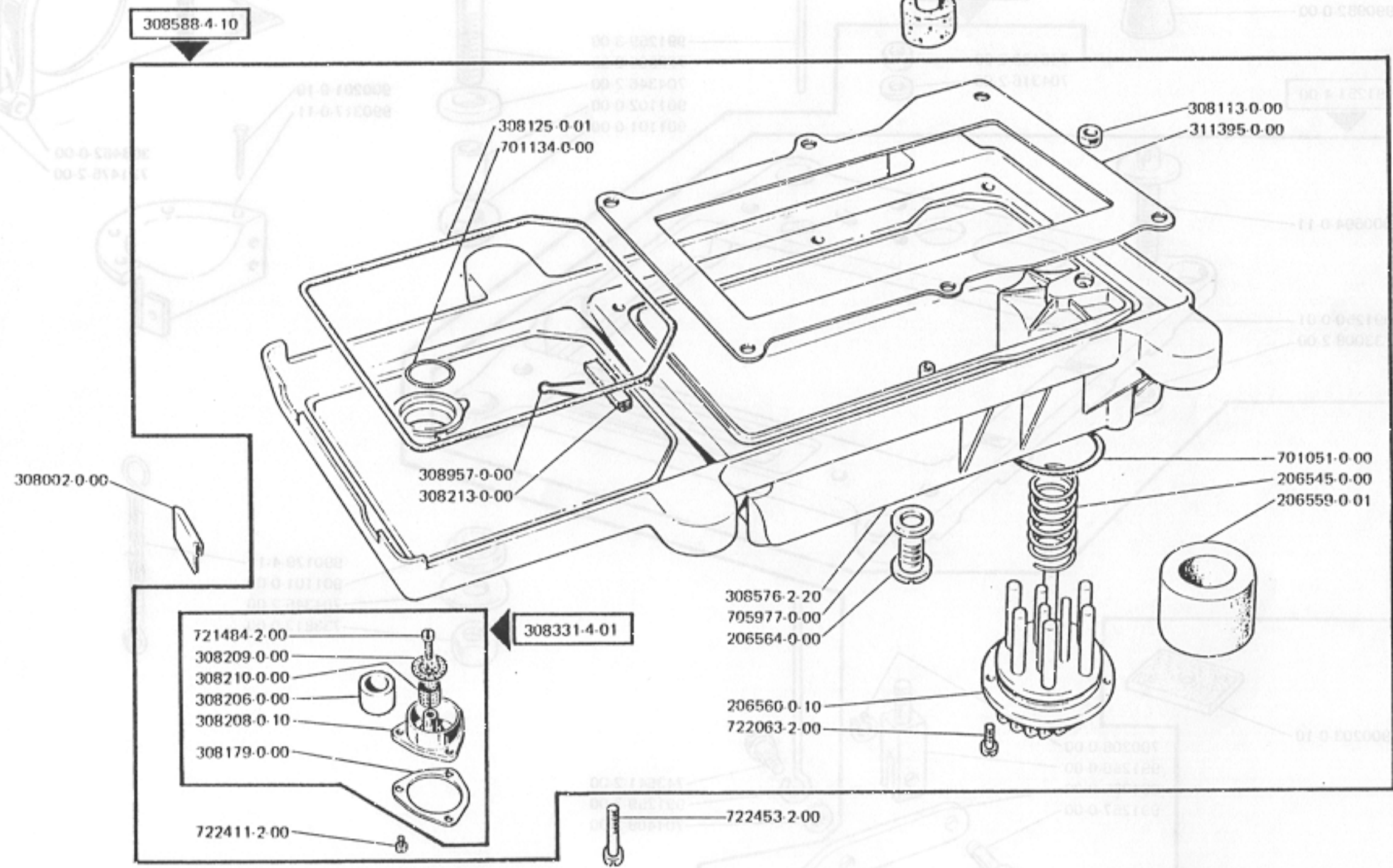
	1	2		1	2		
264-38-2LM-02	310510-4-00	307628-0-00	D	---	---		
264-38-2LM-03	310510-4-00	307628-0-00	D	---	---		
264-42-2LM-13	310510-4-00	307628-0-00	D	310517-4-00	307850-2-00	G	R
264-42-2LM-15	310510-4-00	307628-0-00	D	310517-4-00	307850-2-00	G	R
264-42-4LM-16	310510-4-00	307628-0-00	D	310517-4-00	307850-2-00	G	R
264-42-4LM-17	310510-4-00	307628-0-00	D	310517-4-00	307850-2-00	G	R
264-42-4LM-18	310510-4-00	307628-0-00	D	310517-4-00	307850-2-00	G	R
264-42-4LM-24	310510-4-00	307628-0-00	D	310517-4-00	307850-2-00	G	R
				310511-4-00	311310-0-00	Z	R

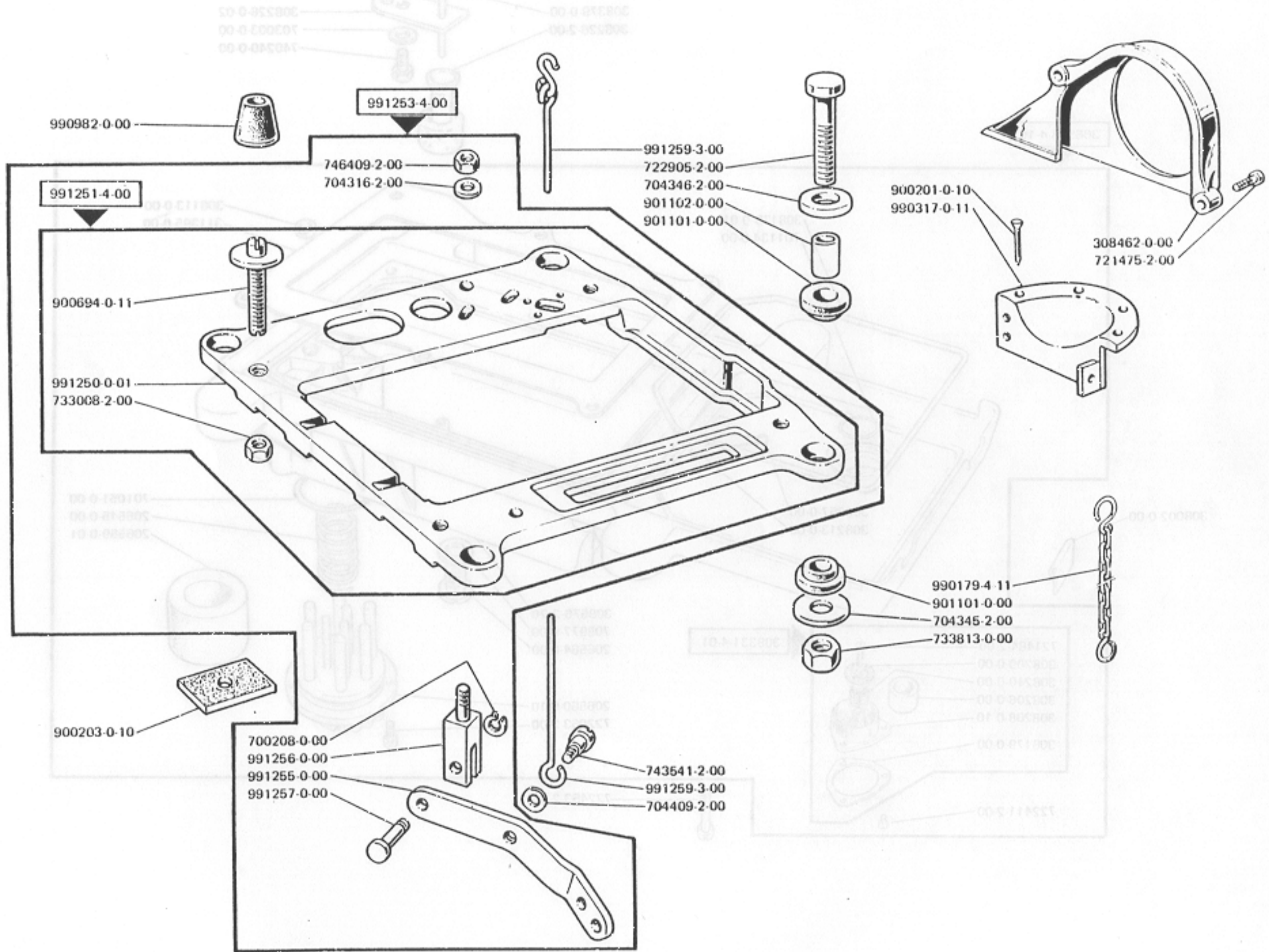


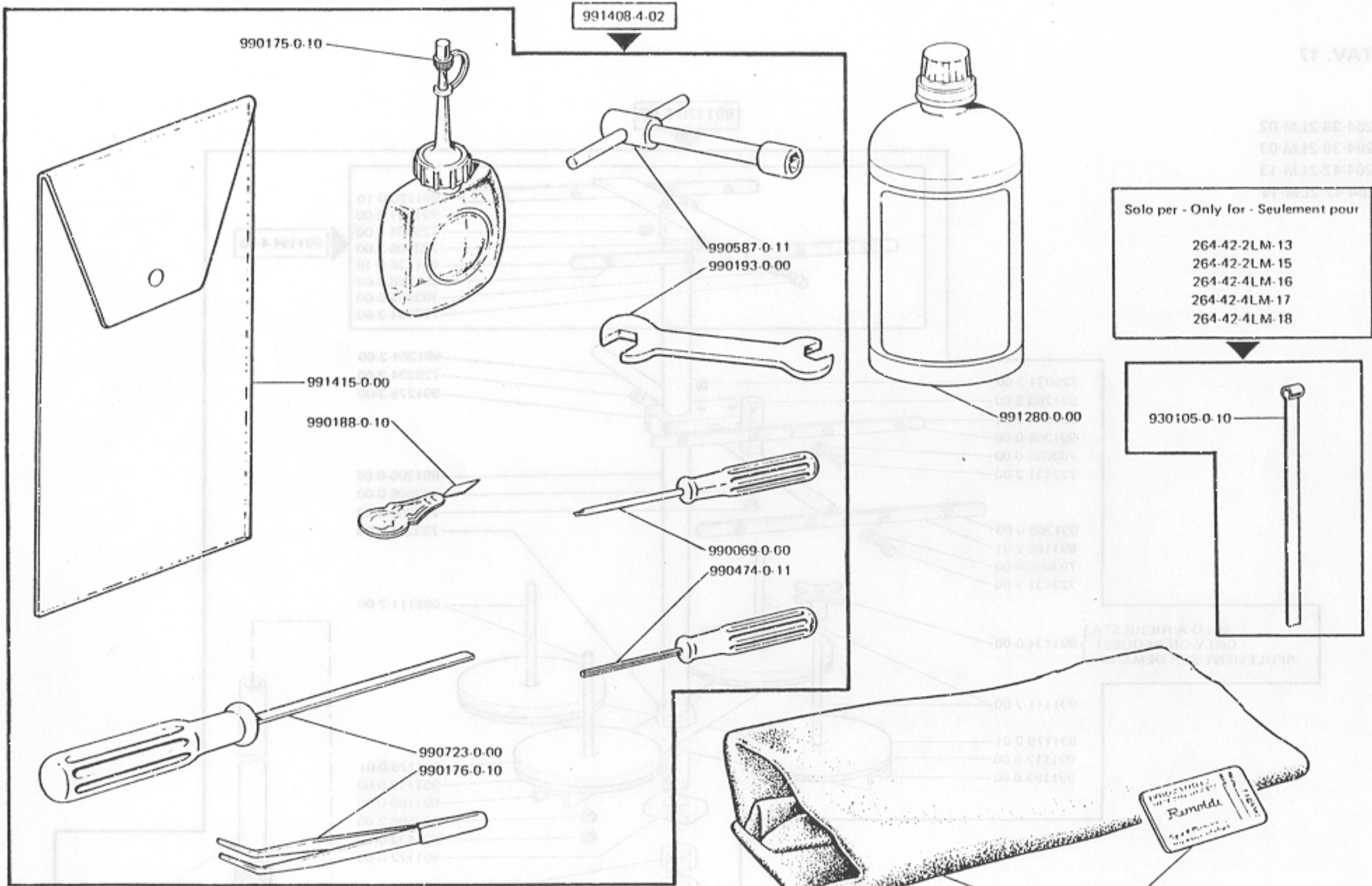
307698-4-00











★ per l'ordinazione della bustina
citare lo stesso simbolo dell'ago
montato sulla testa.

★ to order packet of needles
please specify symbol of
needle fitted on machine.

★ pour commander un sachet
d'aiguille donner le symbol de
l'aiguille montee sur la tete.



TAV. 17

- 264-38-2LM-02
- 264-38-2LM-03
- 264-42-2LM-13
- 264-42-2LM-15

991120 5-02

991194 4-00

- 991126 0-10
- 991247 2-00
- 729034 2-00
- 733505 2-00
- 991126 0-10
- 991268 0-00
- 703005 0-00
- 722431 2-00

- 991264 2-00
- 729034 2-00
- 991279 2-00

- 729034 2-00
- 991269 2-00
- 991108 2-01
- 991268 0-00
- 703005 0-00
- 722431 2-00

- 991268 0-00
- 991108 2-01
- 703005 0-00
- 722431 2-00

- 991206 0-00
- 703005 0-00
- 733806 2-00
- 733211 2-00

991111 2-00

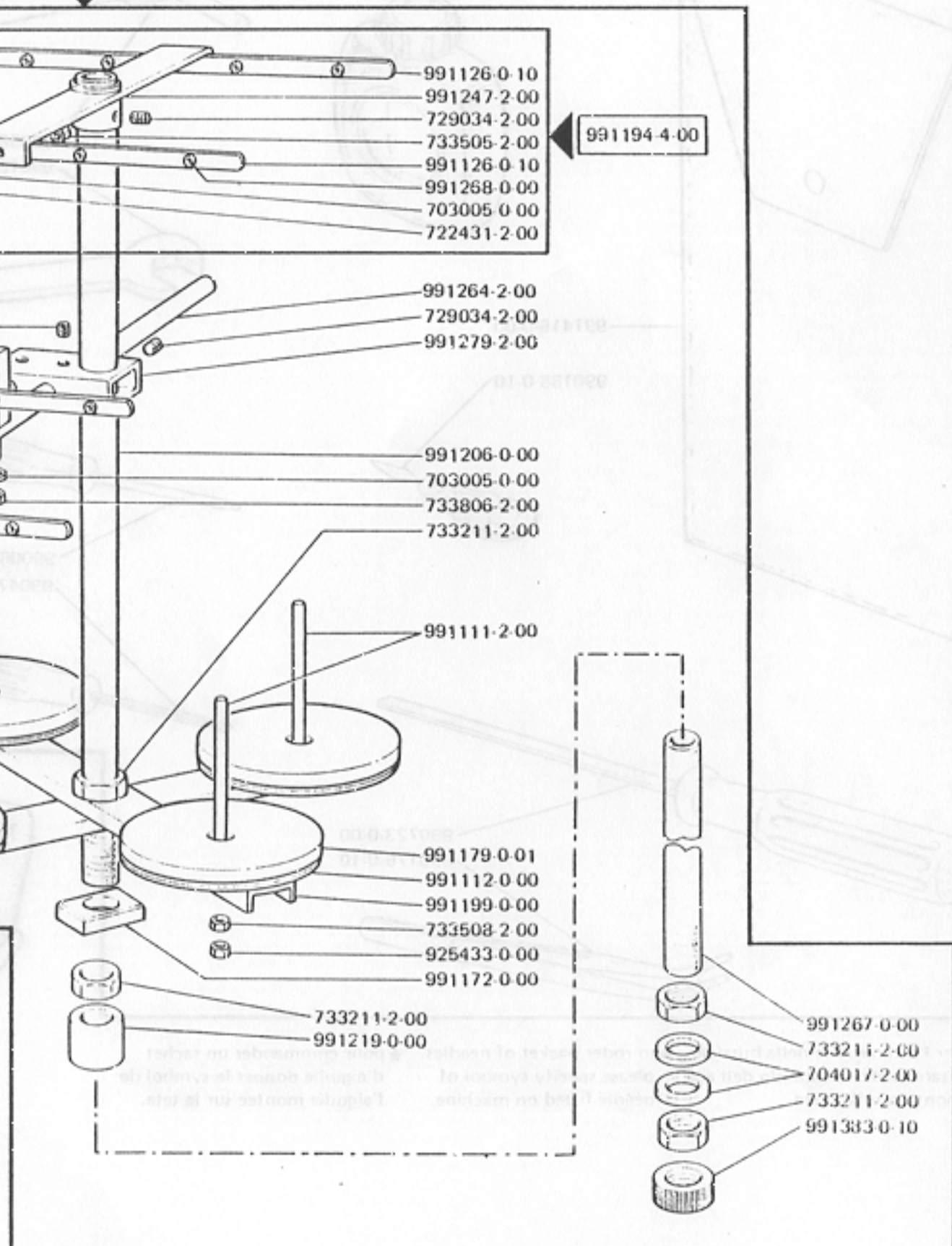
SOLO A RICHIESTA
ONLY ON REQUEST
SEULEMENT SUR DEMANDE

- 991134 0-00
- 991111 2-00
- 991179 0-01
- 991112 0-00
- 991199 0-00

- 991179 0-01
- 991112 0-00
- 991199 0-00
- 733508 2-00
- 925433 0-00
- 991172 0-00

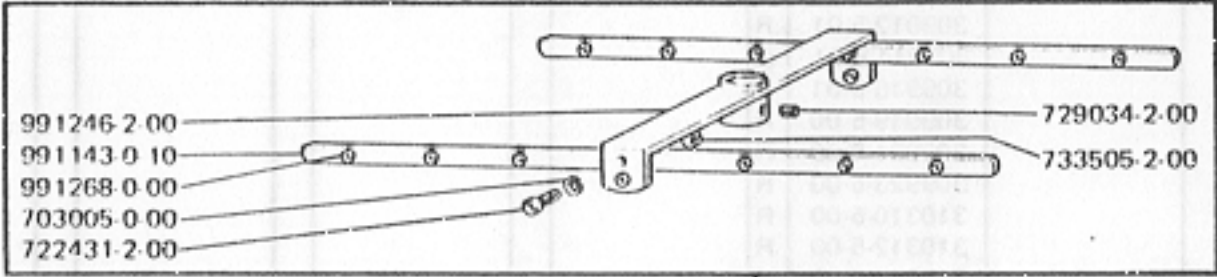
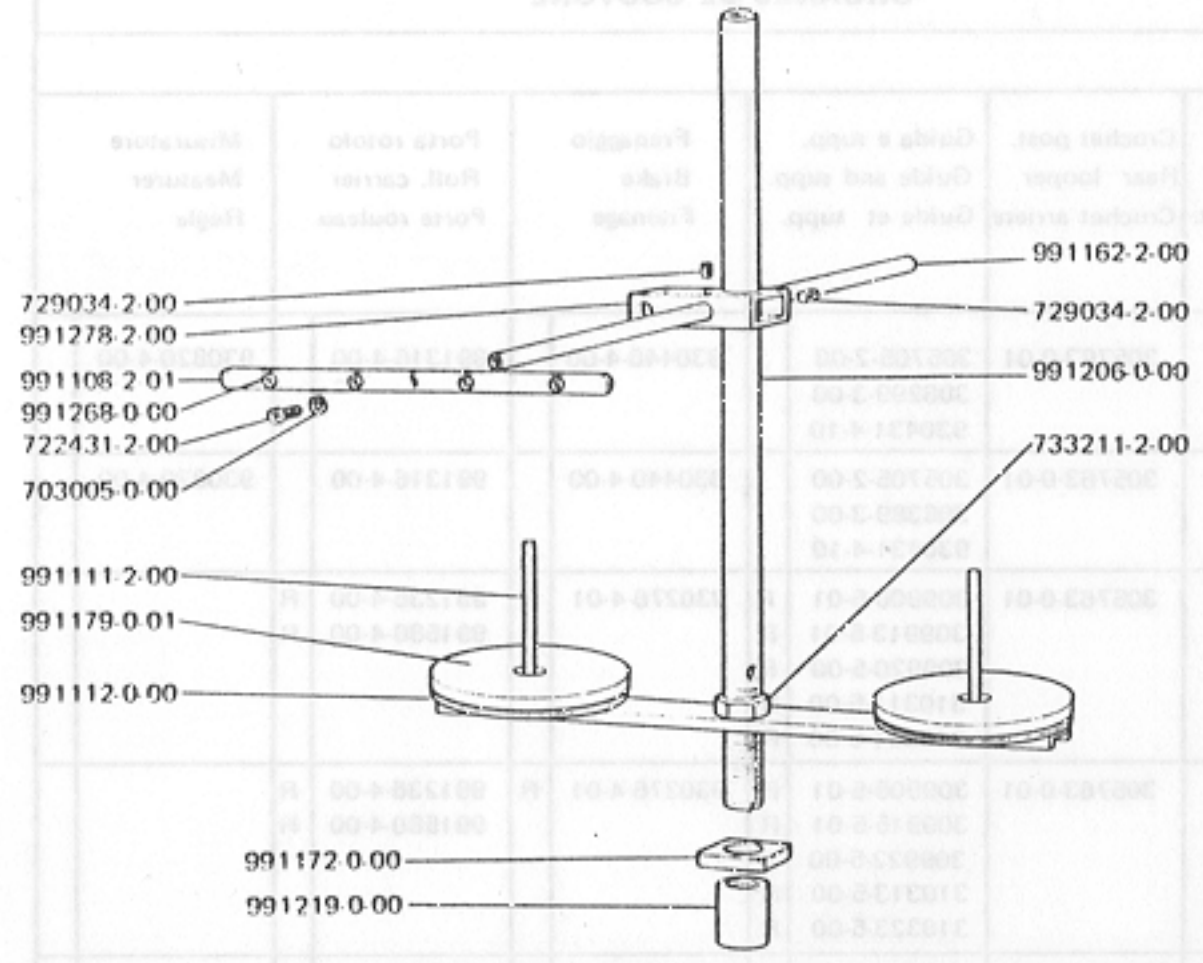
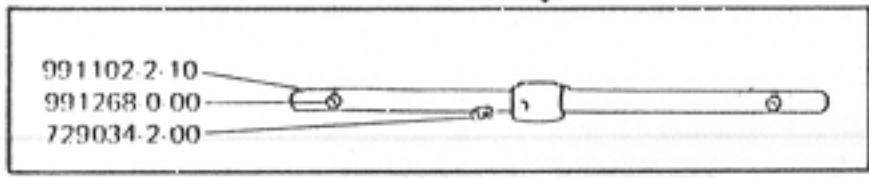
- 733211 2-00
- 991219 0-00

- 991267 0-00
- 733211 2-00
- 704017 2-00
- 733211 2-00
- 991383 0-10

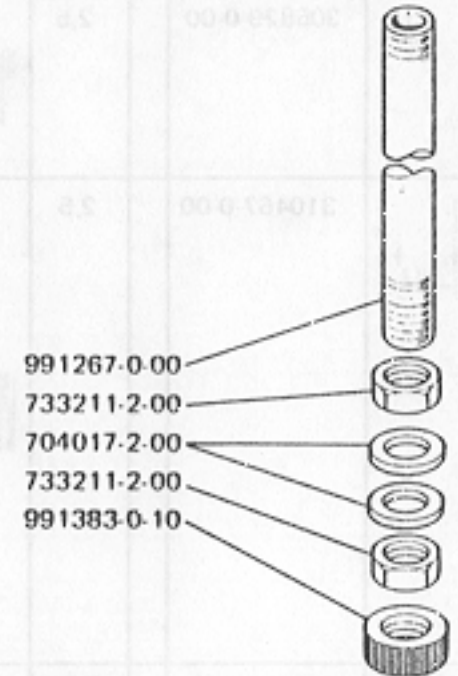
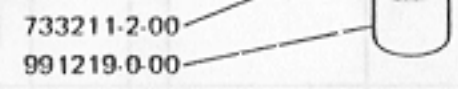
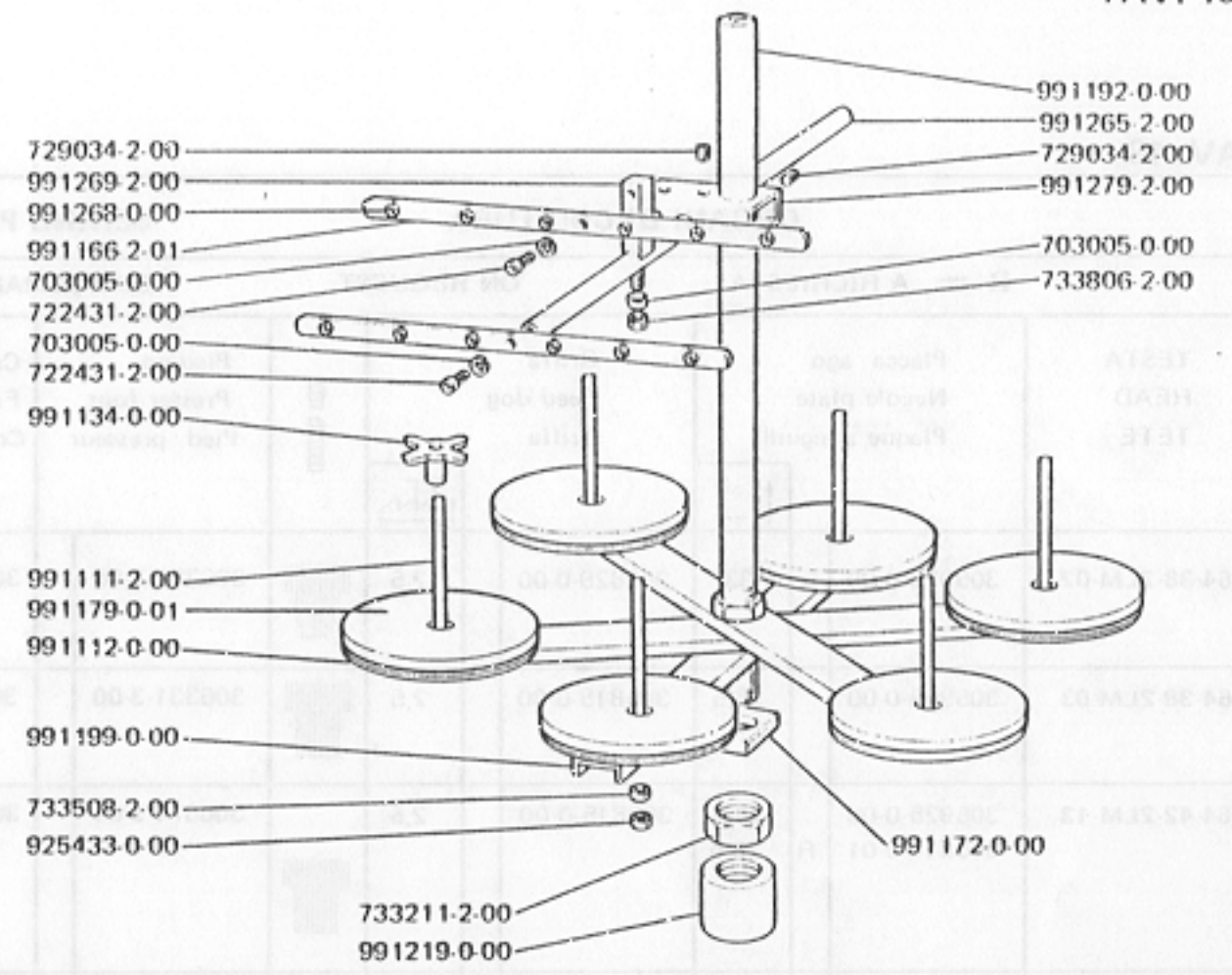


34-42-4LM-16
 64-42-4LM-17
 34-42-4LM-18
 34-42-4LM-24

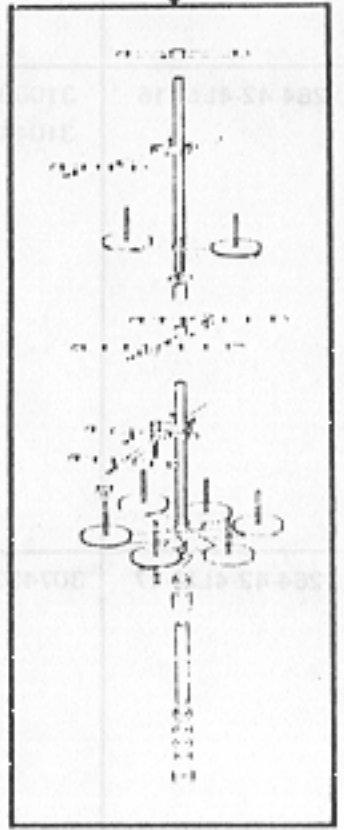
991197-4-00



991193-4-00

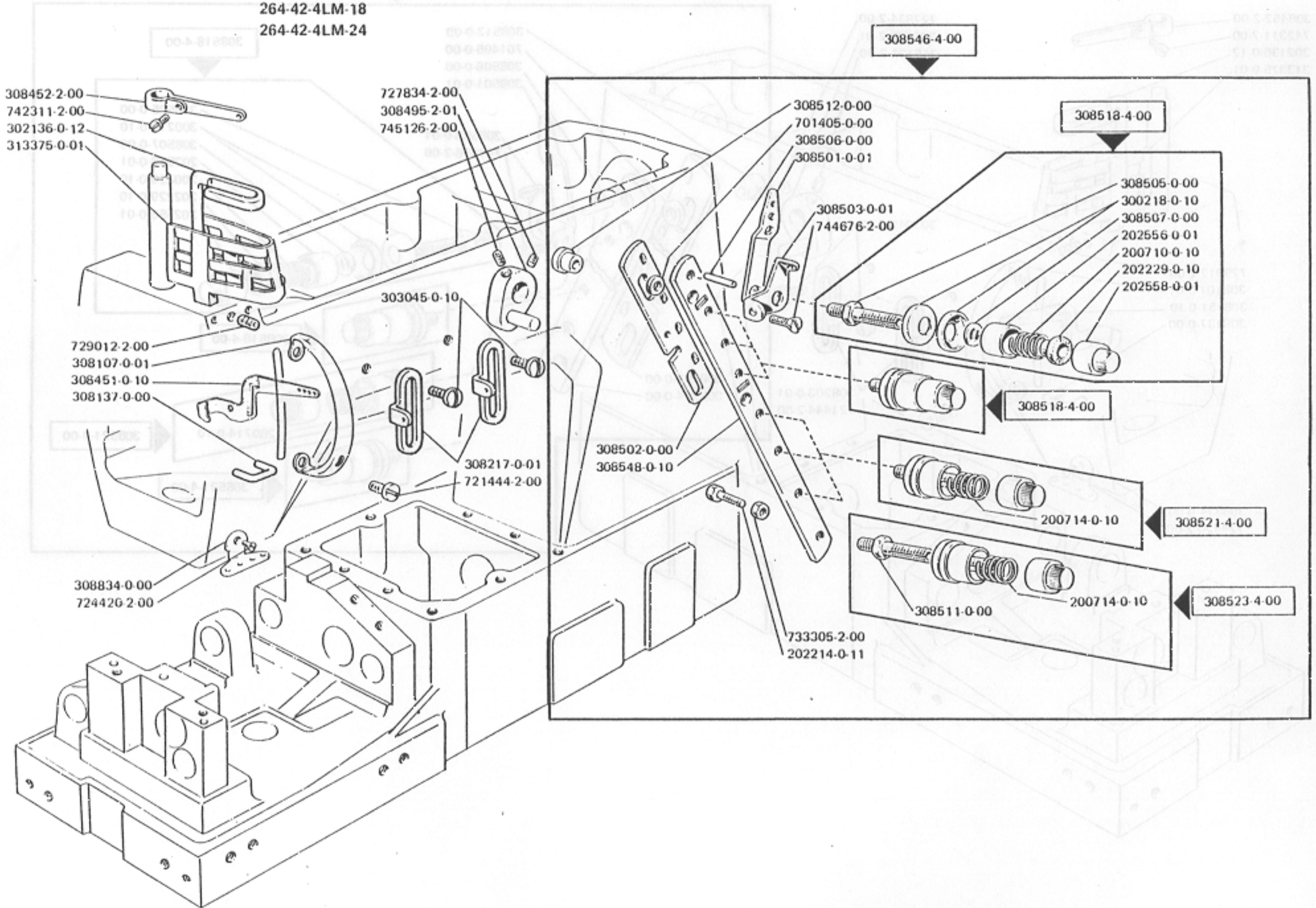


991160-5-02



TAV. 1 B

- 264-42-4LM-16
- 264-42-4LM-17
- 264-42-4LM-18
- 264-42-4LM-24

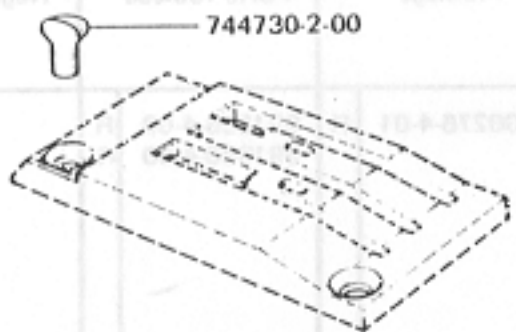
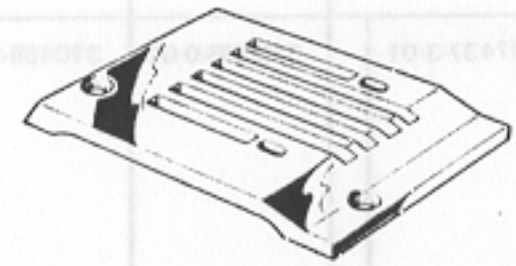
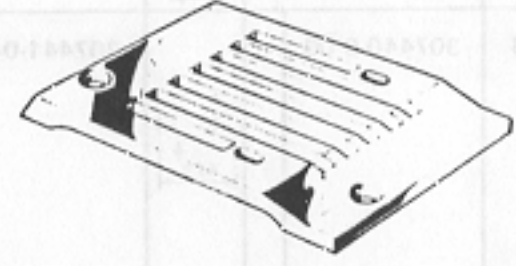
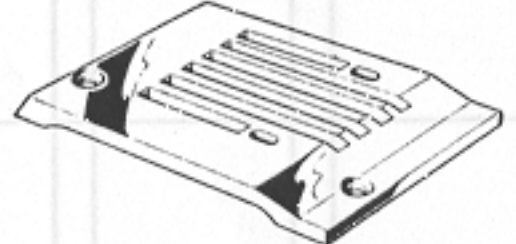
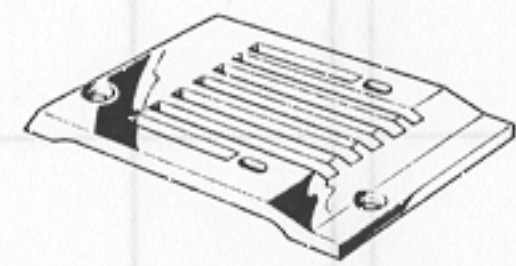
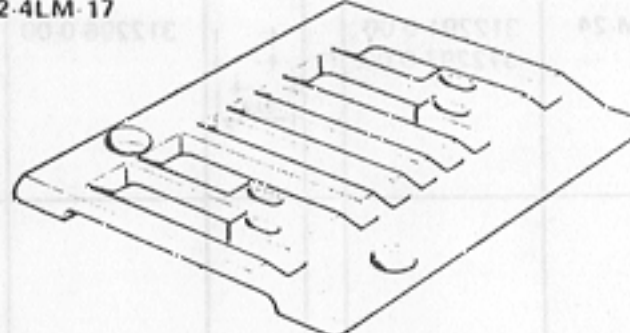
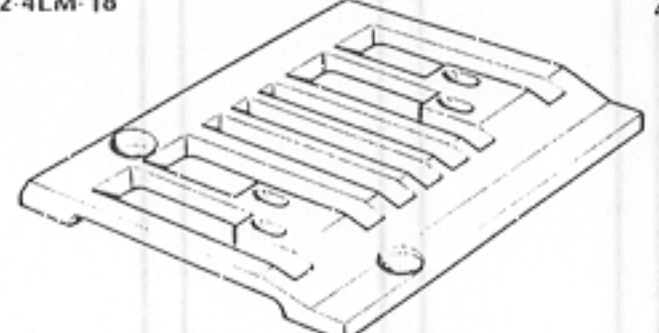
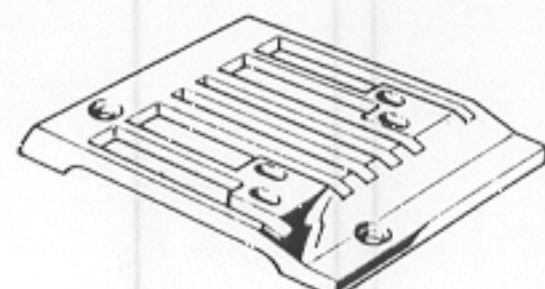
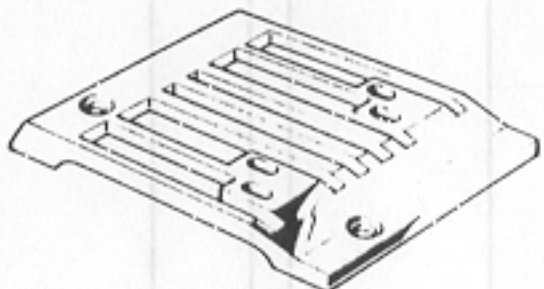
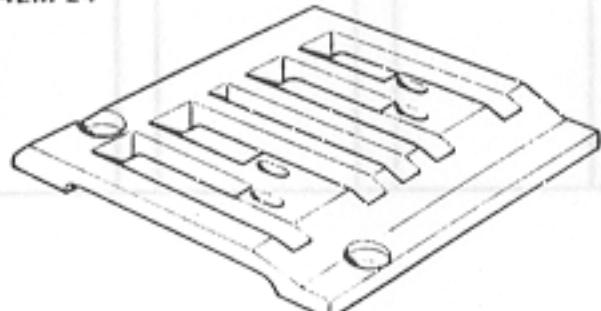
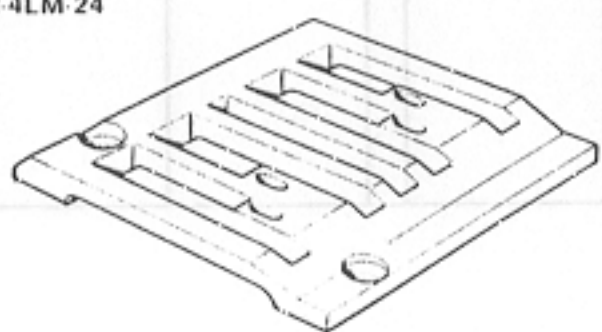


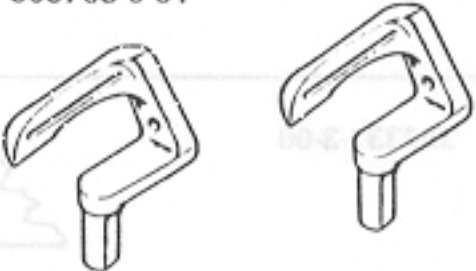


TAV. 19

ORGANI DI CUCITURA			SEWING PARTS			ORGANES DE COUTURE					
R = A RICHIESTA			ON REQUEST			SUR DEMANDE					
TESTA HEAD TETE	Placca ago Needle plate Plaque a aiguille	Griffa Feed dog Griffe	Piedino Presser foot Pied presseur	Crochet ant. Front looper Crochet avant.	Crochet post. Rear looper Crochet arriere	Guida e supp. Guide and supp. Guide et supp.	Frenaggio Brake Freinage	Porta rotolo Roll. carrier Porte rouleau	Misuratore Measurer Regle		
264-38-2LM-02	305928-0-00	33	305829-0-00	2,5	306382-3-00	305763-0-01	305763-0-01	305705-2-00 306299-3-00 930431-4-10	930440-4-00	991316-4-00	930820-4-00
264-38-2LM-03	305925-0-00	28,5	305815-0-00	2,5	306331-3-00	305763-0-01	305763-0-01	305705-2-00 306389-3-00 930431-4-10	930440-4-00	991316-4-00	930820-4-00
264-42-2LM-13	305925-0-00 305814-0-01	R 28,5 28,5	305815-0-00	2,5	306674-3-01	305763-0-01	305763-0-01	309906-5-01 309913-5-01 309920-5-00 310311-5-00 310321-5-00	R 930276-4-01 R	R 991236-4-00 991580-4-00 R	R
264-42-2LM-15	305928-0-00 305828-0-01	R 33 33	305829-0-00	2,5	306088-3-11	305763-0-01	305763-0-01	309908-5-01 309915-5-01 309922-5-00 310313-5-00 310323-5-00	R 930276-4-01 R	R 991236-4-00 991580-4-00 R	R
264-42-4LM-16	310600-0-00 310445-0-01	R 38,2	310467-0-00	2,5	310444-3-01	310466-0-02	310465-0-02	309905-5-01 309907-5-01 309909-5-01 309912-5-01 309914-5-01 309916-5-01 309919-5-00 309921-5-00 309923-5-00 310310-5-00 310312-5-00 310314-5-00 310320-5-00 310322-5-00 310324-5-00	R 930276-4-01 R	R 991236-4-00 991580-4-00 R	R
264-42-4LM-17	307433-0-00	44,5	307434-0-00	2,5	307430-3-01	310466-0-02	310465-0-02	309907-5-01 309909-5-01 309919-5-00 309923-5-00 310312-5-00 310314-5-00 310317-5-00 310319-5-00 310326-5-00 311762-5-00 311764-5-00 311766-5-00	R 930276-4-01 R	R 991236-4-00 991580-4-00 R	R

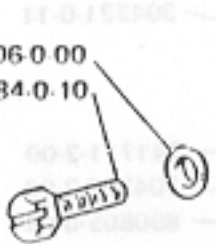
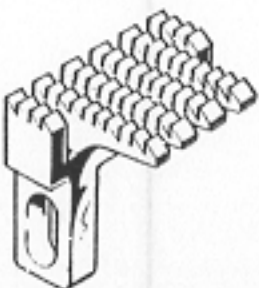
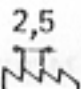
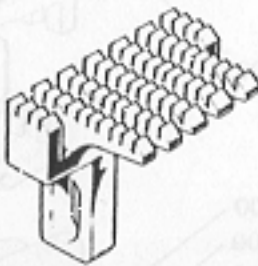
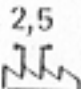
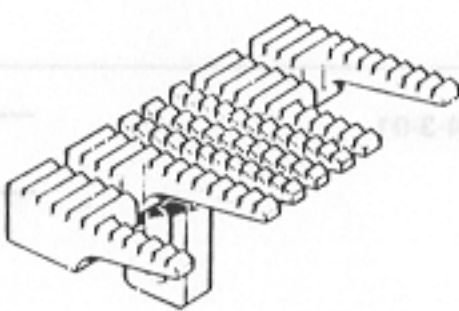
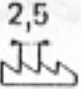
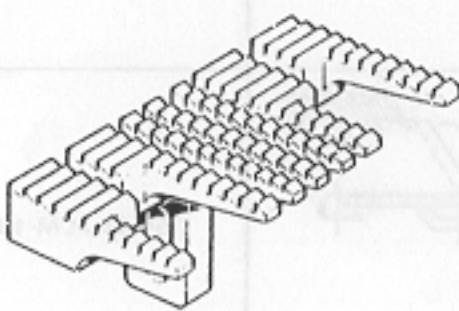
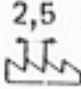
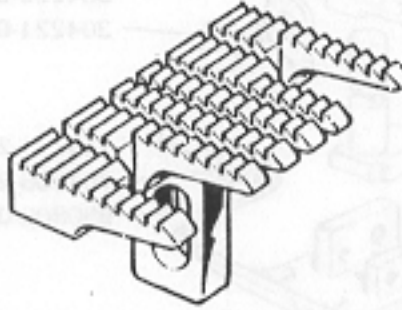
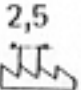
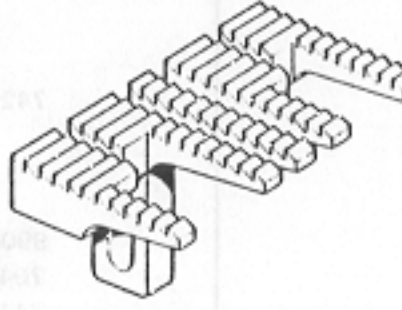
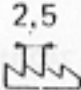
TAV. 21

PLACCA AGO - NEEDLE PLATE - PLAQUE A AIGUILLE

 <p>744730-2-00</p>	<p>305814-0-01</p> <p>264-42-2LM-13</p>  <p>28,5</p>	<p>305828-0-01</p> <p>264-42-2LM-15</p>  <p>33</p>
<p>305925-0-00</p> <p>264-38-2LM-03 264-42-2LM-13</p>  <p>28,5</p>	<p>305928-0-00</p> <p>264-38-2LM-02 264-42-2LM-15</p>  <p>33</p>	<p>307433-0-00</p> <p>264-42-4LM-17</p>  <p>44,5</p>
<p>307440-0-00</p> <p>264-42-4LM-18</p>  <p>47,6</p>	<p>310445-0-01</p> <p>264-42-4LM-16</p>  <p>38,2</p>	<p>310600-0-00</p> <p>264-42-4LM-16</p>  <p>38,2</p>
<p>312291-0-00</p> <p>264-42-4LM-24</p>  <p>31,8</p>	<p>312297-0-00</p> <p>264-42-4LM-24</p>  <p>31,8</p>	

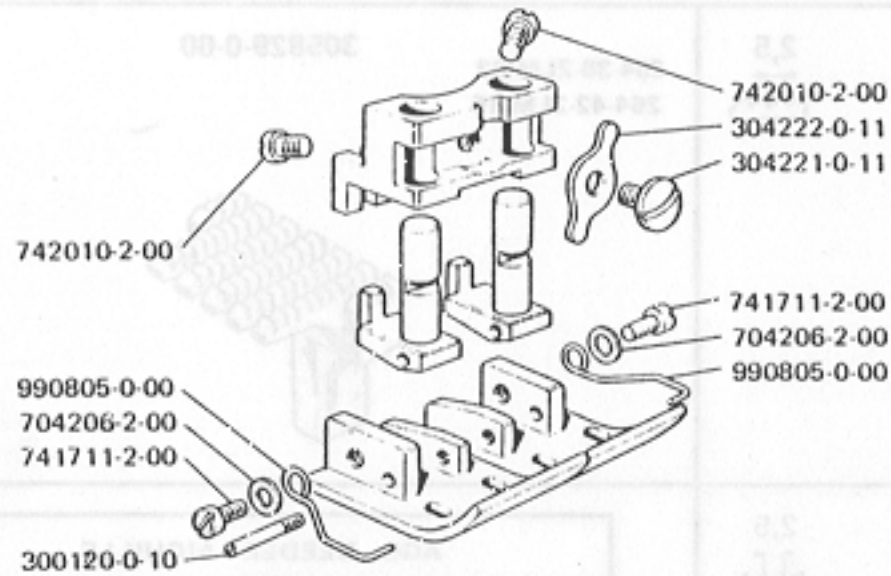
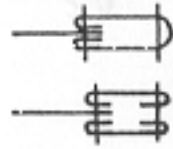
<p>264-38-2LM-02 264-38-2LM-03 264-42-2LM-13 264-42-2LM-15</p> <p>305763-0-01</p> 	<p>264-42-4LM-16 264-42-4LM-17 264-42-4LM-18</p> <p>310465-0-02</p> <p>310466-0-00</p> 	<p>264-42-4LM-24</p> <p>310465-0-02</p> <p>310464-0-02</p> 
--	--	--

GRIFFA · FEED DOG · GRIFFE

<p>704406-0-00 304684-0-10</p> 	<p>264-38-2LM-03 264-42-2LM-13</p> <p>305815-0-00</p>  <p>2,5</p> 	<p>264-38-2LM-02 264-42-2LM-15</p> <p>305829-0-00</p>  <p>2,5</p> 																
<p>264-42-4LM-17</p> <p>307434-0-00</p>  <p>2,5</p> 	<p>264-42-4LM-18</p> <p>307441-0-00</p>  <p>2,5</p> 	<table border="1"> <thead> <tr> <th colspan="4">AGO · NEEDLE · AIGUILLE</th> </tr> <tr> <th>SIMBOLO SYMBOL SYMBOLE</th> <th>UY GAS</th> <th>FIN. SIZE GAUGE</th> <th>TESTA HEAD TETE</th> </tr> </thead> <tbody> <tr> <td>960460-1-80</td> <td>128</td> <td>80</td> <td>264-38-2LM-02 264-38-2LM-03</td> </tr> <tr> <td>960460-1-12</td> <td>128</td> <td>120</td> <td>264-42-2LM-13 264-42-2LM-15 264-42-4LM-16 264-42-4LM-17 264-42-4LM-18 264-42-4LM-24</td> </tr> </tbody> </table>	AGO · NEEDLE · AIGUILLE				SIMBOLO SYMBOL SYMBOLE	UY GAS	FIN. SIZE GAUGE	TESTA HEAD TETE	960460-1-80	128	80	264-38-2LM-02 264-38-2LM-03	960460-1-12	128	120	264-42-2LM-13 264-42-2LM-15 264-42-4LM-16 264-42-4LM-17 264-42-4LM-18 264-42-4LM-24
AGO · NEEDLE · AIGUILLE																		
SIMBOLO SYMBOL SYMBOLE	UY GAS		FIN. SIZE GAUGE	TESTA HEAD TETE														
960460-1-80	128	80	264-38-2LM-02 264-38-2LM-03															
960460-1-12	128	120	264-42-2LM-13 264-42-2LM-15 264-42-4LM-16 264-42-4LM-17 264-42-4LM-18 264-42-4LM-24															
<p>264-42-4LM-16</p> <p>310467-0-00</p>  <p>2,5</p> 	<p>264-42-4LM-24</p> <p>312296-0-00</p>  <p>2,5</p> 																	

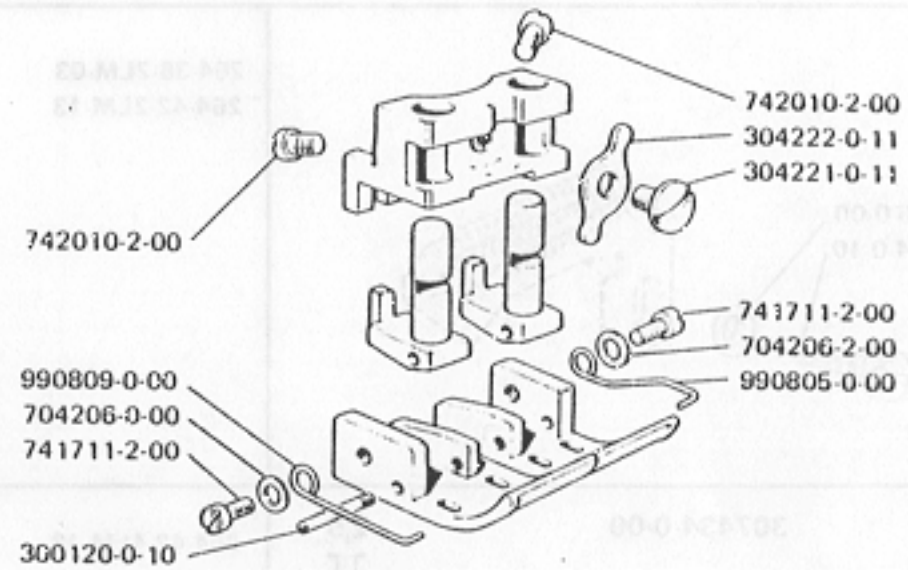
264-42-2LM-15

306088-3-11



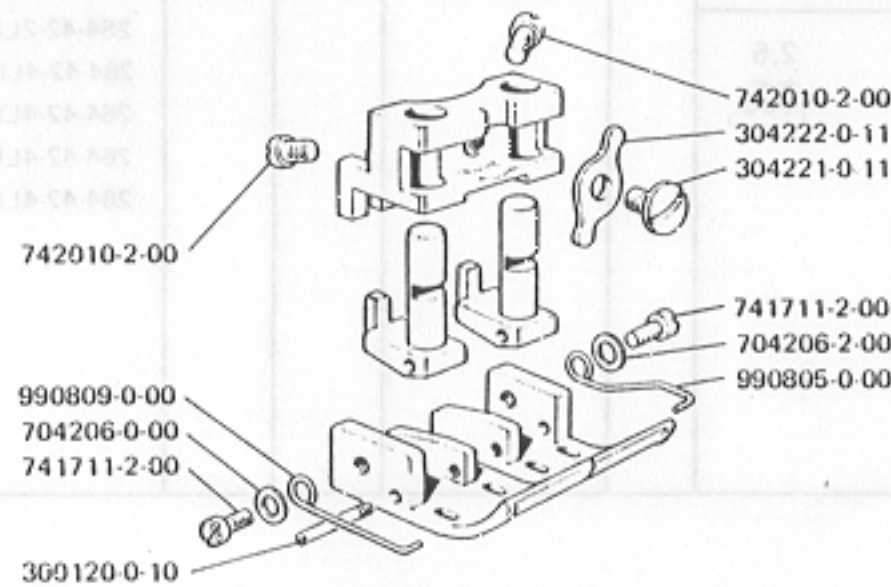
264-38-2LM-03

306331-3-00



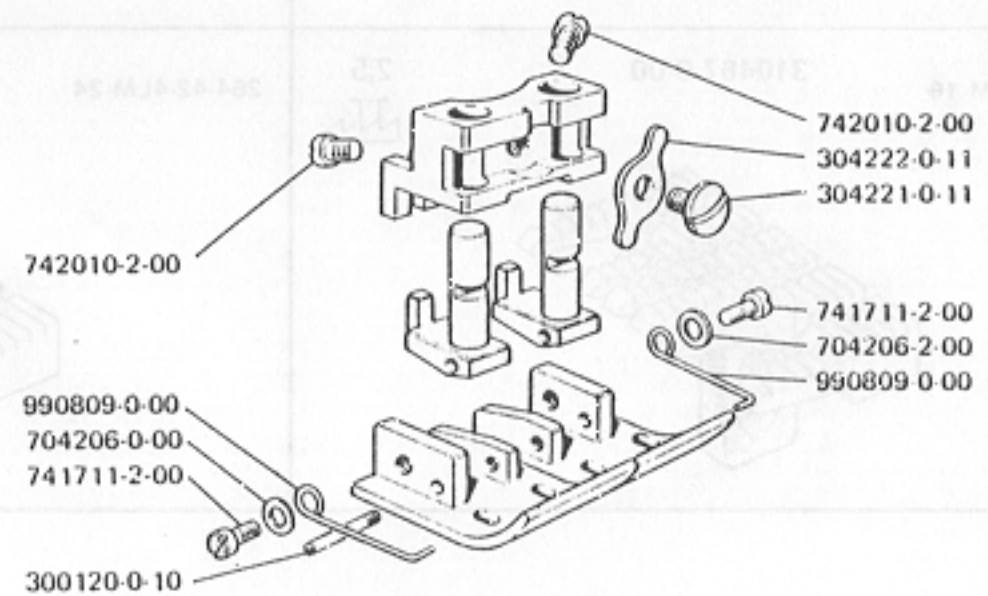
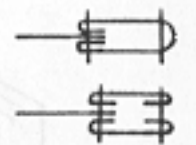
264-38-2LM-02

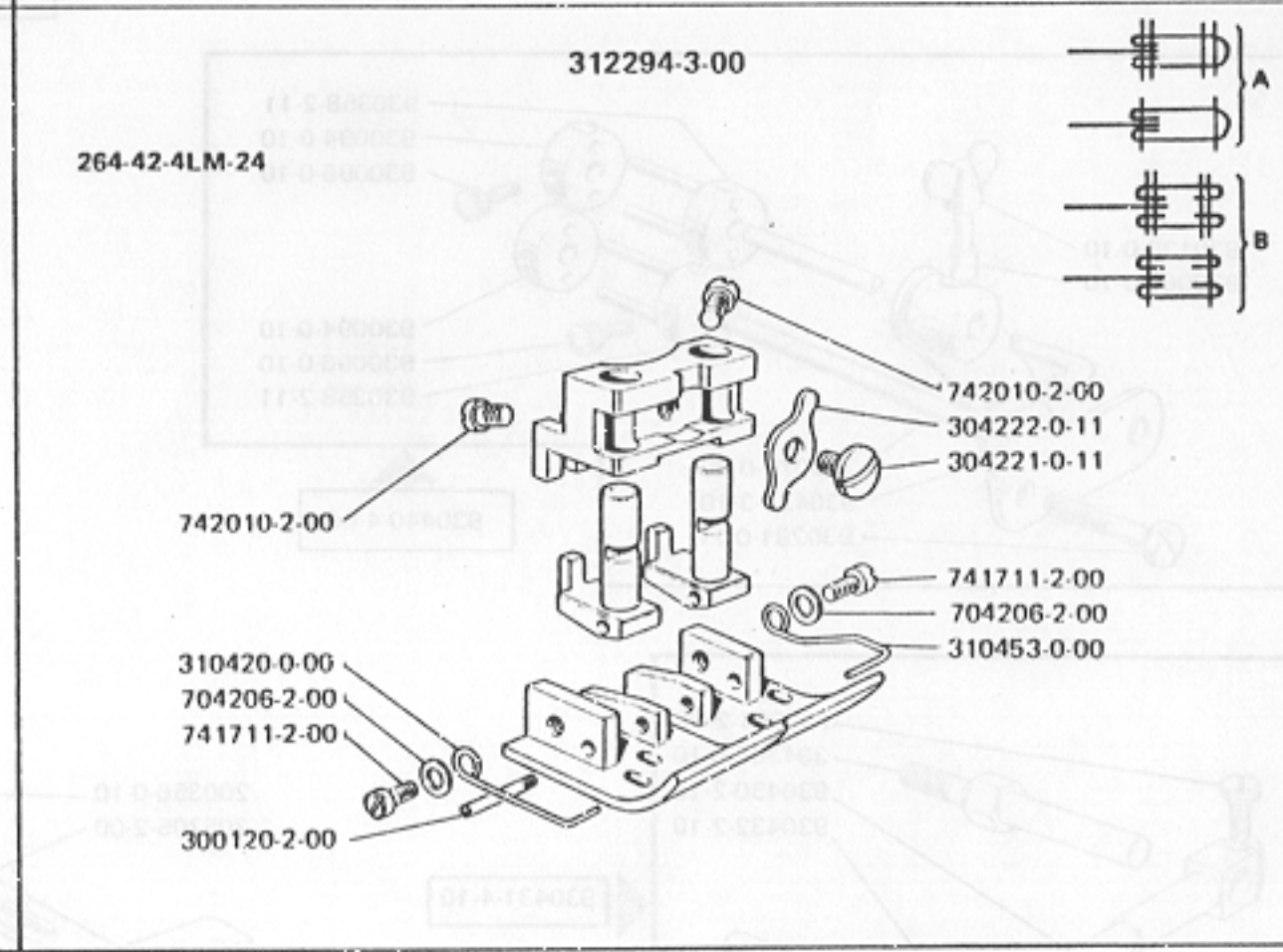
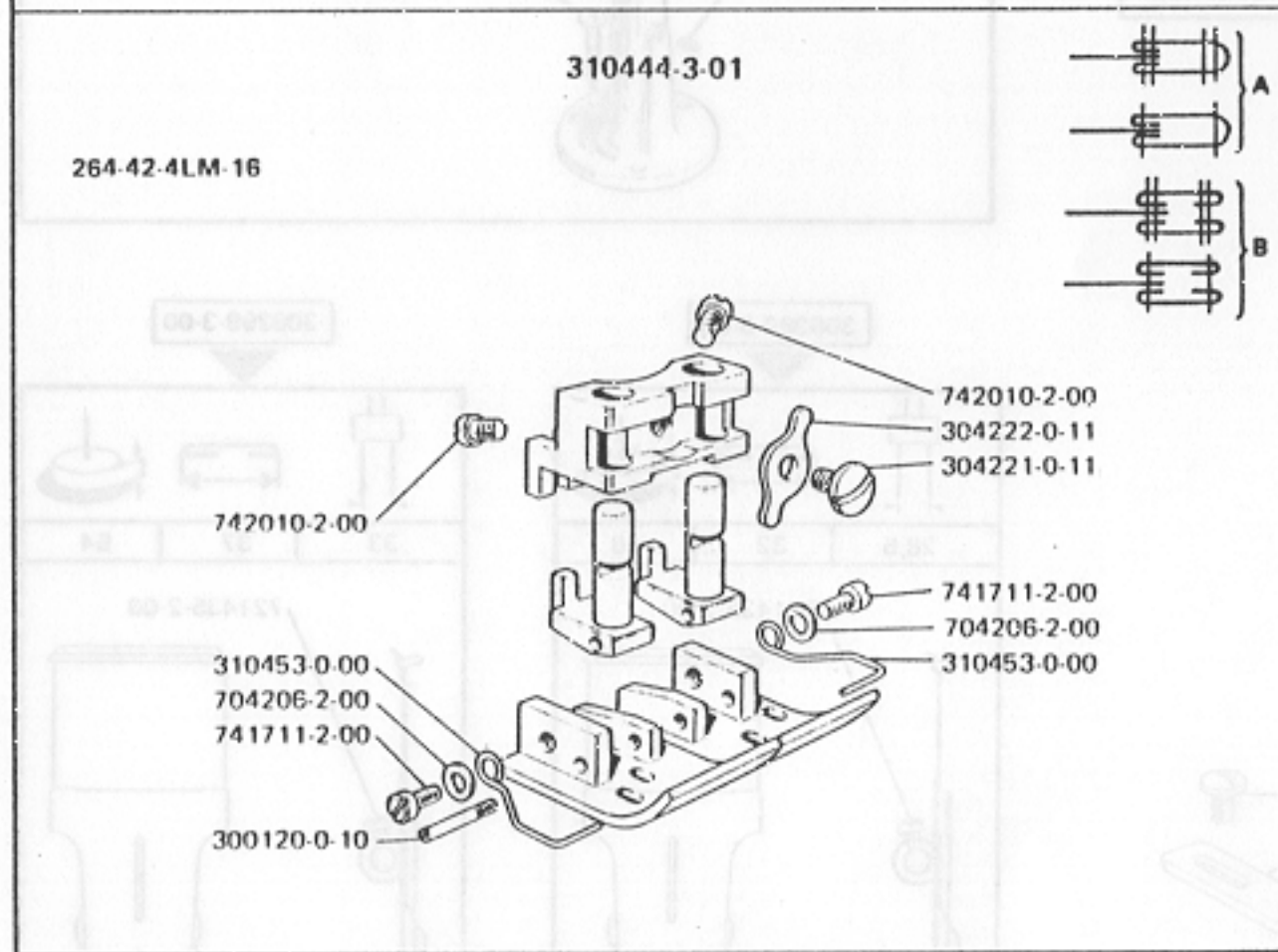
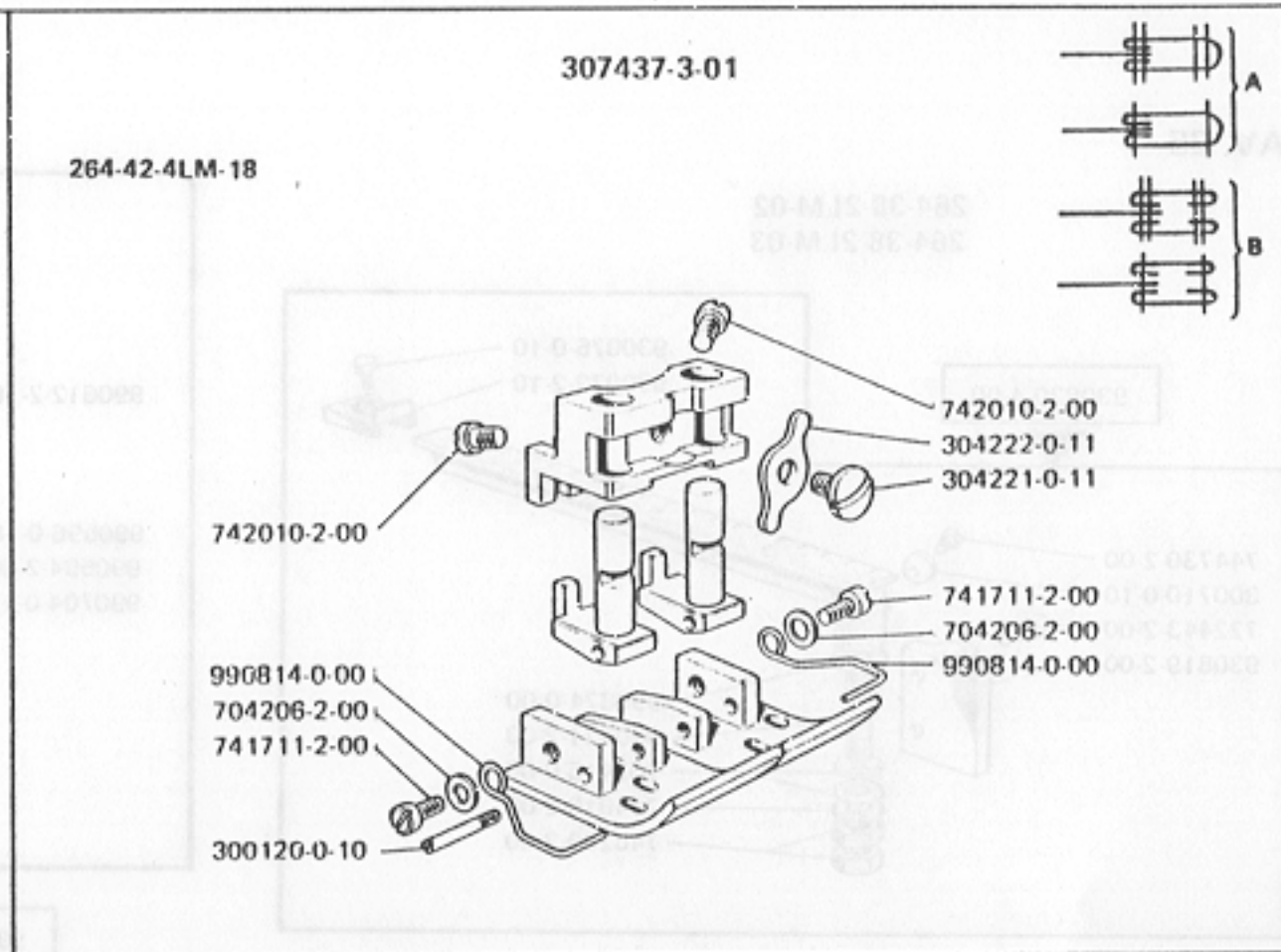
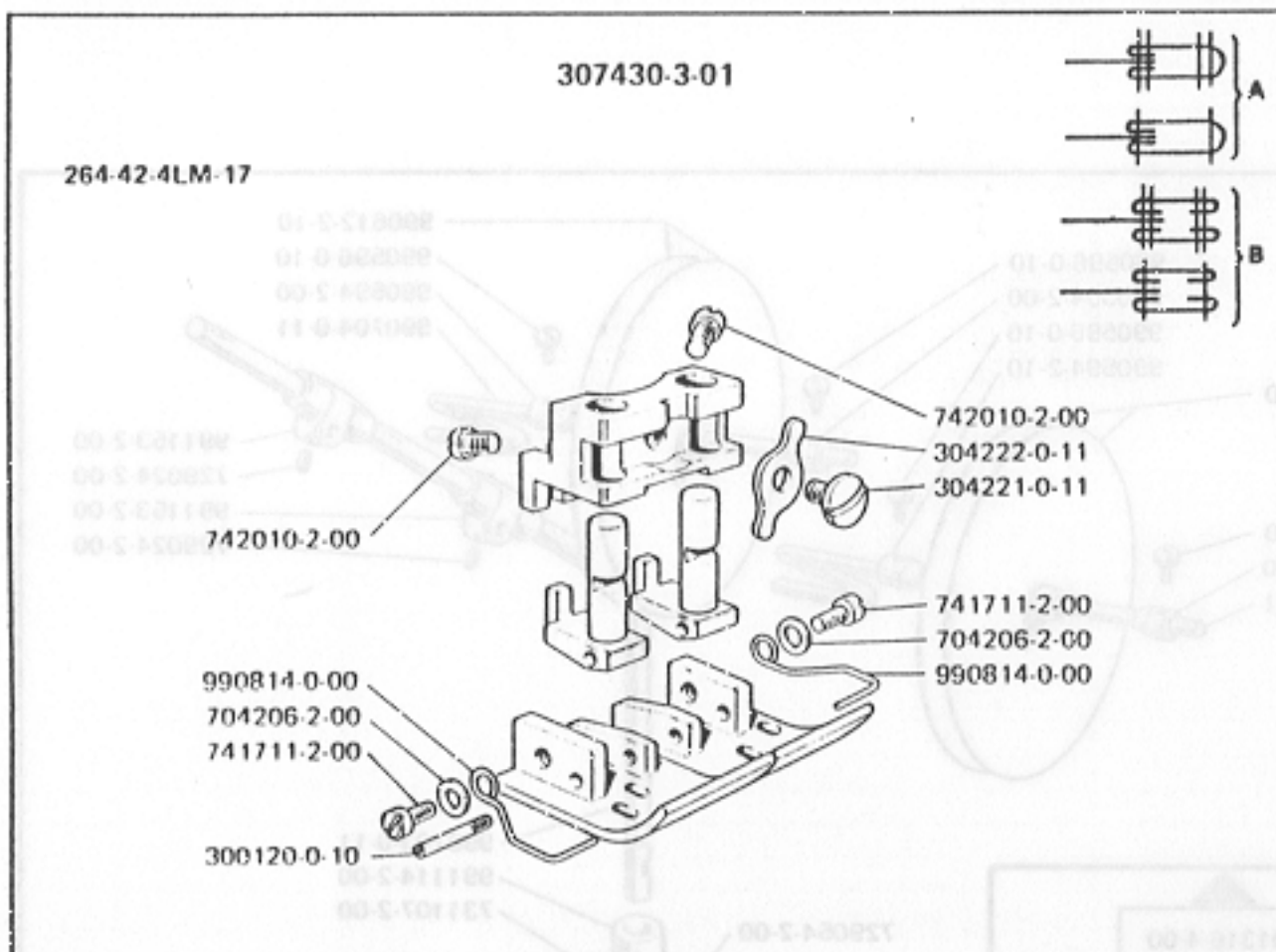
306382-3-00



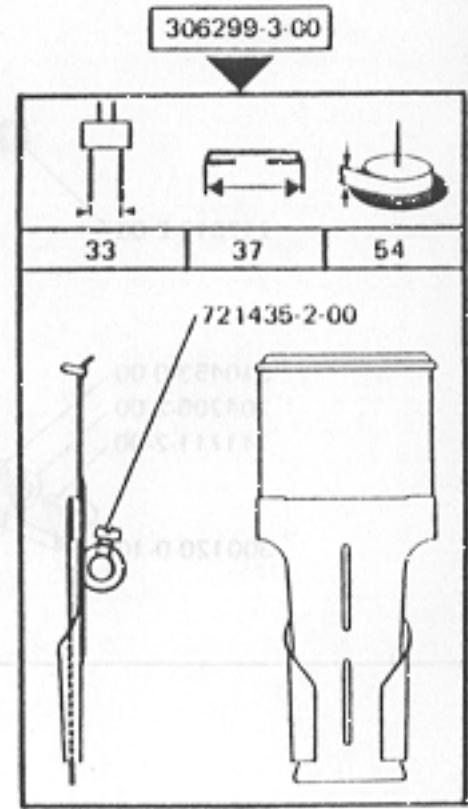
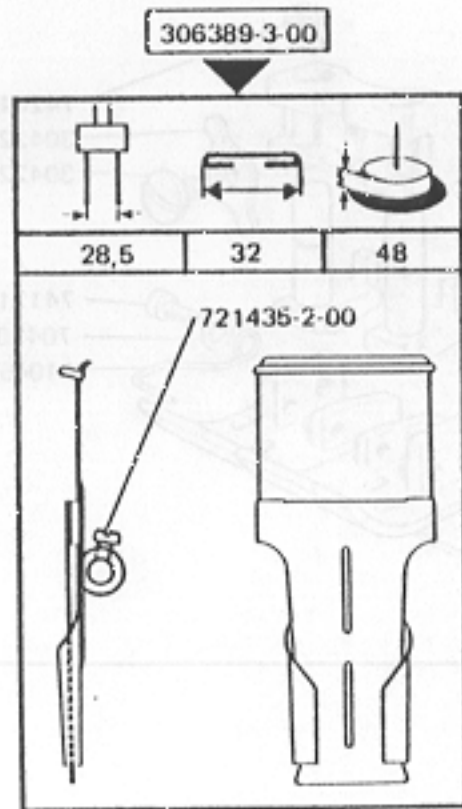
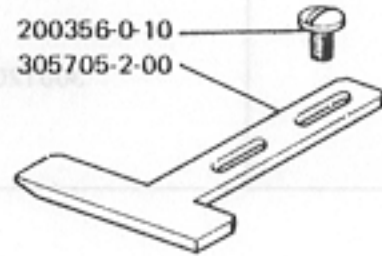
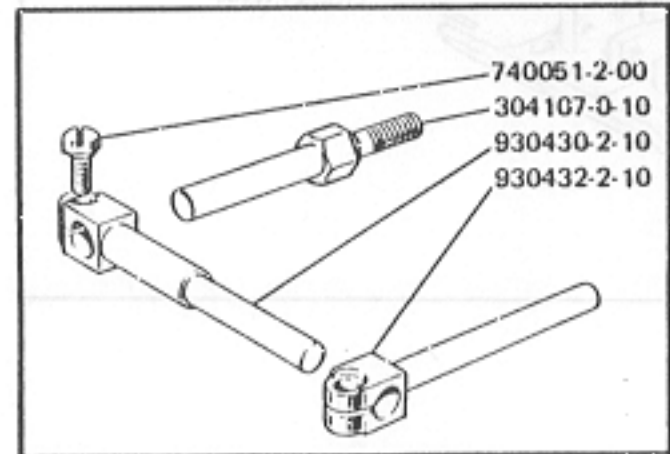
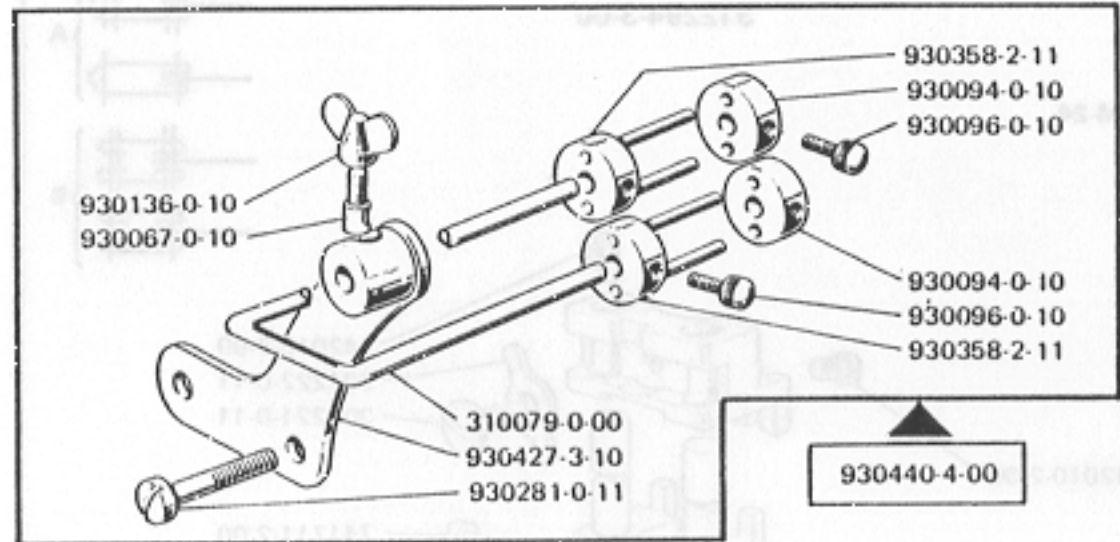
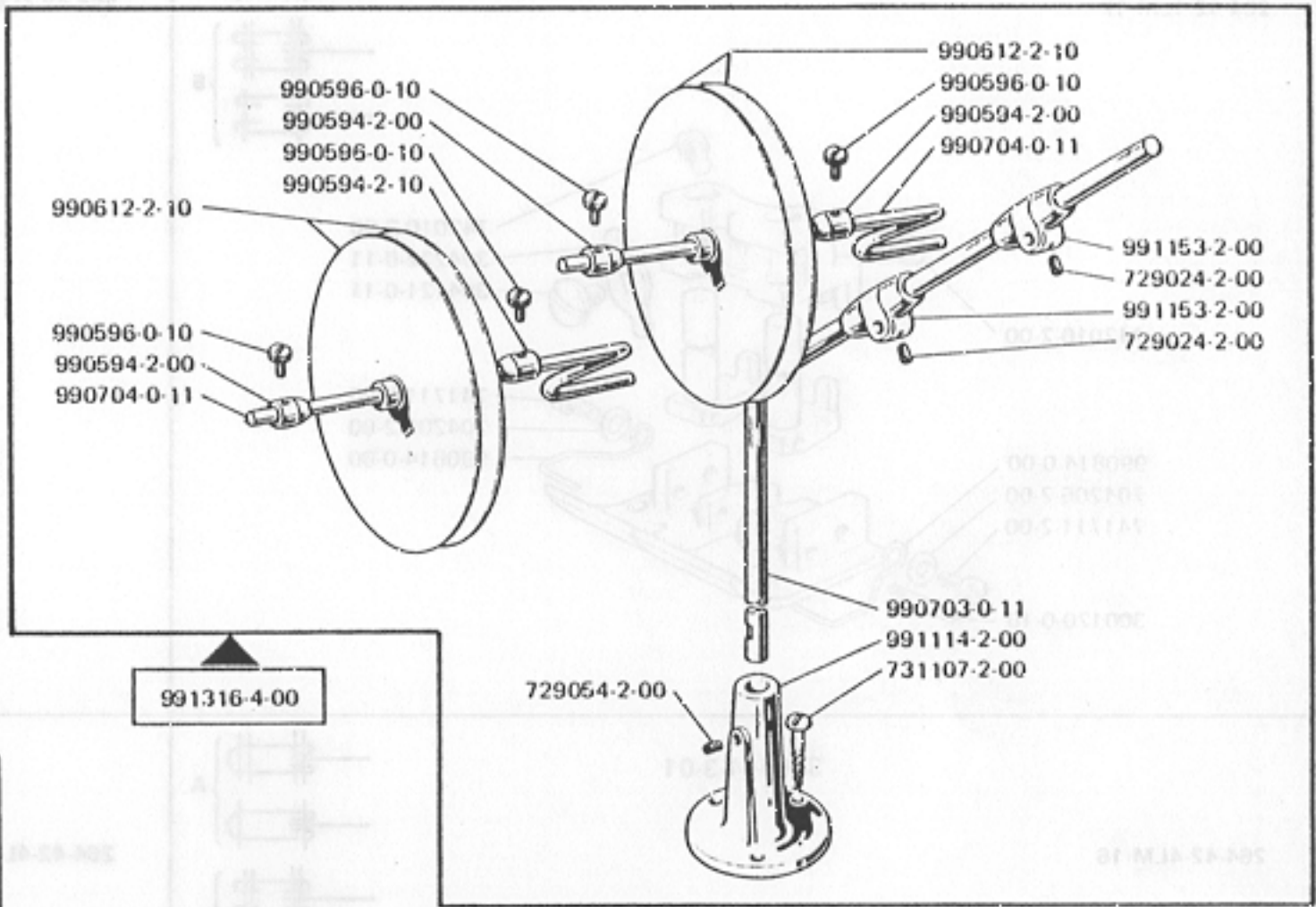
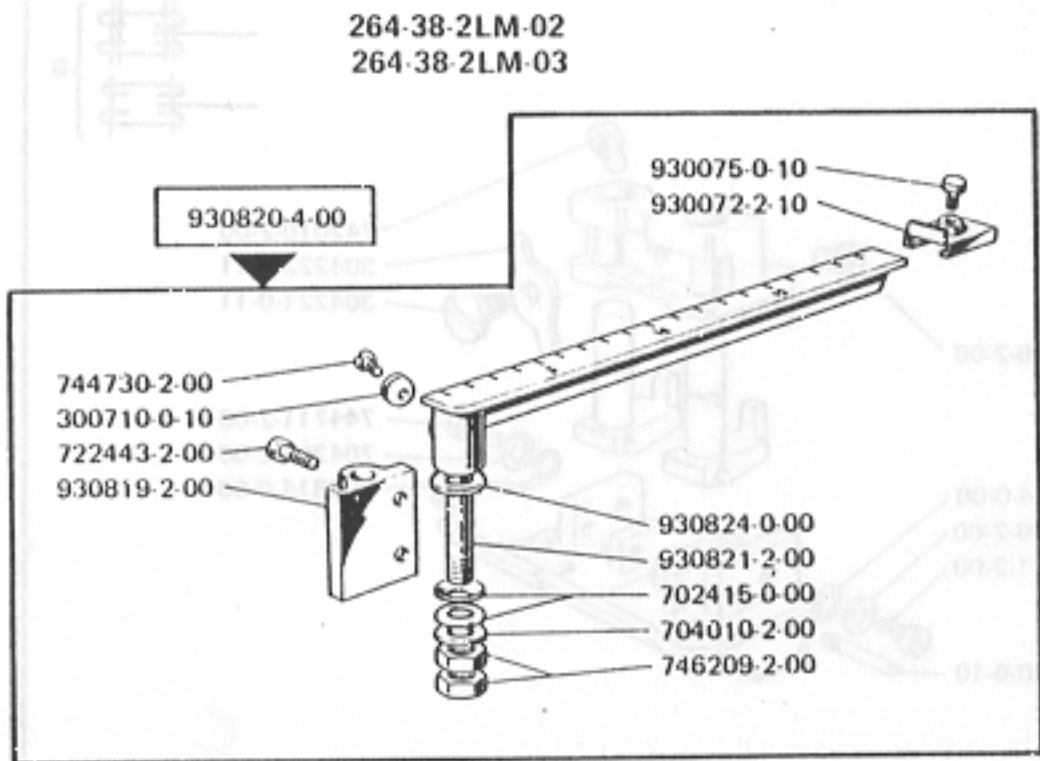
264-42-2LM-13

306674-3-01





TAV. 25

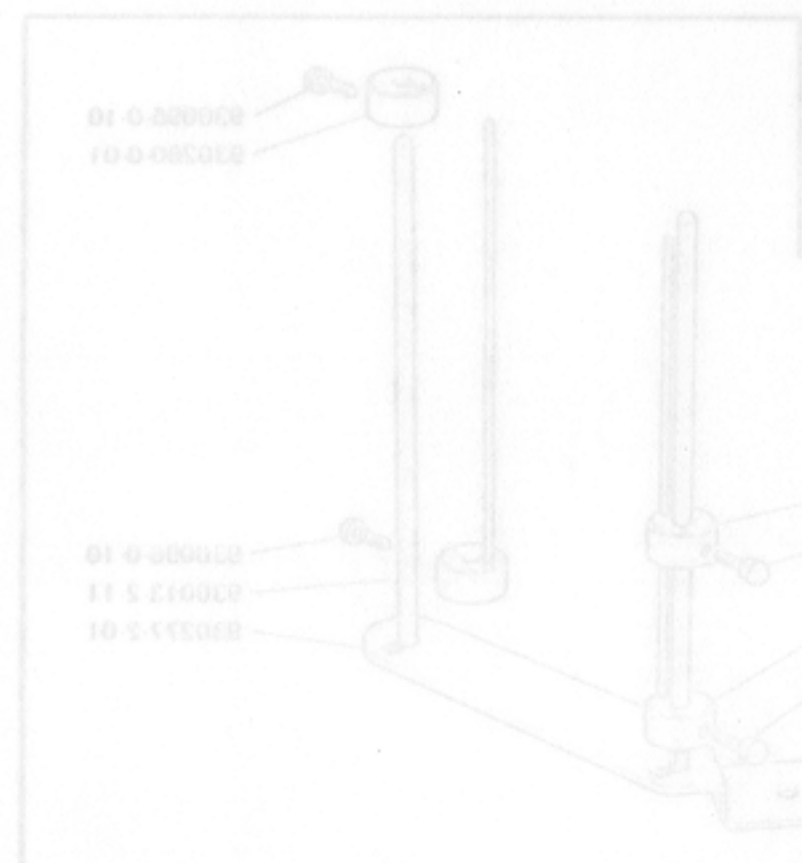
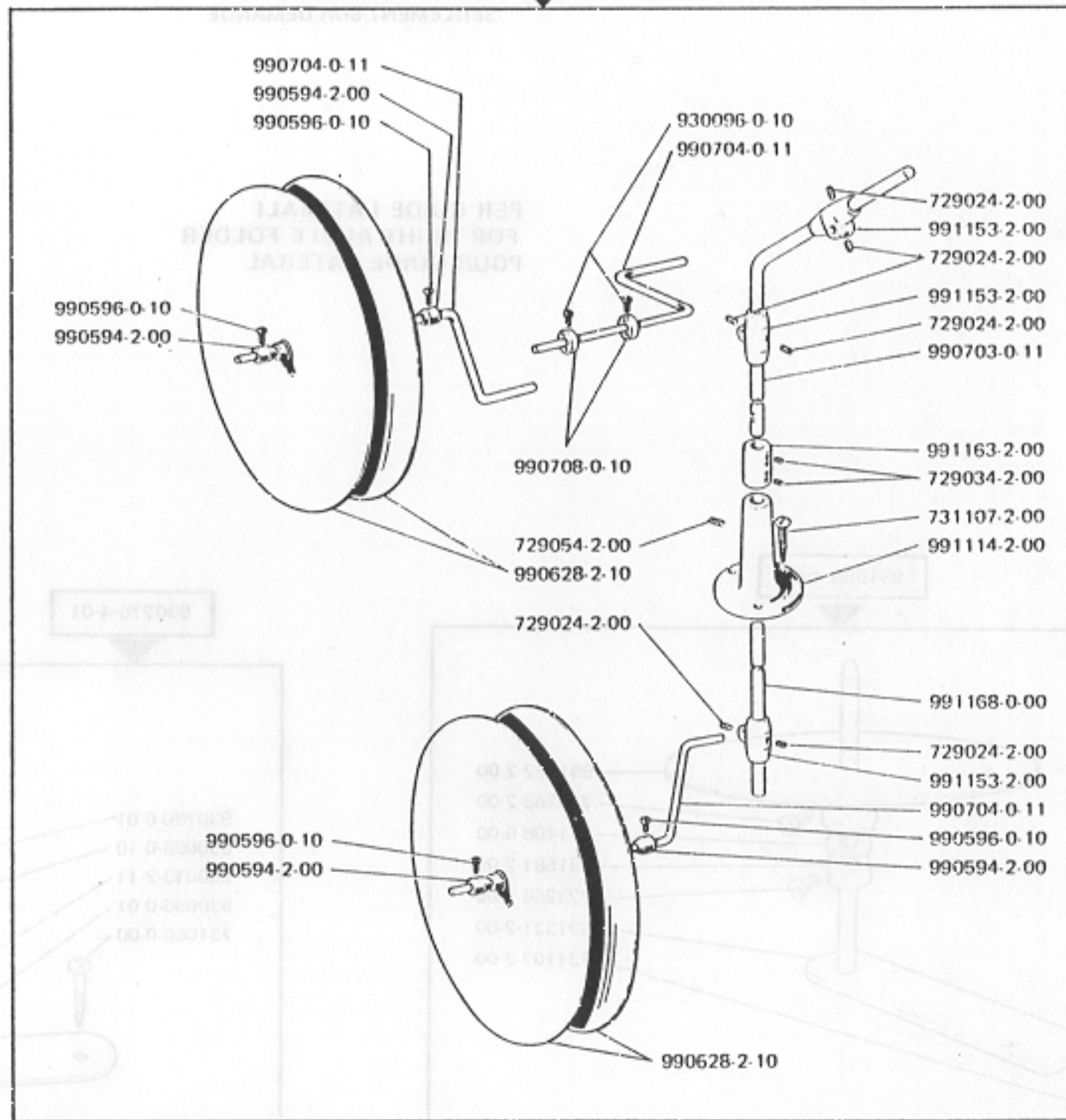


PER GUIDE FRONTALI
FOR FRONT FOLDER
POUR GUIDE FRONTAL

- 264-42-2LM-13
- 264-42-2LM-15
- 264-42-4LM-16
- 264-42-4LM-17
- 264-42-4LM-18
- 264-42-4LM-24

SOLO A RICHIESTA
ONLY ON REQUEST
SEULEMENT SUR DEMANDE

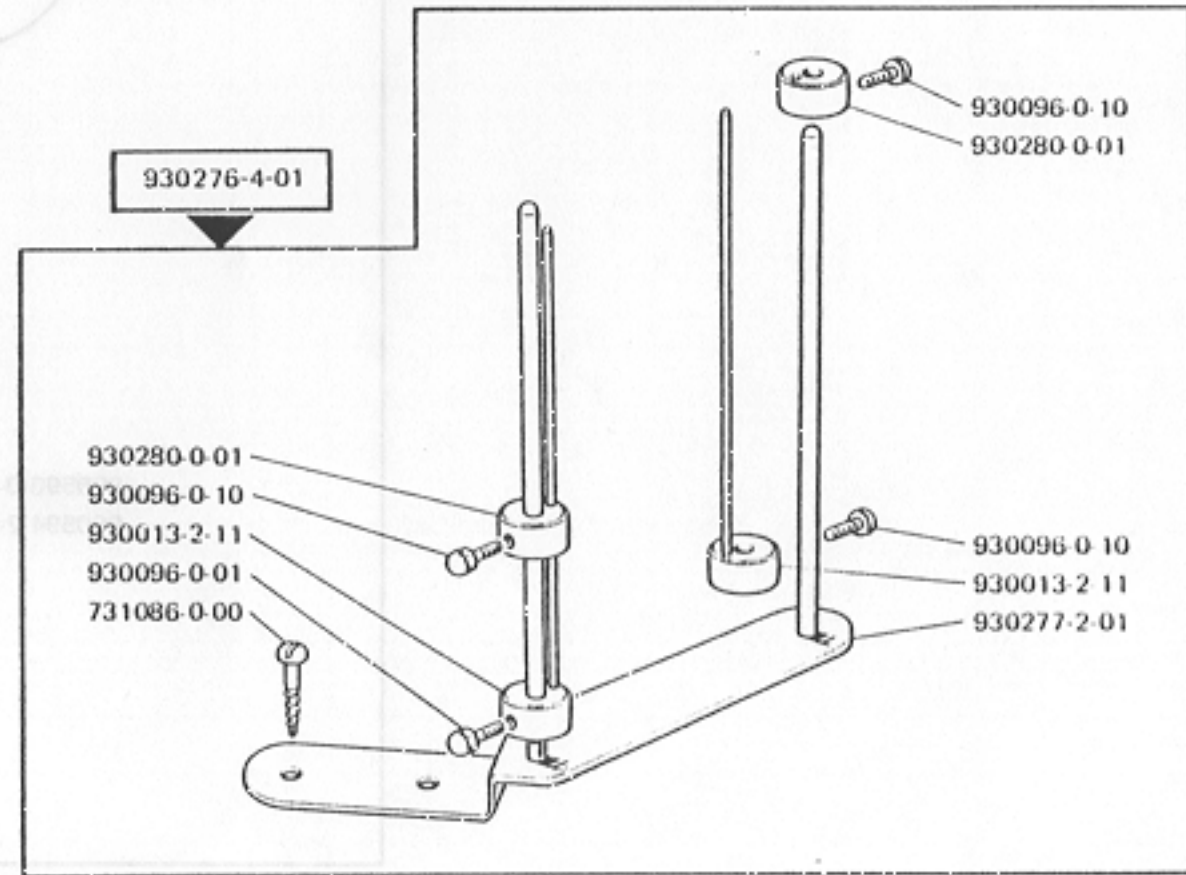
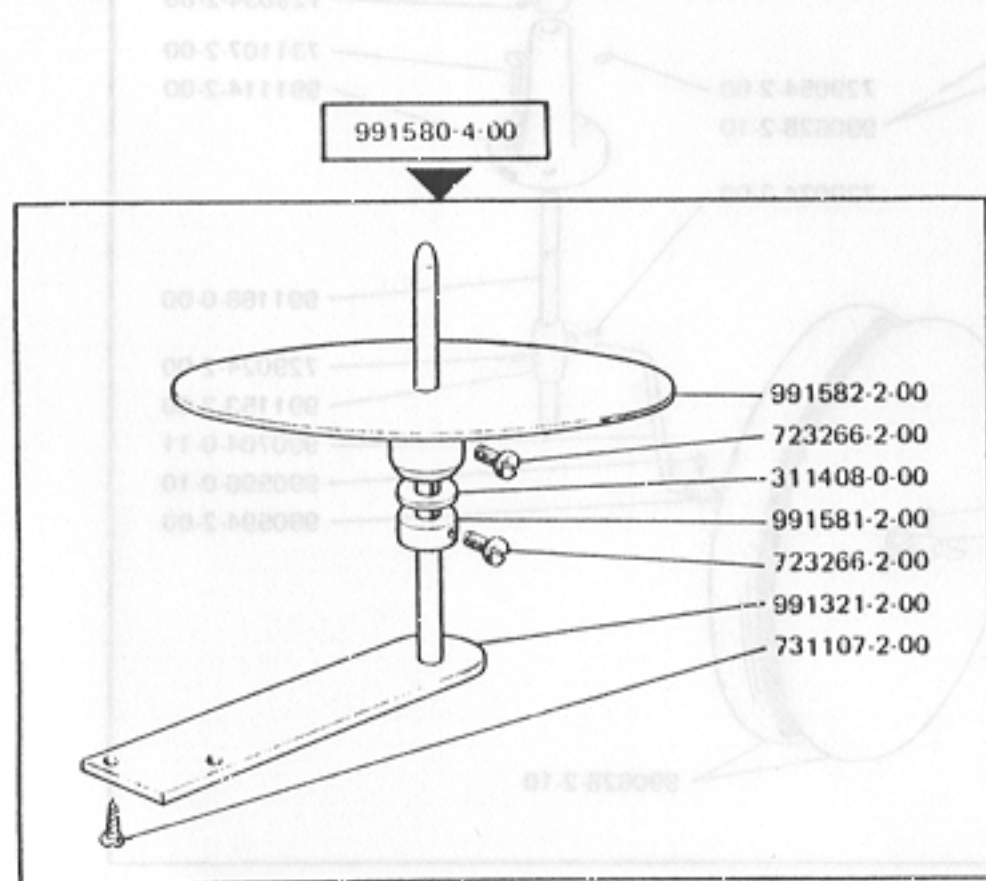
991236-4-00



- 264-42-2LM-13
- 264-42-2LM-15
- 264-42-4LM-16
- 264-42-4LM-17
- 264-42-4LM-18
- 264-42-4LM-24

SOLO A RICHIESTA
ONLY ON REQUEST
SEULEMENT SUR DEMANDE

PER GUIDE LATERALI
FOR RIGHT ANGLE FOLDER
POUR GUIDE LATERAL



SOLO A RICHIESTA
ONLY ON REQUEST
SEULEMENT SUR DEMANDE

SOLO A RICHIESTA
ONLY ON REQUEST
SEULEMENT SUR DEMANDE

SOLO A RICHIESTA
 ONLY ON REQUEST
 SEULEMENT SUR DEMANDE

1

2

3

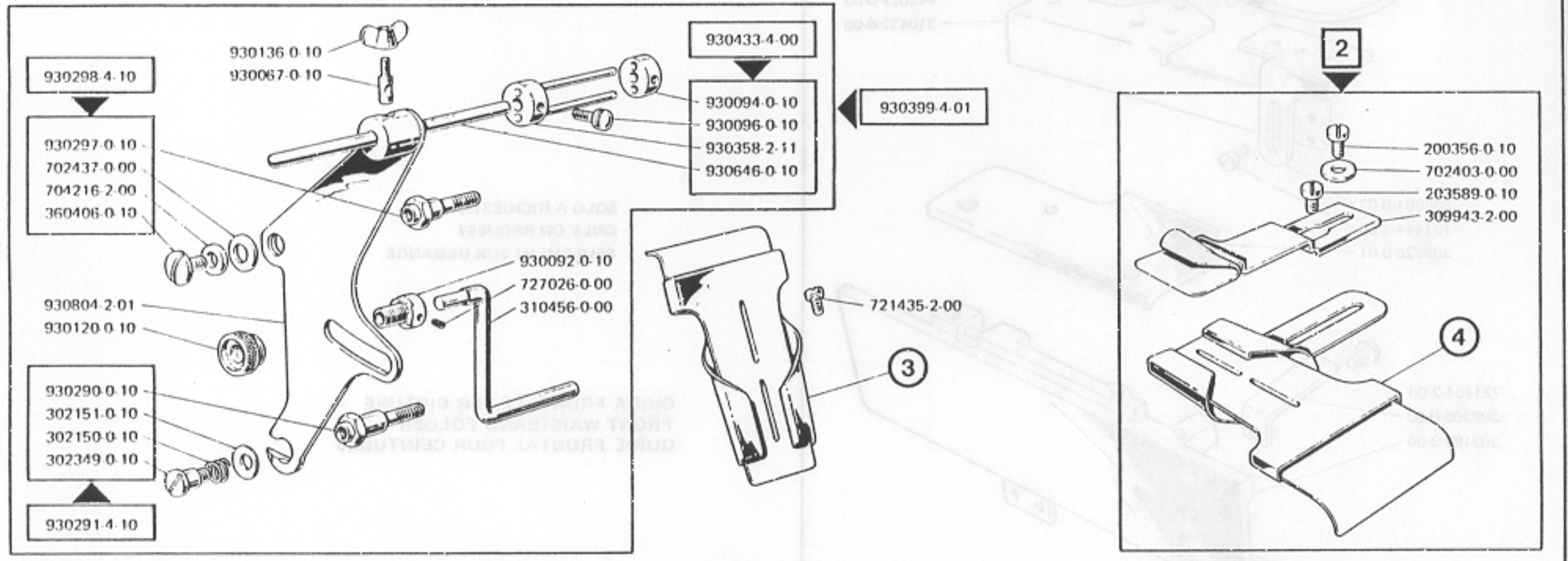
4



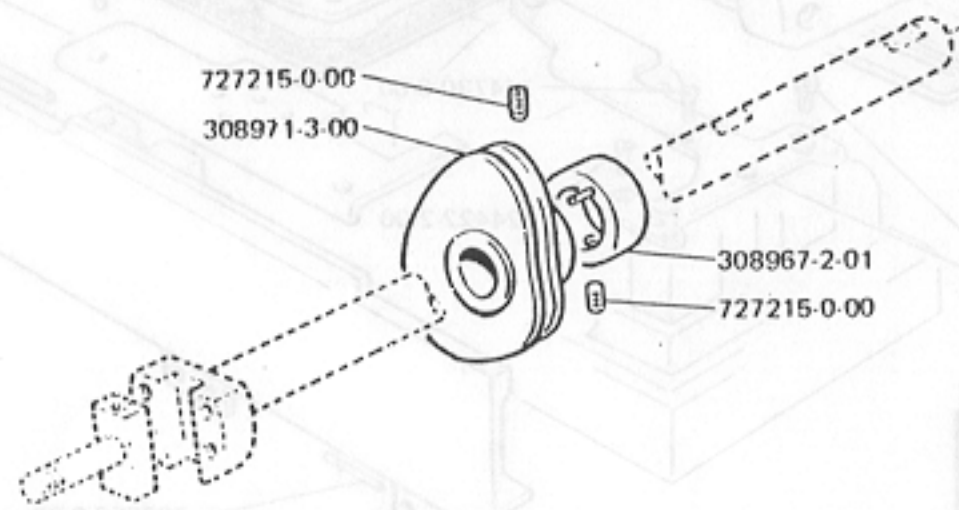
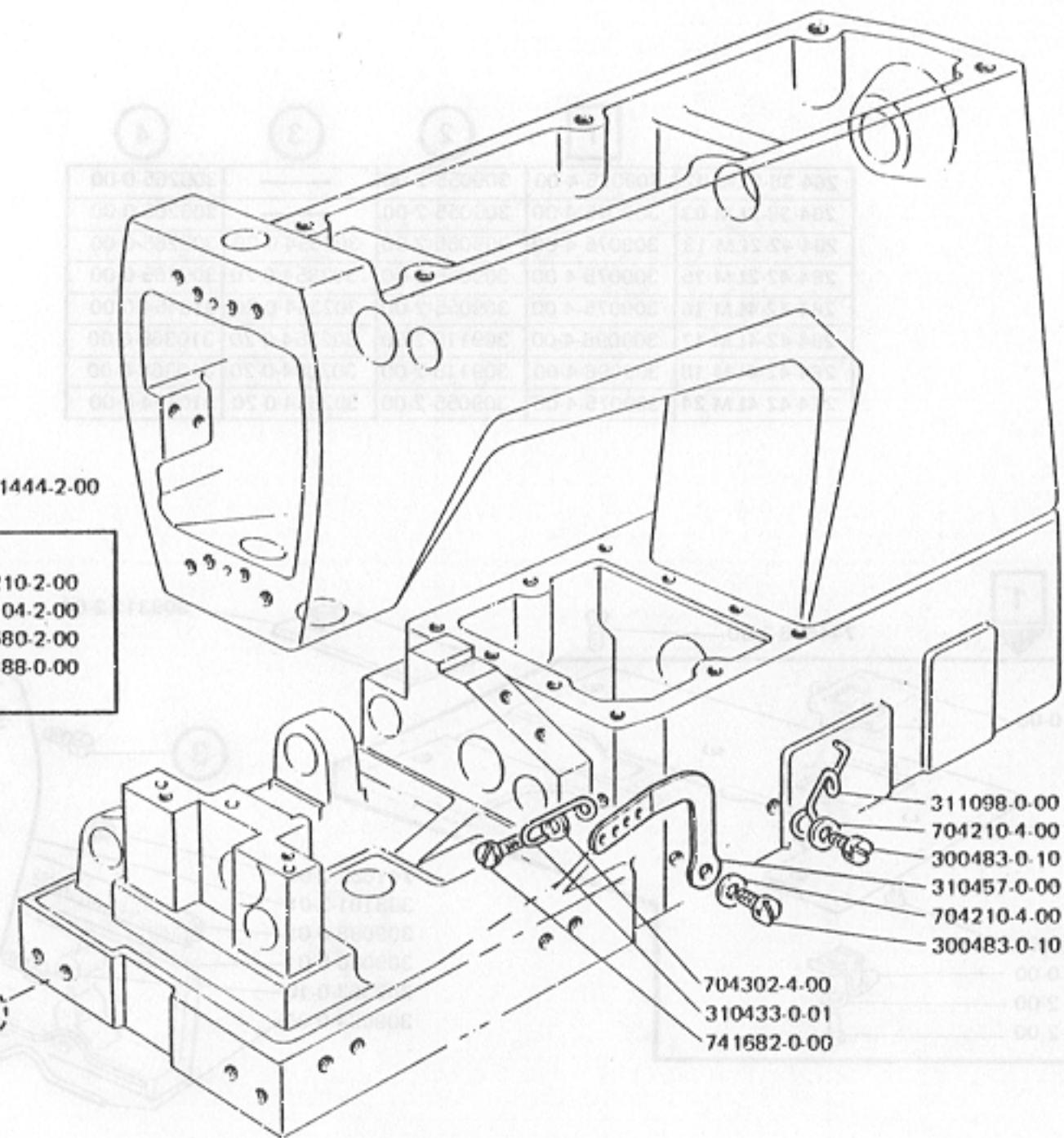
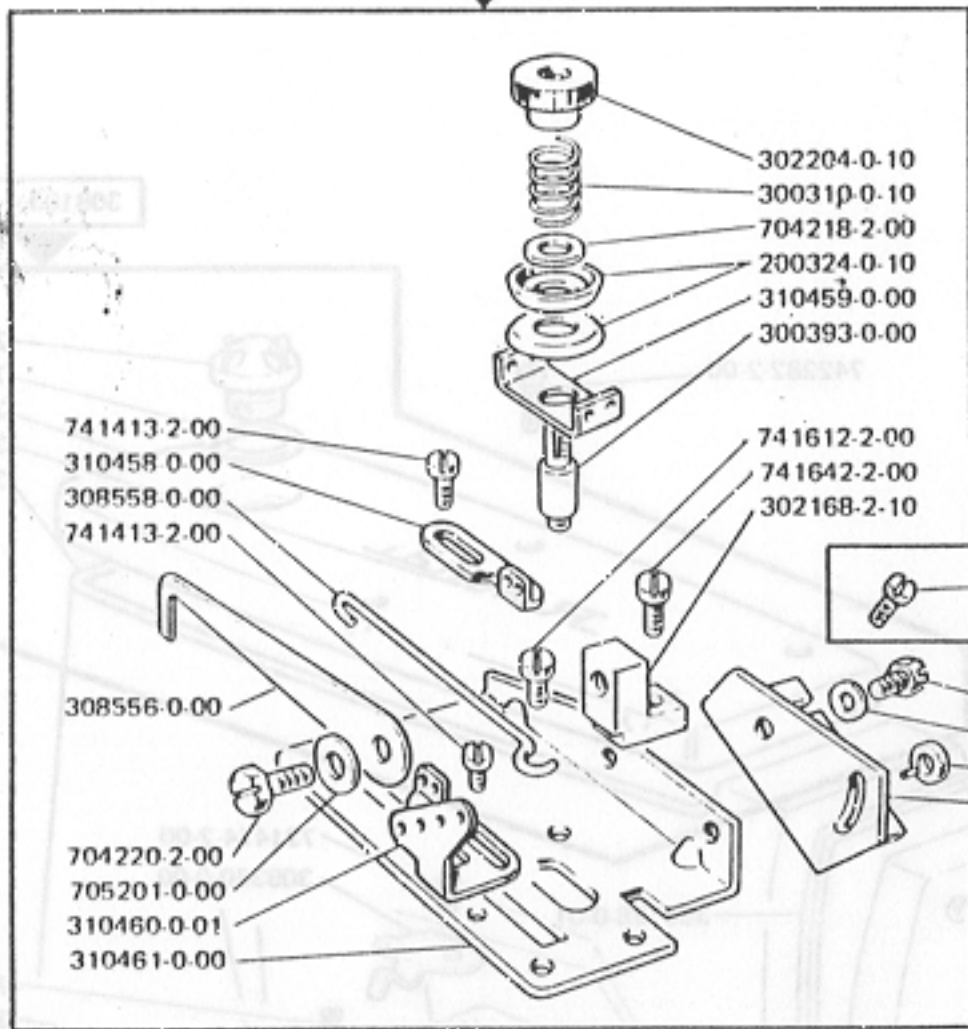
264-42-2LM-13	309920-5-00	309963-4-00	309929-2-00	309948-2-00	28,5	33	55
264-42-2LM-15	309922-5-00	309969-4-00	309935-2-00	309954-2-00	33 34,8	39	62
264-42-4LM-16	309919-5-00	309960-4-00	309926-2-00	309945-2-00	25,4	30	52
	309921-5-00	309966-4-00	309932-2-00	309951-2-00	31,8	36	58
264-42-4LM-17	309923-5-00	309972-4-00	309938-2-00	309957-2-00	38,2	43	65
	309919-5-00	309960-4-00	309926-2-00	309945-2-00	25,4	30	52
264-42-4LM-18	309923-5-00	309972-4-00	309938-2-00	309957-2-00	38,2	43	65
	309922-5-00	309969-4-00	309935-2-00	309954-2-00	33 34,8	39	62
264-42-4LM-24	309921-5-00	309966-4-00	309932-2-00	309951-2-00	31,8	36	58

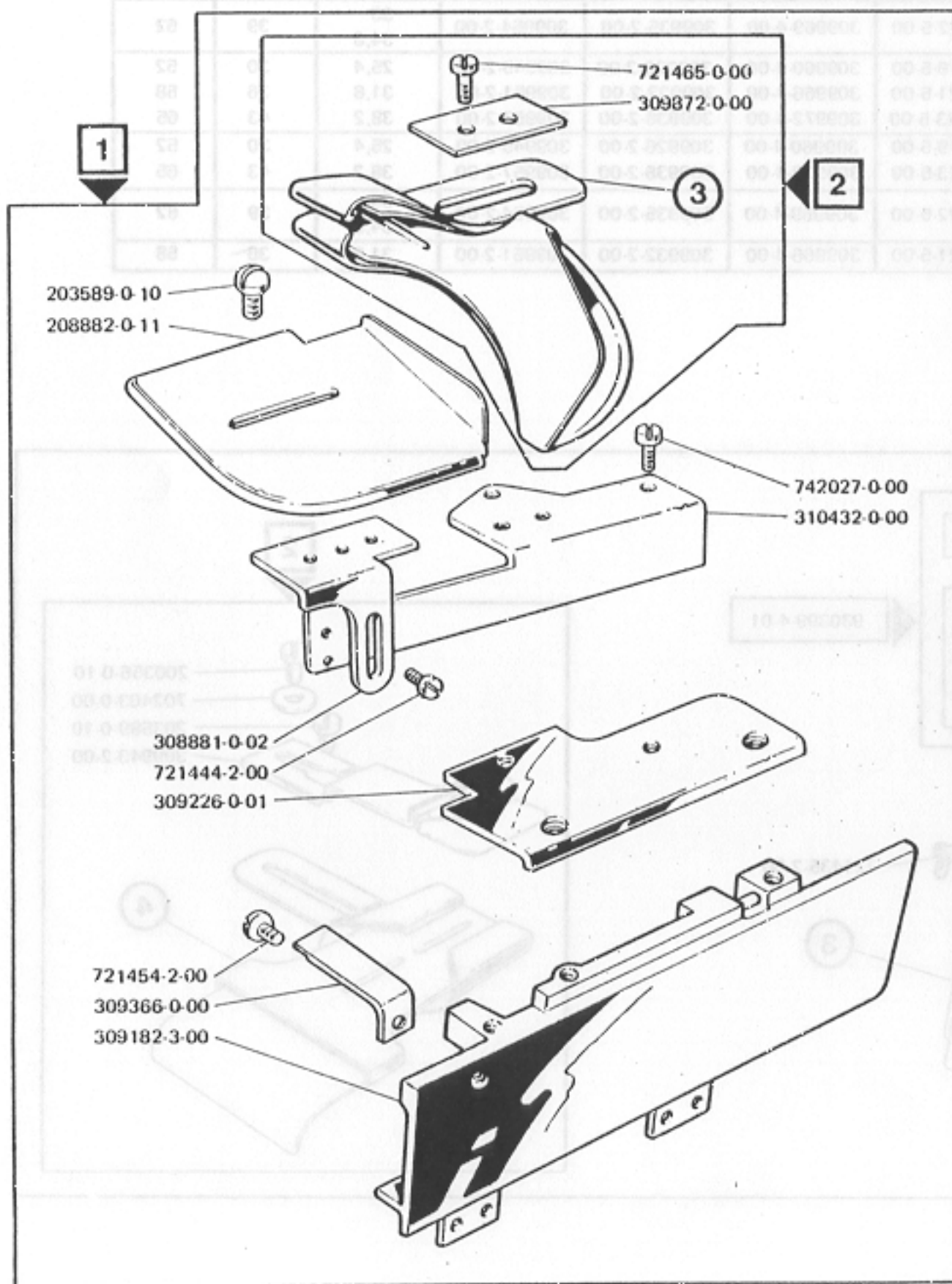
GUIDE PER CINTURE IN DUE PEZZI
 TWO PIECE WAISTBAND FOLDERS
 GUIDES POUR CEINTURES EN DEUX PIECES

1



310462-4.00





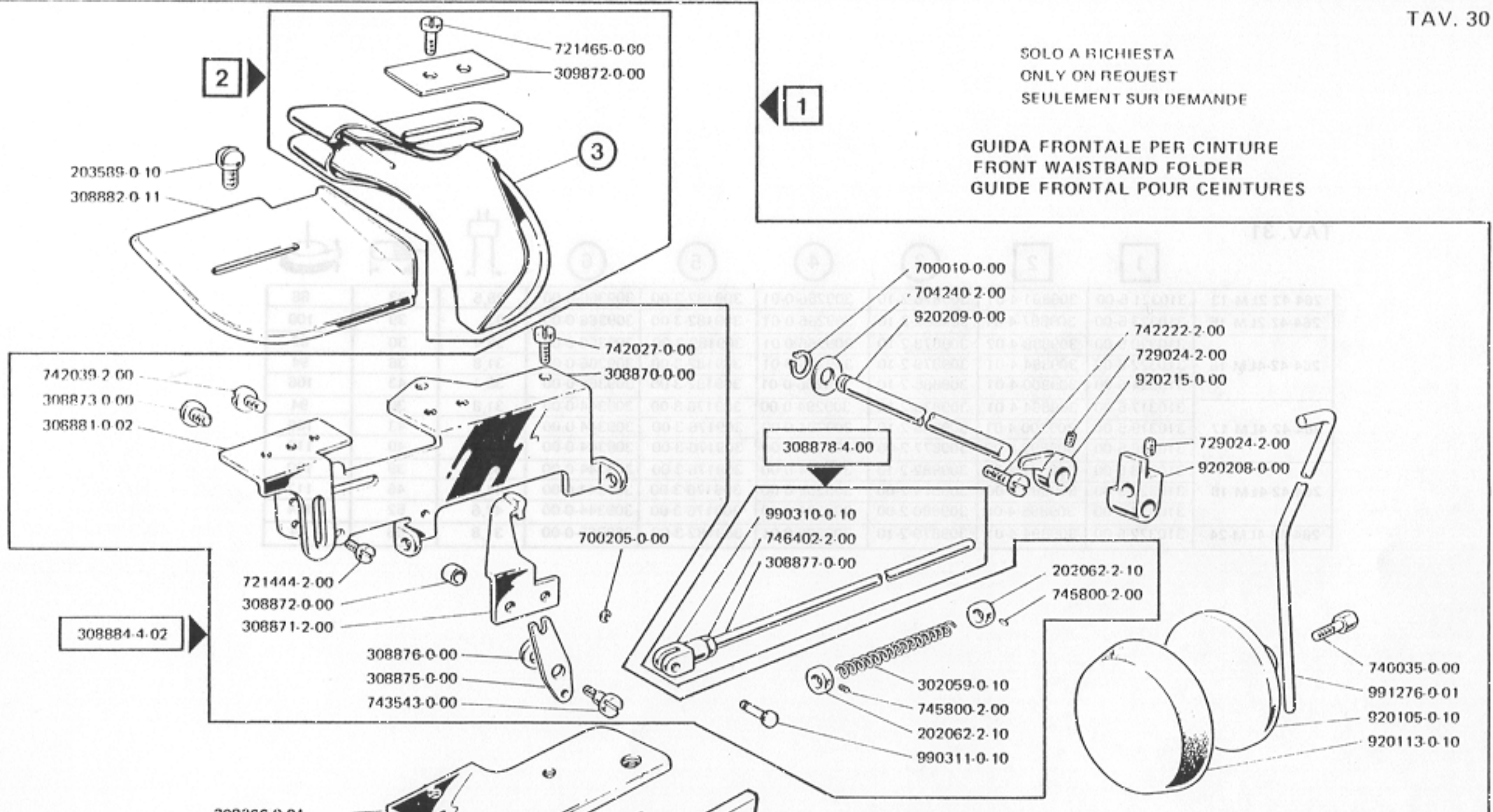
	1	2	3			
264-42-2LM-13	310311-5-00	309986-4-00	309977-2-00	28,5	33	88
264-42-2LM-15	310313-5-00	309988-4-00	309979-2-00	33	39	100
264-42-4LM-16	310310-5-00	309985-4-00	309976-2-00	25,4	30	82
	310312-5-00	309987-4-00	309978-2-00	31,8	36	94
	310314-5-00	309989-4-00	309980-2-00	38,2	43	106
264-42-4LM-17	310312-5-00	309987-4-00	309978-2-00	31,8	36	94
	310314-5-00	309989-4-00	309980-2-00	38,2	43	106
264-42-4LM-18	310314-5-00	309989-4-00	309980-2-00	38,2	43	106
264-42-4LM-24	310312-5-00	309987-4-00	309978-2-00	31,8	36	94

SOLO A RICHIESTA
 ONLY ON REQUEST
 SEULEMENT SUR DEMANDE

GUIDA FRONTALE PER CINTURE
 FRONT WAISTBAND FOLDER
 GUIDE FRONTAL POUR CEINTURES

SOLO A RICHIESTA
 ONLY ON REQUEST
 SEULEMENT SUR DEMANDE

GUIDA FRONTALE PER CINTURE
 FRONT WAISTBAND FOLDER
 GUIDE FRONTAL POUR CEINTURES



	1	2	3			
264-42-2LM-13	309906-5-01	309986-4-00	309977-2-00	28,5	33	88
264-42-2LM-15	309908-5-01	309988-4-00	309979-2-00	33	39	100
264-42-4LM-16	309905-5-01	309985-4-00	309976-2-00	25,4	30	82
	309907-5-01	309987-4-00	309978-2-00	31,8	36	94
	309909-5-01	309989-4-00	309980-2-00	38,2	43	106
264-42-4LM-17	309907-5-01	309987-4-00	309978-2-00	31,8	36	94
	309909-5-01	309989-4-00	309980-2-00	38,2	43	106
264-42-4LM-18	309909-5-01	309989-4-00	309980-2-00	38,2	43	106
264-42-4LM-24	309907-5-01	309987-4-00	309978-2-00	31,8	36	94

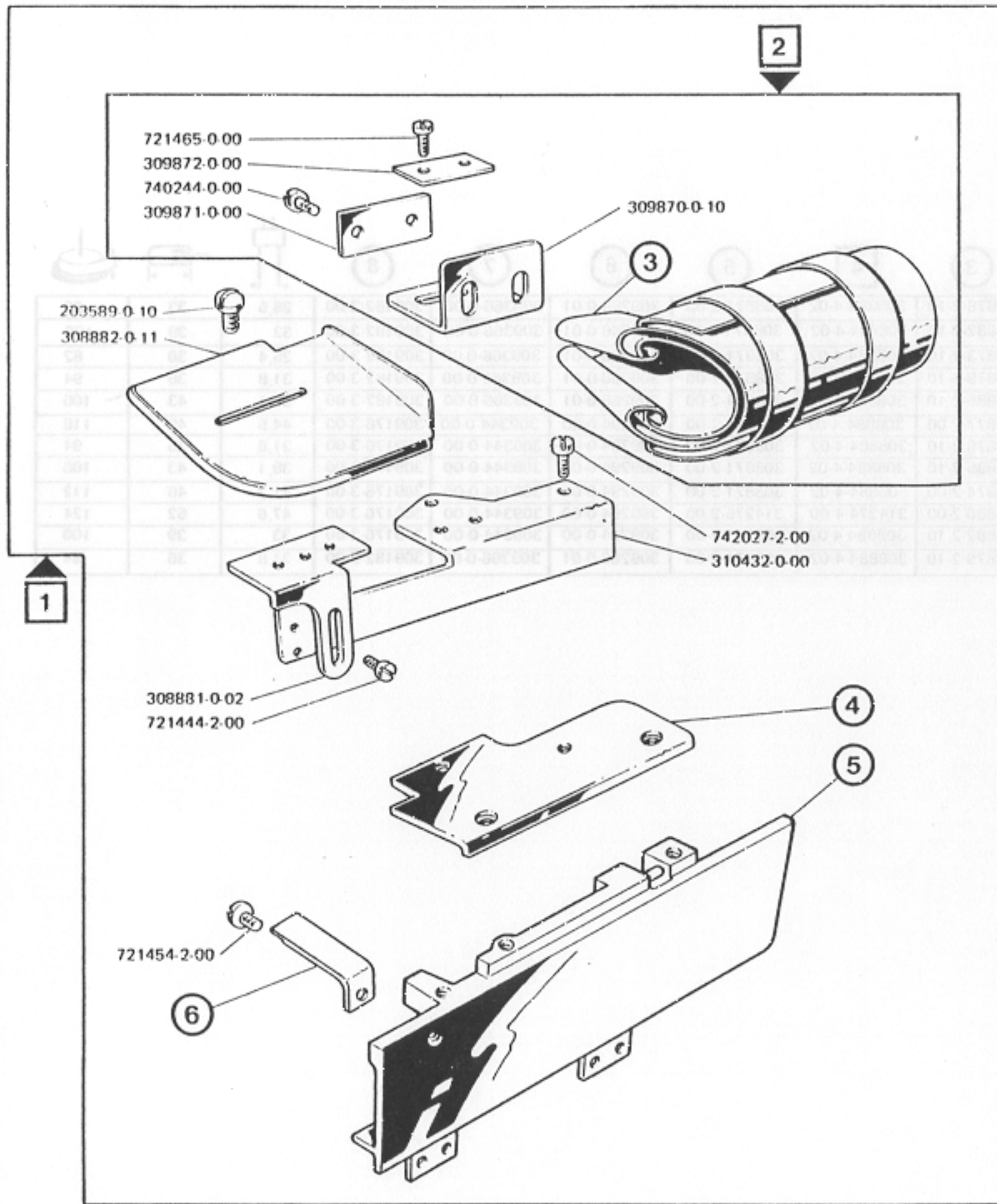
SEULEMENT SUR DEMANDE
 ONLY ON REQUEST
 SOLO A RICHIESTA
 GUIDE FRONTALE PER CINTURE
 FRONT WAISTBAND FOLDER
 GUIDE FRONTAL POUR CEINTURES

TAV. 31

- 1 2 3 4 5 6

264-42-2LM-13	310321-5-00	309891-4-01	309876-2-10	309266-0-01	309182-3-00	309366-0-00	28,5	33	88
264-42-2LM-15	310323-5-00	309897-4-01	309882-2-10	309266-0-01	309182-3-00	309366-0-00	33	39	100
264-42-4LM-16	310320-5-00	309888-4-02	309873-2-10	309266-0-01	309182-3-00	309366-0-00	25,4	30	82
	310322-5-00	309894-4-01	309879-2-10	309266-0-01	309182-3-00	309366-0-00	31,8	36	94
	310324-5-00	309900-4-01	309885-2-10	309266-0-01	309182-3-00	309366-0-00	38,1	43	106
264-42-4LM-17	310317-5-00	309894-4-01	309879-2-10	309294-0-00	309176-3-00	309344-0-00	31,8	36	94
	310319-5-00	309900-4-01	309885-2-10	309294-0-00	309176-3-00	309344-0-00	38,1	43	106
	310326-5-00	309892-4-00	309877-2-00	309294-0-00	309176-3-00	309344-0-00	44,5	49	118
264-42-4LM-18	310318-5-00	309897-4-01	309882-2-10	309294-0-00	309176-3-00	309344-0-00	33	39	100
	310325-5-00	309889-4-00	309874-2-00	309294-0-00	309176-3-00	309344-0-00	41,2	46	112
	310327-5-00	309895-4-00	309880-2-00	309294-0-00	309176-3-00	309344-0-00	47,6	52	124
264-42-4LM-24	310322-5-00	309894-4-01	309879-2-10	309266-0-01	309182-3-00	309366-0-00	31,8	36	94

264-42-2LM-13	309891-4-01	309876-2-10	309266-0-01	309182-3-00	309366-0-00	28,5	33	88
264-42-2LM-15	309897-4-01	309882-2-10	309266-0-01	309182-3-00	309366-0-00	33	39	100
264-42-4LM-16	309888-4-02	309873-2-10	309266-0-01	309182-3-00	309366-0-00	25,4	30	82
264-42-4LM-17	309894-4-01	309879-2-10	309266-0-01	309182-3-00	309366-0-00	31,8	36	94
264-42-4LM-18	309894-4-01	309879-2-10	309294-0-00	309176-3-00	309344-0-00	31,8	36	94
264-42-4LM-18	309889-4-00	309874-2-00	309294-0-00	309176-3-00	309344-0-00	41,2	46	112
264-42-4LM-18	309895-4-00	309880-2-00	309294-0-00	309176-3-00	309344-0-00	47,6	52	124
264-42-4LM-24	309894-4-01	309879-2-10	309266-0-01	309182-3-00	309366-0-00	31,8	36	94



SE VAT

SOLO A RICHIESTA
 ONLY ON REQUEST
 SEULEMENT SUR DEMANDE

GUIDA LATERALE PER CINTURE
 RIGHT ANGLE WAISTBAND FOLDER
 GUIDE LATERAL POUR CEINTURES

TAV. 32

1

2

3

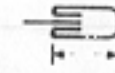
4

5

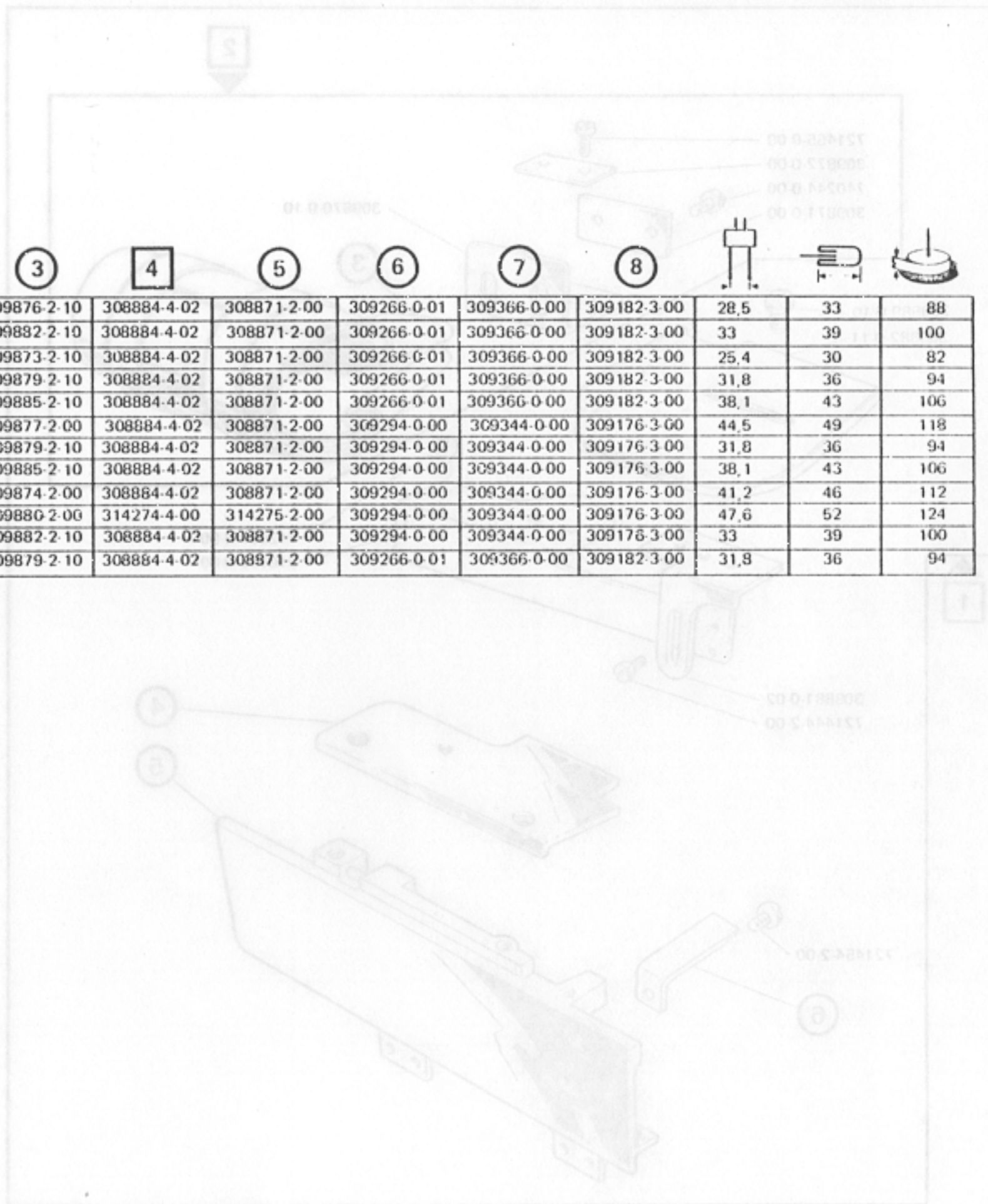
6

7

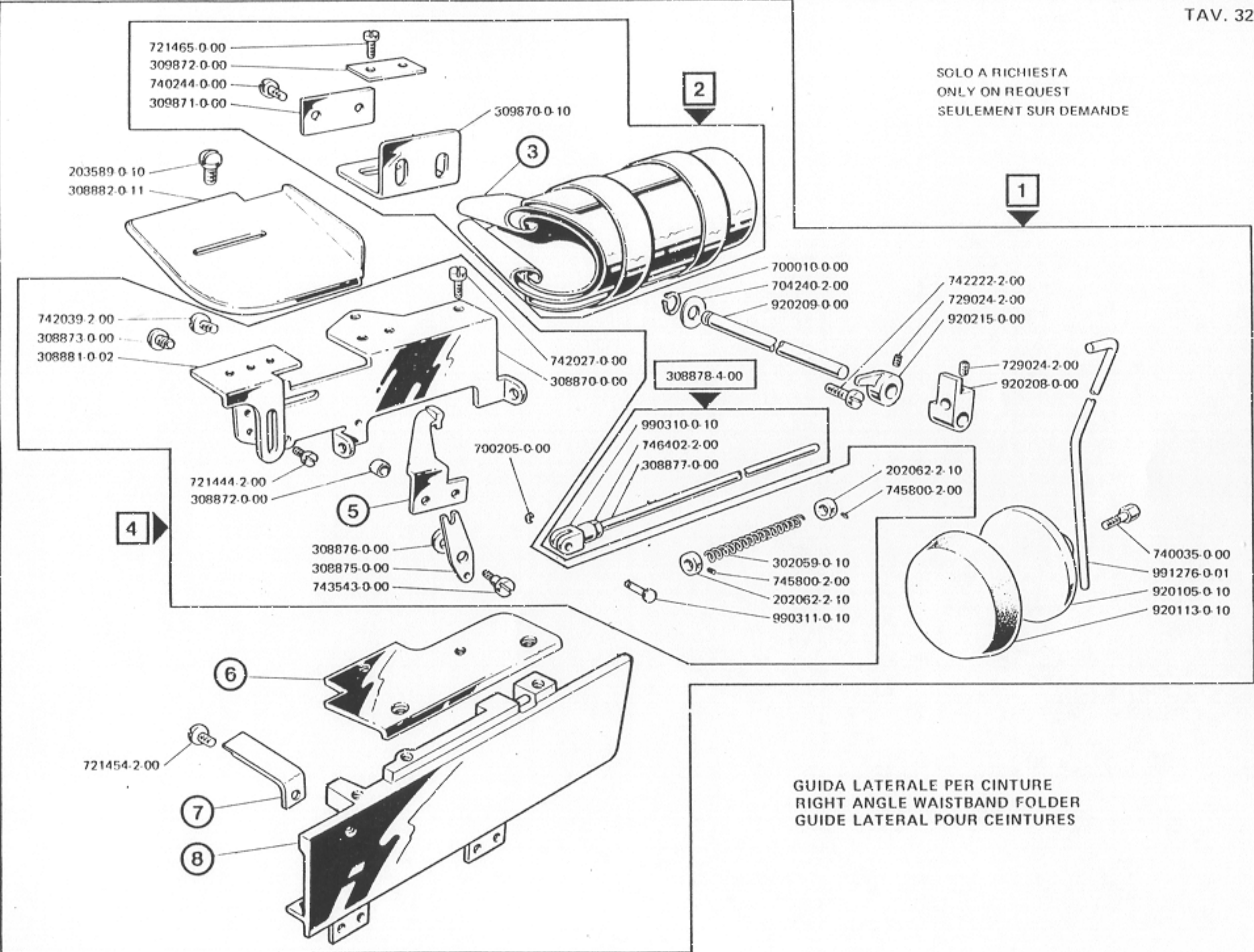
8



264-42-2LM-13	309913-5-01	309891-4-01	309876-2-10	308884-4-02	308871-2-00	309266-0-01	309366-0-00	309182-3-00	28,5	33	88
264-42-2LM-15	309915-5-01	309897-4-01	309882-2-10	308884-4-02	308871-2-00	309266-0-01	309366-0-00	309182-3-00	33	39	100
264-42-4LM-16	309912-5-01	309888-4-01	309873-2-10	308884-4-02	308871-2-00	309266-0-01	309366-0-00	309182-3-00	25,4	30	82
	309914-5-01	309894-4-01	309879-2-10	308884-4-02	308871-2-00	309266-0-01	309366-0-00	309182-3-00	31,8	36	94
	309916-5-01	309900-4-01	309885-2-10	308884-4-02	308871-2-00	309266-0-01	309366-0-00	309182-3-00	38,1	43	106
264-42-4LM-17	311762-5-00	309892-4-00	309877-2-00	308884-4-02	308871-2-00	309294-0-00	309344-0-00	309176-3-00	44,5	49	118
	311764-5-00	309894-4-01	309879-2-10	308884-4-02	308871-2-00	309294-0-00	309344-0-00	309176-3-00	31,8	36	94
	311766-5-00	309900-4-01	309885-2-10	308884-4-02	308871-2-00	309294-0-00	309344-0-00	309176-3-00	38,1	43	106
264-42-4LM-18	311761-5-00	309889-4-00	309874-2-00	308884-4-02	308871-2-00	309294-0-00	309344-0-00	309176-3-00	41,2	46	112
	311763-5-00	309895-4-00	309880-2-00	314274-4-00	314275-2-00	309294-0-00	309344-0-00	309176-3-00	47,6	52	124
	311765-5-00	309897-4-01	309882-2-10	308884-4-02	308871-2-00	309294-0-00	309344-0-00	309176-3-00	33	39	100
264-42-4LM-24	309914-5-01	309894-4-01	309879-2-10	308884-4-02	308871-2-00	309266-0-01	309366-0-00	309182-3-00	31,8	36	94



SOLO A RICHIESTA
 ONLY ON REQUEST
 SEULEMENT SUR DEMANDE



GUIDA LATERALE PER CINTURE
 RIGHT ANGLE WAISTBAND FOLDER
 GUIDE LATERAL POUR CEINTURES

721465-0-00
 309872-0-00
 740244-0-00
 309871-0-00

203589-0-10
 308882-0-11

742039-2-00
 308873-0-00
 308881-0-02

721444-2-00
 308872-0-00

721454-2-00

309870-0-10

742027-0-00
 308870-0-00

700205-0-00

308876-0-00
 308875-0-00
 743543-0-00

308878-4-00

990310-0-10
 746402-2-00
 308877-0-00

700010-0-00
 704240-2-00
 920209-0-00

742222-2-00
 729024-2-00
 920215-0-00

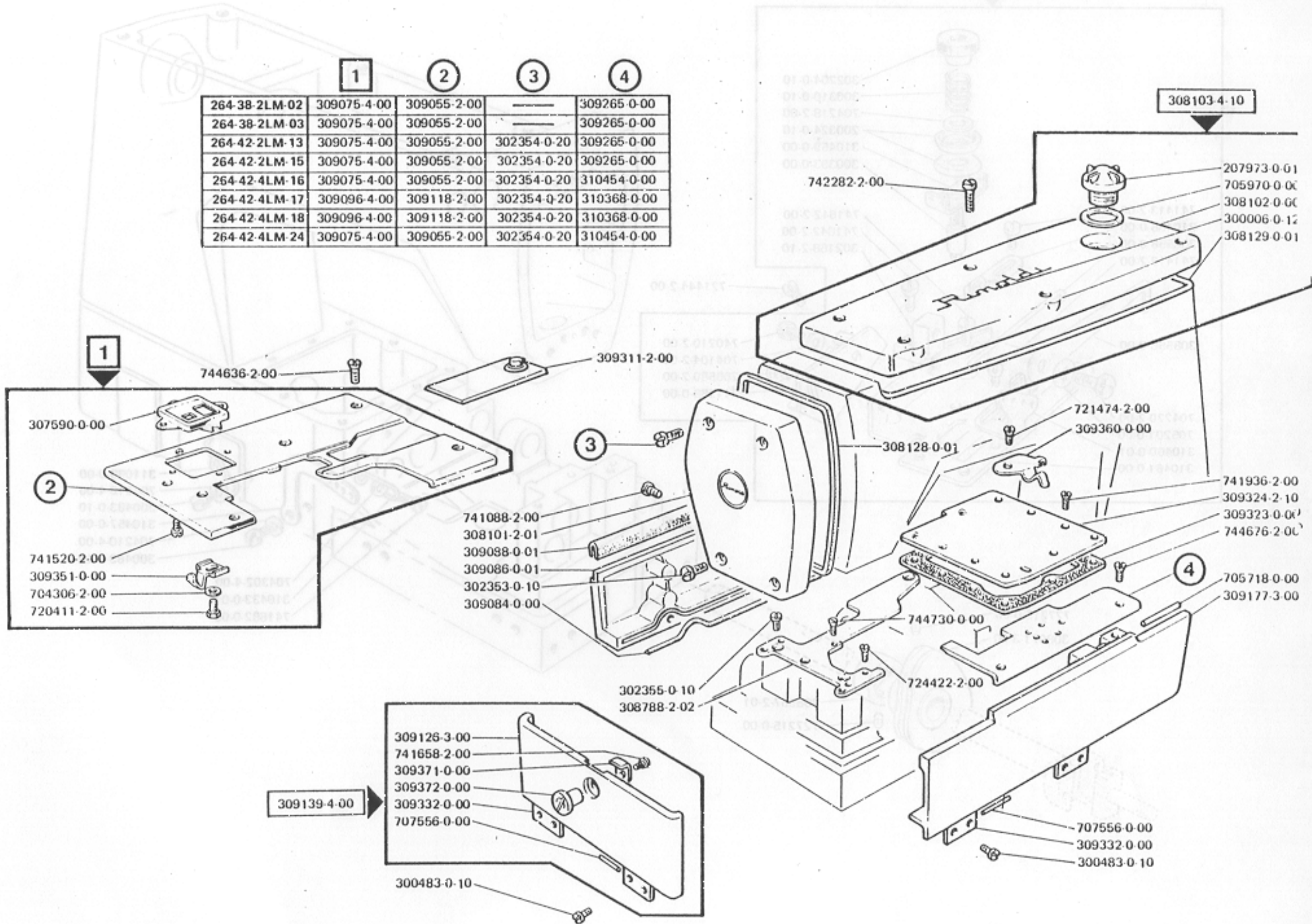
729024-2-00
 920208-0-00

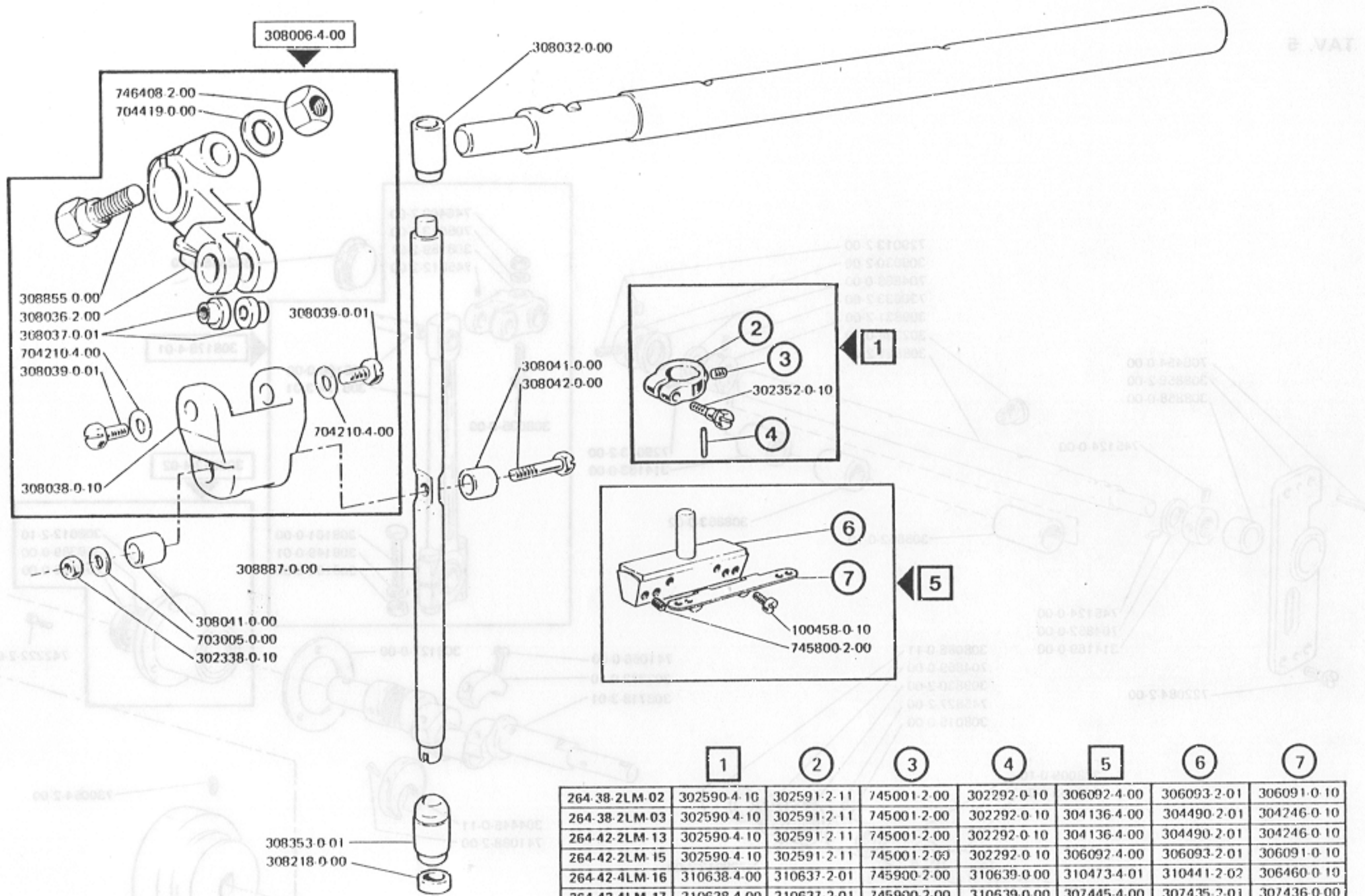
202062-2-10
 745800-2-00

302059-0-10
 745800-2-00
 202062-2-10
 990311-0-10

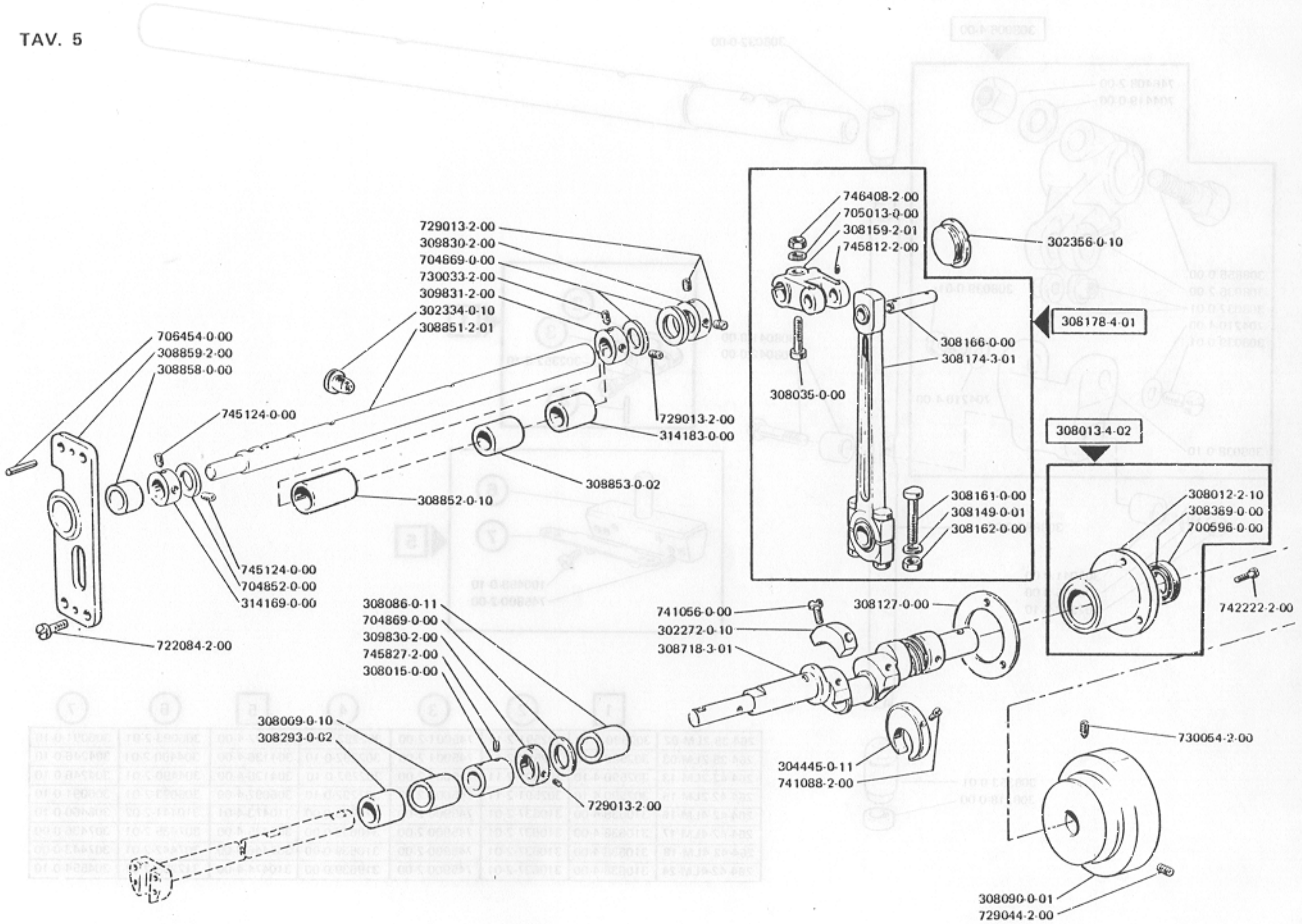
740035-0-00
 991276-0-01
 920105-0-10
 920113-0-10

	1	2	3	4
264-38-2LM-02	309075-4-00	309055-2-00	---	309265-0-00
264-38-2LM-03	309075-4-00	309055-2-00	---	309265-0-00
264-42-2LM-13	309075-4-00	309055-2-00	302354-0-20	309265-0-00
264-42-2LM-15	309075-4-00	309055-2-00	302354-0-20	309265-0-00
264-42-4LM-16	309075-4-00	309055-2-00	302354-0-20	310454-0-00
264-42-4LM-17	309096-4-00	309118-2-00	302354-0-20	310368-0-00
264-42-4LM-18	309096-4-00	309118-2-00	302354-0-20	310368-0-00
264-42-4LM-24	309075-4-00	309055-2-00	302354-0-20	310454-0-00

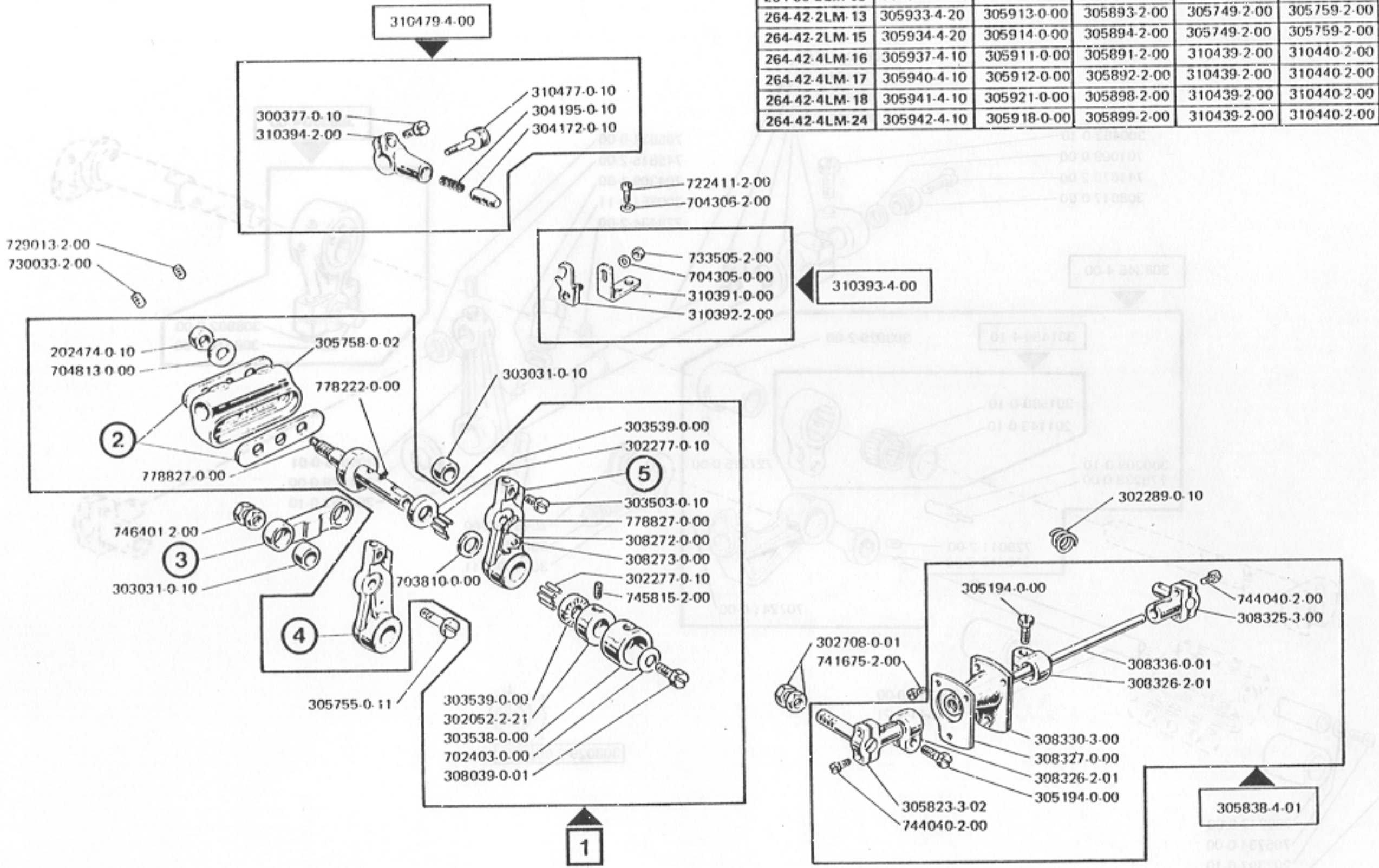




	1	2	3	4	5	6	7
264-38-2LM-02	302590-4-10	302591-2-11	745001-2-00	302292-0-10	306092-4-00	306093-2-01	306091-0-10
264-38-2LM-03	302590-4-10	302591-2-11	745001-2-00	302292-0-10	304136-4-00	304490-2-01	304246-0-10
264-42-2LM-13	302590-4-10	302591-2-11	745001-2-00	302292-0-10	304136-4-00	304490-2-01	304246-0-10
264-42-2LM-15	302590-4-10	302591-2-11	745001-2-00	302292-0-10	306092-4-00	306093-2-01	306091-0-10
264-42-4LM-16	310638-4-00	310637-2-01	745900-2-00	310639-0-00	310473-4-01	310441-2-02	306460-0-10
264-42-4LM-17	310638-4-00	310637-2-01	745900-2-00	310639-0-00	307445-4-00	307435-2-01	307436-0-00
264-42-4LM-18	310638-4-00	310637-2-01	745900-2-00	310639-0-00	307446-4-00	307442-2-01	307443-0-00
264-42-4LM-24	310638-4-00	310637-2-01	745900-2-00	319639-0-00	310474-4-00	312295-2-01	304554-0-10

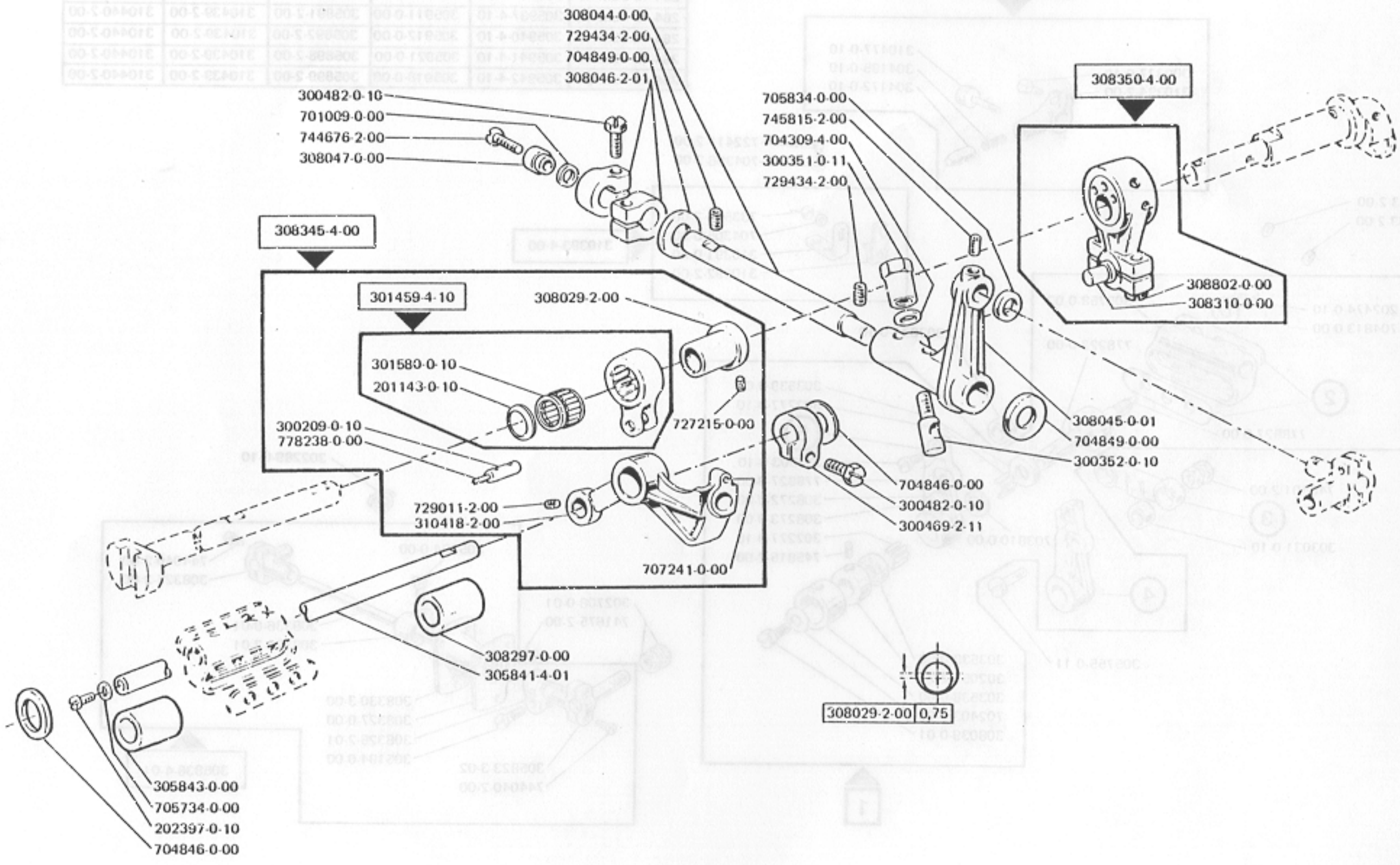


	1	2	3	4	5
264-38-2LM-02	305934-4-20	305914-0-00	305894-2-00	305749-2-00	305759-2-00
264-38-2LM-03	305933-4-20	305913-0-00	305893-2-00	305749-2-00	305759-2-00
264-42-2LM-13	305933-4-20	305913-0-00	305893-2-00	305749-2-00	305759-2-00
264-42-2LM-15	305934-4-20	305914-0-00	305894-2-00	305749-2-00	305759-2-00
264-42-4LM-16	305937-4-10	305911-0-00	305891-2-00	310439-2-00	310440-2-00
264-42-4LM-17	305940-4-10	305912-0-00	305892-2-00	310439-2-00	310440-2-00
264-42-4LM-18	305941-4-10	305921-0-00	305898-2-00	310439-2-00	310440-2-00
264-42-4LM-24	305942-4-10	305918-0-00	305899-2-00	310439-2-00	310440-2-00



TAV. 7

308148-2-00	308148-2-00	308148-2-00	308148-2-00	308148-2-00	308148-2-00
308148-2-00	308148-2-00	308148-2-00	308148-2-00	308148-2-00	308148-2-00
308148-2-00	308148-2-00	308148-2-00	308148-2-00	308148-2-00	308148-2-00
308148-2-00	308148-2-00	308148-2-00	308148-2-00	308148-2-00	308148-2-00
308148-2-00	308148-2-00	308148-2-00	308148-2-00	308148-2-00	308148-2-00
308148-2-00	308148-2-00	308148-2-00	308148-2-00	308148-2-00	308148-2-00
308148-2-00	308148-2-00	308148-2-00	308148-2-00	308148-2-00	308148-2-00
308148-2-00	308148-2-00	308148-2-00	308148-2-00	308148-2-00	308148-2-00
308148-2-00	308148-2-00	308148-2-00	308148-2-00	308148-2-00	308148-2-00
308148-2-00	308148-2-00	308148-2-00	308148-2-00	308148-2-00	308148-2-00



1

264-38-2LM-02	305764-0-00
264-38-2LM-03	305764-0-00
264-42-2LM-13	305764-0-00
264-42-2LM-15	305764-0-00
264-42-4LM-16	310446-0-00
264-42-4LM-17	307444-0-00
264-42-4LM-18	307444-0-00
264-42-4LM-24	312293-0-00

