

Singer 591

Singer 601

ILLUSTRATED

PARTS LIST

FOR

**SINGER\***

MACHINE

**591**

**601**

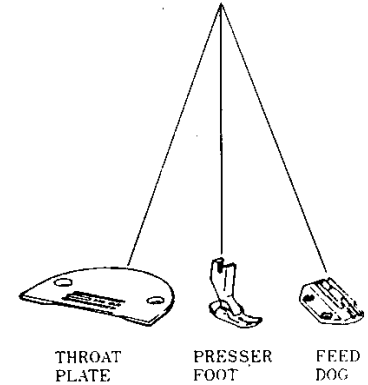
\* A Trademark of THE SINGER COMPANY  
Copyright ©1987 SINGER SEWING MACHINE COMPANY  
All Rights Reserved Throughout The World



## FITTINGS PARTS LIST

5 9 1	THROAT PLATE	PRESSER FOOT	FEED DOG	5 9 1	THROAT PLATE	PRESSER FOOT	FEED DOG	6 0 1	THROAT PLATE	PRESSER FOOT	FEED DOG
D 203 AD	52033-452	505643	149031	C 200 AD	410919	410916	410925	D 100 AD	52033-452	505643	149031
D 203 AF	52033-452	505643	149031	C 200 AF	410919	410916	410925	D 100 AF	52033-452	505643	149031
D 205 AD	414042-008	522683-008	522674	C 240 AD	410919	410916	410925	D 100 BD	414464	505643	414463
D 205 AF	414042-008	522683-008	522674	C 240 AF	410919	410916	410925	D 100 BF	414464	505643	414463
D 240 AD	52033-452	505643	149031	C 300 AD	410969-452	530541	275010	D 100 GD	414464	505643	414463
D 240 AF	52033-452	505643	149031	C 300 AF	410969-452	530541	275010	D 100 GF	414464	505643	414463
D 303 AD	12482-452	543419	12481	C 308 AD	410969-452	410922	275010				
D 303 AF	12482-452	543419	12481	C 308 AF	410969-452	410922	275010				
D 305 AD	414043-012	522680-012	522674	C 200 BD	410919	410916	410933				
D 305 AF	414043-012	522680-012	522674	C 200 BF	410919	410916	410933				
D 308 AD	543484	541585-002	543396	C 210 BD	410919	410916	410933				
D 308 AF	543484	541585-002	543396	C 210 BF	410919	410916	410933				
D 200 BD	414464	505643	414463	C 240 BD	410919	410916	410933				
D 200 BF	414464	505643	414463	C 240 BF	410919	410916	410933				
D 210 BD	414464	505643	414463	C 300 BD	410969-452	530541	410918				
D 210 BF	414464	505643	414463	C 300 BF	410969-452	530541	410918				
D 215 BD	414042-008	522683-008	414039	C 310 BD	410969-452	530541	410918				
D 215 BF	414042-008	522683-008	414039	C 310 BF	410969-452	530541	410918				
D 240 BD	414464	505643	414463	C 318 BD	410969-452	410922	410918				
D 240 BF	414464	505643	414463	C 318 BF	410969-452	410922	410918				
D 300 BD	12482-452	543419	544818	C 200 GD	410919	410916	410933				
D 300 BF	12482-452	543419	544818	C 200 GF	410919	412916	410933				
D 310 BD	12482-452	543419	544818	C 210 GD	410919	410916	410933				
D 310 BF	12482-452	543419	544818	C 210 GF	410919	410916	410933				
D 315 BD	414043-012	522680-012	414039	C 240 GD	410919	505643	410933				
D 315 BF	414043-012	522680-012	414039	C 240 GF	410919	505643	410933				
D 318 BD	543484	541585-002	544885	C 300 GD	410969-452	530541	410918				
D 318 BF	543484	541585-002	544885	C 300 GF	410969-452	530541	410918				
D 200 GD	414464	505643	414463	C 310 GD	410969-452	530541	410918				
D 200 GF	414464	505643	414463	C 310 GF	410969-452	530541	410918				
D 210 GD	414464	505643	414463	UX 100 AF	52145	543059	149144				
D 210 GF	414464	505643	414463	UX 301 AF	414213-452	543024-001	149436				
D 215 GD	414042-008	522683-008	414039	UX 302 AF	414213-452	543117-001	149436				
D 215 GF	414042-008	522683-008	414039	UX 100 BF	52145	543059	414229				
D 240 GD	414464	505643	414463	UX 312 BF	414213-452	543117-001	414212				
D 240 GF	414464	505643	414463	UX 313 BF	12482-452	543419	544818				
D 300 GD	12482-452	543419	544818	UX 100 GF	52145	543059	414229				
D 300 GF	12482-452	543419	544818	UX 220 GF	414464	505643	414463				
D 310 GD	12482-452	543419	544818	UX 312 GF	414213-452	543117-001	414212				
D 310 GF	12482-452	543419	544818	UX 320 GF	12482-452	543419	544818				
D 315 GD	414043-012	522680-012	414039								
D 315 GF	414043-012	522680-012	414039								

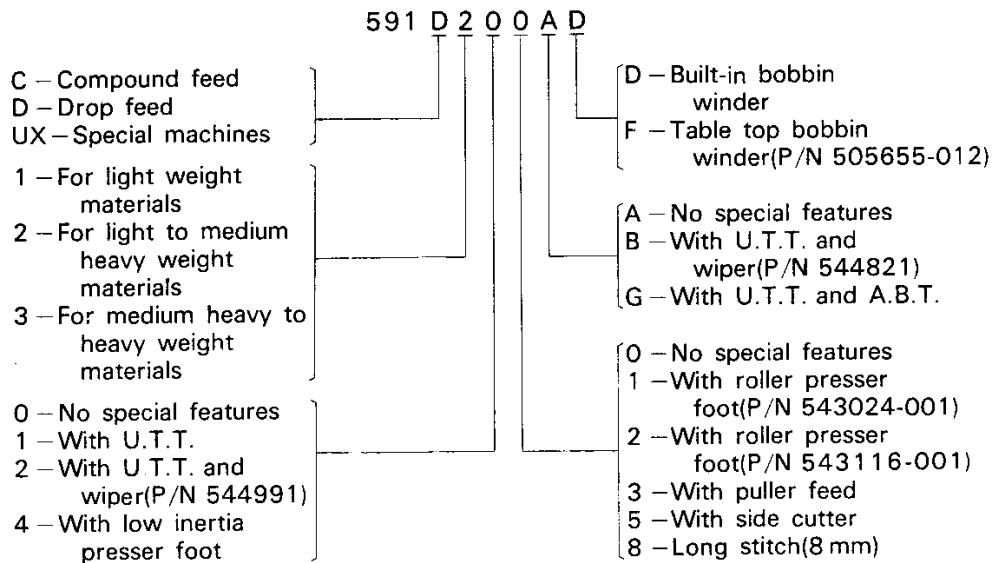
### SEE LIST FOR FITTINGS



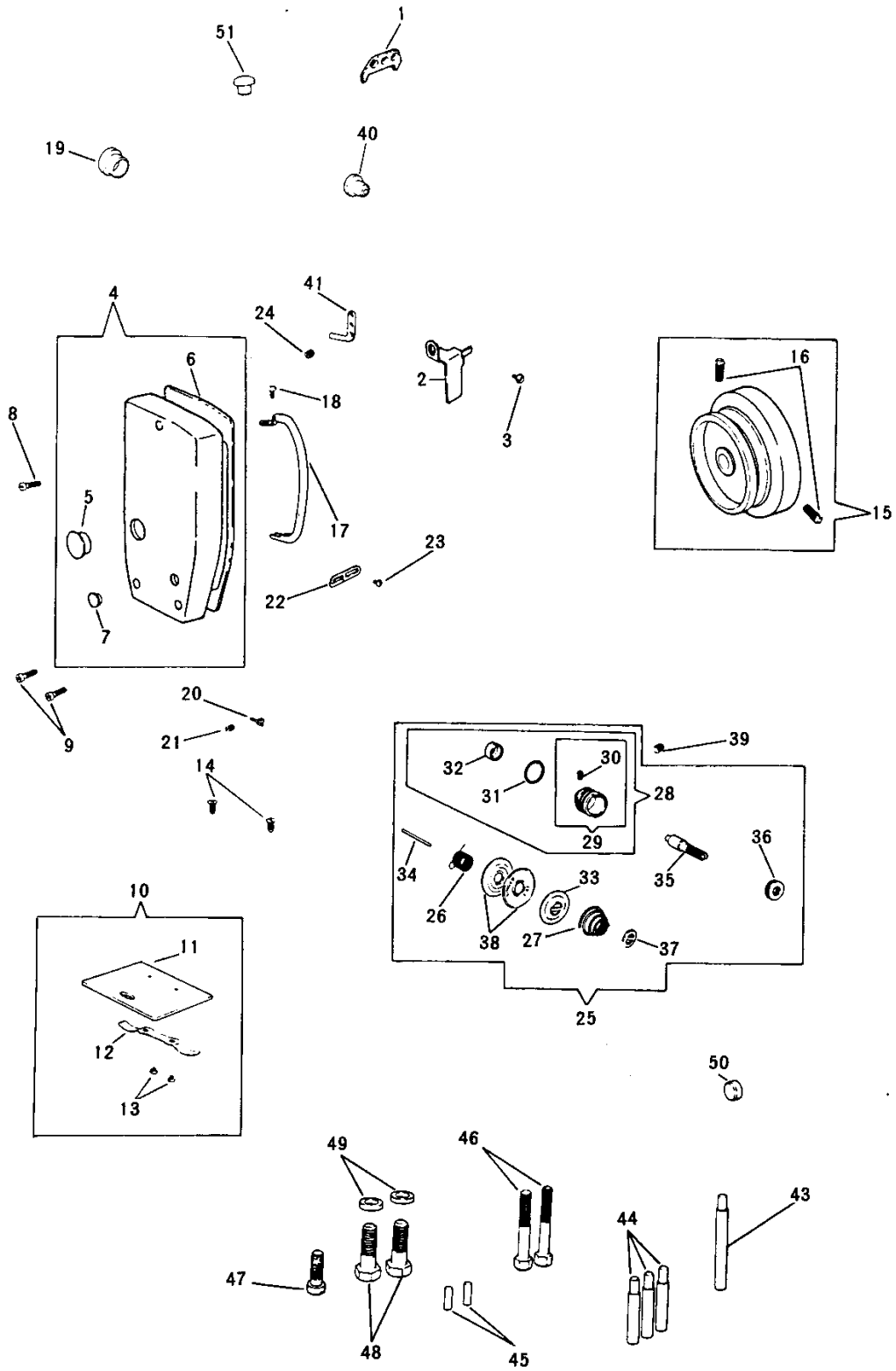
**Note:**

- Standard trim margin for 591D205AD/AF and 591D215BD/BF, 215 GD/GF is 1/8".
- Standard trim margin for 591D305AD/AF and 591D315BD/BF, 315 GD/GF is 3/16".

## MACHINE NUMBERING SYSTEM



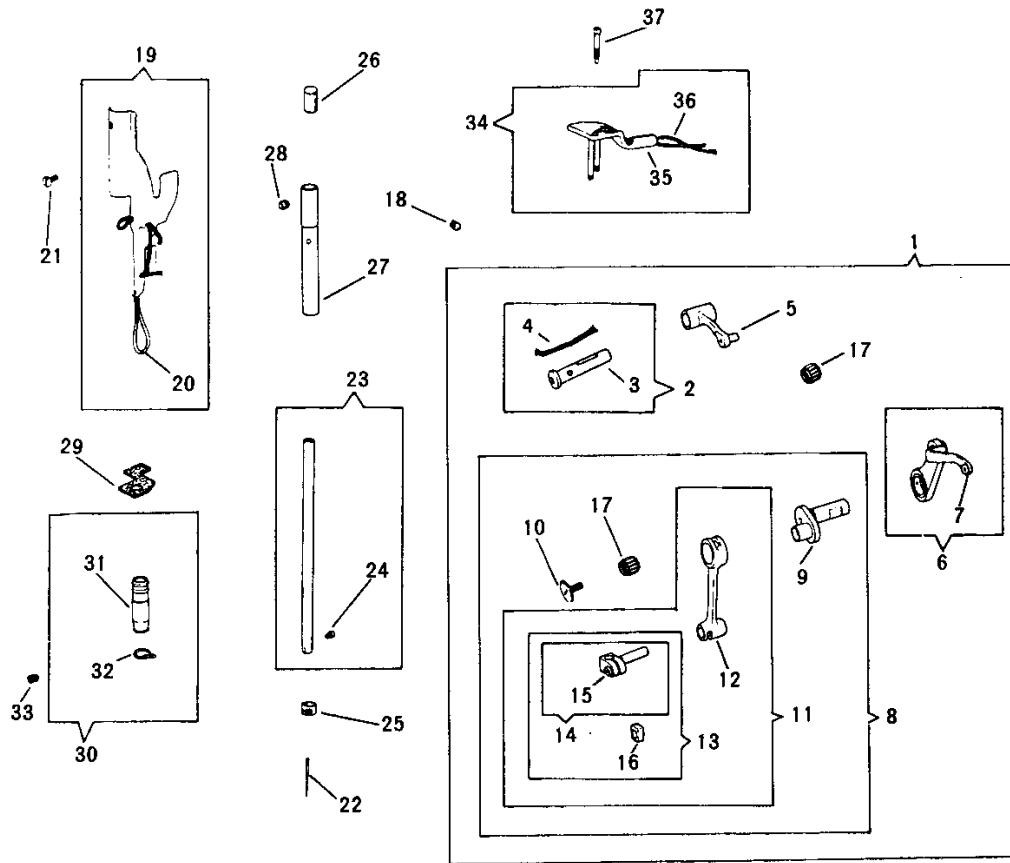
COVERS



591 MODEL															601 MODEL						
GROUP	VARIETY	GROUP	VARIETY	GROUP	VARIETY	GROUP	VARIETY	GROUP	VARIETY	GROUP	VARIETY	GROUP	VARIETY	GROUP	VARIETY	GROUP	VARIETY				
A	D203AD	D	D305AF	E	D240BD	F	D318BF	F	D300GD	G	C240AF	J	C240BD	J	C200GF	M	UX100AF	F	UX320GF	R	D100AD
A	D203AF	D	D308AD	E	D240BF	E	D200GD	F	D300GF	H	C300AD	J	C240BF	J	C210GD	N	UX301AF			R	D100AF
B	D205AD	D	D308AF	F	D300BD	E	D200GF	F	D310GD	H	C300AF	K	C300BD	J	C210GF	N	UX302AF			S	D100BD
B	D205AF	E	D200BD	F	D300BF	E	D210GD	F	D310GF	I	C308AD	K	C300BF	J	C240GD	O	UX100BF			S	D100BF
B	D240AD	E	D200BF	F	D310BD	E	D210GF	F	D315GD	I	C308AF	K	C310BD	J	C240GF	P	UX312BF			S	D100GD
B	D240AF	E	D210BD	F	D310BF	E	D215GD	F	D315GF	J	C200BD	K	C310BF	K	C300GD	Q	UX313BF			S	D100GF
C	D303AD	E	D210BF	F	D315BD	E	D215GF	G	C200AD	J	C200BF	L	C318BD	K	C300GF	O	UX100GF				
C	D303AF	E	D215BD	F	D315BF	E	D240GD	G	C200AF	J	C210BD	L	C318BF	K	C310GD	E	UX220GF				
D	D305AD	E	D215BF	F	D318BD	E	D240GF	G	C240AD	J	C210BF	J	C200GD	K	C310GF	P	UX312GF				

NO.	PART NO.	GROUP																	DESCRIPTION		
		A	B	C	D	E	F	G	H	I	J	K	L	M	N	O	P	Q		R	S
1	540762	*	*	*	*	*	*	*	*	*	*	*	*	*	*	*	*	*	*	*	Thread Guide
2	410774	*	*	*	*	*	*	*	*	*	*	*	*	*	*	*	*	*	*	*	Arm Side Shield
3	504010-451	*	*	*	*	*	*	*	*	*	*	*	*	*	*	*	*	*	*	*	Arm Side Shield Screw
4	544874	*	*	*	*	*	*	*	*	*	*	*	*	*	*	*	*	*	*	*	Face Plate Complete
4	410857	*	*	*	*	*	*	*	*	*	*	*	*	*	*	*	*	*	*	*	Face Plate Complete
4	410786	*	*	*	*	*	*	*	*	*	*	*	*	*	*	*	*	*	*	*	Face Plate Complete
4	414004	*	*	*	*	*	*	*	*	*	*	*	*	*	*	*	*	*	*	*	Face Plate Complete
5	544875	*	*	*	*	*	*	*	*	*	*	*	*	*	*	*	*	*	*	*	Face Plate Plug(large)
6	544876	*	*	*	*	*	*	*	*	*	*	*	*	*	*	*	*	*	*	*	Face Plate Gasket
7	544782	*	*	*	*	*	*	*	*	*	*	*	*	*	*	*	*	*	*	*	Face Plate Plug(small)
8	154971	*	*	*	*	*	*	*	*	*	*	*	*	*	*	*	*	*	*	*	Face Plate Screw
9	154971	*	*	*	*	*	*	*	*	*	*	*	*	*	*	*	*	*	*	*	Face Plate Screw(2)
10	505317-451	*	*	*	*	*	*	*	*	*	*	*	*	*	*	*	*	*	*	*	Bed Slide Complete
10	505317-452	*	*	*	*	*	*	*	*	*	*	*	*	*	*	*	*	*	*	*	Bed Slide Complete
11	12431-452	*	*	*	*	*	*	*	*	*	*	*	*	*	*	*	*	*	*	*	Bed Slide
12	154884	*	*	*	*	*	*	*	*	*	*	*	*	*	*	*	*	*	*	*	Bed Slide Spring
13	154789-451	*	*	*	*	*	*	*	*	*	*	*	*	*	*	*	*	*	*	*	Bed Slide Spring Screw(2)
14	691-845	*	*	*	*	*	*	*	*	*	*	*	*	*	*	*	*	*	*	*	Throat Plate Screw(2)
15	544901	*	*	*	*	*	*	*	*	*	*	*	*	*	*	*	*	*	*	*	Machine Pulley Complete
15	410891	*	*	*	*	*	*	*	*	*	*	*	*	*	*	*	*	*	*	*	Machine Pulley Complete
15	414326	*	*	*	*	*	*	*	*	*	*	*	*	*	*	*	*	*	*	*	Machine Pulley Complete
15	414328	*	*	*	*	*	*	*	*	*	*	*	*	*	*	*	*	*	*	*	Machine Pulley Complete
16	504119	*	*	*	*	*	*	*	*	*	*	*	*	*	*	*	*	*	*	*	Machine Pulley Set Screw(2)
16	504070	*	*	*	*	*	*	*	*	*	*	*	*	*	*	*	*	*	*	*	Machine Pulley Set Screw(2)
17	544873-452	*	*	*	*	*	*	*	*	*	*	*	*	*	*	*	*	*	*	*	Thread Take-up Lever Guard
18	504010-451	*	*	*	*	*	*	*	*	*	*	*	*	*	*	*	*	*	*	*	Thread Take-up Lever Guard Screw
19	544886	*	*	*	*	*	*	*	*	*	*	*	*	*	*	*	*	*	*	*	Thread Take-up Crank Clamping Screw Hole Plug
20	545901	*	*	*	*	*	*	*	*	*	*	*	*	*	*	*	*	*	*	*	Thread Eyelet(side of arm)
21	549128	*	*	*	*	*	*	*	*	*	*	*	*	*	*	*	*	*	*	*	Thread Eyelet(side of arm) Screw
22	540549	*	*	*	*	*	*	*	*	*	*	*	*	*	*	*	*	*	*	*	Thread Guard(side of arm)
23	549336	*	*	*	*	*	*	*	*	*	*	*	*	*	*	*	*	*	*	*	Thread Guard(side of arm) Screw
24	504094	*	*	*	*	*	*	*	*	*	*	*	*	*	*	*	*	*	*	*	Thread Retainer Set Screw
25	414274	*	*	*	*	*	*	*	*	*	*	*	*	*	*	*	*	*	*	*	Tension Complete
25	414275	*	*	*	*	*	*	*	*	*	*	*	*	*	*	*	*	*	*	*	Tension Complete
26	32758	*	*	*	*	*	*	*	*	*	*	*	*	*	*	*	*	*	*	*	Thread Take-up Spring
27	540682	*	*	*	*	*	*	*	*	*	*	*	*	*	*	*	*	*	*	*	Tension Spring
27	125314	*	*	*	*	*	*	*	*	*	*	*	*	*	*	*	*	*	*	*	Tension Spring
28	546928	*	*	*	*	*	*	*	*	*	*	*	*	*	*	*	*	*	*	*	Thread Take-up Spring Regulator O-ring and Cap
29	546927	*	*	*	*	*	*	*	*	*	*	*	*	*	*	*	*	*	*	*	Thread Take-up Spring Regulator Complete
30	504047	*	*	*	*	*	*	*	*	*	*	*	*	*	*	*	*	*	*	*	Tension Stud Set Screw
31	540533	*	*	*	*	*	*	*	*	*	*	*	*	*	*	*	*	*	*	*	Thread Take-up Spring Regulator O-ring
32	540534	*	*	*	*	*	*	*	*	*	*	*	*	*	*	*	*	*	*	*	Thread Take-up Spring Regulator Rubber Cap
33	414273	*	*	*	*	*	*	*	*	*	*	*	*	*	*	*	*	*	*	*	Tension Releasing Disc
34	540684	*	*	*	*	*	*	*	*	*	*	*	*	*	*	*	*	*	*	*	Tension Releasing Pin
35	545898	*	*	*	*	*	*	*	*	*	*	*	*	*	*	*	*	*	*	*	Tension Stud Complete
36	541182	*	*	*	*	*	*	*	*	*	*	*	*	*	*	*	*	*	*	*	Tension Regulating Thumb Nut
37	411154	*	*	*	*	*	*	*	*	*	*	*	*	*	*	*	*	*	*	*	Tension Regulating Thumb Nut Washer
38	2102	*	*	*	*	*	*	*	*	*	*	*	*	*	*	*	*	*	*	*	Tension Disc(2)
39	154781	*	*	*	*	*	*	*	*	*	*	*	*	*	*	*	*	*	*	*	Thread Take-up Spring Regulator Set Screw
40	544782	*	*	*	*	*	*	*	*	*	*	*	*	*	*	*	*	*	*	*	Arm Shaft(uptight) Bevel Gear(upper) Set Screw Hole Plug
41	52454	*	*	*	*	*	*	*	*	*	*	*	*	*	*	*	*	*	*	*	Thread Retainer
43	545776	*	*	*	*	*	*	*	*	*	*	*	*	*	*	*	*	*	*	*	Bed Leg(long)
44	545777	*	*	*	*	*	*	*	*	*	*	*	*	*	*	*	*	*	*	*	Bed Leg(short)(3)
45	505001	*	*	*	*	*	*	*	*	*	*	*	*	*	*	*	*	*	*	*	Arm Dowel Pin(2)
46	545033	*	*	*	*	*	*	*	*	*	*	*	*	*	*	*	*	*	*	*	Arm Screw(back)(2)
47	504064	*	*	*	*	*	*	*	*	*	*	*	*	*	*	*	*	*	*	*	Arm Screw(small)
48	544368	*	*	*	*	*	*	*	*	*	*	*	*	*	*	*	*	*	*	*	Arm Screw(front)
49	543826	*	*	*	*	*	*	*	*	*	*	*	*	*	*	*	*	*	*	*	Arm Screw(front) Washer(2)
50	545775	*	*	*	*	*	*	*	*	*	*	*	*	*	*	*	*	*	*	*	Bed Hole Plug
51	544782	*	*	*	*	*	*	*	*	*	*	*	*	*	*	*	*	*	*	*	Arm Shaft(horizontal) Flanged Bushing(front) Oil Tube Cap

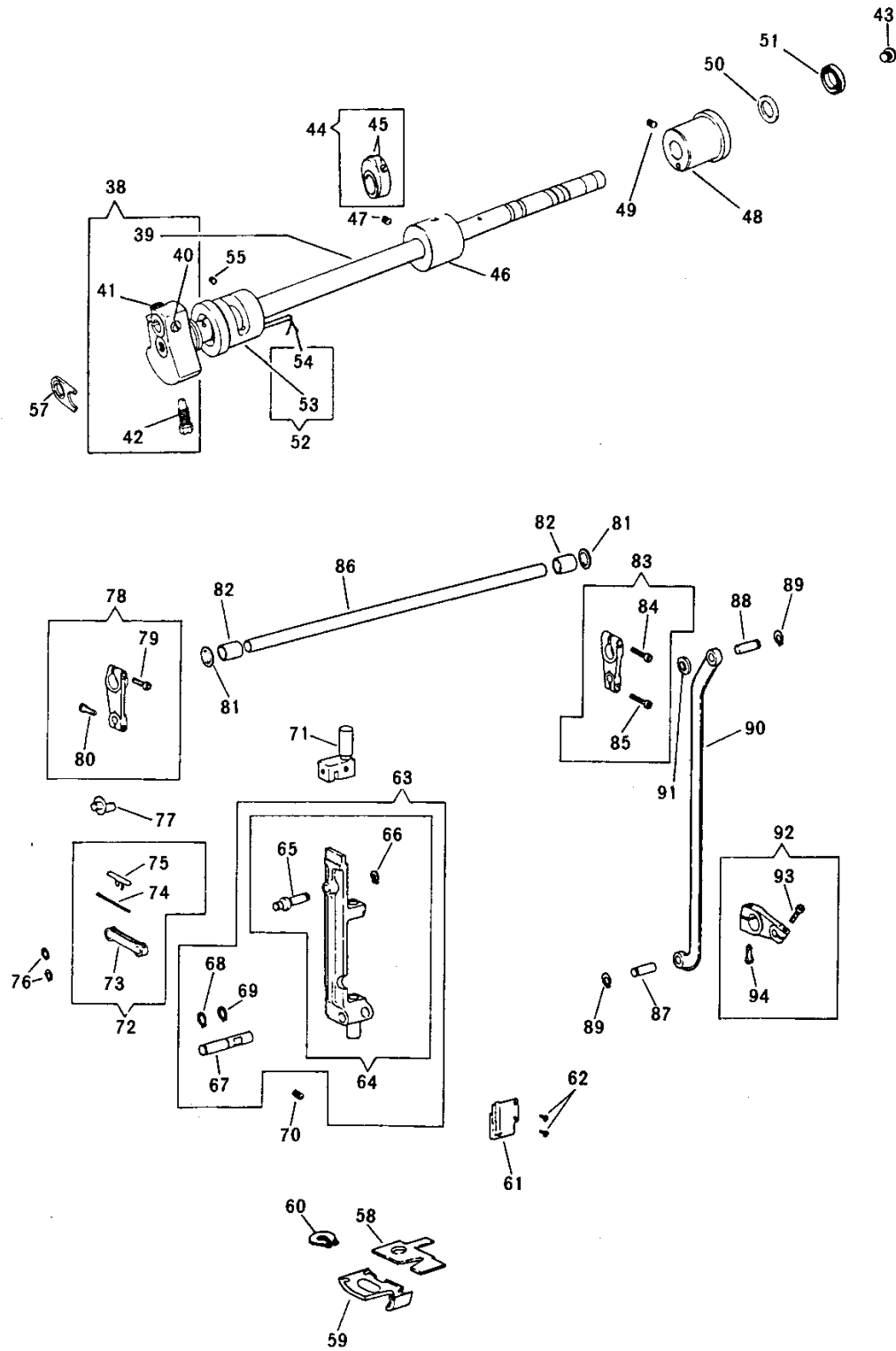
ARM SHAFT, NEEDLE BAR AND TAKE-UP LEVER







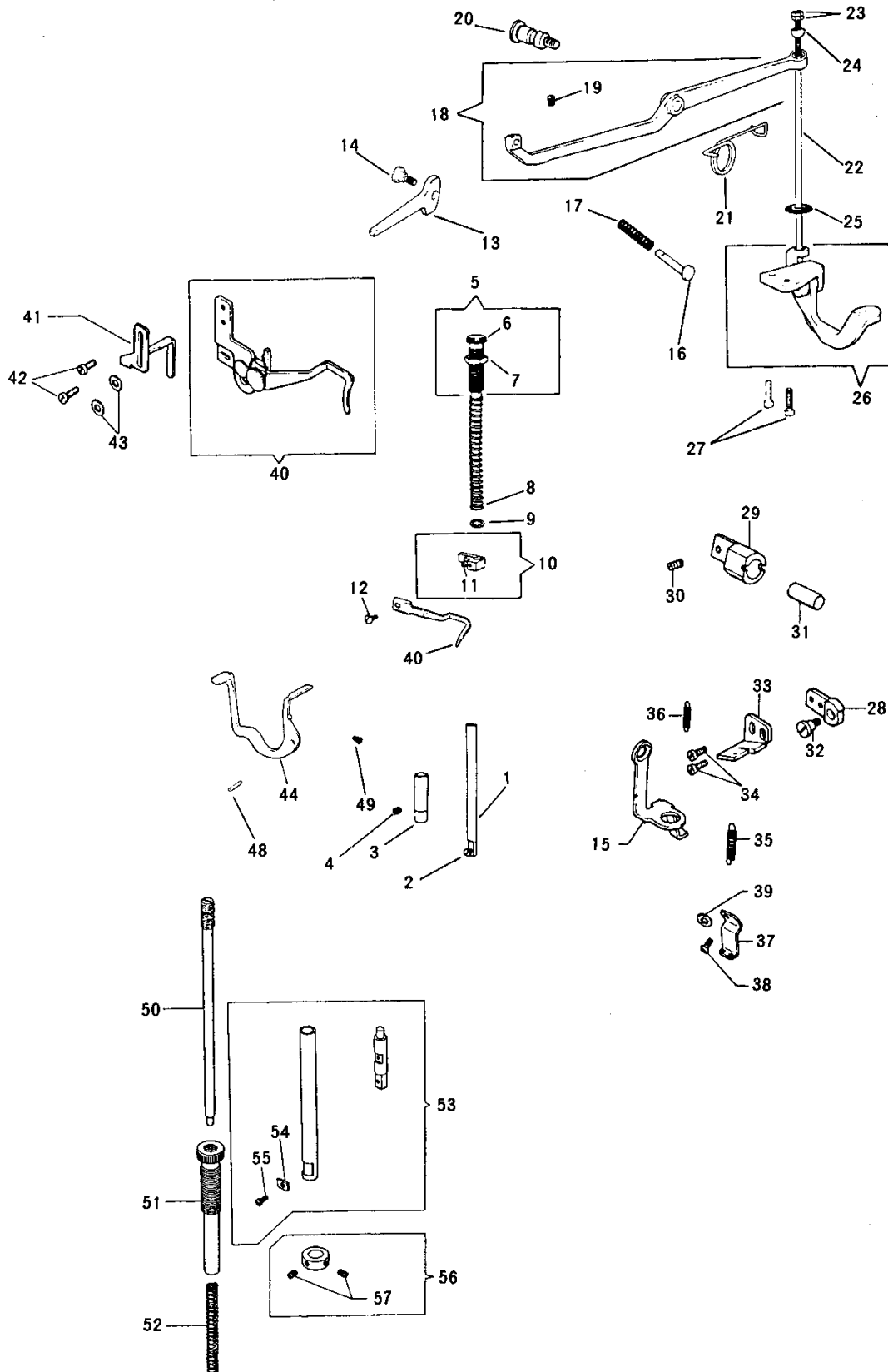
# ARM SHAFT, NEEDLE BAR AND TAKE-UP LEVER



591 MODEL														601 MODEL							
GROUP	VARIETY	GROUP	VARIETY	GROUP	VARIETY	GROUP	VARIETY	GROUP	VARIETY	GROUP	VARIETY	GROUP	VARIETY	GROUP	VARIETY	GROUP	VARIETY				
B	D203AD	E	D305AF	A	D240BD	F	D318BF	G	D300GD	H	C240AF	H	C240BD	H	C200GF	M	UX100AF	P	UX320CF	Q	D100AD
B	D203AF	F	D308AD	A	D240BF	A	D200GD	G	D300GF	I	C300AD	I	C240BF	H	C210GD	N	UX301AF			Q	D100AF
C	D205AD	F	D308AF	G	D300BD	A	D200GF	G	D310GD	I	C300AF	I	C300BD	H	C210GF	N	UX302AF			Q	D100BD
C	D205AF	A	D200BD	G	D300BF	A	D210GD	G	D310GF	J	C308AD	I	C300BF	H	C240GD	M	UX100BF			Q	D100BF
A	D240AD	A	D200BF	G	D310BD	A	D210GF	E	D315GD	J	C308AF	I	C310BD	H	C240GF	O	UX312BF			Q	D100GD
A	D240AF	A	D210BD	G	D310BF	C	D215GD	E	D315GF	H	C200BD	I	C310BF	L	C300GD	P	UX313BF			Q	D100GF
D	D303AD	A	D210BF	E	D315BD	C	D215GF	H	C200AD	H	C200BF	K	C318BD	L	C300GF	M	UX100GF				
D	D303AF	C	D215BD	E	D315BF	A	D240GD	H	C200AF	H	C210BD	K	C318BF	L	C310GD	A	UX220GF				
E	D305AD	C	D215BF	F	D318BD	A	D240GF	H	C240AD	H	C210BF	H	C200GD	L	C310GF	O	UX312GF				

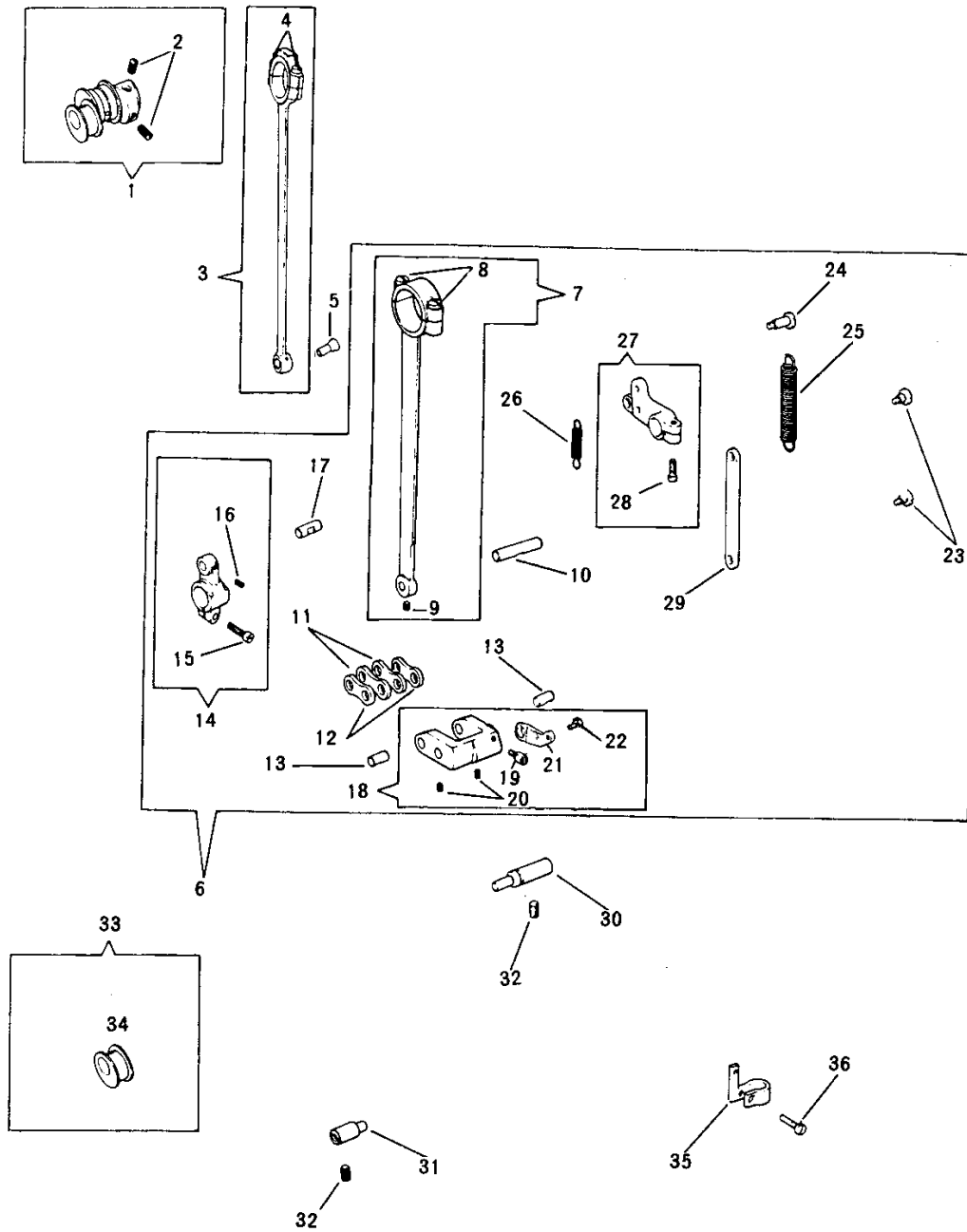
NO.	PART NO.	GROUP														DESCRIPTION					
		A	B	C	D	E	F	G	H	I	J	K	L	M	N		O	P	Q		
38	540606	*	*	*	*	*	*	*	*	*	*	*	*	*	*	*	*	*	*	*	Arm Shaft(horizontal) and Needle Bar Crank Complete
38	544805	*	*	*	*	*	*	*	*	*	*	*	*	*	*	*	*	*	*	*	Arm Shaft(horizontal) and Needle Bar Crank Complete
39	414296	*	*	*	*	*	*	*	*	*	*	*	*	*	*	*	*	*	*	*	Arm Shaft(horizontal) complete
40	504095	*	*	*	*	*	*	*	*	*	*	*	*	*	*	*	*	*	*	*	Thread Take-up Crank Set Screw
41	504117	*	*	*	*	*	*	*	*	*	*	*	*	*	*	*	*	*	*	*	Thread Take-up Crank Clamping Screw
42	374100	*	*	*	*	*	*	*	*	*	*	*	*	*	*	*	*	*	*	*	Needle Bar Crank Position Screw
43	549230	*	*	*	*	*	*	*	*	*	*	*	*	*	*	*	*	*	*	*	Arm Shaft(horizontal) Screw Plug(back)
44	540608	*	*	*	*	*	*	*	*	*	*	*	*	*	*	*	*	*	*	*	Arm Shaft(horizontal) Thrust Collar Complete
45	154781	*	*	*	*	*	*	*	*	*	*	*	*	*	*	*	*	*	*	*	Arm Shaft(horizontal) Thrust Collar Set Screw(2)
46	545758	*	*	*	*	*	*	*	*	*	*	*	*	*	*	*	*	*	*	*	Arm Shaft(horizontal) Bushing(center)
47	504002	*	*	*	*	*	*	*	*	*	*	*	*	*	*	*	*	*	*	*	Arm Shaft(horizontal) Flanged Bushing(back) Set Screw
48	540706	*	*	*	*	*	*	*	*	*	*	*	*	*	*	*	*	*	*	*	Arm Shaft(horizontal) Flanged Bushing(back)
49	504002	*	*	*	*	*	*	*	*	*	*	*	*	*	*	*	*	*	*	*	Arm Shaft(horizontal) Flanged Bushing(back) Set Screw
50	540708	*	*	*	*	*	*	*	*	*	*	*	*	*	*	*	*	*	*	*	Arm Shaft(horizontal) Flanged Bushing(back) Ring
51	540707	*	*	*	*	*	*	*	*	*	*	*	*	*	*	*	*	*	*	*	Arm Shaft(horizontal) Flanged Bushing(back) Oil Seal
52	540720	*	*	*	*	*	*	*	*	*	*	*	*	*	*	*	*	*	*	*	Arm Shaft(horizontal) Flanged Bushing(front) Complete
52	410833	*	*	*	*	*	*	*	*	*	*	*	*	*	*	*	*	*	*	*	Arm Shaft(horizontal) Flanged Bushing(front) Complete
53	540406	*	*	*	*	*	*	*	*	*	*	*	*	*	*	*	*	*	*	*	Arm Shaft(horizontal) Flanged Bushing(front) Oil Drain Tube
54	540722	*	*	*	*	*	*	*	*	*	*	*	*	*	*	*	*	*	*	*	Tape
55	504002	*	*	*	*	*	*	*	*	*	*	*	*	*	*	*	*	*	*	*	Arm Shaft(horizontal) Flanged Bushing(front) Set Screw
57	540476	*	*	*	*	*	*	*	*	*	*	*	*	*	*	*	*	*	*	*	Thread Take-up Crank Bearing Plate
58	410795	*	*	*	*	*	*	*	*	*	*	*	*	*	*	*	*	*	*	*	Needle Bar Frame Oil Retainer Pad
59	410796	*	*	*	*	*	*	*	*	*	*	*	*	*	*	*	*	*	*	*	Needle Bar Frame Oil Retainer
60	410797	*	*	*	*	*	*	*	*	*	*	*	*	*	*	*	*	*	*	*	Needle Bar Frame Oil Retainer Retaining Ring
61	410761	*	*	*	*	*	*	*	*	*	*	*	*	*	*	*	*	*	*	*	Thread Shield
62	504051	*	*	*	*	*	*	*	*	*	*	*	*	*	*	*	*	*	*	*	Thread Shield Screw(2)
63	410798	*	*	*	*	*	*	*	*	*	*	*	*	*	*	*	*	*	*	*	Needle Bar Frame Pivot Stud Ass'y
63	410826	*	*	*	*	*	*	*	*	*	*	*	*	*	*	*	*	*	*	*	Needle Bar Frame Pivot Stud Ass'y
63	410909	*	*	*	*	*	*	*	*	*	*	*	*	*	*	*	*	*	*	*	Needle Bar Frame Ass'y
64	410799	*	*	*	*	*	*	*	*	*	*	*	*	*	*	*	*	*	*	*	Needle Bar Frame Ass'y
64	410827	*	*	*	*	*	*	*	*	*	*	*	*	*	*	*	*	*	*	*	Needle Bar Frame Ass'y
64	410910	*	*	*	*	*	*	*	*	*	*	*	*	*	*	*	*	*	*	*	Needle Bar Frame Stud
65	410760	*	*	*	*	*	*	*	*	*	*	*	*	*	*	*	*	*	*	*	Needle Bar Frame Stud Retaining Ring
66	13288	*	*	*	*	*	*	*	*	*	*	*	*	*	*	*	*	*	*	*	Needle Bar Frame Pivot Stud
67	410735	*	*	*	*	*	*	*	*	*	*	*	*	*	*	*	*	*	*	*	Needle Bar Frame Pivot Stud Retaining Ring(front)
68	522571	*	*	*	*	*	*	*	*	*	*	*	*	*	*	*	*	*	*	*	Needle Bar Frame Pivot Stud Retaining Ring(back)
69	543827-001	*	*	*	*	*	*	*	*	*	*	*	*	*	*	*	*	*	*	*	Needle Bar Frame Pivot Stud Set Screw
70	544142	*	*	*	*	*	*	*	*	*	*	*	*	*	*	*	*	*	*	*	Needle Bar Frame Stabilizer
71	410802	*	*	*	*	*	*	*	*	*	*	*	*	*	*	*	*	*	*	*	Needle Bar Frame Connecting Link Ass'y
72	410803	*	*	*	*	*	*	*	*	*	*	*	*	*	*	*	*	*	*	*	Needle Bar Frame Connecting Link
73	410759	*	*	*	*	*	*	*	*	*	*	*	*	*	*	*	*	*	*	*	Needle Bar Frame Connecting Link Wick
74	410804	*	*	*	*	*	*	*	*	*	*	*	*	*	*	*	*	*	*	*	Needle Bar Frame Connecting Link Wick Retainer
75	410805	*	*	*	*	*	*	*	*	*	*	*	*	*	*	*	*	*	*	*	Needle Bar Frame Connecting Link Retaining Ring(2)
76	13288	*	*	*	*	*	*	*	*	*	*	*	*	*	*	*	*	*	*	*	Needle Bar Frame Eccentric Stud
77	410758	*	*	*	*	*	*	*	*	*	*	*	*	*	*	*	*	*	*	*	Needle Bar Frame Rocker Shaft Crank(left side) Complete
78	410756	*	*	*	*	*	*	*	*	*	*	*	*	*	*	*	*	*	*	*	Needle Bar Frame Rocker Shaft Crank(left side) Screw
79	350881-869	*	*	*	*	*	*	*	*	*	*	*	*	*	*	*	*	*	*	*	Needle Bar Frame Eccentric Stud Clamping Screw
80	414508	*	*	*	*	*	*	*	*	*	*	*	*	*	*	*	*	*	*	*	Needle Bar Frame Rock Shaft Thrust Bearing(2)
81	543828	*	*	*	*	*	*	*	*	*	*	*	*	*	*	*	*	*	*	*	Needle Bar Frame Rock Shaft Bushing(2)
82	410755	*	*	*	*	*	*	*	*	*	*	*	*	*	*	*	*	*	*	*	Needle Bar Frame Rock Shaft Crank(right side) Complete
83	410752	*	*	*	*	*	*	*	*	*	*	*	*	*	*	*	*	*	*	*	Needle Bar Frame Rock Shaft Crank(right side) Screw
84	350899-869	*	*	*	*	*	*	*	*	*	*	*	*	*	*	*	*	*	*	*	Needle Bar Frame Connecting Rod Pin Clamping Screw
85	350883-869	*	*	*	*	*	*	*	*	*	*	*	*	*	*	*	*	*	*	*	Needle Bar Frame Rocker Shaft
86	410754	*	*	*	*	*	*	*	*	*	*	*	*	*	*	*	*	*	*	*	Needle Bar Frame Connecting Rod Pin(lower)
87	410885	*	*	*	*	*	*	*	*	*	*	*	*	*	*	*	*	*	*	*	Needle Bar Frame Connecting Rod Pin(upper)
88	410750	*	*	*	*	*	*	*	*	*	*	*	*	*	*	*	*	*	*	*	Needle Bar Frame Connecting Rod Pin Retaining Ring(2)
89	13288	*	*	*	*	*	*	*	*	*	*	*	*	*	*	*	*	*	*	*	Needle Bar Frame Connecting Rod
90	414223	*	*	*	*	*	*	*	*	*	*	*	*	*	*	*	*	*	*	*	Needle Bar Frame Connecting Rod Collar
91	414224	*	*	*	*	*	*	*	*	*	*	*	*	*	*	*	*	*	*	*	Needle Bar Frame Connecting Rod Drive Crank Complete
92	410748	*	*	*	*	*	*	*	*	*	*	*	*	*	*	*	*	*	*	*	Needle Bar Frame Connecting Rod Pin Clamping Screw
93	350883-869	*	*	*	*	*	*	*	*	*	*	*	*	*	*	*	*	*	*	*	Needle Bar Frame Connecting Rod Drive Crank Screw
94	350899-869	*	*	*	*	*	*	*	*	*	*	*	*	*	*	*	*	*	*	*	

PRESSER BAR AND PRESSER FOOT





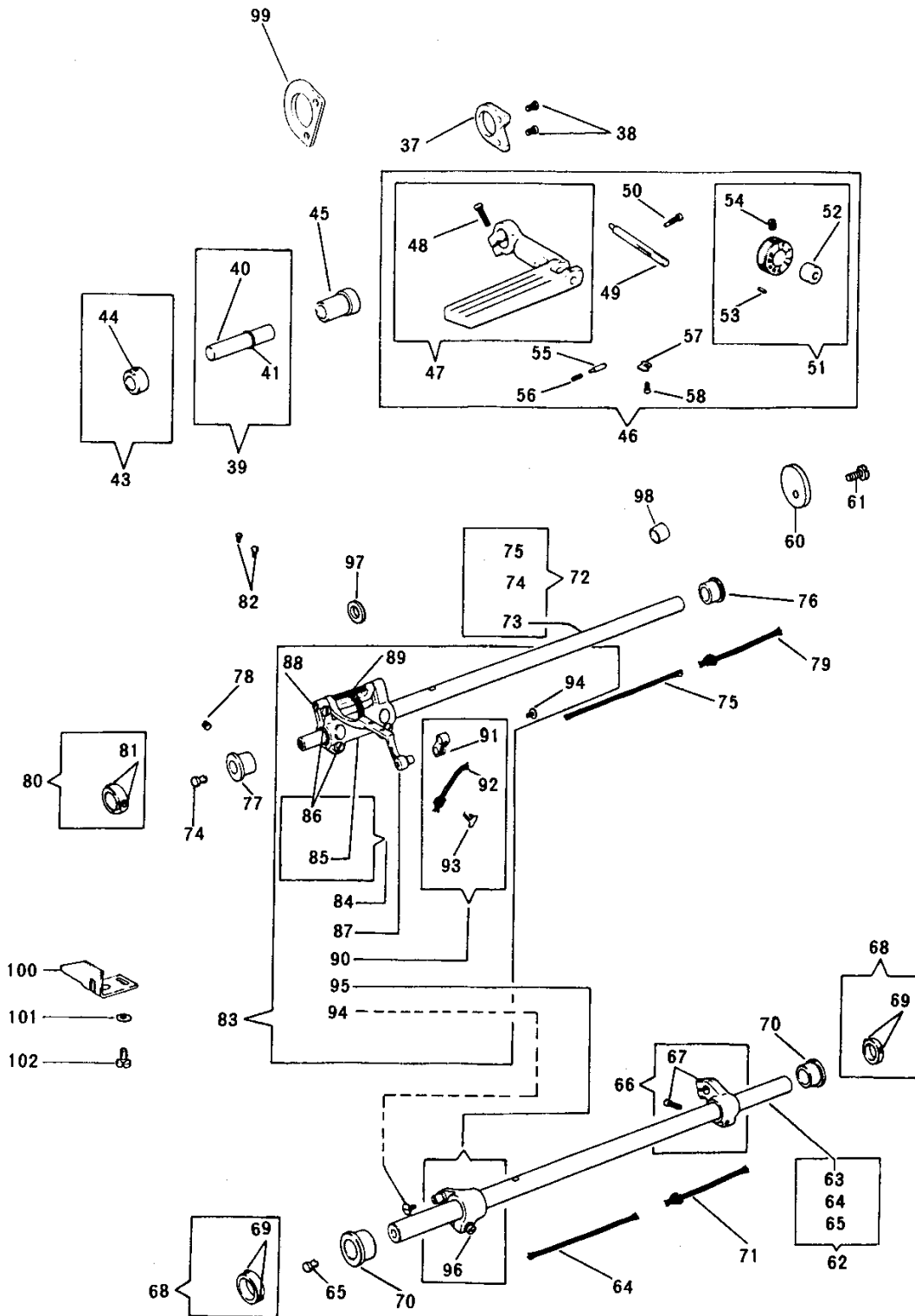
# FEED MECHANISM



591 MODEL															601 MODEL						
GROUP	VARIETY	GROUP	VARIETY	GROUP	VARIETY	GROUP	VARIETY	GROUP	VARIETY	GROUP	VARIETY	GROUP	VARIETY	GROUP	VARIETY	GROUP	VARIETY				
A	D203AD	B	D305AF	A	D240BD	C	D318BF	D	D300GD	E	C240AF	E	C240BF	G	C200GF	A	UX100AF	D	UX320GF	H	D100AD
A	D203AF	C	D308AD	A	D240BF	D	D200GD	D	D300GF	E	C300AD	E	C240BF	G	C210GD	B	UX301AF			H	D100AF
A	D205AD	C	D308AF	B	D300BD	D	D200GF	D	D310GD	E	C300AF	E	C300BD	G	C210GF	B	UX302AF			H	D100BD
A	D205AF	A	D200BD	B	D300BF	D	D210GD	D	D310GF	F	C308AD	E	C300BF	G	C240GD	A	UX100BF			H	D100BF
A	D240AD	A	D200BF	B	D310BD	D	D210GF	D	D315GD	F	C308AF	E	C310BD	G	C240GF	B	UX312BF			G	D100GD
A	D240AF	A	D210BD	B	D310BF	D	D215GD	D	D315GF	E	C200BD	E	C310BF	G	C300GD	B	UX313BF			G	D100CF
B	D303AD	A	D210BF	B	D315BD	D	D215GF	E	C200AD	E	C200BF	F	C318BD	G	C300GF	D	UX100GF				
B	D303AF	A	D215BD	B	D315BF	D	D240GD	E	C200AF	E	C210BD	F	C318BF	G	C310GD	D	UX220GF				
B	D305AD	A	D215BF	C	D318BD	D	D240GF	E	C240AD	E	C210BF	G	C200GD	G	C310GF	D	UX312GF				

NO.	PART NO.	GROUP								DESCRIPTION
		A	B	C	D	E	F	G	H	
1	410729	*	*	*	*	*	*	*		Feed and Feed Lifting Eccentric complete
1	543474	*	*	*	*	*	*	*		Feed and Feed Lifting Eccentric complete
2	545313	*	*	*	*	*	*	*		Feed and Feed Lifting Eccentric Set Screw (2)
3	545812	*	*	*	*	*	*	*		Feed Lifting Rock Shaft Crank(back) Connecting Rod Complete
3	543488	*	*	*	*	*	*	*		Feed Lifting Rock Shaft Crank(back) Connecting Rod Complete
4	545059	*	*	*	*	*	*	*		Feed Lifting Rock Shaft Crank(back) Connecting Rod Cap Screw
5	545799	*	*	*	*	*	*	*		Feed Lifting Rock Shaft Crank(back) Connecting Rod Hinge Stud
6	540645	*	*	*	*	*	*	*		Feed Rock Shaft Driving Frame Complete
6	543407	*	*	*	*	*	*	*		Feed Rock Shaft Driving Frame Complete
6	414415	*	*	*	*	*	*	*		Feed Rock Shaft Driving Frame Complete
6	414240	*	*	*	*	*	*	*		Feed Rock Shaft Driving Frame Complete
6	414011	*	*	*	*	*	*	*		Feed Rock Shaft Driving Frame Complete
6	414411	*	*	*	*	*	*	*		Feed Rock Shaft Driving Frame Complete
6	410736	*	*	*	*	*	*	*		Feed Rock Shaft Driving Frame Complete
7	540648	*	*	*	*	*	*	*		Feed Rock Shaft Crank Connecting Rod Complete
7	414176	*	*	*	*	*	*	*		Feed Rock Shaft Crank Connecting Rod Complete
8	545059	*	*	*	*	*	*	*		Feed Rock Shaft Crank Connecting Rod Cap Screw (2)
9	545181	*	*	*	*	*	*	*		Feed Rock Shaft Crank Connecting Rod Pin Set Screw
10	540649	*	*	*	*	*	*	*		Feed Rock Shaft Crank Connecting Rod Pin
10	410737	*	*	*	*	*	*	*		Feed Rock Shaft Crank Connecting Rod Pin
11	540655	*	*	*	*	*	*	*		Feed Rock Shaft Driving Link (large) (2)
11	410738	*	*	*	*	*	*	*		Feed Rock Shaft Driving Link (large) (2)
12	540656	*	*	*	*	*	*	*		Feed Rock Shaft Driving Link (small) (2)
12	410739	*	*	*	*	*	*	*		Feed Rock Shaft Driving Link (small) (2)
13	540657	*	*	*	*	*	*	*		Feed Rock Shaft Driving Link (small) Pin (2)
13	410740	*	*	*	*	*	*	*		Feed Rock Shaft Driving Link (small) Pin (2)
14	540644	*	*	*	*	*	*	*		Feed Rock Shaft Crank Complete
14	543404	*	*	*	*	*	*	*		Feed Rock Shaft Crank Complete
14	414012	*	*	*	*	*	*	*		Feed Rock Shaft Crank Complete
15	549183	*	*	*	*	*	*	*		Feed Rock Shaft Crank Clamping Screw
16	545181	*	*	*	*	*	*	*		Feed Rock Shaft Crank Pin Set Screw
17	540650	*	*	*	*	*	*	*		Feed Rock Shaft Crank Pin
17	410741	*	*	*	*	*	*	*		Feed Rock Shaft Crank Pin
18	540652	*	*	*	*	*	*	*		Feed Rock Shaft Driving Frame Complete
18	543406	*	*	*	*	*	*	*		Feed Rock Shaft Driving Frame Complete
18	544868	*	*	*	*	*	*	*		Feed Rock Shaft Driving Frame Complete
18	414014	*	*	*	*	*	*	*		Feed Rock Shaft Driving Frame Complete
18	410742	*	*	*	*	*	*	*		Feed Rock Shaft Driving Frame Complete
18	410994	*	*	*	*	*	*	*		Feed Rock Shaft Driving Frame Complete
19	545264	*	*	*	*	*	*	*		Feed Rock Shaft Driving Frame Spring Stud
19	544138	*	*	*	*	*	*	*		Feed Rock Shaft Driving Frame Spring Stud
20	545072	*	*	*	*	*	*	*		Feed Rock Shaft Driving Link (small) Pin Set Screw (2)
21	410807	*	*	*	*	*	*	*		Feed Rock Shaft Driving Frame Extension Arm Screw
21	410980	*	*	*	*	*	*	*		Feed Rock Shaft Driving Frame Extension Arm Screw
22	545289	*	*	*	*	*	*	*		Feed Rock Shaft Driving Frame Spring Stud
23	549288	*	*	*	*	*	*	*		Feed Reverse Lever Hinge Stud Crank Connecting Link Screw (2)
24	544156	*	*	*	*	*	*	*		Feed Reverse Lever Spring Screw
24	544394	*	*	*	*	*	*	*		Feed Reverse Lever Spring Screw
25	540639	*	*	*	*	*	*	*		Feed Reverse Lever Spring
26	548091	*	*	*	*	*	*	*		Feed Rock Shaft Driving Frame Pull Back Spring
27	540635	*	*	*	*	*	*	*		Feed Reverse Lever Hinge Stud Crank Complete
27	414416	*	*	*	*	*	*	*		Feed Reverse Lever Hinge Stud Crank Complete
27	410809	*	*	*	*	*	*	*		Feed Reverse Lever Hinge Stud Crank Complete
27	414412	*	*	*	*	*	*	*		Feed Reverse Lever Hinge Stud Crank Complete
28	414737	*	*	*	*	*	*	*		Feed Reverse Lever Hinge Stud Crank Clamping Screw
28	549028	*	*	*	*	*	*	*		Feed Reverse Lever Hinge Stud Crank Clamping Screw
29	540636	*	*	*	*	*	*	*		Feed Reverse Lever Hinge Stud Crank Connecting Link
29	543438	*	*	*	*	*	*	*		Feed Reverse Lever Hinge Stud Crank Connecting Link
29	410808	*	*	*	*	*	*	*		Feed Reverse Lever Hinge Stud Crank Connecting Link
29	414307	*	*	*	*	*	*	*		Feed Reverse Lever Hinge Stud Crank Connecting Link
30	540653	*	*	*	*	*	*	*		Feed Rock Shaft Driving Frame Hinge Pin (back)
30	410745	*	*	*	*	*	*	*		Feed Rock Shaft Driving Frame Hinge Pin (back)
31	410746	*	*	*	*	*	*	*		Feed Rock Shaft Driving Frame Hinge Pin (front)
32	504029	*	*	*	*	*	*	*		Feed Rock Shaft Driving Frame Hinge Pin Set Screw (2)
33	543472	*	*	*	*	*	*	*		Feed Eccentric Complete
34	504048	*	*	*	*	*	*	*		Feed Eccentric Set Screw
35	540641	*	*	*	*	*	*	*		Feed Reverse Lever Spring Retainer
35	410981	*	*	*	*	*	*	*		Feed Reverse Lever Spring Retainer
36	545183	*	*	*	*	*	*	*		Feed Reverse Lever Spring Retainer Screw

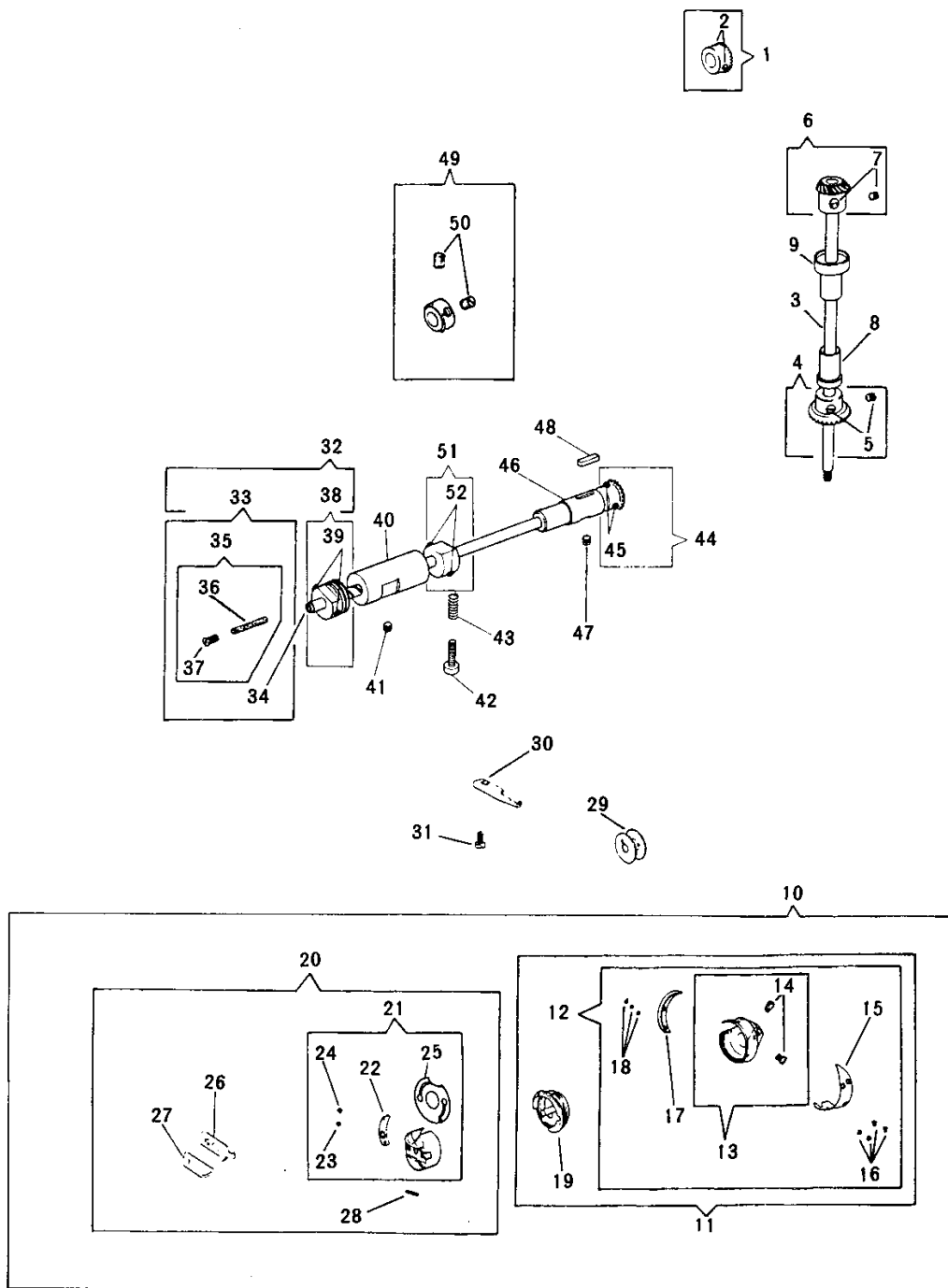
# FEED MECHANISM







# UPRIGHT SHAFT AND HOOK DRIVING SHAFT

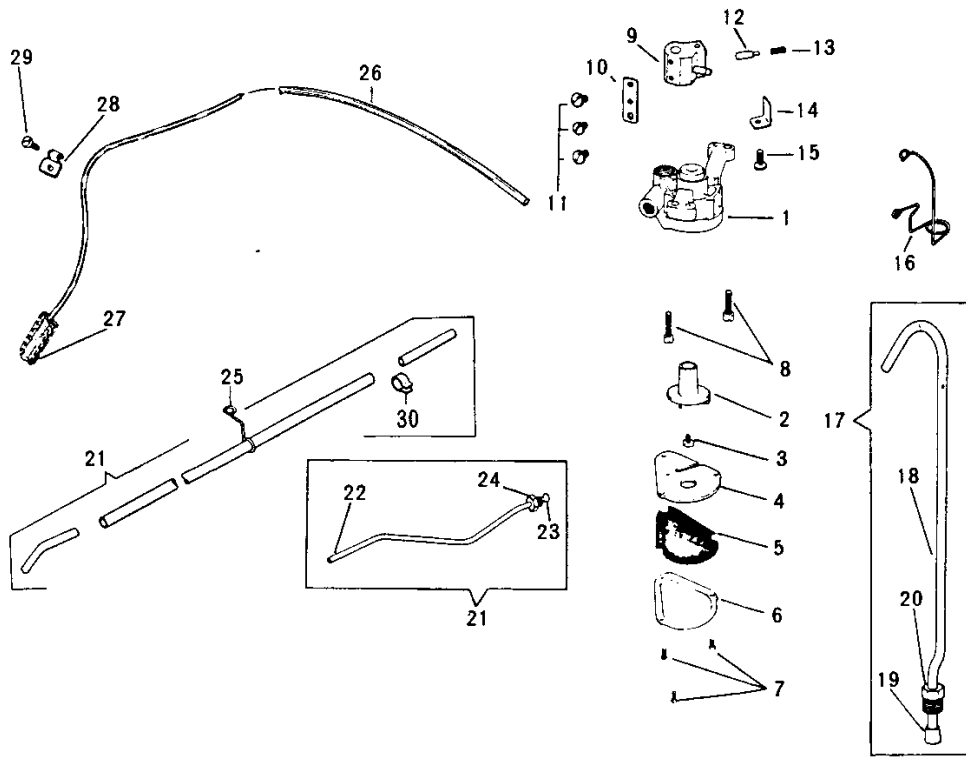


NO.	PART NO.	GROUP											DESCRIPTION
		A	B	C	D	E	F	G	H	I	J	K	
47	504002	*	*	*	*	*	*	*	*	*	*	*	Rotating Hook Shaft Bushing(back) Set Screw
48	544957	*	*	*	*	*	*	*	*	*	*	*	Rotating Hook Shaft Bushing(back) Oil Felt
49	543910	*	*	*	*	*	*	*	*	*	*	*	Rotating Hook Shaft Collar(back)
50	504102	*	*	*	*	*	*	*	*	*	*	*	Rotating Hook Shaft Collar(back) Set Screw(2)
51	376219	*	*	*	*	*	*	*	*	*	*	*	Rotating Hook Shaft Balance Complete
52	504134	*	*	*	*	*	*	*	*	*	*	*	Rotating Hook Shaft Balance Set Screw(2)

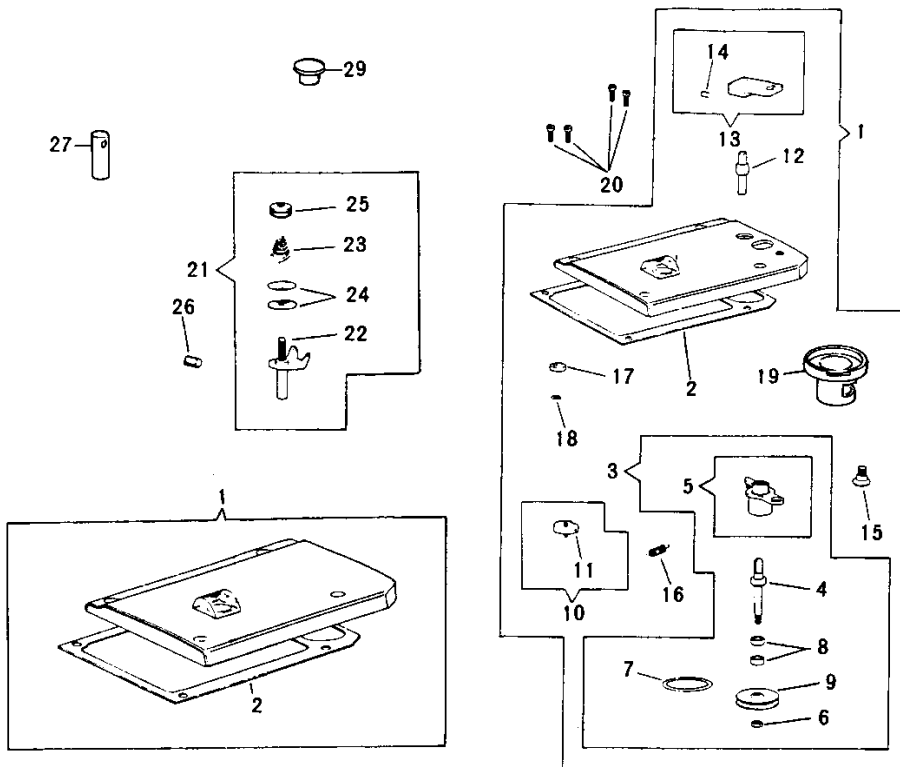
591 MODEL														601 MODEL							
GROUP	VARIETY	GROUP	VARIETY	GROUP	VARIETY	GROUP	VARIETY	GROUP	VARIETY	GROUP	VARIETY	GROUP	VARIETY	GROUP	VARIETY	GROUP	VARIETY				
A	D203AD	A	D305AF	C	D240BD	E	D318BF	C	D300GD	F	C240AF	H	C240BD	H	C200GF	A	UX100AF	C	UX320GF	J	D100AD
A	D203AF	B	D308AD	C	D240BF	C	D200GD	C	D300GF	F	C300AD	H	C240BF	H	C210GD	A	UX301AF			J	D100AF
A	D205AD	B	D308AF	C	D300BD	C	D200GF	C	D310GD	F	C300AF	H	C300BD	H	C210GF	A	UX302AF			K	D100BD
A	D205AF	C	D200BD	C	D300BF	C	D210GD	C	D310GF	G	C308AD	H	C300BF	H	C240GD	C	UX100BF			K	D100BF
A	D240AD	C	D200BF	C	D310BD	C	D210GF	D	D315GD	G	C308AF	H	C310BD	H	C240GF	C	UX312BF			K	D100GD
A	D240AF	C	D210BD	C	D310BF	D	D215GD	D	D315GF	H	C200BD	H	C310BF	H	C300GD	C	UX313BF			K	D100GF
A	D303AD	C	D210BF	D	D315BD	D	D215GF	F	C200AD	H	C200BF	I	C318BD	H	C300GF	C	UX100GF				
A	D303AF	D	D215BD	D	D315BF	C	D240GD	F	C200AF	H	C210BD	I	C318BF	H	C310GD	C	UX220GF				
A	D305AD	D	D215BF	E	D318BD	C	D240GF	F	C240AD	H	C210BF	H	C200GD	H	C310GF	C	UX312GF				

NO.	PART NO.	GROUP										DESCRIPTION	
		A	B	C	D	E	F	G	H	I	J		K
1	545757	*	*	*	*	*	*	*	*	*	*	*	Arm Shaft(horizontal) Bevel Gear Complete
2	504066	*	*	*	*	*	*	*	*	*	*	*	Arm Shaft(horizontal) Bevel Gear Set Screw(2)
3	540551	*	*	*	*	*	*	*	*	*	*	*	Arm Shaft(uptight)
4	545764	*	*	*	*	*	*	*	*	*	*	*	Arm Shaft(uptight) Bevel Gear(lower) Right Hand Spiral
5	504101	*	*	*	*	*	*	*	*	*	*	*	Arm Shaft(uptight) Bevel Gear(lower) Set Screw(2)
6	545765	*	*	*	*	*	*	*	*	*	*	*	Arm Shaft(uptight) Bevel Gear(upper) Left Hand Spiral
7	504101	*	*	*	*	*	*	*	*	*	*	*	Arm Shaft(uptight) Bevel Gear(upper) Set Screw(2)
8	545766	*	*	*	*	*	*	*	*	*	*	*	Arm Shaft(uptight) Bushing(lower)
9	545767	*	*	*	*	*	*	*	*	*	*	*	Arm Shaft(uptight) Bushing(upper)
10	414139	*											Rotating Hook, Rotating Hook Bobbin Case Holder and Rotating Hook Bobbin Case Complete
10	544755	*											Rotating Hook, Rotating Hook Bobbin Case Holder and Rotating Hook Bobbin Case Complete
10	414256				*								Rotating Hook, Rotating Hook Bobbin Case Holder and Rotating Hook Bobbin Case Complete
10	414020					*							Rotating Hook, Rotating Hook Bobbin Case Holder and Rotating Hook Bobbin Case Complete
10	414069						*						Rotating Hook, Rotating Hook Bobbin Case Holder and Rotating Hook Bobbin Case Complete
11	414126	*											Rotating Hook & Rotating Hook Bobbin Case Holder Complete
11	543381	*	*		*	*							Rotating Hook & Rotating Hook Bobbin Case Holder Complete
11	544784	*	*	*	*	*							Rotating Hook & Rotating Hook Bobbin Case Holder Complete
11	414070	*	*	*	*	*	*	*	*	*	*	*	Rotating Hook & Rotating Hook Bobbin Case Holder Complete
11	414430	*	*	*	*	*	*	*	*	*	*	*	Rotating Hook & Rotating Hook Bobbin Case Holder Complete
12	545951	*											Rotating Hook Complete
12	544756	*	*		*	*							Rotating Hook Complete
12	410776	*	*	*	*	*							Rotating Hook Complete
12	414071	*	*	*	*	*	*	*	*	*	*	*	Rotating Hook Complete
12	414436	*	*	*	*	*	*	*	*	*	*	*	Rotating Hook Complete
13	545950	*											Rotating Hook (body) Complete
13	544757	*	*		*	*							Rotating Hook (body) Complete
13	410777	*	*	*	*	*	*	*	*	*	*	*	Rotating Hook (body) Complete
13	414072	*	*	*	*	*	*	*	*	*	*	*	Rotating Hook (body) Complete
13	414437	*	*	*	*	*	*	*	*	*	*	*	Rotating Hook (body) Complete
14	544244	*	*	*	*	*	*	*	*	*	*	*	Rotating Hook Screw(2)
15	544955	*											Rotating Hook Thread Guard
15	544759	*	*		*	*							Rotating Hook Thread Guard
15	410779	*	*	*	*	*	*	*	*	*	*	*	Rotating Hook Thread Guard
16	549186	*	*	*	*	*	*	*	*	*	*	*	Rotating Hook Thread Guard Screw
17	545954	*											Rotating Hook Section
17	544760	*	*		*	*							Rotating Hook Section
17	410780	*	*	*	*	*	*	*	*	*	*	*	Rotating Hook Section
18	549187	*	*	*	*	*	*	*	*	*	*	*	Rotating Hook Section Screw(3)
19	414127	*											Rotating Hook Bobbin Case Holder
19	544761	*	*		*	*							Rotating Hook Bobbin Case Holder
19	544785	*	*	*	*	*							Rotating Hook Bobbin Case Holder
19	414074	*	*	*	*	*	*	*	*	*	*	*	Rotating Hook Bobbin Case Holder
19	414431	*	*	*	*	*	*	*	*	*	*	*	Rotating Hook Bobbin Case Holder
20	544745	*	*		*	*							Rotating Hook Bobbin Case Complete
20	540735	*	*	*	*	*	*	*	*	*	*	*	Rotating Hook Bobbin Case Complete
20	544783	*	*	*	*	*	*	*	*	*	*	*	Rotating Hook Bobbin Case Complete
21	544746	*	*		*	*							Rotating Hook Bobbin Case
21	544753	*	*	*	*	*	*	*	*	*	*	*	Rotating Hook Bobbin Case
21	544787	*	*	*	*	*	*	*	*	*	*	*	Rotating Hook Bobbin Case
22	540767	*	*	*	*	*	*	*	*	*	*	*	Rotating Hook Bobbin Case Tension Spring
23	504087	*	*	*	*	*	*	*	*	*	*	*	Rotating Hook Bobbin Case Tension Spring Screw
24	504086	*	*	*	*	*	*	*	*	*	*	*	Rotating Hook Bobbin Case Tension Regulating Screw
25	544808	*	*	*	*	*	*	*	*	*	*	*	Anti-Spill Spring
26	410026	*	*	*	*	*	*	*	*	*	*	*	Rotating Hook Bobbin Case Latch
27	410027	*	*	*	*	*	*	*	*	*	*	*	Rotating Hook Bobbin Case Latch Lever
28	505356	*	*	*	*	*	*	*	*	*	*	*	Rotating Hook Bobbin Case Latch Spring
29	55623	*	*	*	*	*	*	*	*	*	*	*	Rotating Hook Bobbin
29	272152	*	*	*	*	*	*	*	*	*	*	*	Rotating Hook Bobbin
30	545881	*	*	*	*	*	*	*	*	*	*	*	Rotating Hook Bobbin Case Holder Position Bracket
31	504084	*	*	*	*	*	*	*	*	*	*	*	Rotating Hook Bobbin Case Holder Position Bracket Screw
32	376241	*	*	*	*	*	*	*	*	*	*	*	Rotating Hook Shaft and Collar
33	368384	*	*	*	*	*	*	*	*	*	*	*	Rotating Hook Shaft Complete
34	368385	*	*	*	*	*	*	*	*	*	*	*	Rotating Hook Shaft
35	505648	*	*	*	*	*	*	*	*	*	*	*	Rotating Hook Shaft Oil Filter Complete
36	143042	*	*	*	*	*	*	*	*	*	*	*	Rotating Hook Shaft Oil Filter Wick(felt)
37	505647	*	*	*	*	*	*	*	*	*	*	*	Rotating Hook Shaft Oil Filter Wick Holder
38	376218	*	*	*	*	*	*	*	*	*	*	*	Rotating Hook Shaft Oil Retaining Collar Complete
39	504134	*	*	*	*	*	*	*	*	*	*	*	Rotating Hook Shaft Oil Retaining Collar Set Screw 2
40	544954	*	*	*	*	*	*	*	*	*	*	*	Rotating Hook Shaft Bushing(front)
41	504002	*	*	*	*	*	*	*	*	*	*	*	Rotating Hook Shaft Bushing(front) Set Screw
42	544246	*	*	*	*	*	*	*	*	*	*	*	Rotating Hook Oil Flow Regulating Thumb Screw
43	544958	*	*	*	*	*	*	*	*	*	*	*	Rotating Hook Oil Flow Regulating Thumb Screw Spring
44	545887	*	*	*	*	*	*	*	*	*	*	*	Rotating Hook Shaft Bevel Gear(left hand spiral comp)
45	504101	*	*	*	*	*	*	*	*	*	*	*	Rotating Hook Shaft Bevel Gear Set Screw(2)
46	544956	*	*	*	*	*	*	*	*	*	*	*	Rotating Hook Shaft Bushing(back)

LUBRICATING SYSTEM



ARM TOP COVER AND BUILT-IN BOBBIN WINDER



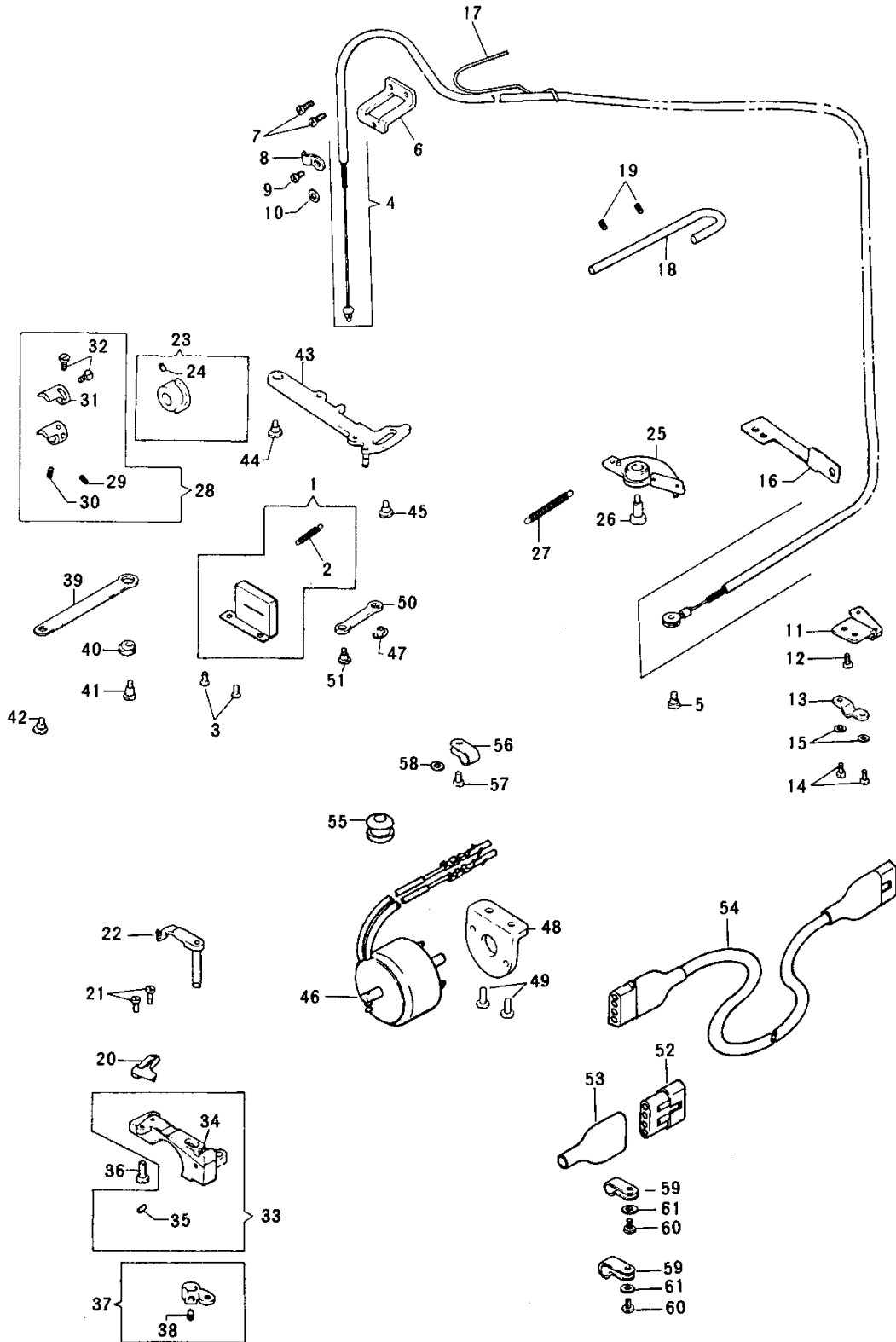
591 MODEL															601 MODEL						
GROUP	VARIETY	GROUP	VARIETY	GROUP	VARIETY	GROUP	VARIETY	GROUP	VARIETY	GROUP	VARIETY	GROUP	VARIETY	GROUP	VARIETY	GROUP	VARIETY				
A	D203AD	A	D305AF	B	D240BD	B	D318BF	C	D300GD	A	C240AF	B	C240BD	C	C200GF	A	UX100AF	C	UX320GF	A	D100AD
A	D203AF	A	D308AD	B	D240BF	C	D200GD	C	D300GF	A	C300AD	B	C240BF	C	C210GD	A	UX301AF			A	D100AF
A	D205AD	A	D308AF	B	D300BD	C	D200GF	C	D310GD	A	C300AF	B	C300BD	C	C210GF	A	UX302AF			A	D100BD
A	D205AF	B	D200BD	B	D300BF	C	D210GD	C	D310GF	A	C308AD	B	C300BF	C	C240GD	B	UX100BF			A	D100BF
A	D240AD	B	D200BF	B	D310BD	C	D210GF	C	D315GD	A	C308AF	B	C310BD	C	C240GF	B	UX312BF			C	D100GD
A	D240AF	B	D210BD	B	D310BF	C	D215GD	C	D315GF	B	C200BD	B	C310BF	C	C300GD	B	UX313BF			C	D100GF
A	D303AD	B	D210BF	B	D315BD	C	D215GF	A	C200AD	B	C200BF	B	C318BD	C	C300GF	C	UX100GF				
A	D303AF	B	D215BD	B	D315BF	C	D240GD	A	C200AF	B	C210BD	B	C318BF	C	C310GD	C	UX220GF				
A	D305AD	B	D215BF	B	D318BD	C	D240GF	A	C240AD	B	C210BF	C	C200GD	C	C310GF	C	UX312GF				

NO.	PART NO.	GROUP			DESCRIPTION
		A	B	C	
1	543493	*	*	*	Oil Pump(centrifugal)
2	545856	*	*	*	Oil Pump(centrifugal) Impeller
3	545049	*	*	*	Oil Pump(centrifugal) Impeller Locking Screw
4	545855	*	*	*	Oil Pump(centrifugal) Cover
5	545857	*	*	*	Oil Pump(centrifugal) Screen
6	545858	*	*	*	Oil Pump(centrifugal) Screen Frame
6	543446	*	*	*	Oil Pump(centrifugal) Screen Frame
7	545050	*	*	*	Oil Pump(centrifugal) Screen Frame Screw(3)
8	504071	*	*	*	Oil Pump(centrifugal)(body) Screw(2)
9	540553	*	*	*	Oil Removing Pump(body)
10	540555	*	*	*	Oil Removing Pump Bracket
11	545239	*	*	*	Oil Removing Pump Bracket Set Screw(3)
12	540556	*	*	*	Oil Removing Pump Piston
13	540625	*	*	*	Oil Removing Pump Piston Spring
14	540557	*	*	*	Oil Removing Pump Piston Spring Bracket
15	504010-451	*	*	*	Oil Removing Pump Piston Spring Bracket Screw
16	540714	*	*	*	Oil Removing Tube Retaining Spring
17	410721	*	*	*	Oil Pipe Complete
18	410722	*	*	*	Oil Pipe
19	545846	*	*	*	Oil Pipe Clamping Sleeve
20	545847	*	*	*	Oil Pipe Clamping Sleeve Nut
21	545852	*	*	*	Oil Pipe Complete
21	414220	*	*	*	Oil Tube(cpl)
22	545845	*	*	*	Oil Pipe
23	545849	*	*	*	Oil Pipe Clamping Sleeve
24	540719	*	*	*	Oil Pipe Clamping Sleeve Nut
25	543335	*	*	*	Oil Tube Holder
26	540561	*	*	*	Oil Removing Tube
27	16380	*	*	*	Oil Removing Lint Screen
28	543371	*	*	*	Oil Removing Tube Retaining Clamp
29	504145	*	*	*	Oil Removing Tube Retaining Clamp Screw
30	543334	*	*	*	Oil Tube Clamp

591 MODEL															601 MODEL						
GROUP	VARIETY	GROUP	VARIETY	GROUP	VARIETY	GROUP	VARIETY	GROUP	VARIETY	GROUP	VARIETY	GROUP	VARIETY	GROUP	VARIETY	GROUP	VARIETY				
A	D203AD	B	D305AF	A	D240BD	B	D318BF	A	D300GD	B	C240AF	A	C240BD	B	C200GF	B	UX100AF	B	UX320GF	A	D100AD
B	D203AF	A	D308AD	B	D240BF	A	D200GD	B	D300GF	A	C300AD	B	C240BF	A	C210GD	B	UX301AF			B	D100AF
A	D205AD	B	D308AF	A	D300BD	B	D200GF	A	D310GD	B	C300AF	A	C300BD	B	C210GF	B	UX302AF			A	D100BD
B	D205AF	A	D200BD	B	D300BF	A	D210GD	B	D310GF	A	C308AD	B	C300BF	A	C240GD	B	UX100BF			B	D100BF
A	D240AD	B	D200BF	A	D310BD	B	D210GF	A	D315GD	B	C308AF	A	C310BD	B	C240GF	B	UX312BF			A	D100GD
B	D240AF	A	D210BD	B	D310BF	A	D215GD	B	D315GF	A	C200BD	B	C310BF	A	C300GD	B	UX313BF			B	D100GF
A	D303AD	B	D210BF	A	D315BD	B	D215GF	A	C200AD	B	C200BF	A	C318BD	B	C300GF	B	UX100GF				
B	D303AF	A	D215BD	B	D315BF	A	D240GD	B	C200AF	A	C210BD	B	C318BF	A	C310GD	B	UX220GF				
A	D305AD	B	D215BF	A	D318BD	B	D240GF	A	C240AD	B	C210BF	A	C200GD	B	C310GF	B	UX312GF				

NO.	PART NO.	GROUP		DESCRIPTION
		A	B	
1	414313	*	*	Arm Top Cover and Bobbin Winder Complete
1	414242	*	*	Arm Top Cover Complete
2	410713	*	*	Arm Top Cover Gasket
3	414317	*	*	Bobbin Winder Complete
4	414314	*	*	Bobbin Winder Spindle
5	410883	*	*	Bobbin Winder Bearing Housing Complete
6	541171	*	*	Bobbin Winder Pulley Lock Nut
7	544857	*	*	Bobbin Winder Pulley Ring(rubber)
8	544853	*	*	Bobbin Winder Bearing(2)
9	544856	*	*	Bobbin Winder Pulley
10	544859	*	*	Bobbin Winder Actuating Cam Complete
11	544207-002	*	*	Bobbin Winder Actuating Cam Set Screw
12	544862	*	*	Bobbin Winder Actuating Cam Stud
13	544863	*	*	Bobbin Winder Stop Latch Complete
14	544212 002	*	*	Bobbin Winder Stop Latch Set Screw
15	544213	*	*	Bobbin Winder Bracket Screw Stud
16	544865	*	*	Bobbin Winder Spring
17	544866	*	*	Bobbin Winder Stopper
18	543835 001	*	*	Bobbin Winder Stopper Snap Ring
19	414318	*	*	Bobbin Winder Spindle Thread Guard
20	504099	*	*	Arm Top Cover Screw(4)
21	547242	*	*	Bobbin Winder Tension Complete
22	547243	*	*	Bobbin Winder Tension Stud Complete
23	547246	*	*	Bobbin Winder Tension Spring
24	547247	*	*	Bobbin Winder Tension Disc(2)
25	541170	*	*	Bobbin Winder Tension Nut
26	544204-001	*	*	Bobbin Winder Tension Set Screw
27	508562	*	*	Thread Guide Stud
29	414245	*	*	Bobbin Winder Tension Hole Plug

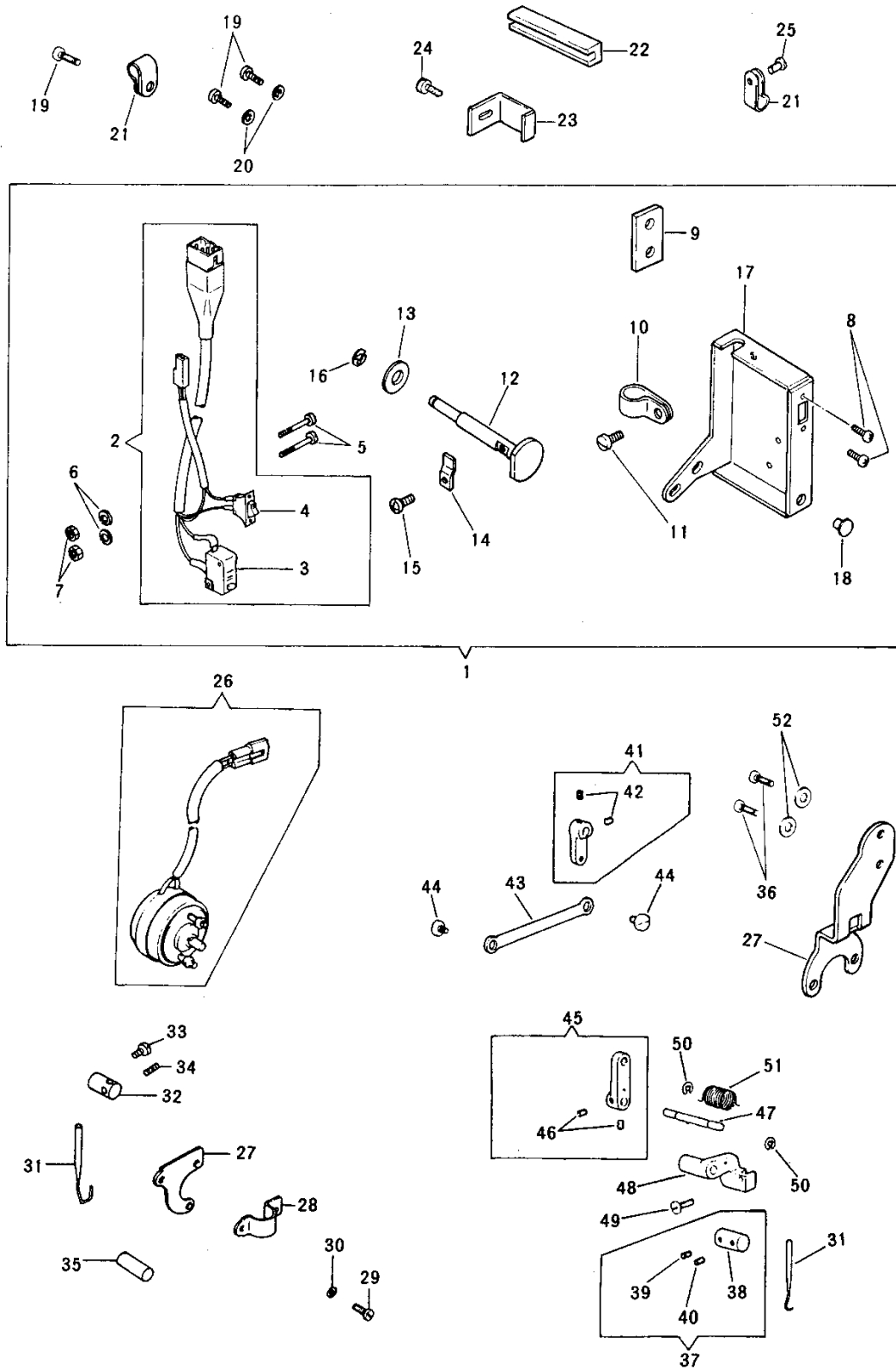
THREAD TRIMMER AND TENSION RELEASE MECHANISM



591 MODEL															601 MODEL						
GROUP	VARIETY	GROUP	VARIETY	GROUP	VARIETY	GROUP	VARIETY	GROUP	VARIETY	GROUP	VARIETY	GROUP	VARIETY	GROUP	VARIETY	GROUP	VARIETY				
	D203AD		D305AF	A	D240BD	A	D318BF	C	D300GD		C240AF	E	C240BD	G	C200GF	UX100AF	C	UX320GF		D100AD	
	D203AF		D308AD	A	D240BF	C	D200GD	C	D300GF		C300AD	E	C240BF	G	C210GD	UX301AF					D100AF
	D205AD		D308AF	A	D300BD	C	D200GF	C	D310GD		C300AF	E	C300BD	G	C210GF	UX302AF					D100BD
	D205AF	A	D200BD	A	D300BF	C	D210GD	C	D310GF		C308AD	E	C300BF	G	C240GD	A	UX100BF				D100BF
	D240AD	A	D200BF	A	D310BD	C	D210GF	D	D315GD		C308AF	E	C310BD	G	C240GF	A	UX312BF				D100GD
	D240AF	A	D210BD	A	D310BF	D	D215GD	D	D315GF	E	C200BD	E	C310BF	G	C300GD	A	UX313BF				D100GF
	D303AD	A	D210BF	B	D315BD	D	D215GF		C200AD	E	C200BF	F	C318BD	G	C300GF	C	UX100GF				
	D303AF	B	D215BD	B	D315BF	C	D240GD		C200AF	E	C210BD	F	C318BF	G	C310GD	C	UX220GF				
	D305AD	B	D215BF	A	D318BD	C	D240GF		C240AD	E	C210BF	G	C200GD	G	C310GF	C	UX312GF				

NO.	PART NO.	GROUP							DESCRIPTION
		A	B	C	D	E	F	G	
1	410726	*	*	*	*	*	*	*	Bed Oil Guard Complete
2	543385	*	*	*	*	*	*	*	Thread Puller Action Plate Spring
3	549142	*	*	*	*	*	*	*	Bed Oil Guard Bracket Screw (2)
4	414409	*	*	*	*	*	*	*	Tension Releasing Wire Guide Tube Complete
5	544144	*	*	*	*	*	*	*	Tension Releasing Wire Sheave Screw
6	543329	*	*	*	*	*	*	*	Tension Releasing Wire Guide Tube Bracket (arm)
7	504010-452	*	*	*	*	*	*	*	Tension Releasing Wire Guide Tube Bracket (arm) Screw (2)
8	543330	*	*	*	*	*	*	*	Tension Releasing Wire Guide Tube Clamping Plate (arm)
9	504051	*	*	*	*	*	*	*	Tension Releasing Wire Guide Tube Clamping Plate (arm) Screw
10	408572	*	*	*	*	*	*	*	Tension Releasing Wire Guide Tube Clamping Plate (arm) Screw Washer
11	543326	*	*	*	*	*	*	*	Tension Releasing Wire Guide Tube Bracket (bed)
12	504063-451	*	*	*	*	*	*	*	Tension Releasing Wire Guide Tube Bracket (bed) Screw (2)
13	543327	*	*	*	*	*	*	*	Tension Releasing Wire Guide Tube Clamping Plate (bed)
14	504051	*	*	*	*	*	*	*	Tension Releasing Wire Guide Tube Clamping Plate (bed) Screw (2)
15	408572	*	*	*	*	*	*	*	Tension Releasing Wire Guide Tube Clamping Plate (bed) Screw Washer (2)
16	540736	*	*	*	*	*	*	*	Tension Releasing Wire Guide Tube Holder (bed)
17	543343	*	*	*	*	*	*	*	Tension Releasing Wire Guide Tube Holder (arm)
18	544824	*	*	*	*	*	*	*	Sensor Retainer
19	544203-011	*	*	*	*	*	*	*	Sensor Retainer Clamping Screw (2)
20	540760	*	*	*	*	*	*	*	Stationary Knife
20	414029	*	*	*	*	*	*	*	Stationary Knife
21	504051	*	*	*	*	*	*	*	Stationary Knife Screw (2)
22	540741	*	*	*	*	*	*	*	Thread Puller Complete
22	410905	*	*	*	*	*	*	*	Thread Puller Complete
22	414030	*	*	*	*	*	*	*	Thread Puller Complete
23	543321	*	*	*	*	*	*	*	Tension Release Action Cam Complete
24	549368	*	*	*	*	*	*	*	Tension Release Action Cam Set Screw
25	414132	*	*	*	*	*	*	*	Tension Release Action Plate Complete
26	544146	*	*	*	*	*	*	*	Tension Release Action Plate Screw
27	543316	*	*	*	*	*	*	*	Tension Release Action Plate Spring
28	544807	*	*	*	*	*	*	*	Thread Puller Action Cam Adjusting Plate Complete
29	549368	*	*	*	*	*	*	*	Thread Puller Action Cam Set Screw
30	544196	*	*	*	*	*	*	*	Thread Puller Action Cam Set Screw
31	544806	*	*	*	*	*	*	*	Thread Puller Action Cam Adjusting Plate
32	545084	*	*	*	*	*	*	*	Thread Puller Action Cam Adjusting Plate Screw (2)
33	543359	*	*	*	*	*	*	*	Thread Puller Bracket Complete
33	410920	*	*	*	*	*	*	*	Thread Puller Bracket Complete
33	414075	*	*	*	*	*	*	*	Thread Puller Bracket Complete
33	414033	*	*	*	*	*	*	*	Thread Puller Bracket Complete
34	543376	*	*	*	*	*	*	*	Thread Puller Adjusting Pin
35	544207-011	*	*	*	*	*	*	*	Thread Puller Adjusting Pin Set Screw
36	545385	*	*	*	*	*	*	*	Thread Puller Bracket Set Screw (2)
37	543434	*	*	*	*	*	*	*	Thread Puller Action Lever Complete
37	414036	*	*	*	*	*	*	*	Thread Puller Action Lever Complete
38	544207-011	*	*	*	*	*	*	*	Thread Puller Action Lever Set Screw
39	543421	*	*	*	*	*	*	*	Thread Puller Action Lever Link
39	414038	*	*	*	*	*	*	*	Thread Puller Action Lever Link
40	543375	*	*	*	*	*	*	*	Thread Puller Action Lever Link Eccentric Bushing
41	549136	*	*	*	*	*	*	*	Thread Puller Action Lever Link Eccentric Bushing Clamping Screw
42	544147	*	*	*	*	*	*	*	Thread Puller Action Lever Link Screw
43	543423	*	*	*	*	*	*	*	Thread Puller Action Plate Complete
44	544143	*	*	*	*	*	*	*	Thread Puller Action Plate Screw
45	544143	*	*	*	*	*	*	*	Thread Puller Action Plate Stopper Screw
46	419217-001	*	*	*	*	*	*	*	Trimmer Solenoid
47	408274	*	*	*	*	*	*	*	Trimmer Solenoid Link Ring
48	543309	*	*	*	*	*	*	*	Trimmer Solenoid Bracket
49	504084	*	*	*	*	*	*	*	Trimmer Solenoid Bracket Screw (2)
50	543420	*	*	*	*	*	*	*	Trimmer Solenoid Link
51	544147	*	*	*	*	*	*	*	Trimmer Solenoid Link Screw
52	542598	*	*	*	*	*	*	*	Trimmer Solenoid Connector
53	542599	*	*	*	*	*	*	*	Trimmer Solenoid Connector Cover
54	542600-004	*	*	*	*	*	*	*	Trimmer Solenoid Cord Connector Complete
55	542602	*	*	*	*	*	*	*	Trimmer Solenoid Cord Bushing
55	542925	*	*	*	*	*	*	*	Trimmer Solenoid Cord Bushing
56	542766-002	*	*	*	*	*	*	*	Trimmer Solenoid Cord Clip (3)
56	542766-002	*	*	*	*	*	*	*	Trimmer Solenoid Cord Clip
57	504051	*	*	*	*	*	*	*	Trimmer Solenoid Cord Clip Screw (3)
57	504051	*	*	*	*	*	*	*	Trimmer Solenoid Cord Clip Screw
58	408572	*	*	*	*	*	*	*	Trimmer Solenoid Cord Clip Screw Washer (3)
58	408572	*	*	*	*	*	*	*	Trimmer Solenoid Cord Clip Screw Washer
59	542766-004	*	*	*	*	*	*	*	Trimmer Solenoid Back Tack Solenoid Cord Clip (2)
60	504051	*	*	*	*	*	*	*	Trimmer Solenoid Back Tack Solenoid Cord Clip Screw (2)
61	408572	*	*	*	*	*	*	*	Trimmer Solenoid Back Tack Solenoid Cord Clip Screw Washer (2)

# SWITCH BOX AND WIPER

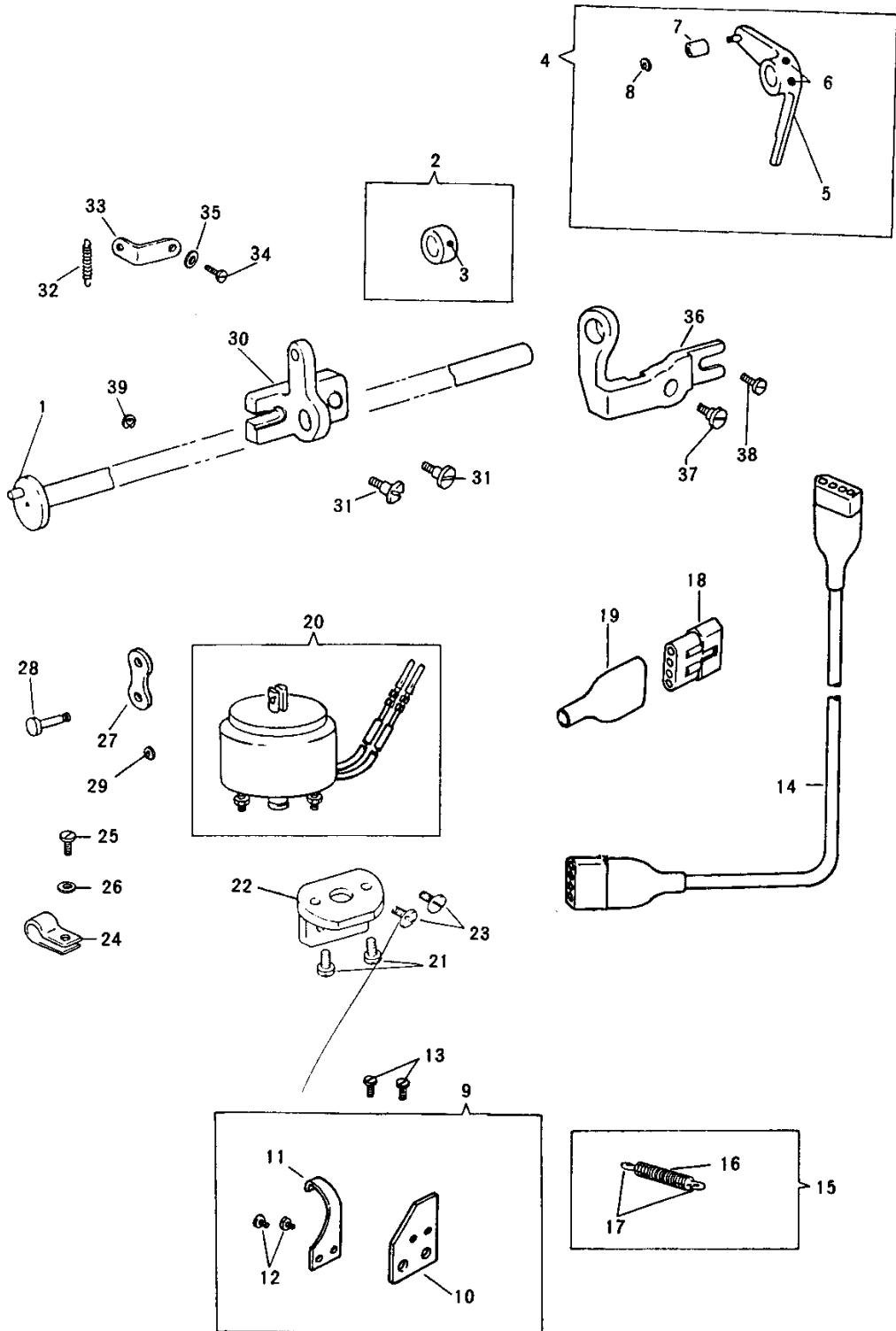


591 MODEL														601 MODEL			
GROUP	VARIETY	GROUP	VARIETY	GROUP	VARIETY	GROUP	VARIETY	GROUP	VARIETY	GROUP	VARIETY	GROUP	VARIETY	GROUP	VARIETY	GROUP	VARIETY
	D203AD	D305AF	A	D240BD	D318BF	B	D300GD	C240AF	A	C240BD	B	C200GF	UX100AF	D	UX320GF		D100AD
	D203AF	D308AD	A	D240BF	D200GD	B	D300GF	C300AD	A	C240BF	C	C210GD	UX301AF				D100AF
	D205AD	D308AF	A	D300BD	D200GF	C	D310GD	C300AF	A	C300BD	C	C210GF	UX302AF			A	D100BD
	D205AF	D200BD	A	D300BF	D210GD	C	D310GF	C308AD	A	C300BF	B	C240GD	UX100BF			A	D100BF
	D240AD	D200BF	A	D310BD	D210GF	C	D315GD	C308AF		C310BD	B	C240GF	UX312BF			B	D100GD
	D240AF	D210BD		D310BF	D215GD	B	D315GF	A	C200BD	C310BF	B	C300GD	UX313BF			B	D100GF
	D303AD	D210BF		D315BD	D215GF		C200AD	A	C200BF	C318BD	B	C300GF	UX100GF				
	D303AF	D215BD		D315BF	D240GD	B	C200AF		C210BD	C318BF	C	C310GD	UX220GF				
	D305AD	D215BF		D318BD	D240GF	B	C240AD		C210BF	B	C200GD	C	C310GF	E	UX312GF		

NO.	PART NO.	GROUP					DESCRIPTION
		A	B	C	D	E	
1	419047	*					Wiper Back Tack Switch Box Complete
1	419008	*	*	*	*		Wiper Back Tack Switch Box Complete
1	419124				*		Wiper Back Tack Switch Box Complete
2	419048	*					Wiper Back Tack Switch Cord Connector Complete
2	419125				*		Wiper Back Tack Switch Cord Connector Complete
2	419009	*	*	*	*		Wiper Back Tack Switch Cord Connector Complete
3	411888	*	*	*	*	*	Back Tack Switch
4	411998	*	*	*	*	*	Wiper Switch
5	544211-056	*	*	*	*	*	Back Tack Switch Screw (2)
6	543805-002	*	*	*	*	*	Back Tack Switch Screw Nut Washer (2)
7	541164-003	*	*	*	*	*	Back Tack Switch Screw Nut (2)
8	544211-001	*	*	*	*	*	Wiper Switch Screw (2)
9	414305	*	*	*	*	*	Wiper Switch Base Plug Cover
10	542766-005	*	*	*	*	*	Wiper Back Tack Switch Cord Clip
10	542766-002	*	*	*	*	*	Wiper Back Tack Switch Cord Clip
11	545307	*	*	*	*	*	Wiper Back Tack Switch Cord Clip Screw
12	414235	*	*	*	*	*	Back Tack Switch Action Shaft Complete
13	414234	*	*	*	*	*	Back Tack Switch Action Shaft Cushion Ring
14	411417	*	*	*	*	*	Back Tack Switch Action Plate
15	544212-054	*	*	*	*	*	Back Tack Switch Action Plate Screw
16	546623	*	*	*	*	*	Back Tack Switch Action Shaft Snap Ring
17	414237	*	*	*	*	*	Wiper Back Tack Switch Box
18	414245	*	*	*	*	*	Switch Action Shaft Plug
19	544212-052	*	*	*	*	*	Wiper Back Tack Switch Box Screw (3)
20	543803-003	*	*	*	*	*	Wiper Back Tack Switch Box Screw Washer (2)
21	542766-004	*	*	*	*	*	Switch Box Cord Clip (2)
22	414291	*	*	*	*	*	Wiper Back Tack Switch Box Spacer
23	414321	*	*	*	*	*	Wiper Solenoid Connector Clip
24	545307	*	*	*	*	*	Wiper Solenoid Connector Clip Screw
25	504010-452	*	*	*	*	*	Switch Box Cord Clip Screw
26	419090	*	*	*	*	*	Wiper Solenoid Connector Complete
27	542613	*	*	*	*	*	Wiper Solenoid Bracket
27	414419	*	*	*	*	*	Wiper Solenoid Bracket
28	543383	*	*	*	*	*	Wiper Solenoid Bracket Clamping Plate
29	504063-451	*	*	*	*	*	Wiper Solenoid Bracket Clamping Screw
30	547671	*	*	*	*	*	Wiper Solenoid Bracket Clamping Screw Spring Washer
31	544821	*	*	*	*	*	Wiper
31	544991	*	*	*	*	*	Wiper
32	543432	*	*	*	*	*	Wiper Holder
33	544212-001	*	*	*	*	*	Wiper Holder Set Screw
34	549368	*	*	*	*	*	Wiper Set Screw
35	543435	*	*	*	*	*	Wiper Cushion
36	544212-052	*	*	*	*	*	Wiper Solenoid Bracket Set Screw (2)
37	544740	*	*	*	*	*	Wiper Holder Complete
38	544992	*	*	*	*	*	Wiper Holder
39	544196	*	*	*	*	*	Wiper Holder Set Screw
40	549368	*	*	*	*	*	Wiper Set Screw
41	414420	*	*	*	*	*	Wiper Solenoid Lever Complete
42	549368	*	*	*	*	*	Wiper Solenoid Lever Screw (2)
43	544999	*	*	*	*	*	Wiper Solenoid Link
44	544147	*	*	*	*	*	Wiper Solenoid Link Screw (2)
45	544723	*	*	*	*	*	Wiper Oscilating Shaft Arm Complete
46	549368	*	*	*	*	*	Wiper Oscilating Shaft Arm Screw (2)
47	544998	*	*	*	*	*	Wiper Oscilating Shaft
48	545000	*	*	*	*	*	Wiper Oscilating Shaft Arm Hob
49	504063-451	*	*	*	*	*	Wiper Oscilating Shaft Arm Hob Screw
50	543801-004	*	*	*	*	*	Wiper Oscilating Shaft Snap Ring (2)
51	544997	*	*	*	*	*	Wiper Oscilating Spring
52	543803-003	*	*	*	*	*	Wiper Solenoid Bracket Set Screw Washer (2)



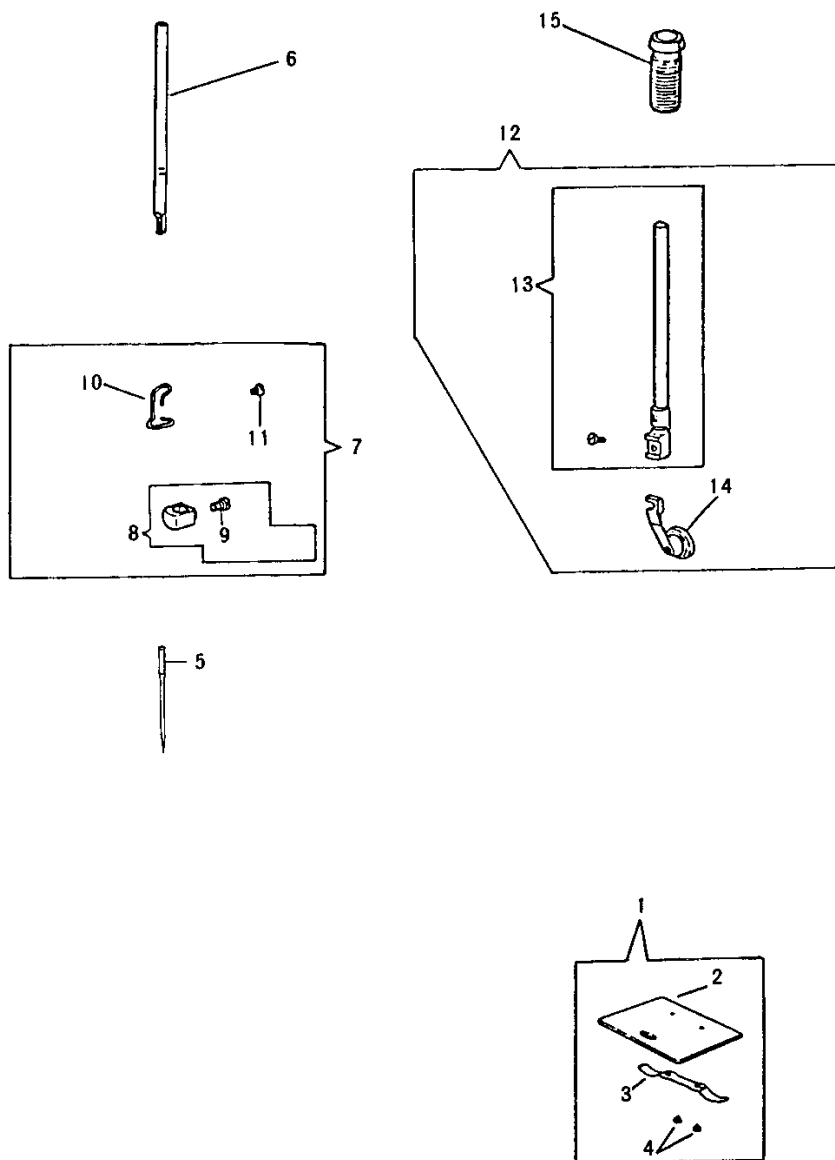
BACK TACK MECHANISM



591 MODEL														601 MODEL								
GROUP	VARIETY	GROUP	VARIETY	GROUP	VARIETY	GROUP	VARIETY	GROUP	VARIETY	GROUP	VARIETY	GROUP	VARIETY	GROUP	VARIETY	GROUP	VARIETY					
	D203 AD		D305 AF		D240 BD		D318 BF	A	D300 GD		C240 AF		C240 BD	B	C200 GF		UX100 AF	A	UX320 GF		D100 AD	
	D203 AF		D308 AD		D240 BF	A	D200 GD	A	D300 GF		C300 AD		C240 BF	B	C210 GD		UX301 AF				D100 AF	
	D205 AD		D308 AF		D300 BD	A	D200 GF	A	D310 GD		C300 AF		C300 BD	B	C210 GF		UX302 AF				D100 BD	
	D205 AF		D200 BD		D300 BF	A	D210 GD	A	D310 GF		C308 AD		C300 BF	B	C240 GD		UX100 BF				D100 BF	
	D240 AD		D200 BF		D310 BD	A	D210 GF	A	D315 GD		C308 AF		C310 BD	B	C240 GF		UX312 BF				C	D100 GD
	D240 AF		D210 BD		D310 BF	A	D215 GD	A	D315 GF		C200 BD		C310 BF	B	C300 GD		UX313 BF				C	D100 GF
	D303 AD		D210 BF		D315 BD	A	D215 GF		C200 AD		C200 BF		C318 BD	B	C300 GF	A	UX100 GF					
	D303 AF		D215 BD		D315 BF	A	D240 GD		C200 AF		C210 BD		C318 BF	B	C310 GD	A	UX220 GF					
	D305 AD		D215 BF		D318 BD	A	D240 GF		C240 AD		C210 BF	B	C200 GD	B	C310 GF	A	UX312 GF					

NO.	PART NO.	GROUP			DESCRIPTION
		A	B	C	
1	543454	*	*	*	Feed Rock Shaft Driving Frame Action Shaft Complete
2	542364	*	*	*	Feed Rock Shaft Driving Frame Action Shaft Collar Complete
3	549293	*	*	*	Feed Rock Shaft Driving Frame Action Shaft Collar Set Screw
4	544803	*	*	*	Feed Rock Shaft Driving Frame Action Lever Complete
4	410997	*	*	*	Feed Rock Shaft Driving Frame Action Lever Complete
5	543456	*	*	*	Feed Rock Shaft Driving Frame Action Lever Complete
5	410993-900	*	*	*	Feed Rock Shaft Driving Frame Action Lever Complete
6	549368	*	*	*	Feed Rock Shaft Driving Frame Action Lever Complete
7	543458	*	*	*	Feed Rock Shaft Driving Frame Action Lever Screw (2)
8	543801-001	*	*	*	Feed Rock Shaft Driving Frame Action Lever Cushion
9	414268	*	*	*	Feed Rock Shaft Driving Frame Action Lever Pin Cushion Ring
10	414269	*	*	*	Feed Rock Shaft Driving Frame Stopper Spring Complete
11	414270	*	*	*	Feed Rock Shaft Driving Frame Stopper Spring Bracket
12	544383	*	*	*	Feed Rock Shaft Driving Frame Stopper Spring
13	504084	*	*	*	Feed Rock Shaft Driving Frame Stopper Spring Screw (2)
14	542757-004	*	*	*	Trim Solenoid and Back Tack Solenoid Cord Connector Complete
15	410701	*	*	*	Feed Rock Shaft Driving Frame Spring Complete
16	410702	*	*	*	Feed Rock Shaft Driving Frame Spring
17	410703	*	*	*	Feed Rock Shaft Driving Frame Spring Hook (2)
18	542598	*	*	*	Trimmer Solenoid Connector
19	542599	*	*	*	Trimmer Solenoid Connector Cover
20	419218-001	*	*	*	Back Tack Solenoid Complete
20	411710-002	*	*	*	Back Tack Solenoid Complete
21	544213-002	*	*	*	Back Tack Solenoid Screw (2)
22	414246	*	*	*	Back Tack Solenoid Bracket
22	411711	*	*	*	Back Tack Solenoid Bracket
23	545371	*	*	*	Back Tack Solenoid Bracket Screw (2)
24	542766-002	*	*	*	Back Tack Solenoid Cord Clip
25	504051	*	*	*	Back Tack Solenoid Cord Clip Screw
26	408572	*	*	*	Back Tack Solenoid Cord Clip Screw Washer
27	414247	*	*	*	Back Tack Solenoid Link
27	543447	*	*	*	Back Tack Solenoid Link
28	544822	*	*	*	Back Tack Solenoid Link Pin
29	544823	*	*	*	Back Tack Solenoid Link Pin Snap Ring
30	414281	*	*	*	Feed Rock Shaft Driving Frame Action Shaft Bracket (front) Complete
30	543450	*	*	*	Feed Rock Shaft Driving Frame Action Shaft Bracket (front) Complete
31	549288	*	*	*	Feed Rock Shaft Driving Frame Action Shaft Bracket (front) Screw (2)
32	543462	*	*	*	Back Tack Solenoid Spring
33	543463	*	*	*	Back Tack Solenoid Spring Retainer
34	504051	*	*	*	Back Tack Solenoid Spring Retainer Screw
35	408572	*	*	*	Back Tack Solenoid Spring Retainer Screw Washer
36	543451	*	*	*	Feed Rock Shaft Driving Frame Action Shaft Bracket (back)
37	549288	*	*	*	Feed Rock Shaft Driving Frame Action Shaft Bracket (back) Screw
38	504084	*	*	*	Feed Rock Shaft Driving Frame Action Shaft Bracket (back) Screw
39	319561	*	*	*	Back Tack Solenoid Link Guide Pin Stud Snap Ring

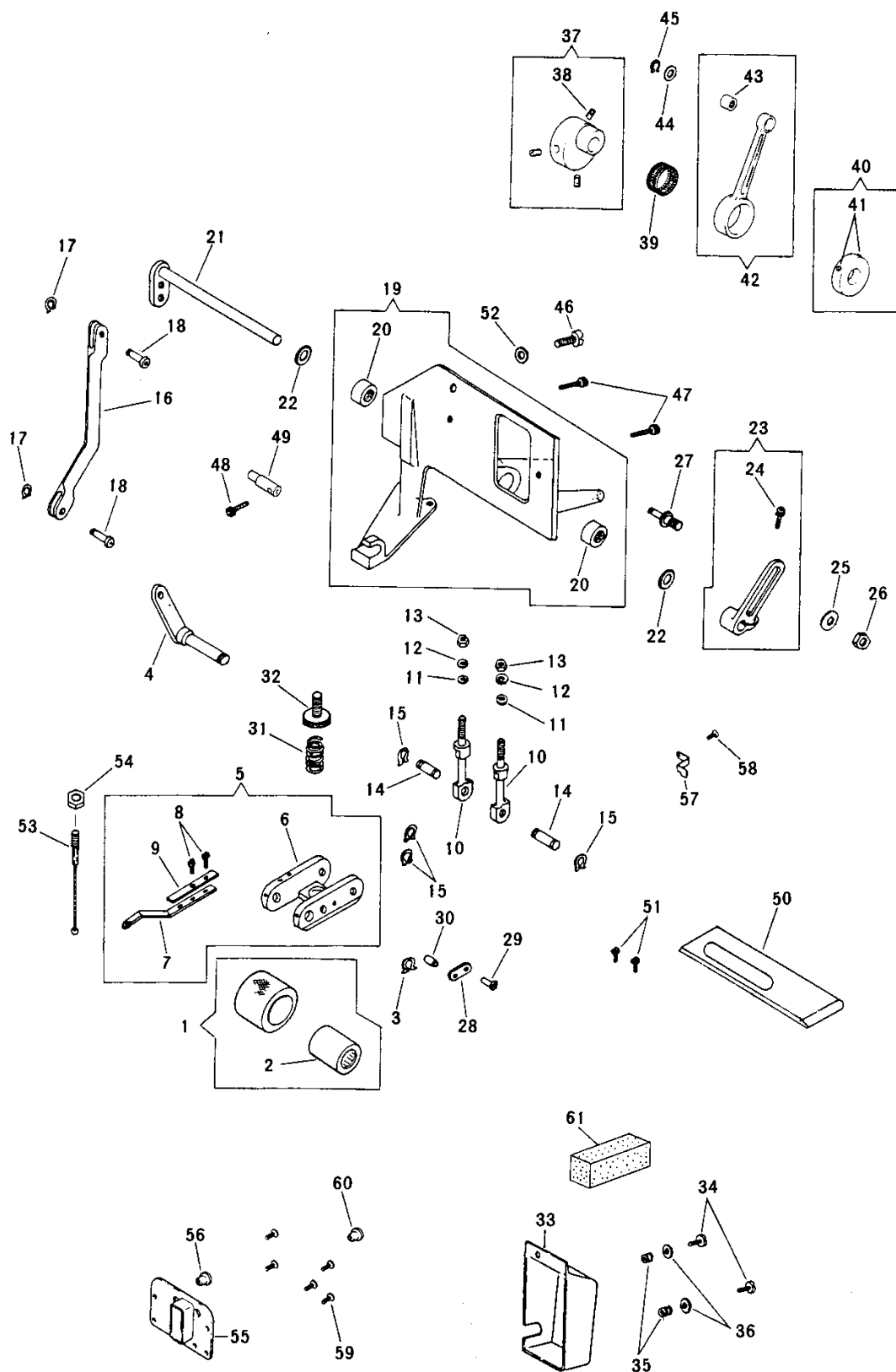
# PRESSER BAR AND ROLLER



591 MODEL												601 MODEL			
GROUP	VARIETY	GROUP	VARIETY	GROUP	VARIETY	GROUP	VARIETY	GROUP	VARIETY	GROUP	VARIETY	GROUP	VARIETY	GROUP	VARIETY
	D203AD	D305AF	D240BD	D318BF	D300GD	C240AF	C240BD	C200GF	UX100AF		LX320GF				D100AD
	D203AF	D308AD	D240BF	D200GD	D300GF	C300AD	C240BF	C210GD	A	UX301AF					D100AF
	D205AD	D308AF	D300BD	D200GF	D310GD	C300AF	C300BD	C210GF	B	UX302AF					D100BD
	D205AF	D200BD	D300BF	D210GD	D310GF	C308AD	C300BF	C240GD		UX100BF					D100BE
	D240AD	D200BF	D310BD	D210GF	D315GD	C308AF	C310BD	C240GF	B	UX312BF					D100GD
	D240AF	D210BD	D310BF	D215GD	D315GF	C200BD	C310BF	C300GD		UX313BF					D100GF
	D303AD	D210BF	D315BD	D215GF	C200AD	C200BF	C318BD	C300GF		UX100GF					
	D303AF	D215BD	D315BF	D240GD	C200AF	C210BD	C318BF	C310GD		UX220GF					
	D305AD	D215BF	D318BD	D240GF	C240AD	C210BF	C200GD	C310GF	B	UX312GF					

NO.	PART NO.	GROUP		DESCRIPTION
		A	B	
1	505317-452	*	*	Bed Slide Complete
2	12431-452	*	*	Bed Slide (body)
3	154884	*	*	Bed Slide Spring
4	154789-451	*	*	Bed Slide Spring Screw (2)
5	N1955-01 #14	*	*	Needle (135×65 #14)
6	505645	*	*	Needle Bar (hollow)
7	543497	*	*	Needle Bar Thread Guard and Needle Clamp Complete
8	505638	*	*	Needle Clamp Complete
9	504113	*	*	Needle Clamp Screw
10	543496	*	*	Needle Bar Thread Guard
11	504114	*	*	Needle Bar Thread Guard Screw
12	543117-001	*	*	Presser Bar and Roller Complete
13	543115-001	*	*	Presser Bar Complete
14	543116-001	*	*	Roller Presser (ball bearing) Complete
14	543024-001	*	*	Presser Bar and Roller Complete
15	504083	*	*	Presser Regulating Thumb Screw

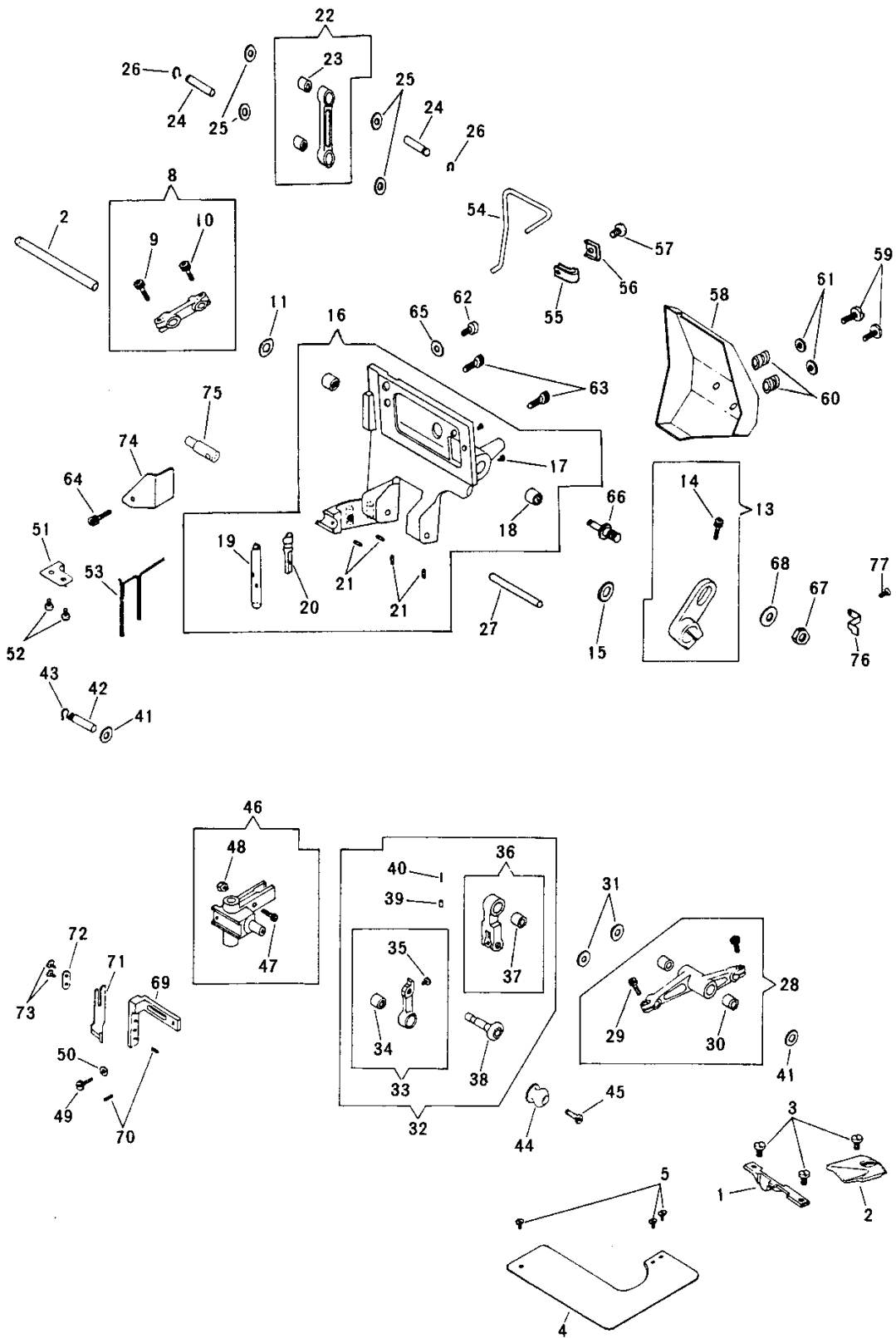
# PULLER FEED



591 MODEL													601 MODEL								
GROUP	VARIETY	GROUP	VARIETY	GROUP	VARIETY	GROUP	VARIETY	GROUP	VARIETY	GROUP	VARIETY	GROUP	VARIETY	GROUP	VARIETY	GROUP	VARIETY				
A	D203 AD	C	D305 AF		D240 BD		D318 BF		D300 GD		C240 AF		C240 BD		C200 GF		UX100 AF		UX320 GF		D100 AD
A	D203 AF		D308 AD		D240 BF		D200 GD		D300 GF		C300 AD		C240 BF		C210 GD		UX301 AF				D100 AF
C	D205 AD		D308 AF		D300 BD		D200 GF		D310 GD		C300 AF		C300 BD		C210 GF		UX302 AF				D100 BD
C	D205 AF		D200 BD		D300 BF		D210 GD		D310 GF		C308 AD		C300 BF		C240 GD		UX100 BF				D100 BF
	D240 AD		D200 BF		D310 BD		D210 GF	C	D315 GD		C308 AF		C310 BD		C240 GF		UX312 BF				D100 GD
	D240 AF		D210 BD		D310 BF	C	D215 GD	C	D315 GF		C200 BD		C310 BF		C300 GD	B	UX313 BF				D100 GF
B	D303 AD		D210 BF	C	D315 BD	C	D215 GF		C200 AD		C200 BF		C318 BD		C300 GF		UX100 GF				
B	D303 AF	C	D215 BD	C	D315 BF		D240 GD		C200 AF		C210 BD		C318 BF		C310 GD		UX220 GF				
C	D305 AD	C	D215 BF		D318 BD		D240 GF		C240 AD		C210 BF		C200 GD		C310 GF		UX312 GF				

NO.	PART NO.	GROUP			DESCRIPTION
		A	B	C	
1	522583	*			Feed Roller and Holder Ass'y
1	522577	*	*		Feed Roller and Holder Ass'y
2	522665	*	*		Feed Roller Clutch
3	44731	*	*		Feed Roller Retaining Ring
4	522561	*	*		Feed Roller Shaft Ass'y
5	522551	*	*		Feed Roller Holder Complete
6	522550	*	*		Feed Roller Holder
7	522554	*	*		Feed Roller Lifting Arm
8	545050	*	*		Feed Roller Lifting Arm Screw (2)
9	522670	*	*		Feed Roller Lifting Arm Strip
10	522553	*	*		Feed Roller Holder Mounting Stud (2)
11	703473-036	*	*		Feed Roller Mounting Stud Lock Washer (2)
12	706382-053	*	*		Feed Roller Holder Mounting Stud Plate Washer (2)
13	782872-003	*	*		Feed Roller Holder Mounting Stud Nut (2)
14	522552	*	*		Feed Roller Holder Hinge Pin (2)
15	522571	*	*		Feed Roller Holder Hinge Pin Retaining Ring (4)
16	410862	*	*		Feed Roller Link
17	13288	*	*		Feed Roller Link Retaining Ring (2)
18	149280	*	*		Feed Roller Link Stud Ass'y (2)
19	410863	*	*		Puller Feed Mounting Bracket Ass'y
20	522109	*	*		Puller Feed Driving Shaft Bearing (2)
21	410865	*	*		Feed Roller Driving Shaft Complete
22	522516	*	*		Feed Roller Driving Shaft Thrust Washer (2)
23	522549	*	*		Feed Roller Driving Shaft Adjusting Crank Complete
24	350883-869	*	*		Feed Roller Driving Shaft Adjusting Crank Screw
25	522542	*	*		Feed Roller Driving Connecting Rod Hinge Stud Bevel Spring Washer
26	51637	*	*		Feed Roller Driving Connecting Rod Hinge Stud Nut
27	522543	*	*		Feed Roller Driving Connecting Rod Stud
28	522546	*	*		Feed Roller Brake Spring
29	504063-452	*	*		Feed Roller Brake Spring Screw
30	522547	*	*		Feed Roller Brake Stud
31	522558	*	*		Feed Roller Pressure Spring
32	522559	*	*		Feed Roller Pressure Spring Adjusting Seat
33	410867	*	*		Puller Feed Cover
34	544237	*	*		Puller Feed Cover Screw (2)
35	635498-01	*	*		Puller Feed Cover Cushion (2)
36	408558	*	*		Puller Feed Cover Screw Washer (2)
37	410762	*	*	*	Arm Shaft Feed Eccentric Complete
38	544209-005	*	*	*	Arm Shaft Feed Eccentric Set Screw (3)
39	410782	*	*	*	Connecting Rod Needle Bearing (large)
40	410764	*	*	*	Arm Shaft Feed Eccentric Collar Complete
41	544209-005	*	*	*	Arm Shaft Feed Eccentric Collar Set Screw (2)
42	410835	*	*	*	Connecting Rod Complete
43	522378	*	*	*	Connecting Rod Needle Bearing (small)
44	522498	*	*	*	Feed Roller Driving Connecting Rod Stud Thrust Washer
45	13288	*	*	*	Feed Roller Driving Connecting Rod Stud Retaining Ring
46	544071	*	*	*	Frame Mounting Screw (large)
47	350938-451	*	*	*	Frame Mounting Screw (small) (2)
48	350899-869	*	*	*	Frame Mounting Screw (lower)
49	410767	*	*	*	Frame Supporting Pin
50	414077	*	*	*	Puller Feed Base Plate Complete
51	1492	*	*	*	Puller Feed Base Plate Screw (2)
52	543804-006	*	*	*	Frame Mounting Screw (large) Washer
53	522555	*	*	*	Feed Roller Lifting Cable
54	522636	*	*	*	Feed Roller Lifting Cable Lock Nut
55	410846	*	*	*	Rear Cover Plate
56	502577	*	*	*	Rear Cover Plate Plug (right)
57	410848	*	*	*	Oil Removing Tube Retainer (intermediate)
58	504051	*	*	*	Oil Removing Tube Retainer (intermediate) Screw
59	545334-452	*	*	*	Rear Cover Plate Screw (5)
60	544782	*	*	*	Rear Cover Plate Plug
61	410899	*	*	*	Oil Guard (inside of arm)

# VERTICAL EDGE TRIMMER

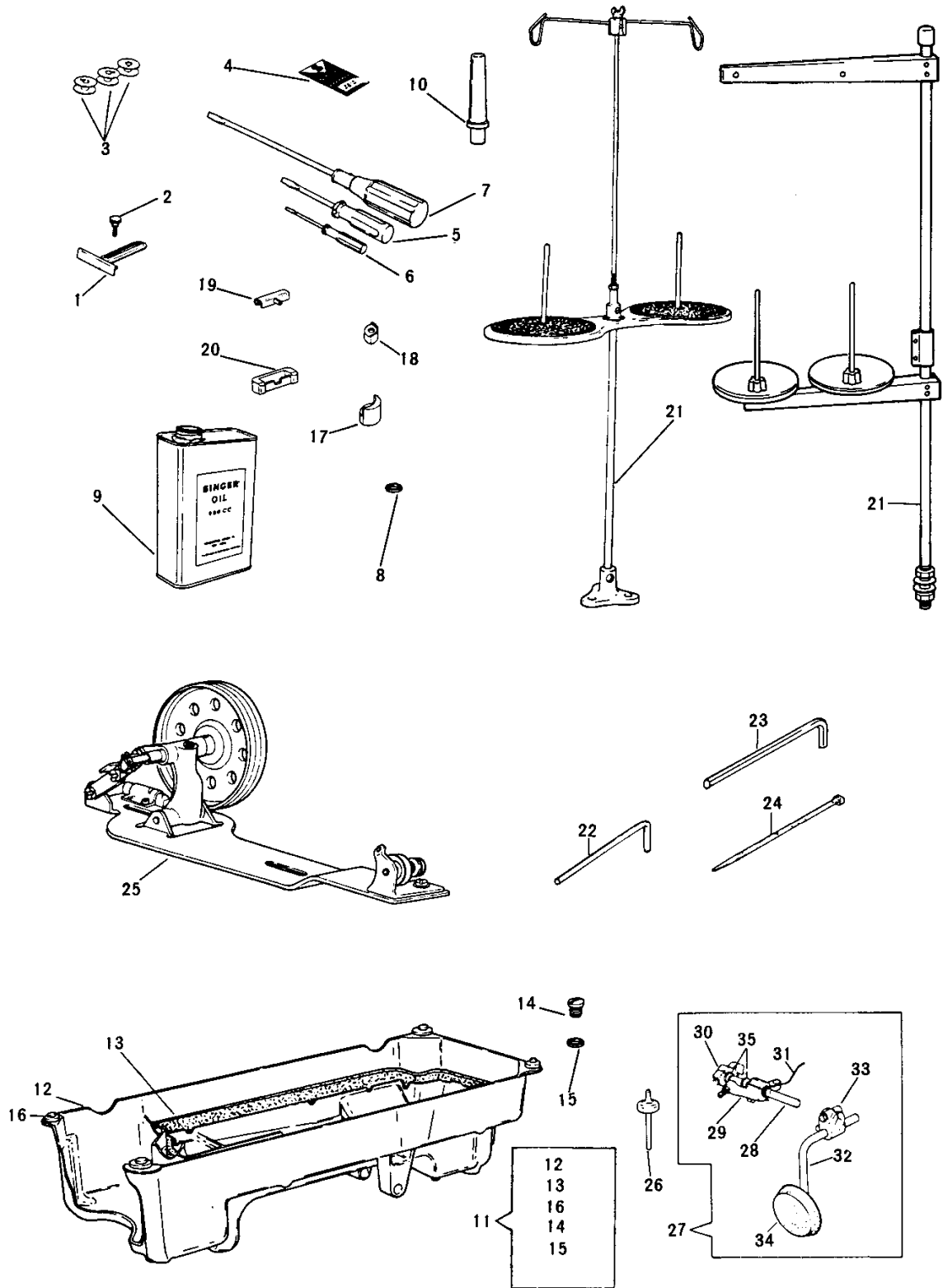


591 MODEL														601 MODEL					
GROUP	VARIETY	GROUP	VARIETY	GROUP	VARIETY	GROUP	VARIETY	GROUP	VARIETY	GROUP	VARIETY	GROUP	VARIETY	GROUP	VARIETY	GROUP	VARIETY		
	D203AD	B	D305AF		D240BD		D318BF		D300GD		C240AF		C240BD		C200GF		UX100AF	UX320GF	D100AD
	D203AF		D308AD		D240BF		D200GD		D300GF		C300AD		C240BF		C210GD		UX302AF		D100AF
A	D205AD		D308AF		D300BD		D200GF		D310GD		C300AF		C300BD		C210GF		UX100BF		D100BD
A	D205AF		D200BD		D300BF		D210GD		D310GF		C308AD		C300BF		C240GD		UX100BF		D100BF
	D240AD		D200BF		D310BD		D210GF	B	D315GD		C308AF		C310BD		C240GF		UX312BF		D100GD
	D240AF		D210BD		D310BF	A	D215GD	B	D315GF		C200BD		C310BF		C300GD		UX313BF		D100GF
	D303AD		D210BF	B	D315BD	A	D215GF		C200AD		C200BF		C318BD		C300GF		UX100GF		
	D303AF	A	D215BD	B	D315BF		D240GD		C200AF		C210BD		C318BF		C310GD		UX220GF		
B	D305AD	A	D215BF		D318BD		D240GF		C240AD		C210BF		C200GD		C310GF		UX312GF		

NO.	PART NO.	GROUP		DESCRIPTION
		A	B	
1	414049-008	*	*	Throat Plate Cutter Bar ("1/8" trim small needle hole)
1	414050-012	**	**	Throat Plate Cutter Bar ("3/16" trim large needle hole)
2	410961	**	**	Throat Plate Slide
3	544238	**	**	Throat Plate Cutter Bar Screw (2)
3	544238	**	**	Throat Plate Slide Screw
4	410875	**	**	Bed Cover Plate
5	544235	**	**	Bed Cover Plate Screw (3)
8	522499	**	**	Drive Feed Clamp(front) Complete
9	350881-869	**	**	Drive Feed Clamp(front) Screw (long)
10	350883-869	**	**	Drive Feed Clamp(front) Screw (short)
11	522516	**	**	Drive Feed Clamp(front) Thrust Washer
12	522515	**	**	Drive Feed Clamp Idler Shaft
13	414258	**	**	Drive Feed Clamp(back) Complete
14	350883-869	**	**	Drive Feed Clamp(back) Screw
15	543856	**	**	Drive Feed Clamp(back) Thrust Washer
16	522508-452	**	**	Frame Ass'y
17	228661	**	**	Rubber Stop(6)
18	522109	**	**	Idler Shaft Bearing (2)
19	522513	**	**	Slide Block Post(long)
20	522514	**	**	Slide Block Post(short)
21	350885-869	**	**	Rocker Arm Shaft Set Screw(2)
21	350885-869	**	**	Slide Block Post Set Screw(2)
22	522519	**	**	Link Complete
23	522378	**	**	Link Bearing(2)
24	522497	**	**	Link Pivot Pin(2)
25	522498	**	**	Link Thrust Washer(4)
26	13288	**	**	Link Pivot Pin Stop Ring(2)
27	522527	**	**	Rocker Arm Shaft
28	522526	**	**	Rocker Arm Complete
29	350944-451	**	**	Rocker Arm Screw(2)
30	522378	**	**	Rocker Arm Bearing(2)
31	522498	**	**	Rocker Arm Thrust Washer(2)
32	522502	**	**	Drive Link Ass'y
33	522505	**	**	Drive Link(lower) Complete
34	522378	**	**	Drive Link(lower) Bearing
35	549157	**	**	Drive Link Pivot Pin Screw
36	522507	**	**	Drive Link(upper) Complete
37	522378	**	**	Drive Link(upper) Bearing
38	522504	**	**	Drive Link Pivot Pin
39	522500	**	**	Drive Link Detent Pin
40	522501	**	**	Drive Link Detent Pin Spring
41	522498	**	**	Drive Link(upper) Thrust Washer(2)
42	522497	**	**	Drive Link(upper) Pivot Pin
43	13288	**	**	Drive Link(upper) Pivot Pin Stop Ring
44	522521	**	**	Spring Retainer Knob
45	544236	**	**	Spring Retainer Knob Screw
46	522528	**	**	Slide Block Complete
47	350899-869	**	**	Slide Block Screw
48	53680-830	**	**	Slide Block Screw Lock Nut
49	350946-830	**	**	Knife Mounting Block Mounting Screw
50	543803-003	**	**	Knife Mounting Block Mounting Screw Washer
51	522785	**	**	Disengagement Spring
52	504103	**	**	Disengagement Spring Screw(2)
53	410839	**	**	Vertical Edge Trimmer Oil Wick
54	410840	**	**	V.E.T.Oil Wick Tube
55	410841	**	**	V.E.T.Oil Wick Tube Mounting Bracket
56	410842	**	**	Oil Wick Tube Mounting Bracket Plate
57	504063-451	**	**	Oil Wick Tube Mounting Bracket Screw
58	522510-452	**	**	V.E.T. Cover
59	544237	**	**	V.E.T. Cover Screw(2)
60	635498-01	**	**	V.E.T. Cover Screw Cushion(2)
61	408558	**	**	V.E.T. Cover Screw Washer(2)
62	544071	**	**	Frame Mounting Screw(large)
63	350938-451	**	**	Frame Mounting Screw(small)(2)
64	350899-869	**	**	Frame Mounting Screw(lower)
65	543804-006	**	**	Frame Mounting Screw(large) Washer
66	522543	**	**	Connecting Rod Pivot Pin
67	51637	**	**	Connecting Rod Pivot Pin Nut
68	522542	**	**	Connecting Rod Pivot Pin Spring Washer
69	522517	**	**	Knife Mounting Block
70	545315-452	**	**	Knife Mounting Block Adjusting Screw(2)
71	410968	**	**	Knife
72	2291	**	**	Knife Mounting Block Clamping Plate
73	1056-830	**	**	Knife Set Screw(2)
74	410844	**	**	V.E.T. Finger Guard
75	410767	**	**	Frame Supporting Pin
76	410848	**	**	Oil Removing Tube Retainer(intermediate)
77	504051	**	**	Oil Removing Tube Retainer(intermediate) Screw



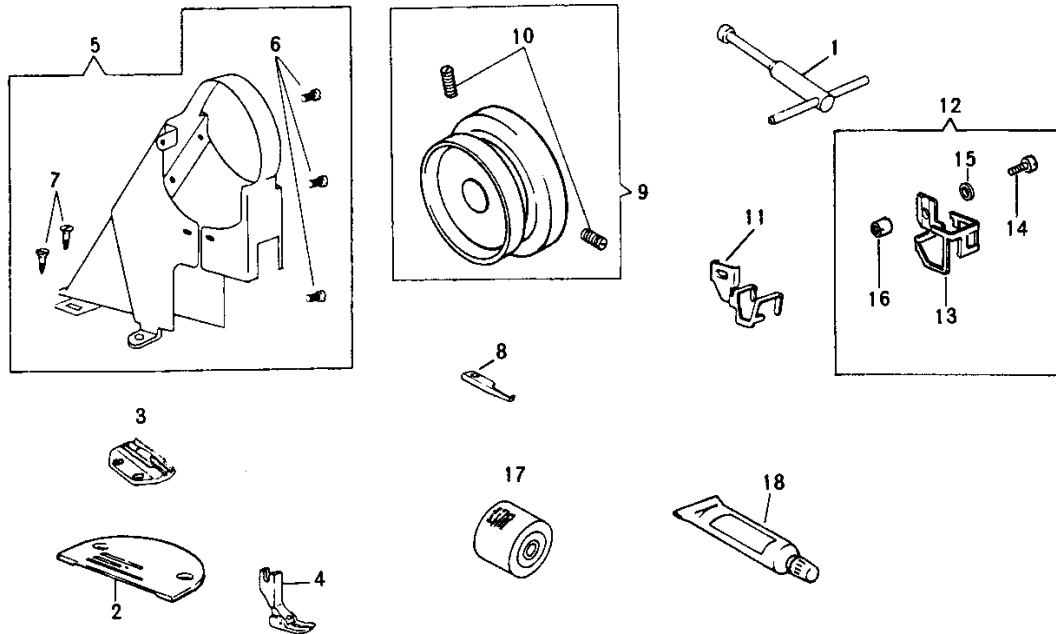
# ACCESSORIES AND ATTACHMENTS



591 MODEL												601 MODEL											
GROUP	VARIETY	GROUP	VARIETY	GROUP	VARIETY	GROUP	VARIETY	GROUP	VARIETY	GROUP	VARIETY	GROUP	VARIETY	GROUP	VARIETY	GROUP	VARIETY	GROUP	VARIETY	GROUP	VARIETY		
P	D203AD	B	D305AF	D	D240BD	K	D318BF	H	D300GD	A	C240AF	D	C240BD	E	C200GF	N	UX100AF	I	UX320GF	P	D100AD		
A	D203AF	R	D308AD	E	D240BF	D	D200GD	I	D300GF	Q	C300AD	E	C240BF	D	C210GD	A	UX301AF			A	D100AF		
P	D205AD	C	D308AF	H	D300BD	E	D200GF	H	D310GD	B	C300AF	H	C300BD	E	C210GF	A	UX302AF			D	D100BD		
A	D205AF	D	D200BD	I	D300BF	D	D210GD	I	D310GF	R	C308AD	I	C300BF	D	C240GD	O	UX100BF			E	D100BF		
P	D240AD	E	D200BF	H	D310BD	E	D210GF	F	D315GD	C	C308AF	H	C310BD	E	C240GF	E	UX312BF			D	D100GD		
A	D240AF	D	D210BD	I	D310BF	F	D215GD	G	D315GF	D	C200BD	I	C310BF	H	C300GD	I	UX313BF			E	D100GF		
Q	D303AD	E	D210BF	E	D315BD	G	D215GF	P	C200AD	E	C200BF	L	C318BD	I	C300GF	O	UX100GF						
B	D303AF	F	D215BD	G	D315BF	D	D240GD	A	C200AF	D	C210BD	M	C318BF	H	C310GD	E	UX220GF						
Q	D305AD	G	D215BF	J	D318BD	E	D240GF	P	C240AD	E	C210BF	D	C200GD	I	C310GF	E	UX112GF						

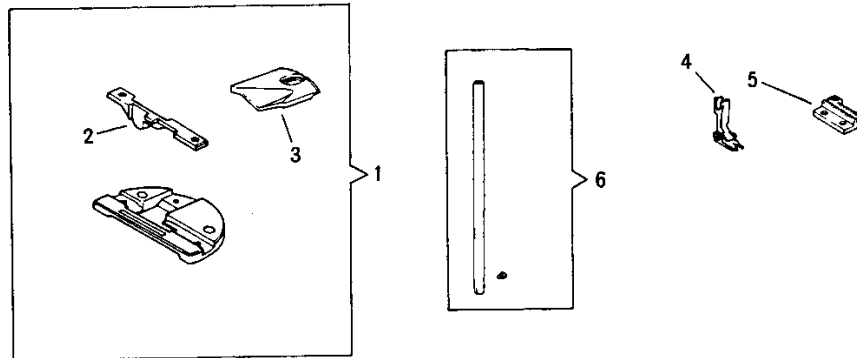
NO.	PART NO.	GROUP																DESCRIPTION		
		A	B	C	D	E	F	G	H	I	J	K	L	M	N	O	P		Q	R
1	541515	*	*	*	*	*	*	*	*	*	*	*	*	*	*	*	*	*	*	Cloth Guide
2	504030	*	*	*	*	*	*	*	*	*	*	*	*	*	*	*	*	*	*	Cloth Guide Screw
3	55623	*	*	*	*	*	*	*	*	*	*	*	*	*	*	*	*	*	*	Rotating Hook Bobbin (3)
3	272152	*	*	*	*	*	*	*	*	*	*	*	*	*	*	*	*	*	*	Rotating Hook Bobbin (3)
4	N1955-01#14	*	*	*	*	*	*	*	*	*	*	*	*	*	*	*	*	*	*	Needle (135x65#14) (3)
4	N1955-01#16	*	*	*	*	*	*	*	*	*	*	*	*	*	*	*	*	*	*	Needle (135x65#16) (3)
4	N1955-01#21	*	*	*	*	*	*	*	*	*	*	*	*	*	*	*	*	*	*	Needle (135x65#21) (3)
4	N1955-01#18	*	*	*	*	*	*	*	*	*	*	*	*	*	*	*	*	*	*	Needle (135x65#18) (3)
4	N1315-01#8	*	*	*	*	*	*	*	*	*	*	*	*	*	*	*	*	*	*	Needle (88x1#8) (3)
5	541513	*	*	*	*	*	*	*	*	*	*	*	*	*	*	*	*	*	*	Screw Driver (large)
6	541514	*	*	*	*	*	*	*	*	*	*	*	*	*	*	*	*	*	*	Screw Driver (Small)
7	548701	*	*	*	*	*	*	*	*	*	*	*	*	*	*	*	*	*	*	Screw Driver (long)
8	545754	*	*	*	*	*	*	*	*	*	*	*	*	*	*	*	*	*	*	Machine Base and Oil Reservoir Oil Drain Plug Screw Gasket
9	410154	*	*	*	*	*	*	*	*	*	*	*	*	*	*	*	*	*	*	Oil Can (750 cc. filled with Singer Type "C" Oil)
10	410186	*	*	*	*	*	*	*	*	*	*	*	*	*	*	*	*	*	*	Machine Rest Pin
11	544976	*	*	*	*	*	*	*	*	*	*	*	*	*	*	*	*	*	*	Machine Base and Oil Reservoir Complete
12	544977-002	*	*	*	*	*	*	*	*	*	*	*	*	*	*	*	*	*	*	Machine Base and Oil Reservoir
13	544978	*	*	*	*	*	*	*	*	*	*	*	*	*	*	*	*	*	*	Machine Base and Oil Reservoir Gasket
14	545036	*	*	*	*	*	*	*	*	*	*	*	*	*	*	*	*	*	*	Machine Base and Oil Reservoir Oil Drain Plug Screw
15	545754	*	*	*	*	*	*	*	*	*	*	*	*	*	*	*	*	*	*	Machine Base and Oil Reservoir Oil Drain Plug Screw Gasket
16	376216	*	*	*	*	*	*	*	*	*	*	*	*	*	*	*	*	*	*	Machine Rest (rubber) (4)
17	376215	*	*	*	*	*	*	*	*	*	*	*	*	*	*	*	*	*	*	Machine Base and Oil Reservoir Cushion (front) with two Wire Nail (2)
18	376214	*	*	*	*	*	*	*	*	*	*	*	*	*	*	*	*	*	*	Machine Base and Oil Reservoir Cushion (back) with two Wire Nail (2)
19	540522	*	*	*	*	*	*	*	*	*	*	*	*	*	*	*	*	*	*	Machine Hinge Connection (2)
20	540523	*	*	*	*	*	*	*	*	*	*	*	*	*	*	*	*	*	*	Machine Hinge Connection Cushion (2)
21	505656-005	*	*	*	*	*	*	*	*	*	*	*	*	*	*	*	*	*	*	Thread Unwinder (for two spools) Complete, with three Wood Screw
21	414489-451	*	*	*	*	*	*	*	*	*	*	*	*	*	*	*	*	*	*	Thread Unwinder (for two spools) Complete
22	543066	*	*	*	*	*	*	*	*	*	*	*	*	*	*	*	*	*	*	Hexagon Wrench Key (for M4)
23	543087	*	*	*	*	*	*	*	*	*	*	*	*	*	*	*	*	*	*	Hexagon Wrench Key (for M5)
24	540899	*	*	*	*	*	*	*	*	*	*	*	*	*	*	*	*	*	*	Sensor Cord Retainer (3)
25	505655-012	*	*	*	*	*	*	*	*	*	*	*	*	*	*	*	*	*	*	Universal Bobbin Winder Complete
26	414230	*	*	*	*	*	*	*	*	*	*	*	*	*	*	*	*	*	*	Bell Crank Plunger
27	414113	*	*	*	*	*	*	*	*	*	*	*	*	*	*	*	*	*	*	Rock Shaft Complete
28	545913	*	*	*	*	*	*	*	*	*	*	*	*	*	*	*	*	*	*	Rock Shaft
29	545915	*	*	*	*	*	*	*	*	*	*	*	*	*	*	*	*	*	*	Rock Shaft Crank
30	545922	*	*	*	*	*	*	*	*	*	*	*	*	*	*	*	*	*	*	Rock Shaft Stop Dog
31	545921	*	*	*	*	*	*	*	*	*	*	*	*	*	*	*	*	*	*	Rock Shaft Spring
32	544895	*	*	*	*	*	*	*	*	*	*	*	*	*	*	*	*	*	*	Rock Shaft Knee Arm
33	545918	*	*	*	*	*	*	*	*	*	*	*	*	*	*	*	*	*	*	Rock Shaft Knee Arm Hub
34	414115	*	*	*	*	*	*	*	*	*	*	*	*	*	*	*	*	*	*	Rock Shaft Knee Arm Plate Complete
35	543823-001	*	*	*	*	*	*	*	*	*	*	*	*	*	*	*	*	*	*	Rock Shaft Thrust Washer (2)

PARTS AVAILABLE AT EXTRA CHARGE



VERTICAL TRIMMER FITTINGS--APPLICABLE FOR

591D205AD/AF, 215BD/BF, 215GD/GF, 305AD/AF, 315BD/BF, 315GD/GF



TRIM MARGIN	THROAT PLATE COMPLETE	CUTTER BAR	THROAT PLATE SLIDE	PRESSER FOOT COMPLETE	FEED DOG (215) BD/BF (315) GD/GF	FEED DOG (205) AD (305) AF	NEEDLEBAR COMPLETE 205 AD/AF 215 GD/GF	NEEDLEBAR COMPLETE 305 AD/AF 315 GD/GF
* 1/16"	414459-004(S.N.H.)	414046-004(S.N.H.)	410960	522689-004	414460	414460	410903	—
1/16"	414040-004(S.N.H.)	414046-004(S.N.H.)	410960	522689-004	414358	149025	410903	410901
3/32"	414040-006(S.N.H.)	414047-006(S.N.H.)	410961	522683-006	414039	522674	410903	410901
3/32"	414041-006(L.N.H.)	414048-006(L.N.H.)	410961	522683-006	414039	522674	410903	410901
1/8"	414042-008(S.N.H.)	414049-008(S.N.H.)	410961	522683-008	414039	522674	410932	410931
1/8"	414043-008(L.N.H.)	414050-008(L.N.H.)	410961	522683-008	414039	522674	410932	410931
5/32"	414042-010(S.N.H.)	414049-010(S.N.H.)	410961	522683-010	414039	522674	410932	410931
5/32"	414043-010(L.N.H.)	414050-010(L.N.H.)	410961	522683-010	414039	522674	410932	410931
3/16"	414042-012(S.N.H.)	414049-012(S.N.H.)	410961	522680-012	414039	522674	410932	410931
3/16"	414043-012(L.N.H.)	414050-012(L.N.H.)	410961	522680-012	414039	522674	410932	410931
1/4"	414042-016(S.N.H.)	414049-016(S.N.H.)	410961	522680-016	414039	522674	410932	410931
1/4"	414043-016(L.N.H.)	414050-016(L.N.H.)	410961	522680-016	414039	522674	410932	410931
5/16"	414044-020(S.N.H.)	414051-020(S.N.H.)	410961	522680-020	414039	522674	410932	410931
5/16"	414045-020(L.N.H.)	414052-020(L.N.H.)	410961	522680-020	414039	522674	410932	410931

NOTE: 1) S.N.H. - SMALL NEEDLE HOLE. L.N.H. - LARGE NEEDLE HOLE  
2) \* - UNIQUE TO 205 & 215 MACHINES

591 MODEL														601 MODEL						
GROUP	VARIETY	GROUP	VARIETY	GROUP	VARIETY	GROUP	VARIETY	GROUP	VARIETY	GROUP	VARIETY	GROUP	VARIETY	GROUP	VARIETY	GROUP	VARIETY			
A	D203AD	D	D305AF	d	D240BD	P	D318BF	K	D300GD	R	C240AF	U	C240BD	V	C200GF	Y	UX100AF	b	D100AD	
B	D203AF	I	D308AD	e	D240BF	d	D200GD	L	D300GF	S	C300AD	V	C240BF	U	C210GD	Z	UX301AF		Y	D100AF
C	D205AD	J	D308AF	K	D300BD	e	D200GF	K	D310GD	T	C300AF	W	C300BD	V	C210GF	Z	UX302AF		d	D100BD
D	D205AF	d	D200BD	L	D300BF	d	D210GD	L	D310GF	S	C308AD	X	C300BF	U	C240GD	e	UX100BF			D100BF
E	D240AD	e	D200BF	K	D310BD	e	D210GF	M	D315GD	T	C308AF	W	C310BD	V	C240GF	L	UX312BF		d	D100GD
F	D240AF	d	D210BD	L	D310BF	M	D215GD	N	D315GF	U	C200BD	X	C310BF	W	C300GD	a	UX313BF		e	D100GF
G	D303AD	e	D210BF	M	D315BD	N	D215GF	Q	C200AD	V	C200BF	W	C318BD	X	C300GF	e	UX100GF			
H	D303AF	M	D215BD	N	D315BF	d	D240GD	R	C200AF	U	C210BD	X	C318BF	W	C310GD	e	UX220GF			
C	D305AD	N	D215BF	O	D318BD	e	D240GF	Q	C240AD	V	C210BF	U	C200GD	X	C310GF	L	UX312GF			

NO.	PART NO.	GROUP																										DESCRIPTION							
		A	B	C	D	E	F	G	H	I	J	K	L	M	N	O	P	Q	R	S	T	U	V	W	X	Y	Z		a	b	d	e			
1	545945	*	*	*	*	*	*	*	*	*	*	*	*	*	*	*	*	*	*	*	*	*	*	*	*	*	*	*	*	*	*	*	*	*	Box Wrench
2	52032-452	*	*	*	*	*	*	*	*	*	*	*	*	*	*	*	*	*	*	*	*	*	*	*	*	*	*	*	*	*	*	*	*	Throat Plate(large needle hole)	
2	142061-452	*	*	*	*	*	*	*	*	*	*	*	*	*	*	*	*	*	*	*	*	*	*	*	*	*	*	*	*	*	*	*	*	Throat Plate(large needle hole)	
2	142060-452	*	*	*	*	*	*	*	*	*	*	*	*	*	*	*	*	*	*	*	*	*	*	*	*	*	*	*	*	*	*	*	*	*	Throat Plate(small needle hole)
2	541599	*	*	*	*	*	*	*	*	*	*	*	*	*	*	*	*	*	*	*	*	*	*	*	*	*	*	*	*	*	*	*	*	Throat Plate	
2	540761	*	*	*	*	*	*	*	*	*	*	*	*	*	*	*	*	*	*	*	*	*	*	*	*	*	*	*	*	*	*	*	*	Throat Plate	
2	147328	*	*	*	*	*	*	*	*	*	*	*	*	*	*	*	*	*	*	*	*	*	*	*	*	*	*	*	*	*	*	*	*	*	Throat Plate
2	149225	*	*	*	*	*	*	*	*	*	*	*	*	*	*	*	*	*	*	*	*	*	*	*	*	*	*	*	*	*	*	*	*	*	Throat Plate
2	414266	*	*	*	*	*	*	*	*	*	*	*	*	*	*	*	*	*	*	*	*	*	*	*	*	*	*	*	*	*	*	*	*	*	Throat Plate
3	149057	*	*	*	*	*	*	*	*	*	*	*	*	*	*	*	*	*	*	*	*	*	*	*	*	*	*	*	*	*	*	*	*	*	Feed Dog, 21 teeth
3	543372	*	*	*	*	*	*	*	*	*	*	*	*	*	*	*	*	*	*	*	*	*	*	*	*	*	*	*	*	*	*	*	*	*	Feed Dog
3	544962	*	*	*	*	*	*	*	*	*	*	*	*	*	*	*	*	*	*	*	*	*	*	*	*	*	*	*	*	*	*	*	*	*	Feed Dog
3	414320	*	*	*	*	*	*	*	*	*	*	*	*	*	*	*	*	*	*	*	*	*	*	*	*	*	*	*	*	*	*	*	*	*	Feed Dog
3	530535	*	*	*	*	*	*	*	*	*	*	*	*	*	*	*	*	*	*	*	*	*	*	*	*	*	*	*	*	*	*	*	*	*	Feed Dog
3	414158	*	*	*	*	*	*	*	*	*	*	*	*	*	*	*	*	*	*	*	*	*	*	*	*	*	*	*	*	*	*	*	*	*	Feed Dog
3	414198	*	*	*	*	*	*	*	*	*	*	*	*	*	*	*	*	*	*	*	*	*	*	*	*	*	*	*	*	*	*	*	*	*	Feed Dog
3	414241	*	*	*	*	*	*	*	*	*	*	*	*	*	*	*	*	*	*	*	*	*	*	*	*	*	*	*	*	*	*	*	*	*	Feed Dog
3	544819	*	*	*	*	*	*	*	*	*	*	*	*	*	*	*	*	*	*	*	*	*	*	*	*	*	*	*	*	*	*	*	*	*	Feed Dog
4	540739	*	*	*	*	*	*	*	*	*	*	*	*	*	*	*	*	*	*	*	*	*	*	*	*	*	*	*	*	*	*	*	*	*	Presser Foot Complete
4	145420	*	*	*	*	*	*	*	*	*	*	*	*	*	*	*	*	*	*	*	*	*	*	*	*	*	*	*	*	*	*	*	*	*	Presser Foot Complete
4	414202	*	*	*	*	*	*	*	*	*	*	*	*	*	*	*	*	*	*	*	*	*	*	*	*	*	*	*	*	*	*	*	*	*	Presser Foot(teflon) Complete
5	410723	*	*	*	*	*	*	*	*	*	*	*	*	*	*	*	*	*	*	*	*	*	*	*	*	*	*	*	*	*	*	*	*	*	Belt Guard Complete
5	414091	*	*	*	*	*	*	*	*	*	*	*	*	*	*	*	*	*	*	*	*	*	*	*	*	*	*	*	*	*	*	*	*	*	Belt Guard Complete
5	410769	*	*	*	*	*	*	*	*	*	*	*	*	*	*	*	*	*	*	*	*	*	*	*	*	*	*	*	*	*	*	*	*	*	Belt Guard Complete
5	414093	*	*	*	*	*	*	*	*	*	*	*	*	*	*	*	*	*	*	*	*	*	*	*	*	*	*	*	*	*	*	*	*	*	Belt Guard Complete
6	544217-001	*	*	*	*	*	*	*	*	*	*	*	*	*	*	*	*	*	*	*	*	*	*	*	*	*	*	*	*	*	*	*	*	*	Belt Guard Screw(8)
7	544085	*	*	*	*	*	*	*	*	*	*	*	*	*	*	*	*	*	*	*	*	*	*	*	*	*	*	*	*	*	*	*	*	*	Belt Guard(lower) Wood Screw(2)
8	414239	*	*	*	*	*	*	*	*	*	*	*	*	*	*	*	*	*	*	*	*	*	*	*	*	*	*	*	*	*	*	*	*	*	Rotating Hook Bobbin Case Holder
8	414236	*	*	*	*	*	*	*	*	*	*	*	*	*	*	*	*	*	*	*	*	*	*	*	*	*	*	*	*	*	*	*	*	*	Position Bracket
8	414216	*	*	*	*	*	*	*	*	*	*	*	*	*	*	*	*	*	*	*	*	*	*	*	*	*	*	*	*	*	*	*	*	*	Rotating Hook Bobbin Case Holder
9	414326	*	*	*	*	*	*	*	*	*	*	*	*	*	*	*	*	*	*	*	*	*	*	*	*	*	*	*	*	*	*	*	*	*	Position Bracket
9	414328	*	*	*	*	*	*	*	*	*	*	*	*	*	*	*	*	*	*	*	*	*	*	*	*	*	*	*	*	*	*	*	*	*	Machine Pulley Complete(#64)
10	504070	*	*	*	*	*	*	*	*	*	*	*	*	*	*	*	*	*	*	*	*	*	*	*	*	*	*	*	*	*	*	*	*	*	Machine Pulley Complete(#64)
11	540796	*	*	*	*	*	*	*	*	*	*	*	*	*	*	*	*	*	*	*	*	*	*	*	*	*	*	*	*	*	*	*	*	*	Machine Pulley Set Screw(2)
12	414396	*	*	*	*	*	*	*	*	*	*	*	*	*	*	*	*	*	*	*	*	*	*	*	*	*	*	*	*	*	*	*	*	*	Needle Guard
13	414386	*	*	*	*	*	*	*	*	*	*	*	*	*	*	*	*	*	*	*	*	*	*	*	*	*	*	*	*	*	*	*	*	*	Finger Guard Set
14	374142	*	*	*	*	*	*	*	*	*	*	*	*	*	*	*	*	*	*	*	*	*	*	*	*	*	*	*	*	*	*	*	*	*	Finger Guard
15	548406	*	*	*	*	*	*	*	*	*	*	*	*	*	*	*	*	*	*	*	*	*	*	*	*	*	*	*	*	*	*	*	*	*	Finger Guard Set Screw
16	374143	*	*	*	*	*	*	*	*	*	*	*	*	*	*	*	*	*	*	*	*	*	*	*	*	*	*	*	*	*	*	*	*	*	Finger Guard Set Screw Spacer
17	414137	*	*	*	*	*	*	*	*	*	*	*	*	*	*	*	*	*	*	*	*	*	*	*	*	*	*	*	*	*	*	*	*	*	Presser Foot Nut
17	522545	*	*	*	*	*	*	*	*	*	*	*	*	*	*	*	*	*	*	*	*	*	*	*	*	*	*	*	*	*	*	*	*	*	Feed Roller(38 teeth)
17	522577	*	*	*	*	*	*	*	*	*	*	*	*	*	*	*	*	*	*	*	*	*	*	*	*	*	*	*	*	*	*	*	*	*	Feed Roller(64 teeth)
17	522579	*	*	*	*	*	*	*	*	*	*	*	*	*	*	*	*	*	*	*	*	*	*	*	*	*	*	*	*	*	*	*	*	*	Feed Roller(68 teeth)
17	522581	*	*	*	*	*	*	*	*	*	*	*	*	*	*	*	*	*	*	*	*	*	*	*	*	*	*	*	*	*	*	*	*	*	Feed Roller(44 teeth, grooved)
17	522583	*	*	*	*	*	*	*	*	*	*	*	*	*	*	*	*	*	*	*	*	*	*	*	*	*	*	*	*	*	*	*	*	*	Feed Roller(44 teeth)
18	414155	*	*	*	*	*	*	*	*	*	*	*	*	*	*	*	*	*	*	*	*	*	*	*	*	*	*	*	*	*	*	*	*	*	Feed Roller(polyurethane)
		*	*	*	*	*	*	*	*	*	*	*	*	*	*	*	*	*	*	*	*	*	*	*	*	*	*	*	*	*	*	*	*	*	Seal Compound