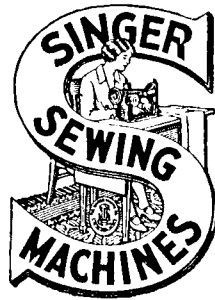


**SINGER**  
**61W77**

# LIST OF PARTS



## MACHINE No. 61w77

---

THE SINGER MANUFACTURING COMPANY

## INDEX

	PAGE
ACCESSORIES .....	13
BORBIN WINDER .....	16
KNEE LIFTER .....	17
MACHINE No. 61w77 .....	7
MISCELLANEOUS PARTS .....	18
NUMERICAL LIST OF PARTS .....	19
THREAD UNWINDER .....	18

# Instructions for Ordering

In ordering from this list, use **ONLY** the **PART** number in the **FIRST** column.

The number stamped on a Sewing Machine Part is the number of the Single Part only, except when the part includes Set Screws, Clamping Screws, Studs and Rollers Spun on, Small Wires riveted, or Parts soldered together, etc., which it is necessary to furnish in combination.

Every combination of parts sent out has its specific number which, although **not** stamped on Parts (except in above case), must be used when ordering the combination.

Each number always indicates the **SAME PART** in whatever list it appears, or for whatever Machine.

The letters after some of the numbers indicate the style of finish only, as follows:

- A. Hardened, Polished and Plated.
- B. Polished and Plated.
- C. Hardened only.
- D. Polished only.
- E. Soft, not polished.
- F. Hardened and Polished.
- H. Blued.
- J. Nickel Plated only
- R. Merlized.
- Y. Black Nickel Plated only.

These letters **MUST BE USED** when they appear in the list and **AFTER** the number, as in the list.

## In this series

- 200001 to 201500 and 350001 to 351500 are Screw Numbers.
- 201501 to 201800 and 351501 to 351800 are Nut Numbers.
- 201801 to 202000 and 350801 to 352000 are Roller Numbers.
- 202001 to 350000 are Numbers of Machine Parts.

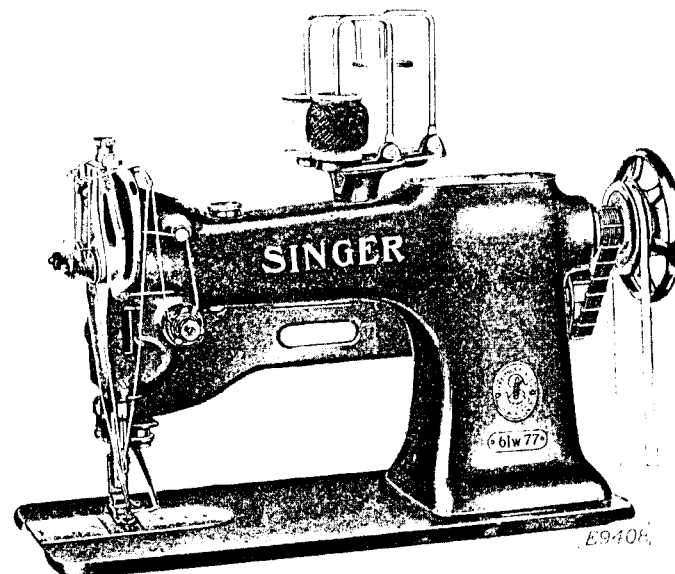
The figures in the second column refer only to the plate in which the illustration of the part is shown and are **NOT TO BE USED** in ordering.

Two or more numbers over a cut indicate that the difference between such parts is not visible in an illustration.

Parts marked with an asterisk (\*) are furnished only when repairs are made at the factory.

## LIST OF PARTS COMPLETE

FOR



## MACHINE No. 61w77

For Embroidery Work

Weaves a cord or cords into the stitches for an embroidery effect

No.	Plate	Name
*207090	—	Arm .....
*244042	—	Bracket .....
202562	10285	“ “ Brace with 200057F ....
200057F	10285	“ “ Pinch Screw ....
200330c	13396	“ “ “ Screw .....
201528E	13396	“ “ “ “ Nut .....
200558H	10285	“ “ Screw (lower) .....
350168H	13396	“ “ “ (long, upper) ....
200769E	13396	“ “ “ (short, upper) ...
201522E	10246	“ “ “ Nut (2) .....
225532	10285	“ “ “ Washer (2) .....
202563	13372	“ “ Shaft .....
202564	13396	“ “ “ Bevel Gear, 24 teeth, with two 200395c .....
200395c	13396	Arm Bracket Shaft Bevel Gear Set Screw .....

## Parts for Machine No. 61w77

No.	Plate	Name
261508	13396	Arm Bracket Shaft Collar with two 201052c .....
201052c	13396	Arm Bracket Shaft Collar Set Screw
*202569	-----	" " " Driving Pulley
200363c	10248	" " " " "
		Set Screw .....
202565	10285	Arm Bracket Shaft Pulley with 202253 and two 200394c .....
202566	13372	Arm Bracket Shaft Pulley Belt
200394c	13396	" " " " Set Screw .....
202253	10244	Arm Bracket Shaft Pulley Spring Flange .....
202247	13372	Arm Cap .....
200278H	10244	" " Screw .....
202248	10244	" " Washer .....
204235	13392	" Position Pin (2) .....
200010E	10245	" Screw (3) .....
202005	10245	" Washer (3) .....
202567	13372	" Shaft with 200367E and 224392
203159	13372	" " Bushing (back) with 202244 .....
202244	---	Arm Shaft Bushing (back) Oil Packing (wick) .....
200338c	10244	Arm Shaft Bushing (back) Set Screw .....
207080	13372	Arm Shaft Bushing (front) with 202244 .....
202244	---	Arm Shaft Bushing (front) Oil Packing (wick) .....
200502B	10246	Arm Shaft Bushing (front) Oil Packing Thumb Screw .....
200338c	10244	Arm Shaft Bushing (front) Set Screw .....
202530	13372	Arm Shaft Connection Belt .....
202252	10244	" " " " Pulley with 200327c, 200602E and two 202253 .....
200602E	10244	Arm Shaft Connection Belt Pulley Position Screw .....
200327c	10244	Arm Shaft Connection Belt Pulley Set Screw .....
202253	10244	Arm Shaft Connection Belt Pulley Spring Flange .....
224392	-----	Arm Shaft Oil Packing (wick) .....
200367E	13396	" " " " Stop Screw (left hand) .....

## Parts for Machine No. 61w77

No.	Plate	Name
*202568	---	Balance Wheel (belt groove 2 1/2 in. diam.) .....
202962	13374	Balance Wheel complete, Nos. 202568, 202569 and two 200363c..
*207081	----	Bed .....
207082	13397	" Plate (back) .....
200577H	10245	" " " Screw .....
207083	13397	" Slide (front) .....
202265	13392	Bobbin .....
*202806	----	" Case .....
202267	13392	" " Latch .....
*202056	----	" " " Pin .....
202269	13392	" " " Plunger .....
202270	13392	" " " Spring .....
202716	13392	" " Tension Spring .....
200984c	13392	" " " " Regulat- ing Screw .....
200594c	13392	Bobbin Case Tension Spring Screw
202533	13396	Bobbin Case complete, Nos. 200594c, 200984c, 202056, 202267, 202269, 202270, 202716 and 202806 .....
236097	13396	Cord Guide .....
200174H	13396	" " Screw .....
202572	13396	" " Pin .....
244043	13396	" Guiding Arm .....
244044	13396	" " " Bracket with 200061c .....
200061c	13396	Cord Guiding Arm Bracket Pinch Screw .....
350296c	13396	Cord Guiding Arm Hinge Screw ..
201516E	10285	" " " " " Nut
244045	13397	" " Eccentric Shaft .....
202564	13396	" " " " Bevel Gear, 24 teeth, with two 200395c
202575	13397	Cord Guiding Eccentric Shaft Bevel Gear Guard .....
200564c	13396	Cord Guiding Eccentric Shaft Bevel Gear Guard Screw .....
200395c	13396	Cord Guiding Eccentric Shaft Bevel Gear Set Screw .....
213639	13396	Cord Guiding Eccentric Shaft Collar with 200380c .....
200380c	13396	Cord Guiding Eccentric Shaft Collar Set Screw .....
202577	13397	Cord Tension Bracket .....
200164D	13396	" " " Screw .....
244048	10247	" " Disc .....
202572	13396	" " " Stop Pin .....
202579	13399	" " Spring .....

## Parts for Machine No. 61w77

No.	Plate	Name
202580	13399	Cord Tension Spring Washer .....
200618R	13399	" " Stud .....
201572R	10881	" " " Thumb Nut .....
202960	—	Cord Tension Bracket complete, Nos. 202577, two each 200164R, 200174R, 200618R, 201572R, 202579, 202580, 236097, four each 202572 and 244048 .....
202581	—	Face Plate .....
202961	13374	Face Plate complete, Nos. 202581 and 202960 .....
202135	10245	Face Plate Position Pin .....
200462R	10245	" " Thumb Screw .....
202275	13398	Feed Bar .....
200641C	10246	" " Hinge Screw (driving)..
201522E	10246	" " " " Nut .....
202276	10245	" " Slide Block .....
202298	10245	" " " " Crank with 200038C .....
203124	—	Feed Bar Slide Block Crank 202298 with 200205E, 201518E and 202276
200038C	10245	Feed Bar Slide Block Crank Pinch Screw .....
200205E	10245	Feed Bar Slide Block Hinge Screw
201518E	10245	" " " " " " "
		Nut .....
202282	13399	Feed Dog, for 202818 .....
200106E	10245	" " Screw (2) .....
202297	13374	" Driving Connection with 200054E and 202277 .....
202298	10245	Feed Driving Connection Crank with 200038C .....
200038C	10245	Feed Driving Connection Crank Pinch Screw .....
200545C	10245	Feed Driving Connection Hinge Screw .....
201518E	10245	Feed Driving Connection Hinge Screw Nut .....
202277	—	Feed Driving Connection Oil Pack- ing (wick) .....
200054E	10246	Feed Driving Connection Pinch Screw .....
202300	10246	Feed Driving Eccentric Regulating Bracket .....
203134	—	Feed Driving Eccentric Regulating Bracket 202300 with 202252, two each 201014C and 201525E .....
201014C	10245	Feed Driving Eccentric Regulating Bracket Hinge Screw .....

## Parts for Machine No. 61w77

No.	Plate	Name
201525E	10245	Feed Driving Eccentric Regulating Bracket Hinge Screw Nut .....
202301	10246	Feed Driving Eccentric Regulating Bracket Plunger .....
202595	10246	Feed Driving Eccentric Regulating Bracket Plunger Spring .....
200607C	10246	Feed Driving Eccentric Regulating Bracket Plunger Spring Stop Screw .....
201014C	10245	Feed Driving Eccentric Regulating Bracket Stop Screw .....
201525E	10245	Feed Driving Eccentric Regulating Bracket Stop Screw Nut .....
200429C	10246	Feed Driving Eccentric Regulating Screw .....
200383C	10246	Feed Driving Eccentric Regulating Screw Check Screw .....
202303	13374	Feed Driving Rock Shaft .....
206860	—	" " " " 202303 with 200641C, 201522E and 202275 .....
202305	10245	Feed Driving Rock Shaft Center (2)
200043C	10246	" " " " " Set Screw (2) .....
202306	13374	Feed Lifting Connection with 200054E and 202277 .....
202307	10246	Feed Lifting Connection Eccentric with 200382C and 200437C .....
200437C	10246	Feed Lifting Connection Eccentric Position Screw .....
200382C	13399	Feed Lifting Connection Eccentric Set Screw .....
200545C	10245	Feed Lifting Connection Hinge Screw .....
201518E	10245	Feed Lifting Connection Hinge Screw Nut .....
202277	—	Feed Lifting Connection Oil Pack- ing (wick) .....
200054E	10246	Feed Lifting Connection Pinch Screw .....
202308	13374	Feed Lifting Rock Shaft .....
202305	10245	" " " " Center (2)
200043C	10246	" " " " " Set Screw (2) .....
202582	13397	Feed Regulating Spindle with 202583 and 202619 .....
*202583	—	Feed Regulating Spindle Head ....
202619	13392	" " " " Posi- tion Pin .....

## Parts for Machine No. 61w77

No.	Plate	Name
*244010	—	Hook (sewing) .....
244011	13397	" 244010 with 200145c, 200596F, 200614c, 202320, 203101, 206775, 206852 and 244014 .....
244012	—	Hook and Bobbin Case complete, Nos. 202533 and 244011 .....
244013	13392	Hook Counter Balance with 200444c
200444c	13392	" " " Position Screw
206852	13392	" GIB .....
200614c	13392	" " Hinge Screw .....
200596F	13392	" " Screw .....
203101	—	" Oil Wick .....
*202320	—	" Shaft, 11 <sup>7</sup> / <sub>16</sub> in. long .....
202321	10245	" " Bushing (back) .....
200346c	10245	" " " " Set Screw
202322	10245	" " " (front) .....
200346c	10245	" " " " Set Screw ..
202323	10244	" " Connection Belt Pulley with 202324 and two 201018c ....
201018c	13392	Hook Shaft Connection Belt Pulley Set Screw .....
202324	10244	Hook Shaft Connection Belt Pulley Spring Flange .....
202260	—	Hook Shaft Oil Packing (wick) (2)
206775	13392	" " Pin .....
244014	13392	" Washer .....
200145c	13392	" " Screw .....
237837	13398	Knee Lifter Connection Lever .....
202447	13398	" " " " Lift- ing Rod with 202302 .....
202302	10248	Knee Lifter Connection Lever Lift- ing Rod Cotter Pin .....
244034	13398	Knee Lifter Lifting Lever .....
202326	10248	Needle Bar with 200141F .....
202327	10248	" " Bushing .....
203123	—	" " " 202327 with 202326
200352c	10248	" " " Set Screw .....
202331	10248	" " Connecting Link .....
236073	13392	" " " " Oil Guard .....
200161b	10247	Needle Bar Connecting Link Oil Guard Screw .....
202333	10248	Needle Bar Connecting Link Stud with 202254 .....
202254	—	Needle Bar Connecting Link Stud Oil Packing (wick) .....
200374c	13399	Needle Bar Connecting Link Stud Set Screw .....

## Parts for Machine No. 61w77

No.	Plate	Name
*206891	—	Needle Bar Connecting Stud .....
202329	10248	" " " " 206891 with 200086c and 202330 .....
202330	—	Needle Bar Connecting Stud Oil Packing (wick) .....
200086c	10248	Needle Bar Connecting Stud Pinch Screw .....
202328	13398	Needle Bar Crank with 200335c, 200428c, 202333 and two 200374c
203117	—	Needle Bar Crank 202328 with 202329, 202331 and 202398 to 202400
203172	10248	Needle Bar Crank Friction Washer
200428c	10248	" " " Position Screw ..
200335c	10244	" " " Set Screw .....
200141F	10248	" Set Screw .....
244033	—	Presser Bar (hollow) .....
202335	13398	" " 244033 with 200074F ..
207072	10249	" " Pushing .....
200352c	10248	" " " Set Screw ....
202339	10249	" " Lifter .....
200653c	10249	" " " Hinge Screw ...
244004	10249	" " Lifting Releasing Lev- er Bracket .....
200260b	10249	Presser Bar Lifting Releasing Lev- er Bracket Guide Screw .....
206608	10249	Presser Bar Lifting Releasing Lev- er Bracket Spring (spiral) .....
202337	10249	Presser Bar Position Guide .....
202338	10249	" " " " Lever with 200086F .....
200086F	10248	Presser Bar Position Guide Lever Pinch Screw .....
200352c	10248	Presser Bar Position Guide Set Screw .....
202343	13399	Presser Bar Spring (light) .....
202346	10249	" " " Stop Rod .....
200492B	10249	" " Thumb Screw (pres- sure regulating) .....
200475B	13399	Presser Bar Thumb Screw Thumb Set Screw .....
202355	13399	Presser Bar Thumb Screw Thumb Set Screw Packing (brass) .....
202090	13399	Presser Foot Hinge Pin .....
244046	—	" " Plate .....
202923	—	" " Shank .....
200074F	10249	" " Screw .....
244047	13399	Presser Foot (hinged) complete, Nos. 202090, 202923 and 244046 ..

## Parts for Machine No. 61w77

No.	Plate	Name
202068	13374	Spool Holder Base .....
206541	13374	" " " Bracket .....
200265E	13399	" " " " Screw ...
206542	13374	Spool Holder Base Bracket complete, Nos. 206541, three each 200575H and 204297 .....
200575H	13399	Spool Holder Base Screw .....
204296	13374	" " Wire .....
200079H	13399	" " " Hinge Screw ....
204297	---	Spool Holder complete, Nos. 200079H, 202068 and 204296 .....
202397	13399	Take-up (auxiliary) .....
200842E	13399	" " Screw .....
202398	10247	" Lever .....
202399	10247	" " Driving Stud with 202277 .....
202277	---	Take-up Lever Driving Stud Oil Packing (wick) .....
202400	10247	Take-up Lever Hinge Stud with 202423 .....
202423	---	Take-up Lever Hinge Stud Oil Packing (wick) .....
200383C	10246	Take-up Lever Hinge Stud Set Screw .....
202401	10247	Take-up Lever Oiling Felt .....
200132E	10247	" " " " Screw ..
244048	10247	Tension Disc (back) .....
244049	10247	" " (front) .....
202404	10247	" Release Plunger .....
202405	10247	" " Washer .....
202407	10881	" Spring .....
200625F	10247	" Stud with 204925 .....
200061C	13396	" " Set Screw .....
204925	13399	" " Washer .....
201572B	10881	" Thumb Nut .....
202409	10252	Tension complete, Nos. 200625F, 201572B, 202405, 202407, 202410, 244048 and 244049 .....
202410	10252	Thread Controller Spring .....
202411	10252	" " " Stop ....
200132E	10247	" " " " Screw
202413	10252	" Guide .....
202414	10252	" " .....
202415	10252	" " .....
202417	10252	" " .....
200582H	10252	" " Screw .....
200355H	10252	" " Set Screw .....
200368H	13399	" " " " .....
202091	10252	" Retainer Sleeve .....
202092	10252	" " Spring .....

## Parts for Machine No. 61w77

No.	Plate	Name
204058	10252	Thread Retainer Stud .....
200368H	13399	" " " Set Screw ..
204059	---	Thread Retainer complete, Nos. 202091, 202092 and 204058 .....
202818	13399	Throat Plate, 50 needle hole, for needle sizes 14 and 15, with 202534, 202619 and two 200583H, for 202282 .....
202534	13399	Throat Plate Bobbin Case Stop
202619	13392	" " " " " " Position Pin .....
200583H	13399	Throat Plate Bobbin Case Stop Screw .....
200577H	10245	Throat Plate Screw (2) .....

## ACCESSORIES

No.	Plate	Name
200157B	13399	Attachment Screw .....
202265	13392	Bobbin .....
*225482	-----	" Case Screw Driver Blade ...
*225483	-----	" " " " Handle ...
225497	14334	Bobbin Case Screw Driver complete, Nos. 225482 and 225483 ...
12361	14334	Machine Hinge Connection .....
135 x 5	-----	Needles, three each, sizes 12 and 14
228212	-----	Drip Pan (short) with four 1 in. wire nails .....
41400	14334	Machine Rest Pin (wood) .....
120342	14334	Oiler (copper plated) with 120343
120343	14334	" Spout, 3½ in. long .....
*225484	-----	Screw Driver Blade .....
*225485	-----	" " " " Handle .....
225498	14334	Screw Driver complete (7½ in. long), Nos. 225484 and 225485 ...
225554	14334	Wrench (steel) .....

### BOBBIN WINDER

#### Swing Automatic, Right Hand

225453	10884	Frame with 202277 and 225438 ....
225454	10884	" Hinge Pin .....
202277	-----	" Oil Packing (wick) .....
225438	10884	" " Well Cap .....
225455	10884	" Spring .....
225456	10884	" " Plunger .....
202473	10885	Pulley with 200380c .....
200380c	13396	" Set Screw .....
225381	10884	Spindle .....
225444	10884	Stop Latch .....
200056E	10884	" " Screw .....
225458	10884	" " Thumb Lever .....
225459	10884	" " " " Hinge Stud
225459	10884	" " " " Joint Stud
202478	10884	" " Trip Lever .....
200299H	10884	" " " " Hinge Screw
225461	10881	Tension Bracket with 201499B ....
200082D	10881	" " Screw .....
228026	10884	" " " Washer .....
2102	10881	" Disc .....

### Accessories

No.	Plate	Name
202407	10881	Tension Spring .....
201499B	10881	" Stud .....
201572.3	10881	" " Thumb Nut .....
225462	10881	Bobbin Winder Tension Bracket complete, Nos. 201572B, 202407, 225461 and two 2102 .....
225433	10885	Bobbin Winder and Tension Bracket Base .....
225382	10885	Universal Bobbin Winder complete, Nos. 200056E, 200082D, 200299H, 202473, 202478, 225381, 225433, 225444, 225453 to 225456, 225458, 225462, 228026, two each 225459 and wood screws ¾ in., No. 12, R.H.B. ....

### KNEE LIFTER

2763	13395	Rock Shaft .....
228278	13395	" " Hanger (back) with 356c .....
228279	-----	Rock Shaft Hanger 228278 with 202452 and 228282 .....
228280	13395	Rock Shaft Hanger (front) with two 356c .....
228281	-----	Rock Shaft Hanger 228280 with 202452 and 228282 .....
228282	13395	Rock Shaft Hanger Bracket with two wood screws ¾ in., No. 12 ...
202452	13399	Rock Shaft Hanger Hinge Pin ....
202455	13395	" " Knee Arm .....
356c	13399	" " " " Set Screw ..
228284	13395	" " " Plate with 356c ..
356c	13399	" " " " Set Screw ..
228283	13395	" " Lifting Lever with two 356c .....
227728	13395	Rock Shaft Lifting Lever Rod with 227729 .....
227729	-----	Rock Shaft Lifting Lever Rod Cap
356c	13399	" " " " " Set Screw .....
356c	13399	Rock Shaft Lifting Lever Set Screw
356c	13399	" " Set Screw .....
228285	13395	Knee Lifter Rock Shaft complete, Nos. 2763, 202455, 227728, 228279, 228281, 228283 and 228284 .....



## Accessories

## THREAD UNWINDER

No.	Plate	Name
225323	14083	Spool Rest (for one spool) with 201018c .....
225325	14083	Spool Rest (for two spools) with 201018c .....
225388	14083	Spool Rest Rod .....
200383c	10246	" " " Set Screw .....
201018c	13392	" " " Set Screw .....
202490	14083	" Stand with 200383c .....
225391	14083	Thread Guide .....
201696r	13399	" " Lock Nut .....
225326	13399	" " Position Cup .....
225324	14083	" " Rod with 208E and 225322 .....
208E	13399	Thread Guide Rod Screw .....
225322	13399	" " " Washer .....
225397	14083	Thread Unwinder (for three spools) complete, Nos. 201696r, 202490, 225323 to 225326, 225388, three each 225391 and wood screws 3/4 in., No. 12 .....

## MISCELLANEOUS PARTS

Used in conjunction with Thread Unwinder

27739	13398	Thread Cone (wood) .....
60913	14083	Spool Weight with 60914 .....
60914	—	" " Center Pin .....
225377	14083	" Wire, for small spools .....

## PLATE 10244—FULL SIZE

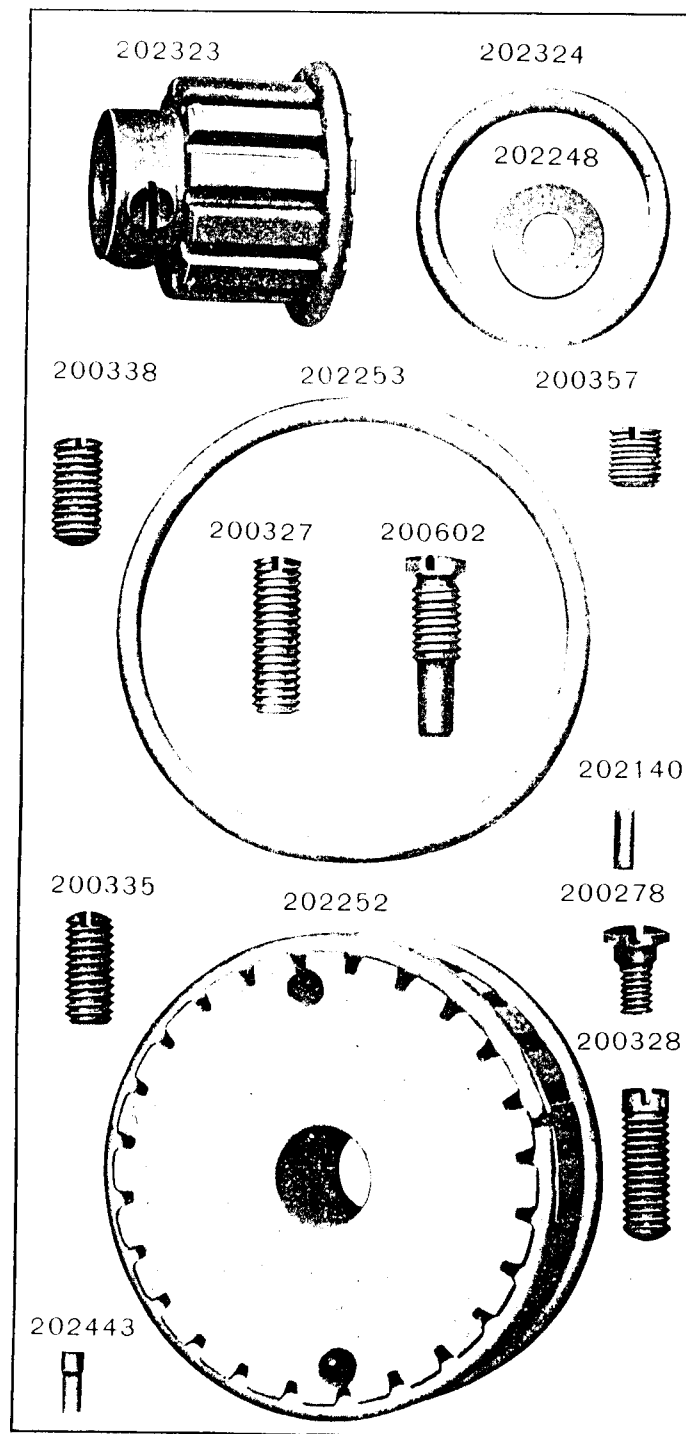


PLATE 10245—FULL SIZE

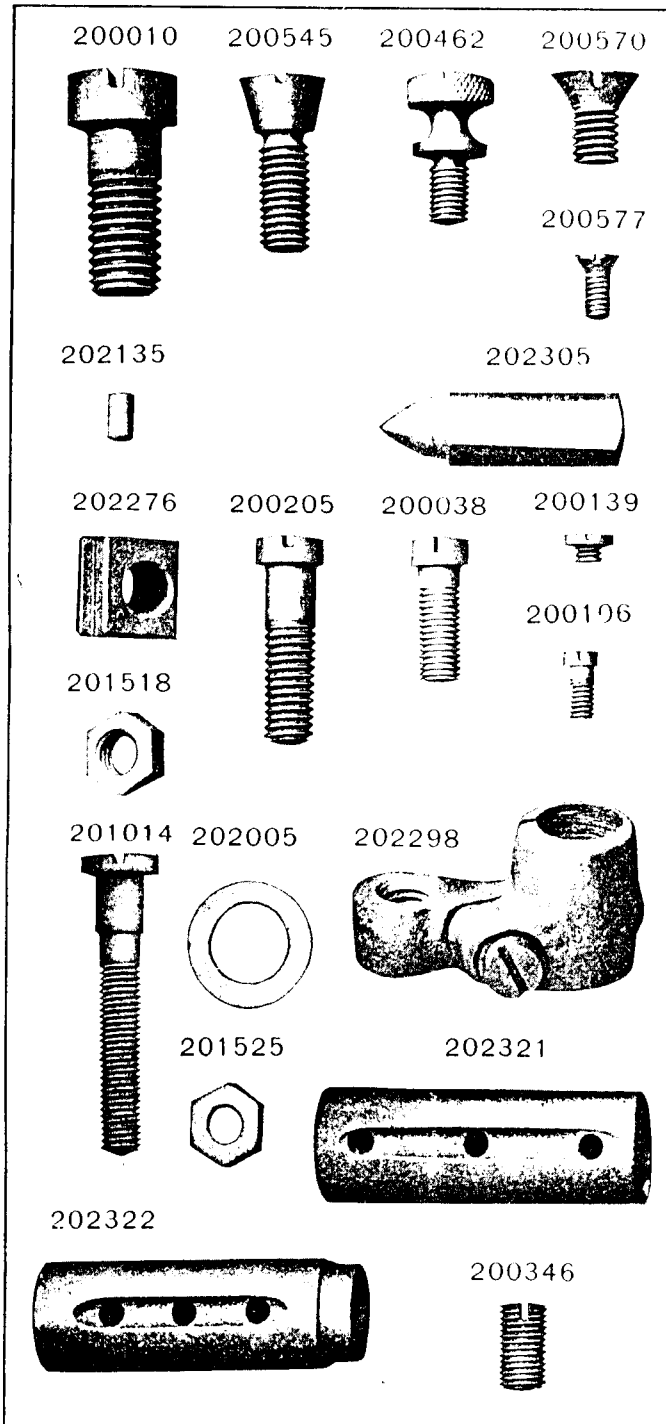


PLATE 10246—FULL SIZE

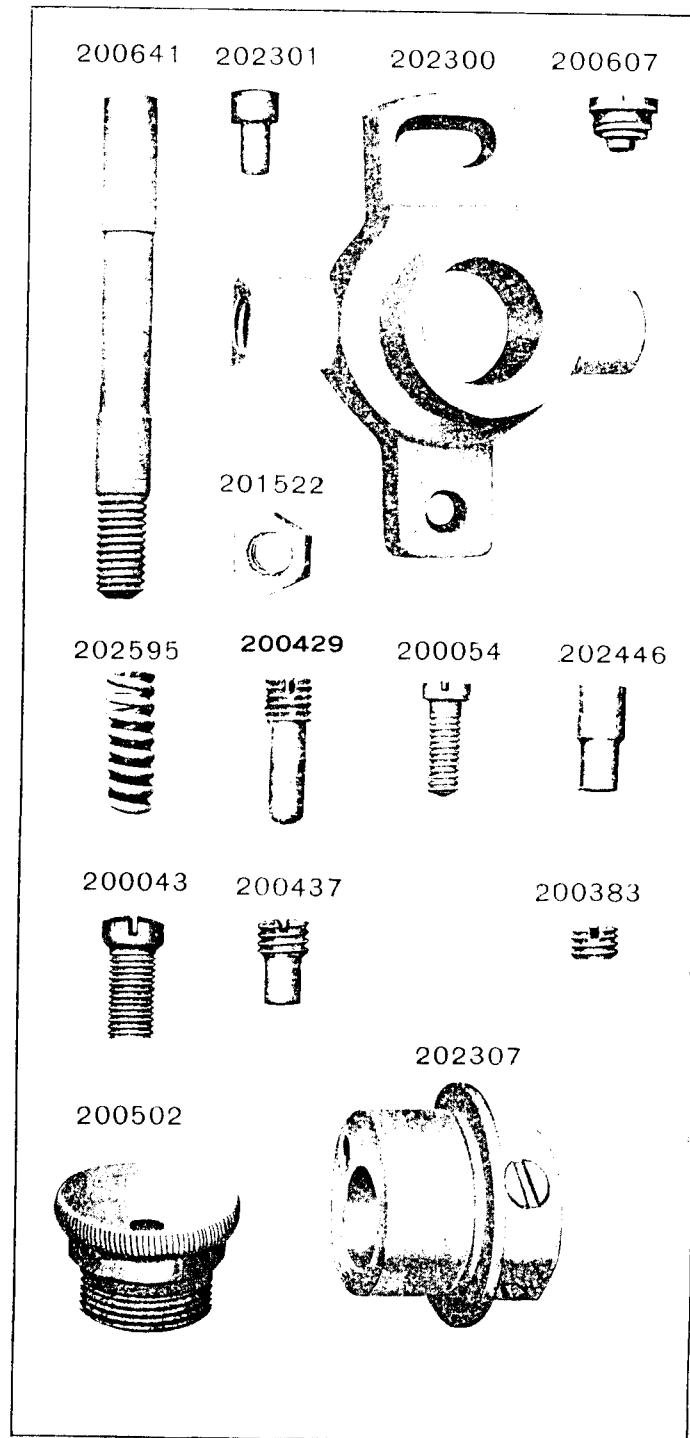


PLATE 10247—FULL SIZE

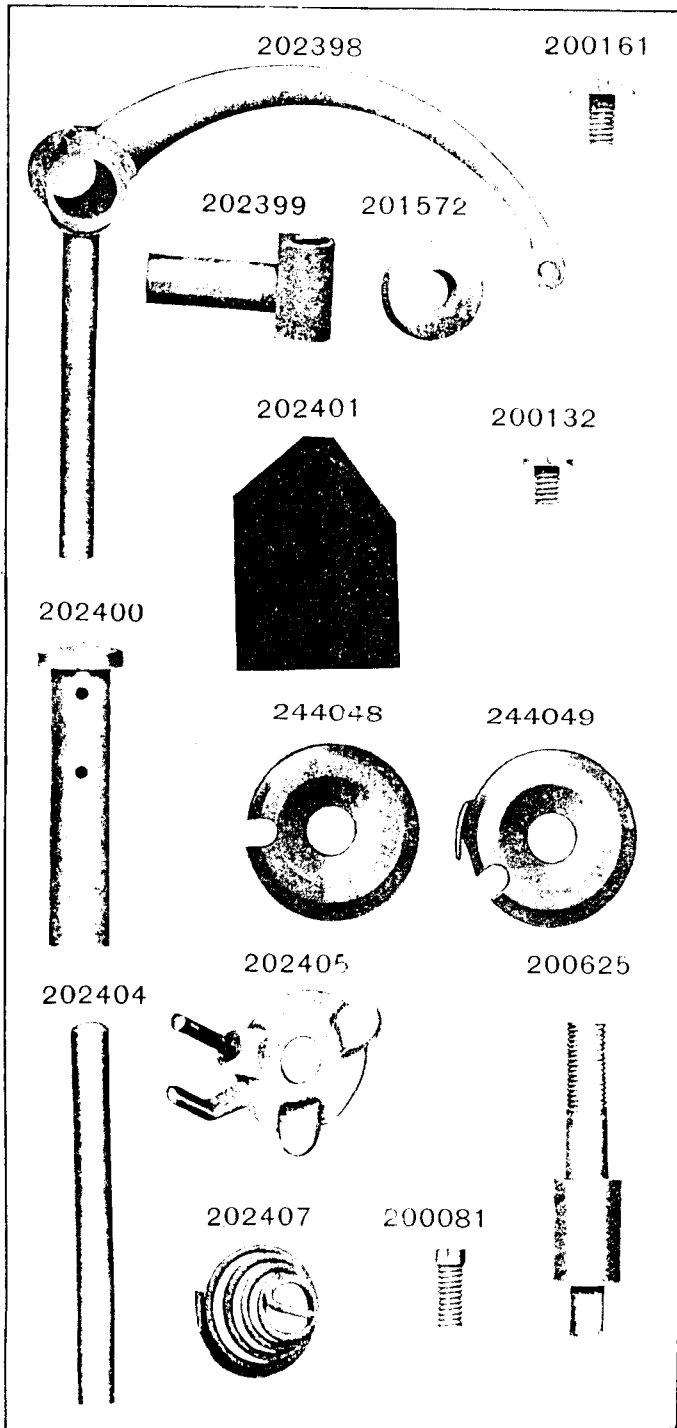


PLATE 10248—FULL SIZE

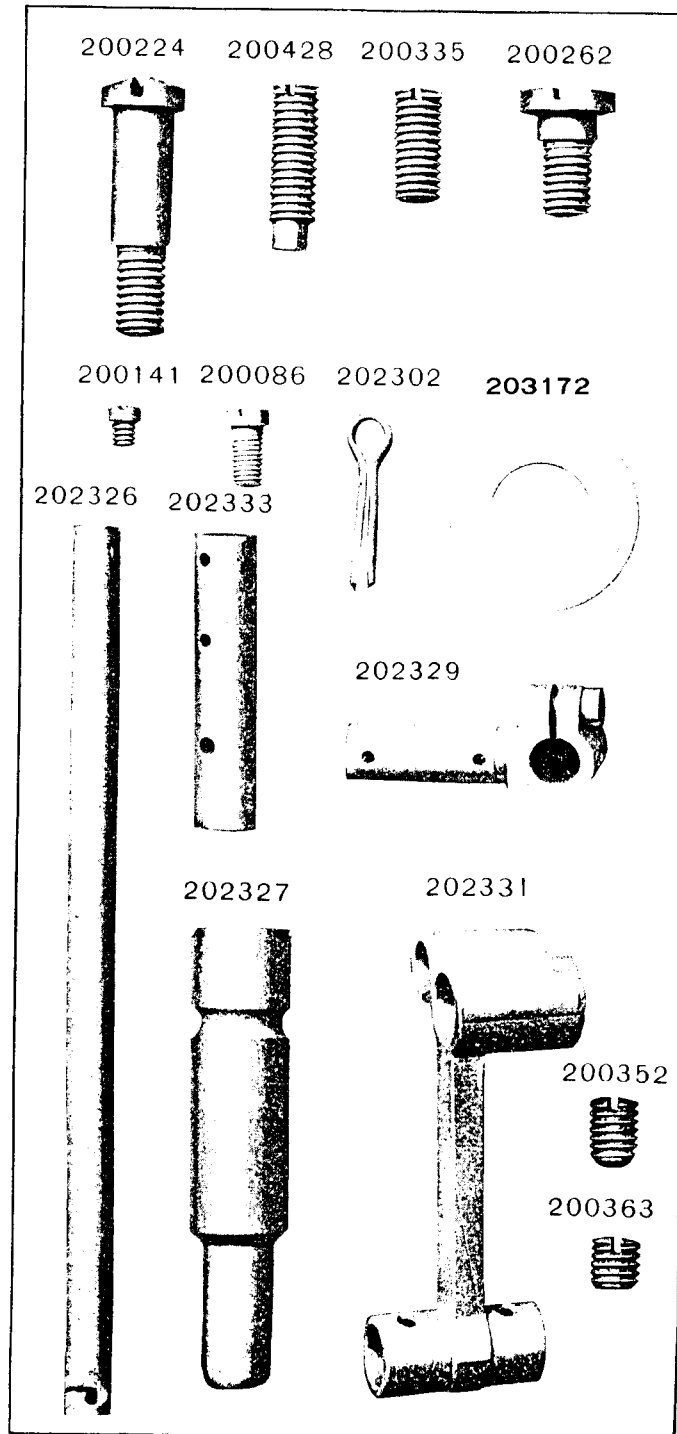


PLATE 10249—FULL SIZE

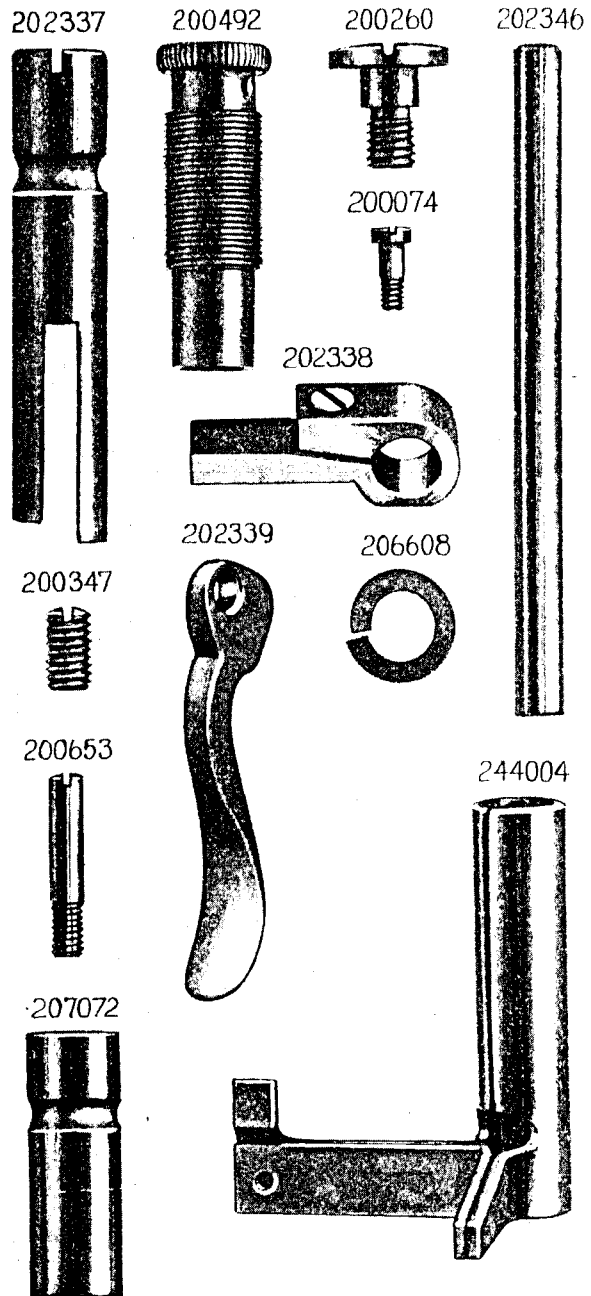


PLATE 10252—FULL SIZE

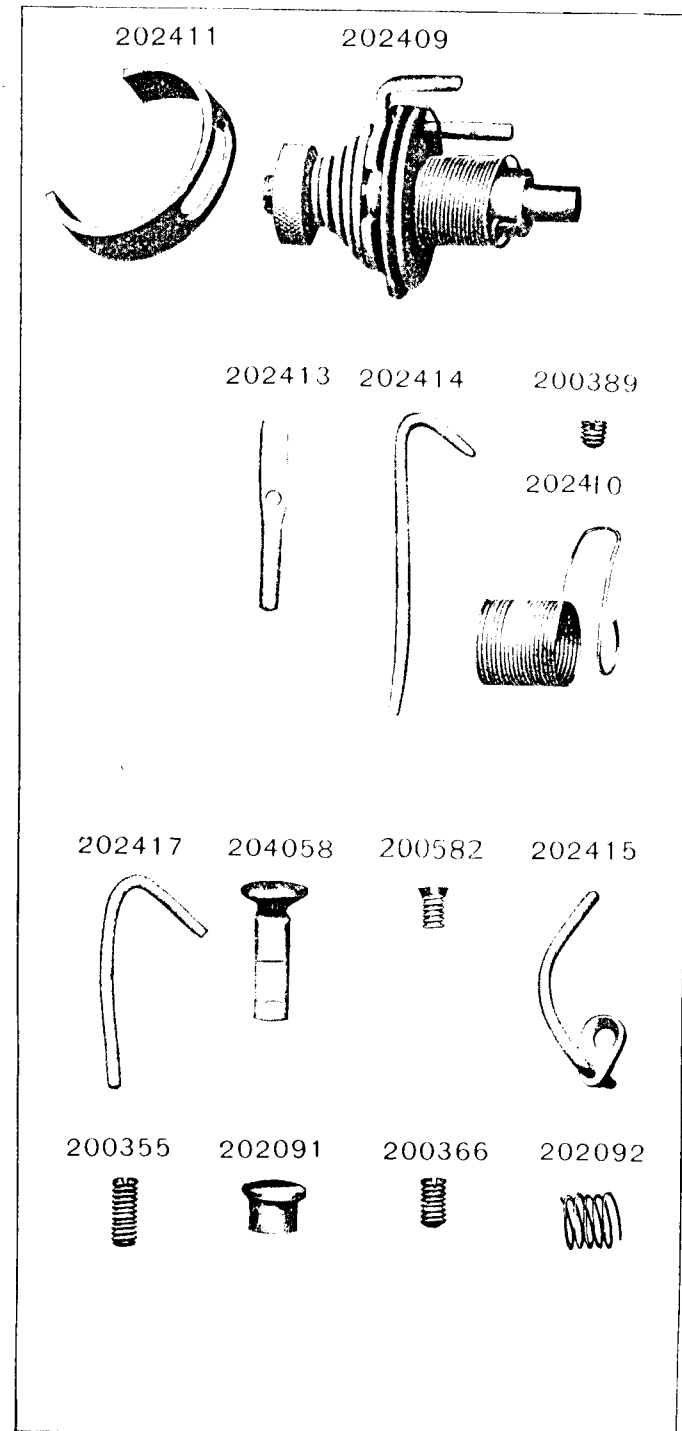
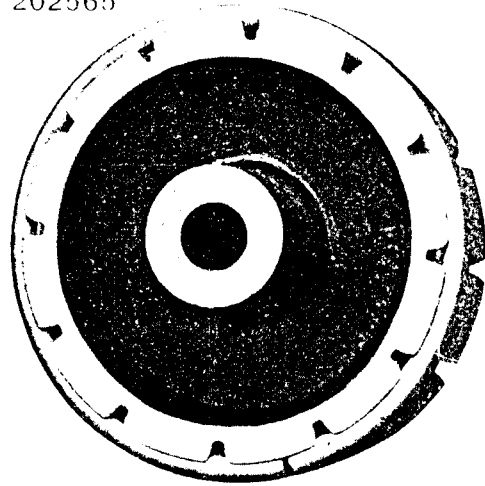
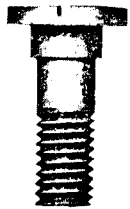


PLATE 10285—FULL SIZE

202565



200231



200057



201516



201522



200055



200558



200759



200769



225532



202562

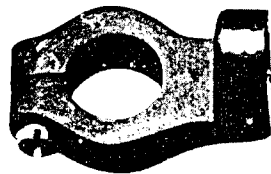
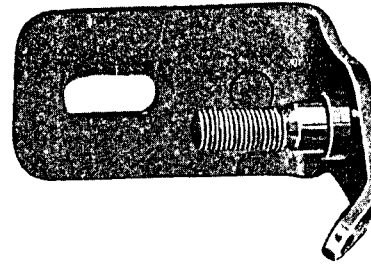


PLATE 10881—FULL SIZE

225461



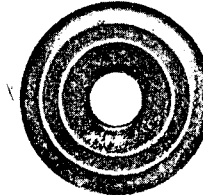
200082



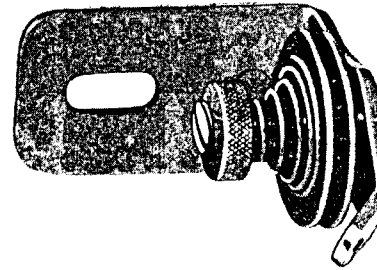
202104



2102



225462



202407



201499



201572



PLATE 10884—FULL SIZE

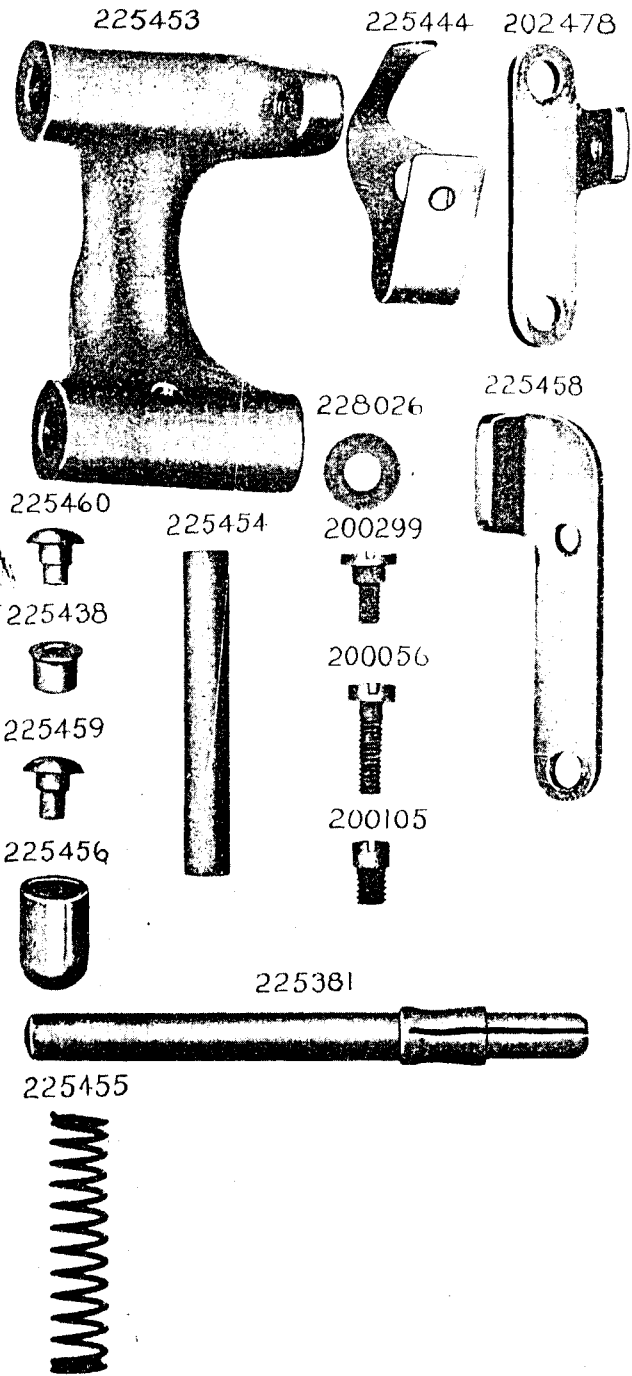


PLATE 10885—ONE-FOURTH SIZE

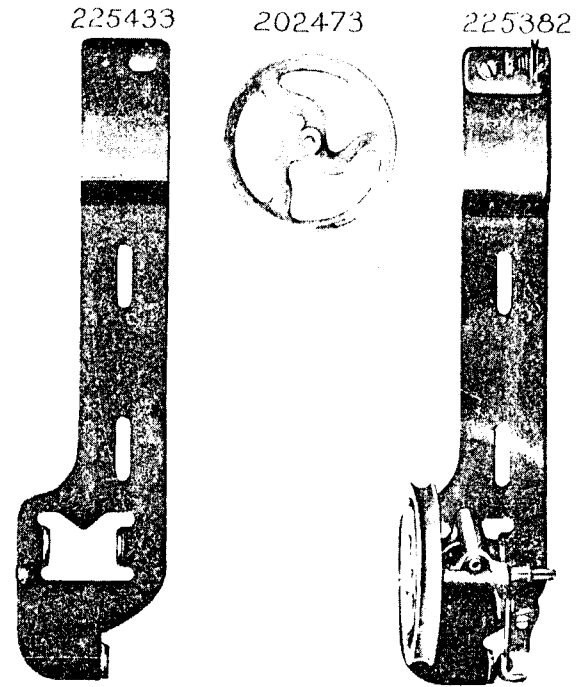
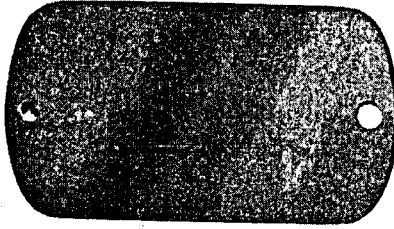


PLATE 13372—ONE-HALF SIZE

202567



202247



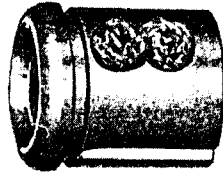
202563



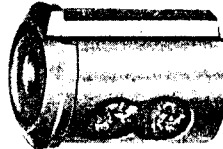
202530



203159



207080



202566



PLATE 13374—ONE-FOURTH SIZE

202303



202306



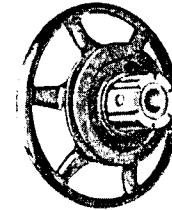
202297



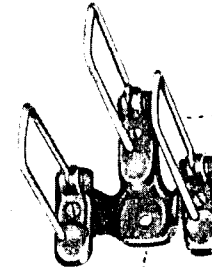
202961



202962



206542



202308



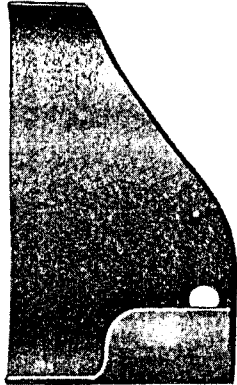
204296

202068

206541

PLATE 13392—FULL SIZE

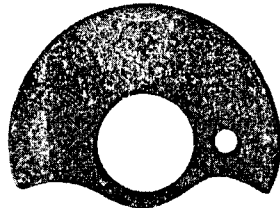
236073



201018



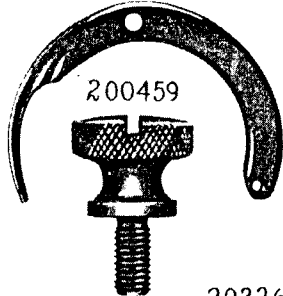
244014



244013

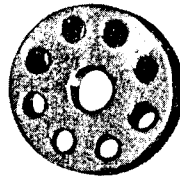


206852



200459

202265



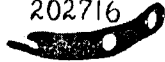
204235



202270



202716



200054



202269



200145



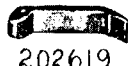
200614



200596



202267



202619



200594



200984



206775



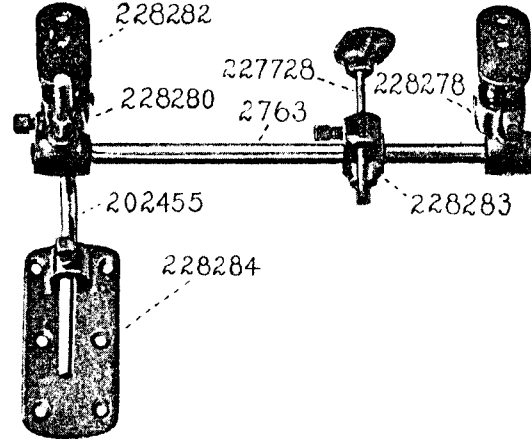
200444



PLATE 13395—ONE-FOURTH SIZE

228285

228282



228282

227728

228280

2763

228278

202455

228283

228284



PLATE 13396—FULL SIZE

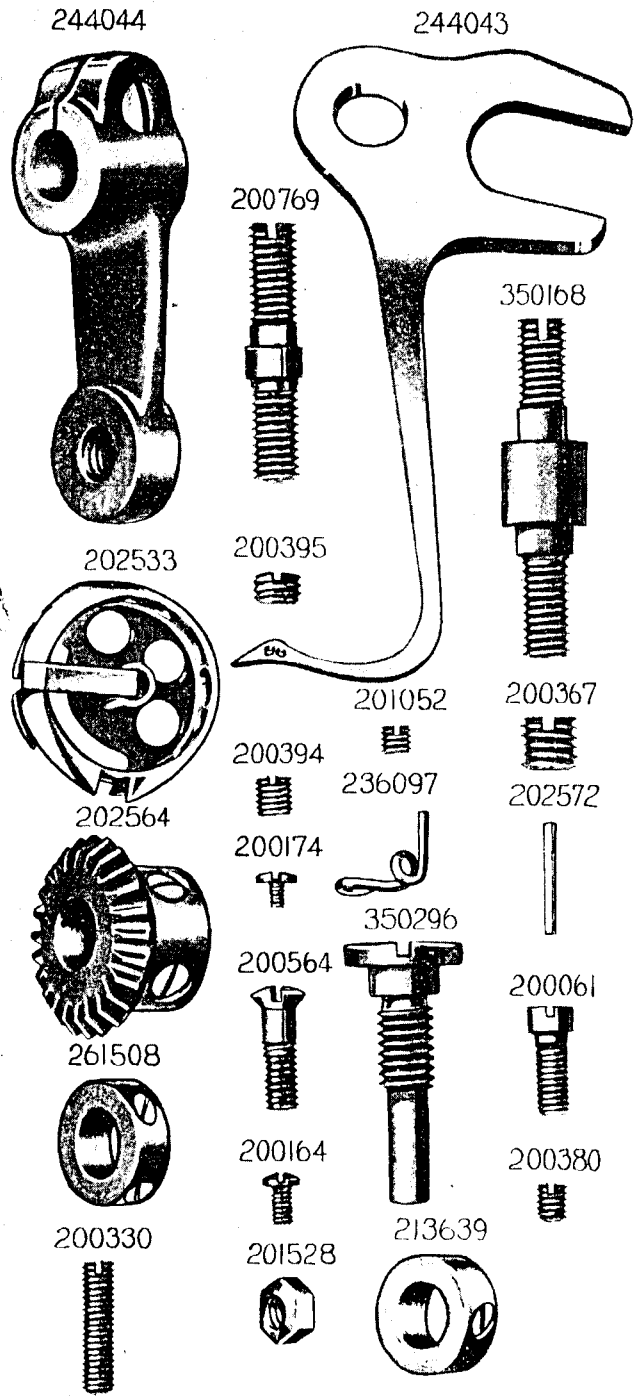


PLATE 13397—ONE-HALF SIZE

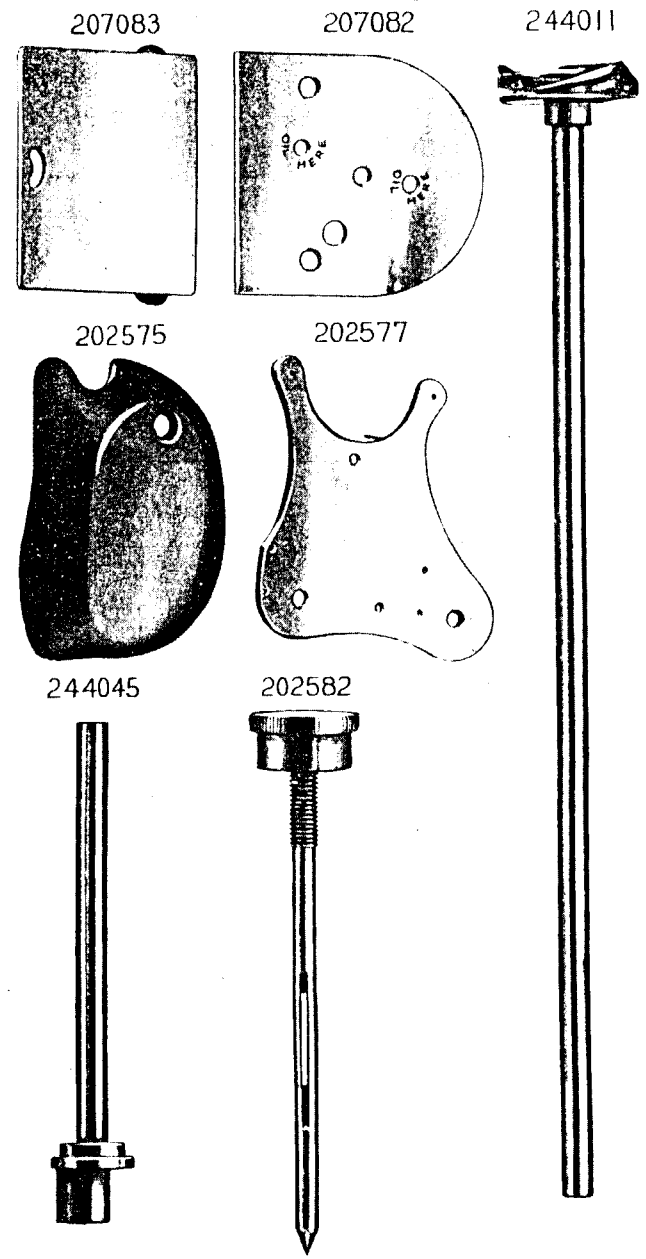
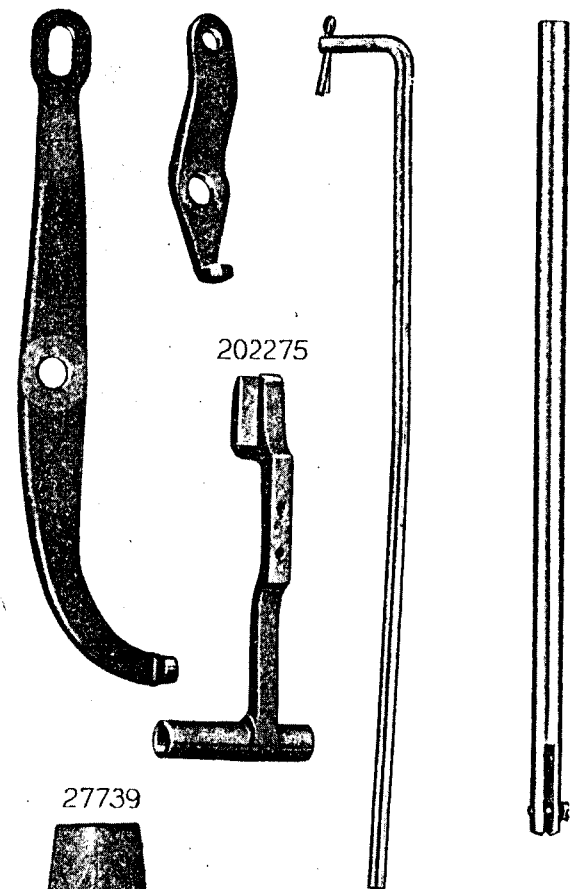
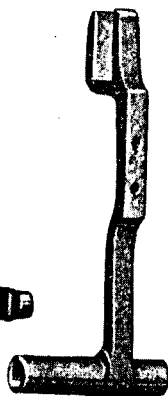


PLATE 13398—ONE-HALF SIZE

244034 237837 202447 202335



202275



27739



202328

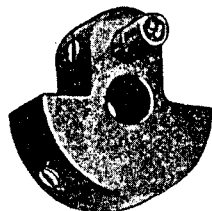
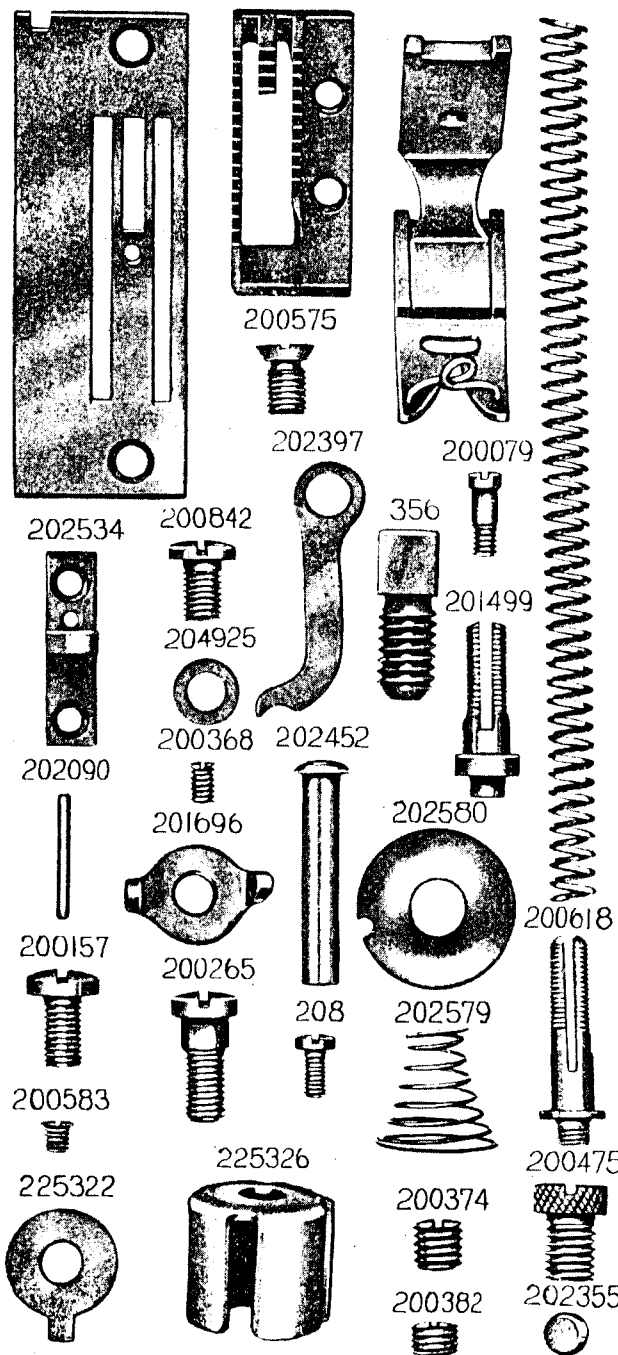


PLATE 13399—FULL SIZE

202818 202282 244047 202343



200575

202397

200079

202534

200842

356

202090

204925

201499

200368

202452

201696

202580

200157

200265

208

202579

200583

225326

200374

225322

200382

200475

202355

200618

PLATE 14083—ONE-SIXTH SIZE

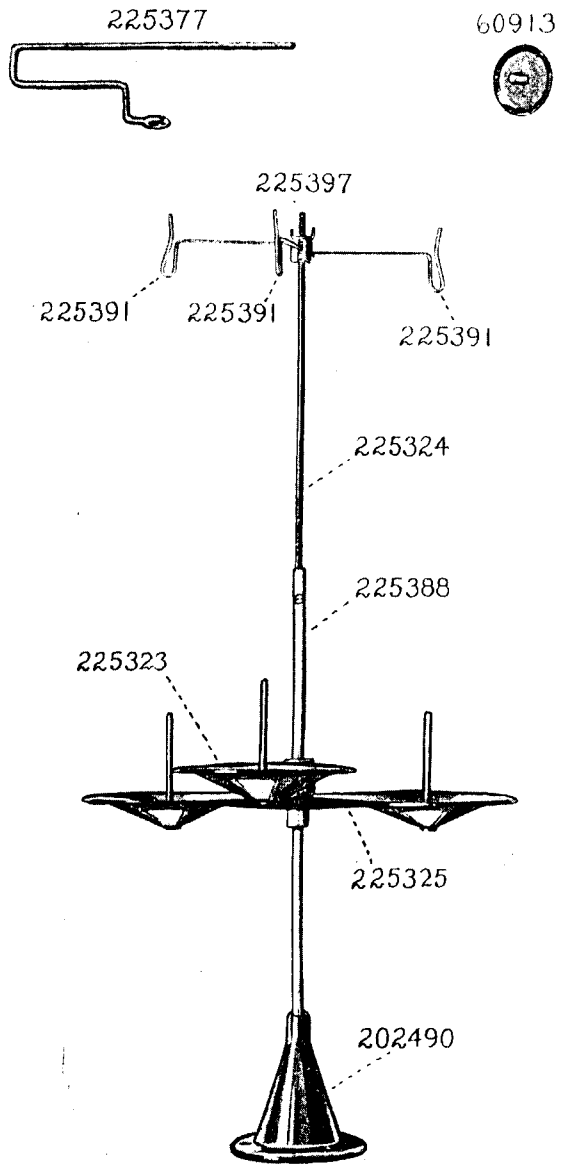


PLATE 14334—ONE-HALF SIZE

