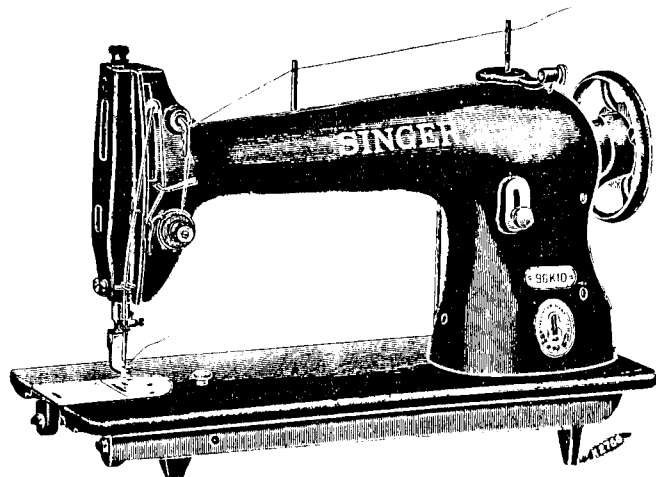
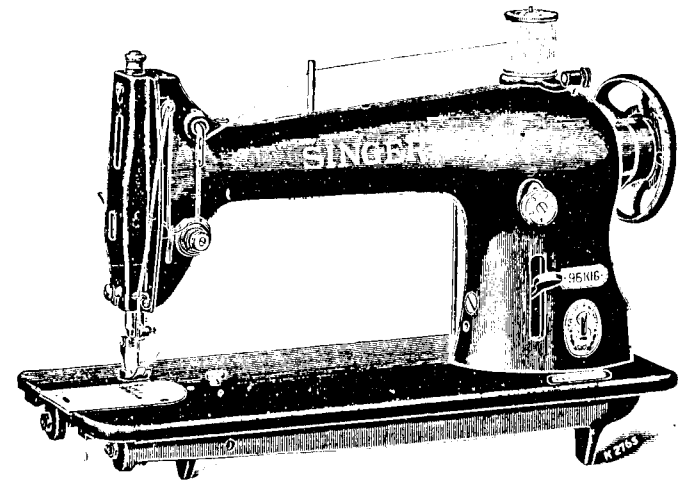


**SINGER**  
96K

ILLUSTRATED  
LIST OF PARTS  
FOR  
CLASS 96K MACHINES

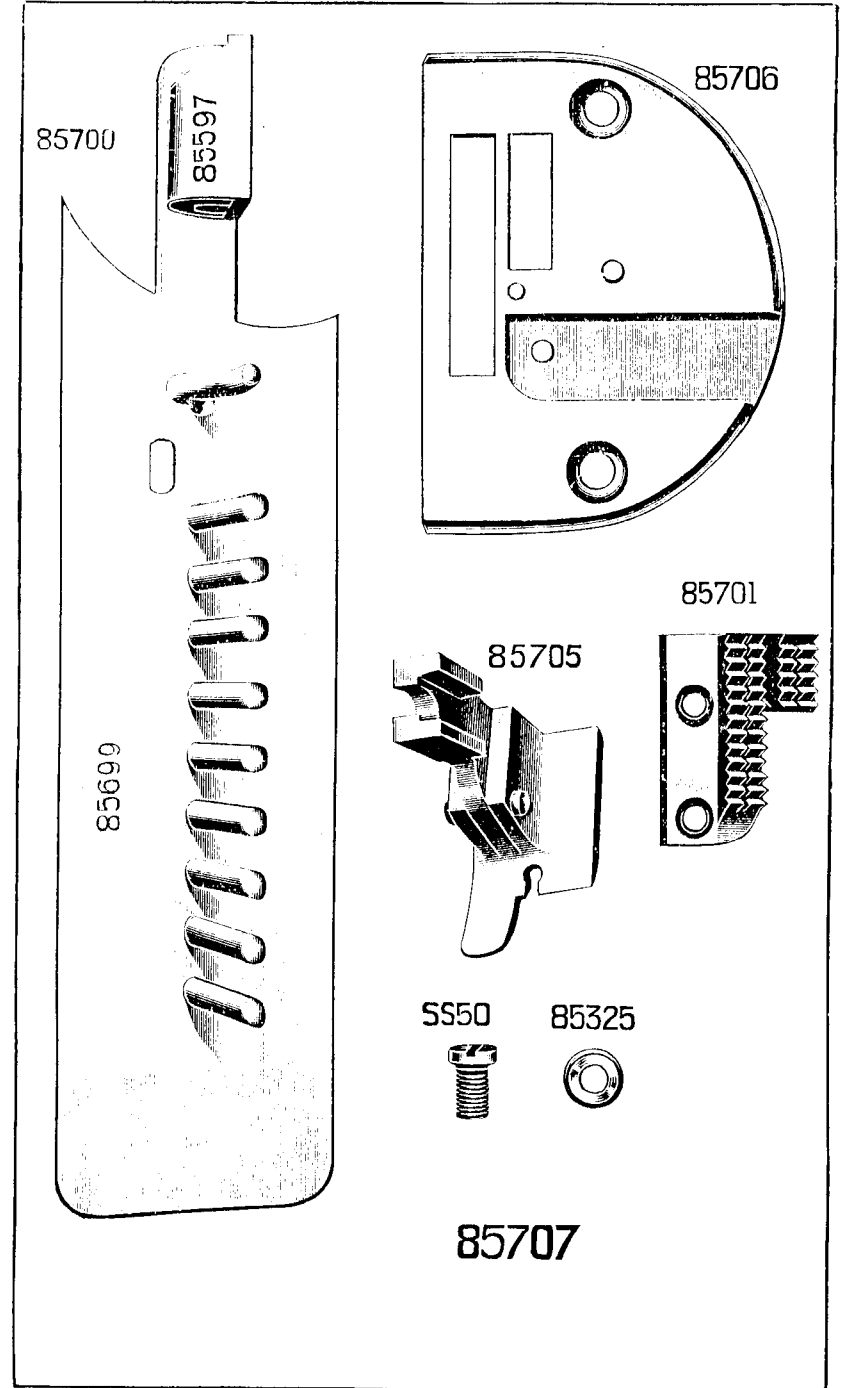
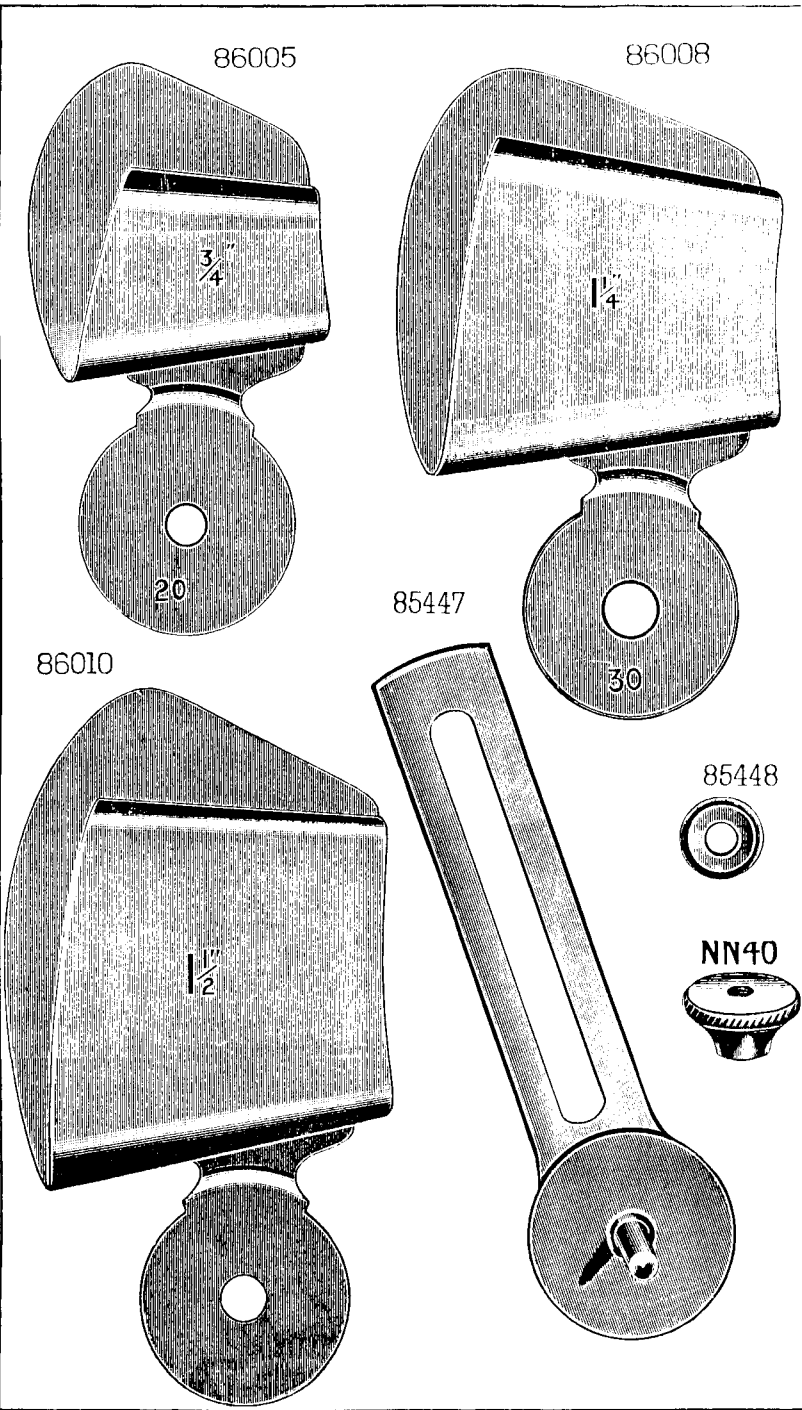


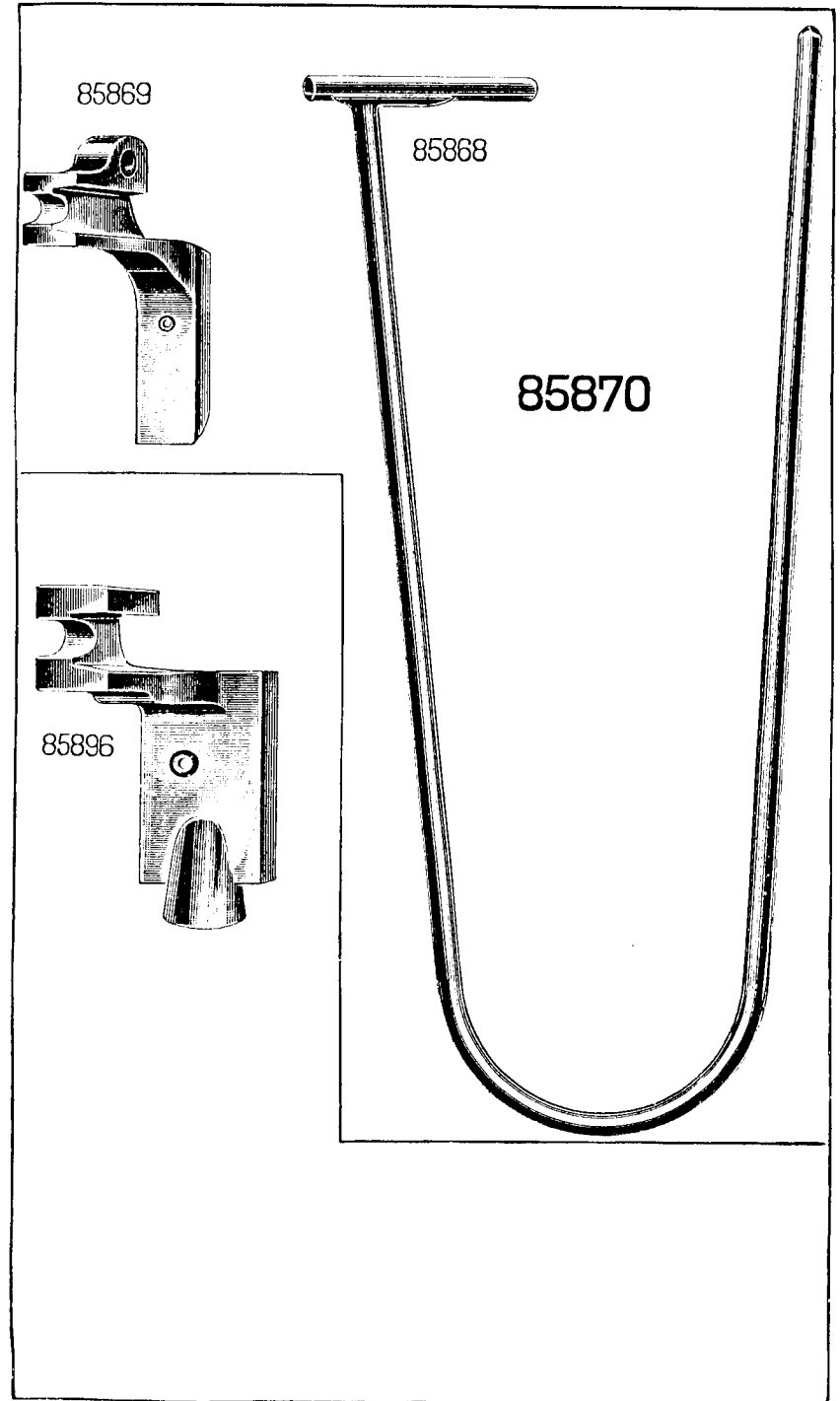
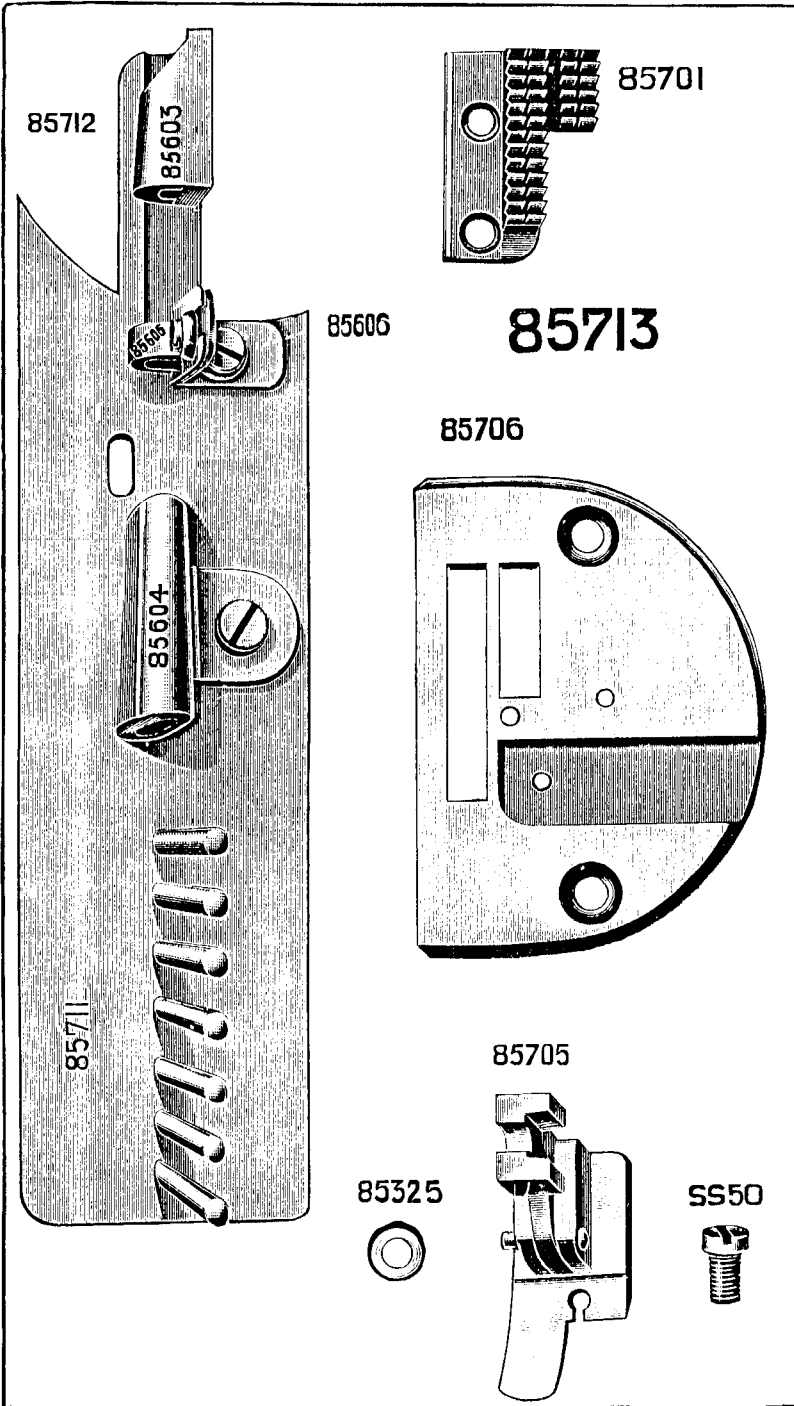
No. 96K10 Machine.

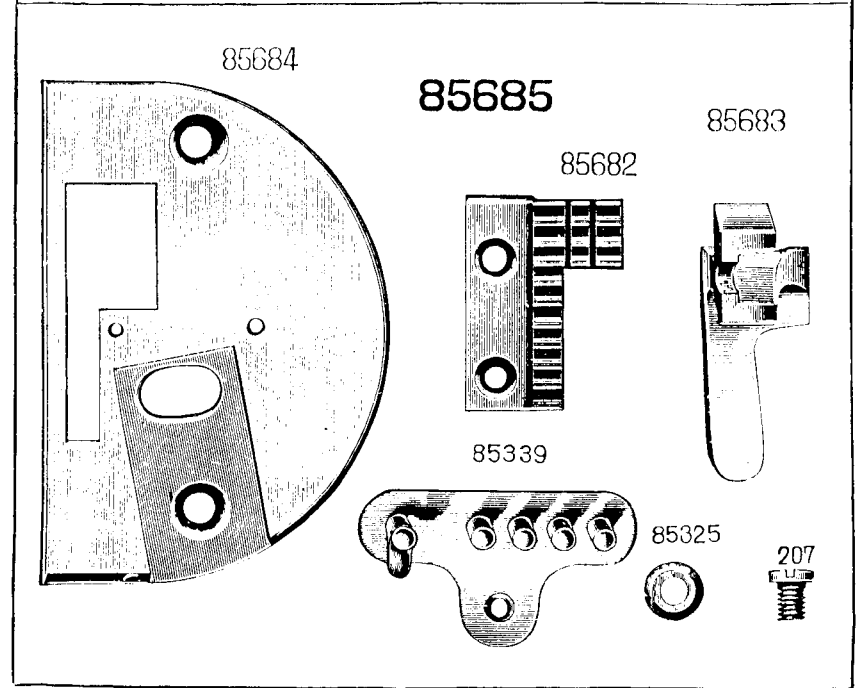
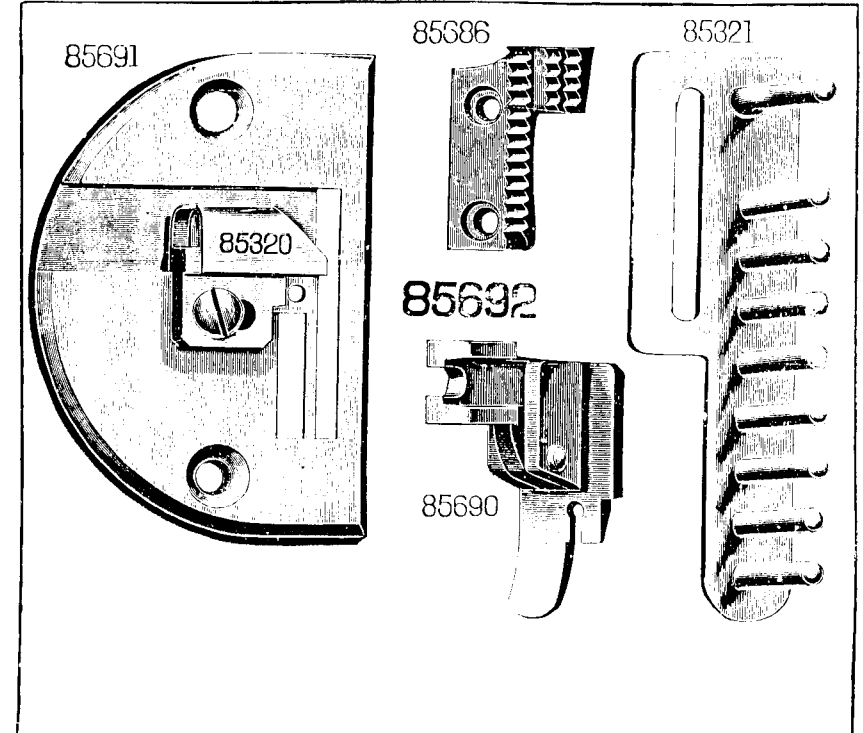
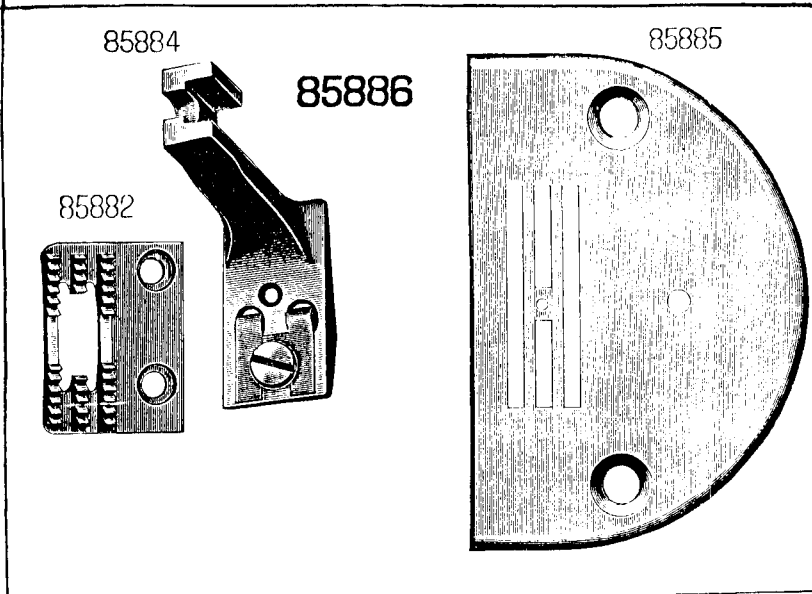
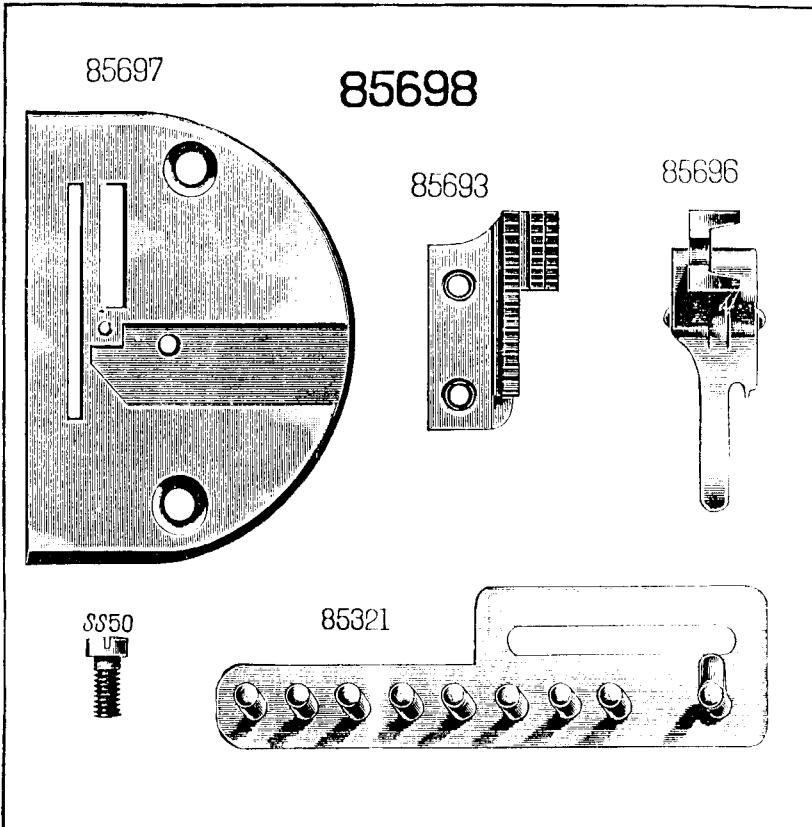


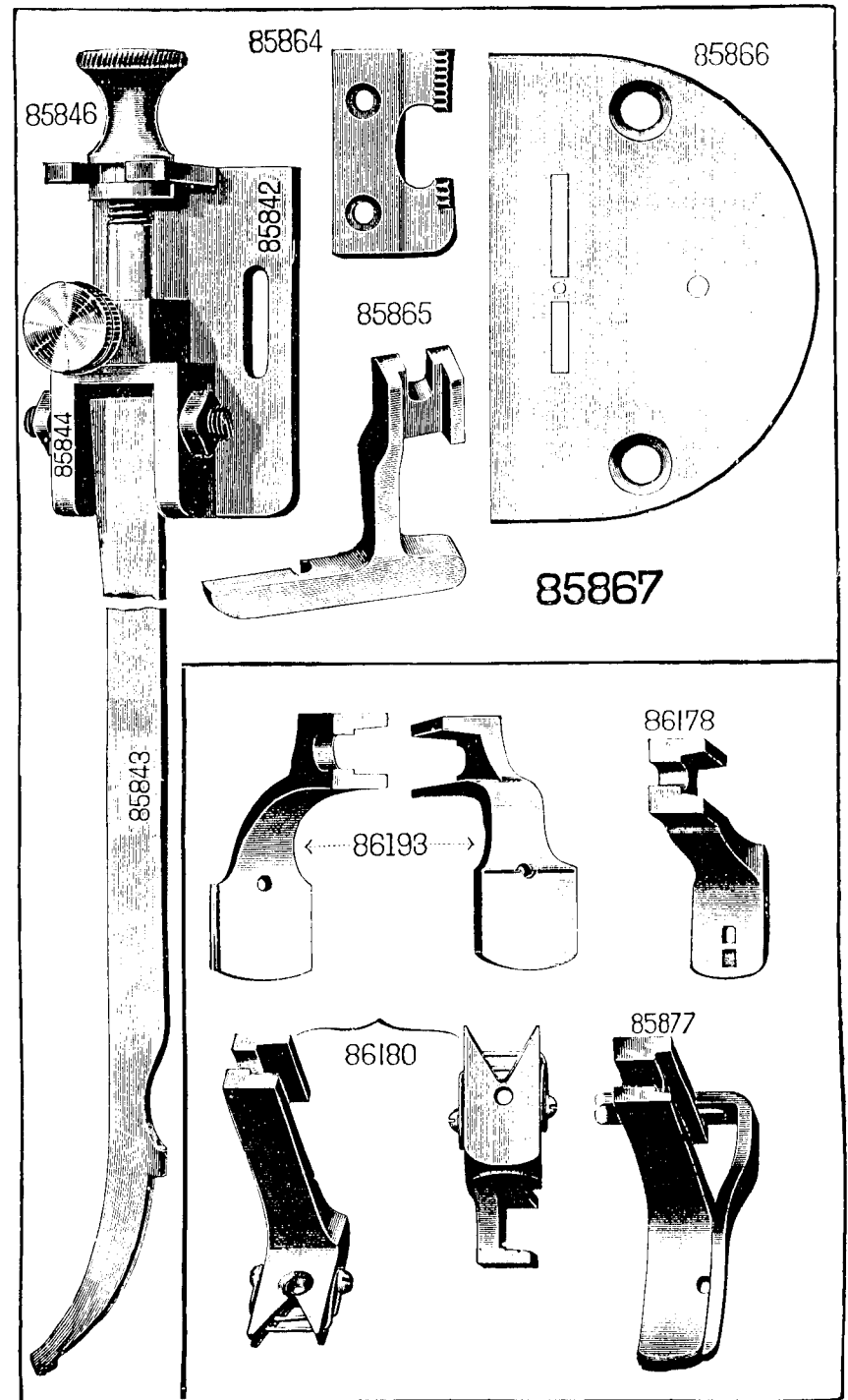
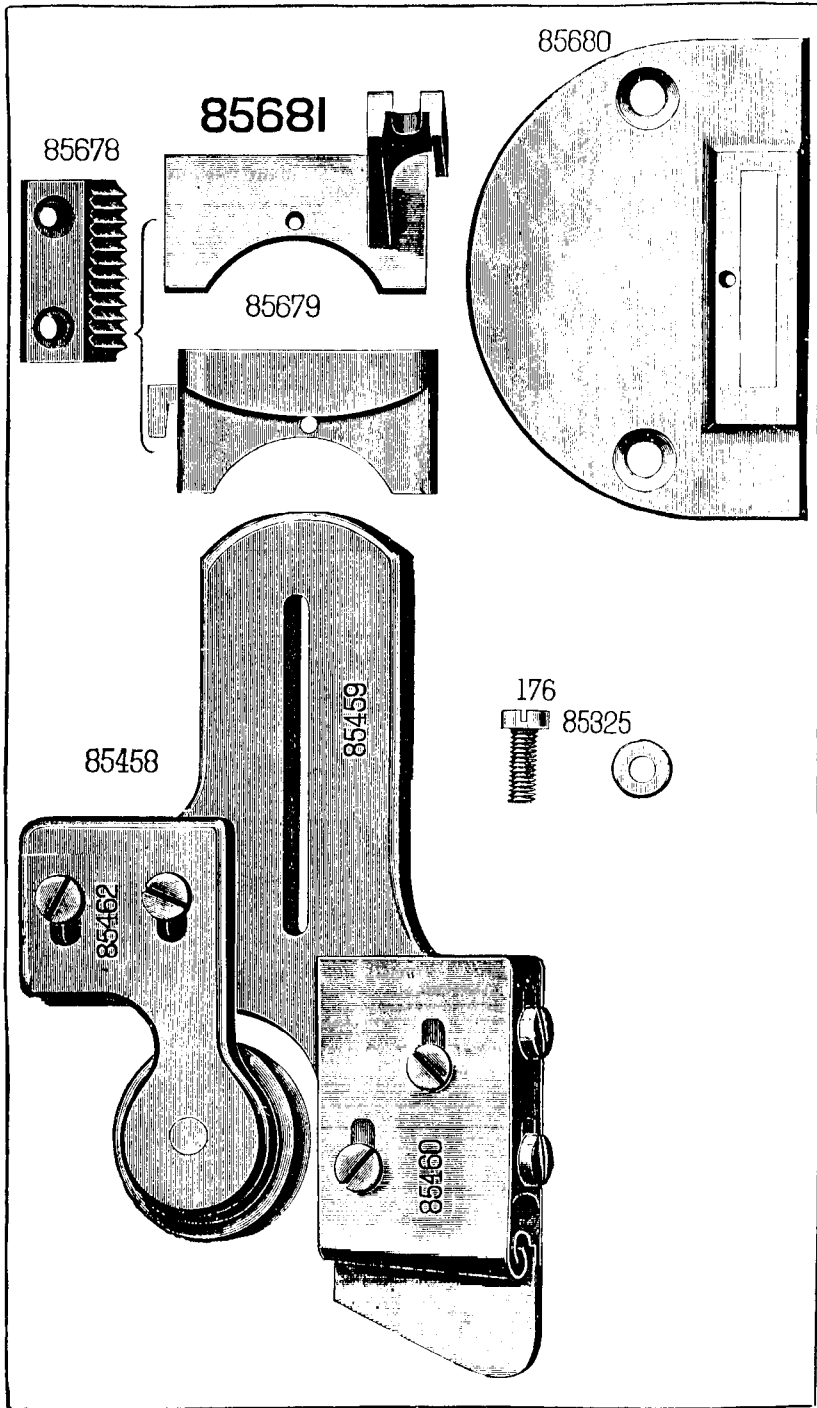
No. 96K16 Machine.

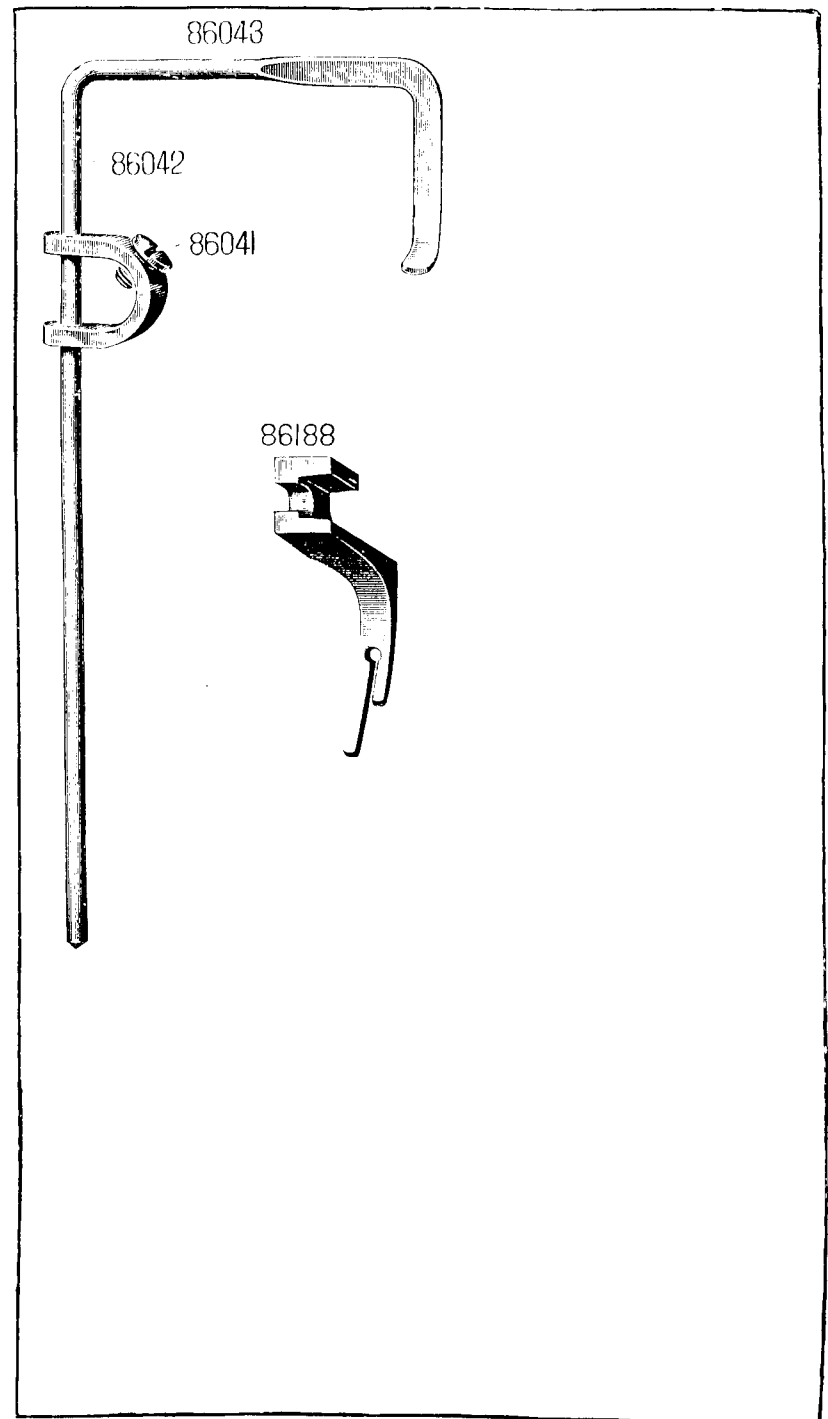
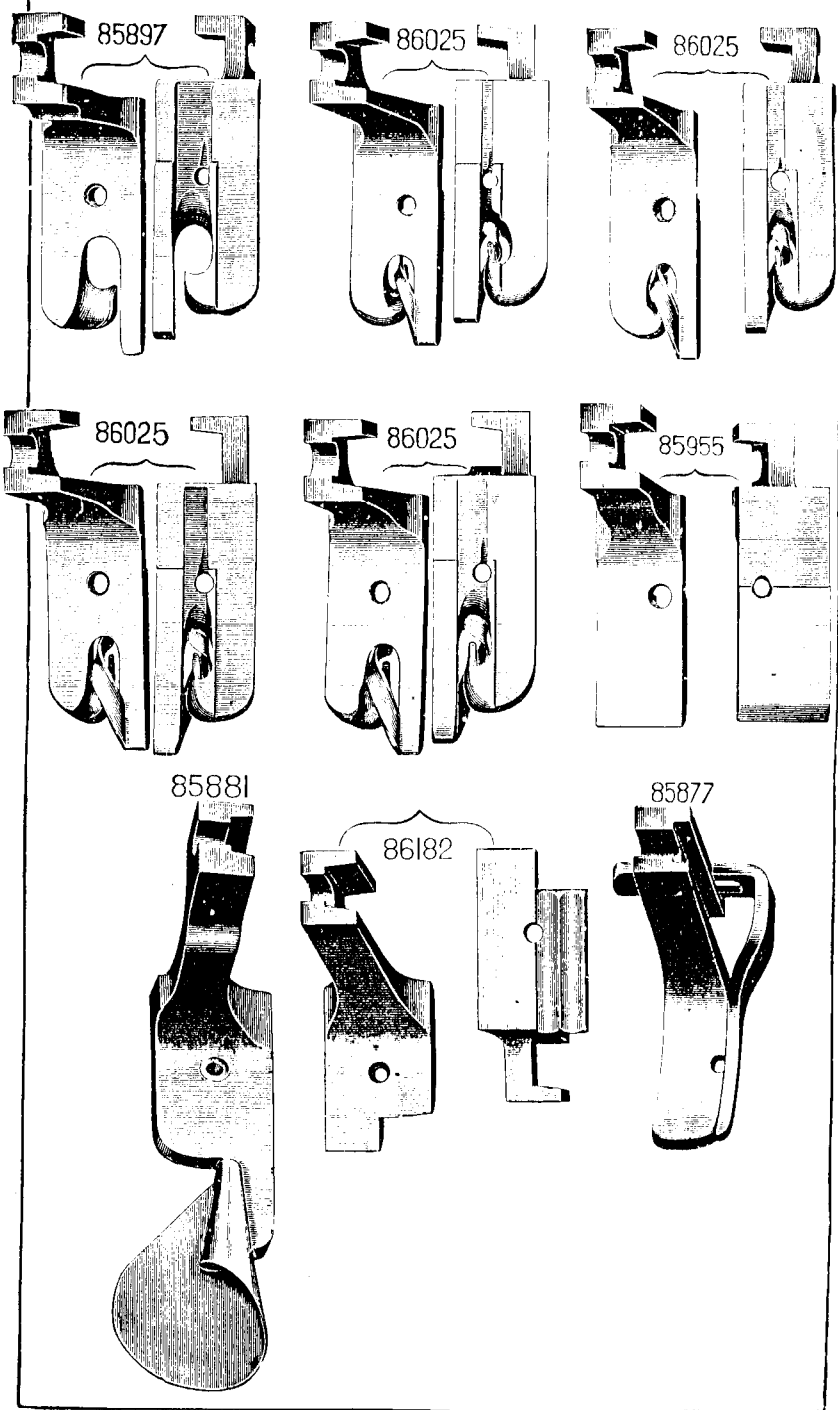
THE SINGER MANUFACTURING CO.

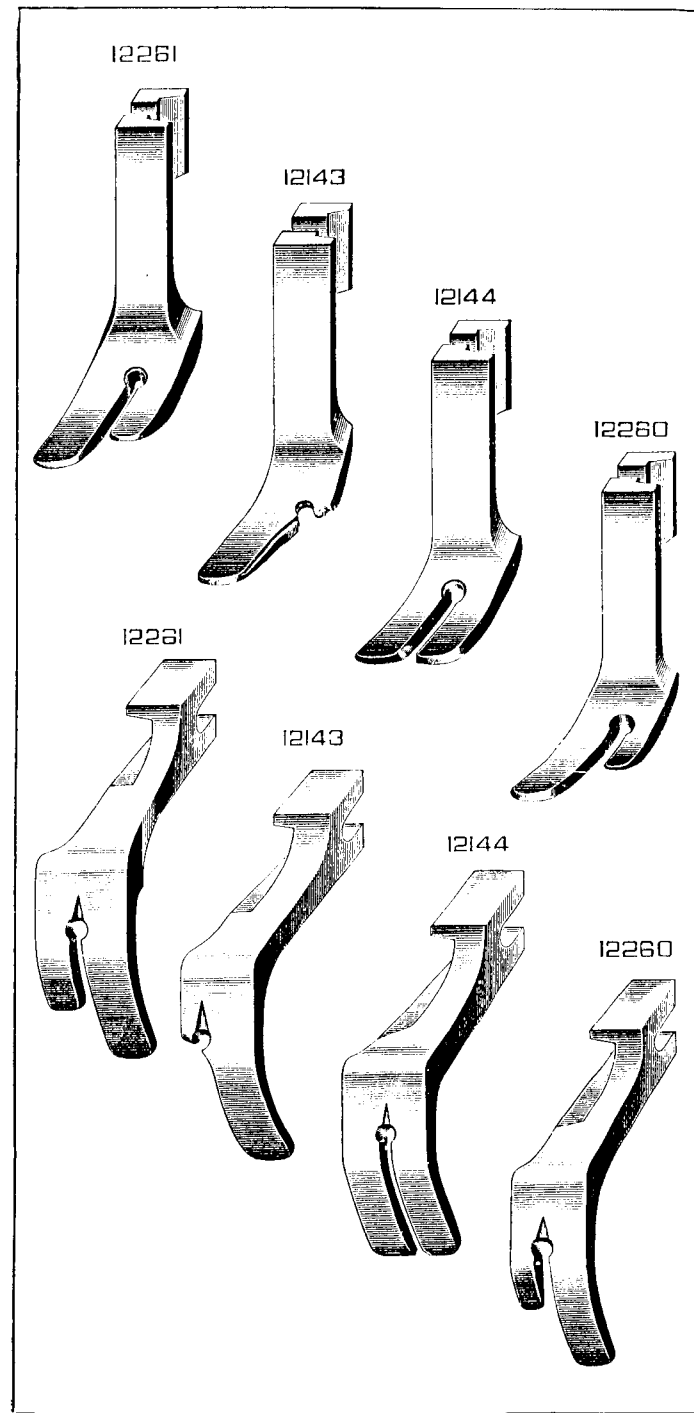
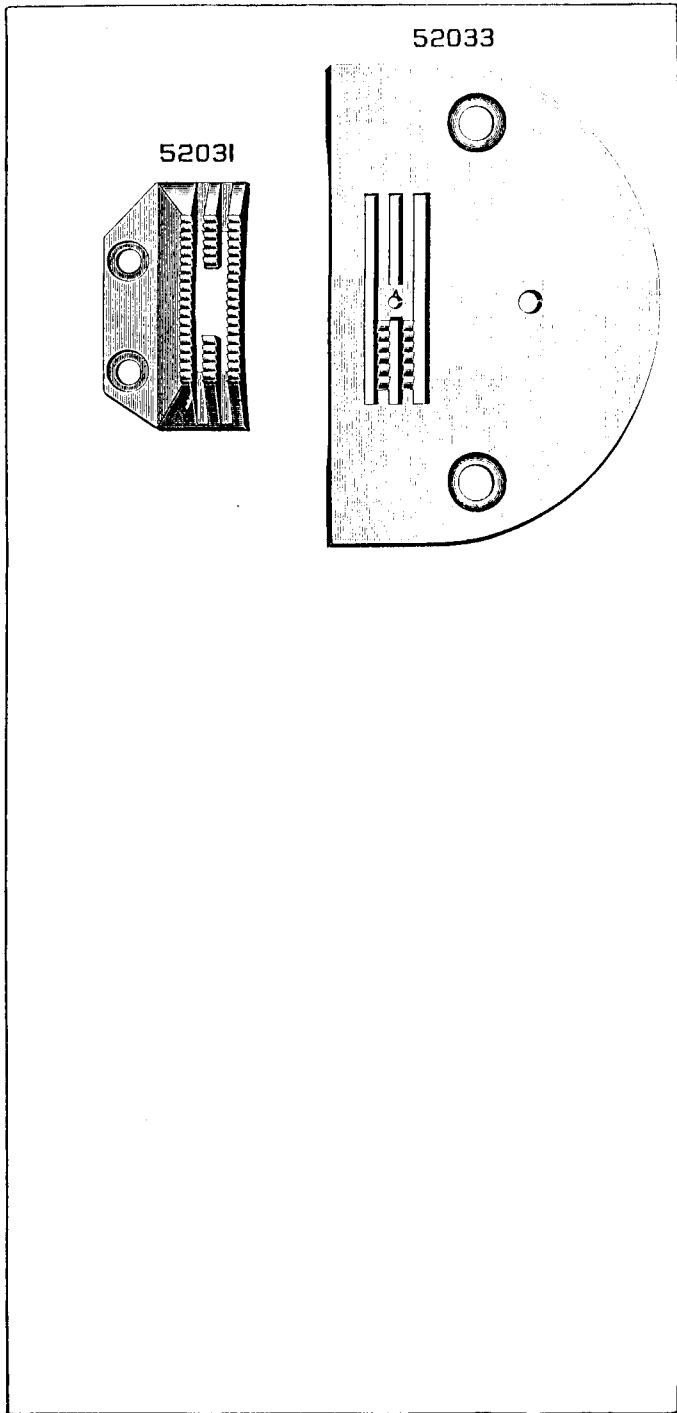




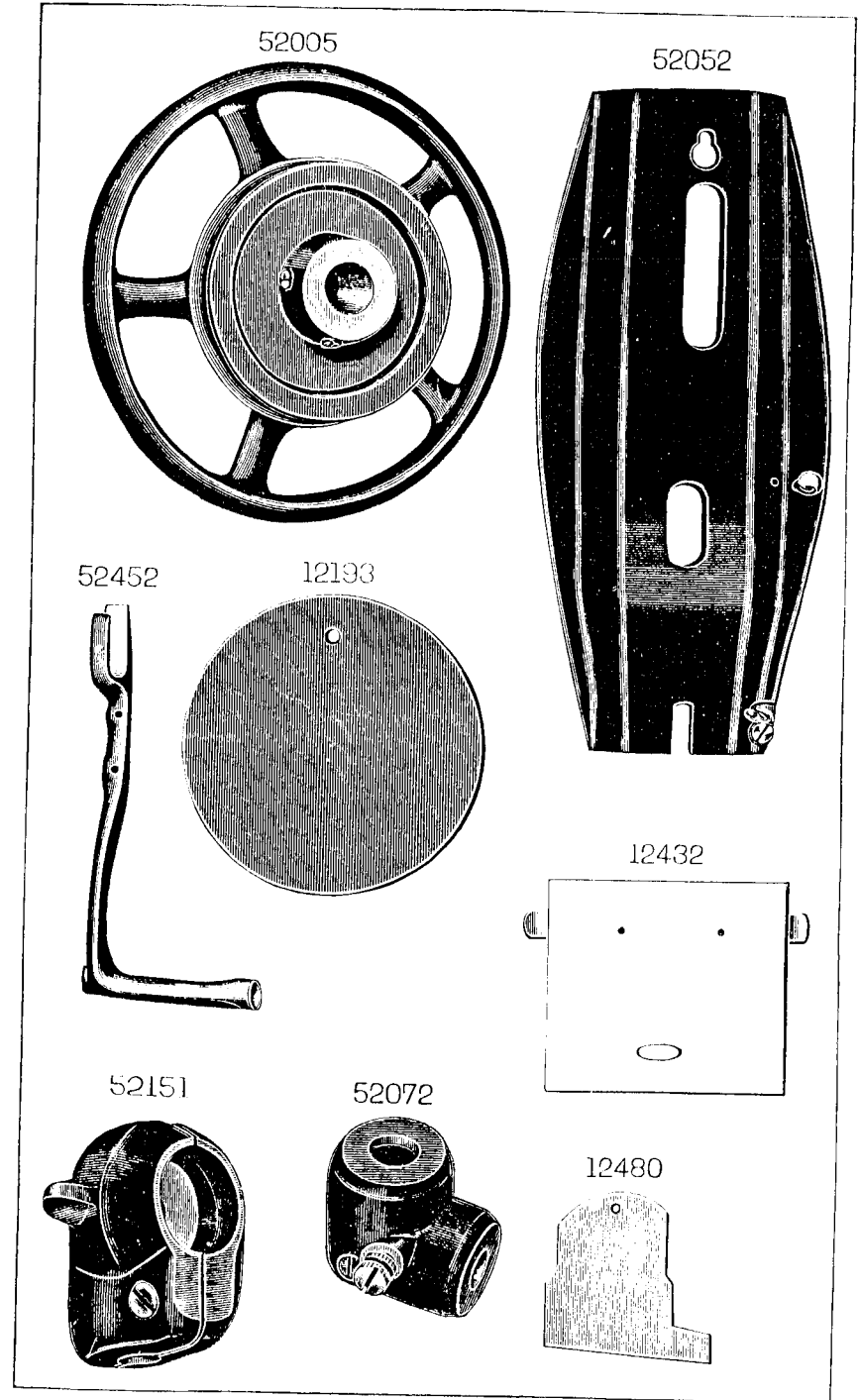
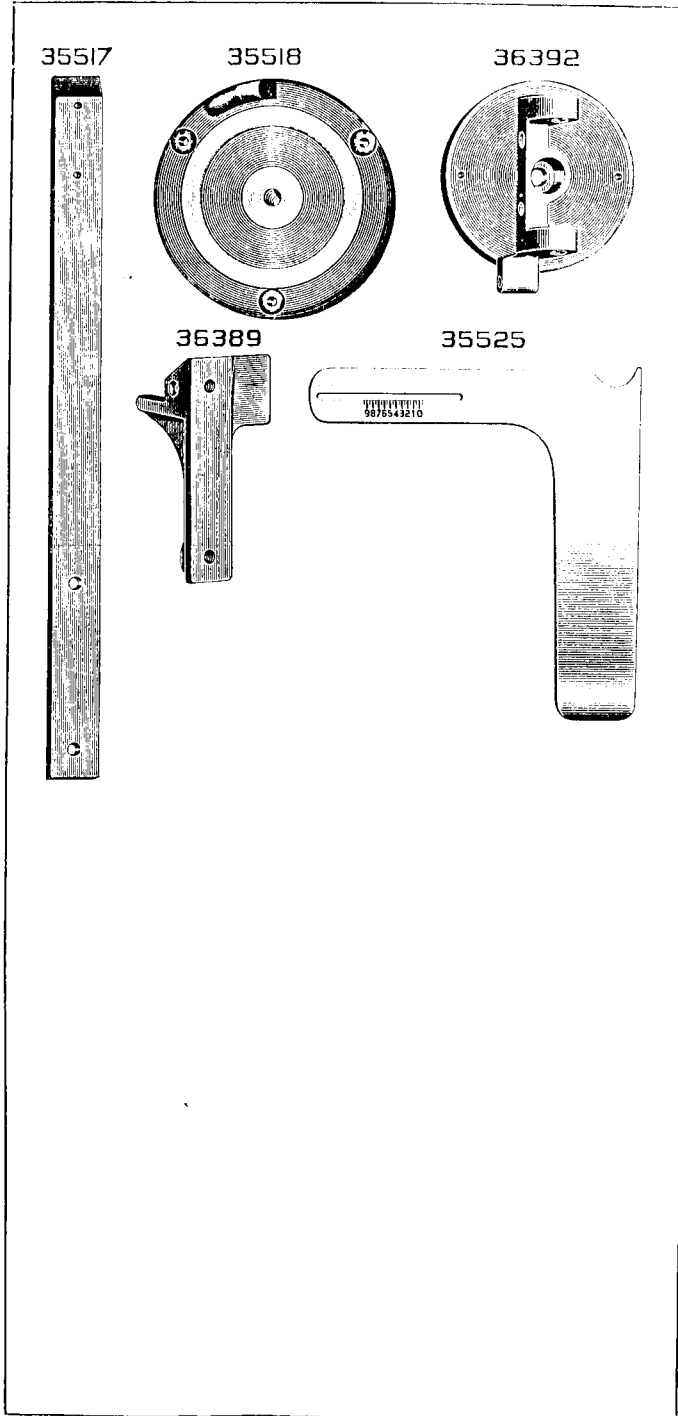


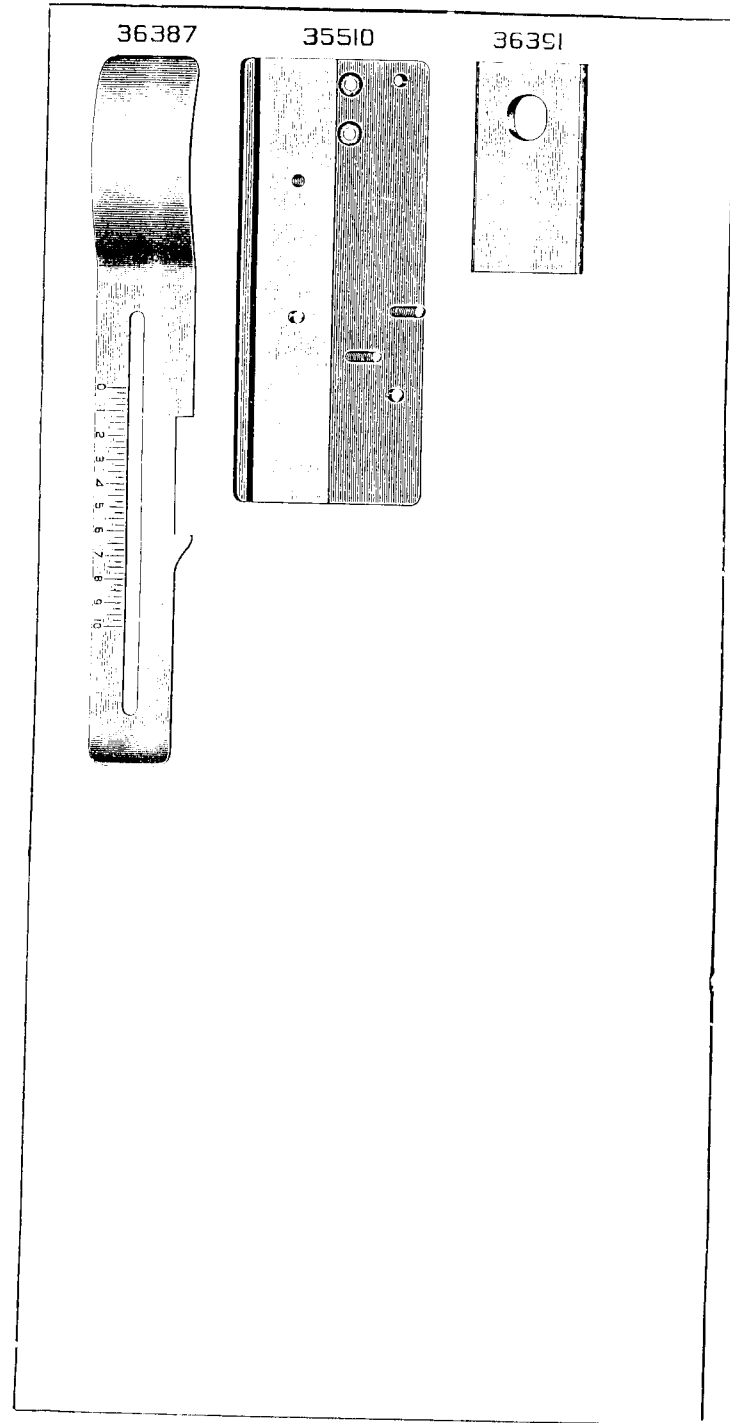
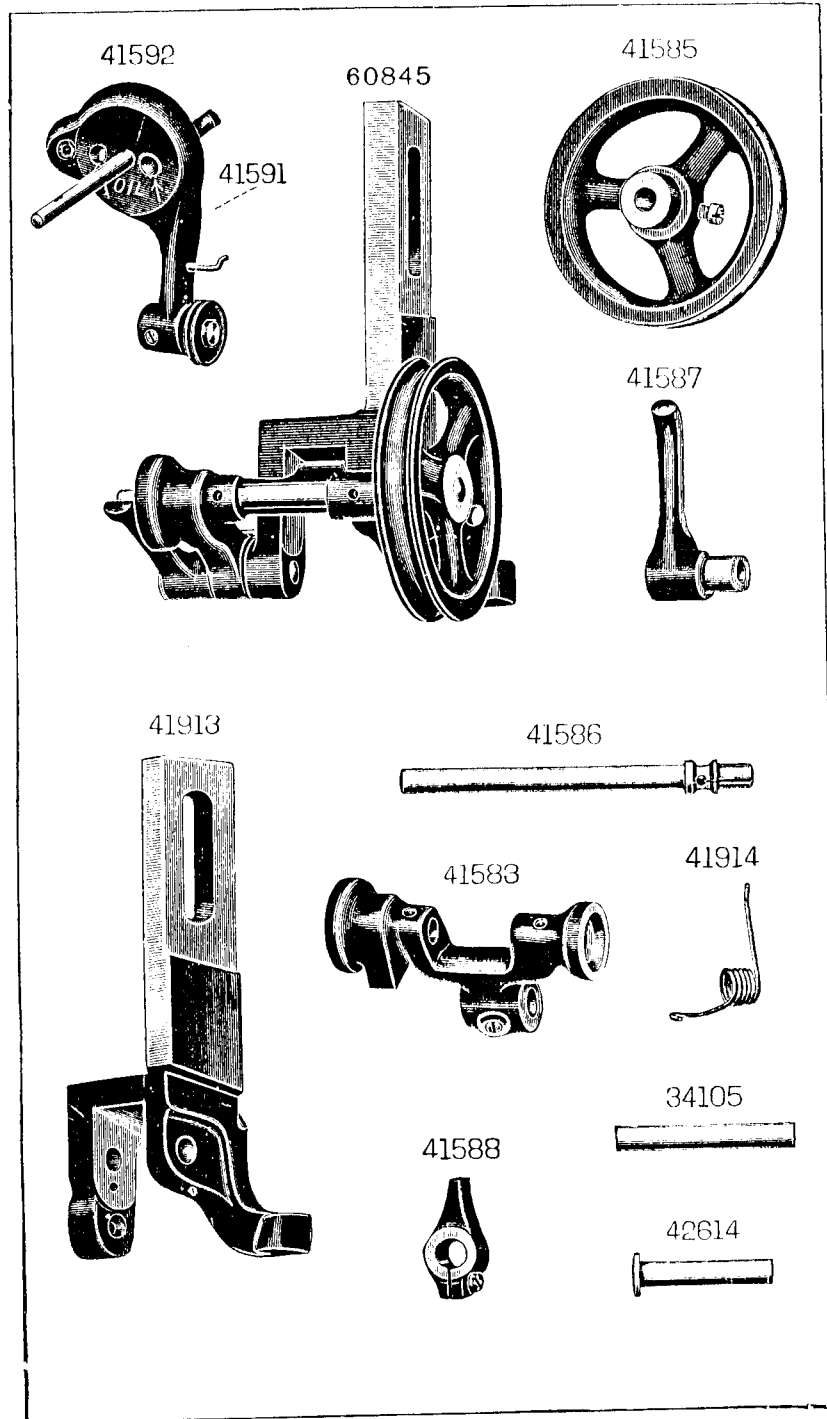


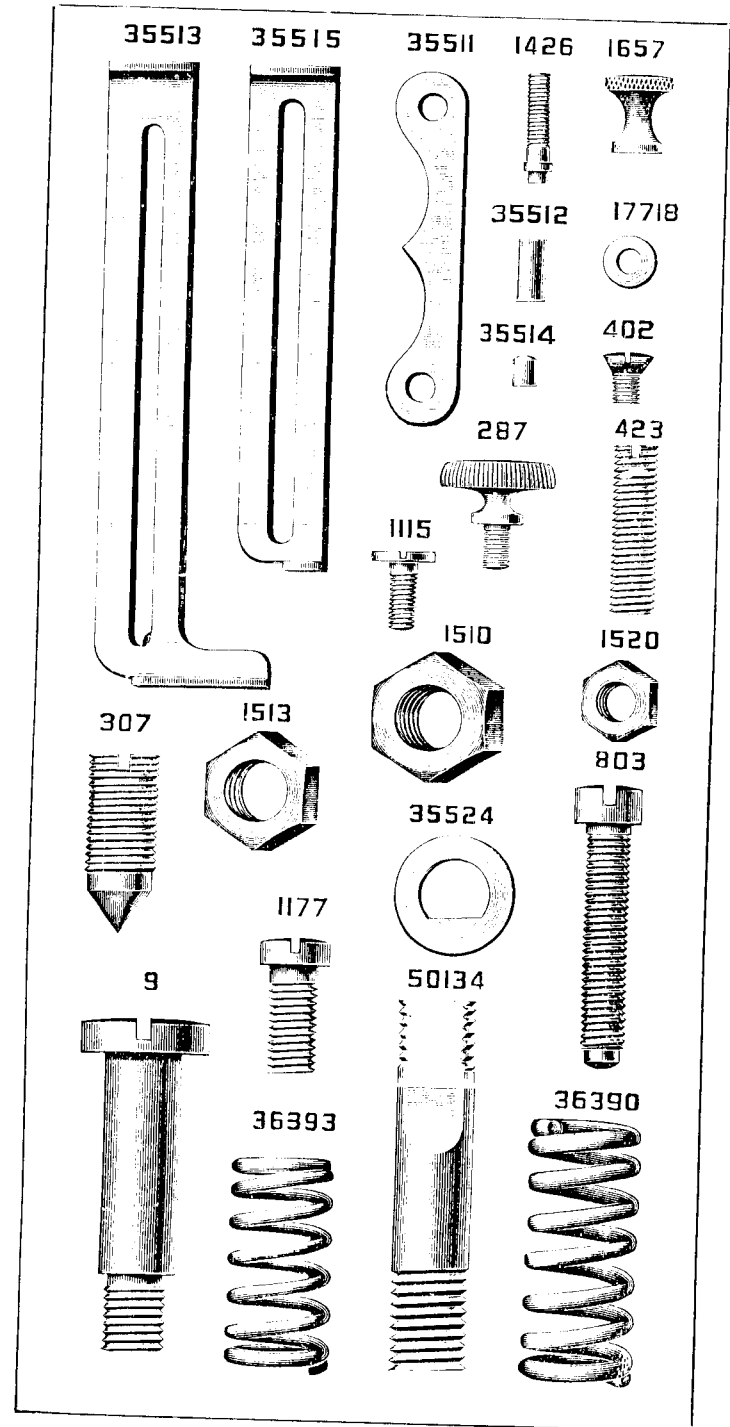
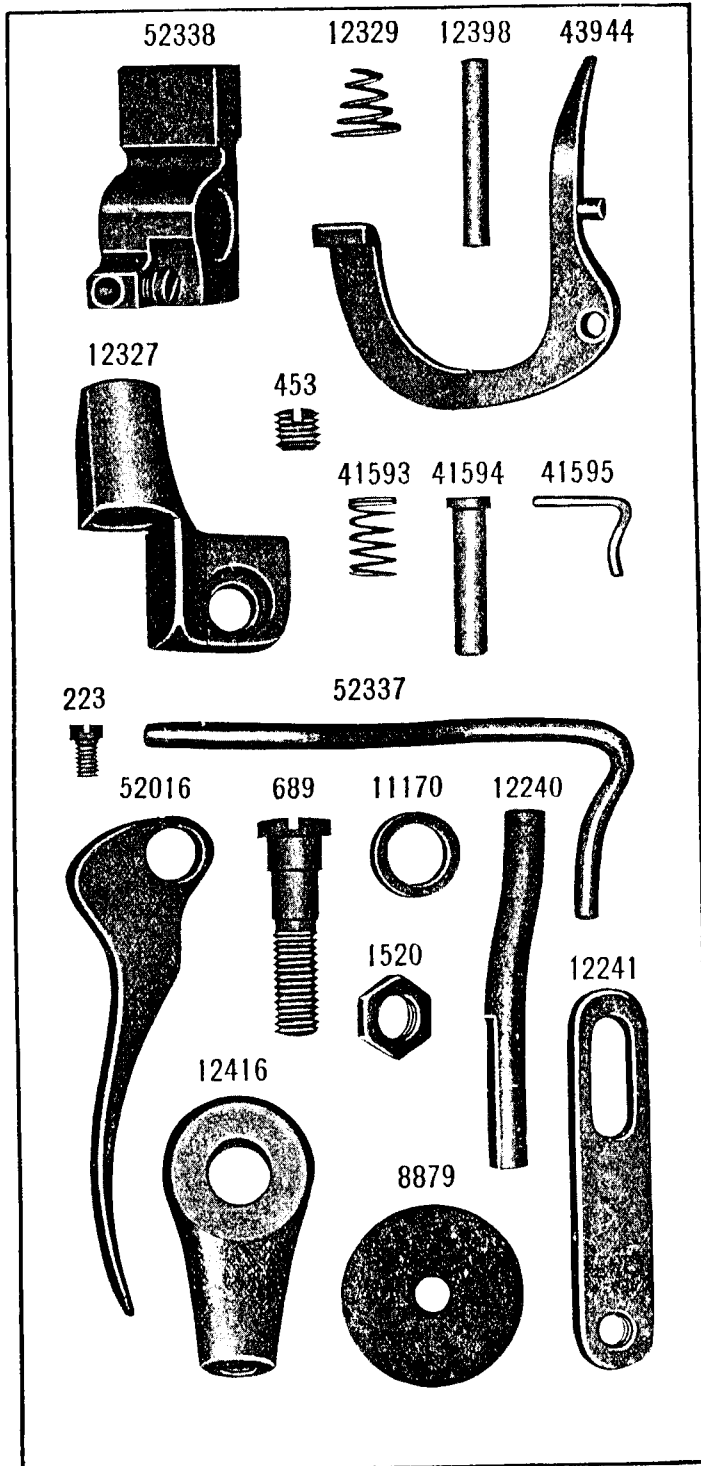


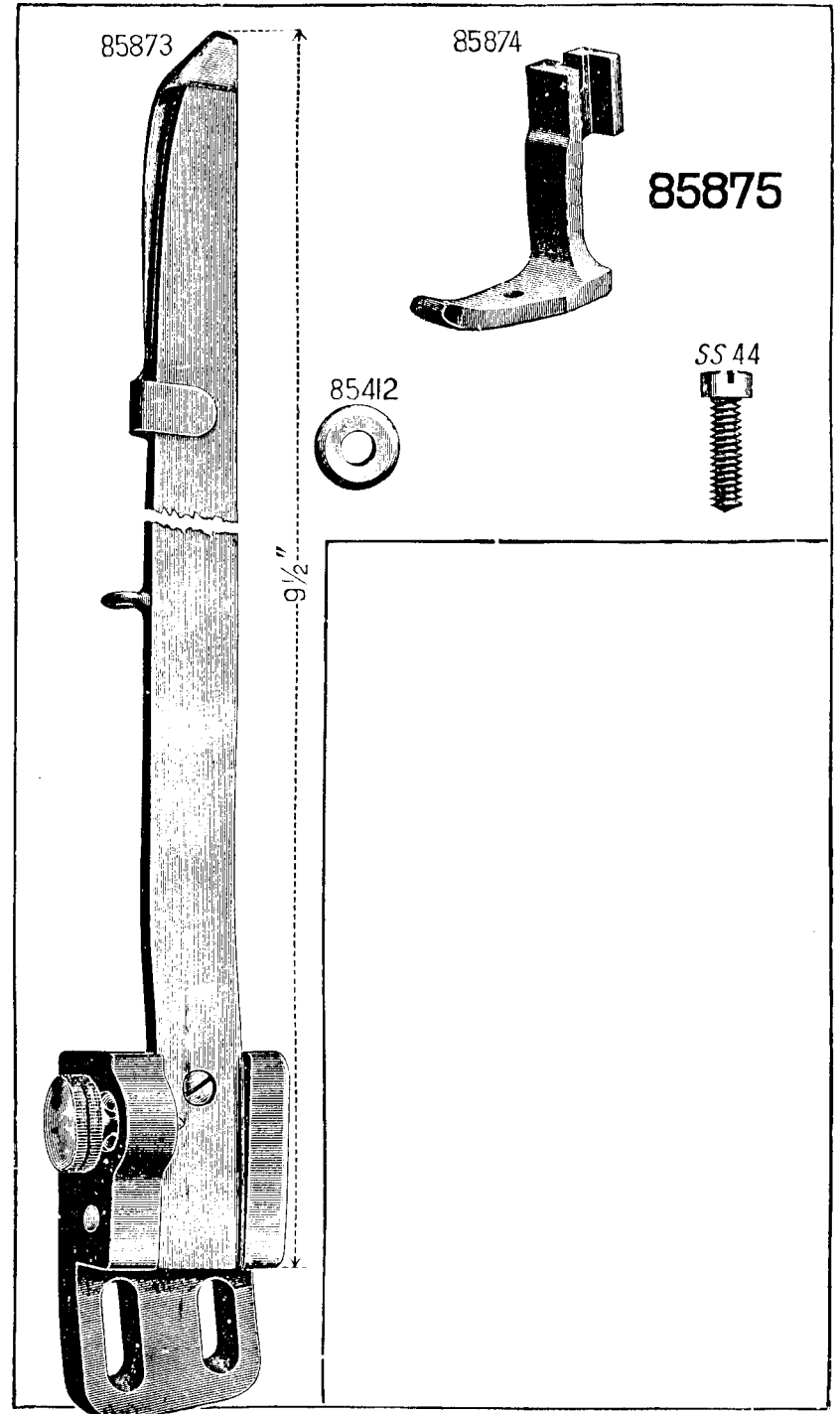
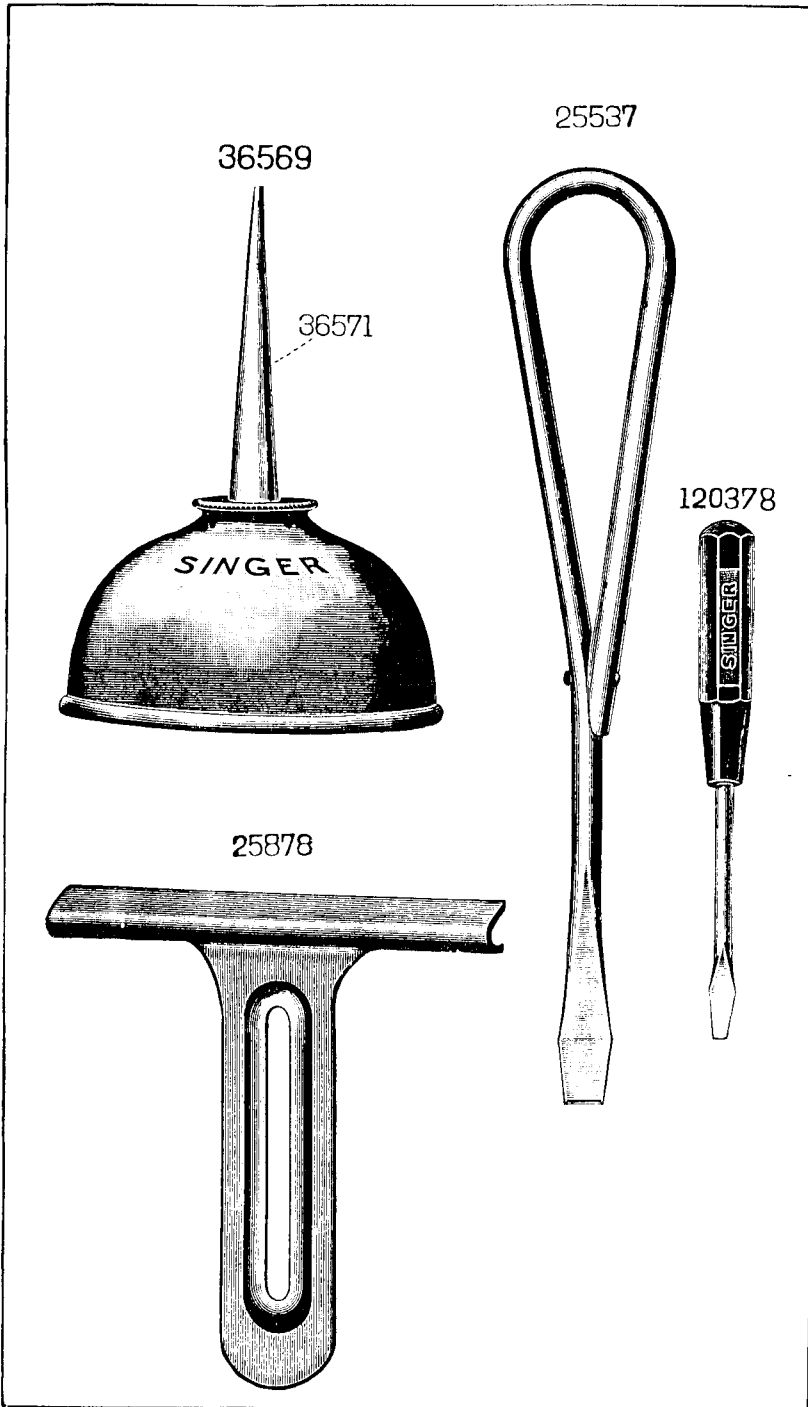


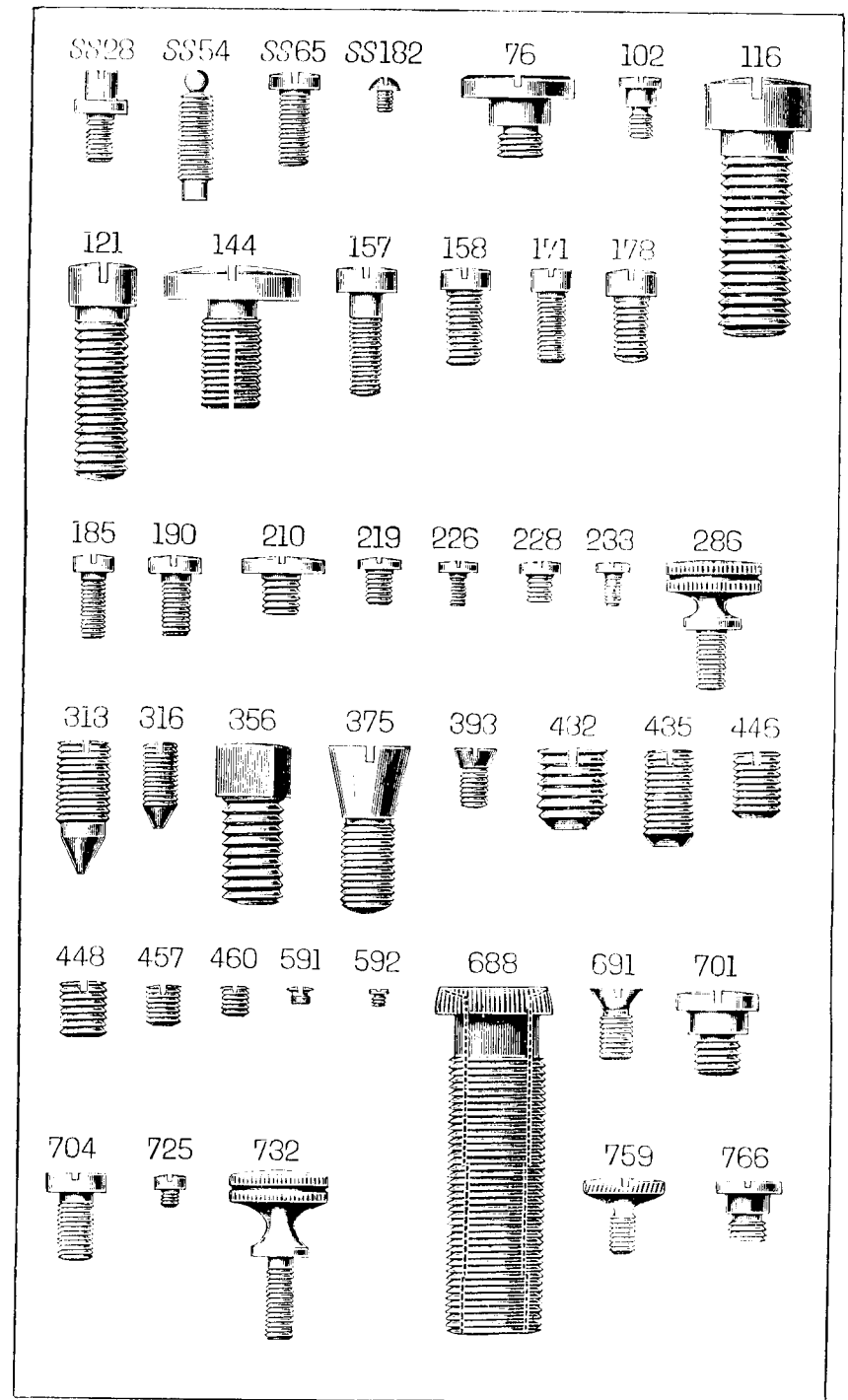
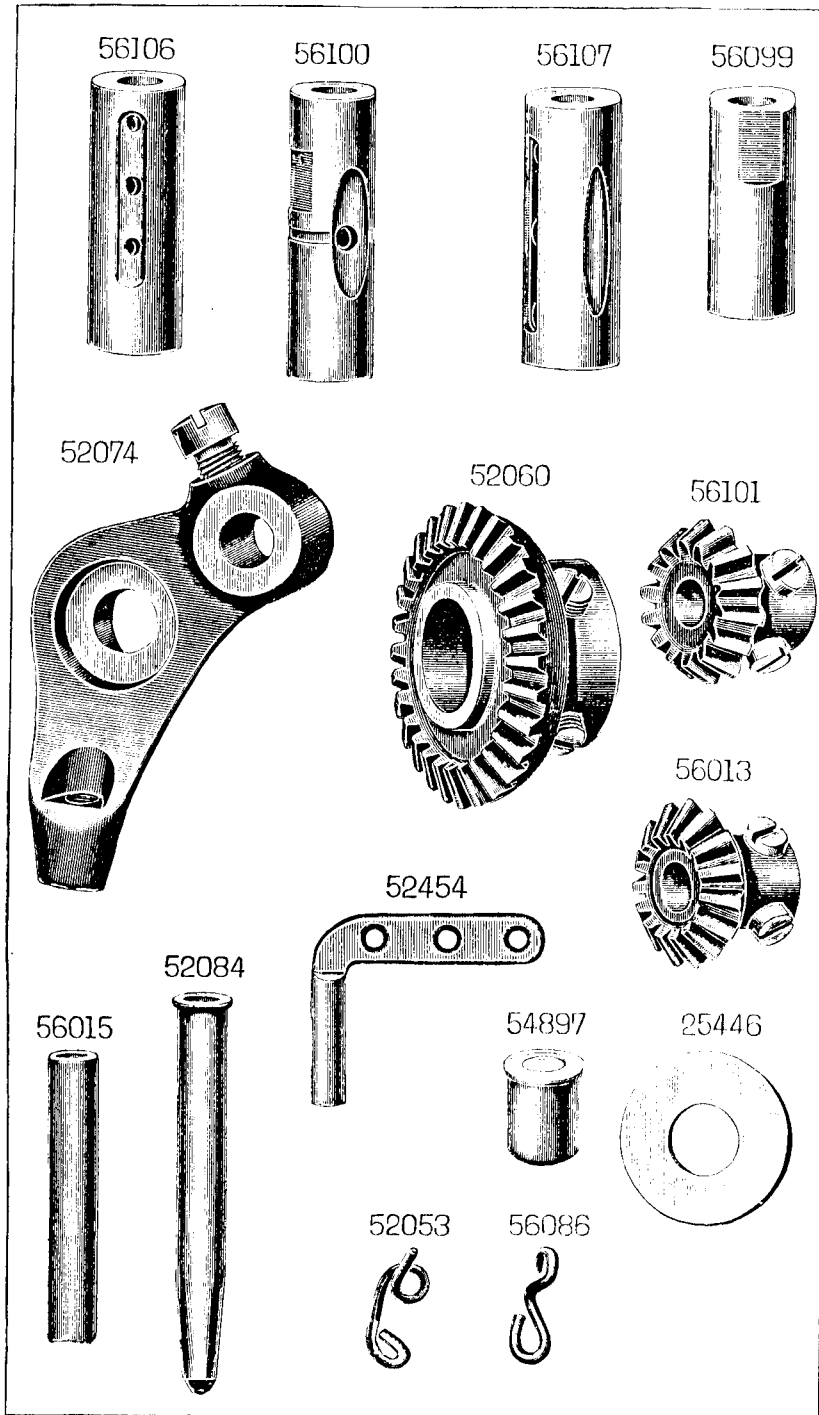


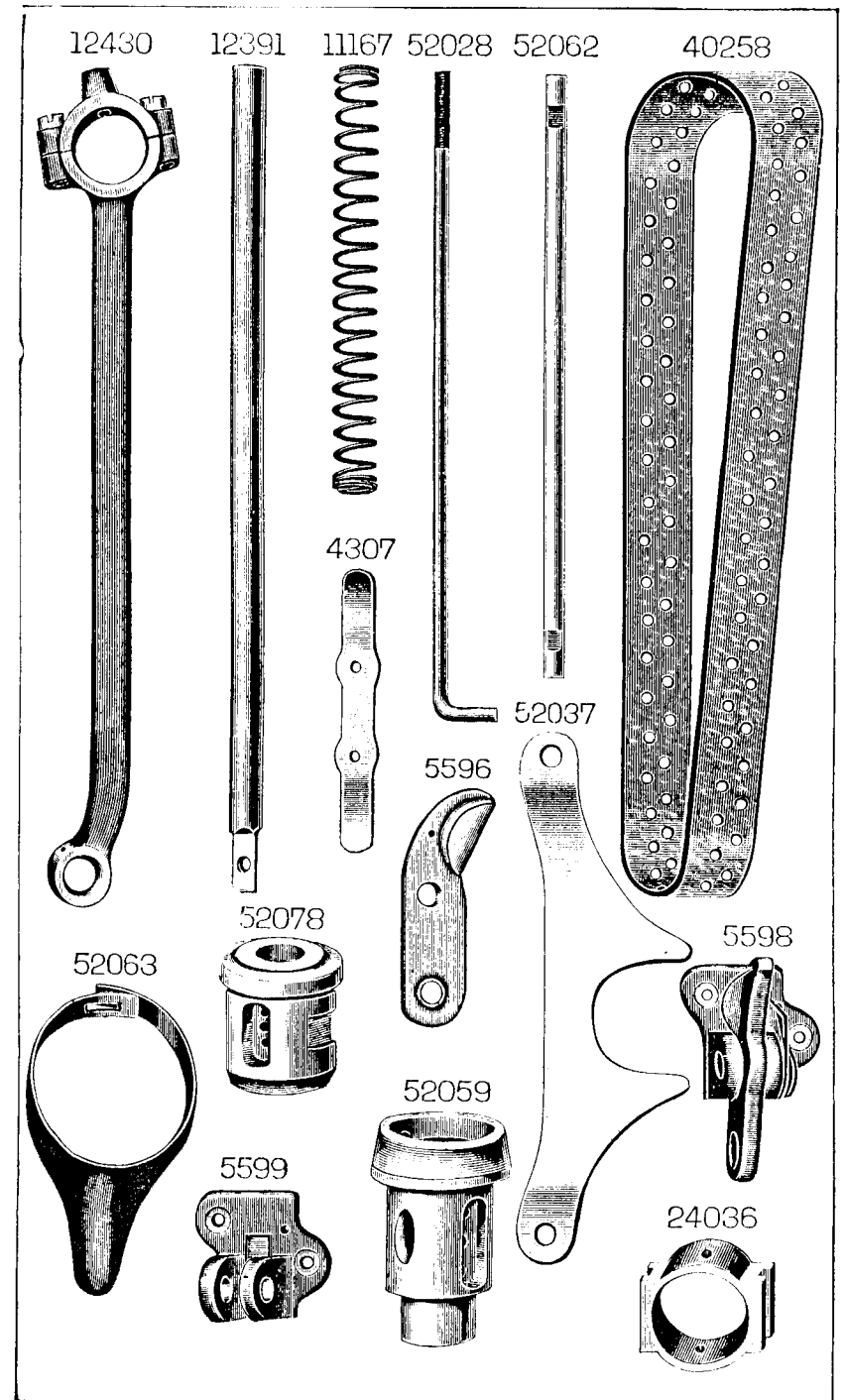
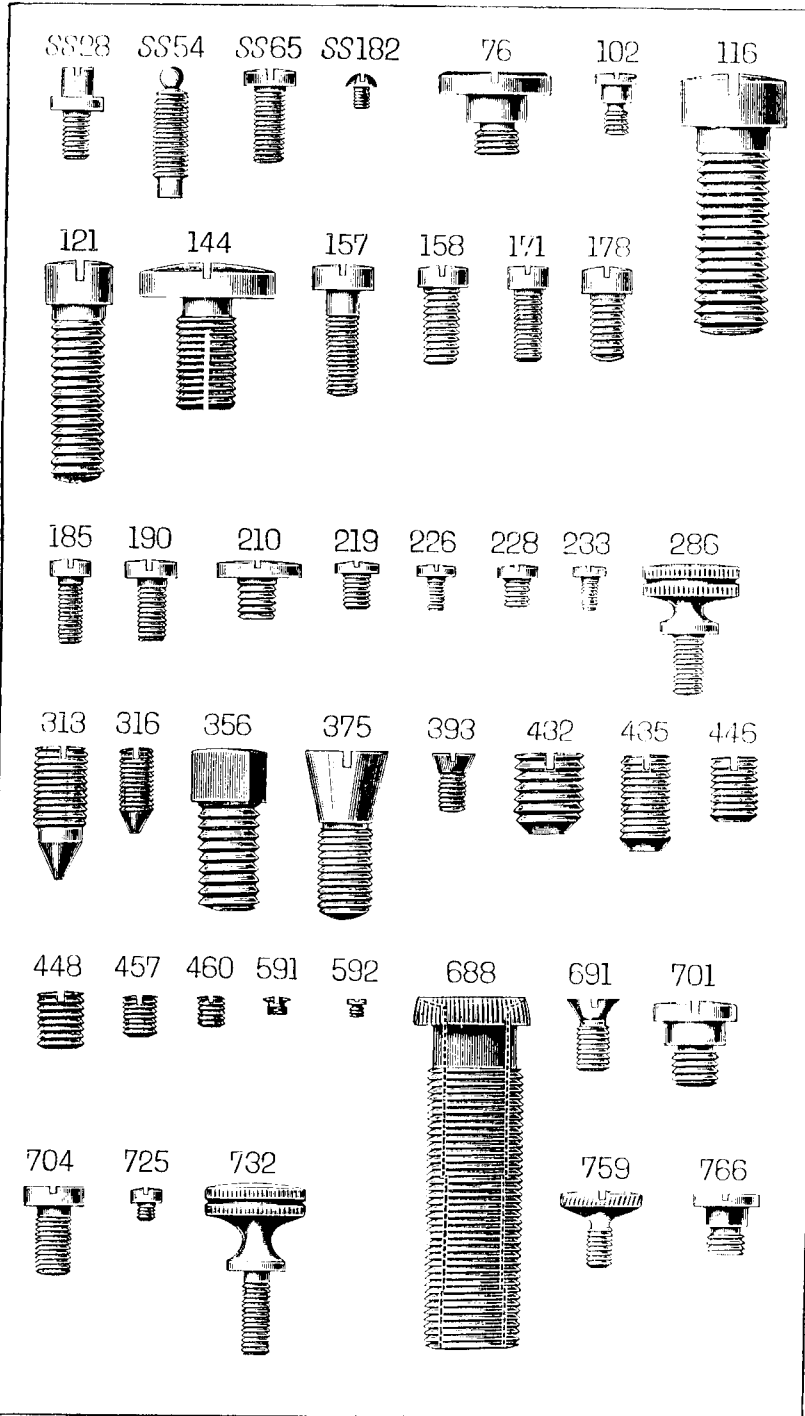


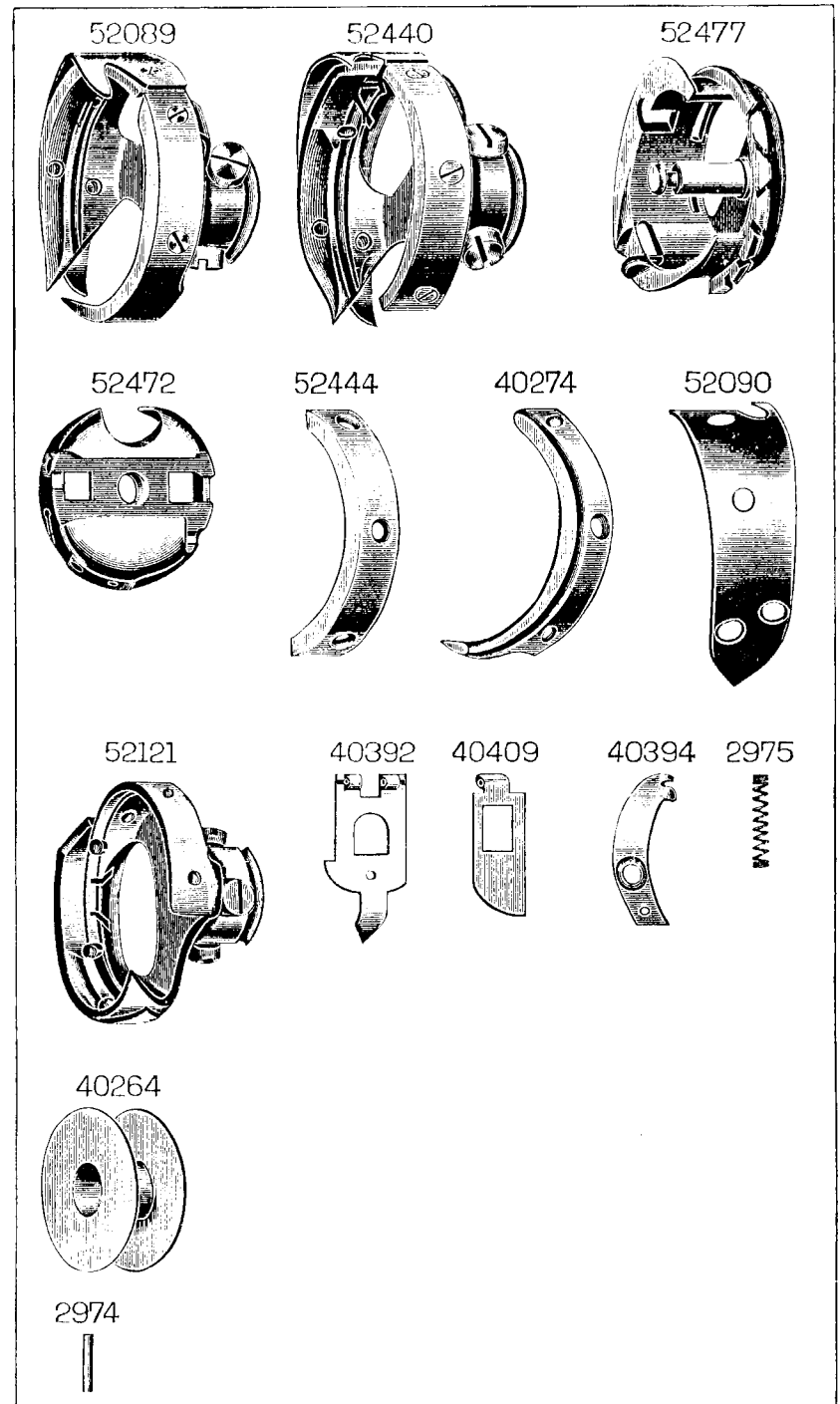
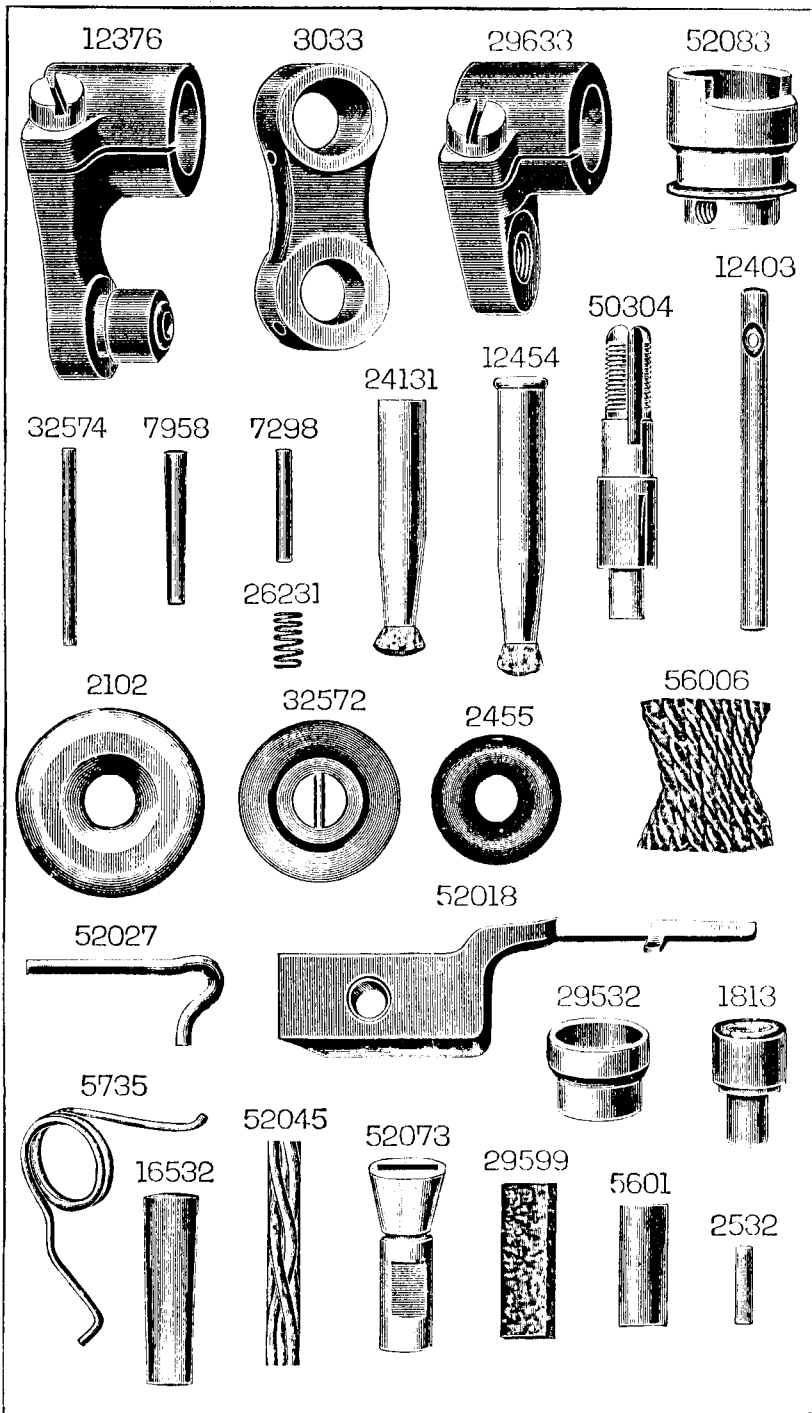


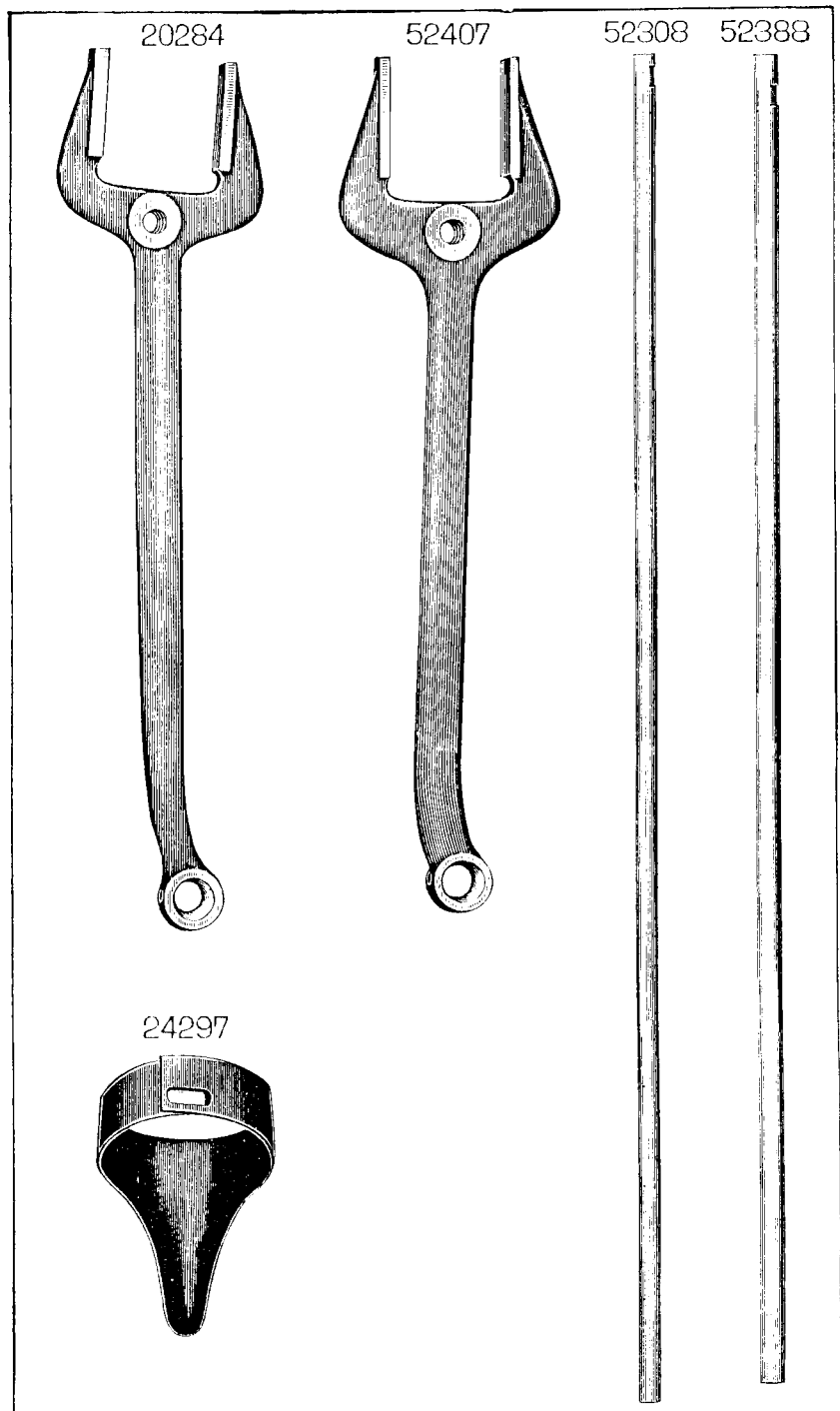
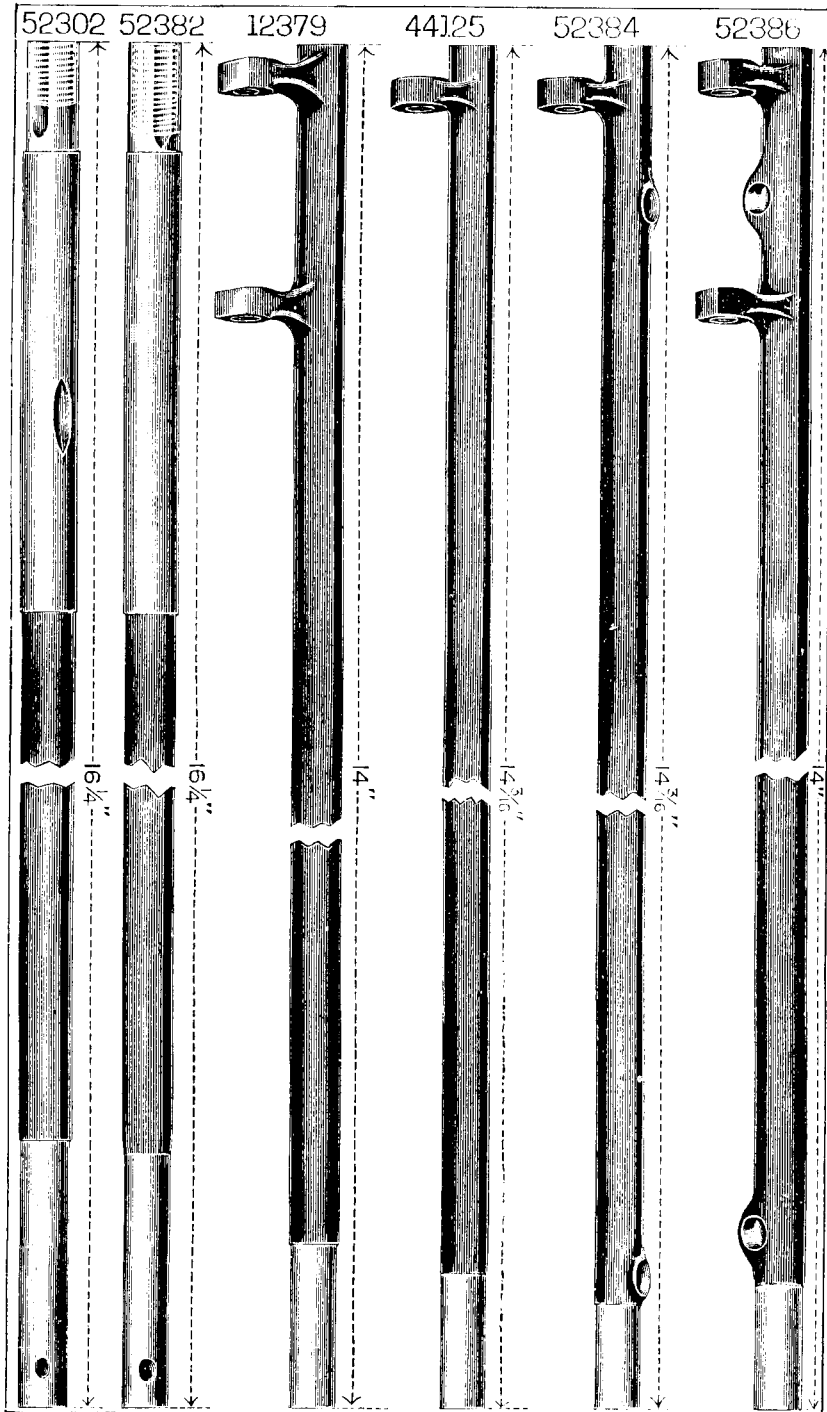




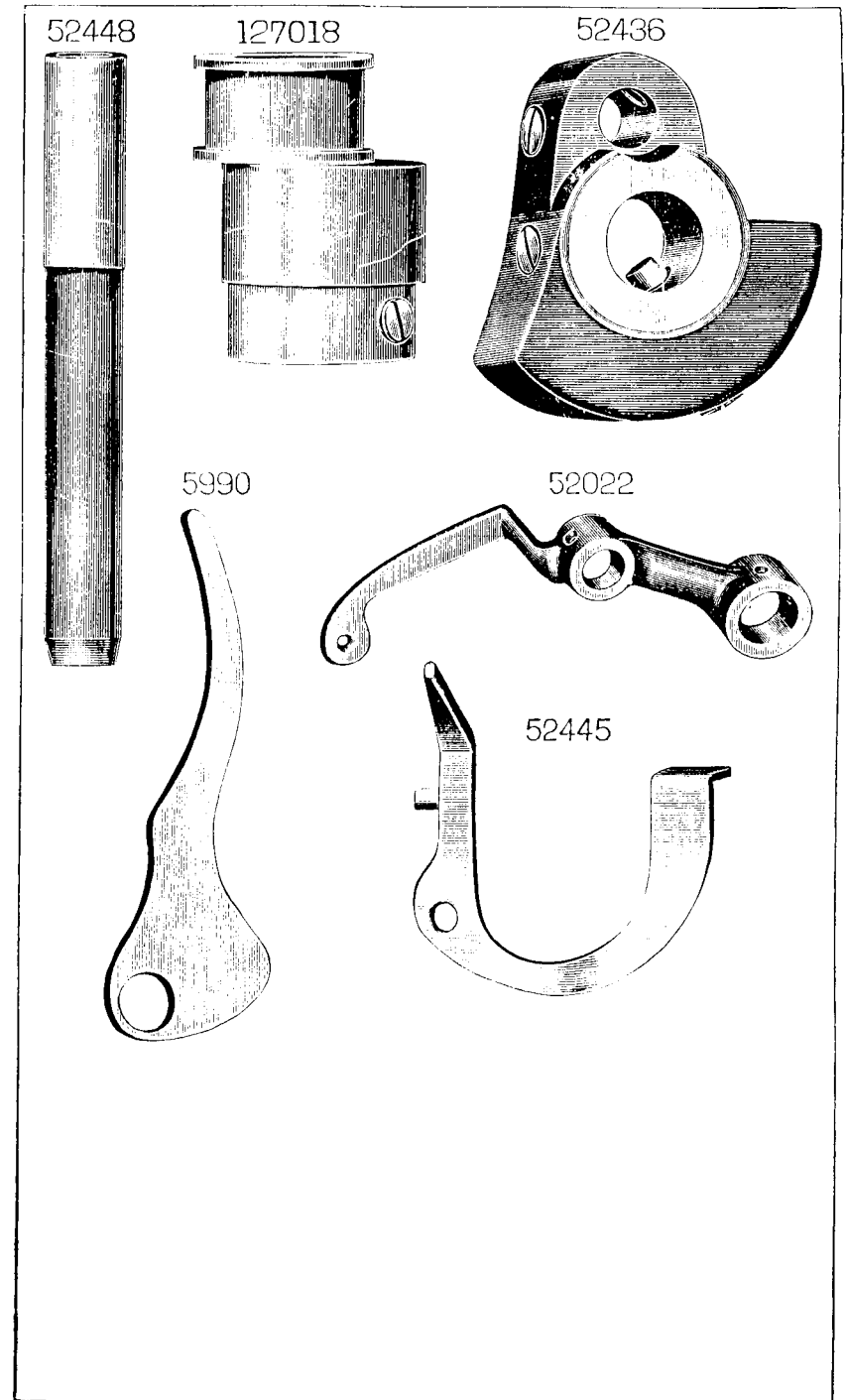
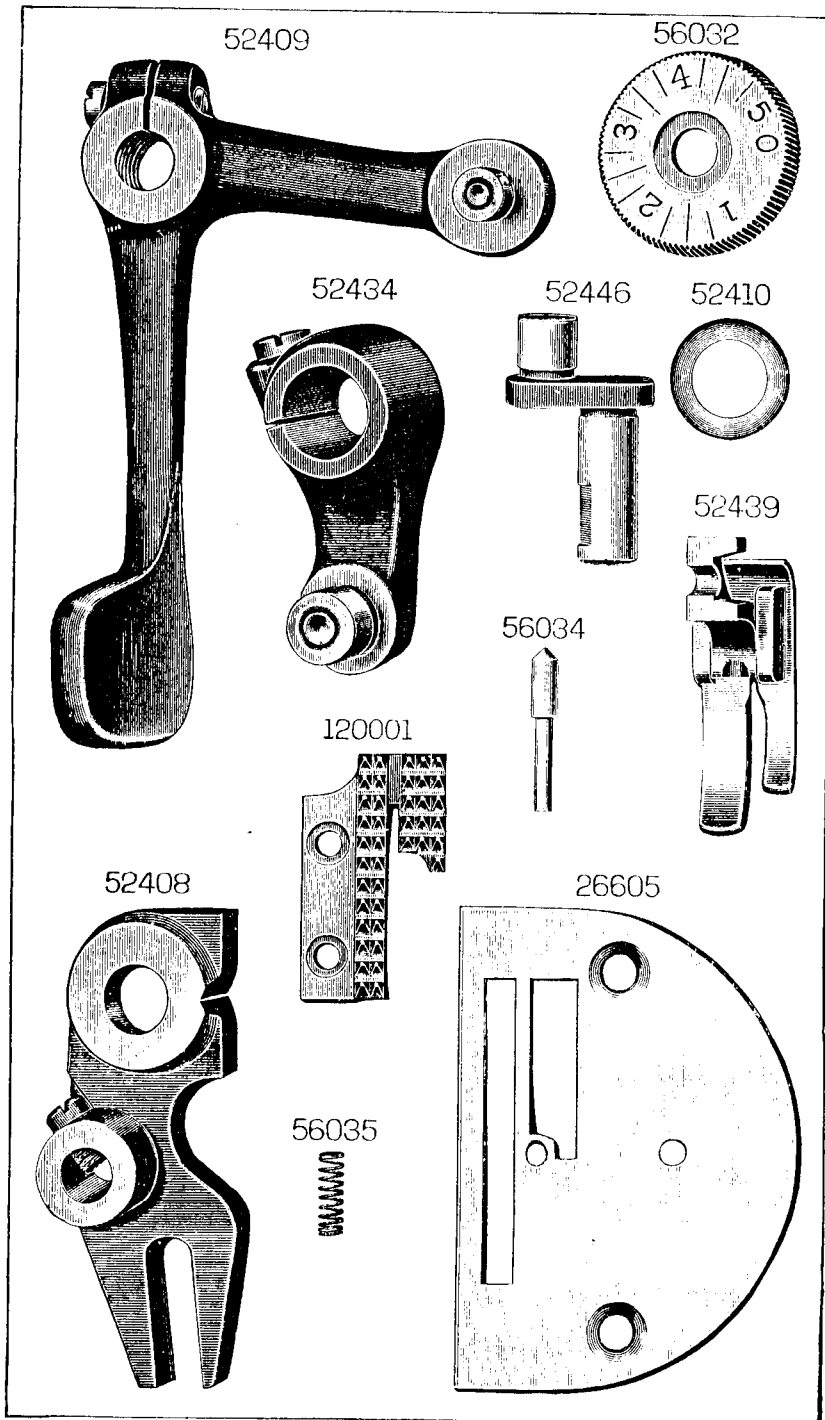


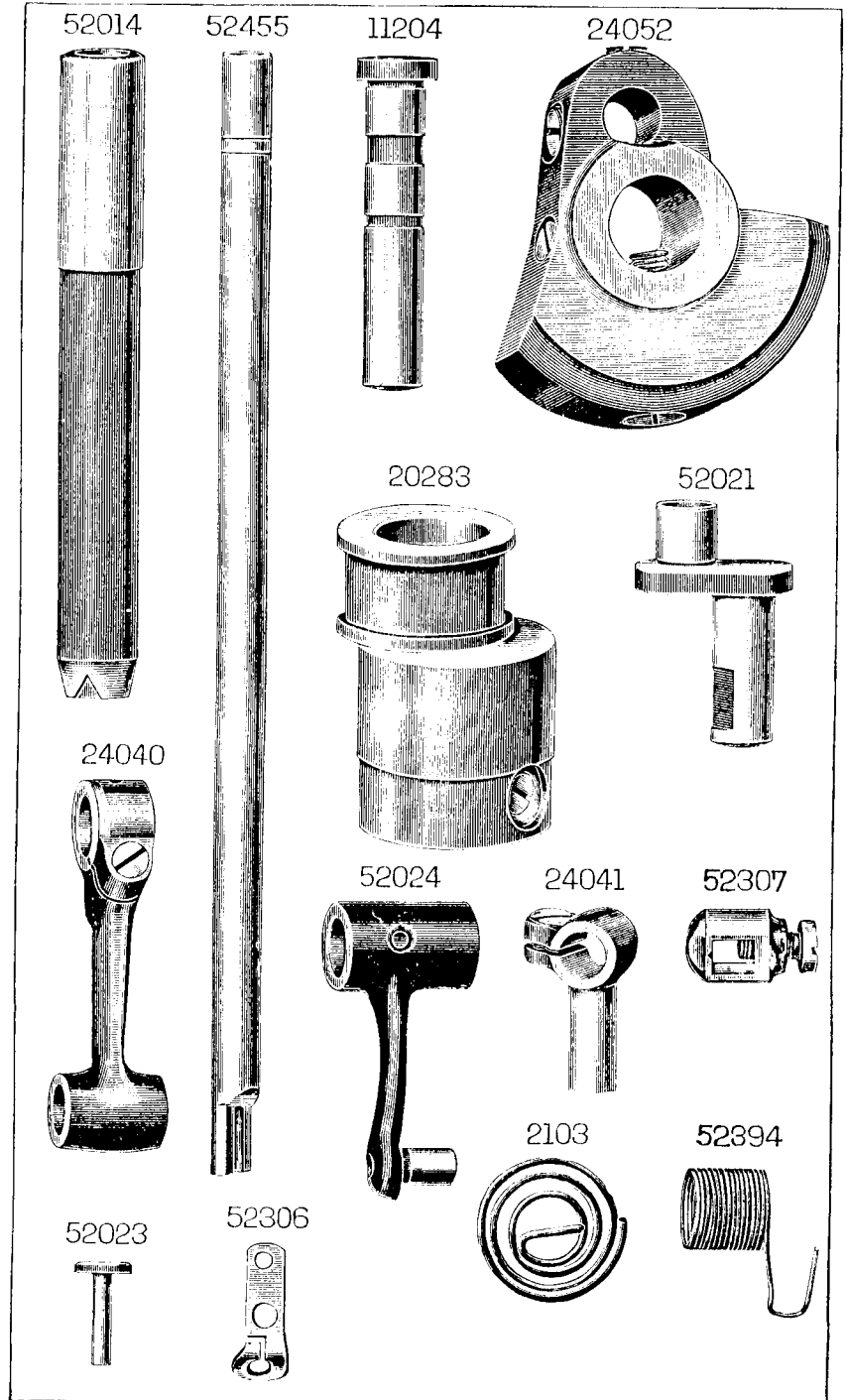
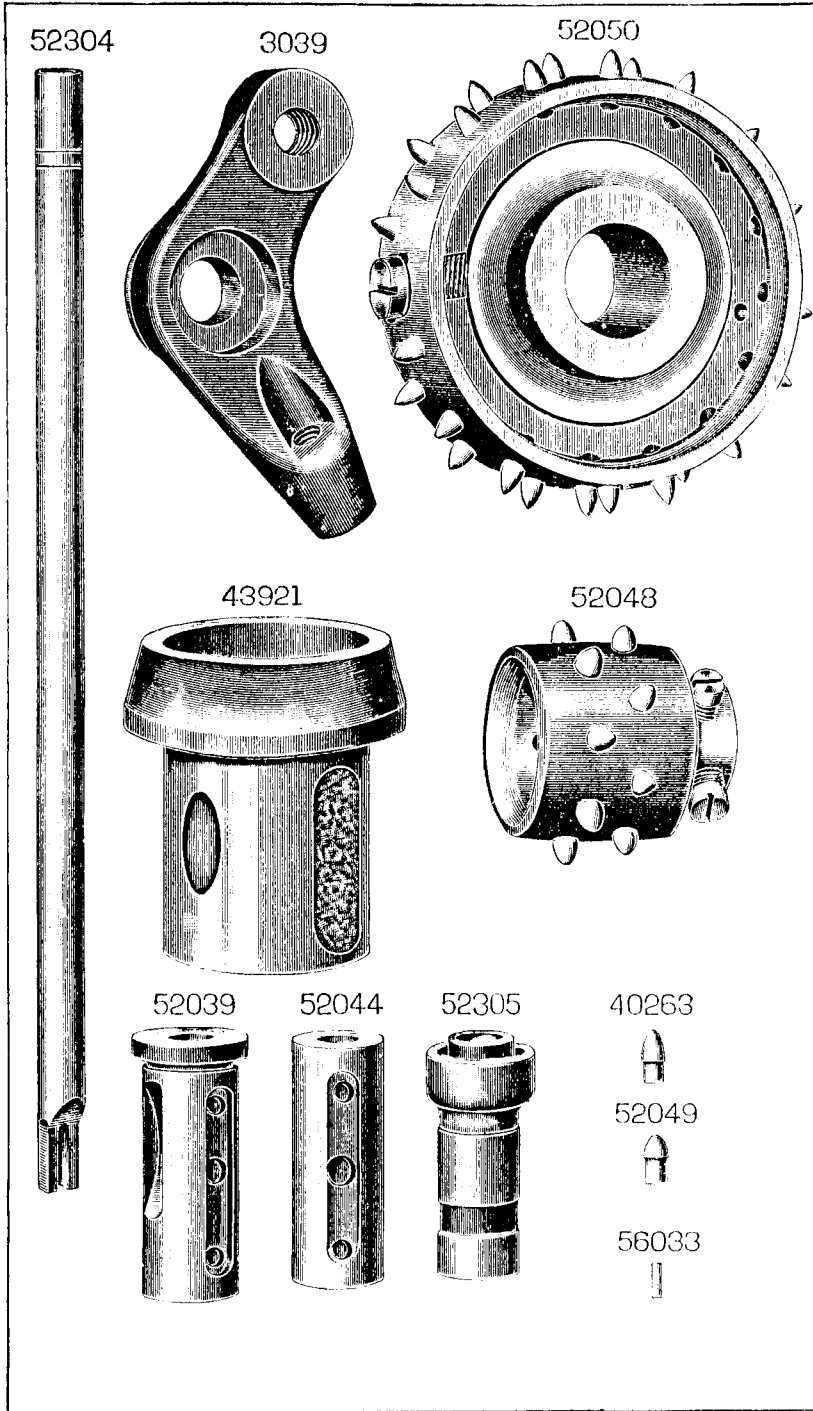


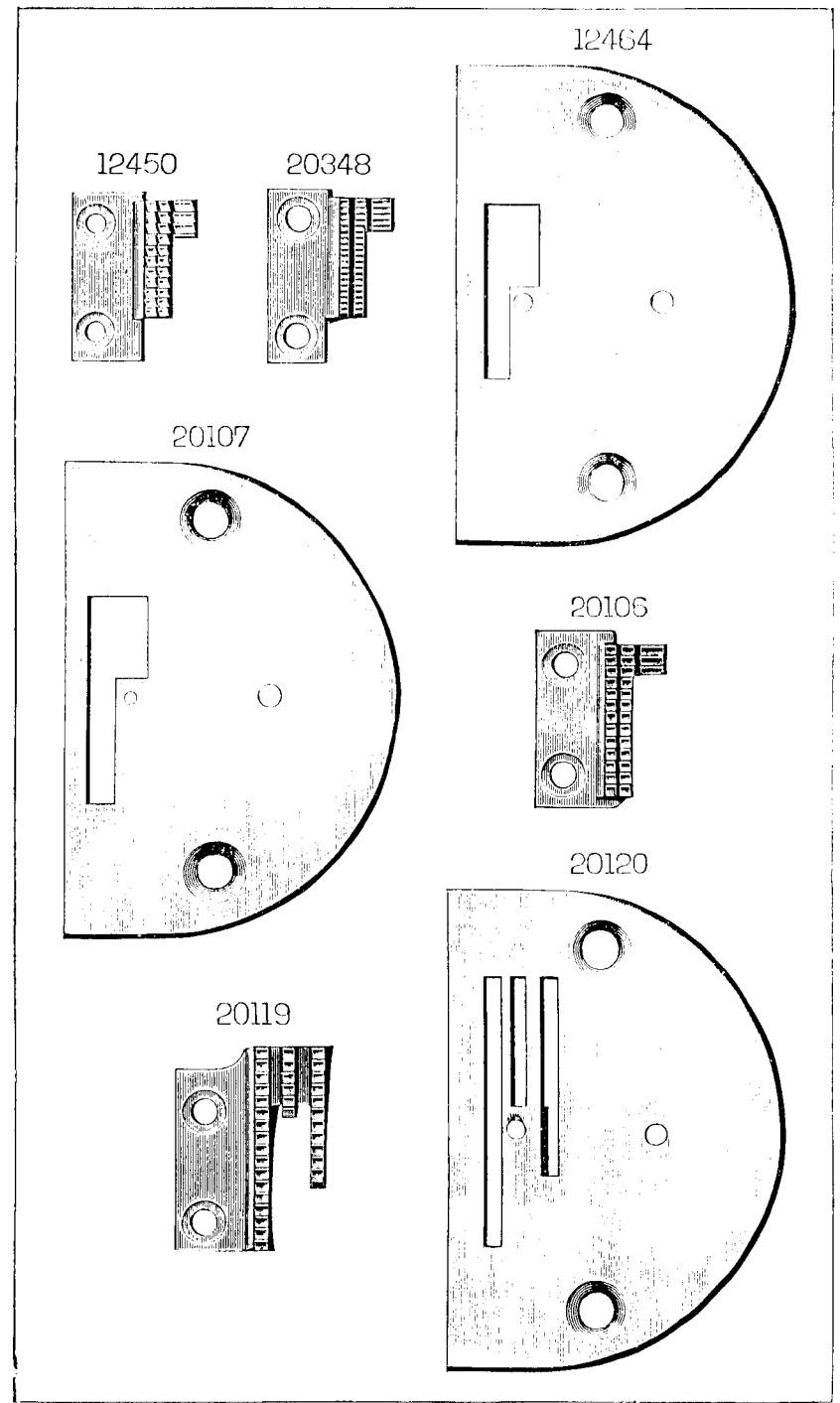
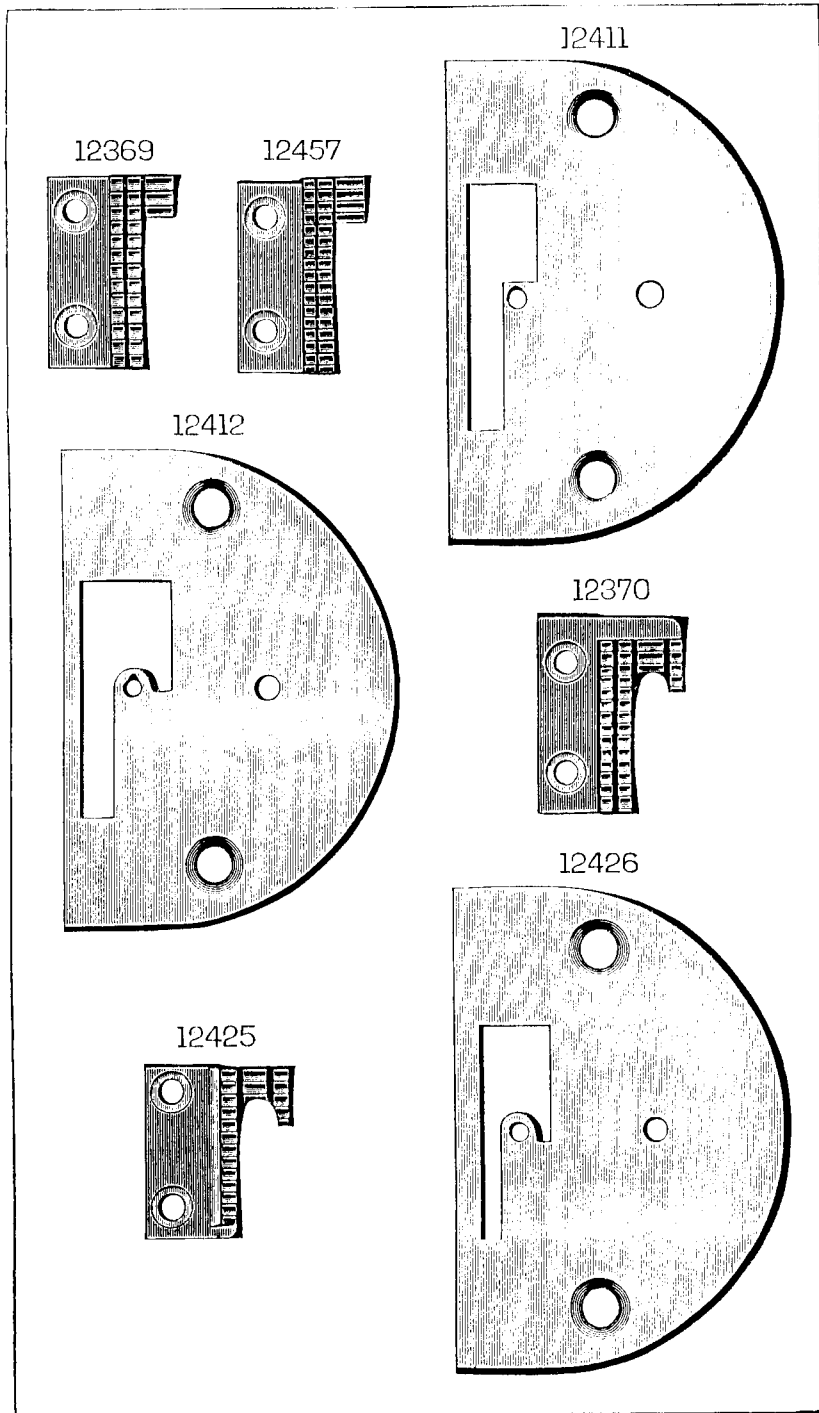


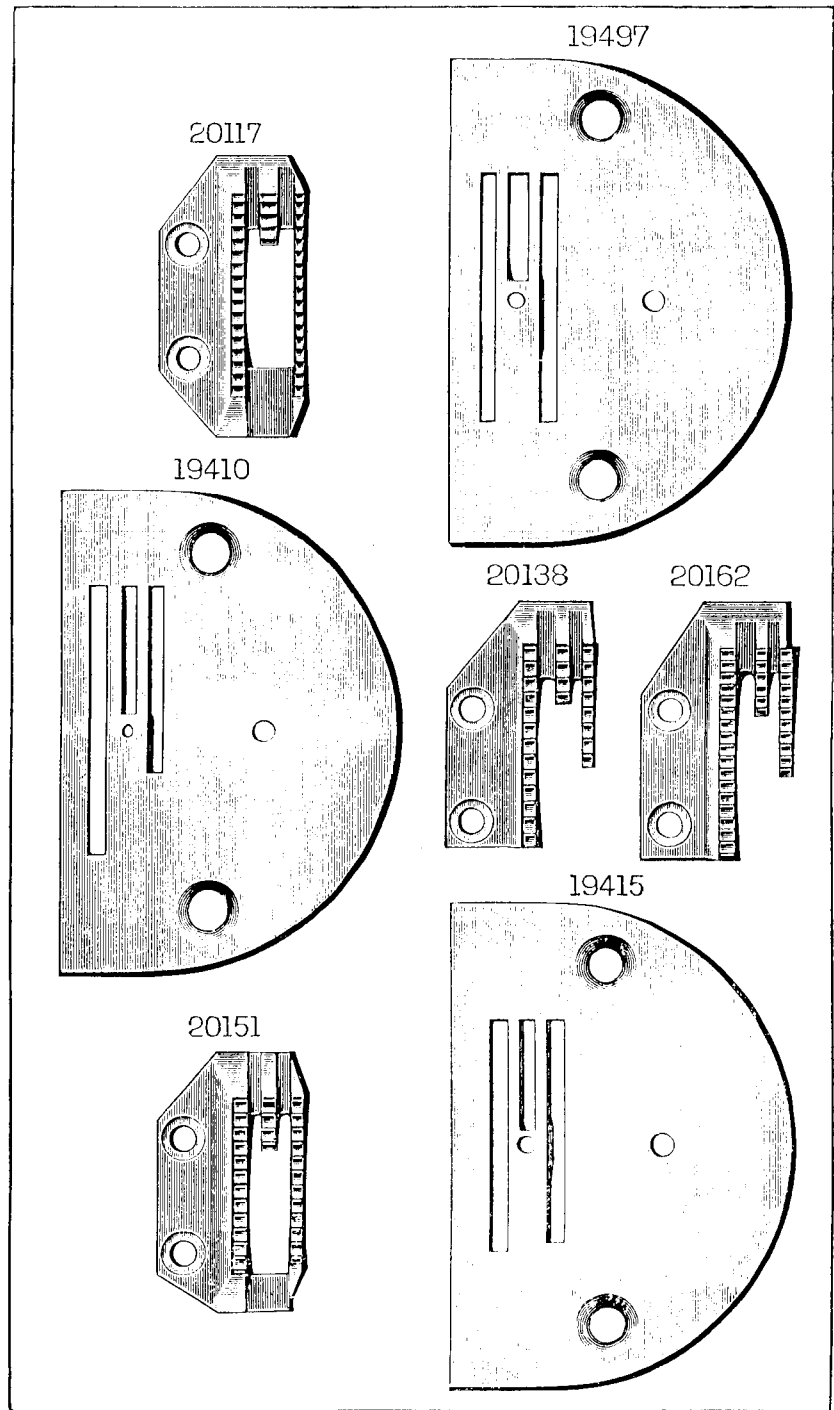
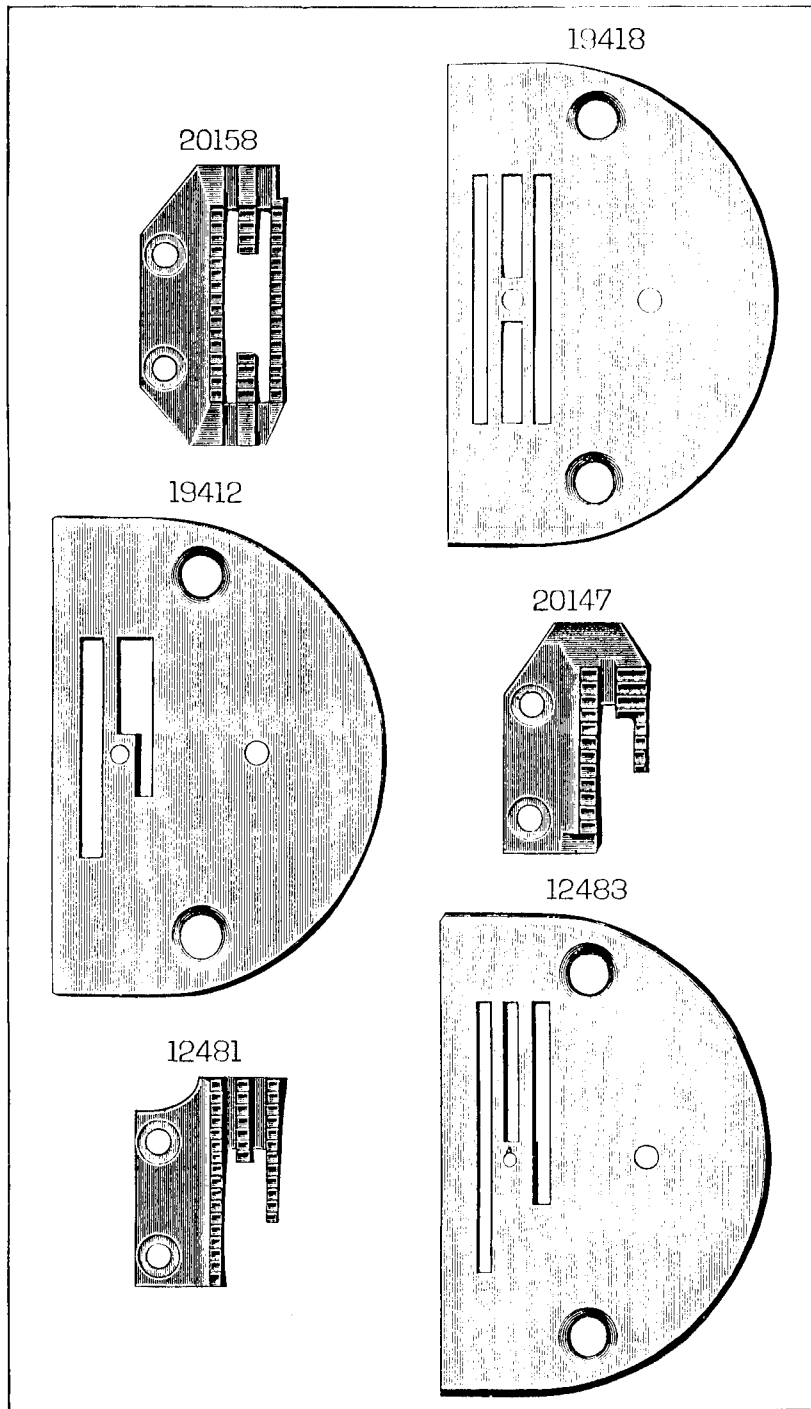


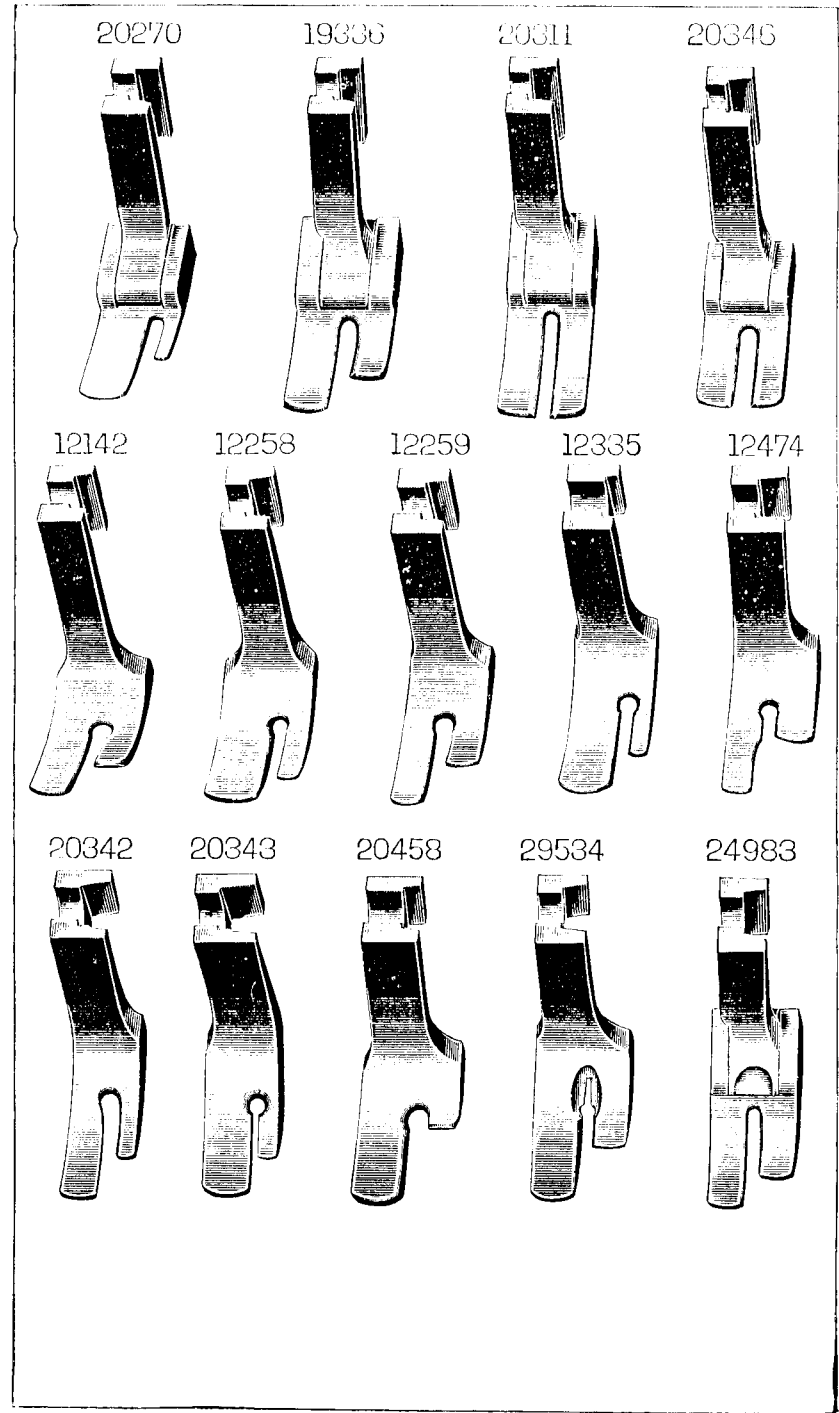
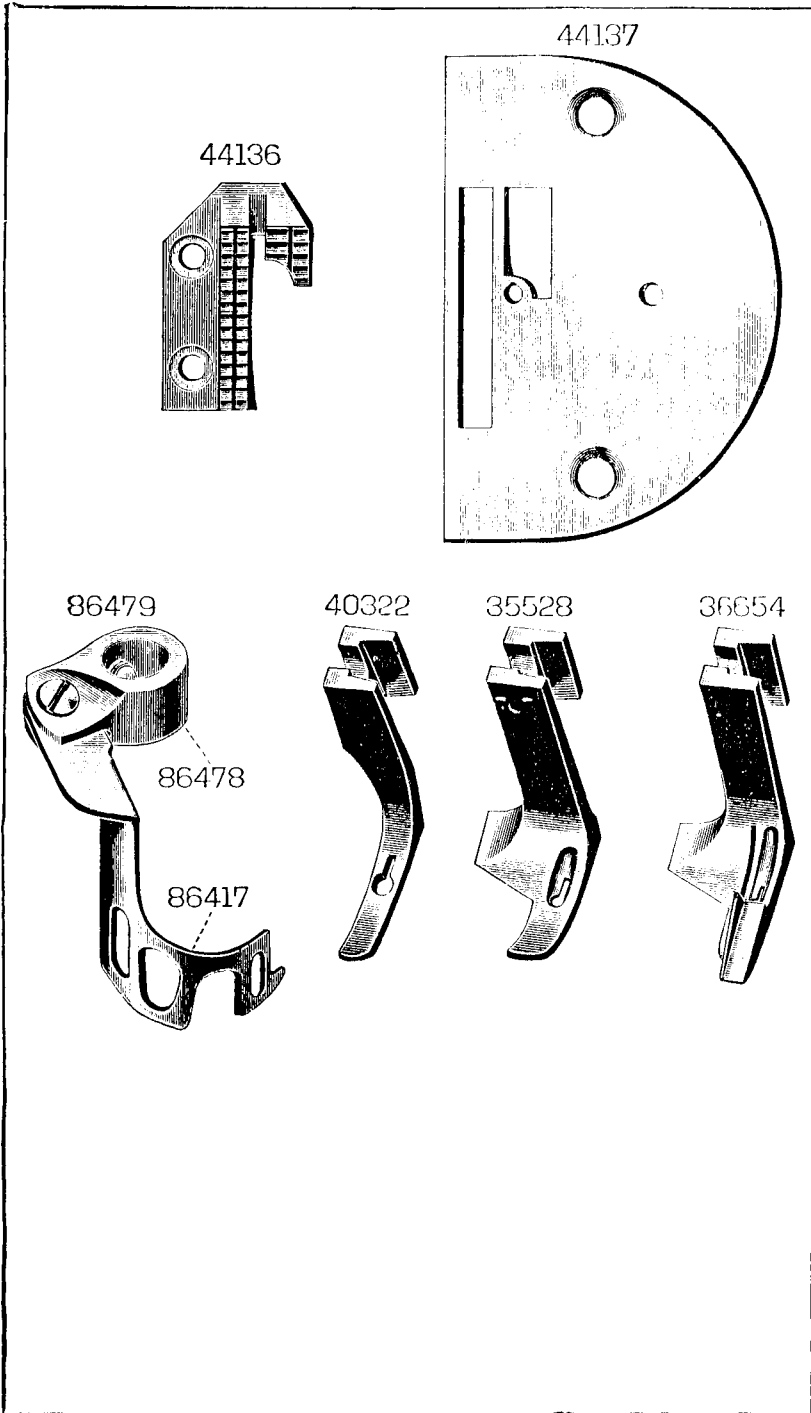


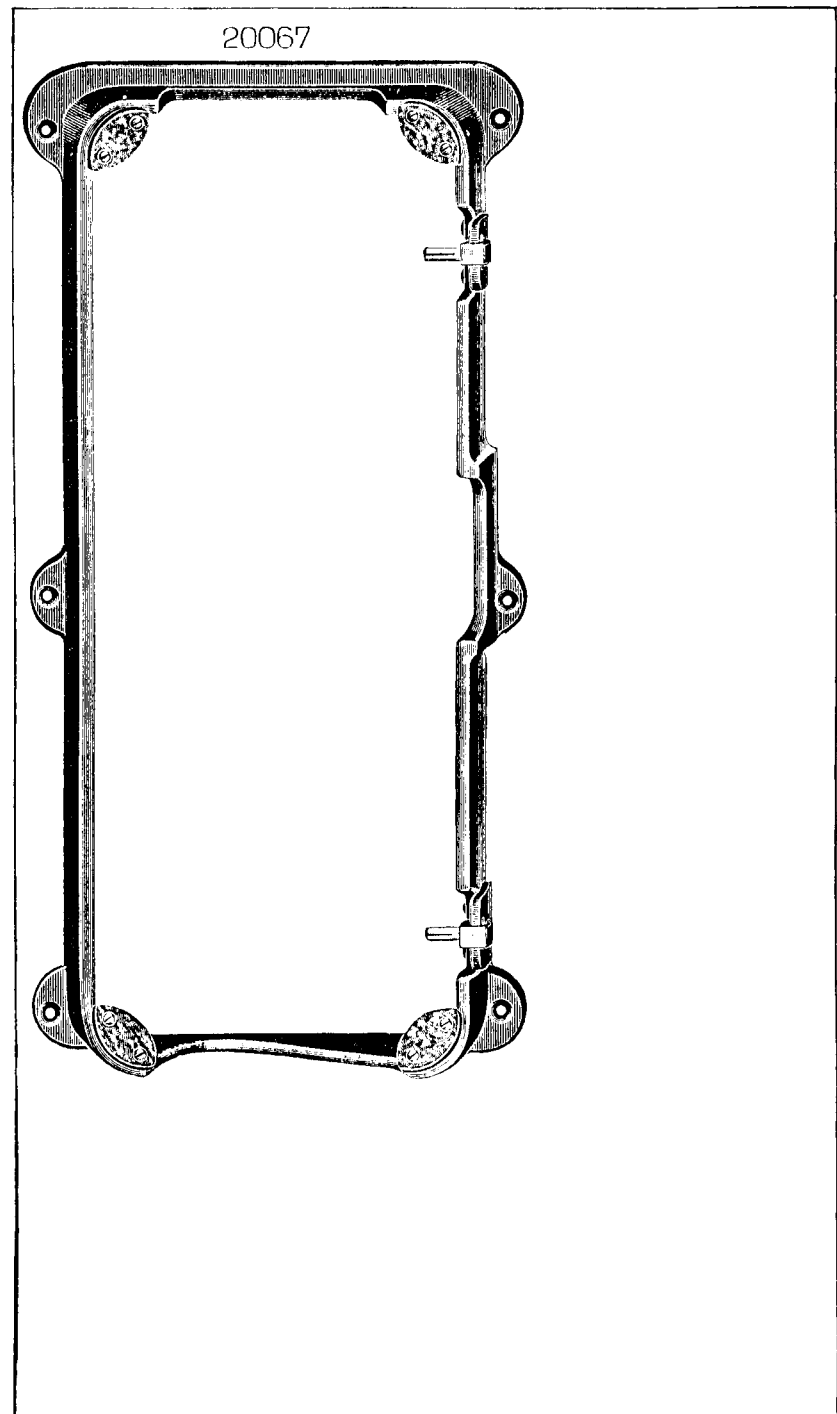
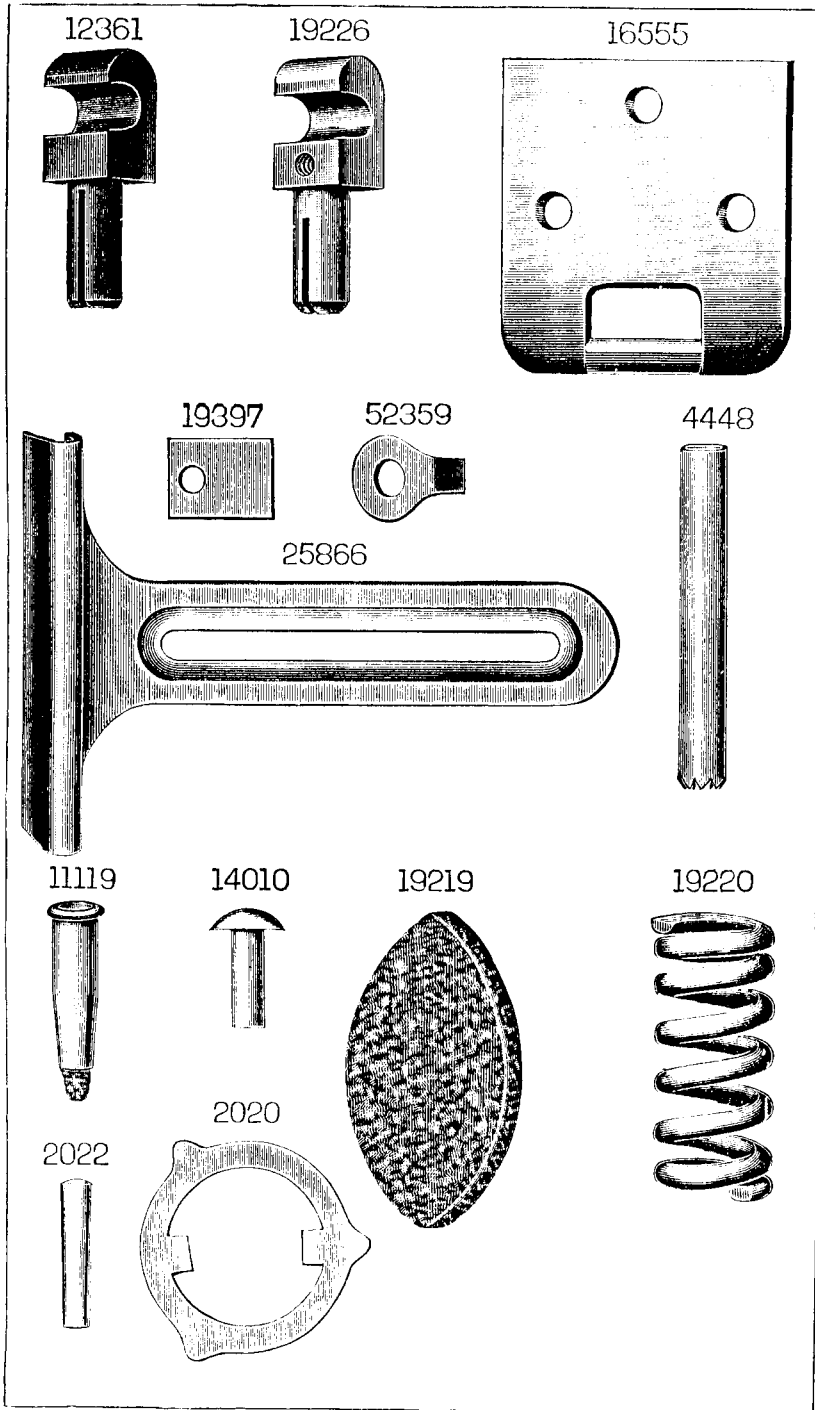


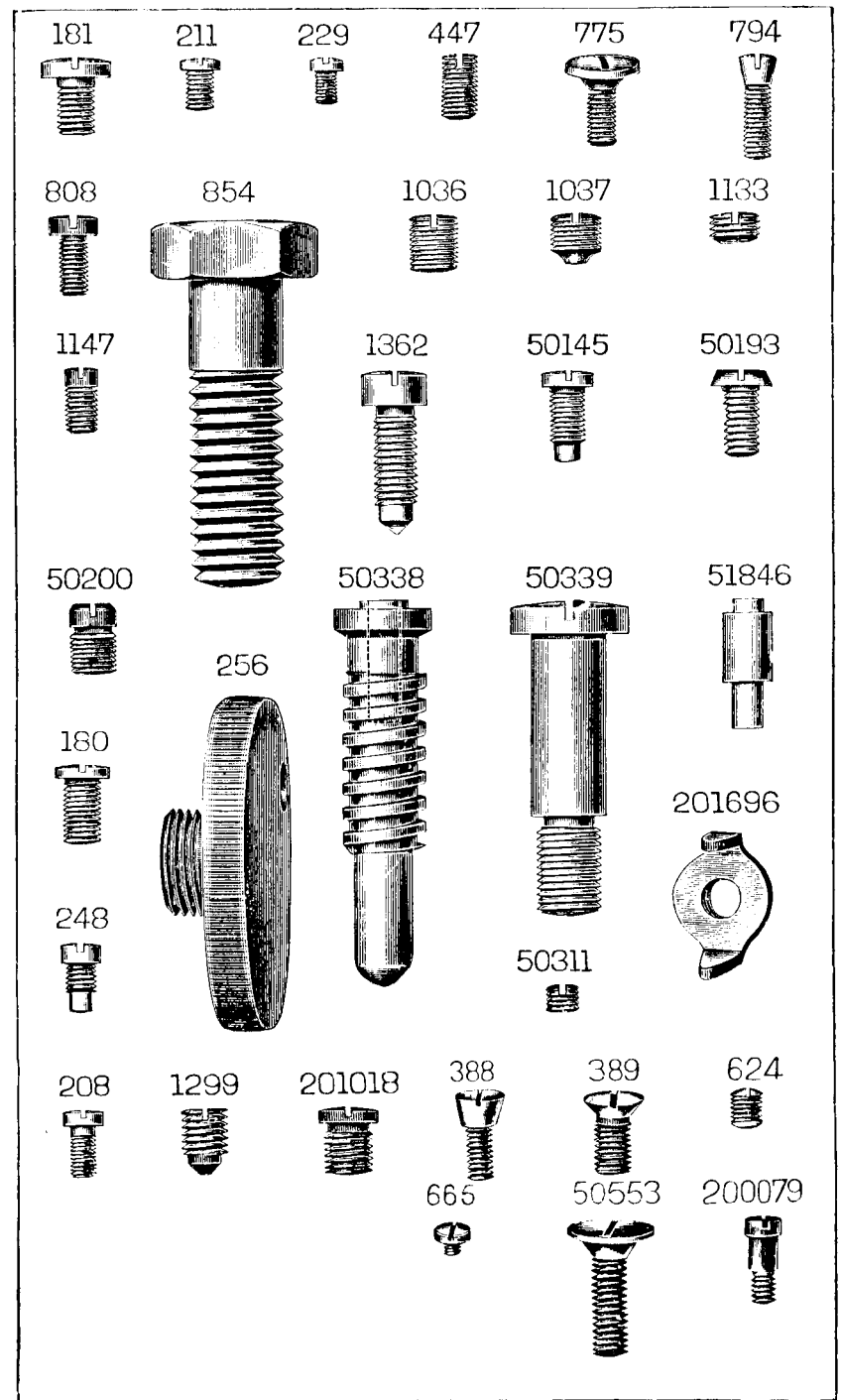
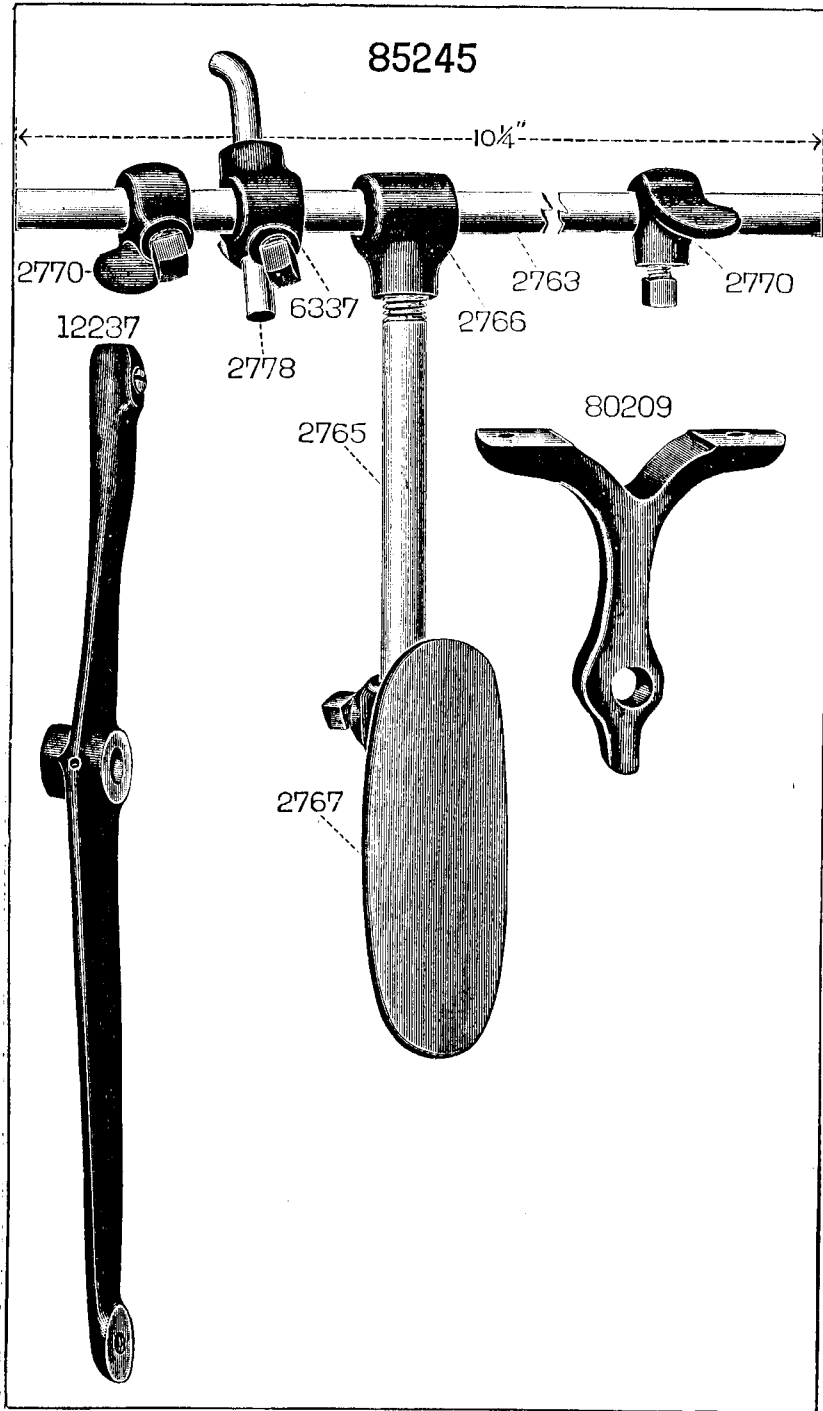


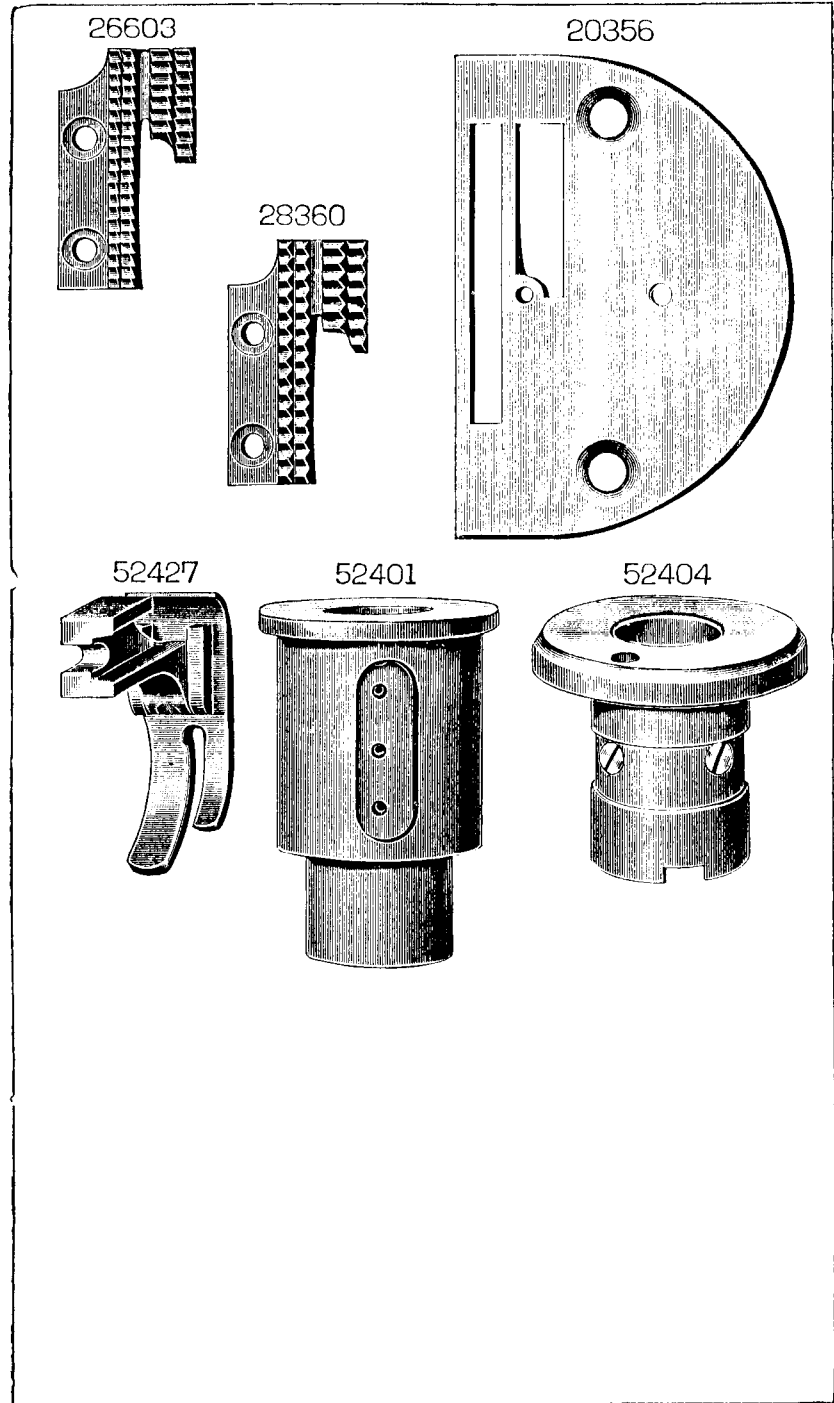
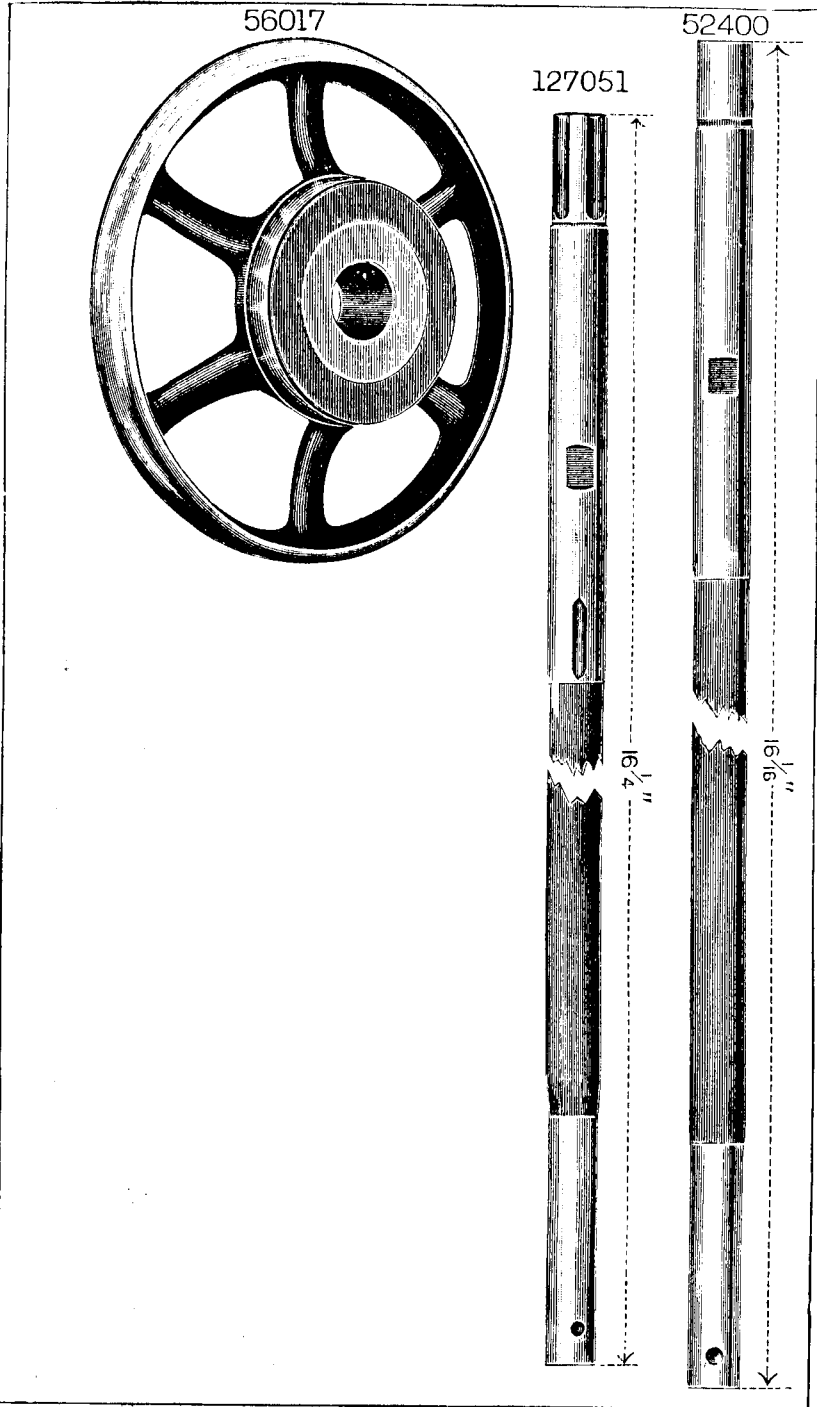




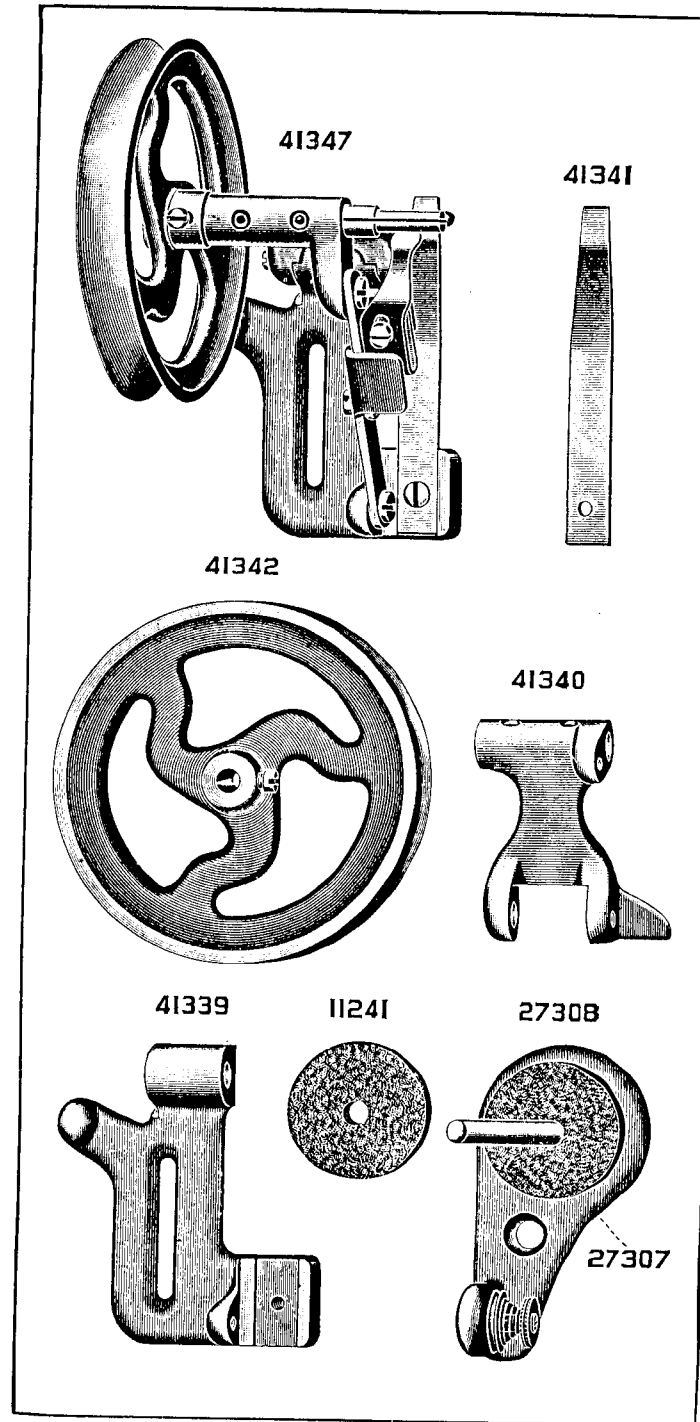
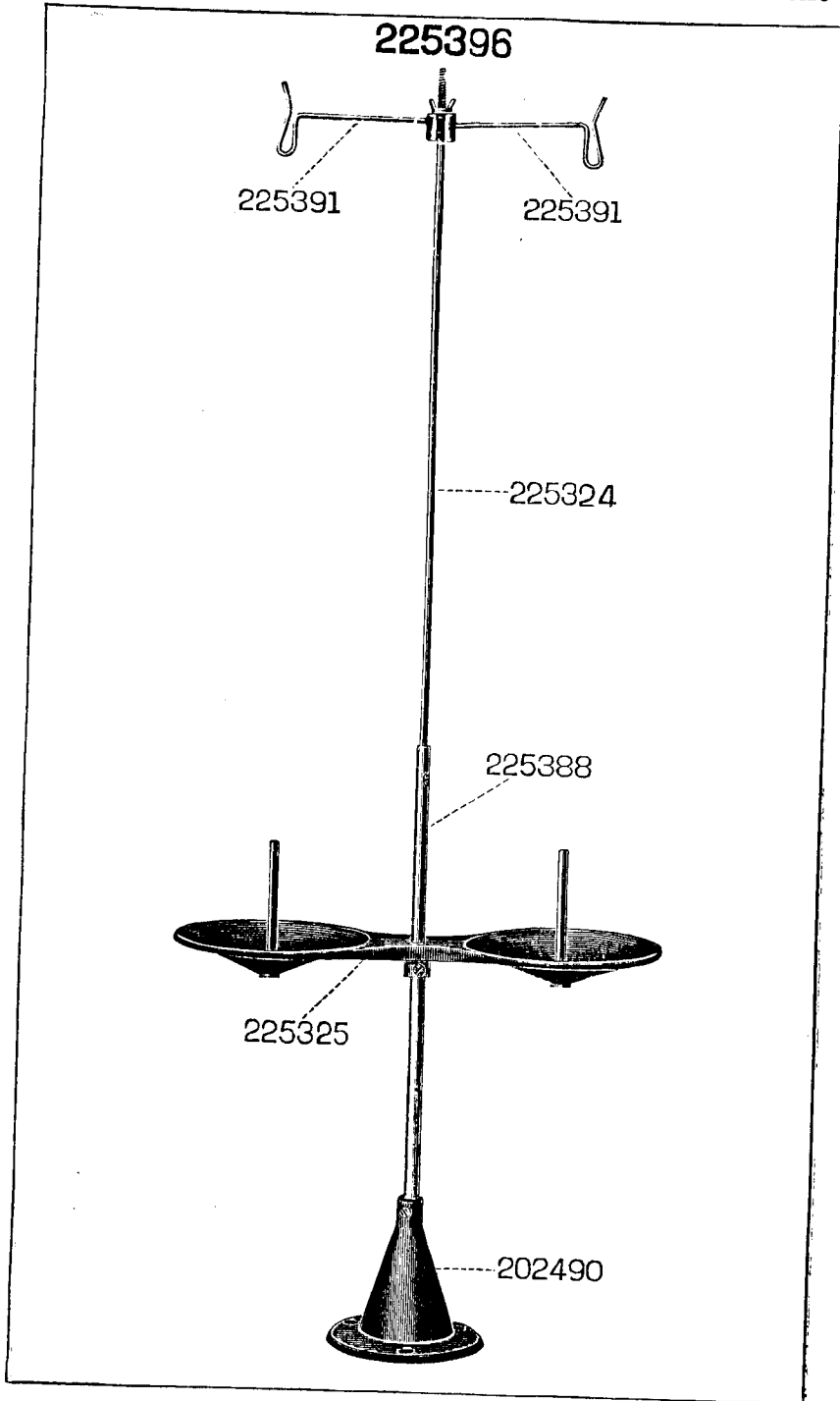


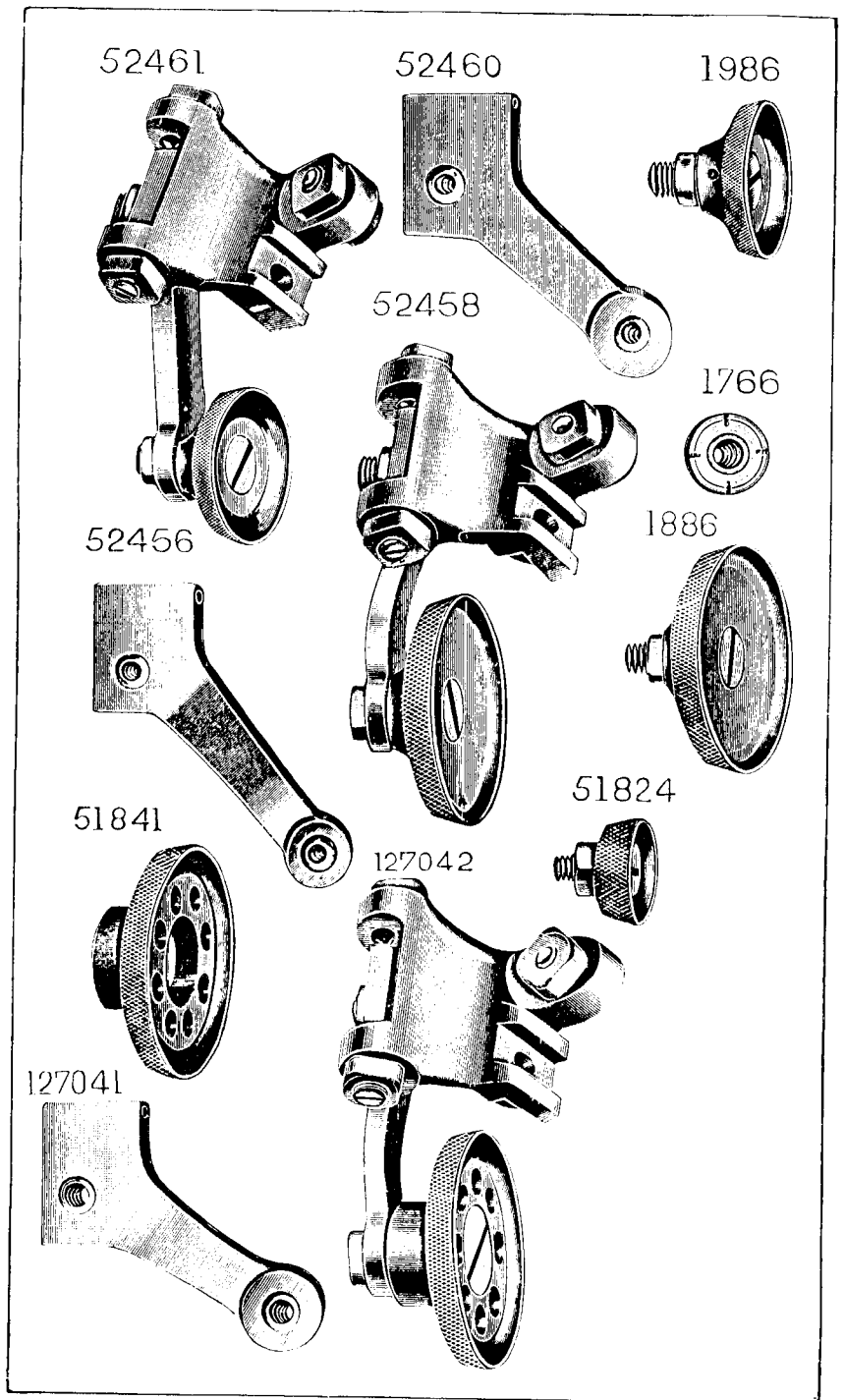
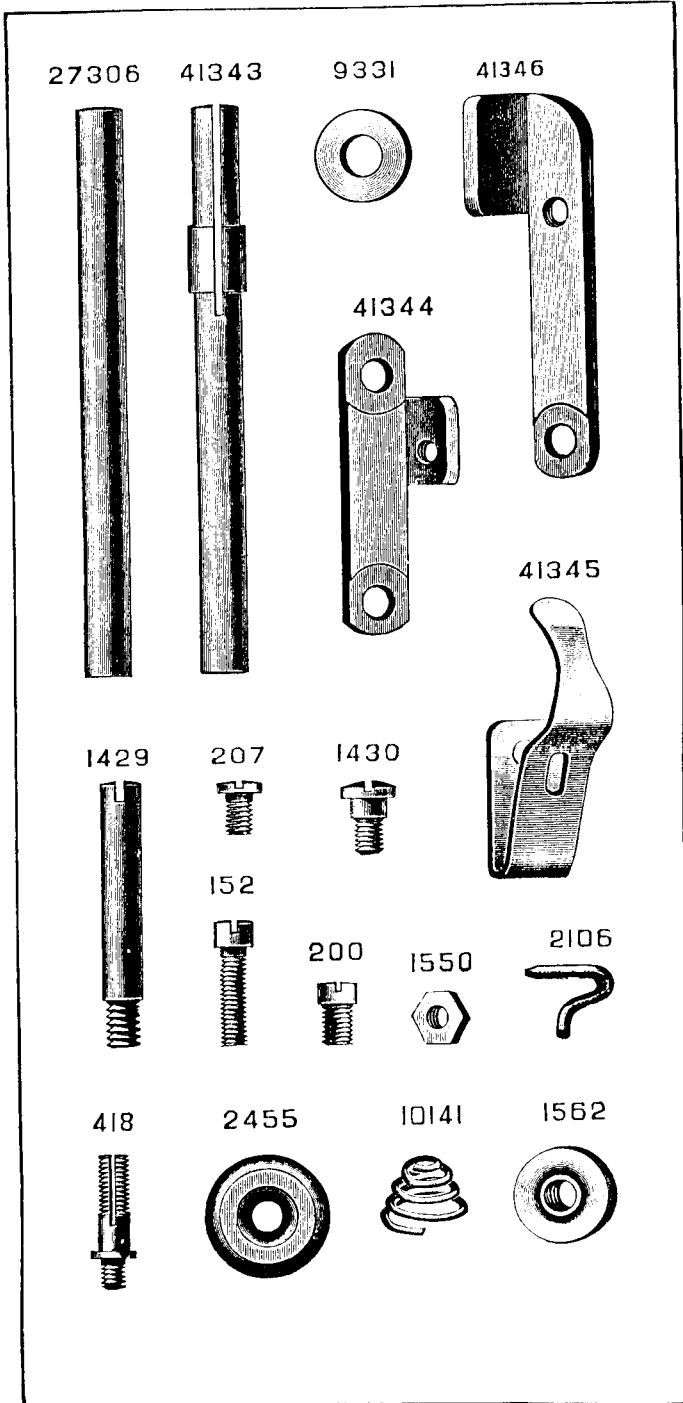












127046 52464



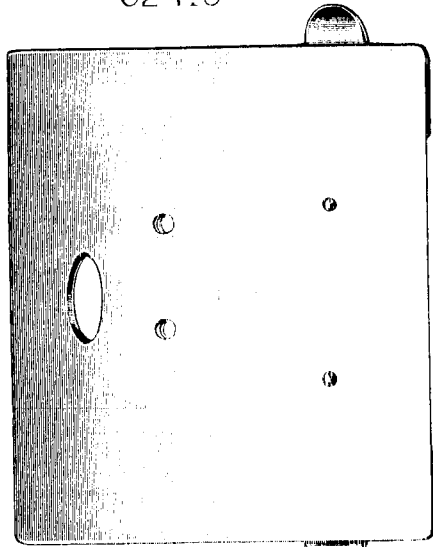
52415



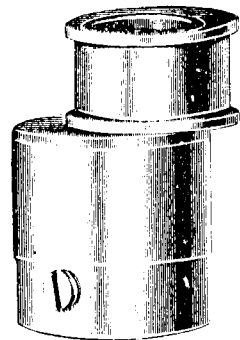
127045



52418



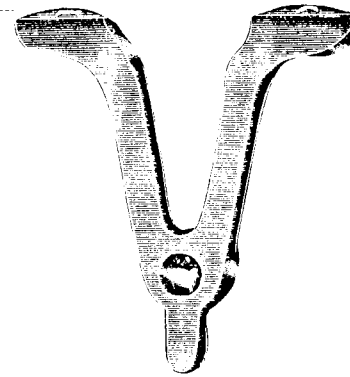
127014



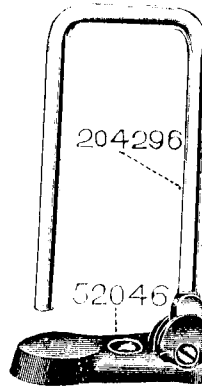
127047



97502



52047

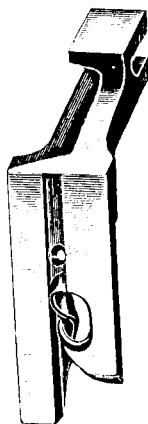


204296

52046

*C/S*

86546



86539

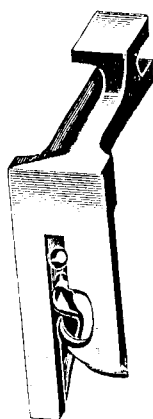
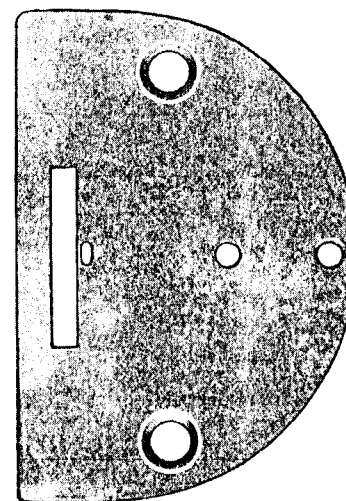
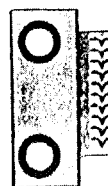


PLATE 7699—FULL SIZE

24443



12436



12438

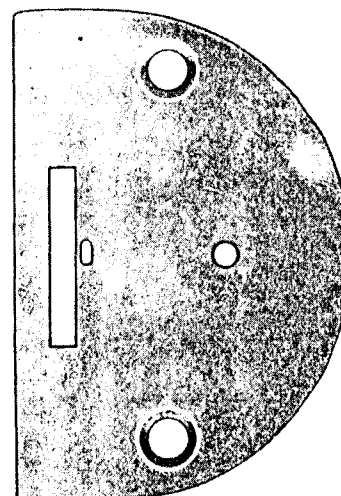


PLATE 7701-FULL SIZE

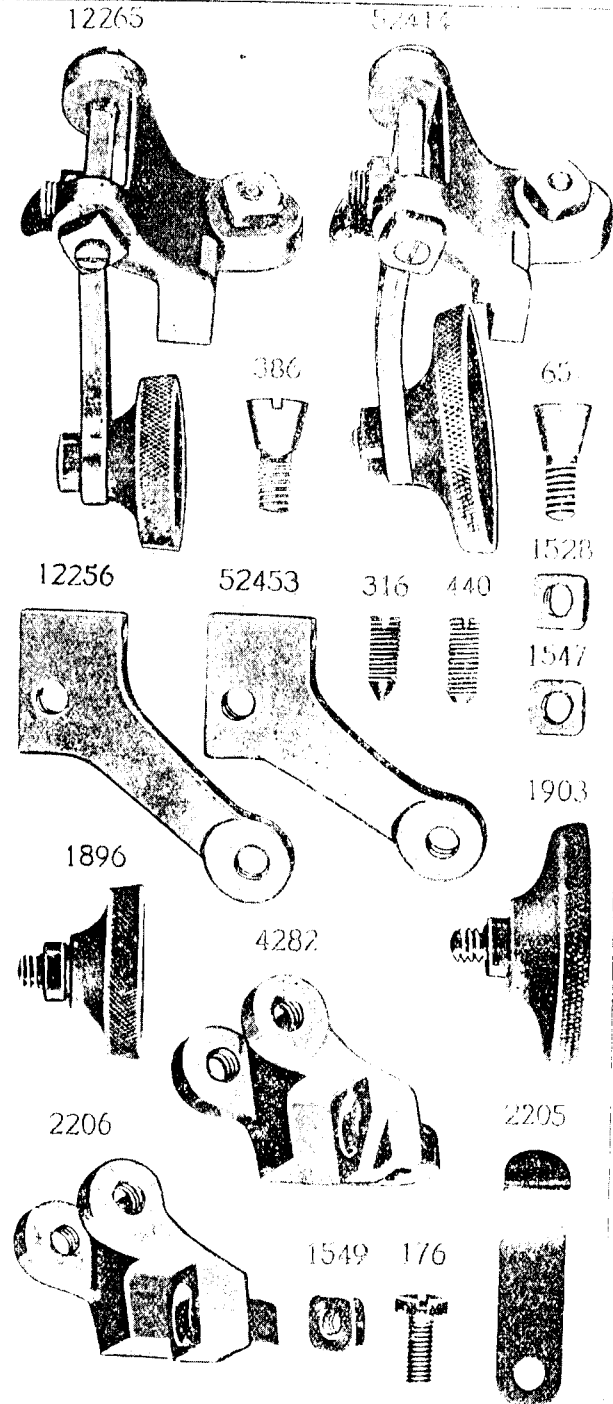


PLATE 7703-FULL SIZE

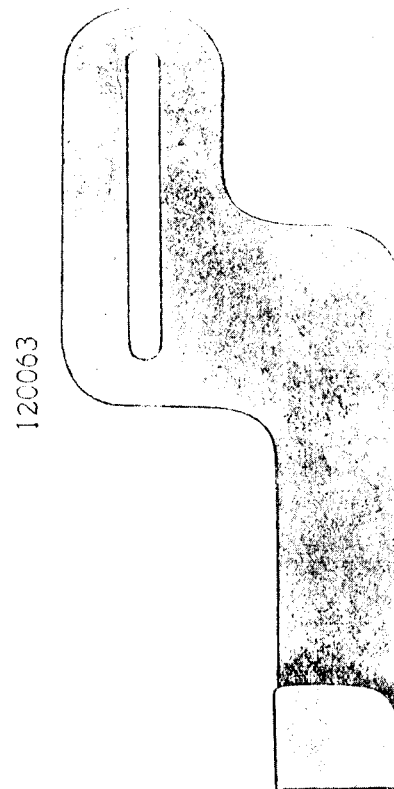
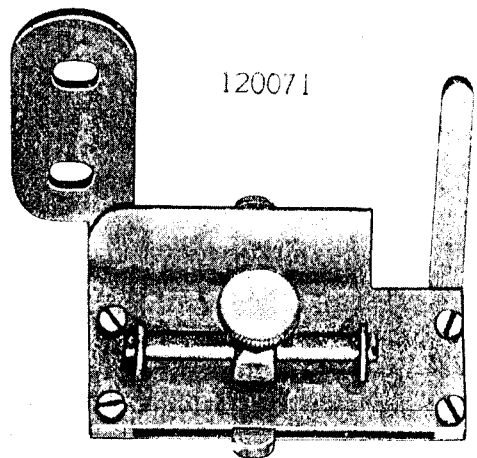
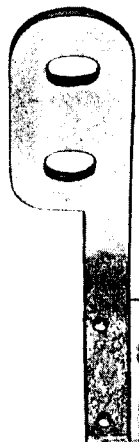


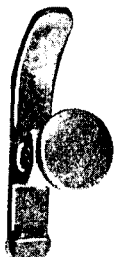
PLATE 7704—FULL SIZE



120067



120068



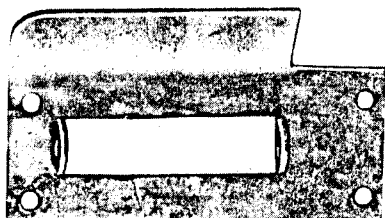
120069



291



120070



1423

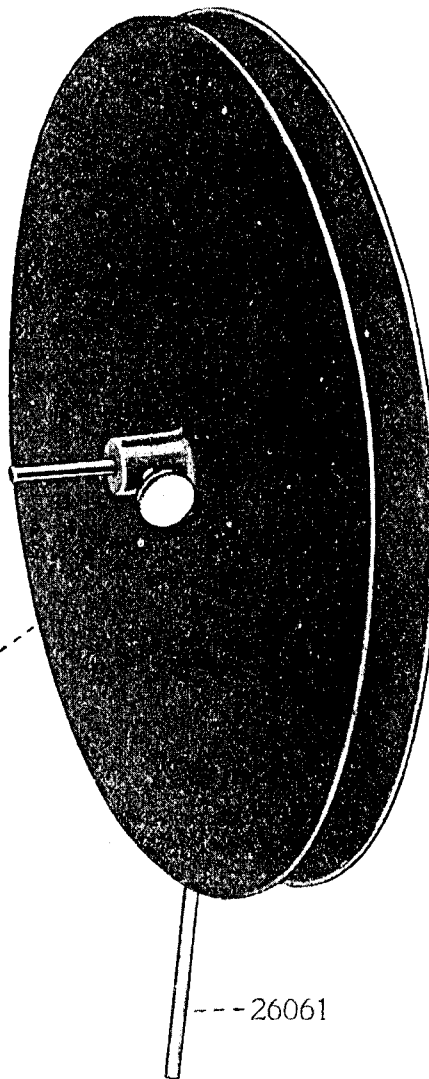


50169



PLATE 7708—ONE-HALF SIZE

26063



26062

---26061

# CONTENTS.

**ILLUSTRATED LIST OF  
PARTS FOR CLASS 96K  
MACHINES**

								<i>Page</i>
Parts, special, to No. 96K3 Machine- Obsolete	...	...	...	...	...	...	...	105
Parts, complete, for 96K10 Machine	...	...	...	...	...	...	...	69
"        "        "    96K12    "	...	...	...	...	...	...	...	77
"        "        "    96K13    "	...	...	...	...	...	...	...	84
"        "        "    96K14    "	...	...	...	...	...	...	...	91
"        "        "    96K16    "	...	...	...	...	...	...	...	99
Accessories	...	...	...	...	...	...	...	106
Attachments	...	...	...	...	...	...	...	109
Bobbin Winders	...	...	...	...	...	...	...	107
Iron Base	...	...	...	...	...	...	...	106
Knee Lifter	...	...	...	...	...	...	...	118
Numerical List of Parts	...	...	...	...	...	...	...	121
Tape Holder	...	...	...	...	...	...	...	119
Thread Unwinder	...	...	...	...	...	...	...	119







No.	Plate						
12376	1498	<b>Feed Lifting Rock Shaft Crank</b> with 157c and 1813	...	...	...	...	...
157c	1324	" " " " " Clamping Screw	...	...	...	...	...
1813	1498	" " " " " Roller and Stud	...	...	...	...	...
50191c	1325	" " " " " Screw Centre (2)	...	...	...	...	...
1513j	1317	" " " " " Nut (2)	...	...	...	...	...
52385	---	<b>Feed Lifting Rock Shaft, complete, Nos. 12376 and 52384</b>	...	...	...	...	...
52074	1323	<b>Feed Regulator</b> with 50083c	...	...	...	...	...
1128e	1325	" " Hinge Screw	...	...	...	...	...
818d	1325	" " Thumb Screw	...	...	...	...	...
52359	1512	" " " " " Stop	...	...	...	...	...
<i>NOTE. No. 52359 is only supplied when specified on order.</i>							
52386	1500	<b>Feed Rock Shaft</b>	...	...	...	...	...
29633	1498	" " " " " Crank with 157c	...	...	...	...	...
157c	1324	" " " " " Clamping Screw	...	...	...	...	...
50191c	1325	" " " " " Screw Centre (2)	...	...	...	...	...
1513j	1317	" " " " " Nut (2)	...	...	...	...	...
52387	---	<b>Feed Rock Shaft, complete, Nos. 29633 and 52386</b>	...	...	...	...	...
25866	1512	<b>Guide</b>	...	...	...	...	...
50190b	1325	" Thumb Screw	...	...	...	...	...
52455	1505	<b>Needle Bar</b> (hollow)	...	...	...	...	...
52305	1504	" " Bushing (lower) with 29532	...	...	...	...	...
1133e	1515	" " " " " ( " ) Set Screw	...	...	...	...	...
52044	1505	" " " " " (upper)	...	...	...	...	...
1133e	1515	" " " " " ( " ) Set Screw	...	...	...	...	...
24040	1505	" " " " " Connecting Link with 794c	...	...	...	...	...
24894	"	" " " " " 24040 with 24041	...	...	...	...	...
794c	1515	" " " " " Adjusting Screw	...	...	...	...	...
775e	1515	" " " " " Cap Screw	...	...	...	...	...
24041	1505	" " " " " Stud with 207c	...	...	...	...	...
207c	558	" " " " " Clamping Screw	...	...	...	...	...
24052	1505	" " " " " Crank with 858c, 1036c, 1037c and 1063c	...	...	...	...	...
1063c	1325	" " " " " Position Screw	...	...	...	...	...
858c	1325	" " " " " Set Screw	...	...	...	...	...
29532	1498	" " " " " Oil Cup	...	...	...	...	...
52306	1505	" " " " " Thread Guard	...	...	...	...	...
229d	1515	" " " " " Screw	...	...	...	...	...
52307	1505	" " " " " Clamp with 808f	...	...	...	...	...
808f	1515	" " " " " Screw	...	...	...	...	...
12394	1497	<b>Presser Bar</b> (hollow)	...	...	...	...	...
52338	1316	" " " " " Guide Bracket with 223c and 453c	...	...	...	...	...
453c	1316	" " " " " Set Screw	...	...	...	...	...
52016	1316	" " " " " Lifter	...	...	...	...	...
689c	1316	" " " " " Screw	...	...	...	...	...

No.	Plate						
1529r	1317	<b>Presser Bar Lifter Screw Nut</b>	...	...	...	...	...
12327	1316	" " " " " Lifting and Releasing Lever Bracket	...	...	...	...	...
14167	1497	" " " " " Spring	...	...	...	...	...
14170	1316	" " " " " Washer	...	...	...	...	...
20458	1511	<b>Presser Foot</b> for 14136	...	...	...	...	...
12143	972	" " " " " 12369, 12457 and 20106	...	...	...	...	...
12335	1511	" " " " " (narrow) for 12369, 12457 and 20106	...	...	...	...	...
12258	1511	" " " " " (wide) for 12369, 12457 and 20106	...	...	...	...	...
12142	1511	" " " " " for 12370	...	...	...	...	...
12259	1511	" " " " " 12425	...	...	...	...	...
12144	972	" " " " " 20447, 20438, 20447, 20451, 20438 and 20461	...	...	...	...	...
12260	972	" " " " " 12450, 20447 and 20348	...	...	...	...	...
12474	1511	" " " " " 20438 and 20462	...	...	...	...	...
20342	1511	" " " " " 12450 and 20348	...	...	...	...	...
20343	1511	" " " " " with guide on bottom to the right of needle plate, for 12569, 12450, 12457 and 20348	...	...	...	...	...
12261	972	" " " " " for 12481	...	...	...	...	...
62527	---	<b>Presser Foot</b> Hinge Pin	...	...	...	...	...
24544	"	" " " " " Plate	...	...	...	...	...
24982	"	" " " " " Head	...	...	...	...	...
26231	1498	" " " " " Spring	...	...	...	...	...
24983	1511	<b>Presser Foot</b> (frame, lugged), complete, Nos. 24544, 24982, 26231 and 62527, for 12425 and 20449	...	...	...	...	...
7298	1498	" " " " " Hinge Pin	...	...	...	...	...
19334	"	" " " " " Plate	...	...	...	...	...
19335	"	" " " " " Shank	...	...	...	...	...
19336	1511	<b>Presser Foot</b> (lugged), complete, Nos. 7298, 19334 and 19335, for 12370	...	...	...	...	...
7298	1498	" " " " " Hinge Pin	...	...	...	...	...
20268	"	" " " " " Plate	...	...	...	...	...
20269	"	" " " " " Shank	...	...	...	...	...
20270	1511	<b>Presser Foot</b> (lugged), complete, No. 7298, 20268, and 20269 for 12369, 12457 and 20106	...	...	...	...	...
2532	1498	" " " " " Hinge Pin	...	...	...	...	...
20310	"	" " " " " Plate	...	...	...	...	...
19223	"	" " " " " Shank	...	...	...	...	...
20311	1511	<b>Presser Foot</b> (lugged), complete, No. 2532, 19223 and 20310, for 20447, 20438, 20447, 20451, 20458 and 20462	...	...	...	...	...
2532	1498	" " " " " Hinge Pin	...	...	...	...	...
20344	"	" " " " " Plate	...	...	...	...	...
20345	"	" " " " " Shank	...	...	...	...	...
26231	1498	" " " " " Spring	...	...	...	...	...

No.	Plate	
20346	1511	<b>Presser Foot</b> (spring, hinged), complete, Nos. 2532, 20344, 20345 and 26231, for 20117, 20138, 20147, 20151, 20158 and 20162
190d	1324	" " Screw ... ..
<i>NOTE: Presser Foot No. 20158 is sent with this machine unless otherwise specified on order.</i>		
688j	1324	<b>Pressure Regulating Thumb Screw</b> ... ..
52121	1499	<b>Rotating Hook</b> ... ..
52123	"	" " 52121 with 52090 and four 1953e ... ..
52089	1499	" " 52123 " 40274, three each 1253e and 1367d
52478	"	" " 52089 " 52174 ... ..
40264	1499	" " Bobbin ... ..
52472	1499	<b>Rotating Hook Bobbin Case</b> ... ..
52481	"	" " " " 52472 with 591f, 1380d and 40394
40392	1499	" " " " Latch ... ..
40409	1499	" " " " " Lever ... ..
2974	1499	" " " " " " Fulcrum Pin ... ..
2975	1499	" " " " " " Spring ... ..
592e	1324	" " " " " " Stop Screw ... ..
40393	"	" " " " " Hinge, Nos. 2974, 40392 and 40409
591f	1324	" " " " " Tension Regulating Screw ... ..
40394	1499	" " " " " " Spring ... ..
1380d	1325	" " " " " " Screw ... ..
52473	"	" " " " " complete, Nos. 592e, 2975, 40393 and 52481
52474	"	" " " " " 52473 with 52477 ... ..
52477	1499	" " " " " Holder with 52475 and two 52476
52018	1498	" " " " " " Position Bracket ... ..
704j	1324	" " " " " " " Screw ... ..
*52475	"	" " " " " " Locating Plate ... ..
*52476	"	" " " " " " " Rivet ... ..
40274	1499	" " Section ... ..
1367d	1325	" " " " Screw ... ..
1253e	1325	" " Set Screw ... ..
52388	1501	" " Shaft ... ..
56106	1323	" " " " Bushing (back) ... ..
52045	1498	" " " " " ( ) Packing (cotton) ... ..
1143c	1325	" " " " " ( ) Set Screw ... ..
56107	1323	" " " " " (front) ... ..
52045	1498	" " " " " ( ) Packing (cotton) ... ..
1148c	1325	" " " " " ( ) Set Screw ... ..
54897	1323	" " " " Front Bearing Oil Cup ... ..
56013	1323	" " " " Gear with two 1253e ... ..
52072	1313	" " " " " Case (two pieces) with 121e and 50234d

No.	Plate	
50234d	1325	<b>Rotating Hook Shaft Gear Case Plug Screw</b> ... ..
121e	1324	" " " " " Screw ... ..
1253e	1325	" " " " " Set Screw ... ..
52090	1499	" " Thread Guard ... ..
1053e	1325	" " " " " Screw ... ..
52337	1316	<b>Slack Thread Regulator</b> ... ..
223c	1316	" " " " Set Screw ... ..
2102	1498	<b>Tension Disc</b> ... ..
1560e	1325	" Regulating Thumb Nut ... ..
32572	1498	" Releasing Disc ... ..
43944	1316	" " " Lever ... ..
12398	1316	" " " " Hinge Pin ... ..
12329	1316	" " " " Spring ... ..
32574	1498	" " " " Pin ... ..
50304e	1498	" Screw Stud ... ..
50305e	1325	" " " " Set Screw ... ..
2103	1505	" Spring ... ..
52397	—	<b>Tension</b> , complete, Nos. 1560e, 2103, 32572, 32574, 50304e, 52083, 52394 and two 2102 ... ..
52027	1498	<b>Thread Guard</b> (side of arm) ... ..
52454	1323	" Retainer ... ..
624c	1515	" " Set Screw ... ..
52054	—	<b>Thread Take-up</b> , complete, Nos. 41204, 52025 and 52143 ... ..
52024	1505	<b>Thread Take-up Crank</b> ... ..
52143	"	" " " " 52024 with 775e and 24894 ... ..
1037c	1515	" " " " Position Screw ... ..
1036e	1515	" " " " Set Screw ... ..
52022	1503	<b>Thread Take-up Lever</b> with 52130 ... ..
52023	1505	" " " " Hinge Pin ... ..
52024	1505	" " " " Link ... ..
11294	1505	" " " " " Hinge Pin ... ..
435e	1324	" " " " " " Set Screw ... ..
52130	"	" " " " Thread Eyelet Bushing ... ..
52025	—	<b>Thread Take-up Lever</b> , complete, Nos. 52022 to 52024 ... ..
52394	1505	<b>Thread Take-up Spring</b> ... ..
52083	1498	" " " " Regulator with 50305e ... ..
448c	1324	" " " " " Set Screw ... ..

No.	Plate								
41137	1510	<b>Throat Plate, large needle hole, for 41136</b> ... ..							
41138		" " <b>small</b> " " " 41136 ... ..							
12411	1506	" " <b>large</b> " " " 12369 and 12457 ... ..							
12449		" " <b>small</b> " " " 12369 " 12457 ... ..							
12412	1506	" " <b>large</b> " " " 12370 ... ..							
12426	1506	" " " " " 12425 ... ..							
12466		" " <b>small</b> " " " 12425 ... ..							
12464	1507	" " <b>large</b> " " " 12450 and 20348 ... ..							
12451		" " <b>small</b> " " " 12450 " 20348 ... ..							
20315		" " <b>large</b> " " " 20106 ... ..							
20107	1507	" " <b>small</b> " " " 20106 ... ..							
20120	1507	" " <b>large oblong needle hole, for 20119</b> ... ..							
20187		" " <b>small</b> " " " 20119 ... ..							
19497	1509	" " <b>large needle hole, for 20117</b> ... ..							
19405		" " <b>small</b> " " " 20117 ... ..							
19409		" " <b>large</b> " " " 20138 and 20162 ... ..							
19410	1509	" " <b>small</b> " " " 20138 " 20162 ... ..							
19415	1509	" " <b>large</b> " " " 20151 ... ..							
19416		" " <b>small</b> " " " 20151 ... ..							
19418	1508	" " <b>large</b> " " " 20158 ... ..							
19419		" " <b>small</b> " " " 20158 ... ..							
19412	1508	" " <b>large</b> " " " 20117 ... ..							
19413		" " <b>small</b> " " " 20117 ... ..							
12482		" " <b>large</b> " " " 12481 ... ..							
12483	1508	" " <b>small</b> " " " 12481 ... ..							
691f	1324	" " <b>Screw (2)</b> ... ..							

*NOTE: Throat Plate No. 41137 is sent with this machine unless otherwise specified on order.*

*15404		<b>Trade Mark</b> ... ..							
15405		" " <b>Rivet</b> ... ..							
44212		<b>Drip Pan with four Wood Screws, 1/2" No. 5</b> ... ..							

## PARTS COMPLETE FOR No. 96K12 MACHINE

**For Cloaks, Clothing, Overalls and other work in Cloth  
Has reversible Feed Mechanism.**

No.	Plate								
*52432		<b>Arm with 15401, two each 15405 and 56015</b> ... ..							
<i>NOTE: -Due to the accuracy required for Gear alignment, Arm cannot be supplied separately and can only be sent out as a unit, Arm and Bed assembled.</i>									
16532	1498	<b>Arm Dowel Pin (2)</b> ... ..							
24431	1498	" <b>Oil Tube with 52045 for oiling 24036</b> ... ..							
52084	1323	" " " " 52045 " " 24040 ... ..							
11119	1512	" " " " 52045 " " 52022 ... ..							
12454	1498	" " " " 52045 " " 52024 ... ..							
52148		" " " " ... ..							
52149		" " " 52148 with 52150 ... ..							
52150		" " " <b>Packing (braided cotton)</b> ... ..							
52045	1498	" " " <b>Packing (cotton wick)</b> ... ..							
116e	1324	" <b>Screw (back) (2)</b> ... ..							
851e	1515	" " <b>(front) (2)</b> ... ..							
52382	1500	<b>Arm Shaft (horizontal)</b> ... ..							
127062		" " ( " ) 52382 with 24036, 24052, 52060 and 127018, for 52005 and 52081 ... ..							
52400	1528	" " ( " ) ... ..							
127061		" " ( " ) 52400 with 24036, 24052, 52060 and 127018, for 52403 ... ..							
52059	1497	" " ( " ) <b>Flanged Bushing (back) for 52005 and 52081</b> ... ..							
52401	1529	" " ( " ) " " ( " ) Oil Pad ... ..							
52045	1498	" " ( " ) " " ( " ) Oil Pad (cotton wick) ... ..							
148c	1324	" " ( " ) " " ( " ) <b>Set Screw</b> ... ..							
52078	1497	" " ( " ) " " (front) ... ..							
52045	1498	" " ( " ) " " ( " ) Oil Pad (cotton wick) ... ..							
135c	1324	" " ( " ) " " ( " ) <b>Set Screw</b> ... ..							
54897	1323	" " ( " ) <b>Front Bearing Oil Cup</b> ... ..							
52060	1323	" " ( " ) <b>Gear with two 1036c</b> ... ..							
52151	1313	" " ( " ) " <b>Case (two pieces) with 121c</b> ... ..							
121c	1324	" " ( " ) " " <b>Screw</b> ... ..							
1036c	1515	" " ( " ) " <b>Set Screw</b> ... ..							
144d	1324	" " ( " ) <b>Screw</b> ... ..							

No.	Plate						
52062	1497	<b>Arm Shaft</b> (upright) ... ..					
56099	1323	" " ( " ) Bushing (lower) ... ..					
432c	1324	" " ( " ) " ( " ) Set Screw ... ..					
56100	1323	" " ( " ) " (upper) ... ..					
1149c	1325	" " ( " ) " ( " ) Set Screw ... ..					
56013	1323	" " ( " ) Gear (lower) with two 1253c ... ..					
1253c	1325	" " ( " ) " ( " ) Set Screw ... ..					
56101	1323	" " ( " ) " (upper) with two 1253c ... ..					
1253c	1325	" " ( " ) " ( " ) Set Screw ... ..					
56015	1323	" " ( " ) Oil Tube (lower) ... ..					
56015	1323	" " ( " ) " " (upper) ... ..					
12480	1313	" Side Cap ... ..					
219d	1324	" " " Screw ... ..					
12193	1313	" " Cover ... ..					
50053d	1325	" " " Thumb Screw ... ..					
12403	1498	" Spool Pin ... ..					
41591	1314	<b>Arm Top Cover Tension Bracket</b> with 460c ... ..					
24131	1498	" " " " " Oil Tube with 52045 ... ..					
52045	1498	" " " " " " " Packing (cotton wick) ... ..					
180d	1515	" " " " " Screw ... ..					
12403	1498	" " " " " Spool Pin ... ..					
8879	1316	" " " " " " " (Washer (cloth) ... ..					
2455	1498	" " " " " Disc ... ..					
41593	1316	" " " " " Spring ... ..					
41594	1316	" " " " " Stud ... ..					
460c	1324	" " " " " Set Screw ... ..					
41595	1316	" " " " " Thread Guide ... ..					
41592	1314	<b>Arm Top Cover Tension Bracket</b> , complete, Nos. 12403, 24131, 41591, 41593 to 41595 and two 2455 ... ..					
52005	1313	<b>Balance Wheel</b> (power) light rim, 2 $\frac{1}{16}$ " pulley, with two 448c for 127062 ... ..					
52081	—	" " (stand) heavy rim, 2 $\frac{1}{16}$ " pulley, with two 448c for 127062 ... ..					
56017	1528	" " 2 $\frac{1}{4}$ " pulley, for 52405 ... ..					
52063	1497	" " Oil Cover ... ..					
210d	1324	" " " " Screw ... ..					
448c	1324	" " Set Screw ... ..					
*52402	—	<b>Bed</b> ... ..					

NOTE.—Due to the accuracy required for Gear alignment, Bed cannot be supplied separately and can only be sent out as a unit, Arm and Bed assembled.

No.	Plate						
12431	—	<b>Bed Slide</b> ... ..					
12432	1313	" " complete, Nos. 4307, 12431 and two 725c ... ..					
4307	1497	" " Spring ... ..					
725c	1324	" " " Screw ... ..					
256j	1515	<b>Clamp Stop Motion Clamp Screw</b> ... ..					
248a	1515	" " " " Stop Screw ... ..					
2020	1512	" " " " Washer ... ..					
*52403	—	<b>Clamp Stop Motion Flanged Bushing</b> ... ..					
52404	1529	" " " " " 52403 with two 50311c ... ..					
2022	1512	" " " " " Pin ... ..					
50311c	1515	" " " " " Set Screw ... ..					
52405	—	<b>Clamp Stop Motion</b> , complete, Nos. 248a, 256j, 2020 and 52404 ... ..					
52051	—	<b>Face Plate</b> ... ..					
190d	1324	" " Screw ... ..					
52053	1323	" " Thread Guard (lower) ... ..					
226d	1324	" " " " ( " ) Screw ... ..					
56086	1323	" " " " (upper) ... ..					
226d	1324	" " " " ( " ) Screw ... ..					
50190d	1325	" " Thumb Screw ... ..					
52052	1313	<b>Face Plate</b> , complete, Nos. 52051, 52053, 56086 and two 226d ... ..					
52452	1313	<b>Feed Bar</b> ... ..					
313c	1324	" " Screw Centre (2) ... ..					
1519c	1325	" " " " Nut (2) ... ..					
3033	1498	" Connecting Link ... ..					
375c	1324	" " " Hinge Screw ... ..					
1518c	1325	" " " " " Nut ... ..					
52073	1498	" " " " Stud ... ..					
50083c	1325	" " " " " Set Screw ... ..					
26603	1529	<b>Feed Dog</b> ... ..					
28360	1529	" " (15 conical teeth) ... ..					
120001	1502	" " (spiked teeth) ... ..					
50117c	1325	" " Screw (2) ... ..					
NOTE.—Feed Dog No. 26603 is sent with this machine unless otherwise specified on order.							
127018	1503	<b>Feed and Feed Lifting Eccentric</b> with two 448c ... ..					
448c	1324	" " " " " Set Screw ... ..					
24036	1497	" " " " " Sleeve ... ..					
52407	1501	" Forked Connection ... ..					
375c	1324	" " " Hinge Screw ... ..					
1518c	1325	" " " " " Nut ... ..					

No.	Plate								
52384	1500	<b>Feed Lifting Rock Shaft</b>	...	...	...	...	...	...	...
12430	1497	" " " "	Connecting Rod (steel) with 12204 and	...	...	...	...	...	...
			two 966e	...	...	...	...	...	...
*12204	---	" " " "	" " Cap	...	...	...	...	...	...
966e	1325	" " " "	" " Screw	...	...	...	...	...	...
375e	1324	" " " "	" " Hinge Screw	...	...	...	...	...	...
1518e	1325	" " " "	" " " Nut	...	...	...	...	...	...
12376	1498	" " " "	Crank with 157e and 1813	...	...	...	...	...	...
157e	1324	" " " "	" Clamping Screw	...	...	...	...	...	...
1813	1498	" " " "	" Roller and Stud	...	...	...	...	...	...
50191e	1325	" " " "	Screw Centre (2)	...	...	...	...	...	...
1513j	1317	" " " "	" " Nut (2)	...	...	...	...	...	...
52385	-	<b>Feed Lifting Rock Shaft, complete, Nos. 12376 and 52384</b>	...	...	...	...	...	...	...
50338e	1515	<b>Feed Regulating Screw Stud</b>	...	...	...	...	...	...	...
56032	1502	" " " "	Head with 56033	...	...	...	...	...	...
50193j	1515	" " " "	" Cap Screw	...	...	...	...	...	...
56033	1504	" " " "	" Stop Pin	...	...	...	...	...	...
56034	1592	" " " "	" Lock Pin	...	...	...	...	...	...
56035	1502	" " " "	" Spring	...	...	...	...	...	...
52408	1592	<b>Feed Regulator with 50083e</b>	...	...	...	...	...	...	...
1128e	1325	" " " "	Hinge Screw	...	...	...	...	...	...
52409	1502	<b>Feed Reverse Lever with 158e and 51846</b>	...	...	...	...	...	...	...
50339d	1515	" " " "	Hinge Screw	...	...	...	...	...	...
158e	1324	" " " "	" Clamping Screw	...	...	...	...	...	...
52410	1502	" " " "	" Friction Washer	...	...	...	...	...	...
51846	1515	" " " "	Roller and Stud	...	...	...	...	...	...
52386	1500	<b>Feed Rock Shaft</b>	...	...	...	...	...	...	...
29633	1498	" " " "	Crank with 157e	...	...	...	...	...	...
157e	1324	" " " "	" Clamping Screw	...	...	...	...	...	...
50191e	1325	" " " "	Screw Centre (2)	...	...	...	...	...	...
1513j	1317	" " " "	" Nut (2)	...	...	...	...	...	...
52387	-	<b>Feed Rock Shaft, complete, Nos. 29633 and 52386</b>	...	...	...	...	...	...	...
25866	1512	<b>Guide</b>	...	...	...	...	...	...	...
50190b	1325	" Thumb Screw	...	...	...	...	...	...	...
52455	1505	<b>Needle Bar (hollow)</b>	...	...	...	...	...	...	...
52305	1504	" " Bushing (lower) with 29532	...	...	...	...	...	...	...
1133e	1515	" " " "	( " ) Set Screw	...	...	...	...	...	...
52014	1505	" " " "	( " ) Set Screw	...	...	...	...	...	...
1133e	1515	" " " "	( " ) Set Screw	...	...	...	...	...	...
24040	1505	" " Connecting Link with 794e	...	...	...	...	...	...	...
24894	-	" " " "	24040 with 24041	...	...	...	...	...	...

No.	Plate								
794e	1515	<b>Needle Bar</b>	Connecting Link Adjusting Screw	...	...	...	...	...	...
775e	1515	" " " "	Cap Screw	...	...	...	...	...	...
24041	1505	" " " "	Stud with 207e	...	...	...	...	...	...
207e	558	" " " "	" Clamping Screw	...	...	...	...	...	...
24052	1505	" " Crank with 858e, 1036e, 1037e and 1065e	...	...	...	...	...	...	...
1065e	1325	" " " "	Position Screw	...	...	...	...	...	...
858e	1325	" " " "	Set Screw	...	...	...	...	...	...
29532	1498	" " Oil Cup	...	...	...	...	...	...	...
52306	1505	" " Thread Guard	...	...	...	...	...	...	...
229d	1515	" " " "	Screw	...	...	...	...	...	...
52307	1505	" Clamp with 808f	...	...	...	...	...	...	...
808f	1515	" " Screw	...	...	...	...	...	...	...
12391	1497	<b>Presser Bar (hollow)</b>	...	...	...	...	...	...	...
52338	1316	" " Guide Bracket with 223e and 453e	...	...	...	...	...	...	...
453e	1316	" " " "	Set Screw	...	...	...	...	...	...
52016	1316	" " Lifter	...	...	...	...	...	...	...
689c	1316	" " " "	Screw	...	...	...	...	...	...
1520r	1317	" " " "	Nut	...	...	...	...	...	...
12327	1316	" " Lifting and Releasing Lever Bracket	...	...	...	...	...	...	...
11167	1497	" " Spring	...	...	...	...	...	...	...
11170	1316	" " " "	Washer	...	...	...	...	...	...
62527	---	<b>Presser Foot Hinge Pin</b>	...	...	...	...	...	...	...
52426	---	" " Plate	...	...	...	...	...	...	...
52390	---	" " Shank	...	...	...	...	...	...	...
26231	1498	" " Spring	...	...	...	...	...	...	...
52427	1520	<b>Presser Foot (spring, hinged), complete, Nos. 26231, 52390, 52426 and 62527</b>	...	...	...	...	...	...	...
190d	1324	" " Screw	...	...	...	...	...	...	...
688j	1324	<b>Pressure Regulating Thumb Screw</b>	...	...	...	...	...	...	...
52121	1499	<b>Rotating Hook</b>	...	...	...	...	...	...	...
52123	---	" " 52121 with 52090 and four 1053e	...	...	...	...	...	...	...
52089	1499	" " 52123 with 40274, three each 1253e and 1367d	...	...	...	...	...	...	...
52178	-	" " 52089 with 52474	...	...	...	...	...	...	...
40264	1499	" " Bobbin	...	...	...	...	...	...	...
52472	1499	" " " "	Case	...	...	...	...	...	...
52481	---	" " " "	52472 with 591f, 1380d and 40394	...	...	...	...	...	...
40392	1499	" " " "	Latch	...	...	...	...	...	...
40409	1499	" " " "	Lever	...	...	...	...	...	...
2974	1499	" " " "	Endarm Pin	...	...	...	...	...	...
2975	1499	" " " "	Spring	...	...	...	...	...	...
592e	1324	" " " "	Stop Screw	...	...	...	...	...	...
40393	---	" " " "	Hinge Nos. 2974, 40392 and 40409	...	...	...	...	...	...



# PARTS COMPLETE FOR No. 96K13 MACHINE

**For Eyelet Row Stitching. Drop Feed.**

No. Plate  
\*52381 --- **Arm** with 15104, two each 15405 and 56015 ... ..  
*NOTE. Due to the accuracy required for Gear alignment, Arm cannot be supplied separately and can only be sent out as a unit, Arm and Bed assembled.*

16532	1498	Arm Dowel Pin (2)	...	...	...	...	...	...
24131	1498	" Oil Tube with 52015 for oiling 21036	...	...	...	...	...	...
52084	1323	" " " " 52015 " " 21040	...	...	...	...	...	...
11119	1512	" " " " 52015 " " 52022	...	...	...	...	...	...
12454	1498	" " " " 52045 " " 52021	...	...	...	...	...	...
52148	---	" " " " ...	...	...	...	...	...	...
52149	---	" " " 52148 with 52150	...	...	...	...	...	...
52150	---	" " " Packing (braided cotton)	...	...	...	...	...	...
52045	1498	" " " Packing (cotton wick)	...	...	...	...	...	...
116c	1324	" Screw (back) (2)	...	...	...	...	...	...
854e	1515	" " (front) (2)	...	...	...	...	...	...
127047	1815	Arm Shaft (horizontal)	...	...	...	...	...	...
127048	---	" " ( " ) 127047 with 21036, 21052, 52060 and 127045	...	...	...	...	...	...
52059	1497	" " ( " ) Flanged Bushing (back)	...	...	...	...	...	...
52045	1498	" " ( " ) " " ( " ) Oil Pad (cotton wick)	...	...	...	...	...	...
448c	1324	" " ( " ) " " ( " ) Set Screw	...	...	...	...	...	...
52078	1497	" " ( " ) " " (front)	...	...	...	...	...	...
52045	1498	" " ( " ) " " ( " ) Oil Pad (cotton wick)	...	...	...	...	...	...
435c	1324	" " ( " ) " " ( " ) Set Screw	...	...	...	...	...	...
54897	1323	" " ( " ) Front Bearing Oil Cup	...	...	...	...	...	...
52060	1323	" " ( " ) Gear with two 1036c	...	...	...	...	...	...
52151	1313	" " ( " ) " Case (two pieces) with 121e	...	...	...	...	...	...
121e	1324	" " ( " ) " " Screw	...	...	...	...	...	...
1036c	1515	" " ( " ) " Set Screw	...	...	...	...	...	...
144d	1324	" " ( " ) Screw	...	...	...	...	...	...
52062	1497	" " (upright)	...	...	...	...	...	...
56099	1323	" " ( " ) Bushing (lower)	...	...	...	...	...	...
432c	1324	" " ( " ) " ( " ) Set Screw	...	...	...	...	...	...
56100	1323	" " ( " ) " (upper)	...	...	...	...	...	...
1149c	1325	" " ( " ) " ( " ) Set Screw	...	...	...	...	...	...
56013	1323	" " ( " ) Gear (lower) with two 1253c	...	...	...	...	...	...

No.	Plate							
1253c	1325	Arm Shaft (upright) Gear (lower) Set Screw	...	...	...	...	...	...
56101	1323	" " ( " ) " (upper) with two 1253c	...	...	...	...	...	...
1253c	1325	" " ( " ) " ( " ) Set Screw	...	...	...	...	...	...
56015	1323	" " ( " ) Oil Tube (lower)	...	...	...	...	...	...
56015	1323	" " ( " ) " " (upper)	...	...	...	...	...	...
12480	1313	" Side Cap	...	...	...	...	...	...
219d	1324	Arm Side Cap Screw	...	...	...	...	...	...
12193	1313	" " Cover	...	...	...	...	...	...
50053d	1325	" " " Thumb Screw	...	...	...	...	...	...
12403	1498	" Spool Pin	...	...	...	...	...	...
41591	1314	Arm Top Cover Tension Bracket with 460c	...	...	...	...	...	...
24131	1498	" " " " " Oil Tube with 52045	...	...	...	...	...	...
52045	1498	" " " " " " Packing (cotton wick)	...	...	...	...	...	...
180d	1515	" " " " " Screw	...	...	...	...	...	...
12403	1498	" " " " " Spool Pin	...	...	...	...	...	...
8879	1316	" " " " " Washer (cloth)...	...	...	...	...	...	...
2455	1498	" " " " " Disc	...	...	...	...	...	...
41593	1316	" " " " " Spring	...	...	...	...	...	...
41591	1316	" " " " " Stud	...	...	...	...	...	...
460c	1324	" " " " " Set Screw	...	...	...	...	...	...
41595	1316	" " " " " Thread Guide	...	...	...	...	...	...
41592	1314	Arm Top Cover Tension Bracket, complete, Nos. 12403, 24131, 41591, 41593 to 41595 and two 2455	...	...	...	...	...	...
52005	1313	Balance Wheel (power) light rim, 2 <sup>3</sup> / <sub>16</sub> " pulley, with two 448c	...	...	...	...	...	...
52081	---	" " (stand) heavy rim, 2 <sup>11</sup> / <sub>16</sub> " pulley, with two 448c	...	...	...	...	...	...
52063	1497	" " Oil Cover	...	...	...	...	...	...
210d	1324	" " " " Screw	...	...	...	...	...	...
448c	1324	" " " Set Screw	...	...	...	...	...	...
*52383	---	Bed	...	...	...	...	...	...
12431	---	Bed Slide	...	...	...	...	...	...
12432	1313	" " complete, Nos. 4307, 12431 and two 725c	...	...	...	...	...	...
4307	1497	" " Spring	...	...	...	...	...	...
725c	1324	" " " Screw	...	...	...	...	...	...
52051	---	Face Plate	...	...	...	...	...	...
190d	1324	" " Screw	...	...	...	...	...	...
52053	1323	" " Thread Guard (lower)	...	...	...	...	...	...
226d	1324	" " " " ( " ) Screw	...	...	...	...	...	...
56086	1323	" " " " (upper)	...	...	...	...	...	...
226d	1324	" " " " ( " ) Screw	...	...	...	...	...	...
50190d	1325	" " Thumb Screw	...	...	...	...	...	...

*NOTE. Due to the accuracy required for Gear alignment, Bed cannot be supplied separately and can only be sent out as a unit, Arm and Bed assembled.*







No.	Plate						
52021	1505	<b>Thread Take-up Crank</b>	...	...	...	...	...
52143		"	"	"	52021, with 775c and 21891	...	...
1037c	1515	"	"	"	Position Screw	...	...
1036c	1515	"	"	"	Set Screw	...	...
52022	1503	<b>Thread Take-up Lever</b>	with 52130	...	...	...	...
52023	1505	"	"	"	Hinge Pin	...	...
52024	1505	"	"	"	Link	...	...
11204	1505	"	"	"	" Hinge Pin	...	...
435c	1324	"	"	"	" " " Set Screw	...	...
52130	-	"	"	"	Thread Eyelet Bushing	...	...
52025	-	<b>Thread Take-up Lever,</b>	complete, Nos. 52022 to 52024	...	...	...	...
52394	1505	<b>Thread Take-up Spring</b>	...	...	...	...	...
52083	1498	"	"	"	Regulator with 50305c	...	...
418c	1324	"	"	"	" Set Screw	...	...
24144	-	<b>Throat Plate,</b>	large oblong needle hole	...	...	...	...
24143	7699	"	"	"	small oblong needle hole	...	...
691f	1324	"	"	"	Screw (2)	...	...
<i>NOTE: Throat Plate No. 24144 is sent with the machine unless otherwise specified on order.</i>							
*15104		<b>Trade Mark</b>	...	...	...	...	...
15105		"	"	"	Rivet	...	...
44212	-	<b>Drip Pan</b>	with four Wood Screws $\frac{1}{2}$ " No. 5	...	...	...	...

# PARTS COMPLETE FOR No. 96K14 MACHINE

For Stitching Top Facings to Shee Lining, also for Side and Back Stays,  
Drop Feed.

No.	Plate						
*52416	-	<b>Arm</b>	with 15104, two each 15105 and 56015	...	...	...	...
<i>NOTE: Due to the accuracy required for Gear alignment, Arm cannot be shipped separately and can only be sent out as a unit, Arm and Bed assembled.</i>							
16532	1498	<b>Arm Dowel Pin</b>	(2)	...	...	...	...
24131	1498	"	Oil Tube with 52045 for oiling	24036	...	...	...
52084	1323	"	"	"	52045	"	"
11119	1512	"	"	"	52045	"	"
12454	1498	"	"	"	52045	"	"
52148	-	"	"	"	...	...	...
52149		"	"	"	52148 with 52150	...	...
52150		"	"	"	Packing (braided cotton)	...	...
52045	1498	"	"	"	Packing (cotton wick)	...	...
116c	1324	"	"	"	Screw (back) (2)	...	...
854c	1515	"	"	"	(front) (2)	...	...
127047	1815	<b>Arm Shaft</b>	(horizontal)	...	...	...	...
127048		"	"	( " )	127047 with 24036, 24052, 52060 and 127044	...	...
52059	1497	"	"	( " )	Flanged Bushing (back)	...	...
52045	1498	"	"	( " )	" " ( " ) Oil Pad	...	...
(cotton wick)							
418c	1324	"	"	( " )	" " ( " ) Set Screw	...	...
52078	1497	"	"	( " )	" " (front)	...	...
52045	1498	"	"	( " )	" " ( " ) Oil Pad	...	...
(cotton wick)							
435c	1324	"	"	( " )	" " ( " ) Set Screw	...	...
54897	1323	"	"	( " )	Front Bearing Oil Cup	...	...
52060	1323	"	"	( " )	Gear with two 1036c	...	...
52151	1313	"	"	( " )	" Case (two pieces) with 121c	...	...
121c	1324	"	"	( " )	" " Screw	...	...
1036c	1515	"	"	( " )	" Set Screw	...	...
144c	1324	"	"	( " )	" Screw	...	...
52062	1497	"	"	(upright)	...	...	...
56099	1323	"	"	( " )	Bushing (lower)	...	...
432c	1324	"	"	( " )	" ( " ) Set Screw	...	...
56100	1323	"	"	( " )	" (upper)	...	...
4449c	1325	"	"	( " )	" ( " ) Set Screw	...	...



No.	Plate						
52386	1500	<b>Feed Rock Shaft</b>	...	...	...	...	...
29633	1498	" " "	Crank with 157c	...	...	...	...
157c	1324	" " "	" Clamping Screw	...	...	...	...
50191c	1325	" " "	" Screw Centre (2)	...	...	...	...
1513j	1317	" " "	" " Nut (2)	...	...	...	...
52387	-	<b>Feed Rock Shaft, complete, Nos. 29633 and 52386</b>	...	...	...	...	...
52455	1505	<b>Needle Bar (hollow)</b>	...	...	...	...	...
52305	1504	" " "	Bushing (lower) with 29532	...	...	...	...
1133e	1515	" " "	" ( " ) Set Screw	...	...	...	...
52014	1505	" " "	" (upper)	...	...	...	...
1133e	1515	" " "	" ( " ) Set Screw	...	...	...	...
24040	1505	" " "	Connecting Link with 794c	...	...	...	...
24894	-	" " "	" " 24040 with 24041	...	...	...	...
794c	1515	" " "	" " Adjusting Screw	...	...	...	...
775e	1515	" " "	" " Cap Screw	...	...	...	...
24041	1505	" " "	" Stud with 207c	...	...	...	...
207c	558	" " "	" " Clamping Screw	...	...	...	...
24052	1505	" " "	Crank with 858c, 1036c, 1037c and 1065c	...	...	...	...
1065c	1325	" " "	" Position Screw	...	...	...	...
858c	1325	" " "	" Set Screw	...	...	...	...
29532	1498	" " "	Oil Cup	...	...	...	...
52415	1813	" " "	Thread Guard	...	...	...	...
229d	1515	" " "	" " Screw	...	...	...	...
52307	1505	" " "	Clamp with 808f	...	...	...	...
808f	1515	" " "	" Screw	...	...	...	...
12391	1497	<b>Presser Bar (hollow)</b>	...	...	...	...	...
52338	1316	" " "	Guide Bracket with 223c and 453c	...	...	...	...
453c	1316	" " "	" " Set Screw	...	...	...	...
52016	1316	" " "	Lifter	...	...	...	...
689c	1316	" " "	" Screw	...	...	...	...
1520r	1317	" " "	" " Nut	...	...	...	...
12327	1316	" " "	Lifting and Releasing Lever Bracket	...	...	...	...
11167	1497	" " "	Spring	...	...	...	...
11170	1316	" " "	" Washer	...	...	...	...
688j	1324	<b>Pressure Regulating Thumb Screw</b>	...	...	...	...	...
51841	1812	<b>Roller, 1 1/4" diam., coarse, for 51842</b>	...	...	...	...	...
51842	-	" (ball-bearing), Nos. 1528j, 1766c, 50553c, 51841 and twenty four 16232	...	...	...	...	...
1903	7701	" 1 1/4" diam., coarse, with 652d and 1528d, for 52414	...	...	...	...	...
51824	1812	" 3/8" diam., coarse, with 388d and 1550h, for 52457	...	...	...	...	...
1886	1812	" 1 1/4" diam., coarse, with 386d and 1528d, for 52458	...	...	...	...	...
1986	1812	" 3/8" diam., fine, with 652d and 1528d, for 52461	...	...	...	...	...

No.	Plate						
52453	7701	<b>Roller Arm for 52414 and 52458</b>	...	...	...	...	...
52456	1812	" " "	52457	...	...	...	...
52460	1812	" " "	52461	...	...	...	...
127041	1812	" " "	127042	...	...	...	...
440f	7701	" " "	Adjusting Screw	...	...	...	...
1547j	1325	" " "	" " Nut	...	...	...	...
4282	7701	" " "	Bracket for 52414 and 52458	...	...	...	...
2206	7701	" " "	" " 52457 and 52461	...	...	...	...
46037	-	" " "	" " 127042	...	...	...	...
316f	1324	" " "	" Screw Centre	...	...	...	...
1547j	1325	" " "	" " " Nut	...	...	...	...
2205	7701	" " "	Lock Spring	...	...	...	...
176d	559	" " "	" " Screw	...	...	...	...
1549j	7701	" " "	" " " Nut	...	...	...	...
16232	-	" " "	Ball 3/8" diam.	...	...	...	...
1766c	1812	" " "	Retaining Nut	...	...	...	...
1528j	7701	" " "	" Lock Nut	...	...	...	...
52414	7701	<b>Roller Presser, complete, 1 1/4" coarse roller, Nos. 176d, 440f, 1549j, 1903, 2205, 4282, 52453, two 316f and three 1547j</b>	...	...	...	...	...
52457	-	<b>Roller Presser, complete, 3/8" coarse roller, Nos. 176d, 440f, 1549j, 2205, 2206, 51824, 52456, two 316f and three 1547j</b>	...	...	...	...	...
52458	1812	<b>Roller Presser, complete, 1 1/4" coarse roller, Nos. 176d, 440f, 1549j, 1886, 2205, 4282, 52453, two 316f and three 1547j</b>	...	...	...	...	...
52461	1812	<b>Roller Presser, complete, 3/8" fine roller, Nos. 176d, 440f, 1549j, 1986, 2205, 2206, 52460, two 316f and three 1547j</b>	...	...	...	...	...
127042	1812	<b>Roller Presser (ball bearing), complete, 1 1/4" coarse roller, Nos. 176d, 440f, 1549j, 2205, 46037, 51842, 127041, two 316f and three 1547j</b>	...	...	...	...	...
490d	1324	<b>Roller Presser Screw</b>	...	...	...	...	...
386d	7701	" Screw for 1886	...	...	...	...	...
388d	1515	" " " 51824	...	...	...	...	...
652d	7701	" " " 1903 and 1986	...	...	...	...	...
50553c	1515	" " " 51842	...	...	...	...	...
1528d	7701	" " Nut for 1886, 1903 and 1986	...	...	...	...	...
1550h	1688	" " " 51824	...	...	...	...	...
52421	1499	<b>Rotating Hook</b>	...	...	...	...	...
52423	-	" " 52421 with 52090 and four 1053c	...	...	...	...	...
52089	1499	" " 52423 with 40274, three each 1253c and 1367d	...	...	...	...	...
52478	-	" " 52089 with 52474	...	...	...	...	...
40264	1499	" " Bobbin	...	...	...	...	...

No.	Plate						
52472	1499	<b>Rotating Hook Bobbin Case</b>	...	...	...	...	...
52481	---	"	"	"	"	52472 with 5911, 1380d and 40394	...
40392	1499	"	"	"	"	Latch	...
40409	1499	"	"	"	"	Lever	...
2974	1499	"	"	"	"	Fulcrum Pin	...
2975	1499	"	"	"	"	Spring	...
592e	1324	"	"	"	"	Stop Screw	...
40393	---	"	"	"	"	Hinge, Nos. 2974, 40392 and 40409	...
591f	1324	"	"	"	"	Tension Regulating Screw	...
40394	1499	"	"	"	"	Spring	...
1380d	1325	"	"	"	"	Screw	...
52473	---	"	"	"	"	complete, Nos. 592e, 2975, 4393 and 52481	...
52474	---	"	"	"	"	52473 with 52477	...
52477	1499	"	"	"	"	Holder with 52475 and two 52476	...
52018	1498	"	"	"	"	Position Bracket	...
704j	1324	"	"	"	"	Screw	...
*52475	---	"	"	"	"	Locating Plate	...
*52476	---	"	"	"	"	Rivet	...
40274	1499	"	"	"	"	Section	...
1367d	1325	"	"	"	"	Screw	...
1253c	1325	"	"	"	"	Set Screw	...
52388	1501	"	"	"	"	Shaft	...
56106	1323	"	"	"	"	Bushing (back)	...
52045	1498	"	"	"	"	( ) Packing (cotton)	...
1143c	1325	"	"	"	"	( ) Set Screw	...
56107	1323	"	"	"	"	(front)	...
52045	1498	"	"	"	"	( ) Packing (cotton)	...
1148c	1325	"	"	"	"	( ) Set Screw	...
54897	1323	"	"	"	"	Front Bearing Oil Cup	...
56013	1323	"	"	"	"	Gear with two 1253c	...
52072	1313	"	"	"	"	Case (two pieces) with 121e and 50234d	...
50234d	1325	"	"	"	"	Plug Screw	...
121e	1324	"	"	"	"	Screw	...
1253c	1325	"	"	"	"	Set Screw	...
52090	1499	"	"	"	"	Thread Guard	...
1053c	1325	"	"	"	"	Screw	...
52337	1316	<b>Slack Thread Regulator</b>	...	...	...	...	...
223c	1316	"	"	"	"	Set Screw	...
52046	1815	<b>Spool Holder Base</b>	...	...	...	...	...
389d	1515	"	"	"	"	Screw	...
204296	1815	"	"	"	"	Wire	...
200079h	1515	"	"	"	"	Hinge Screw	...
52047	1815	<b>Spool Holder, complete, Nos. 52046, 200079h and 204296</b>	...	...	...	...	...

No.	Plate						
120067	7704	<b>Strip Guide</b>	...	...	...	...	...
120068	7704	"	"	(adjustable) with 2911	...	...	...
120069	7704	"	"	( ) Bar	...	...	...
120070	7704	"	"	( ) " Plate	...	...	...
50169d	7704	"	"	( ) " " Screw	...	...	...
50169d	7704	"	"	( ) " " Screw	...	...	...
2911	7704	"	"	( ) Thumb Screw	...	...	...
120071	7704	<b>Strip Guide (adjustable), complete, Nos. 120067 to 120070 and six 50169d</b>	...	...	...	...	...
1423d	7704	<b>Strip Guide Screw</b>	...	...	...	...	...
2102	1498	<b>Tension Disc</b>	...	...	...	...	...
1560c	1325	"	"	Regulating Thumb Nut	...	...	...
32572	1498	"	"	Releasing Disc	...	...	...
43944	1316	"	"	Lever	...	...	...
12398	1316	"	"	Hinge Pin	...	...	...
12329	1316	"	"	Spring	...	...	...
32571	1498	"	"	Pin	...	...	...
50304c	1498	"	"	Screw Stud	...	...	...
50305c	1325	"	"	Set Screw	...	...	...
2103	1505	"	"	Spring	...	...	...
52397	---	<b>Tension, complete, Nos. 1560c, 2103, 32572, 32571, 50304c, 52083, 52394 and two 2102</b>	...	...	...	...	...
52027	1498	<b>Thread Guard (Side of Arm)</b>	...	...	...	...	...
52451	1323	"	"	Retainer	...	...	...
624c	1515	"	"	Set Screw	...	...	...
52054	---	<b>Thread Take-up, complete, Nos. 11204, 52025 and 52443</b>	...	...	...	...	...
52021	1505	<b>Thread Take-up Crank</b>	...	...	...	...	...
52443	---	"	"	52021, with 775c and 24894	...	...	...
1037c	1515	"	"	Position Screw	...	...	...
1036c	1515	"	"	Set Screw	...	...	...
52022	1503	<b>Thread Take-up Lever with 52130</b>	...	...	...	...	...
52023	1505	"	"	Hinge Pin	...	...	...
52024	1505	"	"	Link	...	...	...
11204	1505	"	"	Hinge Pin	...	...	...
135c	1324	"	"	" " " " Set Screw	...	...	...
52130	---	"	"	Thread Eyelet Bushing	...	...	...
52025	---	<b>Thread Take-up Lever, complete, Nos. 52022 to 52024</b>	...	...	...	...	...

No.	Plate						
52394	1505	<b>Thread Take-up Spring</b>	...	...	...	...	...
52083	1498	" " " "	Regulator with 50305c	...	...	...	...
448c	1324	" " " "	" " Set Screw	...	...	...	...
12438	7699	<b>Throat Plate</b> , large oblong needle hole	...	...	...	...	...
20192	—	" " small " " "	...	...	...	...	...
691f	1324	" " Screw (2)	...	...	...	...	...
NOTE.—Throat Plate No. 12438 is sent with this machine unless otherwise specified on order.							
*15404	—	<b>Trade Mark</b>	...	...	...	...	...
15405	—	" " Rivet	...	...	...	...	...
44212	—	<b>Drip Pan</b> with four Wood Screws $\frac{1}{2}$ " No. 5	...	...	...	...	...

## PARTS COMPLETE FOR No. 96K16 MACHINE

For work on overalls, heavy overcoats, khaki and other heavy materials.  
Has reversible feed mechanism. Lift of Presser Foot  $\frac{7}{16}$ ".

No.	Plate						
*52432	—	<b>Arm</b> with 15404, two each 15405 and 56015	...	...	...	...	...
NOTE. Due to the accuracy required for Gear alignment, Arm cannot be supplied separately and can only be sent out as a unit, Arm and Bed assembled.							
16532	1498	<b>Arm Dowel Pin</b> (2)	...	...	...	...	...
24131	1498	" Oil Tube with 52045 for oiling 24036	...	...	...	...	...
52084	1323	" " " " 52045 " " 24040	...	...	...	...	...
11119	1512	" " " " 52045 " " 52022	...	...	...	...	...
12454	1498	" " " " 52045 " " 52024	...	...	...	...	...
52148	—	" " " " ...	...	...	...	...	...
52149	—	" " " 52148 with 52150	...	...	...	...	...
52150	—	" " " Packing (braided cotton)	...	...	...	...	...
52045	1498	" " " Packing (cotton wick)	...	...	...	...	...
116c	1324	" Screw (back) (2)	...	...	...	...	...
854e	1515	" " (front) (2)	...	...	...	...	...
52382	1500	<b>Arm Shaft</b> (horizontal)	...	...	...	...	...
127063	—	" " ( " ) 52382 with 24036, 52060, 52436 and 127018	...	...	...	...	...
52059	1497	" " ( " ) Flanged Bushing (back)	...	...	...	...	...
52045	1498	" " ( " ) " " ( " ) Oil Pad (cotton wick)	...	...	...	...	...
448c	1324	" " ( " ) " " ( " ) Set Screw	...	...	...	...	...
52078	1497	" " ( " ) " " (front)	...	...	...	...	...
52045	1498	" " ( " ) " " ( " ) Oil Pad (cotton wick)	...	...	...	...	...
435c	1324	" " ( " ) " " ( " ) Set Screw	...	...	...	...	...
54897	1323	" " ( " ) Front Bearing Oil Cup	...	...	...	...	...
52060	1323	" " ( " ) Gear with two 1036c	...	...	...	...	...
52151	1313	" " ( " ) " Case (two pieces) with 121e	...	...	...	...	...
121e	1324	" " ( " ) " " Screw	...	...	...	...	...
1036c	1515	" " ( " ) " Set Screw	...	...	...	...	...
144d	1324	" " ( " ) Screw	...	...	...	...	...
52062	1497	" " (upright)	...	...	...	...	...
56099	1323	" " ( " ) Bushing (lower)	...	...	...	...	...
432c	1324	" " ( " ) " ( " ) Set Screw	...	...	...	...	...
56100	1323	" " ( " ) " (upper)	...	...	...	...	...
1149c	1325	" " ( " ) " ( " ) Set Screw	...	...	...	...	...

No.	Plate	
56013	1323	<b>Arm Shaft</b> (upright) Gear (lower) with two 1253c ...
1253c	1325	" " ( " ) " ( " ) Set Screw ...
56101	1323	" " ( " ) " (upper) with two 1253c ...
1253c	1325	" " ( " ) " ( " ) Set Screw ...
56015	1323	" " ( " ) Oil Tube (lower) ...
56015	1323	" " ( " ) " " (upper) ...
12480	1313	" Side Cap ...
219d	1324	" " " Screw ...
12193	1313	" " Cover ...
286d	1324	" " " Thumb Screw ...
12403	1498	" Spool Pin ...
41591	1314	<b>Arm Top Cover Tension Bracket</b> with 460c ...
24131	1498	" " " " " Oil Tube with 52045 ...
52045	1498	" " " " " " " Packing (cotton wick) ...
180d	1515	" " " " " Screw ...
12403	1498	" " " " " Spool Pin ...
8879	1316	" " " " " Washer (cloth) ...
2455	1498	" " " " " Disc ...
41593	1316	" " " " " Spring ...
41594	1316	" " " " " Stud ...
460c	1324	" " " " " Set Screw ...
41595	1316	" " " " " Thread Guide ...
41592	1314	<b>Arm Top Cover Tension Bracket</b> , complete, Nos. 12403, 24131, 41591, 41593 to 41595 and two 2455 ...
52005	1313	<b>Balance Wheel</b> (power), light rim, 2 $\frac{3}{16}$ " pulley, with two 448c ...
52063	1497	" " Oil Cover ...
210d	1324	" " " " Screw ...
448c	1324	" " Set Screw ...
*52402	—	<b>Bed</b> ...
<i>NOTE.--Due to the accuracy required for Gear alignment, Bed cannot be supplied separately and can only be sent out as a unit, Arm and Bed assembled.</i>		
12431	—	<b>Bed Slide</b> ...
12432	1313	" " complete, Nos. 4307, 12431 and two 725c ...
4307	1497	" " Spring ...
725c	1324	" " " Screw ...
52051	—	<b>Face Plate</b> ...
190d	1324	" " Screw ...
52053	1323	" " Thread Guard (lower) ...
226d	1324	" " " " ( " ) Screw ...
56086	1323	" " " " (upper) ...
226d	1324	" " " " ( " ) Screw ...
50190d	1325	" " Thumb Screw ...
52052	1313	<b>Face Plate</b> , complete, Nos. 52051, 52053, 56086 and two 226d ...

No.	Plate	
52452	1313	<b>Feed Bar</b> ...
313c	1324	" " Screw Centre (2) ...
1519e	1325	" " " " Nut (2) ...
3033	1498	" Connecting Link ...
375c	1324	" " " Hinge Screw ...
1518e	1325	" " " " " Nut ...
52073	1498	" " " " Stud ...
50083c	1325	" " " " " Set Screw ...
120001	1502	<b>Feed Dog</b> (spiked teeth) ...
50117c	1325	" " Screw (2) ...
127018	1503	<b>Feed and Feed Lifting Eccentric</b> with two 448c ...
448c	1324	" " " " " Set Screw ...
24036	1497	" " " " " Sleeve ...
52407	1501	" Forked Connection ...
375c	1324	" " " Hinge Screw ...
1518e	1325	" " " " " Nut ...
52384	1500	<b>Feed Lifting Rock Shaft</b> ...
12430	1497	" " " " Connecting Rod (steel) with 12204 and two 966e ...
*12204	—	" " " " " " Cap ...
966e	1325	" " " " " " Screw ...
375c	1324	" " " " " " Hinge Screw ...
1518e	1325	" " " " " " Nut ...
52434	1502	" " " " Crank with 157c and 1813 ...
157c	1324	" " " " " Clamping Screw ...
1813	1498	" " " " " Roller and Stud ...
50191c	1325	" " " " " Screw Centre (2) ...
1513j	1317	" " " " " Nut (2) ...
52433	—	<b>Feed Lifting Rock Shaft</b> , complete, Nos. 52384 and 52434 ...
50338e	1515	<b>Feed Regulating Screw Stud</b> ...
56032	1502	" " " " Head with 56033 ...
50193j	1515	" " " " " Cap Screw ...
56033	1504	" " " " " Stop Pin ...
56034	1502	" " " " " Lock Pin ...
56035	1502	" " " " " Spring ...
52408	1502	<b>Feed Regulator</b> with 50083c ...
1128e	1325	" " Hinge Screw ...
52409	1502	<b>Feed Reverse Lever</b> with 158e and 51846 ...
50339d	1515	" " " Hinge Screw ...
158e	1324	" " " Clamping Screw ...
52410	1502	" " " Friction Washer ...
51846	1515	" " " Roller and Stud ...



No.	Plate				
52386	1500	<b>Feed Rock Shaft</b>	...	...	...
29633	1498	" " "	Crank with 157c	...	...
157c	1324	" " "	" Clamping Screw	...	...
50191c	1325	" " "	" Screw Centre (2)	...	...
1513j	1317	" " "	" " Nut (2)	...	...
52387	—	<b>Feed Rock Shaft</b> , complete, Nos. 29633 and 52386	...	...	...
25866	1512	<b>Guide</b>	...	...	...
50190b	1325	" Thumb Screw	...	...	...
52455	1505	<b>Needle Bar</b> (hollow)	...	...	...
52305	1504	" " Bushing (lower) with 29532	...	...	...
1133e	1515	" " " ( " ) Set Screw	...	...	...
52448	1503	" " " (upper)	...	...	...
1133e	1515	" " " ( " ) Set Screw	...	...	...
24040	1505	" " Connecting Link with 794e	...	...	...
24894	—	" " " " 24040 with 24041	...	...	...
794e	1515	" " " " Adjusting Screw	...	...	...
775e	1515	" " " " Cap Screw	...	...	...
24041	1505	" " " " Stud with 207e	...	...	...
207e	558	" " " " Clamping Screw	...	...	...
52436	1503	" " Crank with 858c, 1036c, 1037c and 1065c	...	...	...
1065c	1325	" " " Position Screw	...	...	...
858c	1325	" " " Set Screw	...	...	...
29532	1498	" " Oil Cup	...	...	...
52306	1505	" " Thread Guard	...	...	...
229d	1515	" " " " Screw	...	...	...
52307	1505	" Clamp with 808f	...	...	...
808f	1515	" " Screw	...	...	...
12391	1497	<b>Presser Bar</b> (hollow)	...	...	...
52338	1316	" " Guide Bracket with 223c and 453c	...	...	...
453c	1316	" " " " Set Screw	...	...	...
5990	1503	" " Lifter	...	...	...
689c	1316	" " " Screw	...	...	...
1520r	1317	" " " " Nut	...	...	...
12327	1316	" " Lifting and Releasing Lever Bracket	...	...	...
11167	1497	" " Spring	...	...	...
11170	1316	" " " Washer	...	...	...
7298	1498	<b>Presser Foot</b> Hinge Pin	...	...	...
52437	—	" " Plate	...	...	...
52438	—	" " Shank	...	...	...
26231	1498	" " Spring	...	...	...
52439	1502	<b>Presser Foot</b> (spring, hinged), complete, Nos. 7298, 26231, 52437 and 52438	...	...	...
190d	1324	" " Screw	...	...	...

No.	Plate				
688j	1324	<b>Pressure Regulating Thumb Screw</b>	...	...	...
52121	1499	<b>Rotating Hook</b>	...	...	...
52123	—	" " 52121 with 52090 and four 1053c	...	...	...
52440	1499	" " 52123 " 52444, three each 1253c and 1367d	...	...	...
52480	—	" " 52440 " 52474	...	...	...
40264	1499	" " Bobbin	...	...	...
52472	1499	" " " Case	...	...	...
52481	—	" " " " 52472 with 591f, 1380d and 40394	...	...	...
40392	1499	" " " " Latch	...	...	...
40409	1499	" " " " " Lever	...	...	...
2974	1499	" " " " " Fulcrum Pin	...	...	...
2975	1499	" " " " " Spring	...	...	...
592e	1324	" " " " " Stop Screw	...	...	...
40393	—	" " " " Hinge, Nos. 2974, 40392 and 40409	...	...	...
591f	1324	" " " " Tension Regulating Screw	...	...	...
40394	1499	" " " " Spring	...	...	...
1380d	1325	" " " " " Screw	...	...	...
52473	—	" " " " complete, Nos. 592e, 2975, 40393 and 52481	...	...	...
52474	—	" " " " 52473 with 52477	...	...	...
52477	1499	" " " " Holder with 52475 and two 52476	...	...	...
52018	1498	" " " " Position Bracket	...	...	...
704j	1324	" " " " " " " Screw	...	...	...
*52475	—	" " " " Locating Plate	...	...	...
*52476	—	" " " " " Rivet	...	...	...
52444	1499	" " Section	...	...	...
1367d	1325	" " " Screw	...	...	...
1253c	1325	" " Set Screw	...	...	...
52388	1501	" " Shaft	...	...	...
56106	1323	" " " Bushing (back)	...	...	...
52045	1498	" " " " ( " ) Packing (cotton)	...	...	...
1143c	1325	" " " " ( " ) Set Screw	...	...	...
56107	1323	" " " " (front)	...	...	...
52045	1498	" " " " ( " ) Packing (cotton)	...	...	...
1148c	1325	" " " " ( " ) Set Screw	...	...	...
54897	1323	" " " Front Bearing Oil Cup	...	...	...
56013	1323	" " " Gear with two 1253c	...	...	...
52072	1313	" " " " Case (two pieces) with 121e and 50234d	...	...	...
50234d	1325	" " " " " Plug Screw	...	...	...
121e	1324	" " " " " Screw	...	...	...
1253c	1325	" " " " Set Screw	...	...	...
52090	1499	" " Thread Guard	...	...	...
1053e	1325	" " " " Screw	...	...	...
52337	1316	<b>Slack Thread Regulator</b>	...	...	...
223c	1316	" " " Set Screw	...	...	...

No.	Plate						
2102	1498	<b>Tension Disc</b>	...	...	...	...	...
1560c	1325	"	Regulating Thumb Nut	...	...	...	...
32572	1498	"	Releasing Disc	...	...	...	...
52445	1503	"	"	Lever	...	...	...
12398	1316	"	"	"	Hinge Pin	...	...
12329	1316	"	"	"	Spring	...	...
32574	1498	"	"	"	Pin	...	...
50304c	1498	"	Screw Stud	...	...	...	...
50305c	1325	"	"	"	Set Screw	...	...
2103	1505	"	Spring	...	...	...	...
52397	—	<b>Tension</b> , complete, Nos. 1560c, 2103, 32572, 32574, 50304c, 52083, 52394 and two 2102	...	...	...	...	...
52454	1323	<b>Thread Retainer</b>	...	...	...	...	...
624c	1515	"	"	Set Screw	...	...	...
52447	—	<b>Thread Take-up</b> , complete, Nos. 11204, 52025 and 127065	...	...	...	...	...
52446	1502	<b>Thread Take-up Crank</b>	...	...	...	...	...
127065	—	"	"	"	52446 with 775c and 24894	...	...
1037c	1515	"	"	"	Position Screw	...	...
1036c	1515	"	"	"	Set Screw	...	...
52022	1503	<b>Thread Take-up Lever</b> with 52130	...	...	...	...	...
52023	1505	"	"	"	Hinge Pin	...	...
52024	1505	"	"	"	Link	...	...
11204	1505	"	"	"	"	Hinge Pin	...
435c	1324	"	"	"	"	Set Screw	...
52130	—	"	"	"	"	Thread Eyelet Bushing	...
52025	—	<b>Thread Take-up Lever</b> , complete, Nos. 52022 to 52024	...	...	...	...	...
52394	1505	<b>Thread Take-up Spring</b>	...	...	...	...	...
52083	1498	"	"	"	Regulator with 50305c	...	...
448c	1324	"	"	"	"	Set Screw	...
26605	1502	<b>Throat Plate</b> , large needle hole, for 120001	...	...	...	...	...
26606	—	"	"	small	"	"	120001
691f	1324	"	"	"	Screw (2)	...	...
<i>NOTE.—No. 26605 is sent with this machine unless otherwise specified on order.</i>							
*15404	—	<b>Trade Mark</b>	...	...	...	...	...
15405	—	"	"	Rivet	...	...	...
44212	—	<b>Drip Pan</b> with four Wood Screws $\frac{1}{2}$ " No. 5	...	...	...	...	...

## No. 96K3 MACHINE (Obsolete)

For Cloaks, Clothing and other Work in Cloth. Drop Feed.

This Machine is the same as 96K10 with the following exceptions:—

No.	Plate						
*52392	—	<b>Arm</b>	...	...	...	...	...
52302	1500	"	Shaft	...	...	...	...
43921	1504	"	"	Flanged Bushing (back)	...	...	...
448c	1324	"	"	"	"	( " ) Set Screw	...
52078	1497	"	"	"	"	(front)	...
435c	1324	"	"	"	"	( " ) Set Screw	...
144d	1324	"	"	Screw	...	...	...
24297	1501	<b>Balance Wheel Oil Cover</b>	...	...	...	...	...
*52303	—	<b>Bed</b>	...	...	...	...	...
44136	1510	<b>Feed Dog</b>	...	...	...	...	...
20283	1505	"	and Feed Lifting Eccentric with 446c	...	...	...	...
446c	1324	"	"	"	"	Set Screw	...
44125	1500	<b>Feed Lifting Rock Shaft</b>	...	...	...	...	...
307c	1317	"	"	"	"	Screw Centre (2)	...
44126	—	<b>Feed Lifting Rock Shaft</b> , complete, Nos. 12376 and 44125	...	...	...	...	...
3039	1504	<b>Feed Regulator</b>	...	...	...	...	...
12379	1500	<b>Feed Rock Shaft</b>	...	...	...	...	...
20333	—	<b>Feed Rock Shaft</b> , complete, Nos. 12379 and 29633	...	...	...	...	...
25878	1319	<b>Guide</b>	...	...	...	...	...
52304	1504	<b>Needle Bar</b> (hollow)	...	...	...	...	...
29534	1511	<b>Presser Foot</b>	...	...	...	...	...
40258	1497	<b>Rotating Hook Belt</b>	...	...	...	...	...
52037	1497	"	"	"	Guard	...	...
181d	1515	"	"	"	"	Screw (2)	...
52048	1504	"	"	"	Pulley (lower, steel) with two 1147c and sixteen 52049	...	...
1147c	1515	"	"	"	"	(lower) Set Screw	...
52049	1504	"	"	"	"	( " ) Stud	...
52050	1504	"	"	"	"	(upper) with 1362c and thirty 40263	...
1362c	1515	"	"	"	"	( " ) Set Screw	...
40263	1504	"	"	"	"	( " ) Stud	...
52308	1501	"	"	Shaft	...	...	...
52044	1504	"	"	"	Bushing (back)	...	...
447c	1515	"	"	"	"	( " ) Set Screw	...
52039	1504	"	"	"	"	(front)	...
50145c	1515	"	"	"	"	( " ) Position Screw	...
44137	1510	<b>Throat Plate</b> , large needle hole, for 14136	...	...	...	...	...

## IRON BASE

No.	Plate		...	...	...	...
19219	1512	Bed Frame Cushion (leather)	...	...	...	...
158c	1324	" " " Screw	...	...	...	...
19220	1512	" " " Spring	...	...	...	...
19226	1512	" " Hinge Connection	...	...	...	...
19398	---	" " " " 19226 with 211f and 19397	...	...	...	...
19397	1512	" " " " Cap	...	...	...	...
211f	1515	" " " " " Screw	...	...	...	...
16555	1512	" " " " Plate	...	...	...	...
14010	1512	" " " " Rivet	...	...	...	...
20067	1513	<b>Bed Frame</b> with two each 16555, 19398, four each 19219, 19220, six each 14010, Wood Screws 1½" No. 12, and eight 158c	...	...	...	...

## ACCESSORIES

No.	Plate		...	...	...	...
40264	1499	<b>Bobbin (5)</b>	...	...	...	...
12361	1512	<b>Machine Hinge Connection (2)</b>	...	...	...	...
36569	1319	<b>Oiler</b> with 36571	...	...	...	...
36570		" 36569, filled with Oil	...	...	...	...
36571	1319	" Spout, 1¾" long	...	...	...	...
25537	1319	<b>Screw Driver</b> (large)	...	...	...	...
120378	1319	" " (small)	...	...	...	...

## BOBBIN WINDER

(Swinging Automatic, Left Hand) for 40264.

No.	Plate		...	...	...	...
41913	1311	<b>Bracket</b> with 457c	...	...	...	...
41583	1311	<b>Frame</b> with 457c	...	...	...	...
34105	1311	" Hinge Pin	...	...	...	...
457c	1324	" " " Set Screw	...	...	...	...
41914	1311	" Spring	...	...	...	...
41585	1311	<b>Pulley</b> with 171d	...	...	...	...
171d	1324	" Set Screw	...	...	...	...
41586	1311	<b>Spindle</b>	...	...	...	...
41587	1311	<b>Stop Latch</b>	...	...	...	...
42614	1311	" " Hinge Stud	...	...	...	...
457c	1324	" " " " Set Screw	...	...	...	...
7958	1198	" " Stop Pin	...	...	...	...
41588	1311	" " Tripping Arm with 185h	...	...	...	...
185h	1324	" " " " Clamping Screw	...	...	...	...
60845	1314	<b>Bobbin Winder</b> , Nos. 7958, 34105, 41583, 41585 to 41588, 41913, 41914 and 42614	...	...	...	...
41915	-	<b>Bobbin Winder</b> , complete, Nos. 880c, 25446 and 60845	...	...	...	...
880c	1325	<b>Bobbin Winder Screw</b>	...	...	...	...
25446	1323	" " " Washer	...	...	...	...



No.	Plate		...	...	...	...	...	...
85683	558	<b>Presser Foot</b>	...	...	...	...	...	...
85324	—	<b>Tape Tension Pin</b> (bent)	...	...	...	...	...	...
85323	—	" " " (straight)	...	...	...	...	...	...
85340	—	" " Plate	...	...	...	...	...	...
85339	558	" " complete, Nos. 85324, 85340 and four 85323	...	...	...	...	...	...
207d	558	" " Screw	...	...	...	...	...	...
85325	186	" " " Washer	...	...	...	...	...	...
85684	558	<b>Throat Plate</b>	...	...	...	...	...	...
85685	558	<b>Binder</b> , complete, Nos. SS50d, 207d, 85335, 85339, 85682 to 85684 and two 85325	...	...	...	...	...	...

BINDER  $\frac{1}{2}$ ", for General Work.

No.	Plate		...	...	...	...	...	...
85686	558	<b>Feed Dog</b>	...	...	...	...	...	...
85320	558	<b>Folder</b>	...	...	...	...	...	...
SS50d	186	" Screw	...	...	...	...	...	...
85325	186	" " Washer	...	...	...	...	...	...
85687	—	<b>Presser Foot Bracket</b>	...	...	...	...	...	...
85688	—	" " " Hinge Pin	...	...	...	...	...	...
85689	—	" " Sole	...	...	...	...	...	...
85690	558	" " (hinged), complete, Nos. 85687 to 85689	...	...	...	...	...	...
85324	—	<b>Tape Tension Pin</b> (bent)	...	...	...	...	...	...
85323	—	" " " (straight)	...	...	...	...	...	...
85322	—	" " Plate	...	...	...	...	...	...
85321	557	" " complete, Nos. 85322, 85324 and eight 85323	...	...	...	...	...	...
SS50d	186	" " Screw	...	...	...	...	...	...
85325	186	" " " Washer	...	...	...	...	...	...
85691	558	<b>Throat Plate</b>	...	...	...	...	...	...
85692	558	<b>Binder</b> , complete, Nos. 85320, 85321, 85686, 85690, 85691, two each SS50d and 85325	...	...	...	...	...	...

BINDER  $\frac{1}{2}$ ", for Stay Work.

No.	Plate		...	...	...	...	...	...
85693	557	<b>Feed Dog</b>	...	...	...	...	...	...
85614	—	<b>Folder</b>	...	...	...	...	...	...
SS65d	1324	" Screw	...	...	...	...	...	...
85694	—	<b>Presser Foot Bracket</b>	...	...	...	...	...	...
85616	—	" " " Hinge Pin	...	...	...	...	...	...
85695	—	" " Sole	...	...	...	...	...	...
85696	557	" " (hinged), complete, Nos. 85616, 85694 and 85695	...	...	...	...	...	...
85324	—	<b>Tape Tension Pin</b> (bent)	...	...	...	...	...	...
85323	—	" " " (straight)	...	...	...	...	...	...
85322	—	" " Plate	...	...	...	...	...	...
85321	557	" " complete, Nos. 85322, 85324 and eight 85323	...	...	...	...	...	...
SS50d	186	" " Screw	...	...	...	...	...	...
85325	186	" " " Washer	...	...	...	...	...	...
85697	557	<b>Throat Plate</b>	...	...	...	...	...	...
85698	557	<b>Binder</b> , complete, Nos. SS50d, SS65d, 85321, 85325, 85614, 85693, 85696 and 85697	...	...	...	...	...	...

BINDER  $\frac{1}{2}$ ", for Stay Work.

No.	Plate		...	...	...	...	...	...
85699	186	<b>Base</b>	...	...	...	...	...	...
85597	186	<b>Binder</b>	...	...	...	...	...	...
85324	—	<b>Tape Tension Pin</b> (bent)	...	...	...	...	...	...
85323	—	" " " (straight)	...	...	...	...	...	...
85700	186	<b>Binder and Tension</b> only, complete, Nos. 85324, 85597, 85699 and nine 85323	...	...	...	...	...	...
SS50d	186	" Screw	...	...	...	...	...	...
85325	186	" " Washer	...	...	...	...	...	...
85701	186	<b>Feed Dog</b>	...	...	...	...	...	...
85702	—	<b>Presser Foot Bracket</b>	...	...	...	...	...	...
85703	—	" " " Hinge Pin	...	...	...	...	...	...
85704	—	" " Sole	...	...	...	...	...	...
85705	186	" " (hinged), complete, Nos. 85702 to 85704	...	...	...	...	...	...
85706	186	<b>Throat Plate</b>	...	...	...	...	...	...
85707	186	<b>Binder</b> , complete, Nos. SS50d, 85325, 85700, 85701, 85705 and 85706	...	...	...	...	...	...

**BINDER, FOLDER and TENSION  $\frac{3}{16}$ " for Stay Work.**

No.	Plate								
85711	187	<b>Base</b>	...	...	...	...	...	...	...
85603	187	<b>Binder</b>	...	...	...	...	...	...	...
85604	187	<b>Folder</b>	...	...	...	...	...	...	...
207d	558	" Screw	...	...	...	...	...	...	...
85325	186	" " Washer	...	...	...	...	...	...	...
85605	187	<b>Tape Guide</b>	...	...	...	...	...	...	...
85606	187	" " Bracket	...	...	...	...	...	...	...
207d	558	" " " Screw	...	...	...	...	...	...	...
85325	186	" " " Washer	...	...	...	...	...	...	...
207d	558	" " " Screw	...	...	...	...	...	...	...
85325	186	" " " Washer	...	...	...	...	...	...	...
85607	...	" Tension Pin	...	...	...	...	...	...	...
85712	187	<b>Binder, Folder and Tension</b> only, complete, Nos. 85603 to 85606, 85711, three each 207d, 85325 and seven 85607	...	...	...	...	...	...	...
SS50d	186	<b>Binder Screw</b>	...	...	...	...	...	...	...
85325	186	" " Washer	...	...	...	...	...	...	...
85701	186	<b>Feed Dog</b>	...	...	...	...	...	...	...
85702	...	<b>Presser Foot Bracket</b>	...	...	...	...	...	...	...
85703	...	" " " Hinge Pin	...	...	...	...	...	...	...
85704	...	" " Sole	...	...	...	...	...	...	...
85705	186	" " (hinged), complete, Nos. 85702 to 85704	...	...	...	...	...	...	...
85706	186	<b>Throat Plate</b>	...	...	...	...	...	...	...
85713	187	<b>Binder</b> , complete, Nos. SS50d, 85325, 85701, 85705, 85706 and 85712	...	...	...	...	...	...	...

**BRAIDER FOOT (Long Shank, Adjustable)**

No.	Plate								
86179	...	<b>Braider Foot</b>	...	...	...	...	...	...	...
86176	...	" " Guide (Wire)	...	...	...	...	...	...	...
SS182d	1324	" " " Screw	...	...	...	...	...	...	...
86180	560	<b>Braider Foot</b> , complete, Nos. 86179, two each SS182d and 86176	...	...	...	...	...	...	...
86178	560	<b>Braider Foot</b>	...	...	...	...	...	...	...

**CORDERS**

When ordering state Size or No. of Cords to the inch.

**CORDER (Adjustable), for Fine Cording.**

No.	Plate								
85842	560	<b>Base</b>	...	...	...	...	...	...	...
85843	560	<b>Finger Arm</b>	...	...	...	...	...	...	...
85844	560	" " Adjustable Bracket	...	...	...	...	...	...	...
85845	...	" " " Block	...	...	...	...	...	...	...
393c	1324	" " " " Screw	...	...	...	...	...	...	...
316c	1324	" " " " Centre Screw	...	...	...	...	...	...	...
1547d	1325	" " " " " Nut	...	...	...	...	...	...	...
NN4d	1325	" " " " Thumb Nut	...	...	...	...	...	...	...
286d	1324	" " " " " Set Screw	...	...	...	...	...	...	...
85846	560	<b>Corder</b> only, complete, Nos. NN4d, 286d, 393c, 85842 to 85845, two each 316c and 1547d	...	...	...	...	...	...	...
85864	560	<b>Feed Dog</b>	...	...	...	...	...	...	...
85865	560	<b>Presser Foot</b>	...	...	...	...	...	...	...
85866	560	<b>Throat Plate</b>	...	...	...	...	...	...	...
85867	560	<b>Corder</b> , complete, Nos. SS50d, 85846 and 85864 to 85866	...	...	...	...	...	...	...
SS50d	186	<b>Corder Screw</b> (to fasten to machine)	...	...	...	...	...	...	...

**CORDER (Bow), for Top Cording.**

No.	Plate								
85868	201	<b>Corder Bow</b>	...	...	...	...	...	...	...
85869	201	<b>Presser Foot</b>	...	...	...	...	...	...	...
759d	1324	" " Thumb Screw	...	...	...	...	...	...	...
85870	201	<b>Corder (Bow)</b> , complete, Nos. 759d, 85868 and 85869	...	...	...	...	...	...	...



**Flat Sole, with Groove.**

No.	Plate								
86544	---	$\frac{1}{16}$ "	...	...	...	...	...	...	...
86545	---	$\frac{3}{32}$ "	...	...	...	...	...	...	...
86546	1931	$\frac{1}{8}$ "	...	...	...	...	...	...	...
86547	---	$\frac{5}{32}$ "	...	...	...	...	...	...	...
86548	---	$\frac{3}{16}$ "	...	...	...	...	...	...	...
86549	---	$\frac{7}{32}$ "	...	...	...	...	...	...	...
86550	---	$\frac{1}{4}$ "	...	...	...	...	...	...	...

86025 562 **Hemmer Foot**,  $\frac{1}{16}$ " to  $\frac{3}{32}$ " Hem, in grades of  $\frac{1}{32}$ " ...

**PRESSER FOOT.**

No.	Plate								
86188	958		<b>Presser Foot</b> (narrow) for narrow tucking ...	...	...	...	...	...	...

**QUILTER.**

No.	Plate								
86041	958		<b>Clamp</b> with 207d ...	...	...	...	...	...	...
	207d	558	" Screw ...	...	...	...	...	...	...
86042	958		<b>Rod</b> ...	...	...	...	...	...	...
86043	958		<b>Quilter</b> , complete, Nos. 86041 and 86042 ...	...	...	...	...	...	...

**TUCKERS (Long Arm).**

No.	Plate								
36387	1315		<b>Space Guide</b> ...	...	...	...	...	...	...
35510	1315		" " Base with 35512, 35514 and two 1426e ...	...	...	...	...	...	...
	402d	1317	" " " Screw ...	...	...	...	...	...	...
35511	1317		" " Indicator ...	...	...	...	...	...	...
35512	1317		" " Pin ...	...	...	...	...	...	...
35513	1317		" " Stop (left) ...	...	...	...	...	...	...
35514	1317		" " " ( " ) Guide Pin ...	...	...	...	...	...	...
	1426e	1317	" " " ( " ) Screw Stud ...	...	...	...	...	...	...
	1657d	1317	" " " ( " ) Thumb Nut ...	...	...	...	...	...	...
17718	1317		" " " ( " ) " " Washer ...	...	...	...	...	...	...
35515	1317		" " " (right) ...	...	...	...	...	...	...
	1426e	1317	" " " ( " ) Screw Stud ...	...	...	...	...	...	...
	1657d	1317	" " " ( " ) Thumb Nut ...	...	...	...	...	...	...
17718	1317		" " " ( " ) " " Washer ...	...	...	...	...	...	...
	287d	1317	" " Thumb Screw ...	...	...	...	...	...	...
36388	---		<b>Space Guide</b> , complete, Nos. 287d, 35510, 35511, 35513, 35515, 36387, two each 1657d and 17718 ...	...	...	...	...	...	...

No.	Plate								
35517	1309		<b>Tuck Guide Arm</b> ...	...	...	...	...	...	...
	1177d	1317	" " " Screw ...	...	...	...	...	...	...
35518	1309		" " Base ...	...	...	...	...	...	...
50134e	1317		" " " Screw Stud ...	...	...	...	...	...	...
36389	1309		" " Bracket ...	...	...	...	...	...	...
	307c	1317	" " " Screw Centre ...	...	...	...	...	...	...
	1513j	1317	" " " " " Nut ...	...	...	...	...	...	...
36390	1317		" " " Spring ...	...	...	...	...	...	...
36391	1315		" " " " Plate ...	...	...	...	...	...	...
	9d	1317	" " " " Screw ...	...	...	...	...	...	...
	123c	1317	" " " Stop Screw ...	...	...	...	...	...	...
	1520r	1317	" " " " " Nut ...	...	...	...	...	...	...
36392	1309		" " Frame ...	...	...	...	...	...	...
36393	1317		" " " Spring ...	...	...	...	...	...	...
	1510e	1317	" " " " Nut ...	...	...	...	...	...	...
35521	1317		" " " " Washer ...	...	...	...	...	...	...
	803c	1317	" " " Stop Screw ...	...	...	...	...	...	...
	1520r	1317	" " " " " Nut ...	...	...	...	...	...	...
35511	1317		" " Indicator ...	...	...	...	...	...	...
35525	1309		" " Plate ...	...	...	...	...	...	...
	1115f	1317	" " Screw ...	...	...	...	...	...	...

36394 - **Tuck Guide**, complete, Nos. 9d, 123c, 803c, 1510e, 35511, 35517, 35518, 35521, 35525, 36389 to 36393, 50134e, two each 307c, 1115f, 1177d, 1513j, 1520r and three Wood Screws 1 $\frac{1}{4}$ " No. 10

36395 - **Tucker** (long arm), complete, Nos. 35528, 36388, 36394 and two 402d ...

52031 967 **Feed Dog** for shirt work ...

35528 1510 **Presser Foot** (wide) for 36395 ...  
 40322 1510 " " (narrow) for 36395 ...  
 36654 1510 " " for tucking shirt bosoms, for 36670 ...

52032 **Throat Plate**, large needle hole, for 52031 ...  
 52033 967 " " small " " " 52031 ...

36670 - **Tucker** (long arm), complete, for tango tucking, Nos. 36388, 36394, 36654 and two 402d ...



## KNEE LIFTER

No.	Plate							
5596	1497	<b>Bell Crank</b>	...	...	...	...	...	...
5599	1497	"	"	Bracket	...	...	...	...
178e	1324	"	"	"	Screw	...	...	...
5601	1498	"	"	Hinge Pin	...	...	...	...
5735	1498	"	"	Spring	...	...	...	...
56848	---	"	"	5596 with 5599 and 5601	...	...	...	...
5598	1497	<b>Bell Crank, complete, Nos. 5735 and 56848</b>	...	...	...	...	...	...
12237	1514	<b>Lifting Lever with U8c</b>	...	...	...	...	...	...
52028	1497	"	"	Connecting Rod	...	...	...	...
12416	1316	"	"	"	"	Joint	...	...
76d	1324	"	"	"	"	"	Hinge Screw	...
1521e	1325	"	"	"	"	Lock Nut	...	...
802d	1325	"	"	Hinge Screw	...	...	...	...
12241	1316	"	"	Link	...	...	...	...
766d	1324	"	"	"	Hinge Screw	...	...	...
12240	1316	"	"	Pin	...	...	...	...
448c	1324	"	"	"	Set Screw	...	...	...
2763	1514	<b>Rock Shaft</b>	...	...	...	...	...	...
97502	1815	"	"	Bracket	...	...	...	...
---	---	"	"	"	Screw (Wood), 1" No. 10	...	...	...
2765	1514	"	"	Knee Arm	...	...	...	...
2766	1514	"	"	"	Hub with 356c	...	...	...
356c	1324	"	"	"	"	Set Screw	...	...
2768	---	"	"	"	complete, Nos. 2765 to 2767	...	...	...
2767	1514	"	"	"	Plate with 356c	...	...	...
356c	1324	"	"	"	"	Set Screw	...	...
6337	1514	"	"	Lifting Bracket with two 356c	...	...	...	...
2778	1514	"	"	"	"	Hook	...	...
356c	1324	"	"	"	"	"	Set Screw	...
356c	1324	"	"	"	"	"	Set Screw	...
2770	1514	"	"	Stop Dog with 356c	...	...	...	...
356c	1324	"	"	"	"	"	Set Screw	...
85245	1514	<b>Rock Shaft, complete, Nos. 2763, 2768, 2778, 6337, two each 2770, 97502 and four Wood Screws 1" No. 10</b>	...	...	...	...	...	...
85246	---	<b>Knee Lifter, complete, Nos. 76d, 766d, 802d, 1521e, 5598, 12237, 12240, 12241, 12416, 52028, 85245 and two 178e</b>	...	...	...	...	...	...

## TAPE HOLDER

(8 IN. DISC)

FOR 96K14 MACHINE.

No.	Plate							
26061	7708	<b>Bracket Wire with Disc</b>	...	...	...	...	...	...
26062	7708	<b>Disc (adjustable) with 286d and 35925</b>	...	...	...	...	...	...
35925	---	"	"	Hub	...	...	...	...
286d	1324	"	"	Thumb Screw	...	...	...	...
26063	7708	<b>Tape Holder (straight), 8" disc, complete, Nos. 26061 and 26062</b>	...	...	...	...	...	...
190d	1324	<b>Tape Holder Set Screw</b>	...	...	...	...	...	...

## THREAD UNWINDER

FOR TWO SPOOLS OF THREAD.

No.	Plate							
225325	1621	<b>Spool Rest with 201018c</b>	...	...	...	...	...	...
225388	1621	"	"	Rod	...	...	...	...
200383c	1325	"	"	"	Set Screw	...	...	...
201018c	1515	"	"	"	Set Screw	...	...	...
202490	1621	"	"	Stand with 200383c	...	...	...	...
225391	1621	<b>Thread Guide</b>	...	...	...	...	...	...
201696j	1515	"	"	Lock Nut	...	...	...	...
225326	---	"	"	Position Cup	...	...	...	...
225324	1621	"	"	Rod with 208c and 225322	...	...	...	...
208c	1515	"	"	"	Screw	...	...	...
225322	---	"	"	"	Washer	...	...	...
225396	1621	<b>Thread Unwinder, complete, Nos. 201696j, 202490, 225324 to 225326, 225388, two 225391 and three Wood Screws <math>\frac{7}{8}</math>" No. 12</b>	...	...	...	...	...	...