

SINGER
131W103,W104

LIST OF PARTS



MACHINES

Nos. 131w103 and 131w104

THE SINGER MANUFACTURING COMPANY

INDEX

| | PAGE |
|-------------------------------|------|
| ACCESSORIES | 26 |
| ATTACHMENT SLIDE PLATES | 29 |
| BED SLIDES | 30 |
| BOBBIN WINDER | 26 |
| FEED DOGS | 33 |
| KNEE LIFTER | 27 |
| MACHINE No. 131w103 | 7 |
| " " 131w104 | 17 |
| NEEDLE HOLDERS | 34 |
| NUMERICAL LIST OF PARTS | 47 |
| OBSOLETE PARTS | 46 |
| PRESSER FEET | 37 |
| THREAD UNWINDERS | 28 |
| THROAT PLATES | 42 |

Instructions for Ordering

In ordering from this list, use **ONLY** the **PART** number in the **FIRST** column.

The number stamped on a Sewing Machine Part is the number of the Single Part only, except when the part includes Set Screws, Clamping Screws, Studs and Rollers Spun on, Small Wires riveted, or Parts soldered together, etc., which it is necessary to furnish in combination.

Every combination of parts sent out has its specific number which, although not stamped on Parts (except in above cases) must be used when ordering the combination.

Each number always indicates the **SAME PART** in whatever list it appears, or for whatever Machine.

The letters after some of the numbers indicate the style of finish only, as follows:

- A. Hardened, Polished and Plated.
- B. Polished and Plated.
- C. Hardened only.
- D. Polished only.
- E. Soft, not polished.
- F. Hardened and Polished.
- H. Blued.

These letters **MUST BE USED** when they appear in the list and **AFTER** the number, as in the list.

In this series

- 200001 to 201500 are Screw Numbers.
- 201501 to 201800 are Nut Numbers.
- 201801 to 202000 are Roller Numbers.
- 202001 and upward are numbers of Machine Parts.

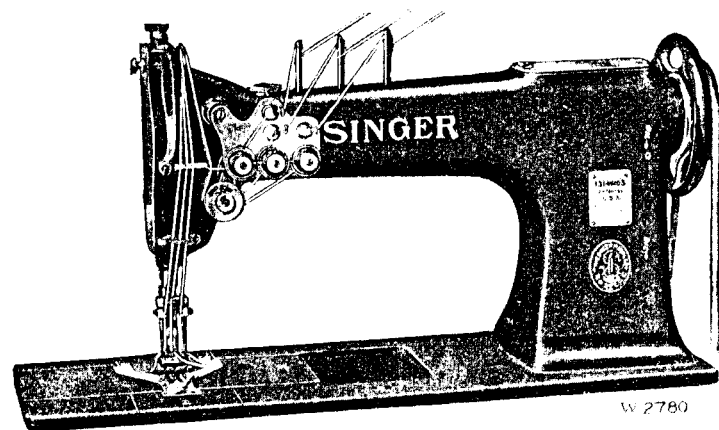
The figures in the second column refer only to the plate in which the illustration of the part is shown and are **NOT TO BE USED** in ordering.

Two or more numbers over a cut indicate that the difference between such parts is not visible in an illustration.

Parts marked with an asterisk (*) are furnished only when repairs are made at the factory.

LIST OF PARTS COMPLETE

FOR



MACHINE No. 131w103

For Corset Stripping, Skirt, Cloak and Suit Manufacture.

Three Needles. Three Vertical Hooks.

In gauges from $\frac{3}{16}$ to $\frac{1}{8}$ in., each side of center needle.

| No. | Plate | Name |
|----------|-------|---------------------------------|
| *235801 | --- | Arm with 202135 |
| 202247 | 13501 | " Cap |
| 200278II | 13502 | " " Screw |
| 202248 | 13502 | " " " Washer |
| 204235 | 13502 | " Position Pin (3) |
| 200010E | 13502 | " Screw (3) |
| 202005 | 13502 | " " Washer (3) |
| 235803 | 13504 | " Shaft with 200357E and 203100 |
| 235804 | 13501 | " " Bushing (back) with |
| | | 202299 |
| 202299 | --- | Arm Shaft Bushing (back) Oil |
| | | Packing (wick) |
| 200071E | 13502 | Arm Shaft Bushing (back) Screw |
| | | (3) |
| 202245 | 13501 | Arm Shaft Bushing (front) with |
| | | 202036 and 202260 |
| 202260 | --- | Arm Shaft Bushing (front) Oil |
| | | Packing (wick) |

| No. | Plate | Name |
|---------|-------|---|
| 200502b | 13502 | Arm Shaft Bushing (front) Oil Packing Thumb Screw |
| 202036 | 13502 | Arm Shaft Bushing (front) Position Pin |
| 200338c | 13502 | Arm Shaft Bushing (front) Set Screw |
| 203100 | --- | Arm Shaft Oil Packing (wick) .. |
| 200357E | 13502 | " " " " Stop Screw |
| 236064 | 13501 | Attachment Slide Plate with 213479 and 236061 |
| 236061 | 13502 | Attachment Slide Plate Friction Slide |
| 213479 | 13502 | Attachment Slide Plate Friction Slide Spring |
| 235806 | 13504 | Balance Wheel (belt groove 2½ in. diam.) with 200328c and 200335c .. |
| 200328c | 13502 | Balance Wheel Position Screw ... |
| 200335c | 13502 | " " Set Screw |
| *235807 | --- | Bed |
| 202258 | 12345 | " Hinge Connection (2) |
| 200570E | 13502 | " " " Screw (4) ... |
| 350043E | --- | " Oil Stop Screw (4) |
| 235813 | 13514 | " Slide (back) with 213479 and 236061 |
| 235811 | 13514 | Bed Slide (front) with 213479 and 236061, for use with Throat Plates in gauges from ⅜ to ½ in. each side of center needle ... |
| 236061 | 13502 | Bed Slide Friction Slide |
| 213479 | 13502 | " " " Spring |
| 223811 | 13502 | " " Stop (2) |
| 223812 | 13502 | " " " Spring (2) |
| 203470 | 13503 | Bobbin |
| *236081 | --- | " Case |
| 203648 | 13503 | " " Latch |
| *202056 | --- | " " " Pin |
| 203473 | 13503 | " " " Plunger |
| 203474 | 13503 | " " " Spring |
| 236078 | 13503 | " " Lever |
| 203476 | --- | " " " Eccentric |
| 204243 | 13503 | " " " " Position Pin |
| 236079 | 13503 | Bobbin Case Lever Fulcrum |
| 200056E | 10882 | " " " " Screw |
| 223855 | 13503 | " " " Slide Stud |
| 236083 | 13503 | " " Tension Spring |
| 201016c | 13503 | " " " " Regulating Screw |
| 200594c | 13503 | Bobbin Case Tension Spring Screw |
| 203216 | --- | " " Washer (cloth) |

| No. | Plate | Name |
|---------|-------|--|
| 236082 | 13503 | Bobbin Case complete, Nos. 200594c, 201016c, 202056, 203216, 203473, 203474, 203648, 236081 and 236083 |
| 202274 | 13501 | Face Plate |
| 202135 | 13502 | " " Position Pin |
| 200462b | 13502 | " " Thumb Screw |
| 235816 | 13501 | Feed Bar |
| 201223c | 13502 | " " Hinge Screw (driving) .. |
| 201518E | 13502 | " " " " Nut |
| 235822 | 13515 | " Dog, for 236013 |
| 201491E | --- | " " Screw (2) |
| 235842 | 13504 | " Driving Connection with 200054E and 202277 |
| 200545c | 13502 | Feed Driving Connection Hinge Screw |
| 204518E | 13502 | Feed Driving Connection Hinge Screw Nut |
| 202277 | --- | Feed Driving Connection Oil Packing (wick) |
| 200054E | 13502 | Feed Driving Connection Pinch Screw |
| 202300 | 13503 | Feed Driving Eccentric Regulating Bracket |
| 200256D | 13503 | Feed Driving Eccentric Regulating Bracket Hinge Screw |
| 201525E | 13503 | Feed Driving Eccentric Regulating Bracket Hinge Screw Nut |
| 202301 | 13503 | Feed Driving Eccentric Regulating Bracket Plunger |
| 202595 | 13503 | Feed Driving Eccentric Regulating Bracket Plunger Spring |
| 200607c | 13503 | Feed Driving Eccentric Regulating Bracket Plunger Spring Stop Screw |
| 200256D | 13503 | Feed Driving Eccentric Regulating Bracket Stop Screw |
| 201525E | 13503 | Feed Driving Eccentric Regulating Bracket Stop Screw Nut |
| 200429c | 13503 | Feed Driving Eccentric Regulating Screw |
| 200383c | 13503 | Feed Driving Eccentric Regulating Screw Check Screw |
| 235843 | 13504 | Feed Driving Rock Shaft |
| 235844 | --- | " " " " 235843 with 201223c, 201518E and 235816 |
| 202305 | 13502 | Feed Driving Rock Shaft Center (2) |
| 200346c | 13502 | Feed Driving Rock Shaft Center Set Screw (back) |

| No. | Plate | Name |
|---------|-------|---|
| 235845 | 13502 | Feed Driving Rock Shaft Center Set Screw (back) Extension Pin |
| 200346c | 13502 | Feed Driving Rock Shaft Center Set Screw (front) |
| 235846 | 13503 | Feed Driving Rock Shaft Crank with 200038c |
| 200038c | 13503 | Feed Driving Rock Shaft Crank Pinch Screw |
| 213354 | 13504 | Feed Lifting Connection with 200054e and 202277 |
| 200545c | 13502 | Feed Lifting Connection Hinge Screw |
| 201518e | 13502 | Feed Lifting Connection Hinge Screw Nut |
| 202277 | — | Feed Lifting Connection Oil Packing (wick) |
| 200054e | 13502 | Feed Lifting Connection Pinch Screw |
| 235847 | 13505 | Feed Lifting Eccentric with 200378c and 200396c |
| 200396c | 13505 | Feed Lifting Eccentric Position Screw |
| 200378c | 10880 | Feed Lifting Eccentric Set Screw |
| 235848 | 13504 | " " Rock Shaft |
| 202305 | 13502 | " " " " Center (2) |
| 200346c | 13502 | " " " " " Set Screw (back) |
| 235849 | 13505 | Feed Lifting Rock Shaft Center Set Screw (back) Extension Pin |
| 200346c | 13502 | Feed Lifting Rock Shaft Center Set Screw (front) |
| 235850 | 13505 | Feed Lifting Rock Shaft Crank with 200038c |
| 200038c | 13503 | Feed Lifting Rock Shaft Crank Pinch Screw |
| 235851 | 13505 | Feed Lifting Rock Shaft Slide Block |
| 235852 | 13505 | Feed Lifting Rock Shaft Slide Block Crank with two 200386c |
| 200386c | 13505 | Feed Lifting Rock Shaft Slide Block Crank Set Screw |
| 236080 | 13501 | Feed Regulating Spindle with 202311, 202443, 202619 and 210554 |
| *202311 | — | Feed Regulating Spindle Head |
| 202443 | 13505 | " " " " Pin |
| 202619 | 13505 | " " " " " Position Pin |
| 210554 | 13505 | Feed Regulating Spindle Spring (flat) |

| No. | Plate | Name |
|---------|-------|---|
| *203522 | — | Hook (sewing) (balanced) |
| 203523 | 13505 | " 203522 with 203525 and two 201253e |
| 236072 | — | Hook and Bobbin Case complete, Nos. 203523 and 236082 |
| 235853 | 13505 | Hook Driving Gear (spiral) (center) with 200383c and 200398c |
| 235854 | 13505 | Hook Driving Gear (spiral) (left or right) with 200383c and 200398c |
| 235855 | 13504 | Hook Driving Gear Guard |
| 200025c | 13505 | " " " " Screw (2) |
| 200398c | 13505 | " " " " Position Screw |
| 200383c | 13503 | " " " " Set Screw |
| 235856 | 13504 | " " Shaft |
| 235857 | 13505 | " " " Bevel Gear with 200374c and 200396c |
| 201405E | 13505 | Hook Driving Shaft Bevel Gear Guard Screw |
| 235858 | — | Hook Driving Shaft Bevel Gear (Guard Section (back)) |
| 235859 | — | Hook Driving Shaft Bevel Gear (Guard Section (front)) |
| 235860 | 13501 | Hook Driving Shaft Bevel Gear Guard complete, Nos. 201405E, 235858 and 235859 |
| 200396c | 13505 | Hook Driving Shaft Bevel Gear Position Screw |
| 200374c | 13505 | Hook Driving Shaft Bevel Gear Set Screw |
| 235861 | 13505 | Hook Driving Shaft Bushing (back) |
| 202321 | 13505 | Hook Driving Shaft Bushing (center) |
| 235862 | 13505 | Hook Driving Shaft Bushing (front) |
| 200346c | 13502 | Hook Driving Shaft Bushing Set Screw (3) |
| 221743 | 13506 | Hook Driving Shaft Collar with two 200380c (2) |
| 200380c | 11614 | Hook Driving Shaft Collar Set Screw |
| 202244 | — | Hook Driving Shaft Oil Packing (wick) |
| 203525 | 13506 | Hook Gib |
| 201253e | 13506 | " " Screw |
| 235863 | 13507 | " Saddle (center) |
| 235864 | 13507 | " " (left or right) |
| 236069 | 13506 | " " Needle Guard (center) |

| No. | Plate | Name |
|---------|-------|--|
| 200132E | 13506 | Hook Saddle Needle Guard (center) Screw |
| 236070 | 13506 | Hook Saddle Needle Guard (left or right) |
| 200900H | 13506 | Hook Saddle Needle Guard (left or right) Screw |
| 200034c | 13506 | Hook Saddle Screw (8) |
| 235865 | 13506 | " " " Washer (8) ... |
| 235869 | — | Hook Saddle (center) complete, Nos. 200056E, 200555H, 203527, 223855, 235863, 235866, 235867, 236069, 236072, 236078, 236079 and two 200132E |
| 235870 | — | Hook Saddle (left) complete, Nos. 200056E, 200555H, 203527, 223855, 235864, 235866, 235868, 236070, 236072, 236078, 236079 and two 200900H |
| 236071 | — | Hook Saddle (right) complete, Nos. 200056E, 200555H, 203527, 223855, 235864, 235866, 235868, 236070, 236072, 236078, 236079 and two 200900H |
| 235866 | 13506 | Hook Socket |
| 235867 | 13506 | " " Gear (spiral) (center) with two 200383c |
| 235868 | 13506 | Hook Socket Gear (spiral) (left or right) with two 200383c |
| 200383c | 13503 | Hook Socket Gear Set Screw |
| 200555H | 13506 | " " Screw |
| 213037 | — | " Washer |
| 203527 | 13506 | " " 213037 with 203476 and two 204243 |
| 202445 | 13507 | Knee Lifter Connection Lever with 202446 |
| 200224H | 11614 | Knee Lifter Connection Lever Hinge Screw |
| 213879 | 13507 | Knee Lifter Connection Lever Lifting Rod with 202302 |
| 202302 | 13506 | Knee Lifter Connection Lever Lifting Rod Cotter Pin |
| 202446 | 13506 | Knee Lifter Connection Lever Pin |
| 202448 | 13507 | " " Lifting Lever |
| 200262H | 11614 | " " " " Hinge Screw |
| 223686 | 13507 | Needle Bar |
| 235871 | 13506 | " " Bushing (lower) |
| 235872 | 13506 | " " " (upper) |
| 200352c | 13506 | " " " Set Screw (2) |
| 202552 | 13508 | " " Connecting Link |

| No. | Plate | Name |
|---------|-------|---|
| 236073 | 13508 | Needle Bar Connecting Link Oil Guard |
| 200161D | 13508 | Needle Bar Connecting Link Oil Guard Screw |
| 202333 | 13508 | Needle Bar Connecting Link Stud with 202254 |
| 202254 | — | Needle Bar Connecting Link Stud Oil Packing (wick) |
| 200374c | 13505 | Needle Bar Connecting Link Stud Set Screw |
| 200383c | 13503 | Needle Bar Connecting Link Stud Set Screw |
| 223688 | 13508 | Needle Bar Connecting Stud with 200072c and 202330 |
| 202330 | — | Needle Bar Connecting Stud Oil Packing (wick) |
| 200072c | 13508 | Needle Bar Connecting Stud Pinch Screw |
| 202692 | 13507 | Needle Bar Crank with 200335c, 200374c, 200383c, 200428c and 202333 |
| 235874 | — | Needle Bar Crank 202692 with 202399, 202400, 202552, 223688 and 236001 |
| 203172 | 13508 | Needle Bar Crank Friction Washer |
| 200428c | 13508 | " " " Position Screw.. |
| 200335c | 13502 | " " " Set Screw |
| 235875 | 13515 | " Holder, in gauges from $\frac{1}{8}$ to $\frac{1}{4}$ in. (each side of center needle) with 201030F and three 201350F |
| 201030F | 13509 | Needle Holder Screw |
| 201350F | 13509 | " Set Screw |
| 236067 | 13507 | Presser Bar with 200074F |
| 235900 | 13508 | " " Bushing |
| 200352c | 13506 | " " " Set Screw |
| 202554 | — | " " Lifter |
| 200653c | 13508 | " " " Hinge Screw .. |
| 202340 | 13508 | " " Lifting Releasing Lever Bracket |
| 200260D | 13508 | Presser Bar Lifting Releasing Lever Bracket Guide Screw |
| 202342 | 13508 | Presser Bar Lifting Releasing Lever Bracket Spring (spiral) .. |
| 235901 | 13508 | Presser Bar Position Guide with 200054E |
| 200054E | 13502 | Presser Bar Position Guide Pinch Screw |
| 236089 | — | Presser Bar Spring |
| 202346 | 13509 | " " " Stop Rod |

| No. | Plate | Name |
|---------|-------|--|
| 200492B | 13509 | Presser Bar Thumb Screw (pressure regulating) |
| 200475B | 13509 | Presser Bar Thumb Screw Thumb Set Screw |
| 202355 | 13509 | Presser Bar Thumb Screw Thumb Set Screw Packing (brass) |
| 230795 | 13509 | Presser Foot Hinge Pin |
| 235920 | --- | " " Plate, for 235921 |
| 235913 | --- | " " " " 235914 |
| 235923 | --- | " " " " 235924 |
| 200074F | 13509 | " " Screw |
| 235911 | --- | " " Shank |
| 235921 | 13517 | Presser Foot (hinged) complete, 40 needle hole, in gauges from $\frac{3}{8}$ to $\frac{13}{16}$ in. (each side of center needle), Nos. 230795, 235911 and 235920 |
| 236001 | 13509 | Take-up Lever |
| 202399 | 13509 | " " Driving Stud with 202277 |
| 202277 | --- | Take-up Lever Driving Stud Oil Packing (wick) |
| 202400 | 13509 | Take-up Lever Hinge Stud with 202423 |
| 202423 | --- | Take-up Lever Hinge Stud Oil Packing (wick) |
| 200383C | 13503 | Take-up Lever Hinge Stud Set Screw |
| 202401 | --- | Take-up Lever Oiling Felt |
| 200132E | 13506 | " " " " Screw |
| 236002 | 13511 | Tension Bracket with three each 200397H, 201224B and 236060 .. |
| 200159F | 13509 | Tension Bracket Screw |
| 234047 | 13509 | " " " Socket |
| 200368H | 13509 | " " " " Set Screw |
| 236003 | --- | Tension Bracket complete, Nos. 200978H, 201199F, 223706, 223707, 236002, 236004, two 200309E, three each 202407, 204059, 204271, 223704, four 201572B and six 202402 |
| 202402 | 13510 | Tension Disc |
| 236060 | 13510 | " " Position Pin |
| 236004 | 13510 | " Release Lever |
| 236005 | 13510 | " " " Rod |
| 200309E | 13510 | " " " Screw |
| 223704 | 13510 | " " Plunger |
| 204271 | 13510 | " " Washer |

| No. | Plate | Name |
|---------|-------|---|
| 202407 | 10881 | Tension Spring |
| 201224B | 13510 | " Stud |
| 201572B | 10881 | " Thumb Nut |
| 223706 | 13510 | Thread Controller Disc |
| 200978H | 13510 | " " " Screw |
| 223707 | 13510 | " " Spring |
| 236006 | 13510 | " " " Stop |
| 200132E | 13506 | " " " " Screw |
| 201199F | 13510 | " " Stud with 204925 .. |
| 200084F | --- | " " " Set Screw .. |
| 201572B | 10881 | " " " Thumb Nut .. |
| 204925 | 13510 | " " " Washer |
| 202412 | 13510 | " Guide (3) |
| 236007 | 13510 | " " (lower) |
| 200582H | 13510 | " " " Screw |
| 236077 | 13510 | " " (upper) |
| 200368H | 13509 | " " " Set Screw |
| 202091 | 13510 | " Retainer Sleeve |
| 202092 | 13510 | " " Spring |
| 204058 | 13510 | " " Stud |
| 200397H | 13510 | " " " Set Screw |
| 204059 | --- | Thread Retainer complete, Nos. 202091, 202092 and 204058 |
| 236013 | 13515 | Throat Plate, 46 needle hole, for needle sizes 16 and 18, in gauges from $\frac{1}{4}$ to $\frac{3}{16}$ in. (each side of center needle), for 235822 |
| 210983 | 13509 | Throat Plate Position Pin |
| 691F | 13509 | " " Screw (3) |
| 235808 | --- | " " Slide |
| 235809 | 13511 | " " " 235808 with 235810 and two 201404H |
| 235810 | 13509 | Throat Plate Slide Spring |
| 201404H | 13509 | " " " " Screw .. |
| 236051 | 13511 | Vertical Shaft |
| 235857 | 13505 | " " Bevel Gear (lower) with 200374c and 200396c |
| 236053 | 13512 | Vertical Shaft Bevel Gear (upper) with 200374c and 200396c |
| 200396c | 13505 | Vertical Shaft Bevel Gear Position Screw |
| 200374c | 13505 | Vertical Shaft Bevel Gear Set Screw |
| 236054 | 13511 | Vertical Shaft Bushing (lower) ... |
| 236055 | 13512 | " " " (upper) ... |
| 200346c | 13502 | " " " Set Screw (2) |
| 236056 | 13511 | " " Driving Bevel Gear with 200352c and 200362c |

| No. | Plate | Name |
|---------|-------|--|
| 236057 | — | Vertical Shaft Driving Bevel Gear 236056 with 202300, two each 200256n and 201525E |
| 200352c | 13506 | Vertical Shaft Driving Bevel Gear Position Screw |
| 200362c | 13512 | Vertical Shaft Driving Bevel Gear Set Screw |
| 236058 | 13512 | Vertical Shaft Oil Leader (lower) (brass) |
| 236059 | 13512 | Vertical Shaft Oil Leader (upper) (brass) |

LIST OF PARTS COMPLETE

FOR

MACHINE No. 131w104

For Corset Stripping, Skirt, Cloak and Suit Manufacture,
Etc. Four Needles. Four Vertical Hooks.

Least distance between rows of stitching $\frac{1}{4}$ inch, greatest
distance between outside rows of stitching $2\frac{1}{4}$ inches.

| No. | Plate | Name |
|---------|-------|--|
| 235801 | — | Arm with 202135 |
| 202247 | 13501 | " Cap |
| 200278H | 13502 | " " Screw |
| 202248 | 13502 | " " " Washer |
| 204235 | 13502 | " Position Pin (3) |
| 200010E | 13502 | " Screw (3) |
| 202005 | 13502 | " " Washer (3) |
| 235803 | 13504 | " Shaft with 200357E and 203100 |
| 235804 | 13501 | " " Bushing (back) with 202299 |
| 202299 | — | Arm Shaft Bushing (back) Oil Packing (wick) |
| 200071E | 13502 | Arm Shaft Bushing (back) Screw (3) |
| 202245 | 13501 | Arm Shaft Bushing (front) with 202036 and 202260 |
| 202260 | — | Arm Shaft Bushing (front) Oil Packing (wick) |
| 200502E | 13502 | Arm Shaft Bushing (front) Oil Packing Thumb Screw |
| 202036 | 13502 | Arm Shaft Bushing (front) Posi- tion Pin |
| 200338c | 13502 | Arm Shaft Bushing (front) Set Screw |
| 203100 | — | Arm Shaft Oil Packing (wick) ... |
| 200357E | 13502 | " " " " Stop Screw |
| 236064 | 13501 | Attachment Slide Plate with 213479 and 236061 |
| 236061 | 13502 | Attachment Slide Plate Friction Slide |
| 213479 | 13502 | Attachment Slide Plate Friction Slide Spring |

| No. | Plate | Name |
|---------|-------|---|
| 235806 | 13504 | Balance Wheel (belt groove 2½ in. diam.) with 200328c and 200335c |
| 200328c | 13502 | Balance Wheel Position Screw ... |
| 200335c | 13502 | " " Set Screw |
| *235807 | --- | Bed |
| 202258 | 12345 | " Hinge Connection (2) |
| 200570E | 13502 | " " " Screw (4) |
| 350043E | --- | " Oil Stop Screw (4) |
| 236341 | 13519 | " Slide (back) with 213479 and 236061, for use with Throat Plates with ¼ in. inside gauge and center gauge from ¼ to ¾ inch |
| 236342 | 13519 | Bed Slide (front) with 213479 and 236061, for use with Throat Plates with ¼ in. outside gauge and center gauge from ¼ to ¾ inch |
| 236061 | 13502 | Bed Slide Friction Slide |
| 213479 | 13502 | " " " " Spring.. |
| 223811 | 13502 | " " Stop (2) |
| 223812 | 13502 | " " " Spring (2) |
| 203470 | 13503 | Bobbin |
| *236081 | --- | " Case |
| 203648 | 13503 | " " Latch |
| *202056 | --- | " " " Pin |
| 203473 | 13503 | " " " Plunger |
| 203474 | 13503 | " " " Spring |
| 236078 | 13503 | " " Lever |
| 203476 | --- | " " " Eccentric |
| 204243 | 13503 | " " " " Position Pin |
| 236079 | 13503 | Bobbin Case Lever Fulcrum |
| 200056E | 10882 | " " " " " Screw |
| 223855 | 13503 | " " " Slide Stud |
| 236083 | 13503 | " " Tension Spring |
| 201016c | 13503 | " " " " " Regulating Screw |
| 200594c | 13503 | Bobbin Case Tension Spring Screw |
| 203216 | --- | " " Washer (cloth) |
| 236082 | 13503 | Bobbin Case complete, Nos. 200594c, 201016c, 202056, 203216, 203473, 203474, 203648, 236081 and 236083 |
| 202274 | 13501 | Face Plate |
| 202135 | 13502 | " " Position Pin |
| 200462B | 13502 | " " Thumb Screw |
| 235816 | 13501 | Feed Bar |
| 201223c | 13502 | " " Hinge Screw (driving).. |
| 201518E | 13502 | " " " " Nut |
| 236169 | 13520 | " Dog |

| No. | Plate | Name |
|---------|-------|---|
| 201491E | --- | Feed Dog Screw (2) |
| 235842 | 13504 | " Driving Connection with 200054E and 202277 |
| 200545c | 13502 | Feed Driving Connection Hinge Screw |
| 201518E | 13502 | Feed Driving Connection Hinge Screw Nut |
| 202277 | --- | Feed Driving Connection Oil Packing (wick) |
| 200054E | 13502 | Feed Driving Connection Pinch Screw |
| 202300 | 13503 | Feed Driving Eccentric Regulating Bracket |
| 200256D | 13503 | Feed Driving Eccentric Regulating Bracket Hinge Screw |
| 201525E | 13503 | Feed Driving Eccentric Regulating Bracket Hinge Screw Nut |
| 202301 | 13503 | Feed Driving Eccentric Regulating Bracket Plunger |
| 202595 | 13503 | Feed Driving Eccentric Regulating Bracket Plunger Spring |
| 200607c | 13503 | Feed Driving Eccentric Regulating Bracket Plunger Spring Stop Screw |
| 200256D | 13503 | Feed Driving Eccentric Regulating Bracket Stop Screw |
| 201525E | 13503 | Feed Driving Eccentric Regulating Bracket Stop Screw Nut |
| 200429c | 13503 | Feed Driving Eccentric Regulating Screw |
| 200383c | 13503 | Feed Driving Eccentric Regulating Screw Check Screw |
| 235843 | 13504 | Feed Driving Rock Shaft |
| 235844 | --- | " " " " " 235843 with 201223c, 201518E and 235816 |
| 202305 | 13502 | Feed Driving Rock Shaft Center (2) |
| 200346c | 13502 | Feed Driving Rock Shaft Center Set Screw (back) |
| 235845 | 13502 | Feed Driving Rock Shaft Center Set Screw (back) Extension Pin |
| 200346c | 13502 | Feed Driving Rock Shaft Center Set Screw (front) |
| 235846 | 13503 | Feed Driving Rock Shaft Crank with 200038c |
| 200038c | 13503 | Feed Driving Rock Shaft Crank Pinch Screw |
| 213354 | 13504 | Feed Lifting Connection with 200054E and 202277 |

| No. | Plate | Name |
|---------|-------|---|
| 200545c | 13502 | Feed Lifting Connection Hinge Screw |
| 201518E | 13502 | Feed Lifting Connection Hinge Screw Nut |
| 202277 | --- | Feed Lifting Connection Oil Packing (wick) |
| 200054E | 13502 | Feed Lifting Connection Pinch Screw |
| 235847 | 13505 | Feed Lifting Eccentric with 200378c and 200396c |
| 200396c | 13505 | Feed Lifting Eccentric Position Screw |
| 200378c | 10880 | Feed Lifting Eccentric Set Screw |
| 235848 | 13504 | " " Rock Shaft |
| 202305 | 13502 | " " " " Center (2) |
| 200346c | 13502 | " " " " " Set Screw (back) |
| 235849 | 13505 | Feed Lifting Rock Shaft Center Set Screw (back) Extension Pin |
| 200346c | 13502 | Feed Lifting Rock Shaft Center Set Screw (front) |
| 235850 | 13505 | Feed Lifting Rock Shaft Crank with 200038c |
| 200038c | 13503 | Feed Lifting Rock Shaft Crank Pinch Screw |
| 235851 | 13505 | Feed Lifting Rock Shaft Slide Block |
| 235852 | 13505 | Feed Lifting Rock Shaft Slide Block Crank with two 200386c .. |
| 200386c | 13505 | Feed Lifting Rock Shaft Slide Block Crank Set Screw |
| 236080 | 13501 | Feed Regulating Spindle with 202311, 202443, 202619 and 210554 |
| *202311 | --- | Feed Regulating Spindle Head .. |
| 202443 | 13505 | " " " " Pin |
| 202619 | 13505 | " " " " Position Pin |
| 210554 | 13505 | Feed Regulating Spindle Spring (flat) |
| *203522 | --- | Hook (sewing) (balanced) |
| 203523 | 13505 | " 203522 with 203525 and two 201253F |
| 236072 | --- | Hook and Bobbin Case complete, Nos. 203523 and 236082 |
| 236238 | 13512 | Hook Driving Gear (spiral) (left or right) (back) with 200383c and 200398c (2) |
| 236239 | 13512 | Hook Driving Gear (spiral) (left or right) (front) with 200383c and 200398c (2) |

| No. | Plate | Name |
|---------|-------|---|
| 235855 | 13504 | Hook Driving Gear Guard |
| 200025c | 13505 | " " " " Screw (2) |
| 200398c | 13505 | Hook Driving Gear Position Screw |
| 200383c | 13503 | " " " Set Screw |
| 235856 | 13504 | " " Shaft |
| 235857 | 13505 | " " " Bevel Gear with 200374c and 200396c |
| 201405E | 13505 | Hook Driving Shaft Bevel Gear Guard Screw |
| 235858 | ---- | Hook Driving Shaft Bevel Gear Guard Section (back) |
| 235859 | ---- | Hook Driving Shaft Bevel Gear Guard Section (front) |
| 235860 | 13501 | Hook Driving Shaft Bevel Gear Guard complete, Nos. 201405E, 235858 and 235859 |
| 200396c | 13505 | Hook Driving Shaft Bevel Gear Position Screw |
| 200374c | 13505 | Hook Driving Shaft Bevel Gear Set Screw |
| 235861 | 13505 | Hook Driving Shaft Bushing (back) |
| 202321 | 13505 | " " " " (center) |
| 235862 | 13505 | " " " " (front) |
| 200346c | 13502 | " " " " Set Screw (3) |
| 221743 | 13506 | Hook Driving Shaft Collar with two 200380c (2) |
| 200380c | 11614 | Hook Driving Shaft Collar Set Screw |
| 202244 | --- | Hook Driving Shaft Oil Packing (wick) |
| 203525 | 13506 | Hook Gib |
| 201253F | 13506 | " " Screw |
| 235864 | 13507 | " Saddle |
| 236070 | 13506 | " " Needle Guard |
| 200900H | 13506 | " " " " Screw .. |
| 200034c | 13506 | " " Screw (8) |
| 235865 | 13506 | " " " Washer (8) |
| 236180 | ---- | Hook Saddle (left, back) complete, Nos. 200056E, 200555H, 203527, 223855, 235864, 235866, 235867, 236070, 236072, 236078, 236079 and two 200900H |
| 236181 | ---- | Hook Saddle (right, back) complete, Nos. 200056E, 200555H, 203527, 223855, 235864, 235866, 235867, 236070, 236072, 236078, 236079 and two 200900H |

| No. | Plate | Name |
|---------|-------|--|
| 235870 | — | Hook Saddle (left, front) complete, Nos. 200056E, 200555H, 203527, 223855, 235864, 235866, 235868, 236070, 236072, 236078, 236079 and two 200900H |
| 236071 | — | Hook Saddle (right, front) complete, Nos. 200056E, 200555H, 203527, 223855, 235864, 235866, 235868, 236070, 236072, 236078, 236079 and two 200900H |
| 235866 | 13506 | Hook Socket |
| 235867 | 13506 | " " Gear (spiral) (left or right) (back) with two 200383C |
| 235868 | 13506 | Hook Socket Gear (spiral) (left or right) (front) with two 200383C |
| 200383C | 13503 | Hook Socket Gear Set Screw |
| 200555H | 13506 | " " Screw |
| 213037 | — | Washer |
| 203527 | 13506 | " " 213037 with 203476 and two 204243 |
| 202445 | 13507 | Knee Lifter Connection Lever with 202446 |
| 200224H | 11614 | Knee Lifter Connection Lever Hinge Screw |
| 213879 | 13507 | Knee Lifter Connection Lever Lifting Rod with 202302 |
| 202302 | 13506 | Knee Lifter Connection Lever Lifting Rod Cotter Pin |
| 202446 | 13506 | Knee Lifter Connection Lever Pin |
| 202448 | 13507 | " " Lifting Lever |
| 200262H | 11614 | " " " " Hinge Screw |
| 223686 | 13507 | Needle Bar |
| 235871 | 13506 | " " Bushing (lower) |
| 235872 | 13506 | " " " (upper) |
| 200352C | 13506 | " " " Set Screw (2).. |
| 202552 | 13508 | " " Connecting Link |
| 236073 | 13508 | " " " " Oil Guard |
| 200161D | 13508 | Needle Bar Connecting Link Oil Guard Screw |
| 202333 | 13508 | Needle Bar Connecting Link Stud with 202254 |
| 202254 | — | Needle Bar Connecting Link Stud Oil Packing (wick) |
| 200374C | 13505 | Needle Bar Connecting Link Stud Set Screw |
| 200383C | 13503 | Needle Bar Connecting Link Stud Set Screw |

| No. | Plate | Name |
|---------|-------|--|
| 223688 | 13508 | Needle Bar Connecting Stud with 200072C and 202330 |
| 202330 | — | Needle Bar Connecting Stud Oil Packing (wick) |
| 200072C | 13508 | Needle Bar Connecting Stud Pinch Screw |
| 202692 | 13507 | Needle Bar Crank with 200335C, 200374C, 200383C, 200428C and 202333 |
| 236240 | — | Needle Bar Crank 202692 with 202399, 202400, 202552, 223688 and 236241 |
| 203172 | 13508 | Needle Bar Crank Friction Washer |
| 200428C | 13508 | " " " Position Screw.. |
| 200335C | 13502 | " " " Set Screw |
| 236364 | 13521 | " Holder, in $1 \frac{1}{4}$ in. gauge, with 201030F, two each 236374, 236376, four each 200165H and 201350F |
| 236374 | — | Needle Holder Thread Guide (left) |
| 236376 | — | " " " " (right) |
| 200165H | — | " " " " Screw |
| 201030F | 13509 | " " Screw |
| 201350F | 13509 | " Set Screw |
| 236067 | 13507 | Presser Bar with 200074F |
| 235900 | 13508 | " " Bushing |
| 200352C | 13506 | " " " Set Screw |
| 202554 | — | " " Lifter |
| 200653C | 13508 | " " " Hinge Screw .. |
| 202340 | 13508 | " " Lifting Releasing Lever Bracket |
| 200260D | 13508 | Presser Bar Lifting Releasing Lever Bracket Guide Screw |
| 202342 | 13508 | Presser Bar Lifting Releasing Lever Bracket Spring (spiral) |
| 235901 | 13508 | Presser Bar Position Guide with 200054E |
| 200054E | 13502 | Presser Bar Position Guide Pinch Screw |
| 236089 | — | Presser Bar Spring |
| 202346 | 13509 | " " " Stop Rod |
| 200492B | 13509 | " " Thumb Screw (pressure regulating) |
| 200475B | 13509 | Presser Bar Thumb Screw Thumb Set Screw |
| 202355 | 13509 | Presser Bar Thumb Screw Thumb Set Screw Packing (brass) |
| 206335 | 13522 | Presser Foot Hinge Pin |
| 236207 | — | " " Plate |

| No. | Plate | Name |
|---------|-------|--|
| 200074F | 13509 | Presser Foot Screw |
| 236200 | — | “ “ Shank, in $\frac{1}{4}$ in. gauge (between center needles) |
| 236208 | 13522 | Presser Foot (hinged) complete, 40 needle hole, in $\frac{1}{4}$ $\frac{1}{4}$ in. gauge, Nos. 206335, 236200 and 236207 .. |
| 236241 | 13512 | Take-up Lever |
| 202399 | 13509 | “ “ Driving Stud with 202277 |
| 202277 | — | Take-up Lever Driving Stud Oil Packing (wick) |
| 202400 | 13509 | Take-up Lever Hinge Stud with 202423 |
| 202423 | — | Take-up Lever Hinge Stud Oil Packing (wick) |
| 200383c | 13503 | Take-up Lever Hinge Stud Set Screw |
| 202401 | — | Take-up Lever Oiling Felt |
| 200132E | 13506 | “ “ “ “ Screw |
| 236242 | 13511 | Tension Bracket with four each 200397H, 201224R and 236060 |
| 200159F | 13509 | Tension Bracket Screw |
| 234047 | 13509 | “ “ “ “ Socket |
| 200368H | 13509 | “ “ “ “ Set Screw |
| 236243 | — | Tension Bracket complete, Nos. 200978H, 201199F, 223706, 223707, 236153, 236242, two 200309E, four each 202407, 204059, 204271, 223704, five 201572R and eight 202402 |
| 202402 | 13510 | Tension Disc |
| 236060 | 13510 | “ “ Position Pin |
| 236153 | 13512 | “ Release Lever |
| 236005 | 13510 | “ “ “ Rod |
| 200309E | 13510 | “ “ “ Screw |
| 223704 | 13510 | “ “ Plunger |
| 204271 | 13510 | “ “ Washer |
| 202407 | 10881 | “ Spring |
| 201224R | 13510 | “ Stud |
| 201572R | 10881 | “ Thumb Nut |
| 223706 | 13510 | Thread Controller Disc |
| 200978H | 13510 | “ “ “ Screw |
| 223707 | 13510 | “ “ Spring |
| 236006 | 13510 | “ “ “ Stop |
| 200132E | 13506 | “ “ “ “ Screw |
| 201199F | 13510 | “ “ Stud with 204925 .. |
| 200084F | — | “ “ “ Set Screw .. |
| 201572R | 10881 | “ “ “ Thumb Nut .. |

| No. | Plate | Name |
|---------|-------|--|
| 204925 | 13510 | Thread Controller Stud Washer .. |
| 202412 | 13510 | “ Guide (4) |
| 236245 | 13512 | “ “ (lower) |
| 200582H | 13510 | “ “ “ Screw (2) |
| 236077 | 13510 | “ “ (upper) |
| 200368H | 13509 | “ “ “ Set Screw |
| 202091 | 13510 | “ Retainer Sleeve |
| 202092 | 13510 | “ “ Spring |
| 204058 | 13510 | “ “ Stud |
| 200397H | 13510 | “ “ “ Set Screw |
| 204059 | — | Thread Retainer complete, Nos. 202091, 202092 and 204058 |
| 236263 | 13520 | Throat Plate, 46 needle hole, for needle sizes 16 and 18, in $\frac{1}{4}$ - $\frac{1}{4}$ in. gauge |
| 210983 | 13509 | Throat Plate Position Pin |
| 691F | 13509 | “ “ Screw (3) |
| 236051 | 13511 | Vertical Shaft |
| 235857 | 13505 | “ “ Bevel Gear (lower) with 200374c and 200396c |
| 236053 | 13512 | Vertical Shaft Bevel Gear (upper) with 200374c and 200396c |
| 200396c | 13505 | Vertical Shaft Bevel Gear Posi- tion Screw |
| 200374c | 13505 | Vertical Shaft Bevel Gear Set Screw |
| 236054 | 13511 | Vertical Shaft Bushing (lower) .. |
| 236055 | 13512 | “ “ “ (upper) |
| 200346c | 13502 | “ “ “ Set Screw (2) |
| 236056 | 13511 | “ “ Driving Bevel Gear with 200352c and 200362c |
| 236057 | — | Vertical Shaft Driving Bevel Gear 236056 with 202300, two each 200256D and 201525E |
| 200352c | 13506 | Vertical Shaft Driving Bevel Gear Position Screw |
| 200362c | 13512 | Vertical Shaft Driving Bevel Gear Set Screw |
| 236058 | 13512 | Vertical Shaft Oil Leader (lower) (brass) |
| 236059 | 13512 | Vertical Shaft Oil Leader (upper) (brass) |

ACCESSORIES

FOR MACHINE No. 131w103

| No. | Plate | Name |
|---------|-------|--|
| 200184n | 13513 | Attachment Screw (2) |
| 203470 | 13503 | Bobbin (12) |
| *225482 | — | " Case Screw Driver Blade .. |
| *225483 | — | " " " " Handle .. |
| 225497 | 12345 | Bobbin Case Screw Driver complete, Nos. 225482 and 225483 .. |
| 36553 | 13513 | Tweezers (pointed), 4 inch |
| 141 x 1 | — | Needles, eighteen, size No. 16 |
| 223762 | — | Drip Pan, 20 in. long, with four 1 in. wire nails |
| 41400 | 12345 | Machine Rest Pin (wood) |
| 36578 | 12345 | Oiler with 36579 |
| 36579 | 12345 | " Spout, 3½ in. long, with 120117 |
| 120117 | — | " " Washer |
| *225484 | — | Screw Driver Blade |
| *225485 | — | " " Handle |
| 225498 | 12345 | Screw Driver complete (7¼ in. long), Nos. 225484 and 225485 .. |
| 225554 | 12345 | Wrench (steel) |

BOBBIN WINDER

Swing Automatic, Right Hand.

| | | |
|---------|-------|-----------------------------------|
| *225451 | — | Bobbin Holder |
| 225453 | 10882 | Frame with 202277 and 225438 |
| 225454 | 10882 | " Hinge Pin |
| 202277 | — | " Oil Packing (wick) |
| 225438 | 10882 | " " Well Cap |
| 225455 | 10882 | " Spring |
| 225456 | 10882 | " " Plunger |
| 202473 | 10883 | Pulley with 200380c |
| 200380c | 11614 | " Set Screw |
| *225443 | — | Spindle |
| 225452 | 10882 | " 225443 with 225451 |
| 225444 | 10882 | Stop Latch |
| 200056E | 10882 | " " Screw |
| 225458 | 10882 | " " Thumb Lever |
| 225459 | 10882 | " " " " Hinge Stud |
| 225460 | 10882 | " " " " Joint Stud |
| 202478 | 10882 | " " Trip Lever |
| 200299n | 10882 | " " " " Hinge Screw |

No. Plate Name

THREAD UNWINDER

For Four Large Spools or Four Large Cones of Thread.

| | | |
|-------|-------|--|
| 27623 | 13518 | Spool Pin |
| 155c | 13513 | " " Set Screw |
| 41534 | 13518 | " Rest |
| 41535 | — | " " 41534 with 1149c, four each 155c and 27623 |
| 1149c | 13513 | Spool Rest Set Screw |
| 27940 | 13518 | " Stand with 453c |
| 27739 | 13518 | Thread Cone (wood) |
| 41633 | 13518 | " Guard with 208E and four 41569 |
| 41569 | 13518 | Thread Guard Eyelet |
| 41637 | 13518 | " " Rod (lower) |
| 41638 | 13518 | " " " (upper) |
| 41639 | 13518 | " " " Coupling with two 456c |
| 456c | 13513 | Thread Guard Rod Coupling Set Screw |
| 41640 | — | Thread Guard Rod complete, 30 in. long, Nos. 41637 to 41639 |
| 453c | 13513 | Thread Guard Rod Set Screw |
| 208E | 13513 | " " Screw |
| 60685 | 13518 | Thread Unwinder complete, for four large spools or four large cones of thread, Nos. 27940, 41535, 41633, 41640, three wood screws 1 in., No. 12 and four 27739 |

FOR MACHINE No. 131w104.

Same as for No. 131w103 with the following exceptions:

| | | |
|---------|---|--|
| 141 x 1 | — | Needles, twenty-four, size 16, in place of eighteen, size 16 |
|---------|---|--|

THREAD UNWINDER

For Five Large Spools or Five Large Cones of Thread.

| | | |
|--------|-------|--|
| 27623 | 13518 | Spool Pin |
| 202486 | 13513 | " " |
| 155c | 13513 | " " Set Screw |
| 41534 | 13518 | " Rest |
| 227498 | 13523 | " " |
| 41535 | — | " " 41534 with 1149c, four each 155c and 27623 |

| No. | Plate | Name |
|---------|-------|---|
| 225461 | 10881 | Tension Bracket with 201499B ... |
| 200082D | 10881 | " " Screw |
| 202104 | 10881 | " " " Washer |
| 2102 | 10880 | " Disc |
| 202407 | 10881 | " Spring |
| 201499B | 10881 | " Stud |
| 201572B | 10881 | " " Thumb Nut |
| 225462 | 10881 | Bobbin Winder Tension Bracket complete, Nos. 201572B, 202407, 225461 and two 2102 |
| 225463 | 10883 | Bobbin Winder and Tension Bracket Base |
| 225436 | 10883 | Universal Bobbin Winder complete, Nos. 200056E, 200082D, 200299H, 202104, 202473, 202478, 225444, 225452 to 225456, 225458 to 225460, 225462, 225463 and two round head wood screws 1 in., No. 13 |

KNEE LIFTER

| | | |
|---------|-------|---|
| 202450 | 13213 | Knee Lifter Rock Lever with 200522c and 200529c |
| 202185 | — | Knee Lifter Rock Lever 202450 with two each 202451 and 202452 |
| 223763 | 13213 | Knee Lifter Rock Lever 202185 with 202203 and 227784 |
| 202453 | 13213 | Knee Lifter Rock Lever Knee Plate with 200526c |
| 202203 | — | Knee Lifter Rock Lever Knee Plate 202453 with 202454 |
| 202454 | 13213 | Knee Lifter Rock Lever Knee Plate Arm (long) |
| 200522c | 13513 | Knee Lifter Rock Lever Knee Plate Arm Set Screw |
| 200526c | 13513 | Knee Lifter Rock Lever Knee Plate Set Screw |
| 202451 | 13213 | Knee Lifter Rock Lever Lug with two wood screws $\frac{3}{4}$ in., No. 13H .. |
| 202452 | 13513 | Knee Lifter Rock Lever Lug Hinge Pin |
| 227784 | 13213 | Knee Lifter Rock Lever Rod, 3 in. long, with 227785 |
| *227785 | — | Knee Lifter Rock Lever Rod Cap or Oil Guard |
| 200529c | 13513 | Knee Lifter Rock Lever Rod Set Screw |

(Other Knee Lifter Parts are listed with parts of machine head).

| No. | Plate | Name |
|---------|-------|---|
| 227499 | — | Spool Rest 227498 with 200363c and 202486 |
| 1149c | 13513 | Spool Rest Set Screw |
| 27940 | 13518 | " Stand with 453c |
| 27739 | 13518 | Thread Cone (wood) |
| 227605 | 13523 | " Eyelet Rod |
| 227606 | 13523 | " " " Clamp with two 200396c |
| 200396c | 13505 | Thread Eyelet Rod Clamp Set Screw |
| 200363c | 13513 | Thread Eyelet Rod Set Screw |
| 41633 | 13518 | " Guard with 208E and four 41569 |
| 41569 | 13518 | Thread Guard Eyelet |
| 41637 | 13518 | " " Rod (lower) |
| 41638 | 13518 | " " " (upper) |
| 41639 | 13518 | " " " Coupling with two 456c |
| 456c | 13513 | Thread Guard Rod Coupling Set Screw |
| 41640 | — | Thread Guard Rod complete, 30 in. long, Nos. 41637 to 41639 |
| 453c | 13513 | Thread Guard Rod Set Screw |
| 208E | 13513 | " " Screw |
| 227775 | 13523 | Thread Unwinder complete, for five large spools or five large cones of thread, Nos. 27940, 41535, 41633, 41640, 227499, 227605, 227606, three wood screws 1 in., No. 12 and four 27739 |

ATTACHMENT SLIDE PLATES

| | | |
|--------|-------|---|
| 236064 | 13501 | Attachment Slide Plate with 213479 and 236061 |
| 236065 | 13501 | Attachment Slide Plate with 213479 and 236061, for use with depressed Throat Plates |

BED SLIDES

FOR MACHINE No. 131w103.

| No. | Plate | Name |
|--------|-------|---|
| 235813 | 13514 | Bed Slide (back) with 213479 and 236061 |
| 235811 | 13514 | Bed Slide (front) with 213479 and 236061, for use with Throat Plates in gauges from $\frac{1}{16}$ to $\frac{1}{2}$ in., each side of center needle .. |
| 236062 | --- | Bed Slide (front) with 213479 and 236061, for use with Throat Plates in gauges from $\frac{1}{16}$ to $\frac{1}{4}$ in., each side of center needle .. |
| 236063 | --- | Bed Slide (front) with 213479 and 236061, for use with Throat Plates in gauges from $\frac{3}{16}$ to $1\frac{1}{4}$ in., each side of center needle .. |

FOR MACHINE No. 131w104.

| | | |
|--------|-------|---|
| 236341 | 13519 | Bed Slide (back) with 213479 and 236061, for use with Throat Plates with $\frac{1}{4}$ in. inside gauge and center gauge from $\frac{1}{4}$ to $\frac{1}{4}$ inch |
| 236353 | --- | Bed Slide (back) with 213479 and 236061, for use with Throat Plates with $\frac{1}{4}$ in. inside gauge and center gauge from $\frac{3}{4}$ to $1\frac{1}{4}$ inch |
| 236357 | --- | Bed Slide (back) with 213479 and 236061, for use with Throat Plates with $\frac{1}{4}$ in. inside gauge and center gauge from $1\frac{1}{4}$ to $1\frac{1}{4}$ inch |
| 236343 | --- | Bed Slide (back) with 213479 and 236061, for use with Throat Plates with $\frac{3}{16}$ in. inside gauge and center gauge from $\frac{1}{4}$ to $\frac{1}{4}$ inch |
| 236359 | --- | Bed Slide (back) with 213479 and 236061, for use with Throat Plates with $\frac{1}{16}$ in. inside gauge and center gauge from $\frac{1}{4}$ to $\frac{1}{4}$ inch |

| No. | Plate | Name |
|--------|-------|---|
| 236345 | --- | Bed Slide (back) with 213479 and 236061, for use with Throat Plates with $\frac{1}{16}$ in. inside gauge and center gauge from $\frac{1}{4}$ to $\frac{1}{4}$ inch |
| 236355 | --- | Bed Slide (back) with 213479 and 236061, for use with Throat Plates with $\frac{1}{4}$ in. inside gauge and center gauge from $\frac{1}{4}$ to $\frac{1}{4}$ inch |
| 236151 | --- | Bed Slide (back) with 213479 and 236061, for use with Throat Plates with $\frac{3}{16}$ in. inside gauge and center gauge from $\frac{1}{4}$ to $\frac{1}{4}$ inch |
| 236347 | --- | Bed Slide (back) with 213479 and 236061, for use with Throat Plates with $\frac{3}{16}$ in. inside gauge and center gauge from $\frac{1}{4}$ to $\frac{1}{4}$ inch |
| 236349 | --- | Bed Slide (back) with 213479 and 236061, for use with Throat Plates with $\frac{1}{16}$ in. inside gauge and center gauge from $\frac{1}{4}$ to $\frac{1}{4}$ inch |
| 236351 | --- | Bed Slide (back) with 213479 and 236061, for use with Throat Plates with $\frac{1}{16}$ in. inside gauge and center gauge from $\frac{1}{4}$ to $\frac{1}{4}$ inch |
| 236147 | --- | Bed Slide (back) with 213479 and 236061, for use with Throat Plates with $\frac{1}{2}$ in. inside gauge and center gauge from $\frac{1}{4}$ to $\frac{1}{4}$ inch |
| 236342 | 13519 | Bed Slide (front) with 213479 and 236061, for use with Throat Plates with $\frac{1}{4}$ in. outside gauge and center gauge from $\frac{1}{4}$ to $\frac{1}{4}$ inch |
| 236354 | --- | Bed Slide (front) with 213479 and 236061, for use with Throat Plates with $\frac{1}{4}$ in. outside gauge and center gauge from $\frac{3}{4}$ to $1\frac{1}{4}$ inch |
| 236358 | --- | Bed Slide (front) with 213479 and 236061, for use with Throat Plates with $\frac{1}{4}$ in. outside gauge and center gauge from $1\frac{1}{4}$ to $1\frac{1}{4}$ inch |

| No. | Plate | Name |
|--------|-------|---|
| 236344 | — | Bed Slide (front) with 213479 and 236061, for use with Throat Plates with $\frac{3}{8}$ in. outside gauge and center gauge from $\frac{1}{4}$ to $\frac{11}{16}$ inch |
| 236360 | — | Bed Slide (front) with 213479 and 236061, for use with Throat Plates with $\frac{5}{16}$ in. outside gauge and center gauge from $\frac{1}{4}$ to $\frac{11}{16}$ inch |
| 236346 | — | Bed Slide (front) with 213479 and 236061, for use with Throat Plates with $\frac{11}{16}$ in. outside gauge and center gauge from $\frac{1}{4}$ to $\frac{11}{16}$ inch |
| 236356 | — | Bed Slide (front) with 213479 and 236061, for use with Throat Plates with $\frac{3}{8}$ in. outside gauge and center gauge from $\frac{1}{4}$ to $\frac{11}{16}$ inch |
| 236152 | — | Bed Slide (front) with 213479 and 236061, for use with Throat Plates with $\frac{11}{16}$ in. outside gauge and center gauge from $\frac{1}{4}$ to $\frac{11}{16}$ inch |
| 236348 | — | Bed Slide (front) with 213479 and 236061, for use with Throat Plates with $\frac{11}{16}$ in. outside gauge and center gauge from $\frac{1}{4}$ to $\frac{11}{16}$ inch |
| 236350 | — | Bed Slide (front) with 213479 and 236061, for use with Throat Plates with $\frac{7}{16}$ in. outside gauge and center gauge from $\frac{1}{4}$ to $\frac{11}{16}$ inch |
| 236352 | — | Bed Slide (front) with 213479 and 236061, for use with Throat Plates with $\frac{11}{16}$ in. outside gauge and center gauge from $\frac{1}{4}$ to $\frac{11}{16}$ inch |
| 236148 | — | Bed Slide (front) with 213479 and 236061, for use with Throat Plates with $\frac{1}{2}$ in. outside gauge and center gauge from $\frac{1}{4}$ to $\frac{11}{16}$ inch |

FEED DOGS

FOR MACHINE No. 131w103.

| No. | Plate | Name |
|--------|-------|----------------------------|
| 235829 | — | Feed Dog, for 236020 |
| 235826 | — | " " " 236017 |
| 235822 | 13515 | " " " 236013 |
| 235823 | — | " " " 236014 |
| 235821 | — | " " " 236012 |
| 235818 | — | " " " 236009 |
| 235819 | 13516 | " " " 236010 |
| 235828 | — | " " " 236019 |
| 235817 | — | " " " 236008 |
| 235820 | — | " " " 236011 |
| 235827 | — | " " " 236018 |
| 235825 | — | " " " 236016 |
| 235824 | — | " " " 236015 |

FOR MACHINE No. 131w104.

| | | |
|--------|-------|----------------------------|
| 236169 | 13520 | Feed Dog, for 236263 |
| 236166 | — | " " " 236260 |
| 236156 | — | " " " 236247 |
| 236168 | 13521 | " " " 236262 |
| 236158 | — | " " " 236249 |
| 236173 | — | " " " 236267 |
| 236175 | — | " " " 236269 |
| 236161 | — | " " " 236253 |
| 236171 | — | " " " 236265 |
| 236170 | — | " " " 236264 |
| 236174 | — | " " " 236268 |
| 236288 | — | " " " 236275 |
| 236167 | — | " " " 236261 |
| 236178 | — | " " " 236272 |
| 236172 | — | " " " 236266 |
| 236160 | — | " " " 236251 and 236252 .. |
| 236155 | — | " " " 236246 |
| 236177 | — | " " " 236271 |
| 236163 | — | " " " 236255 |
| 236162 | — | " " " 236254 |
| 236159 | — | " " " 236250 |
| 236165 | — | " " " 236257 to 236259 .. |
| 236176 | — | " " " 236270 |
| 236179 | — | " " " 236273 |
| 236164 | — | " " " 236256 |
| 236154 | — | " " " 236274 |
| 236289 | — | " " " 236276 |

NEEDLE HOLDERS

FOR MACHINE No. 131w103.

| No. | Plate | Name |
|--------|-------|---|
| 235880 | — | Needle Holder, in $1\frac{1}{2}$ in. gauge with 201030F and three 201350F. |
| 235878 | — | Needle Holder, in $1\frac{1}{4}$ in. gauge, with 201030F and three 201350F. |
| 235875 | 13515 | Needle Holder, in gauges from $\frac{3}{8}$ to $\frac{11}{16}$ in. (each side of center needle), with 201030F and three 201350F. |
| 235876 | — | Needle Holder, in gauges from $\frac{3}{8}$ to $\frac{11}{16}$ in. (each side of center needle), with 201030F and three 201350F. |
| 235879 | — | Needle Holder, in $\frac{3}{8}$ in. gauge with 201030F and three 201350F. |
| 235877 | — | Needle Holder, in gauges from $\frac{11}{16}$ to $1\frac{1}{4}$ in. (each side of center needle), with 201030F and three 201350F. |

FOR MACHINE No. 131w104.

| | | |
|--------|-------|---|
| 236364 | 13521 | Needle Holder, in $1\frac{1}{4}$ in. gauge, with 201030F, two each 236374, 236376, four each 200165H and 201350F. |
| 236366 | — | Needle Holder, in $1\frac{1}{4}$ in. gauge, with 201030F, two each 236374, 236376, four each 200165H and 201350F. |
| 236365 | — | Needle Holder, in $1\frac{1}{2}$ in. gauge, with 201030F, two each 236374, 236376, four each 200165H and 201350F. |
| 236368 | 13521 | Needle Holder, in $1\frac{1}{2}$ in. gauge, with 201030F, two each 236374, 236376, four each 200165H and 201350F. |
| 236185 | — | Needle Holder, in $\frac{3}{8}$ in. gauge, with 201030F, two each 236374, 236376, four each 200165H and 201350F. |

| No. | Plate | Name |
|--------|-------|--|
| 236372 | — | Needle Holder, in $\frac{3}{8}$ in. gauge, with 201030F, two each 236374, 236376, four each 200165H and 201350F. |
| 236398 | — | Needle Holder, in $\frac{3}{8}$ in. gauge, with 201030F, two each 236374, 236376, four each 200165H and 201350F. |
| 236186 | — | Needle Holder, in $\frac{11}{16}$ in. gauge, with 201030F, two each 236374, 236376, four each 200165H and 201350F. |
| 236371 | — | Needle Holder, in $\frac{3}{8}$ in. gauge, with 201030F, two each 236374, 236376, four each 200165H and 201350F. |
| 236369 | — | Needle Holder, in $\frac{3}{8}$ in. gauge, with 201030F, two each 236374, 236376, four each 200165H and 201350F. |
| 236378 | — | Needle Holder, in $\frac{3}{8}$ in. gauge, with 201030F, two each 236374, 236376, four each 200165H and 201350F. |
| 236367 | — | Needle Holder, in $\frac{3}{8}$ in. gauge, with 201030F, two each 236374, 236376, four each 200165H and 201350F. |
| 236375 | — | Needle Holder, in $\frac{3}{8}$ in. gauge, with 201030F, two each 236374, 236376, four each 200165H and 201350F. |
| 236370 | — | Needle Holder, in $\frac{3}{8}$ in. gauge, with 201030F, two each 236374, 236376, four each 200165H and 201350F. |
| 236187 | — | Needle Holder, in $\frac{3}{8}$ in. gauge, with 201030F, two each 236374, 236376, four each 200165H and 201350F. |
| 236182 | — | Needle Holder, in $\frac{11}{16}$ in. gauge, with 201030F, two each 236374, 236376, four each 200165H and 201350F. |
| 236373 | — | Needle Holder, in $\frac{3}{8}$ in. gauge, with 201030F, two each 236374, 236376, four each 200165H and 201350F. |

| No. | Plate | Name |
|--------|-------|---|
| 236188 | ---- | Needle Holder, in $\frac{13}{16}$ in. gauge, with 201030F, two each 236374, 236376, four each 200165H and 201350F |
| 236191 | ---- | Needle Holder, in $\frac{11}{16}$ in. gauge, with 201030F, two each 236374, 236376, four each 200165H and 201350F |
| 236192 | ---- | Needle Holder, in $\frac{9}{16}$ in. gauge, with 201030F, two each 236374, 236376, four each 200165H and 201350F |
| 236361 | ---- | Needle Holder, in $\frac{7}{16}$ in. gauge, with 201030F, two each 236374, 236376, four each 200165H and 201350F |
| 236362 | ---- | Needle Holder, in $\frac{5}{16}$ in. gauge, with 201030F, two each 236374, 236376, four each 200165H and 201350F |
| 236363 | ---- | Needle Holder, in $\frac{3}{16}$ in. gauge, with 201030F, two each 236374, 236376, four each 200165H and 201350F |
| 236189 | ---- | Needle Holder, in $\frac{1}{16}$ in. gauge, with 201030F, two each 236374, 236376, four each 200165H and 201350F |
| 236399 | ---- | Needle Holder, in $\frac{1}{16}$ in. gauge, with 201030F, two each 236374, 236376, four each 200165H and 201350F |
| 236377 | ---- | Needle Holder, in $\frac{1}{16}$ in. gauge, with 201030F, two each 236374, 236376, four each 200165H and 201350F |
| 236190 | ---- | Needle Holder, in $\frac{1}{16}$ in. gauge, with 201030F, two each 236374, 236376, four each 200165H and 201350F |
| 236380 | ---- | Needle Holder, in $\frac{1}{16}$ in. gauge, with 201030F, two each 236374, 236376, four each 200165H and 201350F |
| 236379 | ---- | Needle Holder, in $\frac{1}{16}$ in. gauge, with 201030F, two each 236374, 236376, four each 200165H and 201350F |

PRESSER FEET

FOR MACHINE No. 131w103.

| No. | Plate | Name |
|--------------------------|-------|--|
| 235922 | 13517 | Presser Foot, 40 needle hole, in $\frac{1}{4}$ in. gauge |
| 235921 | 13517 | Presser Foot (hinged) complete, 40 needle hole, in gauges from $\frac{1}{8}$ to $\frac{1}{4}$ in. (each side of center needle), Nos. 230795, 235911 and 235920 |
| 235914 | ---- | Presser Foot (hinged) complete, 40 needle hole, in gauges from $\frac{1}{8}$ to $\frac{1}{2}$ in. (each side of center needle), Nos. 230795, 235911 and 235913 .. |
| 235916 | ---- | Presser Foot (hinged) complete, 40 needle hole, in gauges from $\frac{1}{8}$ to $\frac{1}{2}$ in. (each side of center needle), Nos. 230795, 235911 and 235915 .. |
| 235918 | 13517 | Presser Foot (hinged) complete, 40 needle hole, in gauges from $\frac{1}{8}$ to $\frac{1}{2}$ in. (each side of center needle), Nos. 230795, 235911 and 235917, for strip work |
| 235919 | 13517 | Presser Foot, 40 needle hole, in gauges from $\frac{1}{8}$ to $\frac{1}{2}$ in. (each side of center needle) |
| 235924 | ---- | Presser Foot (hinged) complete, 40 needle hole, in gauges from $\frac{1}{8}$ to $\frac{1}{2}$ in. (each side of center needle), Nos. 230795, 235911 and 235923 .. |
| 230795 | 13509 | Presser Foot Hinge Pin |
| 235913 | ---- | " " Plate, for 235914 |
| 235915 | ---- | " " " " 235916 |
| 235917 | ---- | " " " " 235918 |
| 235920 | ---- | " " " " 235921 |
| 235923 | ---- | " " " " 235924 |
| 235911 | ---- | " " Shank |
| FOR MACHINE No. 131w104. | | |
| 206335 | 13522 | Presser Foot Hinge Pin, for 236208, 236218 and 236226 |
| 236193 | 13522 | Presser Foot Hinge Pin, for 236212, 236301, 236323, 236337, 236339 and 236400 |
| 236199 | 13522 | Presser Foot Hinge Pin, for 236216 |
| 236320 | 13522 | " " " " " 236214 |

Presser Feet

| No. | Plate | Name |
|--------|-------|--|
| 236321 | 13522 | Presser Foot Hinge Pin |
| 236207 | ----- | " " Plate, for 236208 ... |
| 236209 | ----- | " " " " 236210 ... |
| 236211 | ----- | " " " " 236212 ... |
| 236213 | ----- | " " " " 236214 ... |
| 236215 | ----- | " " " " 236216 ... |
| 236217 | ----- | " " " " 236218 ... |
| 236219 | ----- | " " " " 236220 ... |
| 236221 | ----- | " " " " 236222 ... |
| 236223 | ----- | " " " " 236224 ... |
| 236225 | ----- | " " " " 236226 ... |
| 236227 | ----- | " " " " 236228 ... |
| 236229 | ----- | " " " " 236230 ... |
| 236231 | ----- | " " " " 236232 ... |
| 236233 | ----- | " " " " 236234 ... |
| 236235 | ----- | " " " " 236236 ... |
| 236237 | ----- | " " " " 236301 ... |
| 236302 | ----- | " " " " 236303 ... |
| 236304 | ----- | " " " " 236305 ... |
| 236306 | ----- | " " " " 236307 ... |
| 236308 | ----- | " " " " 236309 ... |
| 236310 | ----- | " " " " 236311 ... |
| 236312 | ----- | " " " " 236313 ... |
| 236314 | ----- | " " " " 236315 ... |
| 236316 | ----- | " " " " 236317 ... |
| 236318 | ----- | " " " " 236319 ... |
| 236322 | ----- | " " " " 236323 ... |
| 236324 | ----- | " " " " 236325 ... |
| 236326 | ----- | " " " " 236327 ... |
| 236328 | ----- | " " " " 236329 ... |
| 236330 | ----- | " " " " 236331 ... |
| 236332 | ----- | " " " " 236333 ... |
| 236334 | ----- | " " " " 236335 ... |
| 236336 | ----- | " " " " 236337 ... |
| 236338 | ----- | " " " " 236339 ... |
| 236340 | ----- | " " " " 236400 ... |
| 236200 | ----- | " " Shank, in $\frac{1}{4}$ in. gauge (between center needles), for 236208 |
| 236201 | ----- | Presser Foot Shank, in gauges from $\frac{2}{32}$ to $\frac{1}{16}$ in. (between center needles) |
| 236202 | ----- | Presser Foot Shank, in gauges from $\frac{1}{32}$ to $\frac{3}{32}$ in. (between center needles), for 236212, 236301 and 236400 |
| 236203 | ----- | Presser Foot Shank, in gauges from $\frac{1}{16}$ to $\frac{1}{4}$ in. (between center needles), for 236214 |

Presser Feet

| No. | Plate | Name |
|--------|-------|--|
| 236327 | ----- | Presser Foot (hinged) complete, 40 needle hole, in $\frac{3}{16}$ in. gauge, Nos. 236201, 236321 and 236326 ... |
| 236339 | ----- | Presser Foot (hinged) complete, 40 needle hole, in $\frac{3}{16}$ in. gauge, Nos. 236193, 236201 and 236338 ... |
| 236317 | ----- | Presser Foot (hinged) complete, 40 needle hole, in $\frac{3}{16}$ in. gauge, Nos. 236201, 236316 and 236321 ... |
| 236335 | ----- | Presser Foot (hinged) complete, 40 needle hole, in $\frac{3}{16}$ in. gauge, Nos. 236201, 236321 and 236334 ... |
| 236323 | ----- | Presser Foot (hinged) complete, 40 needle hole, in $\frac{3}{16}$ in. gauge, Nos. 236193, 236202 and 236322 ... |
| 236232 | ----- | Presser Foot (hinged) complete, 40 needle hole, in $\frac{3}{16}$ in. gauge, Nos. 236201, 236231 and 236321 ... |
| 236222 | ----- | Presser Foot (hinged) complete, 40 needle hole, in $\frac{3}{16}$ in. gauge, Nos. 236201, 236221 and 236321 ... |
| 236224 | ----- | Presser Foot (hinged) complete, 40 needle hole, in $\frac{3}{16}$ in. gauge, Nos. 236201, 236223 and 236321, for strip work |
| 236333 | ----- | Presser Foot (hinged) complete, 40 needle hole, in $\frac{3}{16}$ in. gauge, Nos. 236201, 236321 and 236332 ... |
| 236234 | ----- | Presser Foot (hinged) complete, 40 needle hole, in $\frac{3}{16}$ in. gauge, Nos. 236201, 236233 and 236321 ... |
| 236313 | ----- | Presser Foot (hinged) complete, 40 needle hole, in $\frac{3}{16}$ in. gauge, Nos. 236201, 236312 and 236321, for strip work |
| 236303 | ----- | Presser Foot (hinged) complete, 40 needle hole, in $\frac{3}{16}$ in. gauge, Nos. 236201, 236302 and 236321 ... |
| 236305 | ----- | Presser Foot (hinged) complete, 40 needle hole, in $\frac{3}{16}$ in. gauge, Nos. 236201, 236304 and 236321 ... |
| 236329 | ----- | Presser Foot (hinged) complete, 40 needle hole, in $\frac{3}{16}$ in. gauge, Nos. 236201, 236321 and 236328 ... |
| 236307 | ----- | Presser Foot (hinged) complete, 40 needle hole, in $\frac{3}{16}$ in. gauge, Nos. 236201, 236306 and 236321 ... |
| 236309 | ----- | Presser Foot (hinged) complete, 40 needle hole, in $\frac{3}{16}$ in. gauge, Nos. 236201, 236308 and 236321 ... |

| No. | Plate | Name |
|--------|-------|--|
| 236204 | — | Presser Foot Shank, in gauges from $\frac{3}{8}$ to $\frac{1}{2}$ in. (between center needles), for 236216 |
| 236205 | — | Presser Foot Shank, in gauges from 1 to $1\frac{1}{2}$ in. (between center needles), for 236218 and 236226.. |
| 236206 | — | Presser Foot Shank, in gauges from $1\frac{1}{8}$ to 2 $\frac{1}{4}$ in. (between center needles), for 236220 and 236319.. |
| 236208 | 13522 | Presser Foot (hinged) complete, 40 needle hole, in $\frac{3}{4}$ - $\frac{3}{4}$ - $\frac{3}{4}$ in. gauge, Nos. 206335, 236200 and 236207 .. |
| 236210 | — | Presser Foot (hinged) complete, 40 needle hole, in $\frac{3}{4}$ - $\frac{3}{4}$ - $\frac{3}{4}$ in. gauge, Nos. 236201, 236209 and 236321 .. |
| 236212 | — | Presser Foot (hinged) complete, 40 needle hole, in $\frac{3}{4}$ - $\frac{3}{4}$ - $\frac{3}{4}$ in. gauge, Nos. 236193, 236202 and 236211 .. |
| 236214 | — | Presser Foot (hinged) complete, 40 needle hole, in $\frac{3}{4}$ - $\frac{3}{4}$ - $\frac{3}{4}$ in. gauge, Nos. 236203, 236213 and 236320 .. |
| 236216 | — | Presser Foot (hinged) complete, 40 needle hole, in $\frac{3}{4}$ - $\frac{3}{4}$ - $\frac{3}{4}$ in. gauge, Nos. 236199, 236204 and 236215 .. |
| 236218 | — | Presser Foot (hinged) complete, 40 needle hole, in $\frac{3}{4}$ -1- $\frac{3}{4}$ in. gauge, Nos. 206335, 236205 and 236217 .. |
| 236226 | — | Presser Foot (hinged) complete, 40 needle hole, in $\frac{3}{4}$ - $1\frac{1}{4}$ - $\frac{3}{4}$ in. gauge, Nos. 206335, 236205 and 236225 .. |
| 236220 | — | Presser Foot (hinged) complete, 40 needle hole, in $\frac{3}{4}$ -1- $\frac{3}{4}$ in. gauge, Nos. 236206, 236219 and 236321 .. |
| 236319 | 13522 | Presser Foot (hinged) complete, 40 needle hole, in $\frac{3}{4}$ - $1\frac{1}{2}$ - $\frac{3}{4}$ in. gauge, Nos. 236206, 236318 and 236321 .. |
| 236228 | — | Presser Foot (hinged) complete, 40 needle hole, in $\frac{3}{2}$ - $\frac{3}{2}$ - $\frac{3}{2}$ in. gauge, Nos. 236201, 236227 and 236321 .. |
| 236331 | — | Presser Foot (hinged) complete, 40 needle hole, in $\frac{5}{8}$ - $\frac{5}{8}$ - $\frac{5}{8}$ in. gauge, Nos. 236201, 236321 and 236330 .. |
| 236230 | — | Presser Foot (hinged) complete, 40 needle hole, in $\frac{1}{2}$ - $\frac{1}{2}$ - $\frac{1}{2}$ in. gauge, Nos. 236201, 236229 and 236321 .. |
| 236325 | — | Presser Foot (hinged) complete, 40 needle hole, in $\frac{3}{8}$ - $\frac{3}{8}$ - $\frac{3}{8}$ in. gauge, Nos. 236201, 236321 and 236324 .. |

| No. | Plate | Name |
|--------|-------|---|
| 236315 | — | Presser Foot (hinged) complete, 40 needle hole, in $\frac{5}{8}$ - $\frac{11}{8}$ - $\frac{5}{8}$ in. gauge, Nos. 236201, 236314 and 236321, for strip work |
| 236311 | — | Presser Foot (hinged) complete, 40 needle hole, in $\frac{5}{8}$ - $\frac{3}{4}$ - $\frac{5}{8}$ in. gauge, Nos. 236201, 236310 and 236321 .. |
| 236236 | — | Presser Foot (hinged) complete, 40 needle hole, in $\frac{5}{8}$ - $\frac{3}{4}$ - $\frac{5}{8}$ in. gauge, Nos. 236201, 236235 and 236321 .. |
| 236337 | — | Presser Foot (hinged) complete, 40 needle hole, in $\frac{5}{8}$ - $\frac{5}{8}$ - $\frac{5}{8}$ in. gauge, Nos. 236193, 236201 and 236336 .. |
| 236301 | — | Presser Foot (hinged) complete, 40 needle hole, in $\frac{3}{8}$ - $\frac{3}{8}$ - $\frac{3}{8}$ in. gauge, Nos. 236193, 236202 and 236237 .. |
| 236400 | — | Presser Foot (hinged) complete, 40 needle hole, in $\frac{3}{8}$ - $\frac{3}{8}$ - $\frac{3}{8}$ in. gauge, Nos. 236193, 236202 and 236340 .. |

THROAT PLATES

FOR MACHINE No. 131w103.

| No. | Plate | Name |
|--------|-------|--|
| 236020 | — | Throat Plate, 46 needle hole, for needle sizes 16 and 18, in $\frac{1}{4}$ - $\frac{3}{8}$ in. gauge, for 235829 |
| 236017 | — | Throat Plate, 46 needle hole, for needle sizes 16 and 18, in gauges from $\frac{1}{4}$ to $\frac{1}{2}$ in. (each side of center needle), for 235826, for strip work |
| 236013 | 13515 | Throat Plate, 46 needle hole, for needle sizes 16 and 18, in gauges from $\frac{1}{4}$ to $\frac{1}{2}$ in. (each side of center needle), for 235822 |
| 236014 | — | Throat Plate, 46 needle hole, for needle sizes 16 and 18, in $\frac{1}{4}$ - $1\frac{1}{8}$ in. gauge, for 235823 |
| 236012 | — | Throat Plate, 46 needle hole, for needle sizes 16 and 18, in gauges from $\frac{1}{8}$ to $\frac{1}{2}$ in. (each side of center needle), for 235821 |
| 236009 | — | Throat Plate, 46 needle hole, for needle sizes 16 and 18, in gauges from $\frac{1}{8}$ to $\frac{3}{8}$ in. (each side of center needle), for 235818 |
| 236010 | 13516 | Throat Plate, 46 needle hole, for needle sizes 16 and 18, in gauges from $\frac{1}{8}$ to $\frac{3}{8}$ in. (each side of center needle), for 235819, for strip work |
| 236019 | — | Throat Plate, 46 needle hole, for needle sizes 16 and 18, in $\frac{3}{8}$ - $\frac{1}{2}$ in. gauge, for 235828 |
| 236008 | — | Throat Plate, 46 needle hole, for needle sizes 16 and 18, in gauges from $\frac{3}{8}$ to $\frac{7}{8}$ in. (each side of center needle), for 235817 |
| 236011 | — | Throat Plate, 46 needle hole, for needle sizes 16 and 18, in gauges from $\frac{3}{8}$ to $\frac{1}{2}$ in. (each side of center needle), for 235820, for strip work |

| No. | Plate | Name |
|--------|-------|--|
| 236018 | — | Throat Plate, 46 needle hole, for needle sizes 16 and 18, in gauges from $\frac{3}{8}$ to $\frac{1}{2}$ in. (each side of center needle), for 235827, for strip work |
| 236016 | — | Throat Plate, 46 needle hole, for needle sizes 16 and 18, in gauges from $\frac{3}{8}$ to $\frac{1}{2}$ in. (each side of center needle), for 235825 |
| 236015 | — | Throat Plate, 46 needle hole, for needle sizes 16 and 18, in gauges from $\frac{3}{8}$ to $\frac{1}{2}$ in. (each side of center needle), for 235824 |

FOR MACHINE No. 131w104.

| | | |
|--------|-------|---|
| 236263 | 13520 | Throat Plate, 46 needle hole, for needle sizes 16 and 18, in $\frac{1}{4}$ - $\frac{1}{2}$ in. gauge, for 236169 |
| 236260 | — | Throat Plate, 46 needle hole, for needle sizes 16 and 18, in $\frac{1}{4}$ - $1\frac{1}{8}$ in. gauge, for 236166 |
| 236247 | — | Throat Plate, 46 needle hole, for needle sizes 16 and 18, in $\frac{1}{4}$ - $1\frac{1}{8}$ in. gauge, for 236156 |
| 236262 | 13519 | Throat Plate, 46 needle hole, for needle sizes 16 and 18, in $\frac{1}{4}$ - $1\frac{1}{8}$ in. gauge, for 236168 |
| 236249 | — | Throat Plate, 46 needle hole, for needle sizes 16 and 18, in $\frac{3}{8}$ - $\frac{3}{8}$ - $\frac{3}{8}$ in. gauge, for 236158 |
| 236267 | — | Throat Plate, 46 needle hole, for needle sizes 16 and 18, in $\frac{3}{8}$ - $1\frac{1}{8}$ - $\frac{3}{8}$ in. gauge, for 236173 |
| 236269 | — | Throat Plate, 46 needle hole, for needle sizes 16 and 18, in $\frac{5}{8}$ - $\frac{5}{8}$ - $\frac{5}{8}$ in. gauge, for 236175 |
| 236253 | — | Throat Plate, 46 needle hole, for needle sizes 16 and 18, in $\frac{1}{2}$ - $\frac{1}{2}$ - $\frac{1}{2}$ in. gauge, for 236161 |
| 236265 | — | Throat Plate, 46 needle hole, for needle sizes 16 and 18, in $\frac{3}{8}$ - $\frac{3}{8}$ - $\frac{3}{8}$ in. gauge, for 236171 |
| 236264 | — | Throat Plate, 46 needle hole, for needle sizes 16 and 18, in $\frac{3}{8}$ - $\frac{5}{8}$ - $\frac{3}{8}$ in. gauge, for 236170 |
| 236268 | — | Throat Plate, 46 needle hole, for needle sizes 16 and 18, in $\frac{3}{8}$ - $\frac{5}{8}$ - $\frac{7}{8}$ in. gauge, for 236174 |

Throat Plates

| No. | Plate | Name |
|--------|-------|--|
| 236275 | — | Throat Plate, 46 needle hole, for needle sizes 16 and 18, in $\frac{3}{16}$ — $\frac{11}{32}$ — $\frac{3}{8}$ in. gauge, for 236288 |
| 236261 | — | Throat Plate, 46 needle hole, for needle sizes 16 and 18, in $\frac{3}{8}$ — $\frac{3}{4}$ in. gauge, for 236167 |
| 236272 | — | Throat Plate, 46 needle hole, for needle sizes 16 and 18, in $\frac{3}{16}$ — $\frac{3}{8}$ in. gauge, for 236178 |
| 236266 | — | Throat Plate, 46 needle hole, for needle sizes 16 and 18, in $\frac{3}{8}$ — $\frac{11}{32}$ — $\frac{1}{2}$ in. gauge, for 236172 |
| 236251 | — | Throat Plate, 46 needle hole, for needle sizes 16 and 18, in $\frac{11}{32}$ — $\frac{1}{2}$ — $\frac{11}{16}$ in. gauge, for 236160 |
| 236246 | — | Throat Plate, 46 needle hole, for needle sizes 16 and 18, in $\frac{11}{32}$ — $\frac{11}{16}$ — $\frac{1}{2}$ in. gauge, for 236155 |
| 236271 | — | Throat Plate, 46 needle hole, for needle sizes 16 and 18, in $\frac{11}{32}$ — $\frac{3}{8}$ — $\frac{11}{16}$ in. gauge, for 236177 |
| 236255 | — | Throat Plate, 46 needle hole, for needle sizes 16 and 18, in $\frac{11}{32}$ — $\frac{11}{16}$ — $\frac{1}{2}$ in. gauge, for 236163 |
| 236254 | — | Throat Plate, 46 needle hole, for needle sizes 16 and 18, in $\frac{3}{16}$ — $\frac{11}{32}$ — $\frac{3}{8}$ in. gauge, for 236162 |
| 236250 | — | Throat Plate, 46 needle hole, for needle sizes 16 and 18, in $\frac{1}{16}$ — $\frac{3}{32}$ — $\frac{1}{8}$ in. gauge, for 236159 |
| 236252 | — | Throat Plate, 46 needle hole, for needle sizes 16 and 18, in $\frac{1}{16}$ — $\frac{1}{8}$ — $\frac{1}{4}$ in. gauge, for 236160 |
| 236257 | — | Throat Plate, 46 needle hole, for needle sizes 16 and 18, in $\frac{1}{16}$ — $\frac{11}{32}$ — $\frac{1}{8}$ in. gauge, for 236165 |
| 236258 | — | Throat Plate, 46 needle hole, for needle sizes 16 and 18, in $\frac{1}{16}$ — $\frac{3}{32}$ — $\frac{1}{8}$ in. gauge, for 236165 |
| 236259 | — | Throat Plate, 46 needle hole, for needle sizes 16 and 18, in $\frac{1}{16}$ — $\frac{3}{8}$ — $\frac{1}{4}$ in. gauge, for 236165 |
| 236270 | — | Throat Plate, 46 needle hole, for needle sizes 16 and 18, in $\frac{1}{16}$ — $\frac{1}{8}$ — $\frac{1}{4}$ in. gauge, for 236176 |
| 236273 | — | Throat Plate, 46 needle hole, for needle sizes 16 and 18, in $\frac{11}{32}$ — $\frac{1}{8}$ — $\frac{11}{16}$ in. gauge, for 236179 |

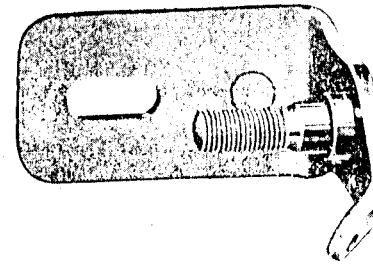
Throat Plates

| No. | Plate | Name |
|--------|-------|--|
| 236256 | — | Throat Plate, 46 needle hole, for needle sizes 16 and 18, in $\frac{11}{32}$ — $\frac{11}{16}$ — $\frac{1}{2}$ in. gauge, for 236164 |
| 236274 | — | Throat Plate, 46 needle hole, for needle sizes 16 and 18, in $\frac{11}{32}$ — $\frac{11}{16}$ — $\frac{1}{2}$ in. gauge, for 236154 |
| 236276 | — | Throat Plate, 46 needle hole, for needle sizes 16 and 18, in $\frac{1}{2}$ — $\frac{5}{8}$ — $\frac{3}{4}$ in. gauge, for 236289 |

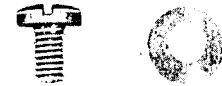
**ILLUSTRATIONS OF PARTS
FOR
MACHINES
Nos. 131w103 and 131w104**

PLATE 10881—FULL SIZE

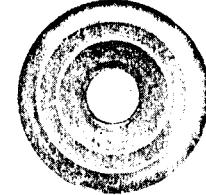
225461



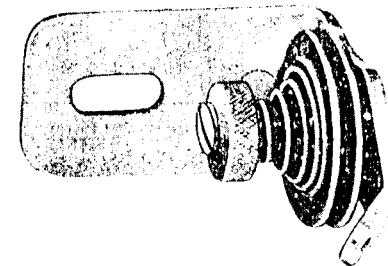
200082 202104



2102



225462



202407



201499



201572



PLATE 10880—FULL SIZE

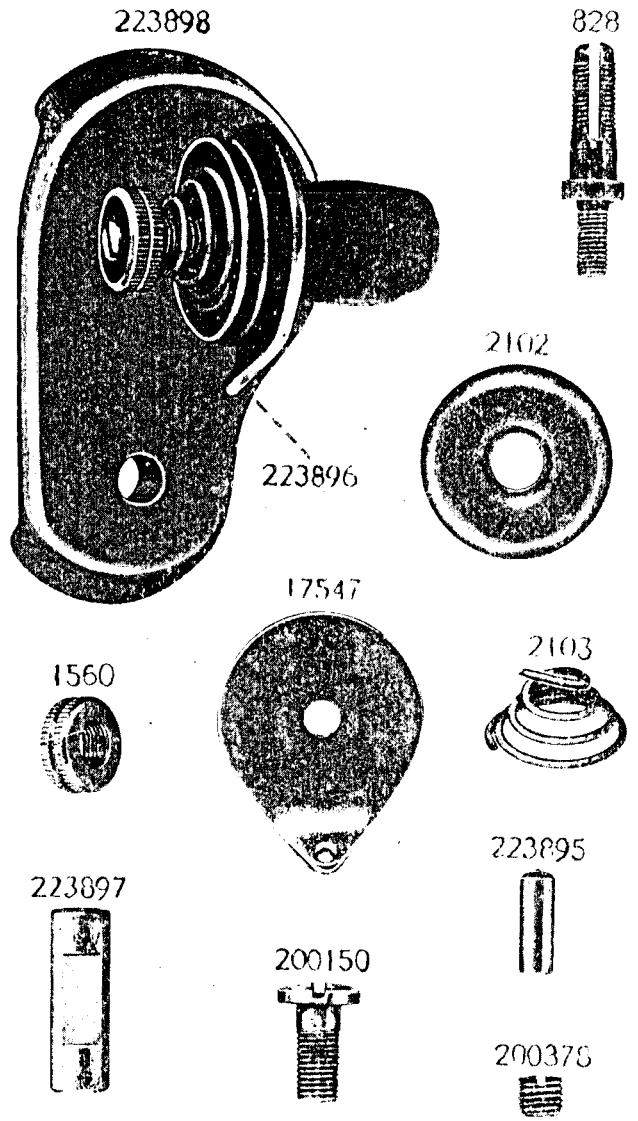


PLATE 10882—FULL SIZE

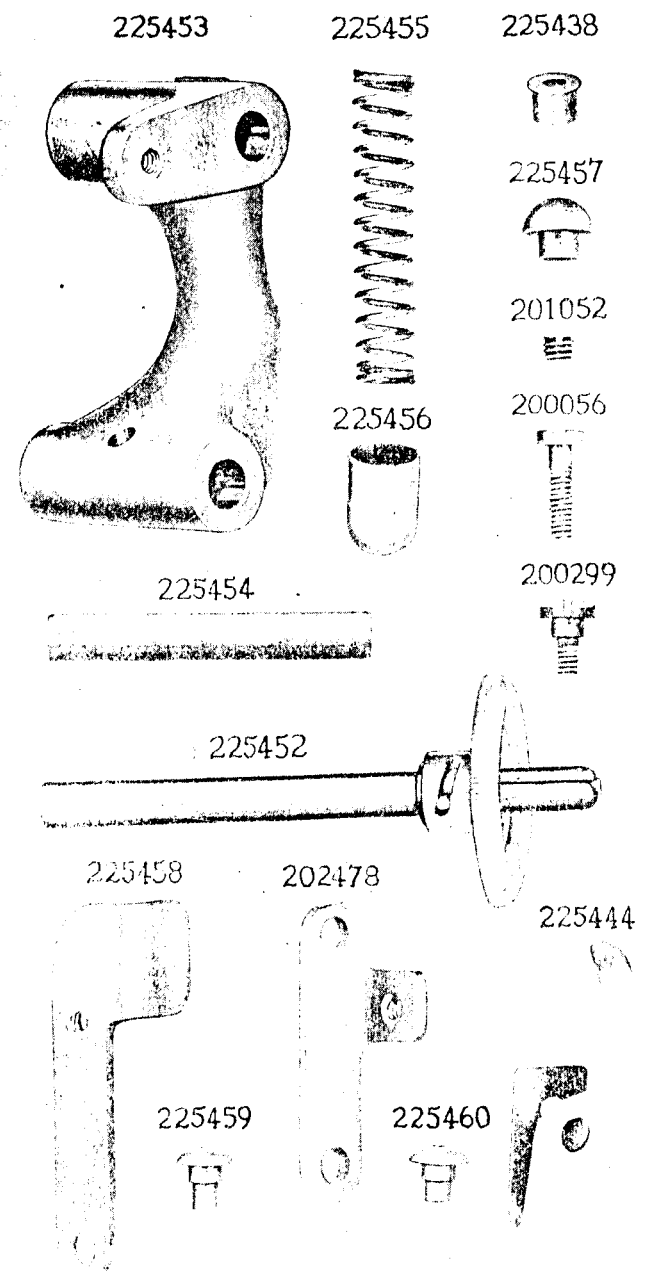
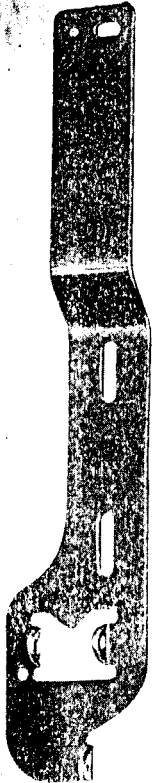


PLATE 10883—ONE-FOURTH SIZE

225463



202473



225436

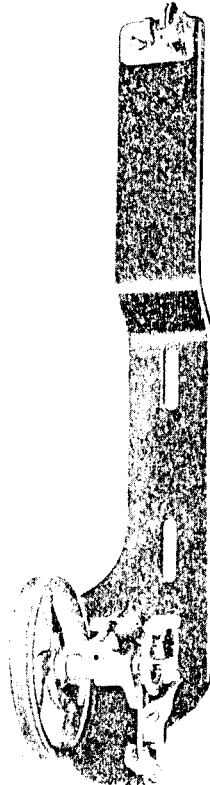
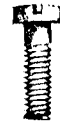


PLATE 11614—FULL SIZE

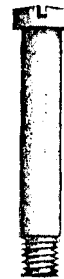
202799



200056



200221



200380



200299



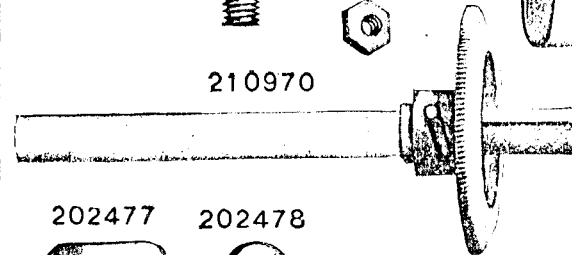
201537



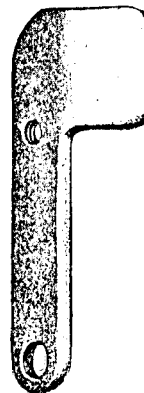
210971



210970



202477



202478



200224



200262

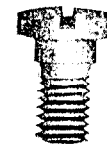


PLATE 11615 - ONE-HALF SIZE

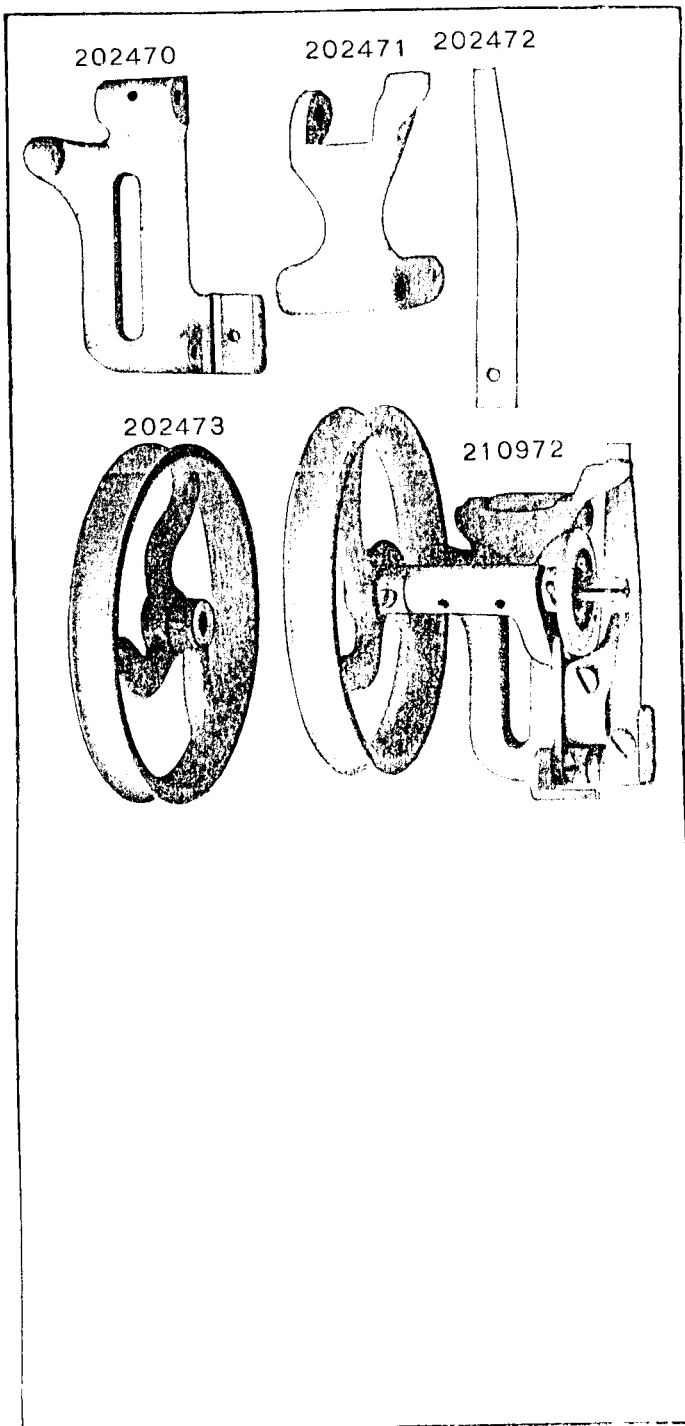


PLATE 12345 - ONE-HALF SIZE

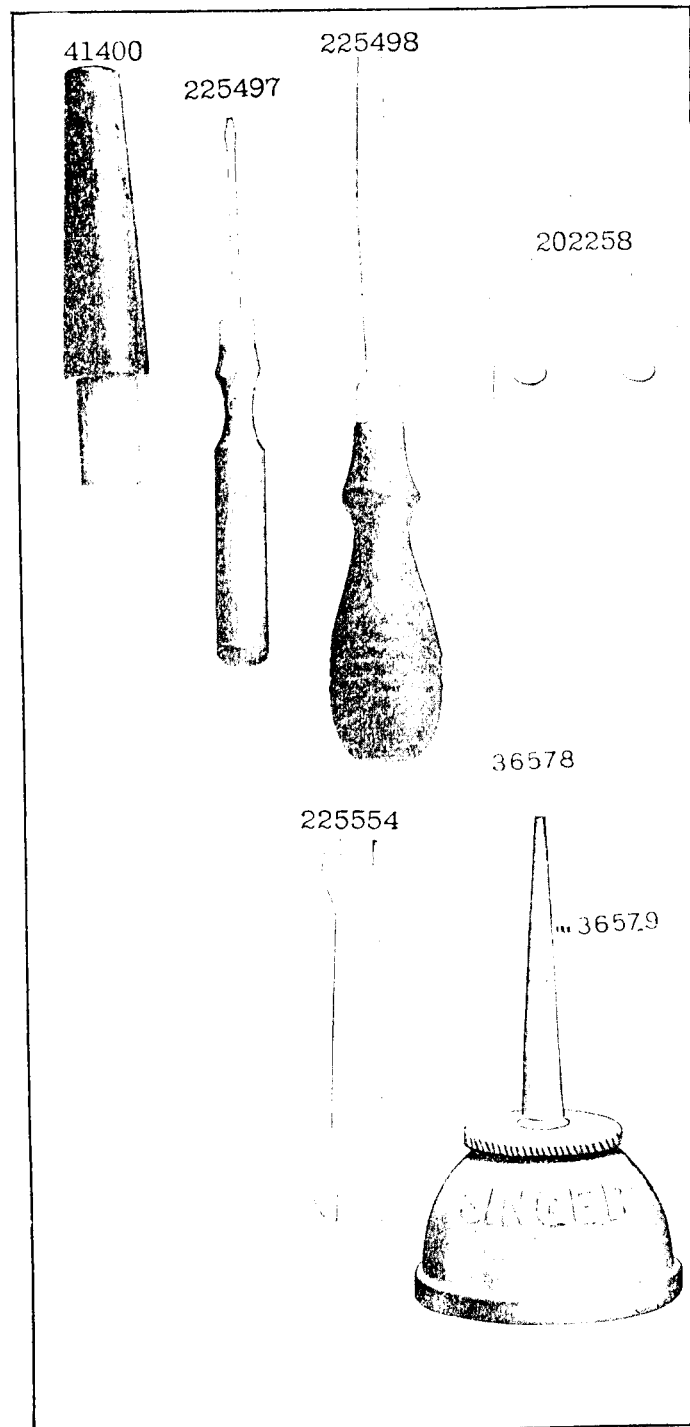


PLATE 13213-ONE-FOURTH SIZE

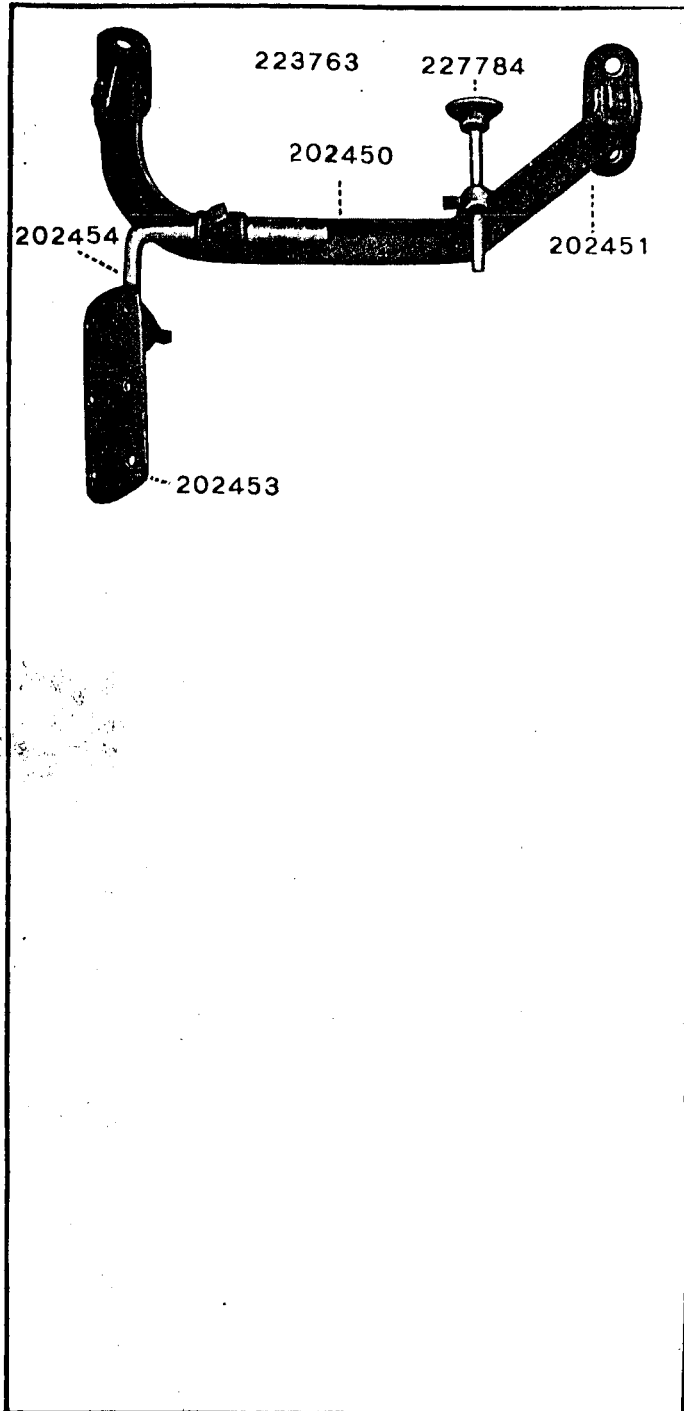


PLATE 13501-ONE-HALF SIZE

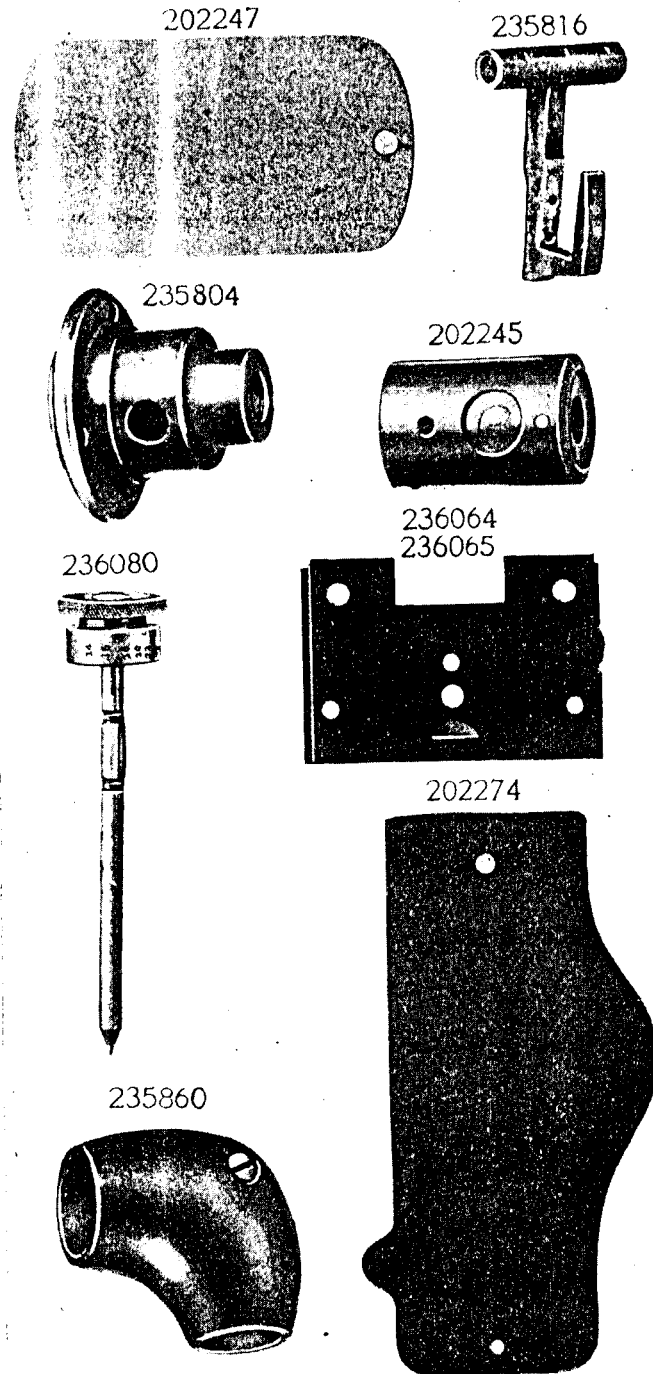


PLATE 13502—FULL SIZE

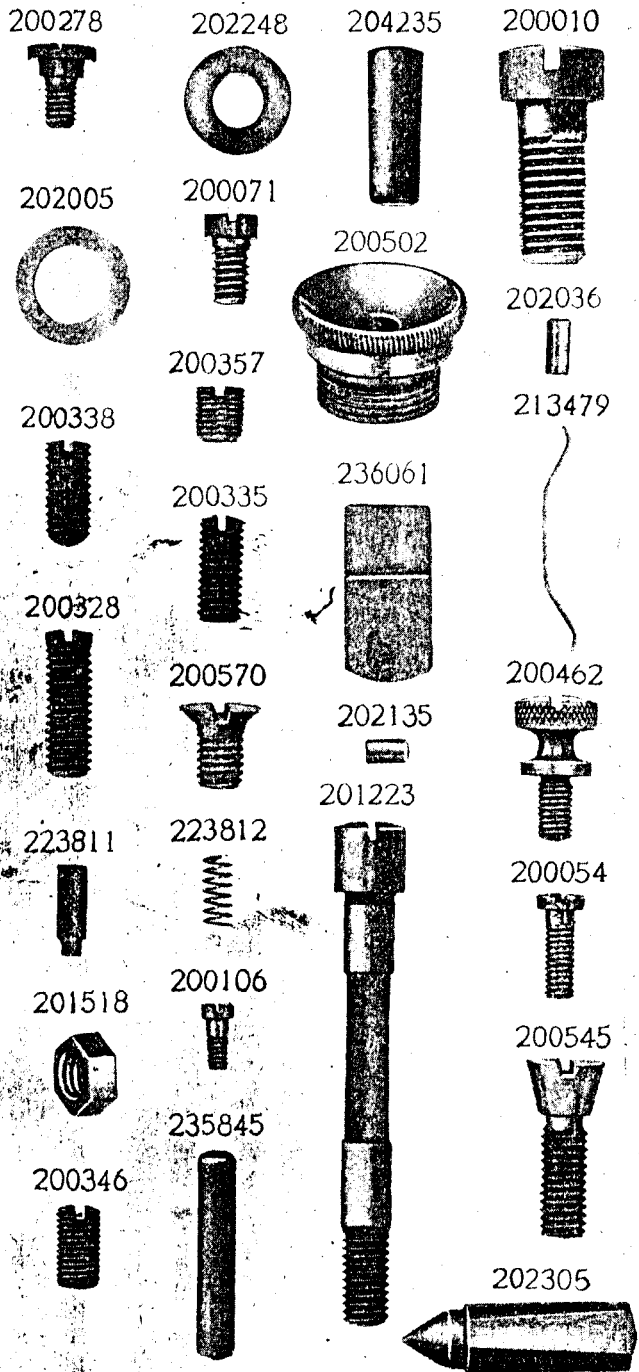


PLATE 13503—FULL SIZE

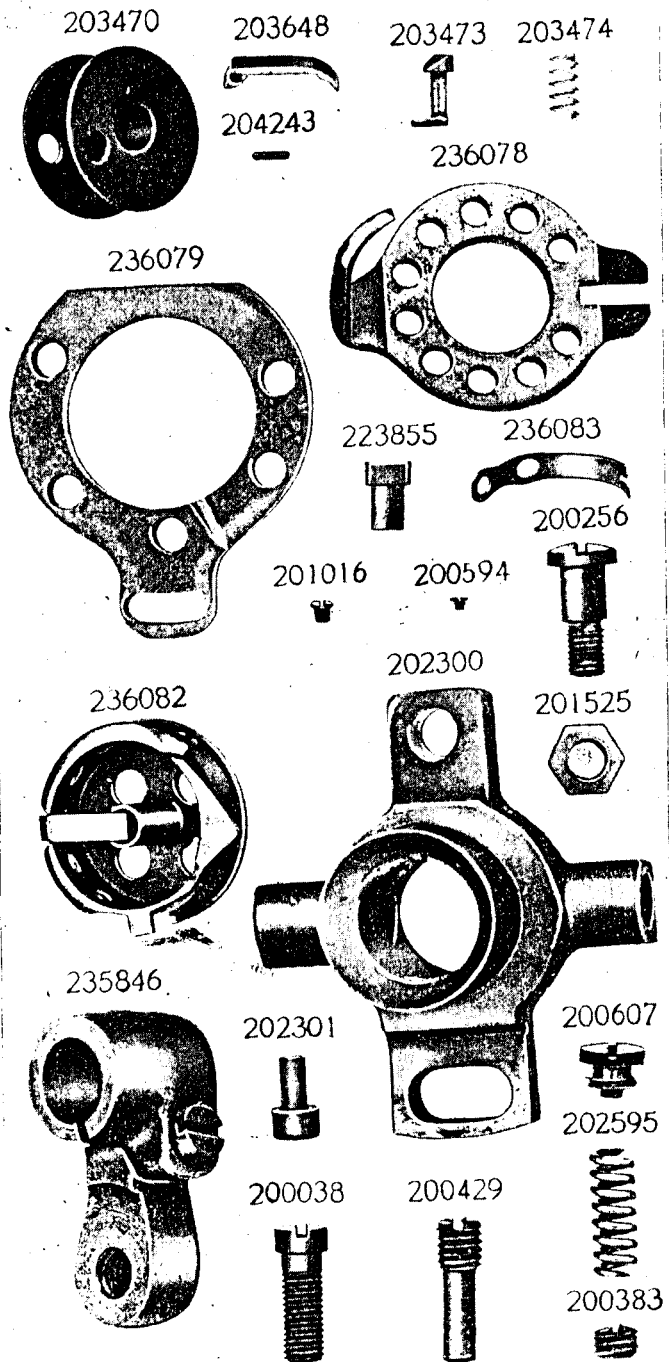


PLATE 13504—ONE-FOURTH SIZE

235803 235843 235848 213354 235856

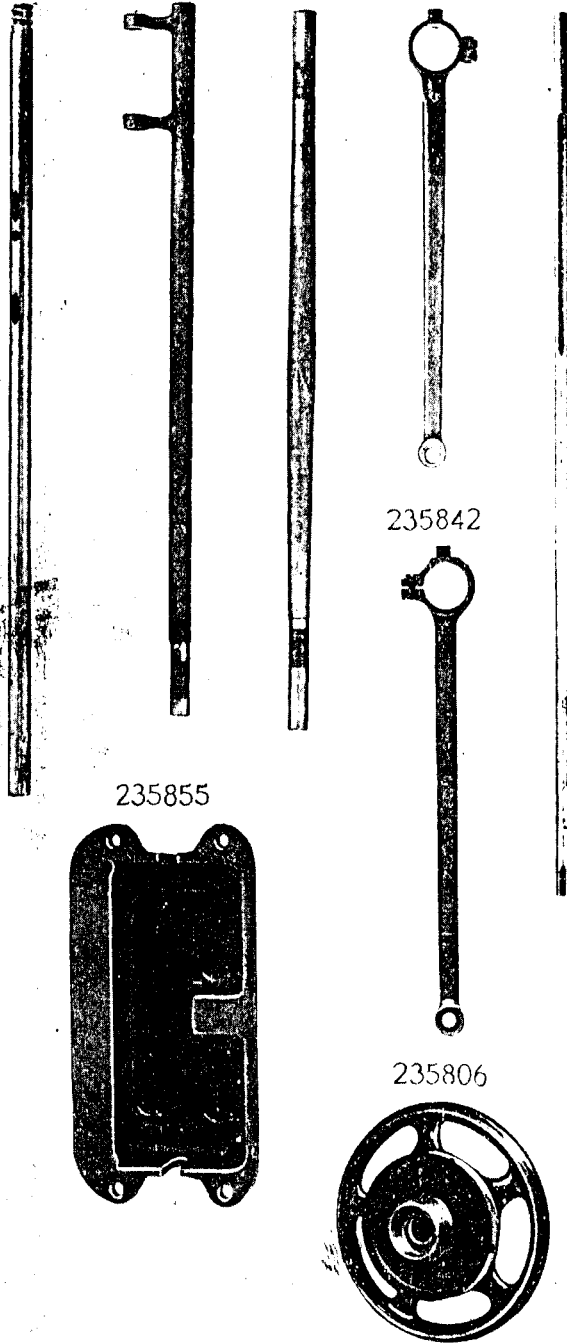


PLATE 13505—FULL SIZE

235847 200396 235851 235849

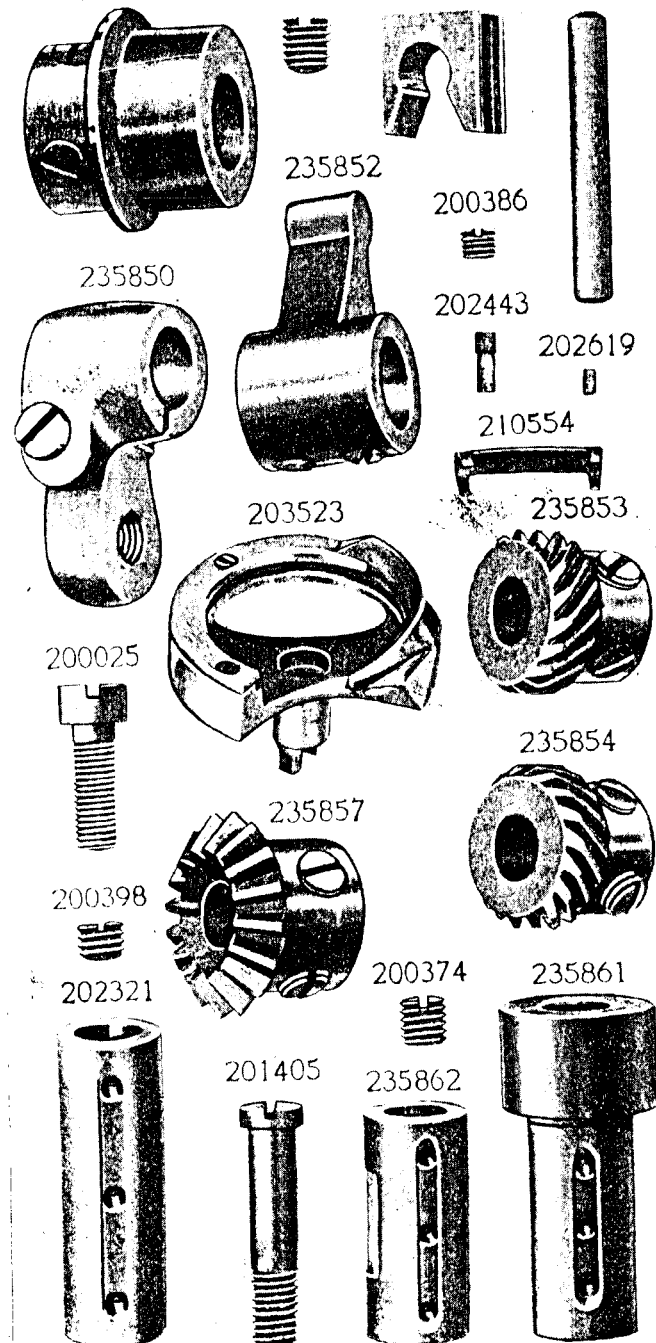


PLATE 13506—FULL SIZE

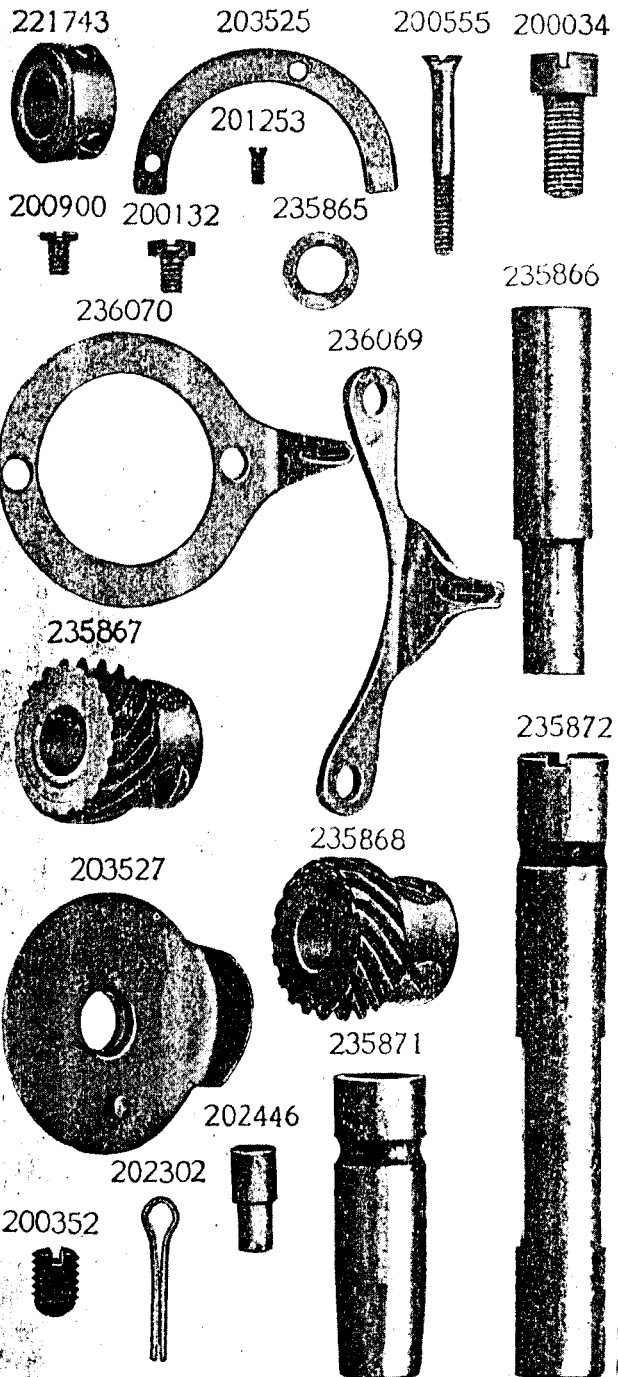


PLATE 13507—ONE-HALF SIZE

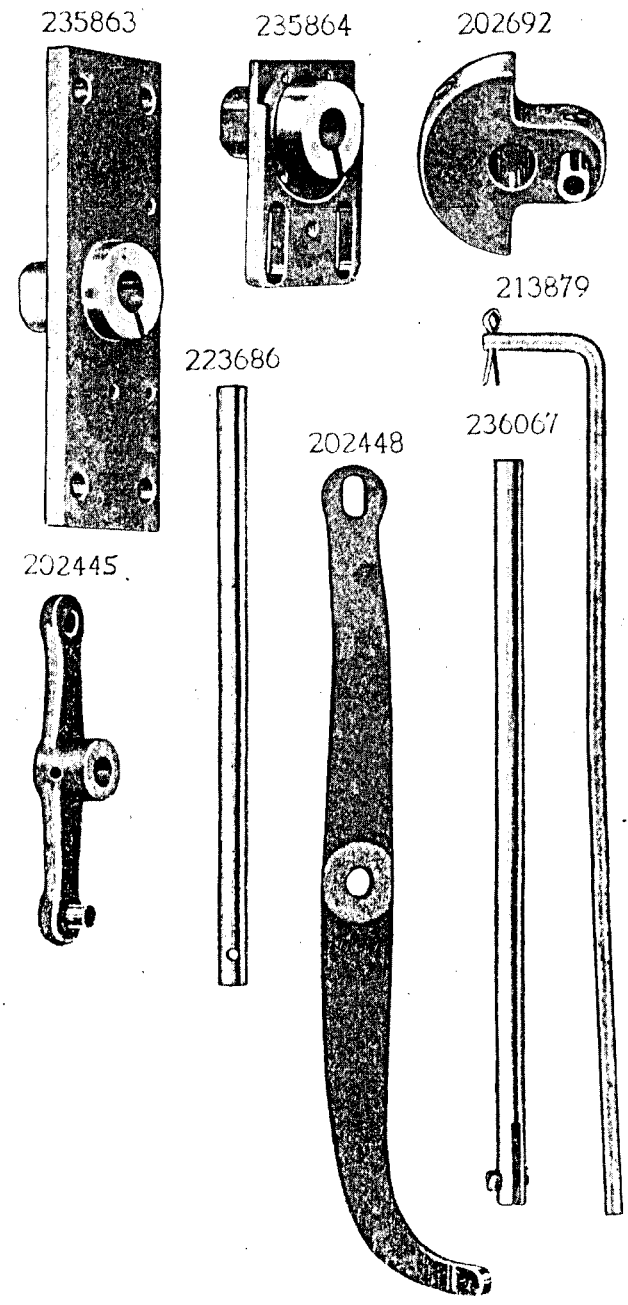


PLATE 13508—FULL SIZE

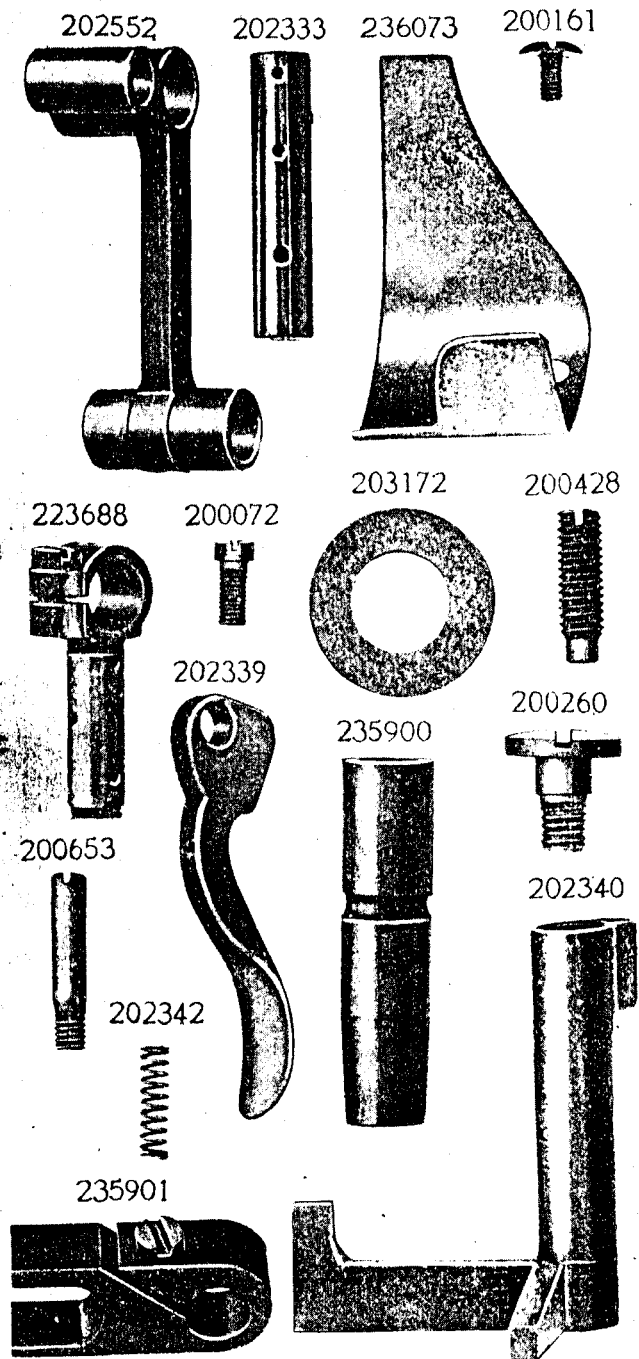


PLATE 13509—FULL SIZE

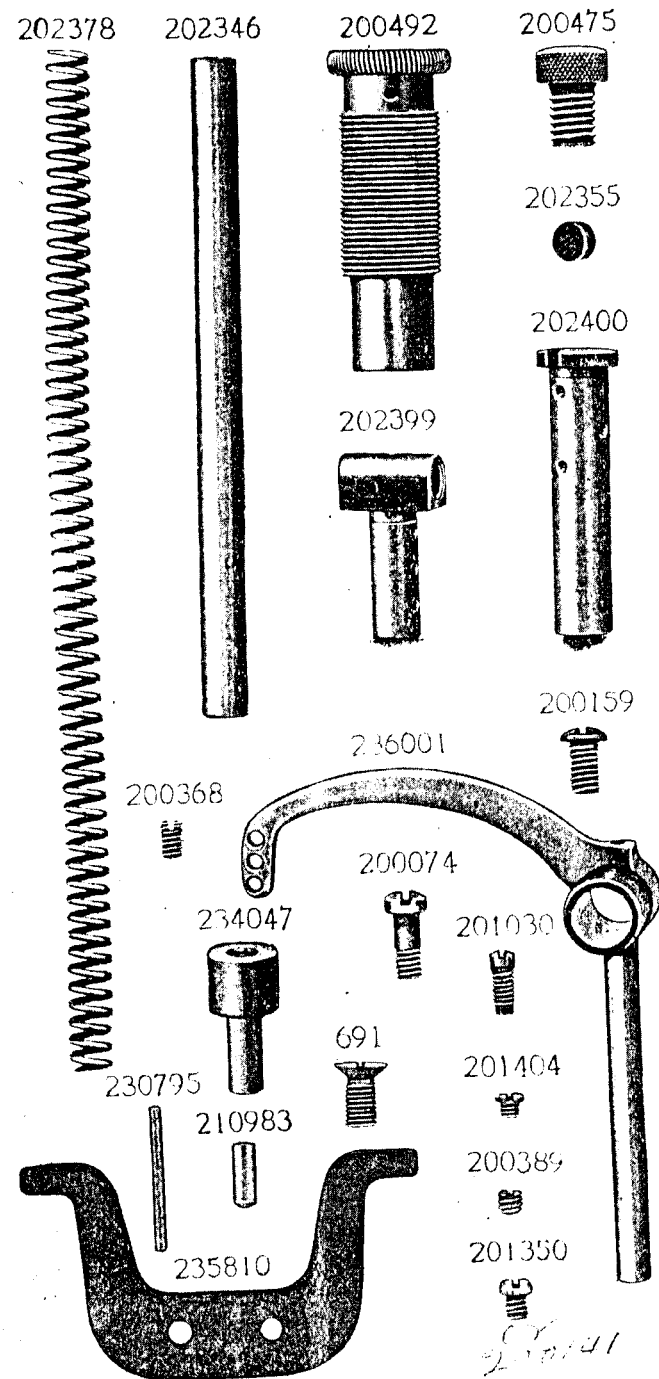


PLATE 13510—FULL SIZE

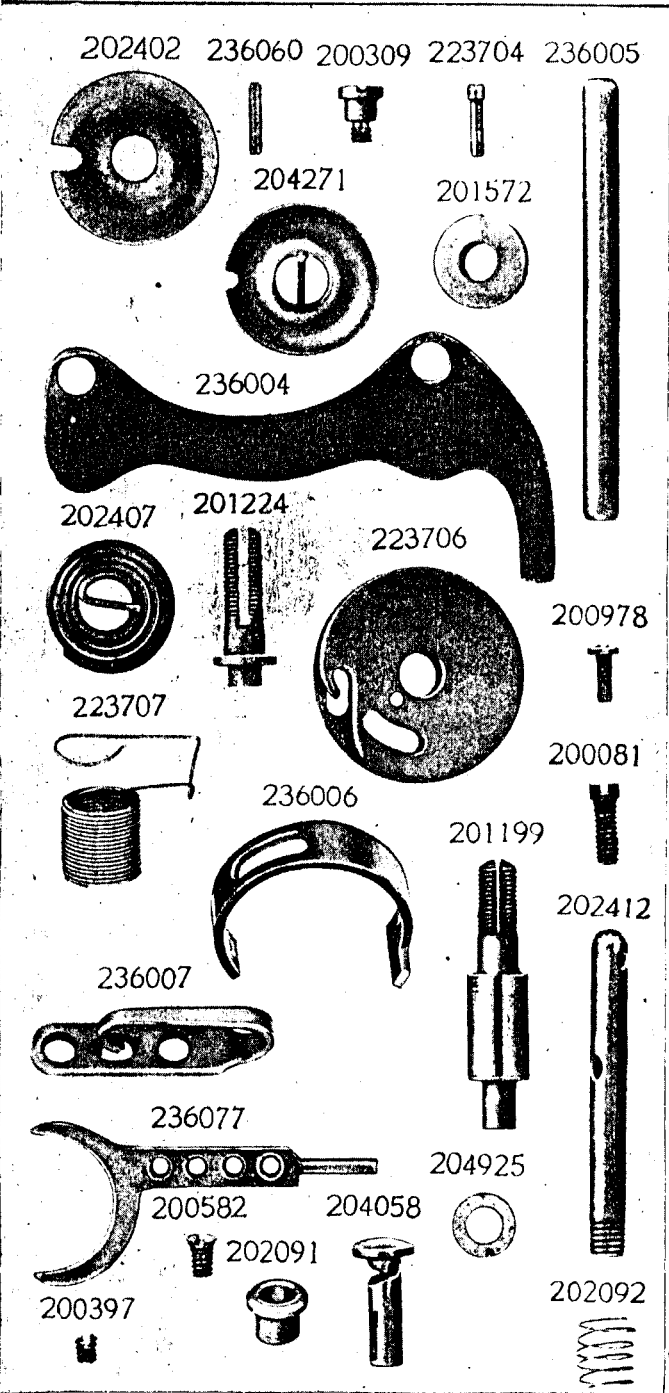


PLATE 13511—ONE-HALF SIZE

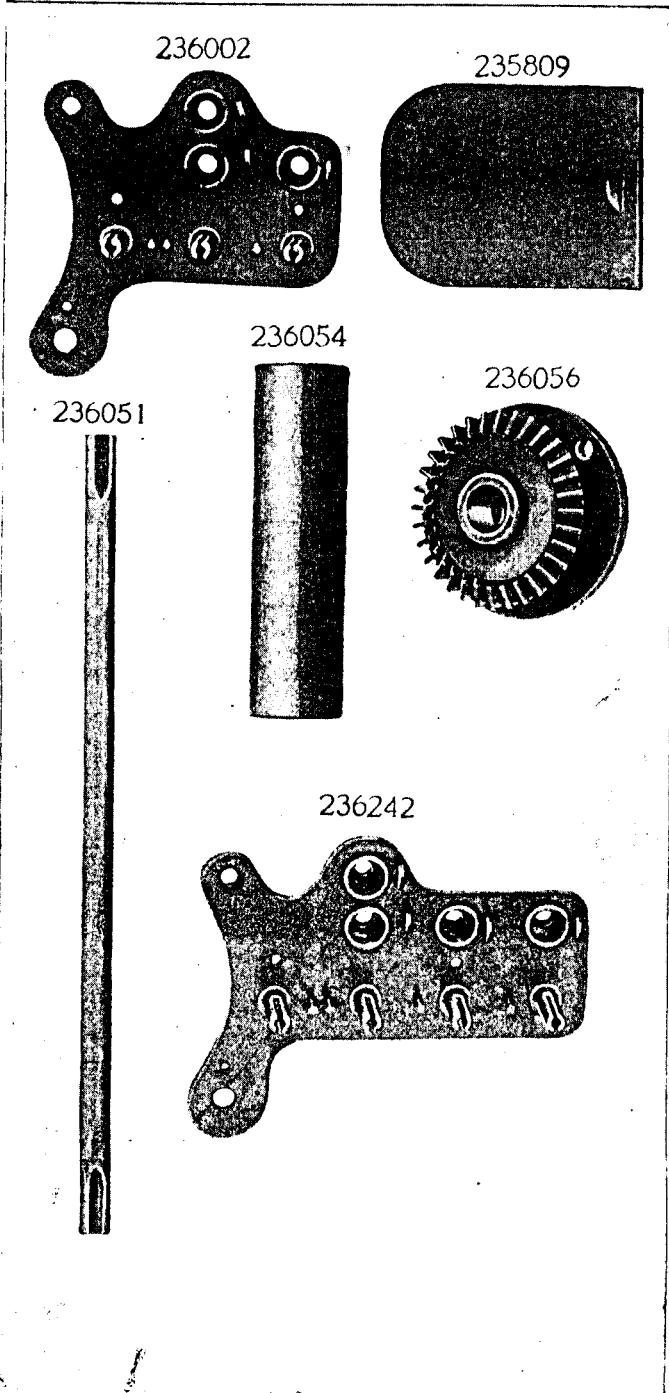


PLATE 13512—FULL SIZE

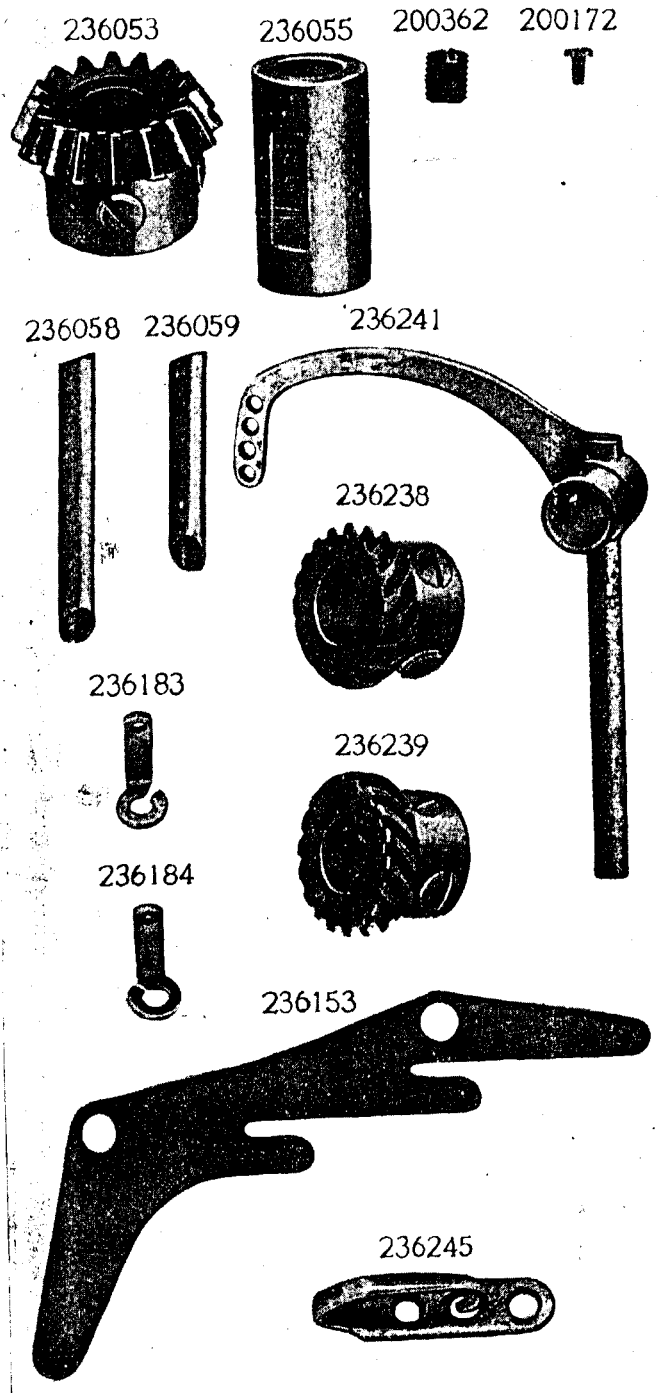


PLATE 13513—FULL SIZE

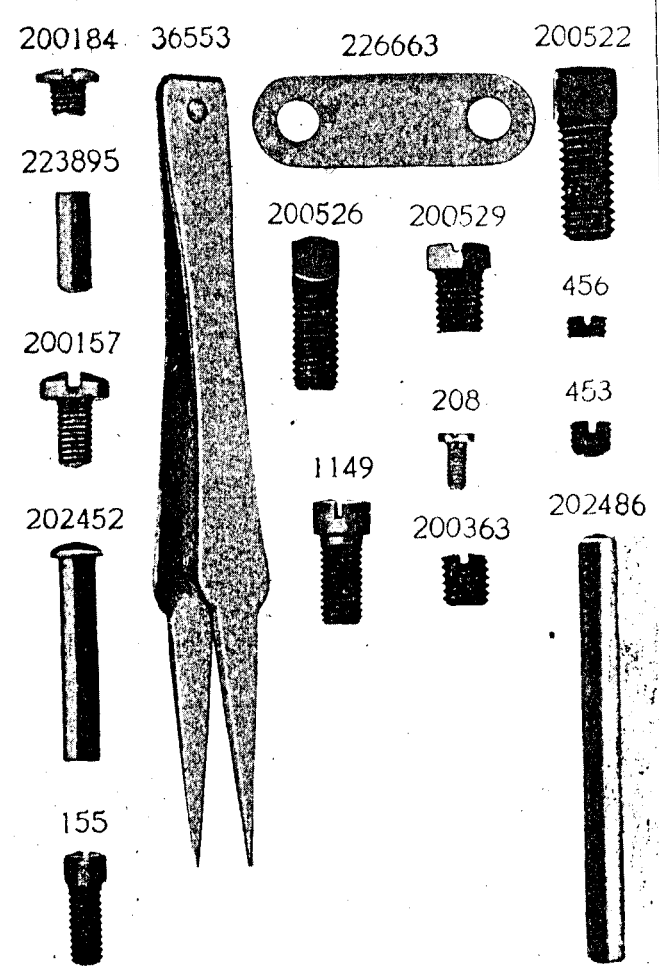
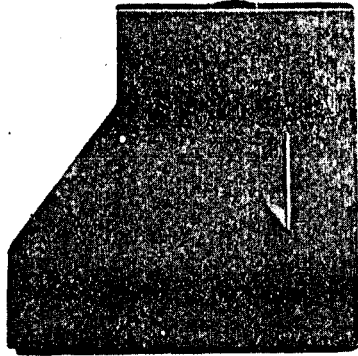


PLATE 13514—ONE-HALF SIZE

235813



235811

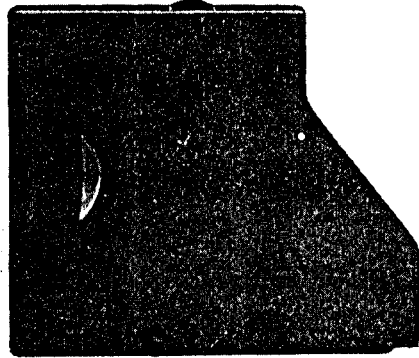
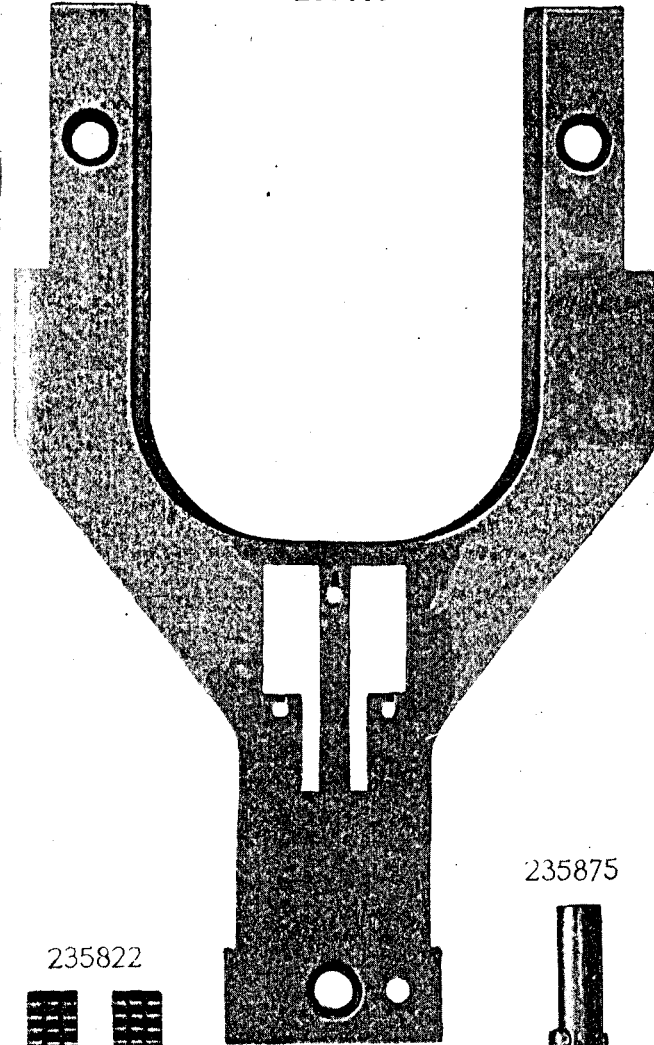


PLATE 13515—FULL SIZE

236013



235822



235875

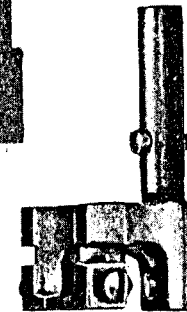
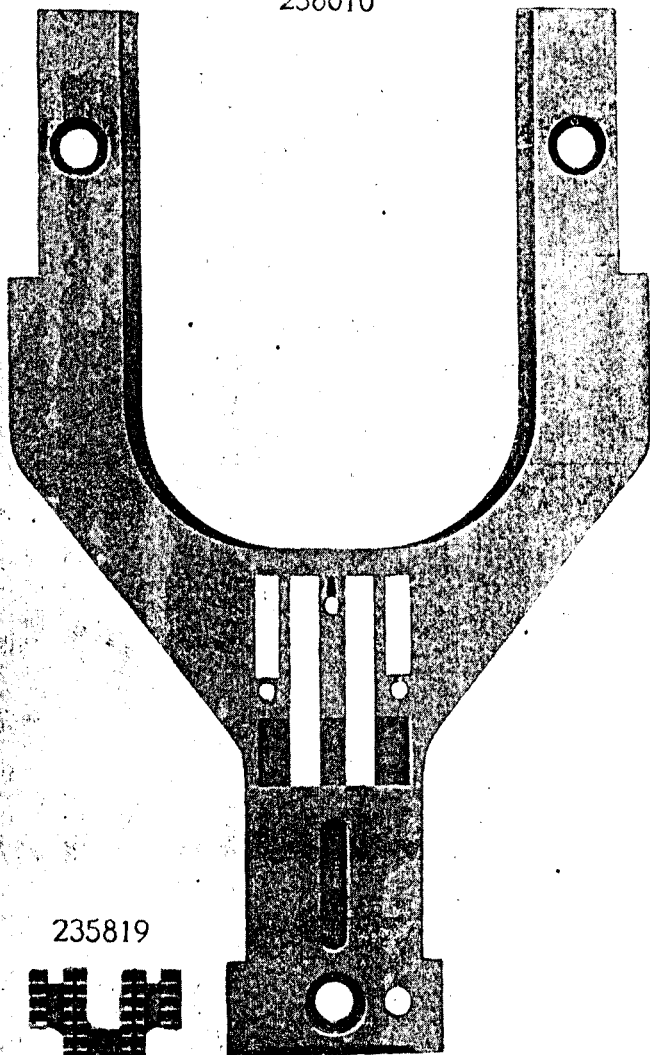


PLATE 13516—FULL SIZE

236010



235819

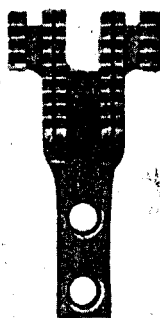
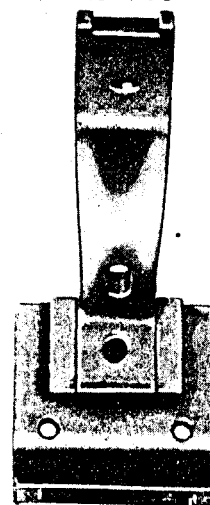
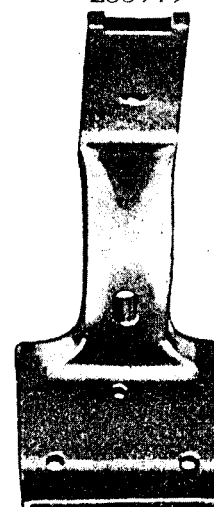


PLATE 13517—FULL SIZE

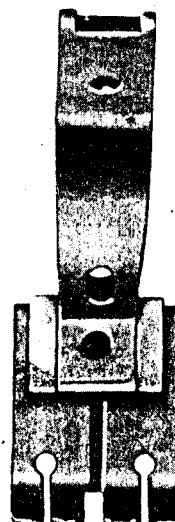
235918



235919



235921



235922

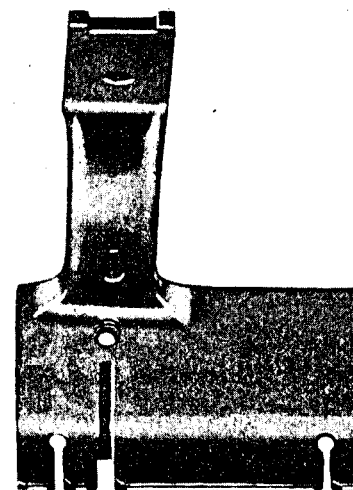


PLATE 13518—ONE-FOURTH SIZE

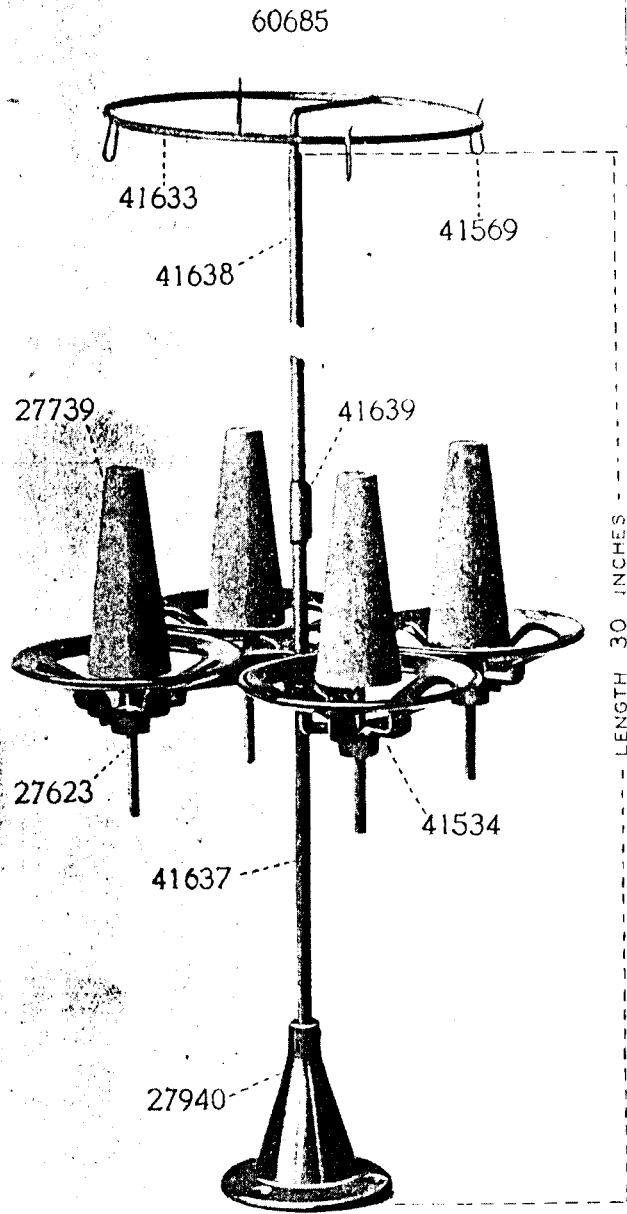
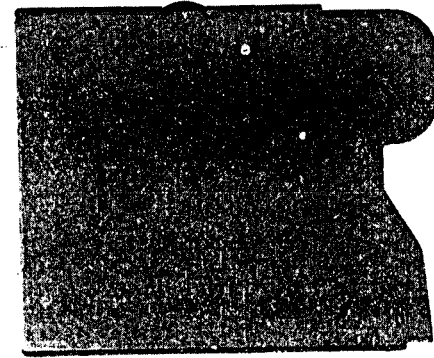
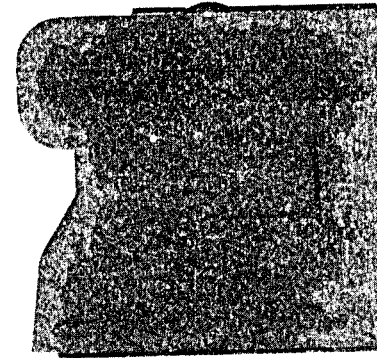


PLATE 13519—ONE-HALF SIZE

236342



236341

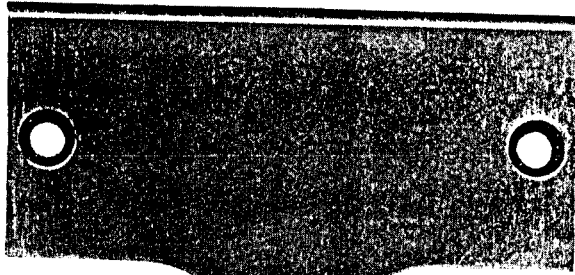


236262



PLATE 13520—FULL SIZE

236263



236169

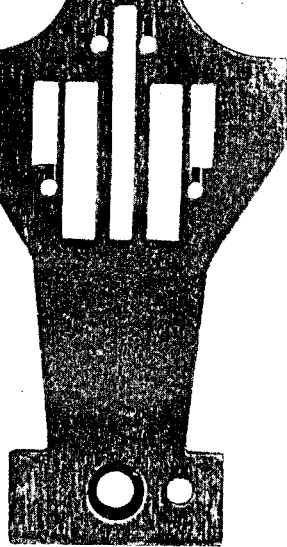
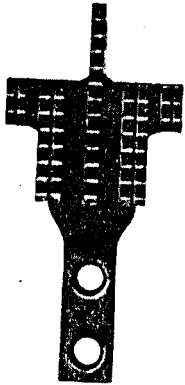
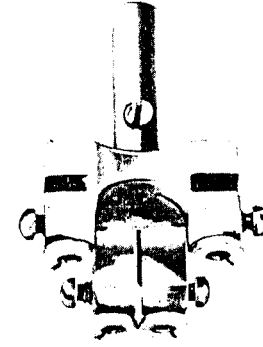
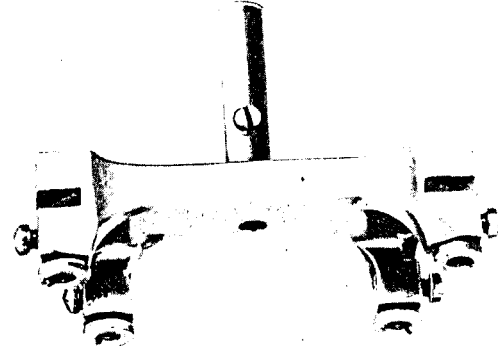


PLATE 13521—FULL SIZE

236364



236368



236168

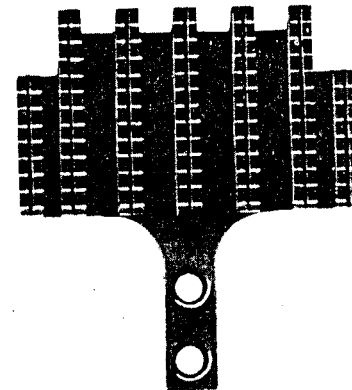
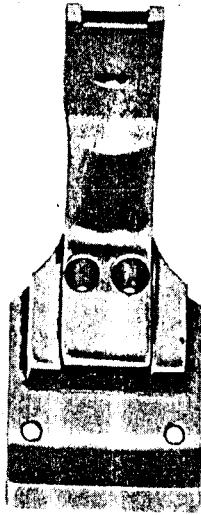


PLATE 13522—FULL SIZE

236208



206335



236321



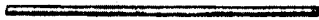
236193



236320



236199



236319

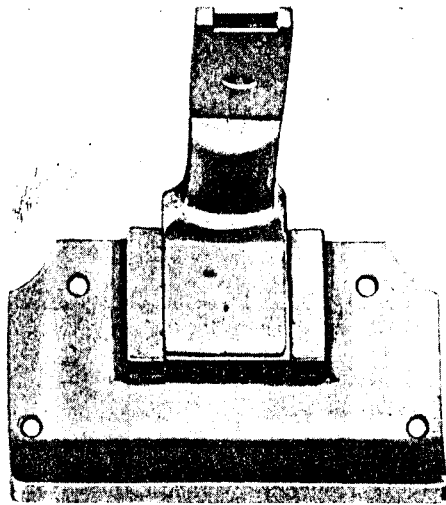


PLATE 13523—ONE-FOURTH SIZE

227775

