

**SINGER**  
**135W1**

Form 2677w

(141)

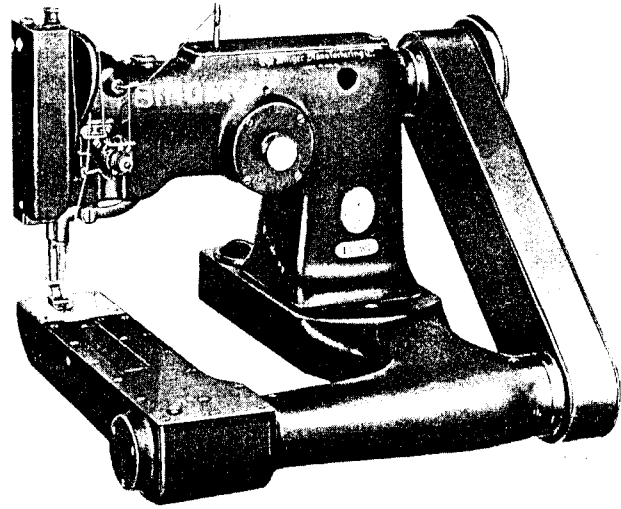
Printed in U. S. A.

# SINGER

## 135w1

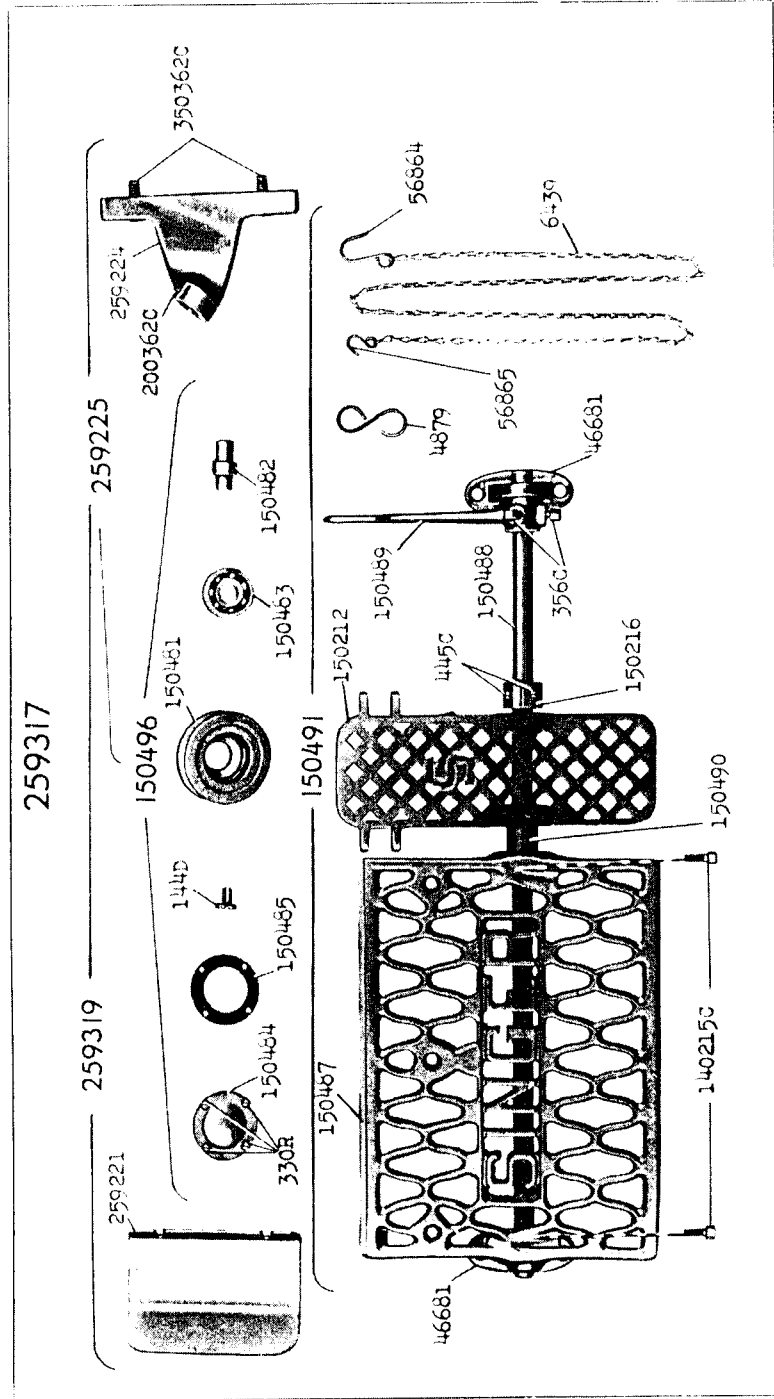


**THE SINGER MANUFACTURING COMPANY**

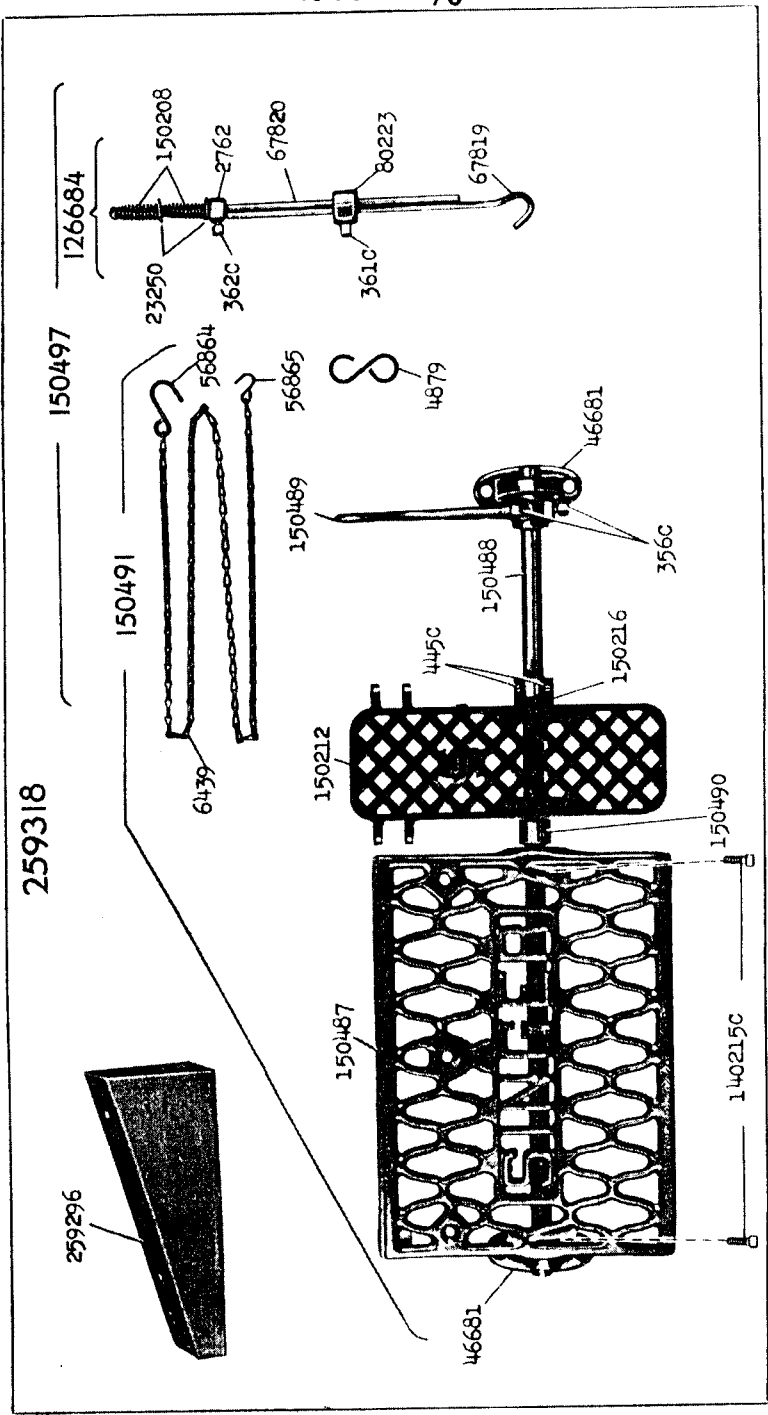


Copyright, U. S. A., 1938, 1939, 1940 and 1941  
 by The Singer Manufacturing Co.  
 All Rights Reserved for all Countries

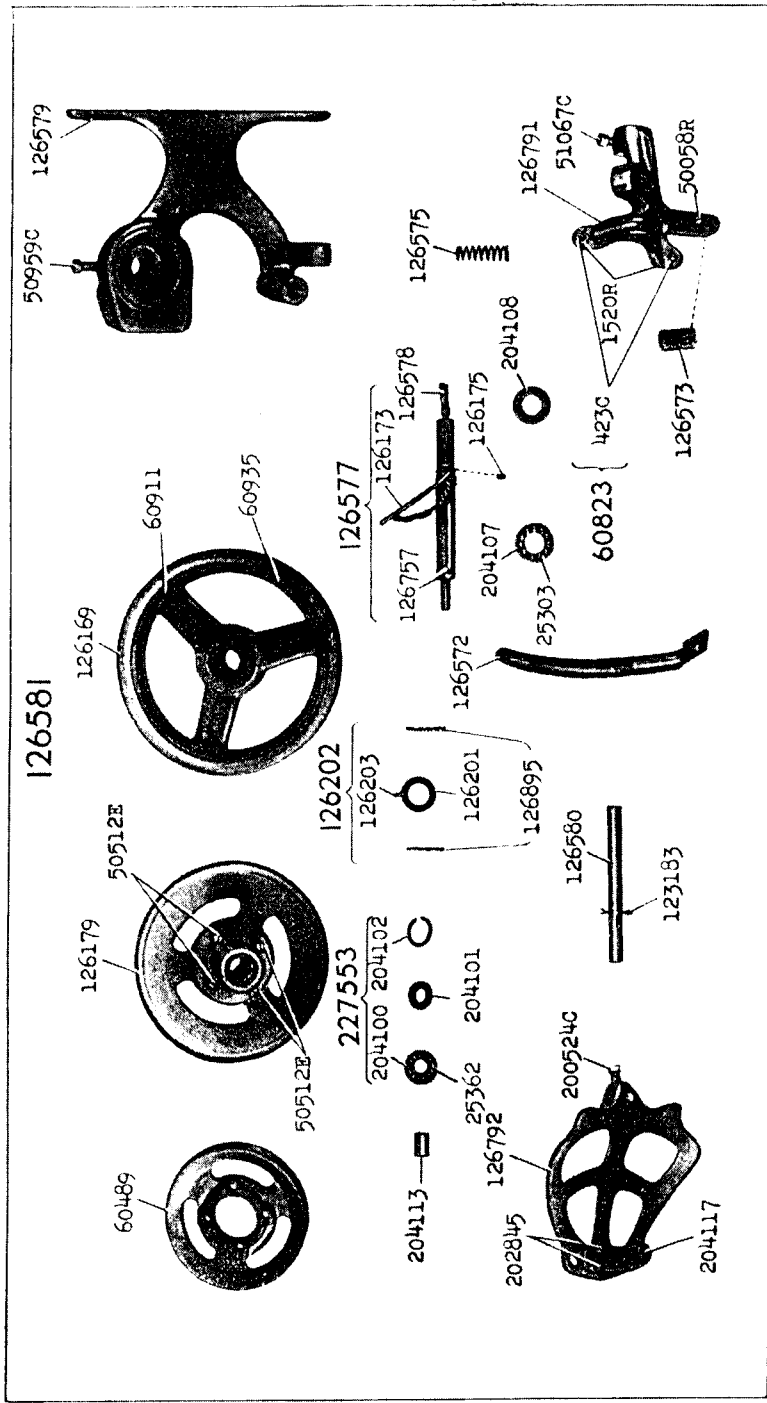
15851 - 1/6



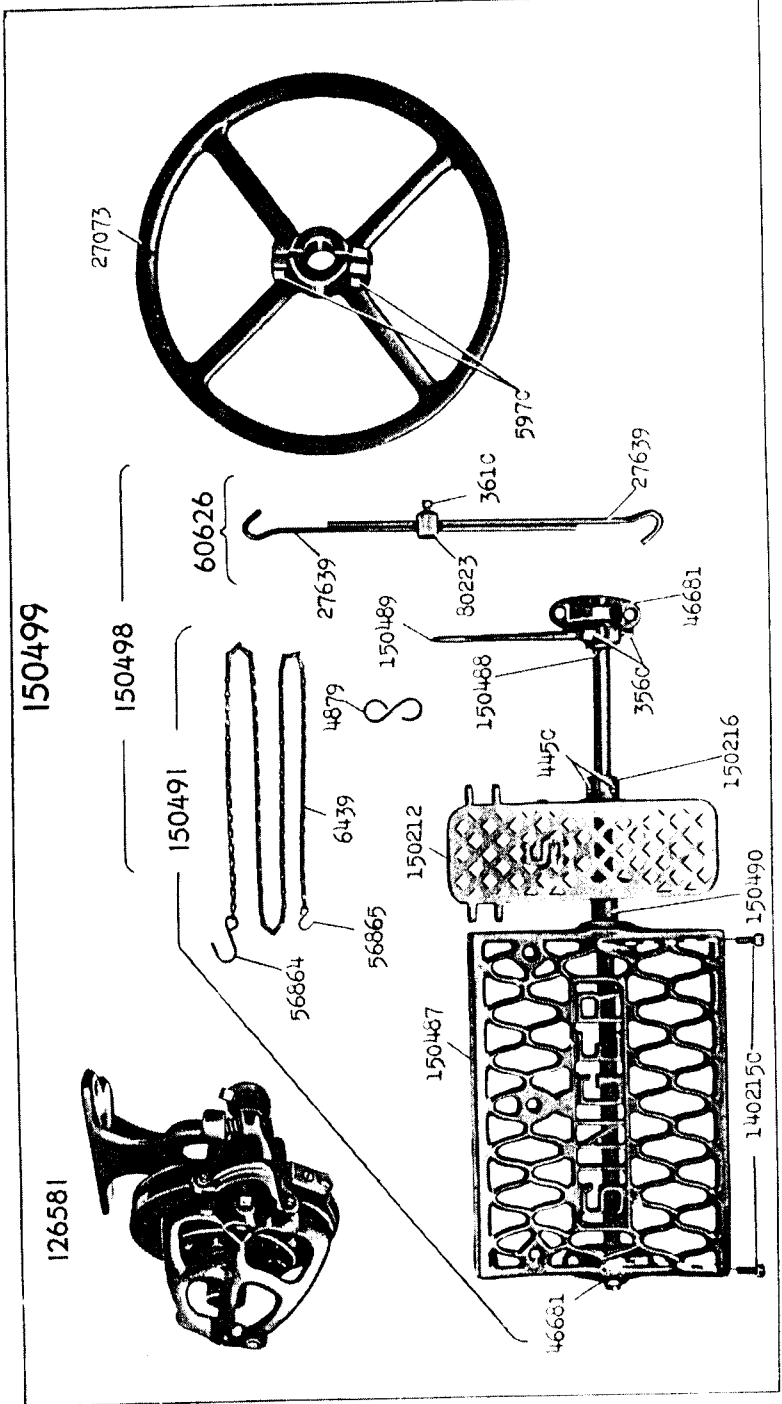
15852 - 1/6



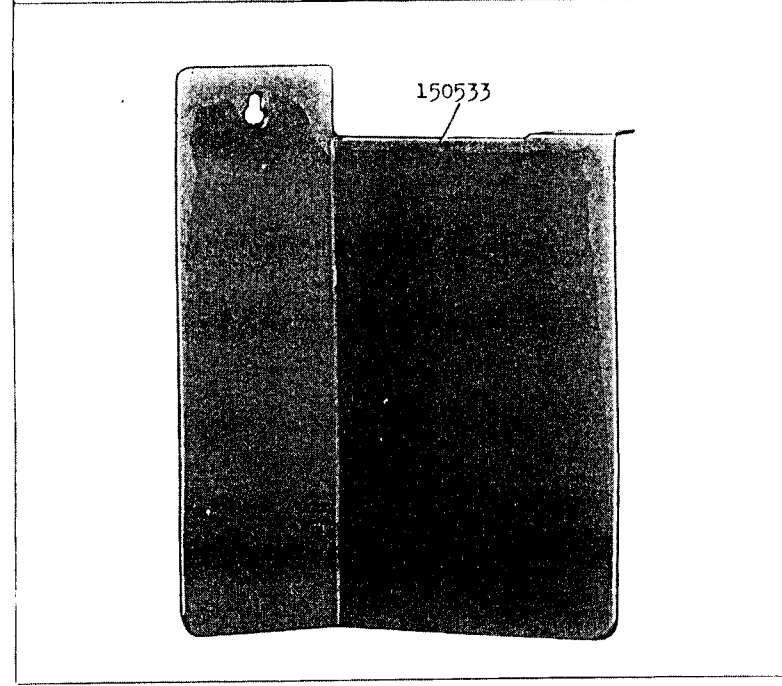
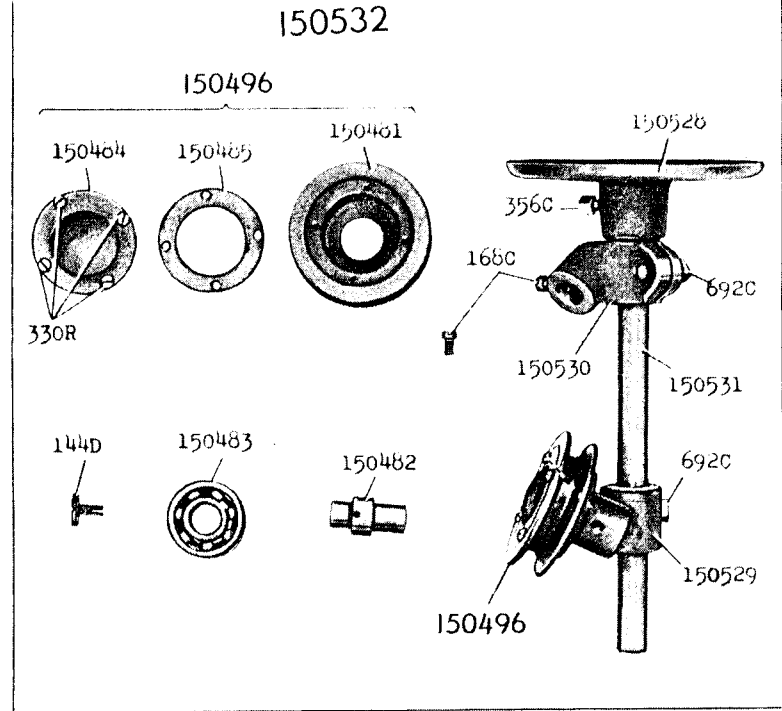
15853 - 1/6



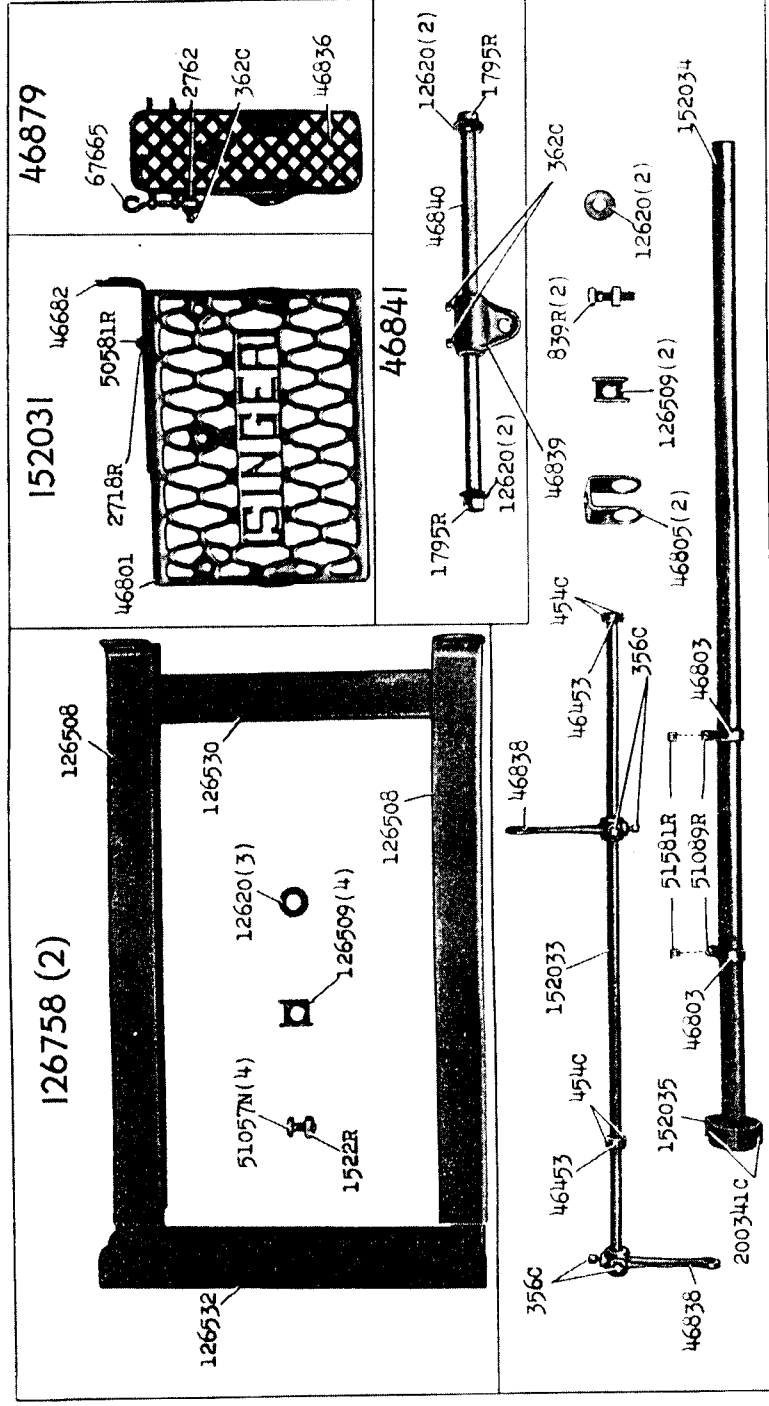
15854 - 1/7



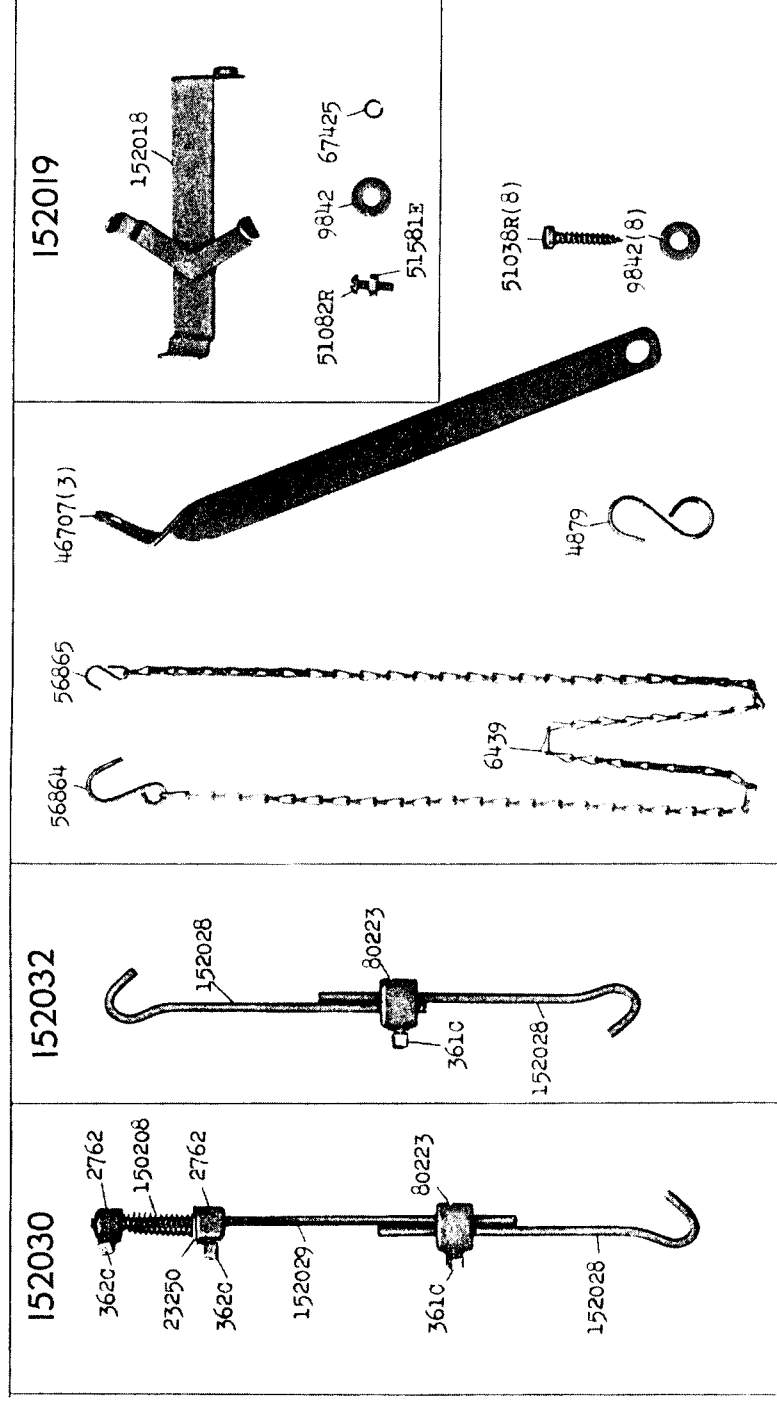
15855 - 1/4



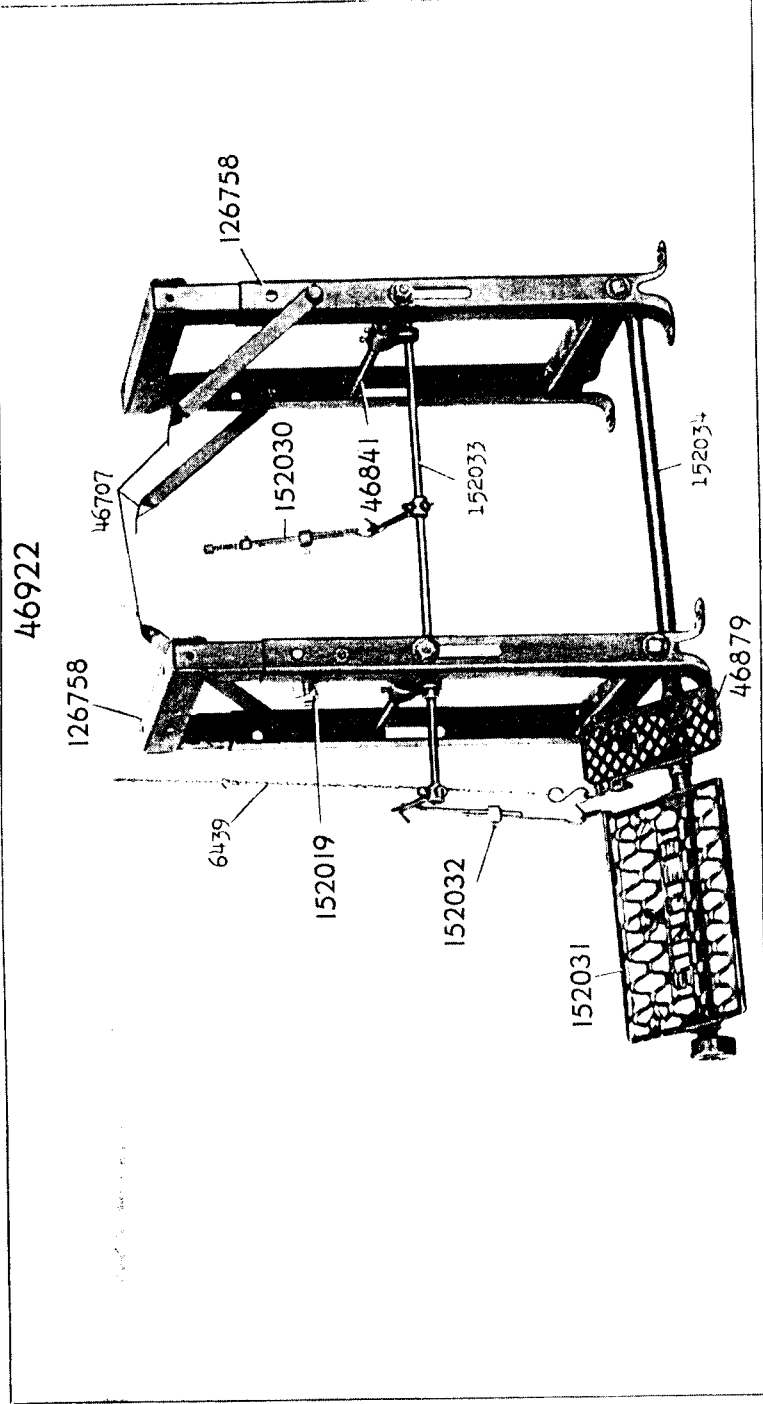
15856 - 1/8



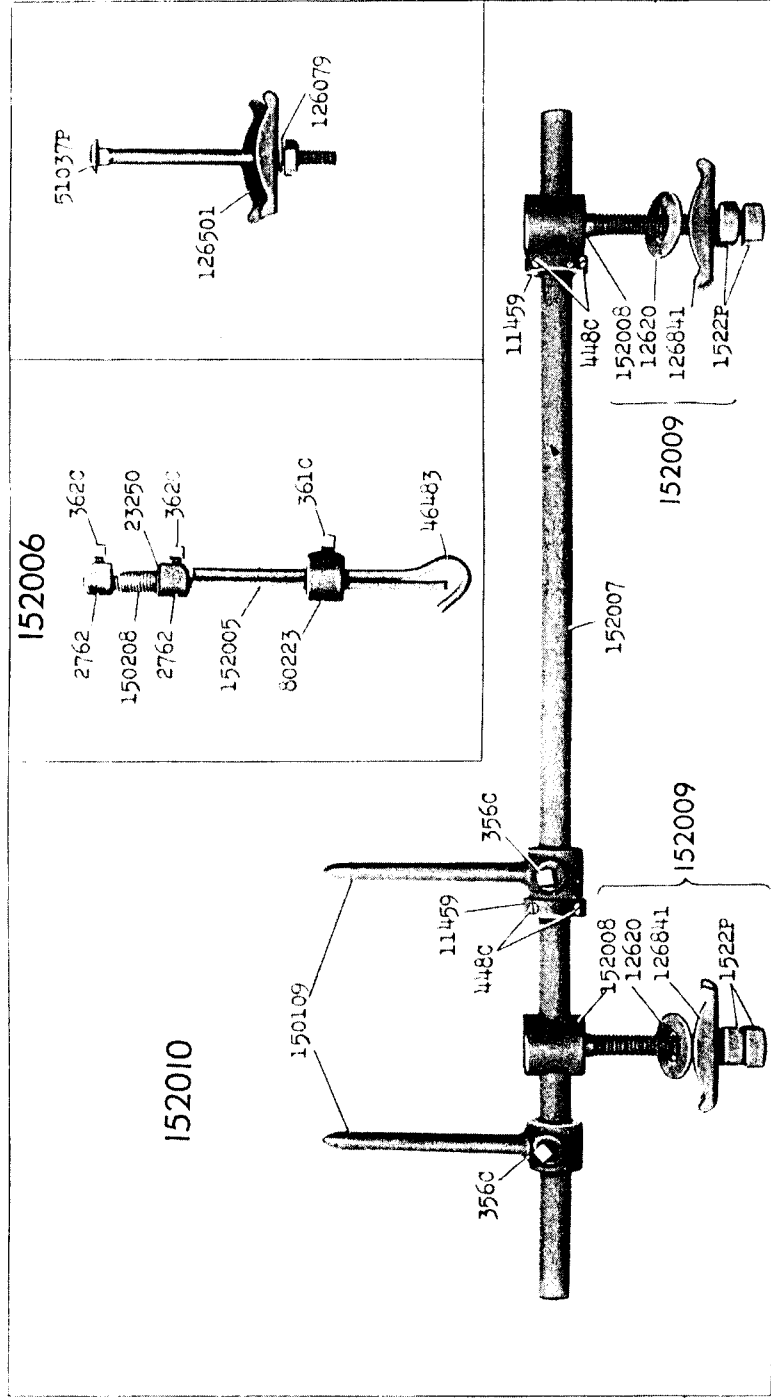
15857 - 1/4



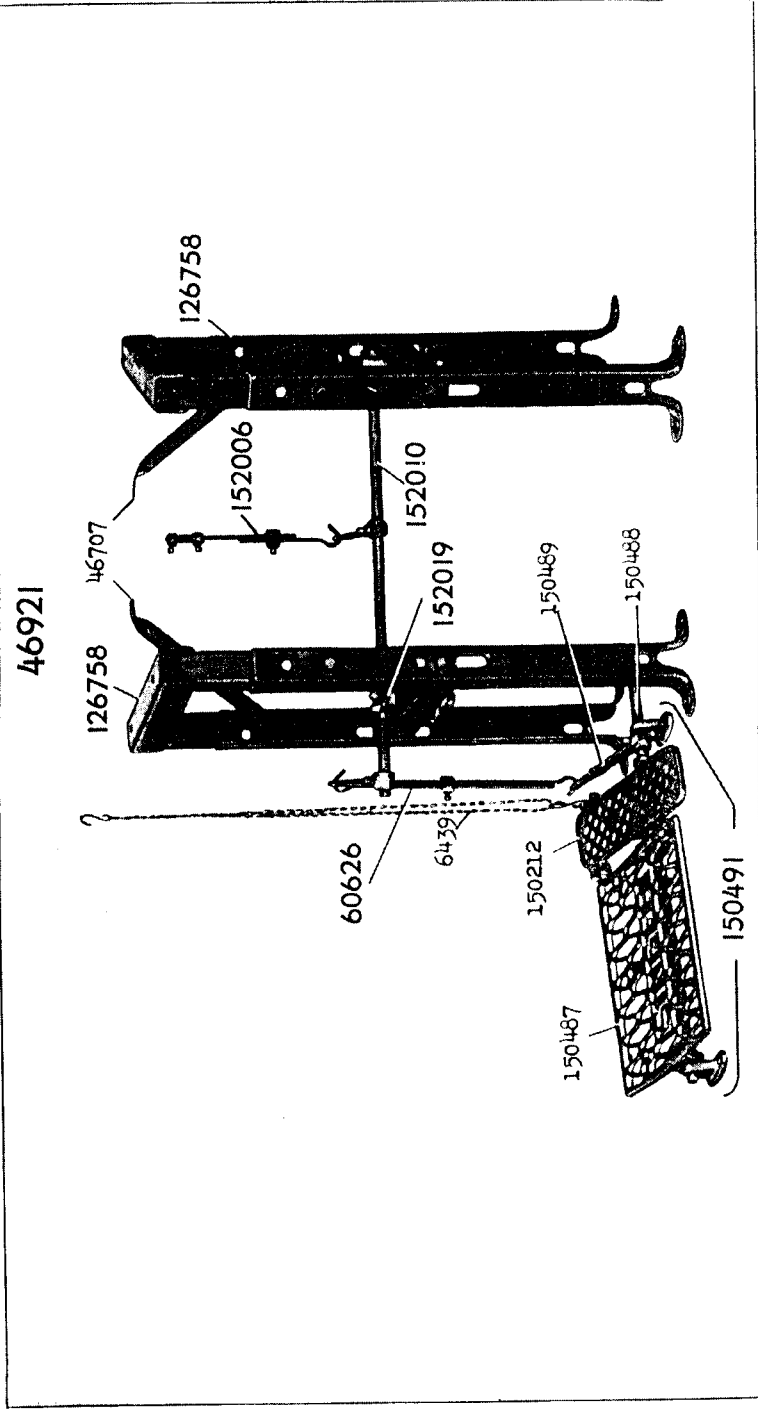
15858 - 1/10



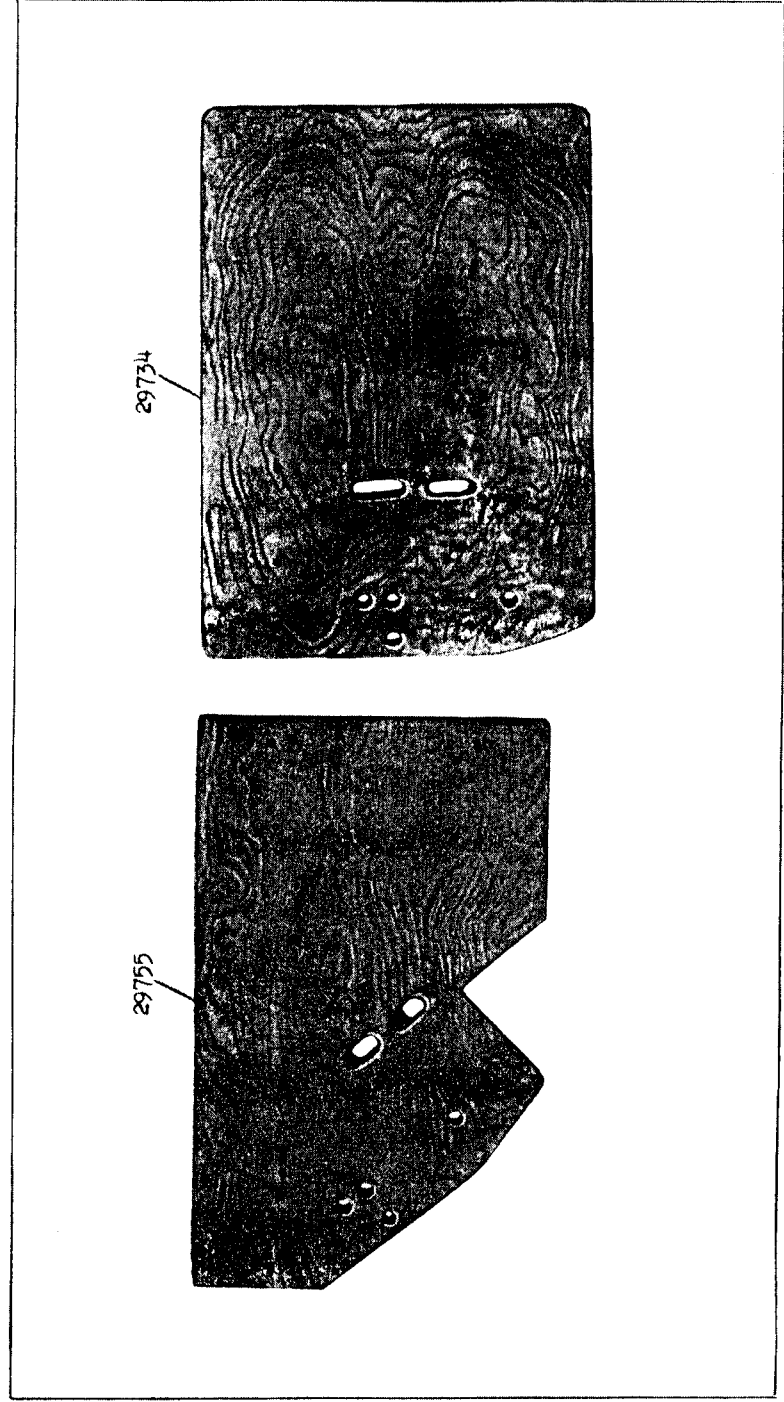
15859 - 1/4



15860 - 1/10

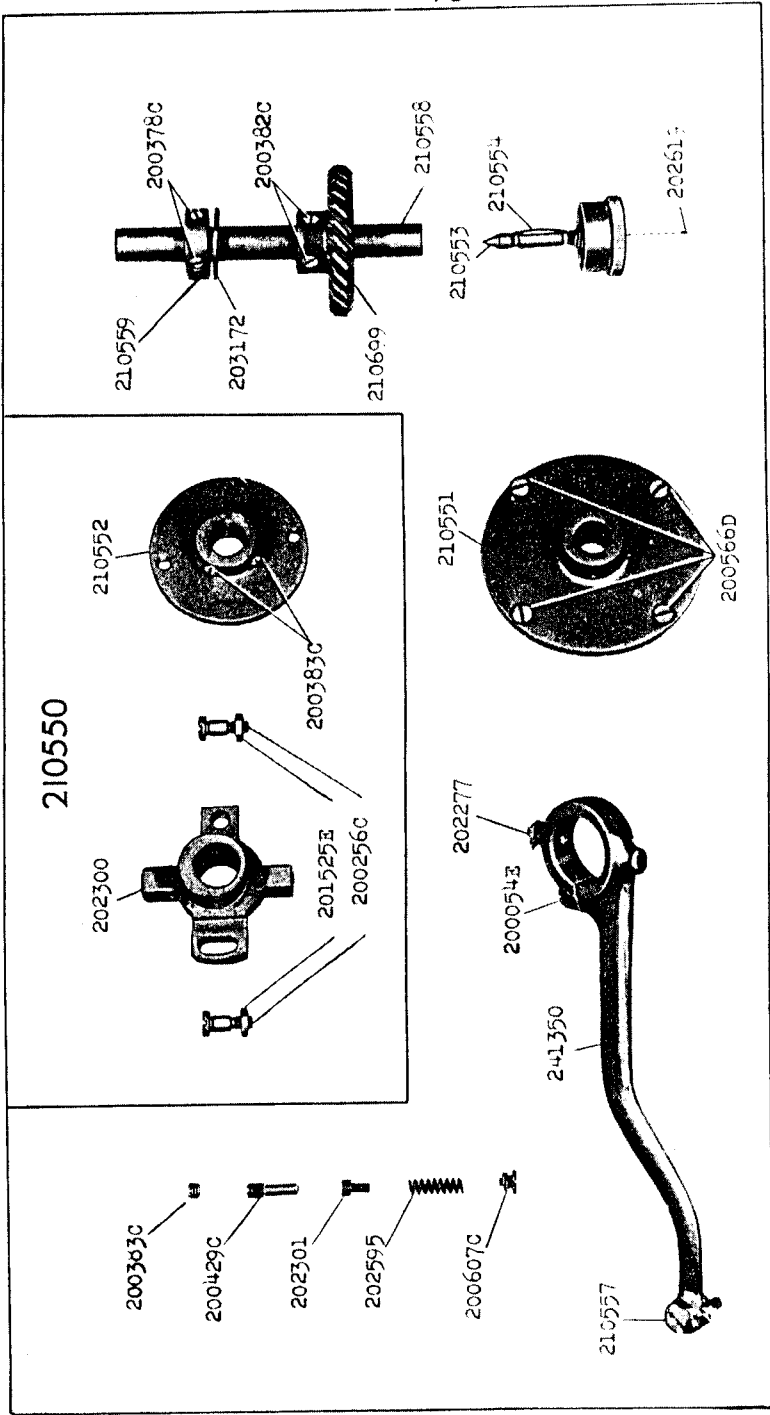


15873 - 1/10

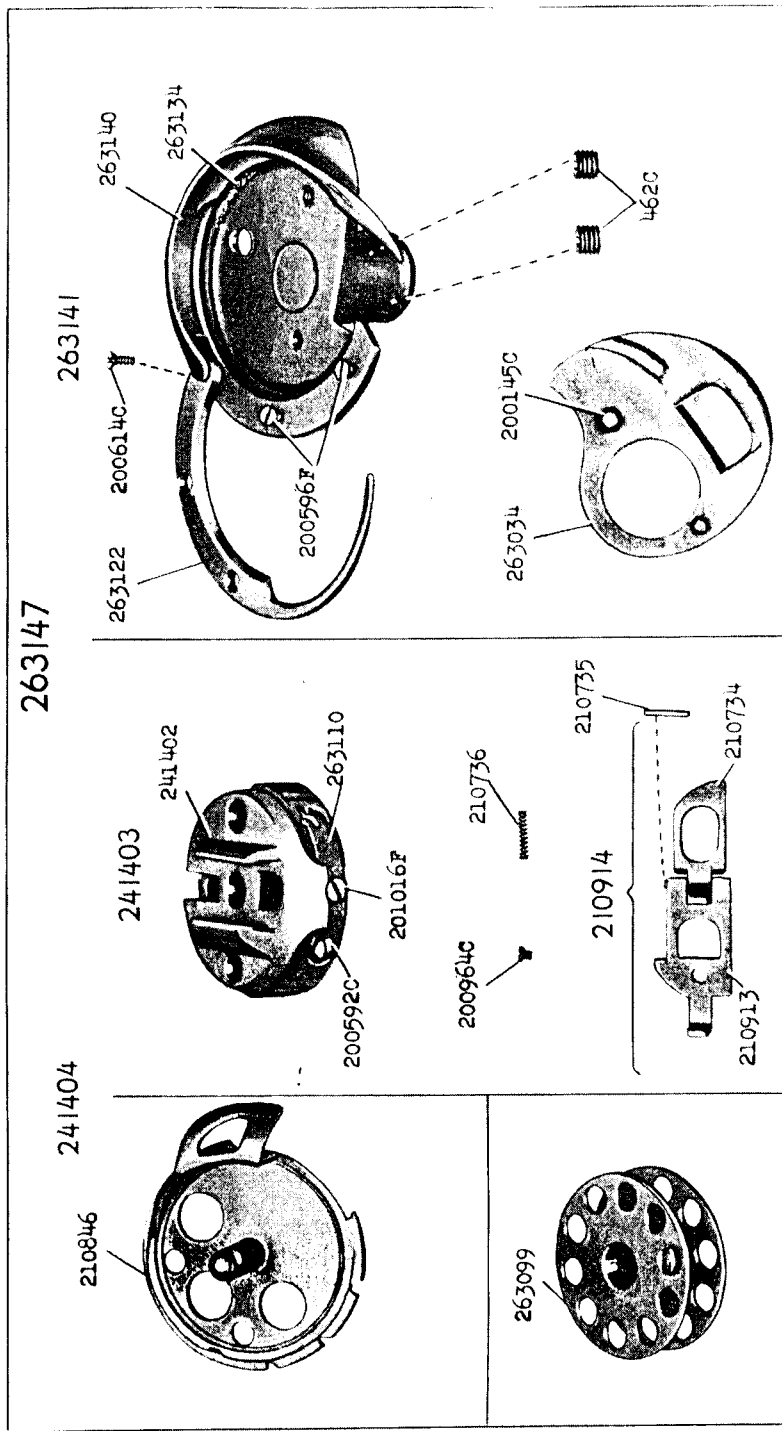




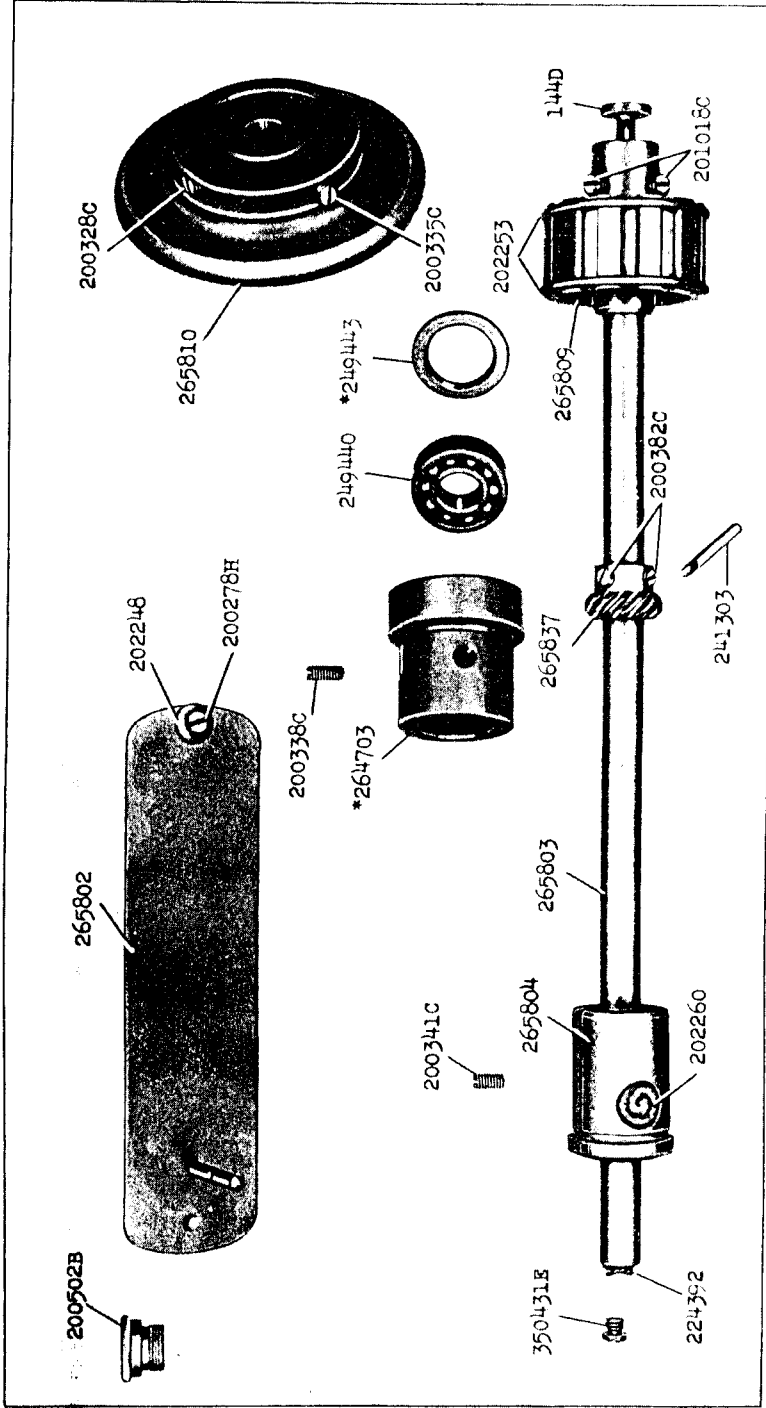
15974 - 3/8



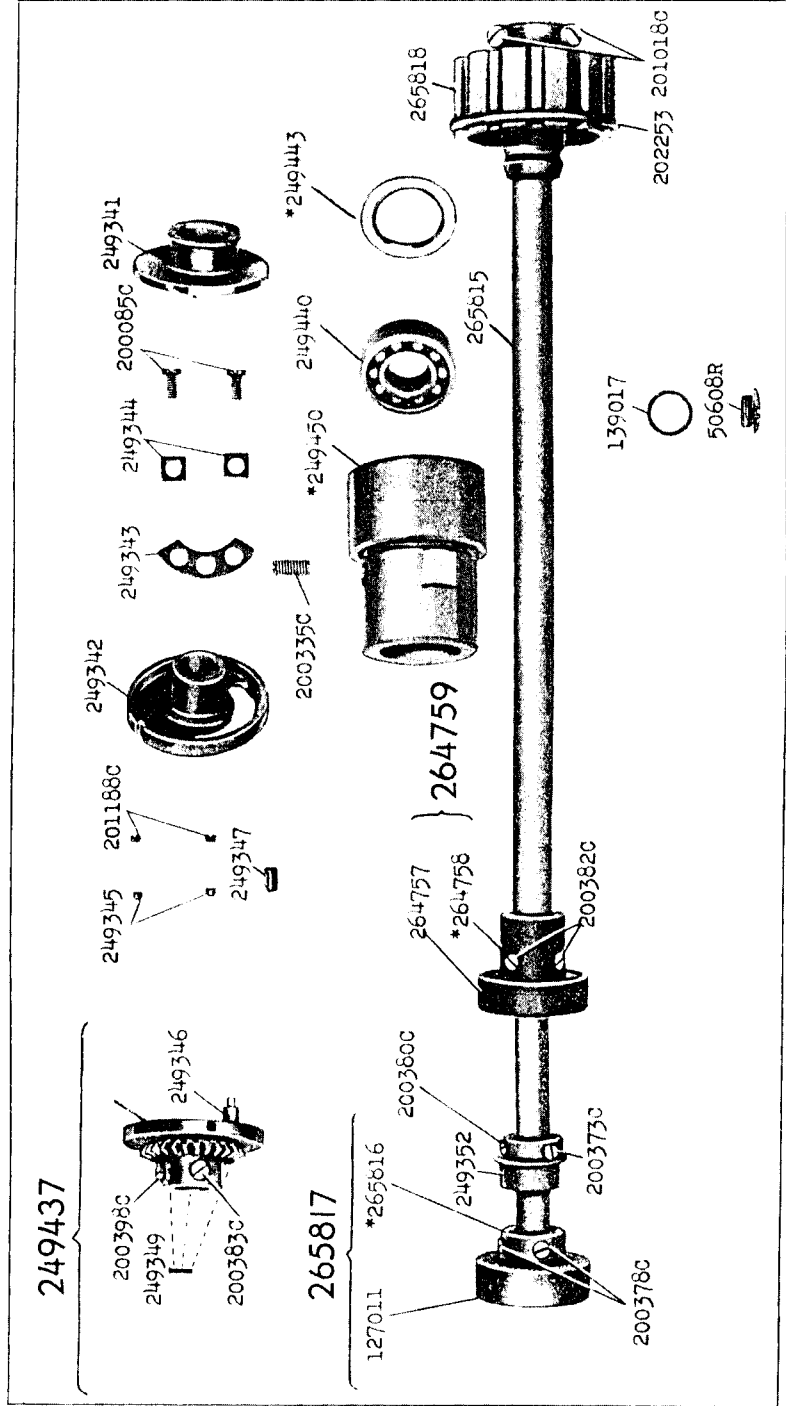
16518



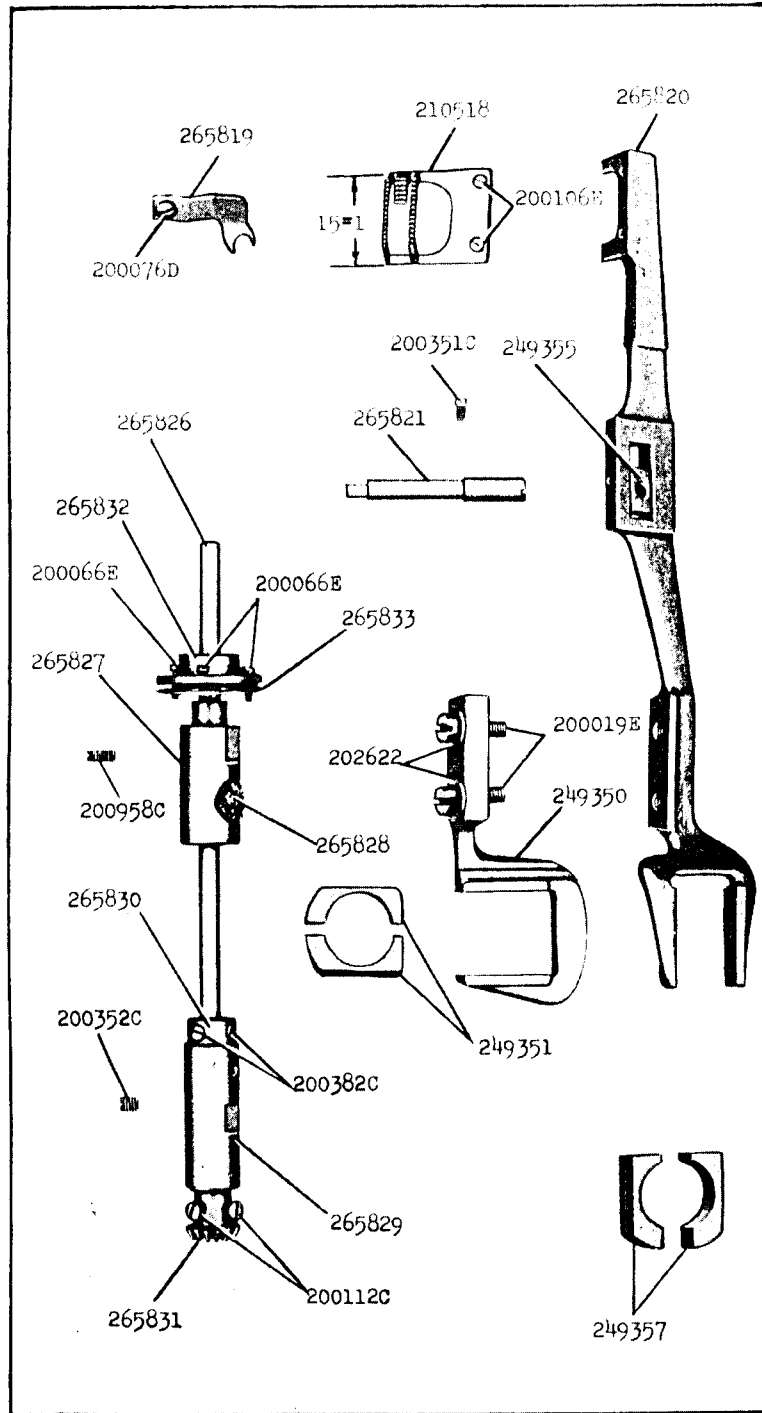
17301 - 3/8



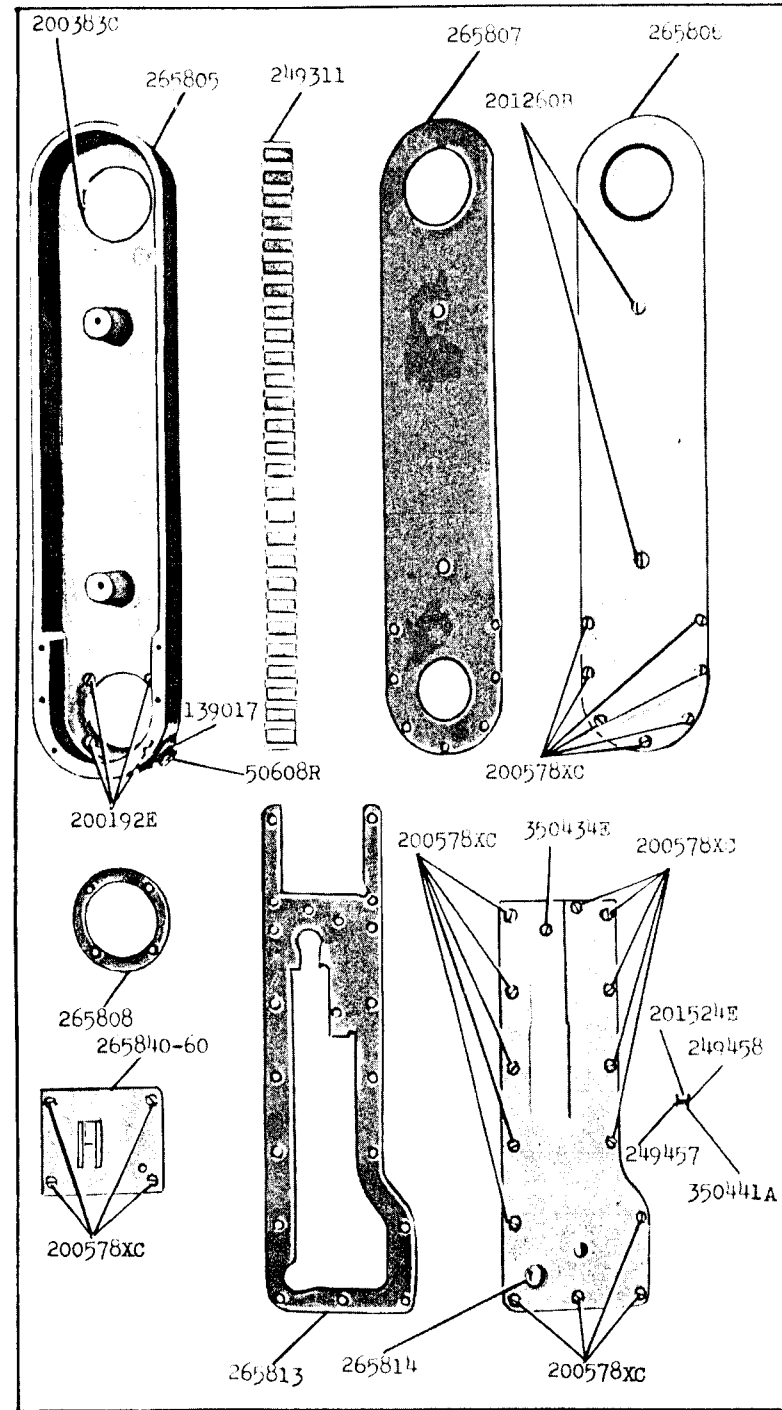
17302 - 3/8



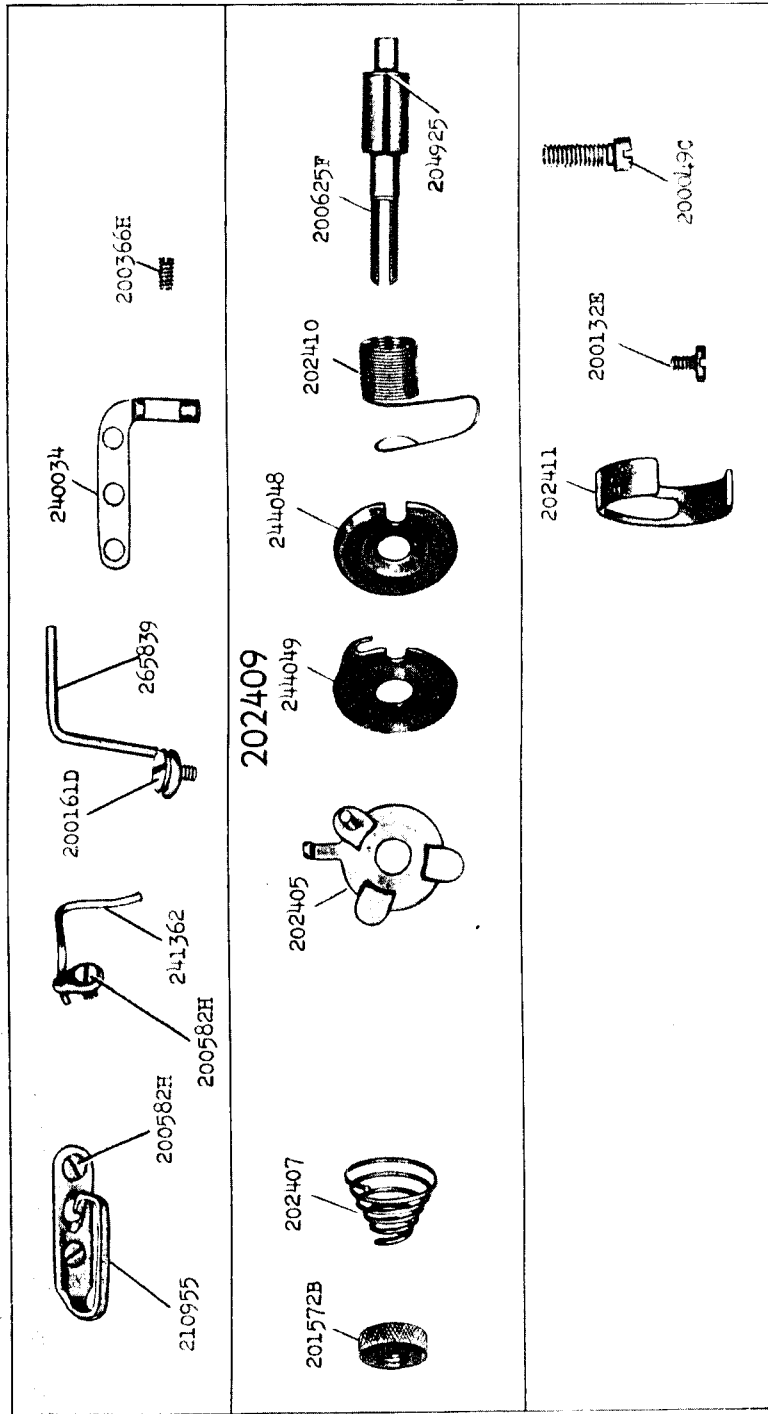
17303 - 3/8



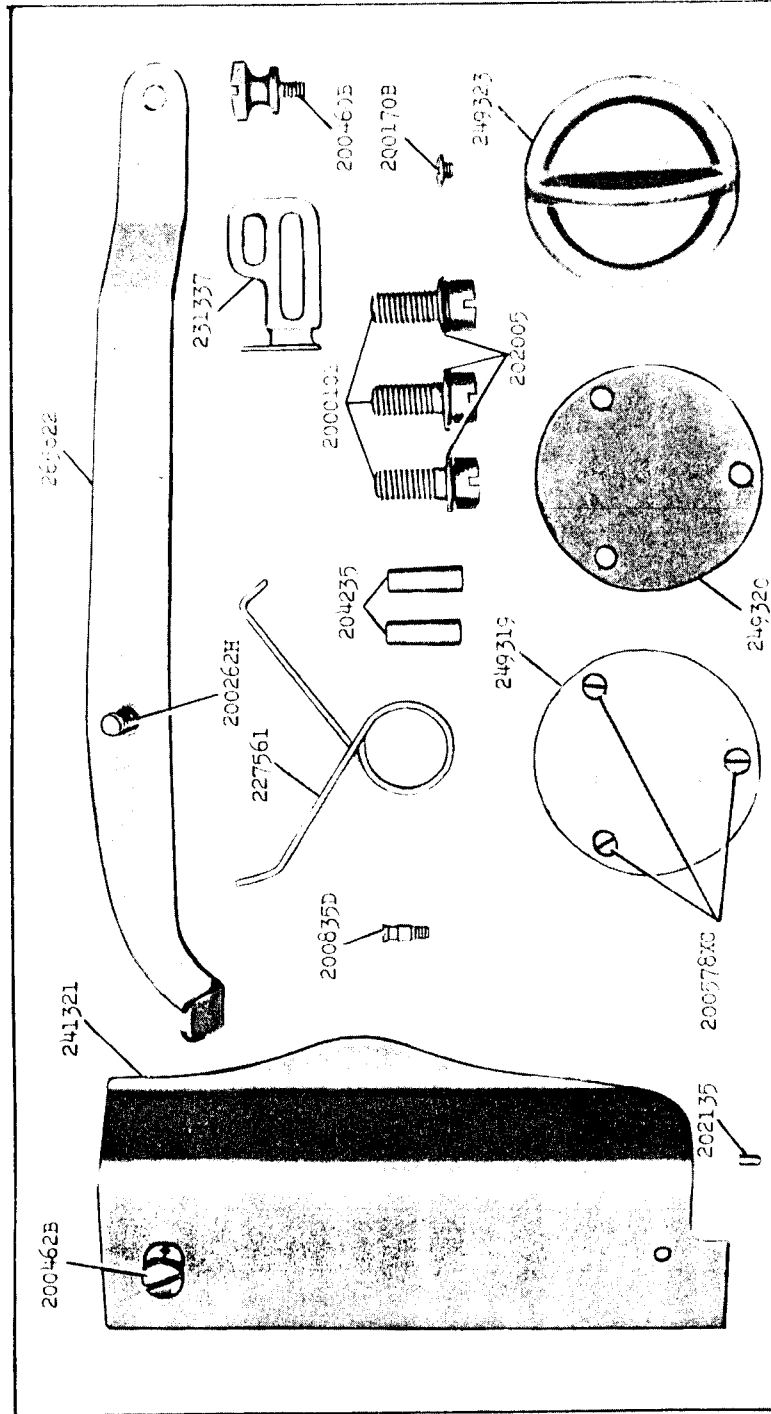
17304 - 1/5



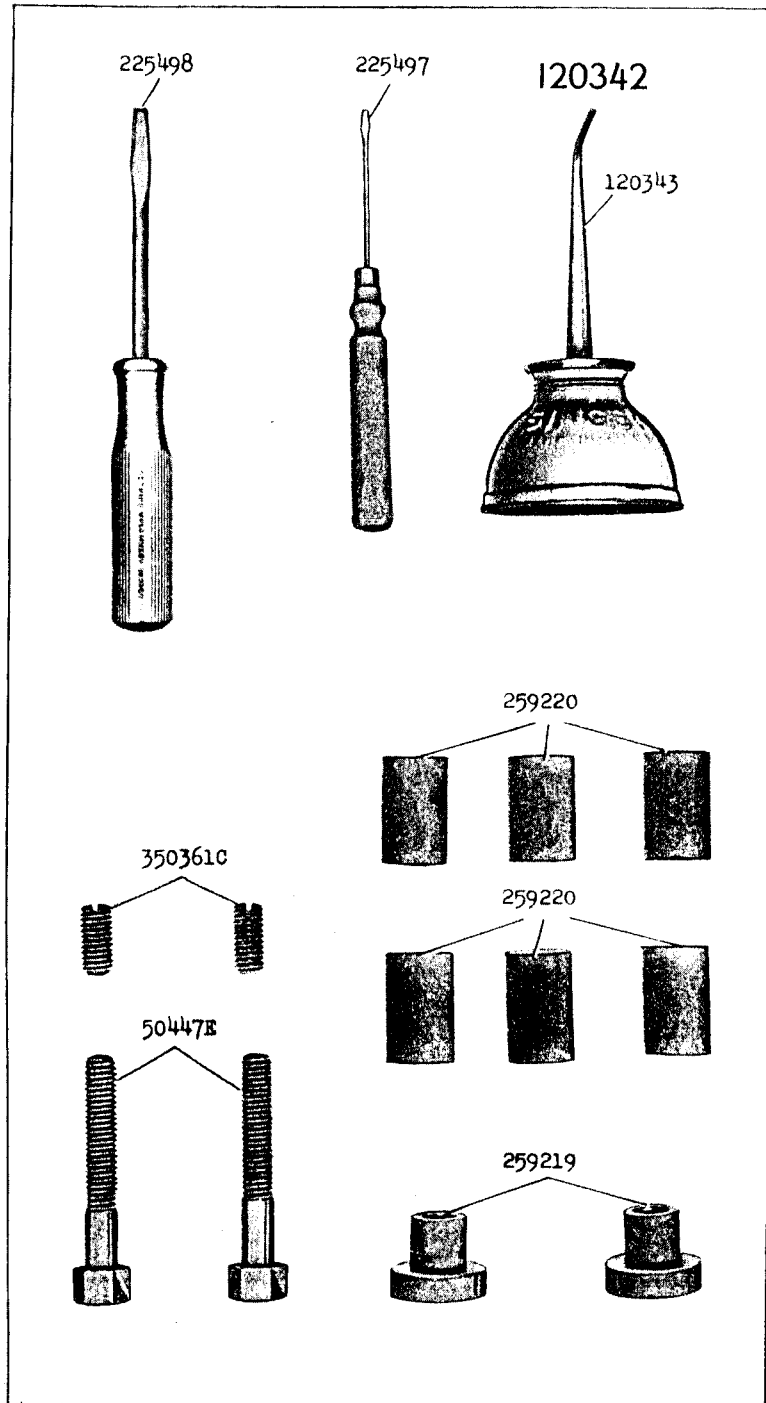
17307 - 3/4



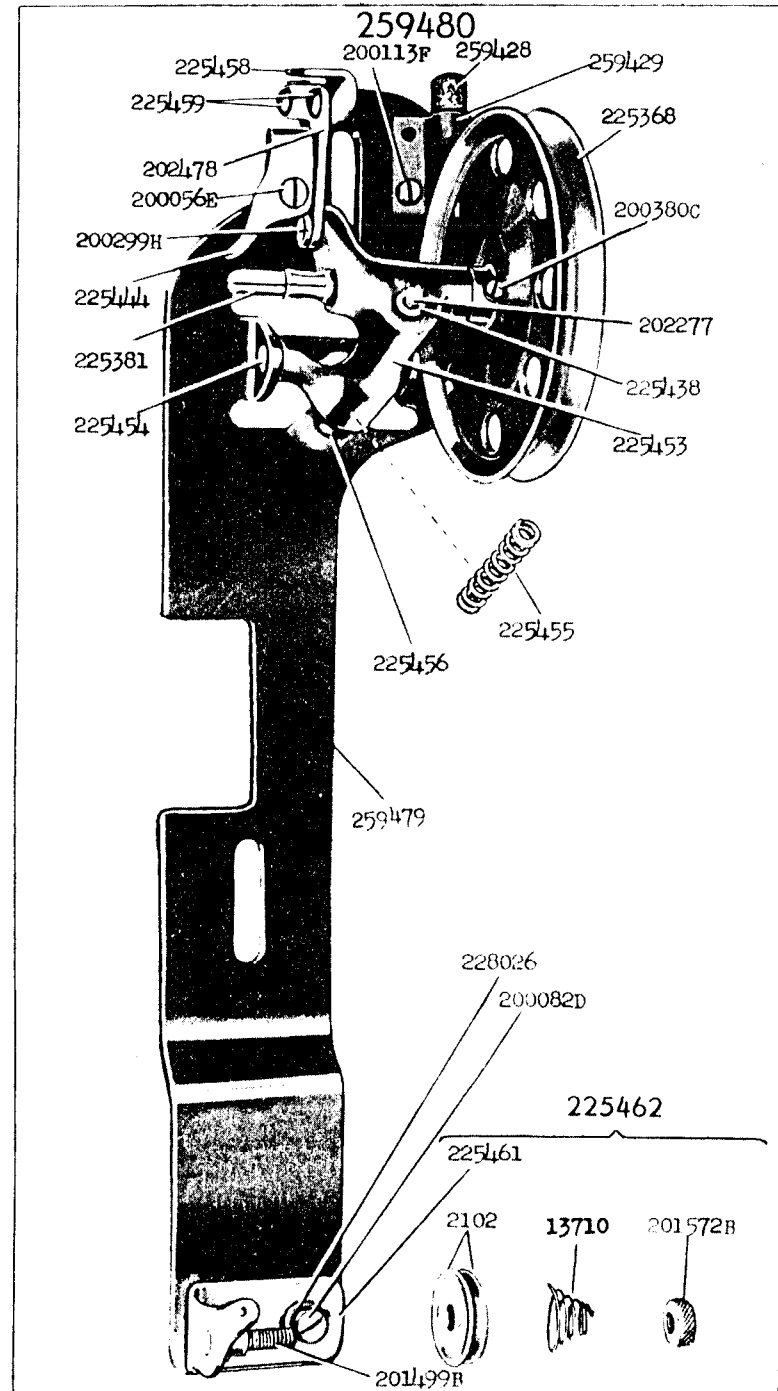
17308 - 1/2



17309 - 3/8

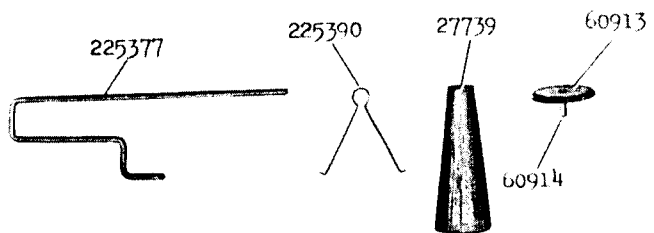
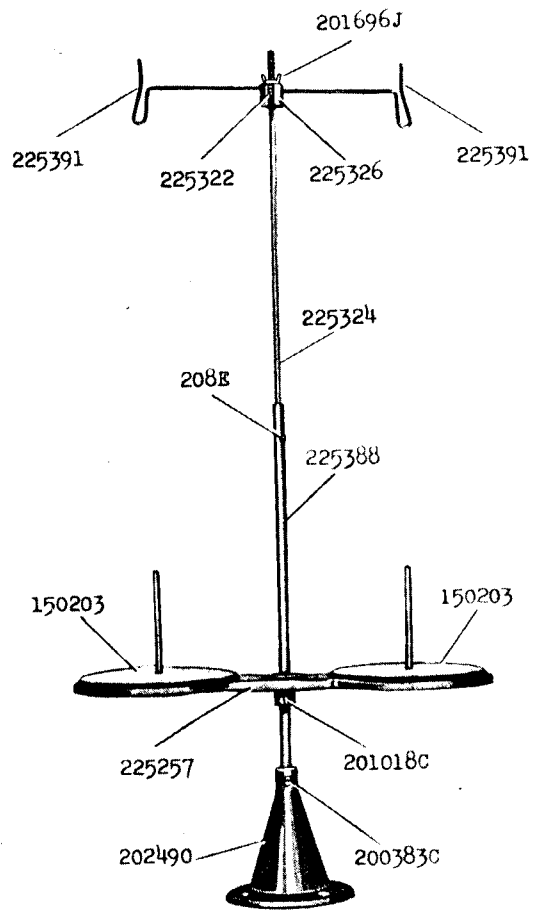


17310 - 1/2



17900 - 1/6

225258



RECEIVED  
PER  
MAR 26 1941  
SINGER SEWING MACHINE CO.  
GLOVERSVILLE, N. Y.