

Form 19245
(239)
Printed in U. S. A.

HISTORICAL COPY
DO NOT REMOVE

LIST OF PARTS



FOR FAMILY SHOPS

MACHINE No. 66-8

—
** A TRADE MARK OF

THE SINGER MANUFACTURING COMPANY

INDEX

| | Page |
|--|------|
| Accessories..... | 10 |
| Attachment Set..... | 10 |
| Bias Gauge..... | 11 |
| Bobbin Winder Parts..... | 10 |
| Braider..... | 11 |
| Chart for Series 4 Motors..... | 18 |
| Controllers..... | 19 |
| Corder Bow..... | 11 |
| Darning Foot (Spring)..... | 11 |
| Edge Stitcher..... | 11 |
| Embroidery Attachment (For one thread)..... | 12 |
| Embroidery Attachment (For two threads)..... | 12 |
| Feed Cover Plates..... | 13 |
| Feller..... | 13 |
| Finger Guard..... | 13 |
| Hemmers (Foot)..... | 14 |
| Hemstitcher..... | 14 |
| Hemstitching and Picoting Attachment..... | 14 |
| Machine No. 66-8..... | 5 |
| Motor Parts..... | 18 |
| Needle Threader (Universal)..... | 15 |
| Numerical List of Parts..... | 21 |
| Presser Foot with Graduated Adjustable Guides..... | 15 |
| Presser Feet..... | 16 |
| Quilter..... | 17 |
| Replacement Parts for Hemstitching and Picoting Attachment No. 121387..... | 14 |
| Ruffler..... | 17 |
| Ruffler Shirring Plate (Universal)..... | 17 |
| Spotlight..... | 20 |
| Spotlight Lamp..... | 20 |
| Tubular Trimming Attachment..... | 17 |
| Under Braider..... | 17 |

INSTRUCTIONS FOR ORDERING

In ordering from this list, use ONLY the part NUMBER in the FIRST column.

The number stamped on a Sewing Machine Part is in every case the number of the single part only.

Every combination of parts sent out as such has its specific number, which, although not stamped on the parts, must be used when ordering the combination.

Each number always indicates the SAME PART in whatever list it appears, or for whatever machine.

The letters after some of the numbers indicate the style of finish only, as follows:

- A-Hardened, Polished, Nickel Plated and Buffed
- A.A-Buffed and Chromium Plated
- A.B-Hardened, Polished, Buffed and Chromium Plated
- B-Polished, Nickel Plated and Buffed
- C-Hardened Only
- C.R-Hardened and Merlized
- D-Polished Only
- E-Soft, Not Polished
- F-Hardened and Polished
- F.J-Hardened, Polished and Nickel Plated
- G-Bright Rumbled and Nickel Plated
- H-Blued
- J-Nickel Plated Only
- K-Hardened and Nickel Plated
- L-Brass Plated
- M-Oxidized
- N-Japanned, Dull
- P-Japanned, Bright
- P.P-Wrinkle Finish
- R-Merlized
- S-Cadmium Plated
- T-Copper Plated
- T.A-Hardened, Polished, Copper and Nickel Plated and Buffed
- T.B-Copper and Nickel Plated and Polished
- T.J-Copper and Nickel Plated Only
- T.K-Hardened, Copper and Nickel Plated
- T.L-Copper and Brass Plated
- T.M-Copper Plated and Oxidized
- U-Zinc Plated
- V-Silver Plated
- W-Polished and Nickel Plated
- X-Black Oxide, for Iron and Steel
- X.C-Hardened and Black Oxide, for Iron or Steel
- Y-Black Nickel Plated Only
- Z-Chromium Plated
- Z.A-Hardened, Polished, Nickel Plated, Buffed and Chromium Plated
- Z.B-Polished, Nickel Plated, Buffed and Chromium Plated
- Z.C-Hardened and Chromium Plated
- Z.D-Polished and Chromium Plated
- Z.G-Bright Rumbled, Nickel Plated, Bright Rumbled and Chromium Plated
- Z.J-Nickel and Chromium Plated
- Z.T-Copper and Chromium Plated

These letters MUST BE USED when they appear in the list; and AFTER the number as in the list.

In this series:

1 to 1500, 50001 to 51500 and 140001 to 142000

are Screw Numbers

1501 to 1800 and 51501 to 51800 are Nut Numbers

1801 to 2000 and 51801 to 52000 are Roller Numbers

2001 to 50000 and 52001 to 140000 and 142001 to

190000 are Sewing Machine Parts, 190001 and upward

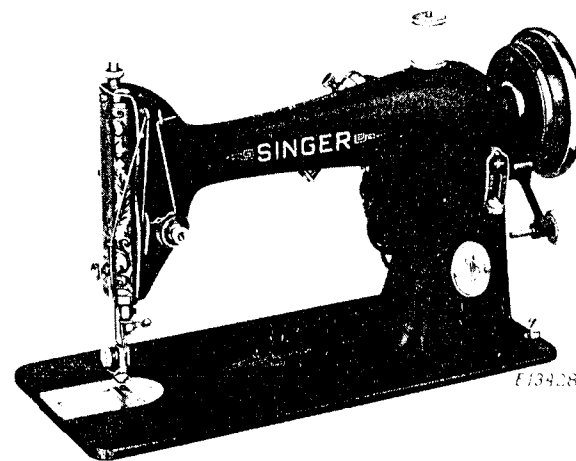
are numbers of Electrical Parts.

The figures in the second column refer only to the plates, illustrating the parts, and are NOT TO BE USED in ordering.

Parts marked with an asterisk (*) are furnished only when repairs are made at factory.

LIST OF PARTS COMPLETE

FOR



MACHINE No. 66-8

FOR FAMILY USE. SERIES 4 MOTORS,
SPOTLIGHT AND KNEE CONTROL

| No. | Plate | Name |
|--------|-------|------------------------------------|
| *32684 | ---- | Arm with 45773 and two 15405..... |
| 4389 | 9671 | " Dowel Pin..... |
| 32683 | 9670 | " Oil Tube, for oiling 32679..... |
| 32676 | 9670 | " Rock Shaft with 50571E..... |
| 32682 | ---- | " " " 32676 with 1216C and 1520J |
| 50571E | 9670 | " " " Adjusting Screw..... |
| 8204 | 9670 | " " " Center (upper)..... |
| 301C | 9670 | " " " Screw Center (lower)..... |
| 55516 | ---- | " " " " " 301C with 1508J |
| 1508J | 9670 | " " " " " (lower) Nut.... |
| 649E | 9671 | " Screw..... |
| 32677 | 9670 | " Shaft..... |
| 32678 | ---- | " " 32677 with 32679 and 32680.... |
| 32681 | ---- | " " 32678 with 32503 and 32517.... |
| 32503 | 9670 | " " Bushing..... |
| 443A | 9670 | " " " Set Screw..... |
| 32679 | 9670 | " " Slide Block (two pieces)..... |
| 32680 | 9670 | " " " Retaining Clip.... |
| 32633 | 9670 | " Side Cover (embossed)..... |

| No. | Plate | Name |
|--------|-------|--|
| 51224B | 9670 | Arm Side Cover Thumb Screw..... |
| 2007 | 9670 | " Spool Pin..... |
| 8879 | 9670 | " " " Washer (cloth)..... |
| 32672 | 9670 | Balance Wheel, 3 1/4 in. pulley..... |
| *32685 | ---- | Bed..... |
| 256B | 9670 | Clamp Stop Motion Clamp Screw..... |
| 248A | 9670 | " " " " Stop Screw..... |
| 2020 | 9670 | " " " " Washer..... |
| 32753 | 9670 | " " " Flanged Bushing..... |
| 32754 | ---- | " " " " " 32753 with 256B..... |
| 1148C | 9670 | Clamp Stop Motion Flanged Bushing Set Screw..... |
| 32506 | 9672 | Face Plate with 32630..... |
| 107B | 9672 | " " " Screw..... |
| 32755 | 9672 | " " " Thread Guard..... |
| 32630 | ---- | " " " " 32755 with 125424 |
| 125424 | 9672 | " " " " Rivet..... |
| 51224B | 9672 | " " " Thumb Screw..... |
| 32507 | 9671 | Feed Bar with 1944..... |
| 1944 | 9671 | " " " Roller and Stud..... |
| 315C | 9671 | " " " Screw Center..... |
| 15445 | ---- | " " " " 315C with 1519J... |
| 1519J | 9671 | " " " " Nut..... |
| 32562 | 9670 | " Cam with 1285C..... |
| 1285C | 9670 | " " " Set Screw..... |
| 32600 | 9672 | " Dog, 12 teeth (16 teeth to the inch) for 32602..... |
| 191C | 9672 | Feed Dog Screw..... |
| 32620 | 9670 | " Forked Connection with 175J..... |
| 175J | 9670 | " " " Clamping Screw... |
| 32624 | ---- | " " " " 32620 with 1832.. |
| 1381C | 9670 | " " " " Hinge Screw (eccen- tric)..... |
| 1520J | 9670 | Feed Forked Connection Hinge Screw Nut.. |
| 1832 | 9670 | " " " " Roller with 1085E |
| 1085E | 9670 | " " " " " Screw Stud |
| 32510 | 9671 | " Raising Bar with 1944..... |
| 32638 | 9671 | " " " " 32510 with 1301C..... |
| 1301C | 9671 | " " " " Hinge Screw..... |
| 1944 | 9671 | " " " " Roller and Stud..... |
| 32688 | 9670 | " Regulator..... |
| 8217 | 9670 | " " " Friction Washer..... |
| 51295E | 9670 | " " " Hinge Screw..... |
| 32581 | 9671 | " Rock Shaft..... |
| 307C | 9671 | " " " " Screw Center..... |
| 56814 | ---- | " " " " " 307C with 1513J..... |
| 1513J | 9671 | Feed Rock Shaft Screw Center Nut..... |

| No. | Plate | Name |
|--------|-------|--|
| 51045C | 9671 | Machine Hinge Connection Set Screw..... |
| 32689 | 9673 | Needle Bar with 32519..... |
| 66558 | 9673 | " " " Bushing..... |
| 66655 | ---- | " " " " 66558 with 665J and 66639..... |
| 1133E | 9673 | Needle Bar Bushing Set Screw..... |
| 32691 | 9673 | " " " Connecting Link with 66559... |
| 32692 | ---- | " " " " " 32691 with 1130E and 32578..... |
| 1130E | 9673 | Needle Bar Connecting Link Cap Screw.... |
| 66559 | 9673 | " " " " Stud with 1353C... |
| 1353C | 9673 | " " " " " Set Screw.... |
| 32517 | 9670 | " " " Crank with 1036C and 1134C .. |
| 1134C | 9670 | " " " " Position Screw..... |
| 21360 | 9673 | " " " Hole Plug..... |
| 66639 | 9673 | " " " Thread Guard..... |
| 665J | 9673 | " " " " " Screw..... |
| 66561 | 9673 | " " " Timing Gauge..... |
| 2054 | 9673 | " Clamp with 552C..... |
| 552C | 9673 | " " " Thumb Screw..... |
| 32519 | 9673 | " Stop Pin..... |
| 32520 | 9674 | Oscillating Hook..... |
| 32656 | 9671 | " " " Bell Crank..... |
| 32657 | ---- | " " " " " 32656 with 50561C..... |
| 50561C | 9671 | Oscillating Hook Bell Crank Hinge Screw. |
| 32522 | 9674 | " " " Bobbin..... |
| 32590 | 9674 | " " " " Case with 1172F, 1173D and 32567..... |
| 32661 | 9674 | Oscillating Hook Bobbin Case Cushion Spring..... |
| 662D | 9674 | Oscillating Hook Bobbin Case Cushion Spring Screw..... |
| 32659 | 9674 | Oscillating Hook Bobbin Case Position Bracket..... |
| 32662 | 9674 | Oscillating Hook Bobbin Case Position Bracket Hinge Stud..... |
| 50611J | 9674 | Oscillating Hook Bobbin Case Position Bracket Hinge Stud Set Screw..... |
| 32663 | 9674 | Oscillating Hook Bobbin Case Position Bracket Latch..... |
| 50579D | 9674 | Oscillating Hook Bobbin Case Position Bracket Latch Screw..... |
| 32598 | 9674 | Oscillating Hook Bobbin Case Position Bracket Oil Pad (felt)..... |
| 32599 | 9674 | Oscillating Hook Bobbin Case Position Bracket Oil Pad Holder..... |
| 32660 | 9674 | Oscillating Hook Bobbin Case Position Bracket complete, Nos. 662D, 32528, 32598, 32599, 32659, 32661 to 32664, 50579D and 50580E..... |

| No. | Plate | Name |
|---------|-------|---|
| 1172F | 9674 | Oscillating Hook Bobbin Case Tension Regulating Screw..... |
| 32567 | 9674 | Oscillating Hook Bobbin Case Tension Spring..... |
| 1173D | 9674 | Oscillating Hook Bobbin Case Tension Spring Screw..... |
| 32664 | 9674 | Oscillating Hook Bobbin Ejector..... |
| 50580E | 9674 | " " " " Hinge Screw Stud..... |
| 32528 | 9674 | Oscillating Hook Bobbin Ejector Spring.. |
| 32529 | 9674 | " " Connecting Link..... |
| 1132C | 9674 | " " " " Hinge Screw..... |
| 32594 | 9674 | Oscillating Hook Crank with 1485J..... |
| 1485J | 9674 | " " " Clamping Screw... |
| 32531 | 9671 | " " Pitman with two 175J... |
| 175J | 9671 | " " " Adjusting Screw. |
| 44C | 9671 | " " " Screw Stud (left) |
| 1216C | 9670 | " " " " " (right) |
| 216C | 9670 | " " " " " " " |
| | | Cap Screw..... |
| 1520J | 9670 | Oscillating Hook Pitman Screw Stud (right) Nut..... |
| 32569 | 9672 | Oscillating Hook Slide..... |
| 32570 | 9672 | " " " Friction Spring.. |
| 226J | 9672 | " " " " " " |
| | | Screw..... |
| 32693 | 9673 | Presser Bar..... |
| 32535 | 9673 | " " Guide Bracket with 400K and 453C..... |
| 400K | 9673 | Presser Bar Guide Bracket Adjusting Screw..... |
| 453C | 9673 | Presser Bar Guide Bracket Set Screw..... |
| 66564 | 9673 | " " Lifter..... |
| 85E | 9673 | " " " Screw..... |
| 32675 | 9673 | " " Spring..... |
| 2070 | 9673 | " " " Washer..... |
| 32666 | 9673 | " Foot..... |
| 51224B | 9673 | " " Thumb Screw..... |
| 263B | 9673 | Pressure Regulating Thumb Screw..... |
| 32621 | 9673 | Slack Thread Regulator..... |
| 219E | 9673 | " " " Screw..... |
| 32752 | 9670 | Stitch Indicator Plate..... |
| 140202S | 9670 | " " " Screw..... |
| 2102 | 9672 | Tension Disc..... |
| 1560B | 9672 | " Regulating Thumb Nut..... |
| 32572 | 9672 | " Releasing Disc..... |
| 32573 | 9673 | " " Lever..... |
| 97E | 9673 | " " " Hinge Screw..... |

| No. | Plate | Name |
|--------|-------|--|
| 12329 | 9673 | Tension Releasing Lever Spring..... |
| 32574 | 9672 | " " Pin..... |
| 1274W | 9672 | " Screw Stud..... |
| 8238 | 9672 | " Spring..... |
| 32654 | 9672 | Tension complete, Nos. 1274W, 1560B, 8238, 32572, 32574 to 32576 and two 2102.. |
| 8422 | 9672 | Thread Guard (head of arm)..... |
| 32578 | 9673 | " Take-up Crank..... |
| 1036C | 9670 | " " " Set Screw..... |
| 32541 | 9673 | " " Lever..... |
| 32542 | ---- | Thread Take-up Lever complete, Nos. 32541, 32543 and 32544..... |
| 32696 | ---- | Thread Take-up Lever 32542 with 1131C and 32692..... |
| 32543 | 9673 | Thread Take-up Lever Hinge Stud..... |
| 32544 | 9673 | " " " Link..... |
| 1131C | 9673 | " " " Hinge Screw... |
| 32575 | 9672 | " " Spring..... |
| 32576 | 9672 | " " " Regulator..... |
| 453C | 9672 | " " " Set Screw |
| 32602 | 9672 | Throat Plate for 32600..... |
| 691A | 9672 | " " Screw..... |
| *45773 | ---- | Trade Mark..... |
| 15405 | ---- | " " Rivet..... |

SINGER Needles should be used
in SINGER Machines.
These Needles and their Containers
are marked with the
Company's Trade Mark "SIMANCO.***" 1

Needles in Containers marked
"FOR SINGER MACHINES"
are NOT **SINGER** made needles. 2

ACCESSORIES

| No. | Plate | Name |
|--------|-------|--|
| 120862 | 9675 | Oil Can, 1 1/3 fluid oz. (filled with household oil) |
| 120329 | ---- | Machine Cover..... |

ATTACHMENT SET

| No. | Plate | Name |
|--------|-------|---|
| 121461 | 9676 | Binder Folder..... |
| 121463 | 9676 | " Foot..... |
| 51104B | 9676 | " Screw..... |
| 120565 | 9676 | " " Washer..... |
| 121464 | 9676 | Binder complete, Nos. 51104B, 120565, 121461 and 121463..... |
| 32522 | 9676 | Bobbin (five)..... |
| 25527 | 9676 | Cloth Guide..... |
| 50053B | 9676 | " " Thumb Screw..... |
| 35931 | 9676 | Hemmer (adjustable)..... |
| 120842 | 9676 | " (foot) 5/64 in. hem..... |
| ----- | | |
| 25537 | 9676 | Screw Driver (machine)..... |
| 120378 | 9676 | " " (shuttle tension)..... |
| 8979 | 9676 | Spool Pin Washer (cloth)..... |
| 36583 | 9676 | Tucker..... |
| 120359 | ---- | Attachment Set, Nos. 8879, 25527, 25537, 35931, 36583, 50053B, 120378, 120842, 121464, five 32522 and six needles.. |
| 120598 | 9676 | Ruffler for one, six and twelve stitch ruffling..... |
| 120607 | 9676 | Attachment Set complete, Nos. 120359 and 120598..... |

BOBBIN WINDER PARTS

| No. | Plate | Name |
|---------|-------|-------------------------------------|
| 32697 | 9670 | Bracket..... |
| 32698 | 9670 | " 32697 with 15287, 15288 and 32699 |
| 140195J | 9670 | " Hinge Screw..... |
| 176516 | 9670 | " " " Friction Washer..... |
| 15287 | 9670 | Friction Ring (rubber)..... |

BOBBIN WINDER PARTS

| No. | Plate | Name |
|-------|-------|-------------------|
| 15288 | 9670 | Pulley..... |
| 32699 | 9670 | Spindle..... |
| 32700 | 9670 | Thread Guide..... |
| 208J | 9670 | " " Screw..... |

BIAS GAUGE

| No. | Plate | Name |
|-------|-------|-----------------|
| 25525 | 9675 | Bias Gauge..... |

BRAIDER

| No. | Plate | Name |
|-------|-------|--------------------|
| 25510 | 9677 | Braider..... |
| 289B | 9677 | " Thumb Screw..... |

CORDER BOW

FOR TOP CORDING

| No. | Plate | Name |
|-------|-------|----------------------------|
| 26399 | 21382 | Corder (bow) complete..... |
| 190J | 21382 | " Screw..... |

DARNING FOOT (Spring)

| No. | Plate | Name |
|--------|-------|--|
| 121091 | 21382 | Darning Foot..... |
| 121092 | 21382 | " " Shank..... |
| 121093 | 21382 | " " Spring..... |
| 121094 | 21382 | Darning Foot (spring) complete, Nos. 121091 to 121093..... |

EDGE STITCHER

| No. | Plate | Name |
|-------|-------|--------------------|
| 36865 | 9677 | Edge Stitcher..... |

EMBROIDERY ATTACHMENT

FOR ONE THREAD

| No. | Plate | Name |
|--------|-------|---|
| 120876 | ----- | Driving Lever with 120877 and two 9859.. |
| 22232 | ----- | " " Friction Washer..... |
| 26784 | ----- | " " Hinge Stud..... |
| 26523 | ----- | " " Washer..... |
| 26524 | ----- | Frame with 26525..... |
| 26525 | ----- | " Block..... |
| 26527 | 21383 | Looper..... |
| 468C | 21383 | " Set Screw..... |
| 26528 | 21383 | Scroll with 468C..... |
| 26529 | ----- | " Carrier with 26531..... |
| 22232 | ----- | " " Friction Washer..... |
| 26530 | ----- | " " Hinge Stud..... |
| 26531 | ----- | " " Pin..... |
| 26532 | ----- | " Cover..... |
| 26533 | ----- | " Driving Lever with 26534..... |
| 26534 | ----- | " " Stud..... |
| 26535 | 21383 | Spool Pin, for Arm of Machine..... |
| 120877 | ----- | Thread Bracket..... |
| 9859 | ----- | " " Rivet..... |
| 26537 | 21383 | " Eyelet..... |
| 26785 | 21383 | " Retaining Spring..... |
| 240J | 21383 | " " Screw..... |
| 26538 | 21383 | Embroidery Attachment complete, Nos. 240J, 26523, 26524, 26527 to 26530, 26532, 26533, 26535, 26537, 26784, 26785, 120876 and two 22232..... |

EMBROIDERY ATTACHMENT

FOR TWO THREADS

| No. | Plate | Name |
|-------|-------|----------------------|
| 35483 | ----- | Body..... |
| 35484 | ----- | " Block..... |
| 12152 | ----- | " " Rivet..... |
| 35485 | ----- | Driving Lever..... |
| 35486 | ----- | " " Arm (lower)..... |
| 35487 | ----- | " " " (upper)..... |
| 35488 | ----- | " " " Guide..... |

EMBROIDERY ATTACHMENT

| No. | Plate | Name |
|--------|-------|---|
| 35489 | ----- | Driving Lever Arm Hinge Stud..... |
| 35490 | ----- | " " " Spring..... |
| 35491 | ----- | " " Hinge Stud..... |
| 35492 | ----- | Thread Carrier (left)..... |
| 35493 | ----- | " " Hinge Stud..... |
| 35494 | ----- | " " (right)..... |
| 50139B | 21383 | " " Hinge Screw..... |
| 35495 | ----- | " " Friction Plate..... |
| 35496 | 21383 | Embroidery Attachment, Nos. 190B, 12152, 35483 to 35488, 35490 to 35495, 35498, 50139B and two 35489..... |
| 190B | 21383 | Embroidery Attachment Screw..... |
| 35497 | ----- | Spool Bracket..... |
| 35498 | ----- | " " Stud..... |
| 1422B | 21383 | " " Tension Regulating Thumb Screw..... |
| 35499 | 21383 | Spool Bracket Tension Spring..... |
| 35500 | ----- | " " " Position Pin..... |
| 35500 | ----- | " " Thread Guide Pin..... |
| 35501 | ----- | " " Wire..... |
| 35502 | ----- | " " Hinge Stud..... |
| 35503 | ----- | " " " Washer.... |
| 35504 | 21383 | Spool Bracket complete, Nos. 1422B, 35497, 35499, 35502, 35503 and two each 35500 and 35501..... |
| 35505 | 21383 | Embroidery Attachment complete, Nos. 35496 and 35504..... |

FEED COVER PLATES

| No. | Plate | Name |
|-------|-------|--|
| 32622 | 9675 | Feed Cover Plate (flat top) for art work |
| 32589 | 9675 | " " " (oval top) for art work |

FELLER

| No. | Plate | Name |
|-------|-------|---------------|
| 36835 | 9677 | Feller (foot) |

FINGER GUARD

| No. | Plate | Name |
|--------|-------|-------------------|
| 121149 | 9677 | Finger Guard..... |

HEMMERS (Foot)

| No. | Plate | Name |
|--------|-------|--|
| 25904 | 9674 | Hemmer (foot) 1/16 in. hem for silk ties |
| 36333 | 9674 | " " 1/16 in. hem for chiffon and silk..... |
| 120842 | 9676 | Hemmer (foot) 5/64 in. hem..... |
| 25911 | 9674 | " " 3/32 in. hem..... |
| 25895 | 9674 | " " 1/8 in. hem for shirt work |
| 35884 | 9677 | " " 3/16 in. hem..... |
| 25893 | 9677 | " " 1/4 in. hem..... |
| 36469 | 9674 | " " for chiffon and silk slotted for lace..... |

HEMSTITCHER

| No. | Plate | Name |
|--------|-------|--|
| 120687 | 9677 | Hemstitcher with yielding Presser Plate. |

HEMSTITCHING AND PICOTING ATTACHMENT

| No. | Plate | Name |
|--------|-------|--|
| 121387 | 9678 | Hemstitching and Picoting Attachment with Attachment Screw 51347A..... |
| 51347A | 9678 | Hemstitching and Picoting Attachment Thumb Screw..... |
| 121389 | 9678 | Hemstitching and Picoting Attachment Throat Plate..... |

REPLACEMENT PARTS FOR HEMSTITCHING AND PICOTING ATTACHMENT No. 121387

| No. | Plate | Name |
|--------|-------|----------------------------|
| 121591 | 9678 | Feed Blade..... |
| 121400 | 9678 | " " Actuating Bracket..... |

HEMSTITCHING AND PICOTING ATTACHMENT No. 121387 15

| No. | Plate | Name |
|---------|-------|---------------------------------------|
| 121401 | 9678 | Feed Blade Actuating Bracket Gib..... |
| 121402 | 9678 | " " " " " Rivet.. |
| 121403 | 9678 | " " " " " Washer. |
| 121404 | 9678 | " " " " " Rivet..... |
| 121405 | 9678 | " " Extension (left)..... |
| 121406 | 9678 | " " " (right)..... |
| 121209 | 9678 | " " " Foot (rubber)..... |
| 121210 | 9678 | " " " Rivet..... |
| 121211 | 9678 | " " Position Stud..... |
| 121212 | 9678 | " " Spring..... |
| 121573 | 9678 | " Cam Lever..... |
| 140112J | 9678 | " " " Hinge Screw..... |
| 121465 | 9678 | " " " " " Nut..... |
| 121580 | 9678 | " " Shaft and Ratchet Wheel..... |
| 121592 | 9678 | Fork Arm..... |
| 121407 | 9678 | Piercer..... |
| 121408 | 9678 | " Arm..... |
| 121214 | 9678 | " " Hinge Stud..... |
| 121215 | 9678 | " " Spring..... |
| 51470A | 9678 | " Clamping Screw..... |
| 121409 | 9678 | " Holder..... |
| 121410 | 9678 | " " Adjusting Bracket..... |
| 51415H | 9678 | " " " " " Screw.. |
| 51471B | 9678 | " " " " " Screw..... |
| 121582 | 9678 | Ratchet Wheel Pawl..... |
| 121583 | 9678 | " " " Rivet..... |
| 121275 | 9678 | " " " Spring..... |
| 121221 | 9678 | " " " " Rivet..... |

NEEDLE THREADER (Universal)

| No. | Plate | Name |
|---------|-------|----------------------------------|
| 121541 | 9675 | Needle Threader (universal)..... |
| 121424 | 9675 | " " " Hook..... |
| 140157J | 9675 | " " " " Screw..... |

PRESSER FOOT WITH GRADUATED ADJUSTABLE GUIDES

| No. | Plate | Name |
|--------|-------|------------------------------|
| 121717 | 9675 | Presser Foot for 121718..... |
| 35002 | 9675 | " " Extension..... |

16 PRESSER FOOT WITH GRADUATED ADJUSTABLE GUIDES

| No. | Plate | Name |
|--------|-------|--|
| 35003 | 9675 | Presser Foot Graduated Adjustable Guide (long, left)..... |
| 35004 | 9675 | Presser Foot Graduated Adjustable Guide (long, right)..... |
| 35005 | 9675 | Presser Foot Graduated Adjustable Guide (short, right)..... |
| 35006 | 9675 | Presser Foot Graduated Adjustable Guide (short, right) flush..... |
| 35135 | 9675 | Presser Foot Graduated Adjustable Guide Clamp..... |
| 35206 | 9675 | Presser Foot Graduated Adjustable Guide Clamp Lever..... |
| 337D | 9675 | Presser Foot Graduated Adjustable Guide Clamp Screw..... |
| 36696 | 9675 | Presser Foot Graduated Adjustable Guide Clamp Steady Pin..... |
| 121718 | 9675 | Presser Foot with Extension and Graduated Adjustable Guides complete, Nos. 337D, 35002 to 35006, 35135, 35206, 36696 and 121717..... |

PRESSER FEET

| No. | Plate | Name |
|---|-------|--|
| 15429 | 9677 | Presser Foot (left toe) for stitching on edge and inserting braid..... |
| 125035 | 9677 | Presser Foot (right toe) for stitching on edge and inserting braid..... |
| 28831 | 9674 | Presser Foot for darning..... |
| 121614 | 9677 | " " with 51282J and 121615 for blind stitch braiding for soutache braid..... |
| 121615 | 9677 | Presser Foot Braid Guide..... |
| Note: When ordering Nos. 121614 or 121615, send sample of braid for which it is required. | | |
| 51282J | 9677 | Presser Foot Braid Guide Screw..... |
| 36058 | 9677 | " " with 665B and 36059, for blind stitch cording to turn small curves..... |
| 36059 | 9677 | Presser Foot Cord Guide..... |
| Note: When ordering Nos. 36058 or 36059, send sample of cord for which it is required. | | |
| 665B | 9677 | Presser Foot Cord Guide Screw..... |
| 36067 | 9677 | " " for braiding for art work for braid 1/16 in. to 3/16 in. wide. |
| Note: In ordering number 36067, state the size or send a sample of the braid for which it is required | | |

PRESSER FEET

17

| No. | Plate | Name |
|--------|-------|--|
| 25978 | 9677 | Presser Foot (single toe) for gathering. |
| 121441 | 9677 | " " (double toe) for gathering. |

QUILTER

| No. | Plate | Name |
|-------|-------|--------------|
| 35932 | 9677 | Quilter..... |

RUFFLER

| No. | Plate | Name |
|--------|-------|--|
| 120598 | 9676 | Ruffler for one, six and twelve stitch ruffling..... |

RUFFLER SHIRRING PLATE (Universal)

| No. | Plate | Name |
|--------|-------|---|
| 121170 | 21382 | Ruffler Shirring Plate (universal) with 51395W..... |
| 51395W | 21382 | Ruffler Shirring Plate Thumb Screw..... |

TUBULAR TRIMMING ATTACHMENT

| No. | Plate | Name |
|--------|-------|--|
| 35018 | 21382 | Strip Delivery Blade..... |
| 120824 | 21382 | " Wire..... |
| 35984 | 21382 | Presser Foot (strip folding) with tube.. |
| 35985 | 21382 | Tubular Trimming Attachment complete, for making 3/32 in., 1/8 in., and 5/32. trimmings, Nos. 35018, 35984 and 120824..... |

Note: When ordering No. 35985, state size required.

UNDER BRAIDER

| No. | Plate | Name |
|--------|-------|--------------------|
| 121547 | 21382 | Under Braider..... |
| 25637 | 21382 | " " Foot..... |

CHART FOR SERIES 4 MOTORS

| Volts | Cycles | Amperes | Motor Catalog No. |
|---------|-------------------------------|---------|-------------------|
| 32 | D.C. | 1.5 | 4-32 |
| 50 | D.C. and 25 to 75 Cycles A.C. | 1.0 | 4-50 |
| 95-100 | D.C. and 25 to 75 Cycles A.C. | .7 | 4-100 |
| 100-110 | D.C. and 25 to 75 Cycles A.C. | .65 | 4-110 |
| 115-125 | D.C. and 25 to 75 Cycles A.C. | .6 | 4-125 |
| 100-110 | 80 to 100 Cycles A.C. | .75 | 4-118 |

MOTOR PARTS

| No. | Plate | Name |
|---------|-------|--|
| 194901 | ---- | Armature complete for 4-32 Motor..... |
| 194902 | ---- | " " " 4-50 Motor..... |
| 194900 | 9680 | " " " 4-100 and 4-110 Motors..... |
| 194909 | ---- | Armature complete for 4-118 Motor..... |
| 194903 | ---- | " " " 4-125 Motor..... |
| 191097 | 9680 | " Shaft Thrust Washer (fibre)... |
| 191098 | 9680 | " " " (peerless paper)..... |
| 193077 | 9680 | Belt (moulded)..... |
| 192457 | 9680 | Brush (carbon) for 4-32, 4-50, 4-100, 4-110, 4-118 and 4-125 Motors..... |
| 193543 | 9680 | Brush Cap..... |
| 192458 | 9680 | " Spring..... |
| 194113 | 9680 | " Tube..... |
| 193546 | 9680 | " " Insulating Bushing (moulded) |
| 50518C | 9680 | " " " " Set Screw |
| *193536 | ---- | Commutator complete..... |
| 194819 | 9680 | End Cover (commutator end) with Shaft Bearing Sleeve..... |
| 194818 | 9680 | End Cover (pulley end) with Shaft Bearing Sleeve..... |
| 51366R | 9680 | End Cover Screw..... |
| 194728 | ---- | Field Coil complete for 4-32 Motor.... |
| 194731 | ---- | Field Coil complete for 4-50 Motor.... |
| 194734 | ---- | Field Coil complete for 4-100 Motor.... |
| 194737 | 9680 | Field Coil complete for 4-110 Motor.... |
| 194755 | ---- | Field Coil complete for 4-118 Motor.... |
| 194740 | ---- | Field Coil complete for 4-125 Motor.... |

MOTOR PARTS

| No. | Plate | Name |
|---------|-------|---|
| 192424 | 9680 | Field Coil Retainer..... |
| 193879 | 9680 | Field Core complete..... |
| 193881 | 9680 | Grease Cup..... |
| 194097 | 9680 | " " Wick (felt)..... |
| 194104 | ---- | " " " 194097 with 193527..... |
| 193527 | 9680 | " " " Spring..... |
| 194716 | 9680 | Lead Cord (8 ft. long) complete, from Terminal Box to Socket..... |
| 876363 | 9680 | Lead Connector (large)..... |
| 965105 | 9680 | " " (small)..... |
| 931306 | 9680 | " Grommet (fibre)..... |
| 194717 | 9680 | " Strain Relief..... |
| 50632C | 9680 | Motor Screw..... |
| 190058 | 9680 | " " Retaining Washer (fibre).... |
| 191417 | 9680 | " " Washer..... |
| 899910 | 9680 | Name Plate and Core Shield for 4-110 Motor..... |
| 899911 | ---- | Name Plate and Core Shield for all Motors except 4-110 Motor..... |
| 190087 | 9680 | Pulley..... |
| 190086 | ---- | " 190087 with 460C..... |
| 460C | 9680 | " Set Screw..... |
| 194702 | 9680 | Terminal Box Cover..... |
| 140202R | 9680 | " " " Screw..... |
| 194766 | 9680 | " " Insulation..... |
| 190439 | ---- | Tube, filled with Singer Motor Lubricant |
| 190613 | 9680 | " 190439 with 190612..... |
| 190612 | ---- | " Carton (paper)..... |

CONTROLLERS

CONVERTIBLE FOR FOOT OR KNEE CONTROL

| No. | Plate | Name |
|--------|-------|---|
| 194830 | 9679 | Controller complete, convertible for Foot or Knee Control, for 32 to 55 volts, A.C. or D.C. Motor..... |
| 194831 | ---- | Controller complete, convertible for Foot or Knee Control, for 95 to 125 volts, A.C. or D.C. Motor..... |
| 136244 | 9679 | Controller Holder with two wood screws 1/2 in. No. 7 R.H..... |
| 194836 | 9679 | Controller Lead 39 1/2 in. long (from Controller to Terminal Box)..... |
| 194711 | 9679 | Controller Lead Bushing (black fibre)... |
| 194712 | 9679 | " " " Clip..... |

SPOTLIGHT

| No. | Plate | Name |
|---------|-------|---|
| *194709 | ---- | Spotlight with Lead..... |
| 194710 | 9679 | " Bracket with 140186B..... |
| 140186B | 9679 | " " Clamping Screw..... |
| 194704 | 9679 | Spotlight complete, Nos. 691J, 97359, 194242, 194709 and 194710..... |
| 691J | 9679 | Spotlight Screw..... |
| 97359 | 9679 | " " Retaining Washer..... |

SPOTLIGHT LAMP

| No. | Plate | Name |
|--------|-------|---------------------|
| 194242 | 9679 | Spotlight Lamp..... |

Note: When ordering No. 194242, state voltage required.

NUMERICAL LIST OF PARTS

| | | |
|---------|------|---|
| 194242 | 9679 | Spotlight Lamp..... |
| 194709 | 9679 | Spotlight with Lead..... |
| 194710 | 9679 | " Bracket with 140186B..... |
| 140186B | 9679 | " " Clamping Screw..... |
| 194704 | 9679 | Spotlight complete, Nos. 691J, 97359, 194242, 194709 and 194710..... |
| 691J | 9679 | Spotlight Screw..... |
| 97359 | 9679 | " " Retaining Washer..... |

NUMERICAL LIST OF PARTS

| No. | Plate | Name |
|------|-------|---|
| 44C | 9671 | Oscillating Hook Pitman Screw Stud (left)..... |
| 85E | 9673 | Presser Bar Lifter Screw..... |
| 97E | 9673 | Tension Releasing Lever Hinge Screw..... |
| 107B | 9672 | Face Plate Screw..... |
| 175J | 9670 | Feed Forked Connection Clamping Screw for 32620..... |
| 175J | 9671 | Oscillating Hook Pitman Adjusting Screw for 32531..... |
| 190J | 21382 | Corder Screw..... |
| 190B | 21383 | Embroidery Attachment Screw for 35496... |
| 191C | 9672 | Feed Dog Screw..... |
| 208J | 9670 | Bobbin Winder Thread Guide Screw..... |
| 216C | 9670 | Oscillating Hook Pitman Screw Stud (right) Cap Screw..... |
| 219E | 9673 | Slack Thread Regulator Screw..... |
| 226J | 9672 | Oscillating Hook Slide Friction Spring Screw..... |
| 240J | 21383 | Embroidery Attachment Thread Retaining Spring Screw for 26538..... |
| 248A | 9670 | Clamp Stop Motion Clamp Stop Screw..... |
| 256B | 9670 | " " " " Screw for 32754. |
| 263B | 9673 | Pressure Regulating Thumb Screw..... |
| 289B | 9677 | Braider Thumb Screw..... |
| 301C | 9670 | Arm Rock Shaft Screw Center (lower) for 55516..... |
| 307C | 9671 | Feed Rock Shaft Screw Center for 56814.. |
| 315C | 9671 | " Bar Screw Center for 15445..... |
| 337D | 9675 | Presser Foot Graduated Adjustable Guide Clamp Screw for 121718..... |
| 400K | 9673 | Presser Bar Guide Bracket Adjusting Screw for 32535..... |
| 443A | 9670 | Arm Shaft Bushing Set Screw..... |
| 453C | 9673 | Presser Bar Guide Bracket Set Screw for 32535..... |
| 453C | 9672 | Thread Take-up Spring Regulator Set Screw..... |
| 460C | 9680 | Pulley Set Screw for 190086..... |
| 468C | 21383 | Embroidery Attachment Looper Set Screw for 26528..... |
| 552C | 9673 | Needle Clamp Thumb Screw for 2054..... |
| 649E | 9671 | Arm Screw..... |
| 662D | 9674 | Oscillating Hook Bobbin Case Cushion Spring Screw for 32660..... |
| 665J | 9673 | Needle Bar Thread Guard Screw for 66655. |
| 665B | 9677 | Presser Foot Cord Guide Screw for 36058. |
| 691J | 9679 | Spotlight Screw for 194704..... |

NUMERICAL LIST OF PARTS

| No. | Plate | Name |
|-------|-------|---|
| 691A | 9672 | Throat Plate Screw..... |
| 1036C | 9670 | Thread Take-up Crank Set Screw for 32517 |
| 1085E | 9670 | Feed Forked Connection Roller Screw Stud for 1832..... |
| 1130E | 9673 | Needle Bar Connecting Link Cap Screw for 32692..... |
| 1131C | 9673 | Thread Take-up Lever Link Hinge Screw for 32696..... |
| 1132C | 9674 | Oscillating Hook Connecting Link Hinge Screw..... |
| 1133E | 9673 | Needle Bar Bushing Set Screw..... |
| 1134C | 9670 | " " Crank Position Screw for 32517 |
| 1148C | 9670 | Clamp Stop Motion Flanged Bushing Set Screw..... |
| 1172F | 9674 | Oscillating Hook Bobbin Case Tension Regulating Screw for 32590..... |
| 1173D | 9674 | Oscillating Hook Bobbin Case Tension Spring Screw for 32590..... |
| 1216C | 9670 | Oscillating Hook Pitman Screw Stud (right) for 32682..... |
| 1274W | 9672 | Tension Screw Stud for 32654..... |
| 1285C | 9670 | Feed Cam Set Screw for 32562..... |
| 1301C | 9671 | " Raising Bar Hinge Screw for 32638.. |
| 1353C | 9673 | Needle Bar Connecting Stud Set Screw for 66559..... |
| 1381C | 9670 | Feed Forked Connection Hinge Screw (eccentric)..... |
| 1422B | 21383 | Embroidery Attachment Spool Bracket Tension Regulating Thumb Screw for 35504..... |
| 1485J | 9674 | Oscillating Hook Crank Clamping Screw for 32594..... |
| 1508J | 9670 | Arm Rock Shaft Screw Center (lower) Nut for 55516..... |
| 1513J | 9671 | Feed Rock Shaft Screw Center Nut for 56814..... |
| 1519J | 9671 | Feed Bar Screw Center Nut for 15445..... |
| 1520J | 9670 | " Forked Connection Hinge Screw Nut. |
| 1520J | 9670 | Oscillating Hook Pitman Screw Stud (right) Nut for 32682..... |
| 1560B | 9672 | Tension Regulating Thumb Nut for 32654.. |
| 1832 | 9670 | Feed Forked Connection Roller with 1085E, for 32624..... |
| 1944 | 9671 | Feed Bar Roller and Stud for 32507..... |
| 1944 | 9671 | " Raising Bar Roller and Stud for 32510..... |
| 2007 | 9670 | Arm Spool Pin..... |
| 2020 | 9670 | Clamp Stop Motion Clamp Washer..... |
| 2054 | 9673 | Needle Clamp with 552C..... |

NUMERICAL LIST OF PARTS

| No. | Plate | Name |
|-------|-------|--|
| 2070 | 9673 | Presser Bar Spring Washer..... |
| 2102 | 9672 | Tension Disc for 32654..... |
| 4389 | 9671 | Arm Dowel Pin..... |
| 8204 | 9670 | " Rock Shaft Center (upper)..... |
| 8217 | 9670 | Feed Regulator Friction Washer..... |
| 8238 | 9672 | Tension Spring for 32654..... |
| 8422 | 9672 | Thread Guard (head of arm)..... |
| 8879 | 9670 | Arm Spool Pin Washer (cloth)..... |
| 8879 | 9676 | Spool Pin Washer (cloth) for 120359..... |
| 9859 | ---- | Embroidery Attachment Thread Bracket Rivet for 120876..... |
| 12152 | ---- | Embroidery Attachment Body Block Rivet for 35496..... |
| 12329 | 9673 | Tension Releasing Lever Spring..... |
| 15287 | 9670 | Bobbin Winder Friction Ring (rubber) for 32698..... |
| 15288 | 9670 | Bobbin Winder Pulley for 32698..... |
| 15405 | ---- | Trade Mark Rivet for 32684..... |
| 15429 | 9677 | Presser Foot (left toe) for stitching on edge and inserting braid..... |
| 15445 | ---- | Feed Bar Screw Center 315C with 1519J.. |
| 21360 | 9673 | Needle Bar Hole Plug..... |
| 22232 | ---- | Embroidery Attachment Driving Lever Friction Washer for 26538..... |
| 22232 | ---- | Embroidery Attachment Scroll Carrier Friction Washer for 26538..... |
| 25510 | 9677 | Braider..... |
| 25525 | 9675 | Bias Gauge..... |
| 25527 | 9676 | Cloth Guide for 120359..... |
| 25537 | 9676 | Screw Driver (machine) for 120359..... |
| 25537 | 21382 | Under Braider Foot..... |
| 25893 | 9677 | Hemmer (foot) 1/4 in. hem..... |
| 25895 | 9674 | " " 1/8 in. hem for shirt work |
| 25904 | 9674 | " " 1/16 in. hem for silk ties |
| 25911 | 9674 | " " 3/32 in. hem..... |
| 25978 | 9677 | Presser Foot (single toe) for gathering. |
| 26399 | 21382 | Corder (bow) complete for top cording... |
| 26523 | ---- | Embroidery Attachment Driving Lever Washer for 26538..... |
| 26524 | ---- | Embroidery Attachment Frame with 26525, for 26538..... |
| 26525 | ---- | Embroidery Attachment Frame Block for 26524..... |
| 26527 | 21383 | Embroidery Attachment Looper for 26538.. |
| 26528 | 21383 | " " Scroll with 468C, for 26538..... |
| 26529 | ---- | Embroidery Attachment Scroll Carrier with 26531, for 26538..... |
| 26530 | ---- | Embroidery Attachment Scroll Carrier Hinge Stud for 26538..... |

| No. | Plate | Name |
|-------|-------|--|
| 26531 | ---- | Embroidery Attachment Scroll Carrier Pin for 26529..... |
| 26532 | ---- | Embroidery Attachment Scroll Cover for 26538..... |
| 26533 | ---- | Embroidery Attachment Scroll Driving Lever with 26534, for 26538..... |
| 26534 | ---- | Embroidery Attachment Scroll Driving Lever Stud for 26533 |
| 26535 | 21383 | Embroidery Attachment Spool Pin for Arm of Machine for 26538..... |
| 26537 | 21383 | Embroidery Attachment Thread Eyelet for 26538..... |
| 26538 | 21383 | Embroidery Attachment complete for one thread, Nos. 240J, 26523, 26524, 26527 to 26530, 26532, 26533, 26535, 26537, 26784, 26785, 120876 and two 22232.. |
| 26784 | ---- | Embroidery Attachment Driving Lever Hinge Stud for 26538..... |
| 26785 | 21383 | Embroidery Attachment Thread Retaining Spring for 26538..... |
| 28831 | 9674 | Presser Foot for darning..... |
| 32503 | 9670 | Arm Shaft Bushing for 32681..... |
| 32508 | 9672 | Face Plate with 32630..... |
| 32507 | 9671 | Feed Bar with 1944..... |
| 32510 | 9671 | " Raising Bar with 1944, for 32638... |
| 32517 | 9670 | Needle Bar Crank with 1036C and 1134C, for 32681..... |
| 32519 | 9673 | Needle Stop Pin for 32689..... |
| 32520 | 9674 | Oscillating Hook..... |
| 32522 | 9676 | Bobbin for 120359..... |
| 32522 | 9674 | Oscillating Hook Bobbin..... |
| 32528 | 9674 | " " " Ejector Spring for 32660..... |
| 32529 | 9674 | Oscillating Hook Connecting Link..... |
| 32531 | 9671 | " " Pitman with two 175J... |
| 32535 | 9673 | Presser Bar Guide Bracket with 400K and 453C..... |
| 32541 | 9673 | Thread Take-up Lever for 32542..... |
| 32542 | ---- | Thread Take-up Lever complete for 32696, Nos. 32541, 32543 and 32544..... |
| 32543 | 9673 | Thread Take-up Lever Hinge Stud for 32542..... |
| 32544 | 9673 | Thread Take-up Lever Link for 32542..... |
| 32562 | 9670 | Feed Cam with 1285C..... |
| 32567 | 9674 | Oscillating Hook Bobbin Case Tension Spring for 32590..... |
| 32569 | 9672 | Oscillating Hook Slide..... |
| 32570 | 9672 | " " " Friction Spring.. |
| 32572 | 9672 | Tension Releasing Disc for 32654..... |

| No. | Plate | Name |
|-------|-------|---|
| 32573 | 9673 | Tension Releasing Lever..... |
| 32574 | 9672 | " " Pin for 32654..... |
| 32575 | 9672 | Thread Take-up Spring for 32654..... |
| 32576 | 9672 | " " " Regulator for 32654 |
| 32578 | 9673 | " " Crank for 32692..... |
| 32581 | 9671 | Feed Rock Shaft..... |
| 32589 | 9675 | " Cover Plate (oval top) for art work |
| 32590 | 9674 | Oscillating Hook Bobbin Case with 1172F, 1173D and 32567..... |
| 32594 | 9674 | Oscillating Hook Crank with 1485J..... |
| 32598 | 9674 | " " Bobbin Case Position Bracket Oil Pad (felt) for 32660.... |
| 32599 | 9674 | Oscillating Hook Bobbin Case Position Bracket Oil Pad Holder for 32660.... |
| 32600 | 9672 | Feed Dog, 12 teeth (16 teeth to the inch) for 32602..... |
| 32602 | 9672 | Throat Plate for 32600..... |
| 32620 | 9670 | Feed Forked Connection with 175J, for 32624..... |
| 32621 | 9673 | Slack Thread Regulator..... |
| 32622 | 9675 | Feed Cover Plate (flat top) for art work |
| 32624 | ---- | " Forked Connection 32620 with 1832.. |
| 32630 | ---- | Face Plate Thread Guard 32755 with 125424, for 32506..... |
| 32633 | 9670 | Arm Side Cover (embossed)..... |
| 32638 | 9671 | Feed Raising Bar 32510 with 1301C..... |
| 32654 | 9672 | Tension complete, Nos. 1274W, 1560B, 8238, 32572, 32574 to 32576 and two 2102.. |
| 32656 | 9671 | Oscillating Hook Bell Crank for 32657... |
| 32657 | ---- | " " " " 32656 with 50561C..... |
| 32659 | 9674 | Oscillating Hook Bobbin Case Position Bracket for 32660..... |
| 32680 | 9674 | Oscillating Hook Bobbin Case Position Bracket complete, Nos. 662D, 32528, 32598, 32599, 32659, 32661 to 32664, 50579D and 50580E..... |
| 32661 | 9674 | Oscillating Hook Bobbin Case Cushion Spring for 32660..... |
| 32662 | 9674 | Oscillating Hook Bobbin Case Position Bracket Hinge Stud for 32660..... |
| 32663 | 9674 | Oscillating Hook Bobbin Case Position Bracket Latch for 32660..... |
| 32664 | 9674 | Oscillating Hook Bobbin Ejector for 32660..... |
| 32666 | 9673 | Presser Foot..... |
| 32672 | 9670 | Balance Wheel 3 1/4 in. pulley..... |
| 32675 | 9673 | Presser Bar Spring..... |
| 32676 | 9670 | Arm Rock Shaft with 50571E, for 32682... |

NUMERICAL LIST OF PARTS

| No. | Plate | Name |
|--------|-------|---|
| 32677 | 9670 | Arm Shaft for 32676..... |
| 32678 | ---- | " " 32677 with 32579 and 32680, for 32681..... |
| 32679 | 9670 | Arm Shaft Slide Block (two pieces) for 32678..... |
| 32680 | 9670 | Arm Shaft Slide Block Retaining Clip for 32678..... |
| 32681 | ---- | Arm Shaft 32678 with 32503 and 32517.... |
| 32682 | ---- | " Rock Shaft 32676 with 1216C and 1520J |
| 32683 | 9670 | " Oil Tube, for oiling 32679..... |
| *32684 | ---- | " with 45773 and two 15405..... |
| *32685 | ---- | Bed..... |
| 32686 | 9670 | Feed Regulator..... |
| 32689 | 9673 | Needle Bar with 32519..... |
| 32691 | 9673 | " " Connecting Link with 66559, for 32692..... |
| 32692 | ---- | Needle Bar Connecting Link 32691 with 1130E and 32578, for 32696..... |
| 32693 | 9673 | Presser Bar..... |
| 32696 | ---- | Thread Take-up Lever 32542 with 1131C and 32692..... |
| 32697 | 9670 | Bobbin Winder Bracket for 32698..... |
| 32698 | 9670 | " " " 32697 with 15287, 15288 and 32699..... |
| 32699 | 9670 | Bobbin Winder Spindle for 32698..... |
| 32700 | 9670 | " " Thread Guide..... |
| 32752 | 9670 | Stitch Indicator Plate..... |
| 32753 | 9670 | Clamp Stop Motion Flanged Bushing for 32754..... |
| 32754 | ---- | Clamp Stop Motion Flanged Bushing 32753 with 256B..... |
| 32755 | 9672 | Face Plate Thread Guard for 32630..... |
| 35002 | 9675 | Presser Foot Extension for 121718..... |
| 35003 | 9675 | " " Graduated Adjustable Guide (long, left) for 121718..... |
| 35004 | 9675 | Presser Foot Graduated Adjustable Guide (long, right) for 121718..... |
| 35005 | 9675 | Presser Foot Graduated Adjustable Guide (short, right) for 121718..... |
| 35006 | 9675 | Presser Foot Graduated Adjustable Guide (short, right) flush for 121718..... |
| 35018 | 21382 | Tubular Trimming Attachment Strip De- livery Blade for 35985..... |
| 35135 | 9675 | Presser Foot Graduated Adjustable Guide Clamp for 121718..... |
| 35206 | 9675 | Presser Foot Graduated Adjustable Guide Clamp Lever for 121718..... |
| 35483 | ---- | Embroidery Attachment Body for 35496.... |
| 35484 | ---- | " " " Block for 35496 |

NUMERICAL LIST OF PARTS

| No. | Plate | Name |
|-------|-------|--|
| 35485 | ---- | Embroidery Attachment Driving Lever for 35496..... |
| 35486 | ---- | Embroidery Attachment Driving Lever Arm (lower) for 35496..... |
| 35487 | ---- | Embroidery Attachment Driving Lever Arm (upper) for 35496..... |
| 35488 | ---- | Embroidery Attachment Driving Lever Arm Guide for 35496..... |
| 35489 | ---- | Embroidery Attachment Driving Lever Arm Hinge Stud for 35496..... |
| 35490 | ---- | Embroidery Attachment Driving Lever Arm Spring for 35496..... |
| 35491 | ---- | Embroidery Attachment Driving Lever Hinge Stud for 35496..... |
| 35492 | ---- | Embroidery Attachment Thread Carrier (left) for 35496..... |
| 35493 | ---- | Embroidery Attachment Thread Carrier (left) Hinge Stud for 35496..... |
| 35494 | ---- | Embroidery Attachment Thread Carrier (right) for 35496..... |
| 35495 | ---- | Embroidery Attachment Thread Carrier Friction Plate for 35496..... |
| 35496 | 21383 | Embroidery Attachment, Nos. 190B, 12152, 35483 to 35488, 35490 to 35495, 35498, 50139B and two 35499, for 35505..... |
| 35497 | ---- | Embroidery Attachment Spool Bracket for 35504..... |
| 35498 | ---- | Embroidery Attachment Spool Bracket Stud for 35496..... |
| 35499 | 21383 | Embroidery Attachment Spool Bracket Ten- sion Spring for 35504..... |
| 35500 | ---- | Embroidery Attachment Spool Bracket Ten- sion Spring Position Pin for 35504.. |
| 35500 | ---- | Embroidery Attachment Spool Bracket Thread Guide Pin for 35504..... |
| 35501 | ---- | Embroidery Attachment Spool Bracket Wire for 35504..... |
| 35502 | ---- | Embroidery Attachment Spool Bracket Wire Hinge Stud for 35504..... |
| 35503 | ---- | Embroidery Attachment Spool Bracket Wire Hinge Stud Washer for 35504..... |
| 35504 | 21383 | Embroidery Attachment Spool Bracket com- plete, for 35505, Nos. 1422B, 35497, 35499, 35502, 35503 and two each 35500 and 35501..... |
| 35505 | 21383 | Embroidery Attachment complete for two threads, Nos. 35496 and 35504..... |
| 35884 | 9677 | Hemmer (foot) 3/16 in. hem..... |
| 35931 | 9676 | " (adjustable) for 120359..... |

NUMERICAL LIST OF PARTS

| No. | Plate | Name |
|--------|-------|---|
| 35932 | 9677 | Quilter..... |
| 35984 | 21382 | Presser Foot (strip folding) with tube for 35985..... |
| 35985 | 21382 | Tubular Trimming Attachment complete for making 3/32 in., 1/8 in. and 5/32 in. trimmings, Nos. 35018, 35984 and 120824..... |
| 36058 | 9677 | Presser Foot with 665B and 36059, for blind stitch cording to turn small curves..... |
| 36059 | 9677 | Presser Foot Cord Guide for 36058..... |
| 36067 | 9677 | " " for braiding for art work for braid 1/16 in. to 3/16 in. wide. |
| 36333 | 9674 | Hemmer (foot) 1/16 in. hem for chiffon and silk..... |
| 36469 | 9674 | Hemmer (foot) for chiffon and silk slotted for lace..... |
| 36583 | 9676 | Tucker for 120359..... |
| 36696 | 9675 | Presser Foot Graduated Adjustable Guide Clamp Steady Pin for 121718..... |
| 36835 | 9677 | Feller (foot)..... |
| 36865 | 9677 | Edge Stitcher..... |
| 45773 | ---- | Trade Mark for 32684..... |
| 50053B | 9676 | Cloth Guide Thumb Screw for 120359..... |
| 50139B | 21383 | Embroidery Attachment Thread Carrier (right) Hinge Screw for 35496..... |
| 50518C | 9680 | Brush Tube Insulating Bushing Set Screw. |
| 50561C | 9671 | Oscillating Hook Bell Crank Hinge Screw for 32657..... |
| 50571E | 9670 | Arm Rock Shaft Adjusting Screw for 32676 |
| 50579D | 9674 | Oscillating Hook Bobbin Case Position Bracket Latch Screw for 32660..... |
| 50580E | 9674 | Oscillating Hook Bobbin Ejector Hinge Screw Stud for 32660..... |
| 50611J | 9674 | Oscillating Hook Bobbin Case Position Bracket Hinge Stud Set Screw..... |
| 50632C | 9680 | Motor Screw..... |
| 51045C | 9671 | Machine Hinge Connection Set Screw..... |
| 51104B | 9676 | Binder Screw for 121464..... |
| 51224B | 9670 | Arm Side Cover Thumb Screw..... |
| 51224B | 9672 | Face Plate Thumb Screw..... |
| 51224B | 9673 | Presser Foot Thumb Screw..... |
| 51282J | 9677 | " " Braid Guide Screw for 121614 |
| 51295E | 9670 | Feed Regulator Hinge Screw..... |

NUMERICAL LIST OF PARTS

| No. | Plate | Name |
|--------|-------|---|
| 51347A | 9678 | Hemstitching and Picoting Attachment Thumb Screw for 121387..... |
| 51366R | 9680 | End Cover Screw..... |
| 51395W | 21382 | Ruffler Shirring Plate Thumb Screw for 121170..... |
| 51415H | 9678 | Hemstitching and Picoting Attachment Piercer Holder Adjusting Bracket Screw..... |
| 51470A | 9678 | Hemstitching and Picoting Attachment Piercer Clamping Screw..... |
| 51471B | 9678 | Hemstitching and Picoting Attachment Piercer Holder Screw..... |
| 55516 | ---- | Arm Rock Shaft Screw Center 301C with 1508J..... |
| 56814 | ---- | Feed Rock Shaft Screw Center 307C with 1513J..... |
| 66558 | 9673 | Needle Bar Bushing for 66655..... |
| 66559 | 9673 | " " Connecting Stud with 1353C, for 32691..... |
| 66561 | 9673 | Needle Bar Timing Gauge..... |
| 66564 | 9673 | Presser Bar Lifter..... |
| 66639 | 9673 | Needle Bar Thread Guard for 66655..... |
| 66655 | ---- | " " Bushing 66558 with 665J and 66639..... |
| 97359 | 9679 | Spotlight Screw Retaining Washer for 194704..... |
| 120329 | ---- | Machine Cover (Accessories)..... |
| 120359 | ---- | Attachment Set, Nos. 8879, 25527, 25537, 35931, 36583, 50053B, 120378, 120842, 121464, five 32522 and six needles for 120607..... |
| 120378 | 9676 | Screw Driver (shuttle tension) for 120359..... |
| 120565 | 9676 | Binder Screw Washer for 121464..... |
| 120598 | 9676 | Ruffler for one six and twelve stitch ruffling for 120607..... |
| 120607 | 9676 | Attachment Set complete, Nos. 120359 and 120598..... |
| 120687 | 9677 | Hemstitcher with yielding Presser Plate. |
| 120824 | 21382 | Tubular Trimming Attachment Strip Wire for 35985..... |
| 120842 | 9676 | Hemmer (foot) 5/64 in. hem for 120359... |
| 120862 | 9675 | Oil Can, 1 1/3 fluid oz. (filled with household oil) Accessories |
| 120876 | ---- | Embroidery Attachment Driving Lever with 120877 and two 9859, for 26538..... |
| 120877 | ---- | Embroidery Attachment Thread Bracket for 120876..... |
| 121091 | 21382 | Darning Foot for 121094..... |
| 121092 | 21382 | " " Shank for 121094..... |
| 121093 | 21382 | " " Spring for 121094..... |

NUMERICAL LIST OF PARTS

| No. | Plate | Name |
|--------|-------|---|
| 121094 | 21382 | Darning Foot (spring) complete, Nos. 121091 to 121093..... |
| 121149 | 9677 | Finger Guard..... |
| 121170 | 21382 | Ruffler Shirring Plate (universal) with 5139FW..... |
| 121209 | 9678 | Hemstitching and Picoting Attachment Feed Blade Extension Foot (rubber).. |
| 121210 | 9678 | Hemstitching and Picoting Attachment Feed Blade Extension Rivet..... |
| 121211 | 9678 | Hemstitching and Picoting Attachment Feed Blade Position Stud..... |
| 121212 | 9678 | Hemstitching and Picoting Attachment Feed Blade Spring..... |
| 121214 | 9678 | Hemstitching and Picoting Attachment Piercer Arm Hinge Stud..... |
| 121215 | 9678 | Hemstitching and Picoting Attachment Piercer Arm Spring..... |
| 121221 | 9678 | Hemstitching and Picoting Attachment Ratchet Wheel Pawl Spring Rivet.... |
| 121275 | 9678 | Hemstitching and Picoting Attachment Ratchet Wheel Pawl Spring..... |
| 121337 | 9678 | Hemstitching and Picoting Attachment with Attachment Screw 51347A..... |
| 121389 | 9678 | Hemstitching and Picoting Attachment Throat Plate..... |
| 121400 | 9678 | Hemstitching and Picoting Attachment Feed Blade Actuating Bracket..... |
| 121401 | 9678 | Hemstitching and Picoting Attachment Feed Blade Actuating Bracket Gib.... |
| 121402 | 9678 | Hemstitching and Picoting Attachment Feed Blade Actuating Bracket Gib Rivet..... |
| 121403 | 9678 | Hemstitching and Picoting Attachment Feed Blade Actuating Bracket Gib Washer..... |
| 121404 | 9678 | Hemstitching and Picoting Attachment Feed Blade Actuating Bracket Rivet.. |
| 121405 | 9678 | Hemstitching and Picoting Attachment Feed Blade Extension (left)..... |
| 121406 | 9678 | Hemstitching and Picoting Attachment Feed Blade Extension (right)..... |
| 121407 | 9678 | Hemstitching and Picoting Attachment Piercer..... |
| 121408 | 9678 | Hemstitching and Picoting Attachment Piercer Arm..... |
| 121409 | 9678 | Hemstitching and Picoting Attachment Piercer Holder..... |
| 121410 | 9678 | Hemstitching and Picoting Attachment Piercer Holder Adjusting Bracket.... |

NUMERICAL LIST OF PARTS

| No. | Plate | Name |
|---------|-------|---|
| 121424 | 9675 | Needle Threader Hook..... |
| 121441 | 9677 | Presser Foot (double toe) for gathering. |
| 121461 | 9676 | Binder Folder for 121464..... |
| 121463 | 9676 | Binder Foot for 121464..... |
| 121464 | 9676 | Binder complete for 120359, Nos. 51104B, 120565, 121461 and 121463..... |
| 121465 | 9678 | Hemstitching and Picoting Attachment Feed Cam Lever Hinge Screw Nut..... |
| 121541 | 9675 | Needle Threader (universal)..... |
| 121547 | 21382 | Under Braider..... |
| 121573 | 9678 | Hemstitching and Picoting Attachment Feed Cam Lever..... |
| 121580 | 9678 | Hemstitching and Picoting Attachment Feed Cam Shaft and Ratchet Wheel.... |
| 121582 | 9678 | Hemstitching and Picoting Attachment Ratchet Wheel Pawl..... |
| 121583 | 9678 | Hemstitching and Picoting Attachment Ratchet Wheel Pawl Rivet..... |
| 121591 | 9678 | Hemstitching and Picoting Attachment Feed Blade..... |
| 121592 | 9678 | Hemstitching and Picoting Attachment Fork Arm..... |
| 121614 | 9677 | Presser Foot with 51282J and 121615, for blind stitch braiding, for soutache braid..... |
| 121615 | 9677 | Presser Foot Braid Guide for 121614.... |
| 121717 | 9675 | " " for 121718..... |
| 121718 | 9675 | " " with Extension and Graduated Adjustable Guides complete, Nos. 337D, 35002 to 35006, 35135, 35206, 36696 and 121717..... |
| 125035 | 9677 | Presser Foot (right toe) for stitching on edge and inserting braid..... |
| 125424 | 9672 | Face Plate Thread Guard Rivet for 32630. |
| 136244 | 9679 | Controller Holder with two wood screws 1/2 in. No. 7 R.H..... |
| 140112J | 9678 | Hemstitching and Picoting Attachment Feed Cam Lever Hinge Screw..... |
| 140157J | 9675 | Needle Threader Hook Screw..... |
| 140185J | 9670 | Bobbin Winder Bracket Hinge Screw..... |
| 140186B | 9679 | Spotlight Bracket Clamping Screw for 194710..... |
| 140202S | 9670 | Stitch Indicator Plate Screw..... |
| 140202R | 9680 | Terminal Box Cover Screw..... |
| 176516 | 9670 | Bobbin Winder Bracket Hinge Screw Friction Washer..... |
| 190058 | 9680 | Motor Screw Retaining Washer (fibre).... |
| 190086 | --- | Pulley 190087 with 460C..... |
| 190087 | 9580 | Pulley for 190086..... |

| No. | Plate | Name |
|---------|-------|---|
| 190439 | ---- | Tube, filled with Singer Motor Lubricant for 190613..... |
| 190612 | ---- | Tube Carton (paper) for 190613..... |
| 190613 | 9680 | Tube 190439 with 190612..... |
| 191097 | 9680 | Armature Shaft Thrust Washer (fibre).... |
| 191098 | 9680 | " " " " (peerless paper)..... |
| 191417 | 9680 | Motor Screw Washer..... |
| 192424 | 9680 | Field Coil Retainer..... |
| 192457 | 9680 | Brush (carbon) for 4-32, 4-50, 4-100, 4-110, 4-118 and 4-125 Motors..... |
| 192458 | 9680 | Brush Spring..... |
| 193077 | 9680 | Belt (moulded)..... |
| 193527 | 9680 | Grease Cup Wick Spring for 194104..... |
| *193536 | ---- | Commutator complete..... |
| 193543 | 9680 | Brush Cap..... |
| 193546 | 9680 | " Tube Insulating Bushing (moulded). |
| 193879 | 9680 | Field Core complete..... |
| 193881 | 9680 | Grease Cup..... |
| 194097 | 9680 | " " Wick (felt) for 194104..... |
| 194104 | ---- | " " " 194097 with 193527..... |
| 194113 | 9680 | Brush Tube..... |
| 194242 | 9679 | Spotlight Lamp for 194704..... |
| 194702 | 9680 | Terminal Box Cover..... |
| 194704 | 9679 | Spotlight complete, Nos. 691J, 97359, 194242, 194709 and 194710..... |
| *194709 | ---- | Spotlight with Lead for 194704..... |
| 194710 | 9679 | " Bracket with 140186B, for 194704 |
| 194711 | 9679 | Controller Lead Bushing (black fibre)... |
| 194712 | 9679 | " " " Clip..... |
| 194716 | 9680 | Lead Cord (8 ft. long) complete from Terminal Box to Socket..... |
| 194717 | 9680 | Lead Strain Relief..... |
| 194728 | ---- | Field Coil complete for 4-32 Motor..... |
| 194731 | ---- | Field Coil complete for 4-50 Motor..... |
| 194734 | ---- | Field Coil complete for 4-100 Motor..... |
| 194737 | 9680 | Field Coil complete for 4-110 Motor..... |
| 194740 | ---- | Field Coil complete for 4-125 Motor..... |
| 194755 | ---- | Field Coil complete for 4-118 Motor..... |
| 194766 | 9680 | Terminal Box Insulation..... |
| 194818 | 9680 | End Cover (pulley end) with Shaft Bearing Sleeve..... |
| 194819 | 9680 | End Cover (commutator end) with Shaft Bearing Sleeve..... |
| 194830 | 9679 | Controller complete, convertible for Foot or Knee Control, for 32 to 55 volts, A.C. or D.C. Motor..... |
| 194831 | ---- | Controller complete, convertible for Foot or Knee Control, for 95 to 125 volts, A.C. or D.C. Motor..... |

| No. | Plate | Name |
|--------|-------|--|
| 194836 | 9679 | Controller Lead 39 1/2 in. long (from Controller to Terminal Box)..... |
| 194900 | 9680 | Armature complete for 4-100 and 4-110 Motors..... |
| 194901 | ---- | Armature complete for 4-32 Motor..... |
| 194902 | ---- | Armature complete for 4-50 Motor..... |
| 194903 | ---- | Armature complete for 4-125 Motor..... |
| 194909 | ---- | Armature complete for 4-118 Motor..... |
| 876363 | 9680 | Lead Connector (large)..... |
| 899910 | 9680 | Name Plate and Core Shield for 4-110 Motor..... |
| 899911 | ---- | Name Plate and Core Shield for all Motors except 4-110 Motor..... |
| 931306 | 9680 | Lead Grommet (fibre)..... |
| 965105 | 9680 | " Connector (small)..... |

SINGER Needles should be used
in SINGER Machines.
These Needles and their Containers
are marked with the
Company's Trade Mark "SIMANCO." 1

Needles in Containers marked
"FOR SINGER MACHINES"
are NOT **SINGER** made needles. 2

SINGER Needles should be used
in SINGER Machines.
These Needles and their Containers
are marked with the
Company's Trade Mark "SIMANCO." 1

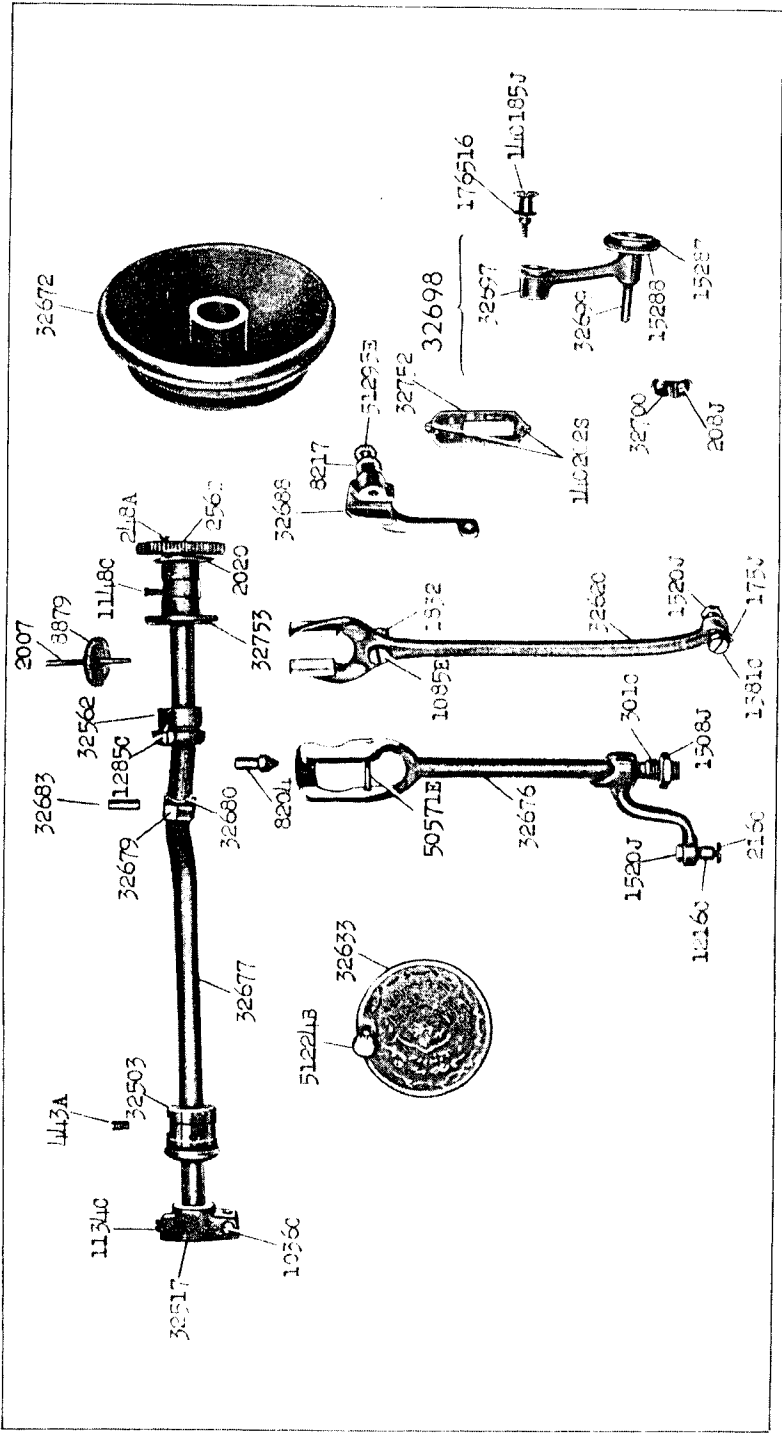
Needles in Containers marked
"FOR SINGER MACHINES"
are NOT **SINGER** made needles. 2

ILLUSTRATIONS OF PARTS

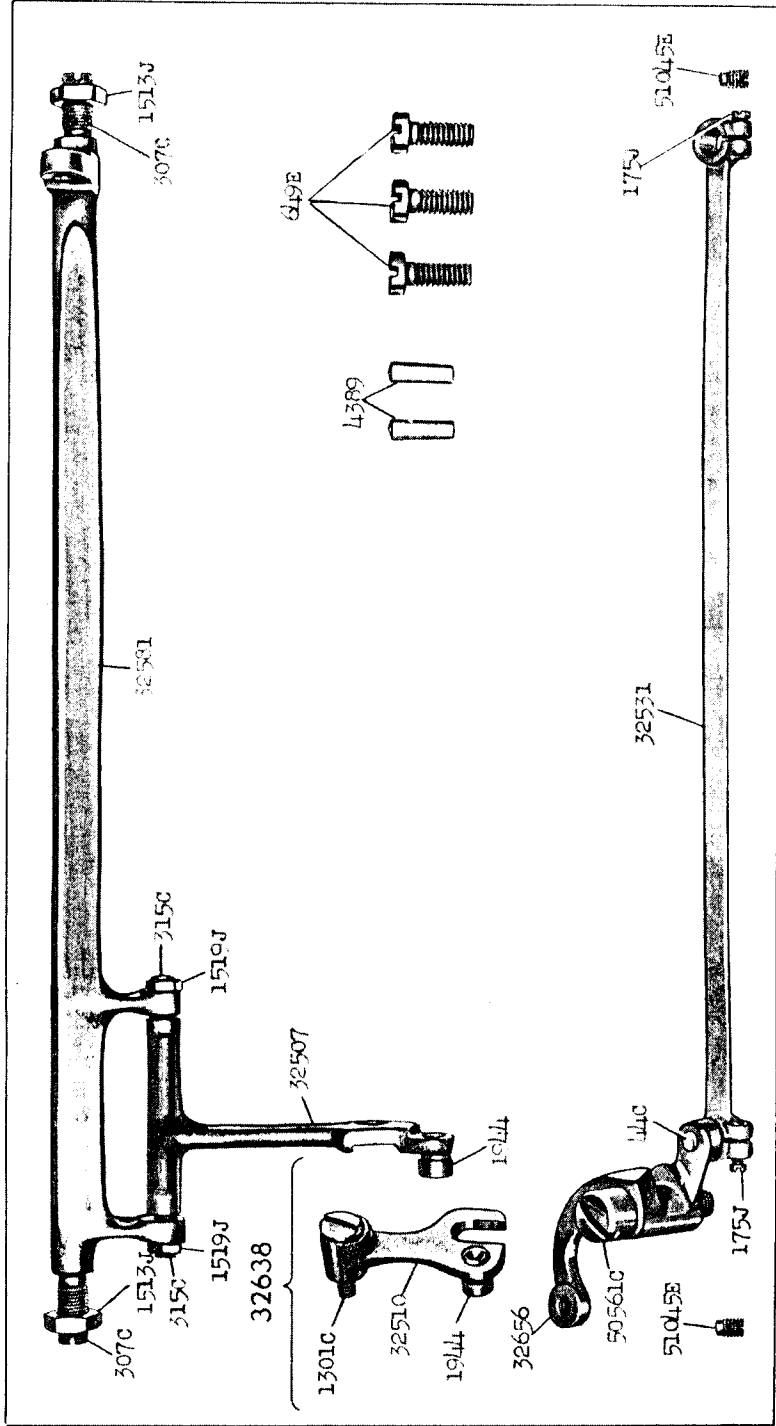
OF
PARTS
 These needles are made in the U.S.A.
 and are marked with the
 Company's Trade Mark.

Needles in Connection with
"FOR SINGER MACHINES"
 are NOT SINGER made needles.

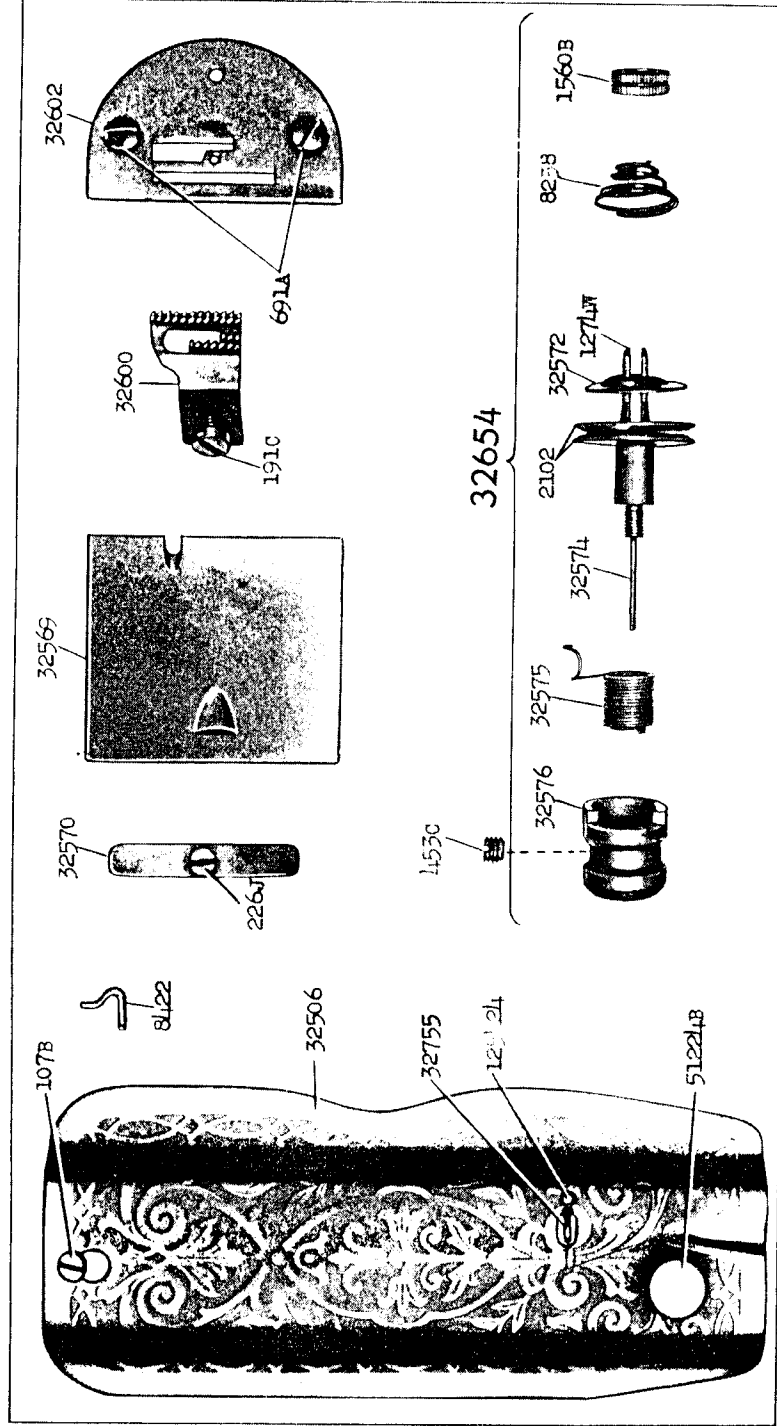
ILLUSTRATIONS

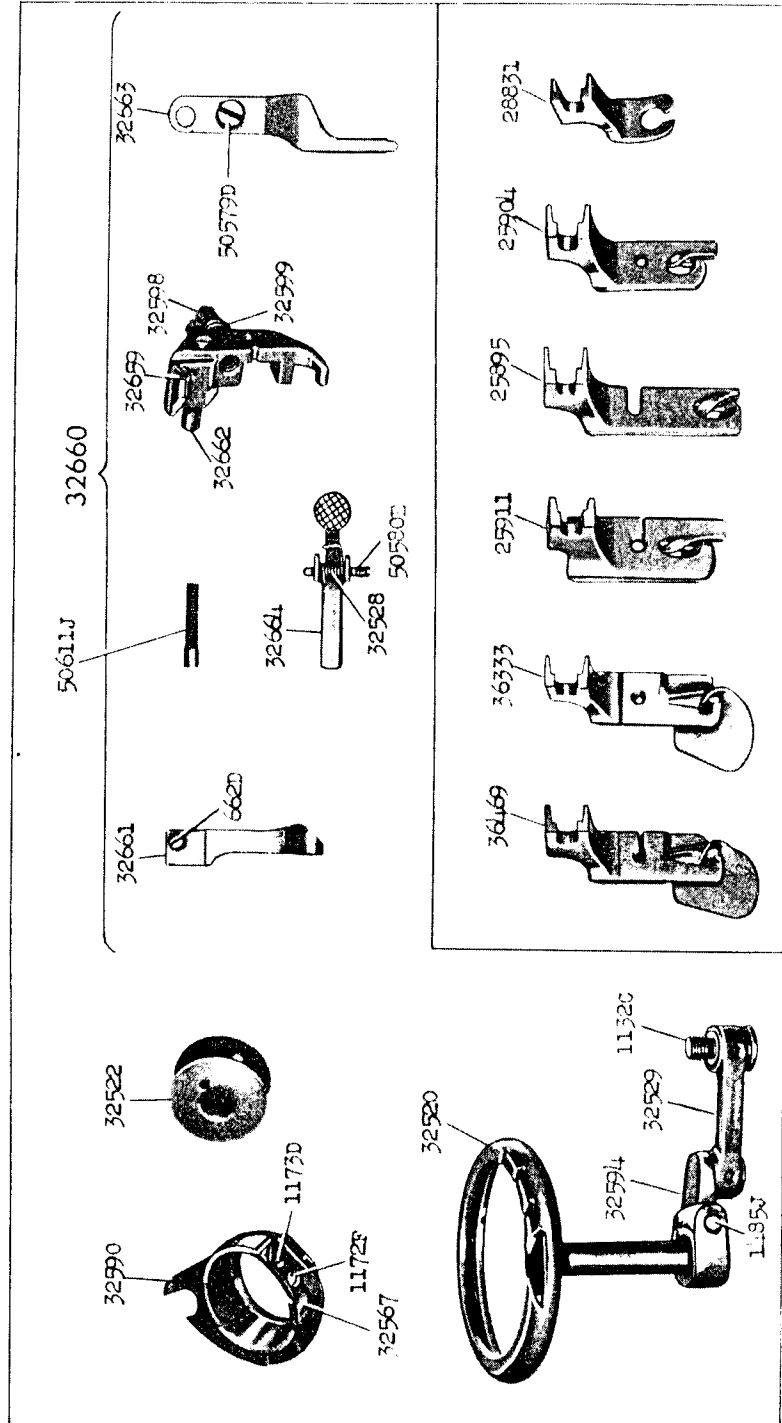
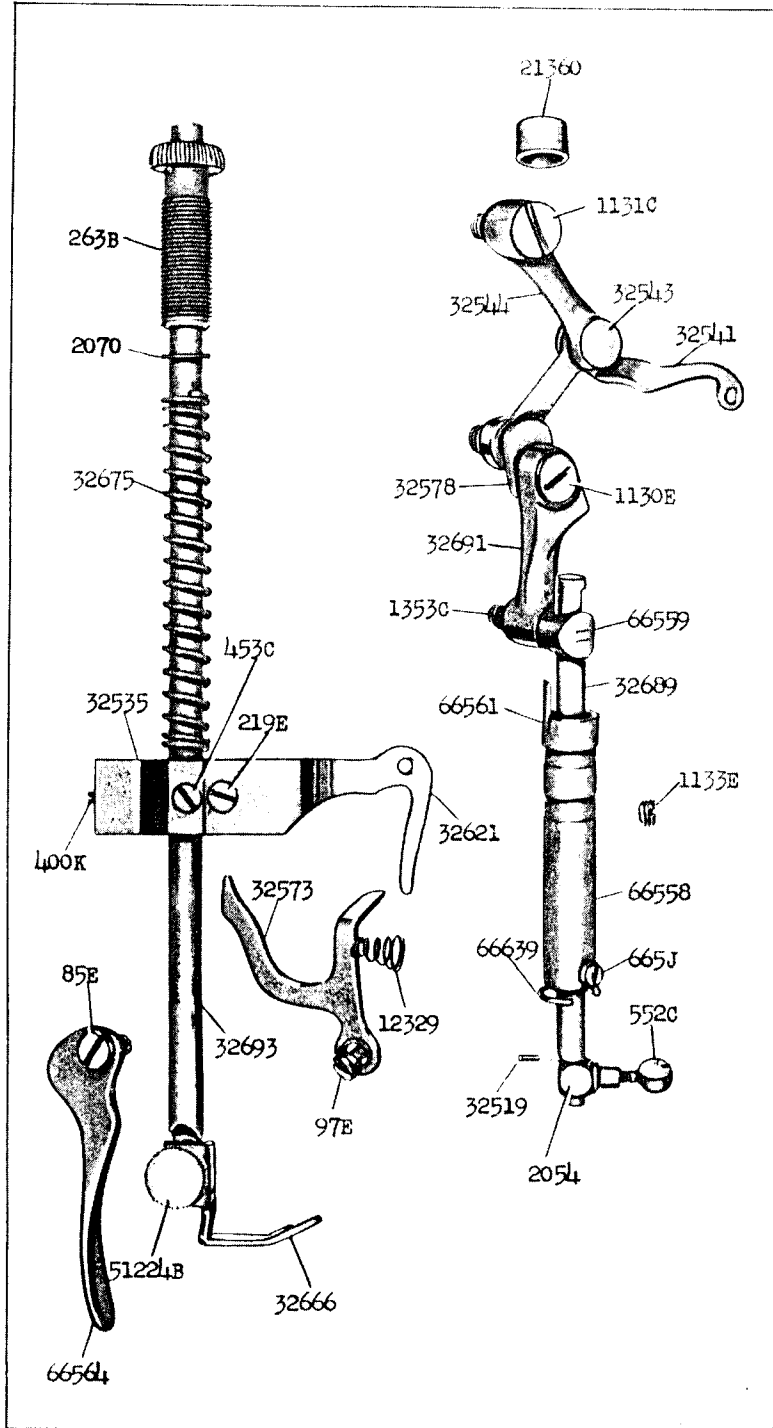


9671 - 1/2

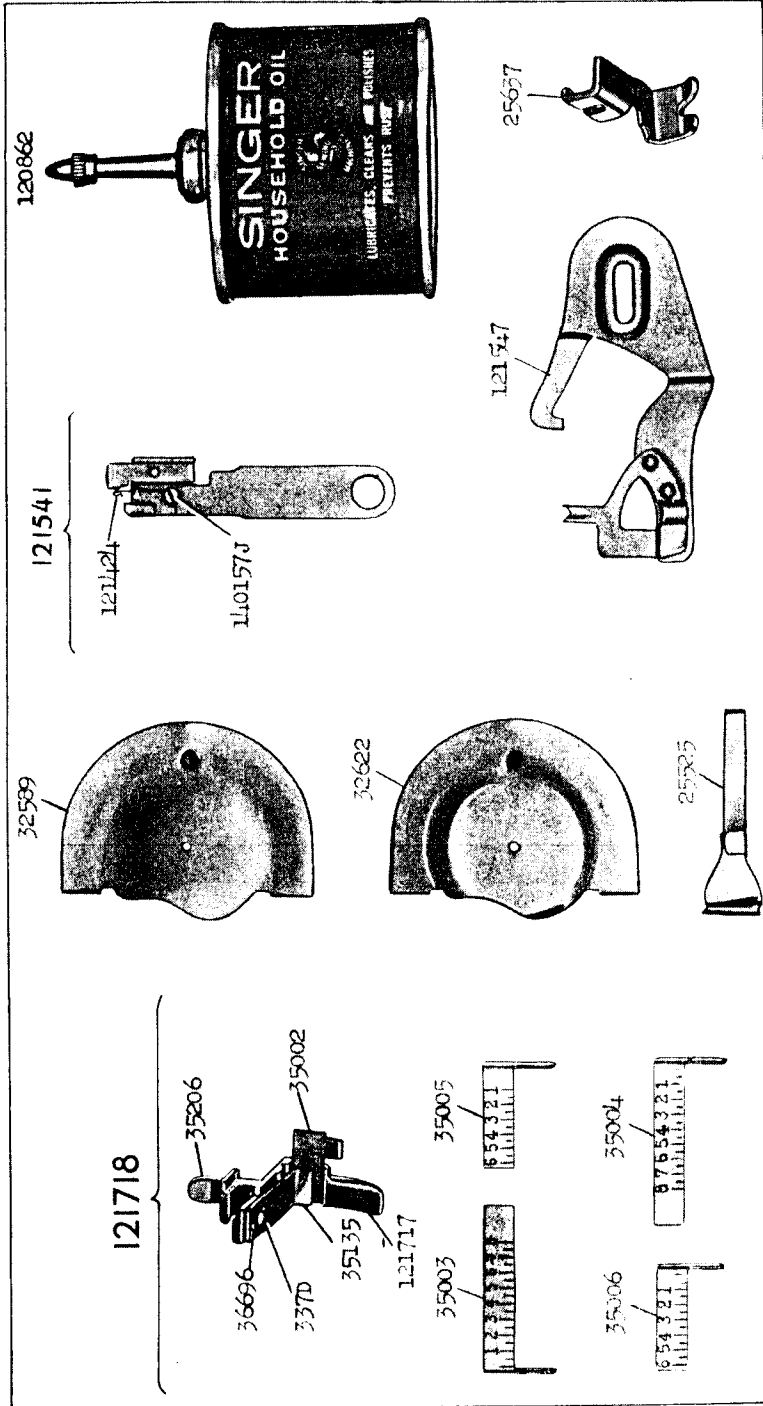


9672 - 2/3

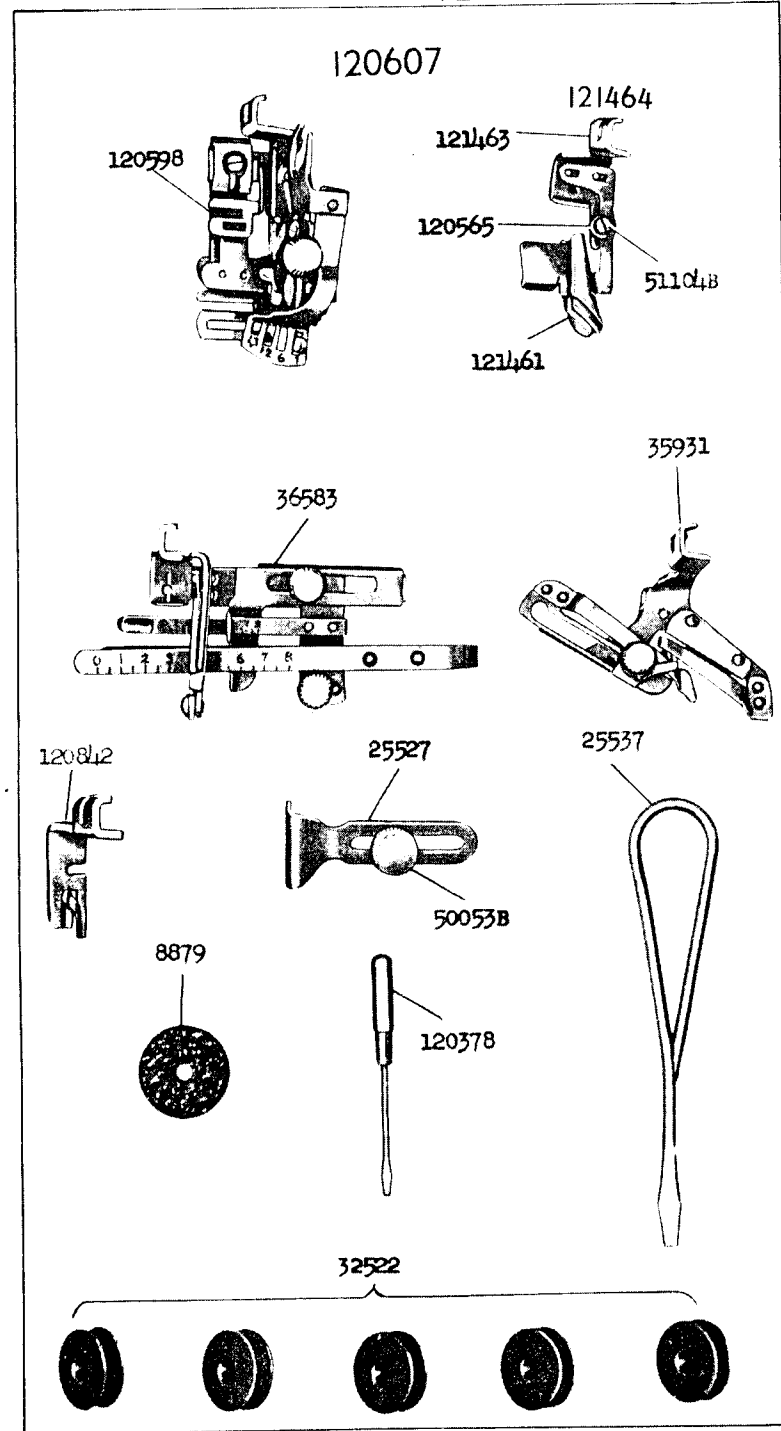




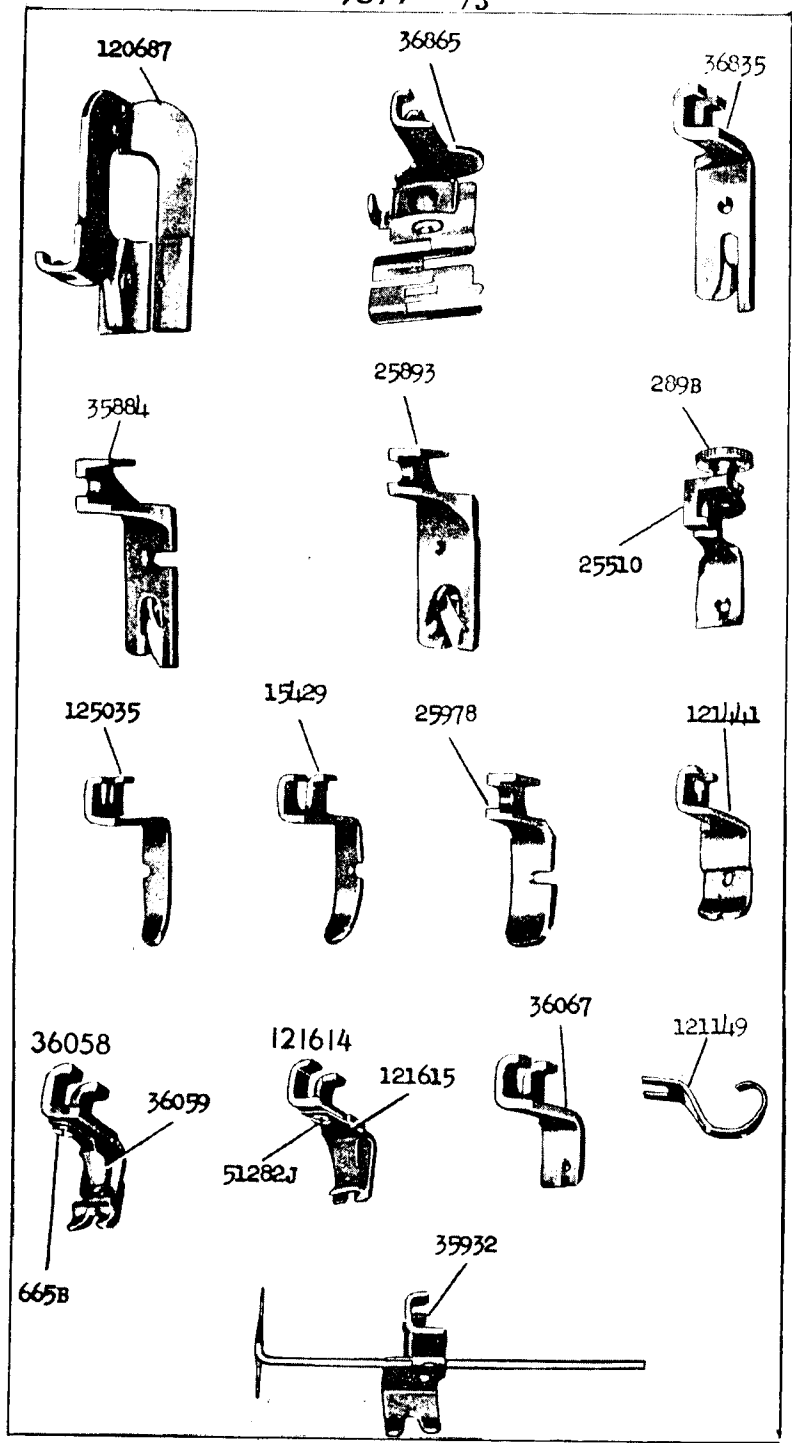
9675 - 2/3



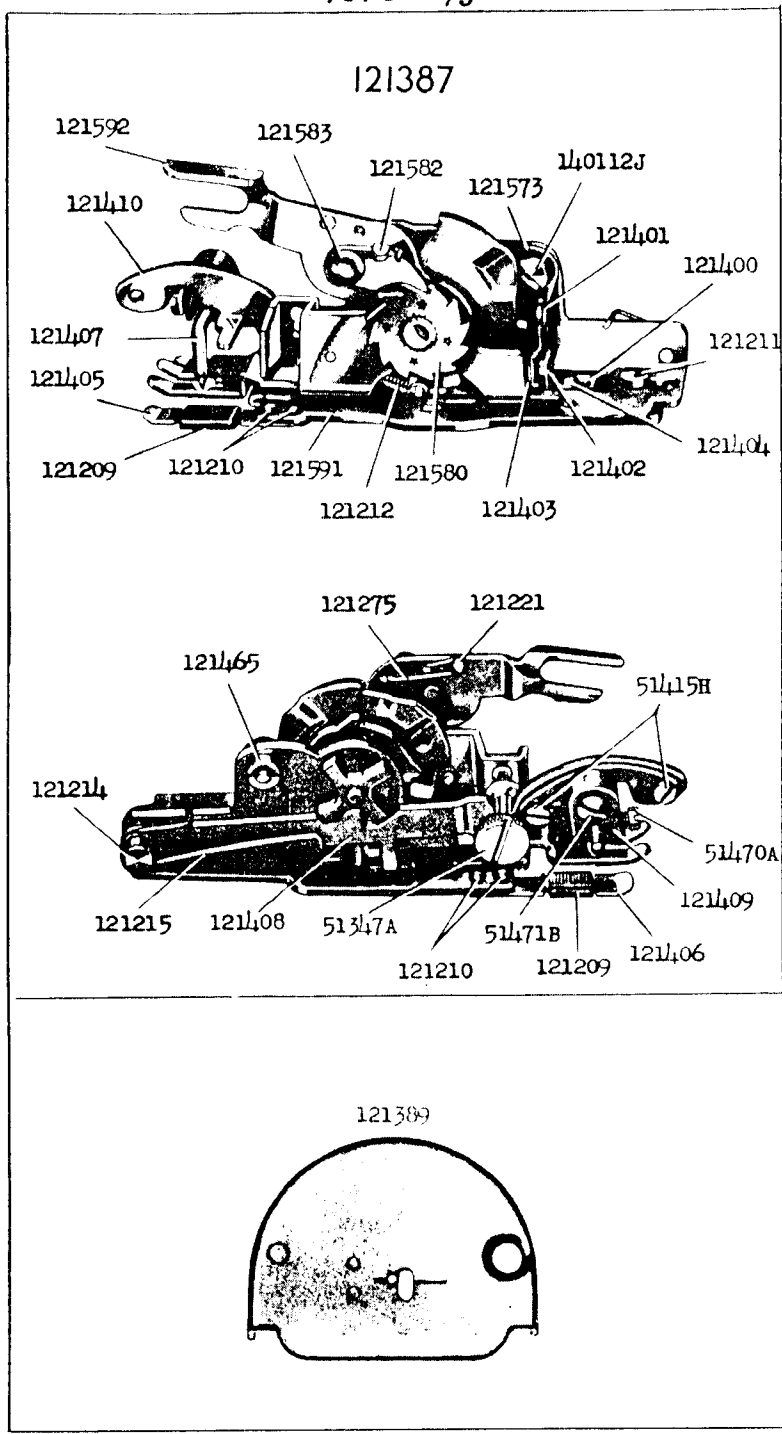
9676 - 1/2



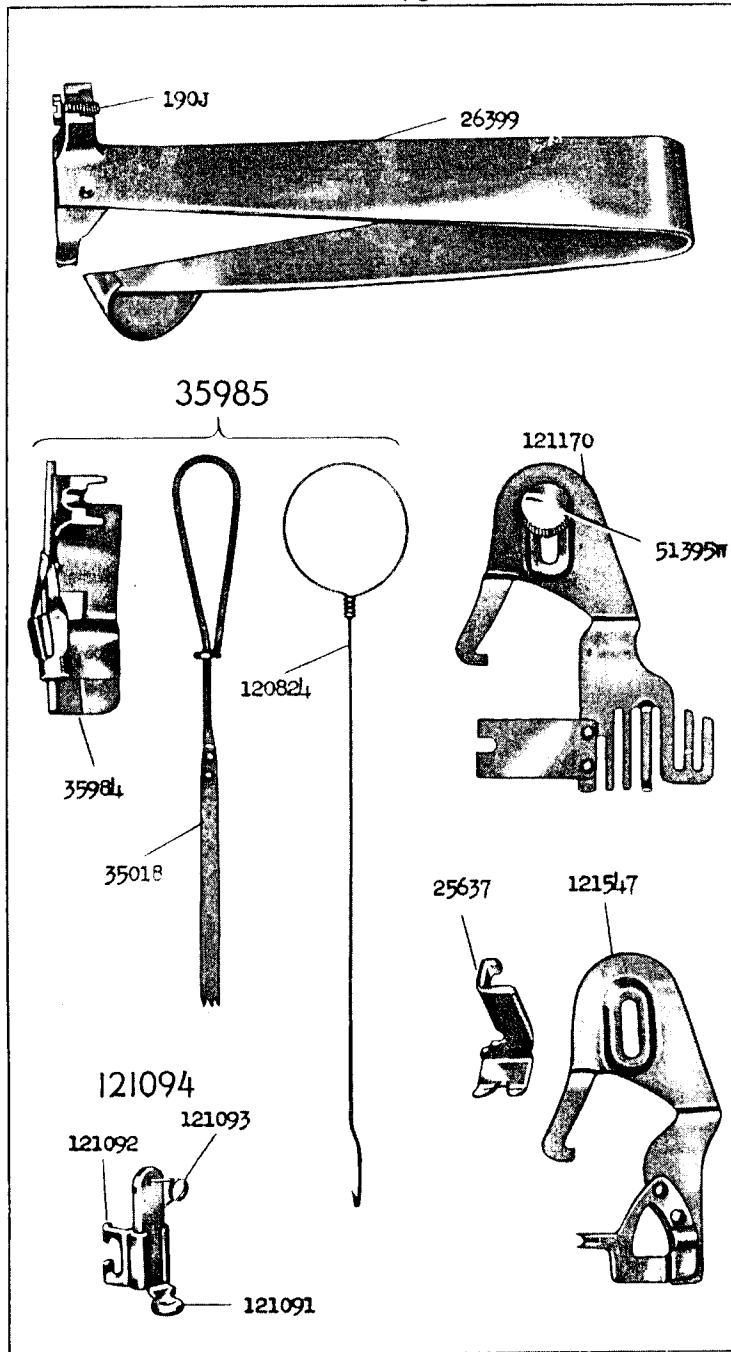
9677 - 2/3



9678 - 2/3



21382 - 2/3



21383 - 2/3

