



Spare parts list
Katalog náhradních dílů

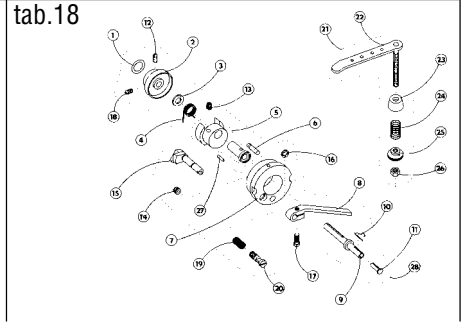
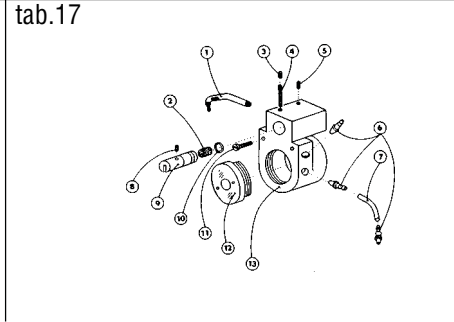
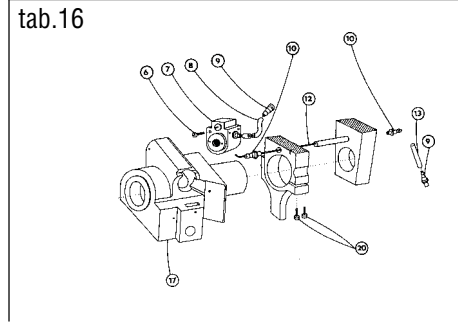
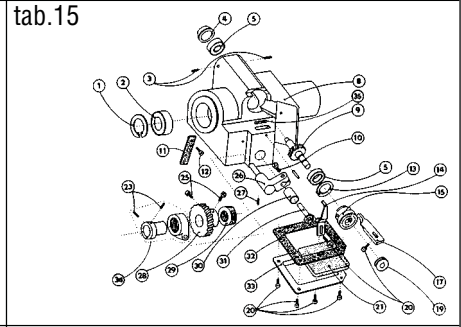
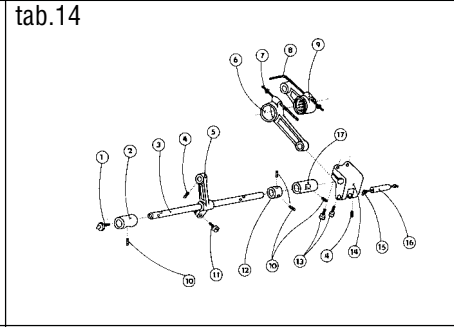
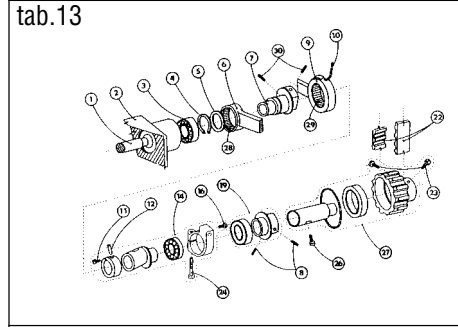
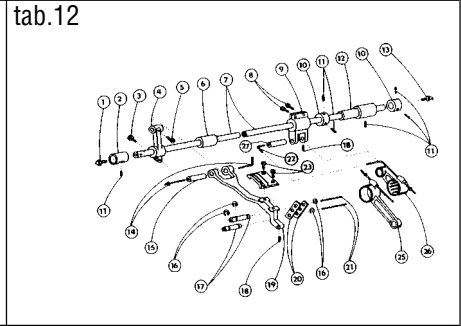
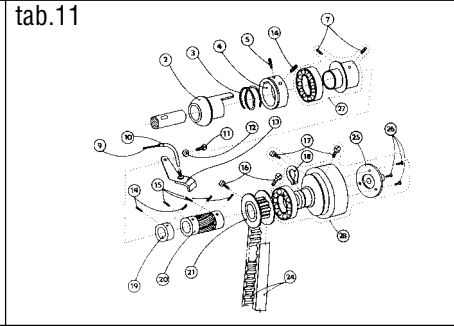
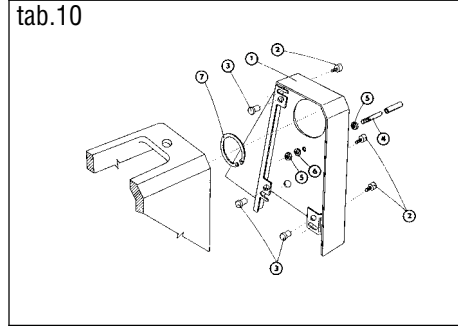
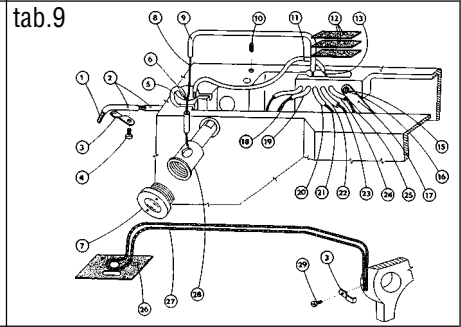
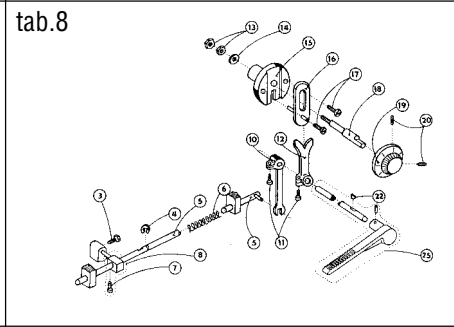
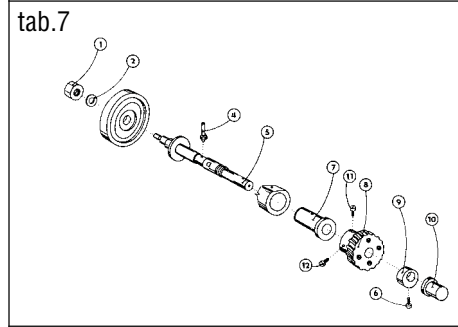
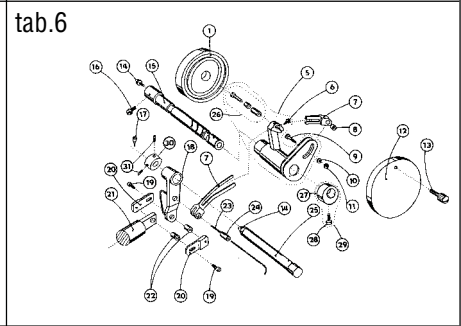
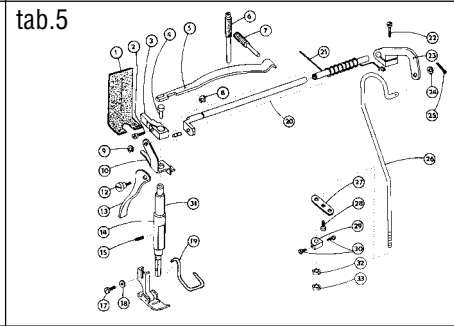
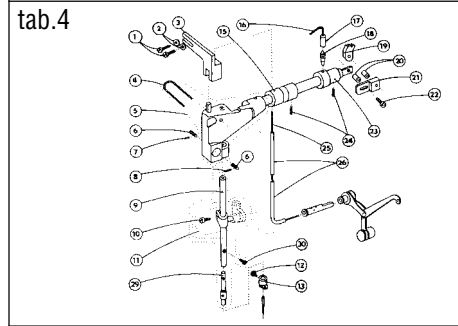
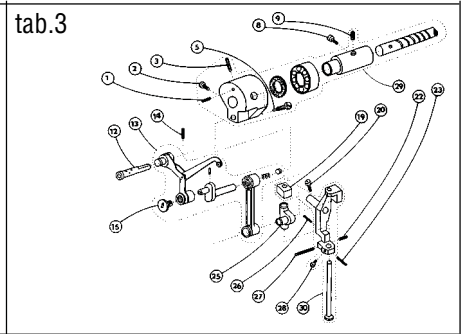
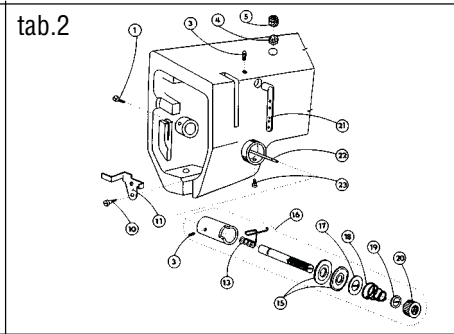
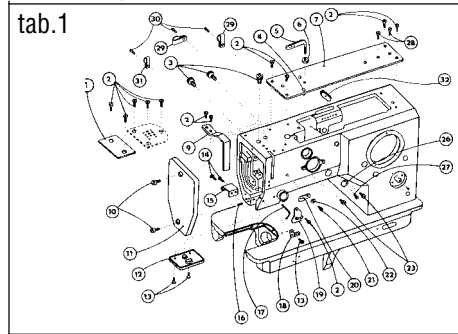
525 - 101

**Jednohlový šicí stroj s klikatým stehem, ponorným podáváním
a ručním zpátkováním**

**Single needle lockstitch zigzag machine with bottom feed,
manual backtacking**

525-101

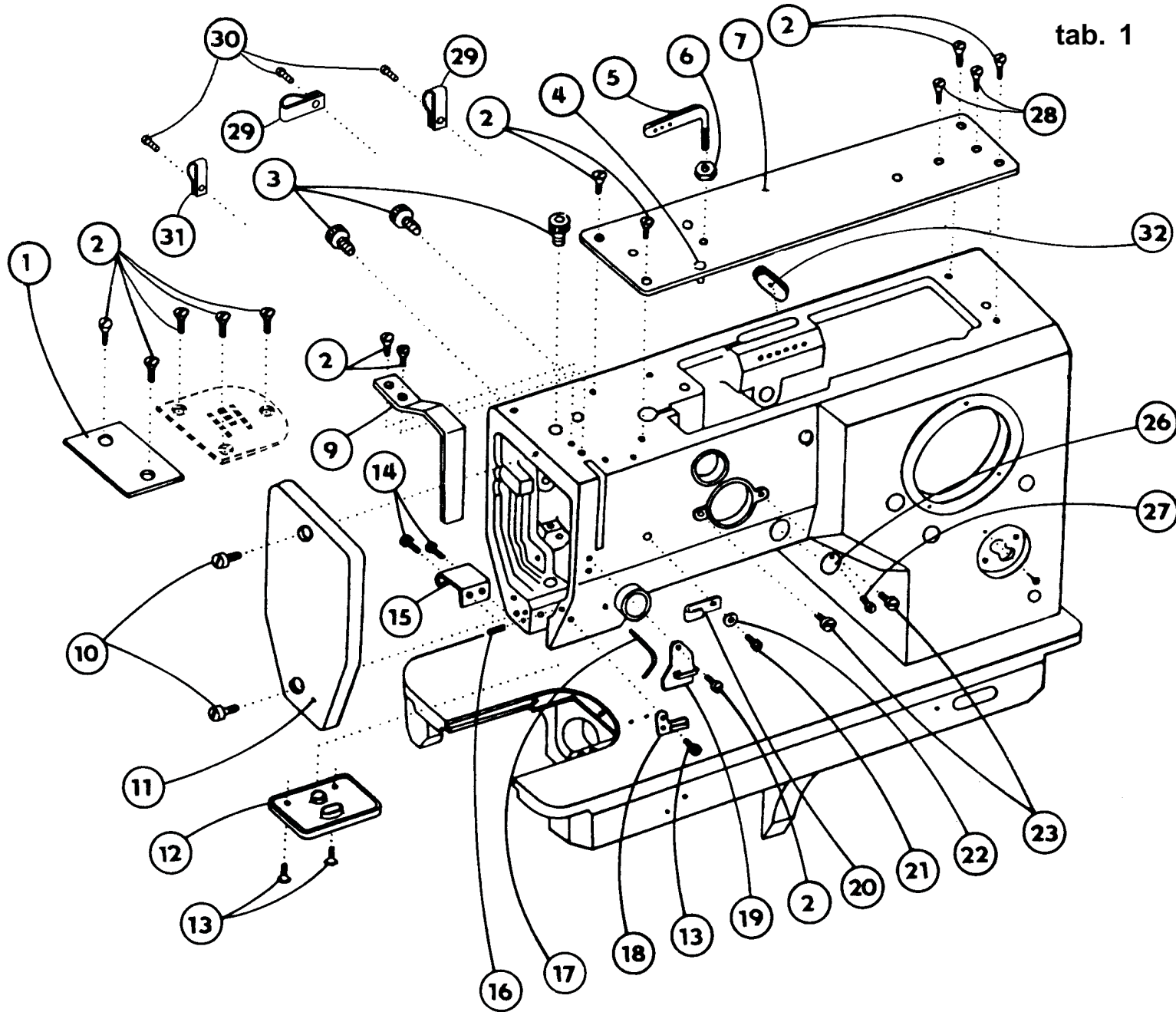
OBSAH : - Contents:
Dílce hlavy - Parts of head



| Číslo tabulky Table No. | Objednací číslo Ordered No. | | Název objektu Denomination |
|--|--------------------------------|----------|--|
| tab.19 | S980 008250 | | Chapač Hook |
| Příbal - Enclosed accessories | | | |
| tab. 20 | S980 099038 | Standard | Zvláštní příslušenství /1 Accessories/1 |
| tab. 21 | S980 099038 | Standard | Zvláštní příslušenství /2 Accessories/2 |
| tab. 22 | S980 099038 | Standard | Zvláštní příslušenství /3 Accessories/3 |
| tab. 23 | S980 099038 | Standard | Zvláštní příslušenství /4 Accessories/4 |
| tab. 24 | S980 099038 | Standard | Zvláštní příslušenství /5 Accessories/5 |
| tab. 25 | S980 092229 | Standard | SND Spare parts kit |
| Nutné vybavení - Necessary equipment | | | |
| tab. 26 | S791 995068 | Standard | Díly pro zpátkování pedálem Parts of backtacking (with pedal) |
| tab. 27 | S791 642037 | Standard | Vačka Cam |
| tab. 27 | S791 642049 | Standard | Vačka Cam |
| Šicí vybavení - Sewing equipment | | | |
| Tabulka šicích vybavení - Table of sewing equipments | | | |
| tab. 28 | S791 124033 35 | | Šicí vybavení Sewing equipment |
| tab. 28 | S791 124034 35 | | Šicí vybavení Sewing equipment |
| tab. 29 | S791 124032 35 | Standard | Šicí vybavení Sewing equipment |
| tab. 29 | S791 224075 35 | | Šicí vybavení Sewing equipment |
| tab. 30 | S791 400023 | | Vedení pro sešívání Guiding for stitching together |
| Volitelné vybavení - Optional equipment | | | |
| tab. 31 | S791 149001 | | Vybavení pro obnitkování okrajů Attachment for serging operation |
| tab. 32 | S791 235002 | | Odvíjecí zařízení Roller holder |
| tab. 33 | S791 224074 | | Stehová deska Throat plate |
| tab. 34 | S791 630002 | | Vybavení pro šití dvěma jehlami Equipment for sewing with two needles |
| tab. 35 | S791 642038 | | Vačka pro ozdobné šití Cam |
| tab. 35 | S791 642039 | | Vačka pro ozdobné šití Cam |
| tab. 35 | S791 642040 | | Vačka pro ozdobné šití Cam |
| tab. 35 | S791 642041 | | Vačka pro ozdobné šití Cam |
| tab. 35 | S791 642042 | | Vačka pro ozdobné šití Cam |
| tab. 35 | S791 642043 | | Vačka pro ozdobné šití Cam |
| tab. 35 | S791 642044 | | Vačka pro ozdobné šití Cam |
| tab. 35 | S791 642045 | | Vačka pro ozdobné šití Cam |
| tab. 35 | S791 642046 | | Vačka pro ozdobné šití Cam |
| tab. 35 | S791 642047 | | Vačka pro ozdobné šití Cam |
| tab. 35 | S791 642048 | | Vačka pro ozdobné šití Cam |
| tab. 35 | S791 642050 | | Vačka pro ozdobné šití |

| Číslo tabulky Table No. | Objednací číslo Ordered No. | Název objektu Denomination |
|----------------------------|--------------------------------|---|
| tab. 35 | S791 642051 | Vačka pro ozdobné šití Cam |
| tab. 35 | S791 642052 | Vačka pro ozdobné šití Cam |
| tab. 35 | S791 642053 | Vačka pro ozdobné šití Cam |
| tab. 35 | S791 642055 | Vačka pro ozdobné šití Cam |
| tab. 36 | S791 151016 | Otevřená patka Hinged foot with front thread slit |
| tab. 36 | S791 151017 | Otevřená patka Hinged foot with front thread slit |
| tab. 37 | S791 947001 | Ustavovací přípravek Adjustment gauges |
| tab. 38 | S741 610121 40 | Sada rychlepotřebovatelných náhradních dílů High mortality spare parts kit |
| tab. 39 | S794 222012 | Návěsné osvětlení Sewing lamp |

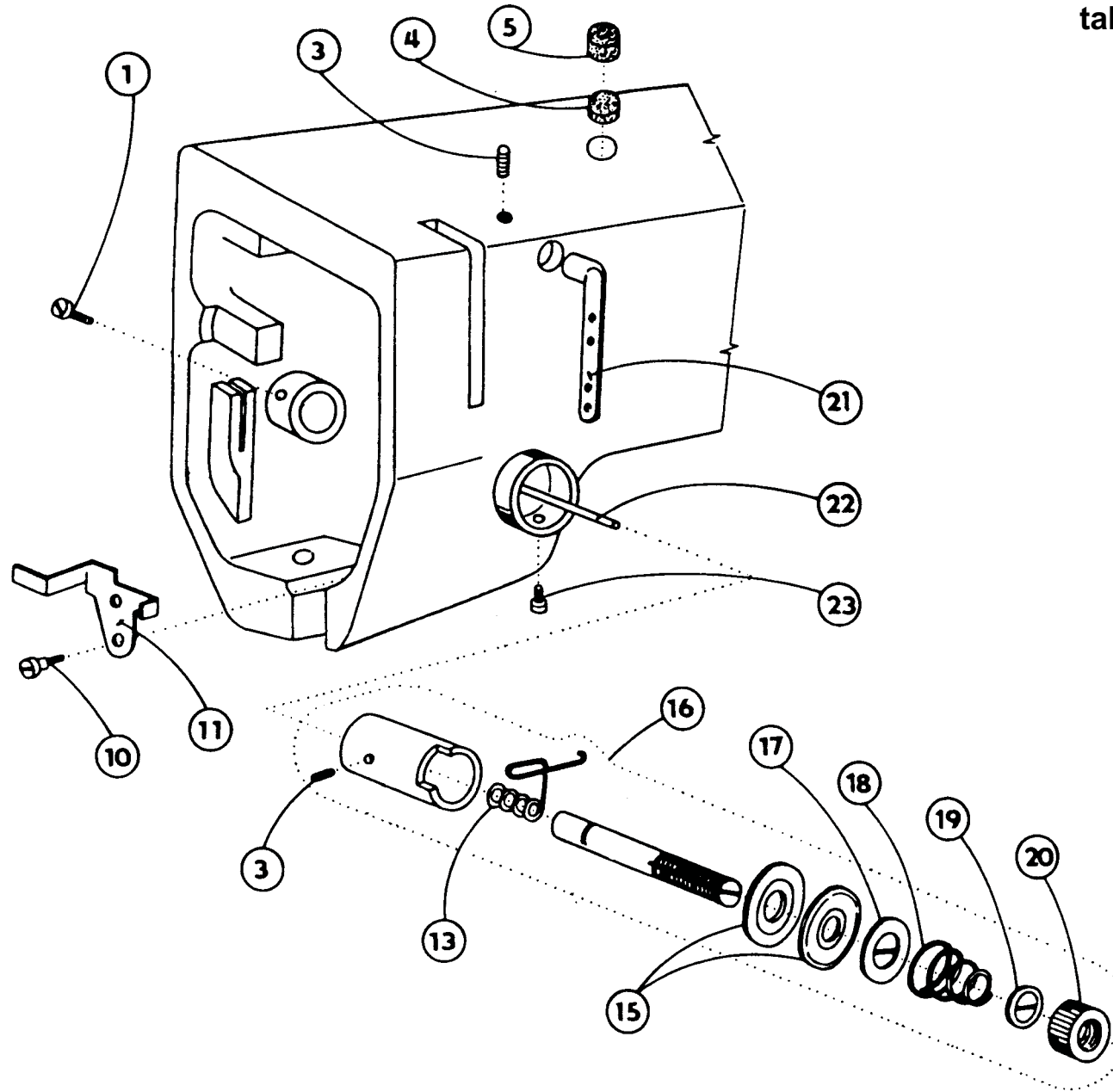
tab. 1



525 - 101

| | | |
|----|------|--------|
| 1 | S080 | 647228 |
| 2 | S080 | 123117 |
| 3 | S321 | 001000 |
| 4 | S080 | 840073 |
| 5 | S080 | 313204 |
| 6 | S080 | 161138 |
| 7 | S080 | 815007 |
| 9 | S080 | 831348 |
| 10 | S080 | 120248 |
| 11 | S080 | 721173 |
| 12 | S080 | 827180 |
| 13 | S080 | 123122 |
| 14 | S080 | 126063 |
| 15 | S080 | 823149 |
| 16 | S080 | 111227 |
| 17 | S080 | 271184 |
| 18 | S080 | 821115 |
| 19 | S080 | 821077 |
| 20 | S080 | 821113 |
| 21 | S080 | 120361 |
| 22 | S080 | 190368 |
| 23 | S080 | 132112 |
| 26 | S080 | 831494 |
| 27 | S080 | 123166 |
| 28 | S080 | 132153 |
| 29 | 9840 | 120030 |
| 30 | S080 | 120331 |
| 31 | 9840 | 120028 |
| 32 | S321 | 012000 |

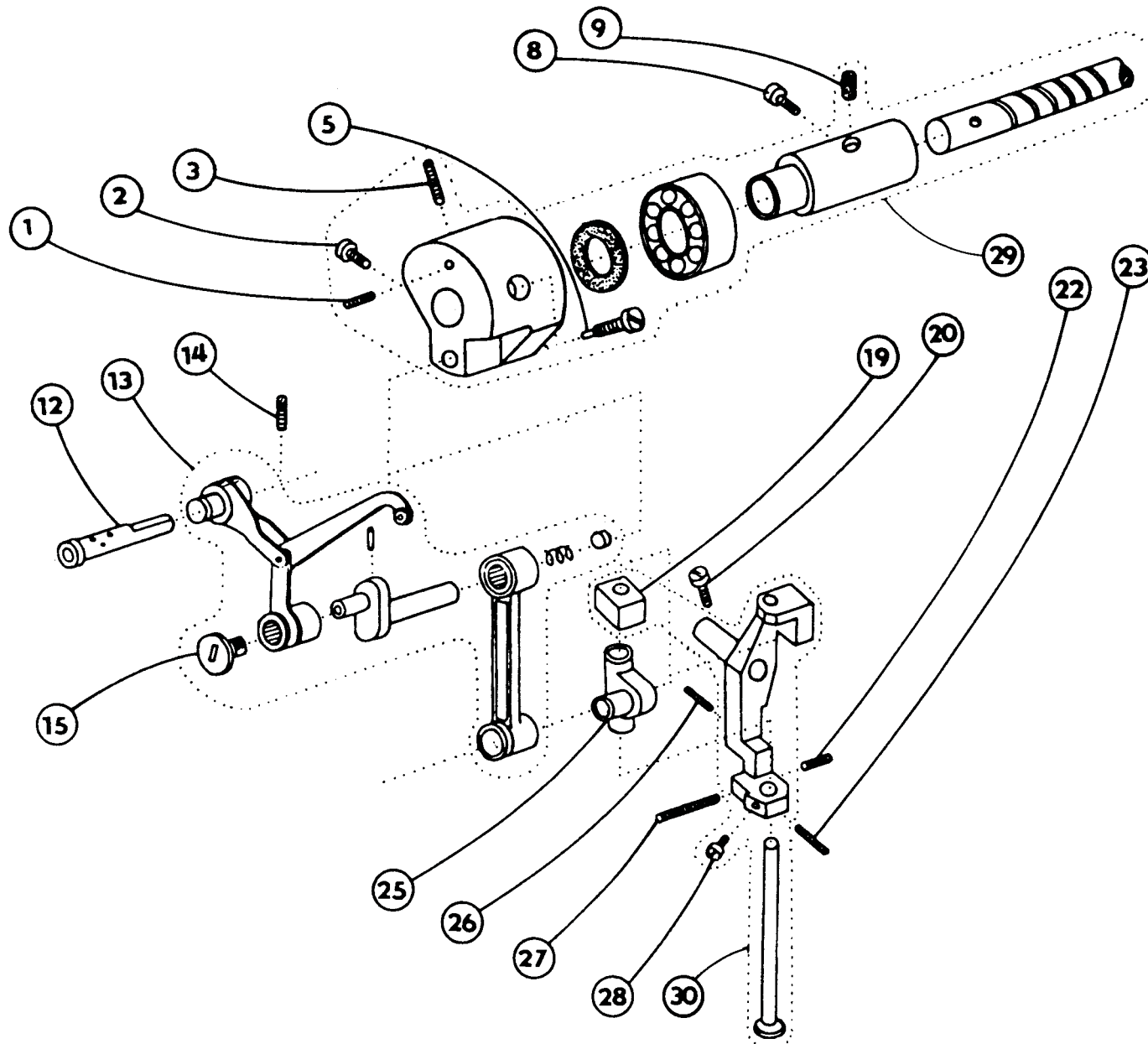
tab. 2



525 - 101

| | | |
|----|------|--------|
| 1 | S080 | 120248 |
| 3 | S080 | 111227 |
| 4 | S080 | 945100 |
| 5 | S080 | 945188 |
| 10 | S080 | 131027 |
| 11 | S080 | 822424 |
| 13 | S315 | 264294 |
| 15 | S080 | 828079 |
| 16 | S980 | 025245 |
| 17 | S080 | 828080 |
| 18 | S080 | 262073 |
| 19 | S080 | 195041 |
| 20 | S080 | 171037 |
| 21 | S080 | 272039 |
| 22 | S080 | 310428 |
| 23 | S080 | 120246 |

tab. 3

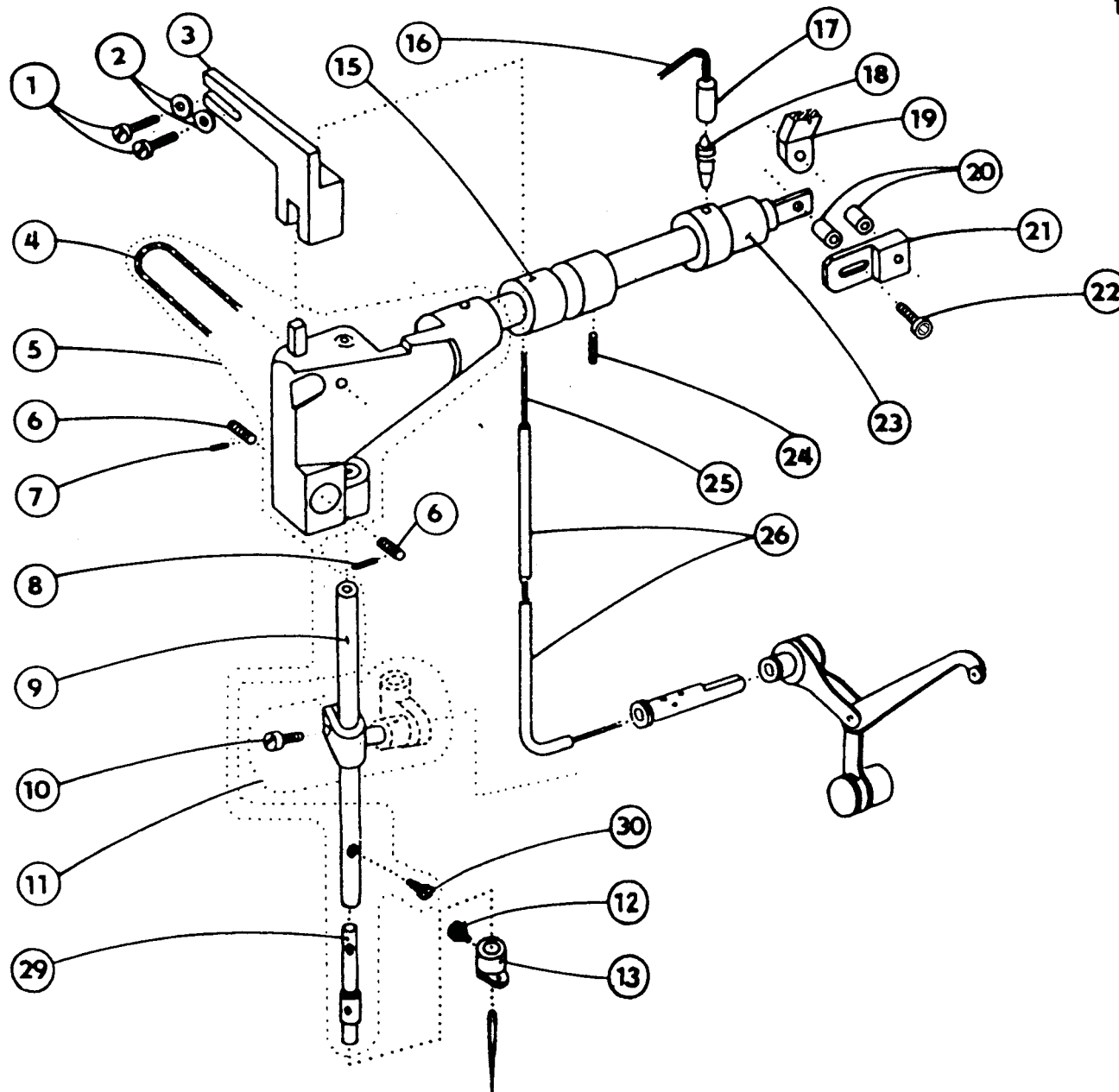


525 - 101

| | | |
|----|-------|--------|
| 1 | S080 | 111238 |
| 2 | S080 | 122008 |
| 3 | S080 | 112015 |
| 5 | S080 | 138009 |
| 8 | S080 | 120006 |
| 9 | S 080 | 953139 |
| 12 | S080 | 328005 |
| 13 | S980 | 044830 |
| 14 | S080 | 112014 |
| 15 | S080 | 120062 |
| 19 | S080 | 953159 |
| 20 | S080 | 120248 |
| 22 | S080 | 111214 |
| 23 | S080 | 111295 |
| 25 | S080 | 452047 |
| 26 | S080 | 111273 |
| 27 | S080 | 111126 |
| 28 | S080 | 120216 |
| 29 | S980 | 043298 |
| 30 | S980 | 035318 |

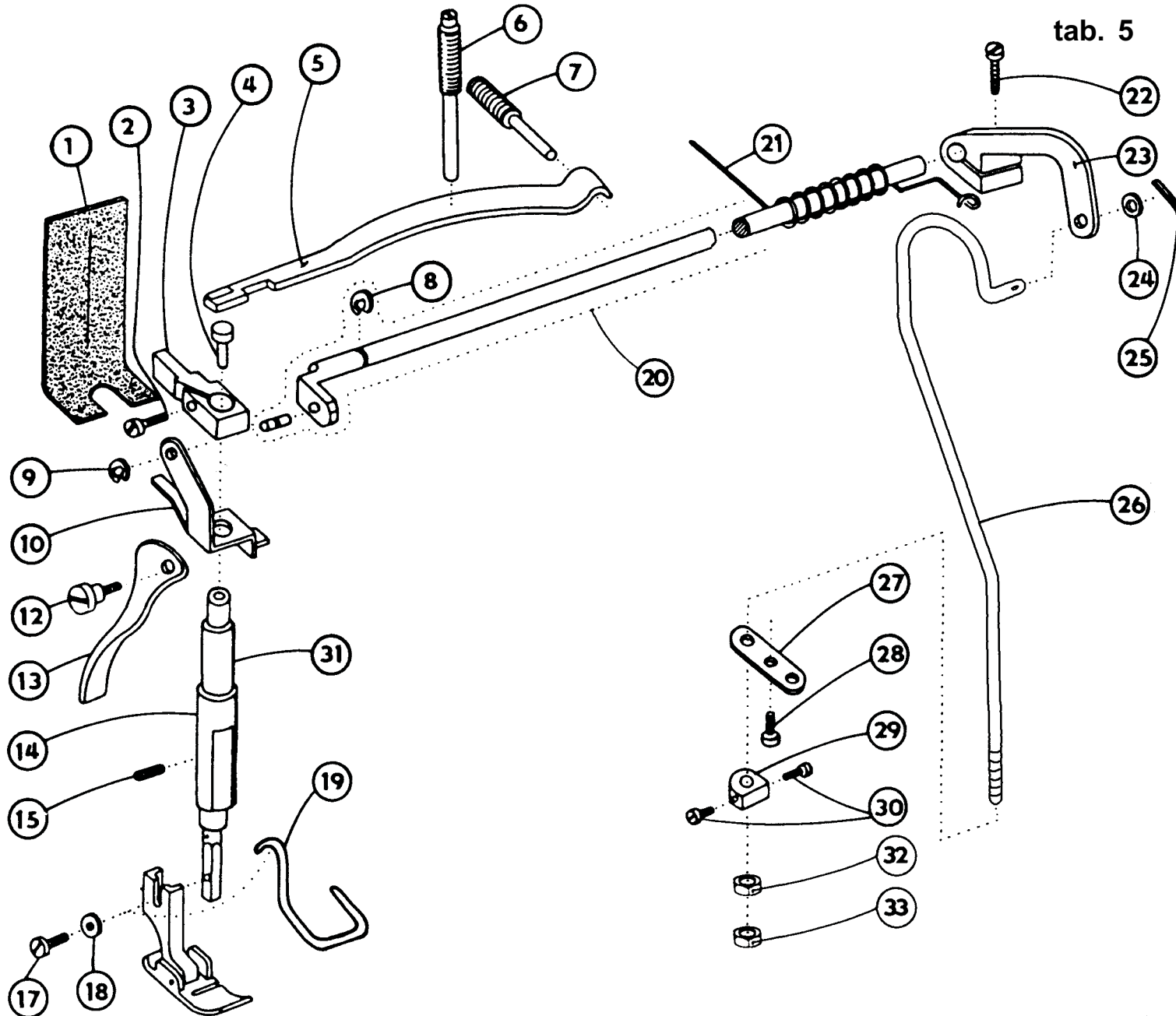
tab. 4

525 - 101



| | | |
|----|------|----------------------|
| 1 | S080 | 120276 |
| 2 | S080 | 190353 |
| 3 | S080 | 646104 |
| 4 | S708 | 002105 |
| | | ∅ 1,5 x 80 mm |
| 5 | S980 | 021338 |
| 6 | S080 | 113115 |
| 7 | S080 | 111229 |
| 8 | S080 | 111248 |
| 9 | S080 | 391155 |
| 10 | S080 | 124050 |
| 11 | S980 | 035499 |
| 12 | S080 | 135029 |
| 13 | S080 | 627170 |
| 15 | S080 | 413311 |
| 16 | S708 | 002105 |
| | | ∅ 1,5x 250 mm |
| 17 | S283 | 002005 |
| | | ∅ 3,5/∅ 4,8 x 190 mm |
| 18 | S080 | 424051 |
| 19 | S080 | 613519 |
| 20 | S080 | 410595 |
| 21 | S080 | 648132 |
| 22 | S080 | 120589 |
| 23 | S080 | 421341 |
| 24 | S080 | 111222 |
| 25 | S708 | 002105 |
| | | ∅ 1,5 x 150 mm |
| 26 | S283 | 002005 |
| | | ∅ 3,5/∅ 4,8 x 70 mm |
| 29 | S080 | 394167 |
| 30 | S080 | 136082 |

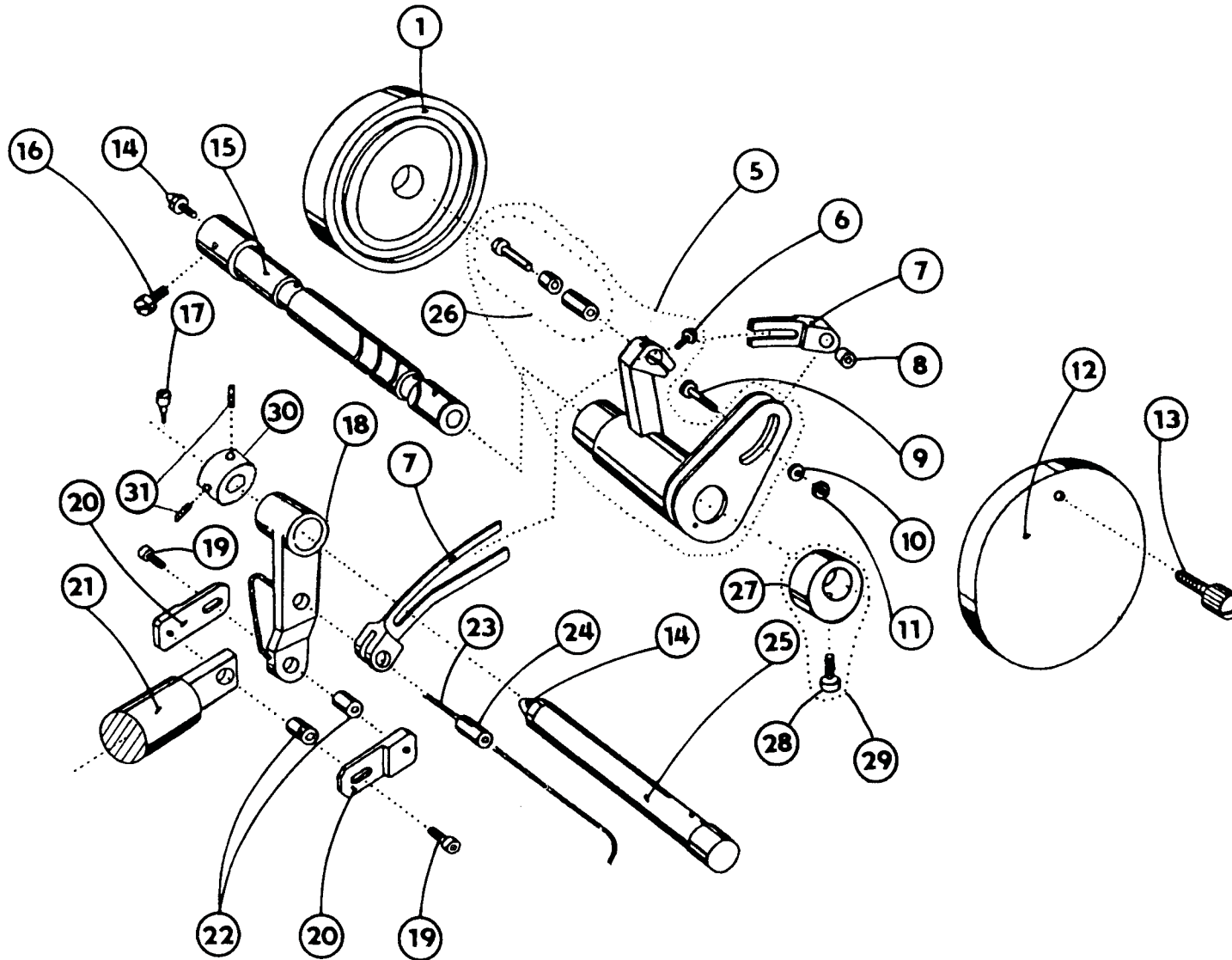
tab. 5



525 - 101

| | | |
|----|------|--------|
| 1 | S080 | 945317 |
| 2 | S080 | 120543 |
| 3 | S080 | 623249 |
| 4 | S080 | 326213 |
| 5 | S080 | 283152 |
| 6 | S080 | 113122 |
| 7 | S080 | 113123 |
| 8 | S311 | 732060 |
| 9 | S311 | 732040 |
| 10 | S080 | 839215 |
| 12 | S080 | 136023 |
| 13 | S080 | 615021 |
| 14 | S080 | 421330 |
| 15 | S080 | 112014 |
| 17 | S080 | 120239 |
| 18 | S080 | 190554 |
| 19 | S080 | 271393 |
| 20 | S980 | 060209 |
| 21 | S080 | 264338 |
| 22 | S080 | 120221 |
| 23 | S080 | 633196 |
| 24 | S080 | 190346 |
| 25 | S080 | 271337 |
| 26 | S080 | 382101 |
| 27 | S080 | 814014 |
| 28 | S080 | 120217 |
| 29 | S080 | 436331 |
| 30 | S080 | 120050 |
| 31 | S080 | 392105 |
| 32 | S080 | 161139 |
| 33 | S080 | 161333 |

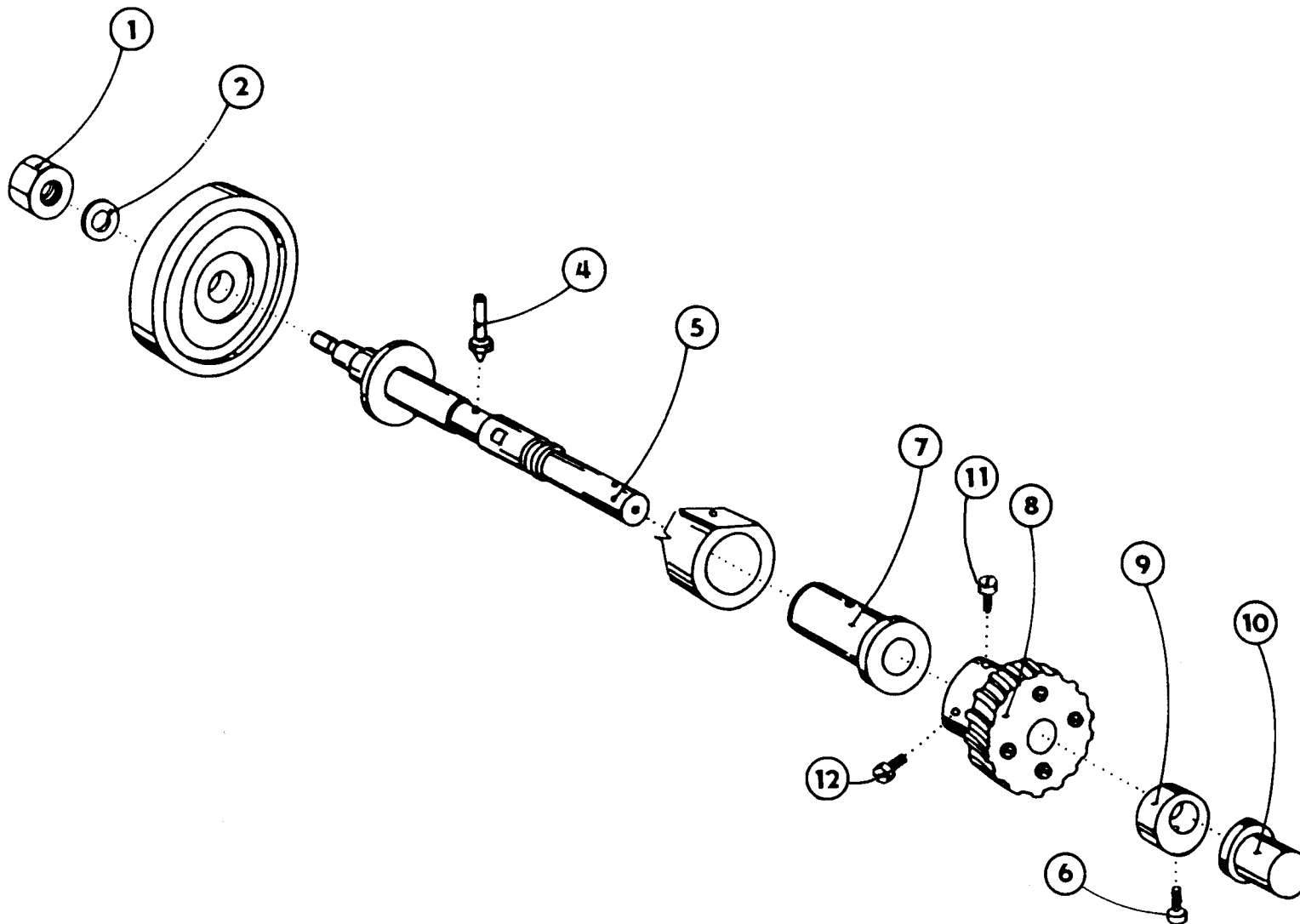
tab. 6



525 - 101

| | | |
|----|------|--------|
| 1 | S080 | 674124 |
| 5 | S980 | 044847 |
| 6 | S080 | 141157 |
| 7 | S080 | 632166 |
| 8 | S080 | 410569 |
| 9 | S980 | 043379 |
| 10 | S080 | 190346 |
| 11 | S080 | 161180 |
| 12 | S321 | 951297 |
| 13 | S080 | 133022 |
| 14 | S425 | 041000 |
| 15 | S080 | 335122 |
| 16 | S080 | 120006 |
| 17 | S080 | 132203 |
| 18 | S080 | 613519 |
| 19 | S080 | 120589 |
| 20 | S080 | 648132 |
| 21 | S980 | 021338 |
| 22 | S080 | 410595 |
| 23 | S708 | 130002 |
| 24 | S080 | 318210 |
| 25 | S080 | 320289 |
| 26 | S980 | 035521 |
| 27 | S080 | 436063 |
| 28 | S080 | 120276 |
| 29 | S980 | 046984 |
| 30 | S080 | 436000 |
| 31 | S080 | 112013 |

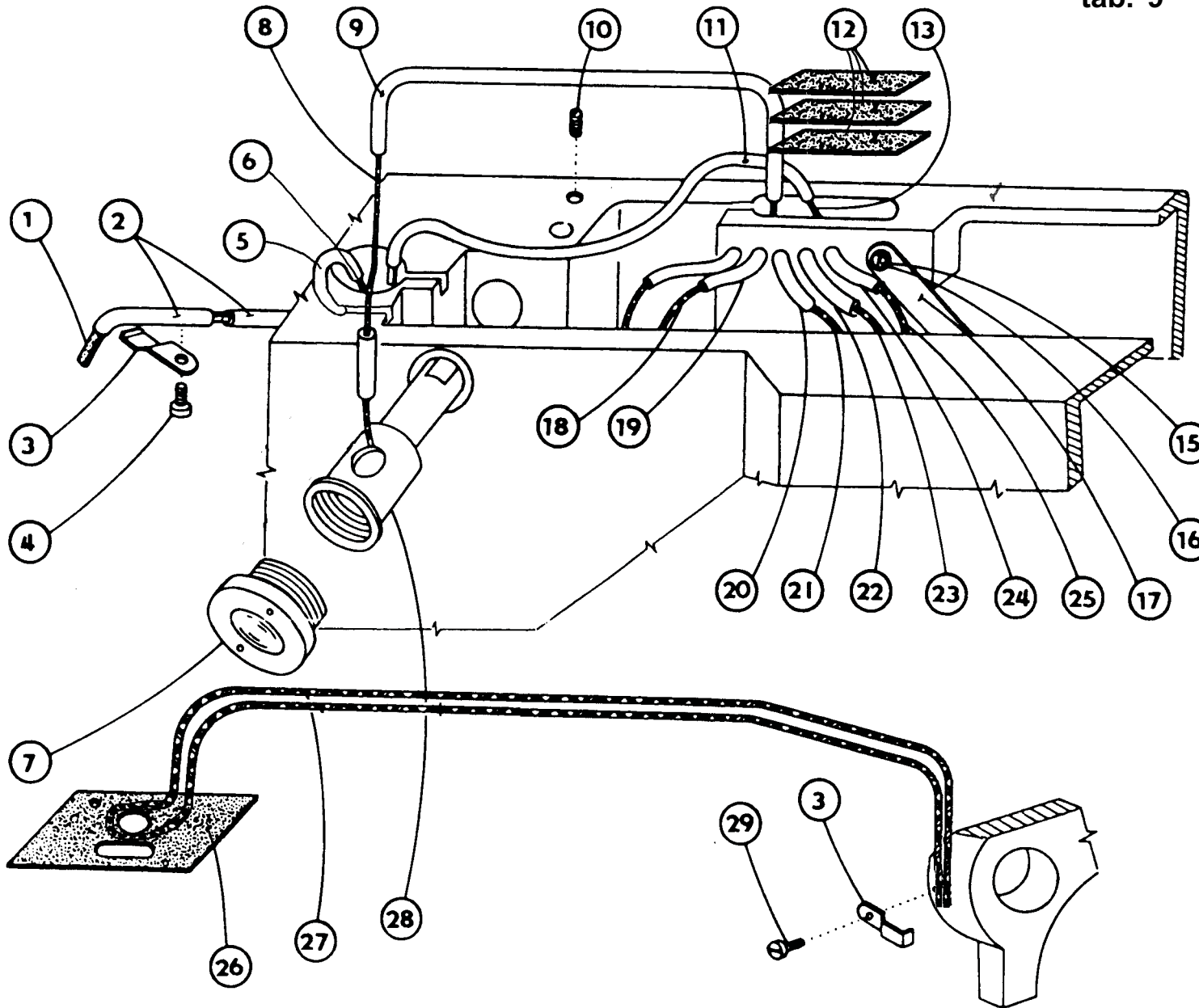
tab. 7



525 - 101

| | | |
|----|------|--------|
| 1 | S080 | 161234 |
| 2 | S080 | 191117 |
| 4 | S080 | 441251 |
| 5 | S980 | 043380 |
| 6 | S080 | 120276 |
| 7 | S080 | 413358 |
| 8 | S980 | 045422 |
| 9 | S080 | 436063 |
| 10 | S080 | 422190 |
| 11 | S080 | 122008 |
| 12 | S080 | 135026 |

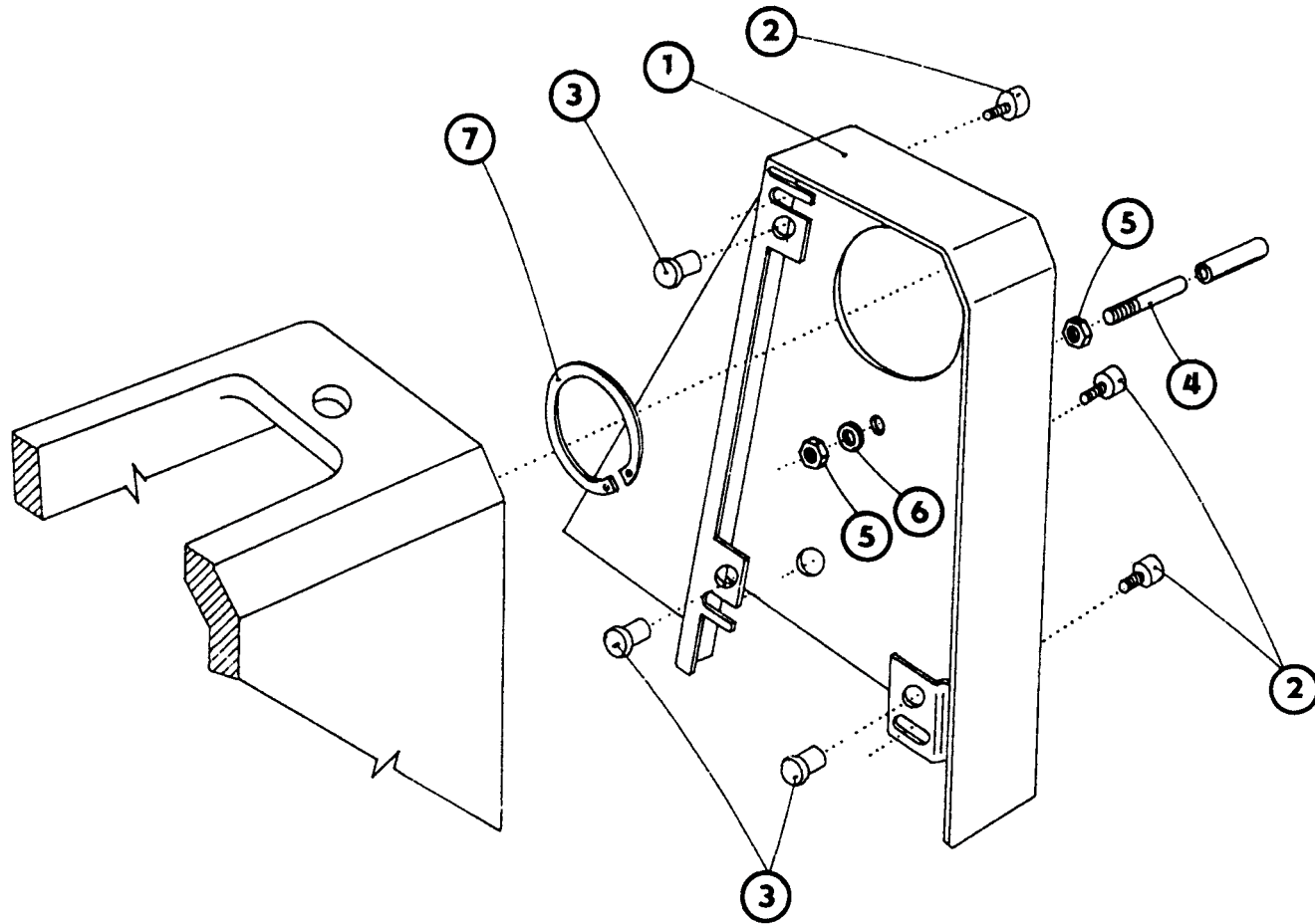
tab. 9



525 - 101

| | | |
|----|------|--------------------------------|
| 1 | S080 | 945180 |
| 2 | S283 | 002005 ø 3,5/ø 4,8 x 65 mm |
| 3 | S080 | 824095 |
| 4 | S080 | 120245 |
| 5 | S283 | 002005 ø 3,5/ø 4,8 x 80 mm |
| 6 | S708 | 130002 ø 2 x 140 mm |
| 7 | S321 | 001002 |
| 8 | S708 | 002105 ø 1,5 x 380 mm |
| 9 | S283 | 002005 ø 3,5/ø 4,8 x 150 mm |
| 10 | S080 | 111245 |
| 11 | S283 | 002005 ø 3,5/ø 4,8 x 150 mm |
| 12 | S080 | 945316 |
| 13 | S708 | 002105 ø 1,5 x 380 mm |
| 15 | S080 | 120259 |
| 16 | S080 | 190359 |
| 17 | S980 | 041209 |
| 18 | S708 | 130002 ø 2 x 320 mm |
| 19 | S283 | 002005 ø 3,5/ø 4,8 x 250 mm |
| 20 | S283 | 002005 ø 3,5/ø 4,8 x 160 mm |
| 21 | S708 | 130002 ø 2 x 200 mm |
| 22 | S283 | 002005 ø 3,5/ø 4,8 x 90 mm |
| 23 | S708 | 130002 ø 2 x 130 mm |
| 24 | S283 | 002005 ø 3,5/ø 4,8 x 100 mm |
| 25 | S708 | 130002 ø 2 x 140 mm |
| 26 | S080 | 945286 |
| 27 | S708 | 130004 ø 4 x 1120 mm |
| 28 | S080 | 441313 |
| 29 | S080 | 120216 |

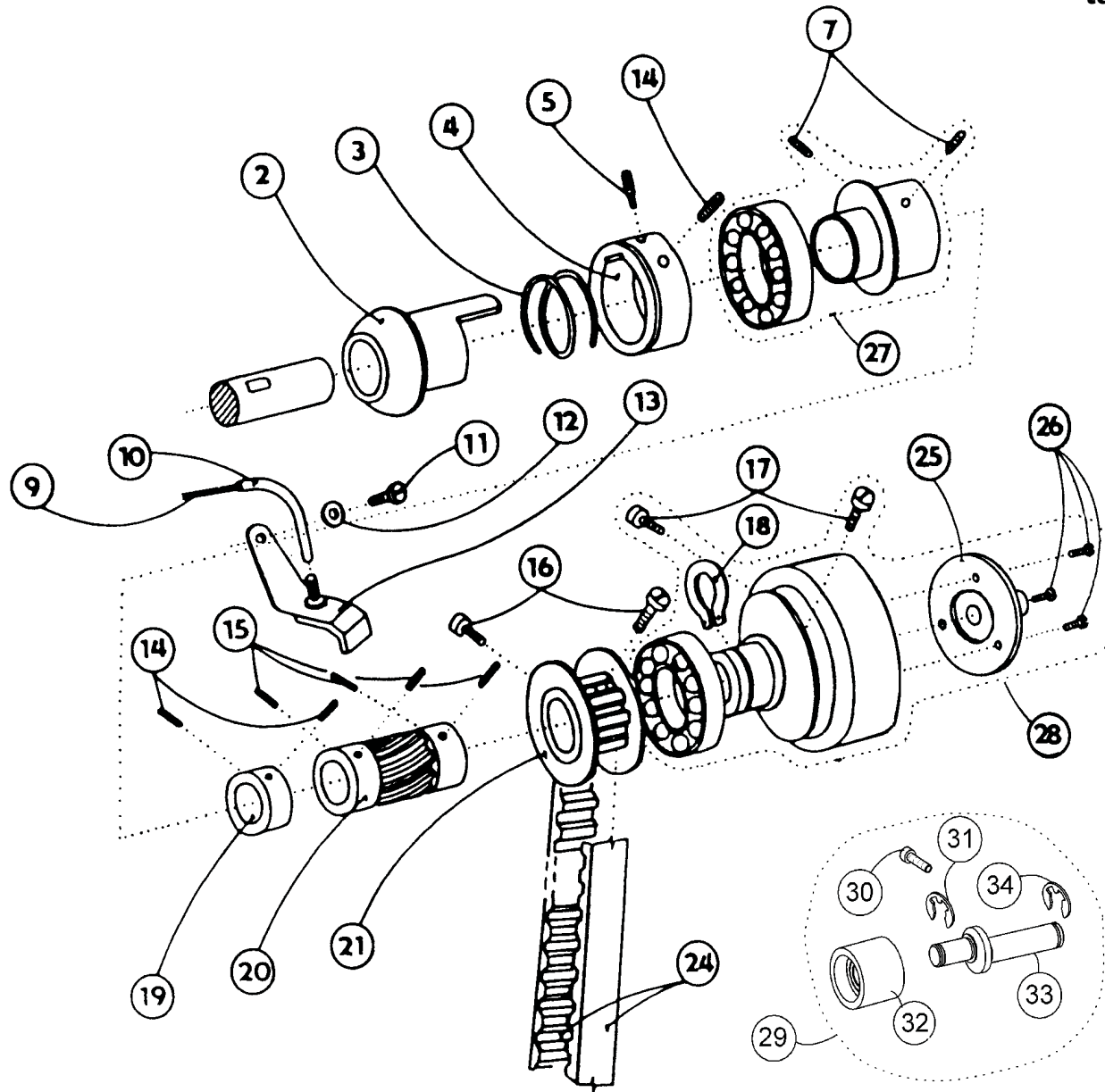
tab. 10



525 - 101

| | | |
|---|------|--------|
| 1 | S980 | 041162 |
| 2 | S080 | 120346 |
| 3 | S273 | 005001 |
| 4 | S080 | 316096 |
| 5 | S080 | 161151 |
| 6 | S080 | 191112 |
| 7 | S311 | 733620 |

tab. 11

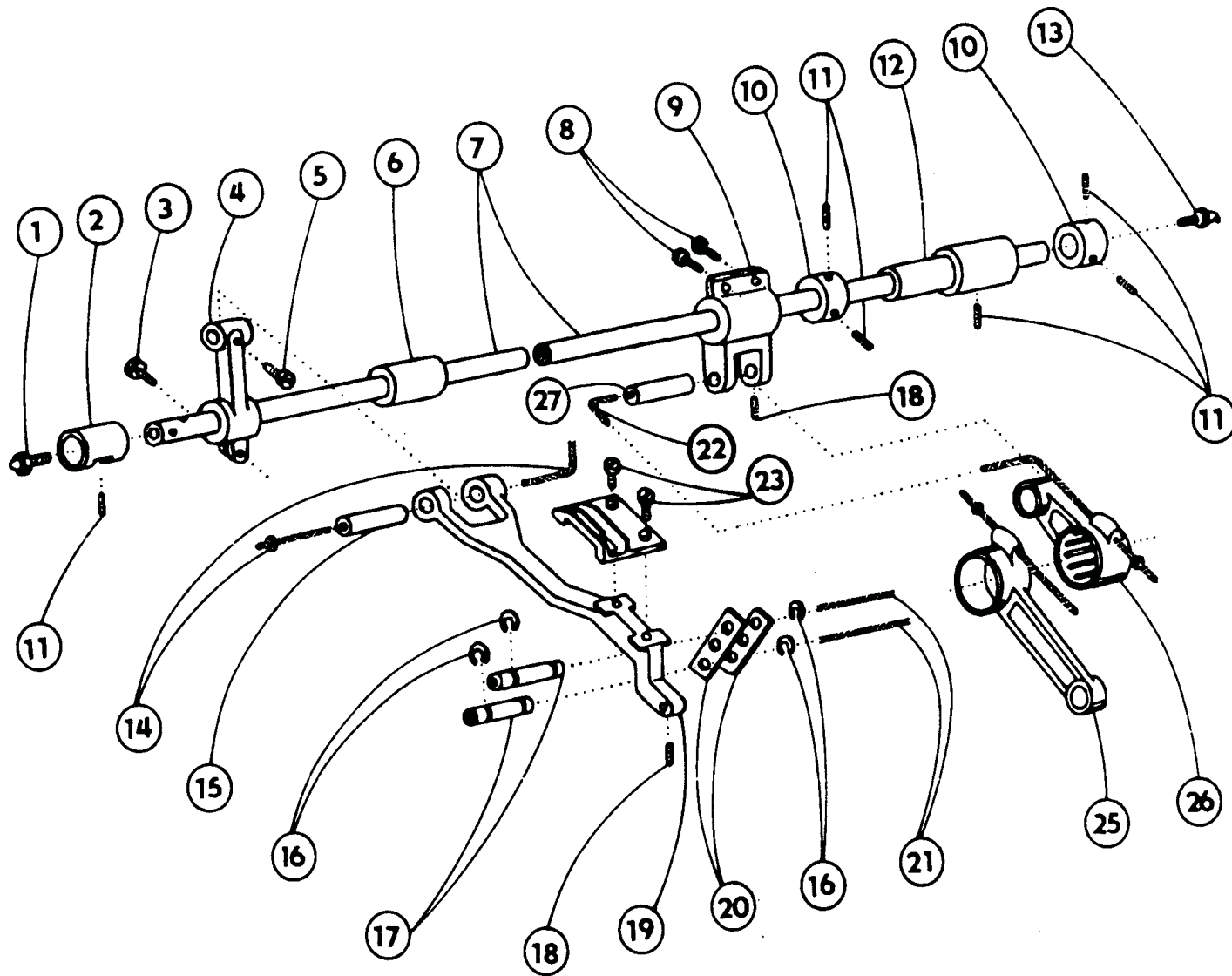


525 - 101

| | | |
|----|------|-------------------------------|
| 2 | S080 | 441541 |
| 3 | S080 | 260467 |
| 4 | S080 | 436338 |
| 5 | S080 | 113115 |
| 7 | S080 | 111225 |
| 9 | S708 | 130002 ø 2 x 130 mm |
| 10 | S283 | 002005 ø 3,5/ø 4,8 x 90 mm |
| 11 | S080 | 120259 |
| 12 | S080 | 190359 |
| 13 | S980 | 041209 |
| 14 | S080 | 112013 |
| 15 | S080 | 111102 |
| 16 | S080 | 122029 |
| 17 | S080 | 120006 |
| 18 | S311 | 733300 |
| 19 | S080 | 436388 |
| 20 | S080 | 570051 |
| 21 | S980 | 045315 |
| 24 | S272 | 011015 |
| 25 | S080 | 442548 |
| 26 | S080 | 120252 |
| 27 | S980 | 035849 |
| 28 | S980 | 045301 |
| 29 | S981 | 043513 |
| 30 | 9205 | 102798 |
| 31 | 9352 | 000090 |
| 32 | S980 | 045578 |
| 33 | S080 | 338247 |
| 34 | 9352 | 000100 |

tab. 12

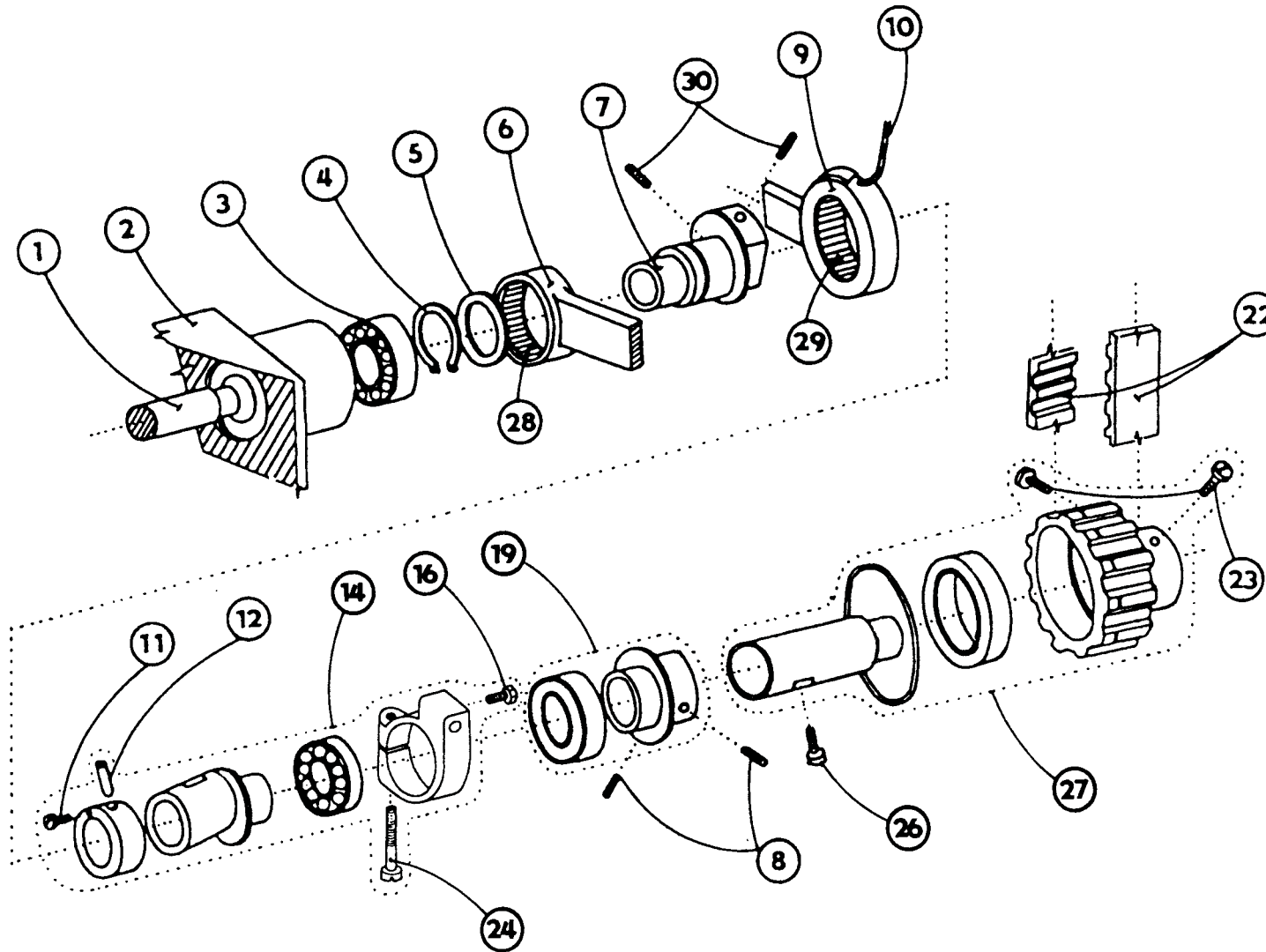
525 - 101



| | | |
|----|------|----------------|
| 1 | S425 | 041000 |
| 2 | S080 | 413252 |
| 3 | S080 | 141133 |
| 4 | S080 | 613495 |
| 5 | S080 | 124050 |
| 6 | S080 | 410532 |
| 7 | S080 | 345067 |
| 8 | S080 | 120229 |
| 9 | S080 | 613216 |
| 10 | S080 | 436000 |
| 11 | S080 | 112013 |
| 12 | S080 | 412193 |
| 13 | S425 | 061000 |
| 14 | S708 | 002105 |
| | | ø 1,5 x 160 mm |
| 15 | S080 | 338069 |
| 16 | S311 | 732050 |
| 17 | S080 | 318144 |
| 18 | S080 | 111227 |
| 19 | S080 | 622092 |
| 20 | S080 | 612109 |
| 21 | S708 | 002105 |
| | | ø 1,5 x 60 mm |
| 22 | S708 | 002105 |
| | | ø 1,5 x 350 mm |
| 23 | S080 | 121157 |
| 25 | S080 | 630248 |
| 26 | S980 | 044045 |
| 27 | S080 | 344035 |

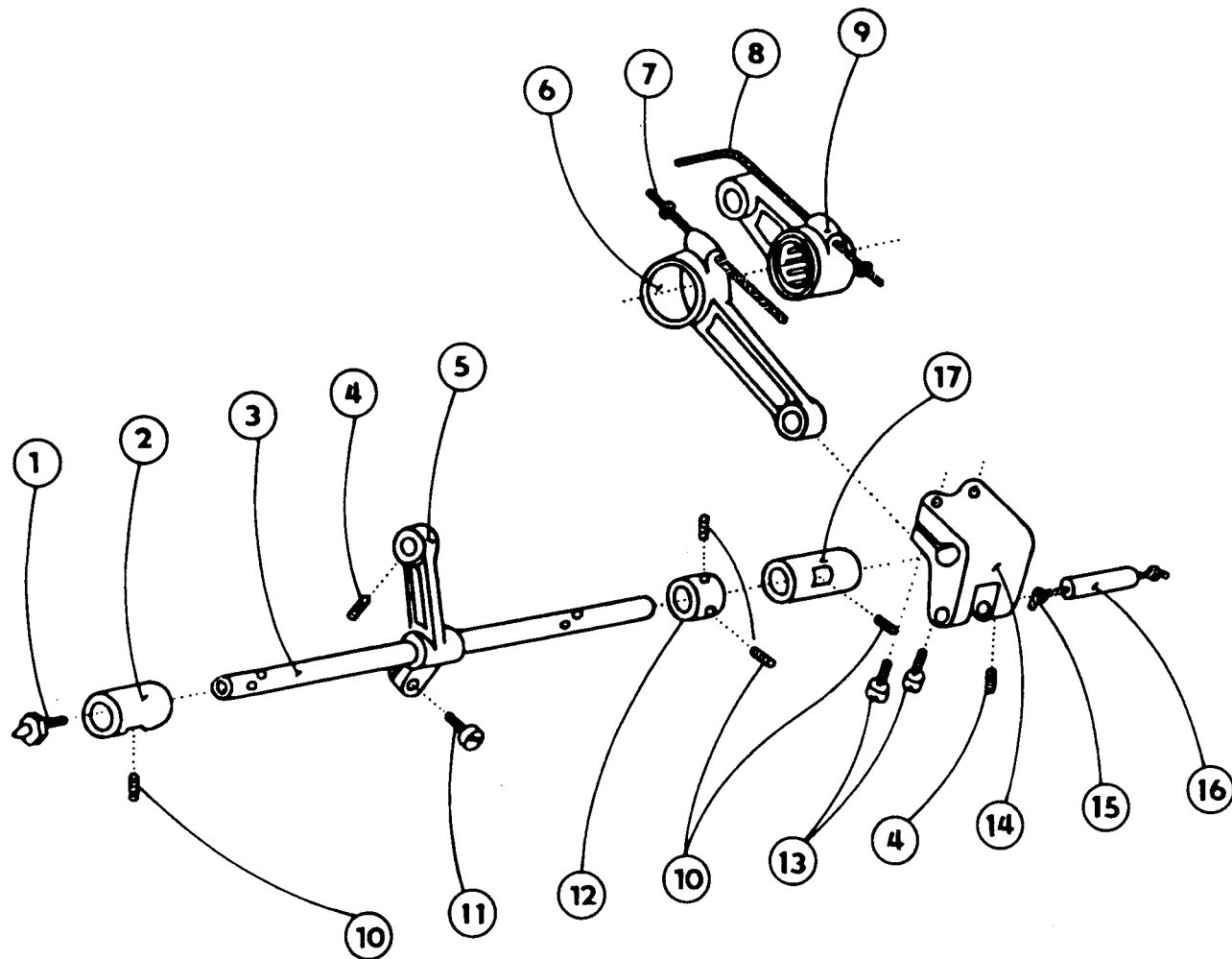
tab. 13

525 - 101



| | | |
|----|------|----------------|
| 1 | S080 | 342243 |
| 2 | S080 | 724134 |
| 3 | S324 | 020093 |
| 4 | S311 | 733180 |
| 5 | S080 | 814338 |
| 6 | S080 | 630248 |
| 7 | S080 | 671152 |
| 8 | S080 | 112013 |
| 9 | S980 | 044045 |
| 10 | S708 | 002105 |
| | | ø 1,5 x 350 mm |
| 11 | S080 | 141088 |
| 12 | S080 | 318103 |
| 14 | S980 | 035422 |
| 16 | S080 | 141102 |
| 19 | S980 | 035420 |
| 22 | S272 | 011015 |
| 23 | S080 | 122029 |
| 24 | S080 | 120222 |
| 26 | S080 | 122031 |
| 27 | S980 | 045231 |
| 28 | S324 | 510900 |
| 29 | S324 | 512900 |
| 30 | S080 | 111343 |

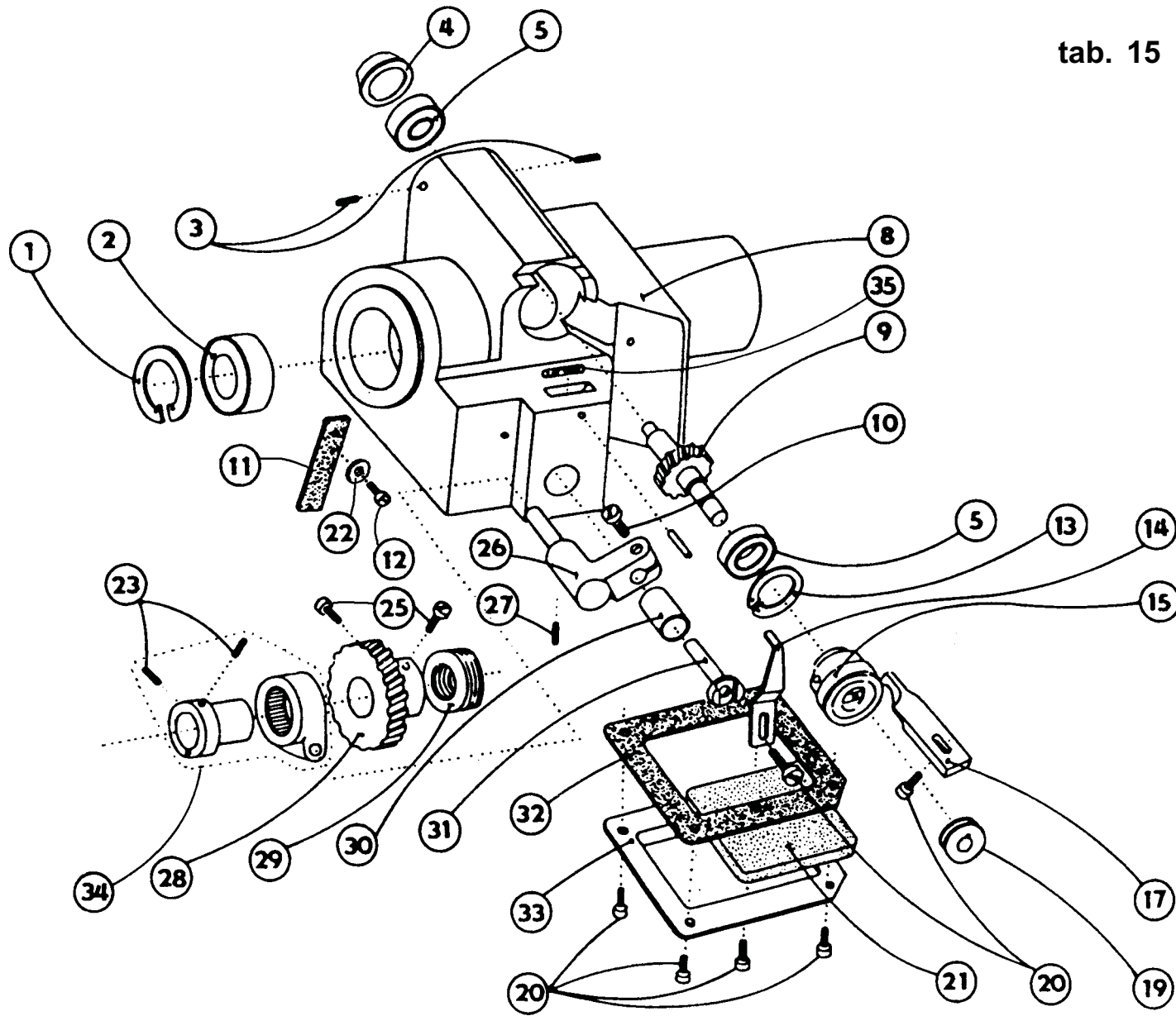
tab. 14



525 - 101

| | | |
|----|------|----------------|
| 1 | S425 | 041000 |
| 2 | S080 | 413251 |
| 3 | S080 | 345065 |
| 4 | S080 | 111227 |
| 5 | S080 | 613195 |
| 6 | S080 | 630248 |
| 7 | S708 | 002105 |
| | | ø 1,5 x 220 mm |
| 8 | S708 | 002105 |
| | | ø 1,5 x 350 mm |
| 9 | S980 | 044045 |
| 10 | S080 | 112013 |
| 11 | S080 | 120229 |
| 12 | S080 | 436000 |
| 13 | S080 | 120231 |
| 14 | S080 | 613152 |
| 15 | S708 | 130002 |
| | | ø 2 x 60 mm |
| 16 | S080 | 344035 |
| 17 | S080 | 410538 |

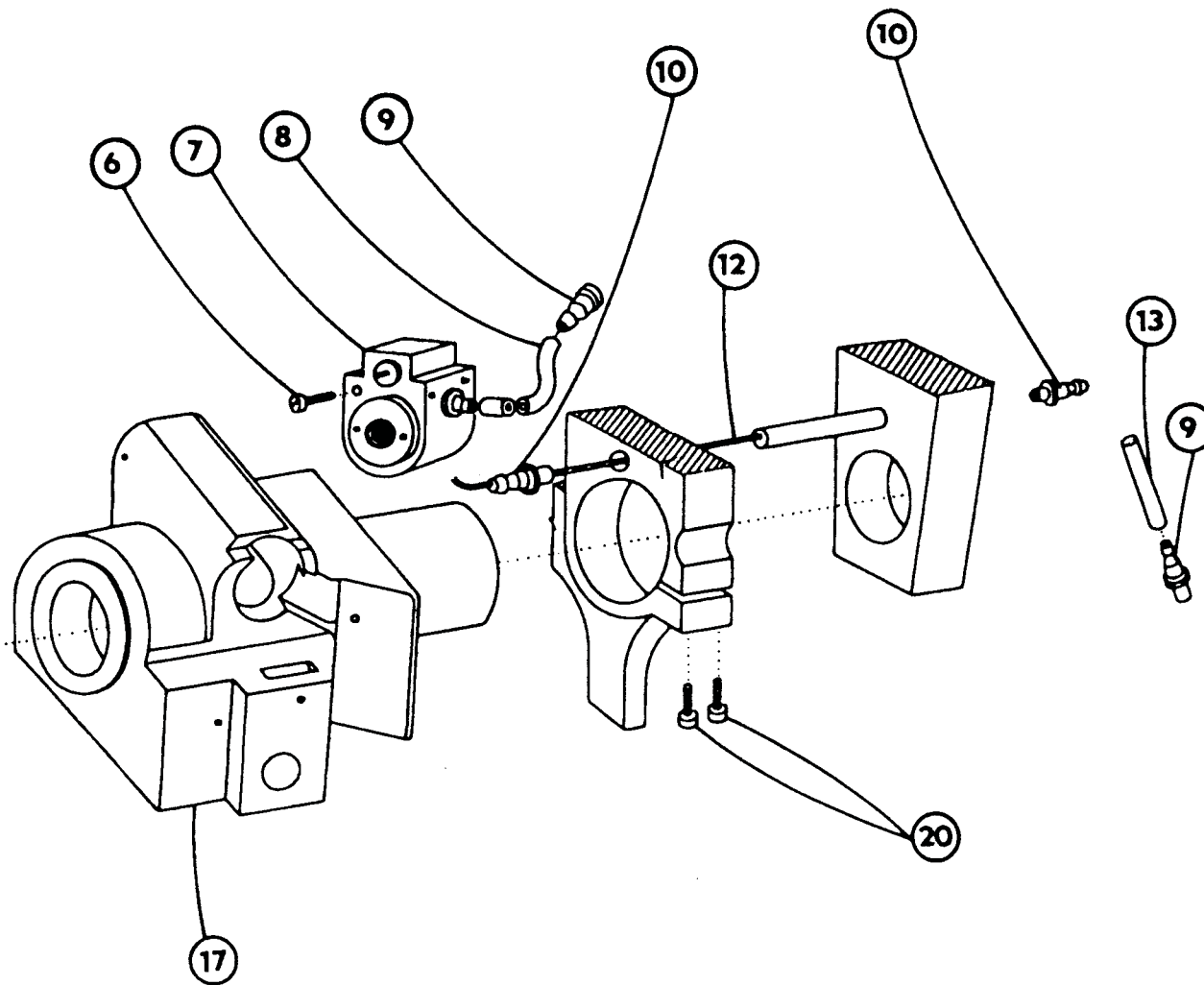
tab. 15



525 - 101

| | | |
|----|------|-------------|
| 1 | S311 | 733260 |
| 2 | S324 | 920796 |
| 3 | S080 | 111219 |
| 4 | S080 | 441287 |
| 5 | S324 | 910093 |
| 8 | S080 | 724134 |
| 9 | S080 | 552168 |
| 10 | S080 | 120226 |
| 11 | S080 | 945283 |
| 12 | S080 | 120601 |
| 13 | S311 | 733221 |
| 14 | S080 | 825740 |
| 15 | S980 | 008250 |
| 17 | S080 | 825744 |
| 19 | S080 | 685051 |
| 20 | S080 | 120246 |
| 21 | S080 | 945285 |
| 22 | S080 | 190379 |
| 23 | S080 | 111343 |
| 25 | S080 | 122007 |
| 26 | S080 | 613466 |
| 27 | S080 | 111094 |
| 28 | S080 | 552167 |
| 29 | S324 | 010000 |
| 30 | S080 | 410530 |
| 31 | S080 | 323155 |
| 32 | S080 | 990134 |
| 33 | S080 | 827179 |
| 34 | S980 | 035406 |
| 35 | S708 | 130002 |
| | | ø 2 x 40 mm |

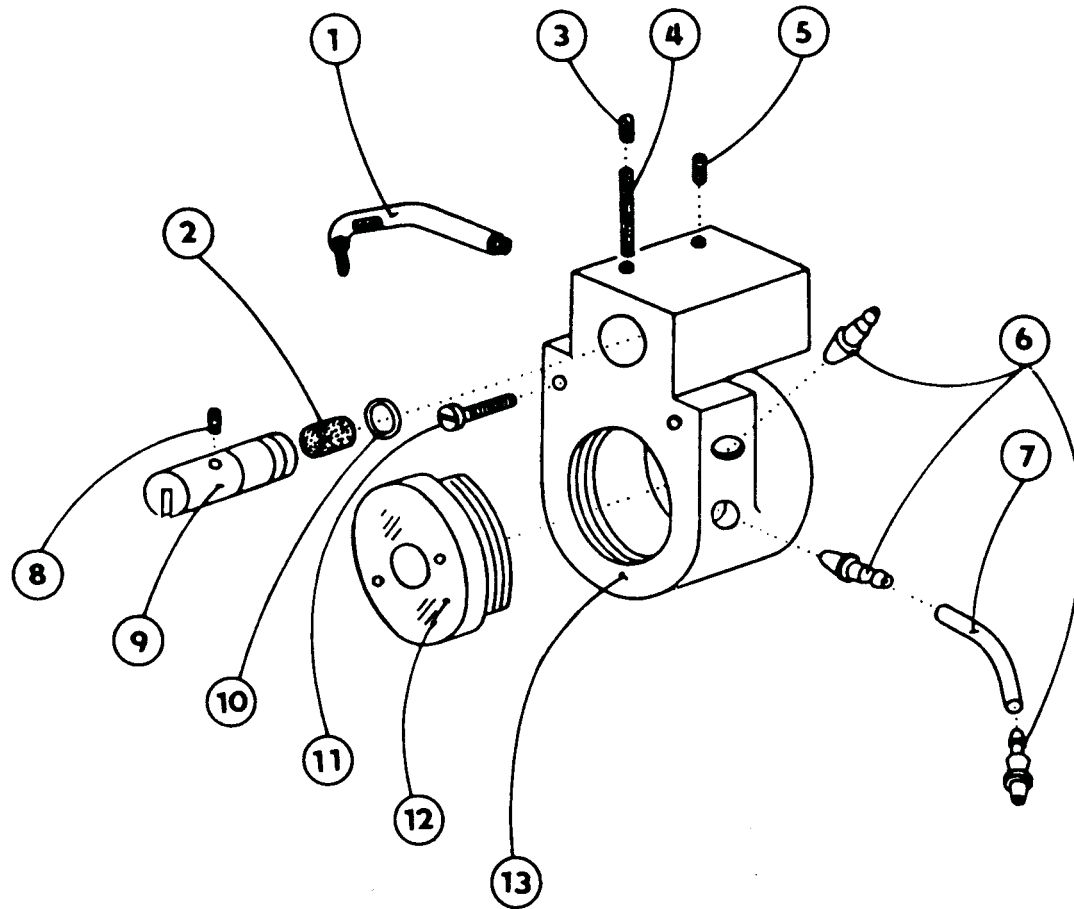
tab. 16



525 - 101

| | | |
|----|------|--------------------------------|
| 6 | S080 | 120269 |
| 7 | S980 | 035528 |
| 8 | S283 | 002005 ø 3,5/ø 4,8 x 100 mm |
| 9 | S080 | 424051 |
| 10 | S080 | 424060 |
| 12 | S708 | 130005 ø 5 x 300 mm |
| 13 | S283 | 002001 ø 3,5/ø 4,8 x 170 mm |
| 17 | S080 | 724134 |
| 20 | S080 | 120425 |

tab. 17

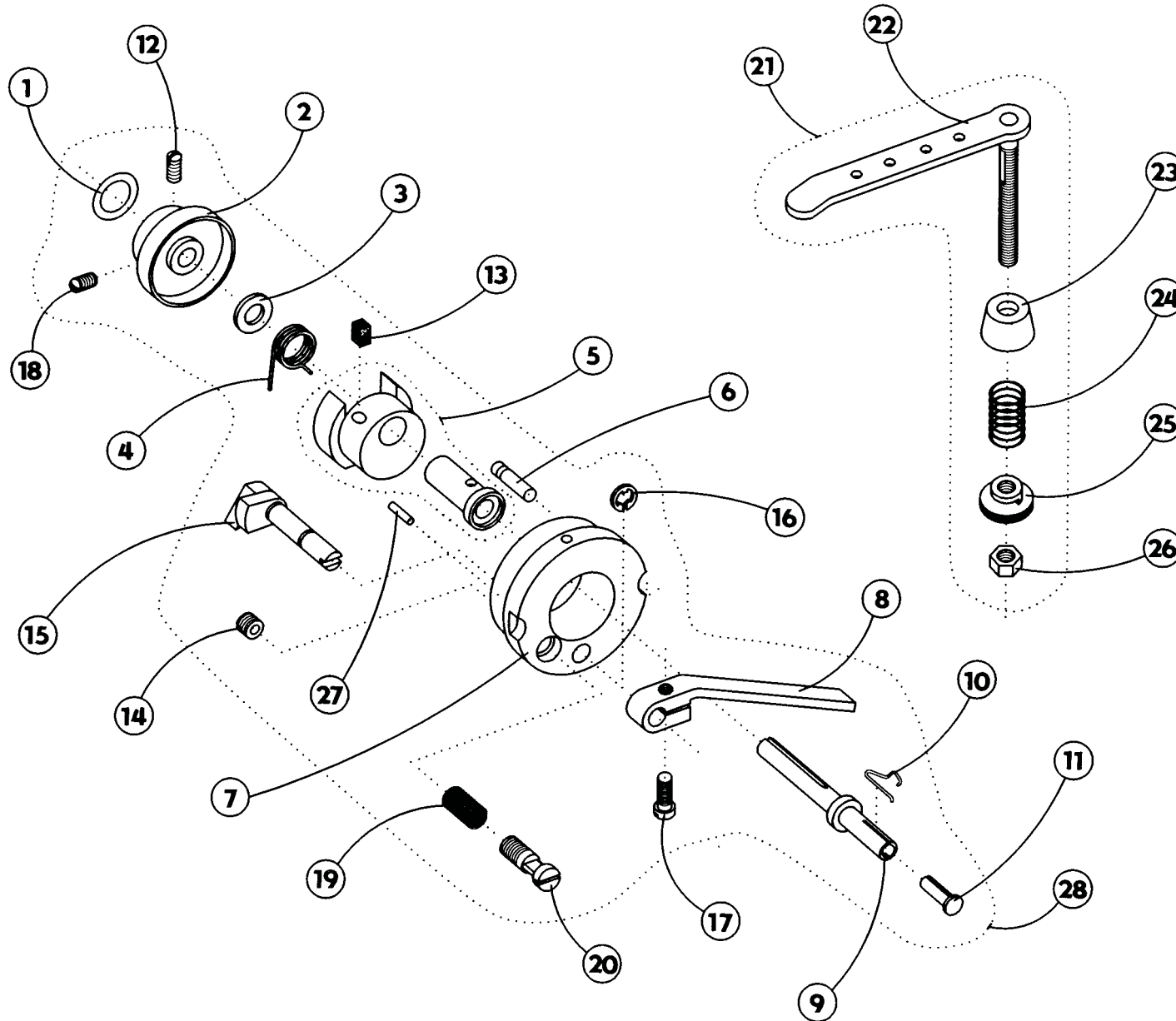


525 - 101

- | | | |
|----|------|----------------------|
| 1 | S980 | 035525 |
| 2 | S080 | 945077 |
| 3 | S080 | 111252 |
| 4 | S080 | 945185 |
| 5 | S080 | 111233 |
| 6 | S080 | 424051 |
| 7 | S283 | 002001 |
| | | ø 3,5/ø 4,8 x 100 mm |
| 8 | S080 | 945170 |
| 9 | S080 | 346053 |
| 10 | S273 | 001001 |
| 11 | S080 | 120269 |
| 12 | S321 | 001002 |
| 13 | S080 | 725023 |

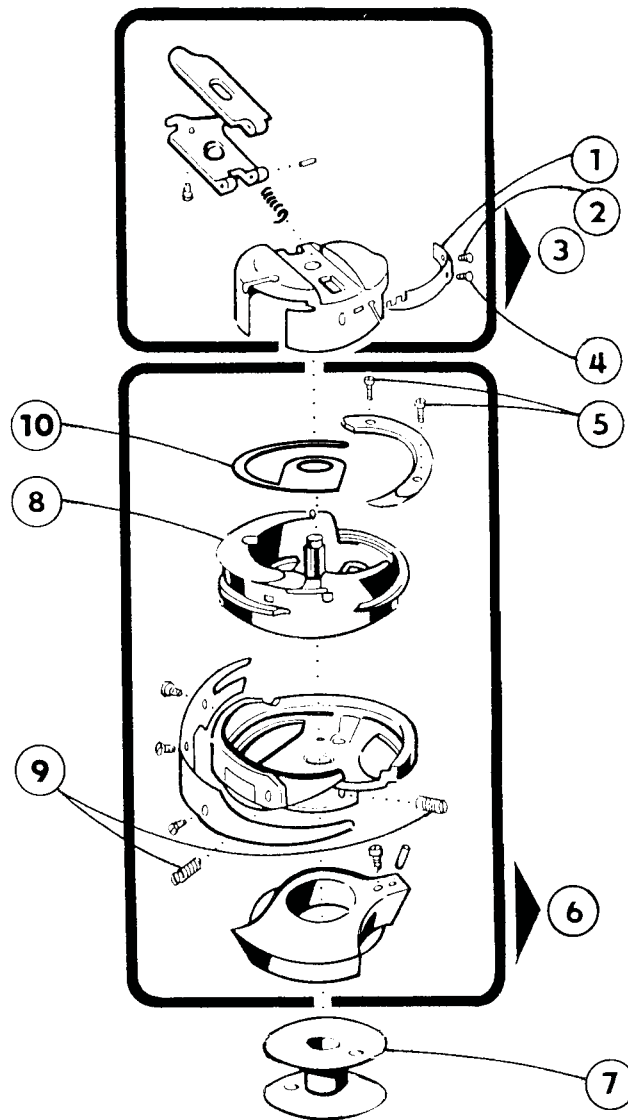
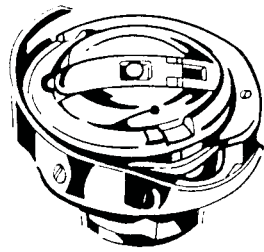
tab. 18

525 - 101



| | | |
|----|------|--------|
| 1 | S273 | 025410 |
| 2 | S080 | 441560 |
| 3 | S080 | 190593 |
| 4 | S080 | 264281 |
| 5 | S980 | 035654 |
| 6 | S080 | 310377 |
| 7 | S080 | 441308 |
| 8 | S080 | 613468 |
| 9 | S080 | 343074 |
| 10 | S080 | 265037 |
| 11 | S321 | 953200 |
| 12 | S080 | 112115 |
| 13 | S080 | 945296 |
| 14 | S080 | 111094 |
| 15 | S080 | 672174 |
| 16 | S311 | 732040 |
| 17 | S080 | 124050 |
| 18 | S080 | 111230 |
| 19 | S080 | 260483 |
| 20 | S080 | 870170 |
| 21 | S980 | 025248 |
| 22 | S980 | 025249 |
| 23 | S080 | 827194 |
| 24 | S080 | 260510 |
| 25 | S080 | 163106 |
| 26 | S080 | 161138 |
| 27 | S311 | 515091 |
| 28 | S980 | 036122 |

tab. 19



525 - 101

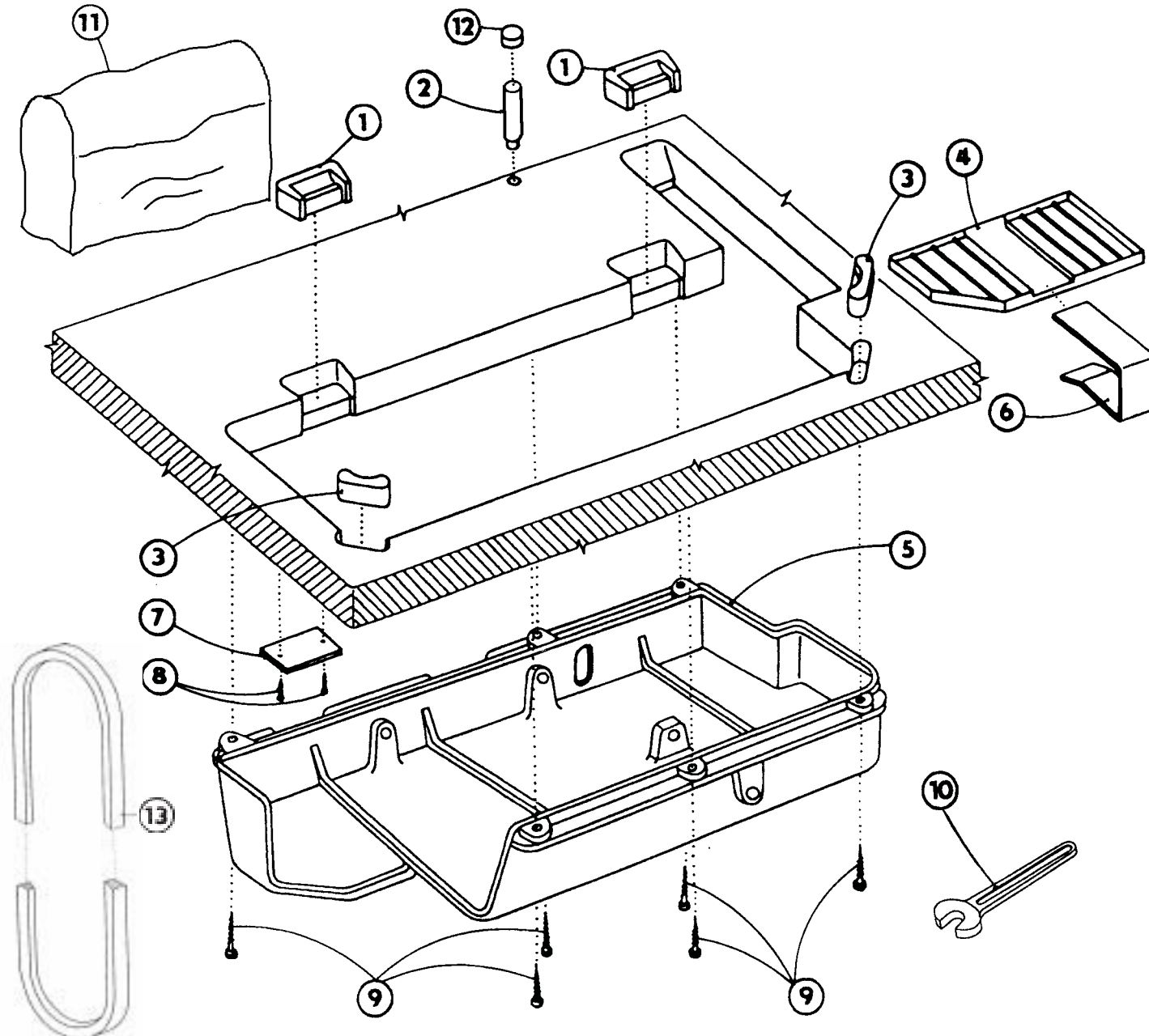
S980 008250

| | | |
|----|------|--------|
| 1 | S080 | 690029 |
| 2 | S080 | 683063 |
| 3 | S980 | 081133 |
| 4 | S080 | 683053 |
| 5 | S080 | 683064 |
| 6 | S980 | 081126 |
| 7 | S080 | 685051 |
| 8 | S080 | 677023 |
| 9 | S080 | 683067 |
| 10 | S080 | 690034 |

tab. 20

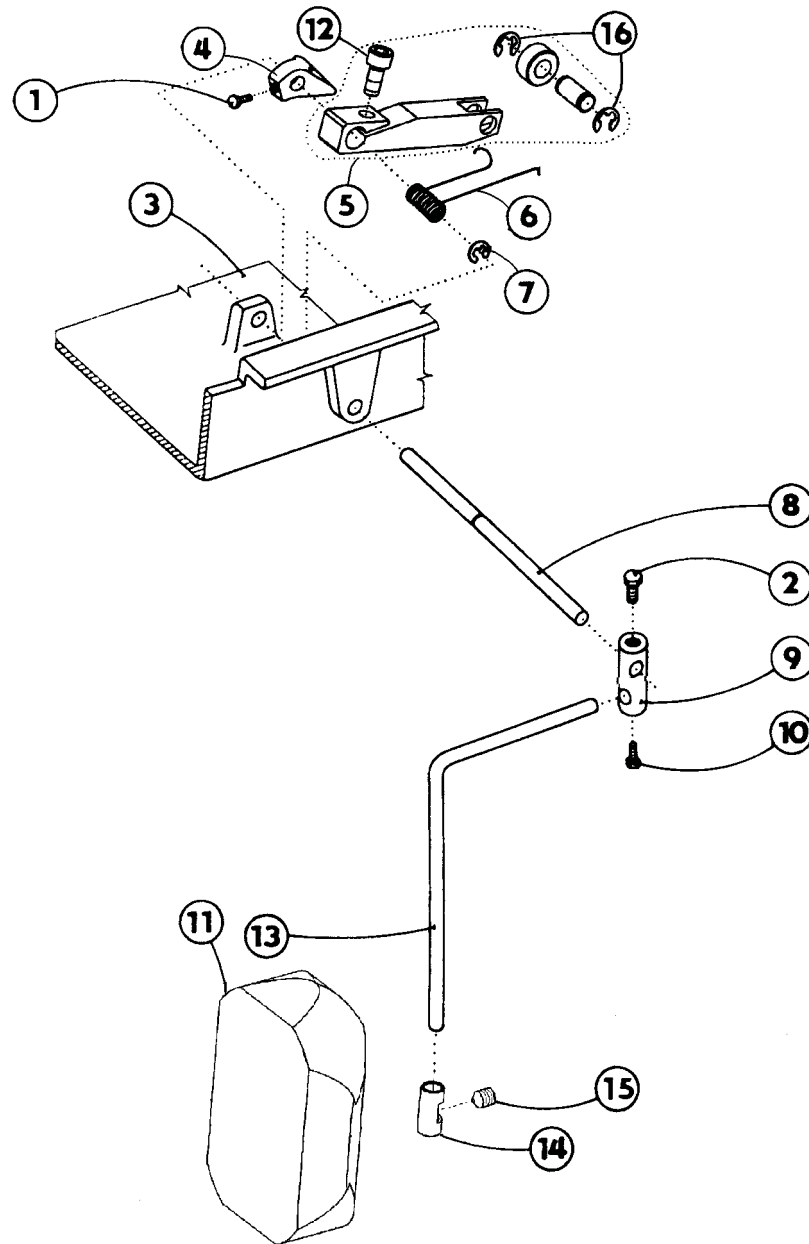
525 - 101

S980 099038/1



- | | | |
|----|------|--------|
| 1 | S273 | 940127 |
| 2 | S615 | 932046 |
| 3 | S273 | 940141 |
| 4 | S321 | 953251 |
| 5 | S080 | 725050 |
| 6 | S080 | 826387 |
| 7 | S080 | 941091 |
| 8 | S314 | 016020 |
| 9 | S080 | 225031 |
| 10 | S413 | 100130 |
| 11 | 0APP | 000301 |
| 12 | S321 | 026000 |
| 13 | S272 | 221000 |

tab. 21

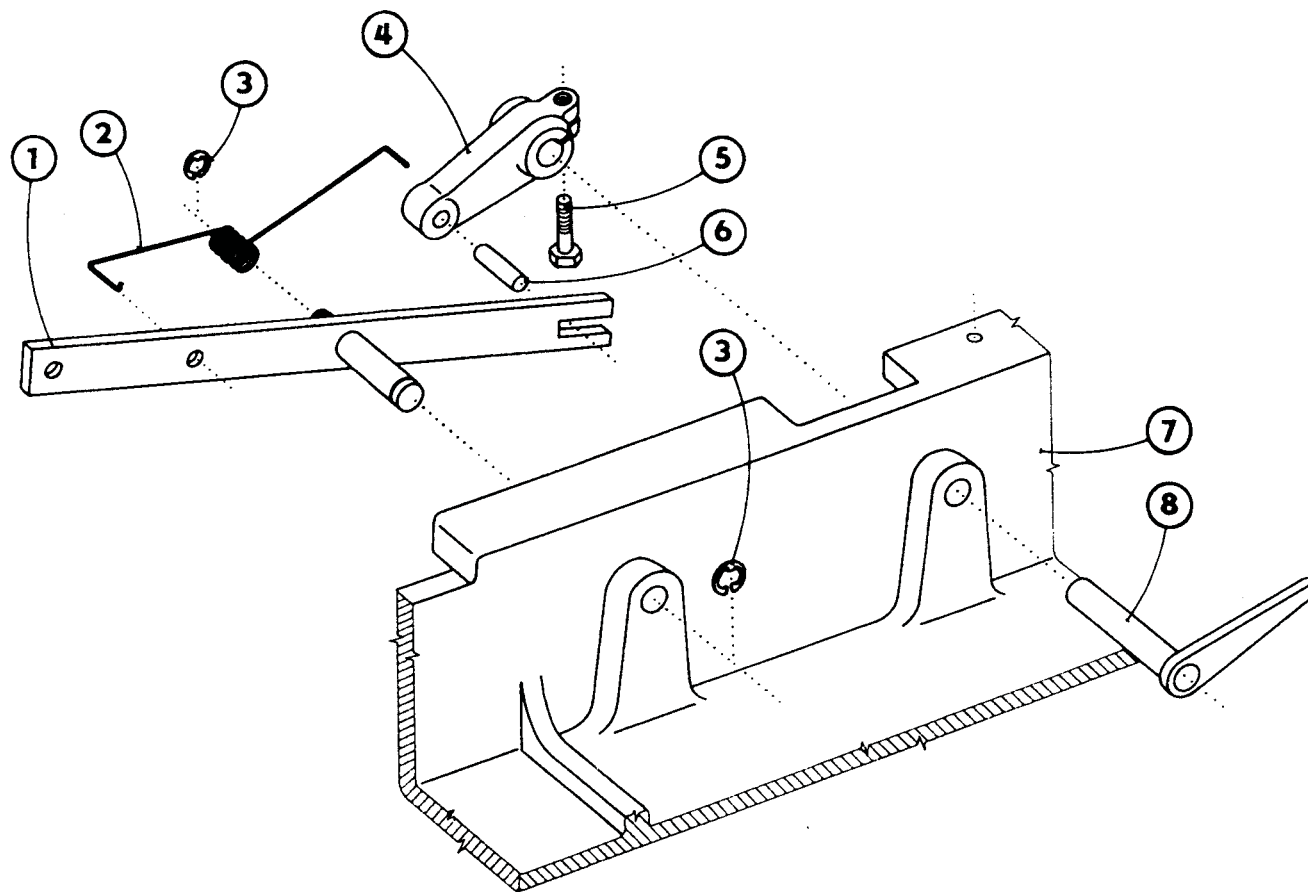


525 - 101

S980 099038 /2

| | | |
|----|------|--------|
| 1 | S080 | 141141 |
| 2 | S080 | 141121 |
| 3 | S080 | 725050 |
| 4 | S080 | 625022 |
| 5 | S980 | 027603 |
| 6 | S080 | 264168 |
| 7 | S311 | 732070 |
| 8 | S080 | 314065 |
| 9 | S080 | 318069 |
| 10 | S080 | 141112 |
| 11 | 0396 | 130013 |
| 12 | S080 | 120295 |
| 13 | S080 | 383022 |
| 14 | S080 | 416146 |
| 15 | 9205 | 102788 |
| 16 | S311 | 732060 |

tab. 22

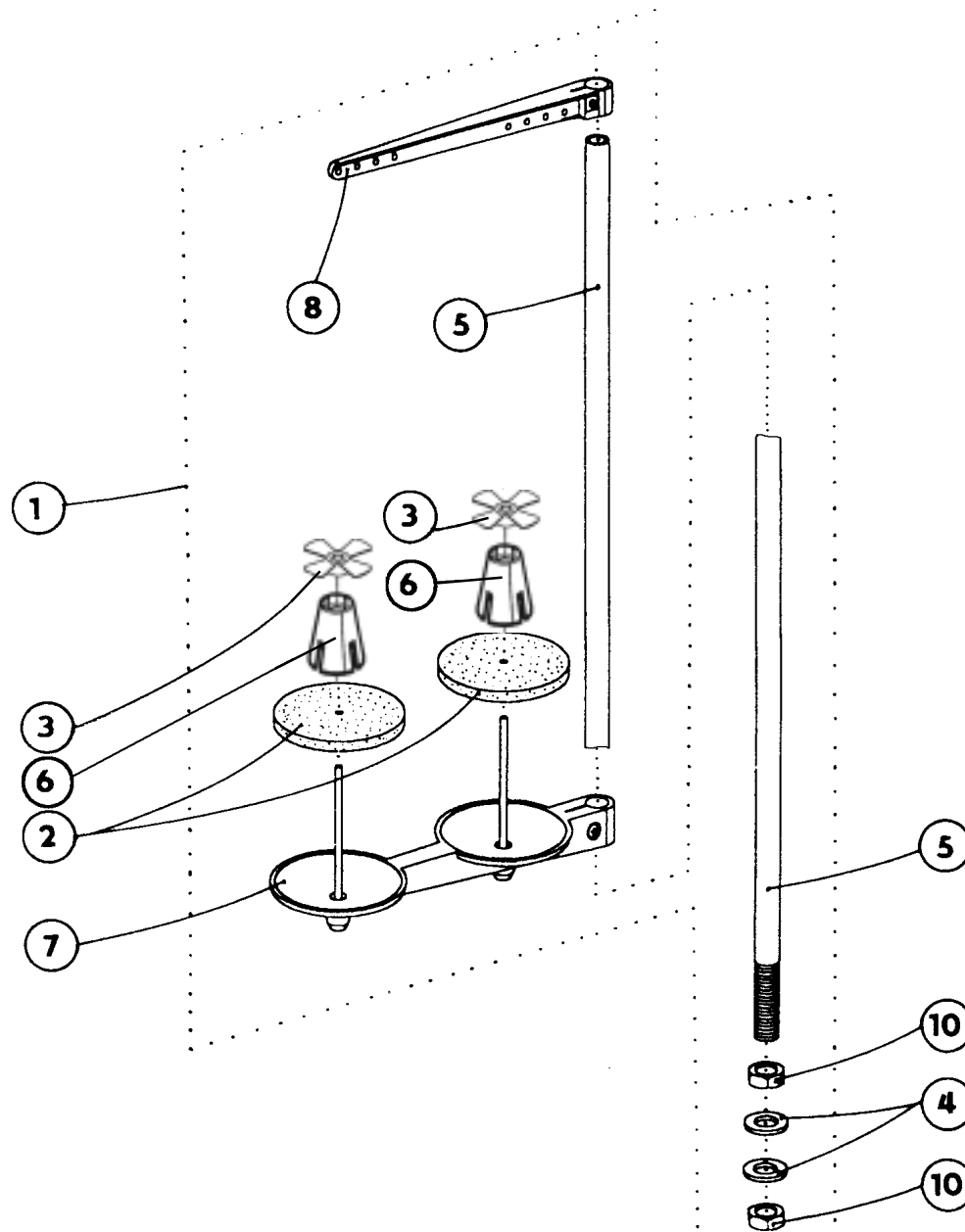


525 - 101

S980 099038 /3

- | | | |
|---|------|--------|
| 1 | S980 | 049109 |
| 2 | S080 | 264290 |
| 3 | S311 | 732070 |
| 4 | S080 | 613480 |
| 5 | S080 | 141109 |
| 6 | S311 | 515041 |
| 7 | S080 | 725050 |
| 8 | S980 | 044142 |

tab. 23



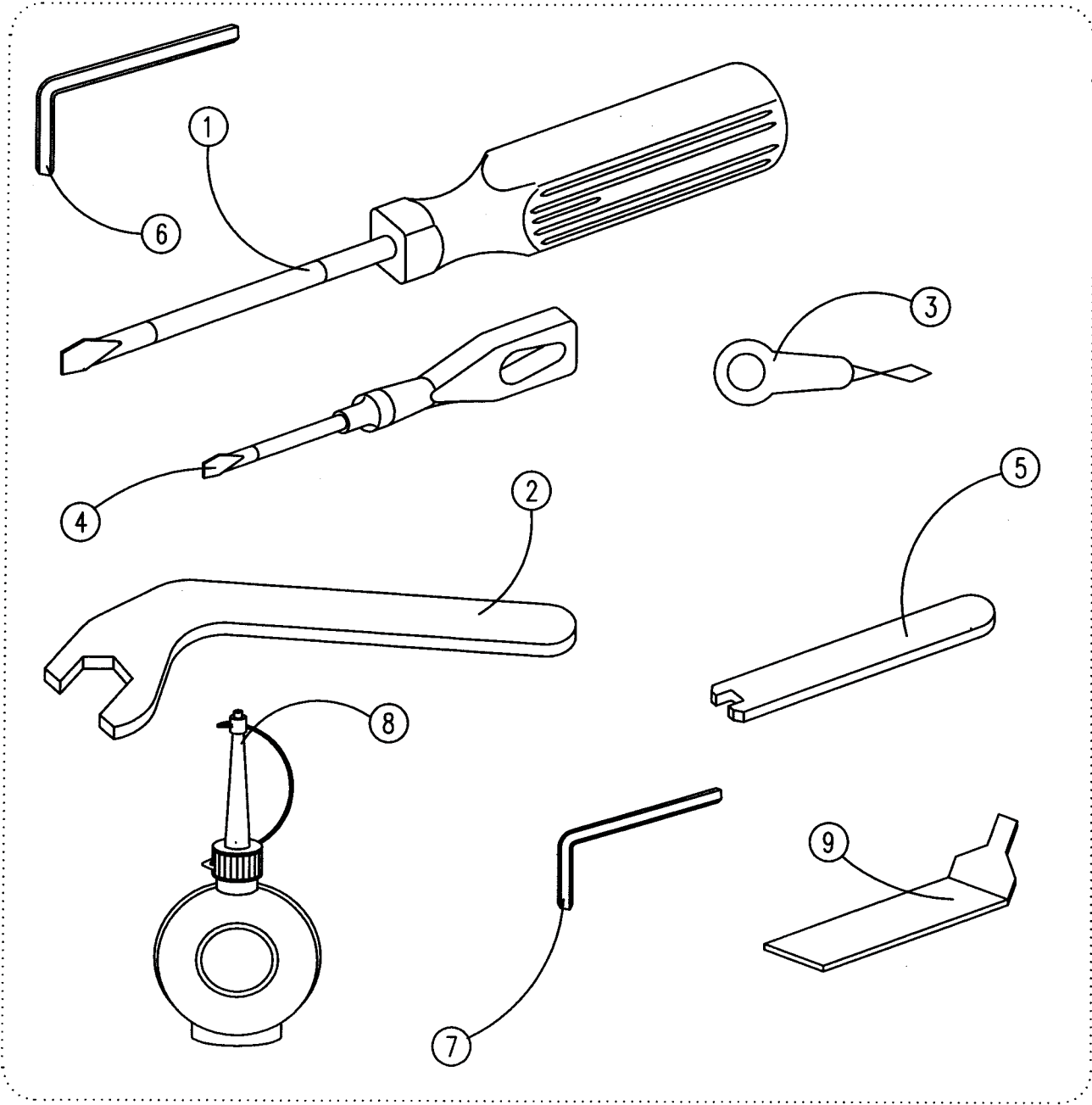
525 - 101

S980 099038 /4

| | | | |
|----|------|--------|-----|
| 1 | S981 | 036163 | |
| 2 | 0077 | 110220 | 4 x |
| 3 | 0077 | 110230 | 4 x |
| 4 | 9330 | 000177 | |
| 5 | 0791 | 001081 | |
| 6 | 0791 | 580100 | 4 x |
| 7 | 0791 | 001091 | 2 x |
| 8 | 0791 | 001096 | 2 x |
| 10 | 0995 | 340617 | |

tab. 24

10



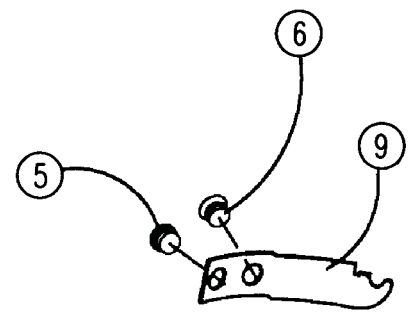
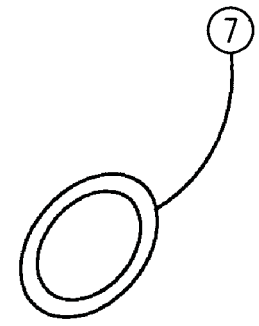
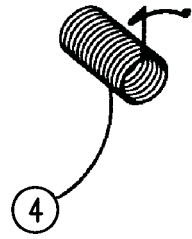
525 - 101

S980 099038 /5

| | | |
|----|-------------|---------------|
| 1 | S413 | 731023 |
| 2 | S080 | 818273 |
| 3 | S548 | 001000 |
| 4 | S413 | 310002 |
| 5 | S080 | 813481 |
| 6 | S413 | 000500 |
| 7 | S413 | 000400 |
| 8 | S562 | 002000 |
| 9 | S080 | 829796 |
| 10 | S980 | 092220 |

tab. 25

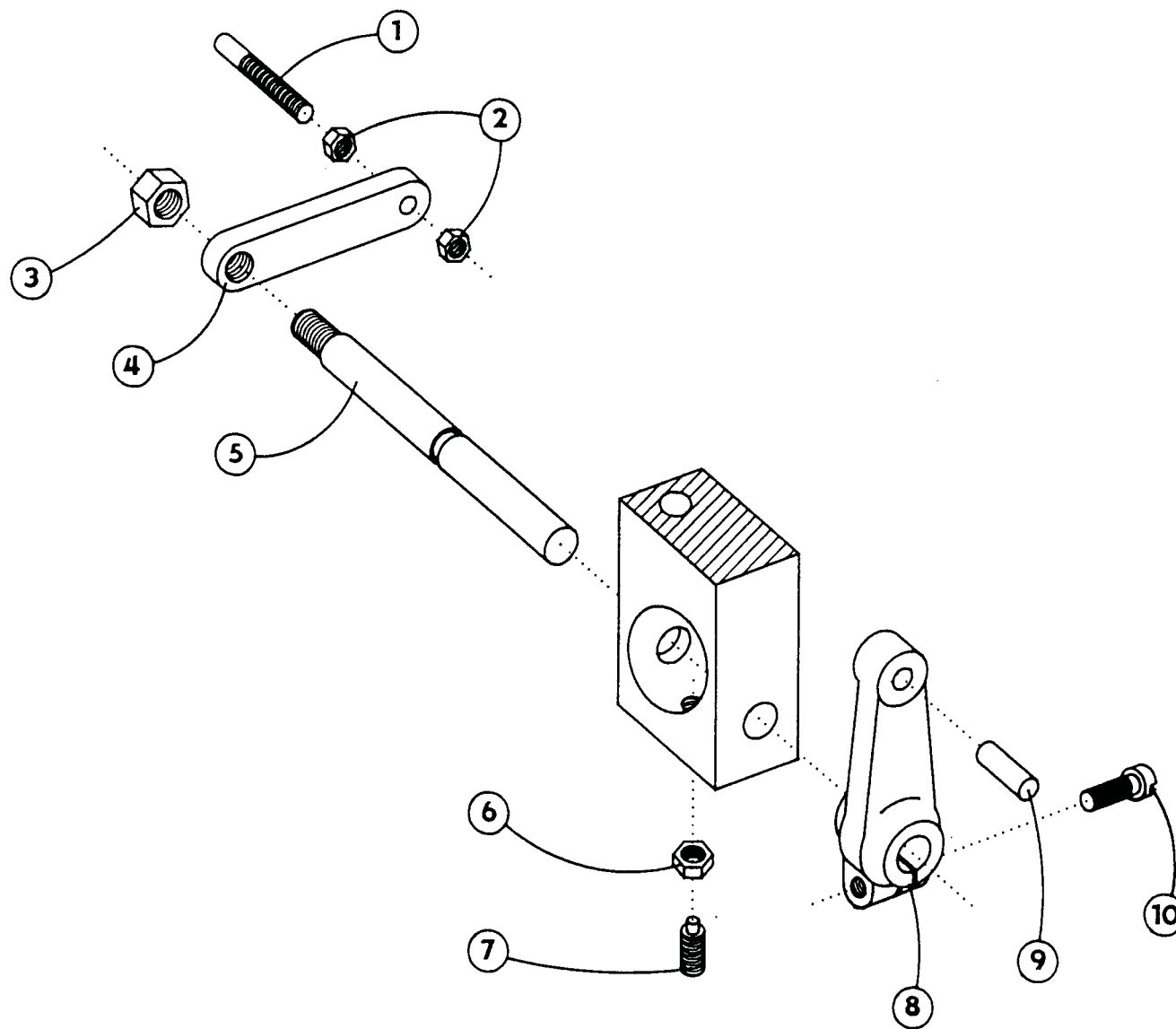
1



525 - 101

| | | | |
|---|------|--------|------|
| 1 | S980 | 092229 | |
| 2 | S080 | 265037 | 4 x |
| 3 | S321 | 953200 | 2 x |
| 4 | S315 | 264294 | 4 x |
| 5 | S080 | 683063 | 4 x |
| 6 | S080 | 683053 | 4 x |
| 7 | S273 | 025410 | 4 x |
| 8 | S080 | 685051 | 10 x |
| 9 | S080 | 690029 | 4 x |

tab. 26

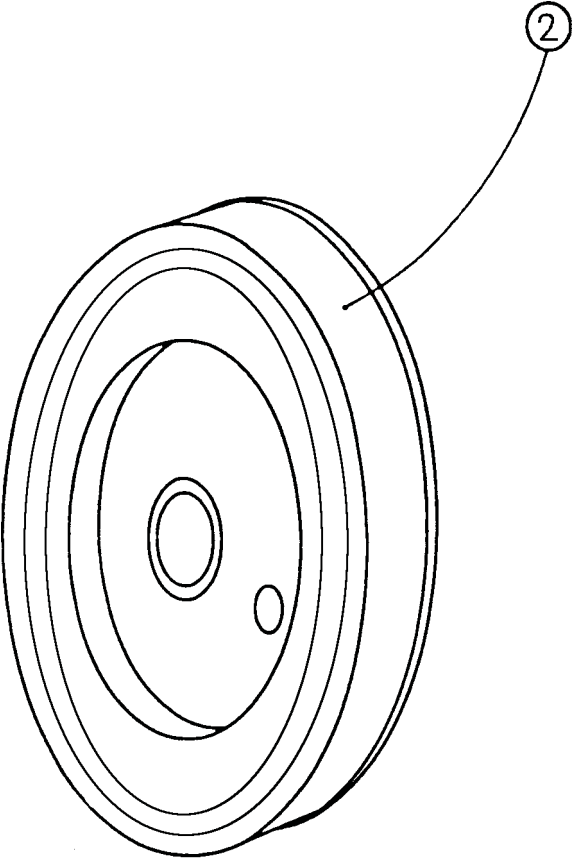
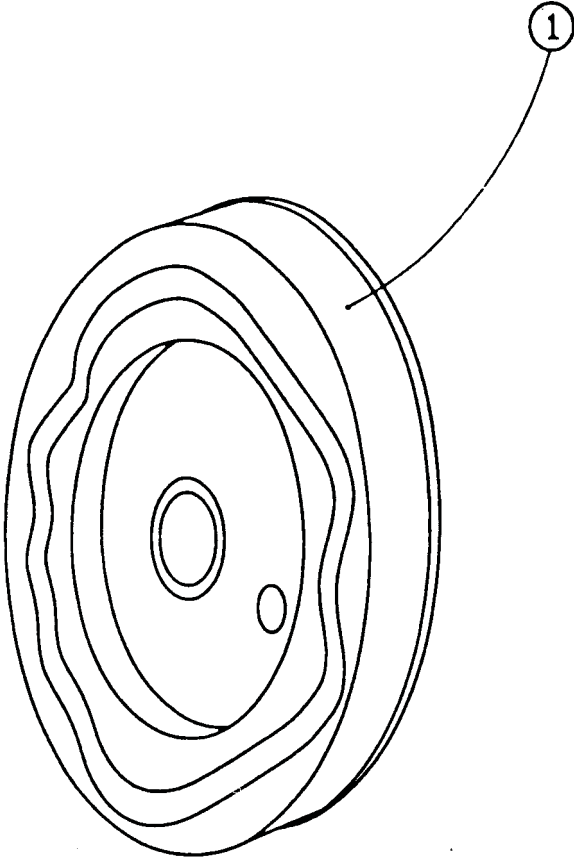


525 - 101

S791 995068

| | | |
|----|------|--------|
| 1 | S080 | 316038 |
| 2 | S080 | 161143 |
| 3 | S080 | 161159 |
| 4 | S080 | 632019 |
| 5 | S080 | 342096 |
| 6 | S080 | 161140 |
| 7 | S080 | 111097 |
| 8 | S080 | 613480 |
| 9 | S311 | 515035 |
| 10 | S080 | 120230 |

tab. 27



525 - 101

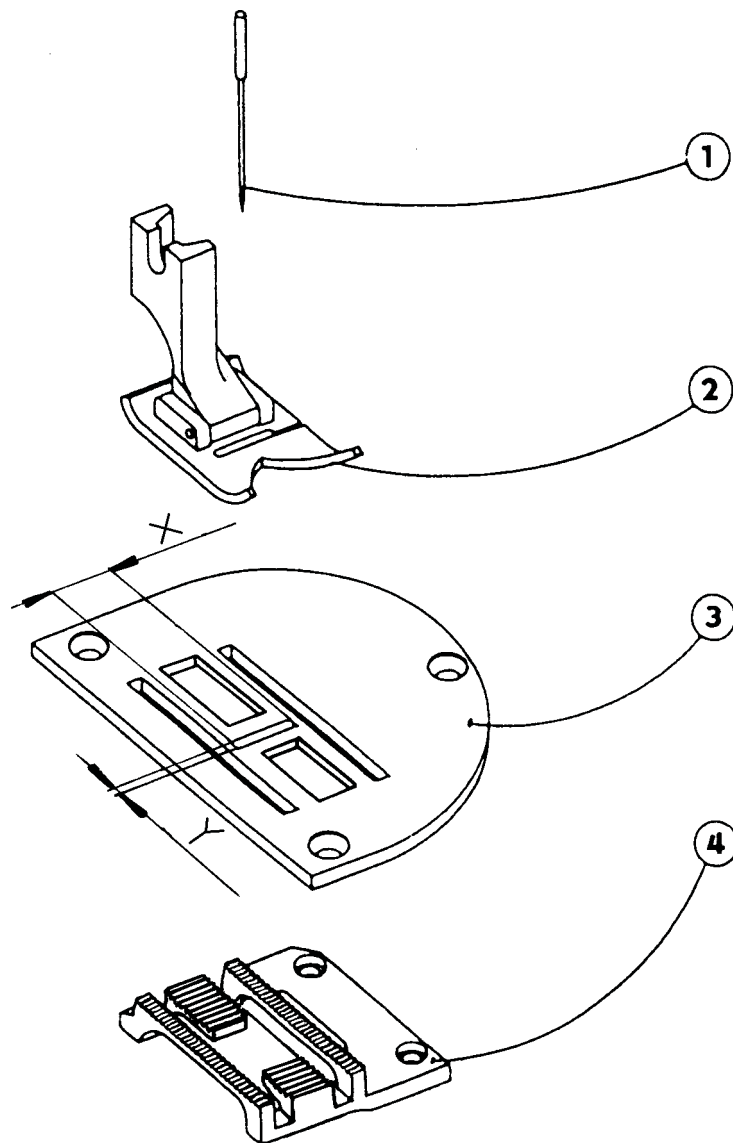
1 S791 642049

WW

2 S791 642037

.....

tab. 28



525 - 101

525 E 033

S791 124033 35

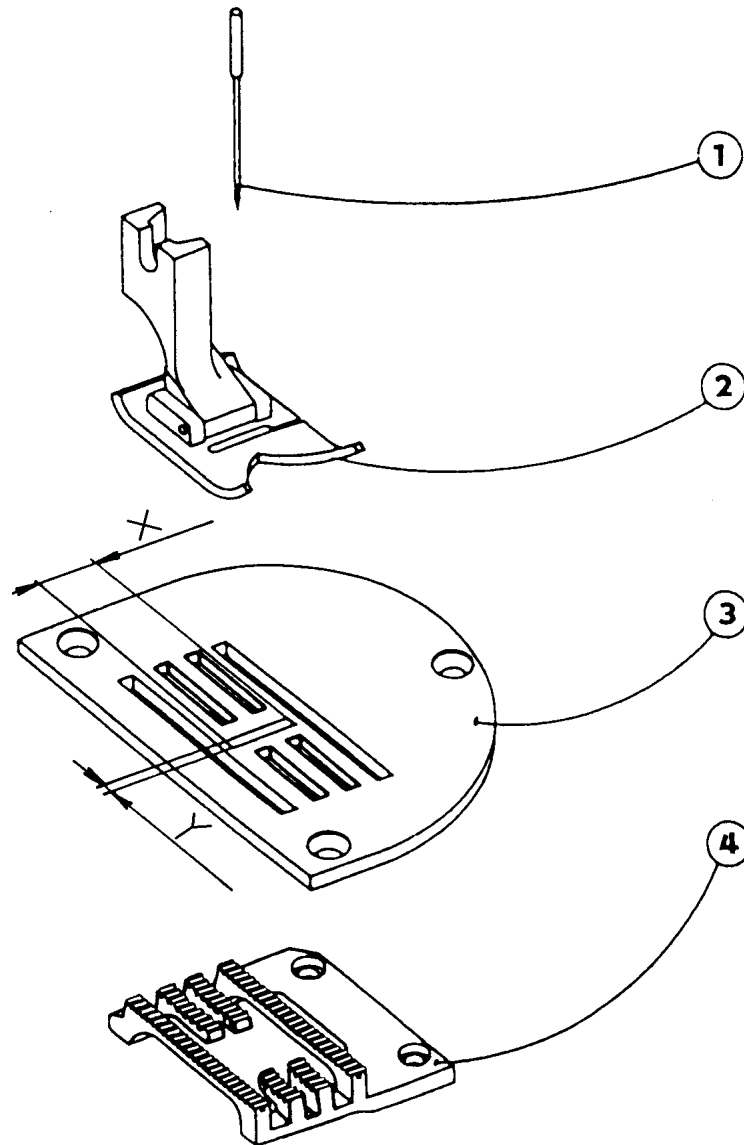
- 1 134 No. 110 - 11 x
 - 2 S980 031603
 - 3 S080 811637
 - 4 S080 651336
- X = 11,8 mm Y = 1,5 mm

525 E 034

S791 124034 35

- 1 134 No. 110 - 11 x
 - 2 S980 031603
 - 3 S080 811557
 - 4 S080 651336
- X = 11,8 mm Y = 1,8 mm

tab. 29



525 - 101

525 E 032
S791 124032 35

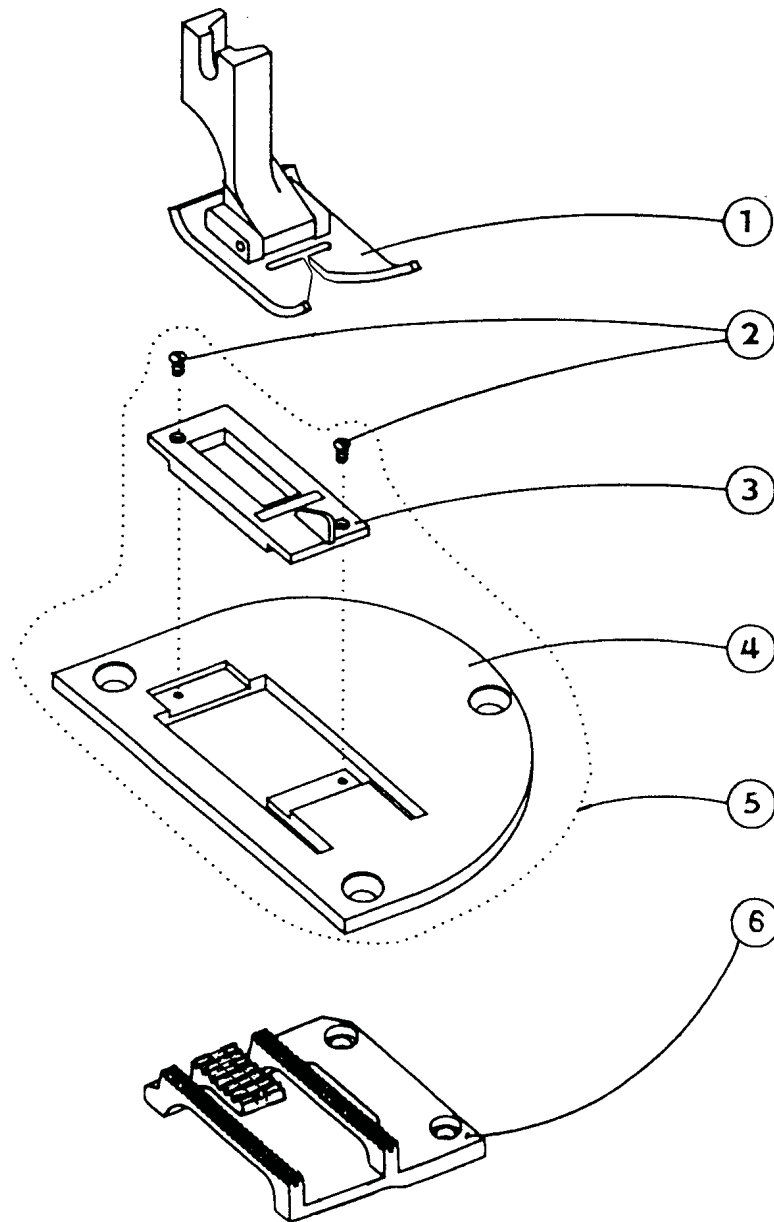
- 1 134 No. 110 - 11 x
 - 2 S980 031603
 - 3 S080 811641
 - 4 S080 651504
- X = 11,6 mm Y = 1,5 mm

525 E 075

S791 224075 35

- 1 134 No. 110 - 11 x
 - 2 S980 031603
 - 3 S080 811699
 - 4 S080 651472
- X = 11,6 mm Y = 1,5 mm

tab. 30



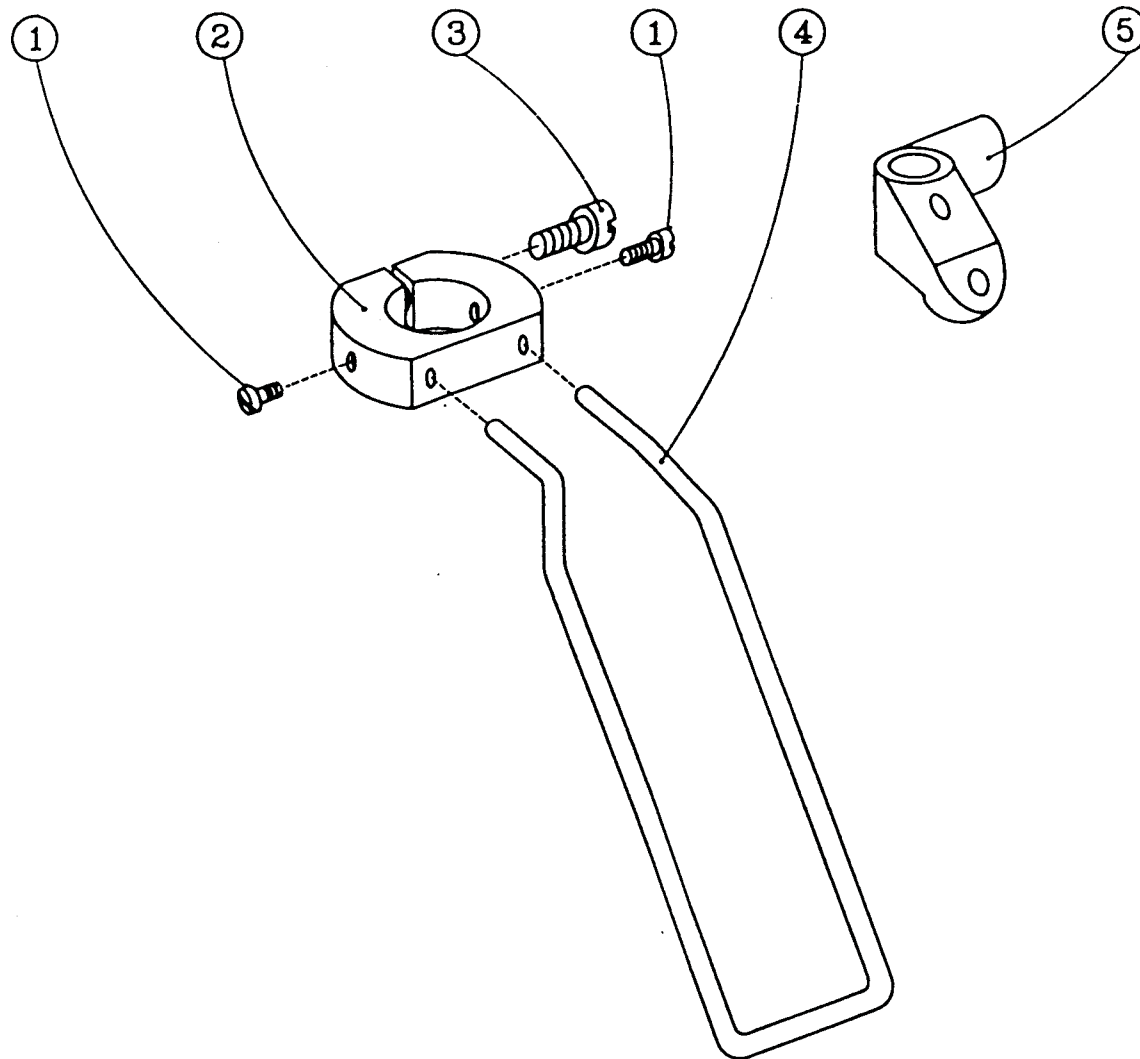
525 - 101

527 N 023

S791400023

- 1 S980 031604
- 2 S080 124061
- 3 S980 049443
- 4 S080 811633
- 5 S980 022282
- 6 S080 651428

tab. 31



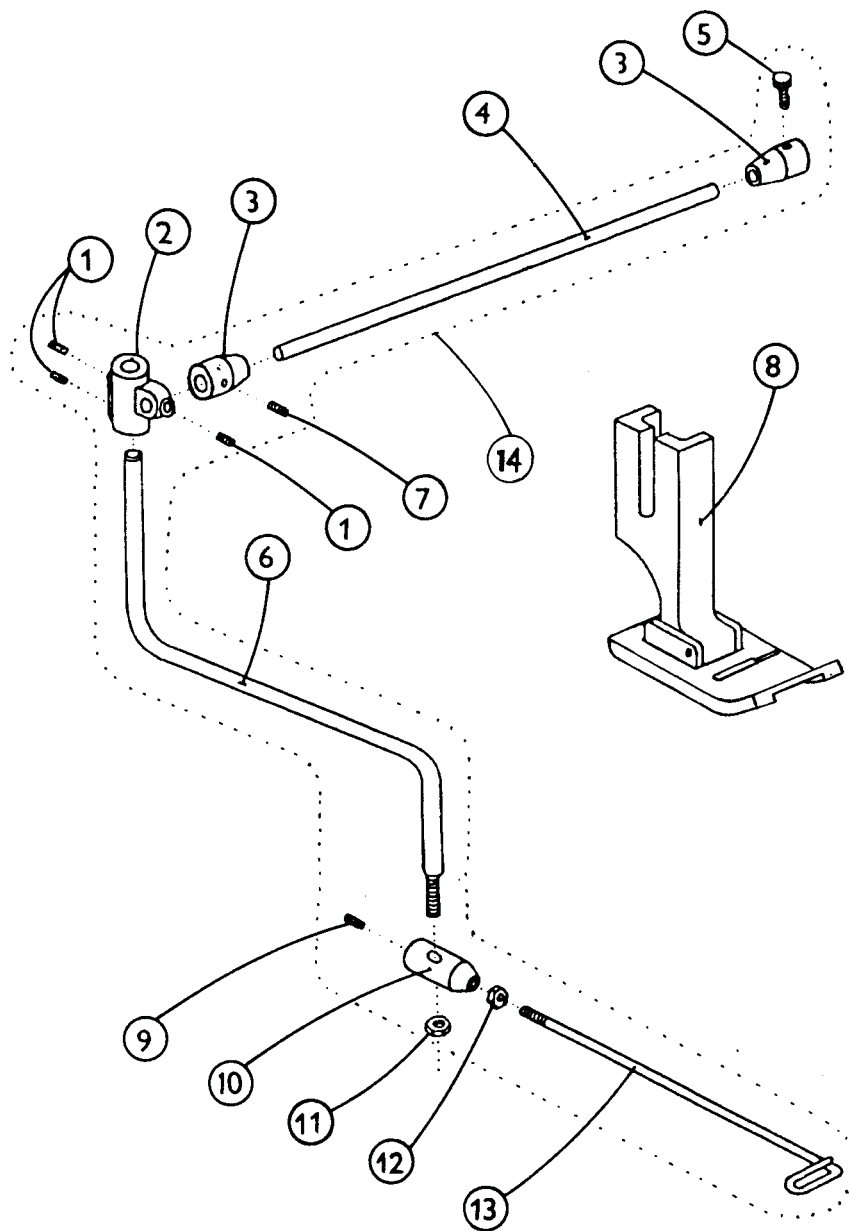
525 - 101

527 N 001

S791 149001

| | | |
|---|------|--------|
| 1 | S080 | 120037 |
| 2 | S080 | 646136 |
| 3 | S080 | 120225 |
| 4 | S080 | 271441 |
| 5 | S080 | 627037 |

tab. 32



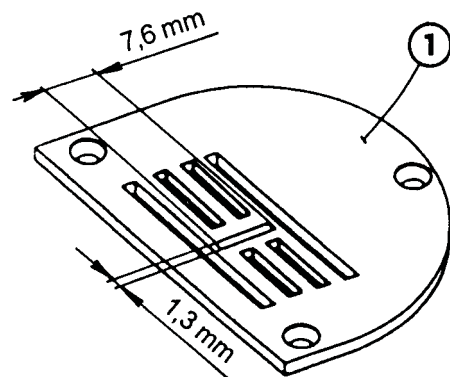
525 - 101

525 N 002

S791 235002

| | | |
|----|------|---------|
| 1 | S081 | 104 002 |
| 2 | S080 | 626 056 |
| 3 | S080 | 426 011 |
| 4 | S080 | 341 127 |
| 5 | S080 | 133 009 |
| 6 | S080 | 382 049 |
| 7 | S080 | 111 268 |
| 8 | S980 | 031 541 |
| 9 | S080 | 112 013 |
| 10 | S080 | 436 109 |
| 11 | S080 | 161 163 |
| 12 | S080 | 161 137 |
| 13 | S080 | 271 185 |
| 14 | S980 | 036 063 |

tab. 33



525 - 101

525 E 074

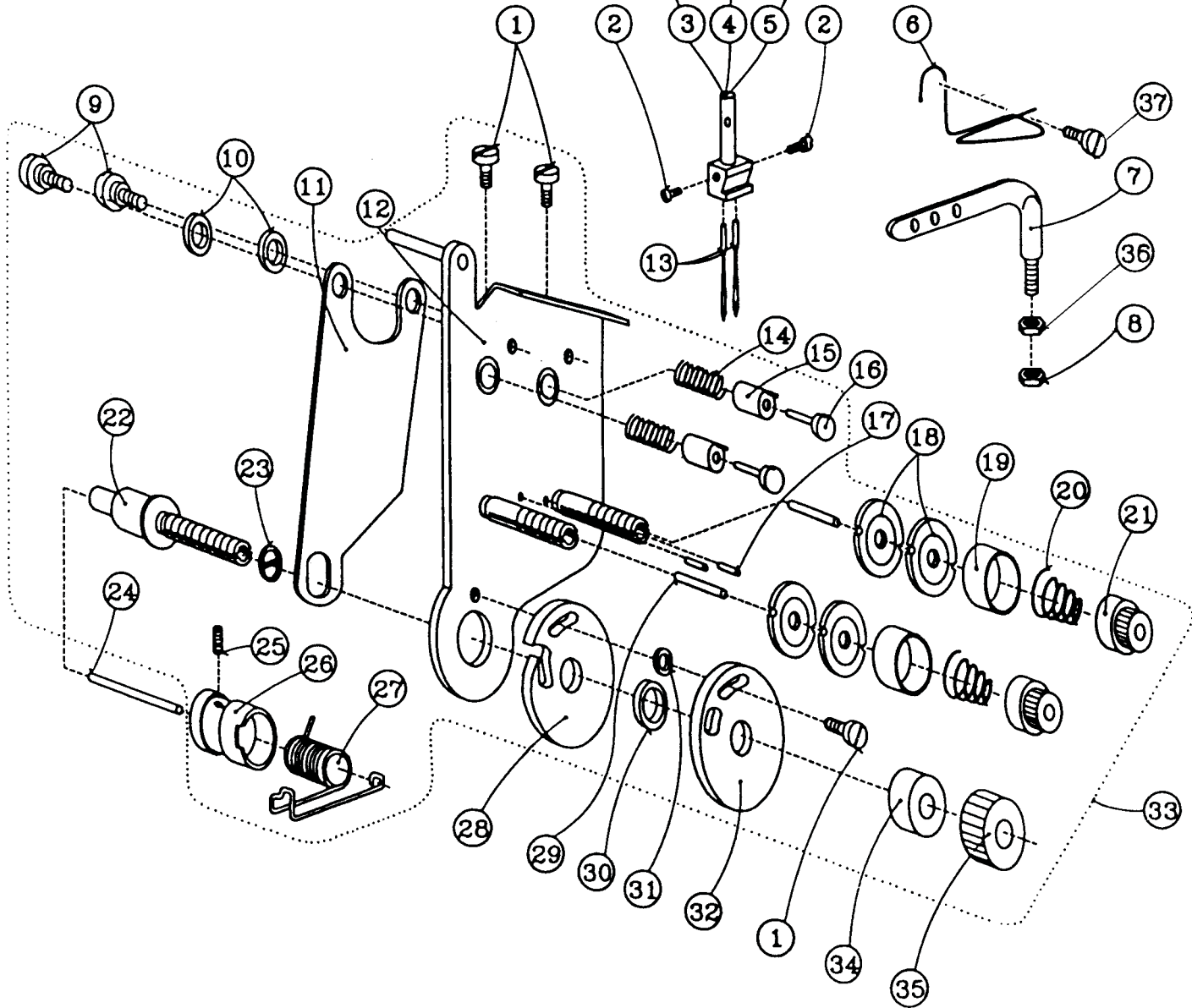
S791 224 074

1 S080 811768



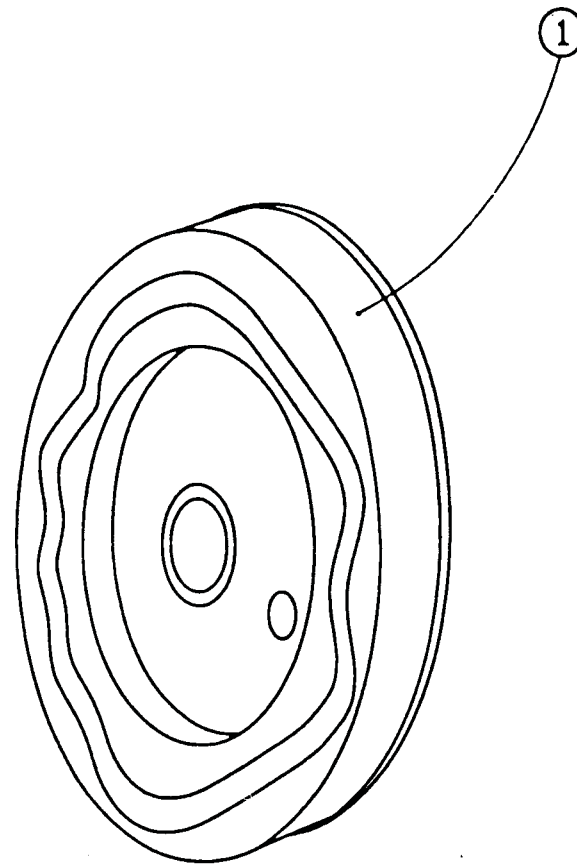
tab. 34

525 - 101
525 E 002
S791 630 002









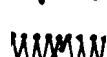
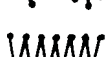


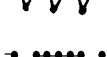

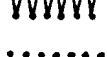



| | | | |
|----|------|---------|------|
| 1 | S080 | 120245 | |
| 2 | S080 | 124051 | 6 x |
| 3 | S080 | 394157 | |
| 4 | S080 | 394158 | |
| 5 | S080 | 394159 | |
| 6 | S080 | 271409 | |
| 7 | S080 | 313204 | |
| 8 | S080 | 161146 | |
| 9 | S080 | 135023 | |
| 10 | S080 | 190520 | |
| 11 | S080 | 825733 | |
| 12 | S980 | 049805 | |
| 13 | S548 | 000130 | 10 x |
| 14 | S080 | 261022 | 2 x |
| 15 | S980 | 027414 | 2 x |
| 16 | S080 | 320047 | 2 x |
| 17 | S311 | 515011 | 2 x |
| 18 | S080 | 828046 | 4 x |
| 19 | S080 | 827048 | 2 x |
| 20 | S315 | 262024 | 2 x |
| 21 | S080 | 173017 | 2 x |
| 22 | S080 | 118003 | |
| 23 | S080 | 195004 | |
| 24 | S080 | 310436 | |
| 25 | S080 | 112012 | |
| 26 | S080 | 414023 | |
| 27 | S315 | 264162 | |
| 28 | S080 | 828048 | |
| 29 | S311 | 510 008 | 2 x |
| 30 | S080 | 442034 | |
| 31 | S080 | 418039 | |
| 32 | S080 | 828047 | |
| 33 | S980 | 025204 | |
| 34 | S080 | 421129 | |
| 35 | S080 | 171023 | |
| 36 | S080 | 161138 | |
| 37 | S080 | 132163 | |

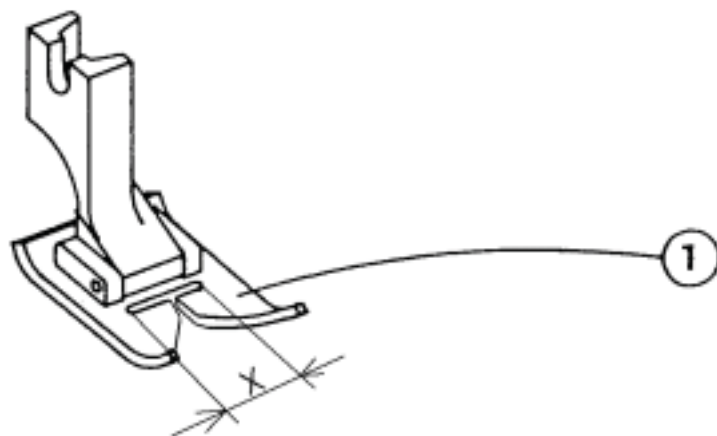
tab. 35



525 - 101

- 1 S791 642038 
- 1 S791 642039 
- 1 S791 642040 
- 1 S791 642041 
- 1 S791 642042 
- 1 S791 642043 
- 1 S791 642044 
- 1 S791 642045 
- 1 S791 642046 
- 1 S791 642047 
- 1 S791 642048 
- 1 S791 642050 
- 1 S791 642051 
- 1 S791 642052 
- 1 S791 642053 
- 1 S791 642055 

tab. 36



525 - 101

525 E 016
S791 151016

1 S980 031586

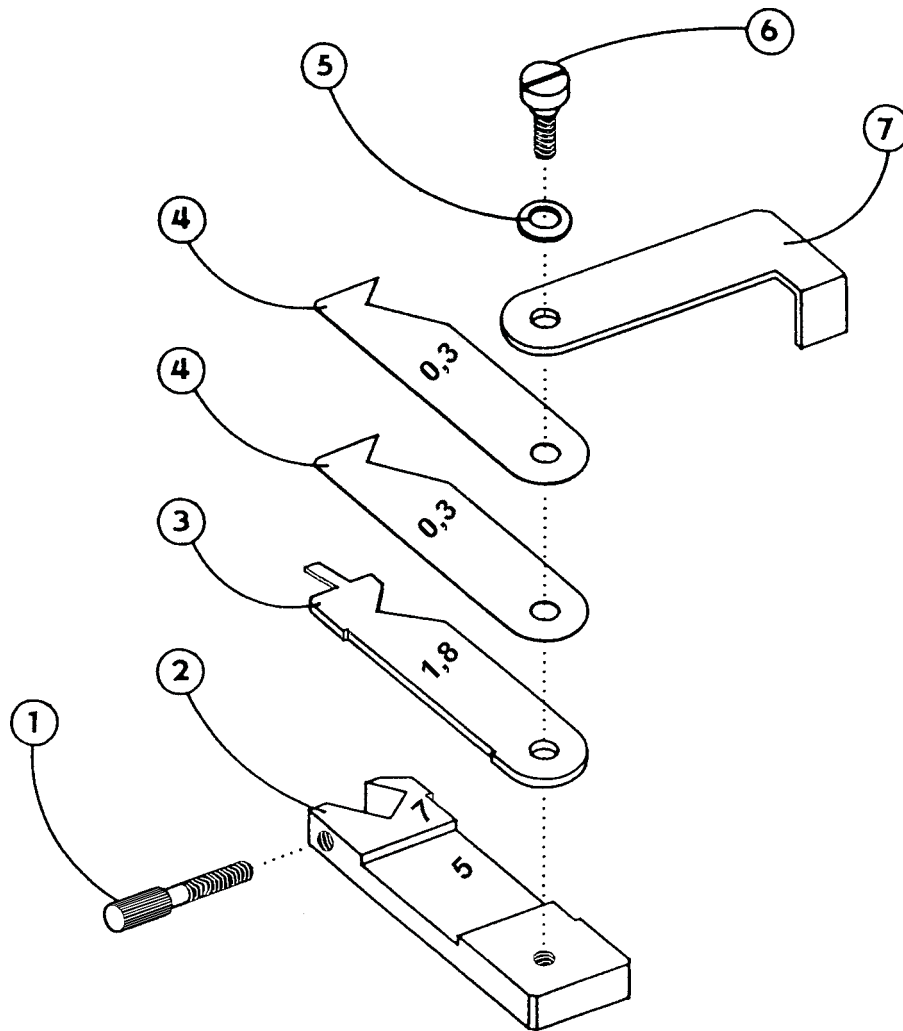
X = 6 mm

525 E 017
S791 151017

1 S980 031652

X = 10 mm

tab. 37



525 - 101

Z 001

S791947001















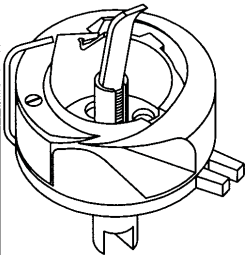
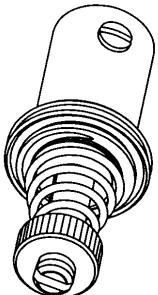



| | | |
|---|------|--------|
| 1 | S080 | 133112 |
| 2 | S080 | 646148 |
| 3 | S080 | 814365 |
| 4 | S080 | 814364 |
| 5 | S080 | 192061 |
| 6 | S080 | 131404 |
| 7 | S080 | 831412 |

tab. 38

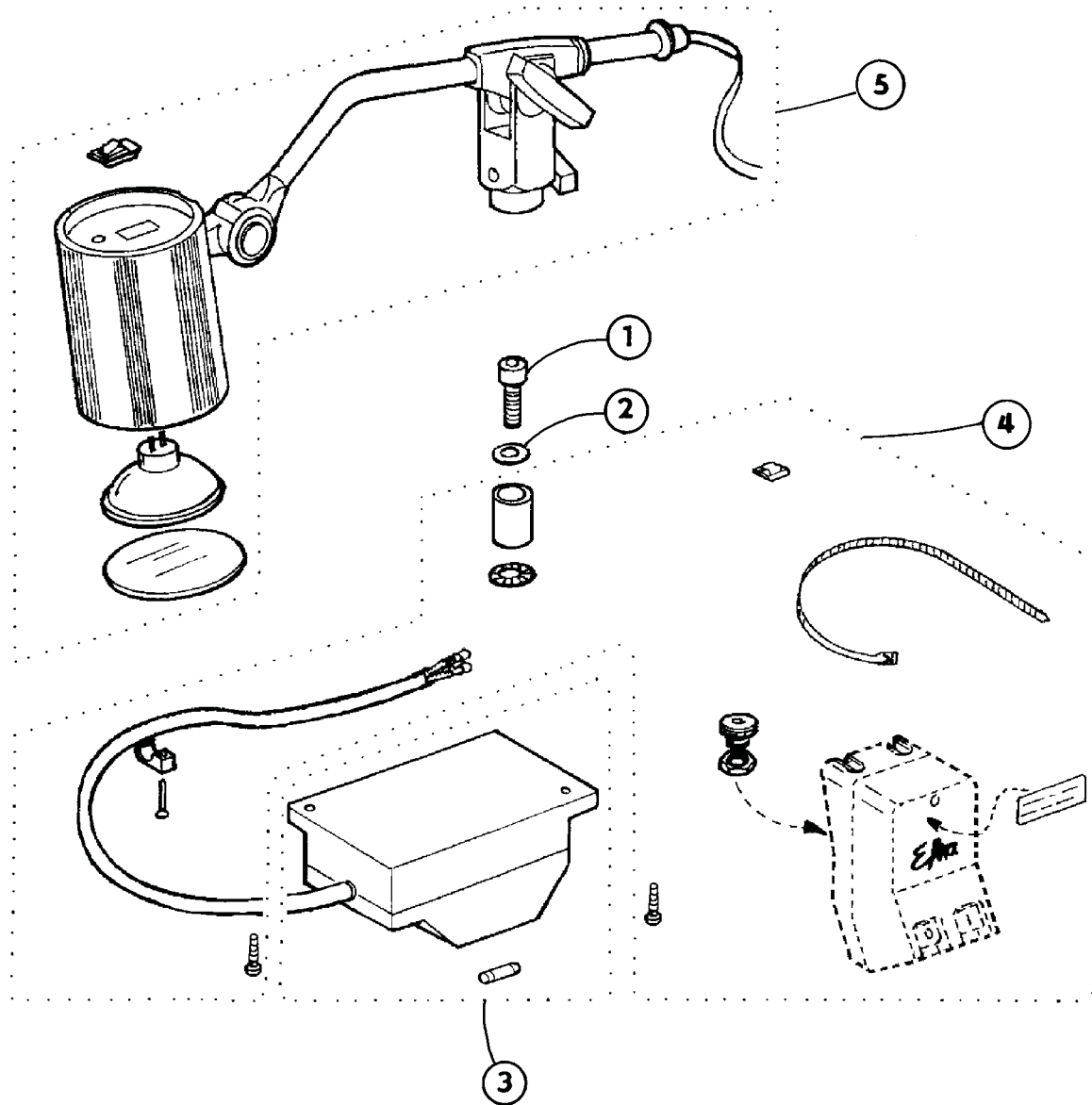
525 - 101

524 Z 121

S741 61012140

| | | | | | |
|--|--|---|--|--|--|
| <p>3x</p>  <p>S080 120239</p> | <p>3x</p>  <p>S080 141088</p> | <p>5x</p>  <p>S080 683063</p> | <p>5x</p>  <p>S080 683053</p> | <p>3x</p>  <p>S080 135029</p> | <p>3x</p>  <p>S080 136082</p> |
| <p>5x</p>  <p>S080 123117</p> | <p>3x</p>  <p>S080 265037</p> | <p>1x</p>  <p>S080 627170</p> | <p>5x</p>  <p>S080 112013</p> | <p>3x</p>  <p>S080 124050</p> | <p>3x</p>  <p>S080 124051</p> |
| <p>3x</p>  <p>S080 690029</p> | <p>5x</p>  <p>S315 264294</p> | <p>1x</p>  <p>S980 008250</p> | <p>1x</p>  <p>S980 025245</p> | <p>3x</p>  <p>S273 025410</p> | |
| <p>3x</p>  <p>S080 122029</p> | <p>1x</p>  <p>S080 264281</p> | | | | |

tab. 39



525 - 101

Z012

S794 222012

| | | |
|---|------|--------|
| 1 | S080 | 120692 |
| 2 | S080 | 190346 |
| 3 | 0798 | 500088 |
| 4 | 0907 | 487519 |
| 5 | 9822 | 510001 |