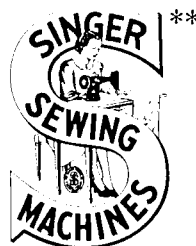


Form 8467 Revised

(148)

Printed in U. S. A.

LIST OF PARTS



MACHINES
Nos. 81-7 and 81-11

** REG. U. S. PAT. OFF. BY

THE SINGER MANUFACTURING COMPANY

INSTRUCTIONS FOR OILING

To ensure easy running and prevent unnecessary wear of the parts which are in movable contact, the machine requires oiling and when in continuous use, it should be oiled at least twice each day by applying "TYPE B" or "TYPE D" OIL (sold only by Singer Sewing Machine Company) to all oil holes marked "OIL" and to all other oiling places, as instructed in Form 18194.

Copyright, U. S. A., 1914, 1939 and 1948
by The Singer Manufacturing Co.
All Rights Reserved for all Countries

INDEX

	Page
Accessories.....	21
Foot Lifter Parts.....	21
Knee Lifter Parts.....	22
Knife Grinder.....	22
Machine Base.....	23
Machine No. 81-7.....	7
Machine No. 81-11.....	15
Numerical List of Parts.....	25
Thread Unwinder.....	25

INSTRUCTIONS FOR ORDERING

In ordering from this list, use ONLY the part NUMBER in the FIRST Column.

The number stamped on a Sewing Machine Part is in every case the number of the single part only.

Every combination of parts sent out as such has its specific number, which, although not stamped on the parts, must be used when ordering the combination.

Each number always indicates the SAME PART in whatever list it appears, or for whatever machine.

The letters after some of the numbers indicate the style of finish only, as follows:

- A-Hardened, Polished, Nickel Plated and Buffed.
- A.A-Buffered and Chromium Plated.
- A.B-Hardened, Polished, Buffed and Chromium Plated.
- A.C-Brown Baking Enamel Finish.
- A.D-Gray Baking Enamel Finish.
- A.E-Hardened, Bright Rumbled and Nickel Plated.
- A.F-Hardened, Bright Rumbled, Nickel Plated, Bright Rumbled and Chromium Plated.
- A.G-Alumilite, Plain.
- A.H-Alumilite Dyed.
- A.J-Polished, Nickel Plated and Chromium Plated.
- A.K-Hardened, Polished, Nickel Plated and Chromium Plated.
- A.L-Heat Treated for Toughness.
- B-Polished, Nickel Plated and Buffed.
- C-Hardened only.
- C.R-Hardened and Merlized.
- D-Polished Only.
- E-Soft, Not Polished.
- F-Hardened and Polished.
- F.J-Hardened, Polished and Nickel Plated.
- G-Bright Rumbled and Nickel Plated.
- H-Blued.
- J-Nickel Plated Only.
- K-Hardened and Nickel Plated.
- L-Brass Plated.
- M-Oxidized.
- N-Japanned, Dull.

INSTRUCTIONS FOR ORDERING - Continued

- P-Japanned, Bright.
- P.P-Wrinkle Finish.
- R-Merlized.
- S-Cadmium Plated.
- T-Copper Plated.
- T.A-Hardened, Polished, Copper and Nickel Plated and Buffed.
- T.B-Copper and Nickel Plated and Polished.
- T.J-Copper and Nickel Plated Only.
- T.K-Hardened, Copper and Nickel Plated.
- T.L-Copper and Brass Plated.
- T.M-Copper Plated and Oxidized.
- U-Zinc Plated.
- V-Silver Plated.
- W-Polished and Nickel Plated.
- X-Black Oxide, for Iron and Steel.
- X.C-Hardened and Black Oxide, for Iron and Steel.
- Y-Black Nickel Plated Only.
- Z-Chromium Plated.
- Z.A-Hardened, Polished, Nickel Plated, Buffed and Chromium Plated.
- Z.B-Polished, Nickel Plated, Buffed and Chromium Plated.
- Z.C-Hardened and Chromium Plated.
- Z.D-Polished and Chromium Plated.
- Z.G-Bright Rumbled, Nickel Plated, Bright Rumbled and Chromium Plated.
- Z.J-Nickel and Chromium Plated.
- Z.T-Copper and Chromium Plated.

These letters MUST BE USED when they appear in the list; and AFTER the number as in the list.

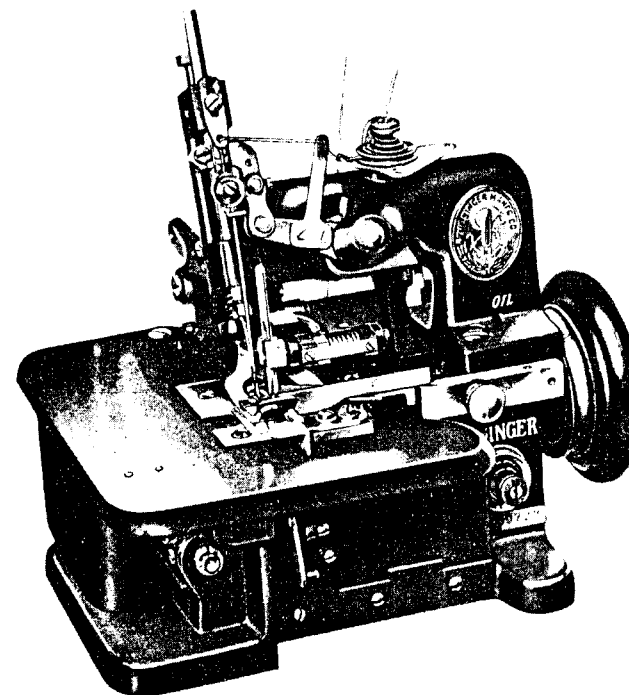
In this series:

- 1 to 1500, 50001 to 51500 and 140001 to 142000 are Screw Numbers.
- 1501 to 1800 and 51501 to 51800 are Nut Numbers.
- 1801 to 2000 and 51801 to 52000 are Roller Numbers.
- 2001 to 50000 and 52001 to 140000 and 142001 to 190000 are Sewing Machine Parts, 190001 and upward are numbers of Electrical Parts.

The figures in the second column refer only to the plates, illustrating the parts, and are NOT TO BE USED in ordering.

Parts marked with an asterisk (*) are furnished only when repairs are made at factory.

LIST OF PARTS COMPLETE
FOR



MACHINE No. 81-7

FOR HEAVY SWEATER WORK. ONE NEEDLE,
ONE LOOPER. TWO-THREAD STITCH. TRIMMER.
AUXILIARY FEED. SPEED 3300 R. P. M.

SINGER Needles should be used
in SINGER Machines.
These Needles and their Containers
are marked with the
Company's Trade-Mark "SIMANCO.***" 1

Needles in Containers marked
"FOR SINGER MACHINES"
are NOT **SINGER** made needles. 2

No.	Plate	Name
42485	----	Arm with 15404 and two each 462AL, 624AL, 15405, 42253 and 42487...
4389	23059	Arm Dowel Pin (2).....
949E	23059	" Screw (2).....
42001	23059	Balance Wheel, 2 3/16 in. pulley with 4240 and 1354C.....
1354C	23059	Balance Wheel Position Screw.....
424C	23059	" " Set Screw.....
42292	23061	Cloth Plate.....
42294	23061	" " Extension (lower).....
229E	23061	" " " " Screw (3).....
42108	23061	Cloth Plate Extension (upper).....
229E	23061	" " " " Screw (2).....

No.	Plate	Name
1437D	23061	Cloth Plate Hinge Screw.....
1655E	23061	" " " " Nut.....
42005	23061	" " Lock Spring.....
236C	23061	" " " " Screw (2)...
42293	23061	Cloth Plate complete, Nos. 42005, 42108, 42292, 42294, two 236C and five 229E.....
42147	23063	Feed (back) Bar.....
61C	23063	" " " Hinge Screw.....
42148	23063	" " Connecting Link.....
1132C	23063	" " " Hinge Screw.....
42295	23063	Feed (back) Dog, 2 teeth (16 teeth to the inch) for knit goods....
203C	23063	Feed (back) Dog Screw.....
42150	23063	" " Regulator.....
1132C	23063	" " " Hinge Screw...
190J	23063	" " " Set Screw....
1444C	23063	" " " Thumb Screw...
42296	23063	" (front) Bar with 1253AL.....
42007	23063	" " " Hinge Pin.....
1253AL	23063	" " " " Set Screw
42008	23059	" " Connecting Rod with two 1057AL.....
42371	-----	Feed (front) Connecting Rod 42008 with 1373C and 1520C.....
1057AL	23059	Feed (front) Connecting Rod Cap Screw (2).....
1373C	23059	Feed (front) Connecting Rod Hinge Screw.....
1520C	23059	Feed (front) Connecting Rod Hinge Screw Nut.....
42297	23063	Feed (front) Dog, 7 teeth (8 teeth to the inch).....
42460	23063	Feed (front) Dog, 9 teeth (8 teeth to the inch) for coarse loosely knited fabrics.....
190J	23063	Feed (front) Dog Screw.....
42011	23059	" " Eccentric with two 453AL.....
42298	23068	Feed (front) Eccentric Cover.....
207F	23068	" " " " Screw (2).....
453AL	23059	Feed (front) Eccentric Set Screw (2)
42208	23059	" " Lifting Eccentric with two 462AL.....
42013	23059	Feed (front) Lifting Eccentric Con- nection.....
462AL	23059	Feed (front) Lifting Eccentric Set Screw (2).....
1374C	23063	Feed (front) Regulating Screw Stud..
1680C	23063	" " " " " " Nut.....
42290	23063	Feed (front) Regulating Screw Stud Washer.....
42014	23063	Feed (front) Regulator with two each 233J and 1259AL.....

No.	Plate	Name
42015	23063	Feed (front) Regulator Connection with 1012E.....
42368	-----	Feed (front) Regulator Connection 42015 with 1373C and 1520C.....
1012E	23063	Feed (front) Regulator Connection Adjusting Screw.....
1373C	23063	Feed (front) Regulator Connection Hinge Screw.....
1520C	23063	Feed (front) Regulator Connection Hinge Screw Nut.....
42016	23063	Feed (front) Regulator Hinge Stud..
1259AL	23063	" " " " Set Screw (2)
233J	23063	" " " " Stop Screw (2).....
42154	23063	Feed (front) Rock Shaft.....
42155	-----	Feed (front) Rock Shaft complete, Nos. 42021 and 42154.....
42021	23063	Feed (front) Rock Shaft Crank with 157E.....
157E	23063	Feed (front) Rock Shaft Crank Clamp- ing Screw.....
42098	23063	Feed (front) Rock Shaft Hinge Pin...
42079	23063	" " " " " " Bushing (2).....
1036AL	23063	Feed (front) Rock Shaft Hinge Pin Bushing Set Screw (2).....
*42209	-----	Frame.....
42266	23059	" Rotary Shaft.....
42024	23059	" " " Bushing (front)..
1036AL	23059	" " " " " " Set Screw.....
42211	23059	Frame Rotary Shaft Crank with 1036AL and 1375AL.....
1375AL	23059	Frame Rotary Shaft Crank Position Screw.....
1036AL	23059	Frame Rotary Shaft Crank Set Screw..
42026	23059	" " " Flanged Bushing (back) with 54967.....
54967	23059	Frame Rotary Shaft Flanged Bushing (back) Oil Pad (braided cotton).
1036AL	23059	Frame Rotary Shaft Flanged Bushing (back) Set Screw.....
42367	23059	Frame Rotary Shaft Front Bearing Oil Pad (braided cotton).....
132560	23061	Frame Side Cover (left) with 132701.
132701	23061	" " " " Handle.....
330W	23061	" " " " Screw (2)...
42028	23061	" " " (right) hinged.....
42101	23068	" " " " Lock Spring
330W	23061	" " " " Screw (2)..
42029	23061	" Top Cover.....
42212	23068	" " " Extension.....
42102	23068	" " " " Holder....
283W	23068	" " " " " Thumb Screw.....

No.	Plate	Name
19044	23068	Frame Top Cover Extension Holder
		Thumb Screw Washer.....
176D	23068	Frame Top Cover Extension Screw (2).
742F	23061	" " " Screw (2).....
42299	23070	Guide, for blind stitch hemming.....
42300	23070	" " selvage edge.....
42301	23070	" (lower).....
42302	23070	" (upper).....
42303	23070	Guide Complete, for joining borders to cut edges of sweaters, Nos. 42301 and 42302.....
42304	23070	Guide Holder.....
1209C	23070	" " Screw.....
38635	23070	" " Washer.....
193F	23070	" Screw (2).....
7071	23070	" Washer (2).....
42305	23065	Knife (movable) (2).....
		Note: Two No. 42305 are sent with this machine.
42306	23065	Knife (movable) Gib.....
132926	23065	" " Holder.....
132927	-----	Knife (movable) Holder 132926 with 133F, 42040, 42306, 132928 and two 220E.....
132928	23065	Knife (movable) Holder Cap.....
220E	23065	" " " " Screw (2)
42038	23065	" " " Guide with 336F.....
42039	23065	Knife (movable) Holder Guide Plate..
621D	23065	" " " " " "
		Screw (2).....
336F	23065	Knife (movable) Holder Guide Set Screw.....
133F	23065	Knife (movable) Holder Screw.....
42040	23065	" " " " " Exten- sion Pin.....
42041	23065	Knife (movable) Holder Spring.....
42042	23065	" " " Lever.....
42217	23059	" " " Connection with two 175E.....
175E	23059	Knife (movable) Lever Connection Cap Screw (2).....
1373C	23059	Knife (movable) Lever Connection Hinge Screw.....
1520C	23059	Knife (movable) Lever Connection Hinge Screw Nut.....
42045	23065	Knife (movable) Lever Hinge Stud....
1229C	23065	" " " " " Set Screw.....
42309	23065	Knife (stationary) with 42049 (2)... Note: Two No. 42309 are sent with this machine.
42310	23065	Knife (stationary) Clamping Stud....
1534D	23065	" " " " "
		Thumb Nut.....

No.	Plate	Name
132767	23065	Knife (stationary) Holder.....
1376C	23065	" " " " " Regulating Thumb Screw.....
1101C	23065	Knife (stationary) Holder Screw....
440AL	23065	" " " " " Stop Screw (2).....
1547J	23065	Knife (stationary) Holder Stop Screw Nut (2).....
42049	23065	Knife (stationary) Stud.....
42219	23066	Looper (left hand).....
132870	23066	" " " " " Lever with 50117AL
42318	-----	" " " " " 132870 with 42053.....
42052	23066	Looper (left hand) Lever Connecting Link.....
42384	-----	Looper (left hand) Lever Connecting Link 42052 with two each 1520C and 50562C.....
50562C	23066	Looper (left hand) Lever Connecting Link Hinge Screw (2).....
1520C	23066	Looper (left hand) Lever Connecting Link Hinge Screw Nut (2).....
42053	23066	Looper (left hand) Lever Hinge Stud.
1036AL	23066	" " " " " " " "
		Set Screw.....
50117AL	23066	Looper (left hand) Set Screw.....
42220	23066	" (right hand).....
42073	23066	" " " and Spreader Lever with 1259AL.....
42330	-----	Looper (right hand) and Spreader Lever 42073 with 233D, 42078 and 42242.....
42221	23059	Looper (right hand) and Spreader Lever Ball Stud.....
1259AL	23066	Looper (right hand) and Spreader Lever Ball Stud Set Screw.....
42075	23059	Looper (right hand) and Spreader Lever Connection with four 896AL
42386	-----	Looper (right hand) and Spreader Lever Connection 42075 with 42211 and 42221.....
132936	23059	Looper (right hand) and Spreader Lever Connection 42386 with 171AL and 42077.....
896AL	23059	Looper (right hand) and Spreader Lever Connection Cap (lower) Screw (2).....
896AL	23059	Looper (right hand) and Spreader Lever Connection Cap (upper) Screw (2).....
42077	23059	Looper (right hand) and Spreader Lever Connection Guide.....
171AL	23059	Looper (right hand) and Spreader Lever Connection Guide Screw....
42106	23068	Looper (right hand) and Spreader Lever Connection Oil Tube and Bracket with 29599.....

No.	Plate	Name
29599	23068	Looper (right hand) and Spreader Lever Connection Oil Tube Pack- ing (felt).....
42078	23066	Looper (right hand) and Spreader Lever Hinge Pin.....
42079	23066	Looper (right hand) and Spreader Lever Hinge Pin Bushing (2).....
1259AL	23066	Looper (right hand) and Spreader Lever Hinge Pin Bushing Set Screw (2).....
197D	23066	Looper (right hand) Screw.....
38534	23066	Needle Bar (hollow).....
42253	23066	" " Bushing (2).....
462AL	23066	" " " Set Screw (2)....
42291	23066	" " Connecting Bracket with 223F and 1057AL.....
1057AL	-----	Needle Bar Connecting Bracket Clamp- ing Screw.....
42055	23066	Needle Bar Connecting Link.....
42326	-----	" " " " 42055 with 42104, 42291 and two 40247.
40247	23066	Needle Bar Connecting Link Hinge Pin (2).....
223F	23066	Needle Bar Connecting Link Hinge Pin Set Screw for 42291.....
904AL	23066	Needle Bar Connecting Link Hinge Pin Set Screw for 42104.....
42057	23059	Needle Bar Connecting Rod with four 896AL.....
42383	-----	Needle Bar Connecting Rod 42057 with 42074.....
42373	-----	Needle Bar Connecting Rod 42383 with 42266.....
896AL	23059	Needle Bar Connecting Rod Cap (lower) Screw (2).....
896AL	23059	Needle Bar Connecting Rod Cap (up- per) Screw (2).....
42077	23059	Needle Bar Connecting Rod Guide....
171AL	23059	" " " " " "
42103	23066	Screw.....
42074	23059	Needle Bar Crank (back) with 1258AL and two 1259AL.....
1259AL	23066	" " " " " "
1259AL	23066	Set Screw.....
1258AL	23066	Needle Bar Crank (back) Position Screw.....
42104	23066	Needle Bar Crank (back) Set Screw... " " " (front) with 904AL, 1258AL and 1259AL.....
1259AL	23066	Needle Bar Crank (front) Position Screw.....
1258AL	23066	Needle Bar Crank (front) Set Screw..
42105	23066	" " " Shaft.....
42487	23066	" " " Bushing (2)..

No.	Plate	Name
624AL	23066	Needle Bar Crank Shaft Bushing Set Screw (2).....
42115	23066	Needle Bar Thread Retainer Bracket..
228D	23066	" " " " "
42483	23066	Screw.....
93AL	23066	Needle Bar Thread Retainer Disc....
10107	23066	" " " " Screw....
1728C	23066	" " " " Spring...
42066	23065	" Clamping Nut.....
171F	23065	" Guard.....
42312	23070	" " Screw.....
42313	23070	Presser Foot Body.....
233D	23070	" " Chaining-off Finger....
9320	23070	" " " " "
42314	23070	Screw.....
42315	23070	Presser Foot Hinge Pin.....
233D	23070	" " Plate.....
14058	23070	" " Smoothing Plate.....
42160	23070	" " " " Screw..
464AL	23070	" " Spring.....
42316	23070	" " " Adjusting Pin... Set Screw.....
1324C	23065	Presser Foot (spring hinged) com- plete, for use with 42295 and 42297, Nos. 464AL, 9320, 14058, 42160, 42312 to 42315 and two 233D.....
39541	23065	Presser Foot Screw.....
42227	23065	" " " Washer.....
42377	-----	" Lever.....
42045	23065	" " 42227 with 42045.....
1120AL	23065	" " Hinge Stud.....
42070	23065	" " " " Set Screw..
85D	23065	" " Lifter.....
1377C	23065	" " " Hinge Screw....
1547J	23065	" " Screw Stud (eccentric)
42071	23065	" " " " Nut.....
1378D	23065	" " Spring.....
42250	23066	Pressure Regulating Thumb Screw....
197D	23066	Spreader.....
2102	23068	" Screw.....
1560C	23068	Tension (looper, left hand) Disc (2)
828C	23068	" " " " Regu- lating Thumb Nut.....
42418	-----	Tension (looper, left hand) Screw Stud.....
42121	23068	Tension (looper, left hand) Screw Stud 828C with 1560C.....
2102	23068	Tension (looper, left hand) Spring..
1560C	23068	" (looper, right hand) Disc (2).....
828C	23068	Tension (looper, right hand) Regu- lating Thumb Nut.....
828C	23068	Tension (looper, right hand) Screw Stud.....

No.	Plate	Name
42418	-----	Tension (looper, right hand) Screw Stud 828C with 1560C.....
10148	23068	Tension (looper, right hand) Spring.
17547	23068	" " " " Thread Guide.....
2102	23068	Tension (needle thread) Disc (2)....
1560C	23068	" " " " Regulating Thumb Nut.....
916C	23068	Tension (needle thread) Screw Stud..
44209	-----	" " " " " " 916C with 1560C.....
2103	23068	Tension (needle thread) Spring.....
42082	23068	" " " " Thread Guide
42242	23066	Thread (looper, left hand) Eyelet...
233D	23066	" " " " " " Screw.....
42122	23070	Thread (looper, left hand) Nipper Spring (lower).....
42123	23070	Thread (looper, left hand) Nipper Spring (upper).....
176F	23070	Thread (looper, left hand) Nipper Spring Screw.....
42124	23070	Thread (looper, left hand) Pull-off.
42125	23070	" " " " " " Eyelet.....
233D	23070	Thread (looper, left hand) Pull-off Screw.....
42084	23066	Thread (looper, left hand) Tube....
462AL	23066	" " " " " " Set Screw.....
42126	23070	Thread (looper, right hand) Pull-off
42093	23066	" " " " " " Staple..
190D	23066	" " " " " " Screw.....
42127	23066	Thread (looper, right hand) Take-up.
197D	23066	" " " " " " Screw.....
42096	23066	Thread (needle) Eyelet.....
217J	23066	" " " " " " Screw.....
42128	23066	" " " " " " Take-up.
197D	23066	" " " " " " Screw (2)...
42317	23070	Throat Plate.....
742F	23070	" " " " " " Screw (2).....
*15404	-----	Trade Mark.....
15405	-----	" " " " " " Rivet (2).....

LIST OF PARTS COMPLETE

FOR

MACHINE No. 81-II

FOR SEAMING KNIT GOODS. ONE NEEDLE,
ONE LOOPER. TWO-THREAD STITCH.
SPEED 3300 R. P. M.

No.	Plate	Name
*42484	-----	Arm with 15404 and two each 462AL, 624AL, 15405, 42253 and 42487...
4389	23060	Arm Dowel Pin (2).....
949E	23060	" Screw (2).....
42001	23060	Balance Wheel, 2 3/16 in. pulley with 424C and 1354C.....
1354C	23060	Balance Wheel Position Screw.....
424C	23060	" " " " Set Screw.....
42002	23062	Cloth Plate.....
42003	23062	" " " " Extension (lower).....
229E	23062	" " " " " " Screw (3).....
42108	23062	Cloth Plate Extension (upper).....
229E	23062	" " " " " " Screw (2).....
1437D	23062	Cloth Plate Hinge Screw.....
1655E	23062	" " " " " " Nut.....
42005	23062	" " " " " " Lock Spring.....
236C	23062	" " " " " " Screw (2)...
42107	23062	Cloth Plate complete, Nos. 42002, 42003, 42005, 42108, two 236C and five 229E.....
42205	23064	Feed Bar with 1253AL.....
42007	23064	" " " " " " Hinge Pin.....
1253AL	23064	" " " " " " Set Screw.....
42008	23060	" Connecting Rod with two 1057AL.
42371	-----	" " " " " " 42008 with 1375C and 1520C.....
1057AL	23060	Feed Connecting Rod Screw (2).....
1373C	23060	" " " " " " Hinge Screw....
1520C	23060	" " " " " " " Nut.
42289	23064	" Dog (21 teeth) 16 teeth to the inch.....
190J	23063	Feed Dog Screw.....
42011	23060	" Eccentric with two 453AL.....
42094	23069	" " " " " " Cover.....
42102	23069	" " " " " " Holder.....
283W	23069	" " " " " " Thumb Screw.....
19044	23069	Feed Eccentric Cover Holder Thumb Screw Washer.....

No.	Plate	Name
207F	23069	Feed Eccentric Cover Screw (2).....
453AL	23060	" " Set Screw (2).....
42012	23060	" Lifting Eccentric with two 462AL.....
42013	23060	Feed Lifting Eccentric Connection...
462AL	23060	" " " Set Screw (2)
1374C	23064	" Regulating Screw Stud.....
1680C	23064	" " " " Nut.....
42290	23064	" " " " Washer...
42014	23064	" Regulator with two each 233J and 1259AL.....
42015	23064	Feed Regulator Connection with 1012E
42368	----	" " " 42015 with 1373C and 1520C.....
1012E	23064	Feed Regulator Connection Adjusting Screw.....
1373C	23064	Feed Regulator Connection Hinge Screw.....
1520C	23064	Feed Regulator Connection Hinge Screw Nut.....
42016	23064	Feed Regulator Hinge Stud.....
1259AL	23064	" " Set Screw (2).....
233J	23064	" " Stop Screw (2).....
42019	23064	" Rock Shaft.....
42020	----	Feed Rock Shaft complete, Nos. 42019 and 42021.....
42021	23064	Feed Rock Shaft Crank with 157E.....
157E	23064	" " " Clamping Screw
42098	23064	" " " Hinge Pin.....
42079	23064	" " " " Bushing (2).....
1036AL	23064	Feed Rock Shaft Hinge Pin Bushing Set Screw (2).....
*42022	----	Frame.....
42023	23060	" Rotary Shaft.....
42024	23060	" " " Bushing (front)..
1036AL	23060	" " " " " "
42025	23060	Set Screw.....
1375AL	23060	Frame Rotary Shaft Crank with 1259AL and 1375AL.....
1259AL	23060	Frame Rotary Shaft Crank Position Screw.....
42026	23060	Frame Rotary Shaft Crank Set Screw..
54967	23060	" " " Flanged Bushing (back) with 54967.....
1036AL	23060	Frame Rotary Shaft Flanged Bushing (back) Oil Pad (braided cotton).
42367	23060	Frame Rotary Shaft Flanged Bushing (back) Set Screw.....
132638	23062	Frame Rotary Shaft Front Bearing Oil Pad (braided cotton).....
132701	23062	Frame Side Cover (left) with 132701.
530W	23062	" " " " Handle.....
42028	23062	" " " " Screw (2)... (right) hinged.....

No.	Plate	Name
42192	23069	Frame Side Cover (right) Lock Spring
330W	23069	" " " " " "
330W	23062	Screw (2).....
42029	23062	Frame Side Cover (right) Screw (2)..
742F	23062	" Top Cover.....
42194	23064	" " " Screw (2).....
217F	23064	Guide.....
7071	23064	" Screw (2).....
42114	23067	" " Washer (2).....
132870	23067	Looper (left hand).....
42318	----	" " " Lever with 50117AL " " " " 132870 with 42053.....
42052	23067	Looper (left hand) Lever Connecting Link.....
42384	----	Looper (left hand) Lever Connecting Link 42052 with two each 1520C and 50562C.....
50562C	23067	Looper (left hand) Lever Connecting Link Hinge Screw (2).....
1520C	23067	Looper (left hand) Lever Connecting Link Hinge Screw Nut (2).....
42053	23067	Looper (left hand) Lever Hinge Stud.
1036AL	23067	" " " " " "
50117AL	23067	Set Screw.....
42166	23067	Looper (left hand) Set Screw.....
42073	23067	" (right hand).....
42330	----	" " " and Spreader Lever with 1259AL.....
42074	23060	Looper (right hand) and Spreader Lever Ball Stud.....
1259AL	23067	Looper (right hand) and Spreader Lever Ball Stud Set Screw.....
42075	23060	Looper (right hand) and Spreader Lever Connection with four 896AL
42416	----	Looper (right hand) and Spreader Lever Connection 42075 with 42074.....
42382	----	Looper (right hand) and Spreader Lever Connection 42416 with 42025.....
42380	23060	Looper (right hand) and Spreader Lever Connection 42382 with 171AL and 42077.....
896AL	23060	Looper (right hand) and Spreader Lever Connection Cap (lower) Screw (2).....
896AL	23060	Looper (right hand) and Spreader Lever Connection Cap (upper) Screw (2).....
42077	23060	Looper (right hand) and Spreader Lever Connection Guide.....

No.	Plate	Name
171AL	23060	Looper (right hand) and Spreader Lever Connection Guide Screw....
42106	23069	Looper (right hand) and Spreader Lever Connection Oil Tube and Bracket with 29599.....
29599	23069	Looper (right hand) and Spreader Lever Connection Oil Tube Pack- ing (felt).....
42078	23067	Looper (right hand) and Spreader Lever Hinge Pin.....
42079	23067	Looper (right hand) and Spreader Lever Hinge Pin Bushing (2)....
1259AL	23067	Looper (right hand) and Spreader Lever Hinge Pin Bushing Set Screw (2).....
197D	23067	Looper (right hand) Screw.....
42054	23067	Needle Bar.....
42253	23067	" " Bushing (2).....
462AL	23067	" " " Set Screw (2)....
42061	23067	" " Connecting Bracket with 187D and 223F.....
187D	----	Needle Bar Connecting Bracket Clamp- ing Screw.....
42055	23067	Needle Bar Connecting Link.....
42335	----	" " " " 42055 with 42061, 42104 and two 40247.
40247	23067	Needle Bar Connecting Link Hinge Pin (2).....
223F	23067	Needle Bar Connecting Link Hinge Pin Set Screw for 42061.....
904AL	23067	Needle Bar Connecting Link Hinge Pin Set Screw for 42104.....
42057	23060	Needle Bar Connecting Rod with four 896AL.....
42383	----	Needle Bar Connecting Rod 42057 with 42074.....
42374	----	Needle Bar Connecting Rod 42383 with 42023.....
896AL	23060	Needle Bar Connecting Rod Cap (lower) Screw (2).....
896AL	23060	Needle Bar Connecting Rod Cap (upper) Screw (2).....
42077	23060	Needle Bar Connecting Rod Guide....
171AL	23060	" " " " " "
42103	23067	Needle Bar Crank (back) with 1258AL and two 1259AL.....
42074	23060	Needle Bar Crank (back) Ball Stud...
1259AL	23067	" " " " " " Set Screw.....
1259AL	23067	Needle Bar Crank (back) Position Screw.....
1258AL	23067	Needle Bar Crank (back) Set Screw...
42104	23067	" " " (front) with 904AL, 1258AL and 1259AL.....
1259AL	23067	Needle Bar Crank (front) Position Screw.....

No.	Plate	Name
1258AL	23067	Needle Bar Crank (front) Set Screw..
42105	23067	" " " Shaft.....
42487	23067	" " " " Bushing (2)..
624AL	23067	" " " " " Set Screw (2).....
42115	23067	Needle Bar Thread Retainer Bracket..
228D	23067	" " " " " " Screw.....
42483	23067	Needle Bar Thread Retainer Disc....
93AL	23067	" " " " " Screw....
10107	23067	" " " " " Spring...
1728C	23067	" Clamping Nut.....
42066	23064	" Guard.....
42195	23064	" " Holder.....
1101C	23064	" " " Screw.....
171F	23064	" " " Screw.....
42196	23064	Presser Foot Body.....
9320	23064	" " Hinge Pin.....
42197	23064	" " Plate.....
14058	23064	" " Spring.....
42160	23064	" " " Adjusting Pin...
464AL	23064	" " " " " " Set Screw.....
42198	23064	Presser Foot (spring hinged) com- plete, Nos. 464AL, 9320, 14058, 42160, 42196 and 42197.....
1324C	23064	Presser Foot Screw.....
39541	23064	" " " Washer.....
42069	23064	" Lever.....
42376	----	" " 42069 with 42045.....
42045	23064	" " Hinge Stud.....
1120AL	23064	" " " " Set Screw..
42070	23064	" " Lifter.....
85D	23064	" " " Hinge Screw....
1377C	23064	" " Screw Stud (eccentric)
1547J	23064	" " " " Nut.....
42071	23064	" " Spring.....
1378D	23064	Pressure Regulating Thumb Screw....
132631	23067	Spreader.....
197D	23067	" Screw.....
2102	23069	Tension (looper, left hand) Disc (2)
1560C	23069	" " " " " Regu- lating Thumb Nut.....
828C	23069	Tension (looper, left hand) Screw Stud.....
42418	----	Tension (looper, left hand) Screw Stud 828C with 1560C.....
42121	23069	Tension (looper, left hand) Spring..
2102	23069	" (looper, right hand) Disc (2).....
1560C	23069	Tension (looper, right hand) Regu- lating Thumb Nut.....
828C	23069	Tension (looper, right hand) Screw Stud.....
42418	----	Tension (looper, right hand) Screw Stud 828C with 1560C.....

No.	Plate	Name
10148	23069	Tension (looper, right hand) Spring.
17547	23069	" " " " Thread
		Guide.....
2102	23069	Tension (needle thread) Disc (2)....
1560C	23069	" " " " Regulating
		Thumb Nut.....
916C	23069	Tension (needle thread) Screw Stud..
44209	-----	" " " " " "
		916C with 1560C.....
10148	23069	Tension (needle thread) Spring.....
42082	23069	" " " " Thread Guide
42242	23067	Thread (looper, left hand) Eyelet...
233D	23067	" " " " " "
		Screw.....
42084	23067	Thread (looper, left hand) Tube.....
462AL	23067	" " " " " " Set
		Screw.....
42093	23067	Thread (looper, right hand) Staple..
190D	23067	" " " " " "
		Screw.....
42127	23067	Thread (looper, right hand) Take-up.
197D	23067	" " " " " "
		Screw.....
42096	23067	Thread (needle) Eyelet.....
217J	23067	" " " " Screw.....
42128	23067	" " " " Take-up.....
197D	23067	" " " " Screw.....
42199	23064	Throat Plate.....
742F	23070	" " " " Screw (2).....
*15404	-----	Trade Mark.....
15405	-----	" " " " Rivet (2).....

ACCESSORIES

No.	Plate	Name
1407E	23043	Machine Base Thumb Screw, for 3 in. Table.....
1408E	23043	Machine Base Thumb Screw, for 2 in. Table.....
14063	23043	Machine Base Thumb Screw Spring.....
9842	23043	" " " " " "
		Washer.....
120344	23043	Oiler (copper plated) with 120345...
120345	23043	" Spout, 4 1/2 in. long.....
120440	23043	Screw Driver, 7 1/4 in. blade.....
42090	23043	Treading Wire.....
120541	23043	Tweezers (curved).....
42089	23043	Wrench for 1324, 1374 and 1728.....
8908	23043	" " " " 1520 and 1655.....
4822	23043	" " " " 1547.....

FOOT LIFTER PARTS

6439	23057	Chain, 36 in. to 45 in. with 56864 and 56865.....
		Note: When ordering No. 6439, give length required.
4879	23057	Chain Connecting Link.....
56864	23057	" Hook (large).....
56865	23057	" " (small).....
42130	23057	Lifting Lever.....
42131	23057	" " " Bracket.....
1229C	23057	" " " " Screw (2).....
1301D	23057	" " " " Hinge Screw.....
42132	23057	" " " " Spring.....
1148AL	23057	" " " " Stop Screw (2).....
1547J	23057	" " " " " Nut (2)....
4881	23057	Treadle.....
4882	23057	" Shaft.....
4883	23057	" Spring.....
4884	23057	" Stand.....
4885	23057	Treadle complete, Nos. 4879, 4881 to 4884 and two wood screws 1 in. No. 16 F.H.....
42133	-----	Foot Lifter complete, Nos. 1301D, 4885, 6439, 42130 to 42132 and two each 1148AL, 1229C and 1547J

KNEE LIFTER PARTS

No.	Plate	Name
42130	23057	Lifting Lever.....
42131	23057	" " Bracket.....
1229C	23057	" " " Screw (2).....
42142	23057	" " Connecting Rod.....
1301D	23057	" " Hinge Screw.....
42132	23057	" " Spring.....
1148AL	23057	" " Stop Screw (2).....
1547J	23057	" " " " Nut (2)....
2763	23057	Rock Shaft.....
12242	23057	" " Hanger with two wood screws 1 in. No. 10 (2).....
2765	23057	Rock Shaft Knee Arm.....
2766	23057	" " " " Hub with 356C...
356C	23057	" " " " " Set Screw....
2768	-----	Rock Shaft Knee Arm complete, Nos. 2765 to 2767.....
2767	23057	Rock Shaft Knee Plate with 356C.....
356C	23057	" " " " " Set Screw.....
6337	23057	" " Lifting Bracket with two 356C.....
7125	23057	Rock Shaft Lifting Bracket Hook.....
356C	23057	" " " " " Set Screw.....
356C	23057	Rock Shaft Lifting Bracket Set Screw
2770	23057	" " Stop Dog with 140219C (2)
140219C	23057	" " " " " Set Screw (2)...
42143	23057	Rock Shaft complete, Nos. 2763, 2768, 6337, 7125 and two each 2770 and 12242.....
42144	-----	Knee Lifter complete, Nos. 1301D, 42130 to 42132, 42142, 42143 and two each 1148AL, 1229C and 1547J

KNIFE GRINDER

FOR 81-7 MACHINE

No.	Plate	Name
41326	23072	Emery Wheel.....
1508C	23072	" " Clamping Nut.....
41327	23072	" " Shaft.....
41328	23072	" " " Pulley with 1036AL
1036AL	23072	" " " " " Set Screw..
41513	23072	" " " Washer (2).....
41329	23072	Frame with 1036AL.....
878D	23072	" Oil Hole Stop Screw (2).....
41330	23072	Knife Holder with two 14222.....

No.	Plate	Name
150209	23072	Knife Holder 41330 with 970D, 41331, 41332 and two each 313C, 771D, 1519J, 41333 and 41334.....
41331	23072	Knife Holder Bracket with 157E.....
157E	23072	" " " Clamping Screw.
42065	23072	" " " Hinge Stud.....
1036AL	23072	" " " " " Set Screw.....
717C	23072	Knife Holder Bracket Stop Screw.....
1520E	23072	" " " " " Nut.
41333	23072	" " Clamp (2).....
41334	23072	" " " Spring (2).....
14222	23072	" " " Steady Pin (2)...
771D	23072	" " " Thumb Screw (2)...
970D	23072	" " Regulating Thumb Screw.
313C	23072	" " Screw Center (2).....
1519J	23072	" " " " Nut (2)...
41332	23072	" " Spring.....
41335	23072	Knife Grinder complete, Nos. 717C, 1508C, 1520J, 41326 to 41329, 42065, 150209, two each 878D, 41513 and three wood screws 1 1/4 in. No. 12.....

MACHINE BASE

No.	Plate	Name
42086	23072	Machine Base with three wood screws 1 1/4 in. No. 12 and four each 935E, 4718, 42088 and 66707.....
4718	23072	Machine Base Cushion (felt) (4).....
42088	23072	" Cushion (felt) (4).....
935E	23072	" " Screw (4).....
66707	23072	" " " Washer (4)....

THREAD UNWINDER

FOR THREE LARGE SPOOLS OR THREE

LARGE CONES OF THREAD

No.	Plate	Name
225259	23071	Spool Rest (for one spool) with 201018C.....
225257	23071	Spool Rest (for two spools) with 201018C.....
150203	23071	Spool Rest Cushion (felt) (3).....
225388	23071	" " Rod.....

THREAD UNWINDER

No.	Plate	Name
200383C	23071	Spool Rest Rod Set Screw.....
201018C	23071	" " Set Screw (2).....
259658	23071	" Stand with 200383C.....
225391	23071	Thread Guide (3).....
201696J	23071	" " Lock Nut.....
225326	23071	" " Position Cup.....
225324	23071	" " Rod with 208AL and 225322.....
208AL	23071	Thread Guide Rod Screw.....
225322	23071	" " " " Washer.....
259143	23071	Thread Unwinder complete, Nos. 201696J, 225257, 225259, 225324, 225326, 225388, 259658, three each 150203, 225391 and wood screws 7/8 in. No. 12.....
27739	----	Thread Cone (wood) for large cones..
225390	----	" " Holder, for inverted cones.....
Note: Nos. 27739 and 225390 are used with, but not included in 259143.....		

SINGER Needles should be used
in SINGER Machines.
These Needles and their Containers
are marked with the
Company's Trade-Mark "SIMANCO.**" 1

Needles in Containers marked
"FOR SINGER MACHINES"
are NOT **SINGER** made needles. 2

NUMERICAL LIST OF PARTS

NUMERICAL LIST OF PARTS

No.	Plate	Name
61C	23063	Feed (back) Bar Hinge Screw for 81-7 Machine.....
85D	23064	Presser Lever Lifter Hinge Screw....
93AL	23066	Needle Bar Thread Retainer Screw....
133F	23065	Knife (movable) Holder Screw for 132927.....
157E	23063	Feed (front) Rock Shaft Crank Clamping Screw for 42021.....
157E	23064	Feed Rock Shaft Crank Clamping Screw for 42021.....
157E	23072	Knife Grinder Knife Holder Bracket Clamping Screw for 41331.....
171AL	23059	Looper (right hand) and Spreader Lever Connection Guide Screw for 42380 and 132936.....
171AL	23059	Needle Bar Connecting Rod Guide Screw.....
171F	23065	Needle Guard Screw.....
175E	23059	Knife (movable) Lever Connection Cap Screw for 42217 (2).....
176D	23068	Frame Top Cover Extension Screw, for 81-7 Machine (2).....
176F	23070	Thread (looper, left hand) Nipper Spring Screw for 81-7 Machine...
187D	-----	Needle Bar Connecting Bracket Clamping Screw for 42061.....
190J	23063	Feed (back) Regulator Set Screw for 81-7 Machine.....
190J	23063	Feed Dog Screw for 81-11 Machine....
190J	23063	Feed (front) Dog Screw for 81-7 Machine.....
190D	23066	Thread (looper, right hand) Staple Screw.....
193F	23070	Guide Screw for 81-7 Machine (2)....
197D	23066	Looper (right hand) Screw.....
197D	23066	Spreader Screw.....
197D	23066	Thread (looper, right hand) Take-up Screw.....
197D	23066	Thread (needle) Take-up Screw (2)...
203C	23063	Feed (back) Dog Screw for 81-7 Machine.....
207F	23069	Feed Eccentric Cover Screw for 81-11 Machine (2).....
207F	23063	Feed (front) Eccentric Cover Screw for 81-7 Machine (2).....
208AL	23071	Thread Unwinder Thread Guide Rod Screw for 225324.....
217F	23064	Guide Screw for 81-11 Machine (2)...
217J	23066	Thread (needle) Eyelet Screw.....
220E	23065	Knife (movable) Holder Cap Screw for 132927 (2).....

No.	Plate	Name
223F	23066	Needle Bar Connecting Link Hinge Pin Set Screw for 42061 and 42291...
228D	23066	Needle Bar Thread Retainer Bracket Screw.....
229E	23061	Cloth Plate Extension (lower) Screw for 42107 and 42293 (3).....
229E	23061	Cloth Plate Extension (upper) Screw for 42107 and 42293 (2).....
233J	23063	Feed (front) Regulator Stop Screw for 42014 (2).....
233J	23064	Feed Regulator Stop Screw for 42014 (2).....
233D	23070	Presser Foot Chaining-off Finger Screw for 42316.....
233D	23070	Presser Foot Smoothing Plate Screw for 42316.....
233D	23066	Thread (looper, left hand) Eyelet Screw for 42330.....
233D	23070	Thread (looper, left hand) Pull-off Screw for 81-7 Machine.....
236C	23061	Cloth Plate Lock Spring Screw for 42107 and 42293 (2).....
283W	23069	Feed Eccentric Cover Holder Thumb Screw for 81-11 Machine.....
283W	23068	Frame Top Cover Extension Holder Thumb Screw for 81-7 Machine....
313C	23072	Knife Grinder Knife Holder Screw Center for 150209 (2).....
330W	23061	Frame Side Cover (left) Screw (2)...
330W	23069	Frame Side Cover (right) Lock Spring Screw for 81-11 Machine (2).....
330W	23061	Frame Side Cover (right) Screw (2)..
336F	23065	Knife (movable) Holder Guide Set Screw for 42038.....
356C	23057	Rock Shaft Knee Arm Hub Set Screw for 2766.....
356C	23057	Rock Shaft Knee Plate Set Screw for 2767.....
356C	23057	Rock Shaft Lifting Bracket Hook Set Screw for 6337.....
356C	23057	Rock Shaft Lifting Bracket Set Screw for 6337.....
424C	23059	Balance Wheel Set Screw for 42001...
440AL	23065	Knife (stationary) Holder Stop Screw for 81-7 Machine (2).....
453AL	23060	Feed Eccentric Set Screw for 42011 (2).....
453AL	23059	Feed (front) Eccentric Set Screw for 42011 (2).....
462AL	23059	Feed (front) Lifting Eccentric Set Screw for 42208 (2).....
462AL	23060	Feed Lifting Eccentric Set Screw for 42012 (2).....
462AL	23066	Needle Bar Bushing Set Screw for 42484 and 42485 (2).....

No.	Plate	Name
462AL	23066	Thread (looper, left hand) Tube Set Screw.....
464AL	23064	Presser Foot Spring Adjusting Pin Set Screw for 42198 and 42316...
621D	23065	Knife (movable) holder Guide Plate Screw for 81-7 Machine (2).....
624AL	23066	Needle Bar Crank Shaft Bushing Set Screw for 42484 and 42485 (2)...
717C	23072	Knife Grinder Knife Holder Bracket Stop Screw for 41335.....
742F	23061	Frame Top Cover Screw (2).....
742F	23070	Throat Plate Screw (2).....
771D	23072	Knife Grinder Knife Holder Clamp Thumb Screw for 150209 (2).....
828C	23068	Tension (looper, left hand) Screw Stud for 42418.....
828C	23068	Tension (looper, right hand) Screw Stud for 42418.....
878D	23072	Knife Grinder Frame Oil Hole Stop Screw for 41335 (2).....
896AL	23059	Looper (right hand) and Spreader Lever Connection Cap (lower) Screw for 42075 (2).....
896AL	23059	Looper (right hand) and Spreader Lever Connection Cap (upper) Screw for 42075 (2).....
896AL	23059	Needle Bar Connecting Rod Cap (lower) Screw for 42057 (2).....
896AL	23059	Needle Bar Connecting Rod Cap (upper) Screw for 42057 (2).....
904AL	23066	Needle Bar Connecting Link Hinge Pin Set Screw for 42104.....
916C	23068	Tension (needle thread) Screw Stud for 44209.....
935E	23072	Machine Base Machine Cushion Screw for 42086 (4).....
949E	23059	Arm Screw (2).....
970D	23072	Knife Grinder Knife Holder Regulating Thumb Screw for 150209...
1012E	23063	Feed (front) Regulator Connection Adjusting Screw for 42015.....
1012E	23064	Feed Regulator Connection Adjusting Screw for 42015.....
1036AL	23063	Feed (front) Rock Shaft Hinge Pin Bushing Set Screw for 81-7 Machine (2).....
1036AL	23064	Feed Rock Shaft Hinge Pin Bushing Set Screw for 81-11 Machine (2)..
1036AL	23059	Frame Rotary Shaft Bushing (front) Set Screw.....
1036AL	23059	Frame Rotary Shaft Crank Set Screw for 42211.....
1036AL	23059	Frame Rotary Shaft Flanged Bushing (back) Set Screw.....
1036AL	23072	Knife Grinder Emery Wheel Shaft Pulley Set Screw for 41328.....

No.	Plate	Name
1036AL	23072	Knife Grinder Knife Holder Bracket
		Hinge Stud Set Screw for 41329..
1036AL	23066	Looper (left hand) Lever Hinge Stud Set Screw.....
1057AL	23060	Feed Connecting Rod Cap Screw for 42008 (2).....
1057AL	23059	Feed (front) Connecting Rod Cap Screw for 42008 (2).....
1057AL	-----	Needle Bar Connecting Bracket Clamp- ing Screw for 42291.....
1101C	23065	Knife (stationary) Holder Screw for 81-7 Machine.....
1101C	23064	Needle Guard Holder Screw for 81-11 Machine.....
1120AL	23064	Presser Lever Hinge Stud Set Screw..
1132C	23063	Feed (back) Connecting Link Hinge Screw for 81-7 Machine.....
1132C	23063	Feed (back) Regulator Hinge Screw for 81-7 Machine.....
1148AL	23057	Lifting Lever Stop Screw, for 42133 and 42144 (2).....
1209C	23070	Guide Holder Screw, for 81-7 Machine
1229C	23065	Knife (movable) Lever Hinge Stud Set Screw for 81-7 Machine.....
1229C	23057	Lifting Lever Bracket Screw, for 42133 and 42144 (2).....
1253AL	23064	Feed Bar Hinge Pin Set Screw for 42205.....
1253AL	23063	Feed (front) Bar Hinge Pin Set Screw for 42296.....
1258AL	23066	Needle Bar Crank (back) Set Screw for 42103.....
1258AL	23066	Needle Bar Crank (front) Set Screw for 42104.....
1259AL	23063	Feed (front) Regulator Set Screw for 42014 (2).....
1259AL	23064	Feed Regulator Set Screw for 42014 (2).....
1259AL	23060	Frame Rotary Shaft Crank Set Screw for 42025.....
1259AL	23066	Looper (right hand) and Spreader Lever Ball Stud Set Screw for 42073.....
1259AL	23066	Looper (right hand) and Spreader Lever Hinge Pin Bushing Set Screw (2).....
1259AL	23066	Needle Bar Crank (back) Ball Stud Set Screw for 42103.....
1259AL	23066	Needle Bar Crank (back) Position Screw for 42103.....
1259AL	23066	Needle Bar Crank (front) Position Screw for 42104.....
1301D	23057	Lifting Lever Hinge Screw for 42133 and 42144.....
1324C	23064	Presser Foot Screw.....

No.	Plate	Name
1354C	23059	Balance Wheel Position Screw for 42001.....
1373C	23063	Feed Connecting Rod Hinge Screw for 42371.....
1373C	23059	Feed (front) Connecting Rod Hinge Screw for 42371.....
1373C	23060	Feed (front) Regulator Connection Hinge Screw for 42368.....
1373C	23064	Feed Regulator Connection Hinge Screw for 42368.....
1373C	23059	Knife (movable) Lever Connection Hinge Screw for 81-7 Machine....
1374C	23063	Feed (front) Regulating Screw Stud for 81-7 Machine.....
1374C	23064	Feed Regulating Screw Stud for 81-11 Machine.....
1375AL	23059	Frame Rotary Shaft Crank Position Screw for 42025 and 42211.....
1376C	23065	Knife (stationary) Holder Regulating Thumb Screw, for 81-7 Machine...
1377C	23064	Presser Lever Screw Stud (eccentric)
1378D	23064	Pressure Regulating Thumb Screw....
1407E	23043	Machine Base Thumb Screw, for 3 in. table (accessories).....
1408E	23043	Machine Base Thumb Screw, for 2 in. table (accessories).....
1437D	23061	Cloth Plate Hinge Screw.....
1444C	23063	Feed (back) Regulator Thumb Screw for 81-7 Machine.....
1508C	23072	Knife Grinder Emery Wheel Clamping Nut for 41335.....
1519J	23072	Knife Grinder Knife Holder Screw Center Nut for 150209 (2).....
1520C	23060	Feed Connecting Rod Hinge Screw Nut for 42371.....
1520C	23059	Feed (front) Connecting Rod Hinge Screw Nut for 42371.....
1520C	23063	Feed (front) Regulator Connection Hinge Screw Nut for 42368.....
1520C	23064	Feed Regulator Connection Hinge Screw Nut for 42368.....
1520E	23072	Knife Grinder Knife Holder Bracket Stop Screw Nut for 41335.....
1520C	23059	Knife (movable) Lever Connection Hinge Screw Nut for 81-7 Machine
1520C	23066	Looper (left hand) Lever Connecting Link Hinge Screw Nut for 42384 (2).....
1534D	23065	Knife (stationary) Clamping Stud Thumb Nut for 81-7 Machine.....
1547J	23065	Knife (stationary) Holder Stop Screw Nut for 81-7 Machine (2).....
1547J	23057	Lifting Lever Stop Screw Nut for 42133 and 42144 (2).....
1547J	23064	Presser Lever Screw Stud Nut.....

No.	Plate	Name
1560C	23068	Tension (looper, left hand) Regulating Thumb Nut for 42418.....
1560C	23068	Tension (looper, right hand) Regulating Thumb Nut for 42418.....
1560C	23068	Tension (needle thread) Regulating Thumb Nut for 44209.....
1655E	23061	Cloth Plate Hinge Screw Nut.....
1680C	23063	Feed (front) Regulating Screw Stud Nut, for 81-7 Machine.....
1680C	23064	Feed Regulating Screw Stud for 81-11 Machine.....
1728C	23066	Needle Clamping Nut.....
2102	23068	Tension (looper, left hand) Disc (2)
2102	23068	Tension (looper, right hand) Disc (2).....
2102	23068	Tension (needle thread) Disc (2)....
2103	23068	" " " Spring for 81-7 Machine.....
2763	23057	Rock Shaft for 42143.....
2765	23057	" " Knee Arm for 2768.....
2766	23057	" " " Hub with 356C....
2767	23057	" " " Plate with 356C for 2768.....
2768	-----	Rock Shaft Knee Arm complete for 42143, Nos. 2765 to 2767.....
2770	23057	Rock Shaft Stop Dog with 140219C for 42143 (2).....
4389	23059	Arm Dowel Pin (2).....
4718	23072	Machine Base Cushion (felt) for 42086 (4).....
4822	23043	Wrench for 1547 (accessories).....
4879	23057	Chain Connecting Link for 4885.....
4881	23057	Treadle for 4885.....
4882	23057	Treadle Shaft for 4885.....
4883	23057	Treadle Spring for 4885.....
4884	23057	Treadle Stand for 4885.....
4885	23057	Treadle complete, for 42133, Nos. 4879, 4881 to 4884 and two wood screws 1 in. No. 16 F.H.....
6337	23057	Rock Shaft Lifting Bracket with two 356C for 42143.....
6439	23057	Chain, 36 in. to 45 in. with 56864 and 56865, for 42133.....
		Note: When ordering No. 6439, give length required.
7071	23070	Guide Screw Washer (2).....
7125	23057	Rock Shaft Lifting Bracket Hook for 42143.....
8908	23043	Wrench for 1520 and 1655 (accessories).....
9320	23070	Presser Foot Hinge Pin for 42198 for 42316.....
9842	23043	Machine Base Thumb Screw Spring Washer (accessories).....
10107	23066	Needle Bar Thread Retainer Spring...

No.	Plate	Name
10148	23068	Tension (looper, right hand) Spring.
10148	23069	" (needle thread) Spring.....
12242	23057	Rock Shaft Hanger with two wood Screws 1 in. No. 10 for 42143 (2).....
14058	23070	Presser Foot Spring for 42198 and 42316.....
14063	23043	Machine Base Thumb Screw Spring (accessories).....
14222	23072	Knife Grinder Knife Holder Clamp Steady Pin for 41330 (2).....
*15404	-----	Trade Mark for 42484 and 42485.....
15405	-----	Trade Mark Rivet for 42484 and 42485 (2).....
17547	23068	Tension (looper, right hand) Thread Guide.....
19044	23069	Feed Eccentric Cover Holder Thumb Screw Washer, for 81-11 Machine.
19044	23068	Frame Top Cover Extension Holder Thumb Screw Washer, for 81-7 Machine.....
27739	-----	Thread Unwinder Thread Cone (wood) for large cones for use with 259143.....
		Note: 27739 is used with but not included in 259143.
29599	23068	Looper (right hand) and Spreader Lever Connection Oil Tube Packing (felt) for 42106.....
38534	23066	Needle Bar (hollow) for 81-7 Machine
38635	23070	Guide Holder Screw Washer for 81-7 Machine.....
39541	23064	Presser Foot Screw Washer.....
40247	23066	Needle Bar Connecting Link Hinge Pin for 42326 and 42335 (2).....
41326	23072	Knife Grinder Emery Wheel for 41335.
41327	23072	" " " " Shaft for 41335.....
41328	23072	Knife Grinder Emery Wheel Shaft Pulley with 1036AL for 41335....
41329	23072	Knife Grinder Frame with 1036AL for 41335.....
41330	23072	Knife Grinder Knife Holder with two 14222 for 150209.....
41331	23072	Knife Grinder Knife Holder Bracket with 157E for 150209.....
41332	23072	Knife Grinder Knife Holder Spring for 150209.....
41333	23072	Knife Grinder Knife Holder Clamp for 150209 (2).....
41334	23072	Knife Grinder Knife Holder Clamp Spring for 150209 (2).....
41335	23072	Knife Grinder complete, for 81-7 Machine Nos. 717C, 1508C, 1520J, 41326 to 41329, 42065, 150209, two each 878D, 41513 and three wood screws 1 1/4 in. No. 12....

No.	Plate	Name
41513	23072	Knife Grinder Emery Wheel Washer for 41335 (2).....
42001	23059	Balance Wheel, 2 3/16 in. Pulley with 424C and 1354C.....
42002	23062	Cloth Plate for 42107.....
42003	23062	" " Extension (lower) for 42107.....
42005	23061	Cloth Plate Lock Spring for 42107 and 42293.....
42007	23064	Feed Bar Hinge Pin for 81-11 Machine
42007	23063	Feed (front) Bar Hinge Pin for 81-7 Machine.....
42008	23060	Feed Connecting Rod with two 1057AL for 42371.....
42008	23059	Feed (front) Connecting Rod with two 1057AL for 42371.....
42011	23060	Feed Eccentric with two 453AL, for 81-11 Machine.....
42011	23059	Feed (front) Eccentric with two 453AL, for 81-7 Machine.....
42012	23060	Feed Lifting Eccentric with two 462AL for 81-11 Machine.....
42013	23059	Feed (front) Lifting Eccentric Connection for 81-7 Machine.....
42013	23060	Feed Lifting Eccentric Connection for 81-11 Machine.....
42014	23063	Feed (front) Regulator with two each 233J and 1259AL for 81-7 Machine
42014	23064	Feed Regulator with two each 233J and 1259AL for 81-11 Machine....
42015	23063	Feed (front) Regulator Connection with 1012E for 42368.....
42015	23064	Feed Regulator Connection with 1012E for 42368.....
42016	23063	Feed (front) Regulator Hinge Stud for 81-7 Machine.....
42016	23064	Feed Regulator Hinge Stud for 81-11 Machine.....
42019	23064	Feed Rock Shaft for 42020.....
42020	-----	Feed Rock Shaft complete for 81-11 Machine Nos. 42019 and 42021....
42021	23063	Feed (front) Rock Shaft Crank with 157E for 42155.....
42021	23064	Feed Rock Shaft Crank with 157E for 42020.....
*42022	-----	Frame for 81-11 Machine.....
42023	23060	Frame Rotary Shaft for 42374.....
42024	23059	" " " Bushing (front)..
42025	23060	" " " Crank with 1259AL and 1375AL for 42382.....
42026	23059	Frame Rotary Shaft Flanged Bushing (back) with 54967.....
42028	23061	Frame Side Cover (right) hinged.....
42029	23061	" Top Cover.....
42038	23065	Knife (movable) Holder Guide with 336F for 81-7 Machine.....

No.	Plate	Name
42039	23065	Knife (movable) Holder Guide Plate for 81-7 Machine.....
42040	23065	Knife (movable) Holder Screw Extension Pin for 132927.....
42041	23065	Knife (movable) Holder Spring for 81-7 Machine.....
42042	23065	Knife (movable) Lever for 81-7 Machine.....
42045	23065	Knife (movable) Lever Hinge Stud for 81-7 Machine.....
42045	23064	Presser Lever Hinge Stud for 42376 and 42377.....
42049	23065	Knife (stationary) Stud for 42309...
42052	23066	Looper (lift hand) Lever Connecting Link.....
42053	23066	Looper (left hand) Lever Hinge Stud for 42318.....
42054	23067	Needle Bar for 81-11 Machine.....
42055	23066	" " Connecting Link for 42326 and 42335.....
42057	23059	Needle Bar Connecting Rod with four 896AL, for 42383.....
42061	23067	Needle Bar Connecting Bracket with 187D and 223F for 42335.....
42065	23072	Knife Grinder Knife Holder Bracket Hinge Stud for 41335.....
42066	23065	Needle Guard.....
42069	23064	Presser Lever for 42376.....
42070	23064	Presser Lever Lifter.....
42071	23064	Presser Lever Spring.....
42073	23066	Looper (right hand) and Spreader Lever with 1259AL, for 42330....
42074	23060	Looper (right hand) and Spreader Lever Ball Stud for 42416.....
42074	23059	Needle Bar Crank (back) Ball Stud for 42383 and 42416.....
42075	23059	Looper (right hand) and Spreader Lever Connection with four 896AL, for 42386 and 42416.....
42077	23059	Looper (right hand) and Spreader Lever Connection Guide for 42380 and 132936.....
42077	23059	Needle Bar Connecting Rod Guide.....
42078	23066	Looper (right hand) and Spreader Lever Hinge Pin for 42330.....
42079	23063	Feed (front) Rock Shaft Hinge Pin Bushing for 81-7 Machine (2)....
42079	23064	Feed Rock Shaft Hinge Pin Bushing for 81-11 Machine (2).....
42079	23066	Looper (right hand) and Spreader Lever Hinge Pin Bushing (2).....
42082	23068	Tension (needle thread) Thread Guide
42084	23066	Thread (looper, left hand) Tube.....
42086	23072	Machine Base with three wood screws 1 1/4 in. No. 12 and four each 935E, 4718, 42088 and 66707.....

No.	Plate	Name
42088	23072	Machine Base Machine Cushion (felt) for 42086 (4).....
42089	23043	Wrench for 1324, 1374 and 1728 (accessories).....
42090	23043	Threading Wire (accessories).....
42093	23066	Thread (looper, right hand) Staple..
42094	23069	Feed Eccentric Cover for 81-11 Machine.....
42096	23066	Thread (needle) Eyelet.....
42098	23063	Feed (front) Rock Shaft Hinge Pin for 81-7 Machine.....
42098	23064	Feed Rock Shaft Hinge Pin for 81-11 Machine.....
42101	23068	Frame Side Cover (right) Lock Spring for 81-7 Machine.....
42102	23069	Feed Eccentric Cover Holder for 81-11 Machine.....
42102	23068	Frame Top Cover Extension Holder for 81-7 Machine.....
42103	23066	Needle Bar Crank (back) with 1258AL and two 1259AL.....
42104	23066	Needle Bar Crank (front) with 904AL, 1258AL and 1259AL, for 42326 and 42335.....
42105	23066	Needle Bar Crank Shaft.....
42106	23068	Looper (right hand) and Spreader Lever Connection Oil Tube and Bracket with 29599.....
42107	23062	Cloth Plate complete for 81-11 Machine, Nos. 42002, 42003, 42005, 42108, two 236C and five 229E...
42108	23061	Cloth Plate Extension (upper) for 42107 and 42293.....
42114	23067	Looper (left hand) for 81-11 Machine
42115	23066	Needle Bar Thread Retainer Bracket..
42121	23068	Tension (looper, left hand) Spring..
42122	23070	Thread (looper, left hand) Nipper Spring (lower) for 81-7 Machine.
42123	23070	Thread (looper, left hand) Nipper Spring (upper) for 81-7 Machine.
42124	23070	Thread (looper, left hand) Pull-off for 81-7 Machine.....
42125	23070	Thread (looper, left hand) Pull-off Eyelet for 81-7 Machine.....
42126	23070	Thread (looper, right hand) Pull-off for 81-7 Machine.....
42127	23066	Thread (looper, right hand) Take-up.
42128	23066	Thread (needle) Take-up.....
42130	23057	Lifting Lever for 42133 and 42144...
42131	23057	Lifting Lever Bracket for 42133 and 42144.....
42132	23057	Lifting Lever Spring for 42133 and 42144.....
42133	-----	Foot Lifter complete Nos. 1301D, 4885, 6439, 42130 to 42132 and two each 1148AL, 1229C and 1547J

No.	Plate	Name
42142	23057	Lifting Lever Connecting Rod for 42144.....
42143	23057	Rock Shaft complete for 42144, Nos. 2763, 2768, 6337, 7125 and two each 2770 and 12242.....
42144	-----	Knee Lifter complete, Nos. 1301D, 42130 to 42132, 42142, 42143 and two each 1148AL, 1229C and 1547J
42147	23063	Feed (back) Bar for 81-7 Machine....
42148	23063	Feed (back) Connecting Link for 81-7 Machine.....
42150	23063	Feed (back) Regulator for 81-7 Machine.....
42154	23063	Feed (front) Rock Shaft for 42155...
42155	-----	Feed (front) Rock Shaft complete, for 81-7 Machine Nos. 42021 and 42154.....
42160	23070	Presser Foot Spring Adjusting Pin for 42198 and 42316.....
42166	23067	Looper (right hand) for 81-11 Machine.....
42192	23069	Frame Side Cover (right) Lock Spring for 81-11 Machine.....
42194	23064	Guide for 81-11 Machine.....
42195	23064	Needle Guard Holder for 81-11 Machine.....
42196	23064	Presser Foot Body for 42198.....
42197	23064	Presser Foot Plate for 42198.....
42198	23064	Presser Foot (spring hinged) complete for 81-11 Machine Nos. 464AL, 9320, 14058, 42160, 42196 and 42197.....
42199	23064	Throat Plate for use with 42289, for 81-11 Machine.....
42205	23064	Feed Bar with 1253AL, for 81-11 Machine.....
42208	23059	Feed (front) Lifting Eccentric with two 462AL for 81-7 Machine.....
*42209	-----	Frame for 81-7 Machine.....
42211	23059	Frame Rotary Shaft Crank with 1036AL and 1375AL for 42386.....
42212	23068	Frame Top Cover Extension for 81-7 Machine.....
42217	23059	Knife (movable) Lever Connection with two 175E for 81-7 Machine..
42219	23066	Looper (left hand) for 81-7 Machine.
42220	23066	Looper (right hand) for 81-7 Machine
42221	23059	Looper (right hand) and Spreader Lever Ball Stud for 42386.....
42227	23065	Presser Lever for 42377.....
42242	23066	Thread (looper, left hand) Eyelet for 42330.....
42250	23066	Spreader for 81-7 Machine.....
42253	23066	Needle Bar Bushing for 42484 and 42485 (2).....

No.	Plate	Name
42266	23059	Frame Rotary Shaft for 42373.....
42289	23064	Feed Dog, 21 teeth (16 teeth to the inch) for use with 42199 for 81-11 Machine.....
42290	23063	Feed (front) Regulating Screw Stud Washer for 81-7 Machine.....
42290	23064	Feed Regulating Screw Stud Washer for 81-11 Machine.....
42291	23066	Needle Bar Connecting Bracket with 223F and 1057AL, for 42326.....
42292	23061	Cloth Plate for 42293.....
42293	23061	Cloth Plate complete for 81-7 Machine Nos. 42005, 42108, 42292, 42294, two 236C and five 229E.....
42294	23061	Cloth Plate Extension (lower) for 42293.....
42295	23063	Feed (back) Dog, 2 teeth (16 teeth to the inch) for use with 42317, for 81-7 Machine.....
42296	23063	Feed (front) Bar with 1253AL for 81-7 Machine.....
42297	23063	Feed (front) Dog, 7 teeth (8 teeth to the inch) for use with 42317, for 81-7 Machine.....
42298	23068	Feed (front) Eccentric Cover, for 81-7 Machine.....
42299	23070	Guide, for blind stitch hemming for 81-7 Machine.....
42300	23070	Guide, for selvage edge, for 81-7 Machine.....
42301	23070	Guide (lower) for 42303.....
42302	23070	Guide (upper) for 42303.....
42303	23070	Guide complete, for joining borders to cut edges of sweaters for 81-7 Machine Nos. 42301 and 42302.....
42304	23070	Guide Holder for 81-7 Machine.....
42305	23065	Knife (movable) for 81-7 Machine (2) Note: Two No. 42305 are sent with the 81-7 Machine.....
42306	23065	Knife (movable) Gib for 132927.....
42309	23065	Knife (stationary) with 42049, for 81-7 Machine (2)..... Note: Two No. 42309 are sent with the 81-7 Machine.....
42310	23065	Knife (stationary) Clamping Stud, for 81-7 Machine.....
42312	23070	Presser Foot Body for 42316.....
42313	23070	Presser Foot Chaining-off Finger for 42316.....
42314	23070	Presser Foot Plate for 42316.....
42315	23070	Presser Foot Smoothing Plate for 42316.....
42316	23070	Presser Foot (spring hinged) complete for use with 42295 and 42297 for 81-7 Machine, Nos. 464AL, 9320, 14058, 42160, 42312 to 42315 and two 233D.....

No.	Plate	Name
42317	23070	Throat Plate for use with 42295, 42297 and 42460, for 81-7 Machine.....
42318	-----	Looper (left hand) Lever 132870 with 42053.....
42326	-----	Needle Bar Connecting Link 42055 with 42104, 42291 and two 40247, for 81-7 Machine.....
42330	-----	Looper (right hand) and Spreader Lever 42073 with 233D, 42078 and 42242.....
42335	-----	Needle Bar Connecting Link 42055 with 42061, 42104 and two 40247, for 81-11 Machine.....
42367	23059	Frame Rotary Shaft Front Bearing Oil Pad (braided cotton).....
42368	-----	Feed (front) Regulator Connection 42015 with 1373C and 1520C for 81-7 Machine.....
42368	-----	Feed Regulator Connection 42015 with 1373C and 1520C for 81-11 Machine.....
42371	-----	Feed Connecting Rod 42008 with 1373C and 1520C for 81-11 Machine.....
42371	-----	Feed (front) Connecting Rod 42008 with 1373C and 1520C for 81-7 Machine.....
42373	-----	Needle Bar Connecting Rod 42383 with 42266 for 81-7 Machine.....
42374	-----	Needle Bar Connecting Rod 42383 with 42023 for 81-11 Machine.....
42376	-----	Presser Lever 42069 with 42045 for 81-11 Machine.....
42377	-----	Presser Lever 42227 with 42045 for 81-7 Machine.....
42380	23060	Looper (right hand) and Spreader Lever Connection 42382 with 171AL and 42077, for 81-11 Machine.....
42382	-----	Looper (right hand) and Spreader Lever Connection 42416 with 42025 for 42380.....
42383	-----	Needle Bar Connecting Rod 42057 with 42074 for 42373 and 42374.....
42384	-----	Looper (left hand) Lever Connecting Link 42052 with two each 1520C and 50562C.....
42386	-----	Looper (right hand) and Spreader Lever Connection 42075 with 42211 and 42221 for 132936.....
42416	-----	Looper (right hand) and Spreader Lever Connection 42075 with 42074, for 42382.....
42418	-----	Tension (looper, left hand) Screw Stud 828C with 1560C.....
42418	-----	Tension (looper, right hand) Screw Stud 828C with 1560C.....

No.	Plate	Name
42460	23063	Feed (front) Dog, 9 teeth (8 teeth to the inch) for coarse loosely knitted fabrics, for use with 42317, for 81-7 Machine.....
42483	23066	Needle Bar Thread Retainer Disc.....
*42484	-----	Arm with 15404 and two each 462AL, 624AL, 15405, 42253 and 42487 for 81-11 Machine.....
*42485	-----	Arm with 15404 and two each 462AL, 624AL, 15405, 42253 and 42487 for 81-7 Machine.....
42487	23066	Needle Bar Crank Shaft Bushing for 42484 and 42485 (2).....
44209	-----	Tension (needle Thread) Screw Stud 916C with 1560C.....
50117AL	23066	Looper (left hand) Set Screw for 132870.....
50562C	23066	Looper (left hand) Lever Connecting Link Hinge Screw for 42384 (2)..
54967	23059	Frame Rotary Shaft Flanged Bushing (back) Oil Pad (braided cotton) for 42026.....
56864	23057	Chain Hook (large) for 6439.....
56865	23057	Chain Hook (small) for 6439.....
66707	23072	Machine Base Machine Cushion Screw Washer for 42086 (4).....
120341	23043	Tweezers (curved) (accessories)....
120344	23043	Oiler (copper plated) with 120345 (accessories).....
120345	23043	Oiler Spout, 4 1/2 in. long, for 120344.....
120440	23043	Screw Driver, 7 1/4 in. blade (accessories).....
132560	23061	Frame Side Cover (left) with 132701 for 81-7 Machine.....
132631	23067	Spreader, for 81-11 Machine.....
132638	23062	Frame Side Cover (left) with 132701 for 81-11 Machine.....
132701	23061	Frame Side Cover (left) Handle for 132560 and 132638.....
132767	23065	Knife (stationary) Holder for 81-7 Machine.....
132870	23066	Looper (left hand) Lever with 50117AL for 42318.....
132926	23065	Knife (movable) Holder for 132927...
132927	-----	Knife (movable) Holder 132926 with 133F, 42040, 42306, 132928 and two 220E, for 81-7 Machine.....
132928	23065	Knife (movable) Holder Cap for 132927.....
132936	23059	Looper (right hand) and Spreader Lever Connection 42386 with 171AL and 42077, for 81-7 Machine.....
140219C	23057	Rock Shaft Stop Dog Set Screw for 2770 (2).....

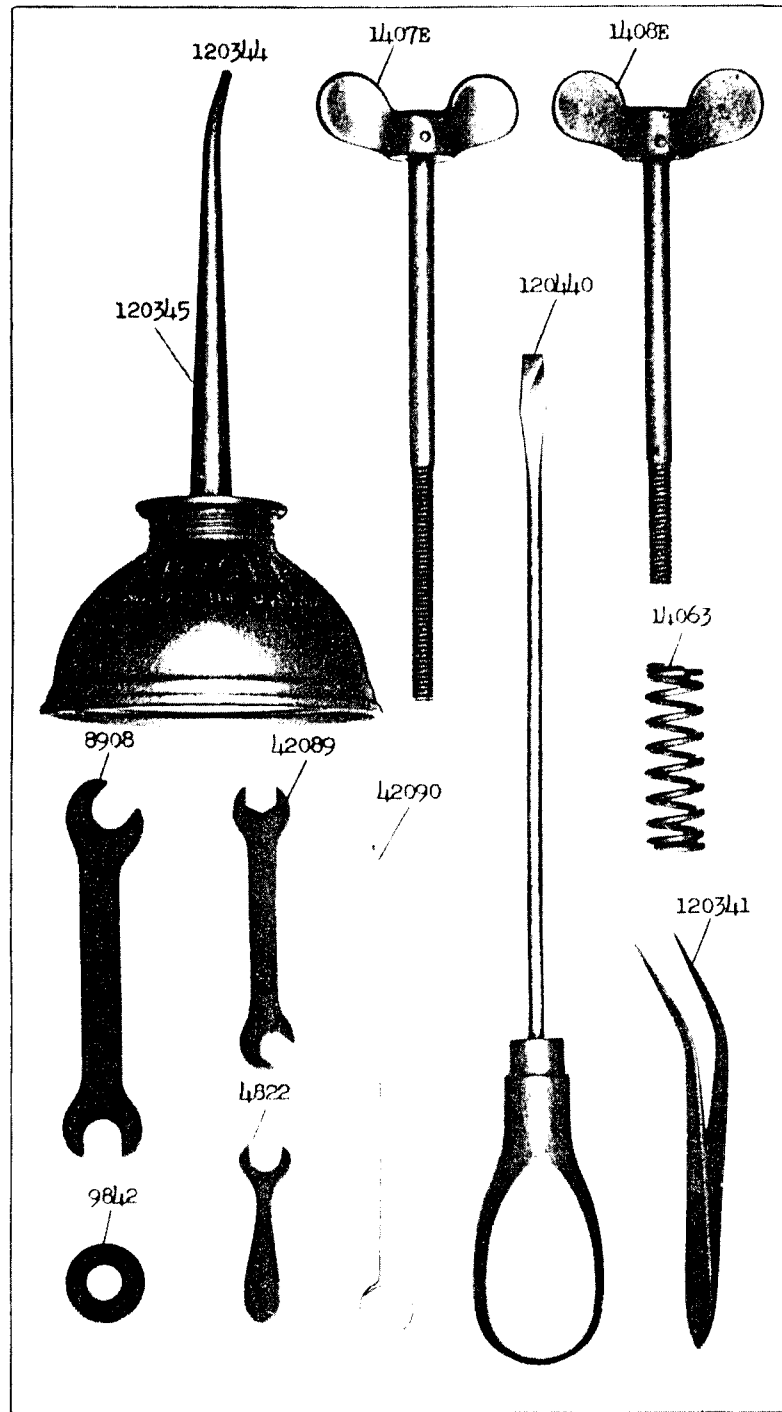
No.	Plate	Name
150203	23071	Thread Unwinder Spool Rest Cushion (felt) for 259143 (3).....
150209	23072	Knife Grinder Knife Holder 41330 with 970D, 41331, 41332 and two each 313C, 771D, 1519J, 41333 and 41334 for 41335.....
200383C	23071	Thread Unwinder Spool Rest Rod Set Screw for 259658.....
201018C	23071	Thread Unwinder Spool Rest Set Screw for 225257 and 225259 (2).....
201696J	23071	Thread Unwinder Thread Guide Lock Nut for 259143.....
225257	23071	Thread Unwinder Spool Rest (for two spools) with 201018C for 259143..
225259	23071	Thread Unwinder Spool Rest (for one spool) with 201018C for 259143..
225322	23071	Thread Unwinder Thread Guide Rod Screw Washer for 225324.....
225324	23071	Thread Unwinder Thread Guide Rod with 208AL and 225322 for 259143
225326	23071	Thread Unwinder Thread Guide Position Cup for 259143.....
225388	23071	Thread Unwinder Spool Rest Rod for 259143.....
225390	-----	Thread Unwinder Thread Cone Holder for inverted cones, for use with 259143.....
	Note:	No. 225390 is used with but not included in 259143.
225391	23071	Thread Unwinder Thread Guide for 259143 (3).....
259143	23071	Thread Unwinder complete, for three spools or three large cones of thread, Nos. 201696J, 225257, 225259, 225324, 225326, 225388, 259658, three each 150203, 225391 and wood screws 7/8 in. No. 12.....
259658	23071	Thread Unwinder Spool Stand with 200383C for 259143.....

SINGER Needles should be used
in SINGER Machines.
These Needles and their Containers
are marked with the
Company's Trade-Mark "SIMANCO.**" 1

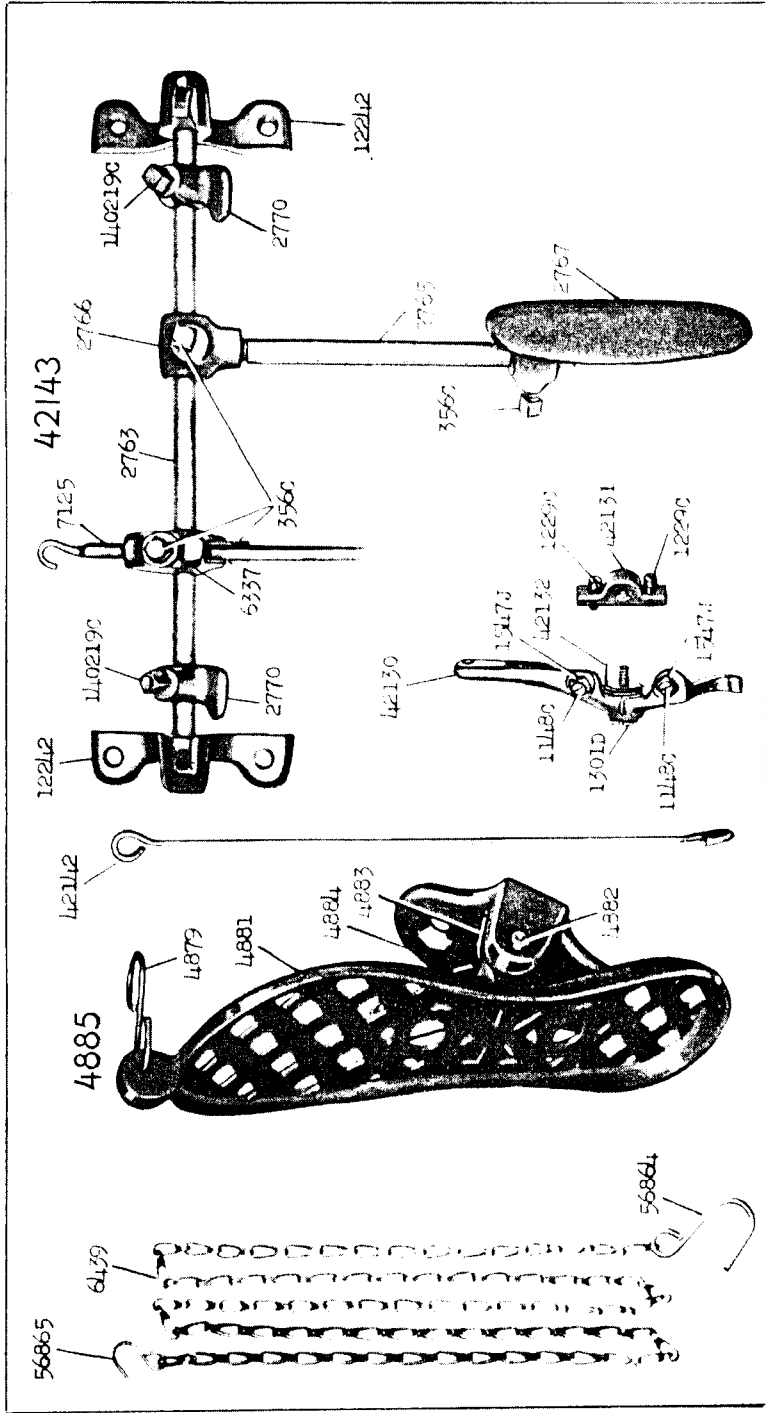
Needles in Containers marked
"FOR SINGER MACHINES"
are NOT **SINGER** made needles. 2

ILLUSTRATIONS OF PARTS

23043 - 1/2

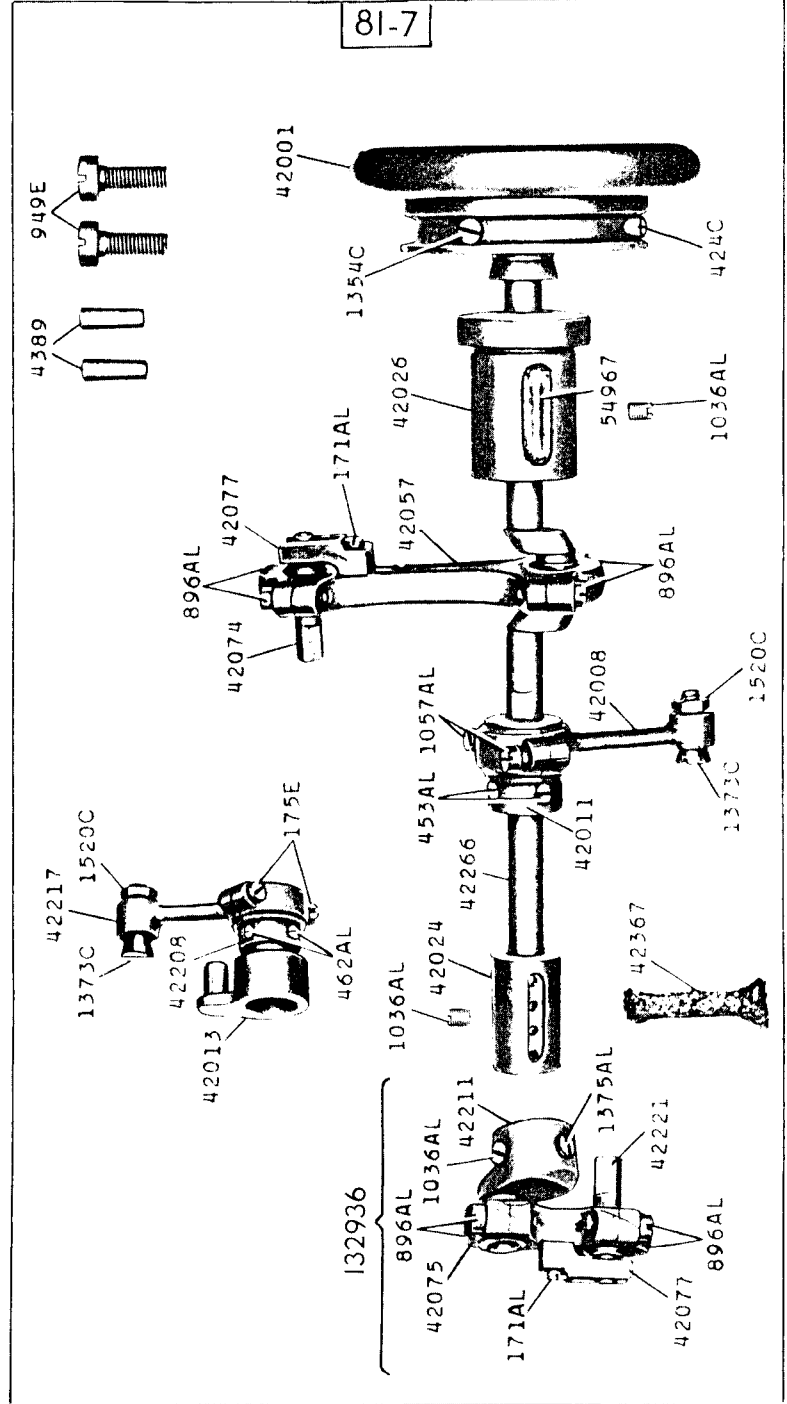


23057 - 1/3



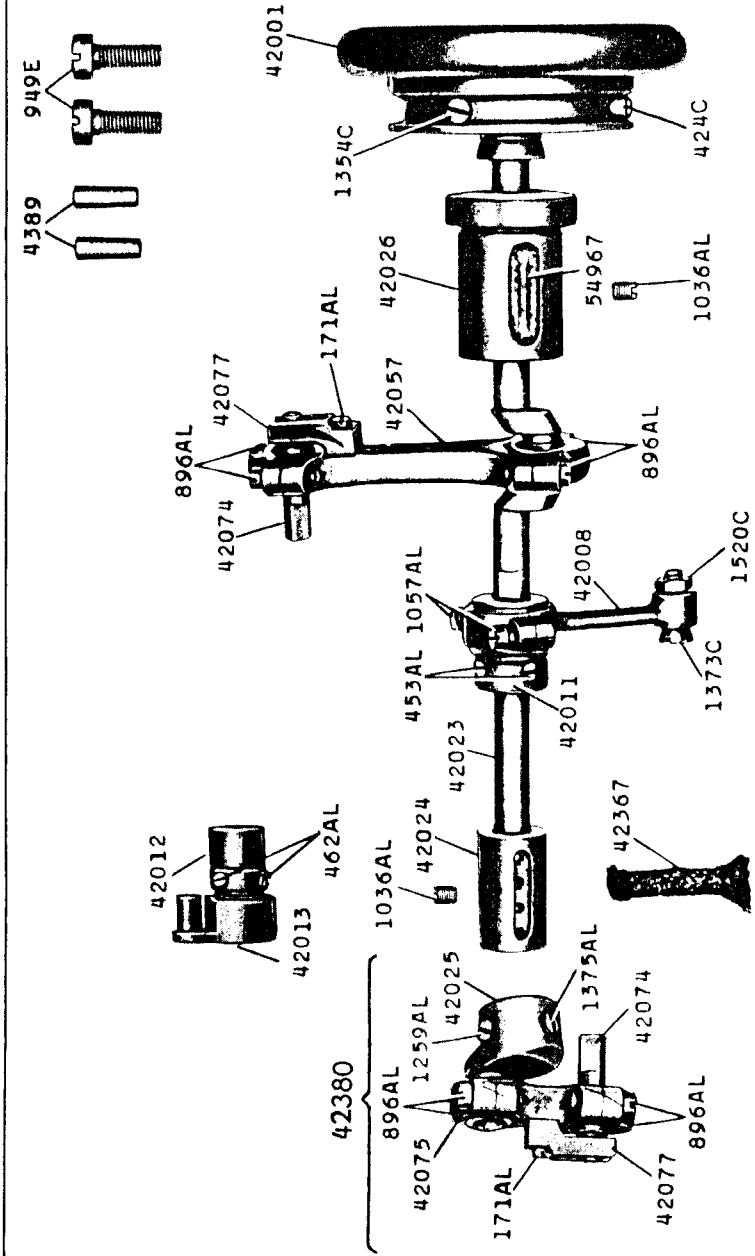
23059 - 1/2

81-7



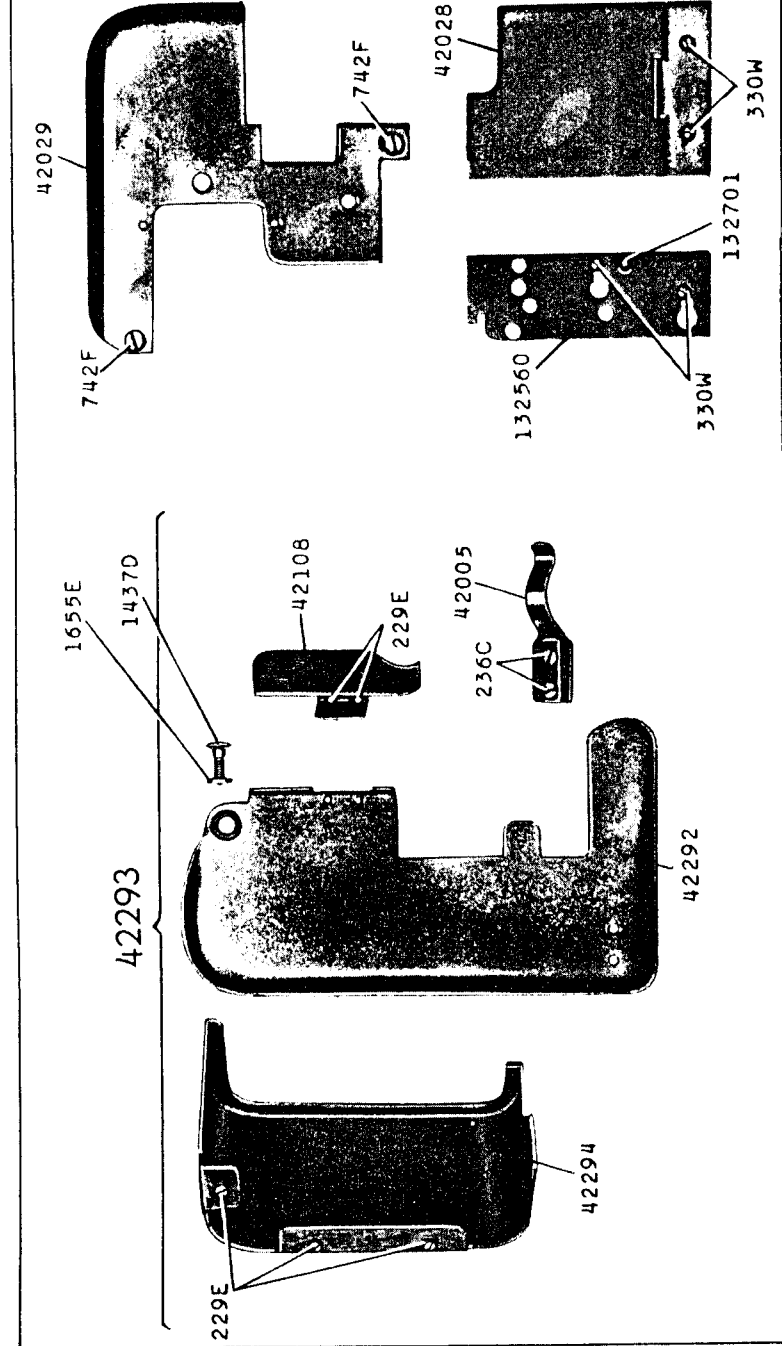
23060 - 1/2

81-11



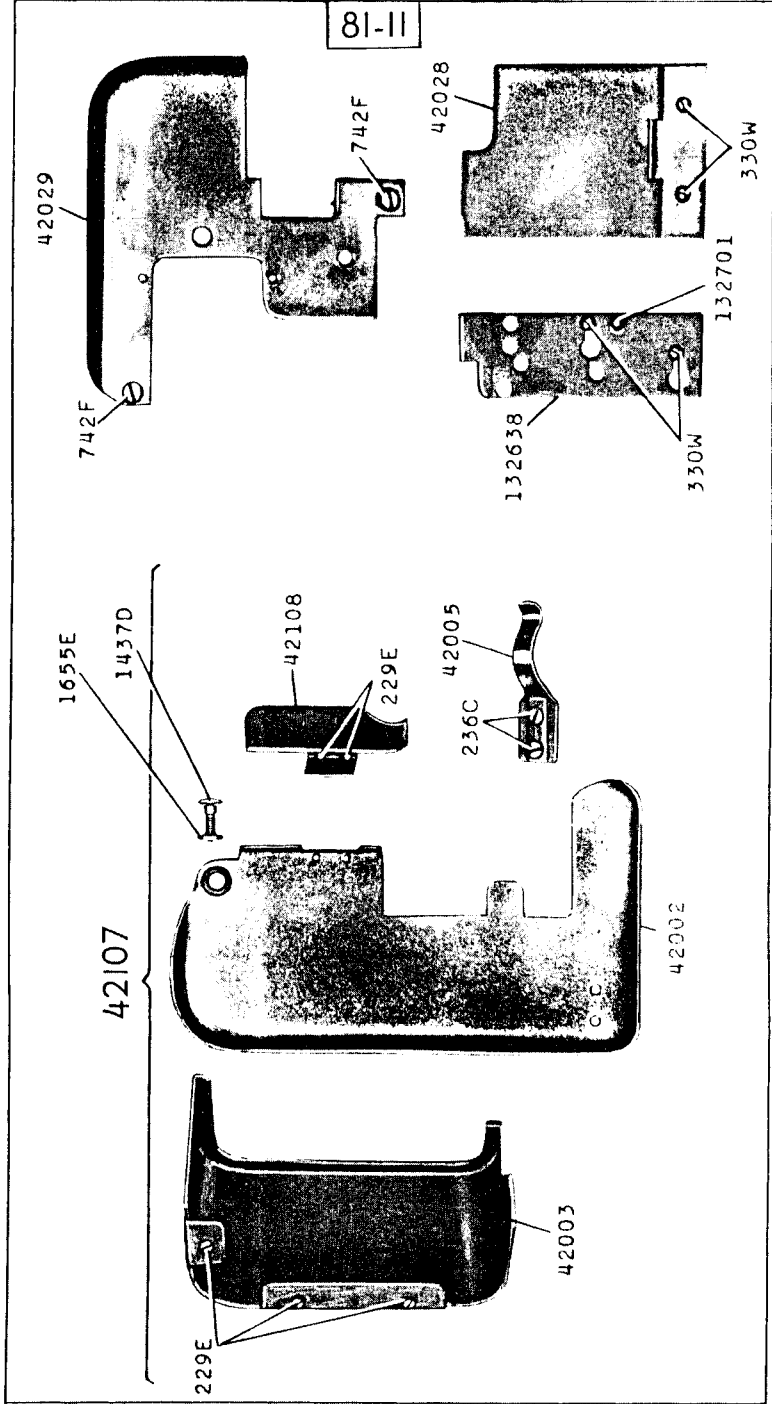
23061 - 1/3

81-7



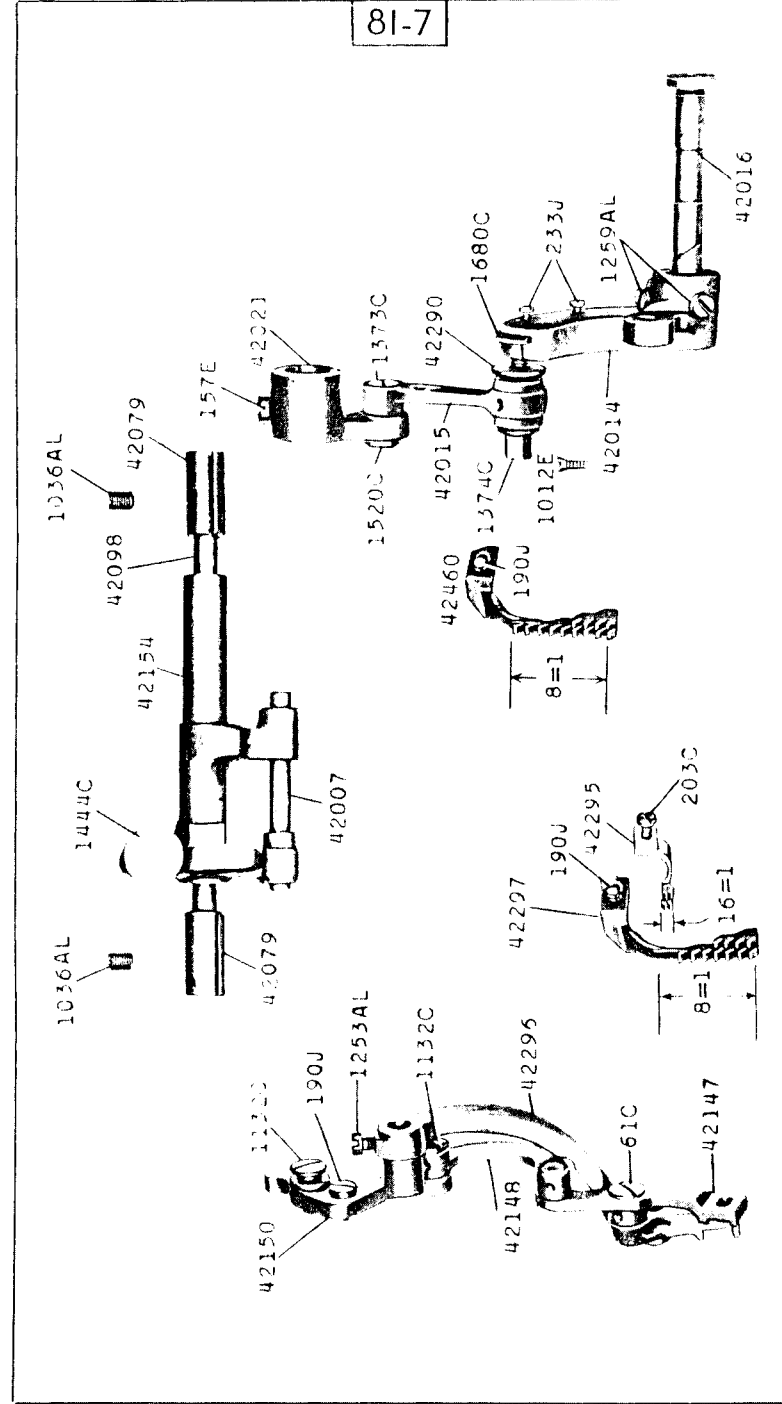
23062 - 1/3

81-II



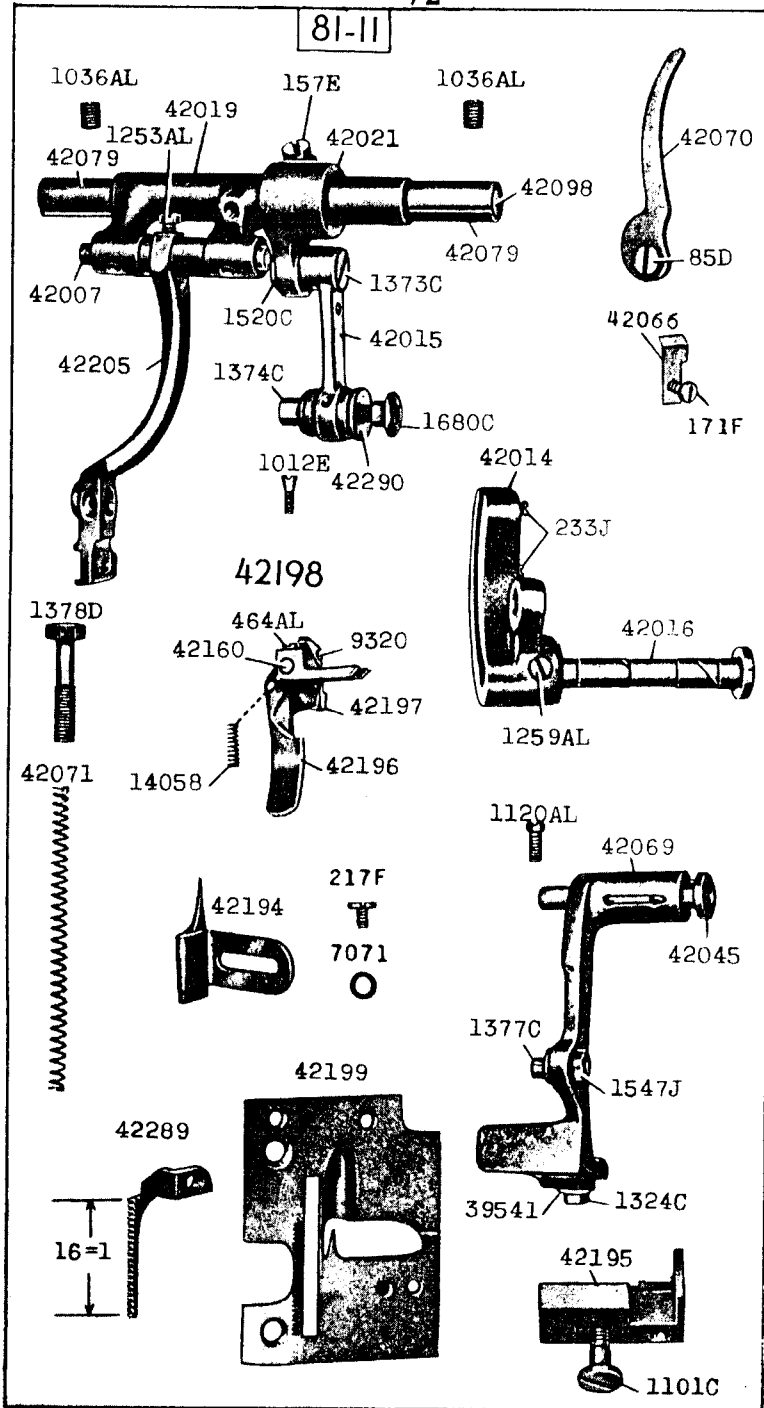
23063 - 1/2

81-7



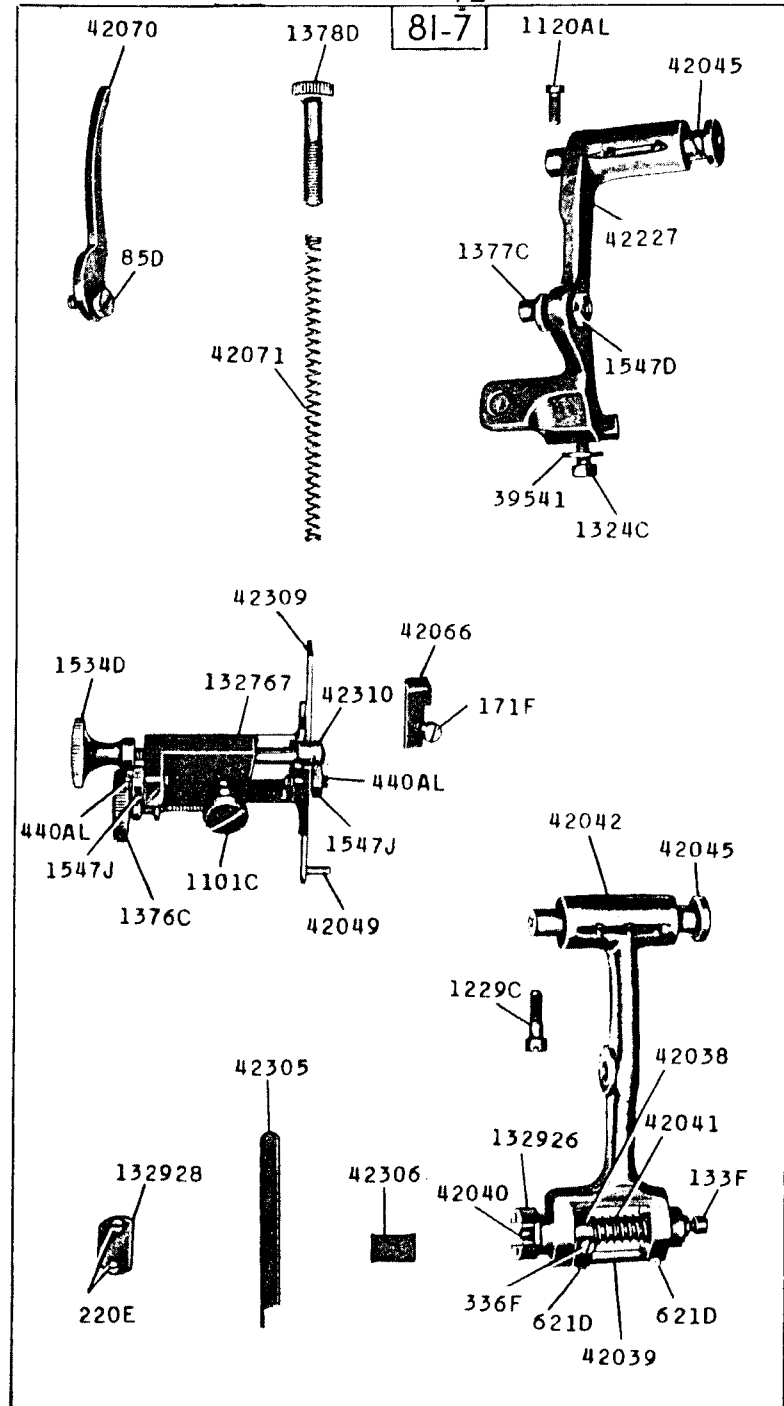
23064 - 1/2

81-11



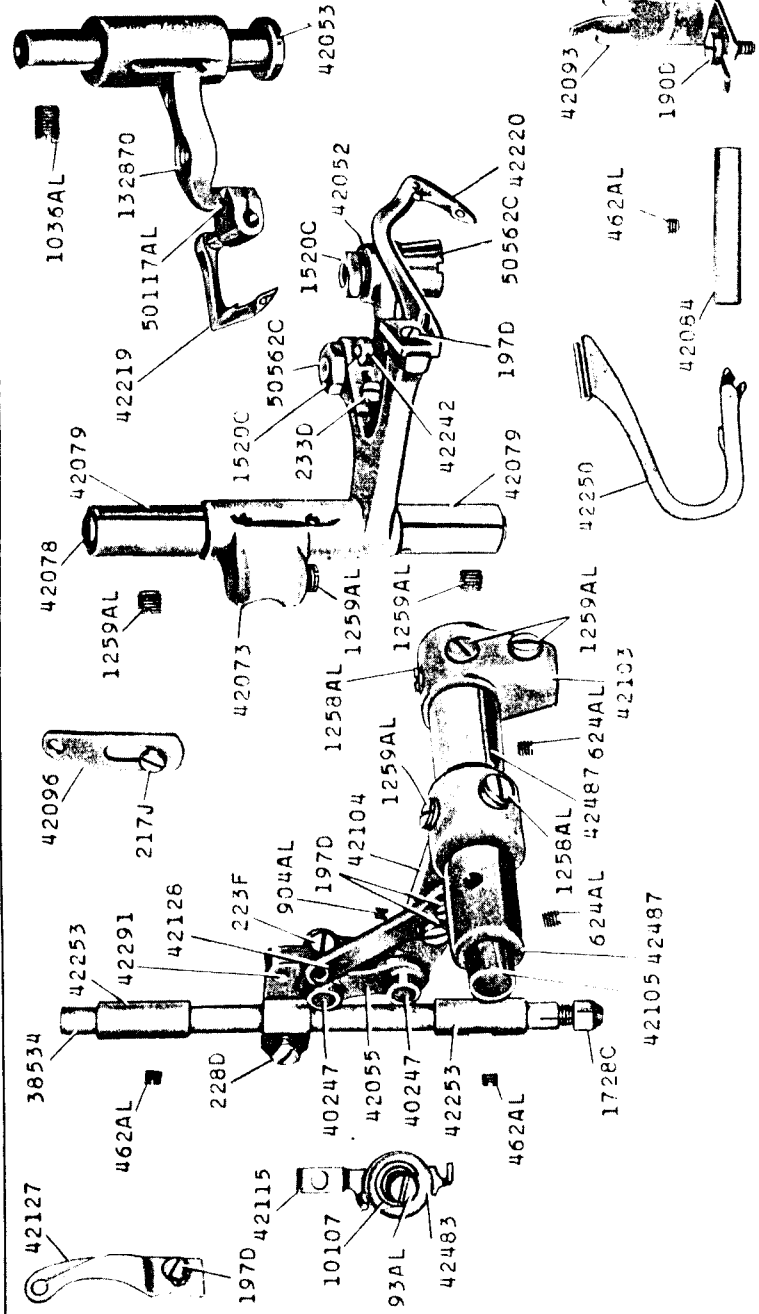
23065 - 1/2

81-7



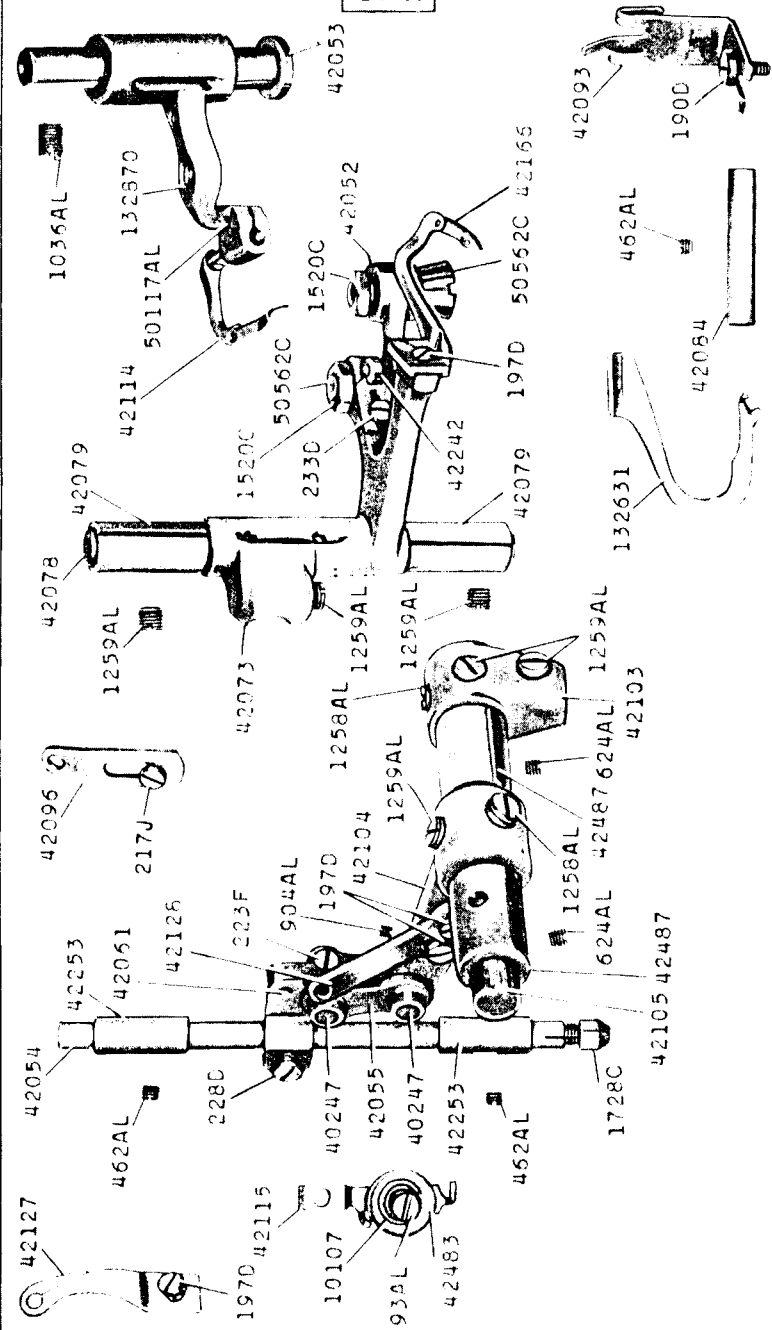
23066 - 2/3

81-7



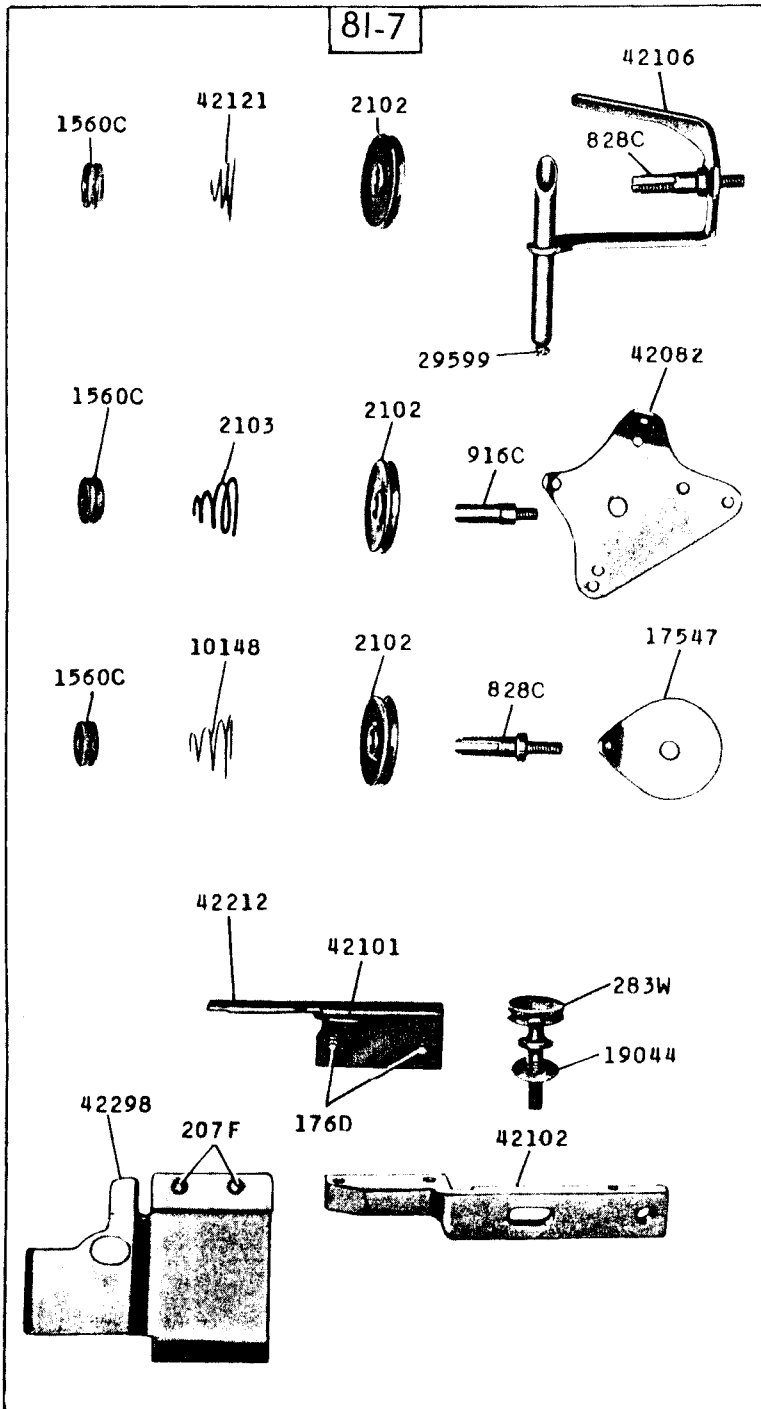
23067 - 2/3

81-II



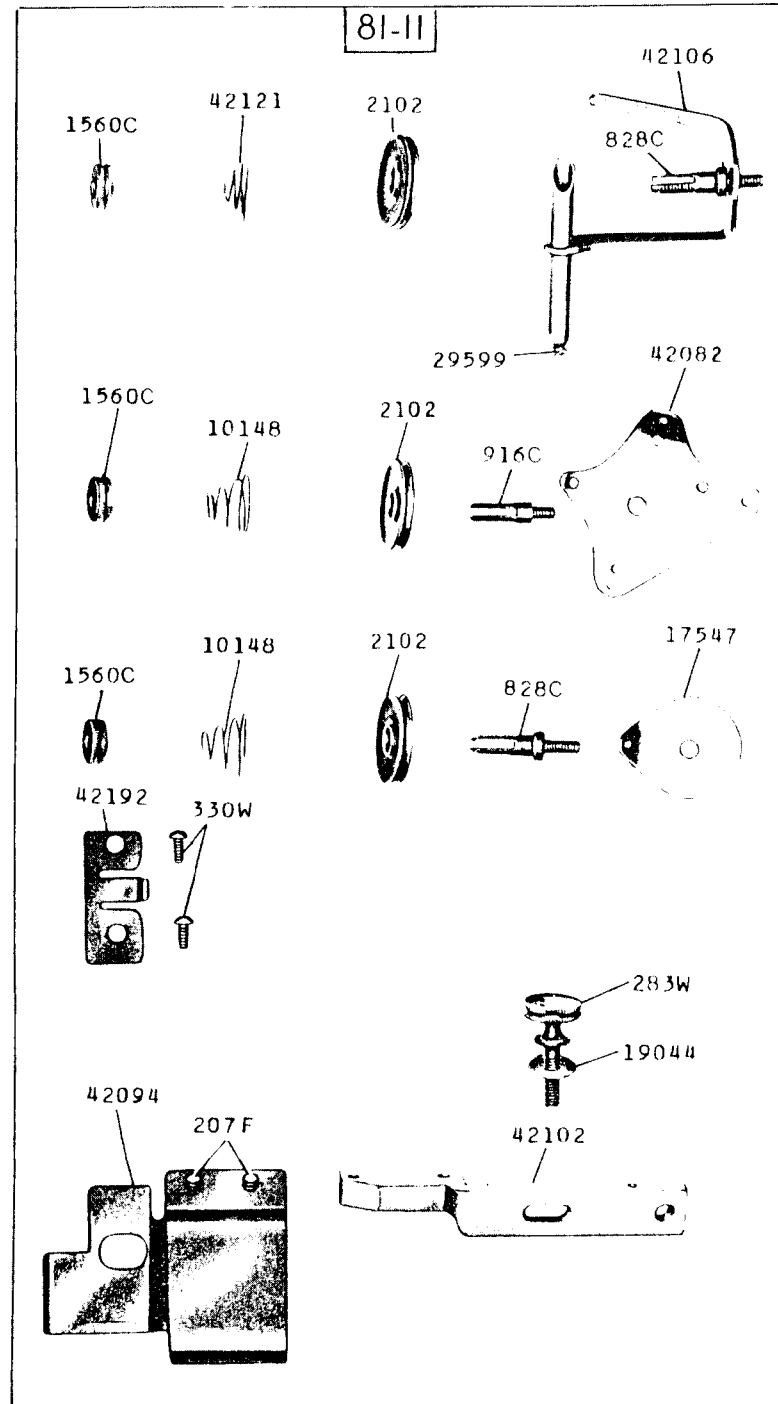
23068 - 1/2

81-7



23069 - 1/2

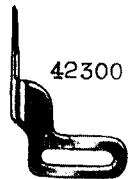
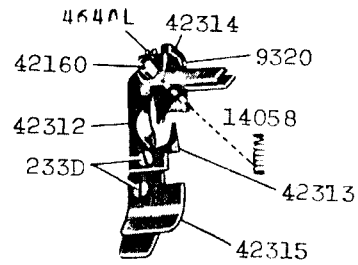
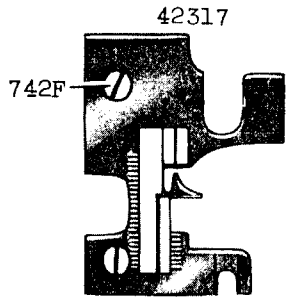
81-11



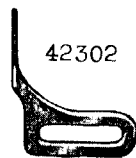
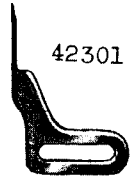
23070 - 1/2

81-7

42316



42303



1209C



38635



42304



193F



7071

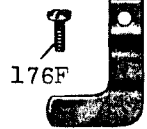
42124



42126



42123



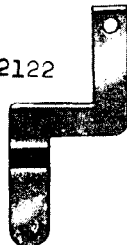
42125



233D

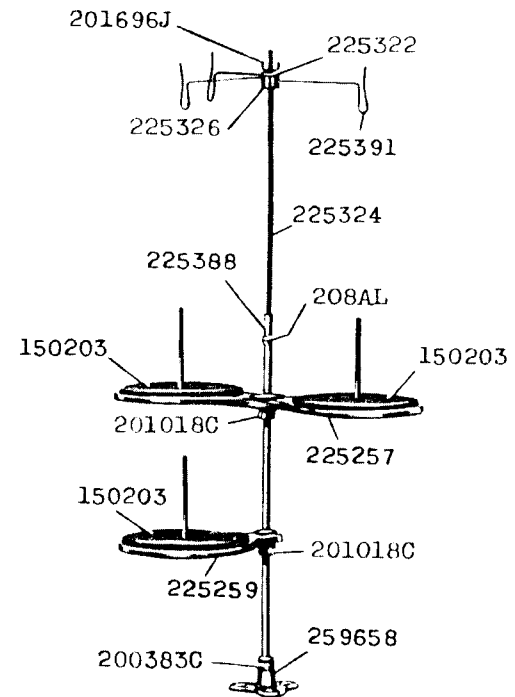


42122



23071 - 1/6

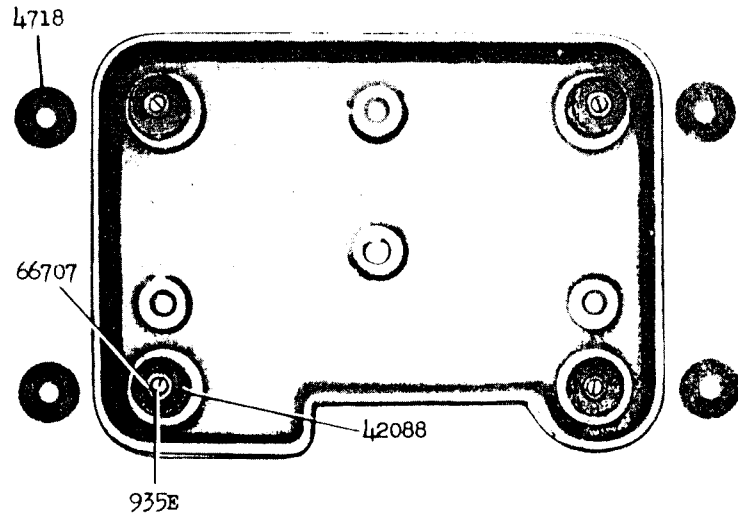
259143



23072 - 1/3

81-7

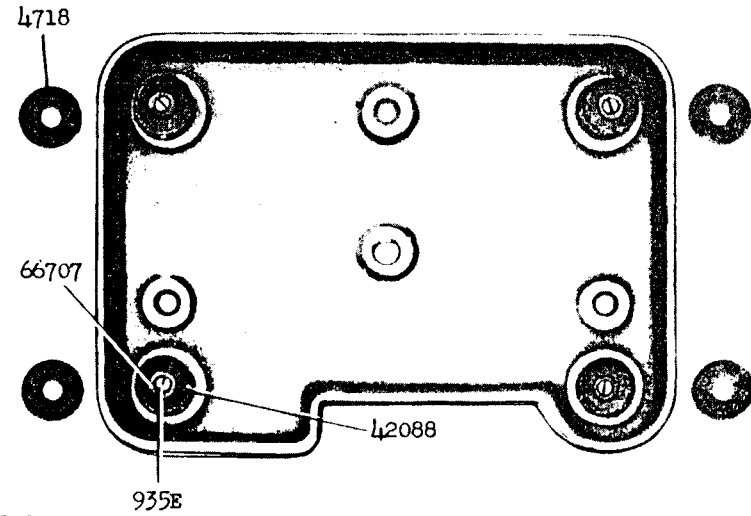
42086



23073 - 1/3

81-11

42086



41335

