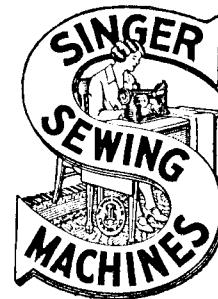


Form 8445 Revised
April, 1930
PRINTED IN U. S. A.

LIST
OF
PARTS



MACHINES
Nos. 81-1 and 81-8

THE SINGER MANUFACTURING COMPANY

COPYRIGHT, U. S. A., 1916, 1918, 1922, 1923 and 1926
BY THE SINGER MANUFACTURING COMPANY
ALL RIGHTS RESERVED FOR ALL COUNTRIES

INDEX

	PAGE
ACCESSORIES.....	21
FOOT LIFTER PARTS.....	22
KNIFE GRINDER.....	23
KNEE LIFTER PARTS.....	22
MACHINE BASE.....	24
" No. 81-1.....	7
" " 81-S.....	14
NUMERICAL LIST OF PARTS.....	25
OBSOLETE PARTS.....	24
THREAD UNWINDER.....	24

INSTRUCTIONS FOR ORDERING

In ordering from this list, use **ONLY** the part NUMBER in the **FIRST** column.

The number stamped on a Sewing Machine part is in every case the number of the single part only.

Every combination of parts sent out as such has its specific number, which, although not stamped on the parts, must be used when ordering the combination.

Each number always indicates the **SAME PART** in whatever list it appears, or for whatever machine.

The letters after some of the numbers indicate the style of finish only, as follows:

- A—Hardened, Polished, Nickel Plated and Buffed
- B—Polished, Nickel Plated and Buffed
- C—Hardened Only
- D—Polished Only
- E—Soft, Not Polished
- F—Hardened and Polished
- H—Blued
- J—Nickel Plated Only
- K—Hardened and Nickel Plated
- L—Brass Plated
- M—Oxidized
- N—Japanned, Dull
- P—Japanned, Bright
- R—Merlized
- T—Copper Plated
- T. A.—Hardened, Polished, Copper and Nickel Plated and Buffed
- T. B.—Copper and Nickel Plated and Polished
- T. J.—Copper and Nickel Plated Only
- T. K.—Hardened, Copper and Nickel Plated
- T. M.—Copper Plated and Oxidized
- T. L.—Copper and Brass Plated
- U—Zinc Plated
- V—Silver Plated
- W—Polished and Nickel Plated
- Z—Chromium Plated
- Z. B.—Polished, Nickel Plated, Buffed and Chromium Plated
- Z. J.—Nickel and Chromium Plated

These letters **MUST BE USED** when they appear in the list; and **AFTER** the number **as** in the list.

In this series:

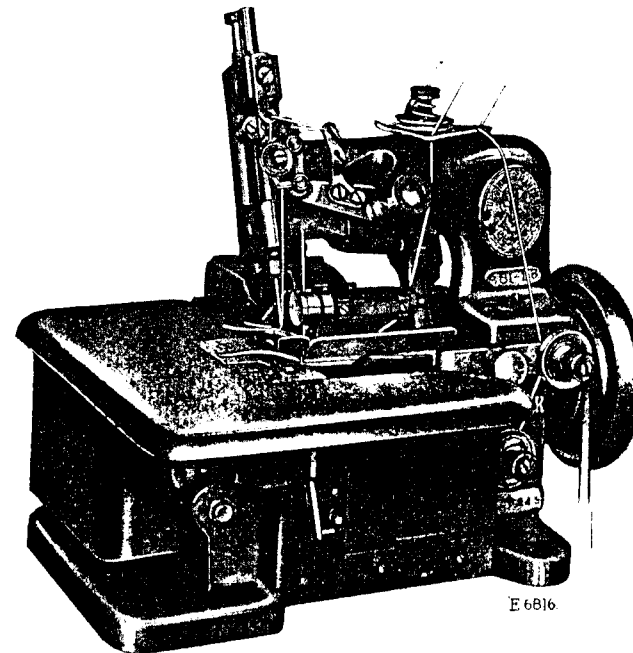
- 1 to 1500 and 50001 to 51500 are Screw Numbers
- 1501 to 1800 and 51501 to 51800 are Nut Numbers
- 1801 to 2000 and 51801 to 52000 are Roller Numbers
- 2001 to 50000 and 52001 and upward are numbers of Machine Parts

The figures in the second column refer only to the plates, illustrating the parts, and are **NOT TO BE USED** in ordering.

Parts marked with an asterisk (*) are furnished only when repairs are made at factory.

LIST OF PARTS COMPLETE

FOR



E 6816

MACHINE No. 81-1

FOR TRIMMING, SCALLOPING AND OVEREDGING LACE CURTAINS AND OTHER WOVEN FABRICS, ETC., AT THE SAME TIME LAYING ONE OR MORE CORDS UNDER THE OVER-EDGE STITCHES IF DESIRED. THREE THREAD STITCH.

NO.	PLATE	NAME
*42484	-----	Arm with two each 462c, 624c, 42253 and 42487.....
4389	5543	Arm Dowel Pin.....
	949E 5562	" Screw.....
42001	5576	Balance Wheel, 2 3/4 in. pulley, with 424c and 1354c.....
	1354c 5562	Balance Wheel Position Screw.....
	424c 5562	" " Set Screw.....
42002	5526	Cloth Plate.....

NO.	PLATE	NAME
42003	5526	Cloth Plate Extension (lower).....
229E	5562	“ “ “ “ Screw.....
42108	5526	“ “ “ (upper).....
229E	5562	“ “ “ “ Screw.....
42005	5526	“ “ Lock Spring.....
236C	5562	“ “ “ “ Screw.....
42107	---	Cloth Plate complete, Nos. 42002, 42003, 42005, 42108, two 236c and five 229E..
1437D	5562	Cloth Plate Hinge Screw.....
1655E	5562	“ “ “ “ Nut.....
42006	5529	Feed Bar with 1253c.....
42007	5529	“ “ Hinge Pin.....
1253C	5529	“ “ “ “ Set Screw.....
42008	5529	“ Connecting Rod with 42009 and two -1057E.....
*42009	---	Feed Connecting Rod Cap.....
1057E	5529	“ “ “ “ Screw.....
1373C	5529	“ “ “ Hinge Screw.....
1520C	5529	“ “ “ “ “ Nut..
42010	5541	“ Dog, 17 teeth (16 teeth to the inch)
190D	5556	“ “ Screw.....
42011	5529	“ Eccentric with two 453c.....
42094	5526	“ “ Cover.....
207D	5529	“ “ “ Screw.....
453C	5529	“ “ Set Screw.....
42012	5529	“ Lifting Eccentric with two 462c....
42013	5529	“ “ “ Connection.....
462C	5529	“ “ “ Set Screw.....
1374C	5530	“ Regulating Screw Stud.....
1680C	5530	“ “ “ “ Nut.....
42290	5530	“ “ “ “ Washer.....
42014	5530	“ Regulator with 233D and two 1259c
42015	5529	“ “ Connection with 1012E..
1012E	5529	“ “ “ Adjusting Screw
1373C	5529	“ “ “ Hinge Screw....
1520C	5529	“ “ “ “ “ Nut
42016	5530	“ “ Hinge Stud.....
42017	5529	“ “ Indicator.....
42018	5530	“ “ “ Plate.....
337D	5530	“ “ “ “ Screw....
207D	5529	“ “ “ “ Screw.....
1259C	5530	“ “ Set Screw.....
233D	5530	“ “ Stop Screw.....
42019	5530	“ Rock Shaft.....
42020	---	Feed Rock Shaft complete, Nos. 42019 and 42021.....
42021	5530	Feed Rock Shaft Crank with 157E.....

NO.	PLATE	NAME
157E	5530	Feed Rock Shaft Crank Clamping Screw
42008	5530	“ “ “ Hinge Pin.....
42079	5530	“ “ “ “ “ Bushing.....
1036C	5530	“ “ “ “ “ “ Set Screw.....
*42022	---	Frame.....
42023	5576	“ Rotary Shaft.....
42024	5576	“ “ “ Bushing (front).....
1036C	5530	“ “ “ “ “ “ Set Screw.....
42025	5553	Frame Rotary Shaft Crank with 1259c and 1375c.....
1375C	5553	Frame Rotary Shaft Crank Position Screw
1259C	5553	“ “ “ “ Set Screw.....
42026	5576	“ “ “ Flanged Bushing (back) with 54967.....
54967	5591	Frame Rotary Shaft Flanged Bushing (back) Oil Pad (braided cotton).....
1036C	5530	Frame Rotary Shaft Flanged Bushing (back) Set Screw.....
42367	5591	Frame Rotary Shaft Front Bearing Oil Pad (braided cotton).....
42027	5589	Frame Side Cover (left) with 19045
19045	5543	“ “ “ “ Handle.....
330W	5562	“ “ “ “ Screw.....
42028	5526	“ “ “ (right) hinged.....
42101	5543	“ “ “ “ Lock Spring..
330W	5562	“ “ “ “ Screw.....
42029	5576	“ Top Cover.....
42030	5543	“ “ “ Extension.....
42031	5543	“ “ “ “ Cord Guide.
337D	5543	“ “ “ “ “ “ Screw.....
42102	5543	Frame Top Cover Extension Holder....
283W	5543	“ “ “ “ “ “ Thumb Screw.....
2749	5543	Frame Top Cover Extension Holder Thumb Screw Washer.....
176D	5543	Frame Top Cover Extension Screw.....
742E	5562	“ “ “ “ Screw.....
42033	5542	Knife (movable).....
NOTE: Two No. 42033 are sent with this machine.		
42034	5542	Knife (movable) Gib.....
42035	5542	“ “ “ Holder.....
42036	---	“ “ “ “ 42035 with 133E, 42034, 42037, 42040 and two 404b.....

NO.	PLATE	NAME
42037	5542	Knife (movable) Holder Cap.....
404D	5542	“ “ “ “ Screw.....
42038	5542	“ “ “ “ Guide with 336F.....
42039	5542	“ “ “ “ Plate.....
621D	5542	“ “ “ “ “ Screw.....
336F	5542	“ “ “ “ Set Screw.....
133F	5542	“ “ “ “ Screw.....
42040	5542	“ “ “ “ “ Extension Pin.....
42041	5542	Knife (movable) Holder Spring.....
42042	5542	“ “ “ “ Lever.....
42043	5542	“ “ “ “ Connection with 42044 and two 175E.....
*42044	—	Knife (movable) Lever Connection Cap.....
175E	5542	“ “ “ “ “ “ Screw.....
1373c	5542	Knife (movable) Lever Connection Hinge Screw.....
1520c	5542	Knife (movable) Lever Connection Hinge Screw Nut.....
42045	5542	Knife (movable) Lever Hinge Stud.....
1229c	5542	“ “ “ “ “ “ S e t Screw.....
42046	5543	Knife (stationary) with 42049.....
NOTE: Two 42046 are sent with this machine.		
42048	5543	Knife (stationary) Clamping Stud.....
1534w	5543	“ “ “ “ “ Thumb Nut.....
42047	5543	Knife (stationary) Holder.....
1376c	5543	“ “ “ “ “ Regulating Thumb Screw.....
1101c	5543	Knife (stationary) Holder Screw.....
440F	5543	“ “ “ “ Stop Screw.....
1547J	5543	“ “ “ “ “ Nut.....
42049	5543	“ “ “ “ Stud.....
42050	5553	Looper (left hand).....
42051	5553	“ “ “ “ Lever with 209H.....
42052	5553	“ “ “ “ “ Connecting Link.....
50562c	7396	“ “ “ “ “ “ “ Hinge Screw.....
1520c	5553	Looper (left hand) Lever Connecting Link Hinge Screw Nut.....
42053	5553	Looper (left hand) Lever Hinge Stud.....
1036c	5553	“ “ “ “ “ “ “ Set Screw.....
209H	5553	Looper (left hand) Set Screw.....

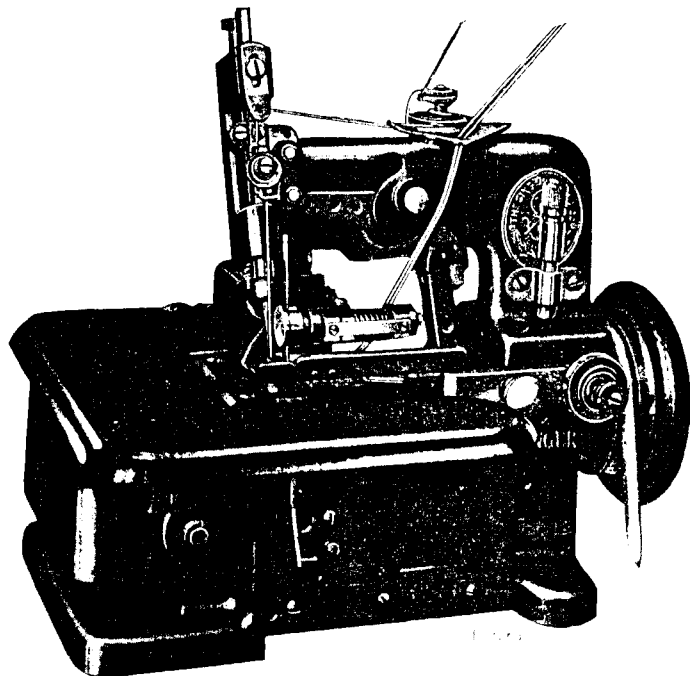
NO.	PLATE	NAME
42166	5553	Looper (right hand).....
42073	5553	“ “ “ “ and Spreader Lever with 1259c.....
42074	5553	Looper (right hand) and Spreader Lever Ball Stud.....
1259c	5553	Looper (right hand) and Spreader Lever Ball Stud Set Screw.....
42075	5553	Looper (right hand) and Spreader Lever Connection with 42059, 42076 and four 896E.....
*42076	—	Looper (right hand) and Spreader Lever Connection Cap (lower).....
896E	7396	Looper (right hand) and Spreader Lever Connection Cap (lower) Screw.....
*42059	—	Looper (right hand) and Spreader Lever Connection Cap (upper).....
896E	7396	Looper (right hand) and Spreader Lever Connection Cap (upper) Screw.....
42077	5584	Looper (right hand) and Spreader Lever Connection Guide.....
171F	5544	Looper (right hand) and Spreader Lever Connection Guide Screw.....
42106	5584	Looper (right hand) and Spreader Lever Connection Oil Tube and Bracket with 29599.....
29599	5584	Looper (right hand) and Spreader Lever Connection Oil Tube Packing (felt).....
42078	5584	Looper (right hand) and Spreader Lever Hinge Pin.....
42079	5530	Looper (right hand) and Spreader Lever Hinge Pin Bushing.....
1259c	5553	Looper (right hand) and Spreader Lever Hinge Pin Bushing Set Screw.....
197D	5553	Looper (right hand) Screw.....
42054	5544	Needle Bar.....
42253	5544	“ “ Bushing.....
462c	5544	“ “ “ “ Set Screw.....
42061	5544	“ “ Connecting Bracket with 187D and 223E.....
187D	5544	Needle Bar Connecting Bracket Clamping Screw.....
42055	5544	Needle Bar Connecting Link.....
40247	5544	“ “ “ “ “ Hinge Pin.....
223F	5544	“ “ “ “ “ “ “ Set Screw for 42061.....
904c	5544	Needle Bar Connecting Link Hinge Pin Set Screw for 42104.....

NO.	PLATE	NAME
42057	5544	Needle Bar Connecting Rod with 42059, 42076 and four 896E.....
42076	—	Needle Bar Connecting Rod Cap (lower)
896E	7396	“ “ “ “ “ “ Screw.....
*42059	—	Needle Bar Connecting Rod Cap (upper)
896E	7396	“ “ “ “ “ “ Screw.....
42077	5584	Needle Bar Connecting Rod Guide.....
171F	5544	“ “ “ “ “ “ Screw
42103	5544	“ “ Crank (back) with 1258c and two 1259c.....
42074	5553	Needle Bar Crank (back) Ball Stud.....
1259c	5553	“ “ “ “ “ “ Set Screw.....
1259c	5553	Needle Bar Crank (back) Position Screw.
1258c	5544	“ “ “ “ Set Screw.....
42104	5544	“ “ “ (front with 904c, 1258c and 1259c.....
1259c	5553	Needle Bar Crank (front) Position Screw
1258c	5544	“ “ “ “ Set Screw.....
42105	5544	“ “ “ Shaft.....
42487	7396	“ “ “ “ Bushing.....
624c	7396	“ “ “ “ Set Screw
42115	5544	“ “ Thread Retainer Bracket.....
228b	5544	“ “ “ “ “ Screw
42483	7396	“ “ “ “ Disc.....
93c	5544	“ “ “ “ Screw.....
10107	5544	“ “ “ “ Spring.....
1728c	5544	“ Clamping Nut.....
42066	5544	“ Guard.....
171F	5544	“ “ Screw.....
42067	5541	Presser Foot with 233b and 42068.....
42068	5541	“ “ Chaining-off Finger.....
233b	5553	“ “ “ “ Screw..
1324c	5591	“ “ Screw.....
39541	5586	“ “ “ Washer.....
42069	5576	“ Lever.....
42045	5542	“ “ Hinge Stud.....
1120c	5591	“ “ “ “ Set Screw.....
42070	5584	“ “ Lifter.....
85b	5584	“ “ “ Hinge Screw.....
1377c	5584	“ “ Screw Stud (eccentric).....
1547j	5584	“ “ “ “ Nut.....
42071	5584	“ “ Spring.....
1378b	5584	Pressure Regulating Thumb Screw.....
42072	5584	Spreader.....

NO.	PLATE	NAME
197D	5556	Spreader Screw.....
2102	5556	Tension (cord) Disc.....
1560c	5556	“ “ Regulating Thumb Nut..
637c	5556	“ “ Screw Stud.....
33929	—	“ “ “ “ 637c with 1560c
10148	5556	“ “ Spring.....
2102	5556	“ (looper, left hand) Disc.....
1560c	5556	“ “ “ “ Regulating Thumb Nut.....
828c	5556	Tension (looper, left hand) Screw Stud
42418	—	“ “ “ “ “ “ 828c with 1560c.....
10148	5556	Tension (looper, left hand) Spring.....
2102	5556	“ (looper, right hand) Disc.....
1560c	5556	“ “ “ “ Regulating Thumb Nut.....
828c	5556	Tension (looper, right hand) Screw Stud
42418	—	“ “ “ “ “ “ 828c with 1560c.....
10148	5556	Tension (looper, right hand) Spring.....
17547	5556	“ “ “ “ Thread Guide
2102	5556	“ (needle thread) Disc.....
1560c	5556	“ “ “ Regulating Thumb Nut.....
916c	5556	Tension (needle thread) Screw Stud.....
44209	5556	“ “ “ “ “ “ 916c with 1560c.....
10148	5556	Tension (needle thread) Spring.....
42082	5556	“ “ “ Thread Guide...
42242	7396	Thread (looper, left hand) Eyelet.....
233b	5553	“ “ “ “ “ Screw..
42084	5556	“ “ “ “ “ Tube.....
462c	5556	“ “ “ “ “ Set Screw
42093	5556	“ (looper, right hand) Staple.....
190b	5556	“ “ “ “ “ Screw
42127	5556	“ “ “ “ Take-up.....
197D	5556	“ “ “ “ “ Screw
42096	5556	“ (needle) Eyelet.....
217D	5556	“ “ “ Screw.....
42097	5556	“ “ Take-up.....
197D	5556	“ “ “ Screw.....
42085	5541	Throat Plate for 42010.....
742F	5562	“ “ Screw.....

LIST OF PARTS COMPLETE

FOR



MACHINE No. 81-8

FOR TRIMMING, SCALLOPING AND OVEREDGING LACE CURTAINS AND OTHER WOVEN FABRICS, ETC., AT THE SAME TIME LAYING ONE OR MORE CORDS UNDER THE OVEREDGE STITCHES IF DESIRED. THE MACHINE IS FITTED WITH A DOUBLE FEED DOG. THE HEIGHT OF THE BACK FEED DOG CAN BE ADJUSTED BY A HAND LEVER AT THE BACK OF THE MACHINE TO ACCOMMODATE DIFFERENT THICKNESSES OF CORDS. ALSO FITTED WITH OIL TUBES FOR CARRYING OIL TO THE FRONT AND BACK BEARINGS. TWO THREAD STITCH.

NO.	PLATE	NAME
*42486	—	Arm with two each 462c, 624c, 42253 and 42487.....
4389	5543	Arm Dowel Pin.....

NO.	PLATE	NAME
949E	5562	Arm Screw.....
42001	5576	Balance Wheel 2 $\frac{3}{8}$ in. pulley with 424c and 1351c.....
1354c	5562	Balance Wheel Position Screw.....
424c	5562	" " Set Screw.....
42361	5589	Cloth Plate.....
42363	5589	" " Extension (lower).....
229E	5562	" " " " Screw.....
42108	5526	" " " (upper).....
229E	5562	" " " " Screw.....
42005	5526	" " Lock Spring.....
236c	5562	" " " " Screw.....
42362	—	Cloth Plate complete, Nos. 42005, 42108, 42361, 42363, two 236c and five 229E..
1437D	5562	Cloth Plate Hinge Screw.....
1655E	5562	" " " " Nut.....
42031	5543	Cord Guide.....
42030	5543	" " Holder.....
176D	5543	" " " Screw.....
337D	5543	" " " Screw.....
42341	5590	Feed (back) Adjusting Lever with 967D and 42342.....
967D	5590	Feed (back) Adjusting Lever Clamping Screw.....
42342	5590	Feed (back) Adjusting Lever Stud.....
42340	5590	" " Bar.....
61c	5590	" " " Hinge Screw.....
42343	5541	" " Dog, 3 teeth (16 teeth to the inch).....
203D	5591	Feed (back) Dog Screw.....
42151	5590	" (front) Bar with 1253c.....
42007	5529	" " " Hinge Pin.....
1253c	5529	" " " " " Set Screw...
42344	5541	" " Dog, 17 teeth (16 teeth to the inch).....
190D	5556	Feed (front) Dog Screw.....
42008	5529	" Connecting Rod with 42009 and two 1057E.....
*42009	—	Feed Connecting Rod Cap.....
1057E	5529	" " " " Screw.....
1373c	5529	" " " Hinge Screw.....
1520c	5529	" " " " " Nut..
42011	5529	" Eccentric with two 453c.....
42153	5589	" " Cover.....
42102	5543	" " " Holder.....
283W	5543	" " " " Thumb Screw

NO.	PLATE	NAME
2749	5543	Feed Eccentric Cover Holder Thumb Screw Washer.....
207D	5529	Feed Eccentric Cover Screw.....
453C	5529	" " Set Screw.....
42345	5590	" Lifting Eccentric with two 462c....
42013	5529	" " " Connection.....
462C	5529	" " " Set Screw.....
1374C	5530	" Regulating Screw Stud.....
1680C	5530	" " " " Nut.....
42290	5530	" " " " Washer....
42014	5530	" Regulator with 233D and two 1259C
42015	5529	" " Connection with 1012E..
1012E	5529	" " " Adjusting Screw.....
1373C	5529	Feed Regulator Connection Hinge Screw
1520C	5529	" " " " " Nut.....
42016	5530	Feed Regulator Hinge Stud.....
1259C	5530	" " Set Screw.....
233D	5530	" " Stop Screw.....
42019	5530	" Rock Shaft.....
42020	—	Feed Rock Shaft complete, Nos. 42019 and 42021.....
42021	5530	Feed Rock Shaft Crank with 157E.....
157E	5530	" " " " Clamping Screw
42098	5530	" " " Hinge Pin.....
42079	5530	" " " " Bushing....
1036C	5530	" " " " " " Set Screw.....
*42346	—	Frame.....
42023	5576	" Rotary Shaft.....
42024	5576	" " " Bushing (front)....
1036C	5530	" " " " " " S e t Screw.....
42025	5553	Frame Rotary Shaft Crank with 1259C and 1375C.....
1375C	5553	Frame Rotary Shaft Crank Position Screw
1259C	5553	" " " " Set Screw....
42026	5576	" " " Flanged Bushing (back) with 51967.....
54967	5591	Frame Rotary Shaft Flanged Bushing (back) Oil Pad (braided cotton).....
1036C	5530	Frame Rotary Shaft Flanged Bushing (back) Set Screw.....
42367	5591	Frame Rotary Shaft Front Bearing Oil Pad (braided cotton).....
42027	5589	Frame Side Cover (left) with 19045.....

NO.	PLATE	NAME
19045	5543	Frame Side Cover (left) Handle.....
330W	5562	" " " " Screw.....
42028	5526	" " " (right) hinged.....
42101	5543	" " " " Lock Spring ..
330W	5562	" " " " Screw.....
42033	5542	Knife (movable).....
NOTE: Two No. 42033 are sent with this machine.		
42034	5542	Knife (movable) Gib.....
42035	5542	" " Holder.....
42036	—	" " " 42035 with 133E, 42034, 42037, 42040, and two 404D....
42037	5542	Knife (movable) Holder Cap.....
404D	5542	" " " " Screw.....
42038	5542	" " " Guide with 336F
42039	5542	" " " " Plate....
621D	5542	" " " " " Screw
336F	5542	" " " " Set Screw
133F	5542	" " " Screw.....
42040	5542	" " " " Extension Pin.....
42041	5542	Knife (movable) Holder Spring.....
42042	5542	" " Lever.....
42043	5542	" " " Connection with 42044 and two 175E.....
*42044	—	Knife (movable) Lever Connection Cup
175E	5542	" " " " " Screw.....
1373C	5542	Knife (movable) Lever Connection Hinge Screw.....
1520C	5542	Knife (movable) Lever Connection Hinge Screw Nut.....
42045	5542	Knife (movable) Lever Hinge Stud.....
1229C	5542	" " " " " S e t Screw.....
42046	5543	Knife (stationary) with 42019.....
NOTE: Two No. 42046 are sent with this machine.		
42048	5543	Knife (stationary) Clamping Stud.....
1534W	5543	" " " " Thumb Nut.....
42047	5543	Knife (stationary) Holder.....
1376C	5543	" " " Regulating Thumb Screw.....
1101C	5543	Knife (stationary) Holder Screw.....
440F	5543	" " " Stop Screw....
1547J	5543	" " " " " Nut

NO.	PLATE	NAME
42049	5543	Knife (stationary) Stud.....
42050	5553	Looper (left hand).....
42051	5553	“ “ “ Lever with 209H.....
42052	5553	“ “ “ “ Connecting Link
50562c	7396	“ “ “ “ “ “
		Hinge Screw.....
1520c	5553	Looper (left hand) Lever Connecting Link
		Hinge Screw Nut.....
42053	5553	Looper (left hand) Lever Hinge Stud....
1036c	5553	“ “ “ “ “ “ Set
		Screw.....
209H	5553	Looper (left hand) Set Screw.....
42166	5553	“ (right hand).....
42073	5553	“ “ “ and Spreader Lever
		with 1259c.....
42074	5553	Looper (right hand) and Spreader Lever
		Ball Stud.....
1259c	5553	Looper (right hand) and Spreader Lever
		Ball Stud Set Screw.....
42075	5553	Looper (right hand) and Spreader Lever
		Connection with 42059, 42076 and four
		896E.....
*42076	—	Looper (right hand) and Spreader Lever
		Connection Cap (lower).....
896E	7396	Looper (right hand) and Spreader Lever
		Connection Cap (lower) Screw.....
*42059	—	Looper (right hand) and Spreader Lever
		Connection Cap (upper).....
896E	7396	Looper (right hand) and Spreader Lever
		Connection Cap (upper) Screw.....
42077	5584	Looper (right hand) and Spreader Lever
		Connection Guide.....
171F	5544	Looper (right hand) and Spreader Lever
		Connection Guide Screw.....
42106	5584	Looper (right hand) and Spreader Lever
		Connection Oil Tube and Bracket with
		29599.....
29599	5584	Looper (right hand) and Spreader Lever
		Connection Oil Tube Packing (felt)....
42078	5584	Looper (right hand) and Spreader Lever
		Hinge Pin.....
42079	5530	Looper (right hand) and Spreader Lever
		Hinge Pin Bushing.....
1259c	5553	Looper (right hand) and Spreader Lever
		Hinge Pin Bushing Set Screw.....
197D	5553	Looper (right hand) Screw.....

NO.	PLATE	NAME
42054	5544	Needle Bar.....
42253	5544	“ “ Bushing.....
462c	5544	“ “ “ Set Screw.....
42061	5544	“ “ Connecting Bracket with 187D
		and 223F.....
187D	5544	Needle Bar Connecting Bracket Clamping
		Screw.....
42055	5544	Needle Bar Connecting Link.....
40247	5544	“ “ “ “ Hinge Pin....
223F	5544	“ “ “ “ “ “ Set
		Screw for 42061.....
904c	5544	Needle Bar Connecting Link Hinge Pin
		Set Screw for 42104.....
42347	5590	Needle Bar Connecting Rod with 42059,
		42076 and four 896E.....
*42076	—	Needle Bar Connecting Rod Cap (lower)
		“ “ “ “ “ “
896E	7396	Screw.....
*42059	—	Needle Bar Connecting Rod Cap (upper)
		“ “ “ “ “ “
896E	7396	Screw.....
42077	5584	Needle Bar Connecting Rod Guide.....
171F	5544	“ “ “ “ “ “ Screw
42103	5544	“ “ Crank (back) with 1258c and
		two 1259c.....
42074	5553	Needle Bar Crank (back) Ball Stud.....
1259c	5553	“ “ “ “ “ “ Set
		Screw.....
1259c	5553	Needle Bar Crank (back) Position Screw.
1258c	5544	“ “ “ “ “ Set Screw....
42104	5544	“ “ “ (front) with 904c, 1258c
		and 1259c.....
1259c	5553	Needle Bar Crank (front) Position Screw
1258c	5544	“ “ “ “ “ Set Screw.....
42105	5544	“ “ “ Shaft.....
42487	7396	“ “ “ “ Bushing.....
624c	7396	“ “ “ “ “ Set Screw
42115	5544	“ “ Thread Retainer Bracket....
228D	5544	“ “ “ “ “ Screw
42348	5591	“ “ “ “ Disc (inside)
10106	5544	“ “ “ “ “ (outside)
42349	5591	“ “ “ “ “ “
		10106 with 42350.....
42350	—	Needle Bar Thread Retainer Disc (outside)
		Bushing.....
93c	5544	Needle Bar Thread Retainer Screw.....
10107	5544	“ “ “ “ Spring.....

NO.	PLATE	NAME
1728c	5544	Needle Clamping Nut.....
42066	5544	" Guard.....
171F	5544	" " Screw.....
42351	5591	Oil Pipe with 42353 and 42354, for oiling back bearing.....
42352	5591	Oil Pipe with 42353 and 42354, for oiling front bearing.....
42353	5591	Oil Pipe Coupling.....
42354	5591	" " Oil Cup.....
42355	5591	" " Strap for 42351.....
42356	5591	" " " " 42352.....
207D	5529	" " " Screw for 42355.....
742F	5562	" " " " " 42356.....
42357	5541	Presser Foot with 220b, 233b, 42068 and 42358.....
42068	5541	Presser Foot Chaining-off Finger.....
233D	5553	" " " " " Screw..
1324c	5591	" " " Screw.....
39541	5586	" " " Washer.....
220b	5541	" " " Stop Screw.....
42358	5541	" " " " Stud.....
42069	5576	" Lever.....
42045	5542	" " Hinge Stud.....
1120c	5591	" " " " Set Screw.....
42070	5584	" " Lifter.....
85D	5584	" " " Hinge Screw.....
1377c	5584	" " " Screw Stud (eccentric).....
1547J	5584	" " " " Nut.....
42071	5584	" " " Spring.....
1378D	5584	Presser Regulating Thumb Screw.....
42359	5591	Spreader.....
197D	5556	" " Screw.....
2102	5556	Tension (cord) Disc.....
1560c	5556	" " " Regulating Thumb Nut..
637c	5556	" " " Screw Stud.....
33929	—	" " " " 637c with 1560c
10148	5556	" " " Spring.....
2102	5556	" (looper, left hand) Disc.....
1560c	5556	" " " " " Regulating Thumb Nut.....
828c	5556	Tension (looper, left hand) Screw Stud
42418	—	" " " " " " " "
		828c with 1560c.....
10148	5556	Tension (looper, left hand) Spring.....
2102	5556	" (looper, right hand) Disc.....
1560c	5556	" " " " " Regulating Thumb Nut.....

NO.	PLATE	NAME
828c	5556	Tension (looper, right hand) Screw Stud
42418	—	" " " " " " " "
		828c with 1560c.....
10148	5556	Tension (looper, right hand) Spring.....
17517	5556	" " " " " Thread Guide
2102	5556	" (needle thread) Disc.....
1560c	5556	" " " " " Regulating Thumb Nut.....
916c	5556	Tension (needle thread) Screw Stud.....
44209	—	" " " " " " " 916c with 1560c.....
10148	5556	Tension (needle thread) Spring.....
42082	5556	" " " " " Thread Guide..
42242	7396	Thread (looper, left hand) Eyelet.....
233D	5553	" " " " " " " Screw..
42124	5590	" " " " " " Pull-off.....
42125	5590	" " " " " " Eyelet
233D	5553	" " " " " " " Screw
42084	5556	" " " " " " Tube.....
462c	5556	" " " " " " " Set Screw
42093	5556	" " " right hand) Staple.....
190D	5556	" " " " " " " Screw..
42127	5556	" " " " " " Take-up.....
197D	5556	" " " " " " " Screw..
42096	5556	" (needle) Eyelet.....
217D	5556	" " " " " " " Screw.....
42360	5541	Throat Plate for 42343 and 42344.....
742F	5562	" " " " " " " Screw.....

ACCESSORIES

NO.	PLATE	NAME
1407E	5563	Machine Base Thumb Screw for 3 in. table
1408E	5563	" " " " " " 2 in. table
14063	5586	" " " " " " Spring.....
9842	5586	" " " " " " Washer
120344	5566	Oiler (copper plated) with 120345.....
120345	5566	" Spout, 5 in. long.....
120440	5566	Screw Driver.....
42090	5566	Threading Wire.....
120341	5566	Tweezers (curved).....
42089	5566	Wrench for 1324, 1374 and 1629.....
8908	5566	" " 1520 and 1655.....
4822	5566	" " 1547.....

FOOT LIFTER PARTS

NO.	PLATE	NAME
6439	---	Chain, 36 in. to 45 in., with 56864 and 56865.....
NOTE: When ordering No. 6439 state length required.		
4879	5566	Chain Connecting Link.....
56864	5566	" Hook (large).....
56865	7396	" " (small).....
42130	5586	Lifting Lever.....
42131	5586	" " Bracket.....
1229c	5586	" " " Screw.....
1301d	5586	" " Hinge Screw.....
42132	5586	" " Spring.....
1148f	5586	" " Stop Screw.....
1547j	5543	" " " " Nut.....
4881	5564	Treadle.....
4882	5566	" Shaft.....
4883	5566	" Spring.....
4884	5564	" Stand.....
4885	5564	Treadle complete Nos. 4879, 4881 to 4884 and two wood screws 1 in. No. 16.....
42133	---	Foot Lifter complete, Nos. 1301d, 4885, 6439, 42130 to 42132 and two each 1148f, 1229c and 1547j.....

KNEE LIFTER PARTS

NO.	PLATE	NAME
42130	5586	Lifting Lever.....
42131	5586	" " Bracket.....
1229c	5586	" " " Screw.....
42142	5564	" " Connecting Rod.....
1301d	5586	" " Hinge Screw.....
42132	5586	" " Spring.....
1148f	5586	" " Stop Screw.....
1547j	5543	" " " " Nut.....
2763	5564	Rock Shaft.....
12242	5564	" " Hanger with two wood screws 1 in. No. 10.....
2765	5564	Rock Shaft Knee Arm.....
2766	5564	" " " " Hub with 356c...
356c	5562	" " " " " Set Screw...
2768	---	Rock Shaft Knee Arm complete, Nos. 2765 to 2767.....

KNEE LIFTER PARTS

NO.	PLATE	NAME
2767	5564	Rock Shaft Knee Plate with 356c.....
356c	5562	" " " " Set Screw.....
6337	5564	" " Lifting Bracket with two 356c
7125	5564	" " " " Hook.....
356c	5562	" " " " " Set Screw
356c	5562	" " " " " Set Screw....
2770	5564	" " Stop Dog with 356c.....
356c	5562	" " " " " Set Screw.....
42143	5564	Rock Shaft complete, Nos. 2763, 2768, 6337, 7125 and two each 2770 and 12242
42144	---	Knee Lifter complete, Nos. 1301d, 42130 to 42132, 42142, 42143 and two each 1148f, 1229c and 1547j.....

KNIFE GRINDER

NO.	PLATE	NAME
41326	5568	Emery Wheel.....
1508c	5569	" " Clamping Nut.....
41327	5568	" " Shaft.....
41328	5568	" " " Pulley with 1036c...
1036c	5569	" " " " Set Screw....
41513	5569	" " Washer.....
41329	5567	Frame with 1036c.....
878d	5569	" Oil Hole Stop Screw.....
41330	5568	Knife Holder with two 14222.....
41331	5568	" " Bracket with 157E.....
157E	5569	" " " Clamping Screw...
42065	5569	" " " Hinge Stud.....
1036c	5569	" " " " " Set Screw
717c	5569	" " " " Stop Screw.....
1520j	5569	" " " " " Nut...
41333	5569	" " Clamp.....
41334	5569	" " " Spring.....
14222	5569	" " " Steady Pin.....
771d	5569	" " " Thumb Screw.....
970b	5569	" " Regulating Thumb Screw..
313c	5569	" " Screw Centre.....
1519j	5569	" " " " Nut.....
41332	5569	" " Spring.....
41335	---	Knife Grinder complete, Nos. 717c, 970b, 1508c, 1520j, 41326 to 41332, 42065, two each 313c, 771d, 878d, 1519j, 41333, 41334, 41513 and three wood screws 1¼ in. No. 12.....

MACHINE BASE

NO.	PLATE	NAME
42086	5564	Machine Base with three wood screws 1 1/4 in. No. 12 and four each 935e, 4718, 42088 and 66707
4718	5586	Machine Base Cushion (felt)
42088	5586	" Cushion (felt)
935e	5586	" " Screw
66707	7396	" " " Washer

THREAD UNWINDER

FOR THREE SPOOLS

NO.	PLATE	NAME
225389	7165	Spool Rest (for one spool) with 201018c
225395	7165	" " (for two spools) with 201018c
225388	7165	" " Rod
200383c	7396	" " " Set Screw
201018c	7396	" " Set Screw
202490	7165	" Stand with 200383c
225391	7165	Thread Guide
201696j	7396	" " Lock Nut
225392	7165	" " Rod with 208e and 225393
208e	5562	" " " Screw
225393	7396	" " " Washer
225397	7165	Thread Unwinder complete, Nos. 201696j, 202490, 225388, 225389, 225392, 225395, three 225391 and wood screws 7/8 in. No. 12
27739	7234	Thread Cone (wood) for large cones
225390	7234	" " Holder, for inverted cones

NOTE: Nos. 27739 and 225390 are used with, but not included in 225397.

OBSOLETE PARTS

NO.	PLATE	NAME
*42251	---	Arm with two each 462c and 42253, for S1-1 Machine
*42339	---	Arm with two each 462c and 42253, for S1-8 Machine
42100	---	Cloth Plate complete for S1-1 Machine, Nos. 42002 to 42005, two 236c and five 229e
42004	5589	Cloth Plate Extension (upper)
1372f	5562	" " Hinge Screw
1547j	5543	" " " " Nut
378c	5553	Looper (left hand) Lever Connecting Link Hinge Screw

NUMERICAL LIST OF PARTS

FOR

MACHINES

Nos. 81-1 and 81-8

NUMERICAL LIST OF PARTS

NO. PLATE	NAME
61c 5590	Feed (back) Bar Hinge Screw for S1-S Machine.....
85d 5584	Presser Lever Lifter Hinge Screw.....
93c 5544	Needle Bar Thread Retainer Screw.....
133f 5542	Knife (movable) Holder Screw for 42036
157e 5530	Feed Rock Shaft Crank Clamping Screw for 42021.....
157e 5569	Knife Grinder Knife Holder Bracket Clamping Screw for 41331.....
171f 5544	Looper (right hand) and Spreader Lever Connection Guide Screw.....
171f 5544	Needle Bar Connecting Rod Guide Screw
171f 5544	" Guard Screw.....
175e 5542	Knife (movable) Lever Connection Cap Screw for 42043.....
176d 5543	Cord Guide Holder Screw for S1-S Machine
176d 5543	Frame Top Cover Extension Screw for S1-1 Machine.....
187d 5544	Needle Bar Connecting Bracket Clamping Screw for 42061.....
190b 5556	Feed Dog Screw for S1-1 Machine.....
190b 5556	" (front) Dog Screw for S1-S Machine
190b 5556	Thread (looper, right hand) Staple Screw
197d 5553	Looper (right hand) Screw.....
197d 5556	Spreader Screw.....
197d 5556	Thread (looper, right hand) Take-up Screw
197d 5556	" (needle) Take-up Screw for S1-1 Machine.....
203d 5591	Feed (back) Dog Screw for S1-S Machine
207b 5529	" Eccentric Cover Screw.....
207d 5529	" Regulator Indicator Screw for S1-1 Machine.....
207d 5529	Oil Pipe Strap Screw for 42355.....
208e 5562	Thread Unwinder Thread Guide Rod Screw for 225392.....
209n 5553	Looper (left hand) Set Screw for 42051.....
217d 5556	Thread (needle) Eyelet Screw.....
220d 5544	Presser Foot Stop Screw for 42357.....
223f 5544	Needle Bar Connecting Link Hinge Pin Set Screw for 42061.....
228d 5544	Needle Bar Thread Retainer Bracket Screw
229e 5562	Cloth Plate Extension (lower) Screw for 42100, 42107 and 42362.....

NUMERICAL LIST OF PARTS

FOR

MACHINES

nos. 81-1 and 81-2

NO.	PLATE	NAME
229E	5562	Cloth Plate Extension (upper) Screw for 42100, 42107 and 42362.....
233D	5530	Feed Regulator Stop Screw for 42011.....
233D	5553	Presser Foot Chaining-off Finger Screw for 42067 and 42357.....
233D	5553	Thread (looper, left hand) Eyelet Screw.....
233D	5553	" " " " Pull-off Screw for 81-8 Machine.....
236C	5562	Cloth Plate Lock Spring Screw for 42100, 42107 and 42362.....
283W	5543	Feed Eccentric Cover Holder Thumb Screw for 81-8 Machine.....
283W	5543	Frame Top Cover Extension Holder Thumb Screw for 81-1 Machine.....
313C	5569	Knife Grinder Knife Holder Screw Centre for 41335.....
330W	5562	Frame Side Cover (left) Screw.....
330W	5562	" " " (right) Screw.....
336F	5542	Knife (movable) Holder Guide Set Screw for 42038.....
337D	5543	Cord Guide Screw for 81-8 Machine.....
337D	5530	Feed Regulator Indicator Plate Screw for 81-1 Machine.....
337D	5543	Frame Top Cover Extension Cord Guide Screw for 81-1 Machine.....
356C	5562	Rock Shaft Knee Arm Hub Set Screw for 2766.....
356C	5562	Rock Shaft Knee Plate Set Screw for 2767
356C	5562	" " Lifting Bracket Hook Set Screw for 6337.....
356C	5562	Rock Shaft Lifting Bracket Set Screw for 6337.....
356C	5562	Rock Shaft Stop Dog Set Screw for 2770
378C	5553	Looper (left hand) Lever Connecting Link Hinge Screw, obsolete.....
404D	5542	Knife (movable) Holder Cap Screw for 42036.....
424C	5562	Balance Wheel Set Screw for 42001.....
440F	5543	Knife (stationary) Holder Stop Screw.....
453C	5529	Feed Eccentric Set Screw for 42011.....
462C	5529	" Lifting Eccentric Set Screw for 42012 and 42345.....
462C	5544	Needle Bar Bushing Set Screw for 42484 and 42486.....
462C	5556	Thread (looper, left hand) Tube Set Screw
621D	5542	Knife (movable) Holder Guide Plate Screw

NO.	PLATE	NAME
624C	7396	Needle Bar Crank Shaft Bushing Set Screw for 42484 and 42486.....
637C	5556	Tension (cord) Screw Stud for 33929.....
717C	5569	Knife Grinder Knife Holder Bracket Stop Screw for 41335.....
742F	5562	Frame Top Cover Screw for 81-1 Machine
742F	5562	Oil Pipe Strap Screw for 42356.....
742F	5562	Throat Plate Screw.....
771D	5569	Knife Grinder Knife Holder Clamp Thumb Screw for 41335.....
828C	5556	Tension (looper, left hand) Screw Stud for 42418.....
828C	5556	Tension (looper, right hand) Screw Stud for 42418.....
878D	5569	Knife Grinder Frame Oil Hole Stop Screw for 41335.....
896E	7396	Looper (right hand) and Spreader Lever Connection Cap (lower) Screw for 42075
896E	7396	Looper (right hand) and Spreader Lever Connection Cap (upper) Screw for 42075.....
896E	7396	Needle Bar Connecting Rod Cap (lower) Screw for 42057.....
896E	7396	Needle Bar Connecting Rod Cap (upper) Screw for 42057.....
904C	5544	Needle Bar Connecting Link Hinge Pin Set Screw for 42104.....
916C	5556	Tension (needle thread) Screw Stud for 44209.....
935D	5586	Machine Cushion Screw for 42086.....
949E	5562	Arm Screw.....
967D	5590	Feed (back) Adjusting Lever Clamping Screw for 42341.....
970D	5569	Knife Grinder Knife Holder Regulating Thumb Screw for 41335.....
1012E	5529	Feed Regulator Connection Adjusting Screw for 42015.....
1036C	5530	Feed Rock Shaft Hinge Pin Bushing Set Screw.....
1036C	5530	Frame Rotary Shaft Bushing (front) Set Screw.....
1036C	5530	Frame Rotary Shaft Flanged Bushing (back) Set Screw.....
1036C	5569	Knife Grinder Emery Wheel Shaft Pulley Set Screw for 41328.....
1036C	5569	Knife Grinder Knife Holder Bracket Hinge Stud Set Screw for 41329.....

NO.	PLATE	NAME
1036C	5553	Looper (left hand) Lever Hinge Stud Set Screw.....
1057E	5529	Feed Connecting Rod Cap Screw for 42008
1101C	5543	Knife (stationary) Holder Screw.....
1120C	5591	Presser Lever Hinge Stud Set Screw.....
1148F	5586	Lifting Lever Stop Screw for 42133 and 42144.....
1229C	5542	Knife (movable) Lever Hinge Stud Set Screw.....
1229C	5586	Lifting Lever Bracket Screw for 41133 and 42144.....
1253C	5529	Feed Bar Hinge Pin Set Screw for 42006..
1253C	5529	“ (front) Bar Hinge Pin Set Screw for 42151.....
1258C	5544	Needle Bar Crank (back) Set Screw for 42103.....
1258C	5544	Needle Bar Crank (front) Set Screw for 42104.....
1259C	5530	Feed Regulator Set Screw for 42014.....
1259C	5553	Frame Rotary Shaft Crank Set Screw for 42025.....
1259C	5553	Looper (right hand) and Spreader Lever Ball Stud Set Screw for 42073.....
1259C	5553	Looper (right hand) and Spreader Lever Hinge Pin Bushing Set Screw.....
1259C	5553	Needle Bar Crank (back) Ball Stud Set Screw for 42103.....
1259C	5553	Needle Bar Crank (back) Position Screw for 42103.....
1259C	5553	Needle Bar Crank (front) Position Screw for 42104.....
1301D	5586	Lifting Lever Hinge Screw for 42133 and 42144.....
1324C	5591	Presser Foot Screw.....
1354C	5562	Balance Wheel Position Screw for 42001
1372F	5562	Cloth Plate Hinge Screw, obsolete.....
1373C	5529	Feed Connecting Rod Hinge Screw.....
1373C	5529	“ Regulator Connection Hinge Screw
1373C	5542	Knife (movable) Lever Connection Hinge Screw.....
1374C	5530	Feed Regulating Screw Stud.....
1375C	5553	Frame Rotary Shaft Crank Position Screw for 42025.....
1376C	5543	Knife (stationary) Holder Regulating Thumb Screw.....
1377C	5584	Presser Lever Screw Stud (eccentric).....
1378D	5584	Pressure Regulating Thumb Screw.....

NO.	PLATE	NAME
1407E	5563	Machine Base Thumb Screw, for 3 in. table (Accessories).....
1408E	5563	Machine Base Thumb Screw, for 2 in. table (Accessories).....
1437D	5562	Cloth Plate Hinge Screw.....
1508C	5569	Knife Grinder Emery Wheel Clamping Nut for 41335.....
1519J	5569	Knife Grinder Knife Holder Screw Centre Nut for 41335.....
1520C	5529	Feed Connecting Rod Hinge Screw Nut..
1520C	5529	“ Regulator Connection Hinge Screw Nut.....
1520J	5569	Knife Grinder Knife Holder Bracket Stop Screw Nut for 41335.....
1520C	5542	Knife (movable) Lever Connection Hinge Screw Nut.....
1520C	5553	Looper (left hand) Lever Connecting Link Hinge Screw Nut.....
1534W	5543	Knife (stationary) Clamping Stud Thumb Nut.....
1547J	5543	Cloth Plate Hinge Screw Nut, obsolete...
1547J	5543	Knife (stationary) Holder Stop Screw Nut
1547J	5543	Lifting Lever Stop Screw Nut for 42133 and 42144.....
1547J	5584	Presser Lever Screw Stud Nut.....
1560C	5556	Tension (cord) Regulating Thumb Nut for 33929.....
1560C	5556	Tension (looper, left hand) Regulating Thumb Nut for 42418.....
1560C	5556	Tension (looper, right hand) Regulating Thumb Nut for 42418.....
1560C	5556	Tension (needle thread) Regulating Thumb Nut 44209.....
1629	5544	Needle Clamping Nut, obsolete, use 1728C
1655E	5562	Cloth Plate Hinge Screw Nut.....
1680C	5530	Feed Regulating Screw Stud Nut.....
1728C	5544	Needle Clamping Nut.....
2102	5556	Tension (cord) Disc.....
2102	5556	“ (looper, left hand) Disc.....
2102	5556	“ (looper, right hand) Disc.....
2102	5556	“ (needle thread) Disc.....
2749	5543	Feed Eccentric Cover Holder Thumb Screw Washer for 81-8 Machine.....
2749	5543	Frame Top Cover Extension Holder Thumb Screw Washer for 81-1 Machine.....
2763	5564	Rock Shaft for 42143.....

NO.	PLATE	NAME
Nos. 2765 to 2767 FOR 2768		
2765	5564	Rock Shaft Knee Arm.....
2766	5564	“ “ “ “ Hub with 356c...
2767	5564	“ “ “ Plate with 356c.....
2768	—	Rock Shaft Knee Arm complete for 42143, Nos. 2765 to 2767.....
2770	5564	Rock Shaft Stop Dog with 356c for 42143
4389	5543	Arm Dowel Pin.....
4718	5586	Machine Base Cushion (felt) for 42086...
4822	5566	Wrench for 1547 (Accessories).....
4879	5566	Chain Connecting Link for 4885.....
Nos. 4881 to 4884 FOR 4885		
4881	5564	Treadle.....
4882	5566	“ Shaft.....
4883	5566	“ Spring.....
4884	5564	“ Stand.....
4885	5564	Treadle complete for 42133, Nos. 4879, 4881 to 4884 and two wood screws 1 in. No. 16.....
6337	5564	Rock Shaft Lifting Bracket with two 356c, for 42143.....
6439	—	Chain, 36 in. to 45 in., with 56864 and 56865, for 42133.....
7125	5564	Rock Shaft Lifting Bracket Hook for 42143.....
8908	5566	Wrench for 1520 and 1655 (Accessories)
9842	5586	Machine Base Thumb Screw Spring Washer (Accessories).....
42483	7396	Needle Bar Thread Retainer Disc for 81-1 Machine.....
10106	5544	Needle Bar Thread Retainer Disc (outside) for 42349.....
10107	5544	Needle Bar Thread Retainer Spring.....
10148	5556	Tension (cord) Spring.....
10148	5556	“ (looper, left hand) Spring.....
10148	5556	“ (looper, right hand) Spring.....
10148	5556	“ (needle thread) Spring.....
12242	5564	Rock Shaft Hanger with two wood screws 1 in. No. 10, for 42143.....
14063	5586	Machine Base Thumb Screw Spring (Accessories).....
14222	5569	Knife Grinder Knife Holder Clamp Steady Pin for 41330.....
17547	5556	Tension (looper, right hand) Thread Guide
19045	5543	Frame Side Cover (left) Handle for 42027

NO.	PLATE	NAME
27739	7234	Thread Unwinder Thread Cone (wood) for large cones, for 225397.....
29599	5584	Looper (right hand) and Spreader Lever Connection Oil Tube Packing (felt) for 42106.....
33929	—	Tension (cord) Screw Stud 637c with 1560c
39541	5586	Presser Foot Screw Washer.....
40247	5544	Needle Bar Connecting Link Hinge Pin...
Nos. 41326 to 41334 FOR 41335		
41326	5568	Knife Grinder Emery Wheel.....
41327	5568	“ “ “ “ Shaft.....
41328	5568	“ “ “ “ Pulley with 1036c.....
41329	5567	Knife Grinder Frame with 1036c.....
41330	5568	“ “ Knife Holder with two 14222.....
41331	5568	Knife Grinder Knife Holder Bracket with 157E.....
41332	5569	Knife Grinder Knife Holder Spring.....
41333	5569	Knife Grinder Knife Holder Clamp.....
41334	5569	“ “ “ “ Spring
41335	—	Knife Grinder complete for 42033 and 42046, Nos. 717c, 970b, 1508c, 1520b, 41326 to 41332, 42065, two each 313c, 771b, 878b, 1519r, 41333, 41334, 41513 and three wood screws 1¼ in. No. 12...
41513	5569	Knife Grinder Emery Wheel Washer for 41335.....
42001	5576	Balance Wheel, 2¼ in. pulley, with 424c and 1354c.....
42002	5526	Cloth Plate for 42100 and 42107.....
42003	5526	“ “ Extension (lower) 42100 and 42107.....
42004	5589	Cloth Plate Extension (upper) 42100, obsolete.....
42005	5526	Cloth Plate Lock Spring for 42100, 42107 and 42362.....
42006	5529	Feed Bar with 1253c, for 81-1 Machine...
42007	5529	“ “ Hinge Pin for 81-1 Machine....
42007	5529	“ (front) Bar Hinge Pin for 81-8 Ma- chine.....
42008	5529	Feed Connecting Rod with 42009 and two 1057E.....
*42009	—	Feed Connecting Rod Cap for 42008.....
42010	5541	“ Dog, 17 teeth (16 teeth to the inch) for 81-1 Machine.....

NO.	PLATE	NAME
42011	5529	Feed Eccentric with two 453c.....
42012	5529	“ Lifting Eccentric with two 462c, for 81-1 Machine.....
42013	5529	Feed Lifting Eccentric Connection.....
42014	5530	“ Regulator with 233b and two 1259c.....
42015	5529	“ “ Connection with 1012e.....
42016	5530	“ “ Hinge Stud.....
42017	5529	“ “ Indicator for 81-1 Machine.....
42018	5530	Feed Regulator Indicator Plate for 81-1 Machine.....
42019	5530	Feed Rock Shaft for 42020.....
42020	—	Feed Rock Shaft complete, Nos. 42019 and 42021.....
42021	5530	Feed Rock Shaft Crank with 157e, for 42020.....
*42022	—	Frame for 81-1 Machine.....
42023	5576	“ Rotary Shaft.....
42024	5576	“ “ “ Bushing (front).....
42025	5553	“ “ “ Crank with 1259c and 1375c.....
42026	5576	Frame Rotary Shaft Flanged Bushing (back) with 54967.....
42027	5589	Frame Side Cover (left) with 19045.....
42028	5526	“ “ “ (right) hinged.....
42029	5576	“ Top Cover for 81-1 Machine.....
42030	5543	Cord Guide Holder for 81-8 Machine.....
42030	5543	Frame Top Cover Extension for 81-1 Machine.....
42031	5543	Cord Guide for 81-8 Machine.....
42031	5543	Frame Top Cover Extension Cord Guide for 81-1 Machine.....
42033	5542	Knife (movable).....
42034	5542	“ “ Gib for 42036.....
42035	5542	“ “ Holder for 42036.....
42036	—	“ “ “ 42035 with 133e, 42034, 42037, 42040 and two 101d.....
42037	5542	Knife (movable) Holder Cap for 42036.....
42038	5542	“ “ “ Guide with 336e.....
42039	5542	“ “ “ “ Plate.....
42040	5542	“ “ “ Screw Extension Pin for 42036.....
42041	5542	Knife (movable) Holder Spring.....
42042	5542	“ “ “ Lever.....
42043	5542	“ “ “ Connection with 42044 and two 175e.....

NO.	PLATE	NAME
*42044	—	Knife (movable) Lever Connection Cap for 42043.....
42045	5542	Knife (movable) Lever Hinge Stud.....
42045	5542	Presser Lever Hinge Stud.....
42046	5543	Knife (stationary) with 42049.....
42047	5543	“ “ Holder.....
42048	5543	“ “ Clamping Stud.....
42049	5543	“ “ Stud for 42046.....
42050	5553	Looper (left hand).....
42051	5553	“ “ “ Lever with 209u.....
42052	5553	“ “ “ “ Connecting Link.....
42053	5553	Looper (left hand) Lever Hinge Stud.....
42054	5544	Needle Bar.....
42055	5544	“ “ Connecting Link.....
42057	5544	“ “ “ Rod with 42059, 42076 and four 896e, for 81-1 Machine.....
*42059	—	Looper (right hand) and Spreader Lever Connection Cap (upper) for 42075.....
*42059	—	Needle Bar Connecting Rod Cap (upper) for 42057 and 42347.....
42064	5544	Needle Bar Connecting Bracket with 187b and 223e.....
42065	5569	Knife Grinder Knife Holder Bracket Hinge Stud for 41335.....
42066	5544	Needle Guard.....
42067	5541	Presser Foot with 233b and 42068, for 81-1 Machine.....
42068	5541	Presser Foot Chaining-off Finger for 42067 and 42357.....
42069	5576	Presser Lever.....
42070	5584	“ “ Lifter.....
42071	5584	“ “ Spring.....
42072	5584	Spreader for 81-1 Machine.....
42073	5553	Looper (right hand) and Spreader Lever with 1259c.....
42074	5553	Looper (right hand) and Spreader Lever Ball Stud.....
42074	5553	Needle Bar Crank (back) Ball Stud.....
42075	5553	Looper (right hand) and Spreader Lever Connection with 42059, 42076 and four 896e.....
*42076	—	Looper (right hand) and Spreader Lever Connection Cap (lower) for 42075.....
*42076	—	Needle Bar Connecting Rod Cap (lower) for 42057 and 42347.....

NO.	PLATE	NAME
42077	5584	Looper (right hand) and Spreader Lever Connection Guide
42077	5584	Needle Bar Connecting Rod Guide
42078	5584	Looper (right hand) and Spreader Lever Hinge Pin
42079	5530	Feed Rock Shaft Hinge Pin Bushing
42079	5530	Looper (right hand) and Spreader Lever Hinge Pin Bushing
42082	5556	Tension (needle thread) Thread Guide
42084	5556	Thread (looper, left hand) Tube
42085	5541	Throat Plate for 42010 for 81-1 Machine
42086	5564	Machine Base with three wood screws 1¼ in. No. 12 and four each 935b, 4718, 42088 and 66707
42088	5586	Machine Cushion (felt) for 42086
42089	5566	Wrench for 1324, 1374 and 1629 (Accessories)
42090	5566	Threading Wire (Accessories)
42093	5556	Thread (looper, right hand) Staple
42094	5526	Feed Eccentric Cover for 81-1 Machine
42096	5556	Thread (needle) Eyelet
42097	5556	“ “ Take-up for 81-1 Machine
42098	5530	Feed Rock Shaft Hinge Pin
42100	—	Cloth Plate complete for 81-1 Machine, Nos. 42002 to 42005 two 236b and five 229b, obsolete
42101	5543	Frame Side Cover (right) Lock Spring
42102	5543	Feed Eccentric Cover Holder for 81-8 Machine
42102	5543	Frame Top Cover Extension Holder for 81-1 Machine
42103	5544	Needle Bar Crank (back) with 1258c and two 1259c
42104	5544	Needle Bar Crank (front) with 901c, 1258c and 1259c
42105	5544	Needle Bar Crank Shaft
42106	5584	Looper (right hand) and Spreader Lever Connection Oil Tube and Bracket with 29599
42107	—	Cloth Plate complete for 81-1 Machine, Nos. 42002, 42003, 42005, 42108, two 236c and five 229e
42108	5526	Cloth Plate Extension (upper) for 42107 and 42362
42115	5544	Needle Bar Thread Retainer Bracket

NO.	PLATE	NAME
42124	5590	Thread (looper, left hand) Pull-off for 81-8 Machine
42125	5590	Thread (looper, left hand) Pull-off Eyelet for 81-8 Machine
42127	5556	Thread (looper, right hand) Take-up
Nos. 42130 TO 42132 FOR 42133 AND 42144		
42130	5586	Lifting Lever
42131	5586	“ “ Bracket
42132	5586	“ “ Spring
42133	—	Foot Lifter complete, Nos. 1301b, 4885, 6439, 42130 to 42132 and two each 1148F, 1229c and 1547J
42142	5564	Lifting Lever Connecting Rod for 42144
42143	5564	Rock Shaft complete for 42144, Nos. 2763, 2768, 6337, 7125 and two each 2770 and 12242
42144	—	Knee Lifter complete, Nos. 1301b, 42130 to 42132, 42142, 42143 and two each 1148F, 1229c and 1547J
42151	5590	Feed (front) Bar with 1253c, for 81-8 Machine
42153	5589	Feed Eccentric Cover for 81-8 Machine
42166	5553	Looper (right hand)
42242	7396	Thread (looper, left hand) Eyelet
*42251	—	Arm with two each 462c and 42253, for 81-1 Machine
42253	5544	Needle Bar Bushing for 42484 and 42486
42290	5530	Feed Regulating Screw Stud Washer
Nos. 42339 TO 42364 FOR 81-8 MACHINE		
*42339	—	Arm with two each 462c and 42253
42340	5590	Feed (back) Bar
42341	5590	“ “ Adjusting Lever with 967b and 42342
42342	5590	Feed (back) Adjusting Lever Stud for 42341
42343	5541	Feed (back) Dog, 3 teeth (16 teeth to the inch)
42344	5541	Feed (front) Dog, 17 teeth (16 teeth to the inch)
42345	5590	Feed Lifting Eccentric with two 462c
*42346	—	Frame
42347	5590	Needle Bar Connecting Rod with 42059, 42076 and four 896e
42348	5591	Needle Bar Thread Retainer Disc (inside)
42349	5591	“ “ “ “ “ (outside) 10106 with 42350

NO.	PLATE	NAME
42350	—	Needle Bar Thread Retainer Disc (outside) Bushing for 42349.....
42351	5591	Oil Pipe with 42353 and 42354, for oiling back bearing.....
42352	5591	Oil Pipe with 42353 and 42354, for oiling front bearing.....
42353	5591	Oil Pipe Coupling for 42351 and 42352....
42354	5591	" " Oil Cup for 42351 and 42352....
42355	5591	" " Strap for 42351.....
42356	5591	" " " " 42352.....
42357	5541	Presser Foot with 220b, 233b, 42068 and 42358.....
42358	5541	Presser Foot Stop Screw Stud for 42357..
42359	5591	Spreader for 81-8 Machine.....
42360	5541	Throat Plate for 42343 and 42344.....
42361	5589	Cloth Plate for 42362.....
42362	—	Cloth Plate complete, Nos. 42005, 42108, 42361, 42363 two 236c and five 229E....
42363	5589	Cloth Plate Extension (lower) for 42362..
42367	5591	Frame Rotary Shaft Front Bearing Oil Pad (braided cotton).....
42418	—	Tension (looper, left hand) Screw Stud 828c with 1560c.....
42418	—	Tension (looper, right hand) Screw Stud 828c with 1560c.....
42483	7396	Needle Bar Thread Retainer Disc for 81-1 Machine.....
*42484	—	Arm with two each 462c, 624c, 42253 and 42487, for 81-1 Machine.....
*42486	—	Arm with two each 462c, 624c, 42253 and 42487, for 81-8 Machine.....
42487	7396	Needle Bar Crank Shaft Bushing for 42484 and 42486.....
44209	—	Tension (needle thread) Screw Stud 916c with 1560c.....
50562c	7396	Looper (left hand) Lever Connecting Link Hinge Screw.....
54967	5591	Frame Rotary Shaft Flanged Bushing (back) Oil Pad (braided cotton) for 42026.....
56864	5566	Chain Hook (large) for 6439.....
56865	7396	" " (small) for 6439.....
66707	7396	Machine Cushion Screw Washer for 42086
120341	5566	Tweezers, curved (Accessories).....
120344	5566	Oiler (copper plated) with 120345 (Accessories).....
120345	5566	Oiler Spout, 5 in. long, for 120344.....

NO.	PLATE	NAME
120440	5566	Screw Driver (Accessories).....
200383c	7396	Thread Unwinder Spool Rest Rod Set Screw for 202490.....
201018c	7396	Thread Unwinder Spool Rest Set Screw for 225389 and 225395.....
201696j	7396	Thread Unwinder Thread Guide Lock Nut for 225397.....
202490	7165	Thread Unwinder Spool Stand with 200383c for 225397.....
225388	7165	Thread Unwinder Spool Rest Rod for 225397.....
225389	7165	Thread Unwinder Spool Rest (for one spool) with 201018c, for 225397.....
225390	7234	Thread Unwinder Thread Cone Holder for inverted cones, for 225397.....
225391	7165	Thread Unwinder Thread Guide for 225397.....
225392	7165	Thread Unwinder Thread Guide Rod with 208E and 225393, for 225397.....
225393	7396	Thread Unwinder Thread Guide Rod Washer for 225392.....
225395	7165	Thread Unwinder Spool Rest (for two spools) with 201018c, for 225397.....
225397	7165	Thread Unwinder complete, (for three spools) Nos. 201696j, 202490, 225388, 225389, 225392, 225395 three 225391 and wood screws $\frac{3}{8}$ in. No. 12.....

Genuine Singer Needles and their Containers are marked with the Company's Trade Mark "SIMANCO." 1

Needles in Containers marked "For Singer Machines" are not Singer made needles. 2

ILLUSTRATIONS OF PARTS

FOR

MACHINES

Nos. 81-1 and 81-8

ILLUSTRATIONS OF PARTS
FOR
MACHINES
Nos. 81-1 and 81-8

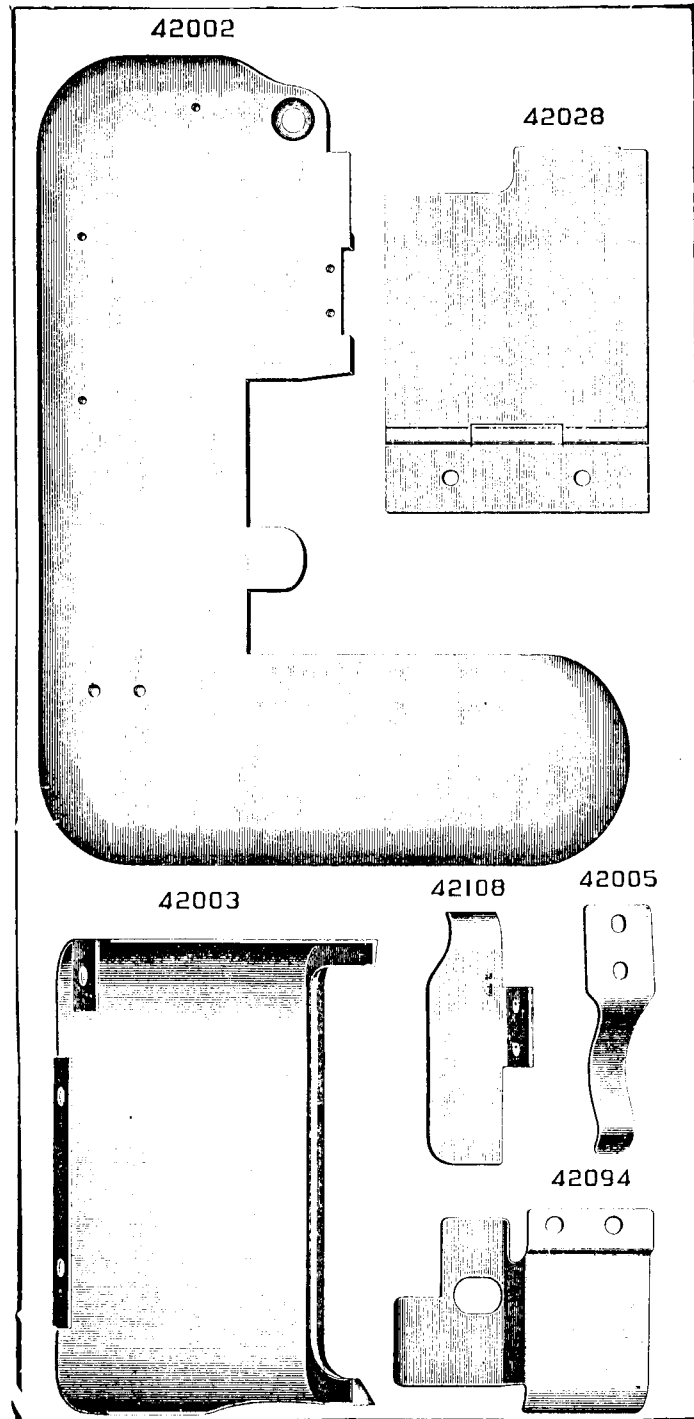


PLATE 5529—FULL SIZE

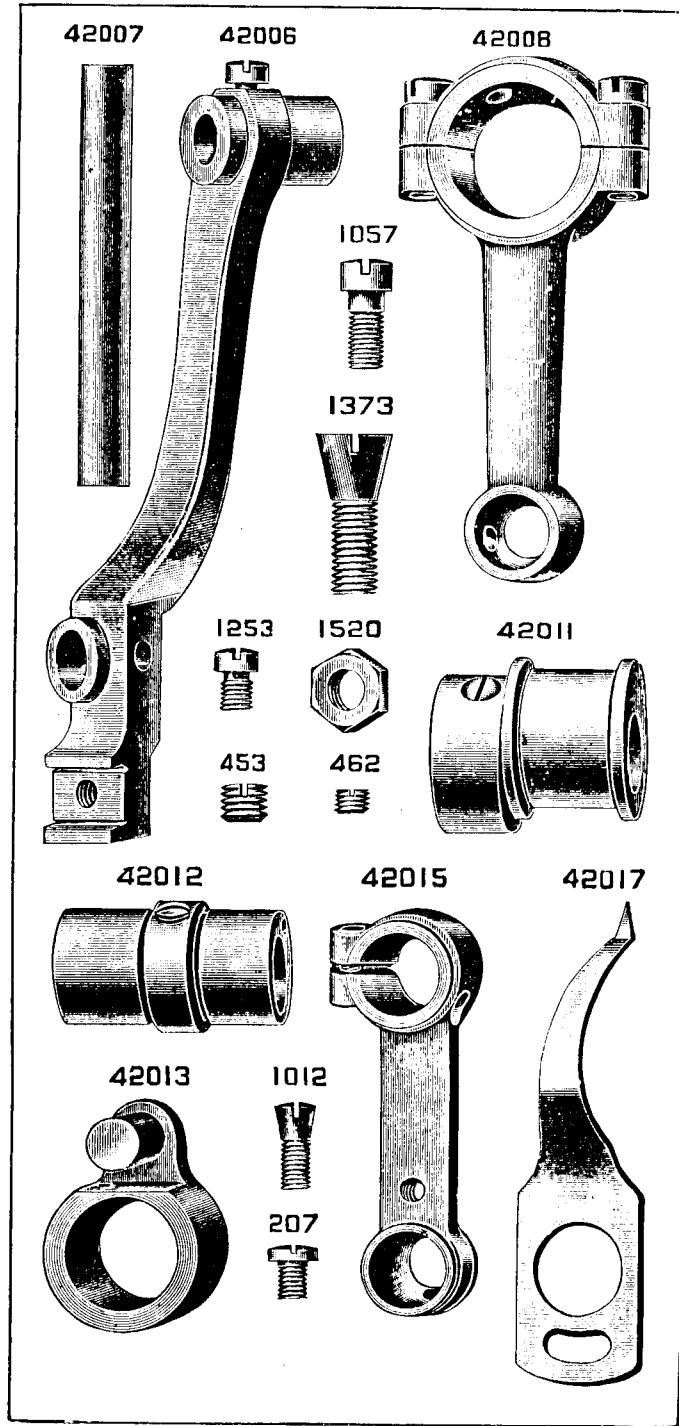


PLATE 5530—FULL SIZE

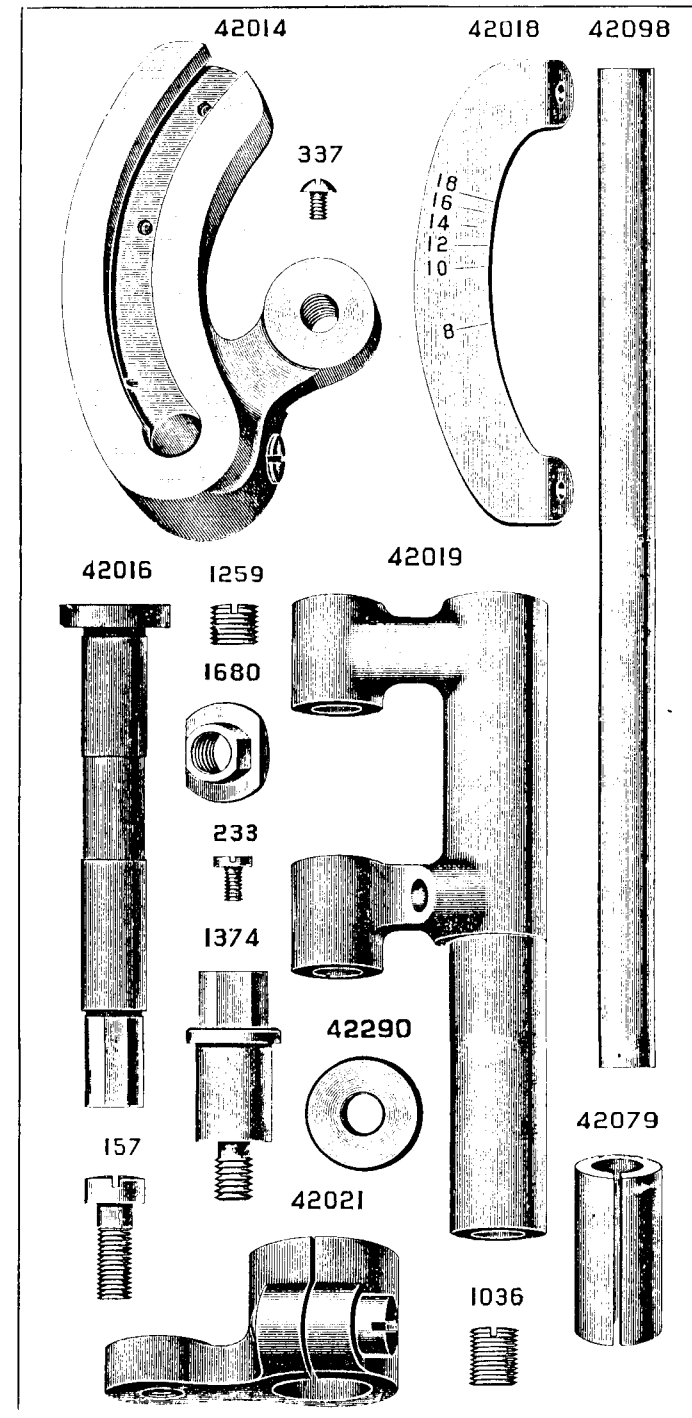


PLATE 5541—FULL SIZE

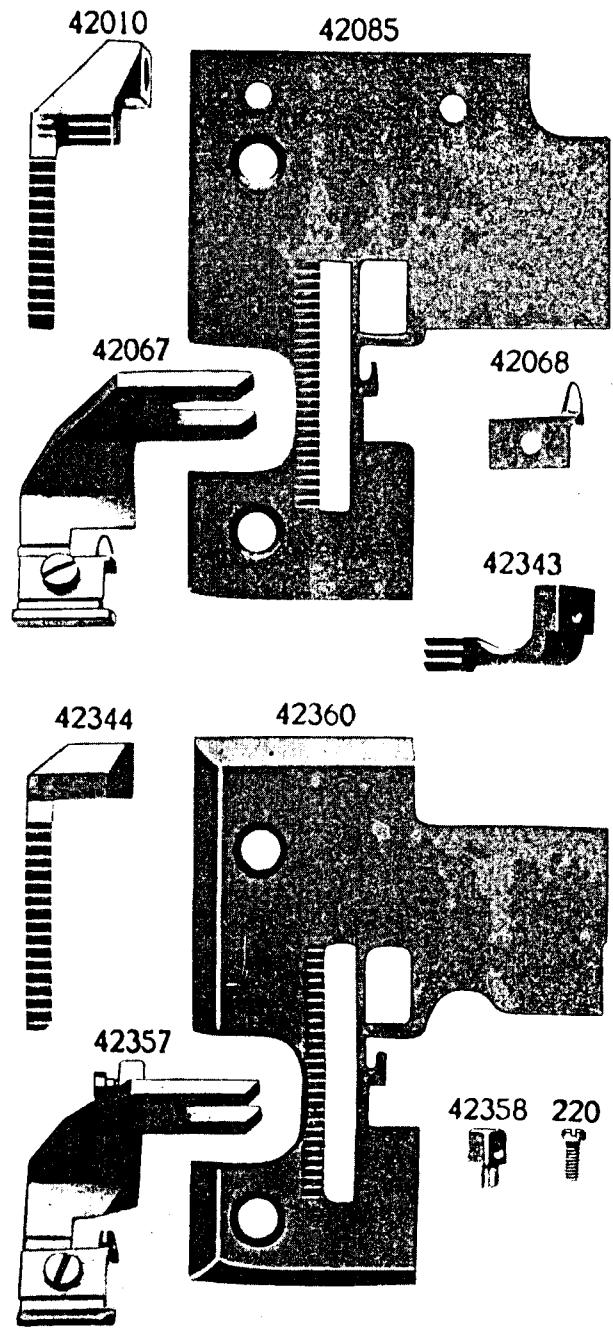


PLATE 5542—FULL SIZE

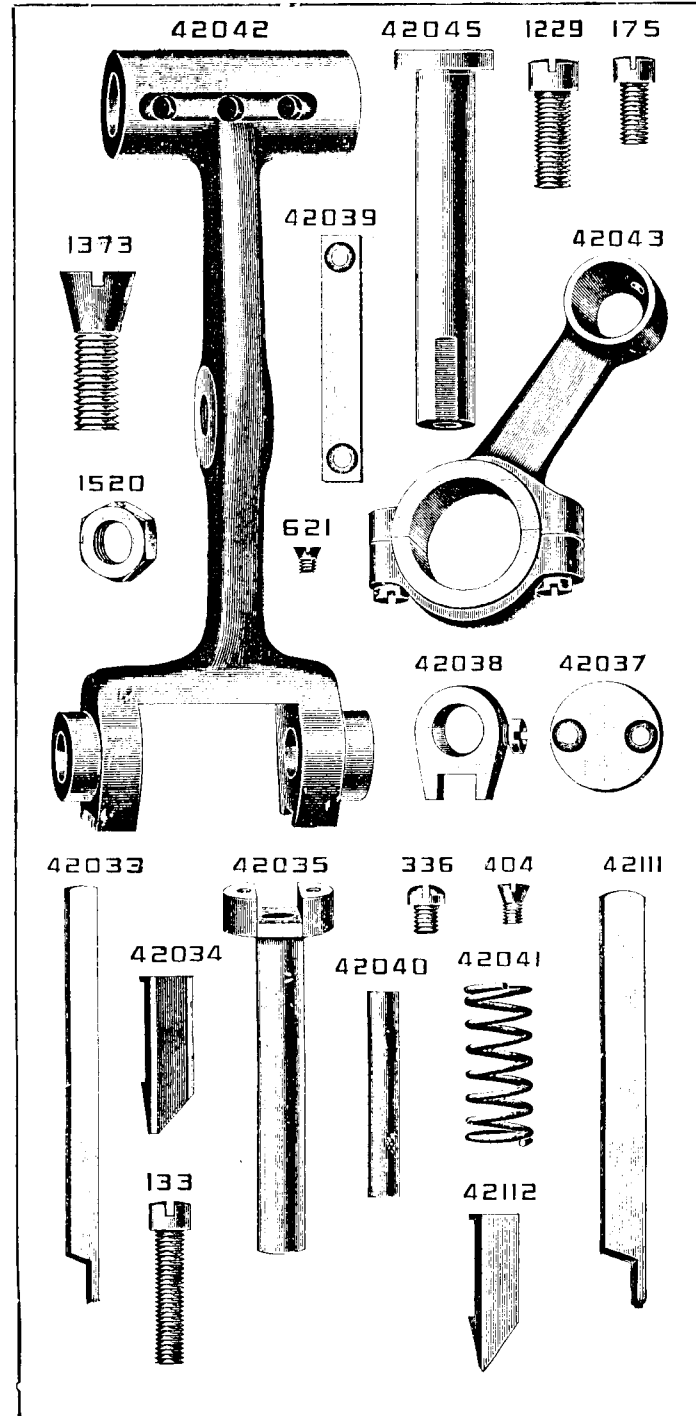


PLATE 5543—FULL SIZE

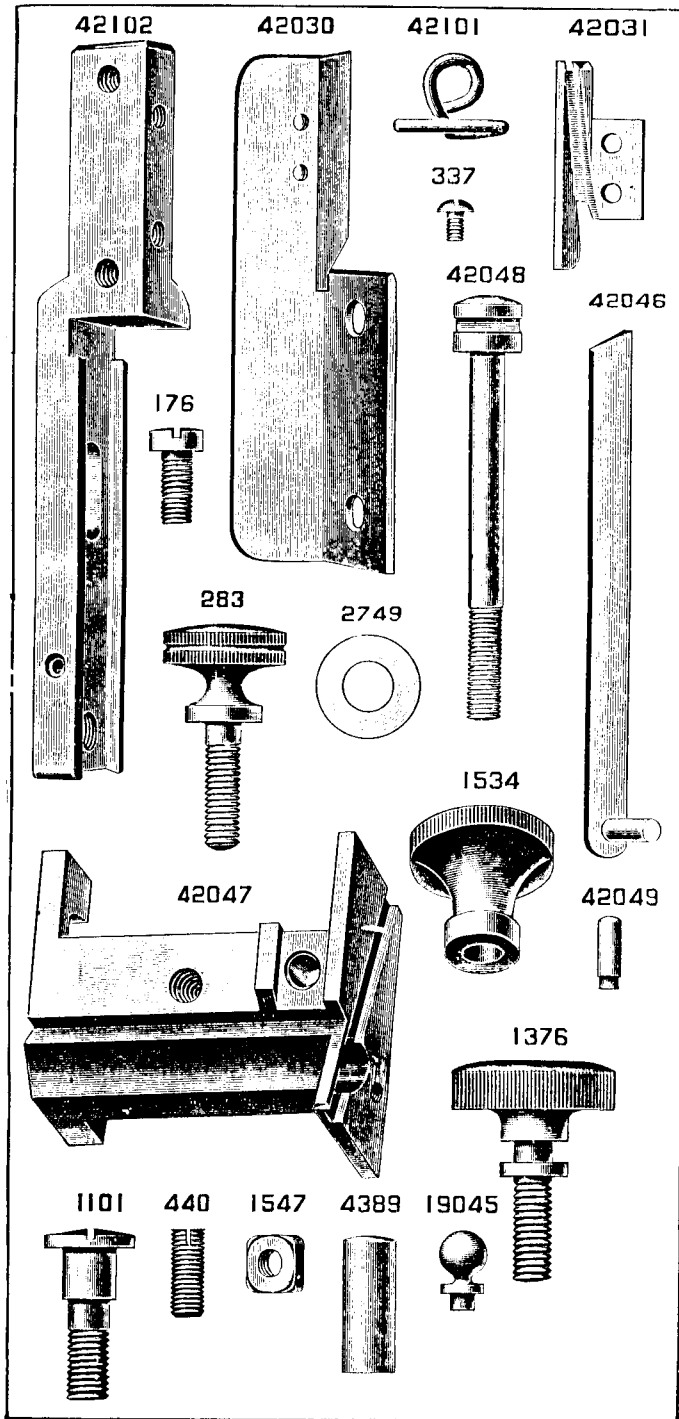


PLATE 5544—FULL SIZE

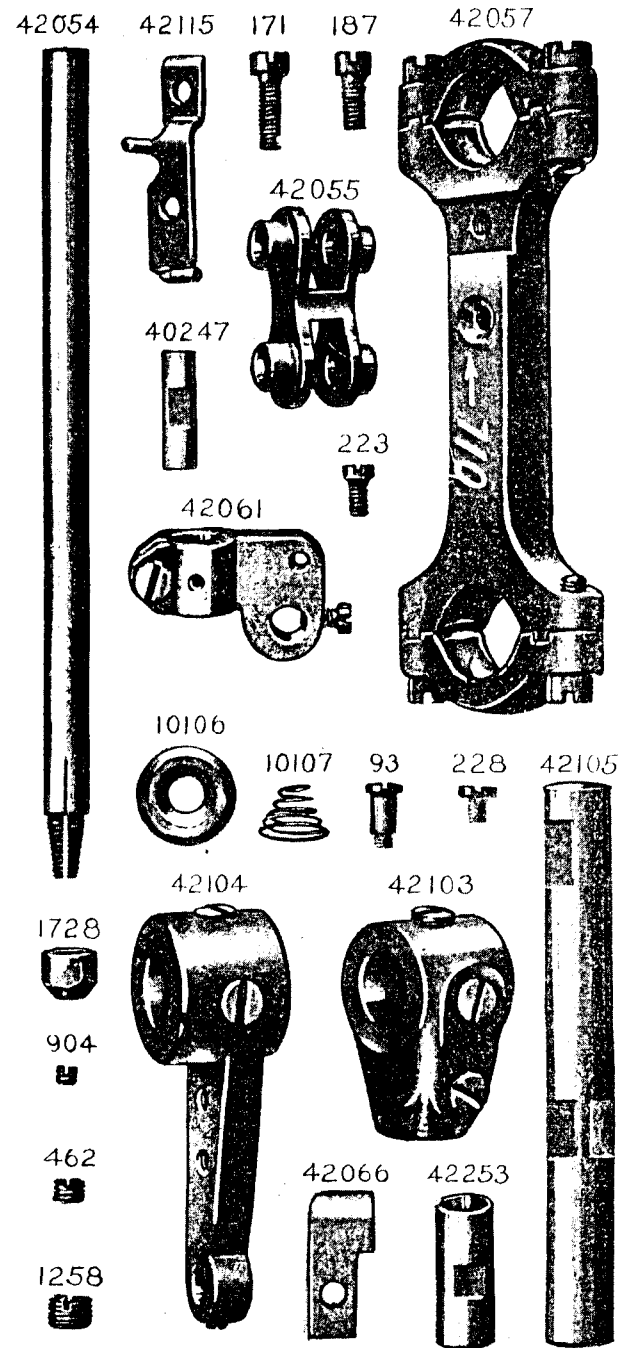


PLATE 5553—FULL SIZE

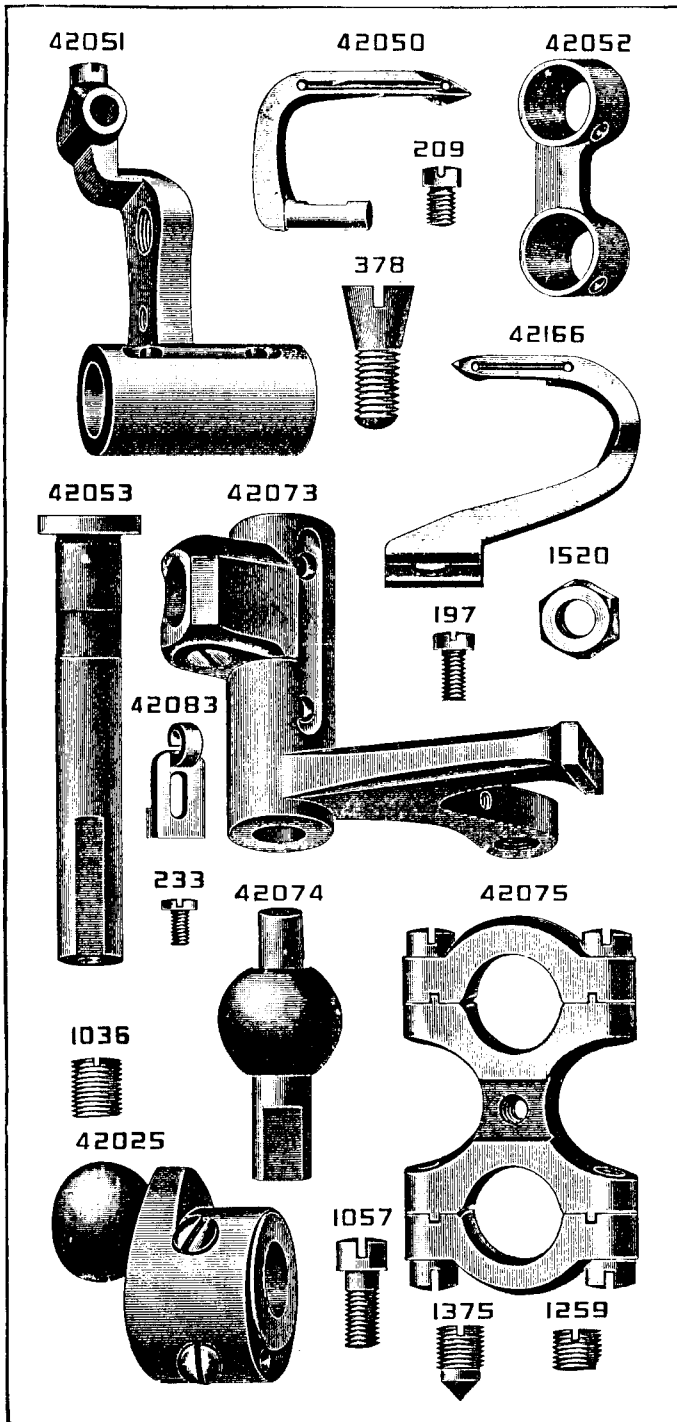


PLATE 5556—FULL SIZE

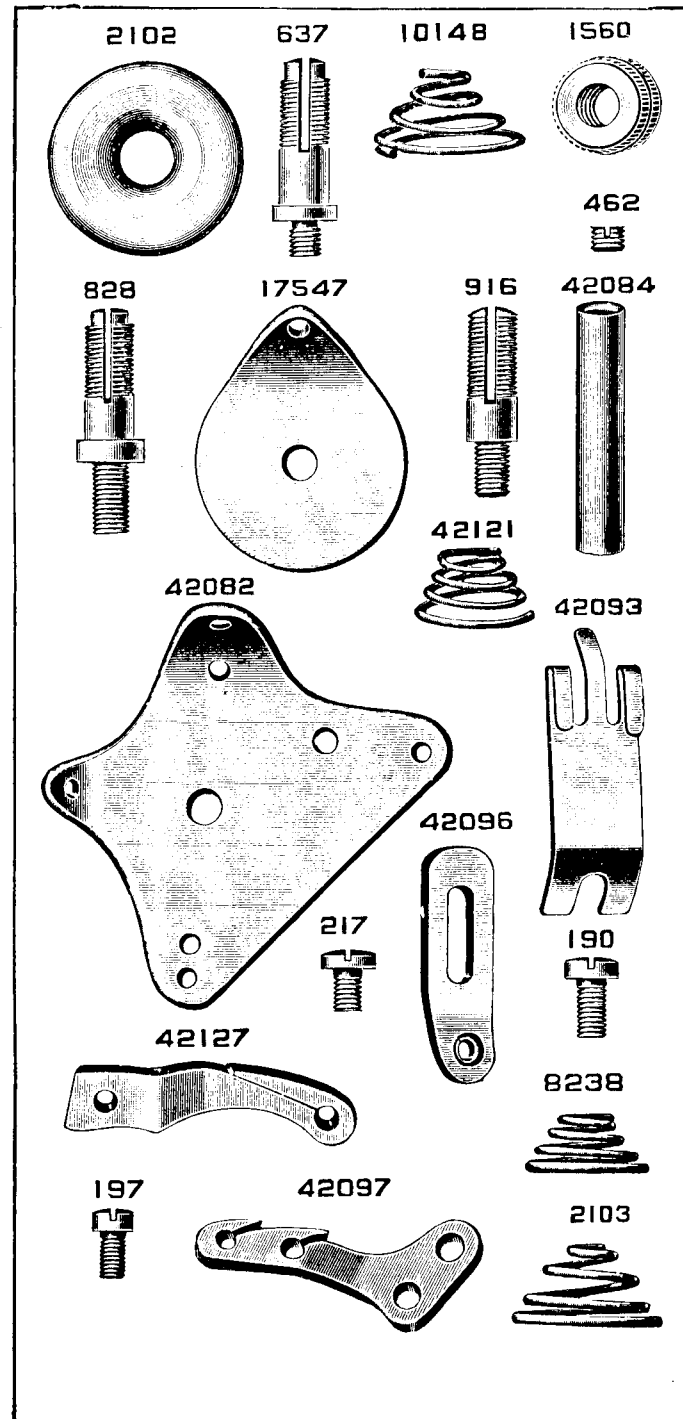


PLATE 5562—FULL SIZE

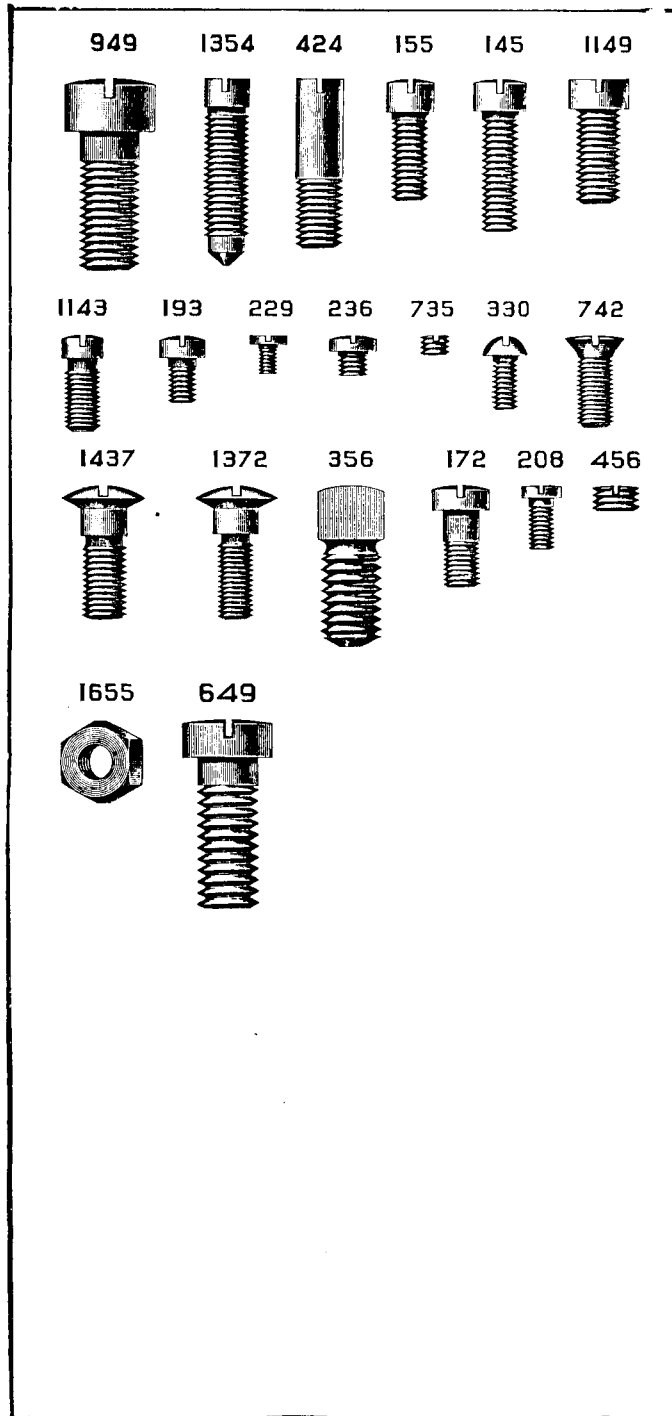


PLATE 5563—FULL SIZE

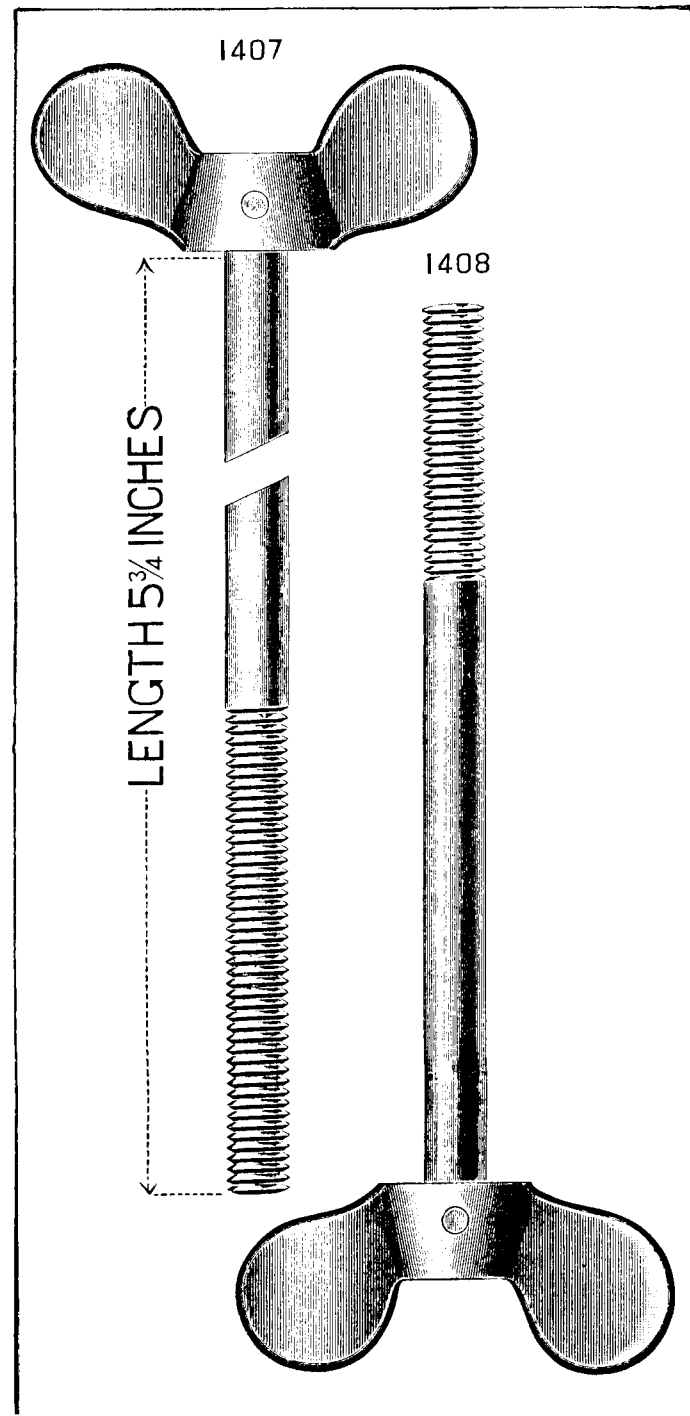


PLATE 5564—ONE-FOURTH SIZE

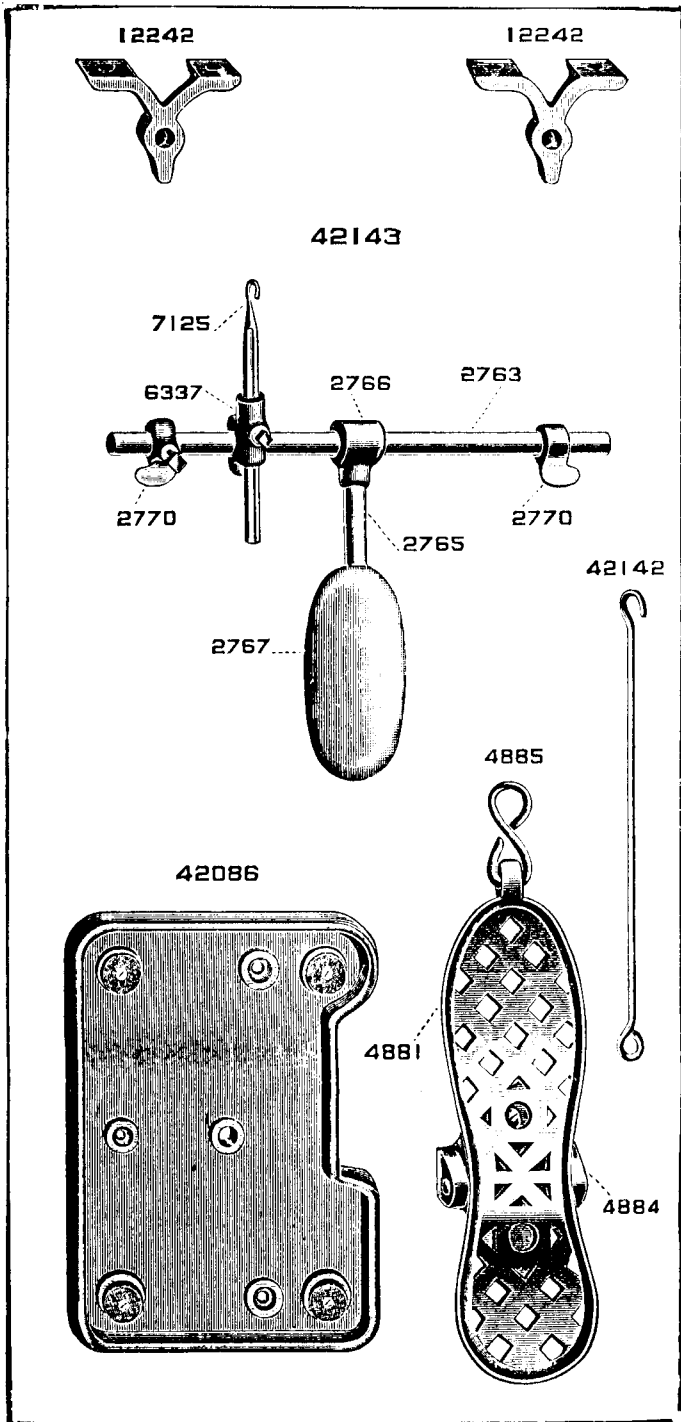


PLATE 5566—ONE-HALF SIZE

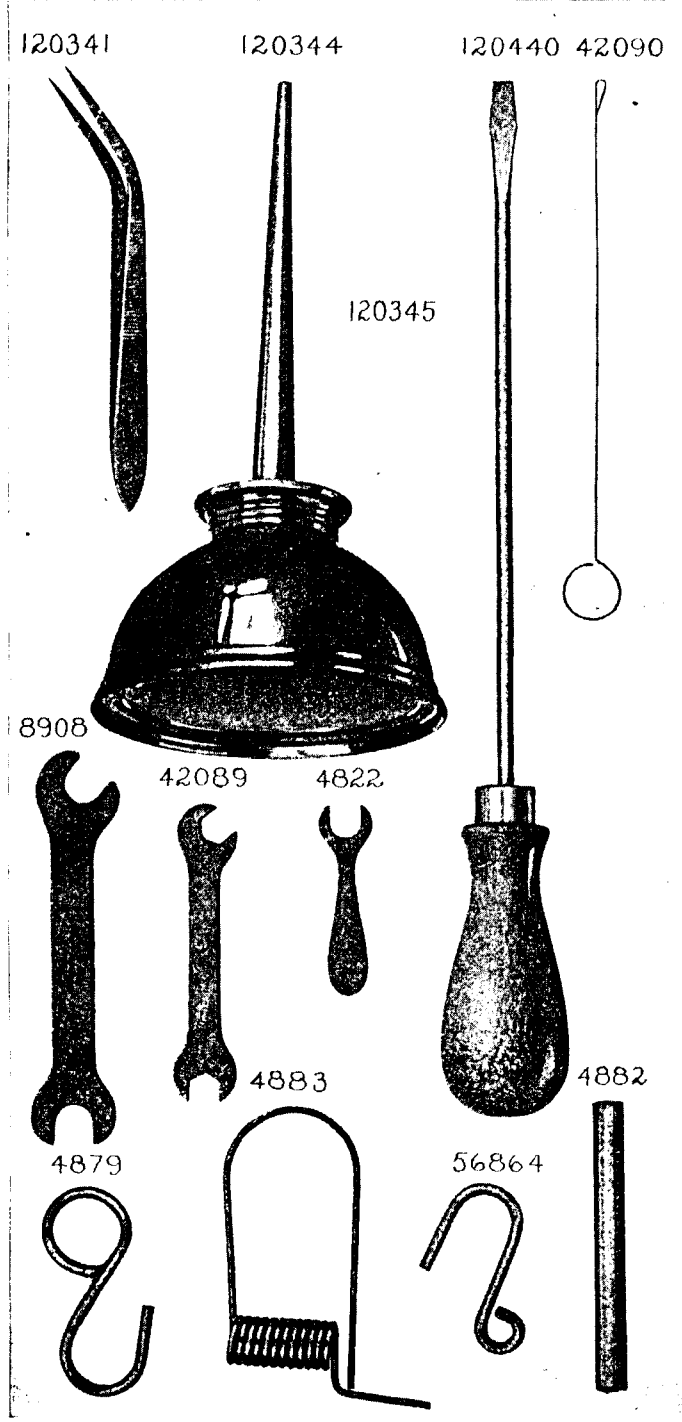


PLATE 5567--ONE-HALF SIZE

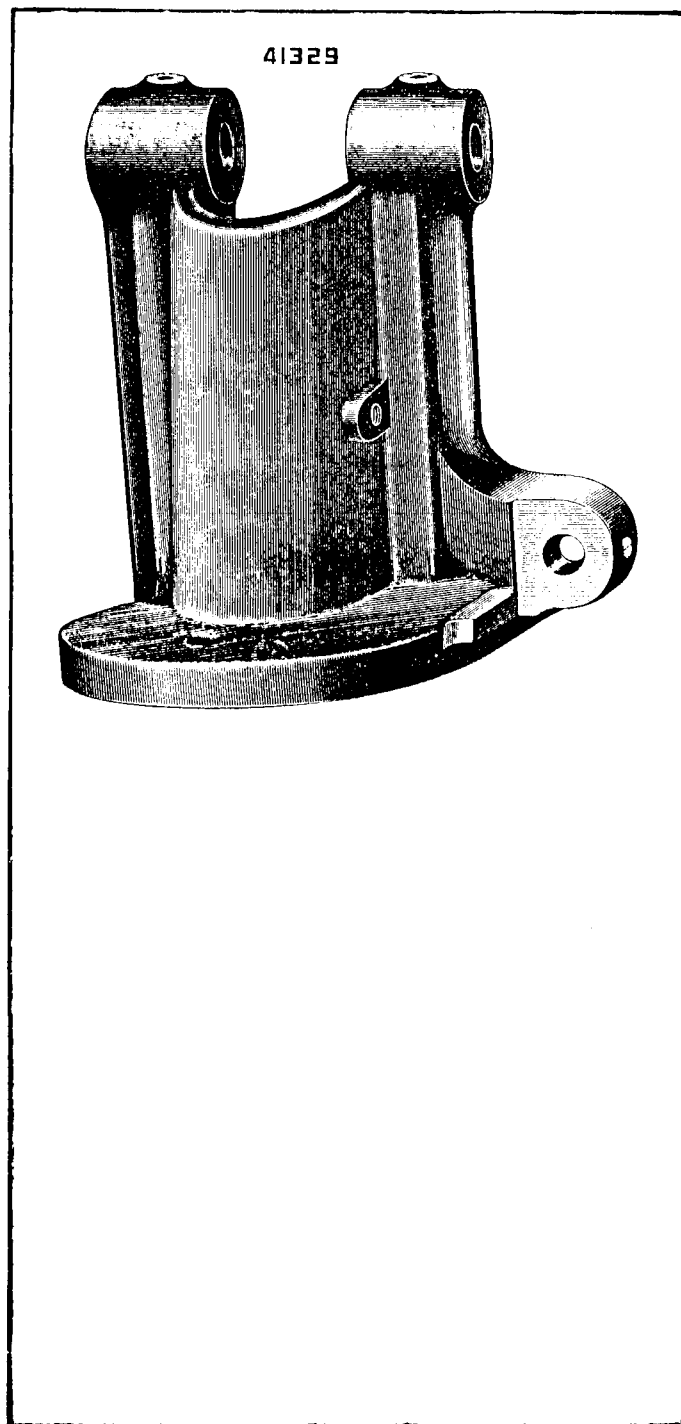


PLATE 5568--ONE-HALF SIZE

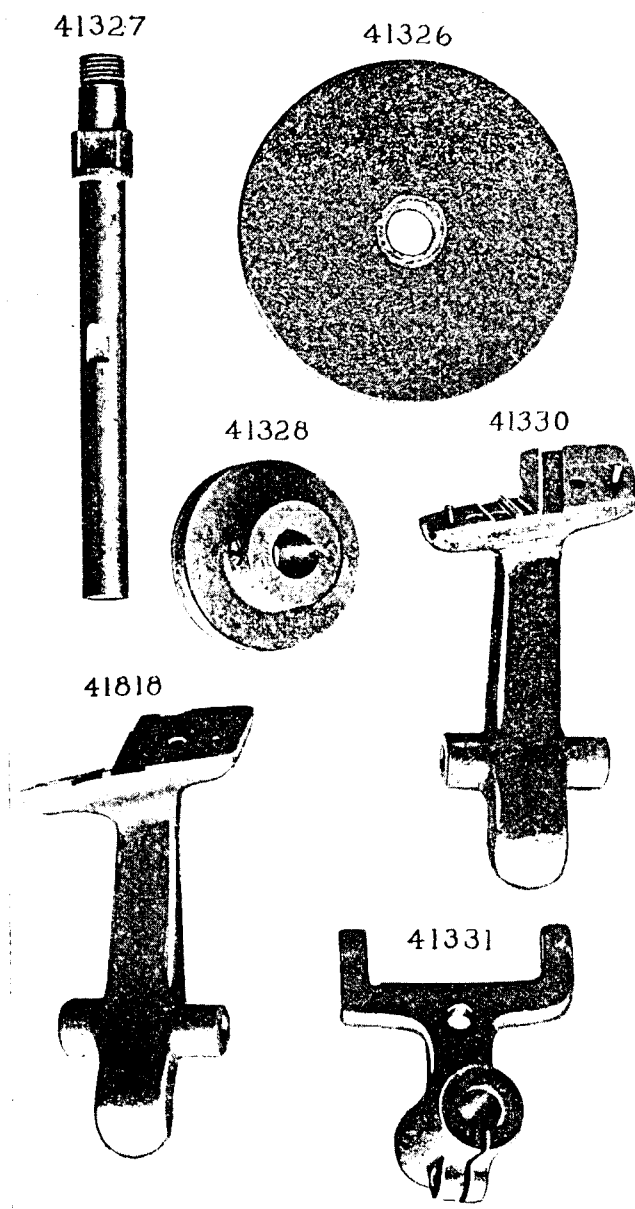


PLATE 5569—FULL SIZE

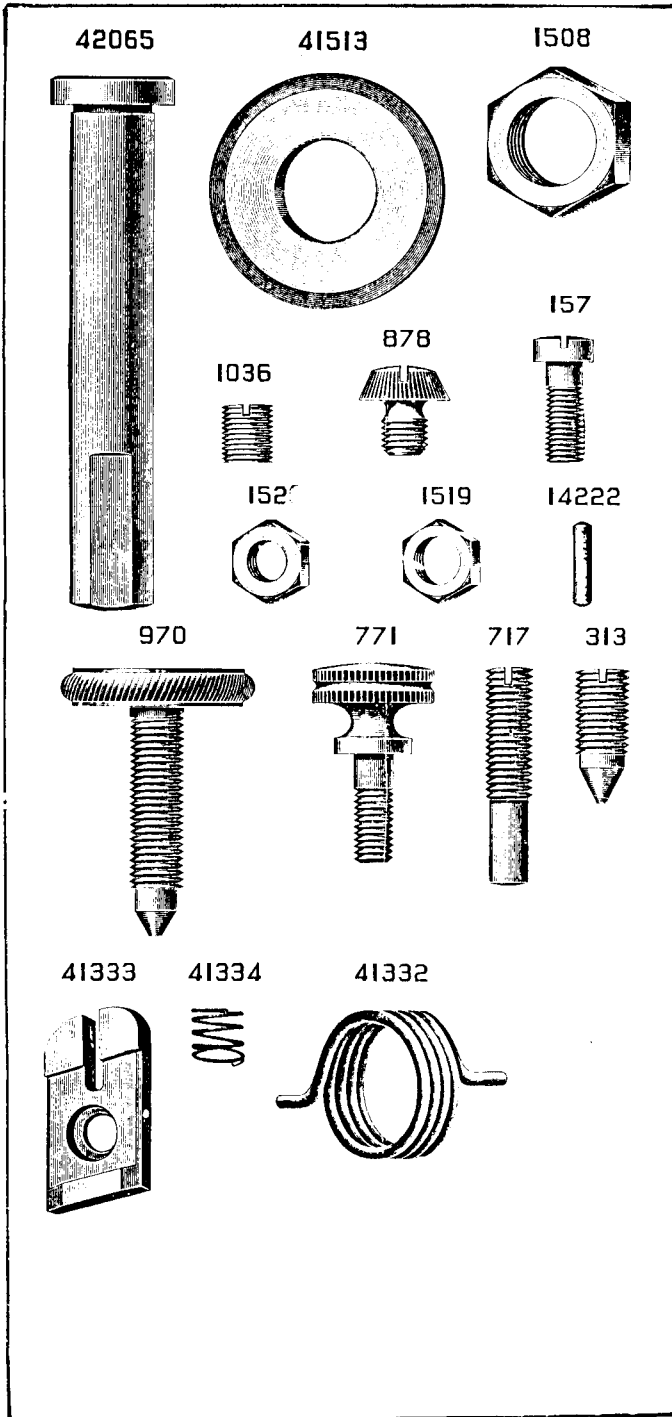


PLATE 5576—ONE-HALF SIZE

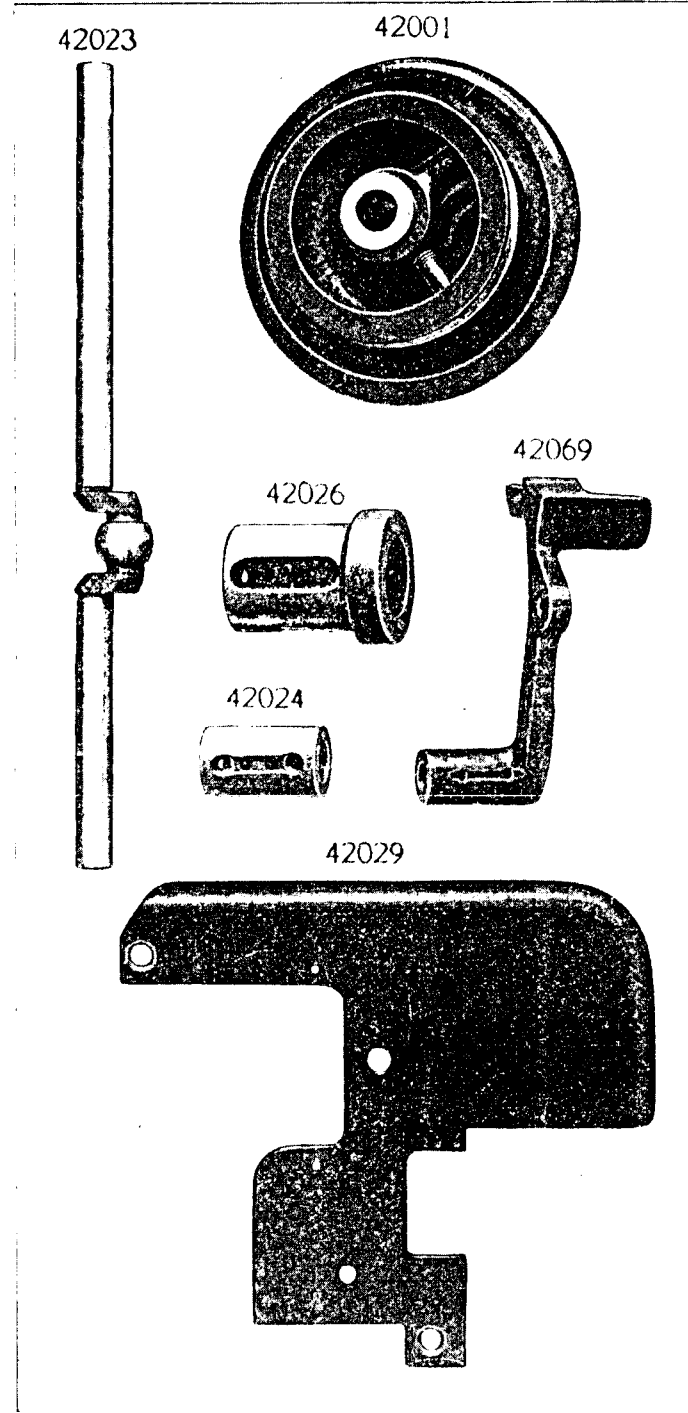


PLATE 5584—FULL SIZE

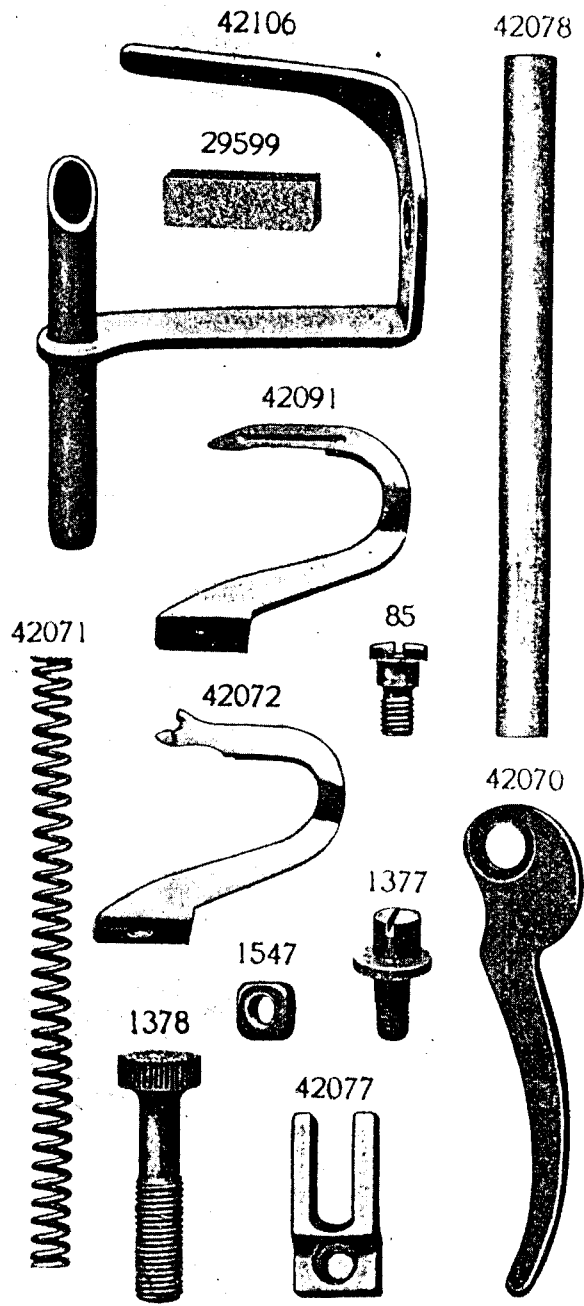


PLATE 5586—FULL SIZE

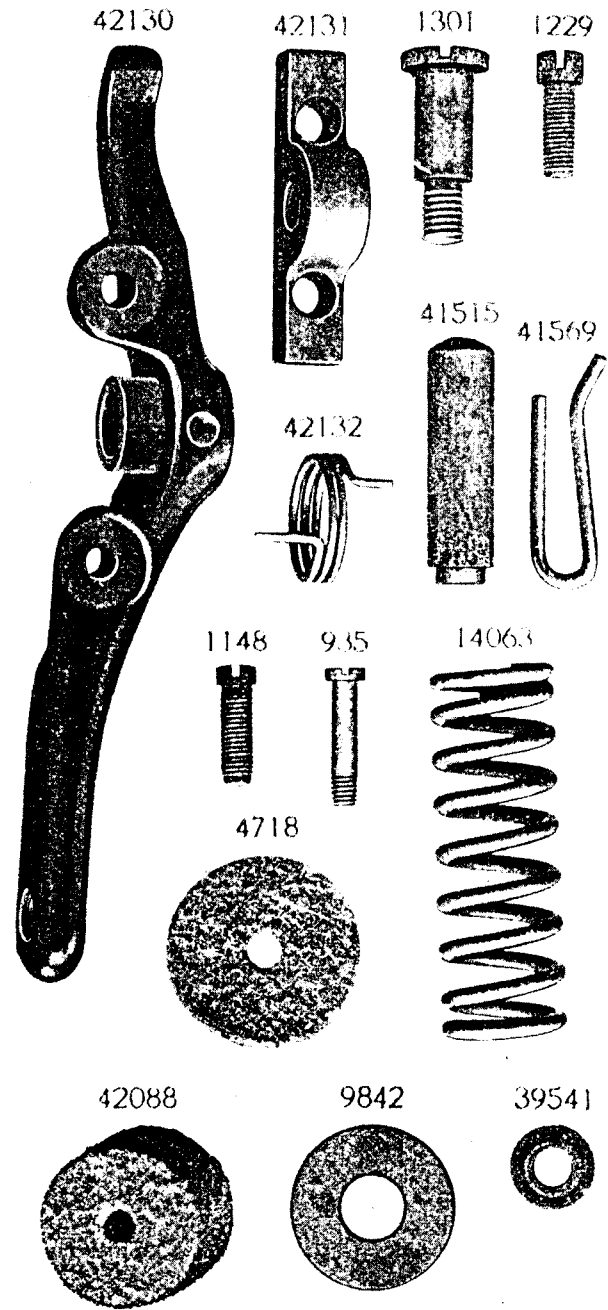


PLATE 5589—ONE-HALF SIZE

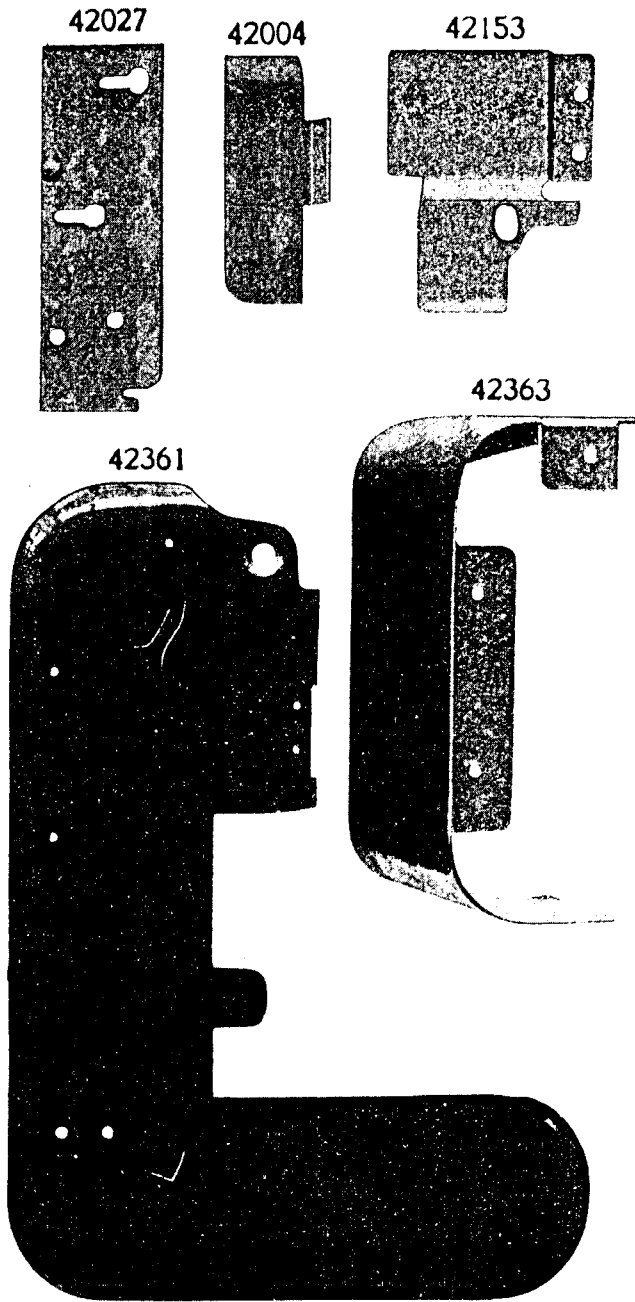


PLATE 5590—FULL SIZE

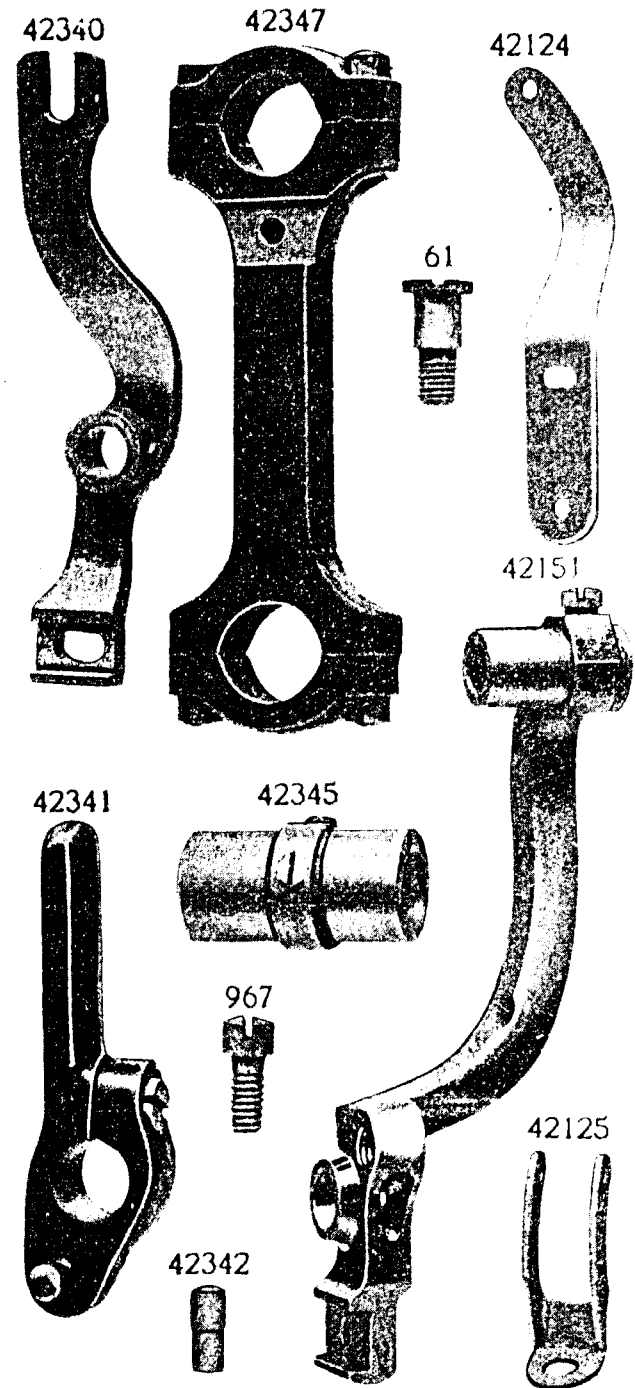


PLATE 5591—FULL SIZE

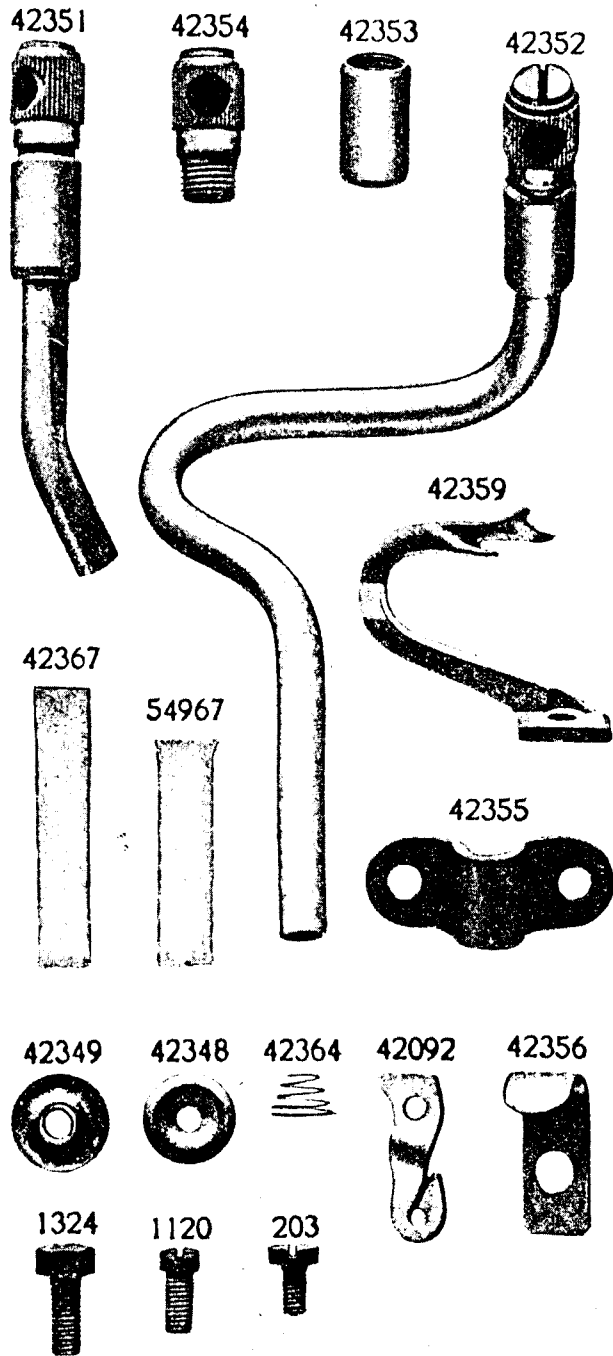


PLATE 7165—ONE-SIXTH SIZE

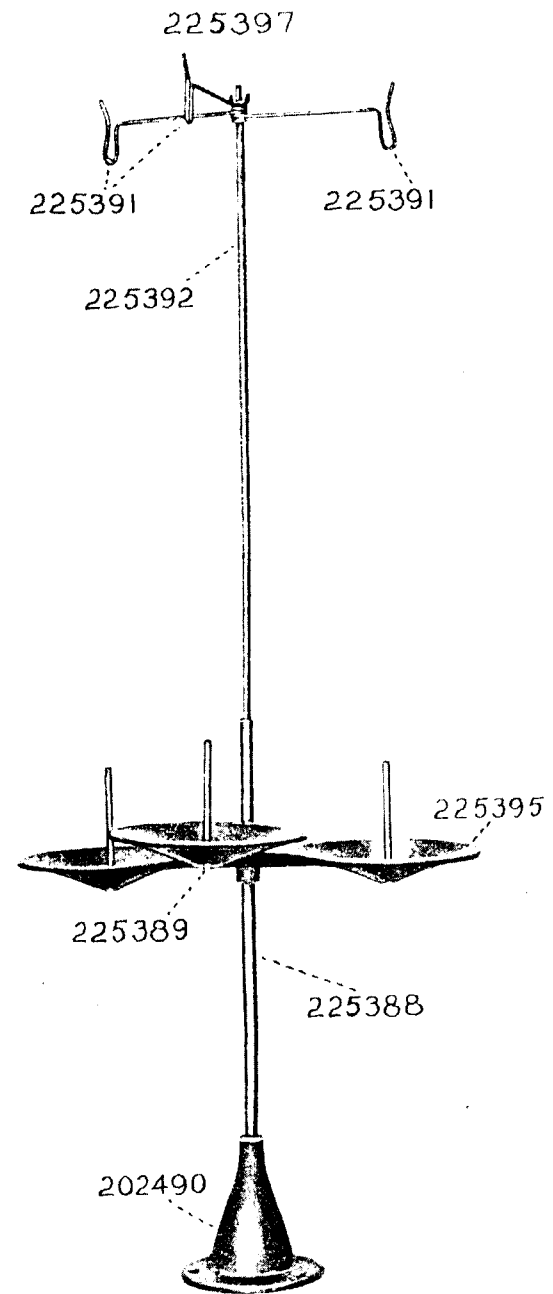


PLATE 7234—ONE-HALF SIZE

27739



225390

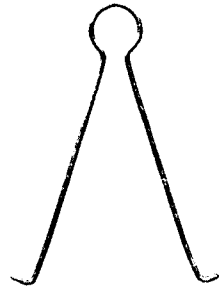


PLATE 7396—FULL SIZE

60914



56865



201696



225393



200383



42242



50562



896



201018



42461



208



624



1258



66707



42487



42183

