

Singer 7-58

Singer 7-61

Form 21027

(159)

Printed in U. S. A

# LIST OF PARTS



# SINGER<sup>\*\*</sup> MACHINES

Nos. 7-58 and 7-61

---

THE SINGER MANUFACTURING COMPANY

\*\*A Trade Mark of THE SINGER MANUFACTURING COMPANY

## INSTRUCTIONS FOR OILING

---

To ensure easy running and prevent unnecessary wear of the parts which are in movable contact, the machine requires oiling and when in continuous use, "TYPE B" or "TYPE D" OIL, sold by Singer Sewing Machine Company, should be applied at least twice each day to all oil holes marked "OIL", as instructed in Form 8357.

"TYPE D" OIL should be used when an oil is desired which will produce a minimum of stain on fabrics, even after a long period of storage.

## INDEX

	Page
Accessories .....	29
Bobbin Winder for 7-58 Machine .....	29
Bobbin Winder for 7-61 Machine .....	30
Foot Lifter Parts .....	30
Machine No. 7-58 .....	7
Machine No. 7-61 .....	17
Numerical List of Parts .....	33
Thread Unwinder .....	31

## INSTRUCTIONS FOR ORDERING

In ordering from this list, use **ONLY** the part NUMBER in the **FIRST** column.

The number stamped on a Sewing Machine Part is in every case the number of the single part only.

Every combination of parts sent out as such has its specific number, which, although not stamped on the parts, must be used when ordering the combination.

Each number always indicates the **SAME PART** in whatever list it appears, or for whatever machine.

The letters after some of the numbers indicate the style of finish only, as follows:

- A—Hardened, Polished, Nickel Plated and Buffed
- B—Polished, Nickel Plated and Buffed
- C—Hardened Only
- D—Polished Only
- E—Soft, Not Polished
- F—Hardened and Polished
- G—Bright Rumbled and Nickel Plated
- H—Blued
- J—Nickel Plated Only
- K—Hardened and Nickel Plated
- L—Brass Plated
- M—Oxidized
- R—Phosphate Coating Formed on Surface of Iron or Steel
- S—Cadmium Plated
- T—Copper Plated
- U—Zinc Plated
- V—Silver Plated
- W—Polished and Nickel Plated
- X—Black Oxide for Iron and Steel
- Y—Black Nickel Plated Only
- Z—Chromium Plated
- A.A—Buffed and Chromium Plated
- A.B—Hardened, Polished, Buffed and Chromium Plated
- A.E—Hardened, Bright Rumbled and Nickel Plated
- A.F—Hardened, Bright Rumbled, Nickel Plated, Bright Rumbled and Chromium Plated
- A.G—Alumilite (Plain)
- A.H—Alumilite (Dyed) Color Must be Stated
- A.J—Polished, Nickel Plated and Chromium Plated
- A.K—Hardened, Polished, Nickel Plated and Chromium Plated
- A.L—Heat Treated for Toughness
- A.L.D—Heat Treated for Toughness and Polished
- A.L.X—Heat Treated for Toughness and Black Oxide

## INSTRUCTIONS FOR ORDERING

- A.S—Black Moulded Phenolic
- A.T—Beige Moulded Phenolic
- A.U—Brown Moulded Phenolic
- A.W—Hardened then Flame Coated with Tungsten Carbide
- B.A—Chrome Nickel Satin Finish
- B.B—Hardened and Chrome Nickel, Satin Finished
- C.R—Hardened and Phosphate Coating Formed on Surface of Steel
- F.J—Hardened, Polished and Nickel Plated
- T.A—Hardened, Polished, Copper and Nickel Plated and Buffed
- T.B—Copper and Nickel Plated and Polished
- T.J—Copper and Nickel Plated Only
- T.K—Hardened, Copper and Nickel Plated
- T.L—Copper and Brass Plated
- T.M—Copper Plated and Oxidized
- X.C—Hardened and Black Oxide for Iron and Steel
- Z.A—Hardened, Polished Nickel Plated, Buffed and Chromium Plated
- Z.B—Polished, Nickel Plated, Buffed and Chromium Plated
- Z.C—Hardened and Chromium Plated
- Z.D—Polished and Chromium Plated
- Z.G—Bright Rumbled, Nickel Plated, Bright Rumbled and Chromium Plated
- Z.J—Nickel and Chromium Plated
- Z.T—Copper and Chromium Plated

These letters **MUST BE USED** when they appear in the list; and **AFTER** the number as in the list.

In this series:

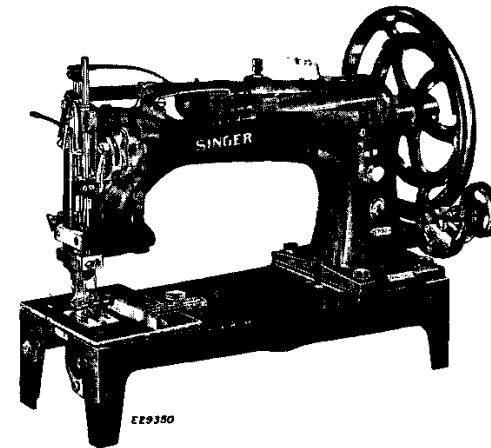
- 1 to 1500, 50001 to 51500 and 140001 to 142,000 are screw numbers
- 1501 to 1800 and 51500 to 51800 are nut numbers
- 1801 to 2000 and 51801 to 52000 are roller numbers
- 2001 to 50000 and 52001 to 140000 and 142001 to 190000 are Sewing Machine Parts, 190001 and upward are numbers of Electrical Parts.

The figures in the second column refer only to the plates, illustrating the parts, and are **NOT TO BE USED** in ordering.

Parts marked with an asterisk (\*) are furnished only when repairs are made at the factory.

When ordering parts which differ as to gauge (the distance between seams), the gauge as well as the number must be given on the order.

LIST OF PARTS COMPLETE  
FOR



MACHINE NO. 7-58

FOR GENERAL WORK IN CANVAS. TWO NEEDLES.  
TWO SHUTTLES. GAUGES 3/4 INCH, 7/8 INCH  
AND 1 INCH. LENGTH OF STITCH 2 TO 8 TO  
THE INCH. NEEDLE BAR STROKE 2-1/4 INCHES.  
CLEARANCE UNDER PRESSER FOOT 9/16 INCH.  
INDEPENDENT UPPER AND UNDER FEED.  
SPEED UP TO 500, DEPENDING ON MATERIAL  
USED AND OPERATIONS PERFORMED.

No.	Plate	Name
*19964	-----	Arm .....
8702	22809	Arm Dowel Pin (2) .....
58564	22809	Arm Oil Tube for oiling Arm Shaft Intermediate Bearing .....
50348E	22809	Arm Screw (4) .....
58678	22809	Arm Shaft .....
11354	22809	Arm Shaft Bushing .....
437AL	22809	Arm Shaft Bushing Set Screw .....
949D	22809	Arm Shaft Screw .....
9842	22809	Arm Shaft Screw Washer .....
19668	22811	Arm Side Cover .....
65D	22811	Arm Side Cover Hinge Screw .....
*19556	-----	Bed .....
58218	22812	Cloth Plate .....
51464	22812	Cloth Plate Screw (4) .....

## PARTS FOR MACHINE No. 7-58

No.	Plate	Name
11363	22809	Crank Connecting Rod with two 145E .....
145E	22809	Crank Connecting Rod Cap Screw (2) .....
565C	22809	Crank Connecting Rod Hinge Screw .....
1513J	22809	Crank Connecting Rod Hinge Screw Nut .....
58327	22814	Feed (lower) Bar .....
307C	22814	Feed (lower) Bar Screw Center (2) .....
1513J	22814	Feed (lower) Bar Screw Center Nut (2) .....
56814	-----	Feed (lower) Bar Screw Center 307C with 1513J (2) .....
11367	22809	Feed (lower) Cam with two 445C .....
445C	22809	Feed (lower) Cam Set Screw (2) .....
11368	22809	Feed (lower) Connecting Link .....
565C	22809	Feed (lower) Connecting Link Hinge Screw (2) .....
1513J	22809	Feed (lower) Connecting Link Hinge Screw Nut (2) .....
58328	22816	Feed (lower) Dog, 13 teeth (10 teeth to the inch) .....
		NOTE: When ordering No. 58328, state gauge required.
381D	22816	Feed (lower) Dog Screw (2) .....
11370	22809	Feed (lower) Forked Connection .....
58231	-----	Feed (lower) Forked Connection 11370 with 11368, 11375, 50322D and two each 565C and 1513J .....
565C	22809	Feed (lower) Forked Connection Hinge Screw .....
1513J	22809	Feed (lower) Forked Connection Hinge Screw Nut .....
19970	22814	Feed (lower) Lifting Rock Shaft with 134E, 2022 and 19967 .....
19971	-----	Feed (lower) Lifting Rock Shaft complete, Nos. 19812 and 19970 .....
19812	22814	Feed (lower) Lifting Rock Shaft Crank with 346E and 1861 .....
346E	22814	Feed (lower) Lifting Rock Shaft Crank Clamping Screw .....
1861	22814	Feed (lower) Lifting Rock Shaft Crank Roller and Stud .....
564C	22814	Feed (lower) Lifting Rock Shaft Screw Center (2) .....
58384	-----	Feed (lower) Lifting Rock Shaft Screw Center 564C with 1508E (2) .....
1508E	22814	Feed (lower) Lifting Rock Shaft Screw Center Nut (2) .....
19967	22814	Feed (lower) Lifting Rock Shaft Wearing Block .....
2022	22814	Feed (lower) Lifting Rock Shaft Wearing Block Position Pin .....
134E	22814	Feed (lower) Lifting Rock Shaft Wearing Block Screw .....

## PARTS FOR MACHINE No. 7-58

No.	Plate	Name
11375	22809	Feed (lower) Regulator .....
568E	22809	Feed (lower) Regulator Hinge Screw .....
50322D	22809	Feed (lower) Regulator Thumb Screw .....
58233	22814	Feed (lower) Rock Shaft .....
58234	-----	Feed (lower) Rock Shaft complete, Nos. 58233 and 58235 .....
58235	22814	Feed (lower) Rock Shaft Crank with 346E .....
346E	22814	Feed (lower) Rock Shaft Crank Clamping Screw .....
564C	22814	Feed (lower) Rock Shaft Screw Center (2) .....
58384	-----	Feed (lower) Rock Shaft Screw Center 564C with 1508E (2) .....
1508E	22814	Feed (lower) Rock Shaft Screw Center Nut (2) .....
19669	22820	Feed (upper) Bar .....
19670	22822	Feed (upper) Bar Guide Bracket (lower) with 456AL .....
19671	-----	Feed (upper) Bar Guide Bracket (lower) complete, for 3/4 in. to 1-1/8 in. gauge, Nos. 19670, 19672 and two 190E .....
19672	22822	Feed (upper) Bar Guide Bracket (lower) Cap .....
190E	22822	Feed (upper) Bar Guide Bracket (lower) Cap Screw (2) .....
2117	22822	Feed (upper) Bar Guide Bracket (lower) Pin .....
456AL	22822	Feed (upper) Bar Guide Bracket (lower) Set Screw .....
19673	22820	Feed (upper) Bar Guide Bracket (upper) for 3/4 in. to 1-1/8 in. gauge .....
159D	22820	Feed (upper) Bar Guide Bracket (upper) Screw (back) .....
134D	22820	Feed (upper) Bar Guide Bracket (upper) Screw (front) .....
19674	22820	Feed (upper) Bar Hinge Bracket with 145E, 795C and two 445C .....
145E	22820	Feed (upper) Bar Hinge Bracket Adjusting Screw .....
19675	22824	Feed (upper) Bar Hinge Bracket Guide Plate .....
381D	22824	Feed (upper) Bar Hinge Bracket Guide Plate Screw (2) .....
795C	22820	Feed (upper) Bar Hinge Bracket Set Screw (long) .....
445C	22820	Feed (upper) Bar Hinge Bracket Set Screw (short) (2) .....
448AL	22820	Feed (upper) Bar Hinge Bracket Support Screw .....
1520E	22820	Feed (upper) Bar Hinge Bracket Support Screw Nut .....
23D	22820	Feed (upper) Bar Hinge Screw .....

## PARTS FOR MACHINE No. 7-58

No.	Plate	Name
58511	22809	Feed (upper) Cam with two 445C .....
445C	22809	Feed (upper) Cam Set Screw (2) .....
19527	22825	Feed (upper) Connecting Link .....
65D	22825	Feed (upper) Connecting Link Hinge Screw .....
19528	22825	Feed (upper) Regulator with 231C and 453AL .....
912C	22825	Feed (upper) Regulator Adjusting Screw....
1596D	22825	Feed (upper) Regulator Adjusting Screw Nut .....
19529	22825	Feed (upper) Regulator Adjusting Screw Sleeve.....
231C	22825	Feed (upper) Regulator Adjusting Screw Stop Screw .....
3012	22825	Feed (upper) Regulator Pin .....
453AL	22825	Feed (upper) Regulator Set Screw.....
19677	22825	Feed (upper) Regulator Shaft .....
11708	22825	Feed (upper) Regulator Shaft Driving Crank with 453AL and 1804 .....
3012	22825	Feed (upper) Regulator Shaft Driving Crank Pin .....
1804	22825	Feed (upper) Regulator Shaft Driving Crank Roller and Stud .....
453AL	22825	Feed (upper) Regulator Shaft Driving Crank Set Screw .....
11698	22825	Feed (upper) Shaft .....
19678	22825	Feed (upper) Shaft Crank with 453AL, 1518E and 1845 .....
2117	22825	Feed (upper) Shaft Crank Pin .....
1845	22825	Feed (upper) Shaft Crank Roller and Screw Stud .....
1518E	22825	Feed (upper) Shaft Crank Roller and Screw Stud Nut .....
453AL	22825	Feed (upper) Shaft Crank Set Screw .....
19532	22825	Feed (upper) Shaft Driving Crank with 453AL .....
2117	22825	Feed (upper) Shaft Driving Crank Pin .....
453AL	22825	Feed (upper) Shaft Driving Crank Set Screw .....
19679	22816	Feeding Foot.....
	NOTE:	When ordering No. 19679, state gauge required.
690D	22816	Feeding Foot Screw .....
1654C	22816	Feeding Foot Screw Nut .....
26419	23969	Guide (6 in. face) .....
885D	23969	Guide Thumb Screw .....
19535	22822	Lifting Presser Bar .....
19536	-----	Lifting Presser Bar 19535 with 64052 .....
19680	23970	Lifting Presser Bar Bell Crank.....
19681	-----	Lifting Presser Bar Bell Crank complete, Nos. 611C, 19540 and 19680 .....
19539	23970	Lifting Presser Bar Bell Crank Adjusting Link .....

## PARTS FOR MACHINE No. 7-58

No.	Plate	Name
19540	-----	Lifting Presser Bar Bell Crank Adjusting Link complete, Nos. 1518E, 1828, 2718 and 19539.....
1828	23970	Lifting Presser Bar Bell Crank Adjusting Link Roller with 372C .....
372C	23970	Lifting Presser Bar Bell Crank Adjusting Link Roller Screw .....
1518E	23970	Lifting Presser Bar Bell Crank Adjusting Link Roller Screw Nut .....
2718	23970	Lifting Presser Bar Bell Crank Adjusting Link Roller Screw Nut Washer .....
611C	23970	Lifting Presser Bar Bell Crank Adjusting Link Screw .....
19682	22822	Lifting Presser Bar Bell Crank Connecting Stud with 445C and 523C .....
523C	22822	Lifting Presser Bar Bell Crank Connecting Stud Set Screw (large) .....
445C	22822	Lifting Presser Bar Bell Crank Connecting Stud Set Screw (small) .....
51260AL	23970	Lifting Presser Bar Bell Crank Hinge Screw .....
51609E	23970	Lifting Presser Bar Bell Crank Hinge Screw Nut .....
11909	22820	Lifting Presser Bar Lifter with 8761 and 8763.....
8760	22820	Lifting Presser Bar Lifter Friction Washer .....
16D	22820	Lifting Presser Bar Lifter Hinge Screw ..
8761	22820	Lifting Presser Bar Lifter Stop Pin .....
19683	22820	Lifting Presser Bar Lifting Link .....
8763	22820	Lifting Presser Bar Lifting Link Hinge Stud .....
8973	22820	Lifting Presser Bar Lifting Link Hinge Stud Pin .....
43267	22820	Lifting Presser Bar Lifting Link Hinge Stud Washer .....
257E	22822	Lifting Presser Bar Screw Bushing (lower) .....
913E	22822	Lifting Presser Bar Screw Bushing(upper) .....
11031	23971	Lifting Presser Bar Spring (flat) .....
58252	23971	Lifting Presser Bar Spring Bracket .....
1177D	23971	Lifting Presser Bar Spring Bracket Screw (2) .....
11661	23971	Lifting Presser Bar Spring Guide Pin .....
50323D	23971	Lifting Presser Bar Spring Regulating Thumb Screw .....
58677	23973	Machine Pulley (10 in. diam.) 1/2 in. "V" Belt Groove, with two 350C .....
350C	23973	Machine Pulley Set Screw (2) .....
19732	23974	Needle Bar .....
19735	-----	Needle Bar complete, with Adjustable Clamps for 3/4 in to 1-1/8 in. gauges, Nos. 19732, 19733, 19734 and two 898D .....

No.	Plate	Name
566C	23974	Needle Bar Connecting Link Hinge Screw
1513J	23974	Needle Bar Connecting Link Hinge Screw Nut
58203	-----	Needle Bar Connecting Stud with Link and 129E and 445F
129E	23974	Needle Bar Connecting Stud Clamping Screw
445F	23974	Needle Bar Connecting Stud Set Screw
257E	23974	Needle Bar Screw Bushing (2)
19733	23974	Needle Clamp (left) with 191F
19734	23974	Needle Clamp (right) with 191F
898D	23974	Needle Clamp Screw (2)
191F	23974	Needle Set Screw (2)
*58253	-----	Oil Cup
11917	22811	Oil Cup Cover
9084	22811	Oil Cup Cover Hinge Pin
2205	22811	Oil Cup Cover Latch Spring
207F	22811	Oil Cup Cover Latch Spring Screw
8953	22811	Oil or Wax Stripper (felt) (2)
11918	22811	Oil or Wax Stripper Washer (steel) for use with 11917
8482	22811	Oil or Wax Stripper Washer (steel) for use with 58253
207F	22811	Oil or Wax Stripper Washer Screw (2)
58254	22811	Oil Cup complete, Nos. 2205, 8482, 9084, 11917, 11918, 58253, two 8953 and three 207F
134D	22811	Oil Cup Screw
58573	23976	Oscillating Rock Shaft
58566	-----	Oscillating Rock Shaft complete, Nos. 1508J, 11165, 51237C, 58570, 58573 and 58586
58585	23976	Oscillating Rock Shaft Hinge Pin
58586	-----	Oscillating Rock Shaft Hinge Pin 58585 with 1508J
1508J	23976	Oscillating Rock Shaft Hinge Pin Nut
51237C	23976	Oscillating Rock Shaft Hinge Pin Screw Bearing
1508J	23976	Oscillating Rock Shaft Hinge Pin Screw Bearing Nut
11165	23976	Oscillating Rock Shaft Oil Pad
58567	23976	Oscillating Rock Shaft Oil Tube
58570	-----	Oscillating Rock Shaft Oil Tube complete, Nos. 58567, 58568 and 127848
58568	23976	Oscillating Rock Shaft Oil Tube Joint
127848	23976	Oscillating Rock Shaft Oil Tube Oil Cup
19567	23976	Oscillating Shaft
11848	23976	Oscillating Shaft Crank
19696	-----	Oscillating Shaft Crank complete, Nos. 453AL, 1513J, 5868 and 11848
40025	23976	Oscillating Shaft Crank Pin

No.	Plate	Name
453AL	23976	Oscillating Shaft Crank Set Screw
9119	23976	Oscillating Shaft Crank Slide Block
5868	-----	Oscillating Shaft Crank Slide Block complete, Nos. 190E, 1054C, 5968 and 9119
190E	23976	Oscillating Shaft Crank Slide Block Cap Screw
5968	23976	Oscillating Shaft Crank Slide Block Cap Screw Washer
1054C	23976	Oscillating Shaft Crank Slide Block Screw Stud
1513J	23976	Oscillating Shaft Crank Slide Block Screw Stud Nut
11910	23979	Shuttle (inside) Bobbin
58512	23979	Shuttle (inside) Cylinder
58513	-----	Shuttle (inside) Cylinder 58512 with 774F and 58515
58527	23979	Shuttle (inside) Cylinder Hinge Pin
58625	23979	Shuttle (inside) Cylinder Latch
12002	23979	Shuttle (inside) Cylinder Latch Pin
122419	23979	Shuttle (inside) Cylinder Latch Spring
120571	23986	Shuttle (inside) Cylinder Opener
58660	23979	Shuttle (inside) Frame
58661	-----	Shuttle (inside) Frame 58660 with 12002, 58625 and 122419
774F	23979	Shuttle (inside) Tension Regulating Screw
58515	23979	Shuttle (inside) Tension Spring
58662	23979	Shuttle (inside, cylinder) 3 in. diam. complete, Nos. 11910, 58513, 58527, 58661 and 120571
11910	23979	Shuttle (outside) Bobbin
58517	23979	Shuttle (outside) Cylinder
58518	-----	Shuttle (outside) Cylinder 58517 with 774F and 58520
58527	23979	Shuttle (outside) Cylinder Hinge Pin
58626	23979	Shuttle (outside) Cylinder Latch
12002	23979	Shuttle (outside) Cylinder Latch Pin
122419	23979	Shuttle (outside) Cylinder Latch Spring
120571	23986	Shuttle (outside) Cylinder Opener
58663	23979	Shuttle (outside) Frame
58664	-----	Shuttle (outside) Frame 58663 with 12002, 58626 and 122419
774F	23979	Shuttle (outside) Tension Regulating Screw
58520	23979	Shuttle (outside) Tension Spring
58665	23979	Shuttle (outside, cylinder) 3 in. diam. complete, Nos. 11910, 58518, 58527, 58664 and 120571
19572	23976	Shuttle Driver with 445C
		NOTE: When ordering No. 19572, state gauge required.



No.	Plate	Name
8873	23976	Shuttle Driver Pin .....
445C	23976	Shuttle Driver Set Screw .....
19575	23982	Shuttle Race Back (inside) .....
19576	23982	Shuttle Race Back (outside) .....
11833	23982	Shuttle Race Back Position Pin (4) .....
19577	23982	Shuttle Race Back Spring (2) .....
32D	23982	Shuttle Race Back Spring Screw (2) .....
19578	23982	Shuttle Race Body .....
		NOTE: When ordering No. 19578, state gauge required
19579	23982	Shuttle Race complete, Nos. 19575, 19576, 19578, two each 32D, 19577 and four 11833
		NOTE: When ordering No. 19579, state gauge required.
58277	23982	Shuttle Race Dowel Pin (2) .....
123D	23982	Shuttle Race Screw (2) .....
11241	22824	Tension Friction Washer (cloth) large .....
8879	22824	Tension Friction Washer (cloth) small (2)
		NOTE: When ordering No. 8879, state color required.
19684	22824	Tension Friction Washer (steel) .....
1535E	22824	Tension Regulating Thumb Nut .....
8787	22824	Tension Regulating Thumb Nut Washer .....
710E	22824	Tension Screw Stud .....
58599	-----	Tension Screw Stud 710E with 1535E .....
19685	22824	Tension Screw Stud Flange .....
19686	22824	Tension Spring .....
19687	22824	Tension Thread Guard .....
164D	22824	Tension Thread Guard Screw .....
41544	22824	Tension Thread Guard Screw Washer .....
58795	22824	Tension Wheel (2) .....
19889	22824	Tension (wheel) complete, Nos. 8787, 11241, 19684, 19685, 19686, 58599 and two each 8879 and 58795 .....
19689	23985	Thread Eyelet (double) top of arm .....
166D	23985	Thread Eyelet Screw .....
2102	23985	Thread Retaining Disc (4) .....
1560C	23985	Thread Retaining Regulating Thumb Nut (2)
8905	23985	Thread Retaining Regulating Thumb Nut Washer (2) .....
408E	23985	Thread Retaining Screw Stud .....
58600	-----	Thread Retaining Screw Stud 408E with 1560C .....
686E	23985	Thread Retaining Screw Stud .....
58590	-----	Thread Retaining Screw Stud 686E with 1560C .....
2103	23985	Thread Retaining Spring (2) .....
11425	23985	Thread Retaining Thread Eyelet for use with 11426 .....
11950	23985	Thread Retaining Thread Eyelet for use with 11041 .....

No.	Plate	Name
11426	23985	Thread Retainer (long stud) complete, Nos. 2103, 8905, 58600 and two 2102 .....
11041	23985	Thread Retainer (short stud) complete, Nos. 2103, 8905, 58590 and two 2102 .....
11428	22809	Thread Take-up Cam with two 434C .....
8873	22809	Thread Take-up Cam Pin .....
434C	22809	Thread Take-up Cam Set Screw (2) .....
58301	22809	Thread Take-up Lever .....
58302	-----	Thread Take-up Lever 58301 with 1995 .....
58316	-----	Thread Take-up Lever 58302 with 50437D .....
50437D	22809	Thread Take-up Lever Hinge Screw .....
1995	22809	Thread Take-up Lever Roller and Screw Stud with 1518E .....
1518E	22809	Thread Take-up Lever Roller and Screw Stud Nut .....
19690	22824	Thread Take-up Spring .....
19614	22824	Thread Take-up Spring Hook for 19691 .....
19694	22824	Thread Take-up Spring Hook for 19675 .....
19691	22824	Thread Take-up Spring Lever with 19614 and 19793 .....
19692	22824	Thread Take-up Spring Lever Regulator .....
164D	22824	Thread Take-up Spring Lever Regulator Screw .....
41544	22824	Thread Take-up Spring Lever Regulator Screw Washer .....
19793	22824	Thread Take-up Spring Lever Stop Pin .....
19693	22824	Thread Take-up Spring Lever Washer .....
19591	22816	Throat Plate Body .....
19997	22816	Throat Plate Needle Hole Strip (left) for 3/4 in. to 1 in. gauges, in steps of 1/16 in. ....
		NOTE: When ordering No. 19997, state gauge required.
19592	22816	Throat Plate Needle Hole Strip (right) for 3/4 in., 13/16 in., 7/8 in., 15/16 in. and 1 in. gauges .....
		NOTE: When ordering No. 19592, state gauge required.
401D	22816	Throat Plate Needle Hole Strip Screw (4)
19593	22816	Throat Plate complete, Nos. 19591, 19592, 19997 and four 401D, for 3/4 in. individual gauge, and from 13/16 in. to 1 in. gauges.
		NOTE: When ordering No. 19593, state gauge required.
381D	22816	Throat Plate Screw (2) .....

## LIST OF PARTS COMPLETE

FOR

MACHINE NO. 7-61

FOR GENERAL WORK IN CANVAS. TWO NEEDLES.  
TWO SHUTTLES. GAUGES 1 INCH TO 1-1/2 INCH.  
LENGTH OF STITCH 2 TO 8 TO THE INCH. NEE-  
DLE BAR STROKE 2-1/4 INCHES. CLEARANCE  
UNDER PRESSER FOOT 1/2 INCH. INDEPENDENT  
UPPER AND UNDER FEED. SPEED UP TO 500,  
DEPENDING ON MATERIAL USED AND OPERA-  
TIONS PERFORMED.

No.	Plate	Name
*58339	-----	Arm .....
19785	22810	Arm Dowel Pin (2) .....
50347E	22810	Arm Screw (4) .....
43263	22810	Arm Screw Washer (4) .....
58683	22810	Arm Shaft .....
11354	22810	Arm Shaft Bushing .....
437AL	22810	Arm Shaft Bushing Set Screw .....
949D	22810	Arm Shaft Screw .....
9842	22810	Arm Shaft Screw Washer .....
19668	22811	Arm Side Cover .....
65D	22811	Arm Side Cover Hinge Screw .....
*19756	-----	Bed .....
58387	22813	Cloth Plate for use with 58438 .....
58413	22813	Cloth Plate for use with 58425, 58429, 58457 and 58584 .....
145D	22813	Cloth Plate Screw (4) .....
19758	22810	Crank Connecting Rod with two 575E .....
575E	22810	Crank Connecting Rod Cap Screw (2) .....
1151C	22810	Crank Connecting Rod Hinge Screw .....
1646E	22810	Crank Connecting Rod Hinge Screw Nut .....
58446	22815	Feed (lower) Bar .....
307C	22815	Feed (lower) Bar Screw Center (2) .....
1513J	22815	Feed (lower) Bar Screw Center Nut (2) .....
56814	-----	Feed (lower) Bar Screw Center 307C with 1513J (2) .....
11367	22810	Feed (lower) Cam with two 445C .....
445C	22810	Feed (lower) Cam Set Screw (2) .....
11368	22810	Feed (lower) Connecting Link .....
565C	22810	Feed (lower) Connecting Link Hinge Screw (2) .....
1513J	22810	Feed (lower) Connecting Link Hinge Screw Nut (2) .....
58389	22817	Feed (lower) Dog 13 teeth (10 teeth to the inch) for 1 in. gauge .....
58414	22818	Feed (lower) Dog 16 teeth (10 teeth to the inch) for 1-1/8 in. and 1-1/4 in. gauges .....

## PARTS FOR MACHINE No. 7-61

No.	Plate	Name
58415	22819	Feed (lower) Dog 16 teeth (10 teeth to the inch) for 1-3/8 in. and 1-1/2 in. gauges ..
		NOTE: When ordering Nos. 58414 and 58415, state gauge required.
177D	22817	Feed (lower) Dog Screw (4) .....
19762	22810	Feed (lower) Forked Connection .....
58284	-----	Feed (lower) Forked Connection 19762 with 11368, 11375, 50322D and two each 565C and 1513J .....
565C	22810	Feed (lower) Forked Connection Hinge Screw .....
1513J	22810	Feed (lower) Forked Connection Hinge Screw Nut.....
58390	22815	Feed (lower) Lifting Rock Shaft with 134E, 2022 and 19967 .....
58391	-----	Feed (lower) Lifting Rock Shaft complete, Nos. 58390 and two 19819 .....
19819	22815	Feed (lower) Lifting Rock Shaft Crank with 346E and 1861 (2) .....
346E	22815	Feed (lower) Lifting Rock Shaft Crank Clamping Screw (2) .....
1861	22815	Feed (lower) Lifting Rock Shaft Crank Roller and Stud (2) .....
1015C	22815	Feed (lower) Lifting Rock Shaft Screw Center (left) .....
1503E	22815	Feed (lower) Lifting Rock Shaft Screw Center (left) Nut .....
294C	22815	Feed (lower) Lifting Rock Shaft Screw Center (right) .....
1503E	22815	Feed (lower) Lifting Rock Shaft Screw Center (right) Nut .....
19967	22815	Feed (lower) Lifting Rock Shaft Wearing Block .....
2022	22815	Feed (lower) Lifting Rock Shaft Wearing Block Position Pin .....
134E	22815	Feed (lower) Lifting Rock Shaft Wearing Block Screw .....
11375	22810	Feed (lower) Regulator .....
568E	22810	Feed (lower) Regulator Hinge Screw .....
50322D	22810	Feed (lower) Regulator Thumb Screw .....
58392	22815	Feed (lower) Rock Shaft .....
58393	-----	Feed (lower) Rock Shaft complete, Nos. 58235 and 58392 .....
58235	22815	Feed (lower) Rock Shaft Crank with 346E .....
346E	22815	Feed (lower) Rock Shaft Crank Clamping Screw .....
1015C	22815	Feed (lower) Rock Shaft Screw Center (left) .....
1503E	22815	Feed (lower) Rock Shaft Screw Center (left) Nut .....
294C	22815	Feed (lower) Rock Shaft Screw Center (right) .....

## PARTS FOR MACHINE No. 7-61

No.	Plate	Name
1503E	22815	Feed (lower) Rock Shaft Screw Center (right) Nut .....
19669	22821	Feed (upper) Bar .....
19670	22822	Feed (upper) Bar Guide Bracket (lower) with 456AL for 19671 .....
58348	22823	Feed (upper) Bar Guide Bracket (lower) with 456AL for 58349 .....
19671	-----	Feed (upper) Bar Guide Bracket (lower) complete for 3/4 in. to 1-1/8 in. gauge, Nos. 19670, 19672 and two 190E .....
19672	22822	Feed (upper) Bar Guide Bracket (lower) Cap .....
58349	-----	Feed (upper) Bar Guide Bracket (lower) complete for 1-1/4 in. to 1-1/2 in. gauge Nos. 58348, 58350 and two 190E .....
58350	22823	Feed (upper) Bar Guide Bracket (lower) Cap .....
190E	22823	Feed (upper) Bar Guide Bracket (lower) Cap Screw (2) .....
2117	22823	Feed (upper) Bar Guide Bracket (lower) Pin .....
456AL	22823	Feed (upper) Bar Guide Bracket (lower) Set Screw .....
19673	22820	Feed (upper) Bar Guide Bracket (upper) for 3/4 in. to 1-1/8 in. gauge .....
58351	22821	Feed (upper) Bar Guide Bracket (upper) with 11424 for 1-1/4 in. to 1-1/2 in. gauge .....
159D	22821	Feed (upper) Bar Guide Bracket (upper) Screw (back) .....
134D	22821	Feed (upper) Bar Guide Bracket (upper) Screw (front) .....
19674	22821	Feed (upper) Bar Hinge Bracket with 145E, 795C and two 445C .....
145E	22821	Feed (upper) Bar Hinge Bracket Adjusting Screw .....
19675	22824	Feed (upper) Bar Hinge Bracket Guide Plate .....
381D	22824	Feed (upper) Bar Hinge Bracket Guide Plate Screw (2) .....
795C	22821	Feed (upper) Bar Hinge Bracket Set Screw (long) .....
445C	22821	Feed (upper) Bar Hinge Bracket Set Screw (short) (2) .....
448AL	22821	Feed (upper) Bar Hinge Bracket Support Screw .....
1520E	22821	Feed (upper) Bar Hinge Bracket Support Screw Nut .....
23D	22821	Feed (upper) Bar Hinge Screw .....
58511	22810	Feed (upper) Cam with two 445C .....
445C	22810	Feed (upper) Cam Set Screw (2) .....
19527	22825	Feed (upper) Connecting Link .....
65D	22825	Feed (upper) Connecting Link Hinge Screw .....

## PARTS FOR MACHINE No. 7-61

No.	Plate	Name
19528	22825	Feed (upper) Regulator with 231C and 453AL .....
912C	22825	Feed (upper) Regulator Adjusting Screw....
1596D	22825	Feed (upper) Regulator Adjusting Screw Nut .....
19529	22825	Feed (upper) Regulator Adjusting Screw Sleeve .....
231C	22825	Feed (upper) Regulator Adjusting Screw Stop Screw .....
3012	22825	Feed (upper) Regulator Pin .....
453AL	22825	Feed (upper) Regulator Set Screw .....
19677	22825	Feed (upper) Regulator Shaft .....
11708	22825	Feed (upper) Regulator Shaft Driving Crank with 453AL and 1804 .....
3012	22825	Feed (upper) Regulator Shaft Driving Crank Pin .....
1804	22825	Feed (upper) Regulator Shaft Driving Crank Roller and Stud .....
453AL	22825	Feed (upper) Regulator Shaft Driving Crank Set Screw .....
11698	22825	Feed (upper) Shaft .....
19678	22825	Feed (upper) Shaft Crank with 453AL, 1518E and 1845 .....
2117	22825	Feed (upper) Shaft Crank Pin .....
1845	22825	Feed (upper) Shaft Crank Roller and Screw Stud .....
1518E	22825	Feed (upper) Shaft Crank Roller and Screw Stud Nut .....
453AL	22825	Feed (upper) Shaft Crank Set Screw .....
19532	22825	Feed (upper) Shaft Driving Crank with 453AL .....
2117	22825	Feed (upper) Shaft Driving Crank Pin .....
453AL	22825	Feed (upper) Shaft Driving Crank Set Screw .....
58352	22817	Feeding Foot .....
		NOTE: When ordering No. 58352, state gauge required.
690D	22817	Feeding Foot Screw .....
1654C	22817	Feeding Foot Screw Nut .....
26176	23969	Guide .....
885D	23969	Guide Thumb Screw .....
19535	22823	Lifting Presser Bar .....
19536	-----	Lifting Presser Bar 19535 with 64052 .....
19680	23970	Lifting Presser Bar Bell Crank .....
19681	-----	Lifting Presser Bar Bell Crank complete, Nos. 611C, 19540 and 19680 .....
19539	23970	Lifting Presser Bar Bell Crank Adjusting Link .....
19540	-----	Lifting Presser Bar Bell Crank Adjusting Link complete Nos. 1518E, 1828, 2718 and 19539 .....

## PARTS FOR MACHINE No. 7-61

No.	Plate	Name
1828	23970	Lifting Presser Bar Bell Crank Adjusting Link Roller with 372C .....
372C	23970	Lifting Presser Bar Bell Crank Adjusting Link Roller Screw .....
1518E	23970	Lifting Presser Bar Bell Crank Adjusting Link Roller Screw Nut .....
2718	23970	Lifting Presser Bar Bell Crank Adjusting Link Screw Nut Washer .....
611C	23970	Lifting Presser Bar Bell Crank Adjusting Link Screw .....
19682	22823	Lifting Presser Bar Bell Crank Connecting Stud with 445C and 523C .....
523C	22823	Lifting Presser Bar Bell Crank Connecting Stud Set Screw (large) .....
445C	22823	Lifting Presser Bar Bell Crank Connecting Stud Set Screw (small) .....
51260AL	23970	Lifting Presser Bar Bell Crank Hinge Screw .....
51609E	23970	Lifting Presser Bar Bell Crank Hinge Screw Nut .....
11909	22821	Lifting Presser Bar Lifter with 8761 and 8763 .....
8760	22821	Lifting Presser Bar Lifter Friction Washer .....
16D	22821	Lifting Presser Bar Lifter Hinge Screw ...
8761	22821	Lifting Presser Bar Lifter Stop Pin .....
19683	22821	Lifting Presser Bar Lifting Link .....
8763	22821	Lifting Presser Bar Lifting Link Hinge Stud .....
8973	22821	Lifting Presser Bar Lifting Link Hinge Stud Pin .....
43267	22821	Lifting Presser Bar Lifting Link Hinge Stud Washer .....
257E	22823	Lifting Presser Bar Screw Bushing (lower) .....
913E	22823	Lifting Presser Bar Screw Bushing (upper) .....
58434	23972	Lifting Presser Bar Spring (flat) .....
58252	23972	Lifting Presser Bar Spring Bracket .....
1177D	23972	Lifting Presser Bar Spring Bracket Screw (2) .....
11661	23972	Lifting Presser Bar Spring Guide Pin .....
50323D	23972	Lifting Presser Bar Spring Regulating Thumb Screw .....
58677	23973	Machine Pulley (10 in. diam.) 1/2 in. "V" Belt Groove, with two 350C .....
350C	23973	Machine Pulley Set Screw (2) .....
19732	23974	Needle Bar for 19735 .....
58353	23975	Needle Bar for 58354 .....
19735	-----	Needle Bar complete with Adjustable Clamps for 3/4 in. to 1-1/8 in. gauges, Nos. 19732, 19733, 19734 and two 898D ..
		NOTE: When ordering No. 19735, state gauge required.

No.	Plate	Name
58354	-----	Needle Bar complete with adjustable clamps for 1-1/4 in. to 1-1/2 in gauges, Nos. 58353, 58355, 58356 and two 898D....
		NOTE: When ordering No. 58354, state gauge required.
566C	23975	Needle Bar Connecting Link Hinge Screw
1513J	23975	Needle Bar Connecting Link Hinge Screw Nut .....
129E	23975	Needle Bar Connecting Stud Clamping Screw .....
58203	-----	Needle Bar Connecting Stud with Link and 129E and 445F .....
445F	23975	Needle Bar Connecting Stud Set Screw .....
257E	23975	Needle Bar Screw Bushing (2) .....
19733	23974	Needle Clamp (left) with 191F, for 19735
58355	23975	Needle Clamp (left) with 191F, for 58354
19734	23974	Needle Clamp (right) with 191F, for 19735
58356	23975	Needle Clamp (right) with 191F, for 58354
898D	23975	Needle Clamp Screw (2) .....
191F	23975	Needle Set Screw (2) .....
58253	-----	Oil Cup .....
11917	22811	Oil Cup Cover .....
9084	22811	Oil Cup Cover Hinge Pin.....
2205	22811	Oil Cup Cover Latch Spring .....
207F	22811	Oil Cup Cover Latch Spring Screw .....
8953	22811	Oil or Wax Stripper (felt) (2) .....
11918	22811	Oil or Wax Stripper Washer (steel) for use with 11917 .....
8482	22811	Oil or Wax Stripper Washer (steel) for use with 58253 .....
207F	22811	Oil or Wax Stripper Washer Screw (2).....
58254	22811	Oil Cup complete Nos. 2205, 9084, 11917, 11918, 58253, two 8953 and three 207F.....
134D	22811	Oil Cup Screw.....
58550	23977	Oscillating Rock Shaft .....
58551	-----	Oscillating Rock Shaft complete, Nos. 1593J, 11165, 51227C, 58550, 58555 and 58595 .....
58552	23977	Oscillating Rock Shaft Hinge Pin .....
58595	-----	Oscillating Rock Shaft Hinge Pin 58552 with 1503J .....
1503J	23977	Oscillating Rock Shaft Hinge Pin Nut .....
51227C	23977	Oscillating Rock Shaft Hinge Pin Screw Bearing .....
1503J	23977	Oscillating Rock Shaft Hinge Pin Screw Bearing Nut .....
11165	23977	Oscillating Rock Shaft Oil Pad .....
58553	23977	Oscillating Rock Shaft Oil Tube .....
58555	-----	Oscillating Rock Shaft Oil Tube Complete Nos. 58553, 58554 and 68350 .....

No.	Plate	Name
58554	23977	Oscillating Rock Shaft Oil Tube Joint .....
68350	23977	Oscillating Rock Shaft Oil Tube Oil Cup ..
19769	23977	Oscillating Shaft .....
19770	23977	Oscillating Shaft Crank with 445C .....
19789	-----	Oscillating Shaft Crank complete, Nos. 1508E, 19770 and 19773 .....
9216	23977	Oscillating Shaft Crank Pin .....
445C	23977	Oscillating Shaft Crank Set Screw .....
19771	23977	Oscillating Shaft Crank Slide Block .....
19773	-----	Oscillating Shaft Crank Slide Block complete, Nos. 164D, 1156C, 19771 and 19772 .....
164D	23977	Oscillating Shaft Crank Slide Block Cap Screw .....
19772	23977	Oscillating Shaft Crank Slide Block Cap Screw Washer .....
1156C	23977	Oscillating Shaft Crank Slide Block Screw Stud .....
1508E	23977	Oscillating Shaft Crank Slide Block Screw Stud Nut .....
16901	23980	Shuttle (inside) Bobbin .....
43274	23980	Shuttle (inside) Cylinder .....
43286	-----	Shuttle (inside) Cylinder 43274 with 1323F and 8895 .....
8777	23980	Shuttle (inside) Cylinder Hinge Pin .....
43239	23980	Shuttle (inside) Cylinder Latch .....
43236	23980	Shuttle (inside) Cylinder Latch Hinge Pin .....
19869	23980	Shuttle (inside) Cylinder Latch Spring .....
2057	23986	Shuttle (inside) Cylinder Opener .....
43240	23980	Shuttle (inside) Frame .....
43255	-----	Shuttle (inside) Frame 43240 with 19869, 43236 and 43239 .....
1323F	23980	Shuttle (inside) Tension Regulating Screw .....
8895	23980	Shuttle (inside) Tension Spring .....
43275	23980	Shuttle (inside cylinder) 4 in. diam. complete for 1 in and 1-1/8 in. gauges, Nos. 8777, 16901, 43255 and 43286 .....
16901	23981	Shuttle (inside) Bobbin .....
58357	23981	Shuttle (inside) Cylinder .....
58405	-----	Shuttle (inside) Cylinder 58357 with 1323F and 8895 .....
8777	23981	Shuttle (inside) Cylinder Hinge Pin .....
8893	23981	Shuttle (inside) Cylinder Latch Spring .....
330J	23981	Shuttle (inside) Cylinder Latch Spring Screw .....
8894	23981	Shuttle (inside) Frame .....
43250	-----	Shuttle (inside) Frame 8894 with 330J and 8893 .....
1323F	23981	Shuttle (inside) Tension Regulating Screw .....
8895	23981	Shuttle (inside) Tension Spring .....
58358	23981	Shuttle (inside cylinder) complete for 1-1/4 in. to 1-1/2 in. gauges, Nos. 8777, 16901, 43250 and 58405 .....

## PARTS FOR MACHINE No. 7-61

No.	Plate	Name
16901	23980	Shuttle (outside) Bobbin .....
43282	23980	Shuttle (outside) Cylinder .....
43287	-----	Shuttle (outside) Cylinder 43282 with 1323F and 8900 .....
8777	23980	Shuttle (outside) Cylinder Hinge Pin .....
43235	23980	Shuttle (outside) Cylinder Latch .....
43236	23980	Shuttle (outside) Cylinder Latch Hinge Pin .....
19869	23980	Shuttle (outside) Cylinder Latch Spring ....
120571	23986	Shuttle (outside) Cylinder Opener .....
43242	23980	Shuttle (outside) Frame .....
43256	-----	Shuttle (outside) Frame 43242 with 19869, 43235 and 43236 .....
1323F	23980	Shuttle (outside) Tension Regulating Screw
8900	23980	Shuttle (outside) Tension Spring .....
43283	23980	Shuttle (outside cylinder) 4 in. diam., complete for 1 in. and 1-1/8 in. gauges, Nos. 8777, 16901, 43256 and 43287 .....
16901	23981	Shuttle (outside) Bobbin .....
58359	23981	Shuttle (outside) Cylinder .....
58403	-----	Shuttle (outside) Cylinder 58359 with 1323F and 8780 .....
8777	23981	Shuttle (outside) Cylinder Hinge Pin .....
8778	23981	Shuttle (outside) Cylinder Latch Spring ....
330J	23981	Shuttle (outside) Cylinder Latch Spring Screw .....
8779	23981	Shuttle (outside) Frame .....
1323F	23981	Shuttle (outside) Tension Regulating Screw
8780	23981	Shuttle (outside) Tension Spring .....
58360	23981	Shuttle (outside, cylinder) complete for 1-1/4 in. to 1-1/2 in. gauges, Nos. 8777, 16901, 43249 and 58403 .....
19774	23977	Shuttle Driver with 445C for 1 in. to 1-1/8 in. gauges .....
		NOTE: When ordering No. 19774 state gauge required.
58361	23978	Shuttle Driver with 445C for 1-1/4 in. to 1-1/2 in. gauges. ....
		NOTE: When ordering No. 58361 state gauge required.
8055	23977	Shuttle Driver Pin .....
445C	23977	Shuttle Driver Set Screw .....
19775	23983	Shuttle Race Body, for 1 in. to 1-1/8 in. gauges .....
		NOTE: When ordering No. 19775, state gauge required.
19776	23983	Shuttle Race Ring (inside) .....
19777	23983	Shuttle Race Ring (outside) .....
134E	23983	Shuttle Race Ring Screw (6) .....

## PARTS FOR MACHINE No. 7-61

No.	Plate	Name
19778	23983	Shuttle Race complete for 1 in. to 1-1/8 in. gauges, Nos. 19775, 19776, 19777 and six 134E .....
		NOTE: When ordering No. 19778 state gauge required.
58362	23984	Shuttle Race Body for 1-1/4 in. to 1-1/2 in. gauges .....
		NOTE: When ordering No. 58362 state gauge required.
58363	23984	Shuttle Race Ring (inside) .....
58364	23984	Shuttle Race Ring (outside) .....
134E	23984	Shuttle Race Ring Screw (6) .....
58365	23984	Shuttle Race complete for 1-1/4 in. to 1-1/2 in. gauges, Nos. 58362, 58363, 58364 and six 134E .....
		NOTE: When ordering No. 58365 state gauge required.
58277	23983	Shuttle Race Dowel Pin (2) .....
123D	23983	Shuttle Race Screw (2) .....
11241	22824	Tension Friction Washer (cloth) large ....
8879	22824	Tension Friction Washer (cloth) small (2) NOTE: When ordering No. 8879, state color required.
19684	22824	Tension Friction Washer (steel) .....
1535E	22824	Tension Regulating Thumb Nut .....
8787	22824	Tension Regulating Thumb Nut Washer ....
710E	22824	Tension Screw Stud .....
58599	-----	Tension Screw Stud 710E with 1535E .....
19685	22824	Tension Screw Stud Flange .....
19686	22824	Tension Spring .....
19687	22824	Tension Thread Guard .....
164D	22824	Tension Thread Guard Screw .....
41544	22824	Tension Thread Guard Screw Washer .....
58795	22824	Tension Wheel (2) .....
19889	22824	Tension (wheel) complete, Nos. 8787, 11241, 19684, 19685, 19686, 58599 and two each 8879 and 58795 .....
11424	22821	Thread Eyelet for 58351 .....
19689	23985	Thread Eyelet (double) top of arm .....
166D	23985	Thread Eyelet Screw .....
2102	23985	Thread Retaining Disc (4) .....
1560C	23985	Thread Retaining Regulating Thumb Nut (2)
8905	23985	Thread Retaining Regulating Thumb Nut Washer (2) .....
408E	23985	Thread Retaining Screw Stud .....
58600	-----	Thread Retaining Screw Stud 408E with 1560C .....
686E	23985	Thread Retaining Screw Stud .....
58590	-----	Thread Retaining Screw Stud 686E with 1560C .....

## PARTS FOR MACHINE No. 7-61

No.	Plate	Name
2103	23985	Thread Regulating Spring (2) .....
11425	23985	Thread Retaining Thread Eyelet for use with 11426 .....
11950	23985	Thread Retaining Thread Eyelet for use with 11041 .....
11426	23985	Thread Retainer (long stud) complete, Nos. 2103, 8905, 58600 and two 2102 .....
11041	23985	Thread Retainer (short stud) complete, Nos. 2103, 8905, 58590 and two 2102 .....
58412	22810	Thread Take-up Cam (steel) with two 434C
8873	22810	Thread Take-up Cam Pin .....
434C	22810	Thread Take-up Cam Set Screw (2) .....
58680	22810	Thread Take-up Lever .....
58681	-----	Thread Take-up Lever 58680 with 1995 ....
58682	-----	Thread Take-up Lever 58681 with 50437D
50437D	22810	Thread Take-up Lever Hinge Screw .....
1995	22810	Thread Take-up Lever Roller and Screw Stud with 1518E .....
1518E	22810	Thread Take-up Lever Roller and Screw Stud Nut .....
19690	22824	Thread Take-up Spring .....
19614	22824	Thread Take-up Spring Hook for 19691 .....
19694	22824	Thread Take-up Spring Hook for 19675 .....
19691	22824	Thread Take-up Spring Lever with 19614 and 19793 .....
19692	22824	Thread Take-up Spring Lever Regulator ..
164D	22824	Thread Take-up Spring Lever Regulator Screw .....
41544	22824	Thread Take-up Spring Lever Regulator Screw Washer .....
19793	22824	Thread Take-up Spring Lever Stop Pin .....
19693	22824	Thread Take-up Spring Lever Washer .....
58435	22817	Throat Plate Body for 58438 .....
58454	22818	Throat Plate Body for 58457 and 58584 ....
58422	22819	Throat Plate Body for 58425 .....
58426	22819	Throat Plate Body for 58429 .....
58583	22818	Throat Plate Needle Hole Strip for 58584 (2) .....
58436	22817	Throat Plate Needle Hole Strip (left) for 58438 .....
58455	22818	Throat Plate Needle Hole Strip (left) for 58457 .....
58423	22819	Throat Plate Needle Hole Strip (left) for 58425 .....
58427	22819	Throat Plate Needle Hole Strip (left) for 58429 .....
58437	22817	Throat Plate Needle Hole Strip (right) for 58438 .....
58456	22818	Throat Plate Needle Hole Strip (right) for 58457 .....

## PARTS FOR MACHINE No. 7-61

No.	Plate	Name
58424	22819	Throat Plate Needle Hole Strip (right) for 58425 .....
58428	22819	Throat Plate Needle Hole Strip (right) for 58429 .....
742F	22817	Throat Plate Needle Hole Strip Screw for 58438, 58457 and 58584 (4) .....
691AL	22819	Throat Plate Needle Hole Strip Screw for 58425 and 58429 (4) .....
58438	22817	Throat Plate complete for 1 in. gauge, for use with 58389, Nos. 58435, 58436, 58437 and four 742F .....
58457	22818	Throat Plate complete for 1-1/8 in. gauge, for use with 58414, Nos. 58454, 58455, 58456 and four 742F .....
58584	22818	Throat Plate complete for 1-1/4 in. gauge, for use with 58414, Nos. 58454, two 58583 and four 742F .....
58425	22819	Throat Plate complete for 1-3/8 in. gauge, for use with 58415, Nos. 58422, 58423, 58424 and four 691AL .....
58429	22819	Throat Plate complete for 1-1/2 in. gauge, for use with 58415, Nos. 58426, 58427, 58428 and four 691AL .....
51062D	22817	Throat Plate Screw (2) .....

## ACCESSORIES

No.	Plate	Name
11361	23986	Bed Bracket (left) with wood screw 1 in. No. 16 (2) .....
11360	23986	Bed Bracket (right) with wood screw 1 in. No. 16 (2) .....
51074E	23986	Bed Bracket Bolt with 51581E (4) .....
51581E	23986	Bed Bracket Bolt Nut (4) .....
120344	23986	Oiler (copper plated) with 120345 .....
120345	23986	Oiler Spout.....
11831	23986	Screw Driver (large) .....
26026	23986	Screw Driver (small) .....
8908	23986	Wrench for 1520 .....
8909	23986	Wrench for 1513, 1518 and 50323 .....
8910	23986	Wrench for 1508 .....
8911	23986	Wrench for 1503 .....
23535	23986	Wrench for 346 .....

## BOBBIN WINDER

(swinging automatic, left hand)

For No. 7-58 Machine

No.	Plate	Name
41894	23987	Base with 449AL .....
894E	23987	Base Screw (3) .....
41895	23987	Bobbin Carrier Key .....
151114	23973	Bracket .....
140370D	23973	Bracket Screw .....
9842	23973	Bracket Screw Washer .....
41896	23987	Frame .....
41441	23987	Frame Hinge Pin .....
449AL	23987	Frame Hinge Pin Set Screw .....
4784	23987	Frame Oil Pad (felt) (2) .....
41897	23987	Frame Spring .....
43270	23987	Friction Pulley with 43271, two 448AL and ten 5604 .....
43271	23987	Friction Pulley Ring (leather) .....
5604	23987	Friction Pulley Ring Rivet (10) .....
448AL	23987	Friction Pulley Set Screw (2) .....
41898	23987	Spindle with 41895 .....
41557	23987	Stop Latch .....
151147	-----	Stop Latch 41557 with 2269 and 41446 .....
41446	23987	Stop Latch Hinge Pin .....
2269	23987	Stop Latch Pin .....
41899	23987	Tripping Arm with 176E .....
176E	23987	Tripping Arm Clamping Screw .....
41900	23987	Bobbin Winder, Nos. 41441, 41894, 41896, 41897, 41898, 41899, 43270, 151147 and two 4784 .....



**BOBBIN WINDER**  
(Automatic left hand)  
for No. 7-61 Machine

No.	Plate	Name
41894	23988	Base with 449AL .....
894E	23988	Base Screw (3) .....
60213	23988	Bobbin Position Pin .....
151114	23973	Bracket .....
140370D	23973	Bracket Screw .....
9842	23973	Bracket Screw Washer .....
41896	23988	Frame .....
41441	23988	Frame Hinge Pin .....
449AL	23988	Frame Hinge Pin Set Screw .....
4784	23988	Frame Oil Pad (felt) (2) .....
41897	23988	Frame Spring .....
43270	23988	Friction Pulley with 43271, two 448AL and ten 5604 .....
43271	23988	Friction Pulley Ring (leather) .....
5604	23988	Friction Pulley Ring Rivet (10) .....
448AL	23988	Friction Pulley Set Screw (2) .....
60214	23988	Spindle .....
454AL	23988	Spindle Set Screw .....
60215	23988	Spindle Shaft with 454AL and 60213 .....
60216	23988	Stop Latch .....
11107	23988	Stop Latch Hinge Pin .....
2269	23988	Stop Latch Pin .....
41899	23988	Tripping Arm with 176E .....
176E	23988	Tripping Arm Clamping Screw .....
60217	23988	Bobbin Winder, Nos. 2269, 11107, 41441, 41894, 41896, 41897, 41899, 43270, 60214, 60215, 60216 and two 4784 .....

**FOOT LIFTER PARTS**

No.	Plate	Name
13351	23989	Chain, length 46 in. to 55 in., with 56864 and 56865 .....
	NOTE:	When ordering No. 13351 give length required.
4879	23989	Chain Connecting Link .....
56864	23989	Chain Hook (large) .....
56865	23989	Chain Hook (small) .....
64052	22822	Lifting Collar with 1149AL .....
1149AL	22822	Lifting Collar Set Screw .....
58311	23971	Lifting Lever .....
8055	23971	Lifting Lever Hinge Pin .....
19520	23971	Lifting Lever Spring .....
32D	23971	Lifting Lever Spring Screw .....
4881	23989	Treadle .....

**FOOT LIFTER PARTS**  
(Continued)

No.	Plate	Name
4882	23989	Treadle Shaft .....
4883	23989	Treadle Spring .....
4884	23989	Treadle Stand .....
4885	23989	Treadle complete, Nos. 4879, 4881, 4882, 4883, 4884 and two wood screws 1 in. No. 16 .....

**THREAD UNWINDER PARTS**

No.	Plate	Name
27306	23990	Spool Pin (3) .....
27777	23990	Spool Rest .....
27778	-----	Spool Rest 27777 with 168J and three 27306 .....
168J	23990	Spool Rest Set Screw .....
259658	23990	Spool Stand with 200383C .....
2102	23990	Tension Disc (2) .....
1560C	23990	Tension Regulating Thumb Nut .....
828C	23990	Tension Screw Stud .....
42418	-----	Tension Screw Stud 828C with 1560C .....
2103	23990	Tension Spring .....
5769	23990	Tension Thread Eyelet .....
17547	23990	Tension Thread Guard .....
60610	23990	Thread Guard .....
27560	23990	Thread Guard Rod, 26 in. long .....
200383C	23990	Thread Guard Rod, Set Screw .....
330E	23990	Thread Guard Set Screw .....
60611	-----	Thread Guard complete, Nos. 330E, 2103, 5769, 17547, 42418, 60610 and two 2102
60612	23990	Thread Unwinder complete for three spools Nos. 27560, 27778, 60611, 259658 and three wood screws 1-1/4 in. No. 12

NUMERICAL LIST OF PARTS

No.	Plate	Name
16D	22820	Lifting Presser Bar Lifter Hinge Screw ....
23D	22820	Feed (upper) Bar Hinge Screw .....
32D	23982	Shuttle Race Back Spring Screw for 19579
32D	23971	Foot Lifter Lifting Lever Spring Screw ....
65D	22811	Arm Side Cover Hinge Screw .....
65D	22825	Feed (upper) Connecting Link Hinge Screw
123D	23982	Shuttle Race Screw .....
129E	23974	Needle Bar Connecting Stud Clamping Screw for 58203 .....
134E	22814	Feed (lower) Lifting Rock Shaft Wearing Block Screw for 19970 and 58390 .....
134D	22820	Feed (upper) Bar Guide Bracket (upper) Screw (front) .....
134D	22811	Oil Cup Screw .....
134E	23983	Shuttle Race Ring Screw for 19778 and 58365 .....
145D	22813	Cloth Plate Screw for No. 7-61 Machine ..
145E	22809	Crank Connecting Rod Cap Screw for 11363 .....
145E	22820	Feed (upper) Bar Hinge Bracket Adjusting Screw for 19674 .....
159D	22820	Feed (upper) Bar Guide Bracket (upper) Screw (back) .....
164D	23977	Oscillating Shaft Crank Slide Block Cap Screw for 19773 .....
164D	22824	Tension Thread Guard Screw .....
164D	22824	Thread Take-up Spring Lever Regulator Screw .....
166D	23985	Thread Eyelet Screw .....
168J	23990	Thread Unwinder Spool Rest Set Screw for 27778 .....
176E	23987	Bobbin Winder Tripping Arm Clamping Screw for 41899 .....
177D	22817	Feed (lower) Dog Screw for No. 7-61 Machine .....
190E	22822	Feed (upper) Bar Guide Bracket (lower) Cap Screw for 19671 and 58349 .....
190E	23976	Oscillating Shaft Crank Slide Block Cap Screw for 5868 .....
191F	23974	Needle Set Screw for 19733, 19734, 58355 and 58356 .....
207F	22811	Oil Cup Cover Latch Spring Screw for 58254 .....
207F	22811	Oil or Wax Stripper Washer Screw for 58254 .....
231C	22825	Feed (upper) Regulator Adjusting Screw Stop Screw for 19528 .....
257E	22822	Lifting Presser Bar Screw Bushing (lower)
257E	23974	Needle Bar Screw Bushing .....
294C	22815	Feed (lower) Lifting Rock Shaft Screw Center (right) for 7-61 Machine .....

No.	Plate	Name
294C	22815	Feed (lower) Rock Shaft Screw Center (right) for No. 7-61 Machine .....
307C	22814	Feed (lower) Bar Screw Center for 56814
330J	23981	Shuttle (inside) Cylinder Latch Spring Screw for 43250 .....
330J	23981	Shuttle (outside) Cylinder Latch Spring Screw for 43249 .....
330J	23990	Thread Unwinder Thread Guard Set Screw for 60611 .....
346E	22814	Feed (lower) Lifting Rock Shaft Crank Clamping Screw for 19812 and 19819 .....
346E	22814	Feed (lower) Rock Shaft Crank Clamping Screw for 58235 .....
350C	23973	Machine Pulley Set Screw for 58677 .....
372C	23970	Lifting Presser Bar Bell Crank Adjusting Link Roller Screw for 1828 .....
381D	22816	Feed (lower) Dog Screw for No. 7-58 Machine .....
381D	22824	Feed (upper) Bar Hinge Bracket Guide Plate Screw .....
381D	22816	Throat Plate Screw for No. 7-58 Machine
401D	22816	Throat Plate Needle Hole Strip Screw for 19593 .....
408E	23985	Thread Retaining Screw Stud for 58600 .....
434C	22809	Thread Take-up Cam Set Screw for 11429 and 58412 .....
437AL	22809	Arm Shaft Bushing Set Screw .....
445C	22809	Feed (lower) Cam Set Screw for 11367 .....
445C	22820	Feed (upper) Bar Hinge Bracket Set Screw (short) for 19674 .....
445C	22809	Feed (upper) Cam Set Screw for 58511 .....
445C	22822	Lifting Presser Bar Bell Crank Connecting Stud Set Screw (small) for 19682 .....
445F	23974	Needle Bar Connecting Stud Set Screw for 58203 .....
445C	23977	Oscillating Shaft Crank Set Screw for 19770 .....
445C	23976	Shuttle Driver Set Screw for 19572, 19774 and 58361 .....
448AL	22820	Feed (upper) Bar Hinge Bracket Support Screw .....
448AL	23987	Bobbin Winder Friction Pulley Set Screw for 43270 .....
449AL	23987	Bobbin Winder Frame Hinge Pin Set Screw for 41894 .....
453AL	22825	Feed (upper) Regulator Set Screw for 19528 .....
453AL	22825	Feed (upper) Regulator Shaft Driving Crank Set Screw for 11708 .....
453AL	22825	Feed (upper) Shaft Crank Set Screw for 19678 .....

No.	Plate	Name
453AL	22825	Feed (upper) Shaft Driving Crank Set Screw for 19532 .....
453AL	23976	Oscillating Shaft Crank Set Screw for 19696 .....
454AL	23988	Spindle Set Screw for 60215 .....
456AL	22822	Feed (upper) Bar Guide Bracket (lower) Set Screw for 19670 and 58348 .....
523C	22822	Lifting Presser Bar Bell Crank Connecting Stud Set Screw (large) for 19682 .....
564C	22814	Feed (lower) Lifting Rock Shaft Screw Center for 58384 .....
564C	22814	Feed (lower) Rock Shaft Screw Center for 58384 .....
565C	22809	Crank Connecting Rod Hinge Screw for No. 7-58 Machine .....
565C	22809	Feed (lower) Connecting Link Hinge Screw for 58231 and 58284 .....
565C	22809	Feed (lower) Forked Connection Hinge Screw .....
566C	23974	Needle Bar Connecting Link Hinge Screw
568E	22809	Feed (lower) Regulator Hinge Screw .....
575E	22810	Crank Connecting Rod Cap Screw for 19758 .....
611C	23970	Lifting Presser Bar Bell Crank Adjusting Link Screw for 19681 .....
686E	23985	Thread Retaining Screw Stud for 58590 .....
690D	22816	Feeding Foot Screw .....
691AL	22819	Throat Plate Needle Hole Strip Screw for 58425 and 58429 .....
710E	22824	Tension Screw Stud for 58599 .....
742F	22817	Throat Plate Needle Hole Strip Screw for 58438, 58457 and 58584 .....
774F	23979	Shuttle (inside) Tension Regulating Screw for 58513 .....
774F	23979	Shuttle (outside) Tension Regulating Screw for 58518 .....
795C	22820	Feed (upper) Bar Hinge Bracket Set Screw (long) for 19674 .....
828C	23990	Thread Unwinder Tension Screw Stud for 42418 .....
885D	23969	Guide Thumb Screw .....
894E	23987	Bobbin Winder Base Screw .....
898D	23974	Needle Clamp Screw for 19735 and 58354
912C	22825	Feed (upper) Regulator Adjusting Screw ..
913E	22822	Lifting Presser Bar Screw Bushing (upper)
949D	22809	Arm Shaft Screw .....
1015C	22815	Feed (lower) Lifting Rock Shaft Screw Center (left) for No. 7-61 Machine .....
1015C	22815	Feed (lower) Rock Shaft Screw Center (left) for No. 7-61 Machine .....

## NUMERICAL LIST OF PARTS

No.	Plate	Name
1054C	23976	Oscillating Shaft Crank Slide Block Screw Stud for 5868 .....
1149AL	22822	Foot Lifter Lifting Collar Set Screw for 64052 .....
1151C	22810	Crank Connecting Rod Hinge Screw for No. 7-61 Machine .....
1156C	23977	Oscillating Shaft Crank Slide Block Screw Stud for 19773 .....
1177D	23971	Lifting Presser Bar Spring Bracket Screw
1323F	23980	Shuttle (inside) Tension Regulating Screw for 43286 and 58405 .....
1323F	23980	Shuttle (outside) Tension Regulating Screw for 43287 and 58403 .....
1503E	22815	Feed (lower) Lifting Rock Shaft Screw Center (left) Nut for No. 7-61 Machine ....
1503E	22815	Feed (lower) Lifting Rock Shaft Screw Center (right) Nut for No. 7-61 Machine ....
1503E	22815	Feed (lower) Rock Shaft Screw Center (left) Nut for No. 7-61 Machine .....
1503E	22815	Feed (lower) Rock Shaft Screw Center (right) Nut for No. 7-61 Machine .....
1503J	23977	Oscillating Rock Shaft Hinge Pin Nut for 58595 .....
1503J	23977	Oscillating Rock Shaft Hinge Pin Screw Bearing Nut for 58551 .....
1508E	22814	Feed (lower) Lifting Rock Shaft Screw Center Nut for 58384 .....
1508E	22814	Feed (lower) Rock Shaft Screw Center Nut for 58384.....
1508J	23976	Oscillating Rock Shaft Hinge Pin Nut for 58586 .....
1508J	23976	Oscillating Rock Shaft Hinge Pin Screw Bearing Nut for 58566 .....
1508E	23977	Oscillating Shaft Crank Slide Block Screw Stud Nut for 19789 .....
1513J	22809	Crank Connecting Rod Hinge Screw Nut for No. 7-58 Machine .....
1513J	22814	Feed (lower) Bar Screw Center Nut for 56814 .....
1513J	22809	Feed (lower) Connecting Link Hinge Screw Nut for 58231 and 58284 .....
1513J	22809	Feed (lower) Forked Connection Hinge Screw Nut .....
1513J	23974	Needle Bar Connecting Link Hinge Screw Nut .....
1513J	23976	Oscillating Shaft Crank Slide Block Screw Stud Nut for 19696 .....
1518E	22825	Feed (upper) Shaft Crank Roller and Screw Stud Nut for 19678 .....
1518E	23970	Lifting Presser Bar Bell Crank Adjusting Link Roller Screw Nut for 19540 .....

## NUMERICAL LIST OF PARTS

No.	Plate	Name
1518E	22809	Thread Take-up Lever Roller and Screw Stud Nut for 1995 .....
1520E	22820	Feed (upper) Bar Hinge Bracket Support Screw Nut .....
1535E	22824	Tension Regulating Thumb Nut for 58599
1560C	23985	Thread Retaining Regulating Thumb Nut for 58590 and 58600 .....
1560C	23990	Thread Unwinder Tension Regulating Thumb Nut for 42418 .....
1596D	22825	Feed (upper) Regulator Adjusting Screw Nut .....
1646E	22810	Crank Connecting Rod Hinge Screw Nut for No 7-61 Machine .....
1654C	22816	Feeding Foot Screw Nut .....
1804	22825	Feed (upper) Regulator Shaft Driving Crank Roller and Stud for 11708 .....
1828	23970	Lifting Presser Bar Bell Crank Adjusting Link Roller with 372C, for 19540 .....
1845	22825	Feed (upper) Shaft Crank Roller and Screw Stud for 19678 .....
1861	22814	Feed (lower) Lifting Rock Shaft Crank Roller and Stud for 19812 and 19819 .....
1995	22809	Thread Take-up Lever Roller and Screw Stud with 1518E, for 58302 and 58681 .....
2022	22814	Feed (lower) Lifting Rock Shaft Wearing Block Position Pin for 19970 and 58390
2102	23985	Thread Retaining Disc for 11041 and 11426 .....
2102	23990	Thread Unwinder Tension Disc for 60611
2103	23985	Thread Retaining Spring for 11041 and 11426 .....
2103	23990	Thread Unwinder Tension Spring for 60611
2117	22822	Feed (upper) Bar Guide Bracket (lower) Pin .....
2117	22825	Feed (upper) Shaft Crank Pin .....
2117	22825	Feed (upper) Shaft Driving Crank Pin ....
2205	22811	Oil Cup Cover Latch Spring for 58254 .....
2269	23987	Bobbin Winder Stop Latch Pin for 60217 and 151147 .....
2718	23970	Lifting Presser Bar Bell Crank Adjusting Link Roller Screw Nut Washer for 19540
3012	22825	Feed (upper) Regulator Pin .....
3012	22825	Feed (upper) Regulator Shaft Driving Crank Pin .....
4784	23987	Bobbin Winder Frame Oil Pad (felt) for 41900 and 60217 .....
4879	23989	Foot Lifter Chain Connecting Link for 4885 .....
4881	23989	Foot Lifter Treadle for 4885 .....
4882	23989	Foot Lifter Treadle Shaft for 4885 .....

## NUMERICAL LIST OF PARTS

No.	Plate	Name
4883	23989	Foot Lifter Treadle Spring for 4885 .....
4884	23989	Foot Lifter Treadle Stand for 4885 .....
4885	23989	Foot Lifter Treadle complete Nos. 4879, 4881, 4882, 4883, 4884 and two wood screws 1 in. No. 16 .....
5604	23987	Bobbin Winder Friction Pulley Ring Rivet for 43270 .....
5769	23990	Thread Unwinder Tension Thread Eyelet for 60611 .....
5868	-----	Oscillating Shaft Crank Slide Block complete, for 19696, Nos. 190E, 1054C, 5968 and 9119 .....
5968	23976	Oscillating Shaft Crank Slide Block Cap Screw Washer for 5868 .....
8055	23977	Shuttle Driver Pin for No. 7-61 Machine ..
8055	23971	Foot Lifter Lifting Lever Hinge Pin .....
8482	22811	Oil or Wax Stripper Washer (steel) for use with 58253, for 58254 .....
8702	22809	Arm Dowel Pin for No. 7-58 Machine .....
8760	22820	Lifting Presser Bar Lifter Friction Washer
8761	22820	Lifting Presser Bar Lifter Stop Pin for 11909 .....
8763	22820	Lifting Presser Bar Lifting Link Hinge Stud for 11909 .....
8777	23980	Shuttle (inside) Cylinder Hinge Pin for 43275 and 58358 .....
8777	23980	Shuttle (outside) Cylinder Hinge Pin for 43283 and 58360 .....
8778	23981	Shuttle (outside) Cylinder Latch Spring for 43249 .....
8779	23981	Shuttle (outside) Frame for 43249 .....
8780	23981	Shuttle (outside) Tension Spring for 58403 .....
8787	22824	Tension Regulating Thumb Nut Washer for 19889 .....
8873	23976	Shuttle Driver Pin for No. 7-58 Machine ..
8873	22809	Thread Take-up Cam Pin .....
8879	22824	Tension Friction Washer (cloth) small for 19889 .....
		NOTE: When ordering No. 8879, state color required.
8893	23981	Shuttle (inside) Cylinder Latch Spring for 43250 .....
8894	23981	Shuttle (inside) Frame for 43250 .....
8895	23980	Shuttle (inside) Tension Spring for 43286 and 58405 .....
8900	23980	Shuttle (outside) Tension Spring for 43287 .....
8905	23985	Thread Retaining Regulating Thumb Nut Washer for 11041 and 11426 .....

## NUMERICAL LIST OF PARTS

No.	Plate	Name
8908	23986	Wrench for 1520 (Accessories) .....
8909	23986	Wrench for 1513, 1518 and 50323 (Accessories) .....
8910	23986	Wrench for 1508 (Accessories) .....
8911	23986	Wrench for 1503, for No. 7-61 Machine (Accessories) .....
8953	22811	Oil or Wax Stripper (felt) for 58254 .....
8973	22820	Lifting Presser Bar Lifting Link Hinge Stud Pin .....
9084	22811	Oil Cup Cover Hinge Pin for 58254 .....
9119	23976	Oscillating Shaft Crank Slide Block for 5868 .....
9216	23977	Oscillating Shaft Crank Pin for No. 7-61 Machine .....
9842	22809	Arm Shaft Screw Washer .....
9842	23973	Bobbin Winder Bracket Screw Washer .....
11031	23971	Lifting Presser Bar Spring (flat) for No. 7-58 Machine .....
11041	23985	Thread Retainer (short stud) complete, Nos. 2103, 8905, 58590 and two 2102.....
11107	23988	Bobbin Winder Stop Latch Hinge Pin for 60217 .....
11165	23976	Oscillating Rock Shaft Oil Pad for 58551 and 58566 .....
11241	22824	Tension Friction Washer (cloth) large for 19889 .....
11354	22809	Arm Shaft Bushing .....
11360	23986	Bed Bracket (right) with wood screw 1 in. No. 16 (Accessories) .....
11361	23986	Bed Bracket (left) with wood screw 1 in. No. 16 (Accessories) .....
11363	22809	Crank Connecting Rod with two 145E, for No. 7-58 Machine .....
11367	22809	Feed (lower) Cam with two 445C .....
11368	22809	Feed (lower) Connecting Link for 58231 and 58284 .....
11370	22809	Feed (lower) Forked Connection for 58231 .....
11375	22809	Feed (lower) Regulator for 58231 and 58284 .....
11424	22821	Thread Eyelet for 58351 .....
11425	23985	Thread Retaining Thread Eyelet for use with 11426 .....
11426	23985	Thread Retainer (long stud) complete, Nos. 2103, 8905, 58600 and two 2102 .....
11428	22809	Thread Take-up Cam with two 434C, for No. 7-58 Machine .....
11661	23971	Lifting Presser Bar Spring Guide Pin .....
11698	22825	Feed (upper) Shaft .....
11708	22825	Feed (upper) Regulator Shaft Driving Crank with 453AL and 1804 .....

## NUMERICAL LIST OF PARTS

No.	Plate	Name
11831	23986	Screw Driver (large) Accessories .....
11833	23982	Shuttle Race Back Position Pin for 19579 .....
11848	23976	Oscillating Shaft Crank for 19696 .....
11909	22820	Lifting Presser Bar Lifter with 8761 and 8763 .....
11910	23979	Shuttle (inside) Bobbin for 58662 .....
11910	23979	Shuttle (outside) Bobbin for 58665 .....
11917	22811	Oil Cup Cover for 58254 .....
11918	22811	Oil or Wax Stripper Washer (steel) for use with 11917, for 58254 .....
11950	23985	Thread Retaining Thread Eyelet for use with 11041 .....
12002	23979	Shuttle (inside) Cylinder Latch Pin for 58661 .....
12002	23979	Shuttle (outside) Cylinder Latch Pin for 58664 .....
13351	23989	Foot Latch Chain, length 46 in. to 55 in., with 56864 and 56865 .....
		NOTE: When ordering No. 13351, give length required.
16901	23980	Shuttle (inside) Bobbin for 43275 and 58358 .....
16901	23980	Shuttle (outside) Bobbin for 43283 and 58360 .....
17547	23990	Thread Unwinder Tension Thread Guard for 60611 .....
19520	23971	Foot Lifter Lifting Lever Spring .....
19527	22825	Feed (upper) Connecting Link .....
19528	22825	Feed (upper) Regulator with 231C and 453AL .....
19529	22825	Feed (upper) Regulator Adjusting Screw Sleeve .....
19532	22825	Feed (upper) Shaft Driving Crank with 453AL .....
19535	22822	Lifting Presser Bar for 19536 .....
19536	-----	Lifting Presser Bar 19535 with 64052 .....
19539	23970	Lifting Presser Bar Bell Crank Adjusting Link for 19540 .....
19540	-----	Lifting Presser Bar Bell Crank Adjusting Link complete for 19681, Nos. 1518E, 1828, 2718 and 19539 .....
*19556	-----	Bed for No. 7-58 Machine .....
19567	23976	Oscillating Shaft for No. 7-58 Machine .....
19572	23976	Shuttle Driver with 445C, for No. 7-58 Machine .....
		NOTE: When ordering No. 19572, state gauge required.
19575	23982	Shuttle Race Back (inside) for 19579 .....
19576	23982	Shuttle Race Back (outside) for 19579 .....
19577	23982	Shuttle Race Back Spring for 19579 .....

## NUMERICAL LIST OF PARTS

No.	Plate	Name
19578	23982	Shuttle Race Body for 19579 .....
		NOTE: When ordering No. 19578, state gauge required.
19579	23982	Shuttle Race complete, for No. 7-58 Machine, Nos. 19575, 19576, 19578, two each 32D, 19577 and four 11833 .....
		NOTE: When ordering No. 19579, state gauge required.
19591	22816	Throat Plate Body for 19593 .....
19592	22816	Throat Plate Needle Hole Strip (right) for 3/4 in., 13/16 in., 7/8 in., 15/16 in. and 1 in. gauges, for 19593 .....
		NOTE: When ordering No. 19592, state gauge required.
19593	22816	Throat Plate complete, for No. 7-58 Machine, Nos. 19591, 19592, 19997 and four 401D, for 3/4 in. individual gauge and from 13/16 in. to 1 in. gauges .....
		NOTE: When ordering No. 19593, state gauge required.
19614	22824	Thread Take-up Spring Hook for 19691 .....
19668	22811	Arm Side Cover .....
19669	22820	Feed (upper) Bar .....
19670	22822	Feed (upper) Bar Guide Bracket (lower) with 456AL, for 19671 .....
19671	-----	Feed (upper) Bar Guide Bracket (lower) complete, for 3/4 in. to 1-1/8 in. gauges, Nos. 19670, 19672 and two 190E .....
19672	22822	Feed (upper) Bar Guide Bracket (lower) Cap for 19671 .....
19673	22820	Feed (upper) Bar Guide Bracket (upper) for 3/4 in. to 1-1/8 in. gauges .....
19674	22820	Feed (upper) Bar Hinge Bracket with 145E, 795C and two 445C .....
19675	22824	Feed (upper) Bar Hinge Bracket Guide Plate .....
19677	22825	Feed (upper) Regulator Shaft .....
19678	22825	Feed (upper) Shaft Crank with 453AL, 1518E and 1845 .....
19679	22816	Feeding Foot for No. 7-58 Machine .....
		NOTE: When ordering No. 19679, state gauge required.
19680	23970	Lifting Presser Bar Bell Crank for 19681 .....
19681	-----	Lifting Presser Bar Bell Crank complete, Nos. 611C, 19540 and 19680 .....
19682	22822	Lifting Presser Bar Bell Crank Connecting Stud with 445C and 523C .....
19683	22820	Lifting Presser Bar Lifting Link .....
19684	22824	Tension Friction Washer (steel) for 19889 .....
19685	22824	Tension Screw Stud Flange for 19889 .....

## NUMERICAL LIST OF PARTS

No.	Plate	Name
19686	22824	Tension Spring for 19889 .....
19687	22824	Tension Thread Guard .....
19689	23985	Thread Eyelet (double) top of arm .....
19690	22824	Thread Take-up Spring .....
19691	22824	Thread Take-up Spring Lever with 19614 and 19793 .....
19692	22824	Thread Take-up Spring Lever Regulator ..
19693	22824	Thread Take-up Spring Lever Washer .....
19694	22824	Thread Take-up Spring Hook for 19675 ..
19696	-----	Oscillating Shaft Crank complete, for No. 7-58 Machine, Nos. 453AL, 1513J, 5868 and 11848 .....
19732	23974	Needle Bar for 19735 .....
19733	23974	Needle Clamp (left) with 191F, for 19735 ..
19734	23974	Needle Clamp (right) with 191F, for 19735 ..
19735	-----	Needle Bar complete, with adjustable clamps for 3/4 in. to 1-1/8 in. gauges, Nos. 19732, 19733, 19734 and two 898D ..
		NOTE: When ordering No. 19735, state gauge required.
*19756	-----	Bed for No. 7-61 Machine .....
19758	22810	Crank Connecting Rod with two 575E, for No. 7-61 Machine .....
19762	22810	Feed (lower) Forked Connection for 58284 ..
19769	23977	Oscillating Shaft for No. 7-61 Machine ..
19770	23977	Oscillating Shaft Crank with 445C, for 19789 .....
19771	23977	Oscillating Shaft Crank Slide Block for 19773 .....
19772	23977	Oscillating Shaft Crank Slide Block Cap Screw Washer for 19773 .....
19773	-----	Oscillating Shaft Crank Slide Block complete, for 19789, Nos. 164D, 1156C, 19771 and 19772 .....
19774	23977	Shuttle Driver with 445C for 1 in. to 1-1/8 in. gauges for No 7-61 Machine .....
		NOTE: When ordering No. 19774, state gauge required.
19775	23983	Shuttle Race Body for 1 in to 1-1/8 in. gauges, for 19778 .....
		NOTE: When ordering No. 19775, state gauge required.
19776	23983	Shuttle Driver Ring (inside) for 19778 ..
19777	23983	Shuttle Race Ring (outside) for 19778 ..
19778	23983	Shuttle Race complete, for 1 in. to 1-1/8 in. gauges, for No. 7-61 Machine, Nos. 19775, 19776, 19777 and six 134E .....
		NOTE: When ordering No. 19778, state gauge required.
19785	22810	Arm Dowel Pin for No. 7-61 Machine .....

## NUMERICAL LIST OF PARTS

No.	Plate	Name
19789	-----	Oscillating Shaft Crank complete, for No. 7-61 Machine, Nos. 1508E, 19770 and 19773 .....
19793	22824	Thread Take-up Spring Lever Stop Pin for 19691 .....
19812	22814	Feed (lower) Lifting Rock Shaft Crank with 346E and 1861, for 19971 .....
19819	22815	Feed (lower) Lifting Rock Shaft Crank with 346E and 1861, for 58391 .....
19869	23980	Shuttle (inside) Cylinder Latch Spring for 43255 .....
19869	23980	Shuttle (outside) Cylinder Latch Spring for 43256 .....
19889	22824	Tension (wheel) complete, Nos. 8787, 11241, 19684, 19685, 19686, 58599 and two each 8879 and 58795 .....
*19964	-----	Arm for No. 7-58 Machine .....
19967	22814	Feed (lower) Lifting Rock Shaft Wearing Block for 19970 and 58390 .....
19970	22814	Feed (lower) Lifting Rock Shaft with 134E 2022 and 19967, for 19971 .....
19971	-----	Feed (lower) Lifting Rock Shaft complete, for No. 7-58 Machine, Nos. 19812 and 19970 .....
19997	22816	Throat Plate Needle Hole Strip (left) for 3/4 in. to 1 in. gauges, in steps of 1/16 in., for 19593 .....
		NOTE: When ordering No. 19997, state gauge required.
23535	23986	Wrench for 346 (Accessories) .....
26026	23986	Screw Driver (small) Accessories .....
26176	23969	Guide for No. 7-61 Machine .....
26419	23969	Guide (6 in. face) for No. 7-58 Machine ..
27306	23990	Thread Unwinder Spool Pin for 27778 ..
27560	23990	Thread Unwinder Thread Guard Rod, 26 in. long for 60612 .....
27777	23990	Thread Unwinder Spool Rest for 27778 ..
27778	-----	Thread Unwinder Spool Rest 27777 with 168J and three 27306, for 60612 .....
40025	23976	Oscillating Shaft Crank Pin for No. 7-58 Machine .....
41441	23987	Bobbin Winder Frame Hinge Pin for 41900 and 60217 .....
41446	23987	Bobbin Winder Stop Latch Hinge Pin for 151147 .....
41544	22824	Tension Thread Guard Screw Washer .....
41544	22824	Thread Take-up Spring Lever Regulator Screw Washer .....
41557	23987	Bobbin Winder Stop Latch for 151147 .....
41894	23987	Bobbin Winder Base with 449AL, for 41900 and 60217.....

## NUMERICAL LIST OF PARTS

No.	Plate	Name
41895	23987	Bobbin Winder Bobbin Carrier Key for 41898 .....
41896	23987	Bobbin Winder Frame for 41900 and 60217
41897	23987	Bobbin Winder Frame Spring for 41900 and 60217 .....
41898	23987	Bobbin Winder Spindle with 41895, for 41900 .....
41899	23987	Bobbin Winder Tripping Arm with 176E, for 41900 and 60217 .....
41900	23987	Bobbin Winder, Nos. 41441, 41894, 41896, 41897, 41898, 41899, 43270, 151147 and two 4784, for No. 7-58 Machine .....
42418	-----	Thread Unwinder Tension Screw Stud 828C with 1560C, for 60611 .....
43235	23980	Shuttle (outside) Cylinder Latch for 43256
43236	23980	Shuttle (inside) Cylinder Latch Pin for 43255 .....
43236	23980	Shuttle (outside) Cylinder Latch Hinge Pin for 43256 .....
43239	23980	Shuttle (inside) Cylinder Latch for 43255
43240	23980	Shuttle (inside) Frame for 43255 .....
43242	23980	Shuttle (outside) Frame for 43256 .....
43249	-----	Shuttle (outside) Frame 8779 with 330J and 8778, for 58360 .....
43250	-----	Shuttle (inside) Frame 8894 with 330J and 8893, for 58358 .....
43255	-----	Shuttle (inside) Frame 43240 with 19869, 43236 and 43239, for 43275 .....
43256	-----	Shuttle (outside) Frame 43242 with 19869, 43235 and 43236, for 43283 .....
43263	22810	Arm Screw Washer for No. 7-61 Machine ..
43267	22820	Lifting Presser Bar Lifting Link Hinge Stud Washer .....
43270	23987	Bobbin Winder Friction Pulley with 43271, two 448AL and ten 5604, for 41900 and 60217 .....
43271	23987	Bobbin Winder Friction Pulley Ring (leather) for 43270 .....
43274	23980	Shuttle (inside) Cylinder for 43286 .....
43275	23980	Shuttle (inside cylinder) 4 in. diam. complete, for 1 in. to 1-1/8 in. gauges, for No. 7-61 Machine, Nos. 8877, 16901, 43255 and 43286 .....
43282	23980	Shuttle (outside) Cylinder for 43287 .....
43283	23980	Shuttle (outside cylinder) 4 in. diam. complete for 1 in. to 1-1/8 in. gauges, for No. 7-61 Machine, Nos. 8777, 16901, 43256 and 43287 .....
43286	-----	Shuttle (inside) Cylinder 43274 with 1323F and 8895, for 43275 .....

## NUMERICAL LIST OF PARTS

No.	Plate	Name
43287	-----	Shuttle (outside) Cylinder 43282 with 1323F and 8900, for 43283 .....
50322D	22809	Feed (lower) Regulator Thumb Screw for 58231 and 58284 .....
50323D	23971	Lifting Presser Bar Spring Regulating Thumb Screw .....
50347E	22810	Arm Screw for No. 7-61 Machines .....
50348E	22809	Arm Screw for No. 7-58 Machine .....
50437D	22809	Thread Take-up Lever Hinge Screw for 58316 and 58682 .....
51062D	22817	Throat Plate Screw for No. 7-61 Machine
51074E	23986	Bed Bracket Bolt with 51581E (Accessories) .....
51227C	23977	Oscillating Rock Shaft Hinge Pin Screw Bearing for 58551 .....
51237C	23976	Oscillating Rock Shaft Hinge Pin Screw Bearing for 58566 .....
51260AL	23970	Lifting Presser Bar Bell Crank Hinge Screw .....
51464F	22812	Cloth Plate Screw for No. 7-58 Machine....
51581E	23986	Bed Bracket Bolt Nut for 51074E .....
51609E	23970	Lifting Presser Bar Bell Crank Hinge Screw Nut .....
56814	-----	Feed (lower) Bar Screw Center 307C with 1513J .....
56864	23989	Foot Lifter Chain Hook (Large) for 13351
56865	23989	Foot Lifter Chain Hook (small) for 13351
58203	-----	Needle Bar Connecting Stud with Link and 129E and 445F .....
58218	22812	Cloth Plate for No. 7-58 Machine .....
58231	-----	Feed (lower) Forked Connection 11370 with 11368, 11375, 50322D and two each 565C and 1513J, for No. 7-58 Machine ..
58233	22814	Feed (lower) Rock Shaft for 58234 .....
58234	-----	Feed (lower) Rock Shaft complete, for No. 7-58 Machine Nos. 58233 and 58235 ..
58235	22814	Feed (lower) Rock Shaft Crank with 346E, for 58234 and 58393 .....
58252	23971	Lifting Presser Bar Spring Bracket .....
*58253	-----	Oil Cup for 58254
58254	22811	Oil Cup complete, Nos. 2205, 8482, 9084, 11917, 11918, 58253, two 8953 and three 207F .....
58277	23982	Shuttle Race Dowel Pin .....
58284	-----	Feed (lower) Forked Connection 19762 with 11368, 11375, 50322D and two each 565C and 1513J, for No. 7-61 Machine .....
58301	22809	Thread Take-up Lever for 58302 .....
58302	-----	Thread Take-up Lever 58301 with 1995, for 58316 .....



## NUMERICAL LIST OF PARTS

No.	Plate	Name
58311	23971	Foot Lifter Lifting Lever .....
58316	-----	Thread Take-up Lever 58302 with 50437D, for No. 7-58 Machine .....
58327	22814	Feed (lower) Bar for No. 7-58 Machine ....
58328	22816	Feed (lower) Dog, 13 teeth (10 teeth to the inch) for No. 7-58 Machine .....
		NOTE: When ordering No. 58328, state gauge required.
*58339	-----	Arm for No. 7-61 Machine .....
58348	22823	Feed (upper) Bar Guide Bracket (lower) with 456AL, for 58349 .....
58349	-----	Feed (upper) Bar Guide Bracket (lower) complete, for 1-1/4 in. to 1-1/2 in. gauges for No. 7-61 Machines, Nos. 58348, 58350 and two 190E .....
58350	22823	Feed (upper) Bar Guide Bracket (lower) Cap for 58349 .....
58351	22821	Feed (upper) Bar Guide Bracket (upper) with 11424, for 1-1/4 in. to 1-1/2 in. gauges, for No. 7-61 Machine .....
58352	22817	Feeding Foot for No. 7-61 Machine .....
		NOTE: When ordering No. 58352, state gauge required.
58353	23975	Needle Bar for 58354.....
58354	-----	Needle Bar complete with adjustable clamps for 1-1/4 in. to 1-1/2 in. gauges, for 7-61 Machine, Nos. 58353, 58355, 58356 and two 898D .....
		NOTE: When ordering No. 58354, state gauge required.
58355	23975	Needle Clamp (left) with 191F, for 58354
58356	23975	Needle Clamp (right) with 191F, for 58354 .....
58357	23981	Shuttle (inside) Cylinder for 58405 .....
58358	23981	Shuttle (inside cylinder) complete for 1-1/4 in. to 1-1/2 in. gauges, for No. 7-61 Machine, Nos. 8777, 16901, 43250 and 58405 .....
58359	23981	Shuttle (outside) Cylinder for 58403 .....
58360	23981	Shuttle (outside, cylinder) complete for 1-1/4 in. to 1-1/2 in. gauges, for No. 7-61 Machine, Nos. 8777, 16901, 43249 and 58403 .....
58361	23978	Shuttle Driver with 445C for 1-1/4 in. to 1-1/2 in. gauges, for No. 7-61 Machine ....
		NOTE: When ordering No. 58361, state gauge required.
58362	23984	Shuttle Race Body for 1-1/4 in. to 1-1/2 in. gauges, for 58365 .....
		NOTE: When ordering No. 58362, state gauge required.

## NUMERICAL LIST OF PARTS

No.	Plate	Name
58363	23984	Shuttle Race Ring (inside) for 58365 .....
58364	23984	Shuttle Race Ring (outside) for 58365 .....
58365	23984	Shuttle Race complete, for 1-1/4 in. to 1-1/2 in. gauges, for No. 7-61 Machine, Nos. 58362, 58363, 58364 and six 134E ..
		NOTE: When ordering No. 58365, state gauge required.
58384	-----	Feed (lower) Lifting Rock Shaft Screw Center 564C with 1508E, for No. 7-58 Machine .....
58384	-----	Feed (lower) Rock Shaft Screw Center 564C with 1508E, for No. 7-58 Machine ..
58387	22813	Cloth Plate for use with 58438, for No. 7-61 Machine .....
58389	22817	Feed (lower) Dog, 13 teeth (10 teeth to the inch) for 1 in. gauge, for No. 7-61 Machine .....
58390	22815	Feed (lower) Lifting Rock Shaft with 134E, 2022 and 19967, for 58391 .....
58391	-----	Feed (lower) Lifting Rock Shaft complete for No. 7-61 Machine, Nos. 58390 and two 19819 .....
58392	22815	Feed (lower) Rock Shaft for 58393 .....
58393	-----	Feed (lower) Rock Shaft complete, for No. 7-61 Machine, Nos. 58235 and 58392 .....
58403	-----	Shuttle (outside) Cylinder 58359 with 1323F and 8780, for 58360 .....
58405	-----	Shuttle (inside) Cylinder 58357 with 1323F and 8895, for 58358 .....
58412	22810	Thread Take-up Cam (steel) with two 434C, for No. 7-61 Machine .....
58413	22813	Cloth Plate for use with 58425, 58429, 58457 and 58584, for No. 7-61 Machine ....
58414	22818	Feed (lower) Dog, 16 teeth (10 teeth to the inch) for 1-1/8 in. and 1-1/4 in. gauges for No. 7-61 Machine .....
		NOTE: When ordering No. 58414, state gauge required.
58415	22819	Feed (lower) Dog, 16 teeth (10 teeth to the inch) for 1-3/8 in. and 1-1/2 in. gauges for No. 7-61 Machine .....
		NOTE: When ordering No. 58415, state gauge required.
58422	22819	Throat Plate Body for 58425 .....
58423	22819	Throat Plate Needle Hole Strip (left) for 58425 .....
58424	22819	Throat Plate Needle Hole Strip (right) for 58425 .....
58425	22819	Throat Plate complete, for 1-3/8 in. gauge for use with 58415, for No. 7-61 Machine Nos. 58422, 58423, 58424 and four 691AL .....
58426	22819	Throat Plate Body for 58429 .....

## NUMERICAL LIST OF PARTS

No.	Plate	Name
58427	22819	Throat Plate Needle Hole Strip (left) for 58429 .....
58428	22819	Throat Plate Needle Hole Strip (right) for 58429 .....
58429	22819	Throat Plate complete for 1-1/2 in. gauge for use with 58415, for No. 7-61 Machine, Nos. 58426, 58427, 58428 and four 691AL
58434	23972	Lifting Presser Bar Spring (flat) for No. 7-61 Machine .....
58435	22817	Throat Plate Body for 58438 .....
58436	22817	Throat Plate Needle Hole Strip (left) for 58438 .....
58437	22817	Throat Plate Needle Hole Strip (right) for 58438 .....
58438	22817	Throat Plate complete, for 1 in. gauge, for use with 58389, for No. 7-61 Machine, No. 58435, 58436, 58437 and four 742F ....
58446	22815	Feed (lower) Bar for No. 7-61 Machine ....
58454	22818	Throat Plate Body for 58457 and 58584 ....
58455	22818	Throat Plate Needle Hole Strip (left) for 58457 .....
58456	22818	Throat Plate Needle Hole Strip (right) for 58457 .....
58457	22818	Throat Plate complete, for 1-1/8 in. gauge for use with 58414, for No. 7-61 Machine, Nos. 58454, 58455, 58456 and four 742F
58511	22809	Feed (upper) Cam with two 445C .....
58512	23979	Shuttle (inside) Cylinder for 58513 .....
58513	-----	Shuttle (inside) Cylinder 58512 with 774F and 58515, for 58662 .....
58515	23979	Shuttle (inside) Tension Spring for 58513 .....
58517	23979	Shuttle (outside) Cylinder for 58518 .....
58518	-----	Shuttle (outside) Cylinder 58517 with 774F and 58520, for 58665 .....
58520	23979	Shuttle (outside) Tension Spring for 58518 .....
58527	23979	Shuttle (inside) Cylinder Hinge Pin for 58662 .....
58527	23979	Shuttle (outside) Cylinder Hinge Pin for 58665 .....
58550	23977	Oscillating Rock Shaft for 58551 .....
58551	-----	Oscillating Rock Shaft complete, for No. 7-61 Machine, Nos. 1503J, 11165, 51227C, 58550, 58555 and 58595.....
58552	23977	Oscillating Rock Shaft Hinge Pin for 58595 .....
58553	23977	Oscillating Rock Shaft Oil Tube for 58555 .....
58554	23977	Oscillating Rock Shaft Oil Tube Joint for 58555 .....
58555	-----	Oscillating Rock Shaft Oil Tube complete for 58551, Nos. 58553, 58554 and 68350 ..

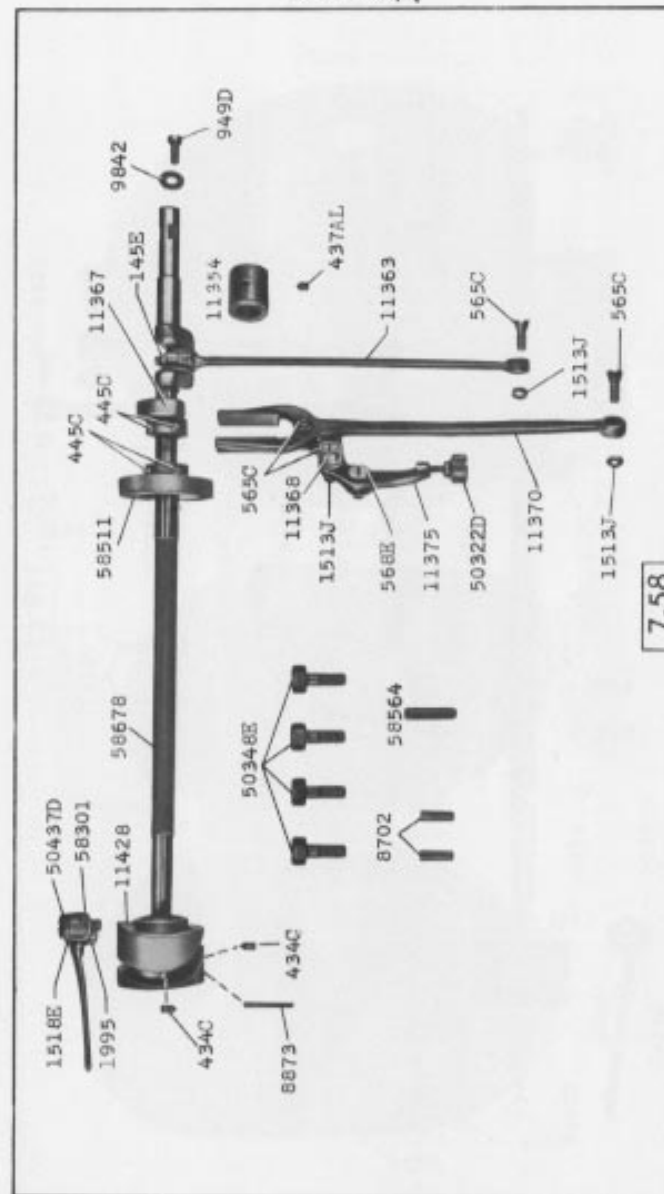
## NUMERICAL LIST OF PARTS

No.	Plate	Name
58564	22809	Arm Oil Tube for oiling Arm Shaft Intermediate Bearing for No. 7-58 Machine.....
58566	-----	Oscillating Rock Shaft complete, for No. 7-58 Machine, Nos. 1508J, 11165, 51237C, 58570, 58573 and 58586 .....
58567	23976	Oscillating Rock Shaft Oil Tube for 58570 .....
58568	23976	Oscillating Rock Shaft Oil Tube Joint for 58570 .....
58570	-----	Oscillating Rock Shaft Oil Tube complete for 58566, Nos. 58567, 58568 and 127848
58573	23976	Oscillating Rock Shaft for 58566 .....
58583	22818	Throat Plate Needle Hole Strip for 58584 .....
58584	22818	Throat Plate complete, for 1-1/4 in. gauge for use with 58414, for No. 7-61 Machine, Nos. 58454, two 58583 and four 742F .....
58585	23976	Oscillating Rock Shaft Hinge Pin for 58586 .....
58586	-----	Oscillating Rock Shaft Hinge Pin 58585 with 1508J, for 58566 .....
58590	-----	Thread Retaining Screw Stud 686E with 1560C, for 11041 .....
58595	-----	Oscillating Rock Shaft Hinge Pin 58552 with 1503J, for 58551 .....
58599	-----	Tension Screw Stud 710E with 1535E, for 19889 .....
58600	-----	Thread Retaining Screw Stud 408E with 1560C, for 11426 .....
58625	23979	Shuttle (inside) Cylinder Latch for 58661 .....
58626	23979	Shuttle (outside) Cylinder Latch for 58664 .....
58660	23979	Shuttle (inside) Frame for 58661 .....
58661	-----	Shuttle (inside) Frame 58660 with 12002, 58625 and 122419, for 58662 .....
58662	23979	Shuttle (inside, cylinder) 3 in. diam. complete, for No. 7-58 Machine, Nos. 11910, 58513, 58527, 58661 and 120571 .....
58663	23979	Shuttle (outside) Frame for 58664 .....
58664	-----	Shuttle (outside) Frame 58663 with 12002, 58626 and 122419, for 58665 .....
58665	23979	Shuttle (outside, cylinder) 3 in. diam. complete, for No. 7-58 Machine, Nos. 11910, 58518, 58527, 58664 and 120571 .....
58677	23973	Machine Pulley (10 in. diam.) 1/2 in. "V" Belt groove, with two 350C .....
58678	22809	Arm Shaft for No. 7-58 Machine .....
58680	22810	Thread Take-up Lever for 58681 .....
58681	-----	Thread Take-up Lever 58680 with 1995, for 58682 .....
58682	-----	Thread Take-up Lever 58681 with 50437D, for No. 7-61 Machine .....

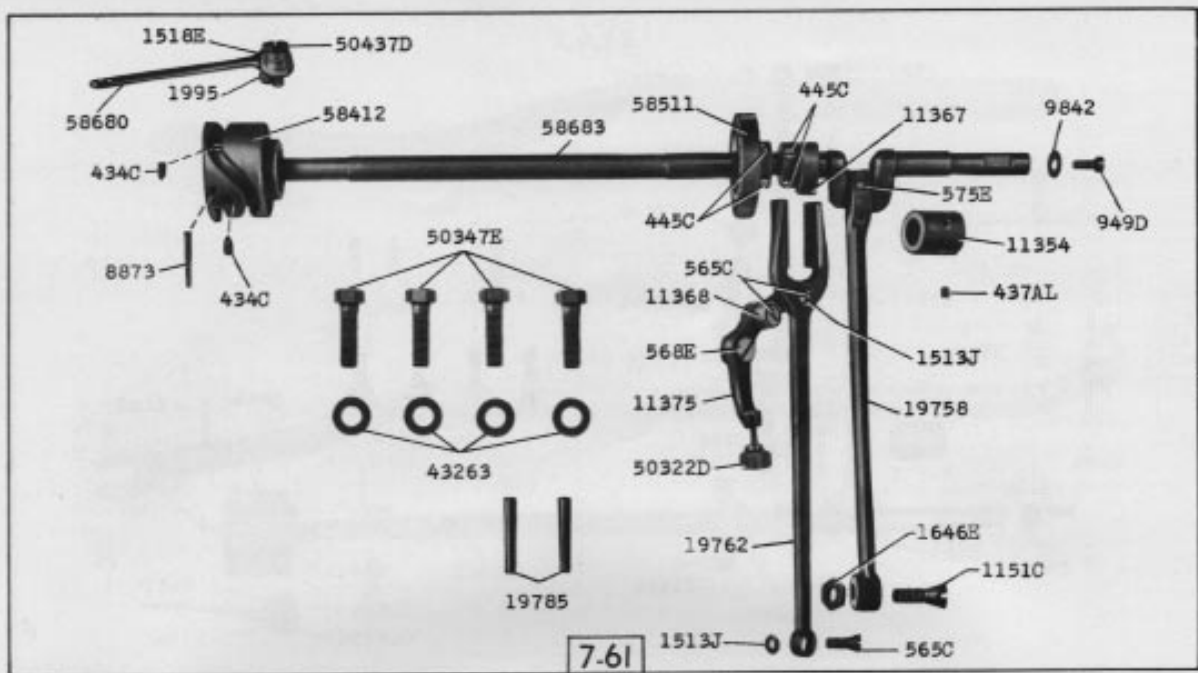
## NUMERICAL LIST OF PARTS

No.	Plate	Name
58683	22810	Arm Shaft for No. 7-61 Machine .....
58795	22824	Tension Wheel for 19889 .....
60213	23988	Bobbin Winder Bobbin Position Pin for 60215 .....
60214	23988	Bobbin Winder Spindle for 60217 .....
60215	23988	Bobbin Winder Spindle Shaft with 454AL and 60213, for 60217 .....
60216	23988	Bobbin Winder Stop Latch for 60217 .....
60217	23988	Bobbin Winder, Nos. 2269, 11107, 41441, 41894, 41896, 41897, 41898, 43270, 60214, 60215, 60216 and two 4784, for No. 7-61 Machine .....
60610	23990	Thread Unwinder Thread Guard for 60611 .....
60611	-----	Thread Unwinder Thread Guard complete, for 60612, Nos. 330E, 2103, 5769, 17547, 42418, 60610 and two 2102 .....
60612	23990	Thread Unwinder complete, for three spools Nos. 27560, 27778, 60611, 259658 and three wood screws 1-1/4 in. No. 12 .....
64052	22822	Foot Lifter Lifting Collar with 1149AL ..
68350	23977	Oscillating Rock Shaft Oil Tube Oil Cup for 58555 .....
120344	23986	Oiler (copper plated) with 120345 (Accessories) .....
120345	23986	Oiler Spout, 4-1/2 in. long for 120344 ..
120571	23986	Shuttle (inside) Cylinder Opener for 58662 and for No. 7-61 Machine .....
120571	23986	Shuttle (outside) Cylinder Opener for 58665 and for No. 7-61 Machine.....
122419	23979	Shuttle (inside) Cylinder Latch Spring for 58661 .....
122419	23979	Shuttle (outside) Cylinder Latch Spring for 58664 .....
127848	23976	Oscillating Rock Shaft Oil Tube Oil Cup for 58570 .....
140370D	23973	Bobbin Winder Bracket Screw .....
151114	23973	Bobbin Winder Bracket .....
151147	-----	Bobbin Winder Stop Latch 41557 with 2269 and 41446, for 41900 .....
200383C	23990	Thread Unwinder Thread Guard Rod Set Screw for 259658 .....
259658	23990	Thread Unwinder Spool Stand with 200383C, for 60612 .....

22809-1/4

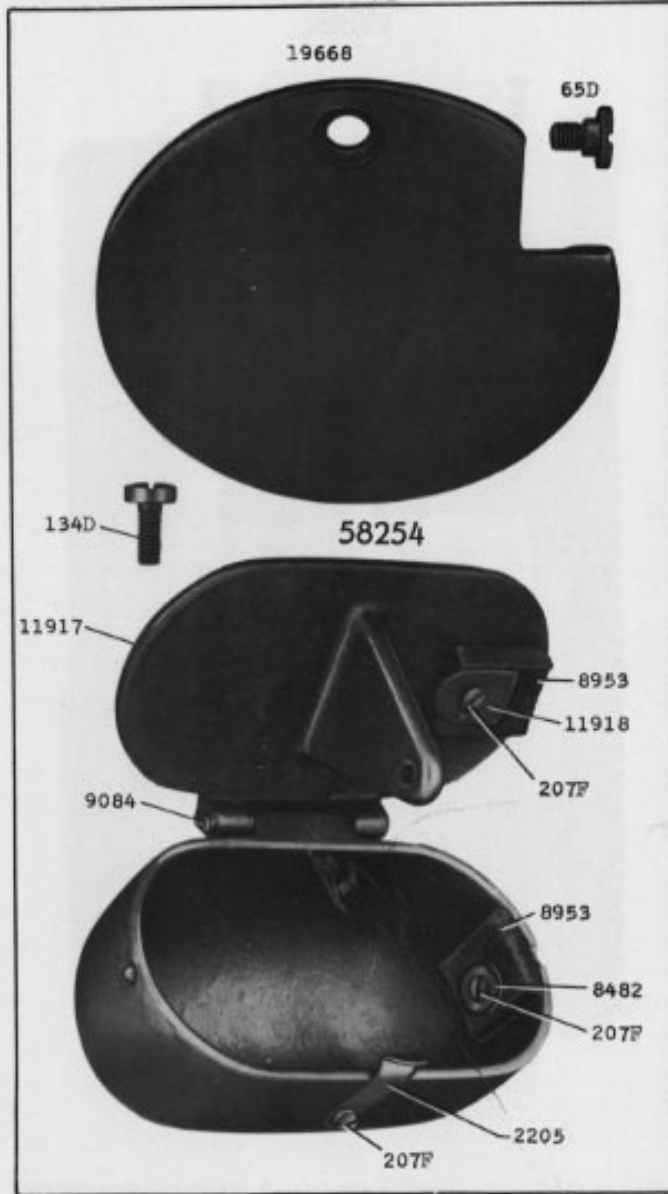


7-58



22810-1/4

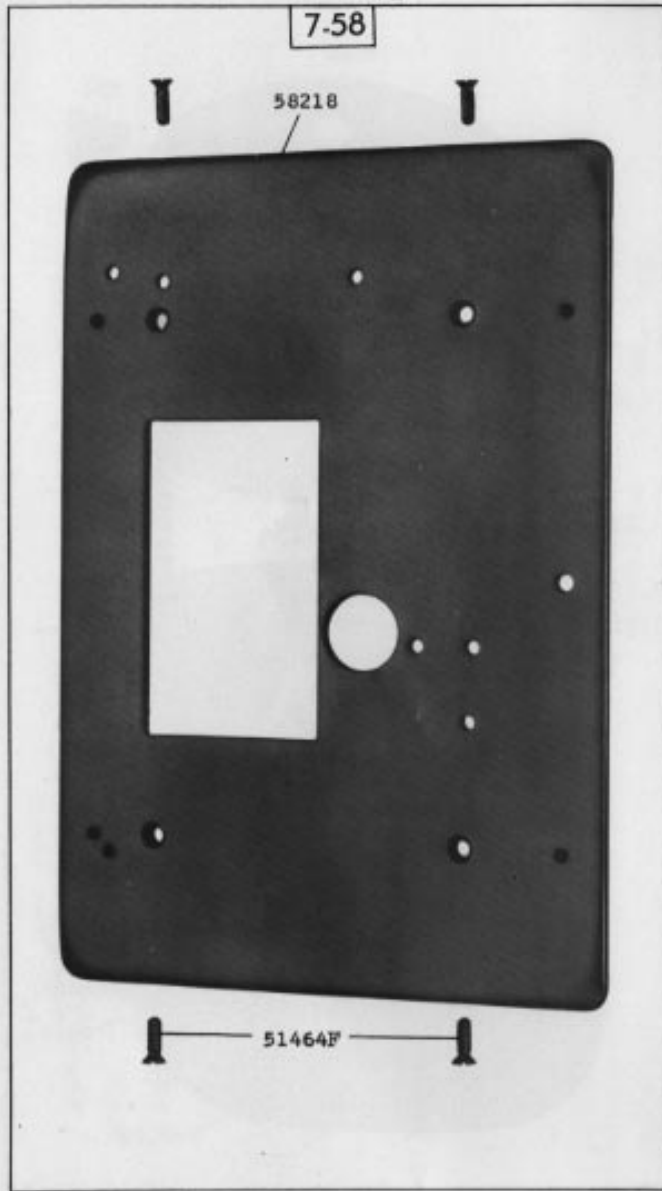
22811.2/3



22812.1/2

7-58

58218

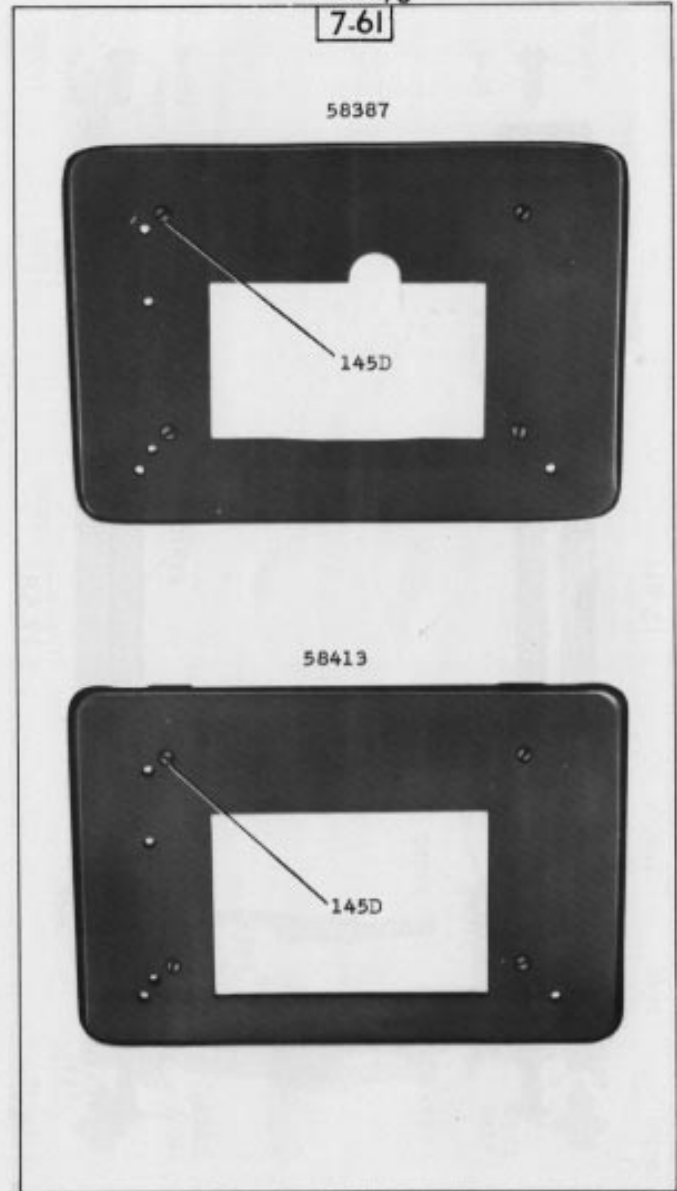


51464F

22813.1/3

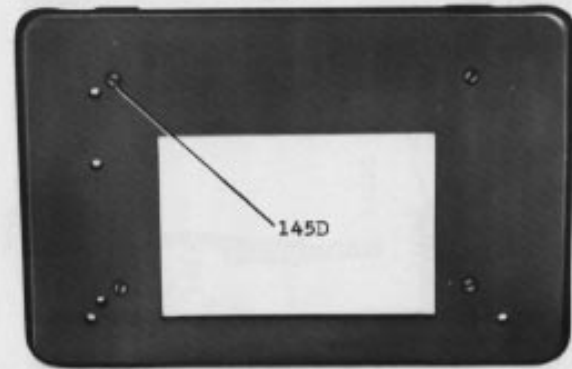
7-61

58387



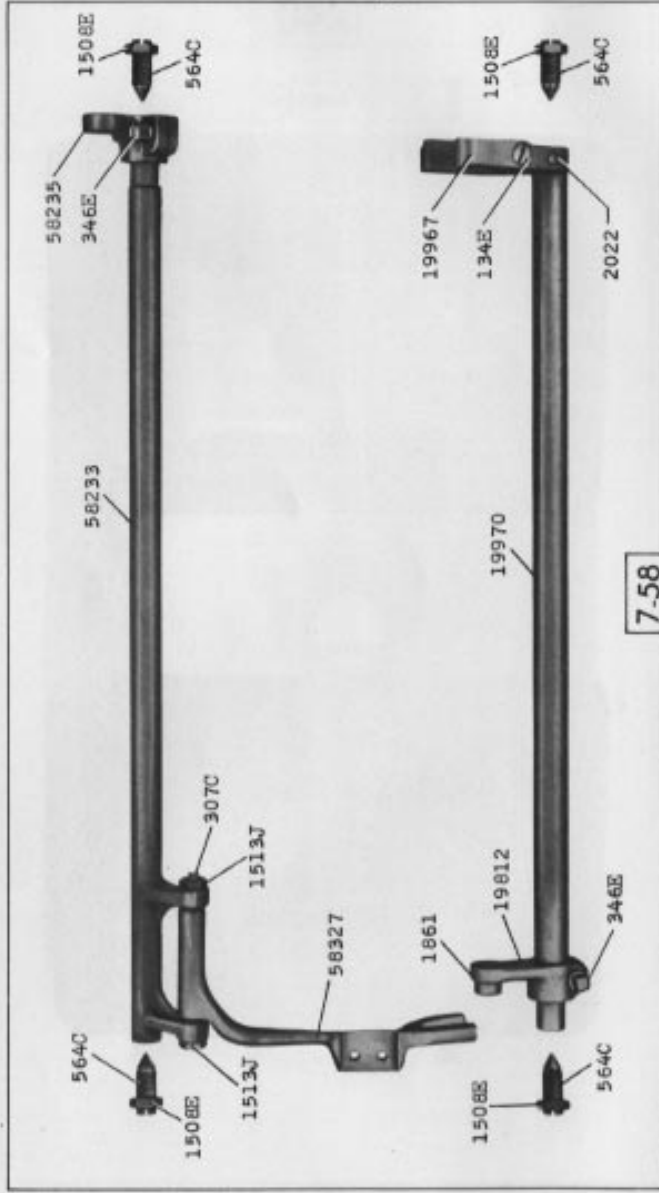
145D

58413



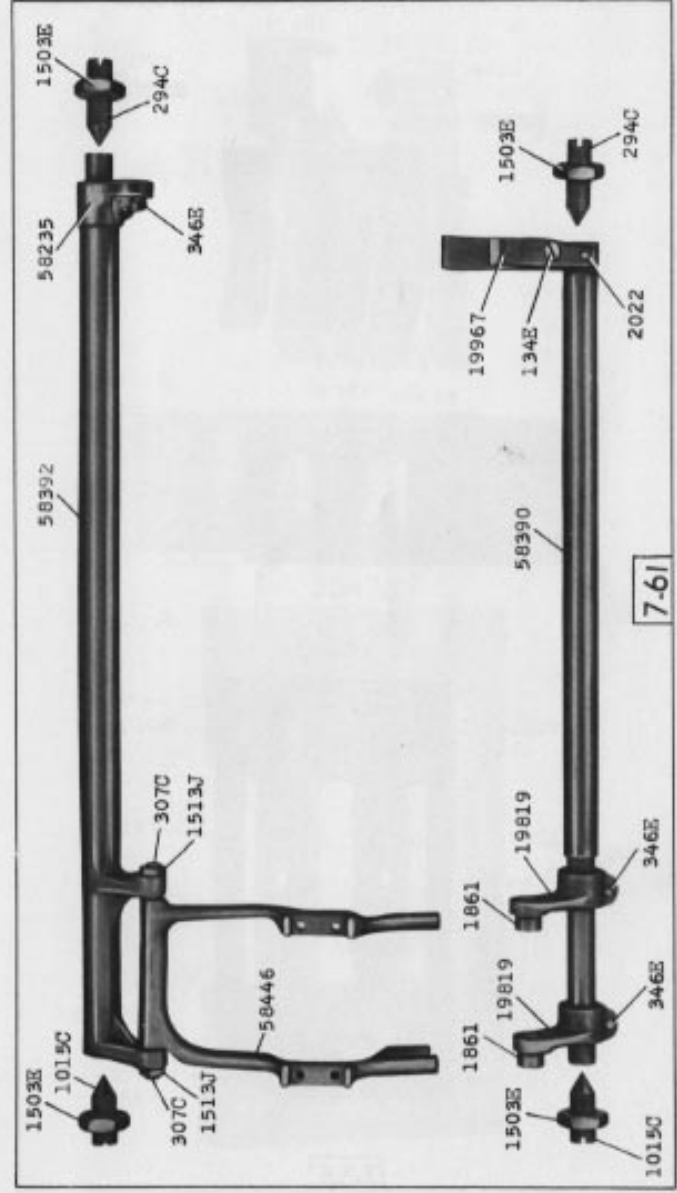
145D

22814.1/4



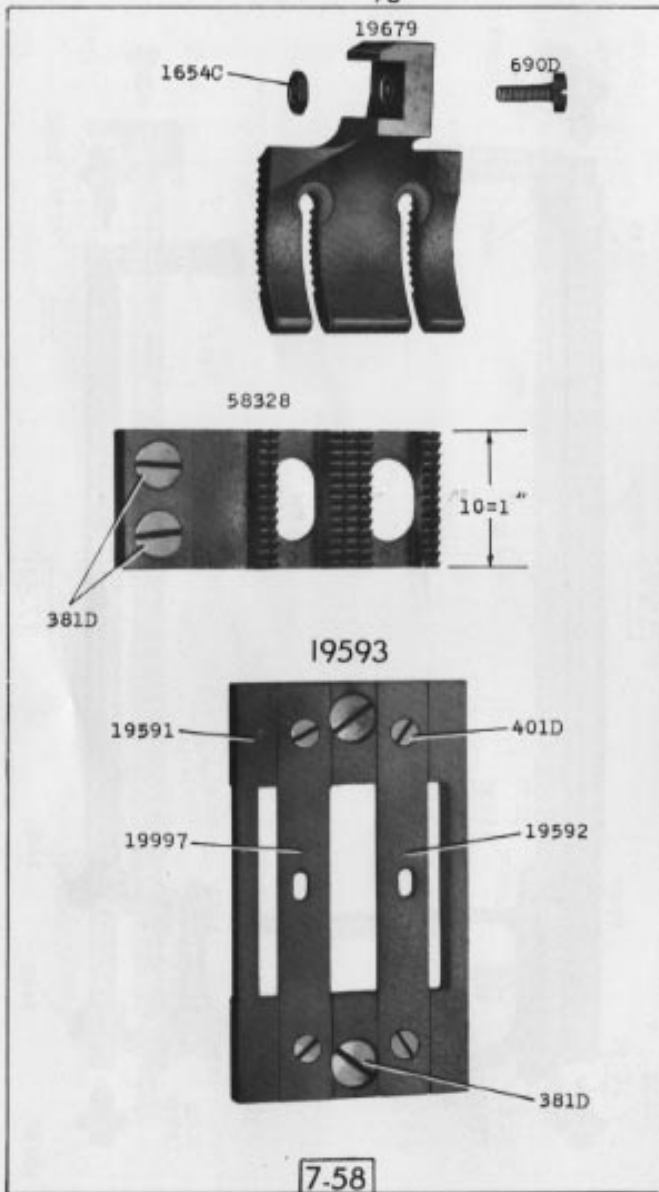
7-58

22815.1/4

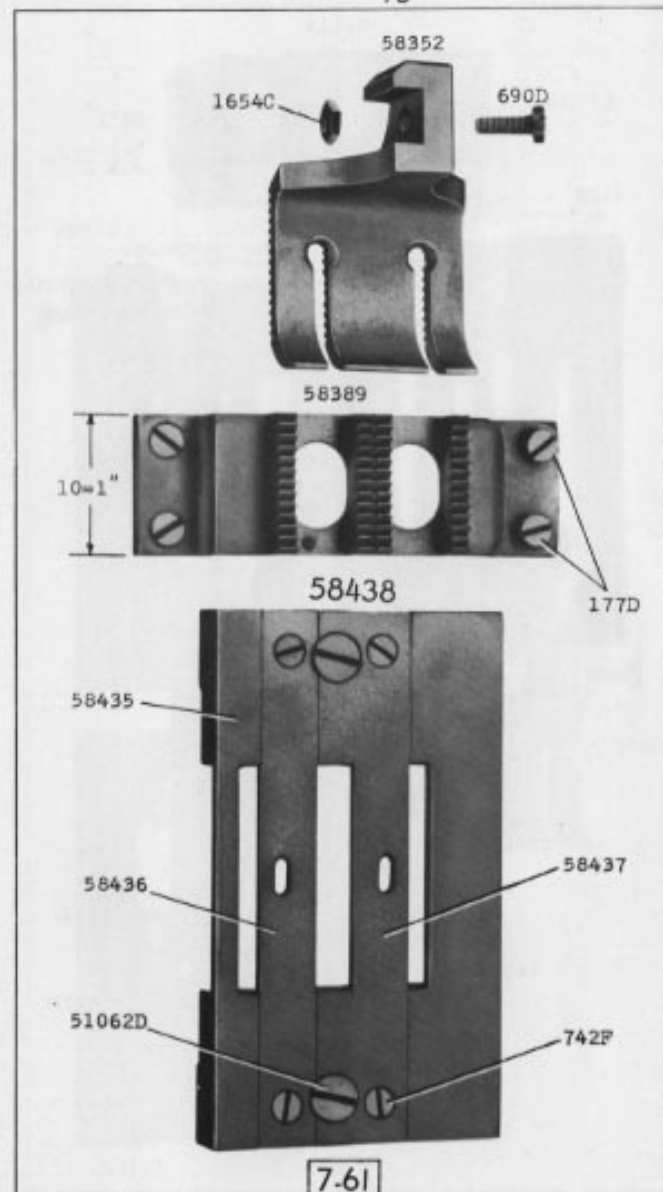


7-61

22816-2/3

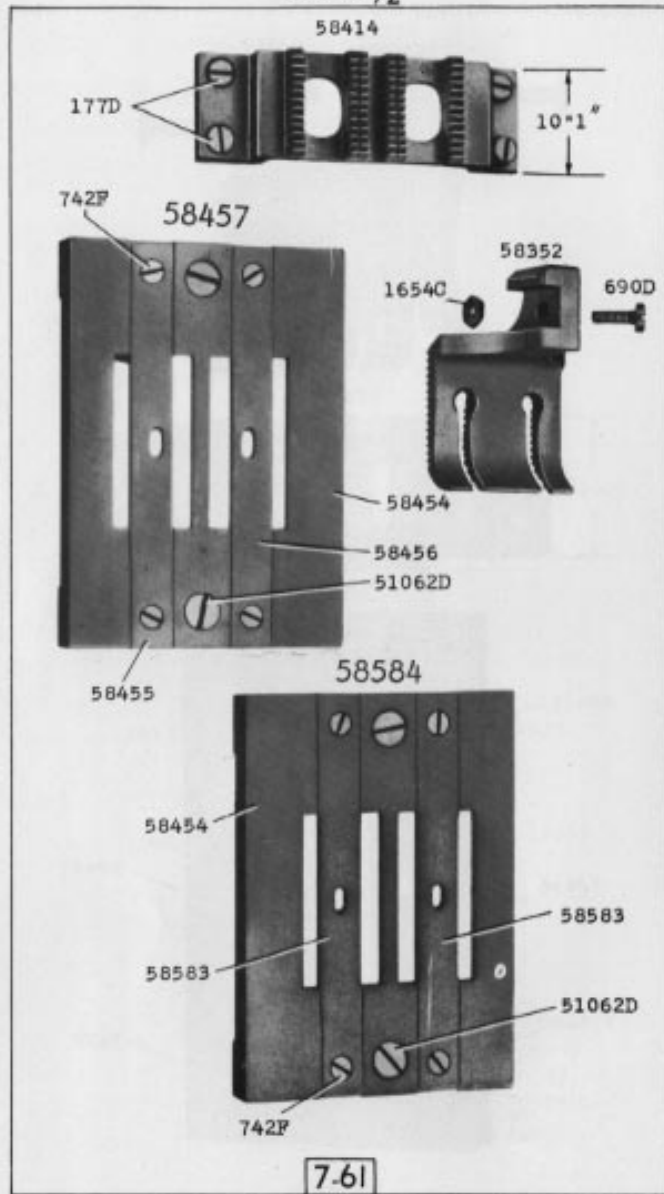


22817-2/3

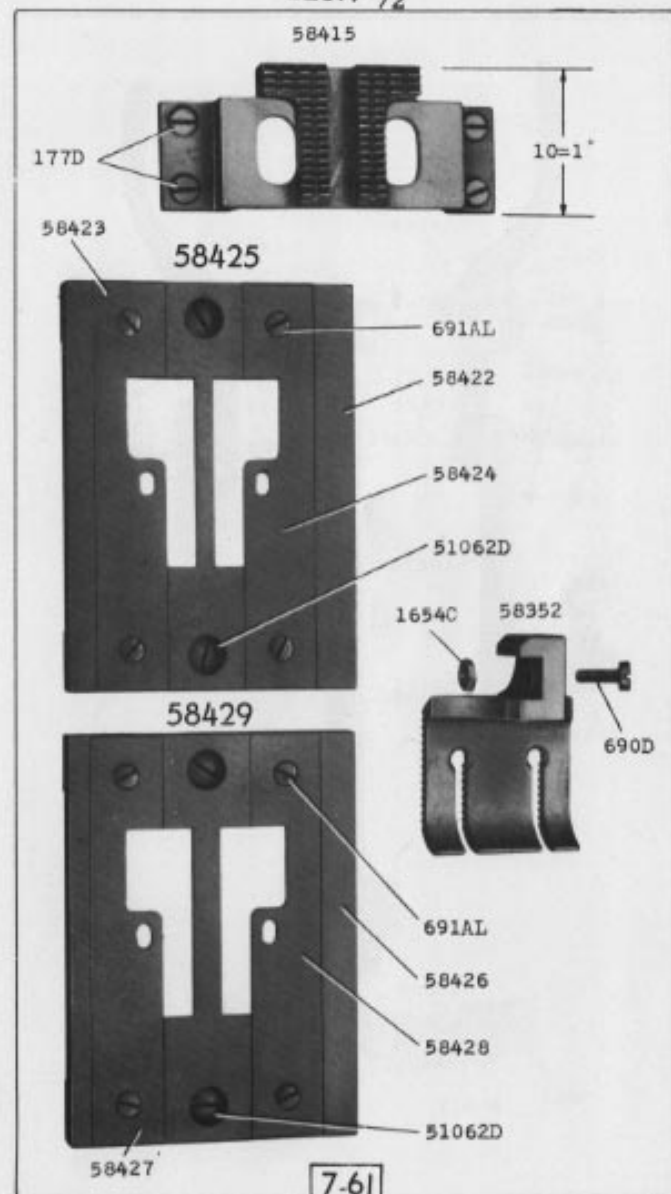




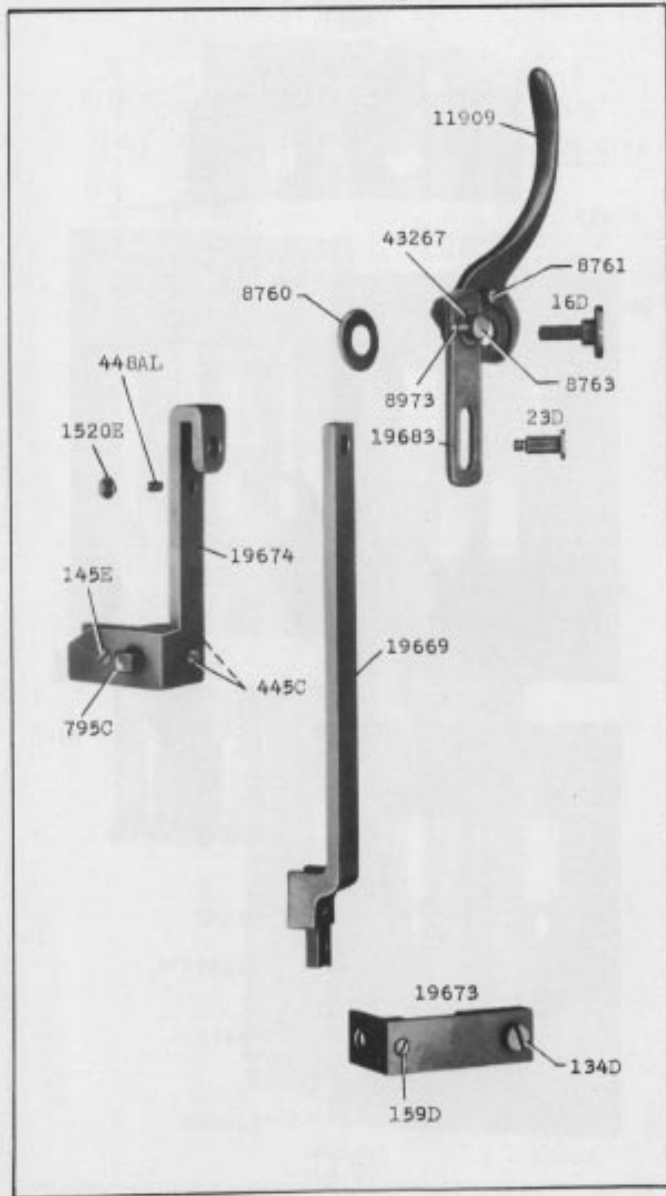
22818-1/2



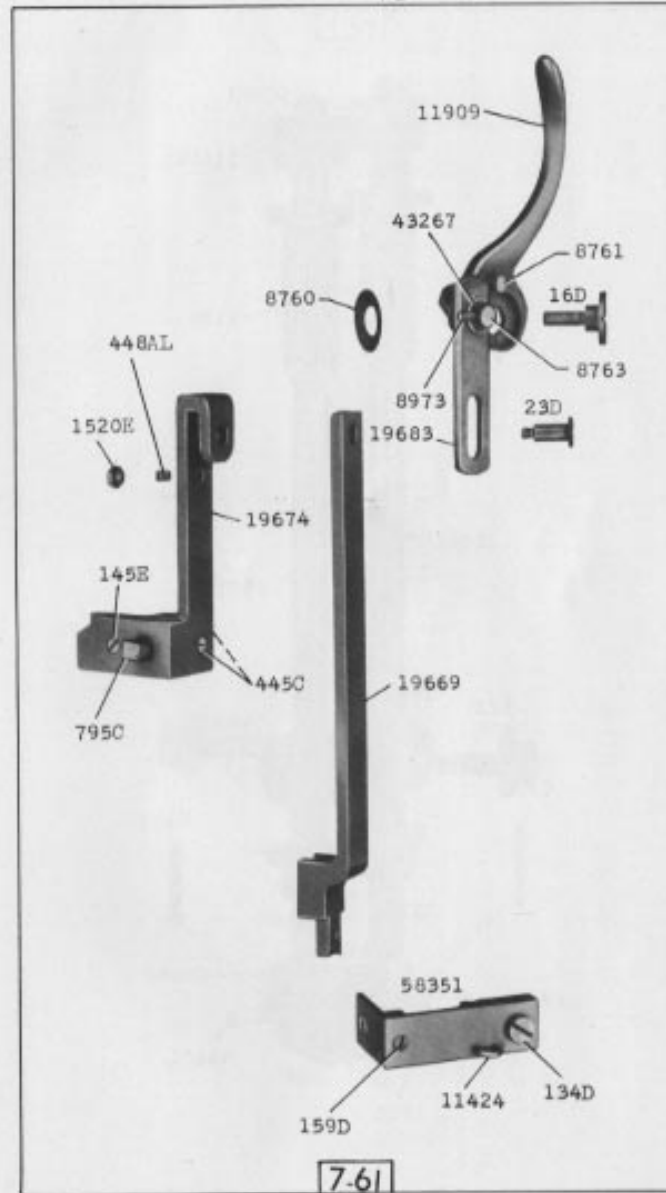
22819-1/2



22820-1/3

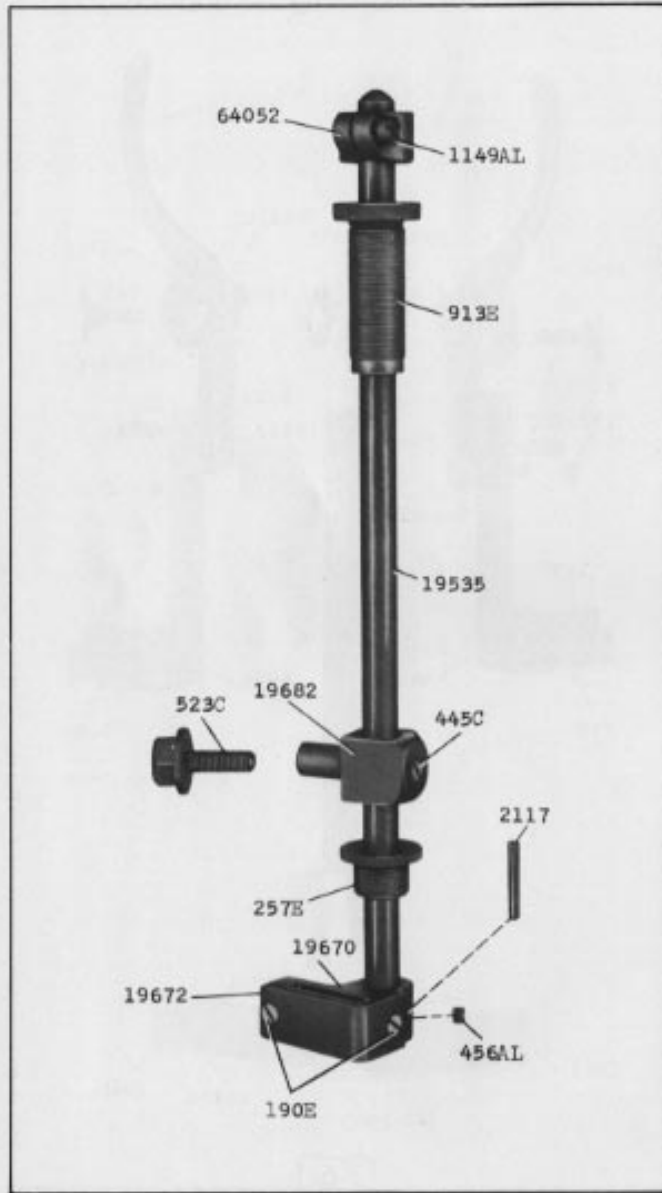


22821-1/3



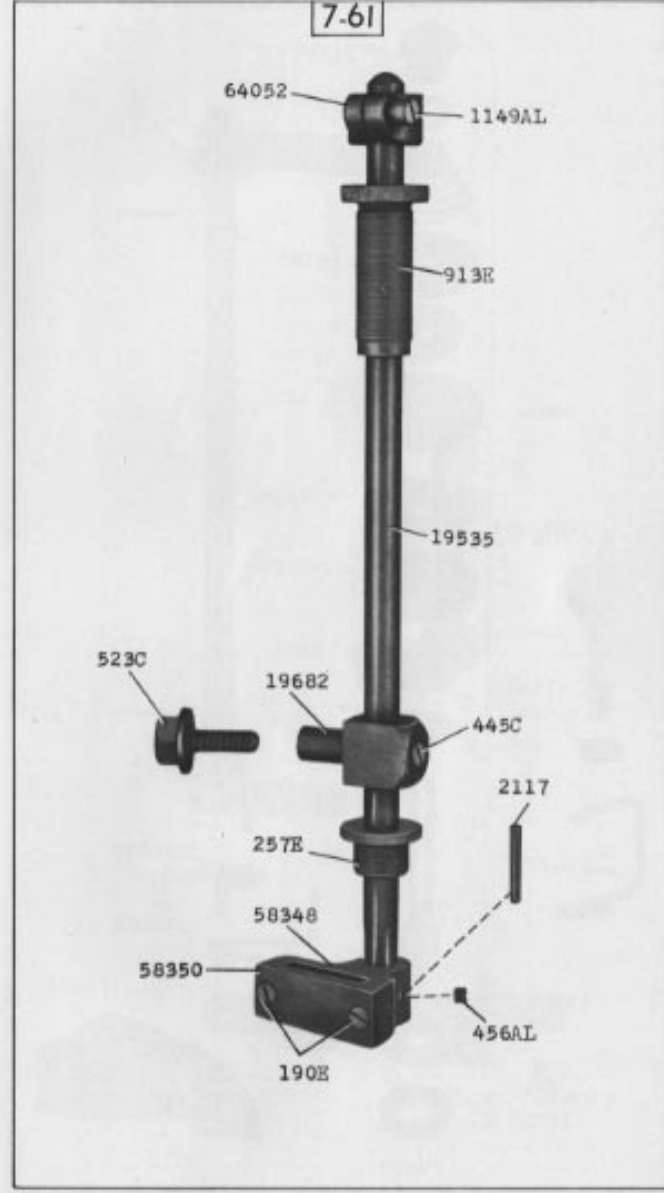
7-61

22822-1/2

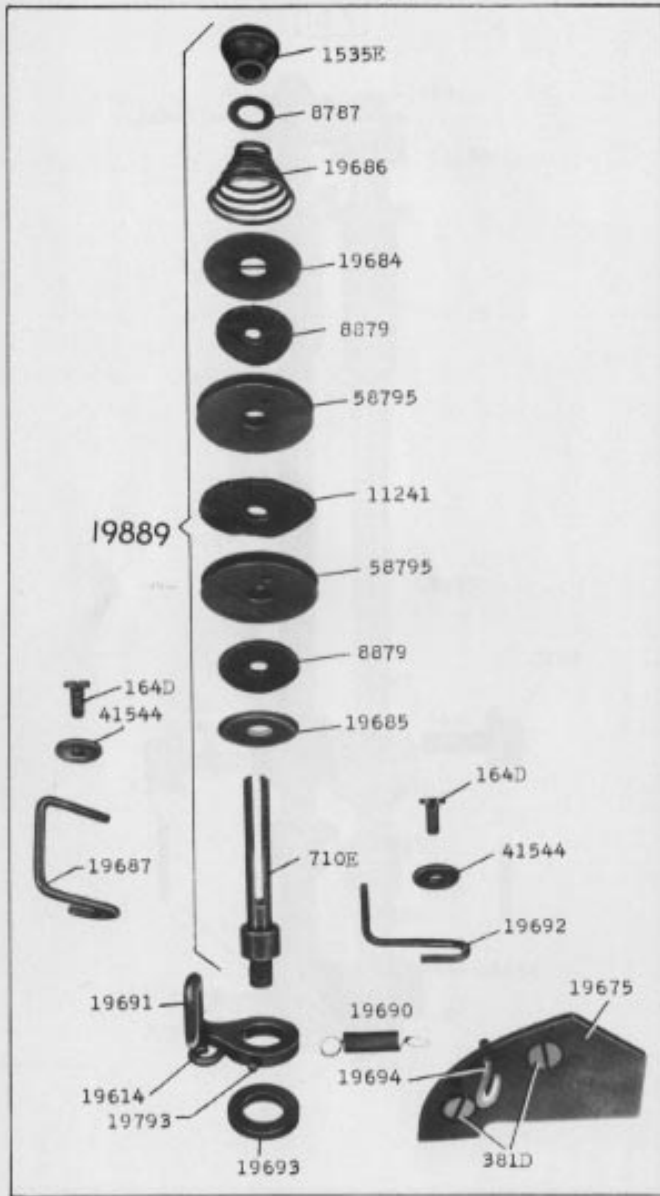


22823-1/2

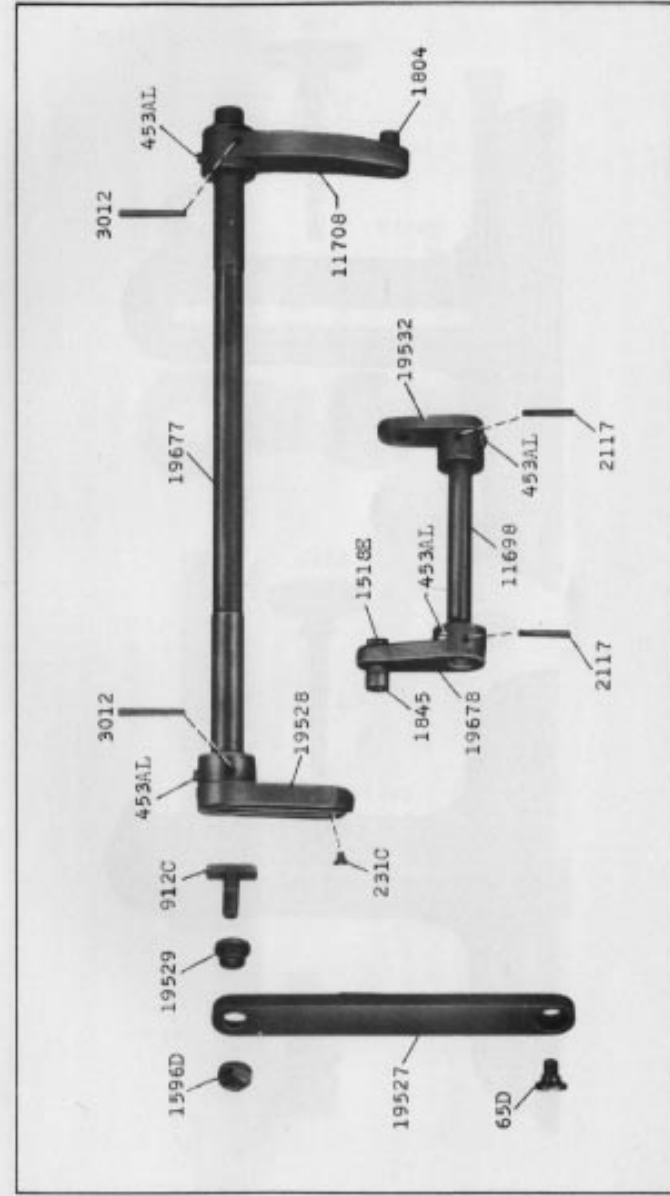
7-61



22824-1/2



22825.1/3

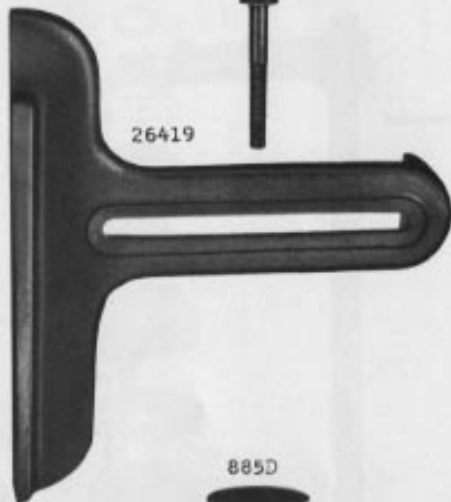


23969-1/2

885D



26419

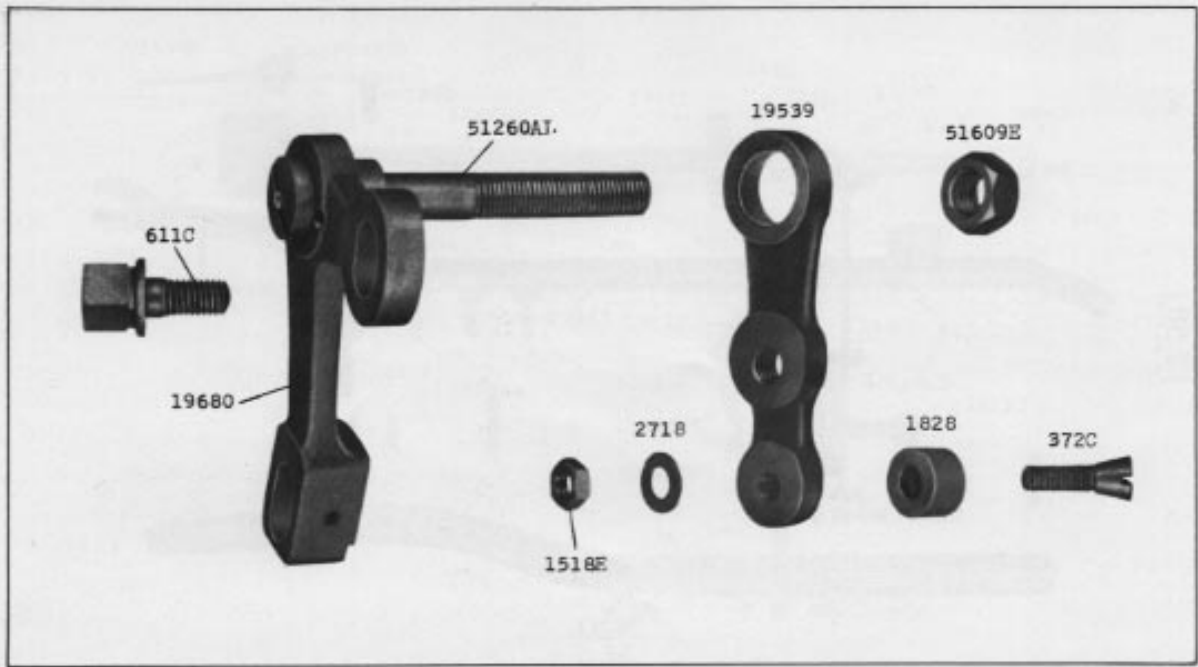


885D



26176

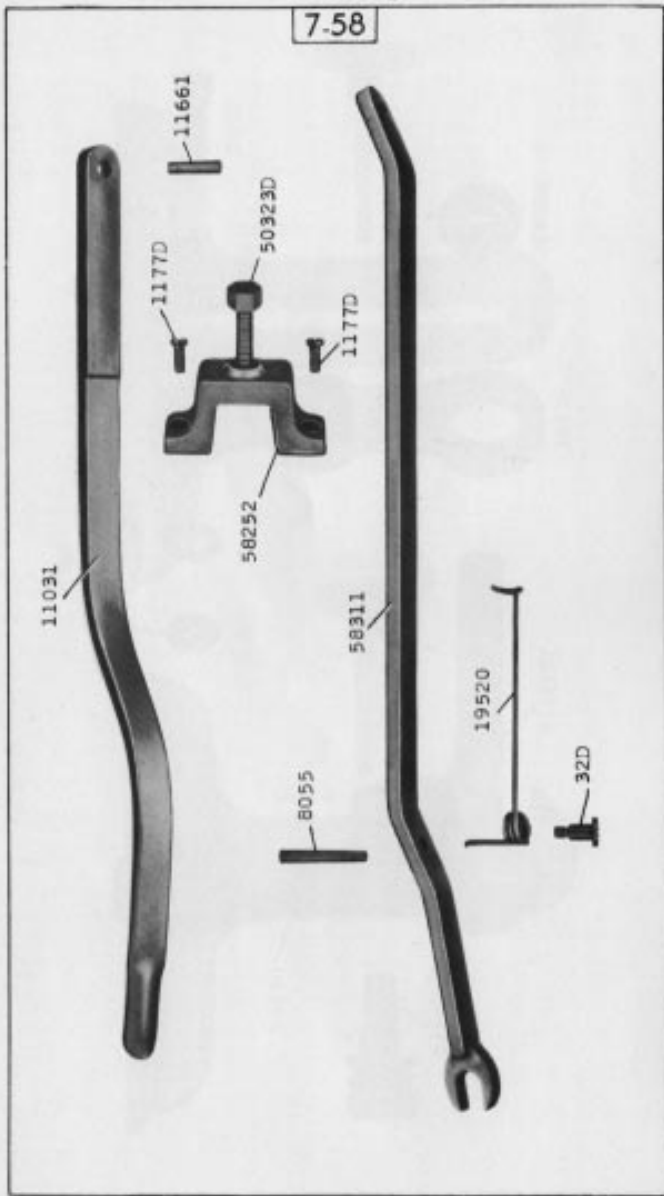




23970-2/3

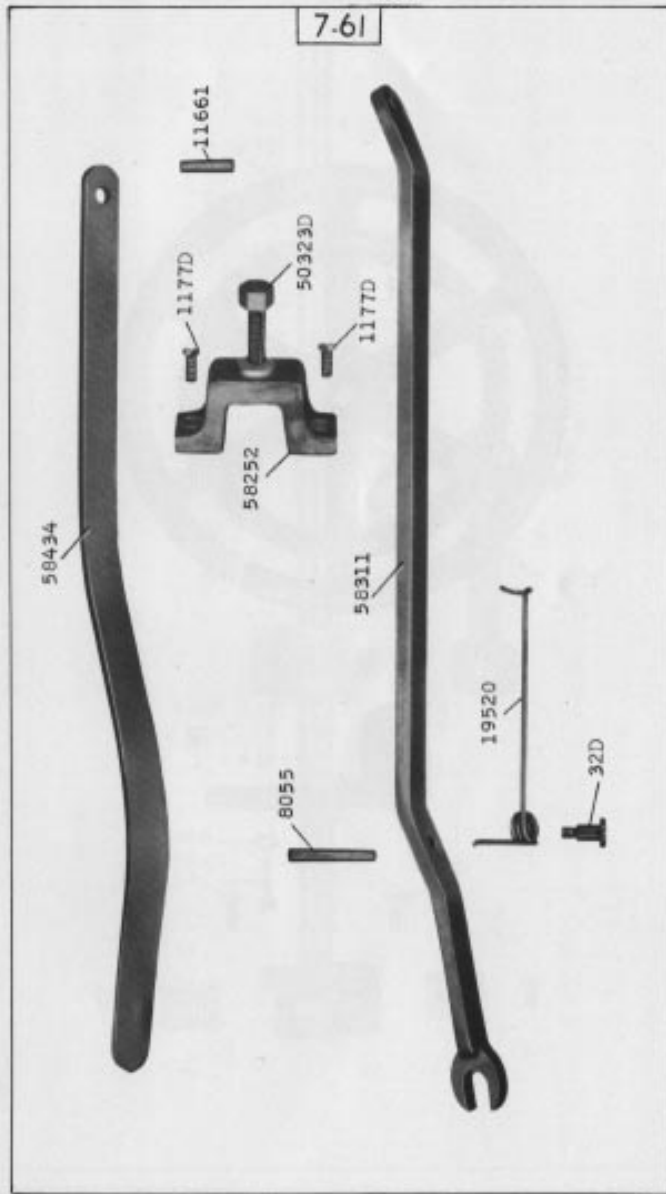
23971-1/3

7-58

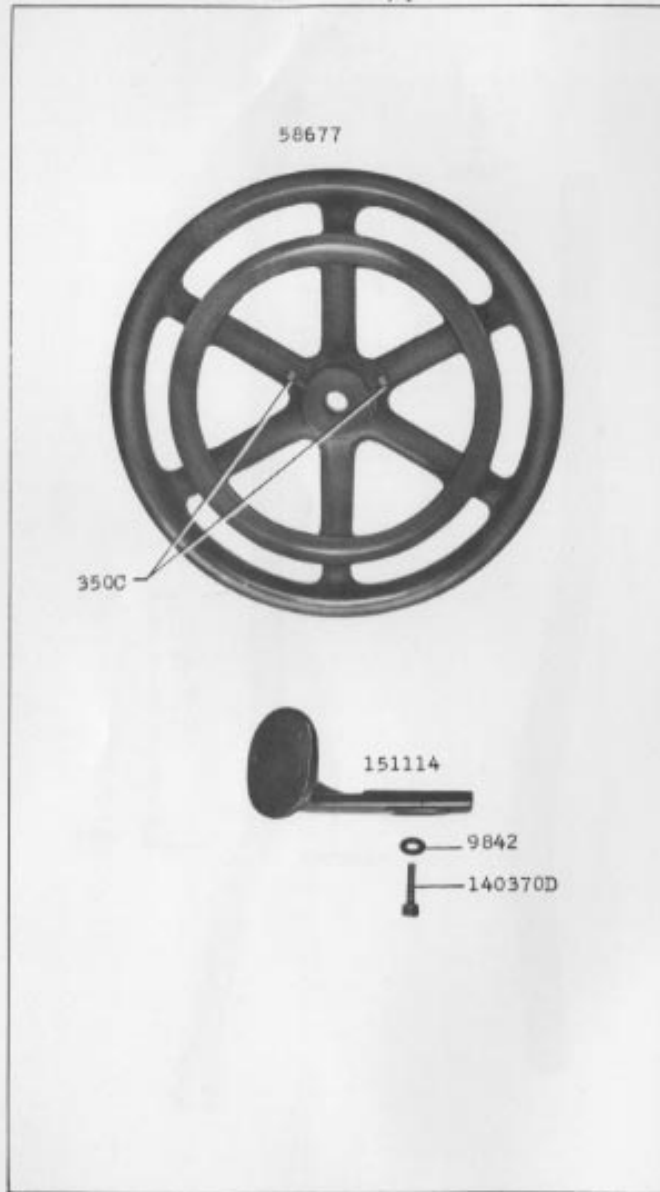


23972-1/3

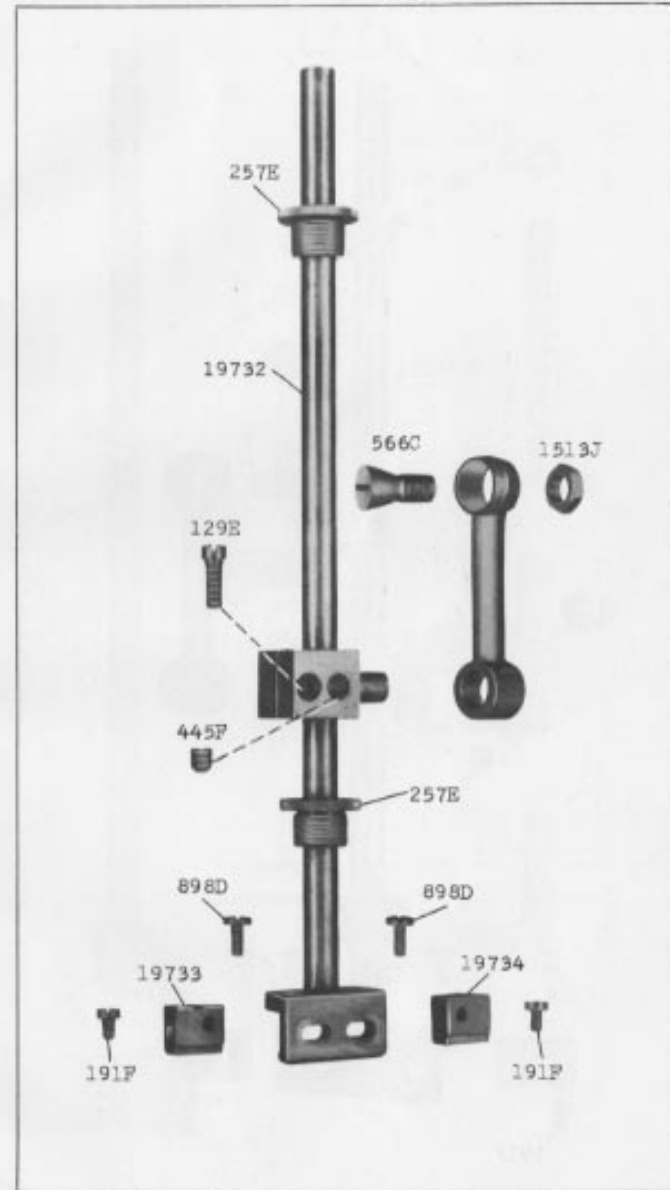
7-61



23973-1/4



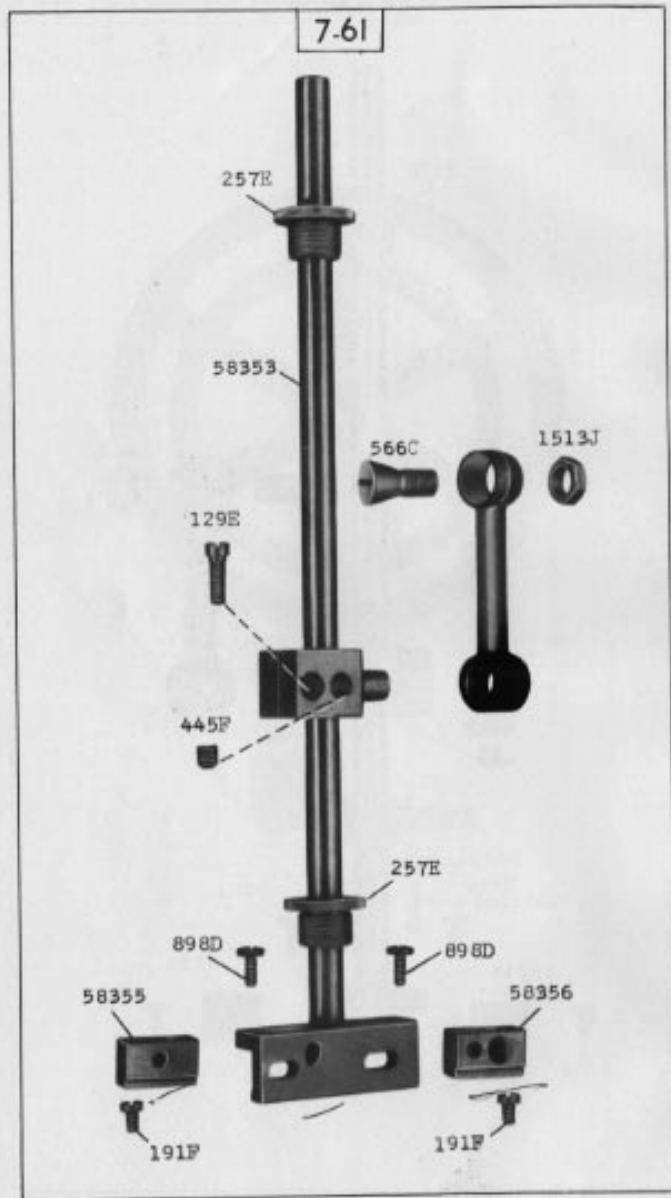
23974.1/2



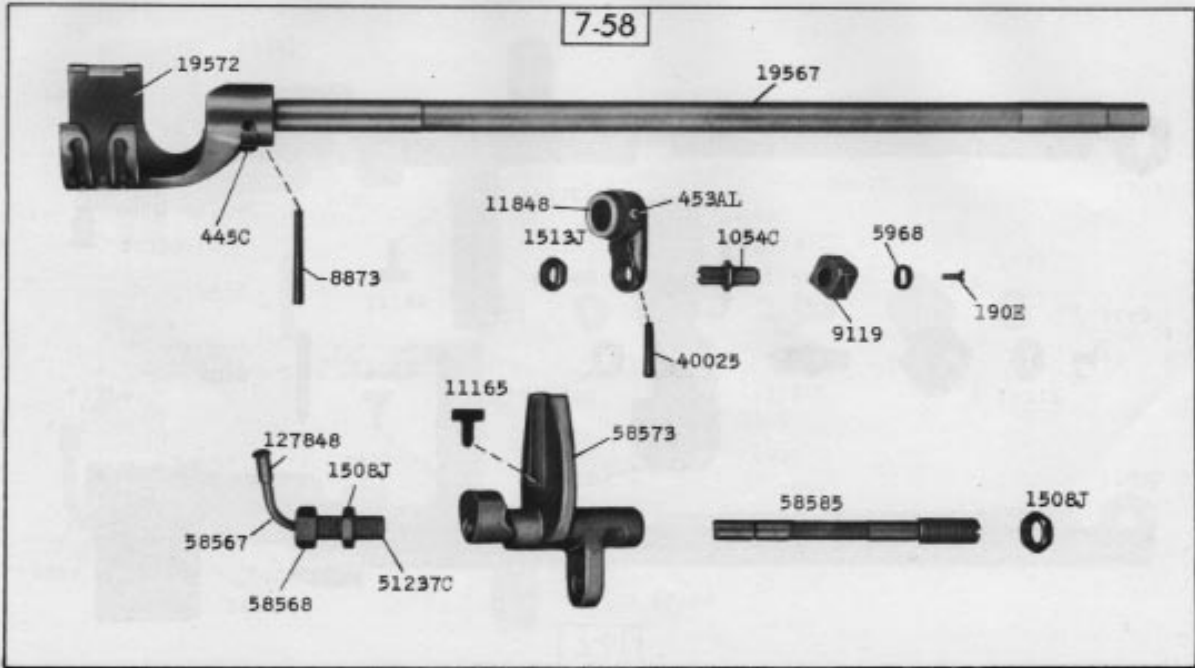


23975-1/2

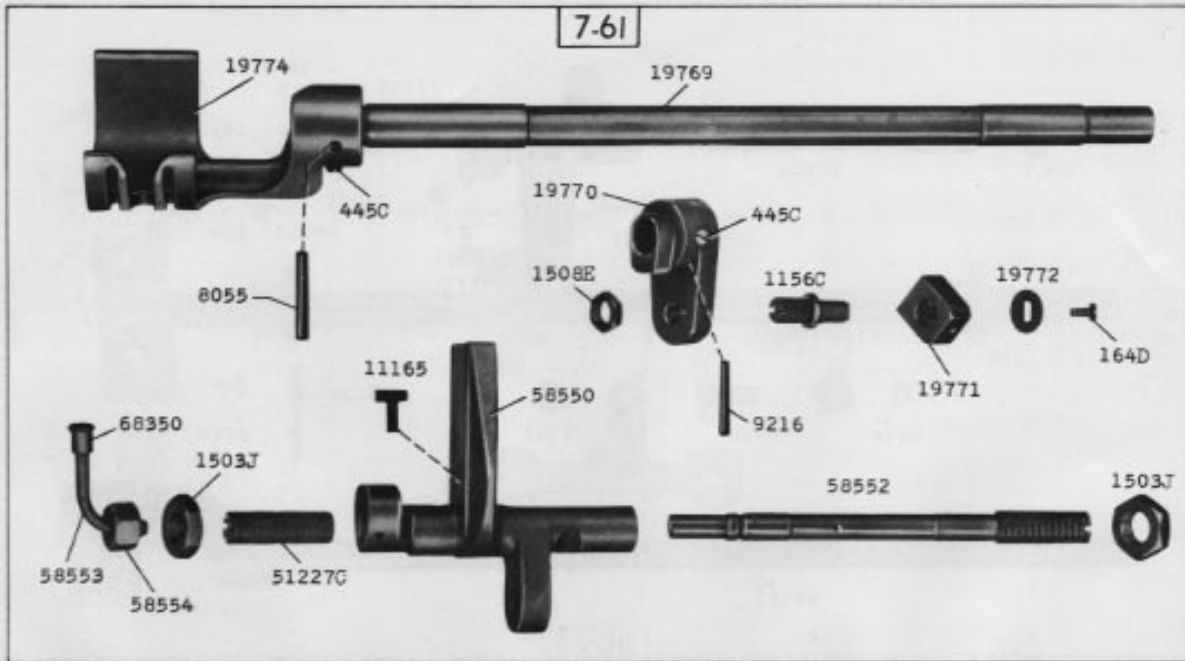
7.6l



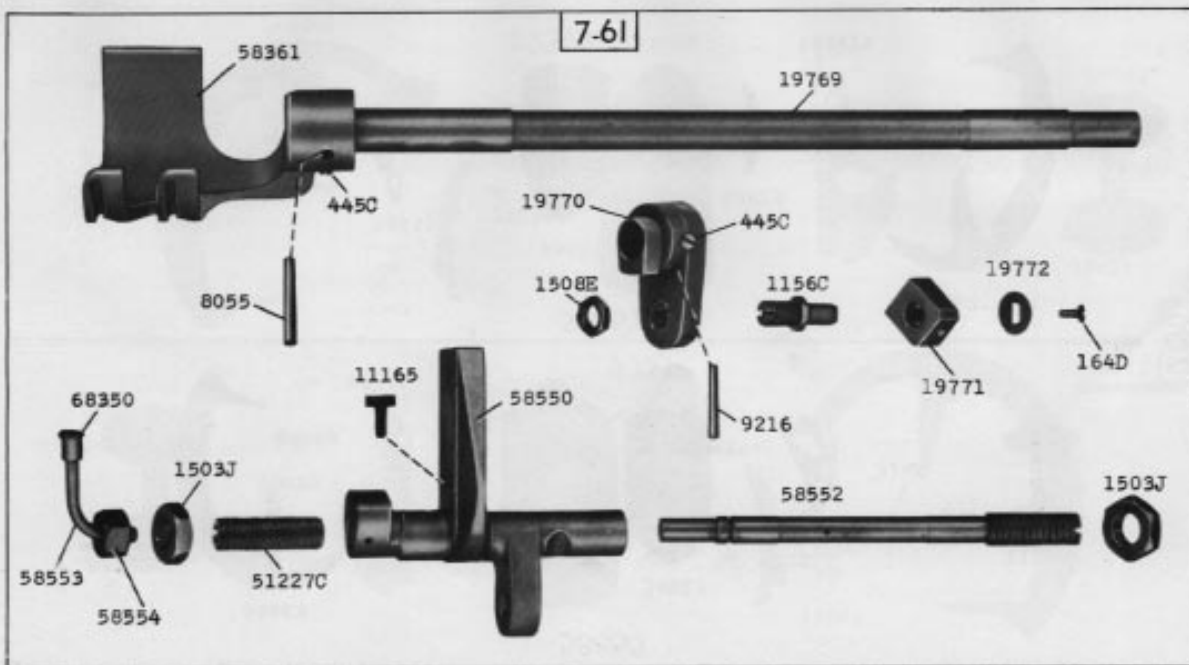
7-58



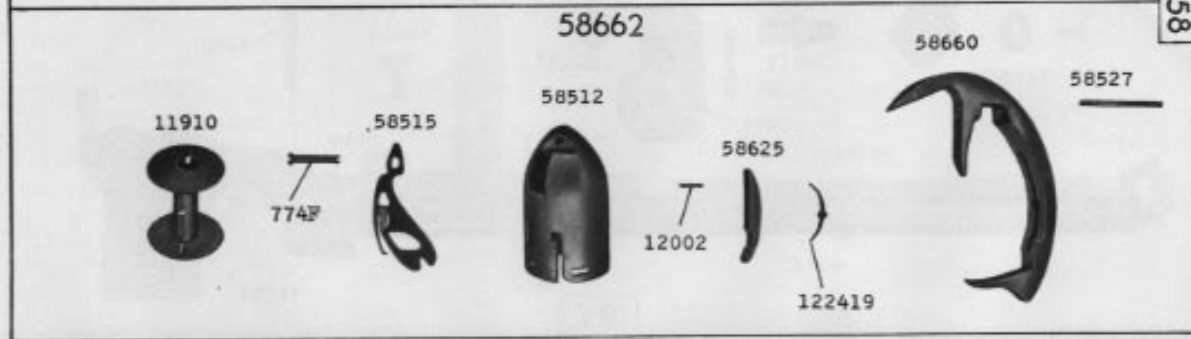
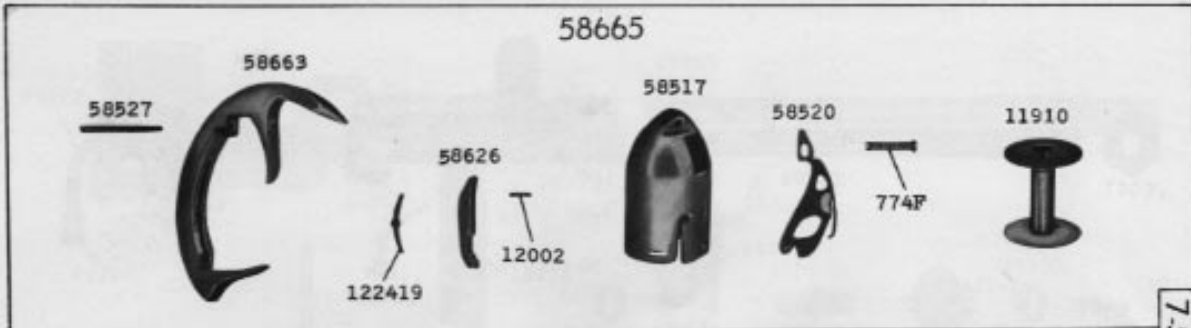
23976-1/3



23977-1/3



23978-1/3



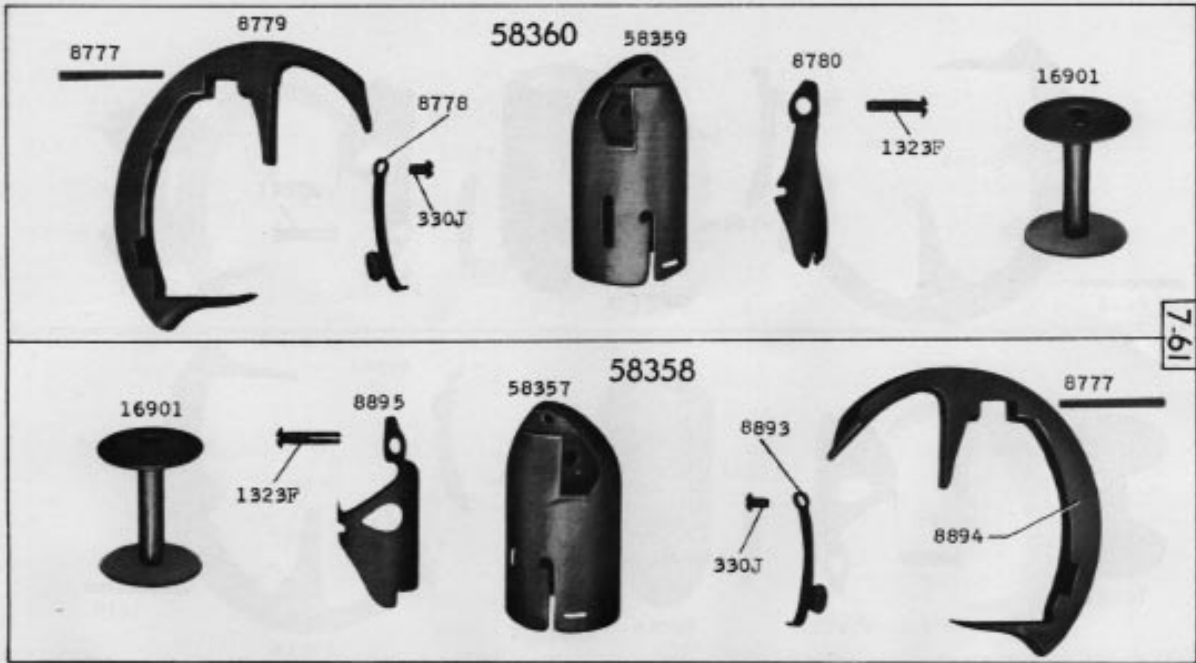
7-58

23979-1/2



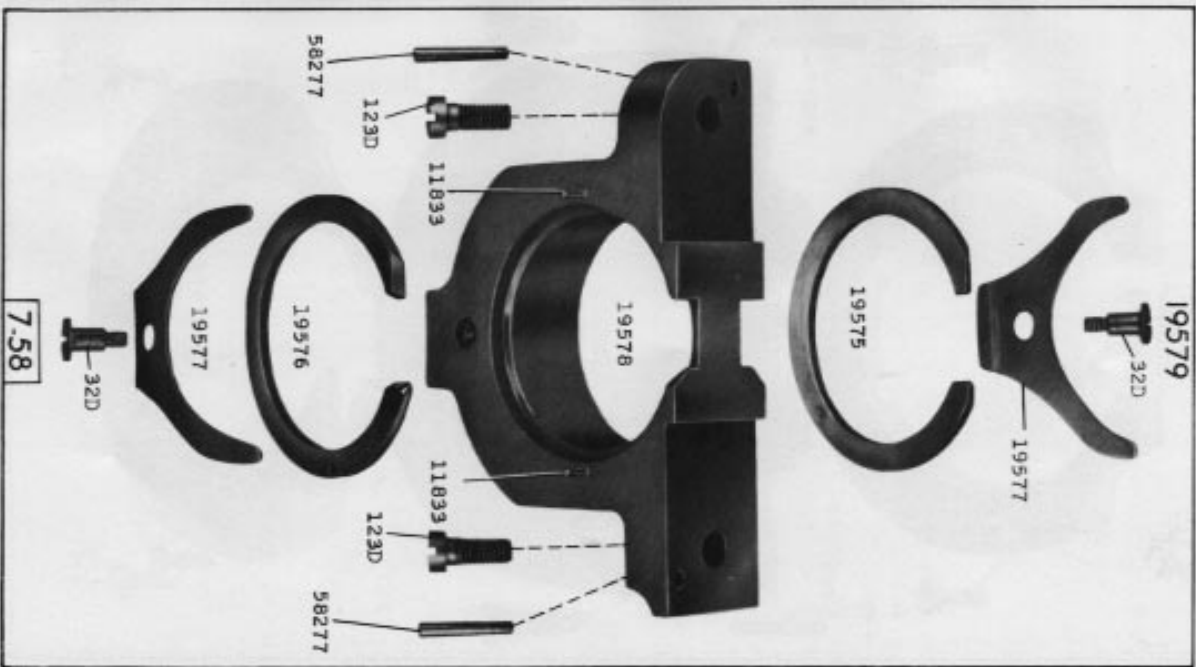
7-61

23980-1/2



7-61

23981.1/2



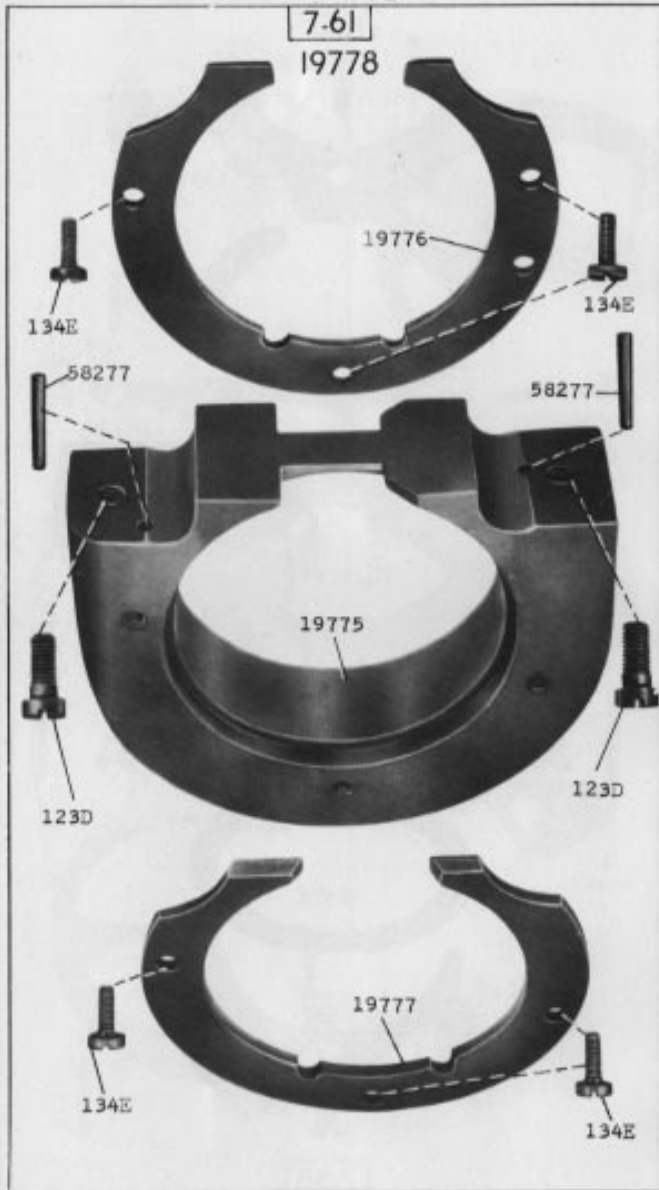
7-58

23982.1/2

23983.1/2

7-61

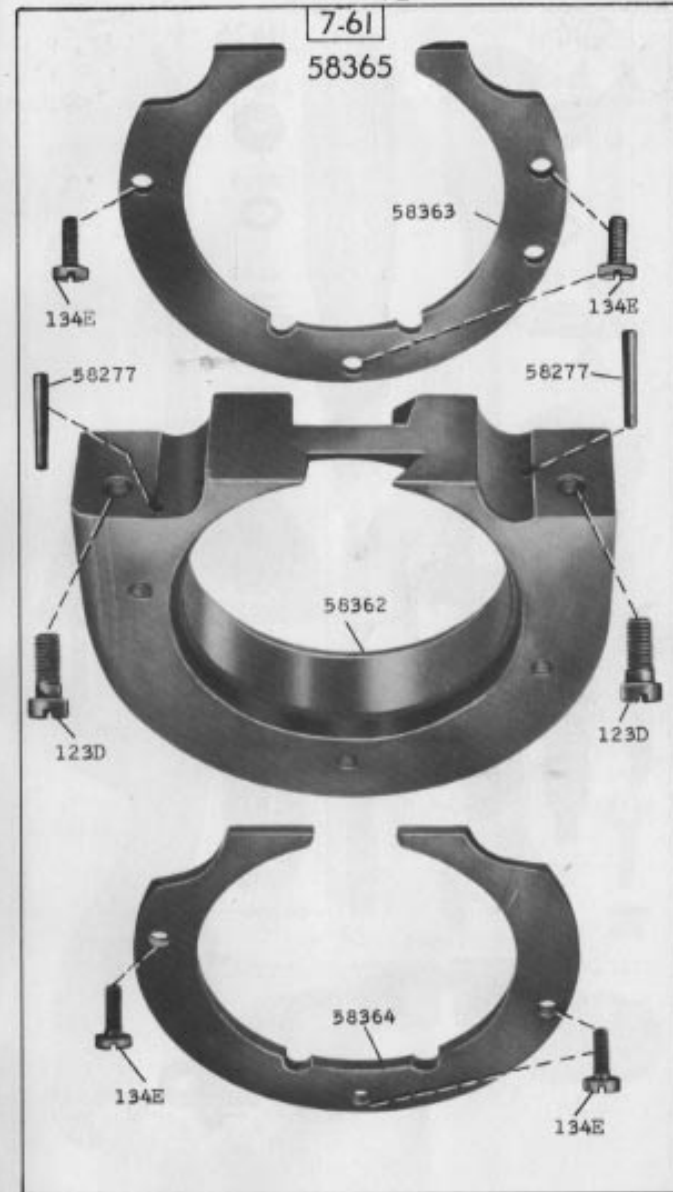
19778



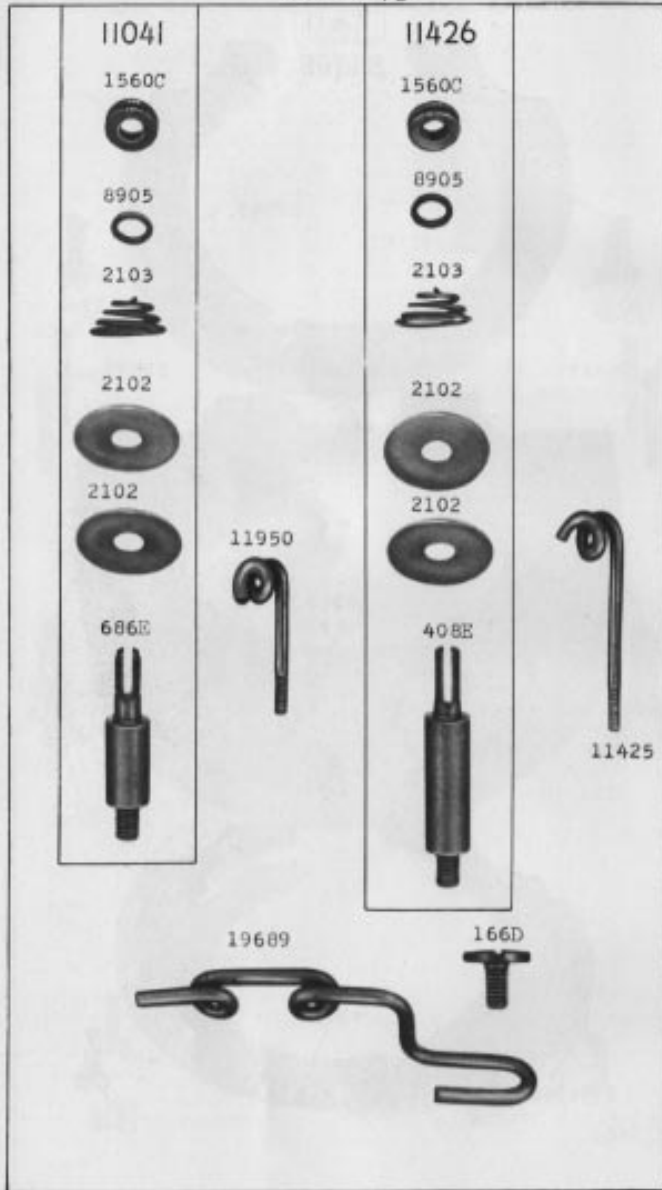
23984.1/2

7-61

58365



23985-2/3



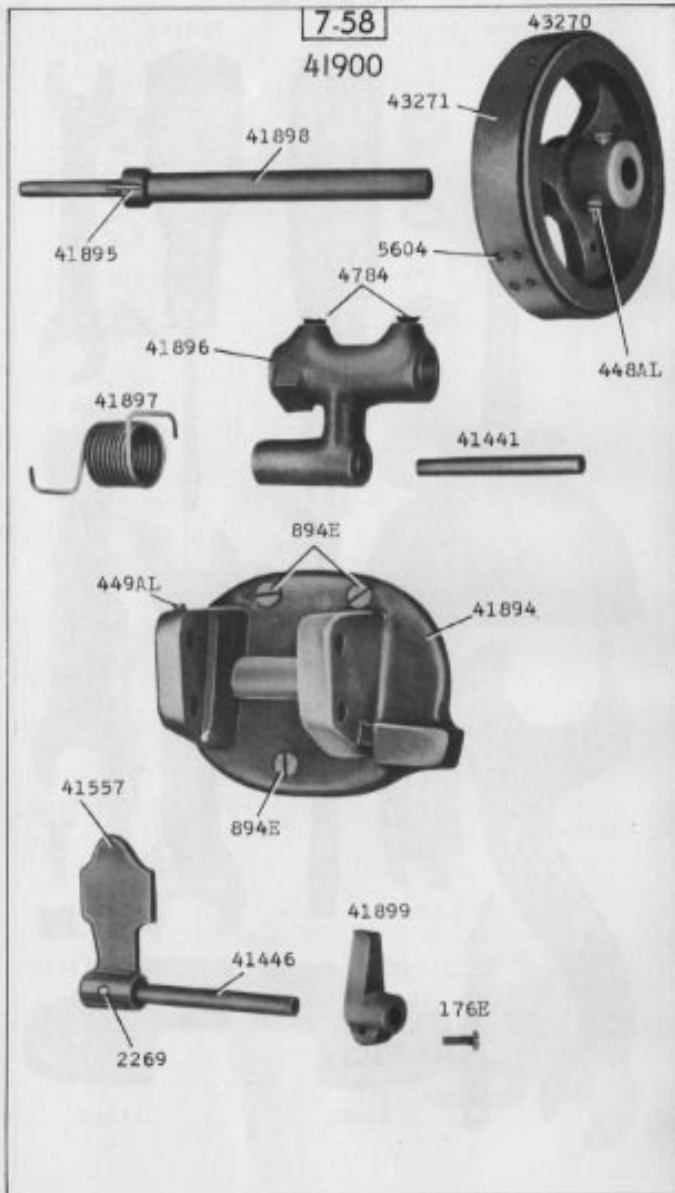
23986-1/2



23987-1/2

7-58

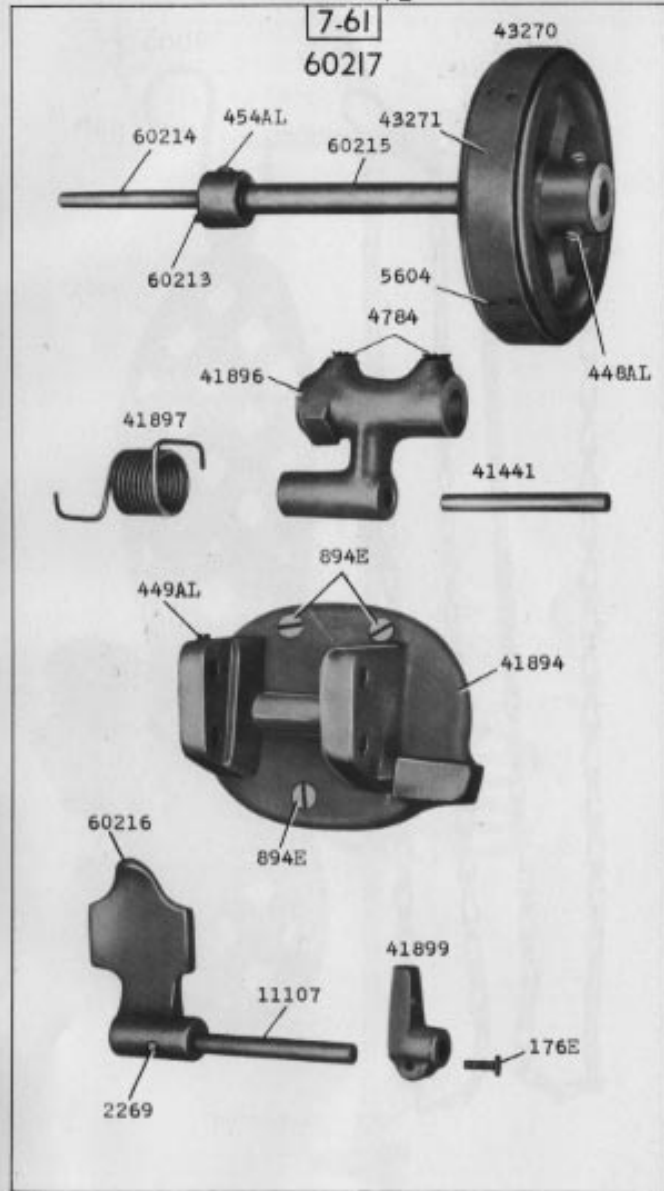
41900



23988-1/2

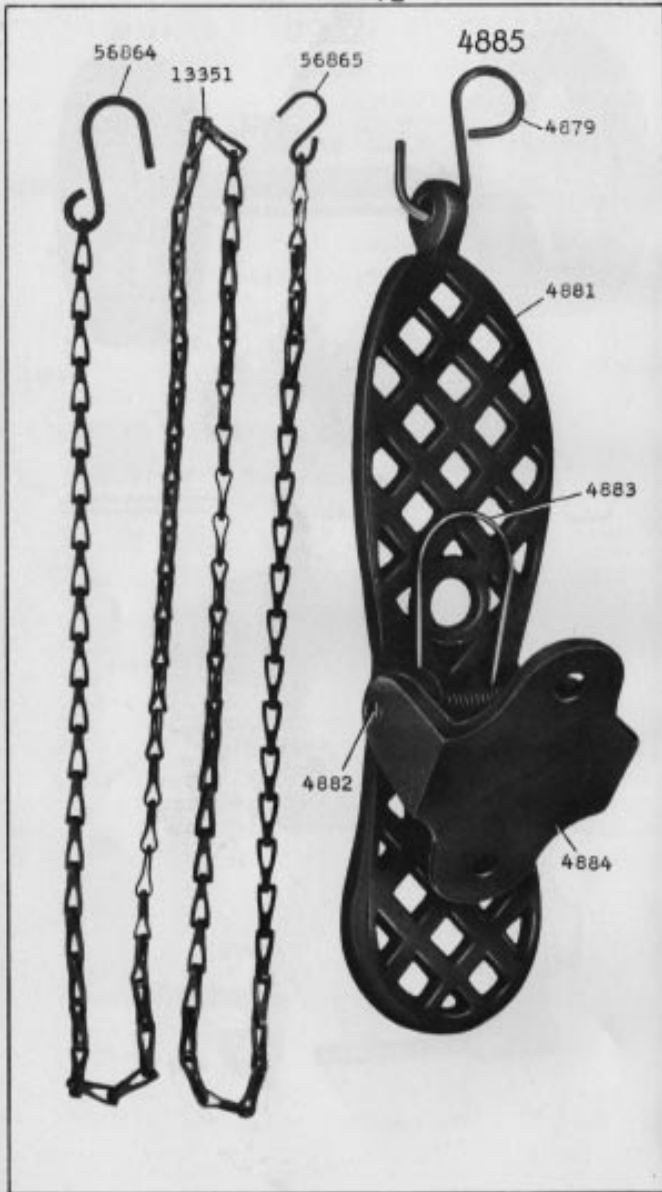
7-61

60217





23989-1/2



23990-1/6

