

Singer 71-2
Singer 71-5
Singer 71-6
Singer 71-10
Singer 71-11
Singer 71-11
Singer 71-12
Singer 71-13
Singer 71-23
Singer 71-34
Singer 71-35
Singer 71-40
Singer 71-42
Singer 71-45
Singer 71-47

Form 1888w
October, 1917

PRICE LIST

OF

PARTS



MACHINES

**Nos. 71-2, 71-5, 71-6, 71-10 to
71-13, 71-23, 71-34, 71-35,
71-40, 71-42 and 71-45
to 71-47**

THE SINGER MANUFACTURING COMPANY

COPYRIGHT
U. S. A.,
1915, 1916 AND 1918
BY
THE SINGER MANUFACTURING CO.
ALL RIGHTS RESERVED FOR ALL COUNTRIES

INDEX

	PAGE
ACCESSORIES.....	224
BOBBIN WINDER.....	224
CLAMP PARTS.....	230
GUIDES.....	232
IRON BASE.....	225
KNIFE GRINDER.....	238
KNIVES.....	233
MACHINE No. 71-2.....	7
“ “ 71-5.....	22
“ “ 71-6.....	35
“ “ 71-10.....	49
“ “ 71-11.....	61
“ “ 71-12.....	73
“ “ 71-13.....	85
“ “ 71-23.....	97
“ “ 71-34.....	113
“ “ 71-35.....	130
“ “ 71-40.....	147
“ “ 71-42.....	163
“ “ 71-45.....	178
“ “ 71-46.....	197
“ “ 71-47.....	214
MISCELLANEOUS PARTS.....	236
NUMERICAL LIST OF PARTS.....	241
OBSOLETE PARTS.....	240
PARTS REQUIRED FOR MACHINES WHEN SET IN PAIRS... ..	236
TABLE BELT GUIDES.....	225
THREAD UNWINDER.....	226
TREADLE.....	226

INSTRUCTIONS FOR ORDERING

In ordering from this list, use **ONLY** the part **NUMBER** in the **FIRST** column.

The number stamped on a Sewing Machine part is in every case the number of the single part only.

Every combination of parts sent out as such has its specific number, which, although not stamped on the parts, must be used when ordering the combination.

Each number always indicates the **SAME PART** in whatever list it appears, or for whatever machine.

The letters after some of the numbers indicate the style of finish only, as follows:

- A. Hardened, Polished and Plated.
- B. Polished and Plated
- C. Hardened only.
- D. Polished only.
- E. Soft, not Polished.
- F. Hardened and Polished.
- G.
- H. Blued.
- J. Plated only.
- K. Hardened and Plated.
- L. Brass or Gilt.
- M. Oxidized.
- P. Japanned.

These letters **MUST BE USED** when they appear in the list, and **AFTER** the number *as* in the list.

In this series

- 1 to 1500 and 50001 to 51500 are Screw Numbers.
- 1501 to 1800 are Nut Numbers.
- 1801 to 2000 are Roller Numbers.
- 2001 to 50000 and 52001 and upward are numbers of Machine Parts.

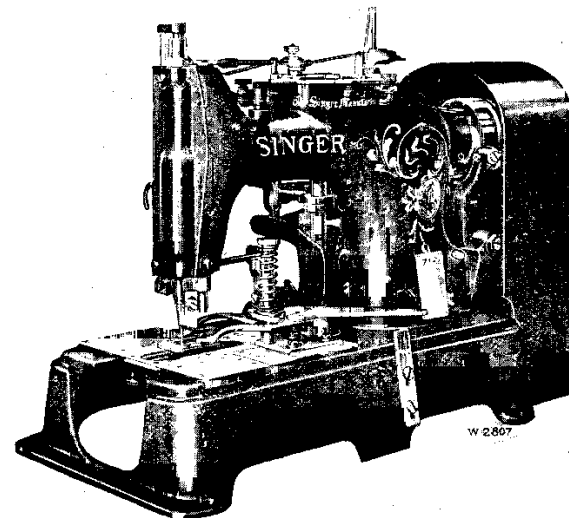
The figures in the second column refer only to the plates, illustrating the parts, and are **NOT TO BE USED** in ordering.

Parts marked with an asterisk (*) are furnished only when repairs are made at factory.

When ordering parts which differ as to **GAUGE** (the distance between seams) the **GAUGE** as well as the **NUMBER MUST BE GIVEN** on order.

LIST OF PARTS COMPLETE

FOR



MACHINE No. 71-2

Makes Purl Stitch, Long Barred Ends, Knives from $\frac{1}{4}$ to 1 in. Long. Cuts After Stitching.

No.	Plate	Name	Each
*23351	—	Arm with 24081	\$ —
8582	4013	" Dowel Pin (2)	02
748E	4025	" Screw (back)	08
868E	4025	" " (front) (2)	10
23352	4030	" Shaft	2 50
*24081	—	" " Bushing (front)	—
12357	4000	" " Flanged Bushing (back)..	20
435C	4058	" " " " " " Set	
		Screw	04
4784	4013	Arm Shaft Oil Pad	01
1069D	4025	" " Screw	12
12193	4000	" Side Cover	10
703D	4025	" " " Thumb Screw	10

Parts for Machine No. 71-2

No.	Plate	Name	Each
39640	4046	Arm Top Cover	\$ 75
808F	4025	" " " Screw (3)	03
23562	4002	Barring Cam with two 858c	2 50
858c	4002	" " Set Screw	03
39844	4074	" Indicator	35
1228c	4003	" " Stud	08
1589c	4003	" " Thumb Nut	06
23563	4002	" Lever	2 50
23564	4002	" " Catch with 1226c	1 25
1276c	4002	" " " Hinge Screw	12
1226c	4002	" " " Position Stud	04
23565	4002	" " " Spring	10
805c	4002	" " " " Screw	04
8905	4002	" " " " Washer	01
39616	4004	" " " Stud	25
39617	4004	" " " Rivet (long)	01
39618	4004	" " " " (short)	01
1227c	4002	" " " Hinge Screw	10
1655E	4002	" " " Nut	04
23566	4002	" " Spring	10
124F	4002	" " Stop Screw	08
1518E	4002	" " " Nut	04
23361	4003	" Ratchet Pawl	1 25
1248c	4003	" " " Hinge Screw	08
23362	4003	" " " Spring	05
93H	4003	" " " " Screw	04
15072	4003	" " " " Stop Pin	10
	 Per 100	10
23544	4003	Barring Ratchet Retaining Pawl (hinge screw end)	40
23545	4003	Barring Ratchet Retaining Pawl (wheel end)	50
203c	4003	Barring Ratchet Retaining Pawl Adjusting Screw	03
23546	—	Barring Ratchet Retaining Pawl (adjustable) complete, Nos. 203c, 23544 and 23545	90
999F	4003	Barring Ratchet Retaining Pawl Hinge Screw	05
23364	4003	Barring Ratchet Retaining Pawl Spring	05
240D	4003	Barring Ratchet Retaining Pawl Spring Screw	02
23664	4003	Barring Ratchet Wheel	1 50
23665	4003	" " " Spring	05
1286c	4003	" " " " Screw	06
23666	4003	" " " " Washer	01
23367	4003	" " " Tripping Point	70
193F	4003	" " " " " Screw	03

Parts for Machine No. 71-2

No.	Plate	Name	Each
7071	4003	Barring Ratchet Wheel Tripping Point Screw Washer	\$ 01
23369	4001	Barring Stop Arm	25
23370	4003	" Tripping Lever	80
856c	4003	" " " Hinge Screw	05
*23371	—	Bed	—
39538	4032	" Oil Guard	75
1235F	4009	" " " Screw (2)	04
23567	4006	Clamp Arm	2 00
625F	4009	" " Adjusting Screw	05
1547D	4009	" " " Nut	03
39584	4034	" " Bracket with 196F	1 00
191c	4022	" " " Screw	03
39541	4040	" " " Washer	05
23379	4007	" " Hinge Block	1 00
23380	4007	" " " Pin	05
196F	4007	" " " " Set Screw	02
1231F	4007	" " Screw	02
23381	4005	" Carrier	3 00
40006	4004	" " Block with 40007 and four 404d	75
40007	4004	Clamp Carrier Block Plate	20
404D	4007	" " " " Screw	02
23384	4007	" " Connecting Rod	50
52c	4007	" " " " Hinge Screw	10
39591	4004	Clamp Carrier Guide (left)	25
756D	4004	" " " " Screw	02
23385	4007	" " " (right)	50
1230F	4007	" " " " Screw (3)	03
23386	4006	" " Plate	2 00
1231F	4007	" " " Screw (back) (2)	02
404D	4007	" " " " (front) (2)	02
40010	4035	" " Regulator with 240D, 1960 and 39583	2 50
1232c	4007	Clamp Carrier Regulator Hinge Screw	12
1960	4007	" " " Roller and Screw Stud with 1520E	35
1520E	4012	Clamp Carrier Regulator Roller and Screw Stud Nut	03
39544	4012	Clamp Carrier Regulator Slide	30
1347c	4009	" " " Stud (to regulate length of buttonhole)	10
1671c	4009	Clamp Carrier Regulator Stud Nut	08
39532	4009	" " " " Sleeve	10
39583	4004	" " " " Stop	10
240D	4003	" " " " " Screw	02
39619	4048	Clamp Carrier Slide with 39591 and three 756, for general work	4 35

Parts for Machine No. 71-2

No.	Plate	Name	Each
23392	4008	Clamp Carrier Slide Guide (left)	\$ 40
914F	4008	" " " " " Screw	
		(2)	04
23393	4008	Clamp Carrier Slide Guide (right) ...	40
914F	4008	" " " " " Screw	
		(2)	04
23394	4005	Clamp Carrier Slide Lever with 1960	2 50
23395	4005	" " " " Regulator	2 50
23396	4008	" " " " " Cap	20
223D	4008	Clamp Carrier Slide Lever Regulator Cap Screw (4)	02
67D	4008	Clamp Carrier Slide Lever Regulator Screw	12
1960	4007	Clamp Carrier Slide Lever Roller and Screw Stud with 1520E	35
1520E	4012	Clamp Carrier Slide Lever Roller and Screw Stud Nut	03
7278	4008	Clamp Carrier Slide Lever Socket Joint	25
1234C	4008	Clamp Carrier Slide Regulating Stud	20
23397	4008	" " " " " Bushing	20
1658C	4008	Clamp Carrier Slide Regulating Stud Thumb Nut	15
1256D	4008	Clamp Carrier Slide Screw (2)	08
23691	4008	" Check, for general work	75
39585	4041	" " Adjusting Plate	50
219F	4008	" " " " " Screw ..	02
109D	4008	" " Hinge Screw	04
39586	4041	" " Holder	50
1297F	4045	" " " Screw	04
39549	4042	" Lifting Arm	50
1235F	4009	" " " Screw	04
39550	4042	" Plate	1 25
1235F	4009	" " Screw (4)	04
23573	4005	" " Support	25
402D	4007	" " " Screw (2)	02
23574	4009	" Post	75
1659C	4009	" Pressure Regulating Thumb Nut	10
23404	4009	" Spring	15
23693	4009	" " Bushing	1 00
1294C	4009	" " " " " Position Stud	03
1550H	4009	" " " " " Nut	03

Parts for Machine No. 71-2

No.	Plate	Name	Each
39587	—	Clamp (universal) complete, Nos. 1294c, 1550H, 1659c, 23379, 23380, 23404, 23567, 23574, 23691, 23693 to 23695, 39549, 39550, 39584 to 39586, two each 109D, 625F, 1297F, 1547D, three each 1231F, 1235F, four each 191c, 219F and 39541 ..	\$11 00
24028	4000	Crank Connecting Rod with 24085 and two 896E	1 35
*24085	—	Crank Connecting Rod Cap	—
896E	4025	" " " " " Screw ..	04
908C	4025	" " " " " Hinge Screw	12
1619E	4025	" " " " " " Nut	05
23406	4000	Face Plate	1 25
217F	4025	" " " Screw (2)	03
23407	4001	Feed Connecting Rod (lower)	2 50
375C	4025	" " " " " Hinge Screw	12
1518E	4002	Feed Connecting Rod (lower) Hinge Screw Nut	04
23408	4001	Feed Connecting Rod (upper) with 12204 and two 966E	1 50
*12204	—	Feed Connecting Rod (upper) Cap	—
966E	4025	" " " " " " Screw	04
23409	4001	Feed Disengaging Lever	1 25
1275C	4003	" " " " " Hinge Screw	10
1521E	4003	" " " " " " Nut	03
23557	4001	Feed Disengaging Lever Spring	10
23412	4013	" Eccentric with 448c	2 50
448C	4015	" " Set Screw	03
23413	4000	" Hand Ratchet Lever with 214D and 1049c	75
23414	4013	Feed Hand Ratchet Lever Collar with two 453c	50
453C	4013	Feed Hand Ratchet Lever Collar Set Screw	02
39567	—	Feed Hand Ratchet Lever Pawl Body with 214D	50
39522	4000	Feed Hand Ratchet Lever Pawl com- plete, Nos. 207c, 39523, 39567 and two 1049c	75
90D	4013	Feed Hand Ratchet Lever Pawl Hinge Screw	05
39523	4012	Feed Hand Ratchet Lever Pawl Point	25
1049C	4013	Feed Hand Ratchet Lever Pawl Point Position Screw	02

Parts for Machine No. 71-2

No.	Plate	Name	Each
207c	4012	Feed Hand Ratchet Lever Pawl Point Screw	\$ 02
13218	4013	Feed Hand Ratchet Lever Pawl Spring	05
214D	4013	Feed Hand Ratchet Lever Pawl Spring Screw	03
1049c	4013	Feed Hand Ratchet Lever Pawl Stop Screw	02
23416	4013	Feed Hand Ratchet Wheel with 460c	1 25
3012	4013	" " " " Pin	01
460c	4013	" " " " Set Screw	02
23418	4000	" Rock Shaft	1 50
23419	—	Feed Rock Shaft complete, Nos. 23418 and 23420	2 10
23420	4000	Feed Rock Shaft Hinge Pin with 23421	60
23421	4013	Feed Rock Shaft Hinge Pin Plug (leather) Per 100	50
448c	4015	Feed Rock Shaft Hinge Pin Set Screw	03
23422	4013	Feed Rock Shaft Spring	15
39590	4004	" " " " Plate	02
181D	4013	" " " " Screw	04
23698	4035	" Wheel with 23432 and two 220D, for wide bight and wide cutting space, for overall work, etc.	6 00
150c	4012	Feed Wheel Cap Screw	10
23424	4010	" " Driving Lever	3 00
39597	4045	" " " " Block with 602D and 39598 (2)	80
769c	4045	Feed Wheel Driving Lever Block Adjusting Screw	06
39594	4045	Feed Wheel Driving Lever Block Adjusting Screw Bracket with 769c, 898c and 39504 (2)	60
185E	4045	Feed Wheel Driving Lever Block Adjusting Screw Bracket Screw (4)	02
898c	4045	Feed Wheel Driving Lever Block Adjusting Screw Clamping Screw	04
39504	4064	Feed Wheel Driving Lever Block Adjusting Screw Clamping Screw Washer	01
39598	4045	Feed Wheel Driving Lever Block Lock Spring	03
602D	4045	Feed Wheel Driving Lever Block Lock Spring Screw	02
23428	4012	Feed Wheel Driving Lever Pitman with 23429, 50088c and two 196F	1 65
50088c	4072	Feed Wheel Driving Lever Pitman Ball Joint Screw	15

Parts for Machine No. 71-2

No.	Plate	Name	Each
*23429	—	Feed Wheel Driving Lever Pitman Cap	\$ —
196F	4007	Feed Wheel Driving Lever Pitman Cap Screw	02
23427	4010	Feed Wheel Driving Lever Plate	25
404D	4007	" " " " " Screw (2)	02
1236c	4012	Feed Wheel Driving Lever Regulating Stud	12
7070	4007	Feed Wheel Driving Lever Regulating Stud Sleeve	10
1658A	4008	Feed Wheel Driving Lever Regulating Stud Thumb Nut	15
1237c	4012	Feed Wheel Friction Ring Screw	10
1520E	4012	" " " " " Nut	03
14017	4012	Feed Wheel Friction Ring Screw Washer	05
23552	4010	Feed Wheel Friction Ring Section (long)	45
23553	4010	Feed Wheel Friction Ring Section (short)	45
23554	4012	Feed Wheel Friction Ring Spring	10
23555	—	Feed Wheel Friction Ring complete, Nos. 23552 to 23554	1 00
2117	4012	Feed Wheel Pin	01
2254	4045	" " Retaining Clutch	20
39595	4045	" " " " Cap	10
898c	4045	" " " " " Screw	04
39504	4064	" " " " " Washer	01
2256	4045	Feed Wheel Retaining Clutch Spring	03
233D	4007	" " " " " Screw	02
721D	4045	Feed Wheel Retaining Clutch Spring Stop Screw	06
39596	4045	Feed Wheel Retaining Clutch Stud	25
23431	4010	" " Shaft	1 50
457c	4012	" " Oil Hole Plug Screw	02
23433	4010	" " Tripping Lever	2 00
1257c	4012	" " " " Hinge Screw	15
23587	4012	Feed Wheel Tripping Lever Point	25
203c	4003	" " " " " Screw (2)	03
23435	4013	Feed Wheel Tripping Lever Spring	10
190D	4013	" " " " " Screw	03
179E	4004	Feed Wheel Tripping Lever Stop Screw	03

Parts for Machine No. 71-2

No.	Plate	Name	Each
23432	4012	Feed Wheel Tripping Point	\$ 40
220D	4012	" " " " Screw	02
23443	—	Knife, $\frac{1}{4}$ inch	20
23444	—	" $\frac{1}{8}$ inch	20
23445	—	" $\frac{3}{8}$ inch	20
23446	—	" $\frac{1}{2}$ inch	20
23447	—	" $\frac{1}{2}$ inch	20
23448	—	" $\frac{1}{8}$ inch	20
23449	—	" $\frac{5}{8}$ inch	20
23450	—	" $\frac{1}{2}$ inch	20
23451	4014	" $\frac{3}{8}$ inch	20
23452	—	" $\frac{1}{8}$ inch	20
23453	—	" $\frac{3}{8}$ inch	20
23454	—	" $\frac{1}{8}$ inch	20
23455	—	" 1 inch	20
23460	4010	" Bar	80
23461	4015	" " Connecting Link	1 00
1239F	4015	" " " " Hinge Cap Screw	04
1240C	4015	Knife Bar Connecting Link Hinge Screw	05
23462	4015	Knife Bar Connecting Stud with 1319F	60
1319F	4015	" " " " Clamping Screw	04
23463	4015	Knife Bar Disengaging Lever	40
23464	4015	" " " " Catch with 1963	60
23465	4015	Knife Bar Disengaging Lever Catch Bracket	1 00
157D	4015	Knife Bar Disengaging Lever Catch Bracket Screw	04
90C	4013	Knife Bar Disengaging Lever Catch Hinge Screw	05
1963	4015	Knife Bar Disengaging Lever Catch Roller and Stud	20
23468	4015	Knife Bar Disengaging Lever Catch Spring	05
1241E	4015	Knife Bar Disengaging Lever Catch Spring Screw Stud (2)	05
23466	4015	Knife Bar Disengaging Lever Catch Tripping Point	30
23467	4015	Knife Bar Disengaging Lever Catch Tripping Point Collar with two 448C	40
448C	4015	Knife Bar Disengaging Lever Catch Tripping Point Collar Set Screw	03
175D	4015	Knife Bar Disengaging Lever Catch Tripping Point Screw	02
90C	4013	Knife Bar Disengaging Lever Hinge Screw	05

Parts for Machine No. 71-2

No.	Plate	Name	Each
23606	4015	Knife Bar Disengaging Lever Spring	\$ 10
1242E	4015	" " " " " " Screw (2)	05
240D	4003	Knife Bar Disengaging Lever Stop Screw	02
23469	4010	Knife Bar Driving Lever	1 25
1290C	4014	" " " " Hinge Screw	30
1428C	4014	" " " " Screw Stud	06
1520E	4012	" " " " " " Nut	03
23681	4014	Knife Bar Driving Lever Spring	15
805C	4002	" " " " " " Screw	04
23470	4010	" " " " " (intermediate)	2 00
23471	4014	Knife Bar Driving Lever (intermediate) Connecting Link	1 00
54C	4014	Knife Bar Driving Lever (intermediate) Connecting Link Hinge Screw	10
1222C	4014	Knife Bar Driving Lever (intermediate) Hinge Screw	15
1959	4014	Knife Bar Driving Lever (intermediate) Roller and Screw Stud with 229D and 12424	35
229D	4014	Knife Bar Driving Lever (intermediate) Roller Cap Screw	02
12424	4015	Knife Bar Driving Lever (intermediate) Roller Cap Screw Washer	02
23682	4014	Knife Bar Spring	05
39566	4014	" " Stop	1 15
39565	—	Knife Bar Stop complete, Nos. 1673C, 23548 and 39566	1 40
1673C	4014	Knife Bar Stop-Lock Nut	20
23548	4014	" " " Plug (fibre)	02
23473	4014	" Holder	2 50
1243C	4014	" " Guide Stud	08
1608C	4014	" " " Nut	05
157C	4015	" " Screw	04
1547C	4009	" " " Nut	03
191C	4022	" Screw	03
23390	4014	" " Washer	10
39600	4048	Needle Bar with 904F	80
23476	4016	" " Connecting Link with 794E	50
794E	4016	" " " " " Adjusting Screw	05
1021E	4016	Needle Bar Connecting Link Cap Screw	06
39601	4004	Needle Bar Connecting Stud with 1341C	25

No.	Plate	Name	Each
1341c	4004	Needle Bar Connecting Stud Set Screw	\$ 04
23477	4010	Needle Bar Crank with 853c, 1036c, 1065c and 1258c	80
1065c	4025	Needle Bar Crank Position Screw	10
858c	4002	" " " Set Screw	03
23478	4006	" " Frame with 4784	2 00
23632	4035	" " " Bell Crank with 1956	3 00
1956	4016	Needle Bar Frame Bell Crank Roller and Screw Stud with 229D, 1655E and 23389	35
1655E	4002	Needle Bar Frame Bell Crank Roller and Screw Stud Nut	04
229D	4014	Needle Bar Frame Bell Crank Roller Cap Screw	02
23389	4016	Needle Bar Frame Bell Crank Roller Cap Screw Washer	02
23667	4016	Needle Bar Frame Bell Crank Stud	75
23481	4001	" " " Cam and Bevel Gear	4 00
1244c	4016	Needle Bar Frame Cam and Bevel Gear Screw	20
39643	4051	Needle Bar Frame Connection with 1963 and 39616 to 39618	2 00
78c	4004	Needle Bar Frame Connection Hinge Screw	06
1963	4015	Needle Bar Frame Connection Roller and Stud	20
23483	4004	Needle Bar Frame Connection Spring	10
23484	4004	" " " " " Hook	15
1226c	4002	Needle Bar Frame Connection Spring Screw Stud	04
39579	4004	Needle Bar Frame Connection Stud (eccentric)	15
196E	4007	Needle Bar Frame Connection Stud Set Screw	02
23486	4016	Needle Bar Frame Driving Bevel Pinion with two 453c	1 00
453c	4013	Needle Bar Frame Driving Bevel Pinion Set Screw	02
23610	—	Needle Bar Frame Pitman (hinge screw end)	65
23609	—	Needle Bar Frame Pitman (regulator end)	40
190c	4013	Needle Bar Frame Pitman Adjusting Screw	03
7071	4003	Needle Bar Frame Pitman Adjusting Screw Washer	01

No.	Plate	Name	Each
23611	4016	Needle Bar Frame Pitman (adjustable) complete, Nos. 23609, 23610, two each 190c and 7071	\$1 15
1042E	4016	Needle Bar Frame Pitman Hinge Screw	06
1547D	4009	Needle Bar Frame Pitman Hinge Screw Nut	03
23491	4004	Needle Bar Frame Regulator	1 50
39900	—	" " " " 23491 with 1245c	1 60
1038c	4004	Needle Bar Frame Regulator Adjusting Screw	10
7070	4007	Needle Bar Frame Regulator Adjusting Screw Sleeve	10
1589c	4003	Needle Bar Frame Regulator Adjusting Screw Thumb Nut	06
1245c	4004	Needle Bar Frame Regulator Hinge Screw	12
673E	4016	Needle Bar Frame Screw Center	08
1517E	4016	" " " " " Nut	04
904E	4004	" Set Screw	02
39653	4048	Oscillating Rock Shaft	1 00
39654	—	Oscillating Rock Shaft complete, Nos. 4784, 23494 and 39653	1 50
23494	4006	Oscillating Rock Shaft Hinge Pin with 23421	50
23421	4013	Oscillating Rock Shaft Hinge Pin Oil Hole Plug (leather)	Per 100 50
878D	4013	Oscillating Rock Shaft Hinge Pin Oil Hole Stop Screw	06
12459	4013	Oscillating Rock Shaft Hinge Pin Oil Hole Stop Screw Washer (leather)	Per 100 50
418c	4015	Oscillating Rock Shaft Hinge Pin Set Screw	03
4784	4013	Oscillating Rock Shaft Oil Pad	01
39655	4051	" Shaft	50
39656	4023	" " Bushing (back)	40
24047	4013	" " " (front)	40
39657	—	" " Crank	50
39658	4023	Oscillating Shaft Crank complete, Nos. 1636E, 24050, 39657 and two 1253c	1 05
1253c	4023	Oscillating Shaft Crank Set Screw	03
19448	4017	" " " Slide Block	35
229D	4014	" " " " " Cap Screw	02
12424	4015	Oscillating Shaft Crank Slide Block Cap Screw Washer	02

Parts for Machine No. 71-2

No.	Plate	Name	Each
1035c	4017	Oscillating Shaft Crank Slide Block Screw Stud	\$ 15
1636E	4017	Oscillating Shaft Crank Slide Block Screw Stud Nut	03
24050	4017	Oscillating Shaft Crank Slide Block complete, Nos. 229d, 1035c, 12424 and 19448	50
23497	4019	Pulley (loose)	1 75
40024	4035	" (tight)	2 50
23499	4019	" " Counterbalance	20
28034	4020	" " " Rivet	01
40025	4004	" " " Pin	01
23500	4017	Shuttle Bobbin	08
15140	4017	" " Case Latch	10
2973	4017	" " " Lever	10
2974	4017	" " " Ful- crum Pin	Per 100 10
15141	—	Shuttle Bobbin Case Hinge, Nos. 2973, 2974 and 15140	25
2975	4017	Shuttle Bobbin Case Latch Spring ..	02
592E	4017	" " " Stop Screw	02
23501	4017	" " " Position Finger	05
2523	4017	" " " " " "	"
		Rivet	Per 100 25
23502	4017	Shuttle Bobbin Case complete, Nos. 591F, 592E, 2523, 2975, 15141, 23501 and 23680	75
23503	4017	Shuttle Body	75
591F	4017	" Tension Regulating Screw	02
23680	4017	" " Spring	10
23504	4017	" 1½ in. diam., Nos. 23500, 23502 and 23503	1 50
23505	4017	Shuttle Driver with 462c	75
2269	4017	" " Pin	01
462c	4017	" " Set Screw	02
14049	4018	" Race Back	40
2532	4018	" " " Position Pin	Per 100 10
2533	4018	" " " Spring	12
648D	4018	" " " Screw	07
*23506	—	" " Body	—
39904	—	" " " 23506 with 7326 and two 662D	1 35
7326	4018	Shuttle Race Cap	15
662D	4018	" " " Screw	02
23621	4018	Shuttle Race complete, Nos. 648D, 2533, 14049, 39904 and two 2532 ..	1 95
145F	4018	Shuttle Race Screw (2)	04
23509	4019	Starting Lever	3 50
717C	4020	" " Adjusting Screw	08
1520E	4012	" " " " Nut ..	03

Parts for Machine No. 71-2

No.	Plate	Name	Each
21643	4020	Starting Lever Belt Shifter, for general work	\$ 75
159F	4020	Starting Lever Belt Shifter Screw ..	03
23510	4019	" " Bracket	1 00
8582	4013	" " " Dowel Pin (2) ..	02
123E	4020	" " " Screw	06
23511	4019	" " Rod	75
61c	4020	" " " Hinge Screw	06
564c	4020	" " Screw Center (2)	12
1508c	4020	" " " " Nut (2) ..	06
14174	4020	" " Spring	08
124F	4002	" " Stop Screw	08
1518E	4002	" " " " Nut	04
39628	4059	Stop Cam with 39629	1 50
39580	4019	" " Interlocking Rod	50
23514	4020	" " " " Guide with 1070c and 1959	1 50
1070c	4020	Stop Cam Interlocking Rod Guide Set Screw	08
21650	4021	Stop Cam Interlocking Rod Guide Washer (rawhide)	02
21651	4021	Stop Cam Interlocking Rod Spring ..	10
913c	4021	" " " " " Reg- ulating Thumb Screw	40
1638E	4021	Stop Cam Interlocking Rod Spring Regulating Thumb Screw Nut ..	12
39629	4059	Stop Cam Pin	15
23515	4021	" " Spring (long)	08
23516	4021	" " " (short)	05
23517	4019	" " " Cover with 23499, two each 9780 and 28034	25
9780	4021	Stop Cam Spring Cover Position Pin ..	01
997E	4021	" " " " Screw (2) ..	05
39637	4021	" " " Stop Block	30
1349c	4004	" " " " Screw	04
39638	4021	" " " " " Block	30
457c	4012	" " " " " Set Screw	02
23518	4010	" Lever	75
78D	4004	" " Hinge Screw	06
9540	4021	" " Spring	02
2102	4022	Tension (side of arm) Disc (2)	05
1560c	4022	" " " " Regulating Thumb Nut	04
23519	4022	Tension (side of arm) Releaser with 200F	30
200F	4022	Tension (side of arm) Releaser Set Screw	03
23520	4022	Tension (side of arm) Releaser Shaft	10
23521	4022	" " " " " " "	"
		Arm	40

20 Parts for Machine No. 71-2

No.	Plate	Name	Each
23694	4022	Tension (side of arm) Releaser Shaft Arm Connection	\$ 25
23695	4022	Tension (side of arm) Releaser Shaft Arm Connection Bracket	25
191C	4022	Tension (side of arm) Releaser Shaft Arm Connection Screw	03
39541	4040	Tension (side of arm) Releaser Shaft Arm Connection Screw Washer ..	05
2269	4017	Tension (side of arm) Releaser Shaft Arm Pin	01
413F	4022	Tension (side of arm) Screw Stud ...	10
8238	4052	" " " " Spring	05
23669	4022	" " " " Thread Guard ..	10
460C	4013	" " " " " " Set Screw	02
3201E	4053	Tension (top cover) Disc (2)	10
1560C	4022	" " " Regulating Thumb Nut	04
39641	4052	Tension (top cover) Releaser	10
1387C	4052	" " " " Guide Screw Stud	08
1521E	4003	Tension (top cover) Releaser Guide Screw Stud Nut	03
39632	4052	Tension (top cover) Releaser Holder with 201F	1 25
999F	4003	Tension (top cover) Releaser Holder Hinge Screw	05
201F	4052	Tension (top cover) Releaser Set Screw	03
22572	4052	Tension (top cover) Releasing Disc..	05
39642	4052	" " " " Lever	1 75
68D	4052	" " " " " " Hinge Screw	08
39635	4052	Tension (top cover) Releasing Pin ..	05
1388F	4052	" " " Screw Stud	10
2103	4022	" " " Spring	03
39636	4052	" " " Thread Eyelet (double)	05
217F	4025	Tension (top cover) Thread Eyelet Screw	03
39711	4007	Thread Guiding Stud (side of arm)..	05
460C	4013	" " " Set Screw	02
39712	4007	" Retainer Holder with 462C	20
1664D	4007	" " " Nut	03
12400	4022	" " Sleeve	05
39713	4007	" " Spring	01
12402	4002	" " Stud	07
462C	4017	" " " Set Screw	02
39714	—	Thread Retainer complete, Nos. 1664D, 12400, 12402, 39712 and 39713	35

Parts for Machine No. 71-2 21

No.	Plate	Name	Each
23523	4023	Thread Take-up Crank	\$ 30
1036C	4023	" " " Position Screw	03
1258C	4023	" " " Set Screw	02
23524	4023	" " " Lever	1 00
12166	4023	" " " Hinge Pin	05
23543	4023	" " " Link	40
11204	4023	" " " Hinge Pin	15
435C	4053	" " " " " " Set Screw	04
23525	—	Thread Take-up Lever complete, Nos. 12166, 23524 and 23543	1 45
4784	4013	Thread Take-up Lever Oil Pad	01
7335	4022	" " Spring	03
23526	4022	" " " Regulator	25
446C	4025	" " " " Set Screw	03

LIST OF PARTS COMPLETE

FOR

MACHINE No. 71-5

Makes Whip Stitch, Barred Ends, Knives from $\frac{1}{4}$ to 1 in.
Long. Cuts After Stitching.

No.	Plate	Name	Each
*23351	—	Arm with 24081	\$ —
8582	4013	" Dowel Pin (2)	02
748E	4025	" Screw (back) (2)	08
868E	4025	" " (front) (2)	10
23352	4030	" Shaft	2 50
*24081	—	" Bushing (front)	—
12357	4000	" Flanged Bushing (back) ..	20
435C	4058	" " " " " " Set Screw	04
4784	4013	Arm Shaft Oil Pad	01
1069D	4025	" " Screw	12
12193	4000	" Side Cover	10
703D	4025	" " " Thumb Screw	10
23353	4001	" Top Cover	75
808F	4025	" " " Screw (3)	03
23562	4002	Barring Cam with two 858c	2 50
858C	4002	" " " Set Screw	03
39844	4074	" Indicator	35
1228C	4003	" " Stud	08
1589C	4003	" " " Thumb Nut	06
23563	4002	" Lever	2 50
23564	4002	" " Catch with 1226c	1 25
1276C	4002	" " " Hinge Screw	12
1226C	4002	" " " Position Stud	04
23565	4002	" " " Spring	10
805C	4002	" " " " Screw	04
8905	4002	" " " " Washer	01
39616	4004	" " " Stud	25
39617	4004	" " " Rivet (long) ..	01
39618	4004	" " " " (short) ..	01
1227C	4002	" " Hinge Screw	10
1655C	4002	" " " Nut	04
23566	4002	" " Spring	10
124F	4002	" " Stop Screw	08
1518E	4002	" " " Nut	04
23361	4003	" Ratchet Pawl	1 25
1248C	4003	" " " Hinge Screw ..	08

Parts for Machine No. 71-5

23

No.	Plate	Name	Each
23362	4003	Barring Ratchet Pawl Spring	\$ 05
93H	4003	" " " " Screw ...	04
15072	4003	" " " " Stop Pin Per 100	10
23544	4003	Barring Ratchet Retaining Pawl (hinge screw end)	40
23545	4003	Barring Ratchet Retaining Pawl (wheel end)	50
203C	4003	Barring Ratchet Retaining Pawl Ad- justing Screw	03
23546	—	Barring Ratchet Retaining Pawl (ad- justable) complete, Nos. 203C, 23544 and 23545	90
999F	4003	Barring Ratchet Retaining Pawl Hinge Screw	05
23364	4003	Barring Ratchet Retaining Pawl Spring	05
240D	4003	Barring Ratchet Retaining Pawl Spring Screw	02
23664	4003	Barring Ratchet Wheel	1 50
23665	4003	" " " Spring	05
1286C	4003	" " " " Screw ..	06
23666	4003	" " " " Washer ..	01
23367	4003	" " " Tripping Point ..	70
193F	4003	" " " " " " Screw	03
7071	4003	Barring Ratchet Wheel Tripping Point Screw Washer	01
23369	4001	Barring Stop Arm	25
23370	4003	" Tripping Lever	80
856C	4003	" " " Hinge Screw ..	05
*23371	—	Bed	—
39538	4032	" Oil Guard	75
1235F	4009	" " " Screw (2)	04
23567	4006	Clamp Arm	2 00
625F	4009	" " Adjusting Screw	05
1547D	4009	" " " " Nut ..	03
39584	4034	" " Bracket with 196F	1 00
191C	4022	" " " Screw	03
39541	4040	" " " Washer	05
23379	4007	" " Hinge Block	1 00
23380	4007	" " " Pin	05
196F	4007	" " " " Set Screw ..	02
1231F	4007	" " Screw	02
23381	4005	" Carrier	3 00
40006	4004	" " Block with 40007 and four 404D	75
40007	4004	Clamp Carrier Block Plate	20

No.	Plate	Name	Each
404D	4007	Clamp Carrier Block Plate Screw ...	\$ 02
23384	4007	" " Connecting Rod	50
52c	4007	" " " " Hinge Screw	10
39591	4004	Clamp Carrier Guide (left)	25
756D	4004	" " " " Screw	02
23385	4007	" " " (right)	50
1230F	4007	" " " " Screw (3)	03
23386	4006	" " Plate	2 00
1231F	4007	" " " Screw (back) (2)	02
404D	4007	" " " " (front) (2)	02
40010	4035	" " Regulator with 240D, 1960 and 39583	2 50
1232c	4007	Clamp Carrier Regulator Hinge Screw	12
1960	4007	" " " Roller and Screw Stud with 1520E	35
1520E	4012	Clamp Carrier Regulator Roller and Screw Stud Nut	03
39544	4012	Clamp Carrier Regulator Slide	30
1347C	4009	" " " Stud (to regulate length of buttonhole)	10
1671c	4009	Clamp Carrier Regulator Stud Nut ..	08
39532	4009	" " " " Sleeve	10
39583	4004	" " " " Stop	10
240D	4003	" " " " " Screw	02
39619	4048	Clamp Carrier Slide with 39591 and three 756D, for general work	4 35
23392	4008	Clamp Carrier Slide Guide (left)	40
914F	4008	" " " " " Screw (2)	04
23393	4008	Clamp Carrier Slide Guide (right) ...	40
914F	4008	" " " " " Screw (2)	04
23394	4005	Clamp Carrier Slide Lever with 1960	2 50
23395	4005	" " " " Regulator	2 50
23396	4008	" " " " " Cap	20
223D	4008	Clamp Carrier Slide Lever Regulator Cap Screw (4)	02
67D	4008	Clamp Carrier Slide Lever Regulator Screw	12
1960	4007	Clamp Carrier Slide Lever Roller and Screw Stud with 1520E	35
1520E	4012	Clamp Carrier Slide Lever Roller and Screw Stud Nut	03
7278	4008	Clamp Carrier Slide Lever Socket Joint	25
1234c	4008	Clamp Carrier Slide Regulating Stud	20

No.	Plate	Name	Each
23397	4008	Clamp Carrier Slide Regulating Stud Bushing	\$ 20
1658c	4008	Clamp Carrier Slide Regulating Stud Thumb Nut	15
1256D	4008	Clamp Carrier Slide Screw (2)	08
23691	4008	" Check, for general work	75
39585	4041	" " Adjusting Plate	50
219F	4008	" " " " Screw ..	02
109D	4008	" " Hinge Screw	04
39586	4041	" " Holder	50
1297F	4045	" " " Screw	04
39549	4042	" Lifting Arm	50
1235F	4009	" " " Screw	04
39550	4042	" Plate	1 25
1235F	4009	" " Screw (4)	04
23573	4005	" " Support	25
402D	4007	" " " Screw (2)	02
23574	4009	" Post	75
1659c	4009	" Pressure Regulating Thumb Nut	10
23404	4009	" Spring	15
23693	4009	" " Bushing	1 00
1294c	4009	" " " Position Stud	03
1550H	4009	" " " " " Nut	03
39587	—	Clamp (universal) complete, Nos. 1294c, 1550E, 1659c, 23379, 23380, 23404, 23567, 23574, 23691, 23693 to 23695, 39540, 39550, 39584 to 39586, two each 109D, 625F, 1297F, 1547D, three each 1231F, 1235F, four each 191c, 219F and 39541	11 00
24028	4000	Crank Connecting Rod with 24085 and two 896E	1 35
*24085	—	Crank Connecting Rod Cap	—
896E	4025	" " " " Screw ..	04
908c	4025	" " " " Hinge Screw ..	12
1619E	4025	" " " " " Nut	05
23406	4000	Face Plate	1 25
217F	4025	" " Screw (2)	03
23407	4001	Feed Connecting Rod (lower)	2 50
375c	4025	" " " " Hinge Screw	12
1518E	4002	Feed Connecting Rod (lower) Hinge Screw Nut	04
23408	4001	Feed Connecting Rod (upper) with 12204 and two 966E	1 50
*12204	—	Feed Connecting Rod (upper) Cap ..	—
966E	4025	" " " " " Screw	04
23409	4001	Feed Disengaging Lever	1 25
1275c	4003	" " " Hinge Screw	10

No.	Plate	Name	Each
1521E	4003	Feed Disengaging Lever Hinge Screw Nut	\$ 03
23557	4001	Feed Disengaging Lever Spring	10
23412	4013	" Eccentric with 448c	2 50
448c	4015	" " Set Screw	03
23413	4000	" Hand Ratchet Lever with 214D and 1049c	75
23414	4013	Feed Hand Ratchet Lever Collar with two 453c	50
453c	4013	Feed Hand Ratchet Lever Collar Set Screw	02
39567	—	Feed Hand Ratchet Lever Pawl Body with 214D	50
39522	4000	Feed Hand Ratchet Lever Pawl complete, Nos. 207c, 39523, 39567 and two 1049c	75
90D	4013	Feed Hand Ratchet Lever Pawl Hinge Screw	05
39523	4012	Feed Hand Ratchet Lever Pawl Point	25
1049c	4013	Feed Hand Ratchet Lever Pawl Point Position Screw	02
207c	4012	Feed Hand Ratchet Lever Pawl Point Screw	02
13218	4013	Feed Hand Ratchet Lever Pawl Spring	05
214D	4013	Feed Hand Ratchet Lever Pawl Spring Screw	03
1049c	4013	Feed Hand Ratchet Lever Pawl Stop Screw	02
23416	4013	Feed Hand Ratchet Wheel with 460c	1 25
3012	4013	" " " " Pin	01
460c	4013	" " " " Set Screw	02
23418	4000	" Rock Shaft	1 50
23419	—	Feed Rock Shaft complete, Nos. 23418 and 23420	2 10
23420	4000	Feed Rock Shaft Hinge Pin with 23421	60
23421	4013	Feed Rock Shaft Hinge Pin Plug (leather) Per 100	50
448c	4015	Feed Rock Shaft Hinge Pin Set Screw	03
23422	4013	" " " Spring	15
39590	4004	" " " " Plate	02
181D	4013	" " " " Screw	04
23698	4035	" Wheel with 23432 and two 220D, for wide bight and wide cutting space, for overall work, etc.	6 00
150c	4012	Feed Wheel Cap Screw	10
23424	4010	" " Driving Lever	3 00

No.	Plate	Name	Each
39597	4045	Feed Wheel Driving Lever Block with 602D and 39598 (2)	\$ 80
769c	4045	Feed Wheel Driving Lever Block Adjusting Screw	06
39594	4045	Feed Wheel Driving Lever Block Adjusting Screw Bracket with 769c, 898c and 39504 (2)	60
185H	4045	Feed Wheel Driving Lever Block Adjusting Screw Bracket Screw (4)	02
898c	4045	Feed Wheel Driving Lever Block Adjusting Screw Clamping Screw	04
39504	4064	Feed Wheel Driving Lever Block Adjusting Screw Clamping Screw Washer	01
39598	4045	Feed Wheel Driving Lever Block Lock Spring	03
602D	4045	Feed Wheel Driving Lever Block Lock Spring Screw	02
23428	4012	Feed Wheel Driving Lever Pitman with 23429, 50088c and two 196F	1 65
50088c	4072	Feed Wheel Driving Lever Pitman Ball Joint Screw	15
*23429	—	Feed Wheel Driving Lever Pitman Cap	—
196F	4007	Feed Wheel Driving Lever Pitman Cap Screw	02
23427	4010	Feed Wheel Driving Lever Plate	25
404D	4007	" " " " " " Screw (2)	02
1236c	4012	Feed Wheel Driving Lever Regulating Stud	12
7070	4007	Feed Wheel Driving Lever Regulating Stud Sleeve	10
1658A	4008	Feed Wheel Driving Lever Regulating Stud Thumb Nut	15
1237c	4012	Feed Wheel Friction Ring Screw	10
1520E	4012	" " " " " " Nut	03
14017	4012	Feed Wheel Friction Ring Screw Washer	05
23552	4010	Feed Wheel Friction Ring Section (long)	45
23553	4010	Feed Wheel Friction Ring Section (short)	45
23554	4012	Feed Wheel Friction Ring Spring	10
23555	—	Feed Wheel Friction Ring complete, Nos. 23552 to 23554	1 00
2117	4012	Feed Wheel Pin	01
2254	4045	" " Retaining Clutch	20
39595	4045	" " " " Cap	10

No.	Plate	Name	Each
898c	4045	Feed Wheel Retaining Clutch Cap Screw	\$ 04
39504	4064	Feed Wheel Retaining Clutch Cap Screw Washer	01
2256	4045	Feed Wheel Retaining Clutch Spring	03
233D	4007	" " " " Screw	02
721B	4045	Feed Wheel Retaining Clutch Spring Stop Screw	06
39596	4045	Feed Wheel Retaining Clutch Stud	25
23431	4010	" " Shaft	1 50
457c	4012	" " " Oil Hole Plug Screw	02
23433	4010	" " Tripping Lever	2 00
1257c	4012	" " " Hinge Screw	15
23587	4012	" " " Point	25
203c	4003	" " " " Screw (2)	03
23435	4013	Feed Wheel Tripping Lever Spring	10
190D	4013	" " " " Screw	03
179E	4004	Feed Wheel Tripping Lever Stop Screw	03
23432	4012	Feed Wheel Tripping Point	40
220D	4012	" " " " Screw	02
23443	—	Knife, $\frac{1}{8}$ inch	20
23444	—	" $\frac{1}{8}$ inch	20
23445	—	" $\frac{1}{8}$ inch	20
23446	—	" $\frac{1}{8}$ inch	20
23447	—	" $\frac{1}{8}$ inch	20
23448	—	" $\frac{1}{8}$ inch	20
23449	—	" $\frac{1}{8}$ inch	20
23450	—	" $\frac{1}{8}$ inch	20
23451	4014	" $\frac{1}{4}$ inch	20
23452	—	" $\frac{1}{8}$ inch	20
23453	—	" $\frac{1}{8}$ inch	20
23454	—	" $\frac{1}{8}$ inch	20
23455	—	" 1 inch	20
23460	4010	" Bar	30
23461	4015	" " Connecting Link	1 00
1239F	4015	" " " " Hinge Cap Screw	04
1240c	4015	Knife Bar Connecting Link Hinge Screw	05
23462	4015	Knife Bar Connecting Stud with 1319F	60
1319F	4015	" " " " Clamping Screw	04
23463	4015	Knife Bar Disengaging Lever	40
23464	4015	" " " " Catch with 1963	60

No.	Plate	Name	Each
23465	4015	Knife Bar Disengaging Lever Catch Bracket	\$1 00
157D	4015	Knife Bar Disengaging Lever Catch Bracket Screw (2)	04
90c	4013	Knife Bar Disengaging Lever Catch Hinge Screw	05
1963	4015	Knife Bar Disengaging Lever Catch Roller and Stud	20
23468	4015	Knife Bar Disengaging Lever Catch Spring	05
1241E	4015	Knife Bar Disengaging Lever Catch Spring Screw Stud (2)	05
23466	4015	Knife Bar Disengaging Lever Catch Tripping Point	30
23467	4015	Knife Bar Disengaging Lever Catch Tripping Point Collar with two 448c	40
448c	4015	Knife Bar Disengaging Lever Catch Tripping Point Collar Set Screw	03
175D	4015	Knife Bar Disengaging Lever Catch Tripping Point Screw	02
90c	4013	Knife Bar Disengaging Lever Hinge Screw	05
23606	4015	Knife Bar Disengaging Lever Spring	10
1242B	4015	" " " " " " Screw (2)	05
240D	4003	Knife Bar Disengaging Lever Stop Screw	02
23469	4010	Knife Bar Driving Lever	1 25
1290c	4014	" " " " Hinge Screw	30
1428c	4014	" " " " Screw Stud	06
1520E	4012	" " " " " Nut	03
23681	4014	" " " " Spring	15
805c	4002	" " " " " Screw	04
23470	4010	" " " " (intermediate)	2 00
23471	4014	Knife Bar Driving Lever (intermediate) Connecting Link	1 00
54c	4014	Knife Bar Driving Lever (intermediate) Connecting Link Hinge Screw	10
1222c	4014	Knife Bar Driving Lever (intermediate) Hinge Screw	15
1959	4014	Knife Bar Driving Lever (intermediate) Roller and Screw Stud with 229D and 12424	35
229D	4014	Knife Bar Driving Lever (intermediate) Roller Cap Screw	02
12424	4015	Knife Bar Driving Lever (intermediate) Roller Cap Screw Washer	02
23682	4014	Knife Bar Spring	05

No.	Plate	Name	Each
39566	4014	Knife Bar Stop	\$1 15
39565	—	Knife Bar Stop complete, Nos. 1673c, 23548 and 39566	1 40
1673c	4014	Knife Bar Stop Lock Nut	20
23548	4014	" " " Plug (fibre)	02
23473	4014	" Holder	2 50
1243c	4014	" " Guide Stud	08
1608c	4014	" " " Nut	05
157c	4015	" " Screw	04
1547c	4009	" " " Nut	03
191c	4022	" Screw	03
23390	4014	" " Washer	10
39600	4048	Needle Bar with 904F	80
23476	4016	" " Connecting Link with 794E	50
794E	4016	" " " " Adjusting Screw	05
1021E	4016	Needle Bar Connecting Link Cap Screw	06
39601	4004	Needle Bar Connecting Stud with 1341c	25
1341c	4004	Needle Bar Connecting Stud Set Screw	04
23477	4010	Needle Bar Crank with 853c, 1036c, 1065c and 1258c	80
1065c	4025	Needle Bar Crank Position Screw ..	10
853c	4002	" " " Set Screw	03
23478	4006	" " Frame with 4784	2 00
23558	4001	" " " Bell Crank with 1956	3 00
1956	4016	Needle Bar Frame Bell Crank Roller and Screw Stud with 229D, 1655E and 23389	35
1655E	4002	Needle Bar Frame Bell Crank Roller and Screw Stud Nut	04
229D	4014	Needle Bar Frame Bell Crank Roller Cap Screw	02
23389	4016	Needle Bar Frame Bell Crank Roller Cap Screw Washer	02
23667	4016	Needle Bar Frame Bell Crank Stud ..	75
23481	4001	" " " Cam and Bevel Gear	4 00
1244c	4016	" " " " " " " " " Screw	20
39622	4048	Needle Bar Frame Connection with 1963 and 39616 to 39618	2 00
78c	4004	Needle Bar Frame Connection Hinge Screw	06
1963	4015	Needle Bar Frame Connection Roller and Stud	20
23483	4004	Needle Bar Frame Connection Spring	10

No.	Plate	Name	Each
23484	4004	Needle Bar Frame Connection Spring Hook	\$ 15
1226E	4002	Needle Bar Frame Connection Spring Screw Stud	04
23485	4004	Needle Bar Frame Connection Stud ..	05
196F	4007	" " " " " " " " " Screw	02
23486	4016	Needle Bar Frame Driving Bevel Pin- ion with two 453c	1 00
453c	4013	Needle Bar Frame Driving Bevel Pin- ion Set Screw	02
23610	—	Needle Bar Frame Pitman (hinge screw end)	65
23609	—	Needle Bar Frame Pitman (regulator end)	40
190c	4013	Needle Bar Frame Pitman Adjusting Screw	03
7071	4003	Needle Bar Frame Pitman Adjusting Screw Washer	01
23611	4016	Needle Bar Frame Pitman (adjust- able) complete, Nos. 23609, 23610, two each 190c and 7071	1 15
1042F	4016	Needle Bar Frame Pitman Hinge Screw	06
1547D	4009	Needle Bar Frame Pitman Hinge Screw Nut	03
23491	4004	Needle Bar Frame Regulator	1 50
39900	—	" " " " 23491 with 1245c	1 60
1038c	4004	Needle Bar Frame Regulator Adjust- ing Screw	10
7070	4007	Needle Bar Frame Regulator Adjust- ing Screw Sleeve	10
1589c	4003	Needle Bar Frame Regulator Adjust- ing Screw Thumb Nut	06
1245c	4004	Needle Bar Frame Regulator Hinge Screw	12
673F	4016	Needle Bar Frame Screw Center ..	08
1517D	4016	" " " " " " Nut	04
904F	4004	" Set Screw	02
39653	4048	Oscillating Rock Shaft	1 00
39654	—	Oscillating Rock Shaft complete, Nos. 4784, 23494 and 39653	1 50
23494	4006	Oscillating Rock Shaft Hinge Pin with 23421	50
23421	4013	Oscillating Rock Shaft Hinge Pin Oil Hole Plug (leather).... Per 100	50
878D	4013	Oscillating Rock Shaft Hinge Pin Oil Hole Stop Screw	06

Parts for Machine No. 71-5

No.	Plate	Name	Each
12459	4013	Oscillating Rock Shaft Hinge Pin Oil Hole Stop Screw Washer (leather)	Per 100 \$ 50
448C	4015	Oscillating Rock Shaft Hinge Pin Set Screw	03
4784	4013	Oscillating Rock Shaft Oil Pad	01
39655	4051	" Shaft	50
39656	4023	" " Bushing (back)	40
24047	4013	" " " (front)	40
39657	—	" " Crank	50
39658	4023	Oscillating Shaft Crank complete, Nos. 1636E, 24050, 39657 and two 1253C	1 05
1253C	4023	Oscillating Shaft Crank Set Screw ...	03
19448	4017	" " " Slide Block...	35
229D	4014	" " " " Cap Screw	02
12424	4015	Oscillating Shaft Crank Slide Block Cap Screw Washer	02
1035C	4017	Oscillating Shaft Crank Slide Block Screw Stud	15
1636E	4017	Oscillating Shaft Crank Slide Block Screw Stud Nut	03
24050	4017	Oscillating Shaft Crank Slide Block complete, Nos. 229D, 1035C, 12424 and 19448	50
23497	4019	Pulley (loose)	1 75
40024	4035	" (tight)	2 50
23499	4019	" " Counterbalance	20
28034	4020	" " " Rivet	01
40025	4004	" " Pin	01
23500	4017	Shuttle Bobbin	08
15140	4017	" " Case Latch	10
2973	4017	" " " Lever	10
2974	4017	" " " " Fulcrum Pin	Per 100 10
15141	—	Shuttle Bobbin Case Hinge, Nos. 2973, 2974 and 15140	25
2975	4017	Shuttle Bobbin Case Latch Spring ..	02
592E	4017	" " " " Stop Screw	02
15027	4050	" " " Position Finger	05
2523	4017	" " " " Rivet	Per 100 25
15277	4072	Shuttle Bobbin Case complete, Nos. 591F, 592E, 2523, 2975, 15027, 15141 and 15278	75
39577	4050	Shuttle Body	75
591F	4017	" Tension Regulating Screw ...	02
15278	4072	" " Spring	10

Parts for Machine No. 71-5

No.	Plate	Name	Each
39578	4050	Shuttle, 1 $\frac{1}{8}$ in. diam., Nos. 15277, 23500 and 39577	\$1 50
23505	4017	Shuttle Driver with 462C	75
2269	4017	" " Pin	01
462C	4017	" " Set Screw	02
14049	4018	" Race Back	40
2532	4018	" " Position Pin..Per 100	10
2533	4018	" " " Spring	12
648D	4018	" " " " Screw	07
*23506	—	" " Body	—
39904	—	" " 23506 with 7326 and two 662D	1 35
7326	4018	Shuttle Race Cap	15
662D	4018	" " " Screw	02
23621	4018	Shuttle Race complete, Nos. 648D, 2533, 14049, 39904 and two 2532 ..	1 95
145F	4018	Shuttle Race Screw (2)	04
23509	4019	Starting Lever	3 50
717C	4020	" " Adjusting Screw	08
1520E	4012	" " " " Nut.. ..	03
21643	4020	" " Belt Shifter	75
159F	4020	" " " " Screw	03
23510	4019	" " Bracket	1 00
8582	4013	" " Dowel Pin (2) ..	02
123E	4020	" " " Screw	06
23511	4019	" " Rod	75
61C	4020	" " Hinge Screw	06
564	4020	" " Screw Center (2)	12
1508E	4020	" " " " Nut (2).. ..	06
14174	4020	" " Spring	08
124F	4002	" " Stop Screw	08
1518E	4002	" " " " Nut	04
39628	4059	Stop Cam with 39629	1 50
39580	4019	" " Interlocking Rod	50
23514	4020	" " " " Guide with 1070C and 1959	1 50
1070C	4020	Stop Cam Interlocking Rod Guide Set Screw	08
21650	4021	Stop Cam Interlocking Rod Guide Washer (rawhide)	02
21651	4021	Stop Cam Interlocking Rod Spring ...	10
913C	4021	" " " " " Regulating Thumb Screw	40
1638E	4021	Stop Cam Interlocking Rod Spring Regulating Thumb Screw Nut ..	12
39629	4059	Stop Cam Pin	15
23515	4021	" " Spring (long)	08
23516	4021	" " " (short)	05
39517	4019	" " " Cover with 23499, two each 9780 and 28034	25

Parts for Machine No. 71-5

No.	Plate	Name	Each
9780	4021	Stop Cam Spring Cover Position Pin	\$ 01
997E	4021	" " " " Screw (2)	05
39637	4021	" " " " Stop Block	30
1349C	4004	" " " " Screw	04
39638	4021	" " " " " Block	30
457C	4012	" " " " " Set Screw	02
23518	4010	" Lever	75
78D	4004	" " Hinge Screw	06
9540	4021	" " Spring	02
2102	4022	Tension Disc (2)	05
1560C	4022	" Regulating Thumb Nut	04
23519	4022	" Releaser with 200F	30
200F	4022	" " Set Screw	03
23520	4022	" " Shaft	10
23521	4022	" " " Arm	40
23695	4022	" " " " Connection	
		Bracket	25
191C	4022	Tension Releaser Shaft Arm Connection Screw	03
39541	4040	Tension Releaser Shaft Arm Connection Screw Washer	05
2269	4017	Tension Releaser Shaft Arm Pin	01
413F	4022	" Screw Stud	10
2103	4022	" Spring	03
23669	4022	" Thread Guard	10
460C	4013	" " " Set Screw	02
12400	4022	Thread Retainer Sleeve	05
12401	4022	" " Spring	01
12402	4022	" " Stud	07
460C	4013	" " " Set Screw	02
12399	—	Thread Retainer complete, Nos. 12400 to 12402	15
23523	4023	Thread Take-up Crank	80
1036C	4023	" " " Position Screw	03
1258C	4023	" " " Set Screw	02
23524	4023	" " Lever	1 00
12166	4023	" " " Hinge Pin	05
23543	4023	" " " Link	40
11204	4023	" " " " Hinge Pin	15
435C	4058	" " " " " " "	
		Set Screw	04
23525	—	Thread Take-up Lever complete, Nos. 12166, 23524 and 23543	1 45
4784	4013	Thread Take-up Lever Oil Pad	01
7335	4022	" " Spring	03
23526	4022	" " " Regulator	25
446C	4025	" " " " Set Screw	03

LIST OF PARTS COMPLETE

FOR

MACHINE No. 71-6

Makes Whip Stitch, Barred Ends, Knives from $\frac{1}{2}$ to $1\frac{1}{2}$ in.
Long. Cuts After Stitching.

No.	Plate	Name	Each
*23351	—	Arm with 24081	\$ —
8582	4013	" Dowel Pin (2)	02
748E	4025	" Screw (back) (2)	08
868E	4025	" " (front) (2)	10
23352	4030	" Shaft	2 50
*24081	—	" " Bushing (front)	—
12357	4000	" " Flanged Bushing (back)	20
435C	4058	" " " " "	
		Set Screw	04
4784	4013	Arm Shaft Oil Pad	01
1069D	4025	" " Screw	12
12193	4000	" Side Cover	10
703D	4025	" " " Thumb Screw	10
23353	4001	" Top Cover	75
808F	4025	" " " Screw (3)	03
23562	4002	Barring Cam with two 858c	2 50
858C	4002	" " Set Screw	03
39844	4074	" Indicator	35
1228C	4003	" " Stud	08
1589C	4003	" " Thumb Nut	06
23563	4002	" Lever	2 50
23564	4002	" " Catch with 1226c	1 25
1276C	4002	" " " Hinge Screw	12
1226C	4002	" " " Position Stud	04
23565	4002	" " " Spring	10
805C	4002	" " " " Screw	04
8905	4002	" " " " Washer	01
39616	4004	" " " Stud	25
39617	4004	" " " Rivet (long)	01
39618	4004	" " " " (short)	01
1227C	4002	" " Hinge Screw	10
1655E	4002	" " " Nut	04
23566	4002	" " Spring	10
124F	4002	" " Stop Screw	08
1518E	4002	" " " Nut	04
23361	4003	" Ratchet Pawl	1 25
1248C	4003	" " " Hinge Screw	08

Parts for Machine No. 71-6

No.	Plate	Name	Each
23362	4003	Barring Ratchet Pawl Spring	\$ 05
93H	4003	" " " " Screw	04
15072	4003	" " " " Stop Pin	10
	 Per 100	10
23544	4003	Barring Ratchet Retaining Pawl (hinge screw end)	40
23545	4003	Barring Ratchet Retaining Pawl (wheel end)	50
203C	4003	Barring Ratchet Retaining Pawl Adjusting Screw	03
23546	—	Barring Ratchet Retaining Pawl (adjustable) complete, Nos. 203C, 23544 and 23545	90
999F	4003	Barring Ratchet Retaining Pawl Hinge Screw	05
23364	4003	Barring Ratchet Retaining Pawl Spring	05
240D	4003	Barring Ratchet Retaining Pawl Spring Screw	02
23664	4003	Barring Ratchet Wheel	1 50
23665	4003	" " " Spring	05
1286C	4003	" " " Screw	06
23666	4003	" " " Washer	01
23367	4003	" " " Tripping Point	70
193F	4003	" " " " " "	03
		Screw	03
7071	4003	Barring Ratchet Wheel Tripping Point Screw Washer	01
23369	4001	Barring Stop Arm	25
23370	4003	" Tripping Lever	80
856C	4003	" " " Hinge Screw	05
*39535	—	Bed	—
39538	4032	" Oil Guard	75
1235F	4009	" " " Screw (2)	04
39539	4039	Clamp Arm	2 00
625F	4009	" " Adjusting Screw	05
1547D	4009	" " " " Nut	03
39540	4039	" " Bracket with 196F	1 00
191C	4022	" " " Screw	03
39541	4040	" " " Washer	05
23379	4007	" " Hinge Block	1 00
23380	4007	" " " Pin	05
196F	4007	" " " " Set Screw	02
402D	4007	" " " Screw	02
39542	4039	" Carrier	3 00
40006	4004	" " Block with 40007 and four 404D	75
40007	4004	Clamp Carrier Block Plate	20
404D	4007	" " " Screw	02
23384	4007	" " Connecting Rod	50

Parts for Machine No. 71-6

No.	Plate	Name	Each
52C	4007	Clamp Carrier Connecting Rod Hinge Screw	\$ 10
39591	4004	Clamp Carrier Guide (left)	25
756D	4004	" " " " Screw	02
23385	4007	" " " (right)	50
1230F	4007	" " " " Screw (3)	03
23386	4006	" " Plate	2 00
1231F	4007	" " " Screw (back) (2)	02
404D	4007	" " " " (front) (2)	02
39543	4039	" " Regulator with 233D and 1960	2 50
1232C	4007	Clamp Carrier Regulator Hinge Screw	12
1960	4007	" " " Roller and Screw Stud with 1520E	35
1520E	4012	Clamp Carrier Regulator Roller and Screw Stud Nut	03
39544	4012	Clamp Carrier Regulator Slide	30
1347C	4009	" " " Stud (to regulate length of buttonhole)	10
1671C	4009	Clamp Carrier Regulator Stud Nut	08
39532	4009	" " " " Sleeve	10
233D	4007	" " " " Stop Screw	02
39614	4034	Clamp Carrier Slide with 39591 and three 756D	4 35
23392	4008	Clamp Carrier Slide Guide (left)	40
914F	4008	" " " " " Screw (2)	04
23393	4008	Clamp Carrier Slide Guide (right)	40
914F	4008	" " " " " Screw (2)	04
23394	4005	Clamp Carrier Slide Lever with 1960	2 50
23395	4005	" " " " Regulator	2 50
23396	4008	" " " " " Cap	20
223D	4008	Clamp Carrier Slide Lever Regulator Cap Screw (4)	02
67D	4008	Clamp Carrier Slide Lever Regulator Screw	12
1960	4007	Clamp Carrier Slide Lever Roller and Screw Stud with 1520E	35
1520E	4012	Clamp Carrier Slide Lever Roller and Screw Stud Nut	03
7278	4008	Clamp Carrier Slide Lever Socket Joint	25
1234C	4008	Clamp Carrier Slide Regulating Stud	20
23397	4008	" " " " " Bushing	20
1653C	4008	Clamp Carrier Slide Regulating Stud Thumb Nut	15

Parts for Machine No. 71-6

No.	Plate	Name	Each
1256c	4008	Clamp Carrier Slide Screw (2)	\$ 08
39546	4040	" Check, for 1½ in. buttonhole ..	75
39547	4040	" " Adjusting Plate	50
219F	4008	" " " " Screw ..	02
109D	4008	" " Hinge Screw	04
39548	4040	" " Holder	50
1297F	4045	" " " Screw	04
39717	4039	" Lifting Arm	60
1235F	4009	" " " Screw	04
39550	4042	" Plate	1 25
1235F	4009	" " Screw (4)	04
23573	4005	" " Support	25
402D	4007	" " " Screw (2)	02
23574	4009	" Post	75
1659c	4009	" Pressure Regulating Thumb Nut	10
39514	4020	" Spring	15
23693	4009	" " Bushing	1 00
1294c	4009	" " " Position Stud	03
1550H	4009	" " " " " Nut..	03
39551	—	Clamp complete, Nos. 1294c, 1550H, 1659c, 23379, 23380, 23574, 23693 to 23695, 39514, 39539, 39540, 39546 to 39548, 39550, 39717, two each 109D, 625F, 1297F, 1547D, three each 219F, 402D, 1235F, four each 191c and 39541	11 00
24028	4000	Crank Connecting Rod with 24085 and two 896e	1 35
*24085	—	Crank Connecting Rod Cap	—
896E	4025	" " " " Screw	04
908c	4025	" " " " Hinge Screw	12
1619E	4025	" " " " " Nut	05
23406	4000	Face Plate	1 25
217F	4025	" " " Screw (2)	03
23407	4001	Feed Connecting Rod (lower)	2 50
375c	4025	" " " " Hinge Screw	12
1518E	4002	Feed Connecting Rod (lower) Hinge Screw Nut	04
23408	4001	Feed Connecting Rod (upper) with 12204 and two 966E	1 50
*12204	—	Feed Connecting Rod (upper) Cap ..	—
966E	4025	" " " " " Screw	04
23409	4001	Feed Disengaging Lever	1 25
1275c	4003	" " " " Hinge Screw	10
1521E	4003	" " " " " Nut	03

Parts for Machine No. 71-6

No.	Plate	Name	Each
23557	4001	Feed Disengaging Lever Spring	\$ 10
23412	4013	" Eccentric with 448c	2 50
448c	4015	" " Set Screw	03
23413	4000	" Hand Ratchet Lever with 214D and 1049c	75
23414	4013	Feed Hand Ratchet Lever Collar with two 453c	50
453c	4013	Feed Hand Ratchet Lever Collar Set Screw	02
39567	—	Feed Hand Ratchet Lever Pawl Body with 214D	50
39522	4000	Feed Hand Ratchet Lever Pawl com- plete, Nos. 207c, 39523, 39567 and two 1049c	75
90D	4013	Feed Hand Ratchet Lever Pawl Hinge Screw	05
39523	4012	Feed Hand Ratchet Lever Pawl Point	25
1049c	4013	Feed Hand Ratchet Lever Pawl Point Position Screw	02
207c	4012	Feed Hand Ratchet Lever Pawl Point Screw	02
13213	4013	Feed Hand Ratchet Lever Pawl Spring	05
214D	4013	Feed Hand Ratchet Lever Pawl Spring Screw	03
1049c	4013	Feed Hand Ratchet Lever Pawl Stop Screw	02
23416	4013	Feed Hand Ratchet Wheel with 460c	1 25
3012	4013	" " " " Pin	01
460c	4013	" " " " Set Screw	02
23418	4000	" Rock Shaft	1 50
23419	—	Feed Rock Shaft complete, Nos. 23418 and 23420	2 10
23420	4000	Feed Rock Shaft Hinge Pin with 23421	60
23421	4013	Feed Rock Shaft Hinge Pin Plug (leather)	Per 100 50
448c	4015	Feed Rock Shaft Hinge Pin Set Screw	03
23422	4013	Feed Rock Shaft Spring	15
39590	4004	" " " " Plate	02
181D	4013	" " " " Screw	04
23698	4035	" Wheel with 23432 and two 220D, for wide bight and wide cutting space, for overall work, etc. ..	6 00
150c	4012	Feed Wheel Cap Screw	10
39553	4042	" " Driving Lever	3 00

Parts for Machine No. 71-6

No.	Plate	Name	Each
39597	4045	Feed Wheel Driving Lever Block with 602D and 39598 (2)	\$ 80
769C	4045	Feed Wheel Driving Lever Block Adjusting Screw	06
39594	4045	Feed Wheel Driving Lever Block Adjusting Screw Bracket with 769C, 898C and 39504 (2)	60
185H	4045	Feed Wheel Driving Lever Block Adjusting Screw Bracket Screw (4)	02
898C	4045	Feed Wheel Driving Lever Block Adjusting Screw Clamping Screw	04
39504	4064	Feed Wheel Driving Lever Block Adjusting Screw Clamping Screw Washer	01
39598	4045	Feed Wheel Driving Lever Block Lock Spring	03
602D	4045	Feed Wheel Driving Lever Block Lock Spring Screw	02
39554	4042	Feed Wheel Driving Lever Pitman with 23429, 50088C and two 196F	1 65
50088C	4072	Feed Wheel Driving Lever Pitman Ball Joint Screw	15
*23429	—	Feed Wheel Driving Lever Pitman Cap	—
196F	4007	Feed Wheel Driving Lever Pitman Cap Screw	02
23427	4010	Feed Wheel Driving Lever Plate	25
404D	4007	" " " " Screw (2)	02
1236C	4012	Feed Wheel Driving Lever Regulating Stud	12
7070	4007	Feed Wheel Driving Lever Regulating Stud Sleeve	10
1658A	4008	Feed Wheel Driving Lever Regulating Stud Thumb Nut	15
1237C	4012	Feed Wheel Friction Ring Screw	10
1520E	4012	" " " " Nut	03
14017	4012	Feed Wheel Friction Ring Screw Washer	05
23552	4010	Feed Wheel Friction Ring Section (long)	45
23553	4010	Feed Wheel Friction Ring Section (short)	45
23554	4012	Feed Wheel Friction Ring Spring	10
23555	—	Feed Wheel Friction Ring complete, Nos. 23552 to 23554	1 00
2117	4012	Feed Wheel Pin	01
2254	4045	" " Retaining Clutch	20

Parts for Machine No. 71-6

No.	Plate	Name	Each
39595	4045	Feed Wheel Retaining Clutch Cap	\$ 10
898C	4045	" " " " Screw	04
39504	4064	Feed Wheel Retaining Clutch Cap Screw Washer	01
2256	4045	Feed Wheel Retaining Clutch Spring	03
233D	4007	" " " " Screw	02
721D	4045	Feed Wheel Retaining Clutch Spring Stop Screw	06
39596	4045	Feed Wheel Retaining Clutch Stud	25
23431	4010	" " Shaft	1 50
457C	4012	" " Oil Hole Plug Screw	02
23433	4010	" " Tripping Lever	2 00
1257C	4012	" " " " Hinge Screw	15
23587	4012	Feed Wheel Tripping Lever Point	25
203C	4003	" " " " " " Screw (2)	03
23435	4013	Feed Wheel Tripping Lever Spring	10
190D	4013	" " " " " " Screw	03
179E	4004	Feed Wheel Tripping Lever Stop Screw	03
23432	4012	Feed Wheel Tripping Point	40
220D	4012	" " " " " " Screw	02
23447	—	Knife, $\frac{1}{2}$ inch	20
23448	—	" $\frac{3}{8}$ inch	20
23449	—	" $\frac{5}{8}$ inch	20
23450	—	" $1\frac{1}{8}$ inch	20
23451	4014	" $\frac{3}{4}$ inch	20
23452	—	" $1\frac{1}{8}$ inch	20
23453	—	" $\frac{7}{8}$ inch	20
23454	—	" $1\frac{1}{8}$ inch	20
23455	—	" 1 inch	20
23456	—	" $1\frac{1}{8}$ inch	20
23457	—	" $1\frac{1}{4}$ inch	20
23458	—	" $1\frac{3}{8}$ inch	20
23459	—	" $1\frac{1}{2}$ inch	20
39555	—	" $1\frac{5}{8}$ inch	20
39556	—	" $1\frac{3}{4}$ inch	20
39557	—	" $1\frac{7}{8}$ inch	20
39558	—	" $1\frac{1}{2}$ inch	20
23460	4010	" Bar	80
23461	4015	" " Connecting Link	1 00
1239F	4015	" " " " Hinge Cap Screw	04
1240C	4015	Knife Bar Connecting Link Hinge Screw	05

Parts for Machine No. 71-6

No.	Plate	Name	Each
23462	4015	Knife Bar Connecting Stud with 1319F	\$ 60
1319F	4015	" " " " Clamping	
		Screw	04
23463	4015	Knife Bar Disengaging Lever	40
23464	4015	" " " " Catch	
		with 1963	60
23465	4015	Knife Bar Disengaging Lever Catch	
		Bracket	1 00
157D	4015	Knife Bar Disengaging Lever Catch	
		Bracket Screw (2)	04
90C	4013	Knife Bar Disengaging Lever Catch	
		Hinge Screw	05
1963	4015	Knife Bar Disengaging Lever Catch	
		Roller and Stud	20
23468	4015	Knife Bar Disengaging Lever Catch	
		Spring	05
1241E	4015	Knife Bar Disengaging Lever Catch	
		Spring Screw Stud (2)	05
23466	4015	Knife Bar Disengaging Lever Catch	
		Tripping Point	30
23467	4015	Knife Bar Disengaging Lever Catch	
		Tripping Point Collar with two	
		448C	40
448C	4015	Knife Bar Disengaging Lever Catch	
		Tripping Point Collar Set Screw	03
175D	4015	Knife Bar Disengaging Lever Catch	
		Tripping Point Screw	02
90C	4013	Knife Bar Disengaging Lever Hinge	
		Screw	05
23606	4015	Knife Bar Disengaging Lever Spring	10
1242E	4015	" " " " " "	
		Screw (2)	05
240D	4003	Knife Bar Disengaging Lever Stop	
		Screw	02
23469	4010	Knife Bar Driving Lever	1 25
1290C	4014	" " " " Hinge Screw	30
1428C	4014	" " " " Screw Stud	06
1520E	4012	" " " " " "	
		Nut	03
23681	4014	Knife Bar Driving Lever Spring	15
805C	4002	" " " " " Screw	04
23470	4010	" " " " (intermediate)	2 00
23471	4014	" " " " " "	
		Connecting Link	1 00
54C	4014	Knife Bar Driving Lever (intermediate) Connecting Link Hinge Screw	10
1222C	4014	Knife Bar Driving Lever (intermediate) Hinge Screw	15

Parts for Machine No. 71-6

No.	Plate	Name	Each
1959	4014	Knife Bar Driving Lever (intermediate) Roller and Screw Stud with	
		229D and 12424	\$ 35
229D	4014	Knife Bar Driving Lever (intermediate) Roller Cap Screw	02
12424	4015	Knife Bar Driving Lever (intermediate) Roller Cap Screw Washer	02
23682	4014	Knife Bar Spring	05
39566	4014	" " Stop	1 15
39565	—	Knife Bar Stop complete, Nos. 1673C,	
		23548 and 39566	1 40
1673C	4014	Knife Bar Stop Lock Nut	20
23548	4014	" " " Plug (fibre)	02
23473	4014	" Holder	2 50
1243C	4014	" " Guide Stud	08
1608C	4014	" " " " Nut	05
157C	4015	" " Screw	04
1547C	4009	" " " Nut	03
191C	4022	" Screw	03
23390	4014	" " Washer	10
39600	4048	Needle Bar with 904F	80
23476	4016	" " Connecting Link with	
		794E	50
794E	4016	Needle Bar Connecting Link Adjusting Screw	05
1021E	4016	Needle Bar Connecting Link Cap Screw	06
39601	4004	Needle Bar Connecting Stud with	
		1341C	25
1341C	4004	Needle Bar Connecting Stud Set Screw	04
23477	4010	Needle Bar Crank with 858C, 1036C,	
		1065C and 1258C	80
1065C	4025	Needle Bar Crank Position Screw	10
858C	4002	" " " Set Screw	03
23478	4006	" " Frame with 4784	2 00
23558	4001	" " " Bell Crank with	
		1956	3 00
1956	4016	Needle Bar Frame Bell Crank Roller and Screw Stud with 229D, 1655E and 23389	35
1655E	4002	Needle Bar Frame Bell Crank Roller and Screw Stud Nut	04
229D	4014	Needle Bar Frame Bell Crank Roller Cap Screw	02
23389	4016	Needle Bar Frame Bell Crank Roller Cap Screw Washer	02
23667	4016	Needle Bar Frame Bell Crank Stud	75

Parts for Machine No. 71-6

No.	Plate	Name	Each
23481	4001	Needle Bar Frame Cam and Bevel Gear	\$4 00
1244c	4016	Needle Bar Frame Cam and Bevel Gear Screw	20
39622	4048	Needle Bar Frame Connection with 1963 and 39616 to 39618	2 00
78c	4004	Needle Bar Frame Connection Hinge Screw	06
1963	4015	Needle Bar Frame Connection Roller and Stud	20
23483	4004	Needle Bar Frame Connection Spring	10
23484	4004	" " " " "	15
1226E	4002	Needle Bar Frame Connection Spring Screw Stud	04
23485	4004	Needle Bar Frame Connection Stud	05
196F	4007	" " " " "	02
23486	4016	Needle Bar Frame Driving Bevel Pinion with two 453c	1 00
453c	4013	Needle Bar Frame Driving Bevel Pinion Set Screw	02
23610	—	Needle Bar Frame Pitman (hinge screw end)	65
23609	—	Needle Bar Frame Pitman (regulator end)	40
190c	4013	Needle Bar Frame Pitman Adjusting Screw	03
7071	4003	Needle Bar Frame Pitman Adjusting Screw Washer	01
23611	4016	Needle Bar Frame Pitman (adjustable) complete, Nos. 23609, 23610, two each 190c and 7071	1 15
1042F	4016	Needle Bar Frame Pitman Hinge Screw	06
1547D	4009	Needle Bar Frame Pitman Hinge Screw Nut	03
23491	4004	Needle Bar Frame Regulator	1 50
39900	—	" " " " 23491 with 1245c	1 60
1038c	4004	Needle Bar Frame Regulator Adjusting Screw	10
7070	4007	Needle Bar Frame Regulator Adjusting Screw Sleeve	10
1589c	4003	Needle Bar Frame Regulator Adjusting Screw Thumb Nut	06
1245c	4004	Needle Bar Frame Regulator Hinge Screw	12

Parts for Machine No. 71-6

No.	Plate	Name	Each
673F	4016	Needle Bar Frame Screw Center	\$ 08
1517E	4016	" " " " " Nut	04
904F	4004	" Set Screw	02
39653	4048	Oscillating Rock Shaft	1 00
39654	—	Oscillating Rock Shaft complete, Nos. 4784, 23494 and 39653	1 50
23494	4006	Oscillating Rock Shaft Hinge Pin with 23421	50
23421	4013	Oscillating Rock Shaft Hinge Pin Oil Hole Plug (leather) Per 100	50
878D	4013	Oscillating Rock Shaft Hinge Pin Oil Hole Stop Screw	06
12459	4013	Oscillating Rock Shaft Hinge Pin Oil Hole Stop Screw Washer (leather) Per 100	50
448c	4015	Oscillating Rock Shaft Hinge Pin Set Screw	03
4784	4013	Oscillating Rock Shaft Oil Pad	01
39655	4051	" Shaft	50
39656	4023	" " Bushing (back)	40
24047	4013	" " " (front)	40
39657	—	" " Crank	50
39692	4023	Oscillating Shaft Crank complete, Nos. 1636E, 15171, 39657 and two 1253c	1 10
1253c	4023	Oscillating Shaft Crank Set Screw	03
15170	4023	" " " Slide Block	35
229D	4014	" " " " "	02
12424	4015	Oscillating Shaft Crank Slide Block Cap Screw Washer	02
1035c	4017	Oscillating Shaft Crank Slide Block Screw Stud	15
1636E	4017	Oscillating Shaft Crank Slide Block Screw Stud Nut	03
15171	4023	Oscillating Shaft Crank Slide Block complete, Nos. 229D, 1035c, 12424 and 15170	50
23497	4019	Pulley (loose)	1 75
40024	4035	" (tight)	2 50
23499	4019	" " Counterbalance	20
28034	4020	" " " Rivet	01
40025	4004	" " Pin	01
23500	4017	Shuttle Bobbin	08
15140	4017	" " Case Latch	10
2973	4017	" " " " Lever	10
2974	4017	" " " " " Fulcrum Pin Per 100	10

Parts for Machine No. 71-6

No.	Plate	Name	Each
15141	—	Shuttle Bobbin Case Hinge, Nos. 2973, 2974 and 15140	\$ 25
2975	4017	Shuttle Bobbin Case Latch Spring...	02
592C	4017	" " " " Stop Screw	02
15027	4050	" " " " Position Finger	05
2523	4017	" " " " " "	
		Rivet	Per 100 25
15277	4072	Shuttle Bobbin Case complete, Nos. 591F, 592E, 2523, 2975, 15027, 15141 and 15278	75
39577	4050	Shuttle Body	75
591F	4017	" Tension Regulating Screw	02
15278	4072	" " Spring	10
39578	4050	" 1 $\frac{1}{8}$ in. diam., Nos. 15277, 23500 and 39577	1 50
23505	4017	Shuttle Driver with 462c	75
2269	4017	" " Pin	01
462C	4017	" " Set Screw	02
14049	4018	" Race Back	40
2532	4018	" " " Position Pin..Per 100	10
2533	4018	" " " Spring	12
648D	4018	" " " Screw	07
*23506	—	" " Body	—
39904	—	" " " 23506 with 7326 and two 662D	1 35
7326	4018	Shuttle Race Cap	15
662D	4018	" " " Screw	02
23621	4018	Shuttle Race complete, Nos. 648D, 2533, 14049, 39904 and two 2532..	1 95
145F	4018	Shuttle Race Screw (2)	04
23509	4019	Starting Lever	3 50
717C	4020	" " Adjusting Screw	08
1520E	4012	" " " " Nut	03
23556	4007	" " Belt Shifter	75
159F	4020	" " " " Screw	03
23510	4019	" " Bracket	1 00
8582	4013	" " Dowel Pin (2) ..	02
123E	4020	" " " Screw	06
23511	4019	" " Rod	75
61C	4020	" " Hinge Screw	06
564C	4020	" " Screw Center (2)	12
1508E	4020	" " " Nut (2) ..	06
14174	4020	" " Spring	08
124F	4002	" " Stop Screw	08
1518E	4002	" " " Nut	04
39628	4059	Stop Cam with 39629	1 50
39580	4019	" " Interlocking Rod	50

Parts for Machine No. 71-6

No.	Plate	Name	Each
23514	4020	Stop Cam Interlocking Rod Guide with 1070C-and 1959	\$1 50
1070C	4020	Stop Cam Interlocking Rod Guide Set Screw	08
21650	4021	Stop Cam Interlocking Rod Guide Washer (rawhide)	02
21651	4021	Stop Cam Interlocking Rod Spring...	10
913C	4021	" " " " " Regulating Thumb Screw	40
1638E	4021	Stop Cam Interlocking Rod Spring Regulating Thumb Screw Nut ..	12
39629	4059	Stop Cam Pin	15
23515	4021	" " Spring (long)	08
23516	4021	" " " (short)	05
23517	4019	" " " Cover with 23499, two each 9780 and 23034	25
9780	4021	Stop Cam Spring Cover Position Pin	01
997E	4021	" " " " Screw (2) ..	05
39637	4021	" " " Stop Block	30
1349C	4004	" " " " Screw	04
39638	4021	" " " " " Block ...	30
457C	4012	" " " " " Set Screw	02
23518	4010	" Lever	75
78D	4004	" " Hinge Screw	06
9540	4021	" " Spring	02
2102	4022	Tension Disc (2)	05
1560C	4022	" Regulating Thumb Nut	04
23519	4022	" Releaser with 200F	30
39901	—	" " 23519 with 2269, 23520 and 39560	80
200F	4022	Tension Releaser Set Screw	03
23520	4022	" " Shaft	10
23641	4020	" " " Arm	15
23694	4022	" " " " Connection	25
23695	4022	" " " " " Bracket	25
191C	4022	Tension Releaser Shaft Arm Connection Screw	03
39541	4040	Tension Releaser Shaft Arm Connection Screw Washer	05
39560	4040	Tension Releaser Shaft Arm Hub	40
2269	4017	" " " " " Pin	01
413F	4022	" Screw Stud	10
2103	4022	" Spring	03
23669	4022	" Thread Guard	10
460C	4013	" " " Set Screw	02
12400	4022	Thread Retainer Sleeve	05
12401	4022	" " Spring	01
12402	4022	" " Stud	07

No.	Plate	Name	Each
460c	4013	Thread Retainer Stud Set Screw	\$ 02
12399	—	Thread Retainer complete, Nos. 12400 to 12402	15
23523	4023	Thread Take-up Crank	80
1036c	4023	" " " Position Screw	03
1258c	4023	" " " Set Screw	02
23524	4023	" " Lever	1 00
12166	4023	" " " Hinge Pin	05
23543	4023	" " " Link	40
11204	4023	" " " Hinge Pin	15
435c	4058	" " " " " "	
		Set Screw	04
23525	—	Thread Take-up Lever complete, Nos. 12166, 23524 and 23543	1 45
4784	4013	Thread Take-up Lever Oil Pad	01
7335	4022	" " Spring	03
23526	4022	" " " Regulator	25
446c	4025	" " " " Set Screw	03

LIST OF PARTS COMPLETE

FOR

MACHINE No. 71-10

Makes Purl Stitch, Has No Barring Device, Knives from
¼ to 1 in. Long. Cuts After Stitching.

No.	Plate	Name	Each
*23670	—	Arm with 24081	\$ —
3582	4013	" Dowel Pin (2)	02
748E	4025	" Screw (back) (2)	08
868E	4025	" " (front) (2)	10
23352	4030	" Shaft	2 50
*24081	—	" " Bushing (front)	—
12357	4000	" " Flanged Bushing (back)	20
435c	4058	" " " " " "	
		Set Screw	04
4784	4013	Arm Shaft Oil Pad	01
1069D	4025	" " Screw	12
12193	4000	" Side Cover	10
286D	4024	" " Thumb Screw	10
23671	4033	" Top Cover	25
808F	4025	" " " Screw (3)	03
*23371	—	Bed	—
39538	4032	" Oil Guard	75
1235F	4009	" " " Screw	04
23567	4006	Clamp Arm	2 00
625F	4009	" " Adjusting Screw	05
1547D	4009	" " " " Nut	03
39584	4034	" " Bracket with 196r	1 00
191C	4022	" " " Screw	03
39541	4040	" " " " Washer	05
23379	4007	" " Hinge Block	1 00
23380	4007	" " " " Pin	05
196F	4007	" " " " " " Set Screw	02
1231F	4007	Clamp Arm Screw	02
23381	4005	" Carrier	3 00
40006	4004	" " Block with 40007 and four 404D	75
40007	4004	Clamp Carrier Block Plate	20
404D	4007	" " " " Screw	02
23384	4007	" " Connecting Rod	50
52c	4007	" " " " Hinge Screw	10

Parts for Machine No. 71-10

No.	Plate	Name	Each
39591	4004	Clamp Carrier Guide (left)	\$ 25
756	4004	" " " " Screw	02
23385	4007	" " " " (right)	50
1230F	4007	" " " " Screw (3)	03
23386	4006	" " Plate	2 00
1231F	4007	" " " " Screw (back) (2)	02
404D	4007	" " " " (front) (2)	02
40010	4035	" " Regulator with 240D, 1960 and 39583	2 50
1232c	4007	Clamp Carrier Regulator Hinge Screw	12
1960	4007	" " " " Roller and Screw Stud with 1520E	35
1520E	4012	Clamp Carrier Regulator Roller and Screw Stud Nut	03
39544	4012	Clamp Carrier Regulator Slide	30
1347c	4009	" " " " Stud (to regu- late length of buttonhole)	10
1671c	4009	Clamp Carrier Regulator Stud Nut	08
39532	4009	" " " " Sleeve	10
39583	4004	" " " " Stop	10
240D	4003	" " " " " "	
		Screw	02
39619	4048	Clamp Carrier Slide with 39591 and three 756D, for general work	4 35
23392	4008	Clamp Carrier Slide Guide (left)	40
914F	4008	" " " " " " Screw (2)	04
23393	4008	Clamp Carrier Slide Guide (right)	40
914F	4008	" " " " " " Screw (2)	04
23394	4005	Clamp Carrier Slide Lever with 1960	2 50
23395	4005	" " " " Regulator	2 50
23396	4008	" " " " " " Cap	20
223D	4008	" " " " " " " "	
		Screw (4)	02
67D	4008	Clamp Carrier Slide Lever Regulator Screw	12
1960	4007	Clamp Carrier Slide Lever Roller and Screw Stud with 1520E	35
1520E	4012	Clamp Carrier Slide Lever Roller and Screw Stud Nut	03
7278	4008	Clamp Carrier Slide Lever Socket Joint	25
1234c	4008	Clamp Carrier Slide Regulating Stud	20
23397	4008	" " " " " " " "	
		Bushing	20
1658c	4008	Clamp Carrier Slide Regulating Stud Thumb Nut	15

Parts for Machine No. 71-10

No.	Plate	Name	Each
1256D	4008	Clamp Carrier Slide Screw (2)	\$ 08
23691	4008	" Check, for general work	75
39585	4041	" " Adjusting Plate	50
219F	4008	" " " " " " Screw	02
109D	4008	" " Hinge Screw	04
39586	4041	" " Holder	50
1297F	4045	" " " " Screw	04
39549	4042	" Lifting Arm	50
1235F	4009	" " " " Screw	04
39550	4042	" Plate	1 25
1235F	4009	" " " " Screw (4)	04
23573	4005	" " Support	25
402D	4007	" " " " Screw (2)	02
23574	4009	" Post	75
1659c	4009	" Pressure Regulating Thumb Nut	10
23404	4009	Clamp Spring	15
23693	4009	" " Bushing	1 00
1294c	4009	" " " " Position Stud	03
1550H	4009	" " " " " " Nut	03
39587	—	Clamp (universal) complete, Nos. 1294c, 1550H, 1659c, 23379, 23380, 23404, 23567, 23574, 23691, 23693 to 23695, 39549, 39550, 39584 to 39586, two each 109D, 625F, 1297F, 1547D, three each 1231F, 1235F, four each 191c, 219F and 39541	11 00
24028	4000	Crank Connecting Rod with 24085 and two 896E	1 35
*24085	—	Crank Connecting Rod Cap	—
896E	4025	" " " " " " Screw	04
908c	4025	" " " " " " Hinge Screw	12
1619E	4025	" " " " " " " "	
		Nut	05
23406	4000	Face Plate	1 25
217F	4025	" " " " " " Screw (2)	03
23672	4033	Feed Connecting Rod with 12204 and two 145E	1 00
*12204	—	Feed Connecting Rod Cap	—
145E	4018	" " " " " " Screw	04
375c	4025	" " " " " " Hinge Screw	12
1518E	4002	" " " " " " " " Nut	04
23412	4013	" Eccentric with 448c	2 50
448c	4015	" " " " " " Set Screw	03
23413	4000	" Hand Ratchet Lever with 214D and 1049c	75
23414	4013	Feed Hand Ratchet Lever Collar with two 453c	50

Parts for Machine No. 71-10

No.	Plate	Name	Each
453c	4013	Feed Hand Ratchet Lever Collar Set Screw	\$ 02
39567	—	Feed Hand Ratchet Lever Pawl Body with 214D	50
39522	4000	Feed Hand Ratchet Lever Pawl complete, Nos. 207c, 39523, 39567 and two 1049c	75
90D	4013	Feed Hand Ratchet Lever Pawl Hinge Screw	05
39523	4012	Feed Hand Ratchet Lever Pawl Point	25
1049c	4013	" " " " " "	
		Position Screw	02
207c	4012	Feed Hand Ratchet Lever Pawl Point Screw	02
13218	4013	Feed Hand Ratchet Lever Pawl Spring	05
214D	4013	Feed Hand Ratchet Lever Pawl Spring Screw	03
1049c	4013	Feed Hand Ratchet Lever Pawl Stop Screw	02
23416	4013	Feed Hand Ratchet Wheel with 460c	1 25
3012	4013	" " " " Pin	01
460c	4013	" " " " Set Screw	02
23418	4000	" Rock Shaft	1 50
23419	—	Feed Rock Shaft complete, Nos. 23418 and 23420	2 10
23420	4000	Feed Rock Shaft Hinge Pin with 23421	60
23421	4013	Feed Rock Shaft Hinge Pin Plug (leather)	Per 100 50
448c	4015	Feed Rock Shaft Hinge Pin Set Screw	03
23673	4011	" Wheel with 23432 and two 220d	6 00
150c	4012	" " Cap Screw	10
23424	4010	" " Driving Lever	3 00
39597	4045	" " " " Block with 602D and 39598 (2)	80
769c	4045	Feed Wheel Driving Lever Block Adjusting Screw	06
39594	4045	Feed Wheel Driving Lever Block Adjusting Screw Bracket with 769c, 898c and 39504 (2)	60
185H	4045	Feed Wheel Driving Lever Block Adjusting Screw Bracket Screw (4)	02
898c	4045	Feed Wheel Driving Lever Block Adjusting Screw Clamping Screw	04
39504	4064	Feed Wheel Driving Lever Block Adjusting Screw Clamping Screw Washer	01

Parts for Machine No. 71-10

No.	Plate	Name	Each
39598	4045	Feed Wheel Driving Lever Block Lock Spring	\$ 03
602D	4045	Feed Wheel Driving Lever Block Lock Spring Screw	02
23428	4012	Feed Wheel Driving Lever Pitman with 23429, 50088c and two 196F	1 65
50088c	4072	Feed Wheel Driving Lever Pitman Ball Joint Screw	15
*23429	—	Feed Wheel Driving Lever Pitman Cap	—
196F	4007	Feed Wheel Driving Lever Pitman Cap Screw	02
23427	4010	Feed Wheel Driving Lever Plate	25
404D	4007	" " " " " Screw (2)	02
1236c	4012	Feed Wheel Driving Lever Regulating Stud	12
7070	4007	Feed Wheel Driving Lever Regulating Stud Sleeve	10
1658A	4008	Feed Wheel Driving Lever Regulating Stud Thumb Nut	15
1237c	4012	Feed Wheel Friction Ring Screw	10
1520E	4012	" " " " " Nut	03
14017	4012	Feed Wheel Friction Ring Screw Washer	05
23552	4010	Feed Wheel Friction Ring Section (long)	45
23553	4010	Feed Wheel Friction Ring Section (short)	45
23554	4012	Feed Wheel Friction Ring Spring	10
23555	—	Feed Wheel Friction Ring complete, Nos. 23552 to 23554	1 00
2117	4012	Feed Wheel Pin	01
2254	4054	" " Retaining Clutch	20
39595	4045	" " " " Cap	10
898c	4045	" " " " " Screw	04
39504	4064	" " " " " Washer	01
2256	4045	Feed Wheel Retaining Clutch Spring	03
233D	4007	" " " " " Screw	02
721D	4045	Feed Wheel Retaining Clutch Spring Stop Screw	06
39596	4045	Feed Wheel Retaining Clutch Stud	25
23431	4010	" " Shaft	1 50
457c	4012	" " " Oil Hole Plug Screw	02

Parts for Machine No. 71-10

No.	Plate	Name	Each
23433	4010	Feed Wheel Tripping Lever	\$2 00
1257c	4012	" " " " Hinge Screw	15
23587	4012	" " " " Point	25
203c	4003	" " " " " Screw	
		(2)	03
23435	4013	Feed Wheel Tripping Lever Spring	10
190D	4013	" " " " " "	
		Screw	03
179E	4004	Feed Wheel Tripping Lever Stop	
		Screw	03
23432	4012	Feed Wheel Tripping Point	40
220D	4012	" " " " Screw	02
23443	—	Knife, $\frac{1}{8}$ inch	20
23444	—	" $\frac{1}{8}$ inch	20
23445	—	" $\frac{3}{8}$ inch	20
23446	—	" $\frac{1}{2}$ inch	20
23447	—	" $\frac{1}{2}$ inch	20
23448	—	" $\frac{1}{2}$ inch	20
23449	—	" $\frac{5}{8}$ inch	20
23450	—	" $\frac{1}{2}$ inch	20
23451	4014	" $\frac{3}{4}$ inch	20
23452	—	" $\frac{1}{2}$ inch	20
23453	—	" $\frac{7}{8}$ inch	20
23454	—	" $\frac{1}{2}$ inch	20
23455	—	" 1 inch	20
23460	4010	" Bar	80
23461	4015	" " Connecting Link	1 00
1239F	4015	" " " " Hinge Cap	
		Screw	04
1240C	4015	Knife Bar Connecting Link Hinge	
		Screw	05
23462	4015	Knife Bar Connecting Stud with	
		1219F	60
1319F	4015	Knife Bar Connecting Stud Clamping	
		Screw	04
23463	4015	Knife Bar Disengaging Lever	40
23464	4015	" " " " Catch	
		with 1963	60
23465	4015	Knife Bar Disengaging Lever Catch	
		Bracket	1 00
157D	4015	Knife Bar Disengaging Lever Catch	
		Bracket Screw (2)	04
90c	4013	Knife Bar Disengaging Lever Catch	
		Hinge Screw	05
1963	4015	Knife Bar Disengaging Lever Catch	
		Roller and Stud	20
23468	4015	Knife Bar Disengaging Lever Catch	
		Spring	05

Parts for Machine No. 71-10

No.	Plate	Name	Each
1241E	4015	Knife Bar Disengaging Lever Catch	
		Spring Screw Stud (2)	\$ 05
23466	4015	Knife Bar Disengaging Lever Catch	
		Tripping Point	30
23467	4015	Knife Bar Disengaging Lever Catch	
		Tripping Point Collar with 448c	40
448c	4015	Knife Bar Disengaging Lever Catch	
		Tripping Point Collar Set Screw	03
175D	4015	Knife Bar Disengaging Lever Catch	
		Tripping Point Screw	02
90c	4013	Knife Bar Disengaging Lever Hinge	
		Screw	05
23606	4015	Knife Bar Disengaging Lever Spring	10
1242E	4015	" " " " " "	
		Screw (2)	05
240D	4003	Knife Bar Disengaging Lever Stop	
		Screw	02
23469	4010	Knife Bar Driving Lever	1 25
1290c	4014	" " " " Hinge Screw	30
1428c	4014	" " " " Screw Stud	06
1520E	4012	" " " " " "	
		Nut	03
23681	4014	Knife Bar Driving Lever Spring	15
805c	4002	" " " " " Screw	04
23470	4010	" " " " (intermediate)	2 00
23471	4014	Knife Bar Driving Lever (intermediate)	
		Connecting Link	1 00
54c	4014	Knife Bar Driving Lever (intermediate)	
		Connecting Link Hinge Screw	10
1222c	4014	Knife Bar Driving Lever (intermediate)	
		Hinge Screw	15
1959	4014	Knife Bar Driving Lever (intermediate)	
		Roller and Screw Stud with	
		229D and 12424	35
229D	4014	Knife Bar Driving Lever (intermediate)	
		Roller Cap Screw	02
12424	4014	Knife Bar Driving Lever (intermediate)	
		Roller Cap Screw Washer ..	02
23682	4014	Knife Bar Spring	05
39566	4014	" " Stop	1 15
39565	—	Knife Bar Stop complete, Nos. 1673c,	
		23548 and 39566	1 40
1673c	4014	Knife Bar Stop Lock Nut	20
23548	4014	" " " Plug (fibre)	02
23473	4014	" Holder	2 50
1243c	4014	" " Guide Stud	08
1608c	4014	" " " " Nut	05
157c	4015	" " Screw	04

Parts for Machine No. 71-10

No.	Plate	Name	Each
1547c	4009	Knife Holder Screw Nut	\$ 03
191c	4022	" Screw	03
23390	4014	" Washer	10
39600	4048	Needle Bar with 904F	80
23476	4016	" " Connecting Link with 794E	50
794E	4016	Needle Bar Connecting Link Adjust- ing Screw	05
1021	4016	Needle Bar Connecting Link Cap Screw	06
39601	4004	Needle Bar Connecting Stud with 1341c	25
1341c	4004	Needle Bar Connecting Stud Set Screw	04
23477	4010	Needle Bar Crank with 858c, 1036c, 1065c and 1258c	80
1065c	4025	Needle Bar Crank Position Screw ..	10
858c	4002	" " " Set Screw	03
23478	4006	" " Frame	2 00
23674	4033	" " " Cam and Bevel Gear	3 00
1244c	4016	Needle Bar Frame Cam and Bevel Gear Screw	20
23486	4016	Needle Bar Frame Driving Bevel Pin- ion with two 453c	1 00
453c	4013	Needle Bar Frame Driving Bevel Pin- ion Set Screw	02
23610	—	Needle Bar Frame Pitman (hinge screw end)	65
23675	—	Needle Bar Frame Pitman (regulator end)	30
190c	4013	Needle Bar Frame Pitman Adjusting Screw	03
7071	4003	Needle Bar Frame Pitman Adjusting Screw Washer	01
23676	4033	Needle Bar Frame Pitman (adjust- able) complete, Nos. 23610, 23675, two each 190c and 7071	1 00
1042F	4016	Needle Bar Frame Pitman Hinge Screw	06
1547D	4009	Needle Bar Frame Pitman Hinge Screw Nut	03
23677	4033	Needle Bar Frame Regulator with 1956	2 25
1038c	4004	Needle Bar Frame Regulator Adjust- ing Screw	10
7070	4007	Needle Bar Frame Regulator Adjust- ing Screw Sleeve	10

Parts for Machine No. 71-10

No.	Plate	Name	Each
1589c	4003	Needle Bar Frame Regulator Adjust- ing Screw Thumb Nut	\$ 06
1956	4016	Needle Bar Frame Regulator Roller and Screw Stud with 229D, 1655E and 23389	35
1655E	4002	Needle Bar Frame Regulator Roller and Screw Stud Nut	04
229D	4014	Needle Bar Frame Regulator Roller Cap Screw	02
23389	4016	Needle Bar Frame Regulator Roller Cap Screw Washer	02
23667	4016	Needle Bar Frame Regulator Stud ..	75
673F	4016	" " " Screw Center	08
1517E	4016	" " " " " Nut ..	04
904F	4004	" Set Screw	02
39653	4048	Oscillating Rock Shaft	1 00
39654	—	Oscillating Rock Shaft complete, Nos. 4784, 23494 and 39653	1 50
23494	4006	Oscillating Rock Shaft Hinge Pin with 23421	50
23421	4013	Oscillating Rock Shaft Hinge Pin Oil Hole Plug (leather) Per 100	50
878D	4013	Oscillating Rock Shaft Hinge Pin Oil Hole Stop Screw	06
12459	4013	Oscillating Rock Shaft Hinge Pin Oil Hole Stop Screw Washer (leather) Per 100	50
448c	4015	Oscillating Rock Shaft Hinge Pin Set Screw	03
4784	4013	Oscillating Rock Shaft Oil Pad	01
39655	4051	" Shaft	50
39656	4023	" " Bushing (back)	40
24047	4013	" " " (front)	40
39657	—	" " Crank	50
39658	4023	Oscillating Shaft Crank complete, Nos. 1636E, 24050, 39657 and two 1253c	1 05
1253c	4023	Oscillating Shaft Crank Set Screw ..	03
19448	4017	" " " Slide Block	35
229D	4014	" " " " " " " Cap Screw	02
12424	4015	Oscillating Shaft Crank Slide Block Cap Screw Washer	02
1035c	4017	Oscillating Shaft Crank Slide Block Screw Stud	15
1636E	4017	Oscillating Shaft Crank Slide Block Screw Stud Nut	03
24050	4017	Oscillating Shaft Crank Slide Block complete, Nos. 229D, 1035c, 12424 and 19448	50

Parts for Machine No. 71-10

No.	Plate	Name	Each
23497	4019	Pulley (loose)	\$1 75
40024	4035	" (tight)	2 50
23499	4019	" " Counterbalance	20
28034	4020	" " " Rivet	01
40025	4004	" " " Pin	01
23500	4017	Shuttle Bobbin	08
15140	4017	" " Case Latch	10
2973	4017	" " " " Lever	10
2974	4017	" " " " " Ful- crum Pin	Per 100 10
15141	—	Shuttle Bobbin Case Hinge, Nos. 2973, 2974 and 15140	25
2975	4017	Shuttle Bobbin Case Latch Spring	02
592E	4017	" " " " " Stop Screw	02
23501	4017	Shuttle Bobbin Case Position Finger	05
2523	4017	" " " " " " "	
		Rivet	Per 100 25
23502	4017	Shuttle Bobbin Case complete, Nos. 501F, 592E, 2523, 2975, 15141, 23501 and 23680	75
23503	4017	Shuttle Body	75
591F	4017	" Tension Regulating Screw	02
23680	4017	" Spring	10
23504	4017	" 1 1/8 in. diam., Nos. 23500, 23502 and 23503	1 50
23505	4017	Shuttle Driver with 462c	75
2269	4017	" " Pin	01
462c	4017	" " Set Screw	02
14049	4018	" Race Back	40
2532	4018	" " " Position Pin..Per 100	10
2533	4018	" " " Spring	12
648D	4018	" " " Screw	07
*23506	—	" " Body	—
39904	—	" " " 23506 with 7326 and two 662d	1 35
7326	4018	Shuttle Race Cap	15
662D	4018	" " " Screw	02
23621	4018	Shuttle Race complete, Nos. 648D, 2533, 14049, 39904 and two 2532..	1 95
145F	4018	Shuttle Race Screw (2)	04
23509	4019	Starting Lever	3 50
717C	4020	" " " Adjusting Screw	08
1520E	4012	" " " " " Nut ..	03
21643	4020	" " " Belt Shifter	75
159F	4020	" " " " " Screw	03
23510	4019	" " " Bracket	1 00
8582	4013	" " " " Dowel Pin (2) ..	02

Parts for Machine No. 71-10

No.	Plate	Name	Each
123E	4020	Starting Lever Bracket Screw	\$ 06
23511	4019	" " Rod	75
61c	4020	" " " Hinge Screw	06
564c	4020	" " " Screw Center (2)	12
1508E	4020	" " " " " Nut (2)...	06
14174	4020	" " " Spring	08
124F	4002	" " Stop Screw	08
1518E	4002	" " " " " Nut	04
39628	4059	Stop Cam with 39629	1 50
39580	4019	" " Interlocking Rod	50
23514	4020	" " " " " Guide with 1070c and 1959	1 50
1070C	4020	Stop Cam Interlocking Rod Guide Set Screw	08
21650	4021	Stop Cam Interlocking Rod Guide Washer (rawhide)	02
21651	4021	Stop Cam Interlocking Rod Spring...	10
913c	4021	" " " " " Reg- ulating Thumb Screw	40
1638E	4021	Stop Cam Interlocking Rod Spring Regulating Thumb Screw Nut ..	12
39629	4059	Stop Cam Pin	15
23515	4021	" " Spring (long)	08
23516	4021	" " " (short)	05
23517	4019	" " " Cover with 23499, two each 9780 and 28034	25
9780	4021	Stop Cam Spring Cover Position Pin	01
997E	4021	" " " " " Screw (2) ..	05
39637	4021	" " " Stop Block	30
1349c	4004	" " " " " Screw	04
39638	4021	" " " " " Block ..	30
457c	4012	" " " " " Set Screw	02
23518	4010	" Lever	75
78D	4004	" " Hinge Screw	06
9540	4021	" " Spring	02
2102	4022	Tension Disc (2)	05
1560c	4022	" Regulating Thumb Nut	04
23519	4022	" Releaser with 200F	30
200F	4022	" " Set Screw	03
23520	4022	" " Shaft	10
23521	4022	" " " Arm	40
23694	4022	" " " " " Connection	25
23695	4022	" " " " " " "	
		Bracket	25
191c	4022	Tension Releaser Shaft Arm Con- nection Screw	03
39541	4040	Tension Releaser Shaft Arm Con- nection Screw Washer	05

No.	Plate	Name	Each
2269	4017	Tension Releaser Shaft Arm Pin	\$ 01
413F	4022	" Screw Stud	10
2103	4022	" Spring	03
23669	4022	" Thread Guard	10
460C	4013	" " " Set Screw	02
12400	4022	Thread Retainer Sleeve	05
12401	4022	" " Spring	01
12402	4022	" " Stud	07
460C	4013	" " " Set Screw	02
12399	—	Thread Retainer complete, Nos. 12400 to 12402	15
23523	4023	Thread Take-up Crank	80
1036C	4023	" " " Position Screw	03
1258C	4023	" " " Set Screw	02
23524	4023	" " " Lever	1 00
12166	4023	" " " Hinge Pin	05
23543	4023	" " " Link	40
11204	4023	" " " Hinge Pin	15
435C	4058	" " " " " " " " " Set Screw	04
23525	—	Thread Take-up Lever complete, Nos. 42166, 23524 and 23543	1 45
4784	4013	Thread Take-up Lever Oil Pad	01
7335	4022	" " Spring	03
23526	4022	" " " Regulator	25
446C	4025	" " " " " " " " " Set Screw	03

LIST OF PARTS COMPLETE

FOR

MACHINE No. 71-11

Makes Purl Stitch, Has no Barring Device, Knives from $\frac{1}{2}$
to $1\frac{1}{2}$ in. Long. Cuts After Stitching.

No.	Plate	Name	Each
*23670	—	Arm with 24081	\$ —
8582	4013	" Dowel Pin (2)	02
748E	4025	" Screw (back) (2)	08
868E	4025	" " (front) (2)	10
23352	4030	" Shaft	2 50
*24081	—	" Bushing (front)	—
12357	4000	" " Flanged Bushing (back)	20
435C	4058	" " " " " " " " " Set Screw	04
4784	4013	Arm Shaft Oil Pad	01
1069D	4025	" " Screw	12
12193	4000	" Side Cover	10
286D	4024	" " " Thumb Screw	10
23671	4033	" Top Cover	25
808F	4025	" " " Screw (3)	03
*39535	—	Bed	—
39538	4032	" Oil Guard	75
1235F	4009	" " " Screw (2)	04
39539	4039	Clamp Arm	2 00
625F	4009	" " Adjusting Screw	05
1547D	4009	" " " " Nut	03
39540	4039	" " Bracket with 196F	1 00
191C	4022	" " " Screw	03
39541	4040	" " " " Washer	05
23379	4007	" " Hinge Block	1 00
23380	4007	" " " " Pin	05
196F	4007	" " " " " Set Screw	02
402D	4007	" " Screw	02
39542	4039	" Carrier	3 00
40006	4004	" " Block with 40007 and four 404D	75
40007	4004	Clamp Carrier Block Plate	20
404D	4007	" " " " Screw	02
23384	4007	" " Connecting Rod	50
52C	4007	" " " " " Hinge Screw	10

No.	Plate	Name	Each
39591	4004	Clamp Carrier Guide (left)	\$ 25
756D	4004	" " " " Screw	02
23385	4007	" " " " (right)	50
1230F	4007	" " " " " Screw (3)	03
23386	4006	" " " " Plate	2 00
1231F	4007	" " " " " Screw (back) (2)	02
404D	4007	" " " " " (front) (2)	02
39543	4039	" " " " Regulator with 233D and 1960	2 50
1232C	4007	Clamp Carrier Regulator Hinge Screw	12
1960	4007	" " " " " Roller and Screw Stud with 1520E	35
1520E	4012	Clamp Carrier Regulator Roller and Screw Stud Nut	03
39544	4012	Clamp Carrier Regulator Slide	30
1347C	4009	" " " " " Stud (to regulate length of buttonhole)	10
1671C	4009	Clamp Carrier Regulator Stud Nut	08
39532	4009	" " " " " Sleeve	10
233D	4007	" " " " " " Stop Screw	02
39614	4034	Clamp Carrier Slide with 39591 and three 756D	4 35
23392	4008	Clamp Carrier Slide Guide (left)	40
914F	4008	" " " " " " Screw (2)	04
23393	4008	Clamp Carrier Slide Guide (right)	40
914F	4008	" " " " " " Screw (2)	04
23394	4005	Clamp Carrier Slide Lever with 1960	2 50
23395	4005	" " " " " " Regulator	2 50
23396	4008	" " " " " " Cap	20
223D	4008	Clamp Carrier Slide Lever Regulator Cap Screw (4)	02
67D	4008	Clamp Carrier Slide Lever Regulator Screw	12
1960	4007	Clamp Carrier Slide Lever Roller and Screw Stud with 1520E	35
1520E	4012	Clamp Carrier Slide Lever Roller and Screw Stud Nut	03
7278	4008	Clamp Carrier Slide Lever Socket Joint	25
1234C	4008	Clamp Carrier Slide Regulating Stud	20
23397	4008	" " " " " " Bushing	20
1658C	4008	Clamp Carrier Slide Regulating Stud Thumb Nut	15

No.	Plate	Name	Each
1256C	4008	Clamp Carrier Slide Screw (2)	\$.08
39546	4040	" " Check, for 1½ in. buttonhole	75
39547	4040	" " " " Adjusting Plate	50
219F	4008	" " " " " " Screw	02
109D	4008	" " " " " " Hinge Screw	04
39548	4040	" " " " " " Holder	50
1297F	4045	" " " " " " Screw	04
39717	4039	" " " " " " Lifting Arm	60
1235F	4009	" " " " " " Screw	04
39550	4042	" " " " " " Plate	1 25
1235F	4009	" " " " " " Screw (4)	04
23573	4005	" " " " " " Support	25
402D	4007	" " " " " " Screw	02
23574	4009	" " " " " " Post	75
1659C	4009	" " " " " " Pressure Regulating Thumb Nut	10
39514	4020	" " " " " " Spring	15
23693	4009	" " " " " " Bushing	1 00
1294C	4009	" " " " " " Position Stud	03
1550H	4009	" " " " " " " " Nut	03
39551	—	Clamp complete, Nos. 1294C, 1550H, 1659C, 23379, 23380, 23574, 23693 to 23695, 39514, 39539, 39540, 39546 to 39548, 39550, 39717, two each 109D, 625F, 1297F, 1547D, three each 219F, 402D, 1235F, four each 191C and 39541	11 00
24028	4000	Crank Connecting Rod with 24085 and two 896E	1 35
*24085	—	Crank Connecting Rod Cap	—
896E	4025	" " " " " " Screw	04
908C	4025	" " " " " " Hinge Screw	12
1619E	4025	" " " " " " " " Nut	05
23406	4000	Face Plate	1 25
217F	4025	" " " " " " Screw (2)	03
23672	4033	Feed Connecting Rod with 12204 and two 145E	1 00
*12204	—	Feed Connecting Rod Cap	—
145E	4018	" " " " " " " " Screw	04
375C	4025	" " " " " " " " Hinge Screw	12
1518E	4002	" " " " " " " " " " Nut	04
23412	4013	" " " " " " " " Eccentric with 448C	2 50
448C	4015	" " " " " " " " Set Screw	03
23413	4000	" " " " " " " " Hand Ratchet Lever with 214D and 1049C	75
23414	4013	Feed Hand Ratchet Lever Collar with two 453C	50
453C	4013	Feed Hand Ratchet Lever Collar Set Screw	02

Parts for Machine No. 71-11

No.	Plate	Name	Each
39567	—	Feed Hand Ratchet Lever Pawl Body with 214D	\$ 50
39522	4000	Feed Hand Ratchet Lever Pawl complete, Nos. 207c, 39523, 39567 and two 1049c	75
90D	4013	Feed Hand Ratchet Lever Pawl Hinge Screw	05
39523	4012	Feed Hand Ratchet Lever Pawl Point	25
1049c	4013	Feed Hand Ratchet Lever Pawl Point Position Screw	02
207c	4012	Feed Hand Ratchet Lever Pawl Point Screw	02
13218	4013	Feed Hand Ratchet Lever Pawl Spring	05
214D	4013	Feed Hand Ratchet Lever Pawl Spring Screw	03
1049c	4013	Feed Hand Ratchet Lever Pawl Stop Screw	02
23416	4013	Feed Hand Ratchet Wheel with 460c	1 25
3012	4013	" " " " Pin	01
460c	4013	" " " " Set Screw	02
23418	4000	" Rock Shaft	1 50
23419	—	Feed Rock Shaft complete, Nos. 23418 and 23420	2 10
23420	4000	Feed Rock Shaft Hinge Pin with 23421	60
23421	4013	Feed Rock Shaft Hinge Pin Plug (leather) Per 100	50
448c	4015	Feed Rock Shaft Hinge Pin Set Screw	03
23422	4013	" " " Spring	15
39590	4004	" " " Plate	02
181D	4013	" " " Screw	04
23673	4011	" Wheel with 23432 and two 220D	6 00
150c	4012	" " Cap Screw	10
39553	4042	" " Driving Lever	3 00
39597	4045	" " " Block with 602D and 39598 (2)	80
769c	4045	Feed Wheel Driving Lever Block Adjusting Screw	06
39594	4045	Feed Wheel Driving Lever Block Adjusting Screw Bracket with 769c, 898c and 39504 (2)	60
185H	4045	Feed Wheel Driving Lever Block Adjusting Screw Bracket Screw (4)	02
898c	4045	Feed Wheel Driving Lever Block Adjusting Screw Clamping Screw	04

Parts for Machine No. 71-11

No.	Plate	Name	Each
39504	4064	Feed Wheel Driving Lever Block Adjusting Screw Clamping Screw Washer	\$ 01
39598	4045	Feed Wheel Driving Lever Block Lock Spring	03
602D	4045	Feed Wheel Driving Lever Block Lock Spring Screw	02
39554	4042	Feed Wheel Driving Lever Pitman with 23429, 50088c and two 196F	1 65
50088c	4072	Feed Wheel Driving Lever Pitman Ball Joint Screw	15
*23429	—	Feed Wheel Driving Lever Pitman Cap	—
196F	4007	Feed Wheel Driving Lever Pitman Cap Screw	02
23427	4010	Feed Wheel Driving Lever Plate	25
404D	4007	" " " " " " " Screw (2)	02
1236c	4012	Feed Wheel Driving Lever Regulating Stud	12
7070	4007	Feed Wheel Driving Lever Regulating Stud Sleeve	10
1658A	4008	Feed Wheel Driving Lever Regulating Stud Thumb Nut	15
1237c	4012	Feed Wheel Friction Ring Screw	10
1520E	4012	" " " " " " " Nut	03
14017	4012	Feed Wheel Friction Ring Screw Washer	05
23552	4010	Feed Wheel Friction Ring Section (long)	45
23553	4010	Feed Wheel Friction Ring Section (short)	45
23554	4012	Feed Wheel Friction Ring Spring	10
23555	—	Feed Wheel Friction Ring complete, Nos. 23552 to 23554	1 00
2117	4012	Feed Wheel Pin	01
2254	4045	" " Retaining Clutch	20
39595	4045	" " " " Cap	10
898c	4045	" " " " " Screw	04
39504	4064	" " " " " " " Washer	01
2256	4045	Feed Wheel Retaining Clutch Spring	03
233D	4007	" " " " " " " Screw	02
721D	4045	Feed Wheel Retaining Clutch Spring Stop Screw	06
39596	4045	Feed Wheel Retaining Clutch Stud	25
23431	4010	" " Shaft	1 50

Parts for Machine No. 71-11

No.	Plate	Name	Each
457c	4012	Feed Wheel Shaft Oil Hole Plug Screw	\$ 02
23433	4010	Feed Wheel Tripping Lever	2 00
1257c	4012	" " " " Hinge Screw	15
23587	4012	Feed Wheel Tripping Lever Point	25
203c	4003	" " " " " Screw (2)	03
23435	4013	Feed Wheel Tripping Lever Spring	10
190D	4013	" " " " " Screw	03
179E	4004	Feed Wheel Tripping Lever Stop Screw	03
23432	4012	Feed Wheel Tripping Point	40
220D	4012	" " " " Screw ..	02
23447	—	Knife, $\frac{1}{2}$ inch	20
23448	—	" $\frac{3}{8}$ inch	20
23449	—	" $\frac{5}{8}$ inch	20
23450	—	" $\frac{7}{8}$ inch	20
23451	4014	" $\frac{3}{4}$ inch	20
23452	—	" $\frac{1}{2}$ inch	20
23453	—	" $\frac{3}{8}$ inch	20
23454	—	" $\frac{1}{4}$ inch	20
23455	—	" 1 inch	20
23456	—	" $1\frac{1}{8}$ inch	20
23457	—	" $1\frac{1}{4}$ inch	20
23458	—	" $1\frac{3}{8}$ inch	20
23459	—	" $1\frac{1}{2}$ inch	20
39555	—	" $1\frac{3}{4}$ inch	20
39556	—	" $1\frac{7}{8}$ inch	20
39557	—	" $1\frac{7}{8}$ inch	20
39558	—	" $1\frac{1}{2}$ inch	20
23460	4010	" Bar	80
23461	4015	" " Connecting Link	1 00
1239F	4015	" " " " Hinge Cap Screw	04
1240c	4015	Knife Bar Connecting Link Hinge Screw	05
23462	4015	Knife Bar Connecting Stud with 1319F	60
1319F	4015	" " " " Clamping Screw	04
23463	4015	Knife Bar Disengaging Lever	40
23464	4015	" " " " Catch with 1963	60
23465	4015	Knife Bar Disengaging Lever Catch Bracket	1 00
157D	4013	Knife Bar Disengaging Lever Catch Bracket Screw (2)	04

Parts for Machine No. 71-11

No.	Plate	Name	Each
90c	4013	Knife Bar Disengaging Lever Catch Hinge Screw	\$ 05
1963	4015	Knife Bar Disengaging Lever Catch Roller and Stud	20
23468	4015	Knife Bar Disengaging Lever Catch Spring	05
1241E	4015	Knife Bar Disengaging Lever Catch Spring Screw Stud (2)	05
23466	4015	Knife Bar Disengaging Lever Catch Tripping Point	30
23467	4015	Knife Bar Disengaging Lever Catch Tripping Point Collar with two 448c	40
448c	4015	Knife Bar Disengaging Lever Catch Tripping Point Collar Set Screw	03
175D	4015	Knife Bar Disengaging Lever Catch Tripping Point Screw	02
90c	4013	Knife Bar Disengaging Lever Hinge Screw	05
23606	4015	Knife Bar Disengaging Lever Spring	10
1242E	4015	" " " " " Screw (2)	05
240D	4003	Knife Bar Disengaging Lever Stop Screw	02
23469	4010	Knife Bar Driving Lever	1 25
1290c	4014	" " " " Hinge Screw	30
1428c	4014	" " " " Screw Stud	06
1520E	4012	" " " " " " " Nut	03
23681	4014	Knife Bar Driving Lever Spring	15
805c	4002	" " " " " Screw	04
23470	4010	" " " " (intermedi- ate)	2 00
23471	4014	Knife Bar Driving Lever (intermedi- ate) Connecting Link	1 00
54c	4014	Knife Bar Driving Lever (intermedi- ate) Connecting Link Hinge Screw	10
1222c	4014	Knife Bar Driving Lever (intermedi- ate) Hinge Screw	15
1959	4014	Knife Bar Driving Lever (intermedi- ate) Roller and Screw Stud with 229D and 12424	35
229D	4014	Knife Bar Driving Lever (intermedi- ate) Roller Cap Screw	02
12424	4014	Knife Bar Driving Lever (intermedi- ate) Roller Cap Screw Washer..	02
23682	4014	Knife Bar Spring	05
39566	4014	" " Stop	1 15

Parts for Machine No. 71-11

No.	Plate	Name	Each
39565	—	Knife Bar Stop complete, Nos. 1673c, 23548 and 39566	\$1 40
1673c	4014	Knife Bar Stop Lock Nut	20
23548	4014	" " Plug (fibre)	02
23473	4014	" Holder	2 50
1243c	4014	" " Guide Stud	08
1608c	4014	" " " " Nut	05
157c	4015	" " Screw	04
1547c	4009	" " " Nut	03
191c	4022	" Screw	03
23390	4014	" " Washer	10
39600	4048	Needle Bar with 904F	80
23476	4016	" " Connecting Link with 794E	50
794E	4016	Needle Bar Connecting Link Adjusting Screw	05
1021E	4016	Needle Bar Connecting Link Cap Screw	06
39601	4004	Needle Bar Connecting Stud with 1341c	25
1341c	4004	Needle Bar Connecting Stud Set Screw	04
23477	4010	Needle Bar Crank with 858c, 1036c, 1065c and 1253c	80
1065c	4025	Needle Bar Crank Position Screw	10
858c	4002	" " Set Screw	03
23478	4006	" " Frame with 4784	2 00
23674	4033	" " " Cam and Bevel Gear	3 00
1244c	4016	Needle Bar Frame Cam and Bevel Gear Screw	20
23486	4016	Needle Bar Frame Driving Bevel Pinion with two 453c	1 00
453c	4013	Needle Bar Frame Driving Bevel Pinion Set Screw	02
23610	—	Needle Bar Frame Pitman (hinge screw end)	65
23675	—	Needle Bar Frame Pitman (regulator end)	30
190c	4013	Needle Bar Frame Pitman Adjusting Screw	03
7071	4003	Needle Bar Frame Pitman Adjusting Screw Washer	01
23676	4033	Needle Bar Frame Pitman (adjustable) complete, Nos. 23610, 23675, two each 190c and 7071	1 00
1042F	4016	Needle Bar Frame Pitman Hinge Screw	06

Parts for Machine No. 71-11

No.	Plate	Name	Each
1547D	4009	Needle Bar Frame Pitman Hinge Screw Nut	\$ 03
23677	4033	Needle Bar Frame Regulator with 1956	2 25
1038c	4004	Needle Bar Frame Regulator Adjusting Screw	10
7070	4007	Needle Bar Frame Regulator Adjusting Screw Sleeve	10
1589c	4003	Needle Bar Frame Regulator Adjusting Screw Thumb Nut	06
1956	4016	Needle Bar Frame Regulator Roller and Screw Stud with 229D, 1655E and 23389	35
1655E	4002	Needle Bar Frame Regulator Roller and Screw Stud Nut	04
229D	4014	Needle Bar Frame Regulator Roller Cap Screw	02
23389	4016	Needle Bar Frame Regulator Roller Cap Screw Washer	02
23667	4016	Needle Bar Frame Regulator Stud	75
673F	4016	" " " Screw Center	08
1517E	4016	" " " " " Nut	04
904F	4004	" Set Screw	02
39653	4048	Oscillating Rock Shaft	1 00
39654	—	Oscillating Rock Shaft complete, Nos. 4784, 23494 and 39654	1 50
23494	4006	Oscillating Rock Shaft Hinge Pin with 23421	50
23421	4013	Oscillating Rock Shaft Hinge Pin Oil Hole Plug (leather) Per 100	50
878D	4013	Oscillating Rock Shaft Hinge Pin Oil Hole Stop Screw	06
12459	4013	Oscillating Rock Shaft Hinge Pin Oil Hole Stop Screw Washer (leather) Per 100	50
448c	4015	Oscillating Rock Shaft Hinge Pin Set Screw	03
4784	4013	Oscillating Rock Shaft Oil Pad	01
39655	4051	" Shaft	50
39656	4023	" " Bushing (back)	40
24047	4013	" " " (front)	40
39657	—	" " Crank	50
39692	4023	Oscillating Shaft Crank complete, Nos. 1636E, 15171, 39657 and two 1253c	1 10
1253c	4023	Oscillating Shaft Crank Set Screw	03
15170	4023	" " " Slide Block	35
229D	4014	" " " " " Cap Screw	02

No.	Plate	Name	Each
12424	4015	Oscillating Shaft Crank Slide Block	
		Cap Screw Washer	\$ 02
1035c	4017	Oscillating Shaft Crank Slide Block	
		Screw Stud	15
1636E	4017	Oscillating Shaft Crank Slide Block	
		Screw Stud Nut	03
15171	4023	Oscillating Shaft Crank Slide Block	
		complete, Nos. 229d, 1035c, 12424	
		and 15170	50
23497	4019	Pulley (loose)	1 75
40024	4035	" (tight)	2 50
23499	4019	" " Counterbalance	20
28034	4020	" " " Rivet	01
40025	4004	" " Pin	01
23500	4017	Shuttle Bobbin	08
15140	4017	" " Case Latch	10
2973	4017	" " " " Lever	10
2974	4017	" " " " Ful-	
		crum Pin	Per 100
15141	—	Shuttle Bobbin Case Hinge, Nos. 2973,	
		2974 and 15140	25
2975	4017	Shuttle Bobbin Case Latch Spring...	02
592E	4017	" " " " Stop Screw	02
23501	4017	" " " Position Finger	05
2523	4017	" " " " "	
		Rivet	Per 100
23502	4017	Shuttle Bobbin Case complete, Nos.	
		591E, 592E, 2523, 2975, 15141,	
		23501 and 23680	75
23503	4017	Shuttle Body	75
591F	4017	" Tension Regulating Screw	02
23680	4017	" " Spring	10
23504	4017	" 1 1/8 in. diam., Nos. 23500, 23502	
		and 23503	1 50
23505	4017	Shuttle Driver with 462c	75
2269	4017	" " Pin	01
462c	4017	" " Set Screw	02
14049	4018	" Race Back	40
2532	4018	" " " Position Pin..Per 100	10
2533	4018	" " " Spring	12
648D	4018	" " " " Screw	07
*23506	—	" " Body	—
39904	—	" " " 23506 with 7326 and	
		two 662D	1 35
7326	4018	Shuttle Race Cap	15
662D	4018	" " " Screw	02
23621	4018	Shuttle Race complete, Nos. 648D,	
		2533, 14049, 39904 and two 2532..	1 95
145F	4018	Shuttle Race Screw (2)	04

No.	Plate	Name	Each
23509	4019	Starting Lever	\$3 50
717c	4020	" " Adjusting Screw	08
1520E	4012	" " " " Nut	03
23556	4007	" " Belt Shifter	75
159F	4020	" " " " Screw	03
23510	4019	" " Bracket	1 00
8582	4013	" " " Dowel Pin (2)	02
123E	4020	" " " " Screw	06
23511	4019	" " Rod	75
61c	4020	" " " Hinge Screw	06
564c	4020	" " " Screw Center (2)	12
1508E	4020	" " " " Nut (2)	06
14174	4020	" " " Spring	08
124F	4002	" " " Stop Screw	08
1518E	4002	" " " " Nut	04
39628	4059	Stop Cam with 39629	1 50
39580	4019	" " Interlocking Rod	50
23514	4020	" " " " Guide	
		with 1070c and 1959	1 50
1070c	4020	Stop Cam Interlocking Rod Guide Set	
		Screw	08
21650	4021	Stop Cam Interlocking Rod Guide	
		Washer (rawhide)	02
21651	4021	Stop Cam Interlocking Rod Spring..	10
913c	4021	" " " " " Reg-	
		ulating Thumb Screw	40
1638E	4021	Stop Cam Interlocking Rod Spring	
		Regulating Thumb Screw Nut..	12
39629	4059	Stop Cam Pin	15
23515	4021	" " Spring (long)	08
23516	4021	" " (short)	05
23517	4019	" " " Cover with 23499,	
		two each 9780 and 28034	25
9780	4021	Stop Cam Spring Cover Position Pin	01
997E	4021	" " " " " Screw (2)	05
39637	4021	" " " Stop Block	30
1349c	4004	" " " " " Screw	04
39638	4021	" " " " " Block	30
457c	4012	" " " " " Set Screw	02
23518	4010	" Lever	75
78D	4004	" " Hinge Screw	06
9540	4021	" " Spring	02
2102	4022	Tension Disc (2)	05
1560c	4022	" Regulating Thumb Nut	04
23519	4022	" Releaser with 200F	30
39901	—	" " 23519 with 2269, 23520	
		and 39560	80
200F	4022	Tension Releaser Set Screw	03
23520	4022	" " Shaft	10

No.	Plate	Name	Each
23641	4020	Tension Releaser Shaft Arm	\$ 15
23694	4022	" " " " Connection	25
23695	4022	Tension Releaser Shaft Arm Connection Bracket	25
191c	4022	Tension Releaser Shaft Arm Connection Screw	03
39541	4040	Tension Releaser Shaft Arm Connection Screw Washer	05
39560	4040	Tension Releaser Shaft Arm Hub	40
2269	4017	" " " " Pin	01
413F	4022	" Screw Stud	10
2103	4022	" Spring	03
23669	4022	" Thread Guard	10
460c	4013	" " " Set Screw	02
12400	4022	Thread Retainer Sleeve	05
12401	4022	" " Spring	01
12402	4022	" " Stud	07
460c	4013	" " " Set Screw	02
12399	—	Thread Retainer complete, Nos. 12400 to 12402	15
23523	4023	Thread Take-up Crank	80
1036c	4023	" " " Position Screw	03
1258c	4023	" " " Set Screw	02
23524	4023	" " Lever	1 00
12166	4023	" " " Hinge Pin	05
23543	4023	" " " Link	40
11204	4023	" " " Hinge Pin	15
435c	4058	" " " " " " " " Set Screw	04
23525	—	Thread Take-up Lever complete, Nos. 12166, 23524 and 23543	1 45
4784	4013	Thread Take-up Lever Oil Pad	01
7335	4022	" " Spring	03
23526	4022	" " " Regulator	25
446c	4025	" " " " " " " " Set Screw	03

LIST OF PARTS COMPLETE

FOR

MACHINE No. 71-12

Makes Whip Stitch, Has No Barring Device, Knives from 1 to 1 in. Long. Cuts After Stitching.

No.	Plate	Name	Each
*23670	—	Arm with 24081	\$ —
8582	4013	" Dowel Pin (2)	02
748E	4025	" Screw (back) (2)	08
868E	4025	" " (front) (2)	10
23352	4030	" Shaft	2 50
*24081	—	" " Bushing (front)	—
12357	4000	" " Flanged Bushing (back)	20
435c	4058	" " " " " " " " Set Screw	04
4784	4013	Arm Shaft Oil Pad	01
1069D	4025	" " Screw	12
12193	4000	" Side Cover	10
286D	4024	" " " Thumb Screw	10
23671	4033	" Top Cover	25
808F	4025	" " " Screw (3)	03
*23371	—	Bed	—
39538	4032	" Oil Guard	75
1235F	4009	" " " Screw (2)	04
23567	4006	Clamp Arm	2 00
625F	4009	" " Adjusting Screw	05
1547D	4009	" " " " Nut	03
39584	4034	" " Bracket with 196F	1 00
191c	4022	" " " Screw	03
39541	4040	" " " " Washer	05
23379	4007	" " Hinge Block	1 00
23380	4007	" " " " Pin	05
196F	4007	" " " " " " " " Set Screw	02
1231F	4007	Clamp Arm Screw	02
23381	4005	" Carrier	3 00
40006	4004	" " Block with 40007 and four 404D	75
40007	4004	Clamp Carrier Block Plate	20
404D	4007	" " " " Screw	02
23384	4007	" " Connecting Rod	50

Parts for Machine No. 71-12

No.	Plate	Name	Each
52c	4007	Clamp Carrier Connecting Rod Hinge Screw	\$ 10
39591	4004	Clamp Carrier Guide (left)	25
756D	4004	" " " " Screw	02
23385	4007	" " " (right)	50
1230F	4007	" " " " Screw (3)	03
23386	4006	" " Plate	2 00
1231F	4007	" " " " Screw (back) (2)	02
404D	4007	" " " " (front) (2)	02
40010	4035	" " Regulator with 240D, 1960 and 39583	2 50
1232c	4007	Clamp Carrier Regulator Hinge Screw	12
1960	4007	" " " " Roller and Screw Stud with 1520E	35
1520E	4012	Clamp Carrier Regulator Roller and Screw Stud Nut	03
39544	4012	Clamp Carrier Regulator Slide	30
1347c	4009	" " " " Stud (to regulate length of buttonhole)	10
1671c	4009	Clamp Carrier Regulator Stud Nut	08
39532	4009	" " " " Sleeve	10
39583	4004	" " " " Stop	10
240D	4003	" " " " " " Screw	02
39619	4048	Clamp Carrier Slide with 39591 and three 756D, for general work	4 35
23392	4008	Clamp Carrier Slide Guide (left)	40
914F	4008	" " " " " " Screw (2)	04
23393	4008	Clamp Carrier Slide Guide (right)	40
914F	4008	" " " " " " Screw (2)	04
23394	4005	Clamp Carrier Slide Lever with 1960	2 50
23395	4005	" " " " " " Regulator	2 50
23396	4008	" " " " " " Cap	20
223D	4008	Clamp Carrier Slide Lever Regulator Cap Screw (4)	02
67D	4008	Clamp Carrier Slide Lever Regulator Screw	12
1960	4007	Clamp Carrier Slide Lever Roller and Screw Stud with 1520E	35
1520E	4012	Clamp Carrier Slide Lever Roller and Screw Stud Nut	03
7278	4008	Clamp Carrier Slide Lever Socket Joint	25
1234c	4008	Clamp Carrier Slide Regulating Stud	20
23397	4008	" " " " " " Bushing	20

Parts for Machine No. 71-12

No.	Plate	Name	Each
1658c	4008	Clamp Carrier Slide Regulating Stud Thumb Nut	\$ 15
1256D	4008	Clamp Carrier Slide Screw (2)	08
23691	4008	" " Check, for general work	75
39585	4041	" " " " Adjusting Plate	50
219F	4008	" " " " " " Screw	02
109D	4008	" " " " Hinge Screw	04
39586	4041	" " " " Holder	50
1297F	4045	" " " " " " Screw	04
39549	4042	" " " " Lifting Arm	50
1235F	4009	" " " " " " Screw	04
39550	4042	" " " " Plate	1 25
1235F	4009	" " " " " " Screw (4)	04
23573	4005	" " " " Support	25
402D	4007	" " " " " " Screw (2)	02
23574	4009	" " " " Post	75
1659c	4009	" " " " Pressure Regulating Thumb Nut	10
23404	4009	Clamp Spring	15
23693	4009	" " " " Bushing	1 00
1294c	4009	" " " " " " Position Stud	03
1550H	4009	" " " " " " " " Nut	03
39587	—	Clamp (universal) complete, Nos. 1294c, 1550H, 1659c, 23379, 23380, 23404, 23567, 23574, 23691, 23693 to 23695, 39549, 39550, 39584 to 39586, two each 109D, 625F, 1297F, 1547D, three each 1231F, 1235F, four each 191c, 219F and 39541	11 00
24028	4000	Crank Connecting Rod with 24085 and two 896E	1 35
*24085	—	Crank Connecting Rod Cap	—
896E	4025	" " " " " " Screw	04
908c	4025	" " " " " " Hinge Screw	12
1619E	4025	" " " " " " " " Nut	05
23406	4000	Face Plate	1 25
217F	4025	" " " " " " Screw (2)	03
23672	4033	Feed Connecting Rod with 12204 and two 145E	1 00
*12204	—	Feed Connecting Rod Cap	—
145E	4018	" " " " " " " " Screw	04
375c	4025	" " " " " " " " Hinge Screw	12
1518E	4002	" " " " " " " " " " Nut	04
23412	4013	" " " " " " " " Eccentric with 448c	2 50
448c	4015	" " " " " " " " Set Screw	03
23413	4000	" " " " " " " " Hand Ratchet Lever with 214D and 1049c	75

Parts for Machine No. 71-12

No.	Plate	Name	Each
23414	4013	Feed Hand Ratchet Lever Collar with two 453c	\$ 50
453c	4013	Feed Hand Ratchet Lever Collar Set Screw	02
39567	—	Feed Hand Ratchet Lever Pawl Body with 214D	50
39522	4000	Feed Hand Ratchet Lever Pawl complete, Nos. 207c, 39523, 39567 and two 1049c	75
90D	4013	Feed Hand Ratchet Lever Pawl Hinge Screw	05
39523	4012	Feed Hand Ratchet Lever Pawl Point	25
1049c	4013	Feed Hand Ratchet Lever Pawl Point Position Screw	02
207c	4012	Feed Hand Ratchet Lever Pawl Point Screw	02
13218	4013	Feed Hand Ratchet Lever Pawl Spring	05
214D	4013	Feed Hand Ratchet Lever Pawl Spring Screw	03
1049c	4013	Feed Hand Ratchet Lever Pawl Stop Screw	02
23416	4013	Feed Hand Ratchet Wheel with 460c	1 25
3012	4013	" " " " Pin	01
460c	4013	" " " " Set Screw	02
23418	4000	" Rock Shaft	1 50
23419	—	Feed Rock Shaft complete, Nos. 23418 and 23420	2 10
23420	4000	Feed Rock Shaft Hinge Pin with 23421	60
23421	4013	Feed Rock Shaft Hinge Pin Plug (leather) Per 100	50
448c	4015	Feed Rock Shaft Hinge Pin Set Screw	03
23673	4011	Feed Wheel with 23432 and two 220D	6 00
150c	4012	" " Cap Screw	10
23424	4010	" " Driving Lever	3 00
39597	4045	" " " " Block with 602D and 39598 (2)	80
769c	4045	Feed Wheel Driving Lever Block Adjusting Screw	06
39594	4045	Feed Wheel Driving Lever Block Adjusting Screw Bracket with 769c, 898c and 39504 (2)	60
185H	4045	Feed Wheel Driving Lever Block Adjusting Screw Bracket Screw	02
898c	4045	Feed Wheel Driving Lever Block Adjusting Screw Clamping Screw	04

Parts for Machine No. 71-12

No.	Plate	Name	Each
39504	4064	Feed Wheel Driving Lever Block Adjusting Screw Clamping Screw Washer	\$ 01
39598	4045	Feed Wheel Driving Lever Block Lock Spring	03
602D	4045	Feed Wheel Driving Lever Block Lock Spring Screw	02
23428	4012	Feed Wheel Driving Lever Pitman with 23429, 50088c and two 196F	1 65
50088c	4072	Feed Wheel Driving Lever Pitman Ball Joint Screw	15
*23429	—	Feed Wheel Driving Lever Pitman Cap	—
196F	4007	Feed Wheel Driving Lever Pitman Cap Screw	02
23427	4010	Feed Wheel Driving Lever Plate	25
404D	4007	" " " " " Screw (2)	02
1236c	4012	Feed Wheel Driving Lever Regulating Stud	12
7070	4007	Feed Wheel Driving Lever Regulating Stud Sleeve	10
1658A	4008	Feed Wheel Driving Lever Regulating Stud Thumb Nut	15
1237c	4012	Feed Wheel Friction Ring Screw	10
1520E	4012	" " " " " Nut	03
14017	4012	Feed Wheel Friction Ring Screw Washer	05
23552	4010	Feed Wheel Friction Ring Section (long)	45
23553	4010	Feed Wheel Friction Ring Section (short)	45
23554	4012	Feed Wheel Friction Ring Spring	10
23555	—	Feed Wheel Friction Ring complete, Nos. 23552 to 23554	1 00
2117	4012	Feed Wheel Pin	01
2254	4045	" " Retaining Clutch	20
39595	4045	" " " " Cap	10
898c	4045	" " " " " Screw	04
39504	4064	Feed Wheel Retaining Clutch Cap Screw Washer	01
2256	4045	Feed Wheel Retaining Clutch Spring	03
233D	4007	" " " " " Screw	02
721D	4045	Feed Wheel Retaining Clutch Spring Stop Screw	06
39596	4045	Feed Wheel Retaining Clutch Stud	25

Parts for Machine No. 71-12

No.	Plate	Name	Each
23431	4010	Feed Wheel Shaft	\$1 50
457C	4012	" " " Oil Hole Plug Screw	02
23433	4010	" " " Tripping Lever	2 00
1257C	4012	" " " " Hinge Screw	15
23587	4012	Feed Wheel Tripping Lever Point	25
203C	4003	" " " " " " Screw (2)	03
23435	4013	Feed Wheel Tripping Lever Spring	10
190D	4013	" " " " " " Screw	03
179E	4004	Feed Wheel Tripping Lever Stop Screw	03
23432	4012	Feed Wheel Point	40
220D	4012	" " " " " " Screw	02
23443	—	Knife, $\frac{1}{4}$ inch	20
23444	—	" $\frac{3}{8}$ inch	20
23445	—	" $\frac{1}{2}$ inch	20
23446	—	" $\frac{7}{8}$ inch	20
23447	—	" $\frac{1}{2}$ inch	20
23448	—	" $\frac{1}{8}$ inch	20
23449	—	" $\frac{1}{4}$ inch	20
23450	—	" $\frac{1}{16}$ inch	20
23451	4014	" $\frac{3}{4}$ inch	20
23452	—	" $\frac{1}{2}$ inch	20
23453	—	" $\frac{1}{4}$ inch	20
23454	—	" $\frac{1}{16}$ inch	20
23455	—	" 1 inch	20
23460	4010	" Bar	80
23461	4015	" " Connecting Link	1 00
1239F	4015	" " " " Hinge Cap Screw	04
1240C	4015	Knife Bar Connecting Link Hinge Screw	05
23462	4015	Knife Bar Connecting Stud with 1319F	60
1319F	4015	Knife Bar Connecting Stud Clamping Screw	04
23463	4015	Knife Bar Disengaging Lever	40
23464	4015	" " " " Catch with 1963	60
23465	4015	Knife Bar Disengaging Lever Catch Bracket	1 00
157D	4013	Knife Bar Disengaging Lever Catch Bracket Screw (2)	04
90C	4013	Knife Bar Disengaging Lever Catch Hinge Screw	05
1963	4015	Knife Bar Disengaging Lever Catch Roller and Stud	20

Parts for Machine No. 71-12

No.	Plate	Name	Each
23468	4015	Knife Bar Disengaging Lever Catch Spring	\$ 05
1241E	4015	Knife Bar Disengaging Lever Catch Spring Screw Stud (2)	05
23466	4015	Knife Bar Disengaging Lever Catch Tripping Point	30
23467	4015	Knife Bar Disengaging Lever Catch Tripping Point Collar with two 448c	40
448c	4015	Knife Bar Disengaging Lever Catch Tripping Point Collar Set Screw	03
175D	4015	Knife Bar Disengaging Lever Catch Tripping Point Screw	02
90C	4013	Knife Bar Disengaging Lever Hinge Screw	05
23606	4015	Knife Bar Disengaging Lever Spring	10
1242E	4015	" " " " " " Screw (2)	05
240D	4003	Knife Bar Disengaging Lever Stop Screw	02
23469	4010	Knife Bar Driving Lever	1 25
1290C	4014	" " " " Hinge Screw	30
1423C	4014	" " " " " " Screw Stud	06
1520E	4012	" " " " " " " " Nut	03
23681	4014	Knife Bar Driving Lever Spring	15
805C	4002	" " " " " " Screw	04
23470	4010	" " " " " " (intermedi- ate)	2 00
23471	4014	Knife Bar Driving Lever (intermedi- ate) Connecting Link	1 00
54C	4014	Knife Bar Driving Lever (intermedi- ate) Connecting Link Hinge Screw	10
1222C	4014	Knife Bar Driving Lever (intermedi- ate) Hinge Screw	15
1959	4014	Knife Bar Driving Lever (intermedi- ate) Roller and Screw Stud with 229D and 12424	35
229D	4014	Knife Bar Driving Lever (intermedi- ate) Roller Cap Screw	02
12424	4015	Knife Bar Driving Lever (intermedi- ate) Roller Cap Screw Washer	02
23682	4014	Knife Bar Spring	05
39566	4014	" " Stop	1 15
39565	—	Knife Bar Stop complete, Nos. 1673C 23548 and 39566	1 40
1673C	4014	Knife Bar Stop Lock Nut	20
23548	4014	" " " " Plug (fibre)	02

No.	Plate	Name	Each
23473	4014	Knife Holder	\$2 50
1243c	4014	" " Guide Stud	08
1608c	4014	" " " " Nut	05
157c	4015	" " Screw	04
1547c	4009	" " " Nut	03
191c	4022	" Screw	03
23390	4014	" " Washer	10
39600	4048	Needle Bar with 904F	80
23476	4016	" " Connecting Link with 794E	50
794E	4016	" " " " Adjust-	
		ing Screw	05
1021E	4016	Needle Bar Connecting Link Cap	
		Screw	06
39601	4004	Needle Bar Connecting Stud with	
		1341c	25
1341c	4004	Needle Bar Connecting Stud Set	
		Screw	04
23477	4010	Needle Bar Crank with 858c, 1038c,	
		1065c and 1258c	80
1065c	4025	Needle Bar Crank Position Screw ..	10
858c	4002	" " " Set Screw	03
23478	4006	" " Frame with 4784	2 00
23674	4033	" " " Cam and Bevel	
		Gear	3 00
1244c	4016	Needle Bar Frame Cam and Bevel	
		Gear Screw	20
23486	4016	Needle Bar Frame Driving Bevel Pin-	
		ion with two 453c	1 00
453c	4013	Needle Bar Frame Driving Bevel Pin-	
		ion Set Screw	02
23610	—	Needle Bar Frame Pitman (hinge	
		screw end)	65
23675	—	Needle Bar Frame Pitman (regulator	
		end)	30
190c	4013	Needle Bar Frame Pitman Adjusting	
		Screw	03
7071	4003	Needle Bar Frame Pitman Adjusting	
		Screw Washer	01
23676	4033	Needle Bar Frame Pitman (adjust-	
		able) complete, Nos. 23610, 23675,	
		two each 190c and 7071	1 00
1042F	4016	Needle Bar Frame Pitman Hinge	
		Screw	06
1547D	4009	Needle Bar Frame Pitman Hinge	
		Screw Nut	03
23677	4033	Needle Bar Frame Regulator with	
		1956	2 25
1038c	4004	Needle Bar Frame Regulator Adjust-	
		ing Screw	10

No.	Plate	Name	Each
7070	4007	Needle Bar, Frame Regulator Adjust-	
		ing Screw Sleeve	\$ 10
1589c	4003	Needle Bar Frame Regulator Adjust-	
		ing Screw Thumb Nut	06
1956	4016	Needle Bar Frame Regulator Roller	
		and Screw Stud with 229D, 1655E	
		and 23389	35
1655E	4002	Needle Bar Frame Regulator Roller	
		and Screw Stud Nut	04
229D	4014	Needle Bar Frame Regulator Roller	
		Cap Screw	02
23389	4016	Needle Bar Frame Regulator Roller	
		Cap Screw Washer	02
23667	4016	Needle Bar Frame Regulator Stud ..	75
673E	4016	" " " Screw Center	08
1517E	4016	" " " " " Nut	04
904F	4004	" Set Screw	02
39653	4048	Oscillating Rock Shaft	1 00
39654	—	Oscillating Rock Shaft complete, Nos.	
		4784, 23494 and 39653	1 50
23494	4006	Oscillating Rock Shaft Hinge Pin	
		with 23421	50
23421	4013	Oscillating Rock Shaft Hinge Pin Oil	
		Hole Plug (leather) Per 100	50
878D	4013	Oscillating Rock Shaft Hinge Pin Oil	
		Hole Stop Screw	06
12459	4013	Oscillating Rock Shaft Hinge Pin Oil	
		Hole Stop Screw Washer (leather)	
	 Per 100	50
448c	4015	Oscillating Rock Shaft Hinge Pin Set	
		Screw	03
4784	4013	Oscillating Rock Shaft Oil Pad	01
39655	4051	" Shaft	50
39656	4023	" " Bushing (back)	40
24047	4013	" " " (front)	40
39657	—	" " Crank	50
39658	4023	Oscillating Shaft Crank complete,	
		Nos. 1636E, 24050, 39657 and two	
		1253c	1 05
1253c	4023	Oscillating Shaft Crank Set Screw ..	03
19448	4017	" " " Slide Block	35
229D	4014	" " " " " "	
		Cap Screw	02
12424	4015	Oscillating Shaft Crank Slide Block	
		Cap Screw Washer	02
1035c	4017	Oscillating Shaft Crank Slide Block	
		Screw Stud	15
1636E	4017	Oscillating Shaft Crank Slide Block	
		Screw Stud Nut	03

No.	Plate	Name	Each
24050	4017	Oscillating Shaft Crank Slide Block complete, Nos. 229b, 1035c, 12424 and 19448	\$ 50
23497	4019	Pulley (loose)	1 75
40024	4035	" (tight)	2 50
23499	4019	" " Counterbalance	20
28034	4020	" " " Rivet	01
40025	4004	" " Pin	01
23500	4017	Shuttle Bobbin	08
15140	4017	" " Case Latch	10
2973	4017	" " " Lever	10
2974	4017	" " " Fulcrum Pin	Per 100 10
15141	—	Shuttle Bobbin Case Hinge, Nos. 2973, 2974 and 15140	25
2975	4017	Shuttle Bobbin Case Latch Spring ..	02
592E	4017	" " " Stop Screw ..	02
15027	4050	" " " Position Finger ..	05
2523	4017	" " " " " " " Rivet	Per 100 25
15277	4072	Shuttle Bobbin Case complete, Nos. 591F, 592E, 2523, 2975, 15027, 15141 and 15278	75
39577	4050	Shuttle Body	75
591F	4017	" Tension Regulating Screw	02
15278	4072	" " Spring	10
39578	4050	" 1 1/4 in. diam., Nos. 15277, 23500 and 39577	1 50
23505	4017	Shuttle Driver with 462c	75
2269	4017	" " Pin	01
462C	4017	" " Set Screw	02
14049	4018	" Race Back	40
2532	4018	" " " Position Pin ..Per 100	10
2533	4018	" " " Spring	12
648D	4018	" " " Screw	07
23506	—	" " Body	—
39904	—	" " " 23506 with 7326 and two 662D	1 35
7326	4018	Shuttle Race Cap	15
662D	4018	" " " Screw	02
23621	4018	Shuttle Race complete, Nos. 648D, 2533, 14049, 39904 and two 2532..	1 95
145F	4018	Shuttle Race Screw (2)	04
23509	4019	Starting Lever	3 50
717C	4020	" " Adjusting Screw	08
1520E	4012	" " " " Nut..	03
21643	4020	" " Belt Shifter	75
159F	4020	" " " " Screw	03
23510	4019	" " Bracket	1 00

No.	Plate	Name	Each
8582	4013	Starting Lever Bracket Dowel Pin (2) \$	02
123E	4020	" " " Screw	06
23511	4019	" " " Rod	75
61C	4020	" " " Hinge Screw	06
564C	4020	" " " Screw Center (2)	12
1508E	4020	" " " " Nut (2)	06
14174	4020	" " " Spring	08
124F	4002	" " " Stop Screw	08
1518E	4002	" " " " Nut	04
39628	4059	Stop Cam with 39629	1 50
39580	4019	" " Interlocking Rod	50
23514	4020	" " " " Guide with 1070c and 1959	1 50
1070C	4020	Stop Cam Interlocking Rod Guide Set Screw	08
21650	4021	Stop Cam Interlocking Rod Guide Washer (rawhide)	02
21651	4021	Stop Cam Interlocking Rod Spring ..	10
913C	4021	" " " " " " " Regulating Thumb Screw	40
1628E	4021	Stop Cam Interlocking Rod Spring Regulating Thumb Screw Nut ..	12
39629	4059	Stop Cam Pin	15
23515	4021	" " Spring (long)	08
23516	4021	" " " (short)	05
23517	4019	" " " Cover with 23499, two each 9780 and 28034	25
9780	4021	Stop Cam Spring Cover Position Pin ..	01
997E	4021	" " " " Screw (2) ..	05
39637	4021	" " " Stop Block	30
1349C	4004	" " " " Screw	04
39638	4021	" " " " " Block ..	30
457C	4012	" " " " " Set Screw ..	02
23518	4010	" Lever	75
78D	4004	" " Hinge Screw	06
9540	4021	" " Spring	02
2102	4022	Tension Disc (2)	05
1560C	4022	" Regulating Thumb Nut	04
23519	4022	" Releaser with 200F	30
200F	4022	" " Set Screw	03
23520	4022	" " Shaft	10
23521	4022	" " " Arm	40
23694	4022	" " " " Connection ..	25
23695	4022	" " " " " " " Bracket	25
191C	4022	Tension Releaser Shaft Arm Connection Screw	03
39541	4040	Tension Releaser Shaft Arm Connection Screw Washer	05

No.	Plate	Name	Each
39591	4004	Clamp Carrier Guide (left)	\$ 25
756D	4004	" " " " " Screw ..	02
23385	4007	" " " " (right)	50
1230F	4007	" " " " " Screw (3) ..	03
23386	4006	" " " " Plate	2 00
1231F	4007	" " " " " Screw (back) (2) ..	02
404D	4007	" " " " " " (front) (2) ..	02
39543	4039	" " " " Regulator with 233D and 1960	2 50
1232C	4007	Clamp Carrier Regulator Hinge Screw	12
1960	4007	" " " " " Roller and Screw Stud with 1520E	35
1520E	4012	Clamp Carrier Regulator Roller and Screw Stud Nut	03
39544	4012	Clamp Carrier Regulator Slide	30
1347C	4009	" " " " " Stud (to regu- late length of buttonhole)	10
1671C	4009	Clamp Carrier Regulator Stud Nut ..	08
39532	4009	" " " " " " Sleeve ..	10
233D	4007	" " " " " " Stop Screw	02
39614	4034	Clamp Carrier Slide with 39591 and three 756D	4 35
23392	4008	Clamp Carrier Slide Guide (left)	40
914F	4008	" " " " " " Screw (2)	04
23393	4008	Clamp Carrier Slide Guide (right) ...	40
914F	4008	" " " " " " Screw (2)	04
23394	4005	Clamp Carrier Slide Lever with 1960	2 50
23395	4005	" " " " " " Regulator	2 50
23396	4008	" " " " " " " Cap	20
223D	4008	Clamp Carrier Slide Lever Regulator Cap Screw (4)	02
67D	4008	Clamp Carrier Slide Lever Regulator Screw	12
1960	4007	Clamp Carrier Slide Lever Roller and Screw Stud with 1520E	35
1520E	4012	Clamp Carrier Slide Lever Roller and Screw Stud Nut	03
7278	4008	Clamp Carrier Slide Lever Socket Joint	25
1234C	4008	Clamp Carrier Slide Regulating Stud	20
23397	4008	" " " " " " " Bushing	20
1658C	4008	Clamp Carrier Slide Regulating Stud Thumb Nut	15

No.	Plate	Name	Each
1256D	4008	Clamp Carrier Slide Screw	\$ 08
39546	4040	" " Check, for 1½ in. buttonhole ..	75
39547	4040	" " " " " Adjusting Plate	50
219F	4008	" " " " " " Screw ..	02
109D	4008	" " " " " " Hinge Screw	04
39548	4040	" " " " " " Holder	50
1297F	4045	" " " " " " " Screw	04
39717	4039	" " " " " " Lifting Arm	60
1235F	4009	" " " " " " " Screw	04
39550	4042	" " " " " " " Plate	1 25
1235F	4009	" " " " " " " Screw (4)	04
23573	4005	" " " " " " " Support	25
402D	4007	" " " " " " " " Screw (2)	02
23574	4009	" " " " " " " Post	75
1659C	4009	" " " " " " " Pressure Regulating Thumb Nut	10
39514	4020	" " " " " " " Spring	15
23693	4009	" " " " " " " Bushing	1 00
1294C	4009	" " " " " " " " Position Stud	03
1550H	4009	" " " " " " " " " Nut ..	03
39551	—	Clamp complete, Nos. 1294C, 1550H, 1659C, 23379, 23380, 23574, 23693 to 23695, 39514, 39539, 39540, 39546 to 39548, 39550, 39717, two each 109D, 625F, 1297F, 1547D, three each 219F, 402D, 1235F, four each 191C and 39541	11 00
24028	4000	Crank Connecting Rod with 24085 and two 896E	1 35
*24085	—	Crank Connecting Rod Cap	—
896E	4025	" " " " " " " Screw ..	04
908C	4025	" " " " " " " Hinge Screw	12
1619E	4025	" " " " " " " " " Nut	05
23406	4000	Face Plate	1 25
217F	4025	" " " " " " " Screw (2)	03
23672	4033	Feed Connecting Rod with 12204 and two 145E	1 00
*12204	—	Feed Connecting Rod Cap	—
145F	4018	" " " " " " " " Screw ..	04
375C	4025	" " " " " " " " Hinge Screw ..	12
1518F	4002	" " " " " " " " " Nut ..	04
23412	4013	" " " " " " " " Eccentric with 448C	2 50
448C	4015	" " " " " " " " Set Screw	03
23413	4000	" " " " " " " " Hand Ratchet Lever with 214D and 1049C	75
23414	4013	Feed Hand Ratchet Lever Collar with two 453C	50
453C	4013	Feed Hand Ratchet Lever Collar Set Screw	02

No.	Plate	Name	Each
39567	—	Feed Hand Ratchet Lever Pawl Body with 214D	\$ 50
39522	4000	Feed Hand Ratchet Lever Pawl complete, Nos. 207c, 39523, 39567 and two 1049c	75
90D	4013	Feed Hand Ratchet Lever Pawl Hinge Screw	05
39523	4012	Feed Hand Ratchet Lever Pawl Point	25
1049c	4013	Feed Hand Ratchet Lever Pawl Point Position Screw	02
207c	4012	Feed Hand Ratchet Lever Pawl Point Screw	02
13218	4013	Feed Hand Ratchet Lever Pawl Spring	05
214D	4013	Feed Hand Ratchet Lever Pawl Spring Screw	03
1049c	4013	Feed Hand Ratchet Lever Pawl Stop Screw	02
23416	4013	Feed Hand Ratchet Wheel with 460c	1 25
3012	4013	" " " " Pin	01
460c	4013	" " " " Set Screw	02
23418	4000	" Rock Shaft	1 50
23419	—	Feed Rock Shaft complete, Nos. 23418 and 23420	2 10
23420	4000	Feed Rock Shaft Hinge Pin with 23421	60
23421	4013	Feed Rock Shaft Hinge Pin Plug (leather) Per 100	50
448c	4015	Feed Rock Shaft Hinge Pin Set Screw	03
23673	4011	Feed Wheel with 23432 and two 220D	6 00
150c	4012	" " Cap Screw	10
39553	4042	" " Driving Lever	3 00
39597	4045	" " " " Block with 602D and 39598 (2)	80
769c	4045	Feed Wheel Driving Lever Block Adjusting Screw	06
39594	4045	Feed Wheel Driving Lever Block Adjusting Screw Bracket with 769c, 898c and 39504 (2)	60
185H	4045	Feed Wheel Driving Lever Block Adjusting Screw Bracket Screw (4)	02
898c	4045	Feed Wheel Driving Lever Block Adjusting Screw Clamping Screw	04
39504	4064	Feed Wheel Driving Lever Block Adjusting Screw Clamping Screw Washer	01

No.	Plate	Name	Each
39598	4045	Feed Wheel Driving Lever Block Lock Spring	\$ 03
602D	4045	Feed Wheel Driving Lever Block Lock Spring Screw	02
39554	4042	Feed Wheel Driving Lever Pitman with 23429, 50088c and two 196F	1 65
50088c	4072	Feed Wheel Driving Lever Pitman Ball Joint Screw	15
*23429	—	Feed Wheel Driving Lever Pitman Cap	—
196F	4007	Feed Wheel Driving Lever Pitman Cap Screw	02
23427	4010	Feed Wheel Driving Lever Plate	25
404D	4007	" " " " " Screw (2)	02
1236c	4012	Feed Wheel Driving Lever Regulating Stud	12
7070	4007	Feed Wheel Driving Lever Regulating Stud Sleeve	10
1658A	4008	Feed Wheel Driving Lever Regulating Stud Thumb Nut	15
1237c	4012	Feed Wheel Friction Ring Screw	10
1520E	4012	" " " " " Nut	03
14017	4012	Feed Wheel Friction Ring Screw Washer	05
23552	4010	Feed Wheel Friction Ring Section (long)	45
23553	4010	Feed Wheel Friction Ring Section (short)	45
23554	4012	Feed Wheel Friction Ring Spring	10
23555	—	Feed Wheel Friction Ring complete, Nos. 23552 to 23554	1 00
2117	4012	Feed Wheel Pin	01
2254	4045	" " Retaining Clutch	20
39595	4045	" " " " Cap	10
898c	4045	" " " " " Screw	04
39504	4064	" " " " " Washer	01
2256	4045	Feed Wheel Retaining Clutch Spring	03
233D	4007	" " " " " Screw	02
721D	4045	Feed Wheel Retaining Clutch Spring Stop Screw	06
39596	4045	Feed Wheel Retaining Clutch Stud	25
23431	4010	" " Shaft	1 50
457c	4012	" " " Oil Hole Plug Screw	02
23433	4010	" " Tripping Lever	2 00

No.	Plate	Name	Each
1257c	4012	Feed Wheel Tripping Lever Hinge Screw	\$ 15
23587	4012	Feed Wheel Tripping Lever Point	25
203c	4003	" " " " " " Screw (2)	03
23435	4013	Feed Wheel Tripping Lever Spring	10
190d	4013	" " " " " " Screw	03
179E	4004	Feed Wheel Tripping Lever Stop Screw	03
23432	4012	Feed Wheel Tripping Point.....	40
220d	4012	" " " " " " Screw	02
23447	—	Knife, $\frac{1}{2}$ inch	20
23448	—	" $\frac{9}{16}$ inch	20
23449	—	" $\frac{5}{8}$ inch	20
23450	—	" $\frac{11}{16}$ inch	20
23451	4014	" $\frac{3}{4}$ inch	20
23452	—	" $\frac{13}{16}$ inch	20
23453	—	" $\frac{7}{8}$ inch	20
23454	—	" $\frac{15}{16}$ inch	20
23455	—	" 1 inch	20
23456	—	" $1\frac{1}{16}$ inch	20
23457	—	" $1\frac{1}{8}$ inch	20
23458	—	" $1\frac{3}{16}$ inch	20
23459	—	" $1\frac{1}{4}$ inch	20
39555	—	" $1\frac{5}{16}$ inch	20
39556	—	" $1\frac{3}{8}$ inch	20
39557	—	" $1\frac{7}{16}$ inch	20
39558	—	" $1\frac{1}{2}$ inch	20
23460	4010	" Bar	80
23461	4015	" " Connecting Link	1 00
1239F	4015	" " " " " " Hinge Cap Screw	04
1240c	4015	Knife Bar Connecting Link Hinge Screw	05
23462	4015	Knife Bar Connecting Stud with 1319F	60
1319F	4015	" " " " " " Clamping Screw	04
23463	4015	Knife Bar Disengaging Lever	40
23464	4015	" " " " " " Catch with 1963	60
23465	4015	Knife Bar Disengaging Lever Catch Bracket	1 00
157d	4015	Knife Bar Disengaging Lever Catch Bracket Screw (2)	04
90c	4013	Knife Bar Disengaging Lever Catch Hinge Screw	05
1963	4015	Knife Bar Disengaging Lever Catch Roller and Stud	20

No.	Plate	Name	Each
23468	4015	Knife Bar Disengaging Lever Catch Spring	\$ 05
1241E	4015	Knife Bar Disengaging Lever Catch Spring Screw Stud (2)	05
23466	4015	Knife Bar Disengaging Lever Catch Tripping Point	30
23467	4015	Knife Bar Disengaging Lever Catch Tripping Point Collar with two 448c	40
448c	4015	Knife Bar Disengaging Lever Catch Tripping Point Collar Set Screw	03
175d	4015	Knife Bar Disengaging Lever Catch Tripping Point Screw	02
90c	4013	Knife Bar Disengaging Lever Hinge Screw	05
23606	4015	Knife Bar Disengaging Lever Spring	10
1242E	4015	" " " " " " Screw (2)	05
240d	4003	Knife Bar Disengaging Lever Stop Screw	02
23469	4010	Knife Bar Driving Lever	1 25
1290c	4014	" " " " " " Hinge Screw	30
1428c	4014	" " " " " " Screw Stud	06
1520E	4012	" " " " " " " Nut	03
23681	4014	Knife Bar Driving Lever Spring	15
805c	4002	" " " " " " Screw	04
23470	4010	" " " " " " (intermedi- ate)	2 00
23471	4014	Knife Bar Driving Lever (intermedi- ate) Connecting Link	1 00
54c	4014	Knife Bar Driving Lever (intermedi- ate) Connecting Link Hinge Screw	10
1222c	4014	Knife Bar Driving Lever (intermedi- ate) Hinge Screw	15
1959	4014	Knife Bar Driving Lever (intermedi- ate) Roller and Screw Stud with 229d and 12424	35
229d	4014	Knife Bar Driving Lever (intermedi- ate) Roller Cap Screw	02
12424	4014	Knife Bar Driving Lever (intermedi- ate) Roller Cap Screw Washer ..	02
23682	4014	Knife Bar Spring	05
39566	4014	" " Stop	1 15
39565	—	Knife Bar Stop complete, Nos. 1673c, 23548 and 39566	1 40
1673c	4014	Knife Bar Stop Lock Nut	20
23548	4014	" " " Plug (fibre)	02
23473	4014	" Holder	2 50

Parts for Machine No. 71-13

No.	Plate	Name	Each
1243c	4014	Knife Holder Guide Stud	\$ 08
1608c	4014	" " " Nut	05
157c	4015	" " Screw	04
1547c	4009	" " " Nut	03
191c	4022	" Screw	03
23390	4014	" " Washer	10
39600	4048	Needle Bar with 904F	30
23476	4016	" " Connecting Link with 794E	50
794E	4016	Needle Bar Connecting Link Adjust- ing Screw	05
1021	4016	Needle Bar Connecting Link Cap Screw	06
39601	4004	Needle Bar Connecting Stud with 1341c	25
1341c	4004	Needle Bar Connecting Stud Set Screw	04
23477	4010	Needle Bar Crank with 858c, 1036c, 1065c and 1258c	80
1065c	4025	Needle Bar Crank Position Screw	10
858c	4002	" " " Set Screw	03
23478	4006	" " Frame with 4784	2 00
23674	4033	" " " Cam and Bevel Gear	3 00
1244c	4016	Needle Bar Frame Cam and Bevel Gear Screw	20
23486	4016	Needle Bar Frame Driving Bevel Pin- ion with two 453c	1 00
453c	4013	Needle Bar Frame Driving Bevel Pin- ion Set Screw	02
23610	—	Needle Bar Frame Pitman (hinge screw end)	65
23675	—	Needle Bar Frame Pitman (regulator end)	30
190c	4013	Needle Bar Frame Pitman Adjusting Screw	03
7071	4003	Needle Bar Frame Pitman Adjusting Screw Washer	01
23676	4033	Needle Bar Frame Pitman (adjust- able) complete, Nos. 23610, 23675, two each 190c and 7071	1 00
1042F	4016	Needle Bar Frame Pitman Hinge Screw	06
1547D	4009	Needle Bar Frame Pitman Hinge Screw Nut	03
23677	4033	Needle Bar Frame Regulator with 1956	2 25
1038c	4004	Needle Bar Frame Regulator Adjust- ing Screw	10

Parts for Machine No. 71-13

No.	Plate	Name	Each
7070	4007	Needle Bar Frame Regulator Adjust- ing Screw Sleeve	\$ 10
1589c	4003	Needle Bar Frame Regulator Adjust- ing Screw Thumb Nut	06
1956	4016	Needle Bar Frame Regulator Roller and Screw Stud with 229D, 1655E and 23389	35
1655E	4002	Needle Bar Frame Regulator Roller and Screw Stud Nut	04
229D	4014	Needle Bar Frame Regulator Roller Cap Screw	02
23389	4016	Needle Bar Frame Regulator Roller Cap Screw Washer	02
23667	4016	Needle Bar Frame Regulator Stud	75
673F	4016	" " " Screw Center	08
1517E	4016	" " " " " Nut	04
904F	4004	" Set Screw	02
39653	4048	Oscillating Rock Shaft	1 00
39654	—	Oscillating Rock Shaft complete, Nos. 4784, 23494 and 39653	1 50
23494	4006	Oscillating Rock Shaft Hinge Pin with 23421	50
23421	4013	Oscillating Rock Shaft Hinge Pin Oil Hole	Per 100 50
878D	4013	Oscillating Rock Shaft Hinge Pin Oil Hole Stop Screw	06
12459	4013	Oscillating Rock Shaft Hinge Pin Oil Hole Stop Screw Washer (leather)	Per 100 50
448c	4015	Oscillating Rock Shaft Hinge Pin Set Screw	03
4784	4013	Oscillating Rock Shaft Oil Pad	01
39655	4051	" Shaft	50
39656	4023	" " Bushing (back)	40
24047	4013	" " " (front)	40
39657	—	" " Crank	50
39692	4023	Oscillating Shaft Crank complete, Nos. 1636E, 15171, 39657 and two 1253c	1 10
1253c	4023	Oscillating Shaft Crank Set Screw	03
15170	4023	" " " Slide Block	35
229D	4014	" " " " " Cap Screw	02
12424	4015	Oscillating Shaft Crank Slide Block Cap Screw Washer	02
1035c	4017	Oscillating Shaft Crank Slide Block Screw Stud	15
1636E	4017	Oscillating Shaft Crank Slide Block Screw Stud Nut	03

Parts for Machine No. 71-13

No.	Plate	Name	Each
15171	4023	Oscillating Shaft Crank Slide Block complete, Nos. 229D, 1035C, 12424 and 15170	\$ 50
23497	4019	Pulley (loose)	1 75
40024	4035	" (tight)	2 50
23499	4019	" Counterbalance	20
28034	4020	" " Rivet	01
40025	4004	" " Pin	01
23500	4017	Shuttle Bobbin	08
15140	4017	" Case Latch	10
2973	4017	" " Lever	10
2974	4017	" " Fulcrum Pin	Per 100 10
15141	—	Shuttle Bobbin Case Hinge, Nos. 2973, 2974 and 15140	25
2975	4017	Shuttle Bobbin Case Latch Spring ..	02
592E	4017	" " " Stop Screw ..	02
15027	4050	" " Position Finger ..	05
2523	4017	" " Rivet	Per 100 25
15277	4072	Shuttle Bobbin Case complete, Nos. 591F, 592E, 2523, 2975, 15027, 15141 and 15278	75
39577	4050	Shuttle Body	75
591F	4017	" Tension Regulating Screw ..	02
15278	4072	" Spring	10
39578	4050	" 1 1/8 in. diam., Nos. 15277, 23500 and 39577	1 50
23505	4017	Shuttle Driver with 462C	75
2269	4017	" Pin	01
462C	4017	" Set Screw	02
14049	4018	" Race Back	40
2532	4018	" " Position Pin .. Per 100 ..	10
2533	4018	" " Spring	12
648D	4018	" " Screw	07
*23506	—	" " Body	—
39904	—	" " 23506 with 7326 and two 662D	1 35
7326	4018	Shuttle Race Cap	15
662D	4018	" " Screw	02
23621	4018	Shuttle Race complete, Nos. 648D, 2533, 14049, 39904 and two 2532 ..	1 95
145F	4018	Shuttle Race Screw (2)	04
23509	4019	Starting Lever	3 50
717C	4020	" Adjusting Screw	08
1520E	4012	" " Nut	03
23556	4007	" Belt Shifter	75
159F	4020	" " Screw	03
23510	4019	" Bracket	1 00

Parts for Machine No. 71-13

No.	Plate	Name	Each
8582	4013	Starting Lever Bracket Dowel Pin (2) \$	02
123E	4020	" " " Screw	06
23511	4019	" " Rod	75
61C	4020	" " " Hinge Screw	06
564C	4020	" " Screw Center (2)	12
1508E	4020	" " " Nut (2)	06
14174	4020	" " Spring	08
124F	4002	" " Stop Screw	08
1518E	4002	" " " Nut	04
39628	4059	Stop Cam with 39620	1 50
39580	4019	" Interlocking Rod	50
23514	4020	" " Guide with 1070C and 1959	1 50
1070C	4020	Stop Cam Interlocking Rod Guide Set Screw	08
21650	4021	Stop Cam Interlocking Rod Guide Washer (rawhide)	02
21651	4021	Stop Cam Interlocking Rod Spring ..	10
913C	4021	" " Regulating Thumb Screw	40
1638E	4021	Stop Cam Interlocking Rod Spring Regulating Thumb Screw Nut ..	12
39629	4059	Stop Cam Pin	15
23515	4021	" Spring (long)	08
23516	4021	" " (short)	05
23517	4019	" " Cover with 23499, two each 9780 and 28034	25
9780	4021	Stop Cam Spring Cover Position Pin ..	01
997E	4021	" " " Screw (2) ..	05
39637	4021	" " Stop Block	30
1349C	4004	" " " Screw	04
39638	4021	" " " Block ..	30
457C	4012	" " " Set Screw ..	02
23518	4010	" Lever	75
78D	4004	" " Hinge Screw	06
9540	4021	" " Spring	02
2102	4022	Tension Disc (2)	05
1560C	4022	" Regulating Thumb Nut	04
23519	4022	" Releaser with 200F	30
200F	4022	" " Set Screw	03
23520	4022	" " Shaft	10
23641	4020	" " " Arm	15
23694	4022	" " " Connection ..	25
23695	4022	" " " Bracket	25
191C	4022	Tension Releaser Shaft Arm Connection Screw	03
39541	4040	Tension Releaser Shaft Arm Connection Screw Washer	05

Parts for Machine No. 71-13

No.	Plate	Name	Each
39560	4040	Tension Releaser Shaft Arm Hub ...	\$ 40
2269	4017	" " " " " Pin	01
413F	4022	" Screw Stud	10
2103	4022	" Spring	03
23669	4022	" Thread Guard	10
460c	4013	" " " Set Screw	02
12400	4022	Thread Retainer Sleeve	05
12401	4022	" " Spring	01
12402	4022	" " Stud	07
460c	4013	" " " Set Screw	02
12399	—	Thread Retainer complete, Nos. 12400 to 12402	15
23523	4023	Thread Take-up Crank	80
1036c	4023	" " " Position Screw	03
1258c	4023	" " " Set Screw ..	02
23524	4023	" " Lever	1 00
12166	4023	" " " Hinge Pin	05
23543	4023	" " " Link	40
11204	4023	" " " " Hinge Pin	15
435c	4058	" " " " " "	
		Set Screw	04
23525	—	Thread Take-up Lever complete, Nos. 12166, 23524 and 23543	1 45
4784	4013	Thread Take-up Lever Oil Pad	01
7335	4022	" " Spring	03
23526	4022	" " " Regulator	25
446c	4025	" " " " Set Screw	03

LIST OF PARTS COMPLETE

FOR

MACHINE No. 71-23

Makes Purl Stitch, Barred Ends, Knives from $\frac{1}{2}$ to $\frac{3}{4}$ in.
Long. Cuts Before Stitching.

No.	Plate	Name	Each
*23560	—	Arm with 24081	\$ —
8582	4013	" Dowel Pin (2)	02
748E	4025	" Screw (back) (2)	08
868E	4025	" " (front) (2)	10
23561	4047	" Shaft	2 50
*24081	—	" " Bushing (front)	—
12357	4000	" " Flanged Bushing (back) ..	20
435c	4058	" " " " " Set Screw	04
4784	4013	Arm Shaft Oil Pad	01
1069D	4025	" " Screw	12
39696	4068	" Side Cover	20
286D	4024	" " " Thumb Screw	10
39697	4068	" Top Cover	1 00
808F	4025	" " " Screw (3)	03
23562	4002	Barring Cam with two 858c	2 50
858c	4002	" " " Set Screw	03
39844	4074	" Indicator	35
1228c	4003	" " Stud	08
1589c	4003	" " " Thumb Nut	06
23563	4002	" Lever	2 50
23564	4002	" " Catch with 1226c	1 25
1276c	4002	" " " Hinge Screw	12
1226c	4002	" " " Position Stud	04
23565	4002	" " " Spring	10
805c	4002	" " " " Screw	04
8905	4002	" " " " Washer	01
39616	4004	" " " Stud	25
39617	4004	" " " " Rivet (long)	01
39618	4004	" " " " " (short)	01
1227c	4002	" " Hinge Screw	10
1655E	4002	" " " Nut	04
23566	4002	" " Spring	10
124F	4002	" " Stop Screw	08
1518E	4002	" " " Nut	04
23361	4003	" Ratchet Pawl	1 25

No.	Plate	Name	Each
1248C	4003	Barring Ratchet Pawl Hinge Screw	\$ 08
23362	4003	" " " Spring	05
93H	4003	" " " " Screw	04
15072	4003	" " " " Stop Pin	10
	 Per 100	10
23544	4003	Barring Ratchet Retaining Pawl (hinge screw end)	40
23545	4003	Barring Ratchet Retaining Pawl (wheel end)	50
203C	4003	Barring Ratchet Retaining Pawl Adjusting Screw	03
23546	—	Barring Ratchet Retaining Pawl (adjustable) complete, Nos. 203c, 23544 and 23545	90
999F	4003	Barring Ratchet Retaining Pawl Hinge Screw	05
23364	4003	Barring Ratchet Retaining Pawl Spring	05
240D	4003	Barring Ratchet Retaining Pawl Spring Screw	02
23664	4003	Barring Ratchet Wheel	1 50
23665	4003	" " " Spring	05
1286C	4003	" " " " Screw	06
23666	4003	" " " " Washer	01
23367	4003	" " " " Tripping Point	70
193F	4003	" " " " " Screw	03
7071	4003	Barring Ratchet Wheel Tripping Point Screw Washer	01
23370	4003	Barring Tripping Lever	80
856C	4003	" " " " Hinge Screw	05
*39710	—	Bed	—
39662	4047	" Oil Guard	75
1235F	4009	" " " Screw (2)	04
39647	4066	Clamp Arm	4 00
625F	4009	" " Adjusting Screw (2)	05
1547D	4009	" " " Nut (2)	03
39584	4034	" " Bracket with 196F	1 00
40003	4041	" " " Guide (left)	20
217F	4025	" " " " " Screw (2)	03
40004	4041	Clamp Arm Bracket Guide (right)	20
217F	4025	" " " " " Screw (2)	03
191C	4022	Clamp Arm Bracket Screw (3)	03
39541	4040	" " " " Washer (3)	05
23379	4007	" " Hinge Block	1 00
23380	4007	" " " " Pin	05

No.	Plate	Name	Each
196F	4007	Clamp Arm Hinge Block Pin Set	\$ 02
		Screw	02
1231F	4007	Clamp Arm Screw (3)	3 00
39507	4006	" Carrier	75
40006	4004	" " Block with 40007 and four 404D	20
40007	4004	Clamp Carrier Block Plate	02
404D	4004	" " " " Screw	50
23384	4007	" " Connecting Rod	10
52C	4007	" " " " Hinge Screw	25
39591	4004	Clamp Carrier Guide (left)	02
756D	4004	" " " " Screw	50
23385	4007	" " " (right)	03
1230F	4007	" " " " Screw (3)	2 00
23386	4006	" " Plate	02
1231F	4007	" " " Screw (back) (2)	02
404D	4004	" " " " (front) (2)	2 50
40010	4035	" " Regulator with 240D, 1960 and 39583	12
1232C	4007	Clamp Carrier Regulator Hinge Screw	35
1960	4007	" " " Roller and Screw Stud with 1520E	03
1520E	4012	Clamp Carrier Regulator Roller and Screw Stud Nut	30
39544	4012	Clamp Carrier Regulator Slide	10
1347C	4009	" " " Stud (to regulate length of buttonhole)	08
1671C	4009	Clamp Carrier Regulator Stud Nut	10
39532	4009	" " " " Sleeve	10
39583	4004	" " " " Stop	02
240D	4003	" " " " " Screw	4 35
39618	4034	Clamp Carrier Slide with 39591 and three 756D	40
23392	4008	Clamp Carrier Slide Guide (left)	04
914F	4008	" " " " " Screw	40
23393	4008	" " " " (right)	04
914F	4008	" " " " " Screw (2)	2 50
23394	4005	Clamp Carrier Slide Lever with 1960	2 50
23395	4005	" " " " Regulator	20
23396	4008	" " " " " Cap	02
223D	4008	Clamp Carrier Slide Lever Regulator Cap Screw (4)	12
67D	4008	Clamp Carrier Slide Lever Regulator Screw	

Parts for Machine No. 71-23

No.	Plate	Name	Each
1960	4007	Clamp Carrier Slide Lever Roller and Screw Stud with 1520E	\$ 35
1520E	4012	Clamp Carrier Slide Lever Roller and Screw Stud Nut	03
7278	4008	Clamp Carrier Slide Lever Socket Joint	25
1234C	4008	Clamp Carrier Slide Regulating Stud	20
23397	4008	" " " "	"
		Bushing	20
1658C	4008	Clamp Carrier Slide Regulating Stud Thumb Nut	15
1256D	4008	Clamp Carrier Slide Screw (2)	08
39663	4061	" Check, for 1/2 to 3/4 in. buttonholes	75
39707	4056	" " Holder	3 50
212D	4066	" " " Hinge Cap Screw	04
237E	4056	" " " Stop Screw	02
39715	4066	" " " Washer	02
1296C	4066	" " Screw (2)	02
1296C	4066	" " Stop Screw	02
39549	4042	" Lifting Arm	50
1235F	4009	" " " Screw (3)	04
40020	4055	" Plate	1 25
1235F	4009	" " Screw (4)	04
23573	4005	" " Support	25
402D	4007	" " " Screw (2)	02
23574	4009	" Post	75
1659C	4009	" Pressure Regulating Thumb Nut	10
23404	4009	" Spring	15
23693	4009	" " Bushing	1 00
1294C	4009	" " " Position Stud	03
1550H	4009	" " " " Nut	03
23575	4062	Crank Connecting Rod with 29513 and two 1057E	1 00
*29513	—	Crank Connecting Rod Cap	—
1057E	4061	" " " " Screw	04
908C	4025	" " " " Hinge Screw	12
1619E	4025	" " " " " "	"
		Nut	05
23576	4061	Cutting Connecting Rod with 23577 and two 1057E	1 00
*23577	—	Cutting Connecting Rod Cap	—
1057E	4061	" " " " Screw	04
28C	4061	" " " " Hinge Screw	12
23578	4061	" " " " Slide	75
39664	4061	" " " " Cap	1 50
2269	4017	" " " " " "	"
		Dowel Pin (2)	01
691F	4061	Cutting Connecting Rod Slide Cap Screw (2)	04

Parts for Machine No. 71-23

No.	Plate	Name	Each
39665	4061	Cutting Connecting Rod Slide Latch with 39667	\$1 50
1291C	4061	Cutting Connecting Rod Slide Latch Hinge Screw	08
1520E	4012	Cutting Connecting Rod Slide Latch Hinge Screw Nut	03
39666	4061	Cutting Connecting Rod Slide Latch Spring	05
185H	4045	Cutting Connecting Rod Slide Latch Stop Screw	02
1607E	4061	Cutting Connecting Rod Slide Latch Stop Screw Nut	03
39667	4061	Cutting Connecting Rod Slide Latch Stud	10
23582	4061	Cutting Connecting Rod Slide Latch Tripping Lever with 171F and 1550H	2 00
1278C	4061	Cutting Connecting Rod Slide Latch Tripping Lever Hinge Screw	12
23583	4061	Cutting Connecting Rod Slide Latch Tripping Lever Spring	05
1241E	4015	Cutting Connecting Rod Slide Latch Tripping Lever Spring Screw	05
39668	4064	Cutting Connecting Rod Slide Latch Tripping Lever Stop Bracket	50
39669	4064	Cutting Connecting Rod Slide Latch Tripping Lever Stop Bracket Position Pin	01
50010D	4064	Cutting Connecting Rod Slide Latch Tripping Lever Stop Bracket Screw	04
39504	4064	Cutting Connecting Rod Slide Latch Tripping Lever Stop Bracket Washer	01
171F	4064	Cutting Connecting Rod Slide Latch Tripping Lever Stop Screw	03
1550H	4009	Cutting Connecting Rod Slide Latch Tripping Lever Stop Screw Nut	03
23406	4000	Face Plate	1 25
217F	4025	" " Screw (2)	03
23407	4001	Feed Connecting Rod (lower)	2 50
375C	4025	" " " " Hinge Screw	12
1518E	4002	Feed Connecting Rod (lower) Hinge Screw Nut	04
23408	4001	Feed Connecting Rod (upper) with 12204 and two 966E	1 50
*12204	—	Feed Connecting Rod (upper) Cap	—

No.	Plate	Name	Each
966E	4025	Feed Connecting Rod (upper) Cap Screw	\$ 04
23409	4001	Feed Disengaging Lever	1 25
1275c	4003	" " " Hinge Screw	10
1521E	4003	" " " " " "	
		Nut	03
23557	4001	Feed Disengaging Lever Spring	10
23412	4013	" Eccentric with 448c	2 50
448c	4015	" " Set Screw	03
23413	4000	" Hand Ratchet Lever with 214D and 1049c	75
23414	4013	Feed Hand Ratchet Lever Collar with two 453c	50
453c	4013	Feed Hand Ratchet Lever Collar Set Screw	02
39567	—	Feed Hand Ratchet Lever Pawl Body with 214D	50
39522	4000	Feed Hand Ratchet Lever Pawl complete, Nos. 207c, 39523, 39567 and two 1049c	75
90D	4013	Feed Hand Ratchet Lever Pawl Hinge Screw	05
39523	4012	Feed Hand Ratchet Lever Pawl Point	25
1049c	4013	Feed Hand Ratchet Lever Pawl Point Position Screw	02
207c	4012	Feed Hand Ratchet Lever Pawl Point Screw	02
13218	4013	Feed Hand Ratchet Lever Pawl Spring	05
214D	4013	Feed Hand Ratchet Lever Pawl Spring Screw	03
1049c	4013	Feed Hand Ratchet Lever Pawl Stop Screw	02
23416	4013	Feed Hand Ratchet Wheel with 460c	1 25
3012	4013	" " " " Pin	01
460c	4013	" " " " Set Screw	02
23418	4000	" Rock Shaft	1 50
23419	—	Feed Rock Shaft complete, Nos. 23418 and 23420	2 10
23420	4000	Feed Rock Shaft Hinge Pin with 23421	60
23421	4013	Feed Rock Shaft Hinge Pin Plug (leather)	50
448c	4015	Feed Rock Shaft Hinge Pin Set Screw	03
23422	4013	Feed Rock Shaft Spring	15
39590	4004	" " " " Plate	02
181D	4013	" " " " Screw	04

No.	Plate	Name	Each
23698	4035	Feed Wheel with 23432 and two 220D, for wide bight and wide cutting space, for overall work, etc.	\$6 00
150c	4012	Feed Wheel Cap Screw	10
23424	4010	" " Driving Lever	3 00
39597	4045	" " " " Block with 602D and 39598 (2)	80
769c	4045	Feed Wheel Driving Lever Block Adjusting Screw	06
39594	4045	Feed Wheel Driving Lever Block Adjusting Screw Bracket with 769c, 898c and 39504 (2)	60
185H	4045	Feed Wheel Driving Lever Block Adjusting Screw Bracket Screw (4)	02
898c	4045	Feed Wheel Driving Lever Block Adjusting Screw Clamping Screw ..	04
39504	4064	Feed Wheel Driving Lever Block Adjusting Screw Clamping Screw Washer	01
39598	4045	Feed Wheel Driving Lever Block Lock Spring	03
602D	4045	Feed Wheel Driving Lever Block Lock Spring Screw	02
23428	4012	Feed Wheel Driving Lever Pitman with 23429, 50088c and two 196F ..	1 65
50088c	4072	Feed Wheel Driving Lever Pitman Ball Joint Screw	15
*23429	—	Feed Wheel Driving Lever Pitman Cap	—
196F	4007	Feed Wheel Driving Lever Pitman Cap Screw	02
23427	4010	Feed Wheel Driving Lever Plate	25
404D	4004	" " " " " " Screw (2)	02
1236c	4012	Feed Wheel Driving Lever Regulating Stud	12
7070	4007	Feed Wheel Driving Lever Regulating Stud Sleeve	10
1658A	4008	Feed Wheel Driving Lever Regulating Stud Thumb Nut	15
1237c	4012	Feed Wheel Friction Ring Screw ..	10
1520E	4012	" " " " " " Nut	03
14017	4012	Feed Wheel Friction Ring Screw Washer	05
23552	4010	Feed Wheel Friction Ring Section (long)	45
23553	4010	Feed Wheel Friction Ring Section (short)	45

No.	Plate	Name	Each
23554	4012	Feed Wheel Friction Ring Spring ...	\$ 10
23555	—	Feed Wheel Friction Ring complete, Nos. 23552 to 23554	1 00
2117	4012	Feed Wheel Pin	01
2254	4045	" " Retaining Clutch	20
39595	4045	" " " " Cap	10
898c	4045	" " " " " Screw	04
39504	4064	" " " " " " " Washer	01
2256	4045	Feed Wheel Retaining Clutch Spring	03
233D	4007	" " " " " " " Screw	02
721D	4045	Feed Wheel Retaining Clutch Spring Stop Screw	06
39596	4045	Feed Wheel Retaining Clutch Stud ..	25
23431	4010	" " Shaft	1 50
457c	4012	" " " Oil Hole Plug Screw	02
23433	4010	Feed Wheel Tripping Lever	2 00
1257c	4012	" " " Hinge Screw	15
23587	4012	Feed Wheel Tripping Lever Point ..	25
203c	4003	" " " " " " " Screw (2)	03
23435	4013	Feed Wheel Tripping Lever Spring ..	10
190D	4013	" " " " " " " Screw	03
179E	4004	Feed Wheel Tripping Lever Stop Screw	03
23432	4012	Feed Wheel Tripping Point	40
220D	4012	" " " " " Screw ..	02
23592	—	Knife, $\frac{1}{2}$ inch	20
23593	—	" $\frac{1}{8}$ inch	20
23594	—	" $\frac{3}{8}$ inch	20
23595	—	" $\frac{1}{2}$ inch	20
23596	4064	" $\frac{3}{4}$ inch	20
23460	4010	" Bar	30
23461	4015	" " Connecting Link	1 00
1239F	4015	" " " " Hinge Cap Screw	04
1240c	4015	Knife Bar Connecting Link Hinge Screw	05
23462	4015	Knife Bar Connecting Stud with 1319F ..	60
1319F	4015	" " " " Clamping Screw	04
39670	4062	Knife Bar Disengaging Lever	1 50
39671	4064	" " " " Catch (sleeve)	1 25

No.	Plate	Name	Each
39672	4064	Knife Bar Disengaging Lever Catch Guide Plate	\$ 20
39673	4064	Knife Bar Disengaging Lever Catch Guide Plate Holder with 156F ..	1 25
156F	4064	Knife Bar Disengaging Lever Catch Guide Plate Holder Position Screw	05
217F	4025	Knife Bar Disengaging Lever Catch Guide Plate Screw	03
39674	4064	Knife Bar Disengaging Lever Catch Spring	10
39675	4064	Knife Bar Disengaging Lever Catch Spring Collar with two 191c	20
191c	4022	Knife Bar Disengaging Lever Catch Spring Collar Set Screw	03
50011c	4064	Knife Bar Disengaging Lever Hinge Screw	15
39676	4064	Knife Bar Disengaging Lever Spring ..	10
190D	4013	" " " " " " " Screw	03
39677	4064	Knife Bar Disengaging Lever Trip- ping Bracket	50
190D	4013	Knife Bar Disengaging Lever Trip- ping Bracket Screw (2)	03
7071	4003	Knife Bar Disengaging Lever Trip- ping Bracket Screw Washer (2) ..	01
39678	4062	Knife Bar Driving Lever	1 25
1290c	4014	" " " " Hinge Screw ..	30
39679	4063	" " " " Spring	15
1415c	4063	" " " " " Screw	05
39680	4062	" " " " (intermediate) ..	1 50
39681	4063	" " " " " " " Connecting Link	50
54c	4014	Knife Bar Driving Lever (intermedi- ate) Connecting Link Hinge Screw (2)	10
1222c	4014	Knife Bar Driving Lever (intermedi- ate) Hinge Screw	15
39566	4014	Knife Bar Stop	1 15
39565	—	Knife Bar Stop complete, Nos. 1673c, 23548 and 39566	1 40
1673c	4014	Knife Bar Stop Lock Nut	20
23548	4014	" " " Plug (fibre)	02
23473	4014	" Holder	2 50
1243c	4014	" " Guide Stud	08
1608c	4014	" " " " Nut	05
157c	4015	" " " Screw	04
1547c	4009	" " " Nut	03
191c	4022	" Screw	03

No.	Plate	Name	Each
23390	4014	Knife Screw Washer	\$ 10
39682	4062	Needle Bar	80
23476	4016	" " Connecting Link with 794E	50
794E	4016	Needle Bar Connecting Link Adjust- ing Screw	05
1021E	4016	Needle Bar Connecting Link Cap Screw	06
39601	4004	Needle Bar Connecting Stud with 1341c	25
1341c	4004	Needle Bar Connecting Stud Set Screw	04
23477	4010	Needle Bar Crank with 858c, 1036c, 1065c and 1258c	80
1065c	4025	Needle Bar Crank Position Screw	10
858c	4002	" " " Set Screw	03
23478	4006	" " Frame with 4784	2 00
23558	4001	" " " Bell Crank with 1956	3 00
1956	4016	Needle Bar Frame Bell Crank Roller and Screw Stud with 229D, 1655E and 23389	35
1655E	4002	Needle Bar Frame Bell Crank Roller and Screw Stud Nut	04
229D	4014	Needle Bar Frame Bell Crank Roller Cap Screw	02
23389	4016	Needle Bar Frame Bell Crank Roller Cap Screw Washer	02
23667	4016	Needle Bar Frame Bell Crank Stud	75
23481	4001	" " " Cam and Bevel Gear	4 00
1244c	4016	Needle Bar Frame Cam and Bevel Gear Screw	20
39622	4048	Needle Bar Frame Connection with 1963 and 39616 to 39618	2 00
78c	4004	Needle Bar Frame Connection Hinge Screw	06
1963	4015	Needle Bar Frame Connection Roller and Stud	20
23483	4004	Needle Bar Frame Connection Spring	10
23484	4004	" " " " "	
		Hook	15
1226E	4002	Needle Bar Frame Connection Spring Screw Stud	04
23485	4004	Needle Bar Frame Connection Stud	05
196F	4007	" " " " " Set Screw	02
23486	4016	Needle Bar Frame Driving Bevel Pin- ion with two 453c	1 00

No.	Plate	Name	Each
453c	4013	Needle Bar Frame Driving Bevel Pin- ion Set Screw	\$ 02
23610	—	Needle Bar Frame Pitman (hinge screw end)	65
23609	—	Needle Bar Frame Pitman (regulator end)	40
190c	4013	Needle Bar Frame Pitman Adjusting Screw	03
7071	4003	Needle Bar Frame Pitman Adjusting Screw Washer	01
23611	4016	Needle Bar Frame Pitman (adjust- able) complete, Nos. 23609, 23610, two each 190c and 7071	1 15
1042F	4016	Needle Bar Frame Pitman Hinge Screw	06
1547D	4009	Needle Bar Frame Pitman Hinge Screw Nut	03
23491	4004	Needle Bar Frame Regulator	1 50
39900	—	" " " " 23491 with 1245c	1 60
1038c	4004	Needle Bar Frame Regulator Adjust- ing Screw	10
7070	4007	Needle Bar Frame Regulator Adjust- ing Screw Sleeve	10
1589c	4003	Needle Bar Frame Regulator Adjust- ing Screw Thumb Nut	06
1245c	4004	Needle Bar Frame Regulator Hinge Screw	12
673E	4016	Needle Bar Frame Screw Center	08
1517E	4016	" " " " " Nut	04
39683	4063	" Clamp with 1049F	75
1049F	4013	" " Screw	02
39684	4063	" Plate	1 00
404D	4007	" " Screw (2)	02
39653	4048	Oscillating Rock Shaft	1 00
39654	—	Oscillating Rock Shaft complete, Nos. 4784, 23494 and 39653	1 50
23494	4006	Oscillating Rock Shaft Hinge Pin with 23421	50
23421	4013	Oscillating Rock Shaft Hinge Pin Oil Hole Plug (leather) Per 100	50
878D	4013	Oscillating Rock Shaft Hinge Pin Oil Hole Stop Screw	06
12459	4013	Oscillating Rock Shaft Hinge Pin Oil Hole Stop Screw Washer (leather) Per 100	50
448c	4015	Oscillating Rock Shaft Hinge Pin Set Screw	03

Parts for Machine No. 71-23

No.	Plate	Name	Each
4784	4013	Oscillating Rock Shaft Oil Pad	\$ 01
39655	4051	" Shaft	50
39656	4023	" " Bushing (back)	40
24047	4013	" " " (front)	40
39657	—	" " Crank	50
39658	4023	Oscillating Rock Shaft complete, Nos. 1636E, 24050, 39657 and two 1253c	1 05
1253c	4023	Oscillating Shaft Crank Set Screw	03
19448	4017	" " " Slide Block	35
229D	4014	" " " " "	02
12424	4015	Oscillating Shaft Crank Slide Block Cap Screw Washer	02
1035c	4017	Oscillating Shaft Crank Slide Block Screw Stud	15
1636E	4017	Oscillating Shaft Crank Slide Block Screw Stud Nut	03
24050	4017	Oscillating Shaft Crank Slide Block complete, Nos. 229D, 1035c, 12424 and 19448	50
23497	4019	Pulley (loose)	1 75
39706	4062	" (tight) (steel)	3 00
23499	4019	" " Counterbalance	20
28034	4020	" " " Rivet	01
40025	4004	" " Pin	01
23500	4017	Shuttle Bobbin	08
15140	4017	" " Case Latch	10
2973	4017	" " " Lever	10
2974	4017	" " " " Fulcrum Pin	Per 100 10
15141	—	Shuttle Bobbin Case Hinge, Nos. 2973, 2974 and 15140	25
2975	4017	Shuttle Bobbin Case Latch Spring	02
592E	4017	" " " " Stop Screw	02
23501	4017	Shuttle Bobbin Case Position Finger	05
2523	4017	" " " " Rivet	Per 100 25
23502	4017	Shuttle Bobbin Case complete, Nos. 591F, 592E, 2523, 2975, 15141, 23501 and 23680	75
23503	4017	Shuttle Body	75
591F	4017	" Tension Regulating Screw	02
23680	4017	" " Spring	10
23504	4017	" 1½ in. diam., Nos. 23500, 23502 and 23503	1 50
23505	4017	Shuttle Driver with 462c	75
2269	4017	" " Pin	01

Parts for Machine No. 71-23

No.	Plate	Name	Each
462c	4017	Shuttle Driver Set Screw	\$ 02
14049	4018	" Race Back	40
2532	4018	" " " Position Pin.. Per 100	10
2533	4018	" " " Spring	12
648D	4018	" " " Screw	07
*23506	—	" " Body	—
39904	—	" " " 23506 with 7326 and two 662D	1 35
7326	4018	Shuttle Race Cap	15
662D	4018	" " " Screw	02
23621	4018	Shuttle Race complete, Nos. 648D, 2533, 14049, 39904 and two 2532..	1 95
145F	4018	Shuttle Race Screw (2)	04
39685	4053	Starting Lever with two 39669	3 50
50012c	4063	" " Adjusting Screw	15
1520E	4012	" " " " Nut	03
21643	4020	" " Belt Shifter	75
159F	4020	" " " " Screw	03
23623	4062	" " Bracket	1 00
8582	4013	" " " Dowel Pin (2)..	02
123E	4020	" " " Screw	06
39686	4063	" " Cushion (rawhide)	03
402D	4007	" " " Screw (2)	02
39687	4062	" " Rod	75
61c	4020	" " " Hinge Screw	06
564c	4020	" " " Screw Center (2)	12
1508E	4020	" " " " Nut (2)..	06
39688	4063	" " Spring	10
50013F	4063	" " Stop Screw	10
1518E	4002	" " " " Nut	04
39628	4059	Stop Cam with 39629	1 50
39689	4062	" " Interlocking Rod	50
39690	4063	" " " " Guide with 1070c	1 00
1070c	4020	Stop Cam Interlocking Rod Guide Set Screw	08
21650	4021	Stop Cam Interlocking Rod Guide Washer (rawhide)	02
21651	4021	Stop Cam Interlocking Rod Spring	10
913c	4021	" " " " " " Regulating Thumb Screw	40
1638E	4021	Stop Cam Interlocking Rod Spring Regulating Thumb Screw Nut	12
39629	4059	Stop Cam Pin	15
23515	4021	" " Spring (long)	08
23516	4021	" " " (short)	05
23517	4019	" " " Cover with 23499, two each 9780 and 23034	25

No.	Plate	Name	Each
9780	4021	Stop Cam Spring Cover Position Pin	\$ 01
997E	4021	" " " " Screw (2)	05
39637	4021	" " " " Stop Block	30
1349C	4004	" " " " Screw	04
39638	4021	" " " " " Block	30
457C	4012	" " " " " Set	
		Screw	02
23518	4010	Stop Lever	75
78D	4004	" " Hinge Screw	06
9540	4021	" " Spring	02
2102	4022	Tension (side of arm) Disc (2)	05
1560C	4022	" " " " " Regulating	
		Thumb Nut	04
23519	4022	Tension (side of arm) Releaser	
		with 200F	30
200F	4022	Tension (side of arm) Releaser Set	
		Screw	03
23520	4022	Tension (side of arm) Releaser Shaft	10
23521	4022	" " " " " " "	
		Arm	40
23694	4022	Tension (side of arm) Releaser Shaft	
		Arm Connection	25
23695	4022	Tension (side of arm) Releaser Shaft	
		Arm Connection Bracket	25
191C	4022	Tension (side of arm) Releaser Shaft	
		Arm Connection Screw	03
39541	4040	Tension (side of arm) Releaser Shaft	
		Arm Connection Screw Washer	05
2269	4017	Tension (side of arm) Releaser Shaft	
		Arm Pin	01
413F	4022	Tension (side of arm) Screw Stud	10
8238	4052	" " " " Spring	05
23669	4022	" " " " Thread Guard	10
460C	4013	" " " " " "	
		Set Screw	02
32012	4052	Tension (top cover, back) Disc (2)	10
1560C	4022	" " " " " Regulating	
		Thumb Nut	04
39698	4069	Tension (top cover, back) Releaser	50
39699	4069	" " " " " "	
		Bracket (lower)	75
1159C	4069	Tension (top cover, back) Releaser	
		Bracket (lower) Position Screw	03
704C	4069	Tension (top cover, back) Releaser	
		Bracket (lower) Screw	04
39700	4069	Tension (top cover, back) Releaser	
		Bracket (upper) with 39701	50
193F	4003	Tension (top cover, back) Releaser	
		Bracket (upper) Screw (2)	03

No.	Plate	Name	Each
39701	4069	Tension (top cover, back) Releaser	
		Bracket (upper) Thread Guide	\$ 10
40043	4057	Tension (top cover, back) Releaser	
		Collar with 237F	15
237F	4056	Tension (top cover, back) Releaser	
		Collar Set Screw	02
39702	4069	Tension (top cover, back) Releaser	
		Lever with 914F and 1954	1 00
914F	4008	Tension (top cover, back) Releaser	
		Lever Clamping Screw	04
1954	4069	Tension (top cover, back) Releaser	
		Lever Roller and Stud	20
39703	4069	Tension (top cover, back) Releaser	
		Spring	10
39704	4069	Tension (top cover, back) Releaser	
		Spring Adjusting Collar with 237F	15
237F	4056	Tension (top cover, back) Releaser	
		Spring Adjusting Collar Set Screw	02
39705	4069	Tension (top cover, back) Releasing	
		Cam with two 453C	1 25
453C	4013	Tension (top cover, back) Releasing	
		Cam Set Screw	02
50021F	4069	Tension (top cover, back) Screw Stud	10
13710	4069	" " " " Spring	03
32012	4052	" (top cover, front) Disc (2)	10
1560C	4022	" " " " " Regulating	
		Thumb Nut	04
39641	4052	Tension (top cover, front) Releaser	10
1387C	4052	" " " " " "	
		Guide Screw Stud	08
1521E	4003	Tension (top cover, front) Releaser	
		Guide Screw Stud Nut	03
39632	4052	Tension (top cover, front) Releaser	
		Holder with 201F	1 25
999F	4003	Tension (top cover, front) Releaser	
		Holder Hinge Screw	05
201F	4052	Tension (top cover, front) Releaser	
		Set Screw	03
32572	4052	Tension (top cover, front) Releasing	
		Disc	05
39642	4052	Tension (top cover, front) Releasing	
		Lever	1 75
68D	4052	Tension (top cover, front) Releasing	
		Lever Hinge Screw	08
39635	4052	Tension (top cover, front) Releasing	
		Pin	05
1388F	4052	Tension (top cover, front) Screw Stud	10
2103	4022	" " " " Spring	03

No.	Plate	Name	Each
39636	4052	Tension (top cover, front) Thread Eyelet (double)	\$ 05
217F	4025	Tension (top cover, front) Thread Eyelet Screw	03
39711	4007	Thread Guiding Stud (side of arm) ..	05
460c	4013	" " " " Set Screw	02
23523	4023	" Take-up Crank	80
1036c	4023	" " " " Position Screw ..	03
1258c	4023	" " " " Set Screw	02
23524	4023	" " Lever	1 00
12166	4023	" " " " Hinge Pin	05
23543	4023	" " " " Link	40
11204	4023	" " " " Hinge Pin	15
435c	4058	" " " " " Set Screw	04
23525	—	Thread Take-up Lever complete, Nos. 12166, 23524 and 23543	1 45
4784	4013	Thread Take-up Lever Oil Pad	01
7335	4022	" " " " Spring	03
23526	4022	" " " " Regulator	25
446c	4025	" " " " " Set Screw	03

LIST OF PARTS COMPLETE

FOR

MACHINE No. 71-34

Makes Whip Stitch, Barred Ends, Knives from $\frac{3}{8}$ to $\frac{3}{4}$ in.
Long. Cuts Both Threads and the Hole.
Automatically After Stitching.

No.	Plate	Name	Each
*39602	—	Arm with 24081	\$ —
8582	4013	" Dowel Pin (2)	02
748E	4025	" Screw (back) (2)	08
868E	4025	" " (front) (2)	10
23352	4030	" Shaft	2 50
*24081	—	" " Bushing (front)	—
12357	4000	" " Flanged Bushing (back) ..	20
435c	4058	" " " " " "	—
		Set Screw	04
4784	4013	Arm Shaft Oil Pad	01
1069D	4025	" " Screw	12
12193	4000	" Side Cover	10
703D	4025	" " " Thumb Screw	10
23353	4001	" Top Cover	75
808F	4025	" " " Screw (3)	03
23562	4002	Barring Cam with two 858c	2 50
858c	4002	" " Set Screw	03
39844	4074	" Indicator	35
1228c	4003	" " Stud	08
1589c	4003	" " " Thumb Nut	06
23563	4002	" Lever	2 50
23564	4002	" " Catch with 1226c	1 25
1276c	4002	" " " Hinge Screw	12
1226c	4002	" " " Position Stud	04
23565	4002	" " " Spring	10
805c	4002	" " " " Screw	04
8905	4002	" " " " " Washer	01
39616	4004	" " " " Stud	25
39617	4004	" " " " Rivet (long)	01
39618	4004	" " " " " (short)	01
1227c	4002	" " Hinge Screw	10
1655E	4002	" " " Nut	04
23566	4002	" " Spring	10
124F	4002	" " Stop Screw	08

No.	Plate	Name	Each
1518E	4002	Barring Lever Stop Screw Nut	\$.04
23361	4003	" Ratchet Pawl	1 25
1248C	4003	" " Hinge Screw	.08
23362	4003	" " Spring	.05
93H	4003	" " Screw	.04
15072	4003	" " Stop Pin	
	 Per 100	10
23544	4003	Barring Ratchet Retaining Pawl (hinge screw end)	40
23545	4003	Barring Ratchet Retaining Pawl (wheel end)	50
203C	4003	Barring Ratchet Retaining Pawl Adjusting Screw	.03
23546	—	Barring Ratchet Retaining Pawl (adjustable) complete, Nos. 203C, 23544 and 23545	.90
999C	4003	Barring Ratchet Retaining Pawl Hinge Screw	.05
23364	4003	Barring Ratchet Retaining Pawl Spring	.05
240D	4003	Barring Ratchet Retaining Pawl Spring Screw	.02
23664	4003	Barring Ratchet Wheel	1 50
23665	4003	" " Spring	.05
1286C	4003	" " Screw	.06
23666	4003	" " Washer	.01
23367	4003	" " Tripping Point	.70
193F	4003	" " Screw	.03
7071	4003	Barring Ratchet Wheel Tripping Point Screw Washer	.01
23369	4001	Barring Stop Arm	.25
23370	4003	" Tripping Lever	.30
856C	4003	" " Hinge Screw	.05
*39603	—	Bed	—
39538	4032	" Oil Guard	.75
1235F	4009	" " Screw (2)	.04
23567	4006	Clamp Arm	2 00
625F	4009	" " Adjusting Screw (2)	.05
1547D	4009	" " Nut (2)	.03
39584	4034	" " Bracket with 196F	1 00
40003	4041	" " Guide (left)	.20
217F	4025	" " Screw	
		(2)	.03
40004	4041	Clamp Arm Bracket Guide (right)	.20
217F	4025	" " Screw (2)	.03
191C	4022	Clamp Arm Bracket Screw (3)	.03

No.	Plate	Name	Each
39541	4040	Clamp Arm Bracket Screw Washer (3)	\$.05
23379	4007	Clamp Arm Hinge Block	1 00
23380	4007	" " " " Pin	.05
196F	4007	" " " " " Set Screw	.02
1231F	4007	Clamp Arm Screw (3)	.02
40005	4051	" Carrier	3 00
40006	4004	" " Block with 40007 and four 404D	.75
40007	4004	Clamp Carrier Block Plate	.20
404D	4004	" " " " Screw	.02
23384	4007	" " Connection Rod	.50
52C	4007	" " " " Hinge Screw	.10
39591	4004	Clamp Carrier Guide (left)	.25
756D	4004	" " " " Screw (long)	.02
1345D	4059	" " " " (short)	.04
39645	4059	" " " (right)	.25
1230F	4007	" " " " Screw (2)	.03
39604	4055	" " Plate	2 00
1231F	4007	" " " " Screw (back) (2)	.02
404D	4004	" " " " (front) (2)	.02
40010	4035	" " Regulator with 240D, 1960 and 39583	2 50
1232C	4007	Clamp Carrier Regulator Hinge Screw	.12
1960	4007	" " " " Roller and Screw Stud with 1520E	.35
1520E	4012	Clamp Carrier Regulator Roller and Screw Stud Nut	.03
39544	4012	Clamp Carrier Regulator Slide	.30
1347C	4009	" " " " Stud (to regulate length of buttonhole)	.10
1671C	4009	Clamp Carrier Regulator Stud Nut	.08
39532	4009	" " " " Sleeve	.10
39583	4004	" " " " Stop	.10
240D	4003	" " " " " Screw	.02
39605	4051	Clamp Carrier Slide with 1345D, 39591 and two 756D	4 35
23392	4008	Clamp Carrier Slide Guide (left)	.40
914F	4008	" " " " " Screw (2)	.04
23393	4008	Clamp Carrier Slide Guide (right)	.40
914F	4008	" " " " " Screw (2)	.04
23394	4005	Clamp Carrier Slide Lever with 1960	2 50
23395	4005	" " " " Regulator	2 50

No.	Plate	Name	Each
23396	4008	Clamp Carrier Slide Lever Regulator Cap	\$ 20
223D	4008	Clamp Carrier Slide Lever Regulator Cap Screw (4)	02
67D	4008	Clamp Carrier Slide Lever Regulator Screw	12
1960	4007	Clamp Carrier Slide Lever Roller and Screw Stud with 1520E	35
1520E	4012	Clamp Carrier Slide Lever Roller and Screw Stud Nut	03
7278	4008	Clamp Carrier Slide Lever Socket Joint	25
1234C	4008	Clamp Carrier Slide Regulating Stud	20
23397	4008	" " " " " "	
		Bushing	20
1658C	4008	Clamp Carrier Slide Regulating Stud Thumb Nut	15
1256D	4008	Clamp Carrier Slide Screw (2)	08
39606	4056	" Check with 39607, two each 237F and 1348c, for $\frac{3}{8}$ to $\frac{1}{2}$ in. buttonholes	3 50
39693	—	Clamp Check complete, for $\frac{3}{8}$ to $\frac{1}{2}$ in. buttonholes, Nos. 219F, 2269, 39606, 39609 and 40048 to 40050..	4 50
1297F	4045	Clamp Check Screw (2)	04
39607	4056	" " Section and Cutting Plate	1 25
237F	4056	Clamp Check Section and Cutting Plate Screw	02
1348C	4056	Clamp Check Section and Cutting Plate Support Stud	02
40014	4054	Clamp Lifting Arm	50
40015	4059	" " " Connection	1 00
41C	4059	" " " " " Hinge Screw	10
1520E	4012	Clamp Lifting Arm Connection Hinge Screw Nut	03
1901	4059	Clamp Lifting Arm Connection Roller and Screw Stud with 229D and 12424	35
40016	4059	Clamp Lifting Arm Connection Roller and Screw Stud Bracket	40
157F	4015	Clamp Lifting Arm Connection Roller and Screw Stud Bracket Screw ..	04
39541	4040	Clamp Lifting Arm Connection Roller and Screw Stud Bracket Screw Washer	05
229D	4014	Clamp Lifting Arm Connection Roller Cap Screw	02

No.	Plate	Name	Each
12424	4014	Clamp Lifting Arm Connection Roller Cap Screw Washer	\$ 02
199D	4059	Clamp Lifting Arm Screw (2)	04
40017	4059	" " " Stop	75
40018	4060	" " " " Bracket ..	75
162D	4025	" " " " " Screw (2)	04
1248C	4003	Clamp Lifting Arm Stop Hinge Screw	08
1611E	4059	" " " " " " Nut	03
40019	4054	Clamp Lifting Arm Stop Pitman ..	50
59D	4060	" " " " " " Hinge Screw (2)	07
40020	4055	Clamp Plate	1 25
1235F	4009	" " Screw (4)	04
23573	4005	" " Support	25
402D	4007	" " " Screw (2)	02
23574	4009	" Post	75
1659C	4009	" Pressure Regulating Thumb Nut	10
23404	4009	" Spring	15
23693	4009	" " Bushing	1 00
1294C	4009	" " " Position Stud ..	03
1550H	4009	" " " " " Nut	03
24028	4000	Crank Connecting Rod with 24085 and two 896E	1 35
*24085	—	Crank Connecting Rod Cap	—
896E	4025	" " " " " Screw ..	04
908C	4025	" " " " " Hinge Screw..	12
1619E	4025	" " " " " Nut	05
23406	4000	Face Plate	1 25
217F	4025	" " Screw (2)	03
23407	4001	Feed Connecting Rod (lower)	2 50
375C	4025	" " " " " Hinge Screw	12
1518E	4002	Feed Connecting Rod (lower) Hinge Screw Nut	04
23408	4001	Feed Connecting Rod (upper) with 12204 and two 966E	1 50
*12204	—	Feed Connecting Rod (upper) Cap	—
966E	4025	" " " " " " Screw	04
23409	4001	Feed Disengaging Lever	1 25
1275C	4003	" " " " " Hinge Screw	10
1521E	4003	" " " " " " Nut	03
23557	4001	Feed Disengaging Lever Spring ..	10
23412	4013	" Eccentric with 448C	2 50
448C	4015	" " Set Screw	03

No.	Plate	Name	Each
23413	4000	Feed Hand Ratchet Lever with 214D and 1049c	\$ 75
23414	4013	Feed Hand Ratchet Lever Collar with two 453c	50
453c	4015	Feed Hand Ratchet Lever Collar Set Screw	02
39567	—	Feed Hand Ratchet Lever Pawl Body with 214D	50
39522	4000	Feed Hand Ratchet Lever Pawl complete, Nos. 207c, 39523, 39567 and two 1049c	75
90D	4013	Feed Hand Ratchet Lever Pawl Hinge Screw	05
39523	4012	Feed Hand Ratchet Lever Pawl Point	25
1049c	4013	" " " " " " Position Screw	02
207c	4012	Feed Hand Ratchet Lever Pawl Point Screw	02
13218	4013	Feed Hand Ratchet Lever Pawl Spring	05
214D	4013	Feed Hand Ratchet Lever Pawl Spring Screw	03
1049c	4013	Feed Hand Ratchet Lever Pawl Stop Screw	02
23416	4013	Feed Hand Ratchet Wheel with 460c	1 25
3012	4013	" " " " Pin	01
460c	4013	" " " " Set Screw	02
23418	4000	" Rock Shaft	1 50
23419	—	Feed Rock Shaft complete, Nos. 23418 and 23420	2 10
23420	4000	Feed Rock Shaft Hinge Pin with 23421	60
23421	4021	Feed Rock Shaft Hinge Pin Plug (leather) Per 100	50
448c	4015	Feed Rock Shaft Hinge Pin Set Screw	03
23422	4013	" " " Spring	15
39590	4004	" " " " Plate	02
181D	4013	" " " " Screw	04
23698	4035	" Wheel with 23432 and two 220D, for wide bight and wide cutting space, for overall work, etc.	6 00
150c	4012	Feed Wheel Cap Screw	10
23424	4010	" " Driving Lever	3 00
39597	4045	" " " " Block with 602D and 39598 (2)	80
769c	4045	Feed Wheel Driving Lever Block Adjusting Screw	06

No.	Plate	Name	Each
39594	4045	Feed Wheel Driving Lever Block Adjusting Screw Bracket with 769c, 898c and 39504 (2)	\$ 60
185H	4045	Feed Wheel Driving Lever Block Adjusting Screw Bracket Screw (4)	02
898c	4045	Feed Wheel Driving Lever Block Adjusting Screw Clamping Screw	04
39504	4064	Feed Wheel Driving Lever Block Adjusting Screw Clamping Screw Washer	01
39598	4045	Feed Wheel Driving Lever Block Lock Spring	03
602D	4045	Feed Wheel Driving Lever Block Lock Spring Screw	02
23428	4012	Feed Wheel Driving Lever Pitman with 23429, 50088c and two 196F	1 65
50088c	4072	Feed Wheel Driving Lever Pitman Ball Joint Screw	15
*23429	—	Feed Wheel Driving Lever Pitman Cap	—
196F	4007	Feed Wheel Driving Lever Pitman Cap Screw	02
23427	4010	Feed Wheel Driving Lever Plate	25
404D	4007	" " " " " " Screw (2)	02
1236c	4012	Feed Wheel Driving Lever Regulating Stud	12
7070	4007	Feed Wheel Driving Lever Regulating Stud Sleeve	10
1658A	4008	Feed Wheel Driving Lever Regulating Stud Thumb Nut	15
1237c	4012	Feed Wheel Friction Ring Screw	10
1520E	4012	" " " " " " Nut	03
14017	4012	Feed Wheel Friction Ring Screw Washer	05
23552	4010	Feed Wheel Friction Ring Section (long)	45
23553	4010	Feed Wheel Friction Ring Section (short)	45
23554	4012	Feed Wheel Friction Ring Spring	10
23555	—	Feed Wheel Friction Ring complete, Nos. 23552 to 23554	1 00
2117	4012	Feed Wheel Pin	01
2254	4045	" " Retaining Clutch	20
39595	4045	" " " " Cap	10
898c	4045	" " " " " Screw	04
39504	4064	" " " " " " Washer	01

No.	Plate	Name	Each
2256	4045	Feed Wheel Retaining Clutch Spring	\$ 03
233D	4007	" " " " " "	
		Screw	02
721D	4045	Feed Wheel Retaining Clutch Spring	
		Stop Screw	06
39596	4045	Feed Wheel Retaining Clutch Stud	25
23431	4010	" " Shaft	1 50
457C	4012	" " " Oil Hole Plug Screw	02
23433	4010	" " Tripping Lever	2 00
1257C	4012	" " " " Hinge	
		Screw	15
23587	4012	Feed Wheel Tripping Lever Point	25
203C	4003	" " " " " "	
		Screw (2)	03
23435	4013	Feed Wheel Tripping Lever Spring	10
190D	4013	" " " " " "	
		Screw	03
179E	4004	Feed Wheel Tripping Lever Stop	
		Screw	03
23432	4012	Feed Wheel Tripping Point	40
220D	4012	" " " " Screw ..	02
23445	—	Knife, $\frac{3}{8}$ inch	20
23446	—	" $\frac{1}{2}$ inch	20
23447	—	" $\frac{1}{2}$ inch	20
23448	—	" $\frac{3}{4}$ inch	20
23449	—	" $\frac{5}{8}$ inch	20
23450	—	" $\frac{1}{2}$ inch	20
23451	4014	" $\frac{3}{4}$ inch	20
23460	4010	" Bar	80
23461	4015	" " Connecting Link	1 00
1239F	4015	" " " " Hinge Cap	
		Screw	04
1240C	4015	Knife Bar Connecting Link Hinge	
		Screw	05
23462	4015	Knife Bar Connecting Stud with 1319F	60
1319F	4015	" " " " Clamping	
		Screw	04
23463	4015	Knife Bar Disengaging Lever	40
23464	4015	" " " " Catch	
		with 1963	60
23465	4015	Knife Bar Disengaging Lever Catch	
		Bracket	1 00
157D	4015	Knife Bar Disengaging Lever Catch	
		Bracket Screw (2)	04
90C	4013	Knife Bar Disengaging Lever Catch	
		Hinge Screw	05
1963	4015	Knife Bar Disengaging Lever Catch	
		Roller and Stud	20

No.	Plate	Name	Each
23468	4015	Knife Bar Disengaging Lever Catch	
		Spring	\$ 05
1241E	4015	Knife Bar Disengaging Lever Catch	
		Spring Screw Stud (2)	05
23466	4015	Knife Bar Disengaging Lever Catch	
		Tripping Point	30
23467	4015	Knife Bar Disengaging Lever Catch	
		Tripping Point Collar with two	
		448c	40
448C	4015	Knife Bar Disengaging Lever Catch	
		Tripping Point Collar Set Screw	03
175D	4015	Knife Bar Disengaging Lever Catch	
		Tripping Point Screw	02
90C	4013	Knife Bar Disengaging Lever Catch	
		Screw	05
23606	4015	Knife Bar Disengaging Lever Spring	10
1242E	4015	" " " " " "	
		Screw (2)	05
240D	4003	Knife Bar Disengaging Lever Stop	
		Screw	02
23469	4010	Knife Bar Driving Lever	1 25
1290C	4014	" " " " Hinge Screw	30
1428C	4014	" " " " Screw Stud	06
1520E	4012	" " " " " "	
		Nut	03
23681	4014	Knife Bar Driving Lever Spring	15
805C	4002	" " " " " Screw	04
23470	4010	" " " " (intermedi-	
		ate)	2 00
23471	4014	Knife Bar Driving Lever (intermedi-	
		ate) Connecting Link	1 00
54C	4014	Knife Bar Driving Lever (intermedi-	
		ate) Connecting Link Hinge	
		Screw	10
1222C	4014	Knife Bar Driving Lever (intermedi-	
		ate) Hinge Screw	15
1959	4014	Knife Bar Driving Lever (intermedi-	
		ate) Roller and Screw Stud with	
		229D and 12424	35
229D	4014	Knife Bar Driving Lever (intermedi-	
		ate) Roller Cap Screw	02
12424	4015	Knife Bar Driving Lever (intermedi-	
		ate) Roller Cap Screw Washer..	02
23682	4014	Knife Bar Spring	05
39566	4014	" " Stop	1 15
39565	—	Knife Bar Stop complete, Nos. 1673C,	
		23548 and 39566	1 40
1673C	4014	Knife Bar Stop Lock Nut	20
23548	4014	" " " Plug (fibre)	02

No.	Plate	Name	Each
23473	4014	Knife Holder	\$2 50
1243c	4014	“ “ Guide Stud	08
1608c	4014	“ “ “ Nut	05
157c	4015	“ “ Screw	04
1547c	4009	“ “ “ Nut	03
191c	4022	“ Screw	03
23390	4014	“ “ Washer	10
39600	4048	Needle Bar with 904F	80
23476	4016	“ “ Connecting Link with 794E	50
794E	4016	Needle Bar Connecting Link Adjust- ing Screw	05
1021E	4016	Needle Bar Connecting Link Cap Screw	06
39601	4004	Needle Bar Connecting Stud with 1341c	25
1341c	4004	Needle Bar Connecting Stud Set Screw	04
23477	4010	Needle Bar Crank with 858c, 1036c, 1065c and 1258c	80
1065c	4025	Needle Bar Crank Position Screw ..	10
858c	4002	“ “ “ Set Screw	03
23478	4006	“ “ Frame with 4784	2 00
23558	4001	“ “ Bell Crank with 1956	3 00
1956	4016	Needle Bar Frame Bell Crank Roller and Screw Stud with 229D, 1655E and 23389	35
1655E	4002	Needle Bar Frame Bell Crank Roller and Screw Stud Nut	04
229D	4014	Needle Bar Frame Bell Crank Roller Cap Screw	02
23389	4016	Needle Bar Frame Bell Crank Roller Cap Screw Washer	02
23667	4016	Needle Bar Frame Bell Crank Stud	75
23481	4001	“ “ “ Cam and Bevel Gear	4 00
1244c	4016	Needle Bar Frame Cam and Bevel Gear Screw	20
39622	4048	Needle Bar Frame Connection with 1963 and 39616 to 39618	2 00
78c	4004	Needle Bar Frame Connection Hinge Screw	06
1963	4015	Needle Bar Frame Connection Roller and Stud	20
23483	4004	Needle Bar Frame Connection Spring	10
23484	4004	“ “ “ “ “ Hook	15

No.	Plate	Name	Each
1226E	4002	Needle Bar Frame Connection Spring Screw Stud	\$ 04
23485	4004	Needle Bar Frame Connection Stud	05
196F	4007	“ “ “ “ “ Set Screw	02
23486	4016	Needle Bar Frame Driving Bevel Pin- ion with two 453c	1 00
453c	4013	Needle Bar Frame Driving Bevel Pin- ion Set Screw	02
23610	—	Needle Bar Frame Pitman (hinge screw end)	65
23609	—	Needle Bar Frame Pitman (regulator end)	40
190c	4013	Needle Bar Frame Pitman Adjusting Screw	03
7071	4003	Needle Bar Frame Pitman Adjusting Screw Washer	01
23611	4016	Needle Bar Frame Pitman (adjust- able) complete, Nos. 23609, 23610, two each 190c and 7071	1 15
1042F	4016	Needle Bar Frame Pitman Hinge Screw	06
1547D	4009	Needle Bar Frame Pitman Hinge Screw Nut	03
23491	4004	Needle Bar Frame Regulator	1 50
39900	—	“ “ “ “ 23491 with 1245c	1 60
1038c	4004	Needle Bar Frame Regulator Adjust- ing Screw	10
7070	4007	Needle Bar Frame Regulator Adjust- ing Screw Sleeve	10
1589c	4003	Needle Bar Frame Regulator Adjust- ing Screw Thumb Nut	06
1245c	4004	Needle Bar Frame Regulator Hinge Screw	12
673F	4016	Needle Bar Frame Screw Center ..	08
1517E	4016	“ “ “ “ “ Nut	04
39608	4060	“ Plate	1 00
404D	4007	“ “ Screw (2)	02
904F	4004	“ Set Screw	02
39653	4048	Oscillating Rock Shaft	1 00
39654	—	Oscillating Rock Shaft complete, Nos. 4784, 23494 and 39653	1 50
23494	4006	Oscillating Rock Shaft Hinge Pin with 23421	50
23421	4013	Oscillating Rock Shaft Hinge Pin Plug (leather)	Per 100 50
448c	4015	Oscillating Rock Shaft Hinge Pin Set Screw	03

No.	Plate	Name	Each
4784	4013	Oscillating Rock Shaft Oil Pad	\$ 01
39655	4051	" Shaft	50
39656	4023	" " Bushing (back)	40
24047	4013	" " " (front)	40
39657	—	" " Crank	50
39658	4023	Oscillating Shaft Crank complete, Nos. 1636E, 24050, 39657 and two 1253c	1 05
1253c	4023	Oscillating Shaft Crank Set Screw	03
19448	4017	" " " Slide Block	35
229D	4014	" " " " " "	
		Cap Screw	02
12424	4014	Oscillating Shaft Crank Slide Block	
		Cap Screw Washer	02
1035c	4017	Oscillating Shaft Crank Slide Block	
		Screw Stud	15
1636E	4017	Oscillating Shaft Crank Slide Block	
		Screw Stud Nut	03
24050	4017	Oscillating Shaft Crank Slide Block complete, Nos. 229D, 1035c, 12424 and 19448	50
23497	4019	Pulley (loose)	1 75
40024	4035	" (tight)	2 50
23499	4019	" " Counterbalance	20
28034	4020	" " Rivet	01
40025	4004	" " Pin	01
23500	4017	Shuttle Bobbin	08
15140	4017	" " Case Latch	10
2973	4017	" " " " Lever	10
2974	4017	" " " " Fulcrum Pin	Per 100 10
15141	—	Shuttle Bobbin Case Hinge, Nos. 2973, 2974 and 15140	25
2975	4017	Shuttle Bobbin Case Latch Spring	02
592E	4017	" " " " Stop Screw	02
40026	4065	" " " " Position Finger	05
2523	4017	" " " " Rivet	Per 100 25
40027	4065	Shuttle Bobbin Case complete, Nos. 591F, 592E, 2523, 2975, 15141, 23680 and 40026	75
40028	4065	Shuttle Body	75
591F	4017	" Tension Regulating Screw	02
23680	4017	" " Spring	10
40029	4065	" 1 1/8 in. diam., Nos. 23500, 40027 and 40028	1 50
23505	4017	Shuttle Driver with 462c	75
2269	4017	" " Pin	01
462c	4017	" " Set Screw	02

No.	Plate	Name	Each
14049	4018	Shuttle Race Back	\$ 40
2532	4018	" " " Position Pin	Per 100 10
2533	4018	" " " Spring	12
648D	4018	" " " " Screw	07
23506	—	" " " Body	—
39904	—	" " " 23506 with 7326 and two 662D	1 35
7326	4018	Shuttle Race Cap	15
662D	4018	" " " Screw	02
23621	4018	Shuttle Race complete, Nos. 648D, 2533, 14049, 39904 and two 2532	1 95
145F	4018	Shuttle Race Screw (2)	04
39627	4053	Starting Lever	3 50
717C	4020	" " Adjusting Screw	08
1520E	4012	" " " " Nut	03
21643	4020	" " Belt Shifter	75
159F	4020	" " " " Screw	03
23510	4019	" " Bracket	1 00
8582	4013	" " Dowel Pin (2)	02
123E	4020	" " Screw	06
23511	4019	" " Rod	75
61C	4020	" " " Hinge Screw	06
564C	4020	" " Screw Center (2)	12
1508E	4020	" " " " Nut (2)	06
14174	4020	" " Spring	08
124F	4002	" " Stop Screw	08
1518E	4002	" " " " Nut	04
39628	4059	Stop Cam with 39629	1 50
39580	4019	" " Interlocking Rod	50
23514	4020	" " " " Guide with 1070c and 1959	1 50
1070c	4020	Stop Cam Interlocking Rod Guide Set	
		Screw	08
21650	4021	Stop Cam Interlocking Rod Guide	
		Washer (rawhide)	02
21651	4021	Stop Cam Interlocking Rod Spring	10
913c	4021	" " " " Regulating Thumb Screw	40
1638E	4021	Stop Cam Interlocking Rod Spring	
		Regulating Thumb Screw Nut	12
39629	4059	Stop Cam Pin	15
23515	4021	" " Spring (long)	08
23516	4021	" " " (short)	05
23517	4019	" " " Cover with 23499, two each 9780 and 28034	25
9780	4021	Stop Cam Spring Cover Position Pin	01
997E	4021	" " " " Screw (2)	05
39637	4021	" " " Stop Block	30
1349c	4004	" " " " Screw	04

No.	Plate	Name	Each
39638	4021	Stop Cam Spring Stop Screw Block ..	\$ 30
457c	4012	" " " " " Set Screw	02
23518	4010	" " Lever	75
78D	4004	" " Hinge Screw	06
9540	4021	" " Spring	02
2102	4022	Tension Disc (2)	05
1560c	4022	" Regulating Thumb Nut	04
23519	4022	" Releaser with 200F	30
40033	4054	" " Arm with 641c	1 25
12538	4060	" " " Pin	01
641c	4060	" " " Set Screw	03
200F	4022	" " " Set Screw	03
23520	4022	" " Shaft	10
40034	4060	" " " Crank	75
679c	4060	" " " Ball Screw	
		Stud	12
1520E	4012	Tension Releaser Shaft Crank Ball	
		Screw Stud Nut	03
2269	4017	Tension Releaser Shaft Crank Pin ..	01
413F	4022	" Screw Stud	10
2103	4022	" Spring	03
23669	4022	" Thread Guard	10
460c	4013	" " " Set Screw	02
40035	4058	Thread (lower) Cutting Blade	30
40036	4058	" " " " Carrier	
		with 40038	1 25
40037	4054	Thread (lower) Cutting Blade Carrier	
		Lever	2 00
32c	4025	Thread (lower) Cutting Blade Carrier	
		Lever Hinge Screw	10
39736	4058	Thread (lower) Cutting Blade Carrier	
		Lever Spring	05
1241E	4015	Thread (lower) Cutting Blade Carrier	
		Lever Spring Screw Stud (2)	05
435c	4058	Thread (lower) Cutting Blade Carrier	
		Lever Stop Screw	04
1520E	4012	Thread (lower) Cutting Blade Carrier	
		Lever Stop Screw Nut	03
40038	4058	Thread (lower) Cutting Blade Carrier	
		Stud	15
39646	4058	Thread (lower) Cutting Blade Friction	
		Plate	25
228F	4058	Thread (lower) Cutting Blade Friction	
		Plate Screw (2)	02
240D	4003	Thread (lower) Cutting Blade Screw	
		(2)	02
40040	4054	Thread (lower) Cutting Lever	1 00
1351c	4060	" " " " " Ball	
		Screw	10

No.	Plate	Name	Each
1520E	4012	Thread (lower) Cutting Lever Ball	
		Screw-Nut	\$ 03
39921	—	Thread (lower) Cutting Lever Extension	
		30
966D	4025	Thread (lower) Cutting Lever Extension	
		Screw	04
1671c	4009	Thread (lower) Cutting Lever Extension	
		Screw Nut	08
40039	4060	Thread (lower) Pull-off Finger	1 00
106c	4057	" " " " Guide	
		Screw	04
1350c	4060	Thread (lower) Pull-off Finger Hinge	
		Screw	05
40048	4056	Thread (upper) Clamping Blade	20
39609	4056	" " Cutting Blade	20
39610	4057	" " " " Connect-	
		ing Rod	30
40043	4057	Thread (upper) Cutting Blade Con-	
		necting Rod Collar (back) with	
		237F	15
237F	4056	Thread (upper) Cutting Blade Con-	
		necting Rod Collar (back) Set	
		Screw	02
40044	4057	Thread (upper) Cutting Blade Con-	
		necting Rod Collar (front) with	
		237F	15
2273	4057	Thread (upper) Cutting Blade Con-	
		necting Rod Collar (front) Pin..	
		01
237F	4056	Thread (upper) Cutting Blade Con-	
		necting Rod Collar (front) Set	
		Screw	02
40045	4057	Thread (upper) Cutting Blade Con-	
		necting Rod Collar (front) Washer	
		(rawhide) (2)	01
106c	4057	Thread (upper) Cutting Blade Con-	
		necting Rod Hinge Screw	04
23606	4015	Thread (upper) Cutting Blade Con-	
		necting Rod Spring	10
39611	4057	Thread (upper) Cutting Blade Con-	
		necting Rod Spring Bracket	50
203F	4003	Thread (upper) Cutting Blade Con-	
		necting Rod Spring Bracket Screw	
		(2)	03
7071	4003	Thread (upper) Cutting Blade Con-	
		necting Rod Spring Bracket Screw	
		Washer (2)	01
40047	4057	Thread (upper) Cutting Blade Con-	
		necting Rod Spring Collar with	
		646F	15

No.	Plate	Name	Each
646F	4057	Thread (upper) Cutting Blade Connecting Rod Spring Collar Set Screw	\$ 02
21699	4056	Thread (upper) Cutting Blade Position Pin	Per 100 10
219F	4008	Thread (upper) Cutting Blade Screw	02
40049	4056	" " " " Shaft with 21699	25
40050	4056	Thread (upper) Cutting Blade Shaft Crank with 906c	30
2269	4017	Thread (upper) Cutting Blade Shaft Crank Pin	01
906c	4056	Thread (upper) Cutting Blade Shaft Crank Set Screw	02
40051	4054	Thread (upper) Cutting Lever with 641c	1 00
40052	4057	Thread (upper) Cutting Lever Lock Pin	10
1352c	4057	Thread (upper) Cutting Lever Lock Pin Screw Bushing	06
40053	4057	Thread (upper) Cutting Lever Lock Pin Spring	02
2117	4012	Thread (upper) Cutting Lever Pin ..	01
641c	4060	" " " " Set Screw	03
40054	4054	Thread (upper) Cutting Lever Shaft	75
40067	4054	" " " " " Bracket	1 25
966D	4025	Thread (upper) Cutting Lever Shaft Bracket Screw (4)	04
39612	4057	Thread (upper) Cutting Lever Shaft Crank with two each 200F and 40059	1 00
40057	4057	Thread (upper) Cutting Lever Shaft Crank Latch	50
766D	4057	Thread (upper) Cutting Lever Shaft Crank Latch Hinge Screw	05
40058	4057	Thread (upper) Cutting Lever Shaft Crank Latch Spring	05
206F	4057	Thread (upper) Cutting Lever Shaft Crank Latch Spring Screw, for 39612	02
1144F	4057	Thread (upper) Cutting Lever Shaft Crank Latch Spring Screw, for 40057	04
40059	4057	Thread (upper) Cutting Lever Shaft Crank Latch Stop Pin...Per 100	10
200F	4022	Thread (upper) Cutting Lever Shaft Crank Set Screw	03

No.	Plate	Name	Each
40060	4052	Thread (upper) Cutting Lever Spring \$	10
1241c	4015	" " " " " Screw Stud (2)	05
717c	4020	Thread (upper) Cutting Lever Stop Screw	08
1520c	4012	Thread (upper) Cutting Lever Stop Screw Nut	03
12400	4022	Thread Retainer Sleeve	05
12401	4022	" " Spring	01
12402	4022	" " Stud	07
460c	4013	" " " Set Screw	02
12399	—	Thread Retainer complete, Nos. 12400 to 12402	15
23523	4023	Thread Take-up Crank	80
1036c	4023	" " " Position Screw	03
1258c	4023	" " " Set Screw	02
23524	4023	" " " Lever	1 00
12166	4023	" " " Hinge Pin	05
23543	4023	" " " Link	40
11204	4023	" " " " Hinge Pin	15
435c	4058	" " " " " Set Screw	04
23525	—	Thread Take-up Lever complete, Nos. 12166, 23524 and 23543	1 45
4784	4013	Thread Take-up Lever Oil Pad	01
7335	4022	" " Spring	03
23526	4022	" " " Regulator	25
446c	4025	" " " " Set Screw	03

LIST OF PARTS COMPLETE

FOR

MACHINE No. 71-35

Makes Whip Stitch, Barred Ends, Knives from $\frac{3}{8}$ to $1\frac{1}{2}$ in.
Long. Cuts Both Threads and the Hole
Automatically After Stitching.

No.	Plate	Name	Each
*39602	—	Arm with 24081	\$ —
8582	4013	" Dowel Pin (2)	02
748E	4025	" Screw (back) (2)	08
868E	4025	" " (front) (2)	10
23352	4030	" Shaft	2 50
*24081	—	" " Bushing (front)	—
12357	4000	" " Flanged Bushing (back)	20
446C	4025	" " " " Set Screw	03
4784	4013	Arm Shaft Oil Pad	01
1069D	4025	" " Screw	12
12193	4000	" Side Cover	10
703D	4025	" " " Thumb Screw	10
23353	4001	" Top Cover	75
808F	4025	" " " Screw (3)	03
23562	4002	Barring Cam with two 858c	2 50
858C	4002	" " Set Screw	03
39844	4074	" Indicator	35
1228C	4003	" " Stud	08
1589C	4003	" " " Thumb Nut	06
23563	4002	" Lever	2 50
23564	4002	" " Catch with 1226c	1 25
1276C	4002	" " " Hinge Screw	12
1226C	4002	" " " Position Stud	04
23565	4002	" " " Spring	10
805C	4002	" " " " Screw	04
8905	4002	" " " " Washer	01
39616	4004	" " " Stud	25
39617	4004	" " " Rivet (long)	01
39618	4004	" " " " (short)	01
1227C	4002	" " Hinge Screw	10
1655E	4002	" " " Nut	04
23566	4002	" " Spring	10
124F	4002	" " Stop Screw	08

No.	Plate	Name	Each
1518E	4002	Barring Lever Stop Screw Nut	\$ 04
23361	4003	" Ratchet Pawl	1 25
1248C	4003	" " " Hinge Screw	08
23362	4003	" " " Spring	05
93H	4003	" " " " Screw	04
15072	4003	" " " " Stop Pin	10
		Per 100	10
23544	4003	Barring Ratchet Retaining Pawl (hinge screw end)	40
23545	4003	Barring Ratchet Retaining Pawl (wheel end)	50
203C	4003	Barring Ratchet Retaining Pawl Ad- justing Screw	03
23546	—	Barring Ratchet Retaining Pawl (ad- justable) complete, Nos. 203c, 23544 and 23545	90
999C	4003	Barring Ratchet Retaining Pawl Hinge Screw	05
23364	4003	Barring Ratchet Retaining Pawl Spring	05
240D	4003	Barring Ratchet Retaining Pawl Spring Screw	02
23664	4003	Barring Ratchet Wheel	1 50
23665	4003	" " " Spring	05
1286C	4003	" " " " Screw	06
23666	4003	" " " " Washer	01
23367	4003	" " " Tripping Point	70
193F	4003	Barring Ratchet Wheel Tripping Point Screw	03
7071	4003	Barring Ratchet Wheel Tripping Point Screw Washer	01
23369	4001	Barring Stop Arm	25
23370	4003	" Tripping Lever	80
856C	4003	" " " Hinge Screw	05
*39718	—	Bed	—
39538	4032	" Oil Guard	75
1235E	4009	" " " Screw (2)	04
39539	4039	Clamp Arm	2 00
625F	4009	" " Adjusting Screw (2)	05
1547D	4009	" " " " Nut (2)	03
39540	4039	" " Bracket with 196F	1 00
40002	4041	" " " Guide (left)	20
217E	4025	" " " " Screw (2)	03
40004	4041	Clamp Arm Bracket (right)	20
217F	4025	" " " " Screw (2)	03
191C	4022	" " " " Screw (3)	03
39541	4040	" " " " Washer (3)	05

No.	Plate	Name	Each
23379	4007	Clamp Arm Hinge Block	\$1 00
23380	4007	" " " " Pin	05
196F	4007	" " " " " Set	
		Screw	02
402D	4007	Clamp Arm Screw	02
39719	4078	" Carrier	3 00
40006	4004	" " Block with 40007 and	
		four 404D	75
40007	4004	Clamp Carrier Block Plate	20
404D	4007	" " " " Screw	02
23384	4007	" " Connecting Rod	50
52c	4007	" " " " Hinge	
		Screw	10
39591	4004	Clamp Carrier Guide (left)	25
756D	4004	" " " " Screw	
		(long)	02
1345D	4059	Clamp Carrier Guide (left) Screw	
		(short)	04
39645	4059	Clamp Carrier Guide (right)	25
1230F	4007	" " " " Screw (2)	03
39604	4055	" " Plate	2 00
1231F	4007	" " " " Screw (back) (2)	02
404D	4007	" " " " (front) (2)	02
39543	4039	" " Regulator with 233D and	
		1960	2 50
1232c	4007	Clamp Carrier Regulator Hinge Screw	12
1960	4007	" " " " Roller and	
		Screw Stud with 1520E	35
1520E	4012	Clamp Carrier Regulator Roller and	
		Screw Stud Nut	03
39544	4012	Clamp Carrier Regulator Slide	30
1347c	4009	" " " " Stud (to regulate length of buttonhole)	10
1671c	4009	Clamp Carrier Regulator Stud Nut	08
39532	4009	" " " " Sleeve	10
233D	4007	" " " " Stop	
		Screw	02
39720	4078	Clamp Carrier Slide with 1345D, 39591 and two 756D	4 35
23392	4008	Clamp Carrier Slide Guide (left)	40
914F	4008	" " " " " " Screw	04
23393	4008	" " " " " (right)	40
914F	4008	" " " " " " Screw	
		(2)	04
23394	4005	Clamp Carrier Slide Lever with 1960	2 50
23395	4005	" " " " " Regulator	2 50
23396	4008	" " " " " "	
		Cap	20

No.	Plate	Name	Each
233D	4008	Clamp Carrier Slide Lever Regulator	
		Cap Screw (4)	\$ 02
67D	4008	Clamp Carrier Slide Lever Regulator	
		Screw	12
1960	4007	Clamp Carrier Slide Lever Roller and	
		Screw Stud with 1520E	35
1520E	4012	Clamp Carrier Slide Lever Roller and	
		Screw Stud Nut	03
7278	4008	Clamp Carrier Slide Lever Socket	
		Joint	25
1234c	4008	Clamp Carrier Slide Regulating Stud	20
23397	4008	" " " " " "	
		Bushing	20
1658c	4008	Clamp Carrier Slide Regulating Stud	
		Thumb Nut	15
1256D	4008	Clamp Carrier Slide Screw (2)	08
39721	4072	" Check with 39723, two each	
		237F and 1348c	8 00
39722	—	Clamp Check complete, Nos. 219F, 2269, 39721, 39728, 39729, 40049 and 40050	9 00
1297F	4045	Clamp Check Screw (2)	04
39723	4072	" " Section and Cutting	
		Plate	2 00
237F	4056	Clamp Check Section and Cutting	
		Plate Screw	02
1348c	4056	Clamp Check Section and Cutting	
		Plate Support Stud	02
39724	4078	Clamp Lifting Arm	1 00
40015	4059	" " " " Connection	1 00
41c	4059	" " " " " Hinge	
		Screw	10
1520E	4012	Clamp Lifting Arm Connection Hinge	
		Screw Nut	03
1901	4059	Clamp Lifting Arm Connection Roller	
		and Screw Stud with 229D and 12424	35
40016	4059	Clamp Lifting Arm Connection Roller	
		and Screw Stud Bracket	40
157F	4015	Clamp Lifting Arm Connection Roller	
		and Screw Stud Bracket Screw	04
39541	4040	Clamp Lifting Arm Connection Roller	
		and Screw Stud Bracket Screw	
		Washer	05
229D	4014	Clamp Lifting Arm Connection Roller	
		Cap Screw	02
12124	4014	Clamp Lifting Arm Connection Roller	
		Cap Screw Washer	02
199D	4059	Clamp Lifting Arm Screw (2)	04

No.	Plate	Name	Each
40017	4059	Clamp Lifting Arm Stop	\$ 75
39725	4072	" " " " Bracket	75
162D	4025	" " " " " Screw	
		(2)	04
1248C	4003	Clamp Lifting Arm Stop Hinge Screw	08
1611E	4059	Clamp Lifting Arm Stop Hinge Screw Nut	03
40019	4054	Clamp Lifting Arm Stop Pitman	50
59D	4060	" " " " " Hinge Screw (2)	07
40020	4055	Clamp Plate	1 25
1235F	4009	" " " " " Screw (4)	04
23573	4005	" " " " " Support	25
402D	4007	" " " " " Screw	02
23574	4009	" " " " " Post	75
1659C	4009	" " " " " Pressure Regulating Thumb Nut	10
39514	4020	Clamp Spring	15
23693	4009	" " " " " Bushing	1 00
1294C	4009	" " " " " Position Stud	03
1550H	4009	" " " " " Nut	03
24028	4000	Crank Connecting Rod with 24085 and two 896E	1 35
*24085	—	Crank Connecting Rod Cap	—
896E	4025	" " " " " Screw	04
908C	4025	" " " " " Hinge Screw	12
1619E	4025	" " " " " Nut	05
23406	4000	Face Plate	1 25
217F	4025	" " " " " Screw (2)	03
23407	4001	Feed Connecting Rod (lower)	2 50
375C	4025	" " " " " Hinge Screw	12
1518E	4002	Feed Connecting Rod (lower) Hinge Screw Nut	04
23408	4001	Feed Connecting Rod (upper) with 12204 and two 966E	1 50
*12204	—	Feed Connecting Rod (upper) Cap	—
966E	4025	" " " " " Screw	04
23409	4001	Feed Disengaging Lever	1 25
1275C	4003	" " " " " Hinge Screw	10
1521E	4003	" " " " " Nut	03
23557	4001	Feed Disengaging Lever Spring	10
23412	4013	" " " " " Eccentric with 448C	2 50
448C	4015	" " " " " Set Screw	03

No.	Plate	Name	Each
23413	4000	Feed Hand Ratchet Lever with 214D and 1049C	\$ 75
23414	4013	Feed Hand Ratchet Lever Collar with two 453C	50
453C	4013	Feed Hand Ratchet Lever Collar Set Screw	02
39567	—	Feed Hand Ratchet Lever Pawl Body with 214D	50
39522	4000	Feed Hand Ratchet Lever Pawl complete, Nos. 207C, 39523, 39567 and two 1049C	75
90D	4013	Feed Hand Ratchet Lever Pawl Hinge Screw	05
39523	4012	Feed Hand Ratchet Lever Pawl Point	25
1049C	4013	Feed Hand Ratchet Lever Pawl Point Position Screw	02
207C	4012	Feed Hand Ratchet Lever Pawl Point Screw	02
13218	4013	Feed Hand Ratchet Lever Pawl Spring	05
214D	4013	Feed Hand Ratchet Lever Pawl Spring Screw	03
1049C	4013	Feed Hand Ratchet Lever Pawl Stop Screw	02
23416	4013	Feed Hand Ratchet Wheel with 460C	1 25
3012	4013	" " " " " Pin	01
460C	4013	" " " " " Set Screw	02
23418	4000	" " " " " Rock Shaft	1 50
23419	—	Feed Rock Shaft complete, Nos. 23418 and 23420	2 10
23420	4000	Feed Rock Shaft Hinge Pin with 23421	60
23421	4013	Feed Rock Shaft Hinge Pin Plug (leather) Per 100	50
448C	4015	Feed Rock Shaft Hinge Pin Set Screw	03
23422	4013	Feed Rock Shaft Spring	15
39590	4004	" " " " " Plate	02
181D	4013	" " " " " Screw	04
23698	4035	" " " " " Wheel with 23432 and two 220D, for wide bight and wide cutting space, for overall work, etc.	6 00
150C	4012	Feed Wheel Cap Screw	10
39553	4042	" " " " " Driving Lever	3 00
39597	4045	" " " " " Block with 602D and 39598 (2)	80
769C	4045	Feed Wheel Driving Lever Block Adjusting Screw	06

No.	Plate	Name	Each
39594	4045	Feed Wheel Driving Lever Block Adjusting Screw Bracket with 769c, 898c and 39504 (2)	\$ 60
185H	4045	Feed Wheel Driving Lever Block Adjusting Screw Bracket Screw (4)	02
898c	4045	Feed Wheel Driving Lever Block Adjusting Screw Clamping Screw	04
39504	4064	Feed Wheel Driving Lever Block Adjusting Screw Clamping Screw Washer	01
39598	4045	Feed Wheel Driving Lever Block Lock Spring	03
602D	4045	Feed Wheel Driving Lever Block Lock Spring Screw	02
39554	4042	Feed Wheel Driving Lever Pitman with 23429, 50088c and two 196F	1 65
50088c	4072	Feed Wheel Driving Lever Pitman Ball Joint Screw	15
*23429	—	Feed Wheel Driving Lever Pitman Cap	—
196F	4007	Feed Wheel Driving Lever Pitman Cap Screw	02
23427	4010	Feed Wheel Driving Lever Plate	25
404D	4007	" " " " " Screw (2)	02
1236c	4012	Feed Wheel Driving Lever Regulating Stud	12
7070	4007	Feed Wheel Driving Lever Regulating Stud Sleeve	10
1658A	4008	Feed Wheel Driving Lever Regulating Stud Thumb Nut	15
1237c	4012	Feed Wheel Friction Ring Screw	10
1520E	4012	" " " " " Nut	03
14017	4012	Feed Wheel Friction Ring Screw Washer	05
23552	4010	Feed Wheel Friction Ring Section (long)	45
23553	4010	Feed Wheel Friction Ring Section (short)	45
23554	4012	Feed Wheel Friction Ring Spring	10
23555	—	Feed Wheel Friction Ring complete, Nos. 23552 to 23554	1 00
2117	4012	Feed Wheel Pin	01
2254	4045	" " Retaining Clutch	20
39595	4045	" " " " Cap	10
898c	4045	" " " " " Screw	04
39504	4064	" " " " " Washer	01

No.	Plate	Name	Each
2256	4045	Feed Wheel Retaining Clutch Spring	\$ 03
233D	4007	" " " " " Screw	02
721D	4045	Feed Wheel Retaining Clutch Spring Stop Screw	06
39596	4045	Feed Wheel Retaining Clutch Stud	25
23431	4010	" " Shaft	1 50
457c	4012	" " " Oil Hole Plug Screw	02
23433	4010	Feed Wheel Tripping Lever	2 00
1257c	4012	" " " " Hinge Screw	15
23587	4012	Feed Wheel Tripping Lever Point	25
203c	4003	" " " " " Screw (2)	03
23435	4013	Feed Wheel Tripping Lever Spring	10
190D	4013	" " " " " Screw	03
179E	4004	Feed Wheel Tripping Lever Stop Screw	03
23432	4012	Feed Wheel Tripping Point	40
220D	4012	" " " " " Screw ..	02
23445	—	Knife, $\frac{3}{8}$ inch	20
23446	—	" $\frac{1}{8}$ inch	20
23447	—	" $\frac{1}{2}$ inch	20
23448	—	" $\frac{1}{8}$ inch	20
23449	—	" $\frac{5}{8}$ inch	20
23450	—	" $\frac{1}{2}$ inch	20
23451	4014	" $\frac{3}{4}$ inch	20
23452	—	" $\frac{1}{8}$ inch	20
23453	—	" $\frac{1}{4}$ inch	20
23454	—	" $\frac{1}{8}$ inch	20
23455	—	" 1 inch	20
23456	—	" $1\frac{1}{8}$ inch	20
23457	—	" $1\frac{1}{4}$ inch	20
23458	—	" $1\frac{3}{8}$ inch	20
23459	—	" $1\frac{1}{2}$ inch	20
39555	—	" $1\frac{5}{8}$ inch	20
39556	—	" $1\frac{3}{4}$ inch	20
39557	—	" $1\frac{7}{8}$ inch	20
39558	—	" $1\frac{1}{2}$ inch	20
23460	4010	" Bar	80
23461	4015	" " Connecting Link	1 00
1239F	4015	" " " " Hinge Cap Screw	04
1240c	4015	Knife Bar Connecting Link Hinge Screw	05
23462	4015	Knife Bar Connecting Stud with 1319F	60

No.	Plate	Name	Each
1319F	4015	Knife Bar Connecting Stud Clamping Screw	\$ 04
23463	4015	Knife Bar Disengaging Lever	40
23464	4015	" " " " Catch with 1963	60
23465	4015	Knife Bar Disengaging Lever Catch Bracket	1 00
157D	4015	Knife Bar Disengaging Lever Catch Bracket Screw (2)	04
90C	4013	Knife Bar Disengaging Lever Catch Hinge Screw	05
1963	4015	Knife Bar Disengaging Lever Catch Roller and Stud	20
23468	4015	Knife Bar Disengaging Lever Catch Spring	05
1241E	4015	Knife Bar Disengaging Lever Catch Spring Screw Stud (2)	05
23466	4015	Knife Bar Disengaging Lever Catch Tripping Point	30
23467	4015	Knife Bar Disengaging Lever Catch Tripping Point Collar with two 448c	40
448C	4015	Knife Bar Disengaging Lever Catch Tripping Point Collar Set Screw	03
175D	4015	Knife Bar Disengaging Lever Catch Tripping Point Screw	02
90C	4013	Knife Bar Disengaging Lever Hinge Screw	05
23606	4015	Knife Bar Disengaging Lever Spring	10
1242E	4015	" " " " " " Screw (2)	05
240D	4003	Knife Bar Disengaging Lever Stop Screw	02
23469	4010	Knife Bar Driving Lever	1 25
1290C	4014	" " " " Hinge Screw	30
1428C	4014	" " " " Screw Stud	06
1520E	4012	" " " " " " Nut	03
23681	4014	Knife Bar Driving Lever Spring	15
805C	4002	" " " " " " Screw	04
23470	4010	" " " " " (intermediate)	2 00
23471	4014	Knife Bar Driving Lever (intermediate) Connecting Link	1 00
54C	4014	Knife Bar Driving Lever (intermediate) Connecting Link Hinge Screw	10
1222C	4014	Knife Bar Driving Lever (intermediate) Hinge Screw	15

No.	Plate	Name	Each
1959	4014	Knife Bar Driving Lever (intermediate) Roller and Screw Stud with 229D and 12424	\$ 35
229D	4014	Knife Bar Driving Lever (intermediate) Roller Cap Screw	02
12424	4014	Knife Bar Driving Lever (intermediate) Roller Cap Screw Washer	02
23682	4014	Knife Bar Spring	05
39566	4014	" " Stop	1 15
39565	—	Knife Bar Stop complete, Nos. 1673C, 23548 and 39566	1 40
1673C	4014	Knife Bar Stop Lock Nut	20
23548	4014	" " " Plug (fibre)	02
23473	4014	" Holder	2 50
1243C	4014	" " Guide Stud	08
1608C	4014	" " " " Nut	05
157C	4015	" " Screw	04
1547C	4009	" " " Nut	03
191C	4022	" Screw	03
23390	4014	" " Washer	10
39600	4048	Needle Bar with 904F	80
23476	4016	" " Connecting Link with 794E	50
794E	4016	Needle Bar Connecting Link Adjusting Screw	05
1021E	4016	Needle Bar Connecting Link Cap Screw	06
39601	4004	Needle Bar Connecting Stud with 1341C	25
1341C	4004	Needle Bar Connecting Stud Set Screw	04
23477	4010	Needle Bar Crank with 858C, 1036C and 1258C	80
1065C	4025	Needle Bar Crank Position Screw	10
858C	4002	" " " Set Screw	03
23478	4006	" " Frame with 4784	2 00
23558	4001	" " " Bell Crank with 1956	3 00
1956	4016	Needle Bar Frame Bell Crank Roller and Screw Stud with 229D, 1655E and 23389	35
1655E	4002	Needle Bar Frame Bell Crank Roller and Screw Stud Nut	04
229D	4014	Needle Bar Frame Bell Crank Roller Cap Screw	02
23389	4016	Needle Bar Frame Bell Crank Roller Cap Screw Washer	02
23667	4016	Needle Bar Frame Bell Crank Stud	75

No.	Plate	Name	Each
23481	4001	Needle Bar Frame Cam and Bevel Gear	\$4 00
1244c	4016	Needle Bar Frame Cam and Bevel Gear Screw	20
39622	4048	Needle Bar Frame Connection with 1963 and 39616 to 39618	2 00
78c	4004	Needle Bar Frame Connection Hinge Screw	06
1963	4015	Needle Bar Frame Connection Roller and Stud	20
23483	4004	Needle Bar Frame Connection Spring	10
23484	4004	" " " " " "	
		Hook	15
1226E	4002	Needle Bar Frame Connection Spring Screw Stud	04
23485	4004	Needle Bar Frame Connection Stud	05
196F	4007	" " " " " "	
		Set Screw	02
23486	4016	Needle Bar Frame Driving Bevel Pinion with two 453c	1 00
453c	4013	Needle Bar Frame Driving Bevel Pinion Set Screw	02
23610	—	Needle Bar Frame Pitman (hinge screw end)	65
23609	—	Needle Bar Frame Pitman (regulator end)	40
190c	4013	Needle Bar Frame Pitman Adjusting Screw	03
7071	4003	Needle Bar Frame Pitman Adjusting Screw Washer	01
23611	4016	Needle Bar Frame Pitman (adjustable) complete, Nos. 23609, 23610, two each 190c and 7071	1 15
1042F	4016	Needle Bar Frame Pitman Hinge Screw	06
1547D	4009	Needle Bar Frame Pitman Hinge Screw Nut	03
23491	4004	Needle Bar Frame Regulator	1 50
39900	—	" " " " 23491 with 1245c	1 60
1038c	4004	Needle Bar Frame Regulator Adjusting Screw	10
7070	4007	Needle Bar Frame Regulator Adjusting Screw Sleeve	10
1589c	4003	Needle Bar Frame Regulator Adjusting Screw Thumb Nut	06
1245c	4004	Needle Bar Frame Regulator Hinge Screw	12
673F	4016	Needle Bar Frame Screw Center	08

No.	Plate	Name	Each
1517E	4016	Needle Bar Frame Screw Center Nut	\$ 04
39726	4072	" Plate	1 25
404D	4007	" Screw (2)	02
904F	4004	" Set Screw	02
39653	4048	Oscillating Rock Shaft	1 00
39654	—	Oscillating Rock Shaft complete, Nos. 4784, 23494 and 39653	1 50
23494	4006	Oscillating Rock Shaft Hinge Pin with 23421	50
23421	4013	Oscillating Rock Shaft Hinge Pin Oil Hole Plug (leather) Per 100	50
448c	4015	Oscillating Rock Shaft Hinge Pin Set Screw	03
4784	4013	Oscillating Rock Shaft Oil Pad	01
39655	4051	" Shaft	50
39656	4023	" " Bushing (back)	40
24047	4013	" " " (front)	40
39657	—	" " Crank	50
39692	4023	Oscillating Shaft Crank complete, Nos. 1636E, 15171, 39657 and two 1253c	1 10
1253c	4023	Oscillating Shaft Crank Set Screw	03
15170	4023	" " " Slide Block	35
229D	4014	" " " " "	
		Cap Screw	02
12424	4014	Oscillating Shaft Crank Slide Block Cap Screw Washer	02
1035c	4017	Oscillating Shaft Crank Slide Block Screw Stud	15
1636E	4017	Oscillating Shaft Crank Slide Block Screw Stud Nut	03
15171	4023	Oscillating Shaft Crank Slide Block complete, Nos. 229D, 1035c, 12424 and 15170	50
23497	4019	Pulley (loose)	1 75
40024	4035	" (tight)	2 50
23499	4019	" " Counterbalance	20
28034	4020	" " " Rivet	01
40025	4004	" " Pin	01
23500	4017	Shuttle Bobbin	08
15140	4017	" " Case Latch	10
2973	4017	" " " Lever	10
2974	4017	" " " " " Fulcrum Pin Per 100	10
15141	—	Shuttle Bobbin Case Hinge, Nos. 2973, 2974 and 15140	25
2975	4017	Shuttle Bobbin Case Latch Spring	02
592E	4017	" " " " Stop Screw	02
40026	4065	" " " Position Finger	05

No.	Plate	Name	Each
2523	4017	Shuttle Bobbin Case Position Finger Rivet	Per 100 \$ 25
40027	4065	Shuttle Bobbin Case complete, Nos. 591F, 592E, 2523, 2975, 15141, 23680 and 40026	75
40028	4065	Shuttle Body	75
591F	4017	" Tension Regulating Screw	02
23680	4017	" " Spring	10
40029	4065	" 1½ in. diam., Nos. 23500, 40027 and 40028	1 50
23505	4017	Shuttle Driver with 462c	75
2269	4017	" " Pin	01
462c	4017	" " Set Screw	02
14049	4018	" Race Back	40
2532	4018	" " " Position Pin. Per 100	10
2533	4018	" " " Spring	12
648D	4018	" " " " Screw	07
*23506	—	" " Body	—
39904	—	" " " 23506 with 7326 and two 662D	1 35
7326	4018	Shuttle Race Cap	15
662D	4018	" " " Screw	02
23621	4018	Shuttle Race complete, Nos. 648D, 2533, 14049, 39904 and two 2532	1 95
145F	4018	Shuttle Race Screw (2)	04
39627	4053	Starting Lever	3 50
717c	4020	" " Adjusting Screw	08
1520E	4012	" " " " Nut	03
21643	4020	" " Belt Shifter (for general work)	75
23556	4007	Starting Lever Belt Shifter (for heavy work)	75
159F	4020	Starting Lever Belt Shifter Screw	03
23510	4019	" " Bracket	1 00
8582	4013	" " " Dowel Pin (2)	02
123E	4020	" " " Screw	06
23511	4019	" " Rod	75
61c	4020	" " Hinge Screw	06
564c	4020	" " Screw Center (2)	12
1508E	4020	" " " " Nut (2)	06
14174	4020	" " Spring	08
124F	4002	" " Stop Screw	08
1518E	4002	" " " Nut	04
39628	4059	Stop Cam with 39629	1 50
39580	4019	" " Interlocking Rod	50
23514	4020	" " " Guide with 1070c and 1959	1 50
1070c	4020	Stop Cam Interlocking Rod Guide Set Screw	08

No.	Plate	Name	Each
21650	4021	Stop Cam Interlocking Rod Guide Washer (rawhide)	\$ 02
21651	4021	Stop Cam Interlocking Rod Spring	10
913c	4021	" " " " " Regulating Thumb Screw	40
1638E	4021	Stop Cam Interlocking Rod Spring Regulating Thumb Screw Nut	12
39629	4059	Stop Cam Pin	15
23515	4021	" " Spring (long)	08
23516	4021	" " " (short)	05
23517	4019	" " " Cover with 23499, two each 9780 and 28034	25
9780	4021	Stop Cam Spring Cover Position Pin	01
997c	4021	" " " " Screw (2)	05
39637	4021	" " " Stop Block	30
1349c	4004	" " " " Screw	04
39638	4021	" " " " " Block	30
457c	4012	" " " " " Set Screw	02
23518	4010	" Lever	75
78D	4004	" " Hinge Screw	06
9540	4021	" " Spring	02
2102	4022	Tension (side of arm) Disc (2)	05
1560c	4022	" " " " Regulating Thumb Nut	04
23519	4022	Tension (side of arm) Releaser with 200F	30
40033	4054	Tension (side of arm) Releaser Arm with 641c	1 25
12538	4060	Tension (side of arm) Releaser Arm Pin	01
641c	4060	Tension (side of arm) Releaser Arm Set Screw	03
200F	4022	Tension (side of arm) Releaser Set Screw	03
23520	4022	Tension (side of arm) Releaser Shaft	10
40034	4060	" " " " " " Crank	75
679c	4060	Tension (side of arm) Releaser Shaft Crank Ball Screw Stud	12
1520E	4012	Tension (side of arm) Releaser Shaft Crank Ball Screw Stud Nut	03
2269	4017	Tension (side of arm) Releaser Shaft Crank Pin	01
413F	4022	Tension (side of arm) Screw Stud	10
8238	4052	" " " " Spring	05
23669	4022	" " " " Thread Guard	10
460c	4013	" " " " " " Set Screw	02
40035	4058	Thread (lower) Cutting Blade	30

144 Parts for Machine No. 71-35			
No.	Plate	Name	Each
40036	4058	Thread (lower) Cutting Blade Carrier with 40038	\$1 25
40037	4054	Thread (lower) Cutting Blade Carrier Lever	2 00
	32c	4025 Thread (lower) Cutting Blade Carrier Lever Hinge Screw	10
39736	4058	Thread (lower) Cutting Blade Carrier Lever Spring	05
	1241E	4015 Thread (lower) Cutting Blade Carrier Lever Spring Screw Stud (2)	05
	435c	4058 Thread (lower) Cutting Blade Carrier Lever Stop Screw	04
	1520E	4012 Thread (lower) Cutting Blade Carrier Lever Stop Screw Nut	03
40038	4058	Thread (lower) Cutting Blade Carrier Stud	15
39646	4058	Thread (lower) Cutting Blade Friction Plate	25
	228F	4058 Thread (lower) Cutting Blade Friction Plate Screw (2)	02
	240D	4003 Thread (lower) Cutting Blade Screw (2)	02
39727	4078	Thread (lower) Cutting Lever	1 25
	1351c	" " " " Ball Screw	10
	1520E	4012 Thread (lower) Cutting Lever Ball Screw Nut	03
40039	4060	Thread (lower) Pull-off Finger	1 00
	106c	4057 " " " " Guide Screw	04
	1350c	4060 Thread (lower) Pull-off Finger Hinge Screw	05
39728	4072	Thread (upper) Clamping Blade	20
39729	4072	" " Cutting Blade	20
39730	4070	" " " " Connecting Rod	40
40044	4057	Thread (upper) Cutting Blade Connecting Rod Collar (front) with 237F	15
	2273	4057 Thread (upper) Cutting Blade Connecting Rod Collar (front) Pin..	01
	237F	4056 Thread (upper) Cutting Blade Connecting Rod Collar (front) Set Screw	02
40045	4057	Thread (upper) Cutting Blade Connecting Rod Collar (front) Washer (rawhide) (2)	01
	106c	4057 Thread (upper) Cutting Blade Connecting Rod Hinge Screw	04

Parts for Machine No. 71-35 145			
No.	Plate	Name	Each
23606	4015	Thread (upper) Cutting Blade Connecting Rod Spring	\$ 10
39611	4057	Thread (upper) Cutting Blade Connecting Rod Spring Bracket	50
	203F	4003 Thread (upper) Cutting Blade Connecting Rod Spring Bracket Screw (2)	03
	7071	4003 Thread (upper) Cutting Blade Connecting Rod Spring Bracket Screw Washer (2)	01
40047	4057	Thread (upper) Cutting Blade Connecting Rod Spring Collar with 646F	15
	646F	4057 Thread (upper) Cutting Blade Connecting Rod Spring Collar Set Screw	02
	240D	4003 Thread (upper) Cutting Blade Connecting Rod Stop Screw	02
21699	4056	Thread (upper) Cutting Blade Position Pin	Per 100
	219F	4008 Thread (upper) Cutting Blade Screw	02
40049	4056	" " " " Shaft with 21699	25
40050	4056	Thread (upper) Cutting Blade Shaft Crank with 906c	30
	2269	4017 Thread (upper) Cutting Blade Shaft Crank Pin	01
	906c	4056 Thread (upper) Cutting Blade Shaft Crank Set Screw	02
40051	4054	Thread (upper) Cutting Lever with 641c	1 00
40052	4057	Thread (upper) Cutting Lever Lock Pin	10
	1352c	4057 Thread (upper) Cutting Lever Lock Pin Screw Bushing	06
40053	4057	Thread (upper) Cutting Lever Lock Pin Spring	02
	2117	4012 Thread (upper) Cutting Lever Pin ..	01
	641c	4060 " " " " Set Screw	03
40054	4054	Thread (upper) Cutting Lever Shaft	75
40067	4054	" " " " " Bracket	1 25
	966D	4025 Thread (upper) Cutting Lever Shaft Bracket Screw (4)	04
39612	4057	Thread (upper) Cutting Lever Shaft Crank with two each 200F and 40059	1 00

146 Parts for Machine No. 71-35

No.	Plate	Name	Each
40057	4057	Thread (upper) Cutting Lever Shaft Crank Latch	\$ 50
766D	4057	Thread (upper) Cutting Lever Shaft Crank Latch Hinge Screw	05
40058	4058	Thread (upper) Cutting Lever Shaft Crank Latch Spring	05
206F	4057	Thread (upper) Cutting Lever Shaft Crank Latch Spring Screw, for 39612	02
1144F	4057	Thread (upper) Cutting Lever Shaft Crank Latch Spring Screw, for 40057	04
40059	4057	Thread (upper) Cutting Lever Shaft Crank Latch Stop Pin... Per 100	10
200F	4022	Thread (upper) Cutting Lever Shaft Crank Set Screw	03
40060	4052	Thread (upper) Cutting Lever Spring	10
1241E	4015	" " " " " " Screw Stud (2)	05
717C	4020	Thread (upper) Cutting Lever Stop Screw	08
1520E	4012	Thread (upper) Cutting Lever Stop Screw Nut	03
12400	4022	Thread Retainer Sleeve	05
12401	4022	" " Spring	01
12402	4022	" " Stud	07
460C	4013	" " " " Set Screw	02
12399	—	Thread Retainer complete, Nos. 12400 to 12402	15
23523	4023	Thread Take-up Crank	80
1036C	4023	" " " Position Screw	03
1258C	4023	" " " Set Screw	02
23524	4023	" " " Lever	1 00
12166	4023	" " " Hinge Pin	05
23543	4023	" " " Link	40
11204	4023	" " " Hinge Pin	15
435C	4058	" " " " " " Set Screw	04
23525	—	Thread Take-up Lever complete, Nos. 12166, 23524 and 23543	1 45
4784	4013	Thread Take-up Lever Oil Pad	01
7335	4022	" " Spring	03
23526	4022	" " Regulator	25
446C	4025	" " " " Set Screw	03

147

LIST OF PARTS COMPLETE

FOR

MACHINE No. 71-40

Makes Purl Stitch, Has No Barring Device, Knives from $\frac{3}{8}$ to $\frac{1}{2}$ in. Long. Cuts Both Threads and the Hole Automatically After Stitching.

No.	Plate	Name	Each
*39644	—	Arm with 24081	\$ —
8582	4013	" Dowel Pin (2)	02
748E	4025	" Screw (back) (2)	08
868E	4025	" " (front) (2)	10
23352	4030	" Shaft	2 50
*24081	—	" " Bushing (front)	—
12357	4000	" " Flanged Bushing (back)	20
435C	4058	" " " " " " Set Screw	04
4784	4013	Arm Shaft Oil Pad	01
1069D	4025	" " Screw	12
39620	4051	" Side Cover	12
190D	4013	" " " Screw	03
39659	4055	" Top Cover	40
808F	4025	" " " Screw (3)	03
*39603	—	Bed	—
39538	4032	" Oil Guard	75
1235F	4009	" " " Screw (2)	04
23567	4006	Clamp Arm	2 00
625F	4009	" " Adjusting Screw (2)	05
1547D	4009	" " " " Nut (2)	03
39584	4034	" " Bracket with 196F	1 00
40003	4041	" " " Guide (left)	20
217F	4025	" " " " " " Screw (2)	03
40004	4041	Clamp Arm Bracket Guide (right)	20
217F	4025	" " " " " " Screw (2)	03
191C	4022	Clamp Arm Bracket Screw (3)	03
39541	4040	" " " " Washer (3)	05
23379	4007	" " Hinge Block	1 00
23380	4007	" " " " Pin	05
196F	4007	" " " " " " Set Screw	02
1231F	4007	Clamp Arm Screw (3)	02

No.	Plate	Name	Each
40005	4051	Clamp Carrier	\$3 00
40006	4004	" " Block with 40007 and four 404D	75
40007	4004	Clamp Carrier Block Plate	20
404D	4007	" " " " Screw ..	02
23384	4007	" " Connecting Rod	50
52c	4007	" " " " Hinge Screw	10
39591	4004	Clamp Carrier Guide (left)	25
756D	4004	" " " " Screw (long)	02
1345D	4059	Clamp Carrier Guide (left) Screw (short)	04
39645	4059	Clamp Carrier Guide (right)	25
1230r	4007	" " " " Screw (2)	03
39604	4055	Clamp Carrier Plate	2 00
1231F	4007	" " " " Screw (back) (2) ..	02
404D	4007	" " " " (front) (2) ..	02
40010	4035	" " Regulator with 240D, 1960 and 39583	2 50
1232c	4007	Clamp Carrier Regulator Hinge Screw	12
1960	4007	Clamp Carrier Regulator Roller and Screw Stud with 1520E	35
1520E	4012	Clamp Carrier Regulator Roller and Screw Stud Nut	03
39544	4012	Clamp Carrier Regulator Slide	30
1347c	4009	" " " Stud (to regu- late length of buttonhole)	10
1671c	4009	Clamp Carrier Regulator Stud Nut ..	08
39532	4009	" " " " Sleeve ..	10
39583	4004	" " " " Stop ..	10
240D	4003	" " " " Screw	02
39605	4051	Clamp Carrier Slide with 1345D, 39591 and two 756D	4 35
23392	4008	Clamp Carrier Slide Guide (left)	40
914F	4008	" " " " Screw (2)	04
23393	4008	Clamp Carrier Slide Guide (right) ..	40
914F	4008	" " " " " " Screw (2)	04
23394	4005	Clamp Carrier Slide Lever with 1960	2 50
23395	4005	Clamp Carrier Slide Lever Regulator ..	2 50
23396	4008	" " " " " " Cap	20

No.	Plate	Name	Each
223D	4008	Clamp Carrier Slide Lever Regulator Cap Screw (4)	\$ 02
67D	4008	Clamp Carrier Slide Lever Regulator Screw	12
1960	4007	Clamp Carrier Slide Lever Roller and Screw Stud with 1520E	35
1520E	4012	Clamp Carrier Slide Lever Roller and Screw Stud Nut	03
7278	4008	Clamp Carrier Slide Lever Socket Joint	25
1234c	4008	Clamp Carrier Slide Regulating Stud ..	20
23397	4008	" " " " " " Bushing	20
1658c	4008	Clamp Carrier Slide Regulating Stud Thumb Nut	15
1256D	4008	Clamp Carrier Slide Screw (2)	08
39606	4056	" Check with 39607, two each 237F and 1348c, for $\frac{3}{8}$ to $\frac{3}{4}$ in. buttonholes	3 50
39693	—	Clamp Check complete, for $\frac{3}{8}$ to $\frac{3}{4}$ in. buttonholes, Nos. 219F, 2269, 39606, 39609 and 40048 to 40050..	4 50
1297F	4045	Clamp Check Screw (2)	04
39607	4056	" " Section and Cutting Plate	1 25
237F	4056	Clamp Check Section and Cutting Plate Screw	02
1348c	4056	Clamp Check Section and Cutting Plate Support Stud	02
40014	4054	Clamp Lifting Arm	50
40015	4059	" " " Connection	1 00
41c	4059	" " " " Hinge Screw	10
1520E	4012	Clamp Lifting Arm Connection Hinge Screw Nut	03
1901	4059	Clamp Lifting Arm Connection Roller and Screw Stud with 229D and 12424	35
40016	4059	Clamp Lifting Arm Connection Roller and Screw Stud Bracket	40
157F	4015	Clamp Lifting Arm Connection Roller and Screw Stud Bracket Screw ..	04
39541	4040	Clamp Lifting Arm Connection Roller and Screw Stud Bracket Screw Washer	05
229D	4014	Clamp Lifting Arm Connection Roller Cap Screw	02
12424	4014	Clamp Lifting Arm Connection Roller Cap Screw Washer	02

150 Parts for Machine No. 71-40

No.	Plate	Name	Each
199D	4059	Clamp Lifting Arm Screw (2)	\$ 04
40017	4059	" " " Stop	75
40018	4060	" " " Bracket	75
162D	4025	" " " " "	
		Screw (2)	04
1248C	4003	Clamp Lifting Arm Stop Hinge Screw	08
1611E	4059	" " " " " "	
		Nut	03
40019	4054	Clamp Lifting Arm Stop Pitman	50
59D	4060	" " " " " Hinge	
		Screw (2)	07
40020	4055	Clamp Plate	1 25
1235F	4009	" " Screw (4)	04
23573	4005	" " Support	25
402D	4007	" " " Screw (2)	02
23574	4009	" Post	75
1659C	4009	" Pressure Regulating Thumb Nut	10
23404	4009	" Spring	15
23693	4009	" " Bushing	1 00
1294C	4009	" " " Position Stud	03
1550H	4009	" " " " " Nut	03
24028	4000	Crank Connecting Rod with 24085 and two 896E	1 35
*24085	—	Crank Connecting Rod Cap	—
896E	4025	" " " " Screw	04
908C	4025	" " " " Hinge Screw	12
1619E	4025	" " " " " "	
		Nut	05
23406	4000	Face Plate	1 25
217F	4025	" " Screw (2)	03
23672	4033	Feed Connecting Rod with 12204 and two 145E	1 00
*12204	—	Feed Connecting Rod Cap	—
145E	4018	" " " " Screw	04
375C	4025	" " " " Hinge Screw	12
1518E	4002	" " " " " "	
		Nut	04
23412	4013	Feed Eccentric with 448C	2 50
448C	4015	" " " Set Screw	03
23413	4000	Feed Hand Ratchet Lever with 214D and 1049C	75
23414	4013	Feed Hand Ratchet Lever Collar with two 453C	50
453C	4013	Feed Hand Ratchet Lever Collar Set Screw	02
39567	—	Feed Hand Ratchet Lever Pawl Body with 214D	50

Parts for Machine No. 71-40 151

No.	Plate	Name	Each
39522	4000	Feed Hand Ratchet Lever Pawl complete, Nos. 207C, 39523, 39567 and two 1049C	\$ 75
90D	4013	Feed Hand Ratchet Lever Pawl Hinge Screw	05
39523	4012	Feed Hand Ratchet Lever Pawl Point	25
1049C	4013	Feed Hand Ratchet Lever Pawl Point Position Screw	02
207C	4012	Feed Hand Ratchet Lever Pawl Point Screw	02
13218	4013	Feed Hand Ratchet Lever Pawl Spring	05
214D	4013	Feed Hand Ratchet Lever Pawl Spring Screw	03
1049C	4013	Feed Hand Ratchet Lever Pawl Stop Screw	02
23416	4013	Feed Hand Ratchet Wheel with 460C	1 25
3012	4013	" " " " Pin	01
460C	4013	" " " " Set Screw	02
23418	4000	" Rock Shaft	1 50
23419	—	Feed Rock Shaft complete, Nos. 23418 and 23420	2 10
23420	4000	Feed Rock Shaft Hinge Pin with 23421	60
23421	4013	Feed Rock Shaft Hinge Pin Plug (leather) Per 100	50
448C	4015	Feed Rock Shaft Hinge Pin Set Screw	03
39552	4042	Feed Wheel with 23432 and two 220D	6 00
150C	4012	" " Cap Screw	10
23424	4010	" " Driving Lever	3 00
39597	4045	" " " " Block with 602D and 39598 (2)	80
769C	4045	Feed Wheel Driving Lever Block Adjusting Screw	06
39594	4045	Feed Wheel Driving Lever Block Adjusting Screw Bracket with 769C, 898C and 39504 (2)	60
185H	4045	Feed Wheel Driving Lever Block Adjusting Screw Bracket Screw (4)	02
898C	4045	Feed Wheel Driving Lever Block Adjusting Screw Clamping Screw	04
39504	4064	Feed Wheel Driving Lever Block Adjusting Screw Clamping Screw Washer	01
39598	4045	Feed Wheel Driving Lever Block Lock Spring	03

No.	Plate	Name	Each
602D	4045	Feed Wheel Driving Lever Block Lock Spring Screw	\$ 02
23428	4012	Feed Wheel Driving Lever Pitman with 23429, 50088c and two 196F	1 65
50088c	4072	Feed Wheel Driving Lever Pitman Ball Joint Screw	15
*23429	—	Feed Wheel Driving Lever Pitman Cap	—
196F	4007	Feed Wheel Driving Lever Pitman Cap Screw	02
23427	4010	Feed Wheel Driving Lever Plate	25
404D	4007	" " " " " Screw (2)	02
1236E	4012	Feed Wheel Driving Lever Regulat- ing Stud	12
7070	4007	Feed Wheel Driving Lever Regulat- ing Stud Sleeve	10
1658A	4008	Feed Wheel Driving Lever Regulat- ing Stud Thumb Nut	15
1237C	4012	Feed Wheel Friction Ring Screw	10
1520E	4012	" " " " " " Nut	03
14017	4012	Feed Wheel Friction Ring Screw Washer	05
23552	4010	Feed Wheel Friction Ring Section (long)	45
23553	4010	Feed Wheel Friction Ring Section (short)	45
23554	4012	Feed Wheel Friction Ring Spring	10
23555	—	Feed Wheel Friction Ring complete, Nos. 23552 to 23554	1 00
2117	4012	Feed Wheel Pin	01
2254	4045	" " Retaining Clutch	20
39595	4045	" " " " Cap	10
898c	4045	" " " " " Screw	04
39504	4064	Feed Wheel Retaining Clutch Cap Screw Washer	01
2256	4045	Feed Wheel Retaining Clutch Spring	03
233D	4007	" " " " " Screw	02
721D	4045	Feed Wheel Retaining Clutch Spring Stop Screw	06
39596	4045	Feed Wheel Retaining Clutch Stud	25
23431	4010	" " Shaft	1 50
457c	4012	" " Oil Hole Plug Screw	02
23433	4010	Feed Wheel Tripping Lever	2 00

No.	Plate	Name	Each
1257C	4012	Feed Wheel Tripping Lever Hinge Screw	\$ 15
23587	4012	Feed Wheel Tripping Lever Point	25
203C	4003	" " " " " " Screw (2)	03
23435	4013	Feed Wheel Tripping Lever Spring	10
190D	4013	" " " " " " Screw	03
179E	4004	Feed Wheel Tripping Lever Stop Screw	03
23432	4012	Feed Wheel Tripping Post	40
220D	4012	" " " " " Screw	02
23445	—	Knife, $\frac{3}{8}$ inch	20
23446	—	" $\frac{1}{4}$ inch	20
23447	—	" $\frac{1}{2}$ inch	20
23448	—	" $\frac{5}{8}$ inch	20
23449	—	" $\frac{7}{8}$ inch	20
23450	—	" $1\frac{1}{8}$ inch	20
23451	4004	" $\frac{3}{4}$ inch	20
23460	4010	" Bar	80
23461	4015	" " Connecting Link	1 00
1239F	4015	" " " " Hinge Cap Screw	04
1240C	4015	Knife Bar Connecting Link Hinge Screw	05
23462	4015	Knife Bar Connecting Stud with 1319F	60
1319F	4015	" " " " Clamping Screw	04
23463	4015	Knife Bar Disengaging Lever	40
23464	4015	" " " " Catch with 1963	60
23465	4015	Knife Bar Disengaging Lever Catch Bracket	1 00
157D	4015	Knife Bar Disengaging Lever Catch Bracket Screw (2)	04
90c	4013	Knife Bar Disengaging Lever Catch Hinge Screw	05
1963	4015	Knife Bar Disengaging Lever Catch Roller and Stud	20
23468	4015	Knife Bar Disengaging Lever Catch Spring	05
1241E	4015	Knife Bar Disengaging Lever Catch Spring Screw Stud (2)	05
23466	4015	Knife Bar Disengaging Lever Catch Tripping Point	30
23467	4015	Knife Bar Disengaging Lever Catch Tripping Point Collar with two 448c	40

154 Parts for Machine No. 71-40			
No.	Plate	Name	Each
448c	4015	Knife Bar Disengaging Lever Catch Tripping Point Collar Set Screw	\$ 03
175D	4015	Knife Bar Disengaging Lever Catch Tripping Point Screw	02
90c	4013	Knife Bar Disengaging Lever Hinge Screw	05
23606	4015	Knife Bar Disengaging Lever Spring	10
1242E	4015	" " " " " " Screw (2)	05
240D	4003	Knife Bar Disengaging Lever Stop Screw	02
23469	4010	Knife Bar Driving Lever	1 25
1290c	4014	" " " " Hinge Screw	30
1428c	4014	" " " " Screw Stud	06
1520E	4012	" " " " " " " Nut	03
23681	4014	Knife Bar Driving Lever Spring	15
805c	4002	" " " " " " Screw	04
23470	4010	" " " " (intermediate)	2 00
23471	4014	Knife Bar Driving Lever (intermediate) Connecting Link	1 00
54c	4014	Knife Bar Driving Lever (intermediate) Connecting Link Hinge Screw	10
1222c	4014	Knife Bar Driving Lever (intermediate) Hinge Screw	15
1959	4014	Knife Bar Driving Lever (intermediate) Roller and Screw Stud with 229D and 12424	35
229D	4014	Knife Bar Driving Lever (intermediate) Roller Cap Screw	02
12424	4014	Knife Bar Driving Lever (intermediate) Roller Cap Screw Washer	02
23682	4014	Knife Bar Spring	05
39566	4014	" " Stop	1 15
39565	—	Knife Bar Stop complete, Nos. 1673c, 23548 and 39566	1 40
1673c	4014	Knife Bar Stop Lock Nut	20
23548	4014	" " " Plug (fibre)	02
23473	4014	" Holder	2 50
1243c	4014	" " Guide Stud	08
1608c	4014	" " " " Nut	05
157c	4015	" " Screw	04
1547c	4009	" " " Nut	03
191c	4022	" Screw	03
23390	4014	" " Washer	10
39600	4048	Needle Bar with 904F	80

Parts for Machine No. 71-40 155			
No.	Plate	Name	Each
23476	4016	Needle Bar Connecting Link with 794E	\$ 50
794E	4016	Needle Bar Connecting Link Adjusting Screw	05
1021E	4016	Needle Bar Connecting Link Cap Screw	06
39601	4001	Needle Bar Connecting Stud with 1341c	25
1341c	4004	Needle Bar Connecting Stud Set Screw	04
23477	4010	Needle Bar Crank with 858c, 1036c, 1065c and 1258c	80
1065c	4025	Needle Bar Crank Position Screw	10
858c	4002	" " " Set Screw	03
23478	4006	" " Frame with 4784	2 00
23674	4033	" " " Cam and Bevel Gear	3 00
1244c	4016	Needle Bar Frame Cam and Bevel Gear Screw	20
23486	4016	Needle Bar Frame Driving Bevel Pinion with two 453c	1 00
453c	4013	Needle Bar Frame Driving Bevel Pinion Set Screw	02
23610	—	Needle Bar Frame Pitman (hinge screw end)	65
23675	—	Needle Bar Frame Pitman (regulator end)	30
190c	4013	Needle Bar Frame Pitman Adjusting Screw	03
7071	4003	Needle Bar Frame Pitman Adjusting Screw Washer	01
23676	4033	Needle Bar Frame Pitman (adjustable) complete, Nos. 23610, 23675, two each 190c and 7071	1 00
1042F	4016	Needle Bar Frame Pitman Hinge Screw	06
1547D	4009	Needle Bar Frame Pitman Hinge Screw Nut	03
23677	4033	Needle Bar Frame Regulator with 1956	2 25
1038c	4004	Needle Bar Frame Regulator Adjusting Screw	10
7070	4007	Needle Bar Frame Regulator Adjusting Screw Sleeve	10
1589c	4003	Needle Bar Frame Regulator Adjusting Screw Thumb Nut	06
1956	4016	Needle Bar Frame Regulator Roller and Screw Stud with 229D, 1655E and 23389	35

No.	Plate	Name	Each
1655E	4002	Needle Bar Frame Regulator Roller and Screw Stud Nut	\$ 04
229D	4014	Needle Bar Frame Regulator Roller Cap Screw	02
23389	4016	Needle Bar Frame Regulator Roller Cap Screw Washer	02
23667	4016	Needle Bar Frame Regulator Stud..	75
673E	4016	" " " Screw Center	08
1517E	4016	" " " " " Nut..	04
39608	4060	" Plate	1 00
404D	4007	" " Screw (2)	02
904F	4004	" Set Screw	02
39653	4048	Oscillating Rock Shaft	1 00
39654	—	Oscillating Rock Shaft complete, Nos. 4784, 23494 and 39653	1 50
23494	4006	Oscillating Rock Shaft Hinge Pin with 23421	50
23421	4013	Oscillating Rock Shaft Hinge Pin Oil Hole Plug (leather) Per 100	50
448C	4015	Oscillating Rock Shaft Hinge Pin Set Screw	03
4784	4013	Oscillating Rock Shaft Oil Pad	01
39655	4051	" Shaft	50
39656	4023	" " Bushing (back)	40
24047	4013	" " " (front)	40
39657	—	" " Crank	50
39658	4023	Oscillating Shaft Crank complete, Nos. 1636E, 24050, 39657 and two 1253c	1 05
1253c	4023	Oscillating Shaft Crank Set Screw..	03
19448	4017	" " " Slide Block	25
229D	4014	" " " " " Cap Screw	02
12424	4014	Oscillating Shaft Crank Slide Block Cap Screw Washer	02
1035c	4017	Oscillating Shaft Crank Slide Block Screw Stud	15
1636E	4017	Oscillating Shaft Crank Slide Block Screw Stud Nut	03
24050	4017	Oscillating Shaft Crank Slide Block complete, Nos. 229D, 1035c, 12424 and 19448	50
23497	4019	Pulley (loose)	1 75
40024	4035	" (tight)	2 50
23499	4019	" " Counterbalance	20
28034	4020	" " " Rivet	01
40025	4004	" " Pin	01
23500	4017	Shuttle Bobbin	08
15140	4017	" " Case Latch	10

No.	Plate	Name	Each
2973	4017	Shuttle Bobbin Case Latch Lever	\$ 10
2974	4017	" " " " " Fulcrum Pin	10
15141	—	Shuttle Bobbin Case Hinge, Nos. 2973, 2974 and 15140	25
2975	4017	Shuttle Bobbin Case Latch Spring ..	02
592E	4017	" " " " " Stop Screw	02
39623	4050	Shuttle Bobbin Case Position Finger	10
2523	4017	" " " " " Rivet	Per 100 25
15628	4050	Shuttle Bobbin Case Thread Guide with two 2080	05
2080	4050	Shuttle Bobbin Case Thread Guide Rivet	01
39624	4050	Shuttle Bobbin Case complete, Nos. 591F, 592E, 2523, 2975, 15141, 15628, 39623 and 39625	75
23503	4017	Shuttle Body	75
591F	4017	" Tension Regulating Screw	02
39625	4050	" " Spring	10
39626	4050	" 1 1/4 in. diam., Nos. 23500, 23503 and 39624	1 50
23505	4017	Shuttle Driver with 462c	75
2269	4017	" " Pin	01
462c	4017	" Set Screw	02
14049	4018	" Race Back	40
2532	4018	" " " Position Pin.. Per 100	10
2533	4018	" " " Spring	12
648D	4018	" " " Screw	07
*23506	—	" " Body	—
39904	—	" " " 23506 with 7326 and two 662D	1 35
7326	4018	Shuttle Race Cap	15
662D	4018	" " " Screw	02
23621	4018	Shuttle Race complete, Nos. 648D, 2533, 14049, 39904 and two 2532..	1 95
145F	4018	Shuttle Race Screw (2)	04
39627	4053	Starting Lever	3 50
717c	4020	" " Adjusting Screw	08
1520E	4012	" " " " " Nut..	03
21643	4020	" " Belt Shifter	75
159F	4020	" " " " " Screw ...	03
23510	4019	" " Bracket	1 00
8582	4013	" " " Dowel Pin (2)..	02
123E	4020	" " " Screw	06
23511	4019	" " Rod	75
61c	4020	" " " Hinge Screw	06
564c	4020	" " " Screw Center (2) ...	12

No.	Plate	Name	Each
1508E	4020	Starting Lever Screw Center Nut (2)	\$ 06
14174	4020	" " Spring	08
124F	4002	" " Stop Screw	08
1518E	4002	" " " " Nut	04
39628	4059	Stop Cam with 39629	1 50
39580	4019	" " Interlocking Rod	50
23514	4020	" " " " Guide with 1070c and 1959	1 50
1070c	4020	Stop Cam Interlocking Rod Guide Set Screw	08
21650	4021	Stop Cam Interlocking Rod Guide Washer (rawhide)	02
21651	4021	Stop Cam Interlocking Rod Spring	10
913c	4021	" " " " " "	
		Regulating Thumb Screw	40
1638E	4021	Stop Cam Interlocking Rod Spring Regulating Thumb Screw Nut	12
39629	4059	Stop Cam Pin	15
23515	4021	" " Spring (long)	08
23516	4021	" " " (short)	05
23517	4019	" " " Cover with 23499, two each 9780 and 28034	25
9780	4021	Stop Cam Spring Cover Position Pin	01
997E	4021	" " " " " Screw (2)	05
39637	4021	" " " " Stop Block	30
1349c	4004	" " " " " Screw	04
39638	4021	" " " " " Block	30
457c	4012	" " " " " Set Screw	02
23518	4010	Stop Lever	75
78D	4004	" " Hinge Screw	06
9540	4021	" " Spring	02
32012	4052	Tension Disc (2)	10
1560c	4022	" Regulating Thumb Nut	04
39660	4052	" Releaser	10
1387c	4052	" " Guide Screw Stud	08
1521E	4003	" " " " " Nut	03
39632	4052	" " Holder with 201F	1 25
999F	4003	" " Hinge Screw	05
201F	4052	" " Set Screw	03
39633	4058	" Releasing Lever	1 00
39634	4058	" " " " Connection	80
974F	4058	" " " " " Screw (back)	06
940F	4058	Tension Releasing Lever Connection Screw (front)	06
90c	4013	Tension Releasing Lever Hinge Screw	05
413c	4022	Tension Screw Stud	10
2103	4022	" Spring	03

No.	Plate	Name	Each
39636	4052	Tension Thread Eyelet (double)	\$ 05
217F	4025	" " " " " Screw	03
40035	4058	Thread (lower) Cutting Blade	30
40036	4058	" " " " " Carrier with 40038	1 25
40037	4054	Thread (lower) Cutting Blade Carrier Lever	2 00
32c	4025	Thread (lower) Cutting Blade Carrier Lever Hinge Screw	10
39736	4058	Thread (lower) Cutting Blade Carrier Lever Spring	05
1241E	4015	Thread (lower) Cutting Blade Carrier Lever Spring Screw Stud (2)	05
435c	4058	Thread (lower) Cutting Blade Carrier Lever Stop Screw	04
1520E	4012	Thread (lower) Cutting Blade Carrier Lever Stop Screw Nut	03
40038	4058	Thread (lower) Cutting Blade Carrier Stud	15
39646	4058	Thread (lower) Cutting Blade Fric- tion Plate	25
228F	4058	Thread (lower) Cutting Blade Fric- tion Plate Screw	02
240D	4003	Thread (lower) Cutting Blade Screw (2)	02
40040	4054	Thread (lower) Cutting Lever	1 00
1351c	4060	" " " " " Ball Screw	10
1520E	4012	Thread (lower) Cutting Lever Ball Screw Nut	03
39921	—	Thread (lower) Cutting Lever Exten- sion	30
966D	4025	Thread (lower) Cutting Lever Exten- sion Screw	04
1671c	4009	Thread (lower) Cutting Lever Exten- sion Screw Nut	08
40039	4060	Thread (lower) Pull-off Finger	1 00
106c	4057	" " " " " Guide Screw	04
1350c	4060	Thread (lower) Pull-off Finger Hinge Screw	05
40048	4056	Thread (upper) Clamping Blade	20
39609	4056	" " Cutting Blade	20
33610	4057	" " " " " Connect- ing Rod	30
40043	4057	Thread (upper) Cutting Blade Con- necting Rod Collar (back) with 237F	15

160 Parts for Machine No. 71-40			
No.	Plate	Name	Each
237F	4056	Thread (upper) Cutting Blade Connecting Rod Collar (back) Set Screw	\$ 02
40044	4057	Thread (upper) Cutting Blade Connecting Rod Collar (front) with 237F	15
2273	4057	Thread (upper) Cutting Blade Connecting Rod Collar (front) Pin	01
237F	4056	Thread (upper) Cutting Blade Connecting Rod Collar (front) Set Screw	02
40045	4057	Thread (upper) Cutting Blade Connecting Rod Collar (front) Washer (rawhide) (2)	01
106c	4057	Thread (upper) Cutting Blade Connecting Rod Hinge Screw	04
23606	4015	Thread (upper) Cutting Blade Connecting Rod Spring	10
39611	4057	Thread (upper) Cutting Blade Connecting Rod Spring Bracket	50
203F	4003	Thread (upper) Cutting Blade Connecting Rod Spring Bracket Screw (2)	03
7071	4003	Thread (upper) Cutting Blade Connecting Rod Spring Bracket Screw Washer (2)	01
40047	4057	Thread (upper) Cutting Blade Connecting Rod Spring Collar with 646F	15
646F	4057	Thread (upper) Cutting Blade Connecting Rod Spring Collar Set Screw	02
21699	4056	Thread (upper) Cutting Blade Position Pin	Per 100
219F	4008	Thread (upper) Cutting Blade Screw	02
40049	4056	" " " " Shaft with 21699	25
40050	4056	Thread (upper) Cutting Blade Shaft Crank with 906c	30
2269	4017	Thread (upper) Cutting Blade Shaft Crank Pin	01
906c	4056	Thread (upper) Cutting Blade Shaft Crank Set Screw	02
40051	4054	Thread (upper) Cutting Lever with 641c	1 00
40052	4057	Thread (upper) Cutting Lever Lock Pin	10
1352c	4057	Thread (upper) Cutting Lever Lock Pin Screw Bushing	06

Parts for Machine No. 71-40 161			
No.	Plate	Name	Each
40053	4057	Thread (upper) Cutting Lever Lock Pin Spring	\$ 02
2117	4012	Thread (upper) Cutting Lever Pin	01
641c	4060	" " " " Set Screw	03
40054	4054	Thread (upper) Cutting Lever Shaft	75
40067	4054	" " " " Bracket	1 25
966D	4025	Thread (upper) Cutting Lever Shaft Bracket Screw (2)	04
39661	4052	Thread (upper) Cutting Lever Shaft Collar with 641c	25
12538	4060	Thread (upper) Cutting Lever Shaft Collar Pin	01
641c	4060	Thread (upper) Cutting Lever Shaft Collar Set Screw	03
39612	4057	Thread (upper) Cutting Lever Shaft Crank with two each 200F and 40059	1 00
40057	4057	Thread (upper) Cutting Lever Shaft Crank Latch	50
766D	4057	Thread (upper) Cutting Lever Shaft Crank Latch Hinge Screw	05
40058	4057	Thread (upper) Cutting Lever Shaft Crank Latch Spring	05
206F	4057	Thread (upper) Cutting Lever Shaft Crank Latch Spring Screw, for 39612	02
1144F	4057	Thread (upper) Cutting Lever Shaft Crank Latch Spring Screw, for 40057	04
40059	4057	Thread (upper) Cutting Lever Shaft Crank Latch Stop Pin	Per 100
200F	4022	Thread (upper) Cutting Lever Shaft Crank Set Screw	03
40060	4052	Thread (upper) Cutting Lever Spring	10
1241E	4015	" " " " " Screw Stud (2)	05
717C	4020	Thread (upper) Cutting Lever Stop Screw	08
1520E	4012	Thread (upper) Cutting Lever Stop Screw Nut	03
19159	4040	Thread Guide Body	30
19161	4040	" " Cap	10
19160	4040	" " Roller	10
905D	4040	" " Screw	04
19162	—	Thread Guide complete, Nos. 905D and 19159 to 19161	50

No.	Plate	Name	Each
12400	4022	Thread Retainer Sleeve	\$ 05
12401	4022	" " Spring	01
12402	4022	" " Stud	07
460c	4013	" " " Set Screw	02
12399	—	Thread Retainer complete, Nos. 12400 to 12402	15
23523	4023	Thread Take-up Crank	80
1036c	4023	" " " Position Screw ..	03
1258c	4023	" " " Set Screw	02
23524	4023	" " Lever	1 00
12166	4023	" " " Hinge Pin	05
23543	4023	" " " Link	40
11204	4023	" " " Hinge Pin ..	15
435c	4058	" " " " " Set Screw	04
23525	—	Thread Take-up Lever complete, Nos. 12166, 23524 and 23543	1 45
4784	4013	Thread Take-up Lever Oil Pad	01
39652	4009	" " Spring	03
23526	4022	" " " Regulator	25
446c	4025	" " " " Set Screw ..	03
23669	4022	" " " Thread Guard ..	10
460c	4013	" " " " " Set Screw	02

LIST OF PARTS COMPLETE

FOR

MACHINE No. 71-42

Makes Whip Stitch, Has No Barring Device, Knives from $\frac{3}{8}$
to $\frac{1}{2}$ in. Long. Cuts Both Threads and the Hole
Automatically After Stitching.

No.	Plate	Name	Each
*39644	—	Arm with 24081	\$ —
8582	4013	" Dowel Pin (2)	02
748E	4025	" Screw (back) (2)	08
868E	4025	" " (front) (2)	10
23352	4030	" Shaft	2 50
*24081	—	" Bushing (front)	—
12357	4000	" Flanged Bushing (back) ..	20
435c	4058	" " " " " Set Screw	04
4784	4013	Arm Shaft Oil Pad	01
1069D	4025	" " Screw	12
12193	4000	" Side Cover	10
286D	4024	" " " Thumb Screw	10
23671	4033	" Top Cover	25
808F	4025	" " " Screw (3)	03
*39603	—	Bed	—
39538	4032	" Oil Guard	75
1235F	4009	" " " Screw (2)	04
23567	4006	Clamp Arm	2 00
625F	4009	" " Adjusting Screw (2)	05
1547D	4009	" " " " Nut (2) ..	03
39584	4034	" " Bracket with 196F	1 00
40003	4041	" " " Guide (left)	20
217F	4025	" " " " " Screw (2)	03
40004	4041	Clamp Arm Bracket Guide (right)	20
217F	4025	" " " " " Screw (2)	03
191c	4022	Clamp Arm Bracket Screw (3)	03
39541	4040	" " " " Washer (3) ..	05
23379	4007	" " Hinge Block	1 00
23380	4007	" " " " Pin	05
196F	4007	" " " " " Set Screw ..	02
1231F	4007	" " " " " Screw (3)	02
40005	4051	" Carrier	3 00

No.	Plate	Name	Each
40006	4004	Clamp Carrier Block with four 404D	\$ 75
40007	4004	Clamp Carrier Block Plate	20
404D	4007	" " " " Screw	02
23384	4007	" " Connecting Rod	50
52c	4007	" " " " Hinge Screw	10
39591	4004	Clamp Carrier Guide (left)	25
756D	4004	" " " " Screw (long)	02
1345D	4059	Clamp Carrier Guide (left) Screw (short)	04
39645	4059	Clamp Carrier Guide (right)	25
1230F	4007	" " " " Screw (2)	03
39604	4055	" " Plate	2 00
1231F	4007	" " " " Screw (back) (2)	02
404D	4007	" " " " (front) (2)	02
40010	4035	" " Regulator with 240D, 1960 and 39583	2 50
1232c	4007	Clamp Arm Regulator Hinge Screw	12
1960	4007	" " " " Roller and Screw Stud with 1520E	35
1520E	4012	Clamp Arm Regulator Roller and Screw Stud Nut	03
39544	4012	Clamp Arm Regulator Slide	30
1347c	4009	" " " " Stud (to regulate length of buttonhole)	10
1671c	4009	Clamp Arm Regulator Stud Nut	08
39532	4009	" " " " Sleeve	10
39583	4004	" " " " Stop	10
240D	4003	" " " " " Screw	02
39605	4051	" " Slide with 1345D, 39591 and two 756D	4 35
23392	4008	Clamp Carrier Slide Guide (left)	40
914F	4008	" " " " " Screw (2)	04
23393	4008	Clamp Carrier Slide Guide (right)	40
914F	4008	" " " " " Screw (2)	04
23394	4005	Clamp Carrier Slide Lever with 1960	2 50
23395	4005	" " " " " Regulator	2 50
23396	4008	" " " " " Cap	20
223D	4008	Clamp Carrier Slide Lever Regulator Cap Screw (4)	02
67D	4008	Clamp Carrier Slide Lever Regulator Screw	12
1960	4007	Clamp Carrier Slide Lever Roller and Screw Stud with 1520E	35

No.	Plate	Name	Each
1520E	4012	Clamp Carrier Slide Lever Roller and Screw Stud Nut	\$ 03
7278	4008	Clamp Carrier Slide Lever Socket Joint	25
1234c	4008	Clamp Carrier Slide Regulating Stud	20
23397	4008	" " " " " Bushing	20
1658c	4008	Clamp Carrier Slide Regulating Stud Thumb Nut	15
1256D	4008	Clamp Carrier Slide Screw (2)	08
39606	4056	" Check with 39607, two each 237F and 1348c, for $\frac{3}{8}$ to $\frac{1}{2}$ in. buttonholes	3 50
39693	—	Clamp Check complete, for $\frac{3}{8}$ to $\frac{1}{2}$ in. buttonholes, Nos. 219F, 2269, 39606, 39609 and 40048 to 40050	4 50
1297F	4045	Clamp Check Screw (2)	04
39607	4056	" " Section and Cutting Plate	1 25
237F	4056	Clamp Check Section and Cutting Plate Screw	02
1348c	4056	Clamp Check Section and Cutting Plate Support Stud	02
40014	4054	Clamp Lifting Arm	50
40015	4059	" " " " Connection	1 00
41c	4059	" " " " " Hinge Screw	10
1520E	4012	Clamp Lifting Arm Connection Hinge Screw Nut	03
1901	4059	Clamp Lifting Arm Connection Roller and Screw Stud with 229D and 12424	35
40016	4059	Clamp Lifting Arm Connection Roller and Screw Stud Bracket	40
157F	4015	Clamp Lifting Arm Connection Roller and Screw Stud Bracket Screw	04
39541	4040	Clamp Lifting Arm Connection Roller and Screw Stud Bracket Screw Washer	05
229D	4014	Clamp Lifting Arm Connection Roller Cap Screw	02
12424	4014	Clamp Lifting Arm Connection Roller Cap Screw Washer	02
199D	4059	Clamp Lifting Arm Screw (2)	04
40017	4059	" " " " Stop	75
40018	4060	" " " " Bracket	75
162D	4025	" " " " " Screw (2)	04

Parts for Machine No. 71-42

No.	Plate	Name	Each
1248c	4003	Clamp Lifting Arm Stop Hinge Screw	\$ 08
1611e	4059	" " " " " "	
		Nut	03
40019	4054	Clamp Lifting Arm Stop Pitman	50
59D	4060	" " " " " Hinge	
		Screw (2)	07
40020	4055	Clamp Plate	1 25
1235f	4009	" " Screw (4)	04
23573	4005	" " Support	25
402D	4007	" " " Screw (2)	02
23574	4009	" Post	75
1659c	4009	" Pressure Regulating Thumb	
		Nut	10
23404	4009	Clamp Spring	15
23693	4009	" " Bushing	1 00
1294c	4009	" " " Position Stud	03
1550H	4009	" " " " Nut	03
24028	4000	Crank Connecting Rod with 24085	
		and two 896E	1 35
*24085	—	Crank Connecting Rod Cap	—
896E	4025	" " " " Screw	04
908c	4025	" " " " Hinge Screw	12
1619E	4025	" " " " " "	
		Nut	05
23406	4000	Face Plate	1 25
217F	4025	" " " Screw (2)	03
23672	4033	Feed Connecting Rod with 12204 and	
		two 145E	1 00
*12204	—	Feed Connecting Rod Cap	—
145E	4018	" " " " " Screw	04
375c	4025	" " " " " Hinge Screw	12
1518E	4002	" " " " " " "	
		Nut	04
23412	4013	Feed Eccentric with 448c	2 50
448c	4015	" " " Set Screw	03
23413	4000	" Hand Ratchet Lever with 214D	
		and 1049c	75
23414	4013	Feed Hand Ratchet Lever Collar with	
		two 453c	50
453c	4013	Feed Hand Ratchet Lever Collar Set	
		Screw	02
39567	—	Feed Hand Ratchet Lever Pawl Body	
		with 214D	50
39522	4000	Feed Hand Ratchet Lever Pawl complete,	
		Nos. 207c, 39523, 39567 and	
		two 1049c	75
90D	4013	Feed Hand Ratchet Lever Pawl	
		Hinge Screw	05

Parts for Machine No. 71-42

No.	Plate	Name	Each
39523	4012	Feed Hand Ratchet Lever Pawl	
		Point	\$ 25
1049c	4013	Feed Hand Ratchet Lever Pawl	
		Point Position Screw	02
207c	4012	Feed Hand Ratchet Lever Pawl	
		Point Screw	02
13218	4013	Feed Hand Ratchet Lever Pawl	
		Spring	05
214D	4013	Feed Hand Ratchet Lever Pawl	
		Spring Screw	03
1049c	4013	Feed Hand Ratchet Lever Pawl	
		Stop Screw	02
23416	4013	Feed Hand Ratchet Wheel with 460c	1 25
3012	4013	" " " " Pin	01
460c	4013	" " " " Set Screw	02
23418	4000	" Rock Shaft	1 50
23419	—	Feed Rock Shaft complete, Nos.	
		23418 and 23420	2 10
23420	4000	Feed Rock Shaft Hinge Pin with	
		23421	60
23421	4013	Feed Rock Shaft Hinge Pin Plug	
		(leather) Per 100	50
448c	4015	Feed Rock Shaft Hinge Pin Set Screw	03
39552	4042	" Wheel with 23432 and two 220D	6 00
150c	4012	" " Cap Screw	10
23424	4010	" " Driving Lever	3 00
39597	4045	" " " " Block with	
		602D and 39598 (2)	80
769c	4045	Feed Wheel Driving Lever Block Ad-	
		justing Screw	06
39594	4045	Feed Wheel Driving Lever Block Ad-	
		justing Screw Bracket with 769c,	
		898c and 39504 (2)	60
185H	4045	Feed Wheel Driving Lever Block Ad-	
		justing Screw Bracket Screw (4)	02
898c	4045	Feed Wheel Driving Lever Block Ad-	
		justing Screw Clamping Screw	04
39504	4064	Feed Wheel Driving Lever Block Ad-	
		justing Screw Clamping Screw	
		Washer	01
39598	4045	Feed Wheel Driving Lever Block	
		Lock Spring	03
602D	4045	Feed Wheel Driving Lever Block	
		Lock Spring Screw	02
23428	4012	Feed Wheel Driving Lever Pitman	
		with 23429, 50088c and two 196F	1 65
50088c	4072	Feed Wheel Driving Lever Pitman	
		Ball Joint Screw	15

Parts for Machine No. 71-42

No.	Plate	Name	Each
*23429	—	Feed Wheel Driving Lever Pitman Cap	\$ —
196F	4007	Feed Wheel Driving Lever Pitman Cap Screw	02
23427	4010	Feed Wheel Driving Lever Plate	25
404D	4007	“ “ “ “ “ “ Screw (2)	02
1236c	4012	Feed Wheel Driving Lever Regulating Stud	12
7070	4007	Feed Wheel Driving Lever Regulating Stud Sleeve	10
1658A	4008	Feed Wheel Driving Lever Regulating Stud Thumb Nut	15
1237c	4012	Feed Wheel Friction Ring Screw	10
1520E	4012	“ “ “ “ “ “ Nut	03
14017	4012	Feed Wheel Friction Ring Screw Washer	05
23552	4010	Feed Wheel Friction Ring Section (long)	45
23553	4010	Feed Wheel Friction Ring Section (short)	45
23554	4012	Feed Wheel Friction Ring Spring ..	10
23555	—	Feed Wheel Friction Ring complete, Nos. 23552 to 23555	1 00
2117	4012	Feed Wheel Pin	01
2254	4045	“ “ Retaining Clutch	20
39595	4045	“ “ “ “ Cap	10
898c	4045	“ “ “ “ “ “ Screw	04
39504	4064	Feed Wheel Retaining Clutch Cap Screw Washer	01
2256	4045	Feed Wheel Retaining Clutch Spring	03
233D	4007	“ “ “ “ “ “ Screw	02
721D	4045	Feed Wheel Retaining Clutch Spring Stop Screw	06
39596	4045	Feed Wheel Retaining Clutch Stud ..	25
23431	4010	“ “ Shaft	1 50
457c	4012	“ “ “ Oil Hole Plug Screw	02
23433	4010	“ “ Tripping Lever	2 00
1257c	4012	“ “ “ “ Hinge Screw	15
23587	4012	Feed Wheel Tripping Lever Point	25
203c	4003	“ “ “ “ “ “ Screw (2)	03
23435	4013	Feed Wheel Tripping Lever Spring	10
190D	4013	“ “ “ “ “ “ Screw	03

Parts for Machine No. 71-42

No.	Plate	Name	Each
179E	4004	Feed Wheel Tripping Lever Stop Screw	\$ 03
23432	4012	Feed Wheel Tripping Point	40
220D	4012	“ “ “ “ Screw ..	02
23445	—	Knife, $\frac{3}{8}$ inch	20
23446	—	“ $\frac{1}{2}$ inch	20
23447	—	“ $\frac{3}{4}$ inch	20
23448	—	“ $\frac{1}{2}$ inch	20
23449	—	“ $\frac{3}{8}$ inch	20
23450	—	“ $\frac{11}{16}$ inch	20
23451	4014	“ $\frac{3}{4}$ inch	20
23460	4010	“ Bar	80
23461	4015	“ “ Connecting Link	1 00
1239F	4015	“ “ “ “ Hinge Cap Screw	04
1240c	4015	Knife Bar Connecting Link Hinge Screw	05
23462	4015	Knife Bar Connecting Stud with 1319F	60
1319F	4015	Knife Bar Connecting Stud Clamping Screw	04
23463	4015	Knife Bar Disengaging Lever	40
23464	4015	“ “ “ “ Catch with 1963	60
23465	4015	Knife Bar Disengaging Lever Catch Bracket	1 00
157D	4015	Knife Bar Disengaging Lever Catch Bracket Screw (2)	04
90c	4013	Knife Bar Disengaging Lever Catch Hinge Screw	05
1963	4015	Knife Bar Disengaging Lever Catch Roller and Stud	20
23468	4015	Knife Bar Disengaging Lever Catch Spring	05
1241E	4015	Knife Bar Disengaging Lever Catch Spring Screw Stud (2)	05
23466	4015	Knife Bar Disengaging Lever Catch Tripping Point	30
23467	4015	Knife Bar Disengaging Lever Catch Tripping Point Collar with two 448c	40
448c	4015	Knife Bar Disengaging Lever Catch Tripping Point Collar Set Screw	03
175D	4015	Knife Bar Disengaging Lever Catch Tripping Point Screw	02
90c	4013	Knife Bar Disengaging Lever Hinge Screw	05
23606	4015	Knife Bar Disengaging Lever Spring	10

No.	Plate	Name	Each
1242E	4015	Knife Bar Disengaging Lever Spring Screw (2)	\$ 05
240D	4003	Knife Bar Disengaging Lever Stop Screw	02
23469	4010	Knife Bar Driving Lever	1 25
1290C	4014	" " " " Hinge Screw	30
1428C	4014	" " " " Screw Stud	06
1520E	4012	" " " " " " " " " " Nut	03
23681	4014	Knife Bar Driving Lever Spring	15
805C	4002	" " " " " " " " " " Screw	04
23470	4010	" " " " " " " " " " (intermediate)	2 00
33471	4014	Knife Bar Driving Lever intermediate Connecting Link	1 00
54C	4014	Knife Bar Driving Lever (intermediate) Connecting Link Hinge Screw	10
1222C	4014	Knife Bar Driving Lever (intermediate) Hinge Screw	15
1959	4014	Knife Bar Driving Lever (intermediate) Roller and Screw Stud with 229D and 12424	35
229D	4014	Knife Bar Driving Lever (intermediate) Roller Cap Screw	02
12424	4014	Knife Bar Driving Lever (intermediate) Roller Cap Screw Washer	02
23682	4014	Knife Bar Spring	05
39566	4014	" " Stop	1 15
39565	—	Knife Bar Stop complete, Nos. 1673C, 23548 and 39566	1 40
1673C	4014	Knife Bar Stop Lock Nut	20
23548	4014	" " " " Plug (fibre)	02
23473	4014	" " Holder	2 50
1243C	4014	" " Guide Stud	08
1608C	4014	" " " " Nut	05
157C	4015	" " " " Screw	04
1547C	4009	" " " " Nut	03
191C	4022	" Screw	03
23390	4014	" " Washer	10
39600	4048	Needle Bar with 904r	80
23476	4016	" " Connecting Link with 794E	50
794E	4016	Needle Bar Connecting Link Adjusting Screw	05
1021E	4016	Needle Bar Connecting Link Cap Screw	06
39601	4004	Needle Bar Connecting Stud with 1341c	25

No.	Plate	Name	Each
1341c	4004	Needle Bar Connecting Stud Set Screw	\$ 04
23477	4016	Needle Bar Crank with 858c, 1036c, 1065c and 1258c	80
1065c	4025	Needle Bar Crank Position Screw	10
858c	4002	" " " " Set Screw	03
23478	4006	" " " " Frame with 4784	2 00
23674	4033	" " " " Cam and Bevel Gear	3 00
1244c	4016	Needle Bar Frame Cam and Bevel Gear Screw	20
23486	4016	Needle Bar Frame Driving Bevel Pinion with two 453c	1 00
453c	4013	Needle Bar Frame Driving Bevel Pinion Set Screw	02
23610	—	Needle Bar Frame Pitman (hinge screw end)	65
23675	—	Needle Bar Frame Pitman (regulator end)	30
190c	4013	Needle Bar Frame Pitman Adjusting Screw	03
7071	4003	Needle Bar Frame Pitman Screw Washer	01
23676	4033	Needle Bar Frame Pitman (adjustable) complete, Nos. 23610, 23675, two each 190c and 7071	1 00
1042F	4016	Needle Bar Frame Pitman Hinge Screw	06
1547D	4009	Needle Bar Frame Pitman Hinge Screw Nut	03
23677	4033	Needle Bar Frame Regulator with 1956	2 25
1038c	4004	Needle Bar Frame Regulator Adjusting Screw	10
7070	4007	Needle Bar Frame Regulator Adjusting Screw Sleeve	10
1589C	4003	Needle Bar Frame Regulator Adjusting Screw Thumb Nut	06
1956	4016	Needle Bar Frame Regulator Roller and Screw Stud with 229D, 1655E and 23389	35
1655E	4002	Needle Bar Frame Regulator Roller and Screw Stud Nut	04
229D	4014	Needle Bar Frame Regulator Roller Cap Screw	02
23389	4016	Needle Bar Frame Regulator Roller Cap Screw Washer	02
23667	4016	Needle Bar Frame Regulator Stud	75
673E	4016	" " " " Screw Center	08

No.	Plate	Name	Each
1517E	4016	Needle Bar Frame Screw Center Nut	\$ 04
39608	4060	" Plate	1 00
404D	4007	" Screw (2)	02
904F	4004	" Set Screw	02
39653	4048	Oscillating Rock Shaft	1 00
39654	—	Oscillating Rock Shaft complete, Nos. 4784, 23494 and 39653	1 50
23494	4006	Oscillating Rock Shaft Hinge Pin with 23421	50
23421	4013	Oscillating Rock Shaft Hinge Pin Oil Hole Plug (leather) Per 100	50
448C	4015	Oscillating Rock Shaft Hinge Pin Set Screw	03
4784	4013	Oscillating Rock Shaft Oil Pad	01
39655	4051	" Shaft	50
39656	4023	" " Bushing (back)	40
24047	4013	" " " (front)	40
39657	—	" " Crank	50
39658	4023	Oscillating Shaft Crank complete, Nos. 1636E, 24050, 39657 and two 1253c	1 05
1253C	4023	Oscillating Shaft Crank Set Screw	03
19448	4017	" " " Slide Block	35
229D	4014	" " " " "	02
12424	4014	Oscillating Shaft Crank Slide Block Cap Screw Washer	02
1035C	4017	Oscillating Shaft Crank Slide Block Screw Stud	15
1636E	4017	Oscillating Shaft Crank Slide Block Screw Stud Nut	03
24050	4017	Oscillating Shaft Crank Slide Block complete, Nos. 229D, 1035C, 12424 and 19448	50
23497	4019	Pulley (loose)	1 75
40024	4035	" (tight)	2 50
23499	4019	" " Counterbalance	20
28034	4020	" " " Rivet	01
40025	4004	" " " Pin	01
23500	4017	Shuttle Bobbin	08
15140	4017	" " Case Latch	10
2973	4017	" " " Lever	10
2974	4017	" " " " Ful- crum Pin Per 100	10
15141	—	Shuttle Bobbin Case Hinge, Nos. 2973, 2974 and 15140	25
2975	4017	Shuttle Bobbin Case Latch Spring	02
592E	4017	" " " Stop Screw	02
40026	4065	" " " Position Finger	05

No.	Plate	Name	Each
2523	4017	Shuttle Bobbin Case Position Finger Rivet	Per 100 \$ 25
40027	4065	Shuttle Bobbin Case complete, Nos. 591F, 592E, 2523, 2975, 15141, 23680 and 40026	75
40028	4065	Shuttle Body	75
591F	4017	" Tension Regulating Screw	02
23680	4017	" " Spring	10
40029	4065	" 1 1/8 in. diam., Nos. 23500, 40027 and 40028	1 50
23505	4017	Shuttle Driver with 462c	75
2269	4017	" " Pin	01
462C	4017	" " Set Screw	02
14049	4018	" Race Back	40
2532	4018	" " " Position Pin Per 100	10
2533	4018	" " " Spring	12
648D	4018	" " " Screw	07
*23506	—	" " Body	—
39904	—	" " " 23506 with 7326 and two 662D	1 35
7326	4018	Shuttle Race Cap	15
662D	4018	" " " Screw	02
23621	4018	Shuttle Race complete, Nos. 648D, 2533, 14049, 39904 and two 2532	1 95
145F	4018	Shuttle Race Screw (2)	04
39627	4053	Starting Lever	3 50
717C	4020	" " Adjusting Screw	08
1520E	4012	" " " " Nut	03
21643	4020	" " Belt Shifter	75
159F	4020	" " " " Screw	03
23510	4019	" " Bracket	1 00
8582	4013	" " " Dowel Pin (2)	02
123E	4020	" " " Screw	06
23511	4019	" " Rod	75
61C	4020	" " " Hinge Screw	06
564C	4020	" " " Screw Center (2)	12
1508E	4020	" " " " Nut (2)	06
14174	4020	" " Spring	08
124F	4002	" " Stop Screw	08
1518E	4002	" " " " Nut	04
39628	4059	Stop Cam with 39629	1 50
39580	4019	" " Interlocking Rod	50
23514	4020	" " " " Guide with 1070C and 1959	1 50
1070C	4020	Stop Cam Interlocking Rod Guide Set Screw	08
21650	4021	Stop Cam Interlocking Rod Guide Washer (rawhide)	02
21651	4021	Stop Cam Interlocking Rod Spring	10

No.	Plate	Name	Each
913c	4021	Stop Cam Interlocking Rod Spring	
		Regulating Thumb Screw	\$ 40
1638E	4021	Stop Cam Interlocking Rod Spring	
		Regulating Thumb Screw Nut ..	12
39629	4059	Stop Cam Pin	15
23515	4021	" " Spring (long)	08
23516	4021	" " " (short)	05
23517	4019	" " " Cover with 23499,	
		two each 9780 and 28034	25
9780	4021	Stop Cam Spring Cover Position Pin	01
997E	4021	" " " " Screw (2) ..	05
39637	4021	" " " " Stop Block	30
1349c	4004	" " " " " Screw	04
39638	4021	" " " " " Block ...	30
457c	401L	" " " " " Set Screw	02
23518	4010	" Lever	75
78D	4004	" " Hinge Screw	06
9540	4021	" " Spring	02
2102	4022	Tension Disc (2)	05
1560c	4022	" Regulating Thumb Nut	04
23519	4022	" Releaser with 200r	30
40033	4054	" " Arm with 641c	1 25
12538	4060	" " " Pin	01
641c	4060	" " " Set Screw	03
200F	4022	" " Set Screw	03
23520	4022	" " Shaft	10
40034	4060	" " " Crank	75
679c	4060	" " " " Ball Screw	
		Stud	12
1520E	4012	Tension Releaser Shaft Crank Ball	
		Screw Stud Nut	03
2269	4017	Tension Releaser Shaft Crank Pin ..	01
413F	4022	" Screw Stud	10
8238	4052	" Spring	05
40035	4058	Thread (lower) Cutting Blade	30
40036	4058	" " " " " Carrier	
		with 40038	1 25
40037	4054	Thread (lower) Cutting Blade Carrier	
		Lever	2 00
32c	4025	Thread (lower) Cutting Blade Carrier	
		Lever Hinge Screw	10
39736	4058	Thread (lower) Cutting Blade Carrier	
		Lever Spring	05
1241E	4015	Thread (lower) Cutting Blade Carrier	
		Lever Spring Screw Stud (2) ..	05
435c	4058	Thread (lower) Cutting Blade Carrier	
		Lever Stop Screw	04
1520E	4012	Thread (lower) Cutting Blade Carrier	
		Lever Stop Screw Nut	03

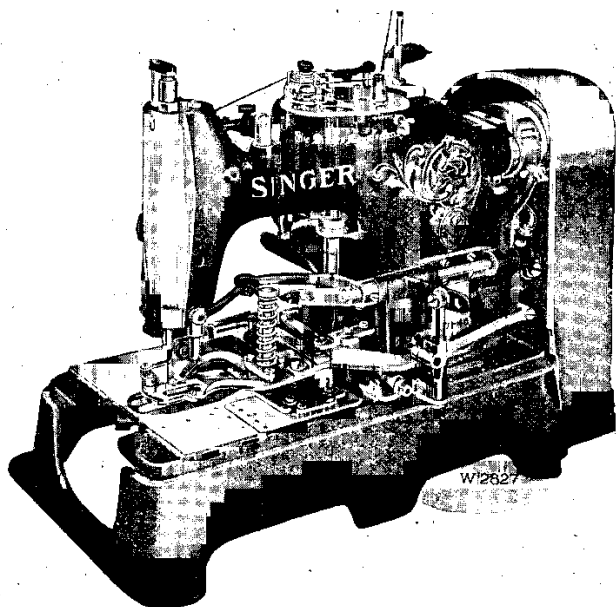
No.	Plate	Name	Each
40038	4058	Thread (lower) Cutting Blade Carrier	
		Stud	\$ 15
39646	4058	Thread (lower) Cutting Blade Fric-	
		tion Plate	25
228r	4058	Thread (lower) Cutting Blade Fric-	
		tion Plate Screw	02
240D	4003	Thread (lower) Cutting Blade Screw	
		(2)	02
40040	4054	Thread (lower) Cutting Lever	1 00
1351c	4060	" " " " " Ball	
		Screw	10
1520E	4012	Thread (lower) Cutting Lever Ball	
		Screw Nut	03
39921	—	Thread (lower) Cutting Lever Exten-	
		sion	30
966D	4025	Thread (lower) Cutting Lever Exten-	
		sion Screw	04
1671c	4009	Thread (lower) Cutting Lever Exten-	
		sion Screw Nut	08
40039	4060	Thread (lower) Pull-off Finger	1 00
106c	4057	" " " " " Guide	
		Screw	04
1350c	4060	Thread (lower) Pull-off Finger Hinge	
		Screw	05
40048	4056	Thread (upper) Clamping Blade	20
39609	4056	" " Cutting Blade	20
39610	4057	" " " " " Connect-	
		ing Rod	30
40043	4057	Thread (upper) Cutting Blade Connect-	
		ing Rod Collar (back) with	
		237F	15
237F	4056	Thread (upper) Cutting Blade Connect-	
		ing Rod Collar (back) Set	
		Screw	02
40044	4057	Thread (upper) Cutting Blade Connect-	
		ing Rod Collar (front) with	
		237F	15
2273	4057	Thread (upper) Cutting Blade Connect-	
		ing Rod (front) Pin	01
237F	4056	Thread (upper) Cutting Blade Connect-	
		ing Rod (front) Set Screw ..	02
40045	4057	Thread (upper) Cutting Blade Connect-	
		ing Rod Collar (front) Washer	
		(rawhide) (2)	01
106c	4057	Thread (upper) Cutting Blade Connect-	
		ing Rod Hinge Screw	04
23606	4015	Thread (upper) Cutting Blade Connect-	
		ing Rod Spring	10

No.	Plate	Name	Each
39611	4057	Thread (upper) Cutting Blade Connecting Rod Spring Bracket	\$ 50
203F	4003	Thread (upper) Cutting Blade Connecting Rod Spring Bracket Screw (2)	03
7071	4003	Thread (upper) Cutting Blade Connecting Rod Spring Bracket Screw Washer (2)	01
40047	4057	Thread (upper) Cutting Blade Connecting Rod Spring Collar with 646F	15
646F	4057	Thread (upper) Cutting Blade Connecting Rod Spring Collar Set Screw	02
21699	4056	Thread (upper) Cutting Blade Position Pin Per 100	10
219F	4008	Thread (upper) Cutting Blade Screw	02
40049	4056	" " " Shaft with 21699	25
40050	4056	Thread (upper) Cutting Blade Shaft Crank with 906c	30
2269	4017	Thread (upper) Cutting Blade Shaft Crank Pin	01
906c	4056	Thread (upper) Cutting Blade Shaft Crank Set Screw	02
40051	4054	Thread (upper) Cutting Lever with 641c	1 00
40052	4057	Thread (upper) Cutting Lever Lock Pin	10
1352c	4057	Thread (upper) Cutting Lever Lock Pin Screw Bushing	06
40053	4057	Thread (upper) Cutting Lever Lock Pin Spring	02
2117	4012	Thread (upper) Cutting Lever Pin	01
641c	4060	" " " " Set Screw	03
40054	4054	Thread (upper) Cutting Lever Shaft	75
40067	4054	" " " " Bracket	1 25
966D	4025	Thread (upper) Cutting Lever Shaft Bracket Screw (4)	04
39612	4057	Thread (upper) Cutting Lever Shaft Crank with two each 200F and 40059	1 00
40057	4057	Thread (upper) Cutting Lever Shaft Crank Latch	50
766D	4057	Thread (upper) Cutting Lever Shaft Crank Latch Hinge Screw	05

No.	Plate	Name	Each
40058	4057	Thread (upper) Cutting Lever Shaft Crank Latch Spring	\$ 05
206F	4057	Thread (upper) Cutting Lever Shaft Crank Latch Spring Screw, for 39612	02
1144F	4057	Thread (upper) Cutting Lever Shaft Crank Latch Spring Screw, for 40057	04
40059	4057	Thread (upper) Cutting Lever Shaft Crank Latch Stop Pin Per 100	10
200F	4022	Thread (upper) Cutting Lever Shaft Crank Set Screw	03
40060	4052	Thread (upper) Cutting Lever Spring	10
1241E	4015	" " " " Screw Stud (2)	05
717c	4020	Thread (upper) Cutting Lever Stop Screw	08
1520E	4012	Thread (upper) Cutting Lever Stop Screw Nut	03
12400	4022	Thread Retainer Sleeve	05
12401	4022	" " Spring	01
12402	4022	" " Stud	07
460c	4013	" " " Set Screw	02
12399	—	Thread Retainer complete, Nos. 12400 to 12402	15
23523	4023	Thread Take-up Crank	80
1036c	4023	" " " Position Screw	03
1258c	4023	" " " Set Screw	02
23524	4023	" " Lever	1 00
12166	4023	" " " Hinge Pin	05
23543	4023	" " " Link	40
11204	4023	" " " " Hinge Pin	15
435c	4058	" " " " " " Set Screw	04
23525	—	Thread Take-up Lever complete, Nos. 12166, 23524 and 23543	1 45
4784	4013	Thread Take-up Lever Oil Pad	01
7335	4022	" " Spring	03
23526	4022	" " " Regulator	25
446c	4025	" " " " Set Screw	03
23669	4022	Thread Take-up Spring Thread Guard	10
460c	4013	" " " " " " Set Screw	02

LIST OF PARTS COMPLETE

FOR



MACHINE No. 71-45

Makes Purl Stitch, Barred Ends, Knives from $\frac{1}{8}$ to $\frac{3}{4}$ in.
 Long. Cuts Both Threads and the Hole
 Automatically After Stitching

No.	Plate	Name	Each
*39602	—	Arm with 24081	\$ —
8582	4013	" Dowel Pin (2)	02
748E	4025	" Screw (back) (2)	08
868E	4025	" " (front) (2)	10
23352	4030	" Shaft	2 50
*24081	—	" " Bushing (front)	—
12357	4000	" " Flanged Bushing (back)	20
435C	4058	" " " "	—
		Set Screw	04
4784	4013	Arm Shaft Oil Pad	01
1069D	4025	" " Screw	12

Parts for Machine No. 71-45

179

No.	Plate	Name	Each
39620	4051	Arm Side Cover	\$ 12
190D	4013	" " " Screw	03
39621	4051	" Top Cover	1 00
808F	4025	" " " Screw (3)	03
23562	4002	Barring Cam with two 858c	2 50
858c	4002	" " Set Screw	03
39844	4074	" Indicator	35
1228c	4003	" " Stud	08
1589c	4003	" " " Thumb Nut	06
23563	4002	" Lever	2 50
23564	4002	" " Catch with 1226c	1 25
1276c	4002	" " " Hinge Screw	12
1226c	4002	" " " Position Stud	04
23565	4002	" " " Spring	10
805c	4002	" " " " Screw	04
8905	4002	" " " " " Washer	01
39616	4004	" " " Stud	25
39617	4004	" " " " Rivet (long)	01
39618	4004	" " " " " (short)	01
1227c	4002	" " Hinge Screw	10
1655E	4002	" " " " Nut	04
23566	4002	" " Spring	10
124F	4002	" " Stop Screw	08
1518E	4002	" " " " Nut	04
23361	4003	" Ratchet Pawl	1 25
1248c	4003	" " " Hinge Screw ..	08
23362	4003	" " " Spring	05
93H	4003	" " " " Screw	04
15072	4003	" " " " Stop Pin	—
	 Per 100	10
23544	4003	Barring Ratchet Retaining Pawl (hinge screw end)	40
23545	4003	Barring Ratchet Retaining Pawl (wheel end)	50
203C	4003	Barring Ratchet Retaining Pawl Ad- justing Screw	03
23546	—	Barring Ratchet Retaining Pawl (ad- justable) complete, Nos. 203c, 23544 and 23545	90
999C	4003	Barring Ratchet Retaining Pawl Hinge Screw	05
23364	4003	Barring Ratchet Retaining Pawl Spring	05
240D	4003	Barring Ratchet Retaining Pawl Spring Screw	02
23664	4003	Barring Ratchet Wheel	1 50
23665	4003	" " " Spring	05
1286c	4003	" " " " Screw	06
23666	4003	" " " " Washer	01

No.	Plate	Name	Each
23367	4003	Barring Ratchet Wheel Tripping Point	\$ 70
193F	4003	" " " " " "	
		Screw	03
7071	4003	Barring Ratchet Wheel Tripping Point Screw Washer	01
23370	4003	Barring Tripping Lever	80
856C	4003	" " " Hinge Screw	05
*39836	—	Bed	—
39538	4032	" Oil Guard	75
1235F	4009	" " " Screw (2)	04
23567	4006	Clamp Arm	2 00
625F	4009	" " Adjusting Screw (2)	05
1547D	4009	" " " " Nut (2)	03
39584	4034	" " Bracket with 196F	1 00
40003	4041	" " " Guide (left)	20
217F	4025	" " " " Screw (2)	03
40004	4041	Clamp Arm Bracket Guide (right)	20
217F	4025	" " " " " " Screw (2)	03
191C	4022	Clamp Arm Bracket Screw (3)	03
39541	4040	" " " " " Washer (3)	05
23379	4007	Clamp Arm Hinge Block	1 00
23380	4007	" " " " " Pin	05
196F	4007	" " " " " Set Screw	02
1231F	4007	Clamp Arm Screw (3)	02
40005	4051	" Carrier	3 00
40006	4004	" " Block with 40007 and four 404D	75
40007	4004	Clamp Carrier Plate	20
404D	4007	" " " Screw	02
23384	4007	" " Connecting Rod	50
52C	4007	" " " " Hinge Screw	10
39591	4004	Clamp Carrier Guide (left)	25
756D	4004	" " " " " Screw (long)	02
1345D	4059	Clamp Carrier Guide (left) Screw (short)	04
39645	4059	Clamp Carrier Guide (right)	25
1230F	4007	" " " " " Screw (2)	03
39604	4055	" " Plate	2 00
1231F	4007	" " " " " Screw (back)	02
404D	4007	" " " " " (front)	02
40010	4035	" " Regulator with 240D, 1960 and 39583	2 50

No.	Plate	Name	Each
1232C	4007	Clamp Carrier Regulator Hinge Screw	\$ 12
1960	4007	Clamp Carrier Regulator Roller and Screw Stud with 1520E	35
1520E	4012	Clamp Carrier Regulator Roller and Screw Stud Nut	03
39544	4012	Clamp Carrier Regulator Slide	30
201210C	4102	" " " Stud (to regulate length of buttonhole)	10
1671C	4009	Clamp Carrier Regulator Stud Nut	08
39532	4009	" " " " " Sleeve	10
39583	4004	" " " " " Stop Screw	10
240D	4003	" " " " " " "	02
39605	4051	Clamp Carrier Slide with 1345D, 39591 and two 756D	4 35
23392	4008	Clamp Carrier Slide Guide (left)	40
914F	4008	" " " " " " Screw (2)	04
23393	4008	Clamp Carrier Slide Guide (right)	40
914F	4008	" " " " " " Screw (2)	04
23394	4005	Clamp Carrier Slide Lever	2 50
23395	4005	" " " " " Regulator	2 50
23396	4008	" " " " " " " Cap	20
223D	4008	Clamp Carrier Slide Lever Regulator Cap Screw (4)	02
67D	4008	Clamp Carrier Slide Lever Regulator Screw	12
1960	4007	Clamp Carrier Slide Lever Roller and Screw Stud with 1520E	35
1520E	4012	Clamp Carrier Slide Lever Roller and Screw Stud Nut	03
7278	4008	Clamp Carrier Slide Lever Socket Joint	25
1234C	4008	Clamp Carrier Slide Regulating Stud	20
23397	4008	" " " " " " " Bushing	20
1658C	4008	Clamp Carrier Slide Regulating Stud Thumb Nut	15
1256D	4008	Clamp Carrier Slide Screw (2)	08
39606	4056	" Check with 39607, two each 237F and 1348C, for $\frac{3}{8}$ to $\frac{3}{4}$ in. buttonholes	3 50
39693	—	Clamp Check complete, for $\frac{3}{8}$ to $\frac{3}{4}$ in. buttonholes, Nos. 219F, 2269, 39606, 39609 and 40048 to 40050	4 50

No.	Plate	Name	Each
1297F	4045	Clamp Check Screw (2)	\$ 04
39607	4045	" " Section and Cutting Plate	1 25
237F	4056	Clamp Check Section and Cutting Plate Screw	02
1348c	4056	Clamp Check Section and Cutting Plate Support Stud	02
39753	4078	Clamp Lifting Arm	60
40015	4059	" " " Connection	1 00
41c	4059	" " " " Hinge Screw	10
1520E	4012	Clamp Lifting Arm Connection Hinge Screw Nut	03
1901	4059	Clamp Lifting Arm Connection Roller and Screw Stud with 229D and 12424	35
40016	4059	Clamp Lifting Arm Connection Roller and Screw Stud Bracket	40
157F	4015	Clamp Lifting Arm Connection Roller and Screw Stud Bracket Screw	04
39541	4040	Clamp Lifting Arm Connection Roller and Screw Stud Bracket Screw Washer	05
229D	4014	Clamp Lifting Arm Connection Roller Cap Screw	02
12424	4014	Clamp Lifting Arm Connection Roller Cap Screw Washer	02
199D	4059	Clamp Lifting Arm Screw (2)	04
40017	4059	" " " Stop	75
40018	4060	" " " " Bracket	75
162D	4025	" " " " " " Screw (2)	04
1248c	4003	Clamp Lifting Arm Stop Hinge Screw	08
1611	4059	Clamp Lifting Arm Stop Hinge Screw Nut	03
40019	4054	Clamp Lifting Arm Stop Pitman	50
59D	4060	" " " " " Hinge Screw (2)	07
40020	4055	Clamp Plate	1 25
1235F	4009	" " Screw (4)	04
23573	4005	" " Support	25
402D	4007	" " " Screw (2)	02
23574	4009	" Post	75
1659c	4009	" Pressure Regulating Thumb Nut	10
23404	4009	" Spring	15
23693	4009	" " Bushing	1 00
1294c	4009	" " " Position Stud	03
1550H	4009	" " " " " Nut	03

No.	Plate	Name	Each
24028	4000	Crank Connecting Rod with 24085 and two 896E	\$1 35
*24085	—	Crank Connecting Rod Cap	—
896E	4025	" " " " Screw ..	04
908c	4025	" " " Hinge Screw ..	12
1619E	4025	" " " " " " Nut	05
23406	4000	Face Plate	1 25
217F	4025	" " Screw (2)	03
23407	4001	Feed Connecting Rod (lower)	2 50
375c	4025	" " " " Hinge Screw	12
1538E	4002	Feed Connecting Rod (lower) Hinge Screw Nut	04
23408	4001	Feed Connecting Rod (upper) with 12204 and two 966E	1 50
*12204	—	Feed Connecting Rod (upper) Cap ..	—
966E	4025	" " " " " " Screw	04
39750	—	Feed Disengaging Lever	4 00
1275c	4003	" " " Hinge Screw ..	10
1521E	4003	" " " " " " Nut	03
1998	4102	Feed Disengaging Lever Roller and Stud	35
200F	4022	Feed Disengaging Lever Roller and Stud Set Screw	03
23557	4001	Feed Disengaging Lever Spring	10
39752	4070	Feed Disengaging Lever complete, Nos. 200F, 1998 and 39750	4 50
23412	4013	Feed Eccentric with 448c	2 50
448c	4015	" " Set Screw	03
23413	4000	" Hand Ratchet Lever with 214D and 1049c	75
23414	4013	Feed Hand Ratchet Lever Collar with two 453c	50
453c	4013	Feed Hand Ratchet Lever Collar Set Screw	02
39567	—	Feed Hand Ratchet Lever Pawl Body with 214D	50
39522	4000	Feed Hand Ratchet Lever Pawl com- plete, Nos. 207c, 39523, 39567 and two 1049c	75
90D	4013	Feed Hand Ratchet Lever Pawl Hinge Screw	05
39523	4012	Feed Hand Ratchet Lever Pawl Point	25
1049c	4013	Feed Hand Ratchet Lever Pawl Point Position Screw	02

No.	Plate	Name	Each
207c	4012	Feed Hand Ratchet Lever Pawl Point Screw	\$ 02
13218	4013	Feed Hand Ratchet Lever Pawl Spring	05
214D	4013	Feed Hand Ratchet Lever Pawl Spring Screw	03
1049c	4013	Feed Hand Ratchet Lever Pawl Stop Screw	02
23416	4013	Feed Hand Ratchet Wheel with 460c	1 25
3012	4013	" " " " Pin	01
460c	4013	" " " " Set Screw	02
23418	4000	" Rock Shaft	1 50
23419	—	Feed Rock Shaft complete, Nos. 23418 and 23420	2 10
23420	4000	Feed Rock Shaft Hinge Pin with 23421	60
23421	4013	Feed Rock Shaft Hinge Pin Plug (leather) Per 100	50
448c	4015	Feed Rock Shaft Hinge Pin Set Screw	03
23422	4013	Feed Rock Shaft Spring	15
39590	4004	" " " " Plate	02
181D	4013	" " " " Screw	04
39749	—	" Wheel with 23432 and two 220D, for short buttonhole with coarse stitch	6 00
150c	4012	Feed Wheel Cap Screw	10
23424	4010	" " Driving Lever	3 00
39597	4045	" " " " Block with 602D and 39598	80
769c	4045	Feed Wheel Driving Lever Block Adjusting Screw	06
39594	4045	Feed Wheel Driving Lever Block Adjusting Screw Bracket with 769c, 898c and 39504 (2)	60
185H	4045	Feed Wheel Driving Lever Block Adjusting Screw Bracket Screw (4)	02
898c	4045	Feed Wheel Driving Lever Block Adjusting Screw Clamping Screw	04
39504	4064	Feed Wheel Driving Lever Block Adjusting Screw Clamping Screw Washer	01
39598	4045	Feed Wheel Driving Lever Block Lock Spring	03
602D	4045	Feed Wheel Driving Lever Block Lock Spring Screw	02
23428	4012	Feed Wheel Driving Lever Pitman with 23429, 50088c and two 196F	1 65

No.	Plate	Name	Each
50088c	4072	Feed Wheel Driving Lever Pitman Ball Joint Screw	\$ 15
*23429	—	Feed Wheel Driving Lever Pitman Cap	—
196F	4007	Feed Wheel Driving Lever Pitman Cap Screw	02
23427	4010	Feed Wheel Driving Lever Plate	25
404D	4007	" " " " " " Screw (2)	02
1236c	4012	Feed Wheel Driving Lever Regulating Stud	12
7070	4007	Feed Wheel Driving Lever Regulating Stud Sleeve	10
1658A	4008	Feed Wheel Driving Lever Regulating Stud Thumb Nut	15
1237c	4012	Feed Wheel Friction Ring Screw	10
1520E	4012	" " " " " " Nut	03
14017	4012	Feed Wheel Friction Ring Screw Washer	05
23552	4010	Feed Wheel Friction Ring Section (long)	45
23553	4010	Feed Wheel Friction Ring Section (short)	45
23554	4012	Feed Wheel Friction Ring Spring	10
23555	—	Feed Wheel Friction Ring complete, Nos. 23552 to 23554	1 00
2117	4012	Feed Wheel Pin	01
2254	4045	" " Retaining Clutch	20
39595	4045	" " " " " Cap	10
898c	4045	" " " " " " Screw	04
39504	4064	Feed Wheel Retaining Clutch Cap Screw Washer	01
2256	4045	Feed Wheel Retaining Clutch Spring	03
233D	4007	" " " " " " Screw	02
721D	4045	Feed Wheel Retaining Clutch Spring Stop Screw	06
39596	4045	Feed Wheel Retaining Clutch Stud	25
23431	4010	" " Shaft	1 50
457c	4012	" " " " Oil Hole Plug Screw	02
23433	4010	Feed Wheel Tripping Lever	2 00
1257c	4012	" " " " Hinge Screw	15
23587	4012	Feed Wheel Tripping Lever Point	25
203c	4003	" " " " " " Screw (2)	03

No.	Plate	Name	Each
23435	4013	Feed Wheel Tripping Lever Spring	\$ 10
190D	4013	" " " " " "	
		Screw	03
179E	4004	Feed Wheel Tripping Lever Stop	
		Screw	03
23432	4012	Feed Wheel Tripping Point	40
220D	4012	" " " " " Screw ..	02
39834	—	Knife, $\frac{3}{16}$ inch	20
23443	—	" $\frac{1}{4}$ inch	20
23444	—	" $\frac{1}{8}$ inch	20
23445	—	" $\frac{3}{8}$ inch	20
23446	—	" $\frac{7}{16}$ inch	20
23447	—	" $\frac{1}{2}$ inch	20
23448	—	" $\frac{5}{8}$ inch	20
23449	—	" $\frac{3}{4}$ inch	20
23450	—	" $\frac{7}{8}$ inch	20
23451	4014	" $\frac{1}{2}$ inch	20
23460	4010	" Bar	80
23461	4015	" " Connecting Link	1 00
1239F	4015	" " " " " Hinge	
		Cap Screw	04
1240C	4015	Knife Bar Connecting Link Hinge	
		Screw	05
23462	4015	Knife Bar Connecting Stud with	
		1319F	60
1319F	4015	Knife Bar Connecting Stud Clamping	
		Screw	04
23463	4015	Knife Bar Disengaging Lever	40
23464	4015	" " " " " Catch	
		with 1963	60
23465	4015	Knife Bar Disengaging Lever Catch	
		Bracket	1 00
157D	4015	Knife Bar Disengaging Lever Catch	
		Bracket Screw (2)	04
90C	4013	Knife Bar Disengaging Lever Catch	
		Hinge Screw	05
1963	4015	Knife Bar Disengaging Lever Catch	
		Roller and Stud	20
23468	4015	Knife Bar Disengaging Lever Catch	
		Spring	05
1241E	4015	Knife Bar Disengaging Lever Catch	
		Spring Screw Stud (2)	05
23466	4015	Knife Bar Disengaging Lever Catch	
		Tripping Point	30
23467	4015	Knife Bar Disengaging Lever Catch	
		Tripping Point Collar with two	
		448C	40
448C	4015	Knife Bar Disengaging Lever Catch	
		Tripping Point Collar Set Screw	03

No.	Plate	Name	Each
175D	4015	Knife Bar Disengaging Lever Catch	
		Tripping Point Screw	\$ 02
90C	4013	Knife Bar Disengaging Lever Hinge	
		Screw	05
23606	4015	Knife Bar Disengaging Lever Spring	10
1242E	4015	" " " " " "	
		Screw (2)	05
240D	4003	Knife Bar Disengaging Lever Stop	
		Screw	02
23469	4010	Knife Bar Driving Lever	1 25
1290C	4014	" " " " " Hinge Screw	30
1428C	4014	" " " " " Screw Stud	06
1520E	4012	" " " " " " "	
		Nut	03
23681	4014	Knife Bar Driving Lever Spring	15
805C	4002	" " " " " Screw	04
23470	4010	" " " " " (intermedi-	
		ate)	2 00
23471	4014	Knife Bar Driving Lever (intermedi-	
		ate) Connecting Link	1 00
54C	4014	Knife Bar Driving Lever (intermedi-	
		ate) Connecting Link Hinge Screw	10
1222C	4014	Knife Bar Driving Lever (intermedi-	
		ate) Hinge Screw	15
1959	4014	Knife Bar Driving Lever (intermedi-	
		ate) Roller and Screw Stud with	
		229D and 12424	35
229D	4014	Knife Bar Driving Lever (intermedi-	
		ate) Roller Cap Screw	02
12424	4014	Knife Bar Driving Lever (intermedi-	
		ate) Roller Cap Screw Washer	02
23682	4014	Knife Bar Spring	05
39566	4002	" " Stop	1 15
39565	—	Knife Bar Stop complete, Nos. 1673C,	
		23548 and 39566	1 40
1673C	4014	Knife Bar Stop Lock Nut	20
23548	4014	" " " Plug (fibre)	02
23473	4014	" Holder	2 50
1243C	4014	" " Guide Stud	08
1608C	4014	" " " " Nut	05
157C	4015	" " " " Screw	04
1547C	4009	" " " " Nut	03
191C	4022	" Screw	03
23390	4014	" " Washer	10
39600	4048	Needle Bar with 904F	80
23476	4016	" " Connecting Link with	
		794E	50
794E	4016	Needle Bar Connecting Link Adjust-	
		ing Screw	05

No.	Plate	Name	Each
1021E	4016	Needle Bar Connecting Link Cap Screw	\$ 06
39601	4004	Needle Bar Connecting Stud with 1341c	25
1341c	4004	Needle Bar Connecting Stud Set Screw	04
23477	4010	Needle Bar Crank with 858c, 1036c, 1065c and 1257c	80
1065c	4025	Needle Bar Crank Position Screw	10
858c	4002	" " " Set Screw	03
23478	4006	" " Frame with 4784	2 00
23558	4001	" " Bell Crank with 1956	3 00
1956	4016	Needle Bar Frame Bell Crank Roller and Screw Stud with 229D, 1655E and 23389	35
1655E	4002	Needle Bar Frame Bell Crank Roller and Screw Stud Nut	04
229D	4014	Needle Bar Frame Bell Crank Roller Cap Screw	02
23389	4016	Needle Bar Frame Bell Crank Roller Cap Screw Washer	02
23667	4016	Needle Bar Frame Bell Crank Stud	75
23481	4001	" " " Cam and Bevel Gear	4 00
1244c	4016	Needle Bar Frame Cam and Bevel Gear Screw	20
39622	4048	Needle Bar Frame Connection with 1963 and 39616 to 39618	2 00
78c	4004	Needle Bar Frame Connection Hinge Screw	06
1963	4015	Needle Bar Frame Connection Roller and Stud	20
23483	4004	Needle Bar Frame Connection Spring	10
23484	4004	" " " " " Hook	15
1226E	4002	Needle Bar Frame Connection Spring Screw Stud	04
23485	4004	Needle Bar Frame Connection Stud	05
196F	4007	" " " " " Set Screw	02
23486	4016	Needle Bar Frame Driving Bevel Pinion with two 453c	1 00
453c	4013	Needle Bar Frame Driving Bevel Pinion Set Screw	02
23610	—	Needle Bar Frame Pitman (hinge screw end)	65
23609	—	Needle Bar Frame Pitman (regulator end)	40

No.	Plate	Name	Each
190c	4013	Needle Bar Frame Pitman Adjusting Screw	\$ 03
7071	4003	Needle Bar Frame Pitman Adjusting Screw Washer	01
23611	4016	Needle Bar Frame Pitman (adjustable) complete, Nos. 23609, 23610, two each 190c and 7071	1 15
1042F	4016	Needle Bar Frame Pitman Hinge Screw	06
1547D	4009	Needle Bar Frame Pitman Hinge Screw Nut	03
23491	4004	Needle Bar Frame Regulator	1 50
39900	—	" " " " " with 1245c	1 60
1038c	4004	Needle Bar Frame Regulator Adjusting Screw	10
7070	4007	Needle Bar Frame Regulator Adjusting Screw Sleeve	10
1589c	4003	Needle Bar Frame Regulator Adjusting Screw Thumb Nut	06
1245c	4004	Needle Bar Frame Regulator Hinge Screw	12
673E	4016	Needle Bar Frame Screw Center	08
1517E	4016	" " " " " Nut	04
39608	4060	" Plate	1 00
404D	4007	" " Screw (2)	02
904F	4004	" Set Screw	02
39653	4048	Oscillating Rock Shaft	1 00
39654	—	Oscillating Rock Shaft complete, Nos. 4784, 23494 and 39653	1 50
23494	4006	Oscillating Rock Shaft Hinge Pin with 23421	50
23421	4013	Oscillating Rock Shaft Hinge Pin Oil Hole Plug (leather) . . . Per 100	50
448c	4015	Oscillating Rock Shaft Hinge Pin Set Screw	03
4784	4013	Oscillating Rock Shaft Oil Pad	01
39655	4051	" Shaft	50
39656	4023	" " Bushing (back)	40
24047	4013	" " " (front)	40
39657	—	" " Crank	50
39658	4023	Oscillating Shaft Crank complete, Nos. 1636E, 24050, 39657 and two 1253c	1 05
1253c	4023	Oscillating Shaft Crank Set Screw	03
19448	4017	" " " " Slide Block	35
229D	4014	" " " " " Cap Screw	02

No.	Plate	Name	Each
12424	4014	Oscillating Shaft Crank Slide Block	
		Cap Screw Washer	\$.02
1035c	4017	Oscillating Shaft Crank Slide Block	
		Screw Stud	15
1636E	4017	Oscillating Shaft Crank Slide Block	
		Screw Stud Nut	03
24050	4017	Oscillating Shaft Crank Slide Block	
		complete, Nos. 229D, 1035c, 12424	
		and 19448	50
23497	4019	Pulley (loose)	1 75
40024	4035	" (tight)	2 50
23499	4019	" " Counterbalance	20
28034	4020	" " " Rivet	01
40025	4004	" " " Pin	01
23500	4017	Shuttle Bobbin	08
15140	4017	" " Case Latch	10
2973	4017	" " " " Lever	10
2974	4017	" " " " Fulcrum Pin	Per 100
15141	—	Shuttle Bobbin Case Hinge, Nos. 2973,	
		2974 and 15140	25
2975	4017	Shuttle Bobbin Case Latch Spring ..	02
592E	4017	" " " " Stop Screw ..	02
39623	4050	" " " " Position Finger ..	10
2523	4017	" " " " " Rivet	Per 100
			25
15628	4050	Shuttle Bobbin Case Thread Guide	
		with two 2080	05
2080	4050	Shuttle Bobbin Case Thread Guide	
		Rivet	01
39624	4050	Shuttle Bobbin Case complete, Nos.	
		591F, 592E, 2523, 2975, 15141,	
		15628, 39623 and 39625	75
23503	4017	Shuttle Body	75
591F	4017	" Tension Regulating Screw ..	02
39625	4050	" " Spring	10
39626	4050	" 1 1/4 in. diam., Nos. 23500, 23503	
		and 39624	1 50
23505	4017	Shuttle Driver with 462c	75
2269	4017	" " Pin	01
462c	4017	" " Set Screw	02
14049	4018	" Race Back	40
2532	4018	" " " Position Pin ..	Per 100
			10
2533	4018	" " " Spring	12
648D	4018	" " " " Screw	07
*23506	—	" " Body	—
39904	—	" " " 23506 with 7326	
		and two 662D	1 35
7326	4018	Shuttle Race Cap	15

No.	Plate	Name	Each
662D	4018	Shuttle Race Cap Screw	\$.02
23621	4018	Shuttle Race complete, Nos. 648D,	
		2533, 14049, 39904 and two 2532..	1 95
145F	4018	Shuttle Race Screw (2)	04
39627	4053	Starting Lever	3 50
717C	4020	" " Adjusting Screw	08
1520E	4012	" " " " Nut	03
21643	4020	" " Belt Shifter	75
159F	4020	" " " " Screw	03
23510	4019	" " Bracket	1 00
8582	4013	" " " Dowel Pin (2)	02
123E	4020	" " " Screw	06
23511	4019	" " Rod	75
61C	4020	" " " Hinge Screw ..	06
564C	4020	" " " Screw Center (2)	12
1508E	4020	" " " " Nut (2)	06
14174	4020	" " Spring	08
124F	4002	" " Stop Screw	08
1518E	4002	" " " " Nut	04
39628	4059	Stop Cam with 39629	1 50
39580	4019	" " Interlocking Rod	50
23514	4020	" " " " Guide	
		with 1070c and 1959	1 50
1070c	4020	Stop Cam Interlocking Rod Guide	
		Set Screw	08
21650	4021	Stop Cam Interlocking Rod Guide	
		Washer (rawhide)	02
21651	4021	Stop Cam Interlocking Rod Spring	
913C	4021	" " " " " "	
		Regulating Thumb Screw	40
1638E	4021	Stop Cam Interlocking Rod Spring	
		Regulating Thumb Screw Nut ..	12
39629	4059	Stop Cam Pin	15
23515	4021	" " Spring (long)	08
23516	4021	" " " (short)	05
23517	4019	" " " Cover with 23499, two	
		each 9780 and 28034	25
9780	4021	Stop Cam Spring Cover Position Pin	
997E	4021	" " " " Screw	05
39637	4021	" " " Stop Block	30
1349c	4004	" " " " Screw	04
39638	4021	" " " " " Block ..	30
457C	4012	" " " " " Set Screw	
			02
23518	4010	" Lever	75
78D	4004	" " Hinge Screw	06
9540	4021	" " Spring	02
2102	4022	Tension (side of arm) Disc (2)	05
1560c	4022	" " " " Regulating	
		Thumb Nut	04

192 Parts for Machine No. 71-45			
No.	Plate	Name	Each
23519	4022	Tension (side of arm) Releaser with 200F	\$ 30
40033	4054	Tension (side of arm) Releaser Arm with 641c	1 25
12538	4060	Tension (side of arm) Releaser Arm Pin	01
641c	4060	Tension (side of arm) Releaser Arm Set Screw	03
200F	4022	Tension (side of arm) Releaser Set Screw	03
23520	4022	Tension (side of arm) Releaser Shaft	10
40034	4060	" " " " " " Crank	75
679c	4060	Tension (side of arm) Releaser Shaft Crank Ball Screw Stud	12
1520E	4012	Tension (side of arm) Releaser Shaft Crank Ball Screw Stud Nut	03
2269	4017	Tension (side of arm) Releaser Shaft Crank Pin	01
413F	4022	Tension (side of arm) Screw Stud ...	10
8238	4052	" " " " Spring	05
23669	4022	" " " " Thread Guard..	10
460c	4013	" " " " " " Set Screw	02
32012	4052	Tension (top cover) Disc (2)	10
1560c	4022	" " " Regulating Thumb Nut	04
39631	4060	Tension (top cover) Releaser	10
1387c	4052	" " " " Guide Screw Stud	08
1521E	4003	Tension (top cover) Releaser Guide Screw Stud Nut	03
39632	4052	Tension (top cover) Releaser Holder with 201F	1 25
999F	4003	Tension (top cover) Releaser Holder Hinge Screw	05
201F	4052	Tension (top cover) Releaser Set Screw	03
32572	4052	Tension (top cover) Releasing Disc..	05
39633	4058	" " " " Lever	1 00
39634	4058	" " " " " " Connection	30
974F	4058	Tension (top cover) Releasing Lever Connection Screw (back)	06
940F	4058	Tension (top cover) Releasing Lever Connection Screw (front)	06
90c	4013	Tension (top cover) Releasing Lever Hinge Screw	05

Parts for Machine No. 71-45 193			
No.	Plate	Name	Each
39635	4052	Tension (top cover) Releasing Pin ..	\$ 05
1388F	4052	" " " Screw Stud	10
2103	4022	" " " Spring	03
39636	4052	" " " Thread Eyelet (double)	05
217F	4025	Tension (top cover) Thread Eyelet Screw	03
40035	4058	Thread (lower) Cutting Blade	30
40036	4058	" " " " Carrier with 40038	1 25
40037	4054	Thread (lower) Cutting Blade Carrier Lever	2 00
32c	4025	Thread (lower) Cutting Blade Carrier Lever Hinge Screw	10
39736	4058	Thread (lower) Cutting Blade Carrier Lever Spring	05
1241E	4015	Thread (lower) Cutting Blade Carrier Lever Spring Screw Stud (2) ..	05
435Q	4058	Thread (lower) Cutting Blade Carrier Lever Stop Screw	04
1520E	4012	Thread (lower) Cutting Blade Carrier Lever Stop Screw Nut	03
40038	4058	Thread (lower) Cutting Blade Carrier Stud	15
39646	4058	Thread (lower) Cutting Blade Friction Plate	25
228F	4058	Thread (lower) Cutting Blade Friction Plate Screw (2)	02
240D	4003	Thread (lower) Cutting Blade Screw (2)	02
40040	4054	Thread (lower) Cutting Lever	1 00
1351c	4060	" " " " Ball Screw	10
1520E	4012	Thread (lower) Cutting Lever Ball Screw Nut	03
39921	—	Thread (lower) Cutting Lever Extension	30
966D	4025	Thread (lower) Cutting Lever Extension Screw	04
1671c	4009	Thread (lower) Cutting Lever Extension Screw Nut	08
40039	4060	Thread (lower) Pull-off Finger	1 00
106c	4057	" " " " Guide Screw	04
1350c	4060	Thread (lower) Pull-off Finger Hinge Screw	05
40048	4056	Thread (upper) Clamping Blade	20
39609	4056	" " Cutting Blade	20

No.	Plate	Name	Each
39610	4057	Thread (upper) Cutting Blade Connecting Rod	\$ 30
40043	4057	Thread (upper) Cutting Blade Connecting Rod Collar (back) with 237F	15
237F	4056	Thread (upper) Cutting Blade Connecting Rod Collar Set Screw ..	02
40044	4057	Thread (upper) Cutting Blade Connecting Rod Collar (front) with 237F	15
2273	4057	Thread (upper) Cutting Blade Connecting Rod Collar (front) Pin ..	01
237F	4056	Thread (upper) Cutting Blade Connecting Rod Collar (front) Set Screw	02
40045	4057	Thread (upper) Cutting Blade Connecting Rod Collar (front) Washer (rawhide) (2)	01
106c	4057	Thread (upper) Cutting Blade Connecting Rod Hinge Screw	04
23606	4015	Thread (upper) Cutting Blade Connecting Rod Spring	10
39611	4057	Thread (upper) Cutting Blade Connecting Rod Spring Bracket	50
203F	4003	Thread (upper) Cutting Blade Connecting Rod Spring Bracket Screw (2)	03
7071	4003	Thread (upper) Cutting Blade Connecting Rod Spring Bracket Screw Washer (2)	01
40047	4057	Thread (upper) Cutting Blade Connecting Rod Spring Collar with 646F	15
646F	4057	Thread (upper) Cutting Blade Connecting Rod Spring Collar Set Screw	02
39754	4074	Thread (upper) Cutting Blade Opener Lever	2 50
90c	4013	Thread (upper) Cutting Blade Opener Lever Hinge Screw	05
39755	4074	Thread (upper) Cutting Blade Opener Lever Latch	1 50
190D	4013	Thread (upper) Cutting Blade Opener Lever Latch Screw (2)	03
7071	4003	Thread (upper) Cutting Blade Opener Lever Latch Screw Washer (2)	01
12648	4102	Thread (upper) Cutting Blade Opener Lever Spring	05

No.	Plate	Name	Each
236F	4102	Thread (upper) Cutting Blade Opener Lever Spring Screw	\$ 02
39756	4074	Thread (upper) Cutting Blade Opener Lever Trip Bracket	2 50
690D	4102	Thread (upper) Cutting Blade Opener Lever Trip Bracket Screw	05
9525	4083	Thread (upper) Cutting Blade Opener Lever Trip Bracket Screw Washer	01
21699	4056	Thread (upper) Cutting Blade Position Pin	Per 100
219F	4008	Thread (upper) Cutting Blade Screw	02
40049	4056	" " " " Shaft with 21699	25
40050	4056	Thread (upper) Cutting Blade Shaft Crank with 906c	30
2269	4017	Thread (upper) Cutting Blade Shaft Crank Pin	01
906c	4056	Thread (upper) Cutting Blade Shaft Crank Set Screw	02
40051	4054	Thread (upper) Cutting Lever with 641c	1 00
40052	4057	Thread (upper) Cutting Lever Lock Pin	10
1352c	4057	Thread (upper) Cutting Lever Lock Pin Screw Bushing	06
40053	4057	Thread (upper) Cutting Lever Lock Pin Spring	02
2117	4012	Thread (upper) Cutting Lever Pin ..	01
641c	4060	" " " " Set Screw	03
40054	4054	Thread (upper) Cutting Lever Shaft	75
40067	4054	" " " " Bracket	1 25
966D	4025	Thread (upper) Cutting Lever Shaft Bracket Screw (4)	04
39612	4057	Thread (upper) Cutting Lever Shaft Crank with two each 200F and 40059	1 00
40057	4057	Thread (upper) Cutting Lever Shaft Crank Latch	50
766D	4057	Thread (upper) Cutting Lever Shaft Crank Latch Hinge Screw	05
40058	4057	Thread (upper) Cutting Lever Shaft Crank Latch Spring	05
206F	4057	Thread (upper) Cutting Lever Shaft Crank Latch Spring Screw, for 29612	02

No.	Plate	Name	Each
39610	4057	Thread (upper) Cutting Blade Connecting Rod	\$ 30
40043	4057	Thread (upper) Cutting Blade Connecting Rod Collar (back) with 237F	15
237F	4056	Thread (upper) Cutting Blade Connecting Rod Collar Set Screw ..	02
40044	4057	Thread (upper) Cutting Blade Connecting Rod Collar (front) with 237F	15
2273	4057	Thread (upper) Cutting Blade Connecting Rod Collar (front) Pin ..	01
237F	4056	Thread (upper) Cutting Blade Connecting Rod Collar (front) Set Screw	02
40045	4057	Thread (upper) Cutting Blade Connecting Rod Collar (front) Washer (rawhide) (2)	01
106c	4057	Thread (upper) Cutting Blade Connecting Rod Hinge Screw	04
23606	4015	Thread (upper) Cutting Blade Connecting Rod Spring	10
39611	4057	Thread (upper) Cutting Blade Connecting Rod Spring Bracket	50
203F	4003	Thread (upper) Cutting Blade Connecting Rod Spring Bracket Screw (2)	03
7071	4003	Thread (upper) Cutting Blade Connecting Rod Spring Bracket Screw Washer (2)	01
40047	4057	Thread (upper) Cutting Blade Connecting Rod Spring Collar with 646F	15
646F	4057	Thread (upper) Cutting Blade Connecting Rod Spring Collar Set Screw	02
39754	4074	Thread (upper) Cutting Blade Opener Lever	2 50
90c	4013	Thread (upper) Cutting Blade Opener Lever Hinge Screw	05
39755	4074	Thread (upper) Cutting Blade Opener Lever Latch	1 50
190D	4013	Thread (upper) Cutting Blade Opener Lever Latch Screw (2)	03
7071	4003	Thread (upper) Cutting Blade Opener Lever Latch Screw Washer (2)	01
12648	4102	Thread (upper) Cutting Blade Opener Lever Spring	05

No.	Plate	Name	Each
236F	4102	Thread (upper) Cutting Blade Opener Lever Spring Screw	\$ 02
39756	4074	Thread (upper) Cutting Blade Opener Lever Trip Bracket	2 50
690D	4102	Thread (upper) Cutting Blade Opener Lever Trip Bracket Screw	05
9525	4083	Thread (upper) Cutting Blade Opener Lever Trip Bracket Screw Washer	01
21699	4056	Thread (upper) Cutting Blade Position Pin	Per 100 10
219F	4008	Thread (upper) Cutting Blade Screw	02
40049	4056	" " " " Shaft with 21699	25
40050	4056	Thread (upper) Cutting Blade Shaft Crank with 906c	30
2269	4017	Thread (upper) Cutting Blade Shaft Crank Pin	01
906c	4056	Thread (upper) Cutting Blade Shaft Crank Set Screw	02
40051	4054	Thread (upper) Cutting Lever with 641c	1 00
40052	4057	Thread (upper) Cutting Lever Lock Pin	10
1352c	4057	Thread (upper) Cutting Lever Lock Pin Screw Bushing	06
40053	4057	Thread (upper) Cutting Lever Lock Pin Spring	02
2117	4012	Thread (upper) Cutting Lever Pin ..	01
641c	4060	" " " " Set Screw	03
40054	4054	Thread (upper) Cutting Lever Shaft	75
40067	4054	" " " " Bracket	1 25
966D	4025	Thread (upper) Cutting Lever Shaft Bracket Screw (4)	04
39612	4057	Thread (upper) Cutting Lever Shaft Crank with two each 200F and 40059	1 00
40057	4057	Thread (upper) Cutting Lever Shaft Crank Latch	50
766D	4057	Thread (upper) Cutting Lever Shaft Crank Latch Hinge Screw	05
40058	4057	Thread (upper) Cutting Lever Shaft Crank Latch Spring	05
206F	4057	Thread (upper) Cutting Lever Shaft Crank Latch Spring Screw, for 29612	02

No.	Plate	Name	Each
1144F	4057	Thread (upper) Cutting Lever Shaft Crank Latch Spring Screw, for 40057	\$ 04
40059	4057	Thread (upper) Cutting Lever Shaft Crank Latch Stop Pin... Per 100	10
200F	4022	Thread (upper) Cutting Lever Shaft Crank Set Screw	03
40060	4052	Thread (upper) Cutting Lever Spring	10
1241E	4015	" " " " " "	
		Screw Stud	05
717C	4020	Thread (upper) Cutting Lever Stop Screw	08
1520E	4012	Thread (upper) Cutting Lever Stop Screw Nut	03
39711	4007	Thread Guiding Stud (side of arm)...	05
460C	4013	" " " Set Screw	02
39712	4007	" Retainer Holder with 462c	20
1664D	4007	" " " Nut	03
12400	4022	" " Sleeve	05
39713	4007	" " Spring	01
12402	4022	" " Stud	07
462c	4017	" " " Set Screw	02
39714	—	Thread Retainer complete, Nos. 1664D, 12400, 12402, 39712 and 39713 ...	35
23523	4023	Thread Take-up Crank	80
1036C	4023	" " " Position Screw	03
1258C	4023	" " " Set Screw...	02
23524	4023	" " Lever	1 00
12166	4023	" " " Hinge Pin	05
23543	4023	" " " Link	40
11204	4023	" " " " Hinge Pin	15
435C	4058	" " " " " "	
		Set Screw	04
23525	—	Thread Take-up Lever complete, Nos. 12166, 23524 and 23543	1 45
4784	4013	Thread Take-up Lever Oil Pad	01
7335	4022	" " Spring	03
23526	4022	" " " Regulator	25
446C	4025	" " " " Set Screw	03

LIST OF PARTS COMPLETE

FOR

MACHINE No. 71-46

Makes Top Corded Buttonholes, Whip Stitch, Square Bar at First End and Taper Bar at Finishing End. Lays a Cord on the Top Side Under the Overseaming Stitches, Knives from $\frac{3}{8}$ to $\frac{7}{8}$ in. Long. Cuts the Under Thread and the Hole Automatically After Stitching.

No.	Plate	Name	Each
*39757	—	Arm with 24081	\$ —
8582	4013	" Dowel Pin (2)	02
748E	4025	" Screw (back) (2)	08
868E	4025	" " (front) (2)	10
23352	4030	" Shaft	2 50
*24081	—	" " Bushing (front)	—
12357	4000	" " Flanged Bushing (back)	20
446C	4025	" " " " " "	
		Set Screw	03
4784	4013	Arm Shaft Oil Pad	01
1069D	4025	" " Screw	12
12193	4000	" Side Cover	10
703D	4025	" " Thumb Screw	10
23353	4001	" Top Cover	75
808F	4025	" " " Screw (3)	03
39759	4070	Barring Cam with two 858c	2 50
858C	4002	" " Set Screw	03
39844	4074	" Indicator	35
1228C	4003	" " Stud	08
1589C	4003	" " Thumb Nut	06
23563	4002	" Lever	2 50
23564	4002	" " Catch with 1226c	1 25
1276C	4002	" " " Hinge Screw	12
1226C	4002	" " " Position Stud	04
23565	4002	" " " Spring	10
805C	4002	" " " Screw	04
8905	4002	" " " " Washer	01
39616	4004	" " " Stud	25
39617	4004	" " " Rivet (long)	01
39618	4004	" " " " (short)	01
1227C	4002	" " Hinge Screw	10

No.	Plate	Name	Each
1655E	4002	Barring Lever Hinge Screw Nut	\$ 04
23566	4002	" " Spring	10
124F	4002	" " Stop Screw	08
1518E	4002	" " " Nut	04
23361	4003	" Ratchet Pawl	1 25
1248G	4003	" " " Hinge Screw	08
23362	4003	" " " Spring	05
93H	4003	" " " Screw	04
15072	4003	" " " Stop Pin	
	 Per 100	10
23544	4003	Barring Ratchet Retaining Pawl (hinge screw end)	40
23545	4003	Barring Ratchet Retaining Pawl (wheel end)	50
203C	4003	Barring Ratchet Retaining Pawl Adjusting Screw	03
23546	—	Barring Ratchet Retaining Pawl (adjustable) complete, Nos. 203c, 23544 and 23545	90
999C	4003	Barring Ratchet Retaining Pawl Hinge Screw	05
23364	4003	Barring Ratchet Retaining Pawl Spring	05
240D	4003	Barring Ratchet Retaining Pawl Spring Screw	02
23664	4003	Barring Ratchet Wheel	1 50
23665	4003	" " " Spring	05
1286C	4003	" " " Screw	06
23666	4003	" " " Washer	01
23367	4003	" " " Tripping Point	70
193F	4003	" " " " " Screw	03
7071	4003	Barring Ratchet Wheel Tripping Point Screw Washer	01
23369	4001	Barring Stop Arm	25
23370	4003	" Tripping Lever	80
356C	4003	" " " Hinge Screw	05
*39718	—	Bed	—
39760	4078	" Oil Guard	1 00
1235F	4009	" " " Screw (2)	04
39539	4039	Clamp Arm	2 00
625F	4009	" " Adjusting Screw (2)	05
1547D	4009	" " " Nut (2)	03
39540	4039	" " Bracket with 196F	1 00
40003	4041	" " " Guide (left)	20
217F	4025	" " " " " Screw	
		(2)	03
40004	4041	Clamp Arm Bracket Guide (right)	20

No.	Plate	Name	Each
217F	4025	Clamp Arm Bracket Guide (right)	
		Screw (2)	\$ 03
191C	4022	Clamp Arm Bracket Screw (3)	03
39541	4040	" " " Washer	05
23379	4007	" " Hinge Block	1 00
23380	4007	" " " Pin	05
196F	4007	" " " Set Screw	02
402D	4007	" " Screw	02
39719	4078	" Carrier	3 00
40006	4004	" " Block with 40007 and four 404D	75
40007	4004	Clamp Carrier Block Plate	20
404D	4007	" " " " Screw	02
23384	4007	" " Connecting Rod	50
52C	4007	" " " " Hinge Screw	10
39591	4004	Clamp Carrier Guide (left)	25
756D	4004	" " " " Screw (long)	02
1345D	4059	Clamp Carrier Guide (left) Screw (short)	04
39645	4059	Clamp Carrier Guide (right)	25
1230F	4007	" " " " Screw (3)	03
39543	4039	" " Regulator with 233D and 1960	2 50
1232C	4007	Clamp Carrier Regulator Hinge Screw	12
1960	4007	" " " Roller and Screw Stud with 1520E	35
1520E	4012	Clamp Carrier Regulator Roller and Screw Stud Nut	03
39762	4078	Clamp Carrier Regulator Slide	30
1347C	4009	" " " Stud (to regulate length of buttonhole)	10
1671C	4009	Clamp Carrier Regulator Stud Nut	08
39532	4009	" " " " Sleeve	10
233D	4007	" " " " Stop Screw	02
39720	4078	Clamp Carrier Slide with 1345D, 39591 and two 756D	4 35
23392	4008	Clamp Carrier Slide Guide (left)	40
914F	4008	" " " " " Screw (2)	04
23393	4008	Clamp Carrier Slide Guide (right)	40
914F	4008	" " " " " Screw (2)	04
23394	4005	Clamp Carrier Slide Lever with 1960	2 50
23395	4005	" " " " Regulator	2 50
23396	4008	" " " " " Cap	20

No.	Plate	Name	Each
223D	4008	Clamp Carrier Slide Lever Regulator	
		Cap Screw (4)	\$ 02
67D	4008	Clamp Carrier Slide Lever Regulator	
		Screw	12
1960	4007	Clamp Carrier Slide Lever Roller and	
		Screw Stud with 1520E	35
1520E	4012	Clamp Carrier Slide Lever Roller and	
		Screw Stud Nut	03
7278	4008	Clamp Carrier Slide Lever Socket	
		Joint	25
1234C	4008	Clamp Carrier Slide Regulating Stud	
23397	4008	" " " " "	20
		Bushing	20
1658C	4008	Clamp Carrier Slide Regulating Stud	
		Thumb Nut	15
1256D	4008	Clamp Carrier Slide Screw (2)	08
39761	4071	" Check	1 00
39763	4071	" " Adjusting Plate	50
219F	4008	" " " " Screw (2)	02
50163F	4071	" " " " " " " " " " " "	02
1296C	4066	" " Hinge Screw (back)	02
50162F	4071	" " " " " " (front)	02
39764	4075	" " Holder	50
1297F	4045	" " " " Screw (2)	04
39724	4078	" Lifting Arm	1 00
40015	4059	" " " " Connection	1 00
41C	4059	" " " " " " Hinge	
		Screw	10
1520E	4012	Clamp Lifting Arm Connection Hinge	
		Screw Nut	03
1901	4059	Clamp Lifting Arm Connection Roller	
		and Screw Stud with 229D and	
		12424	35
40016	4059	Clamp Lifting Arm Connection Roller	
		and Screw Stud Bracket	40
157F	4015	Clamp Lifting Arm Connection Roller	
		and Screw Stud Bracket Screw	04
39541	4040	Clamp Lifting Arm Connection Roller	
		and Screw Stud Bracket Screw	
		Washer	05
229D	4014	Clamp Lifting Arm Connection Roller	
		Cap Screw	02
12424	4014	Clamp Lifting Arm Connection Roller	
		Cap Screw Washer	02
199D	4059	Clamp Lifting Arm Screw (2)	04
40017	4059	" " " " Stop	75
39725	4072	" " " " Bracket	75
162D	4025	" " " " " " Screw	
		(2)	04

No.	Plate	Name	Each
1248C	4008	Clamp Lifting Arm Stop Hinge Screw	\$ 08
1611E	4059	" " " " " " " "	
		Nut	03
40019	4054	Clamp Lifting Arm Stop Pitman	50
59D	4060	" " " " " " Hinge	
		Screw (2)	07
40020	4055	Clamp Plate	1 25
1235F	4009	" " Screw (4)	04
23573	4005	" " Support	25
402D	4007	" " " " Screw (2)	02
23574	4009	" Post	75
1659C	4009	" Pressure Regulating Thumb	
		Nut	10
39514	4020	Clamp Spring	15
23693	4009	" " Bushing	1 00
1294C	4009	" " " " Position Stud	03
1550H	4009	" " " " " " Nut	03
39765	4075	Cord and Thread Clamping Spring	05
50164D	4075	" " " " " " "	
		Screw (2)	02
39766	4075	Cord and Thread Cutting Knife	20
50165D	4075	" " " " " " Screw	02
18859	4075	" Guide	02
39899	4102	" Leading Bracket	1 50
39768	4075	" " " " Dowel Pin	05
389F	4025	" " " " " " Screw	04
39770	4075	" " " " Eye (double)	05
236F	4102	" " " " " " Screw	02
39852	4102	" " " " " " Finger (lower)	2 00
337D	---	" " " " " " Screw	02
39853	4102	" " " " " " Washer	01
39854	4102	" " " " " " (upper)	1 25
230F	4102	" " " " " " Screw	02
39905	---	Cord Leading Finger complete, Nos.	
		337D and 39852 to 39854	3 25
39855	4102	Cord Rotating Gear	1 00
39773	4075	" " " " " " Gib (back)	35
39772	4075	" " " " " " (front)	35
1329D	4075	" " " " " " Screw (4)	02
39780	4076	" " " " " " Slide	1 75
39781	4076	" " " " " " Block	40
39788	4076	" " " " " " Connecting	
		Spring	10
50166	4076	Cord Rotating Gear Slide Connecting	
		Spring Screw Eye (back)	05
1241E	4015	Cord Rotating Gear Slide Connecting	
		Spring Screw Eye (front)	05
39785	4076	Cord Rotating Gear Slide Extension	1 00

No.	Plate	Name	Each
208E	4076	Cord Rotating Gear Slide Extension Screw (2)	\$ 02
39782	4076	Cord Rotating Gear Slide Flange with two 453c	75
453c	4013	Cord Rotating Gear Slide Flange Set Screw (2)	02
39783	4076	Cord Rotating Gear Slide Sleeve	1 25
39786	4076	" " " " Slide Rod	30
39787	4076	Cord Rotating Gear Slide Sleeve Slide Rod Connection	85
871c	4076	Cord Rotating Gear Slide Sleeve Slide Rod Connection Handle Screw	04
1200c	4076	Cord Rotating Gear Slide Sleeve Slide Rod Connection Hinge Screw	05
1521E	4003	Cord Rotating Gear Slide Sleeve Slide Rod Nut	03
39784	4076	Cord Rotating Gear Slide Sleeve Spring	05
39856	4102	Cord Rotating Sector with 7071, 39832 and 201132c	2 75
39832	4076	Cord Rotating Sector Adjustable Catch Notch Gib	50
201321c	4102	Cord Rotating Sector Adjustable Catch Notch Gib Screw	05
7071	4003	Cord Rotating Sector Adjustable Catch Notch Gib Screw Washer	01
39775	4077	Cord Rotating Sector Catch	1 00
39776	4077	" " " " Connection	50
39777	4077	" " " " Collar with 219F	15
219F	4008	Cord Rotating Sector Catch Connection Collar Set Screw	02
240D	4003	Cord Rotating Sector Catch Screw (2)	02
219F	4008	" " " " Spring Screw	02
440c	4102	Cord Rotating Sector Catch Stop Screw	03
1547D	4009	Cord Rotating Sector Catch Stop Screw Nut	03
39778	4077	Cord Rotating Sector Catch Stop Spring	05
201287E	4102	Cord Rotating Sector Hinge Screw (eccentric)	20
1520E	4012	Cord Rotating Sector Hinge Screw Nut	03
213949	4102	Cord Rotating Sector Hinge Screw Washer	01

No.	Plate	Name	Each
39779	4077	Cord Rotating Tripping Cam with two 453c	\$1 50
453c	4013	Cord Rotating Tripping Cam Set Screw	02
39790	4077	Cord Take-up Spring	05
2455	4024	" Tension Disc (2)	02
50167D	4077	" " Screw Stud	08
39789	4074	" " Spring	03
1562D	4024	" " Thumb Nut	04
24028	4000	Crank Connecting Rod with 24085 and two 896E	1 35
*24085	—	Crank Connecting Rod Cap	—
896E	4025	" " " " Screw	04
908c	4025	" " " " Hinge Screw	12
1619E	4025	" " " " " " Nut	05
39791	4070	Face Plate	1 50
217F	4025	" " Screw (2)	03
23407	4001	Feed Connecting Rod (lower)	2 50
375c	4025	" " " " Hinge Screw	12
1518E	4002	Feed Connecting Rod (lower) Hinge Screw Nut	04
23408	4001	Feed Connecting Rod (upper) with 12204 and two 966E	1 50
*12204	—	Feed Connecting Rod (upper) Cap	—
966E	4025	" " " " " " Screw	04
23409	4001	Feed Disengaging Lever	1 25
1275c	4003	" " " " Hinge Screw	10
1521E	4003	" " " " " " Nut	03
23557	4001	Feed Disengaging Lever Spring	10
23412	4013	" Eccentric with 448c	2 50
448c	4015	" " Set Screw	03
23413	4000	" Hand Ratchet Lever with 214D and 1049c	75
23414	4013	Feed Hand Ratchet Lever Collar with two 453c	50
453c	4013	Feed Hand Ratchet Lever Collar Set Screw	02
39567	—	Feed Hand Ratchet Lever Pawl Body with 241D	50
39522	4000	Feed Hand Ratchet Lever Pawl complete, Nos. 207c, 39523, 39567 and two 1049c	75
90D	4013	Feed Hand Ratchet Lever Pawl Hinge Screw	05
39523	4012	Feed Hand Ratchet Lever Pawl Point	25

No.	Plate	Name	Each
1049c	4013	Feed Hand Ratchet Lever Pawl Point Position Screw	\$.02
207c	4012	Feed Hand Ratchet Lever Pawl Point Screw02
13218	4013	Feed Hand Ratchet Lever Pawl Spring05
214d	4013	Feed Hand Ratchet Lever Pawl Spring Screw03
1049c	4013	Feed Hand Ratchet Lever Pawl Stop Screw02
23416	4013	Feed Hand Ratchet Wheel with 460c	1 25
3012	4013	" " " " Pin01
460c	4013	" " " " Set Screw02
23418	4000	" Rock Shaft	1 50
23419	—	Feed Rock Shaft complete, Nos. 23418 and 23420	2 10
23420	4000	Feed Rock Shaft Hinge Pin with 2342160
23421	4013	Feed Rock Shaft Hinge Pin Plug (leather)	Per 100
448c	4015	Feed Rock Shaft Hinge Pin Set Screw	.03
23422	4013	" " " Spring15
39590	4004	" " " " Plate02
181d	4013	" " " " Screw04
39792	4078	" Wheel with 23432 and two 229d	6 00
150c	4012	" " Cap Screw10
39553	4042	" " Driving Lever	3 00
39597	4045	" " " " with 602d and 39598 (2)80
769c	4045	Feed Wheel Driving Lever Block Adjusting Screw06
39594	4045	Feed Wheel Driving Lever Block Adjusting Screw Bracket with 769c, 898c and 39504 (2)60
185H	4045	Feed Wheel Driving Lever Block Adjusting Screw Bracket Screw (4)	.02
898c	4045	Feed Wheel Driving Lever Block Adjusting Screw Clamping Screw ..	.04
39504	4064	Feed Wheel Driving Lever Block Adjusting Screw Clamping Screw Washer01
39598	4045	Feed Wheel Driving Lever Lock Spring03
602d	4045	Feed Wheel Driving Lever Lock Spring Screw02
39554	4042	Feed Wheel Driving Lever Pitman with 23429, 50088c and two 196F	1 65
50088c	4072	Feed Wheel Driving Lever Pitman Ball Joint Screw15

No.	Plate	Name	Each
*23429	—	Feed Wheel Driving Lever Pitman Cap	\$ —
196F	4007	Feed Wheel Driving Lever Pitman Cap Screw02
23427	4010	Feed Wheel Driving Lever Plate25
404d	4407	" " " " " Screw (2)02
1236c	4012	Feed Wheel Driving Lever Regulating Stud12
7070	4007	Feed Wheel Driving Lever Regulating Stud Sleeve10
1658A	4008	Feed Wheel Driving Lever Regulating Stud Thumb Nut15
1237c	4012	Feed Wheel Friction Ring Screw	.10
1520E	4012	" " " " " Nut03
14017	4012	Feed Wheel Friction Ring Screw Washer05
23552	4010	Feed Wheel Friction Ring Section (long)45
23553	4010	Feed Wheel Friction Ring Section (short)45
23554	4012	Feed Wheel Friction Ring Spring ..	.10
23555	—	Feed Wheel Friction Ring complete, Nos. 23552 to 23554	1 00
2117	4012	Feed Wheel Pin01
2254	4045	" " Retaining Clutch20
39595	4045	" " " " " Cap	.10
898c	4045	" " " " " Screw04
39504	4064	Feed Wheel Retaining Clutch Cap Screw Washer01
2256	4045	Feed Wheel Retaining Clutch Spring	.03
233d	4007	" " " " " Screw02
721d	4045	Feed Wheel Retaining Clutch Spring Stop Screw06
39596	4045	Feed Wheel Retaining Clutch Stud ..	.25
39793	4070	" " Shaft	1 00
457c	4012	" " " Oil Hole Plug Screw02
23433	4010	Feed Wheel Tripping Lever	2 00
1257c	4012	" " " " " Hinge Screw15
23587	4012	Feed Wheel Tripping Lever Point	.25
203c	4003	" " " " " Screw (2)03
23435	4013	Feed Wheel Tripping Lever Spring	.10

206 Parts for Machine No. 71-46			
No.	Plate	Name	Each
190D	4013	Feed Wheel Tripping Lever Spring Screw	\$ 03
179E	4004	Feed Wheel Tripping Lever Stop Screw	03
23432	4012	Feed Wheel Tripping Point	40
220D	4012	" " " " Screw	02
40013	4134	Guide	10
1238F	4026	" Screw	03
39799	—	Knife, $\frac{3}{8}$ inch	20
39800	—	" $\frac{1}{2}$ inch	20
39801	—	" $\frac{5}{8}$ inch	20
39795	—	" $\frac{3}{4}$ inch	20
23460	4010	" Bar	80
23461	4015	" " Connecting Link	1 00
1239F	4015	" " " " Hinge Cap Screw	04
1240c	4015	Knife Bar Connecting Link Hinge Screw	05
23462	4015	Knife Bar Connecting Stud with 1319F	60
1319F	4015	Knife Bar Connecting Stud Clamping Screw	04
23463	4015	Knife Bar Disengaging Lever	40
23464	4015	" " " " Catch with 1963	60
23465	4015	Knife Bar Disengaging Lever Catch Bracket	1 00
157D	4015	Knife Bar Disengaging Lever Catch Bracket Screw (2)	04
90c	4013	Knife Bar Disengaging Lever Catch Hinge Screw	05
1963	4015	Knife Bar Disengaging Lever Catch Roller and Stud	20
23468	4015	Knife Bar Disengaging Lever Catch Spring	05
1241E	4015	Knife Bar Disengaging Lever Catch Spring Screw Stud (2)	05
23466	4015	Knife Bar Disengaging Lever Catch Tripping Point	30
23467	4015	Knife Bar Disengaging Lever Catch Tripping Point Collar with two 448c	40
448c	4015	Knife Bar Disengaging Lever Catch Tripping Point Collar Set Screw	03
175D	4015	Knife Bar Disengaging Lever Catch Tripping Point Screw	02
90c	4013	Knife Bar Disengaging Lever Hinge Screw	05
23606	4015	Knife Bar Disengaging Lever Spring	10

Parts for Machine No. 71-46 207			
No.	Plate	Name	Each
1242E	4015	Knife Bar Disengaging Lever Spring Screw (2)	\$ 05
240D	4003	Knife Bar Disengaging Lever Stop Screw	02
23469	4010	Knife Bar Driving Lever	1 25
1290c	4014	" " " " Hinge Screw	30
1428c	4014	" " " " Screw Stud	06
1520E	4012	" " " " " " " " Nut	03
23681	4014	Knife Bar Driving Lever Spring	15
805c	4002	" " " " " " Screw	04
23470	4010	" " " " " (intermediate)	2 00
23471	4014	Knife Bar Driving Lever (intermediate) Connecting Link	1 00
54c	4014	Knife Bar Driving Lever (intermediate) Connecting Link Hinge Screw	10
1222c	4014	Knife Bar Driving Lever (intermediate) Hinge Screw	15
1959	4014	Knife Bar Driving Lever (intermediate) Roller and Screw Stud with 229D and 12424	35
229D	4014	Knife Bar Driving Lever (intermediate) Roller Cap Screw	02
12424	4014	Knife Bar Driving Lever (intermediate) Roller Cap Screw Washer	02
23682	4014	Knife Bar Spring	05
39566	4014	" " Stop	1 15
39565	—	Knife Bar Stop complete, Nos. 1673c, 23548 and 39566	1 40
1673c	4014	Knife Bar Stop Lock Nut	20
23548	4014	" " " Plug (fibre)	02
39796	4077	" Holder	2 50
1243c	4014	" " Guide Stud	08
1608c	4014	" " " " Nut	05
157c	4015	" " Screw	04
1547c	4009	" " " Nut	03
1094F	4102	" Screw	03
23390	4014	" " Washer	10
39600	4048	Needle Bar with 904F	80
23476	4016	" " Connecting Link with 794E	50
794E	4016	Needle Bar Connecting Link Adjusting Screw	05
1021E	4016	Needle Bar Connecting Link Cap Screw	06
39601	4004	Needle Bar Connecting Stud with 1341c	25

No.	Plate	Name	Each
1341c	4004	Needle Bar Connecting Stud Set Screw	\$ 04
23477	4010	Needle Bar Crank with 858c, 1036c, 1065c and 1258c	80
1065c	4025	Needle Bar Crank Position Screw ..	10
858c	4002	" " " Set Screw	03
39794	4070	" " Frame with 4784	2 00
23558	4001	" " " Bell Crank with 1956	3 00
1956	4016	Needle Bar Frame Bell Crank Roller and Screw Stud with 229D, 1655E and 23389	35
1655E	4002	Needle Bar Frame Bell Crank Roller and Screw Stud Nut	04
229D	4014	Needle Bar Frame Bell Crank Roller Cap Screw	02
23389	4016	Needle Bar Frame Bell Crank Roller Cap Screw Washer	02
23667	4016	Needle Bar Frame Bell Crank Stud ..	75
23481	4001	" " " Cam and Bevel Gear	4 00
1244c	4016	Needle Bar Frame Cam and Bevel Gear Screw	20
39622	4048	Needle Bar Frame Connection with 1963 and 39616 to 39618	2 00
78c	4004	Needle Bar Frame Connection Hinge Screw	06
1963	4015	Needle Bar Frame Connection Roller and Stud	20
23483	4004	Needle Bar Frame Connection Spring	10
23484	4004	" " " " " " Hook	15
1226E	4002	Needle Bar Frame Connection Spring Screw Stud	04
23485	4004	Needle Bar Frame Connection Stud	05
196F	4007	" " " " " " Set Screw	02
23486	4016	Needle Bar Frame Driving Bevel Pinion with two 453c	1 00
453c	4013	Needle Bar Frame Driving Bevel Pinion Set Screw	02
23610	—	Needle Bar Frame Pitman (hinge screw end)	65
23609	—	Needle Bar Frame Pitman (regulator end)	40
190c	4013	Needle Bar Frame Pitman Adjusting Screw	03
7071	4003	Needle Bar Frame Pitman Adjusting Screw Washer	01

No.	Plate	Name	Each
23611	4016	Needle Bar Frame Pitman (adjustable) complete, Nos. 23609, 23610, two each 190c and 7071	\$1 15
1042F	4016	Needle Bar Frame Pitman Hinge Screw	06
1547D	4009	Needle Bar Frame Pitman Hinge Screw Nut	03
23491	4004	Needle Bar Frame Regulator	1 50
39900	—	" " " " 23491 with 1245c	1 60
1038c	4004	Needle Bar Frame Regulator Adjusting Screw	10
7070	4007	Needle Bar Frame Regulator Adjusting Screw Sleeve	10
1589c	4003	Needle Bar Frame Regulator Adjusting Screw Thumb Nut	06
1245c	4004	Needle Bar Frame Regulator Hinge Screw	12
673F	4016	Needle Bar Frame Screw Center	08
1517E	4016	" " " " " Nut	04
39837	4077	" Plate	1 00
404D	4007	" " Screw (2)	02
904R	4004	" Set Screw	02
39653	4048	Oscillating Rock Shaft	1 00
39654	—	Oscillating Rock Shaft complete, Nos. 4784, 23494 and 39653	1 50
23494	4006	Oscillating Rock Shaft Hinge Pin with 23421	50
23421	4013	Oscillating Rock Shaft Hinge Pin Oil Hole Plug (leather) Per 100	50
448c	4015	Oscillating Rock Shaft Hinge Pin Set Screw	03
4784	4013	Oscillating Rock Shaft Oil Pad	01
39655	4051	" Shaft	50
39656	4023	" " Bushing (back)	40
24047	4013	" " " (front)	40
39657	—	" " Crank	50
39692	4023	Oscillating Shaft Crank complete, Nos. 1636E, 15171, 39657 and two 1253c	1 10
1253c	4023	Oscillating Shaft Crank Set Screw ..	03
15170	4023	" " " Slide Block	35
229D	4014	" " " " " Cap Screw	02
12424	4014	Oscillating Shaft Crank Slide Block Cap Screw Washer	02
1035c	4017	Oscillating Shaft Crank Slide Block Screw Stud	15

No.	Plate	Name	Each
1636E	4017	Oscillating Shaft Crank Slide Block Screw Stud Nut	\$ 03
15171	4023	Oscillating Shaft Crank Slide Block complete, Nos. 229D, 1035C, 12424 and 15170	50
23497	4019	Pulley (loose)	1 75
40024	4035	" (tight)	2 50
23499	4019	" " Counterbalance	20
28034	4020	" " " Rivet	01
40025	4004	" " " Pin	01
23500	4017	Shuttle Bobbin	08
15140	4017	" " Case Latch	10
2973	4017	" " " " Lever	10
2974	4017	" " " " " Ful- crum Pin	Per 100 10
15141	—	Shuttle Bobbin Case Hinge, Nos. 2973, 2974 and 15140	25
2975	4017	Shuttle Bobbin Case Latch Spring ..	02
592E	4017	" " " " Stop Screw	02
40026	4065	" " " " Position Finger	05
2523	4017	" " " " " Rivet	Per 100 25
40027	4065	Shuttle Bobbin Case complete, Nos. 591F, 592E, 2523, 2975, 15141, 23680 and 40026	75
40028	4065	Shuttle Body	75
591F	4017	" Tension Regulating Screw	02
23680	4017	" " Spring	10
40029	4065	" 1 1/8 in. diam., Nos. 23500, 40027 and 40028	1 50
23505	4017	Shuttle Driver with 462C	75
2269	4017	" " Pin	01
462C	4017	" " Set Screw	02
14049	4018	" Race Back	40
2532	4018	" " " Position Pin..Per 100	10
2533	4018	" " " Spring	12
648D	4018	" " " " Screw	07
*23506	—	" " Body	—
39904	—	" " " 23506 with 7326 and two 662D	1 35
7326	4018	Shuttle Race Cap	15
662D	4018	" " " Screw	02
23621	4018	Shuttle Race complete, Nos. 648D, 2533, 14049, 39904 and two 2532	1 95
145F	4018	Shuttle Race Screw	04
39627	4053	Starting Lever	3 50
717C	4020	" " Adjusting Screw	08
1520E	4012	" " " " Nut	03
23556	4007	" " Belt Shifter	75

No.	Plate	Name	Each
159F	4020	Starting Lever Belt Shifter Screw ..	\$ 03
23510	4019	" " Bracket	1 00
8582	4013	" " " Dowel Pin (2) ..	02
123E	4020	" " " Screw	06
23511	4019	" " Rod	75
61C	4020	" " " Hinge Screw	06
564C	4020	" " " Screw Center (2)	12
1508E	4020	" " " " Nut (2)	06
14174	4020	" " Spring	08
124F	4002	" " Stop Screw	08
1518E	4002	" " " " Nut	04
39628	4050	Stop Cam with 39629	1 50
39580	4019	" " Interlocking Rod	50
23514	4020	" " " " Guide with 1070C and 1959	1 50
1070C	4020	Stop Cam Interlocking Rod Guide Set Screw	08
21650	4021	Stop Cam Interlocking Rod Guide Washer (rawhide)	02
21651	4021	Stop Cam Interlocking Rod Spring	10
913C	4021	" " " " " Regulating Thumb Screw	40
1638E	4021	Stop Cam Interlocking Rod Spring Regulating Thumb Screw Nut ..	12
39629	4059	Stop Cam Pin	15
23515	4021	" " Spring (long)	08
23516	4021	" " " (short)	05
23517	401F	" " " Cover with 23499, two each 9780 and 28034	25
9780	4021	Stop Cam Spring Cover Position Pin	01
997E	4021	" " " " Screw (2) ..	05
39637	4021	" " " Stop Block	30
1349C	4004	" " " " Screw	04
39638	4021	" " " " Block...	30
457C	4012	" " " " " Set Screw	02
23518	4010	" Lever	75
78D	4004	" " Hinge Screw	06
9540	4021	" " Spring	02
2102	4022	Tension (side of arm) Disc (2)	05
1560C	4022	" " " Regulating Thumb Nut	04
23519	4022	Tension (side of arm) Releaser with 200F	30
40033	4054	Tension (side of arm) Releaser Arm with 641C	1 25
12538	4060	Tension (side of arm) Releaser Arm Pin	01
641C	4060	Tension (side of arm) Releaser Arm Set Screw	03

212

Parts for Machine No. 71-46

No.	Plate	Name	Each
40051	4054	Tension (side of arm) Releaser Lever with 641c	\$1 00
40052	4057	Tension (side of arm) Releaser Lever Lock Pin	10
1352C	4057	Tension (side of arm) Releaser Lever Lock Pin Screw Bushing	06
40053	4057	Tension (side of arm) Releaser Lever Lock Pin Spring	02
2117	4012	Tension (side of arm) Releaser Lever Pin	01
641c	4060	Tension (side of arm) Releaser Lever Set Screw	03
40054	4054	Tension (side of arm) Releaser Lever Shaft	75
40067	4054	Tension (side of arm) Releaser Lever Shaft Bracket	1 25
966D	4025	Tension (side of arm) Releaser Lever Shaft Bracket Screw (4)	04
40060	4052	Tension (side of arm) Releaser Lever Spring	10
1241E	4015	Tension (side of arm) Releaser Lever Spring Screw Stud (2)	05
717C	4020	Tension (side of arm) Releaser Lever Stop Screw	08
1520E	4012	Tension (side of arm) Releaser Lever Stop Screw Nut	03
200F	4022	Tension (side of arm) Releaser Set Screw	03
39797	4077	Tension (side of arm) Releaser Shaft	15
39798	4077	“ “ “ “	
		Crank	75
679C	4060	Tension (side of arm) Releaser Shaft Crank Ball Screw Stud	12
1520E	4012	Tension (side of arm) Releaser Shaft Crank Ball Screw Stud Nut	03
2269	4017	Tension (side of arm) Releaser Shaft Crank Pin	01
413F	4022	Tension (side of arm) Screw Stud	10
8238	4022	“ “ “ Spring	05
23669	4022	“ “ “ “ Thread Guard	10
460C	4013	“ “ “ “ “	
		Set Screw	02
40035	4058	Thread (lower) Cutting Blade	30
40036	4058	“ “ “ “ Carrier	
		with 40038	1 25
40037	4054	Thread (lower) Cutting Blade Carrier Lever	2 00
32c	4025	Thread (lower) Cutting Blade Carrier Lever Hinge Screw	10

Parts for Machine No. 71-46

213

No.	Plate	Name	Each
39736	4058	Thread (lower) Cutting Blade Carrier Lever Spring	\$ 05
1241E	4015	Thread (lower) Cutting Blade Carrier Lever Spring Screw Stud (2)	05
435C	4058	Thread (lower) Cutting Blade Carrier Lever Stop Screw	04
1520E	4012	Thread (lower) Cutting Blade Carrier Lever Stop Screw Nut	03
40038	4058	Thread (lower) Cutting Blade Carrier Stud	15
39646	4058	Thread (lower) Cutting Blade Friction Plate	25
228F	4058	Thread (lower) Cutting Blade Friction Plate Screw	02
240D	4003	Thread (lower) Cutting Blade Screw (2)	02
39727	4078	Thread (lower) Cutting Lever	1 25
1351c	4060	“ “ “ “ Ball Screw	10
1520E	4012	Thread (lower) Cutting Lever Ball Screw Nut	03
40039	4060	Thread (lower) Pull-off Finger	1 00
106C	4057	“ “ “ “ Guide Screw	04
1350c	4060	Thread (lower) Pull-off Finger Hinge Screw	05
12400	4022	Thread Retainer Sleeve	05
12401	4022	“ “ Spring	01
12402	4022	“ “ Stud	07
460C	4013	“ “ “ Set Screw	02
12399	—	Thread Retainer complete, Nos. 12400 to 12402	15
23523	4023	Thread Take-up Crank	30
1036C	4023	“ “ “ Position Screw	03
1258C	4023	“ “ “ Set Screw	02
23524	4023	“ “ “ Lever	1 00
12166	4023	“ “ “ Hinge Pin	05
23543	4023	“ “ “ Link	40
11204	4023	“ “ “ “ Hinge Pin	15
435C	4058	“ “ “ “ “ “	
		Set Screw	04
23525	—	Thread Take-up Lever complete, Nos. 12166, 23524 and 23543	1 45
4784	4013	Thread Take-up Lever Oil Pad	01
7335	4022	“ “ Spring	03
23526	4022	“ “ “ Regulator	25
446C	4025	“ “ “ “ Set Screw	03

LIST OF PARTS COMPLETE

FOR

MACHINE No. 71-47

For Tacking and Finishing the Ends of Binding on Corsets.

Makes a Whip Stitch Tack from $\frac{1}{4}$ in. Upward.

Has No Barring or Cutting Device.

No.	Plate	Name	Each
*23670	—	Arm with 24081	\$ —
8582	4013	" Dowel Pin (2)	02
748E	4025	" Screw (back) (2)	08
868E	4025	" " (front) (2)	10
23352	4030	" Shaft	2 50
*24081	—	" Bushing (front)	—
12357	4000	" Flanged Bushing (back)	20
435C	4058	" " " " " Set Screw	04
4784	4013	Arm Shaft Oil Pad	01
1069D	4025	" Screw	12
12193	4000	" Side Cover	10
286D	4024	" " " Thumb Screw	10
23671	4033	" Top Cover	25
808F	4025	" " " Screw	03
*39835	—	Bed	—
39538	4032	" Oil Guard	75
1235F	4009	" " " Screw (2)	04
39647	4066	Clamp Arm	4 00
625F	4009	" Adjusting Screw (2)	05
1547D	4009	" " " Nut (2)	03
39584	4034	" Bracket with 196F	1 00
40003	4041	" " " Guide (left)	20
217F	4025	" " " " Screw (2)	03
40004	4041	Clamp Arm Bracket Guide (right)	20
217F	4025	" " " " " " Screw (2)	03
191C	4022	Clamp Arm Bracket Screw (3)	03
39541	4040	" " " " Washer (3)	05
23379	4007	" " Hinge Block	1 00
23380	4007	" " " " Pin	05
196F	4007	" " " " " Set Screw	02

Parts for Machine No. 71-47

215

No.	Plate	Name	Each
1231F	4007	Clamp Arm Screw (3)	\$ 02
39507	4006	" Carrier	3 00
40006	4004	" " Block with 40007 and four 404D	75
40007	4004	Clamp Carrier Block Plate	20
404D	4007	" " " " Screw	02
23384	4007	" " Connecting Rod	50
52C	4007	" " " " Hinge Screw	10
39591	4004	Clamp Carrier Guide (left)	25
756D	4004	" " " " Screw	02
23385	4007	" " " (right)	50
1230F	4007	" " " " Screw (3)	03
40010	4035	" " Regulator with 240D, 1960 and 39533	2 50
1232C	4007	Clamp Carrier Regulator Hinge Screw	12
1960	4007	Clamp Carrier Regulator Roller and Screw Stud with 1520E	35
1520E	4012	Clamp Carrier Regulator Roller and Screw Stud Nut	03
39544	4042	Clamp Carrier Regulator Slide	30
201210G	4102	" " " Stud (to regu- late length of tack)	10
1671C	4009	Clamp Carrier Regulator Stud Nut	08
39532	4009	" " " " Sleeve	10
39583	4009	" " " " Stop	10
240D	4003	" " " " " " Screw	02
39807	4078	Clamp Carrier Slide with 39591 and three 756D	4 00
23392	4008	Clamp Carrier Slide Guide (left)	40
914F	4008	" " " " " Screw (2)	04
23393	4008	Clamp Carrier Slide Guide (right)	40
914F	4008	" " " " " Screw (2)	04
1346D	4102	Clamp Carrier Slide Screw (2)	07
39802	4102	" Check	75
39707	4056	" " Holder	3 50
212D	4066	" " " Hinge Cap Screw	04
237F	4056	" " " Stop Screw	02
39715	4066	" " " " Washer	02
1296C	4066	" " Screw (2)	02
1296C	4066	" " Stop Screw	02
39549	4042	" Lifting Arm	50
1235F	4009	" " " Screw	04
40020	4055	" Plate	1 25
1235F	4009	" " Screw	04

No.	Plate	Name	Each
23573	4005	Clamp Plate Support	\$ 25
402D	4007	" " " Screw (2)	02
23574	4009	" Post	75
1659C	4009	" Pressure Regulating Thumb Nut	10
23404	4009	" Spring	15
23693	4009	" " Bushing	1 00
1294C	4009	" " " Position Stud	03
1550H	4009	" " " " " Nut	03
24028	4000	Crank Connecting Rod with 24085 and two 896E	1 35
*24085	—	Crank Connecting Rod Cap	—
896E	4025	" " " " Screw	04
908C	4025	" " " " Hinge Screw	12
1619E	4025	" " " " " " Nut	05
23406	4000	Face Plate	1 25
217F	4025	" " " Screw (2)	03
23672	4033	Feed Connecting Rod with 12204 and two 145E	1 00
*12204	—	Feed Connecting Rod Cap	—
145E	4018	" " " " Screw	04
375C	4025	" " " " Hinge Screw	12
1518E	4002	" " " " " Nut	04
23412	4013	" Eccentric with 448c	2 50
448c	4015	" " " Set Screw	03
23413	4000	" Hand Ratchet Lever with 214D and 1049c	75
23414	4013	Feed Hand Ratchet Lever Collar with two 453c	50
453c	4013	Feed Hand Ratchet Lever Collar Set Screw	02
39567	—	Feed Hand Ratchet Lever Pawl Body with 214D	50
39522	4000	Feed Hand Ratchet Lever Pawl complete, Nos. 207c, 39523, 39567 and two 1049c	75
90D	4013	Feed Hand Ratchet Lever Pawl Hinge Screw	05
39523	4012	Feed Hand Ratchet Lever Pawl Point	25
1049c	4013	Feed Hand Ratchet Lever Pawl Point Position Screw	02
207c	4012	Feed Hand Ratchet Lever Pawl Point Screw	02
13218	4013	Feed Hand Ratchet Lever Pawl Spring	05
214D	4013	Feed Hand Ratchet Lever Pawl Spring Screw	03

No.	Plate	Name	Each
1049c	4013	Feed Hand Ratchet Lever Pawl Stop Screw	\$ 02
23416	4013	Feed Hand Ratchet Wheel with 460c	1 25
3012	4013	" " " " Pin	01
460c	4013	" " " " Set Screw	02
23418	4000	" Rock Shaft	1 50
23419	—	Feed Rock Shaft complete, Nos. 23418 and 23420	2 10
23420	4000	Feed Rock Shaft Hinge Pin with 23421	60
23421	4013	Feed Rock Shaft Hinge Pin Plug (leather) Per 100	50
448c	4015	Feed Rock Shaft Hinge Pin Set Screw	03
39803	—	Feed Wheel with two 23432 and four 220D	6 00
150c	4012	Feed Wheel Cap Screw	10
23424	4010	" " " Driving Lever	3 00
39597	4045	" " " " Block with 602D and 39598 (2)	80
769c	4045	Feed Wheel Driving Lever Block Adjusting Screw	06
39594	4045	Feed Wheel Driving Lever Block Adjusting Screw Bracket with 769c, 898c and 39504 (2)	60
158H	4045	Feed Wheel Driving Lever Block Adjusting Screw Bracket Screw (4)	03
898c	4045	Feed Wheel Driving Lever Block Adjusting Screw Clamping Screw	04
39504	4064	Feed Wheel Driving Lever Block Adjusting Screw Clamping Screw Washer	01
39598	4045	Feed Wheel Driving Lever Block Lock Spring	03
602D	4045	Feed Wheel Driving Lever Block Lock Spring Screw	02
23428	4012	Feed Wheel Driving Lever Pitman with 23429, 50088c and two 196F	1 65
50088c	4072	Feed Wheel Driving Lever Pitman Ball Joint Screw	15
*23429	—	Feed Wheel Driving Lever Pitman Cap	—
196F	4007	Feed Wheel Driving Lever Pitman Cap Screw	02
23427	4010	Feed Wheel Driving Lever Plate	25
404D	4007	" " " " " Screw	02
1236c	4012	" " " " " Regulating Screw	12

Parts for Machine No. 71-47

No.	Plate	Name	Each
7070	4007	Feed Wheel Driving Lever Regulating Stud Sleeve	\$ 10
1658A	4008	Feed Wheel Driving Lever Regulating Stud Thumb Nut	15
1237C	4012	Feed Wheel Friction Ring Screw	10
1520E	4012	" " " " " "	
		Nut	03
14017	4012	Feed Wheel Friction Ring Screw Washer	05
23552	4010	Feed Wheel Friction Ring Section (long)	45
23553	4010	Feed Wheel Friction Ring Section (short)	45
23554	4012	Feed Wheel Friction Ring Spring ...	10
23555	—	Feed Wheel Friction Ring complete, Nos. 23552 to 23554	1 00
2117	4012	Feed Wheel Pin	01
2254	4045	" " Retaining Clutch	20
39595	4045	" " " " Cap	10
898C	4045	" " " " " Screw	04
39504	4064	" " " " " " Washer	01
2256	4045	Feed Wheel Retaining Clutch Spring	03
233D	4007	" " " " " " Screw	02
721D	4045	Feed Wheel Retaining Clutch Spring Stop Screw	06
39596	4045	Feed Wheel Retaining Clutch Stud ..	25
23431	4010	" " Shaft	1 50
457C	4012	" " " Oil Hole Plug Screw	02
23433	4010	" " Tripping Lever	2 00
1257C	4012	" " " " Hinge Screw	15
23587	4012	Feed Wheel Tripping Lever Point	25
203C	4003	" " " " " " Screw (2)	03
23435	4013	Feed Wheel Tripping Lever Spring	10
190D	4013	" " " " " " Screw	03
179E	4004	Feed Wheel Tripping Lever Stop Screw	03
23432	4012	Feed Wheel Tripping Point	40
220D	4012	" " " " " Screw ..	02
39805	4071	Guide (back), for locating ends of corsets	50
39806	4071	Guide (side), for locating ends of corsets	50
1238F	4026	Guide Screw	03
203149	4102	" " Washer	01

Parts for Machine No. 71-47

No.	Plate	Name	Each
40066	4071	Needle Bar with 857H	\$ 80
23476	4016	" " Connecting Link with 794E	50
794E	4016	" " " " Adjusting Screw	05
1021E	4016	Needle Bar Connecting Link Cap Screw	06
39601	4004	Needle Bar Connecting Stud with 1341c	25
1341c	4004	Needle Bar Connecting Stud Set Screw	04
23477	4010	Needle Bar Crank with 858c, 1036c, 1065c and 1258c	80
1065c	4025	Needle Bar Crank Position Screw ...	10
858c	4002	" " " Set Screw	03
23478	4006	" " Frame with 4784	2 00
23674	4033	" " " Cam and Bevel Gear	3 00
1244c	4016	Needle Bar Frame Cam and Bevel Gear Screw	20
23486	4016	Needle Bar Frame Driving Bevel Pinion with two 453c	1 00
453c	4013	Needle Bar Frame Driving Bevel Pinion Set Screw	02
23610	—	Needle Bar Frame Pitman (hinge screw end)	65
23675	—	Needle Bar Frame Pitman (regulator end)	30
190c	4013	Needle Bar Frame Pitman Adjusting Screw	03
7071	4003	Needle Bar Frame Pitman Adjusting Screw Washer	01
23676	4033	Needle Bar Frame (adjustable) complete, Nos. 23610, 23675, two each 190c and 7071	1 00
1042F	4016	Needle Bar Frame Pitman Hinge Screw	06
1547D	4009	Needle Bar Frame Pitman Hinge Screw Nut	03
23677	4033	Needle Bar Frame Regulator with 1956	2 25
1038c	4004	Needle Bar Frame Regulator Adjusting Screw	10
7070	4007	Needle Bar Frame Regulator Adjusting Screw Sleeve	10
1589c	4003	Needle Bar Frame Regulator Adjusting Screw Thumb Nut	06
1956	4016	Needle Bar Frame Regulator Roller and Screw Stud with 229D, 1655E and 23389	35

No.	Plate	Name	Each
1655E	4002	Needle Bar Frame Regulator Roller and Screw Stud Nut	\$.04
229D	4014	Needle Bar Frame Regulator Roller Cap Screw02
23667	4016	Needle Bar Frame Regulator Stud ..	.75
303C	4074	" " " Screw Center (lower)06
1608C	4014	Needle Bar Frame Screw Center (lower) Nut05
673E	4016	Needle Bar Frame Screw Center (upper)08
1517E	4016	Needle Bar Frame Screw Center (upper) Nut04
39804	4071	Needle Plate	1 .00
404D	4007	" " Screw (2)02
857H	4071	" Set Screw02
39653	4048	Oscillating Rock Shaft	1 .00
39654	—	Oscillating Rock Shaft complete, Nos. 4784, 23494 and 39653	1 .50
23494	4006	Oscillating Rock Shaft Hinge Pin with 2342150
23421	4013	Oscillating Rock Shaft Hinge Pin Oil Hole Plug (leather) Per 100	.50
878D	4013	Oscillating Rock Shaft Hinge Pin Oil Hole Stop Screw06
12459	4013	Oscillating Rock Shaft Hinge Pin Oil Hole Stop Screw Washer (leather)50
448C	4015	Oscillating Rock Shaft Hinge Pin Set Screw03
4784	4013	Oscillating Rock Shaft Oil Pad01
39655	4051	" Shaft50
39656	4023	" " Bushing (back)40
24047	4013	" " " (front)40
39657	—	" " Crank50
39658	4023	Oscillating Shaft Crank complete, Nos. 1636E, 24050, 39657 and two 1253c	1 .05
1253C	4023	Oscillating Shaft Crank Set Screw ..	.03
19448	4017	" " " Slide Block35
229D	4014	" " " " Cap Screw02
12424	4014	Oscillating Shaft Crank Slide Block Cap Screw Washer02
1035C	4017	Oscillating Shaft Crank Slide Block Screw Stud15
1636E	4017	Oscillating Shaft Crank Slide Block Screw Stud Nut03

No.	Plate	Name	Each
24050	4017	Oscillating Shaft Crank Slide Block complete, Nos. 229D, 1035C, 12424 and 19448	\$ 50
23497	4019	Pulley (loose)	1 .75
40024	4035	" (tight)	2 .50
23499	4019	" " Counterbalance20
28034	4020	" " " Rivet01
40025	4004	" " Pin01
23500	4017	Shuttle Bobbin08
15140	4017	" " Case Latch10
2973	4017	" " " " Lever10
2974	4017	" " " " " Fulcrum Pin	Per 100 .10
15141	—	Shuttle Bobbin Case Hinge, Nos. 2973, 2974 and 1514025
2975	4017	Shuttle Bobbin Case Latch Spring02
592C	4017	" " " " Stop Screw02
15027	4050	" " " " Position Finger05
2523	4017	" " " " " Rivet	Per 100 .25
15277	4072	Shuttle Bobbin Case complete, Nos. 591F, 592E, 2523, 2975, 15027, 15141 and 1527875
39577	4050	Shuttle Body75
591F	4017	" Tension Regulating Screw02
15278	4072	" Spring10
39578	4050	" 1 1/4 in. diam., Nos. 15277, 23500 and 39577	1 .50
23505	4017	Shuttle Driver with 462c75
2269	4017	" " Pin01
462C	4017	" " Set Screw02
14049	4018	" Race Back40
2532	4018	" " " Position Pin...Per 100	.10
2533	4018	" " " Spring12
648D	4018	" " " " Screw07
*23506	—	" " Body	—
39904	—	" " " 23506 with 7326 and two 662D	1 .35
7326	4018	Shuttle Race Cap15
662D	4018	" " " Screw02
23621	4018	Shuttle Race complete, Nos. 648D, 2533, 14049, 39904 and two 2532 ..	1 .95
145F	4018	Shuttle Race Screw (2)04
23509	4019	Starting Lever	3 .50
717C	4020	" " Adjusting Screw08
1520E	4012	" " " " Nut ..	.03
21643	4020	" " Belt Shifter75
159F	4020	" " " " Screw03
23510	4019	" " Bracket	1 .00

No.	Plate	Name	Each
8582	4013	Starting Lever Bracket Dowel Pin (2)	\$ 02
123E	4020	" " " Screw	06
23511	4019	" " Rod	75
61C	4020	" " " Hinge Screw	06
564C	4020	" " " Screw Center (2)	12
1508E	4020	" " " " Nut	06
14174	4020	" " Spring	08
124F	4002	" " Stop Screw	08
1518E	4002	" " " " Nut	04
39628	4050	Stop Cam with 39629	1 50
39580	4019	" " Interlocking Rod	50
40031	4071	" " " " Guide with 1070c	1 00
1070C	4020	Stop Cam Interlocking Rod Guide Set Screw	08
21650	4021	Stop Cam Interlocking Rod Guide Washer (rawhide)	02
21651	4021	Stop Cam Interlocking Rod Spring	10
913C	4021	" " " " Reg- ulating Thumb Screw	40
1638E	4021	Stop Cam Interlocking Rod Spring Regulating Thumb Screw Nut	12
39629	4059	Stop Cam Pin	15
23515	4021	" " Spring (long)	08
23516	4021	" " " (short)	05
23517	4019	" " " Cover with 23499, two each 9780 and 28034	25
9780	4021	Stop Cam Spring Cover Position Pin	01
997E	4021	" " " Screw (2)	05
39637	4021	" " " Stop Block	30
1349C	4004	" " " " Screw	04
39638	4021	" " " " Block	30
457C	4012	" " " " " Set Screw	02
23518	4010	" Lever	75
78D	4004	" " " Hinge Screw	06
9540	4021	" " Spring	02
2102	4022	Tension (side of arm) Disc (2)	05
1560C	4022	" " " " Regulating Thumb Nut	04
23519	4022	Tension (side of arm) Releaser with 200F	30
200F	4022	Tension (side of arm) Releaser Set Screw	03
23520	4022	Tension (side of arm) Releaser Shaft	10
23521	4022	" " " " " " "	40
23694	4022	Tension (side of arm) Releaser Shaft Arm Connection	25

No.	Plate	Name	Each
23695	4022	Tension (side of arm) Releaser Shaft Arm Connection Bracket	\$ 25
191C	4022	Tension (side of arm) Releaser Shaft Arm Connection Screw	03
39541	4040	Tension (side of arm) Releaser Shaft Arm Connection Screw Washer	05
2269	4017	Tension (side of arm) Releaser Shaft Arm Pin	01
418F	4022	Tension (side of arm) Screw Stud	10
8238	4052	" " " " Spring	05
23669	4022	" " " " Thread Guard	10
460C	4013	" " " " " "	02
39838	4075	Set Screw	02
240D	4003	Thread Cutter and Holder	03
12400	4022	" " " " Screw	02
12401	4022	" Retainer Sleeve	05
12401	4022	" " Spring	01
12402	4022	" " Stud	07
460C	4013	" " " " Set Screw	02
12399	—	Thread Retainer complete, Nos. 12400 to 12402	15
23523	4023	Thread Take-up Crank	80
1036C	4023	" " " Position Screw	03
1258C	4023	" " " " Set Screw	02
23524	4023	" " " Lever	1 00
12166	4023	" " " Hinge Pin	05
23543	4023	" " " Link	40
11204	4023	" " " " Hinge Pin	15
435C	4058	" " " " " " "	04
23525	—	Set Screw	04
4784	4013	Thread Take-up Lever complete, Nos. 12166, 23524 and 23543	1 45
7335	4022	Thread Take-up Lever Oil Pad	01
23526	4022	" " Spring	03
446C	4025	" " " Regulator	25
		" " " " Set Screw	03

ACCESSORIES

FOR MACHINES NOS. 71-2 AND 71-10

No.	Plate	Name	Each
23530	4026	Gauge, for $\frac{1}{4}$ to 1 in., for setting length of buttonhole	\$ 20
23445	—	Knife, $\frac{3}{8}$ inch	20
23447	—	" $\frac{1}{2}$ inch	20
23451	4014	" $\frac{3}{4}$ inch	20
23500	4017	Shuttle Bobbin (5)	08
71 x 1	—	Needles, three each, sizes 14 and 15	Per doz. 25
23527	4030	Drip Pan with two wood screws $\frac{1}{4}$ in., No. 5, R.H.B.	25
41401	4032	Machine Rest Pin (wood), $5\frac{1}{8}$ in. long	06
36565	4079	Oiler (copper plated) with 36566	15
36566	4079	" Spout, 9 in. long	08
11831	4028	Screw Driver, 5 in. blade (machine, large)	20
26026	4028	Screw Driver (machine, small)	10
26485	4028	" " (shuttle tension)	05
10875	4028	Wrench, for 1518 and 1520	10
21654	4028	" " 1508 and 1638	10
23535	4028	" " 1671, for regulating length of buttonhole	20

BOBBIN WINDER

Swinging Automatic, Right Hand

27914	4029	Base, with 27916 and two 28084	25
27915	4029	" Plate	20
389F	4025	" " Screw	04
389F	4025	" " Screw	04
15072	4003	Bobbin Position Pin	Per 100 10
27916	4024	Brake (leather)	02
28084	4024	" Rivet	01
27302	4029	Frame	15
32D	4025	" Hinge Screw	10
27917	4024	" Spring	03
27918	4029	Pulley	50
27538	4029	Spindle with 15072	20
27919	4029	Stop Latch	10
35D	4025	" " Hinge Screw	07
27920	4029	Tension Bracket with 452c	25

Accessories

No.	Plate	Name	Each
27921	4029	Tension Bracket complete, Nos. 5989, 10145, 27920 and 27922	\$ 60
135D	4025	Tension Bracket Screw	05
2455	4024	" Disc	02
1562J	4024	" Regulating Thumb Nut	04
418D	4024	" Screw Stud	08
10141	4024	" Spring	01
10145	4024	" Thread Guide	01
5989	—	Tension complete, Nos. 418D, 1562J, 10141 and two 2455	15
27922	4029	Thread Eyelet Rod	20
452C	4025	" " " Set Screw	04
27923	4029	Bobbin Winder, Nos. 32D, 35D, 27302, 27538, 27914 and 27917 to 27919	1 40
27924	—	Bobbin Winder (swinging automatic, right hand) complete, Nos. 135D, 27915, 27921, 27923 and four 389F	2 40

IRON BASE

39910	4082	Bed Frame with 23528, two each 162D, 16555, 19398, four each 158E, 24106, six 14010 and four wood screws $1\frac{1}{4}$ in., No. 12	\$ 25
23528	4005	Bed Frame Clamp Lifting Arm Stop	10
162D	4025	" " " " " "	04
24106	4024	Bed Frame Cushion (felt)	02
158E	4024	" " " Screw	03
19226	4024	" " Hinge Connection	15
19398	—	" " " " 19226 with 211F and 19397	20
19397	4024	Bed Frame Hinge Connection Cap	03
211F	4024	" " " " " "	02
16555	4024	Bed Frame Hinge Plate	15
14010	4024	" " " " Rivet	01
39911	4084	Splash Guard	1 75
39912	4083	" " Hinge	05
200574E	11658	" " " Screw	05
201655J	11658	" " Locking Screw Wing Nut	08
39913	—	Bed Frame and Splash Guard complete, Nos. 39910, 39911, 201655J, two 39912 and eight 200574E	5 00

TABLE BELT GUIDES

23536	4031	Belt Guide with two 168E	20
168E	4025	" " " Set Screw	04
14229	4047	Bracket with 448c	30

No.	Plate	Name	Each
23538	4031	Pulley	\$ 50
39708	4047	" Shaft with 858c	50
858c	4002	" " Oil Hole Plug Screw	03
448c	4015	" " Set Screw	03
39716	4047	Table Belt Guide (single, left) complete, Nos. 14229, 23536, 23538, 39708 and four wood screws 1 1/4 in., No. 12, R.H.B.	1 50
39709	4047	Table Belt Guide (single, right) complete, Nos. 14229, 23536, 23538, 39708 and four wood screws 1 1/4 in., No. 12, R.H.B.	1 50

THREAD UNWINDER

For Two Large Spools or Two Large Cones of Thread

27623	2837	Spool Pin	08
155c	4016	" " Set Screw	03
41530	2837	" Rest	30
41531	—	" " 41530 with 1149c, two each 155c and 27623	50
1149c	4056	Spool Rest Set Screw	04
27940	2837	" Stand with 453c	20
41514	2837	" Weight, 4 in. diam., with 41515	15
41515	4024	" Center Pin	05
27739	2837	Thread Cone (wood)	05
41631	2837	" Guard with 208E and two 41569	35
41569	4085	" " Eyelet	02
41637	2837	" " Rod (lower)	10
41638	2837	" " (upper)	15
41639	2837	" " Coupling with two 456c	20
456c	4077	Thread Guard Rod Coupling Set Screw	02
453c	4013	Thread Guard Rod Set Screw	02
41640	—	Thread Guard Rod, 30 in. long, complete, Nos. 41637 to 41639	45
208E	4076	Thread Guard Set Screw	02
41533	2837	Thread Unwinder complete, Nos. 27940, 41531, 41631, 41640, two each 27739, 41514 and three wood screws 1 in., No. 12	1 80

TREADLE

14209	4030	Treadle	30
39569	—	" Chain, 45 in. long, with 39575 and 39576	30
39570	4047	Treadle Chain Guide Bracket	25
39571	4047	" " " Pulley	20

No.	Plate	Name	Each
1064D	4025	Treadle Chain Guide Pulley Screw ..	\$ 12
39575	4024	" " Hook (lower)	05
39576	4024	" " " (upper)	05
39572	4047	Treadle Chain Guide complete, Nos. 39570, two each 1064D, 39571 and wood screws 1 1/4 in., No. 12, R.H.B.	90
23551	4024	Treadle Chain Screw Eye	02
7585	4010	" Shaft	05
14210	4030	" Stand	25
14211	4030	Treadle complete, Nos. 7585, 14209, 14210 and four wood screws 1 1/4 in., No. 12	60

FOR MACHINE NO. 71-23

BOBBIN WINDER

Same as for No. 71-2 with the following exceptions:

41402	4067	Base Plate, in place of 27915	20
41403	—	Bobbin Winder (swinging automatic, right hand) complete, Nos. 135D, 27921, 27923, 41402 and four 389F, in place of 27924	2 45

FOR MACHINES NOS. 71-34, 71-40 AND 71-45

Same as for No. 71-2 with the following exceptions:

40048	4056	Thread (upper) Clamping Blade	20
40035	4058	" (lower) Cutting Blade	30
39609	4056	" (upper) Cutting Blade	20

FOR MACHINE NO. 71-35

Same as for No. 71-2 with the following exceptions:

39561	4042	Gauge, for 1/2 to 1 1/2 in., for setting length of buttonhole, in place of 23530	20
23455	—	Knife, 1 in., in place of 23445	20
23457	—	" 1 1/2 in., in place of 23447	20
23459	—	" 1 1/4 in., in place of 23451	20
39728	4072	Thread (upper) Clamping Blade	20
40035	4058	" (lower) Cutting Blade	30
39729	4072	" (upper) Cutting Blade	20
71 x 1	—	Needles, three each, sizes 16 and 18, in place of three each, sizes 14 and 15	25

FOR MACHINE NO. 71-42

Same as for No. 71-2 with the following exceptions:

No.	Plate	Name	Each
40048	4056	Thread (upper) Clamping Blade	\$ 20
40035	4058	" (lower) Cutting Blade	30
39609	4056	" (upper) Cutting Blade	20
71 x 1	—	Needles, three each, sizes 16 and 18, in place of three each, sizes 14 and 16 Per doz.	25

FOR MACHINES NOS. 71-5 AND 71-12

Same as for No. 71-2 with the following exceptions:

71 x 1	—	Needles, three each, sizes 16 and 18, in place of three each, sizes 14 and 16 Per doz.	25
--------	---	--	----

FOR MACHINE NO. 71-6

Same as for No. 71-2 with the following exceptions:

39561	4042	Gauge, for $\frac{1}{2}$ to $1\frac{1}{2}$ in., for setting length of buttonhole, in place of 23530	20
23455	—	Knife, 1 in., in place of 23445	20
23457	—	" $1\frac{1}{8}$ in., in place of 23447	20
23459	—	" $1\frac{1}{4}$ in., in place of 23451	20
71 x 1	—	Needles, three each, sizes 16 and 18, in place of three each, sizes 14 and 16 Per doz.	25

FOR MACHINE NO. 71-11

Same as for No. 71-2 with the following exceptions:

23455	—	Knife, 1 in., in place of 23445	20
23457	—	" $1\frac{1}{8}$ in., in place of 23447	20
23459	—	" $1\frac{1}{4}$ in., in place of 23451	20

FOR MACHINE NO. 71-13

Same as for No. 71-2 with the following exceptions:

23455	—	Knife, 1 in., in place of 23445	20
23457	—	" $1\frac{1}{8}$ in., in place of 23447	20
23459	—	" $1\frac{1}{4}$ in., in place of 23451	20
71 x 1	—	Needles, three each, sizes 16 and 18, in place of three each, sizes 14 and 16 Per doz.	25

FOR MACHINE NO. 71-23

Same as for No. 71-2 with the following exceptions:

No.	Plate	Name	Each
23590	—	Knife, $\frac{3}{8}$ in., in place of 23445	\$ 20
23592	—	" $\frac{1}{2}$ in., in place of 23447	20
23594	—	" $\frac{5}{8}$ in., in place of 23451	20
71 x 3	—	Needles, three each, sizes 14 and 16, in place of 71 x 1 Per doz.	35

FOR MACHINE NO. 71-46

Same as for No. 71-2 with the following exceptions:

39561	4042	Gauge, for $\frac{1}{2}$ to $1\frac{1}{2}$ in., for setting length of buttonhole, in place of 23530	20
40013	4134	Guide	10
1233F	4026	" Screw	03
39799	—	Knife, $\frac{3}{8}$ in., in place of 23445	20
39800	—	" $\frac{1}{2}$ in., in place of 23447	20
39801	—	" $\frac{5}{8}$ in., in place of 23451	20
40035	4058	Thread (lower) Cutting Blade	30
35143	4079	Tweezers (4 in.)	10
71 x 1	—	Needles, six, size 16, in place of three each, sizes 14 and 16 . . Per doz.	25

THREAD UNWINDER**For Three Large Spools or Three Large Cones of Thread**

41434	—	Spool Rest, in place of 41530	40
41435	—	" " 41434 with 1149c, three each 155c and 27623, in place of 41531	75
41632	—	Thread Guard with 208E and three 41569, in place of 41631	40
41438	—	Thread Unwinder complete, Nos. 27940, 41435, 41632, 41640, three each 27739, 41514 and wood screws 1 in., No. 12, in place of 41533	2 30

FOR MACHINE NO. 71-47

Same as for No. 71-2 with the following exceptions:

23530	(Gauge not used)	20
	(Knives 23445, 23447 and 23451 not used).	

CLAMP PARTS

For Shirt Neck Bands and Bosoms and Ladies' Waists.

FOR MACHINES NOS. 71-2, 71-5, 71-10, 71-12 AND 71-23

No.	Plate	Name	Each
39647	4066	Clamp Arm	\$4 00
39508	4045	" Check, for Machines Nos. 71-2, 71-5, 71-10 and 71-12	75
39648	4066	Clamp Check, for $\frac{1}{4}$ to 1 in. button- holes, for Machines Nos. 71-2, 71-5, 71-10 and 71-12	75
39663	4061	Clamp Check, for $\frac{1}{2}$ to $\frac{3}{4}$ in. button- holes, for Machine No. 71-23 ..	75
39691	4066	Clamp Check, for $\frac{1}{4}$ to 1 in. button- holes, for Machine No. 71-23 ..	75
39650	4066	Clamp Check Holder, for 39648 and 39691	3 50
39707	4056	Clamp Check Holder, for 39508 and 39663	3 50
212D	4066	Clamp Check Holder Hinge Cap Screw	04
237E	4056	Clamp Check Holder Stop Screw	02
39715	4066	" " " " " " " " Washer, for 39650 and 39707 ..	02
1296c	4066	Clamp Check Screw	02
1296c	4066	" " Stop Screw	02

For Shirt Neck Bands and Bosoms and Ladies' Waist.

FOR MACHINES NOS. 71-34, 71-40 AND 71-42

39647	4066	Clamp Arm	4 00
39731	4085	" Check with 1348c, 39733 and two 50138F, for $\frac{1}{2}$ to $\frac{3}{4}$ in. button- holes	7 00
39732	—	Clamp Check complete, for $\frac{1}{2}$ to $\frac{3}{4}$ in. buttonholes, Nos. 219F, 2269, 39731 and 39734	8 00
39650	4066	Clamp Check Holder	3 50
212D	4066	" " " Hinge Cap Screw	04
237F	4056	" " " Stop Screw	02
39715	4066	" " " " " Washer, for 39650	02

Clamp Parts

No.	Plate	Name	Each
1296c	4066	Clamp Check Screw	\$ 02
39733	4085	" " Section and Cutting Plate	1 25
50138E	4085	Clamp Check Section and Cutting Plate Screw	02
1348c	4056	Clamp Check Section and Cutting Plate Support Stud	02
1296c	4066	Clamp Check Stop Screw	02
39734	4085	Thread (upper) Clamping Blade	20
39735	4085	" " Cutting Blade	20

GUIDES

No.	Plate	Name	Each
23436	4026	Guide (back), for cuffs	\$ 10
23550	4027	" for shirt bands	10
23549	4027	" " bosoms	10
23441	4026	" (corner), for collars	10
23439	4026	" (left), for collars	10
23437	4026	" " " cuffs	10
23440	4026	" (right), for collars	10
23438	4026	" " " cuffs	10

KNIVES

FOR MACHINES NOS. 71-2, 71-5, 71-10 AND 71-12

No.	Plate	Name	Each
23443	—	Knife, $\frac{1}{4}$ inch	\$ 20
23444	—	" $\frac{1}{8}$ inch	20
23445	—	" $\frac{3}{8}$ inch	20
23446	—	" $\frac{7}{8}$ inch	20
23447	—	" $\frac{1}{2}$ inch	20
23448	—	" $\frac{3}{8}$ inch	20
23449	—	" $\frac{5}{8}$ inch	20
23450	—	" $\frac{1}{2}$ inch	20
23451	4014	" $\frac{3}{8}$ inch	20
23452	—	" $\frac{1}{2}$ inch	20
23453	—	" $\frac{7}{8}$ inch	20
23454	—	" $\frac{1}{2}$ inch	20
23455	—	" 1 inch	20

FOR MACHINES NOS. 71-6, 71-11 AND 71-13

23447	—	Knife, $\frac{1}{4}$ inch	20
23448	—	" $\frac{1}{8}$ inch	20
23449	—	" $\frac{3}{8}$ inch	20
23450	—	" $\frac{1}{2}$ inch	20
23451	4014	" $\frac{3}{8}$ inch	20
23452	—	" $\frac{1}{2}$ inch	20
23453	—	" $\frac{7}{8}$ inch	20
23454	—	" $\frac{1}{2}$ inch	20
23455	—	" 1 inch	20
23456	—	" $1\frac{1}{8}$ inch	20
23457	—	" $1\frac{1}{2}$ inch	20
23458	—	" $1\frac{3}{8}$ inch	20
23459	—	" $1\frac{1}{2}$ inch	20
39555	—	" $1\frac{1}{8}$ inch	20
39556	—	" $1\frac{3}{8}$ inch	20
39557	—	" $1\frac{1}{4}$ inch	20
39558	—	" $1\frac{1}{2}$ inch	20

FOR MACHINE NO. 71-23

23588	—	Knife, $\frac{1}{4}$ inch	20
23589	—	" $\frac{1}{8}$ inch	20
23590	—	" $\frac{3}{8}$ inch	20
23591	—	" $\frac{1}{2}$ inch	20

No.	Plate	Name	Each
23592	—	Knife, $\frac{1}{2}$ inch	\$ 20
23593	—	" $\frac{1}{4}$ inch	20
23594	—	" $\frac{3}{8}$ inch	20
23595	—	" $\frac{1}{2}$ inch	20
23596	4064	" $\frac{3}{4}$ inch	20
23597	—	" $\frac{1}{2}$ inch	20
23598	—	" $\frac{7}{8}$ inch	20
23599	—	" $\frac{1}{2}$ inch	20
23600	—	" 1 inch	20
23601	—	" $1\frac{1}{8}$ inch	20
23602	—	" $1\frac{1}{4}$ inch	20
23603	—	" $1\frac{3}{8}$ inch	20
23604	—	" $1\frac{1}{2}$ inch	20

FOR MACHINES NOS. 71-34, 71-40 AND 71-42

23445	—	Knife, $\frac{3}{8}$ inch	20
23446	—	" $\frac{1}{2}$ inch	20
23447	—	" $\frac{1}{2}$ inch	20
23448	—	" $\frac{1}{2}$ inch	20
23449	—	" $\frac{3}{8}$ inch	20
23450	—	" $\frac{1}{2}$ inch	20
23451	4014	" $\frac{3}{8}$ inch	20

FOR MACHINE NO. 71-35

23445	—	Knife, $\frac{3}{8}$ inch	20
23446	—	" $\frac{1}{2}$ inch	20
23447	—	" $\frac{1}{2}$ inch	20
23448	—	" $\frac{1}{2}$ inch	20
23449	—	" $\frac{3}{8}$ inch	20
23450	—	" $\frac{1}{2}$ inch	20
23451	4014	" $\frac{3}{8}$ inch	20
23452	—	" $\frac{1}{2}$ inch	20
23453	—	" $\frac{3}{8}$ inch	20
23454	—	" $\frac{1}{2}$ inch	20
23455	—	" 1 inch	20
23456	—	" $1\frac{1}{8}$ inch	20
23457	—	" $1\frac{1}{4}$ inch	20
23458	—	" $1\frac{3}{8}$ inch	20
23459	—	" $1\frac{1}{2}$ inch	20
39555	—	" $1\frac{1}{8}$ inch	20
39556	—	" $1\frac{1}{4}$ inch	20
39557	—	" $1\frac{3}{8}$ inch	20
39558	—	" $1\frac{1}{2}$ inch	20

FOR MACHINE NO. 71-45

No.	Plate	Name	Each
39834	—	Knife, $\frac{3}{8}$ inch	\$ 20
23443	—	" $\frac{1}{2}$ inch	20
23444	—	" $\frac{1}{2}$ inch	20
23445	—	" $\frac{3}{8}$ inch	20
23446	—	" $\frac{1}{2}$ inch	20
23447	—	" $\frac{1}{2}$ inch	20
23448	—	" $\frac{1}{2}$ inch	20
23449	—	" $\frac{3}{8}$ inch	20
23450	—	" $\frac{1}{2}$ inch	20
23451	4014	" $\frac{3}{8}$ inch	20

FOR MACHINE NO. 71-46

39799	—	Knife, $\frac{3}{8}$ inch	20
39840	—	" $\frac{1}{2}$ inch	20
39800	—	" $\frac{1}{2}$ inch	20
39831	—	" $\frac{1}{2}$ inch	20
39801	—	" $\frac{3}{8}$ inch	20
39841	—	" $\frac{1}{2}$ inch	20
39829	—	" $\frac{3}{8}$ inch	20
39842	—	" $\frac{1}{2}$ inch	20
39795	—	" $\frac{3}{8}$ inch	20
39839	—	" $\frac{1}{2}$ inch	20
39830	—	" 1 inch	20
39843	—	" $1\frac{1}{8}$ inch	20
39826	—	" $1\frac{1}{4}$ inch	20

MISCELLANEOUS PARTS

No.	Plate	Name	Each
39615	4046	Clamp Carrier Slide with 39591 and three 756b, for overall work, for Machines Nos. 71-2, 71-5, 71-10 and 71-12	\$4 35
39562	4041	Clamp Check, for 1½ in. buttonhole, for Machines Nos. 71-6, 71-11 and 71-13	75
39833	—	Clamp Check, for Machine No. 71-46	1 00
39573	4045	“ “ Adjusting Plate, for Machines Nos. 71-2, 71-5, 71-10, 71-12 and 71-23	50
39563	4041	Clamp Check Adjusting Plate, for Machines Nos. 71-6, 71-11 and 71-13	50
39824	—	Clamp Check Adjusting Plate, for Machine No. 71-46	50
39825	—	Clamp Check Holder, for Machine No. 71-46	50
39564	4041	Clamp Check Holder, for Machines Nos. 71-6, 71-11 and 71-13	50
39574	4045	Clamp Check Holder, for Machines Nos. 71-2, 71-5, 71-10, 71-12 and 71-23	50
23679	4032	Drip Pan, ¾ in. deep	75
39518	4007	Needle Plate, for collar and cuff work, for Machines Nos. 71-2, 71-5, 71-6 and 71-10 to 71-13	1 00

PARTS REQUIRED FOR MACHINES WHEN SET IN PAIRS

39808	4080	Clamp Check Lifting Chain Guide Pulley	\$ 20
39570	4047	Clamp Check Lifting Chain Guide Pulley Bracket	25
39809	—	Clamp Check Lifting Chain Guide Pulley Bracket complete, Nos. 39570, two each 1064d, 39808 and wood screws 1½ in., No. 12, R.H.B.	90
1064D	4025	Clamp Check Lifting Chain Guide Pulley Screw	12
39810	4080	Rock Shaft	10
20093	4080	“ “ Hanger (front) with two wood screws 1 in., No. 10	10

No.	Plate	Name	Each
7539	4080	Rock Shaft Hanger (back) with two wood screws 1 in., No. 10	\$ 08
6335	4080	Rock Shaft Knee Arm	10
6336	4080	“ “ “ “ 6335 with 2766 and 2767	40
2766	4080	Rock Shaft Knee Arm Hub with 356c	15
356c	4080	“ “ “ “ Set Screw	06
2767	4080	“ “ “ Plate with 356c ..	18
356c	4080	“ “ “ “ Set Screw ...	06
39813	4080	“ “ Starting Hook (left hand) with 39576	20
39811	4080	Rock Shaft Starting Hook (right hand) with 39576	20
6337	4080	Rock Shaft Starting Hook Bracket with two 356c	20
356c	4080	Rock Shaft Starting Hook Bracket Set Screw	06
39815	4080	Rock Shaft Starting Hook Chain, 14¼ in. long (left), with 39575	12
39816	4080	Rock Shaft Starting Hook Chain, 5¼ in. long (right), with 39575	08
39571	4047	Rock Shaft Starting Hook Chain Guide Pulley	20
39570	4047	Rock Shaft Starting Hook Chain Guide Pulley Bracket	25
39572	4047	Rock Shaft Starting Hook Chain Guide Pulley Bracket complete, Nos. 39570, two each 1064d, 39571 and wood screws 1½ in., No. 12, R.H.B.	90
1064D	4025	Rock Shaft Starting Hook Chain Guide Pulley Screw	12
2770	4080	Rock Shaft Stop Dog with 356c	12
356c	4080	“ “ “ “ Set Screw ...	06
39814	—	Rock Shaft complete (left hand), Nos. 2770, 6336, 6337, 7539, 20093, 39810 and 39813	1 15
39812	—	Rock Shaft complete (right hand), Nos. 2770, 6336, 6337, 7539, 20093, 39810 and 39811	1 15
39817	—	Rock Shaft and Treadle Chain Guide Combination complete, for left hand machines when set in pairs, Nos. 39572, 39814 and 39815	2 25
39818	—	Rock Shaft and Treadle Chain Guide Combination complete, for right hand machines when set in pairs, Nos. 39809, 39812 and 39816	2 20

KNIFE GRINDER

No.	Plate	Name	Each
39886	—	Emery Wheel, 4 in. diam.	\$ 60
39887	4083	" " Driving Shaft	1 25
201510D	11658	" " " " Nut	05
204101	11658	" " " " Washer	02
39888	4083	" " " " Oil Hole Cover	10
200283c	11658	Emery Wheel Driving Shaft Oil Hole Cover Screw	06
206963	11658	Emery Wheel Driving Shaft Pulley with two 200403c	35
200403c	11658	Emery Wheel Driving Shaft Pulley Set Screw	03
206969	—	Emery Wheel Washer (paper)	01
39889	4082	Knife Grinder Frame	2 00
39890	4086	" Holder (adjustable)	2 00
57c	4083	" " Hinge Screw	10
39891	4083	" " Indicator	10
203094	11658	" " " Position Pin	01
200165H	11658	" " " Screw	02
39892	4086	" " Slide Bracket with 200386c	1 50
201298c	11658	" " " Adjusting Screw	12
39893	4086	Knife Holder Slide Bracket Adjust- ing Screw Slide Plate	50
200577H	11658	Knife Holder Slide Bracket Adjust- ing Screw Slide Plate Screw ..	02
10249	4083	Knife Holder Slide Bracket Adjust- ing Screw Tension Spring	03
219F	4008	Knife Holder Slide Bracket Adjust- ing Screw Tension Spring Screw ..	02
200386c	11658	Knife Holder Slide Bracket Set Screw ..	02
39894	4086	" " " " Shaft	50
206232	11658	" " " " Collar with 201052c	15
201052c	11658	Knife Holder Slide Bracket Shaft Col- lar Set Screw	02
771D	4083	Knife Holder Thumb Screw	10
9525	4083	" " " " Washer	01
39895	4083	" Holding Spring	05
39896	4083	" " " Bracket	50
204264	11658	" " " " Position Pin	01
176D	4083	Knife Holding Spring Bracket Screw ..	03
204264	11658	" " " Position Pin ..	01
793D	4083	" " " Thumb Screw..	08

No.	Plate	Name	Each
39897	4083	Knife Stop (adjustable)	\$ 10
208D	4076	" " Screw	02
39898	—	Knife Grinder complete, Nos. 57c, 176D, 208D, 219F, 771D, 793D, 9525, 10249, 39886 to 39897, 200165H, 200283c, 201298c, 201510D, 203094, 204101, 206963, two each 200577H, 204264, 206232, 206969 and three wood screws 1¼ in. No. 12	10 00

OBSELETE PARTS

No.	Plate	Name	Each
23630	4003	Barring Indicator, for Machines Nos. 71-2, 71-5, 71-6, 71-23, 71-34, 71-35, 71-45 and 71-46	\$ 20
23374	4000	Belt Cover Bracket	50
39531	4034	Clamp Carrier	3 00
23699	4009	" Check, for wide bight, for over- all work, etc., for Machines Nos. 71-2, 71-5, 71-10 and 71-12	75
39534	4023	Knife Holder, for Machine No. 71-2..	2 50
39530	4009	Needle Plate, for overall work, for Machines Nos. 71-5, 71-10 and 71-12	1 00
23492	4016	Needle Plate, for general work, for Machines Nos. 71-2, 71-5, 71-10 and 71-12	1 00
24043	4006	Oscillating Rock Shaft, for 23493	1 00
23493	—	Oscillating Rock Shaft complete, Nos. 4784, 23494 and 24043	1 50
23417	4005	Oscillating Shaft	50
24046	4013	" " Bushing (back) ...	40
23495	—	" " Crank	50
23496	4017	Oscillating Shaft Crank complete, Nos. 231c, 1636E, 23495 and 24050	1 05
15142	4050	Shuttle Bobbin Case complete, Nos. 591F, 592E, 2523, 2975, 15027, 15098 and 15141, for Machines Nos. 71-5, 71-6, 71-12 and 71-13 ..	75
15098	4050	Shuttle Tension Spring, for 15142 ...	10
40032	4004	Stop Cam Spring Stop Screw Block..	15
23537	4031	Table Belt Guide Bracket with 448c	40
23539	4031	" " " Pulley Shaft with 436c	40
23540	4031	Table Belt Guide (double) complete, Nos. 23537, 23539, two each 23536, 23538 and four wood screws 1½ in., No. 12, R.H.B.	2 20

NUMERICAL LIST OF PARTS

FOR

MACHINES

**Nos. 71-2, 71-5, 71-6, 71-10 to
71-13, 71-23, 71-34, 71-35,
71-40, 71-42 and 71-45
to 71-47**

NUMERICAL LIST OF PARTS

No.	Plate	Name	Each
28c	4061	Cutting Connecting Rod Hinge Screw, for Machine No. 71-23	\$ 12
32D	4025	Bobbin Winder Frame Hinge Screw, for 27923	10
32c	4025	Thread (lower) Cutting Blade Carrier Lever Hinge Screw, for Machines Nos. 71-34, 71-35, 71-40, 71-42, 71-45 and 71-46	10
35D	4025	Bobbin Winder Stop Latch Hinge Screw, for 27923	07
41c	4059	Clamp Lifting Arm Connection Hinge Screw, for Machines Nos. 71-34, 71-35, 71-40, 71-42, 71-45 and 71-46	10
52c	4007	Clamp Carrier Connecting Rod Hinge Screw	10
54c	4014	Knife Bar Driving Lever (intermedi- ate) Connecting Link Hinge Screw	10
57c	4083	Knife Grinder Knife Holder Hinge Screw, for 39898	10
59D	4060	Clamp Lifting Arm Stop Pitman Hinge Screw, for Machines Nos. 71-34, 71-35, 71-40, 71-42, 71-45 and 71-46	07
61c	4020	Starting Lever Rod Hinge Screw ..	06
67D	4008	Clamp Carrier Slide Lever Regulator Screw, for all Machines except No. 71-47	12
68D	4052	Tension (top cover, front) Releasing Lever Hinge Screw, for Machine No. 71-23	08
68D	4052	Tension (top cover) Releasing Lever Hinge Screw, for Machine No. 71-2	08
78c	4004	Needle Bar Frame Connection Hinge Screw, for Machines Nos. 71-2, 71-5, 71-6, 71-23, 71-34, 71-35, 71-45 and 71-46	06
78D	4004	Stop Lever Hinge Screw	06
90D	4013	Feed Hand Ratchet Lever Pawl Hinge Screw	05
90c	4013	Knife Bar Disengaging Lever Catch Hinge Screw, for all Machines except Nos. 71-23 and 71-47	05

No.	Plate	Name	Each
90c	4013	Knife Bar Disengaging Lever Hinge Screw, for all Machines except Nos. 71-23 and 71-47	\$.05
90c	4013	Tension Releasing Lever Hinge Screw, for Machine No. 71-40	.05
90c	4013	Tension (top cover) Releasing Lever Hinge Screw, for Machine No. 71-45	.05
90c	4013	Thread (upper) Cutting Blade Opener Lever Hinge Screw, for Machine No. 71-45	.05
93H	4003	Barring Ratchet Pawl Spring Screw, for Machines Nos. 71-2, 71-5, 71-6, 71-23, 71-34, 71-35, 71-45 and 71-46	.04
106c	4057	Thread (lower) Pull-off Finger Guide Screw, for Machines Nos. 71-34, 71-35, 71-40, 71-42, 71-45 and 71-46	.04
106c	4057	Thread (upper) Cutting Blade Connecting Rod Hinge Screw, for Machines Nos. 71-34, 71-35, 71-40, 71-42 and 71-45	.04
109D	4008	Clamp Check Hinge Screw, for 39551 and 39587	.04
123E	4020	Starting Lever Bracket Screw	.06
124F	4002	Barring Lever Stop Screw, for Machines Nos. 71-2, 71-5, 71-6, 71-23, 71-34, 71-35, 71-45 and 71-46	.08
124F	4002	Starting Lever Stop Screw, for all Machines except No. 71-23	.08
135D	4025	Bobbin Winder Tension Bracket Screw, for 27924 and 41403	.05
145E	4018	Feed Connecting Rod Cap Screw, for 23672	.04
145F	4018	Shuttle Race Screw	.04
150c	4012	Feed Wheel Cap Screw	.10
155c	4016	Thread Unwinder Spool Pin Set Screw, for 41435 and 41531	.03
156F	4064	Knife Bar Disengaging Lever Catch Guide Plate Holder Position Screw, for 39673	.05
157F	4015	Clamp Lifting Arm Connection Roller and Screw Stud Bracket Screw, for Machines Nos. 71-34, 71-35, 71-40, 71-42, 71-45 and 71-46	.04
157D	4015	Knife Bar Disengaging Lever Catch Bracket Screw, for all Machines except Nos. 71-23 and 71-47	.04
157c	4015	Knife Holder Screw	.04

No.	Plate	Name	Each
158E	4024	Bed Frame Cushion Screw, for 23529 and 39910	\$.03
159F	4020	Starting Lever Belt Shifter Screw	.03
162D	4025	Bed Frame Clamp Lifting Arm Screw	.04
162D	4025	Clamp Lifting Arm Stop Bracket Screw, for Machines Nos. 71-34, 71-35, 71-40, 71-42, 71-45 and 71-46	.04
168E	4025	Table Belt Guide Set Screw for 23536	.04
171F	4064	Cutting Connecting Rod Slide Latch Tripping Lever Stop Screw, for 23582	.03
175D	4015	Knife Bar Disengaging Lever Catch Tripping Point Screw, for all Machines except Nos. 71-23 and 71-47	.02
176D	4083	Knife Grinder Knife Holding Spring Bracket Screw, for 39898	.03
179E	4004	Feed Wheel Tripping Lever Stop Screw	.03
181D	4013	Feed Rock Shaft Spring Screw, for Machines Nos. 71-2, 71-5, 71-6, 71-11, 71-23, 71-34, 71-35, 71-45 and 71-46	.04
185H	4045	Cutting Connecting Rod Slide Latch Stop Screw, for Machine No. 71-23	.02
185H	4045	Feed Wheel Driving Lever Block Adjusting Screw Bracket Screw	.02
190D	4013	Arm Side Cover Screw, for Machines Nos. 71-40 and 71-45	.03
190D	4013	Feed Wheel Tripping Lever Spring Screw	.03
190D	4013	Knife Bar Disengaging Lever Spring Screw, for Machine No. 71-23	.03
190D	4013	Knife Bar Disengaging Lever Tripping Bracket Screw, for Machine No. 71-23	.03
190c	4013	Needle Bar Frame Pitman Adjusting Screw for 23611 and 23676	.03
190D	4013	Thread (upper) Cutting Blade Opener Lever Latch Screw, for Machine No. 71-45	.03
191c	4022	Clamp Arm Bracket Screw, for 39551 and 39587	.03
191c	4022	Knife Bar Disengaging Lever Catch Spring Collar Set Screw, for 39675	.03
191c	4022	Knife Screw, for all Machines except Nos. 71-46 and 71-47	.03

Numerical List of Parts

No.	Plate	Name	Each
191C	4022	Tension Releaser Shaft Arm Connection Screw, for Machines Nos. 71-5, 71-6 and 71-10 to 71-13	\$ 03
191C	4022	Tension (side of arm) Releaser Shaft Arm Connection Screw, for Machines Nos. 71-2, 71-23 and 71-47	03
193F	4003	Barring Ratchet Wheel Tripping Point Screw, for Machines Nos. 71-2, 71-5, 71-6, 71-23, 71-34, 71-35, 71-45 and 71-46	03
193F	4003	Tension (top cover, back) Releaser Bracket (upper) Screw, for Machine No. 71-23	03
196F	4007	Clamp Arm Hinge Block Pin Set Screw, for 39540 and 39584	02
196F	4007	Feed Wheel Driving Lever Pitman Cap Screw, for 23428 and 39554 . .	02
196F	4007	Needle Bar Frame Connection Stud Set Screw, for Machines Nos. 71-2, 71-5, 71-6, 71-23, 71-34, 71-35, 71-45 and 71-46	02
199D	4059	Clamp Lifting Arm Screw, for Machines Nos. 71-34, 71-35, 71-40, 71-42, 71-45 and 71-46	04
200F	4022	Feed Disengaging Lever Roller and Stud Set Screw, for 39752	03
200F	4022	Tension Releaser Set Screw, for 23519	03
200F	4022	Tension (side of arm) Releaser Set Screw, for 23519	03
200F	4022	Thread (upper) Cutting Lever Shaft Crank Set Screw, for 39612	03
201F	4052	Tension Releaser Set Screw, for 39632	03
201F	4052	" (top cover) Releaser Set Screw, for 39632	03
201F	4052	Tension (top cover, front) Releaser Set Screw, for 39632	03
203C	4003	Barring Ratchet Retaining Pawl Adjusting Screw, for 23546	03
203C	4003	Feed Wheel Tripping Lever Point Screw	03
203F	4003	Thread (upper) Cutting Blade Connecting Rod Spring Bracket Screw, for Machines Nos. 71-34, 71-35, 71-40, 71-42 and 71-45	03
206F	4057	Thread (upper) Cutting Lever Shaft Crank Latch Spring Screw, for 39612	02

Numerical List of Parts

No.	Plate	Name	Each
207C	4012	Feed Hand Ratchet Lever Pawl Point Screw, for 39522	\$ 02
208E	4076	Cord Rotating Gear Slide Extension Screw, for Machine No. 71-46 . .	02
208D	4076	Knife Grinder Knife Stop Screw, for 39898	02
208E	4076	Thread Unwinder Thread Guard Set Screw, for 41631 and 41632	02
211F	4024	Bed Frame Hinge Connection Cap Screw, for 19398	02
212D	4066	Clamp Check Holder Hinge Cap Screw, for Machines Nos. 71-2, 71-5, 71-10, 71-12, 71-23, 71-34, 71-40, 71-42 and 71-47	04
214D	4013	Feed Hand Ratchet Lever Pawl Spring Screw, for 23413 and 39567	03
217F	4025	Clamp Arm Bracket Guide (left) Screw, for Machines Nos. 71-23, 71-34, 71-35, 71-40, 71-42 and 71-45 to 71-47	03
217F	4025	Clamp Arm Bracket Guide (right) Screw, for Machines Nos. 71-23, 71-34, 71-35, 71-40, 71-42 and 71-45 to 71-47	03
217F	4025	Face Plate Screw	03
217F	4025	Knife Bar Disengaging Lever Catch Guide Plate Screw, for Machine No. 71-23	03
217F	4025	Tension Thread Eyelet Screw, for Machine No. 71-40	03
217F	4025	Tension (top cover) Thread Eyelet Screw, for Machines Nos. 71-2 and 71-45	03
217F	4025	Tension (top cover, front) Thread Eyelet Screw, for Machine No. 71-23	03
219F	4008	Clamp Check Adjusting Plate Screw, for 39732, for Machines Nos. 71-10 to 71-13 and 71-46	02
219F	4008	Cord Rotating Sector Catch Connection Collar Set Screw, for 39777	02
219F	4008	Cord Rotating Sector Catch Spring Screw, for Machine No. 71-46 . .	02
219F	4008	Knife Grinder Knife Holder Slide Bracket Adjusting Screw Tension Spring Screw, for 39898	02
219F	4008	Thread (upper) Cutting Blade Screw, for 39551, 39587, 39693 and 39722	02

No.	Plate	Name	Each
220D	4012	Feed Wheel Tripping Point Screw, for 23673, 23698, 39552, 39749, 39792 and 39803	\$ 02
223D	4008	Clamp Carrier Slide Lever Regulator Cap Screw, for all Machines except No. 71-47	02
228F	4058	Thread (lower) Cutting Blade Friction Plate Screw, for Machines Nos. 71-34, 71-35, 71-40, 71-42, 71-45 and 71-46	02
229D	4014	Clamp Lifting Arm Connection Roller Cap Screw, for 1901	02
229D	4014	Knife Bar Driving Lever (intermediate) Roller Cap Screw, for 1959	02
229D	4014	Needle Bar Frame Bell Crank Roller Cap Screw, for 1956	02
229D	4014	Needle Bar Frame Regulator Roller Cap Screw, for 1956	02
229D	4014	Oscillating Shaft Crank Slide Block Cap Screw, for 15171 and 24050	02
230F	4102	Cord Leading Finger (upper) Screw, for Machine No. 71-46	02
231C	4017	Oscillating Shaft Crank Set Screw, for 23496	03
253D	4007	Clamp Carrier Regulator Stud Stop Screw, for 39543	02
233D	4007	Feed Wheel Retaining Clutch Spring Screw	02
236F	4102	Cord Leading Eye Screw, for Machine No. 71-46	02
236F	4102	Thread (upper) Cutting Blade Opener Lever Spring Screw, for Machine No. 71-45	02
237F	4056	Clamp Check Holder Stop Screw, for Machines Nos. 71-2, 71-5, 71-10, 71-12, 71-23, 71-34, 71-40, 71-42 and 71-47	02
237F	4056	Clamp Check Section and Cutting Plate Screw, for 39606 and 39721	02
237F	4056	Tension (top cover, back) Releaser Collar Set Screw, for 40043	02
237F	4056	Tension (top cover, back) Releaser Spring Adjusting Collar Set Screw, for 39704	02
237F	4056	Thread (upper) Cutting Blade Connecting Rod Collar (back) Set Screw, for 40043	02

No.	Plate	Name	Each
237F	4056	Thread (upper) Cutting Blade Connecting Rod Collar (front) Set Screw, for 40044	\$ 02
240D	4003	Barring Ratchet Retaining Pawl Spring Screw, for Machines Nos. 71-2, 71-5, 71-6, 71-23, 71-34, 71-35, 71-45 and 71-46	02
240D	4003	Clamp Carrier Regulator Stud Stop Screw, for 40010	02
240D	4003	Cord Rotating Sector Catch Screw, for Machine No. 71-46	02
240D	4003	Knife Bar Disengaging Lever Stop Screw, for all Machines except Nos. 71-23 and 71-47	02
240D	4003	Thread Cutter and Holder Screw, for Machine No. 71-47	02
240D	4003	Thread (lower) Cutting Blade Screw, for Machines Nos. 71-34, 71-35, 71-40, 71-42, 71-45 and 71-46	02
240D	4003	Thread (upper) Cutting Blade Connecting Rod Stop Screw, for Machine No. 71-35	02
286D	4024	Arm Side Cover Thumb Screw, for Machines Nos. 71-10 to 71-13, 71-23, 71-42 and 71-47	10
303C	4047	Needle Bar Frame Screw Center (lower), for Machine No. 71-47	06
337D	—	Cord Leading Finger (lower) Screw, for 39905	02
356C	4080	Rock Shaft Knee Arm Hub Set Screw, for 2766	06
356C	4080	Rock Shaft Knee Plate Set Screw, for 2767	06
356C	4080	Rock Shaft Starting Hook Bracket Set Screw, for 6337	06
356C	4080	Rock Shaft Stop Dog Set Screw, for 2770	06
375C	4025	Feed Connecting Rod Hinge Screw, for Machines Nos. 71-10 to 71-13, 71-40, 71-42 and 71-47	12
375C	4025	Feed Connecting Rod (lower) Hinge Screw, for Machines Nos. 71-2, 71-5, 71-6, 71-23, 71-34, 71-35, 71-45 and 71-46	12
389F	4025	Bobbin Winder Base Plate Screw, for 27924 and 41403	04
389F	4025	Bobbin Winder Base Screw, for 27924 and 41403	04

Numerical List of Parts

No.	Plate	Name	Each
389F	4025	Cord Leading Bracket Screw, for Machine No. 71-46	\$ 04
402D	4007	Clamp Arm Screw, for 39551, for Machine No. 71-46	02
402D	4007	Clamp Plate Support Screw	02
402D	4007	Starting Lever Cushion Screw, for Machine No. 71-23	02
404D	4007	Clamp Carrier Block Plate Screw, for 40006	02
404D	4007	Clamp Carrier Plate Screw (front), for all Machines except Nos. 71-46 and 71-47	02
404D	4007	Feed Wheel Driving Lever Plate Screw	02
404D	4007	Needle Plate Screw, for Machines Nos. 71-23, 71-34, 71-35, 71-40, 71-42 and 71-45 to 71-47	02
413F	4022	Tension Screw Stud, for Machines Nos. 71-5, 71-6, 71-10 to 71-13, 71-34, 71-40 and 71-42	10
413F	4022	Tension (side of arm) Screw Stud, for Machines Nos. 71-2, 71-23, 71-35 and 71-45 to 71-47	10
418D	4024	Bobbin Winder Tension Screw Stud, for 5989	08
435C	4058	Arm Shaft Flanged Bushing (back) Set Screw, for all Machines except Nos. 71-35 and 71-46	04
435C	4058	Thread (lower) Cutting Blade Carrier Lever Stop Screw, for Machines Nos. 71-34, 71-35, 71-40, 71-42, 71-45 and 71-46	04
435C	4058	Thread Take-up Lever Link Hinge Pin Set Screw	04
440C	4102	Cord Rotating Sector Catch Stop Screw, for Machine No. 71-46	03
446C	4025	Arm Shaft Flanged Bushing (back) Set Screw, for Machines Nos. 71-35 and 71-46	03
446C	4025	Thread Take-up Spring Regulator Set Screw	03
448C	4015	Feed Eccentric Set Screw, for 23412	03
448C	4015	Rock Shaft Hinge Pin Set Screw	03
448C	4015	Knife Bar Disengaging Lever Catch Tripping Point Collar Set Screw, for 23467	03
448C	4015	Oscillating Rock Shaft Hinge Pin Set Screw	03

Numerical List of Parts

No.	Plate	Name	Each
448C	4015	Table Belt Guide Pulley Shaft Set Screw, for 14229 and 23537	\$ 03
452C	4025	Bobbin Winder Thread Eyelet Rod Set Screw, for 27920	04
453C	4013	Cord Rotating Gear Slide Flange Set Screw, for 39782	02
453C	4013	Cord Rotating Tripping Cam Set Screw, for 39779	02
453C	4013	Feed Hand Ratchet Lever Collar Set Screw, for 23414	02
453C	4013	Needle Bar Frame Driving Bevel Pinion Set Screw, for 23486	02
453C	4013	Tension (top cover, back) Releasing Cam Set Screw, for 39705	02
453C	4013	Thread Unwinder Thread Guard Rod Set Screw, for 27940	02
456C	4077	Thread Unwinder Thread Guard Rod Coupling Set Screw, for 41639	02
457C	4012	Feed Wheel Shaft Oil Hole Plug Screw	02
457C	4012	Stop Cam Spring Stop Screw Set Screw	02
460C	4013	Belt Cover Hinge Block Pin Set Screw, for 23375	02
460C	4013	Feed Hand Ratchet Wheel Set Screw, for 23416	02
460C	4013	Tension Thread Guard Set Screw, for Machines Nos. 71-5, 71-6, 71-10 to 71-13 and 71-34	02
460C	4013	Tension (side of arm) Thread Guard Set Screw, for Machines Nos. 71-2, 71-23, 71-34, 71-35 and 71-45 to 71-47	02
460C	4013	Thread Guiding Stud Set Screw, for Machines Nos. 71-2, 71-23 and 71-45	02
460C	4013	Thread Retainer Stud Set Screw, for Machines Nos. 71-5, 71-6, 71-10 to 71-13, 71-34, 71-35, 71-40, 71-42, 71-46 and 71-47	02
460C	4013	Thread Take-up Spring Thread Guard Set Screw, for Machines Nos. 71-40 and 71-42	02
462C	4017	Shuttle Driver Set Screw, for 23505	02
462C	4017	Thread Retainer Stud Set Screw, for 39712	02
564C	4020	Starting Lever Screw Center	12

Numerical List of Parts

No.	Plate	Name	Each
591F	4017	Shuttle Tension Regulating Screw, for 15142, 15277, 23502, 39624 and 40027	\$ 02
592E	4017	Shuttle Bobbin Case Latch Stop Screw, for 15142, 15277, 23502, 39624 and 40027	02
602D	4045	Feed Wheel Driving Lever Block Lock Spring Screw, for 39597 ..	02
625F	4009	Clamp Arm Adjusting Screw, for 39551 and 39587	05
641c	4060	Tension Releaser Arm Set Screw, for 40033	03
641c	4060	Tension (side of arm) Releaser Arm Set Screw, for 40033	03
641c	4060	Tension (side of arm) Releaser Lever Set Screw, for 40051	03
641c	4060	Thread (upper) Cutting Lever Set Screw, for 40051	03
641c	4060	Thread (upper) Cutting Lever Shaft Collar Set Screw, for 39661	03
646F	4057	Thread (upper) Cutting Blade Connecting Rod Spring Collar Set Screw, for 40047	02
648D	4018	Shuttle Race Back Spring Screw, for 23621	07
662D	4018	Shuttle Race Cap Screw, for 39904 ..	02
673F	4016	Needle Bar Frame Screw Center, for all Machines except No. 71-47 ..	08
673F	4016	Needle Bar Frame Screw Center (upper), for Machine No. 71-47 ..	08
679c	4060	Tension Releaser Shaft Crank Ball Screw Stud, for Machines Nos. 71-34 and 71-42	12
679c	4060	Tension (side of arm) Releaser Shaft Crank Ball Screw Stud, for Machines Nos. 71-35, 71-45 and 71-46 ..	12
690D	4102	Thread (upper) Cutting Blade Opener Lever Trip Bracket Screw, for Machine No. 71-45	05
691F	4061	Cutting Connecting Rod Slide Cap Screw, for Machine No. 71-23 ..	04
703D	4025	Arm Side Cover Thumb Screw, for Machines Nos. 71-2, 71-5, 71-6, 71-34, 71-35 and 71-46	10
704c	4069	Tension (top cover, back) Releaser Bracket (lower) Screw, for Machine No. 71-23	04
717c	4020	Starting Lever Adjusting Screw, for all Machines except No. 71-23 ..	08

Numerical List of Parts

No.	Plate	Name	Each
717c	4020	Tension (side of arm) Releaser Lever Stop Screw, for Machine No. 71-46	\$ 08
717c	4020	Thread (upper) Cutting Lever Stop Screw, for Machines Nos. 71-34, 71-35, 71-40, 71-42 and 71-45	08
721D	4045	Feed Wheel Retaining Clutch Spring Stop Screw	06
748E	4025	Arm Screw (back)	08
756D	4004	Clamp Carrier Guide (left) Screw, for 39807	02
756D	4004	Clamp Carrier Guide (left) Screw (long), for 39605, 39613 to 39615, 39619 and 39720	02
766D	4057	Thread (upper) Cutting Lever Shaft Crank Latch Hinge Screw, for Machines Nos. 71-34, 71-35, 71-40, 71-42 and 71-45	05
769c	4045	Feed Wheel Driving Lever Block Adjusting Screw, for 39594	06
771D	4083	Knife Grinder Knife Holder Thumb Screw, for 39898	10
793D	4083	Knife Grinder Knife Holding Spring Thumb Screw, for 39898	08
794E	4016	Needle Bar Connecting Link Adjusting Screw, for 23476	05
805c	4002	Barring Lever Catch Spring Screw, for Machines Nos. 71-2, 71-5, 71-6, 71-23, 71-34, 71-35, 71-45 and 71-46 ..	04
805c	4002	Knife Bar Driving Lever Spring Screw, for all Machines except Nos. 71-23 and 71-47	04
808F	4025	Arm Top Cover Screw	03
856c	4003	Barring Tripping Lever Hinge Screw, for Machines Nos. 71-2, 71-5, 71-6, 71-23, 71-34, 71-35, 71-45 and 71-46 ..	05
857H	4071	Needle Set Screw, for 40066	02
858c	4002	Barring Cam Set Screw, for 23562 and 39759	03
858c	4002	Needle Bar Crank Set Screw, for 23477	03
858c	4002	Table Belt Guide Pulley Shaft Oil Hole Plug Screw, for 39708	03
868E	4025	Arm Screw (front)	10
871c	4076	Cord Rotating Gear Slide Sleeve Slide Rod Connection Handle Screw, for Machine No. 71-46	04

Numerical List of Parts

No.	Plate	Name	Each
878D	4013	Oscillating Rock Shaft Hinge Pin Oil Hole Stop Screw, for Machines Nos. 71-2, 71-5, 71-6, 71-10 to 71-13, 71-23 and 71-47	\$ 06
896E	4025	Crank Connecting Rod Cap Screw, for 24028	04
898C	4045	Feed Wheel Driving Lever Block Adjusting Screw Clamping Screw, for 39594	04
898C	4045	Feed Wheel Retaining Clutch Cap Screw	04
904F	4004	Needle Set Screw, for 39600	02
905D	4040	Thread Guide Screw, for 19162	04
906C	4056	Thread (upper) Cutting Blade Shaft Crank Set Screw, for 40050	02
908C	4025	Crank Connecting Rod Hinge Screw	12
913C	4021	Stop Cam Interlocking Rod Spring Regulating Thumb Screw	40
914F	4008	Clamp Carrier Slide Guide (left) Screw	04
914F	4008	Clamp Carrier Slide Guide (right) Screw	04
914F	4008	Tension (top cover, back) Releaser Lever Clamping Screw, for 39702	04
940F	4058	Tension Releasing Lever Connection Screw (front), for Machine No. 71-40	06
940F	4058	Tension (top cover) Releasing Lever Connection Screw (front), for Machine No. 71-45	06
966E	4025	Feed Connecting Rod (upper) Cap Screw, for 23408	04
966D	4025	Tension (side of arm) Releaser Lever Shaft Bracket Screw, for Machine No. 71-46	04
966D	4025	Thread (lower) Cutting Lever Extension Screw, for Machines Nos. 71-34, 71-40, 71-42 and 71-45	04
966D	4025	Thread (upper) Cutting Lever Shaft Bracket Screw, for Machines Nos. 71-34, 71-35, 71-40, 71-42 and 71-45	04
974F	4058	Tension Releasing Lever Connection Screw (back), for Machine No. 71-40	06
974F	4058	Tension (top cover) Releasing Lever Connection Screw (back), for Machine No. 71-45	06
997E	4021	Stop Cam Spring Cover Screw	05

Numerical List of Parts

No.	Plate	Name	Each
999F	4003	Barring Ratchet Retaining Pawl Hinge Screw, for Machines Nos. 71-2, 71-5, 71-6, 71-23, 71-34, 71-35, 71-45 and 71-46	\$ 05
999F	4003	Tension Releaser Holder Hinge Screw, for Machine No. 71-40	05
999F	4003	Tension (top cover) Releaser Holder Hinge Screw, for Machines Nos. 71-2 and 71-45	05
999F	4003	Tension (top cover, front) Releaser Holder Hinge Screw, for Machine No. 71-23	05
1021E	4016	Needle Bar Connecting Link Cap Screw	06
1035C	4017	Oscillating Shaft Crank Slide Block Screw Stud for 15171 and 24050	15
1036C	4023	Thread Take-up Crank Position Screw, for 23477	03
1038C	4004	Needle Bar Frame Regulator Adjusting Screw	10
1042F	4016	Needle Bar Frame Pitman Hinge Screw	06
1049C	4013	Feed Hand Ratchet Lever Pawl Point Position Screw, for 23413	02
1049C	4013	Feed Hand Ratchet Lever Pawl Stop Screw, for 39522	02
1049F	4013	Needle Clamp Screw, for 39683	02
1057E	4061	Cutting Connecting Rod Cap Screw, for 23576	04
1057E	4061	Crank Connecting Rod Cap Screw, for 23575	04
1064D	4025	Clamp Check Lifting Chain Guide Pulley Screw, for 39809	12
1064D	4025	Rock Shaft Starting Hook Chain Guide Pulley Screw, for 39572	12
1064D	4025	Treadle Chain Guide Pulley Screw, for 39572	12
1065C	4025	Needle Bar Crank Position Screw, for 23477	10
1069D	4025	Arm Shaft Screw	12
1070C	4020	Stop Cam Interlocking Rod Guide Set Screw, for 23514, 39690 and 40031	08
1094F	4102	Knife Screw, for Machine No. 71-46	03
1144F	4057	Thread (upper) Cutting Lever Shaft Crank Latch Spring Screw, for Machines Nos. 71-34, 71-35, 71-40, 71-42 and 71-45	04

No.	Plate	Name	Each
1149c	4056	Thread Unwinder Spool Rest Set Screw, for 41435 and 41531	\$ 04
1159c	4069	Tension (top cover, back) Releaser Bracket (lower) Position Screw, for Machine No. 71-23	03
1200c	4076	Cord Rotating Gear Slide Sleeve Slide Rod Connection Hinge Screw, for Machine No. 71-46 ..	05
1222c	4014	Knife Bar Driving Lever (intermediate) Hinge Screw, for all Machines except No. 71-47	15
1226c	4002	Barring Lever Catch Position Stud, for 23564	04
1226e	4002	Needle Bar Frame Connection Spring Screw Stud, for Machines Nos. 71-2, 71-5, 71-6, 71-23, 71-34, 71-35, 71-45 and 71-46	04
1227c	4002	Barring Lever Hinge Screw, for Machines Nos. 71-2, 71-5, 71-6, 71-23, 71-34, 71-35, 71-45 and 71-46	10
1228c	4003	Barring Indicator Stud, for Machines Nos. 71-2, 71-5, 71-6, 71-23, 71-34, 71-35, 71-45 and 71-46	08
1230f	4007	Clamp Carrier Guide (right) Screw ..	03
1231f	4007	" Arm Screw, for 39587, for Machines Nos. 71-23, 71-34, 71-40, 71-42, 71-45 and 71-47	02
1231f	4007	Clamp Carrier Plate Screw (back), for all Machines except Nos. 71-46 and 71-47	02
1232c	4007	Clamp Carrier Regulator Hinge Screw	12
1234c	4008	" Slide Regulating Stud, for all Machines except No. 71-47	20
1235f	4009	Bed Oil Guard Screw	04
1235f	4009	Clamp Lifting Arm Screw, for Machines Nos. 71-2, 71-5, 71-6, 71-10 to 71-13, 71-23 and 71-47	04
1235f	4009	Clamp Plate Screw, for 39551 and 39587	04
1236c	4012	Feed Wheel Driving Lever Regulating Stud	12
1237c	4012	Feed Wheel Friction Ring Screw	10
1238f	4026	Guide Screw, for Machines Nos. 71-46 and 71-47	03
1239f	4015	Knife Bar Connecting Link Hinge Cap Screw, for all Machines except No. 71-47	04

No.	Plate	Name	Each
1240c	4015	Knife Bar Connecting Link Hinge Screw, for all Machines except No. 71-47	\$ 05
1241E	4015	Cord Rotating Gear Slide Connecting Spring Screw Eye (front), for Machine No. 71-46	05
1241E	4015	Cutting Connecting Rod Slide Latch Tripping Lever Spring Screw, for Machine No. 71-23	05
1241E	4015	Knife Bar Disengaging Lever Catch Spring Screw Stud for all Machines except Nos. 71-23 and 71-47	05
1241E	4015	Tension (side of arm) Releaser Lever Spring Screw Stud, for Machine No. 71-46	05
1241E	4015	Thread (lower) Cutting Blade Carrier Lever Spring Screw Stud, for Machines Nos. 71-34, 71-35, 71-40, 71-42, 71-45 and 71-46	05
1241E	4015	Thread (upper) Cutting Lever Spring Screw Stud, for Machines Nos. 71-34, 71-35, 71-40, 71-42 and 71-45	05
1242E	4015	Knife Bar Disengaging Lever Spring Screw, for all Machines except Nos. 71-23 and 71-47	05
1243c	4014	Knife Holder Guide Stud, for all Machines except No. 71-47	08
1244c	4016	Needle Bar Frame Cam and Bevel Gear Screw	20
1245c	4004	Needle Bar Frame Regulator Hinge Screw, for 39900	12
1248c	4003	Barring Ratchet Pawl Hinge Screw, for Machines Nos. 71-2, 71-5, 71-6, 71-23, 71-34, 71-35, 71-45 and 71-46	08
1248c	4003	Clamp Lifting Arm Stop Hinge Screw, for Machines Nos. 71-34, 71-35, 71-40, 71-42, 71-45 and 71-46	08
1253c	4023	Oscillating Shaft Crank Set Screw, for 39658 and 39692	03
1256d	4008	Clamp Carrier Slide Screw, for all Machines except No. 71-47	08
1257c	4012	Feed Wheel Tripping Lever Hinge Screw	15
1258c	4023	Thread Take-up Crank Set Screw, for 23477	02
1275c	4003	Feed Disengaging Lever Hinge Screw, for Machines Nos. 71-2, 71-5, 71-6, 71-23, 71-34, 71-35, 71-45 and 71-46	10

Numerical List of Parts

No.	Plate	Name	Each
1276c	4002	Barring Lever Catch Hinge Screw, for Machines Nos. 71-2, 71-5, 71-6, 71-23, 71-34, 71-35, 71-45 and 71-46	12
1278c	4061	Cutting Connecting Rod Slide Latch Tripping Lever Hinge Screw, for Machine No. 71-23	12
1286c	4003	Barring Ratchet Wheel Spring Screw, for Machines Nos. 71-2, 71-5, 71-6, 71-23, 71-34, 71-35, 71-45 and 71-46	06
1290c	4014	Knife Bar Driving Lever Hinge Screw, for all Machines except No. 71-47	30
1291c	4061	Cutting Connecting Rod Slide Latch Hinge Screw, for Machine No. 71-23	08
1294c	4009	Clamp Spring Bushing Position Stud, for 39551 and 39587	03
1296c	4066	Clamp Check Hinge Screw (back), for Machine No. 71-46	02
1296c	4066	Clamp Check Screw, for Machines Nos. 71-2, 71-5, 71-10, 71-12, 71-23, 71-34, 71-40, 71-42 and 71-47	02
1296c	4066	Clamp Check Stop Screw, for Machines Nos. 71-2, 71-5, 71-10, 71-12, 71-23, 71-34, 71-40, 71-42 and 71-47	02
1297F	4045	Clamp Check Screw, for Machines Nos. 71-34, 71-35, 71-40, 71-42 and 71-45	04
1297F	4045	Clamp Check Holder Screw, for 39551 and 39587	04
1319F	4015	Knife Bar Connecting Stud Clamping Screw, for 23462	04
1329D	4075	Cord Rotating Gear GIB Screw, for Machine No. 71-46	02
1341c	4004	Needle Bar Connecting Stud Set Screw, for 39601	04
1345D	4059	Clamp Carrier Guide (left) Screw (short), for 39605 and 39720	04
1346D	4102	Clamp Carrier Slide Screw, for Machine No. 71-47	07
1347c	4009	Clamp Carrier Regulator Stud (to regulate length of buttonhole), for all Machines except Nos. 71-45 and 71-47	10
1348c	4056	Clamp Check Section and Cutting Plate Support Stud, for 39606, 39721 and 39731	02
1349c	4004	Stop Cam Spring Stop Screw	04

Numerical List of Parts

No.	Plate	Name	Each
1350c	4060	Thread (lower) Pull-off Finger Hinge Screw, for Machines Nos. 71-34, 71-35, 71-40, 71-42, 71-45 and 71-46	05
1351c	4060	Thread (lower) Cutting Lever Ball Screw, for Machines Nos. 71-34, 71-35, 71-40, 71-42, 71-45 and 71-46	10
1352c	4057	Tension (side of arm) Releaser Lever Lock Pin Screw Bushing, for Machine No. 71-46	06
1352c	4057	Thread (upper) Cutting Lever Lock Pin Screw Bushing, for Machines Nos. 71-34, 71-35, 71-40, 71-42 and 71-45	06
1387c	4052	Tension Releaser Guide Screw Stud, for Machine No. 71-40	08
1387c	4052	Tension (top cover) Releaser Guide Screw Stud, for Machines Nos. 71-2 and 71-45	08
1387c	4052	Tension (top cover, front) Releaser Guide Screw Stud, for Machine No. 71-23	08
1388F	4052	Tension (top cover) Screw Stud, for Machines Nos. 71-2 and 71-45	10
1388F	4052	Tension (top cover, front) Screw Stud, for Machine No. 71-23	10
1415c	4063	Knife Bar Driving Lever Spring Screw, for Machine No. 71-23	05
1428c	4014	Knife Bar Driving Lever Screw Stud, for all Machines except Nos. 71-23 and 71-47	06
1508E	4020	Starting Lever Screw Center Nut	06
1517E	4016	Needle Bar Frame Screw Center Nut, for all Machines except No. 71-47	04
1517E	4016	Needle Bar Frame Screw Center (upper) Nut, for Machine No. 71-47	04
1518E	4002	Barring Lever Stop Screw Nut, for Machines Nos. 71-2, 71-5, 71-6, 71-23, 71-34, 71-35, 71-45 and 71-46	04
1518E	4002	Feed Connecting Rod Hinge Screw Nut, for Machines Nos. 71-10 to 71-13, 71-40, 71-42 and 71-47	04
1518E	4002	Feed Connecting Rod (lower) Hinge Screw Nut, for Machines Nos. 71-2, 71-5, 71-6, 71-23, 71-34, 71-35, 71-45 and 71-46	04
1518E	4002	Starting Lever Stop Screw Nut, for all Machines except No. 71-23	04

No.	Plate	Name	Each
1520E	4012	Clamp Carrier Regulator Roller and Screw Stud Nut, for 1960	\$ 03
1520E	4012	Clamp Carrier Slide Lever Roller and Screw Stud Nut, for 1960	03
1520E	4012	Clamp Lifting Arm Connection Hinge Screw Nut, for Machines Nos. 71-34, 71-35, 71-40, 71-42, 71-45 and 71-46	03
1520E	4012	Cord Rotating Sector Hinge Screw Nut, for Machine No. 71-46	03
1520E	4012	Cutting Connecting Rod Slide Latch Hinge Screw Nut, for Machine No. 71-23	03
1520E	4012	Feed Wheel Friction Ring Screw Nut	03
1520E	4012	Knife Bar Driving Lever Screw Stud Nut, for all Machines except Nos. 71-23 and 71-47	03
1520E	4012	Starting Lever Adjusting Screw Nut	03
1520E	4012	Tension Releaser Shaft Crank Ball Screw Stud Nut, for Machines Nos. 71-34 and 71-42	03
1520E	4012	Tension (side of arm) Releaser Lever Stop Screw Nut	03
1520E	4012	Tension (side of arm) Releaser Shaft Crank Ball Screw Stud Nut, for Machines Nos. 71-35, 71-45 and 71-46	03
1520E	4012	Thread (lower) Cutting Blade Carrier Lever Stop Screw Nut, for Machines Nos. 71-34, 71-35, 71-40, 71-42, 71-45 and 71-46	03
1520E	4012	Thread (lower) Cutting Lever Ball Screw Nut, for Machines Nos. 71-34, 71-35, 71-40, 71-42, 71-45 and 71-46	03
1520E	4012	Thread (upper) Cutting Lever Stop Screw Nut, for Machines Nos. 71-34, 71-35, 71-40, 71-42 and 71-45	03
1521E	4003	Cord Rotating Gear Slide Sleeve Slide Rod Nut for Machine No. 71-46..	03
1521E	4003	Feed Disengaging Lever Hinge Screw Nut, for Machines Nos. 71-2, 71-5, 71-6, 71-23, 71-34, 71-35, 71-45 and 71-46	03
1521E	4003	Tension Releaser Guide Screw Stud Nut, for Machine No. 71-40	03
1521E	4003	Tension (top cover) Releaser Guide Screw Stud Nut, for Machines Nos. 71-2 and 71-45	03

No.	Plate	Name	Each
1521E	4003	Tension (top cover, front) Releaser Guide Screw Stud Nut, for Machine No. 71-23	\$ 03
1547D	4009	Clamp Arm Adjusting Screw Nut, for 39551 and 39587	03
1547D	4009	Cord Rotating Sector Catch Stop Screw Nut, for Machine No. 71-46	03
1547C	4009	Knife Holder Screw Nut, for all Machines except No. 71-47	03
1547D	4009	Needle Bar Frame Pitman Hinge Screw Nut	03
1550H	4009	Clamp Spring Bushing Position Stud Nut, for 39551 and 39587	03
1550H	4009	Cutting Connecting Rod Slide Latch Tripping Lever Stop Screw Nut, for 23582	03
1560c	4022	Tension Regulating Thumb Nut, for Machines Nos. 71-5, 71-6, 71-10 to 71-13, 71-34, 71-40 and 71-42	04
1560c	4022	Tension (side of arm) Regulating Thumb Nut, for Machines Nos. 71-2, 71-23, 71-35, and 71-45 to 71-47	04
1560c	4022	Tension (top cover) Regulating Thumb Nut, for Machines Nos. 71-2 and 71-45	04
1560c	4022	Tension (top cover, back) Regulating Thumb Nut, for Machine No. 71-23	04
1560c	4022	Tension (top cover, front) Regulating Thumb Nut, for Machine No. 71-23	04
1562J	4024	Bobbin Winder Tension Regulating Thumb Nut, for 5989	04
1562D	4024	Cord Tension Thumb Nut, for Machine No. 71-46	04
1589c	4003	Barring Indicator Stud Thumb Nut, for Machines Nos. 71-2, 71-5, 71-6, 71-23, 71-34, 71-35, 71-45 and 71-46	06
1589c	4003	Needle Bar Frame Regulator Adjusting Screw Thumb Nut	06
1607E	4061	Cutting Connecting Rod Slide Latch Stop Screw Nut, for Machine No. 71-23	03
1608c	4014	Knife Holder Guide Stud Nut, for all Machines except Nos. 71-47	05
1608c	4014	Needle Bar Frame Screw Center (lower) Nut, for Machine No. 71-47	05

Numerical List of Parts

No.	Plate	Name	Each
1611E	4059	Clamp Lifting Arm Stop Hinge Screw Nut, for Machines Nos. 71-34, 71-35, 71-40, 71-42, 71-45 and 71-46	03
1618E	4063	Starting Lever Stop Screw Nut, for Machine No. 71-23	03
1619E	4025	Crank Connecting Rod Hinge Screw Nut	05
1636E	4017	Oscillating Shaft Crank Slide Block Screw Stud Nut, for 23496, 39658 and 39692	03
1638E	4021	Stop Cam Interlocking Rod Spring Regulating Thumb Screw Nut	12
1655E	4002	Barring Lever Hinge Screw Nut, for Machines Nos. 71-2, 71-5, 71-6, 71-23, 71-34, 71-35, 71-45 and 71-46	04
1655E	4002	Needle Bar Frame Bell Crank Roller and Screw Stud Nut, for 1956	04
1655E	4002	Needle Bar Frame Regulator Roller and Screw Stud Nut, for 1956	04
1658C	4008	Clamp Carrier Slide Regulating Stud Thumb Nut, for all Machines except No. 71-47	15
1658A	4008	Feed Wheel Lever Regulating Stud Thumb Nut	15
1659C	4009	Clamp Pressure Regulating Thumb Nut, for 39551 and 39587	10
1664D	4007	Thread Retainer Holder Nut, for 39714	03
1671C	4009	Clamp Carrier Regulator Stud Nut	08
1671C	4009	Thread (lower) Cutting Lever Extension Screw Nut, for Machines Nos. 71-34, 71-40, 71-42 and 71-45	08
1673C	4014	Knife Bar Stop Lock Nut, for 39565	20
1901	4059	Clamp Lifting Arm Connection Roller and Screw Stud with 229D and 12424	35
1954	4069	Tension (top cover, back) Releaser Lever Roller and Stud, for 39702	20
1956	4016	Needle Bar Frame Bell Crank Roller and Screw Stud with 229D, 1655E and 23389, for 23558 and 23632	35
1956	4016	Needle Bar Frame Regulator Roller and Screw Stud with 229D, 1655E and 23389, for 23677	35
1959	4014	Knife Bar Driving Lever (intermediate) Roller and Screw Stud with 229D and 12424, for 23514	35
1960	4007	Clamp Carrier Regulator Roller and Screw Stud with 1520E, for 39543 and 40010	35

Numerical List of Parts

No.	Plate	Name	Each
1960	4007	Clamp Carrier Slide Lever Roller and Screw Stud with 1520E, for 23394	35
1963	4015	Knife Bar Disengaging Lever Catch Roller and Stud, for 23464	20
1963	4015	Needle Bar Frame Connection Roller and Stud, for 39622 and 39643	20
1998	4102	Feed Disengaging Lever Roller and Stud, for 39752	35
2080	4050	Shuttle Bobbin Case Thread Guide Rivet, for 15628	01
2102	4022	Tension Disc, for Machines Nos. 71-5, 71-6, 71-10 to 71-13, 71-34 and 71-42	05
2102	4022	Tension (side of arm) Disc, for Machines Nos. 71-2, 71-23, 71-35 and 71-45 to 71-47	05
2103	4022	Tension Spring, for Machines Nos. 71-5, 71-6, 71-10 to 71-13, 71-34 and 71-40	03
2103	4022	Tension (top cover) Spring, for Machines Nos. 71-2 and 71-45	03
2103	4022	Tension (top cover, front) Spring, for Machine No. 71-23	03
2117	4012	Tension (side of arm), Releaser Lever Pin, for Machine No. 71-46	01
2117	4012	Feed Wheel Pin	01
2117	4012	Thread (upper) Cutting Lever Pin, for Machines Nos. 71-34, 71-35, 71-40, 71-42 and 71-45	01
2254	4045	Feed Wheel Retaining Clutch	20
2256	4045	" " " Spring	03
2269	4017	Cutting Connecting Rod Slide Cap Dowel Pin, for Machine No. 71-23	01
2269	4017	Shuttle Driver Pin	01
2269	4017	Tension Releaser Shaft Arm Hub Pin, for 39901	01
2269	4017	Tension Releaser Shaft Arm Pin, for Machines Nos. 71-5, 71-10 and 71-12	01
2269	4017	Tension Releaser Shaft Crank Pin, for Machines Nos. 71-34 and 71-42	01
2269	4017	Tension (side of arm) Releaser Shaft Arm Pin, for Machines Nos. 71-2, 71-23 and 71-47	01
2269	4017	Tension (side of arm) Releaser Shaft Crank Pin, for Machines Nos. 71-35, 71-45 and 71-46	01
2269	4017	Thread (upper) Cutting Blade Shaft Crank Pin, for 39693, 39722 and 39732	01

Numerical List of Parts

No.	Plate	Name	Each
2273	4057	Thread (upper) Cutting Blade Connecting Rod Collar (front) Pin, for Machines Nos. 71-34, 71-35, 71-40, 71-42 and 71-45	\$ 01
2455	4024	Bobbin Winder Tension Disc, for 5989	02
2455	4024	Cord Tension Disc	02
2523	4017	Shuttle Bobbin Case Position Finger Rivet, for 15142, 15277, 23502, 39624 and 40027	Per 100 25
2532	4018	Shuttle Race Back Position Pin, for 23621	Per 100 10
2533	4018	Shuttle Race Back Spring, for 23621	12
2766	4080	Rock Shaft Knee Arm Hub with 356c, for 6336	15
2767	4080	Rock Shaft Knee Plate with 356c, for 6336	18
2770	4080	Rock Shaft Stop Dog with 356c, for 39812 and 39814	12
2973	4017	Shuttle Bobbin Case Latch Lever, for 15141	10
2974	4017	Shuttle Bobbin Case Latch Lever Fulcrum Pin, for 15141	Per 100 10
2975	4017	Shuttle Bobbin Case Latch Spring, for 15142, 15277, 23502, 39624 and 40027	02
3012	4013	Feed Hand Ratchet Wheel Pin	01
4784	4013	Arm Shaft Oil Pad	01
4784	4013	Oscillating Rock Shaft Oil Pad, for 23493 and 39654	01
4784	4013	Thread Take-up Lever Oil Pad, for 23478 and 39794	01
5989	—	Bobbin Winder Tension complete, Nos. 418D, 1562J, 10141 and two 2455, for 27921	15
6335	4080	Rock Shaft Knee Arm, for 6336	10
6336	4080	" " " 6335 with 2766 and 2767, for 39812 and 39814 ..	40
6337	4080	Rock Shaft Starting Hook Bracket with two 356c, for 39812 and 39814	20
7070	4007	Feed Wheel Driving Lever Regulating Stud Sleeve	10
7070	4007	Needle Bar Frame Regulator Adjusting Screw Sleeve	10
7071	4003	Barring Ratchet Wheel Tripping Point Screw Washer, for Machines Nos. 71-2, 71-5, 71-6, 71-23, 71-34, 71-35, 71-45 and 71-46	01

Numerical List of Parts

No.	Plate	Name	Each
7071	4003	Cord Rotating Sector Adjustable Catch Notch Gib Screw Washer, for 39856	\$ 01
7071	4003	Knife Bar Disengaging Lever Tripping Bracket Screw Washer, for Machine No. 71-23	01
7071	4003	Needle Bar Frame Pitman Adjusting Screw Washer, for 23611 and 23676	01
7071	4003	Thread (upper) Cutting Blade Connecting Rod Spring Bracket Screw Washer, for Machines Nos. 71-34, 71-35, 71-40, 71-42 and 71-45	01
7071	4003	Thread (upper) Cutting Blade Opener Lever Latch Screw Washer, for Machine No. 71-45	01
7278	4008	Clamp Carrier Slide Lever Socket Joint, for all Machines except No. 71-47	25
7326	4018	Shuttle Race Cap, for 39904	15
7335	4022	Thread Take-up Spring	03
7539	4080	Rock Shaft Hanger (back) with two wood screws 1 in., No. 10, for 39812 and 39814	08
7585	4010	Treadle Shaft, for 14211	05
8238	4052	Tension Spring, for Machine No. 71-42	05
8238	4052	" (side of arm) Spring, for Machines Nos. 71-2, 71-23, 71-35 and 71-45 to 71-47	05
8582	4013	Arm Dowel Pin	02
8582	4013	Starting Lever Bracket Dowel Pin ..	02
8905	4002	Barring Lever Catch Spring Screw Washer, for Machines Nos. 71-2, 71-5, 71-6, 71-23, 71-34, 71-35, 71-45 and 71-46	01
9525	4083	Knife Grinder Knife Holder Thumb Screw Washer, for 39898	01
9525	4083	Thread (upper) Cutting Blade Opener Lever Trip Bracket Screw Washer, for Machine No. 71-45	01
9540	4021	Stop Lever Spring	02
9780	4021	" Cam Spring Cover Position Pin, for 23517	01
10141	4024	Bobbin Winder Tension Spring, for 5989	01
10145	4024	Bobbin Winder Tension Thread Guide, for 27921	01

Numerical List of Parts

No.	Plate	Name	Each
10249	4083	Knife Grinder Knife Holder Slide Bracket Adjusting Screw Tension Spring, for 39898	\$ 03
10875	4028	Wrench, for 1518 and 1520	10
11204	4023	Thread Take-up Lever Link Hinge Pin	15
11831	4028	Screw Driver, 5 in. blade (machine, large)	20
12166	4023	Thread Take-up Lever Hinge Pin, for 23525	05
12193	4000	Arm Side Cover, for all Machines except Nos. 71-23 and 71-34	10
*12204	—	Feed Connecting Rod Cap, for 23672	—
*12204	—	“ “ (upper) Cap, for 23408	—
12357	4000	Arm Shaft Flanged Bushing (back) ..	20
12399	—	Thread Retainer complete, Nos. 12400 to 12402, for all Machines except Nos. 71-23 and 71-45	15
		Nos. 12400 to 12402, for 12399.	
12400	4022	Thread Retainer Sleeve; also for 39714	05
12401	4022	Thread Retainer Spring	01
12402	4022	“ Stud; also for 39714 ..	07
12424	4014	Clamp Lifting Arm Connection Roller Cap Screw Washer, for 1901	02
12424	4014	Knife Bar Driving Lever (intermediate) Roller Cap Screw Washer, for 1959	02
12424	4014	Oscillating Shaft Crank Slide Block Cap Screw Washer, for 15171 and 24050	02
12459	4013	Oscillating Rock Shaft Hinge Pin Oil Hole Stop Screw Washer (leather), for Machines Nos. 71-2, 71-5, 71-6 and 71-10 to 71-13	Per 100
12538	4060	Tension Releaser Arm Pin, for Machines Nos. 71-34 and 71-42	01
12538	4060	Tension (side of arm) Releaser Arm Pin, for Machines Nos. 71-35, 71-45 and 71-46	01
12538	4060	Thread (upper) Cutting Lever Shaft Collar Pin, for Machine No. 71-40	01
12648	4102	Thread (upper) Cutting Blade Opener Lever Spring, for Machine No. 71-45	05

Numerical List of Parts

No.	Plate	Name	Each
13218	4013	Feed Hand Ratchet Lever Pawl Spring	\$ 05
13710	4069	Tension (top cover, back) Spring, for Machine No. 71-23	03
14010	4024	Bed Frame Hinge Plate Rivet, for 23529 and 39910	01
14017	4012	Feed Wheel Friction Ring Screw Washer	05
14049	4018	Shuttle Race Back, for 23621	40
14174	4020	Thread (upper) Cutting Blade Opener Lever Spring, for Machine No. 71-45	08
14209	4030	Treadle, for 14211	30
14210	4030	“ Stand, for 14211	25
14211	4030	Treadle complete, Nos. 7585, 14209, 14210 and four wood screws 1½ in., No. 12	60
14229	4047	Table Belt Guide Bracket with 448c, for 39709 and 39716	30
15027	4050	Shuttle Bobbin Case Position Finger, for 15142 and 15277	05
15072	4003	Barring Ratchet Pawl Spring Stop Pin, for Machines Nos. 71-2, 71-5, 71-6, 71-23, 71-34, 71-35, 71-45 and 71-46	Per 100
15072	4003	Bobbin Winder Bobbin Position Pin, for 27538	Per 100
15098	4050	Shuttle Tension Spring (obsolete), for 15142	10
15140	4017	Shuttle Bobbin Case Latch, for 15141	10
15141	—	Shuttle Bobbin Case Hinge, Nos. 2973, 2974 and 15140, for 15142, 15277, 23502, 39624 and 40027	25
15142	4050	Shuttle Bobbin Case complete, Nos. 591f, 592e, 2523, 2975, 15027, 15098 and 15141 (obsolete), for Machines Nos. 71-5, 71-6, 71-12 and 71-13	75
15170	4023	Oscillating Shaft Crank Slide Block, for 15171	35
15171	4023	Oscillating Shaft Crank Slide Block complete, Nos. 229d, 1035c, 12424 and 15170, for 39692	50
15277	4072	Shuttle Bobbin Case complete, Nos. 591f, 592e, 2523, 2975, 15027, 15141 and 15278, for 39578	75
15278	4072	Shuttle Tension Spring, for 15277 ..	10
15628	4050	“ Bobbin Case Thread Guide with two 2080, for 39624	05

Numerical List of Parts

No.	Plate	Name	Each
16555	4024	Bed Frame Hinge Plate, for 23529 and 39910	\$ 15
18859	4075	Cord Guide, for Machine No. 71-46 ..	02
		Nos. 19159 to 19161, for 19162.	
19159	4040	Thread Guide Body	30
19160	4040	" " Roller	10
19161	4040	" " Cap	10
19162	—	Thread Guide complete (roller), Nos. 905b and 19159 to 19161	50
19226	4024	Bed Frame Hinge Connection, for 19398	15
19397	4024	Bed Frame Hinge Connection Cap, for 19398	03
19398	—	Bed Frame Hinge Connection 19226 with 211r and 19397, for 23529 and 39910	20
19448	4017	Oscillating Shaft Crank Slide Block, for 24050	35
20093	4080	Rock Shaft Hanger (front) with two wood screws 1 in., No. 10, for 39812 and 39814	10
21643	4020	Starting Lever Belt Shifter, for general work, for all Machines except Nos. 71-6, 71-11, 71-13 and 71-46..	75
21650	4021	Stop Cam Interlocking Rod Guide Washer (rawhide)	02
21651	4021	Stop Cam Interlocking Rod Spring ..	10
21654	4028	Wrench, for 1508 and 1638	10
21699	4056	Thread (upper) Cutting Blade Position Pin, for 40049	Per 100 10
*23351	—	Arm with 24081, for Machines Nos. 71-2, 71-5 and 71-6	—
23352	4030	Arm Shaft, for all Machines except No. 71-23	2 50
23353	4001	Arm Top Cover, for Machines Nos. 71-5, 71-6, 71-34, 71-35 and 71-46 ..	75
23361	4003	Barring Ratchet Pawl, for Machines Nos. 71-2, 71-5 and 71-6	1 25
23362	4003	Barring Ratchet Pawl Spring, for Machines Nos. 71-2, 71-5, 71-6, 71-23, 71-34, 71-35, 71-45 and 71-46	05
23364	4003	Barring Ratchet Retaining Pawl Spring, for Machines Nos. 71-2, 71-5, 71-6, 71-23, 71-34, 71-35, 71-45 and 71-46	05

Numerical List of Parts

No.	Plate	Name	Each
23367	4003	Barring Ratchet Wheel Tripping Point, for Machines Nos. 71-2, 71-5, 71-6, 71-23, 71-34, 71-35, 71-45 and 71-46	\$ 70
23369	4001	Barring Stop Arm, for Machines Nos. 71-2, 71-5, 71-6, 71-34, 71-35 and 71-46	25
23370	4003	Barring Tripping Lever, for Machines Nos. 71-2, 71-5, 71-6, 71-23, 71-34, 71-35, 71-45 and 71-46	80
*23371	—	Bed, for Machines Nos. 71-2, 71-5, 71-10 and 71-12	—
		Nos. 23373 to 23376 (obsolete).	
23373	4030	Belt Cover	25
23374	4000	" " Bracket	50
23375	4000	" " Hinge Block with 460c ..	50
23376	4000	" " " " Pin	05
23379	4007	Clamp Arm Hinge Block, for 39551 and 39587	1 00
23380	4007	Clamp Arm Hinge Block Pin, for 39551 and 39587, for Machines Nos. 71-23, 71-34, 71-35, 71-40, 71-42 and 71-45 to 71-47	05
23381	4005	Clamp Carrier, for Machines Nos. 71-2, 71-5, 71-10 and 71-12	3 00
23384	4007	Clamp Carrier Connecting Rod	50
23385	4007	" " Guide (right), for Machines Nos. 71-2, 71-5, 71-6, 71-10 to 71-13, 71-23 and 71-47	50
23386	4006	Clamp Carrier Plate, for Machines Nos. 71-2, 71-5, 71-6, 71-10 to 71-13 and 71-23	2 00
23389	4016	Needle Bar Frame Bell Crank Roller Cap Screw Washer, for 1956	02
23389	4016	Needle Bar Frame Regulator Roller Cap Screw Washer, for 1956	02
23390	4014	Knife Screw Washer, for all Machines except No. 71-47	10
23392	4008	Clamp Carrier Slide Guide (left)	40
23393	4008	" " " " (right)	40
		Nos. 23394 to 23397, for all Machines except No. 71-47.	
23394	4005	Clamp Carrier Slide Lever with 1960 ..	2 50
23395	4005	" " " " Regulator	2 50
23396	4008	" " " " " "	20
23397	4008	Clamp Carrier Slide Regulating Stud Bushing	20

Numerical List of Parts

No.	Plate	Name	Each
23404	4009	Clamp Spring, for 39587, for Machines Nos. 71-23, 71-35, 71-40, 71-42, 71-45 and 71-47	\$ 15
23406	4000	Face Plate, for all Machines except No. 71-46	1 25
Nos. 23407 to 23409 for Machines Nos. 71-2, 71-5, 71-6, 71-23, 71-34 and 71-35.			
23407	4001	Feed Connecting Rod (lower); also for Machines Nos. 71-45 and 71-46	2 50
23408	4001	Feed Connecting Rod (upper) with 12204 and two 996r; also for Machines Nos. 71-45 and 71-46	1 50
23409	4001	Feed Disengaging Lever; also for Machine No. 71-40	1 25
23412	4013	Feed Eccentric with 448c	2 50
23413	4000	" Hand Ratchet Lever with 214d and 1049c	75
23414	4013	Feed Hand Ratchet Lever Collar with two 453c	50
23416	4013	Feed Hand Ratchet Wheel with 460c	1 25
23417	4005	Oscillating Shaft (obsolete)	50
23418	4000	Feed Rock Shaft, for 23419	1 50
23419	—	Feed Rock Shaft complete, Nos. 23418 and 23420	2 10
23420	4000	Feed Rock Shaft Hinge Pin with 23421, for 23419	60
23421	4013	Feed Rock Shaft Hinge Pin Plug (leather), for 23420 Per 100	50
23421	4013	Oscillating Rock Shaft Hinge Pin Oil Hole Plug (leather), for 23494	Per 100 50
23422	4013	Feed Rock Shaft Spring, for Machines Nos. 71-2, 71-5, 71-6, 71-11, 71-23, 71-34, 71-35, 71-45 and 71-46	15
23424	4010	Feed Wheel Driving Lever, for Machines Nos. 71-2, 71-5, 71-10, 71-12, 71-23, 71-34, 71-40, 71-42, 71-45 and 71-47	3 00
23427	4010	Feed Wheel Driving Lever Plate	25
23428	4012	" " " " Pitman with 23429, 50088c and two 196r, for all Machines except Nos. 71-6, 71-13, 71-35 and 71-36	1 65
*23429	—	Feed Wheel Driving Lever Pitman Cap, for 23428 and 39554	—
23431	4010	Feed Wheel Shaft, for all Machines except No. 71-46	1 50

Numerical List of Parts

No.	Plate	Name	Each
23432	4012	Feed Wheel Tripping Point, for 23673, 23698, 39552, 39749, 39792 and 39803	\$ 40
23433	4010	Feed Wheel Tripping Lever	2 00
23435	4013	" " " " Spring ..	10
23436	4026	Guide (back), for cuffs	10
23437	4026	" (left), for cuffs	10
23438	4026	" (right), for cuffs	10
23439	4026	" (left), for collars	10
23440	4026	" (right), for collars	10
23441	4026	" (corner), for collars	10
23443	—	Knife, $\frac{1}{4}$ in., for Machines Nos. 71-2, 71-5, 71-10, 71-12 and 71-45	20
23444	—	Knife, $\frac{5}{16}$ in., for Machines Nos. 71-2, 71-5, 71-10, 71-12 and 71-45	20
23445	—	Knife, $\frac{3}{8}$ in., for Machines Nos. 71-2, 71-5, 71-10, 71-12, 71-34, 71-35, 71-40, 71-42 and 71-45	20
23446	—	Knife, $\frac{7}{8}$ in., for Machines Nos. 71-2, 71-5, 71-10, 71-12, 71-34, 71-35, 71-40, 71-42 and 71-45	20
Nos. 23447 to 23451, for Machines Nos. 71-2, 71-5, 71-6, 71-10 to 71-13, 71-34, 71-35, 71-40, 71-42 and 71-45.			
23447	—	Knife, $\frac{1}{2}$ inch	20
23448	—	" $\frac{5}{8}$ inch	20
23449	—	" $\frac{3}{4}$ inch	20
23450	—	" $1\frac{1}{8}$ inch	20
23451	4014	" $\frac{3}{4}$ inch	20
Nos. 23452 to 23455, for Machines Nos. 71-2, 71-5, 71-6, 71-10 to 71-13 and 71-35.			
23452	—	Knife, $1\frac{1}{8}$ inch	20
23453	—	" $\frac{3}{4}$ inch	20
23454	—	" $1\frac{1}{8}$ inch	20
23455	—	" 1 inch	20
Nos. 23456 to 23459, for Machines Nos. 71-6, 71-11, 71-13 and 71-35.			
23456	—	Knife $1\frac{1}{8}$ inch	20
23457	—	" $1\frac{3}{8}$ inch	20
23458	—	" $1\frac{1}{2}$ inch	20
23459	—	" $1\frac{1}{4}$ inch	20
23460	4010	" Bar, for all Machines except No. 71-47	80
23461	4015	Knife Bar Connecting Link, for all Machines except No. 71-47	1 00

Numerical List of Parts

No.	Plate	Name	Each
23462	4015	Knife Bar Connecting Stud with 1319r, for all Machines except No. 71-47	\$ 60
Nos. 23463 to 23471, for all Machines except Nos. 71-23 and 71-47.			
23463	4015	Knife Bar Disengaging Lever	40
23464	4015	“ “ “ “ Catch with 1963	60
23465	4015	Knife Bar Disengaging Lever Catch Bracket	1 00
23466	4015	Knife Bar Disengaging Lever Catch Tripping Point	30
23467	4015	Knife Bar Disengaging Lever Catch Tripping Point Collar with two 448c	40
23468	4015	Knife Bar Disengaging Lever Catch Spring	05
23469	4010	Knife Bar Driving Lever	1 25
23470	4010	“ “ “ “ (intermediate)	2 00
23471	4014	Knife Bar Driving Lever (intermediate) Connecting Link	1 00
23473	4014	Knife Holder, for all Machines except Nos. 71-46 and 71-47	2 50
23476	4016	Needle Bar Connecting Link with 794e	50
23477	4010	“ “ Crank with 858c, 1036c, 1065c and 1258c	80
23478	4006	Needle Bar Frame with 4784, for all Machines except No. 71-46	2 00
23481	4001	Needle Bar Frame Cam and Bevel Gear, for Machines Nos. 71-2, 71-5, 71-6, 71-23, 71-34, 71-35, 71-45 and 71-46	4 00
23483	4004	Needle Bar Frame Connection Spring, for Machines Nos. 71-2, 71-5, 71-6, 71-23, 71-34, 71-35, 71-45 and 71-46	10
23484	4004	Needle Bar Frame Connection Spring Hook, for Machines Nos. 71-2, 71-5, 71-6, 71-23, 71-34, 71-35, 71-45 and 71-46	15
23485	4004	Needle Bar Frame Connection Stud, for Machines Nos. 71-5, 71-6, 71-23, 71-34, 71-35, 71-45 and 71-46	05
23486	4016	Needle Bar Frame Driving Bevel Pinion with two 453c	1 00
23491	4004	Needle Bar Frame Regulator, for 39900	1 50

Numerical List of Parts

No.	Plate	Name	Each
23492	4016	Needle Plate, for general work (obsolete); for Machines Nos. 71-2, 71-5, 71-10 and 71-12	\$1 00
23493	—	Oscillating Rock Shaft complete, Nos. 4784, 23494 and 24043 (obsolete)	1 50
23494	4006	Oscillating Rock Shaft Hinge Pin with 23421, for 23493 and 39654	50
23495	—	Oscillating Shaft Crank (obsolete), for 23496	50
23496	4017	Oscillating Shaft Crank complete, Nos. 231c, 1636e, 23495 and 24050 (obsolete)	1 05
23497	4019	Pulley (loose)	1 75
23499	4019	“ (tight) Counterbalance, for 23517	20
23500	4017	Shuttle Bobbin, for 23504, 39578, 39626 and 40029	08
23501	4017	Shuttle Bobbin Case Position Finger, for 23502	05
23502	4017	Shuttle Bobbin Case complete, Nos. 591f, 592e, 2523, 2975, 15141, 23501 and 23680, for 23504	75
23503	4017	Shuttle Body, for 23504 and 39626	75
23504	4017	“ 1½ in. diam., Nos. 23500, 23502 and 23503, for Machines Nos. 71-2, 71-10, 71-11 and 71-23	1 50
23505	4017	Shuttle Driver with 462c	75
*23506	—	“ Race Body, for 39904	—
23509	4019	Starting Lever, for Machines Nos. 71-2, 71-5, 71-6, 71-10 to 71-13 and 71-47	3 50
23510	4019	Starting Lever Bracket, for all Machines except No. 71-23	1 00
23511	4019	Starting Lever Rod, for all Machines except No. 71-23	75
23514	4020	Stop Cam Interlocking Rod Guide with 1070c and 1959, for all Machines except Nos. 71-23 and 71-47	1 50
23515	4021	Stop Cam Spring (long)	08
23516	4021	“ “ “ (short)	05
23517	4019	“ “ “ Cover with 23499, two each 9780 and 28034	25
23518	4010	Stop Lever	75
23519	4022	Tension Releaser with 200f, for 39901; also for Machines Nos. 71-5, 71-10, 71-12, 71-34 and 71-42	30
23519	4022	Tension (side of arm) Releaser with 200f, for Machines Nos. 71-2, 71-23, and 71-45 to 71-47	30

Numerical List of Parts

No.	Plate	Name	Each
23520	4022	Tension Releaser Shaft, for 39901, for Machines Nos. 71-5, 71-10, 71-12, 71-34 and 71-43	\$ 10
23520	4022	Tension (side of arm) Releaser Shaft, for Machines Nos. 71-2, 71-23, 71-35, 71-45 and 71-47	10
23521	4022	Tension Releaser Shaft Arm, for Machines Nos. 71-5, 71-10 and 71-12	40
23521	4022	Tension (side of arm) Releaser Shaft Arm, for Machines Nos. 71-2, 71-23 and 71-46	40
23523	4023	Thread Take-up Crank	80
23524	4023	" " Lever, for 23525	1 00
23525	—	Thread Take-up Lever complete, Nos. 12166, 23524 and 23543	1 45
23526	4022	Thread Take-up Spring Regulator ..	25
23527	4030	Drip Pan with two wood screws $\frac{1}{2}$ in., No. 5, R.H.B.	25
23528	4005	Bed Frame Clamp Lifting Arm Stop ..	10
23529	4031	" " with two each 16555, 19398, four each 158E, 24106, six 14010 and four wood screws $1\frac{1}{4}$ in., No. 12 (obsolete)	2 50
23530	4026	Gauge, for $\frac{1}{4}$ to 1 in., for setting length of buttonhole, for all Machines except Nos. 71-35, 71-46 and 71-47	20
23535	4028	Wrench, for 1671, for regulating length of buttonhole	20
		Nos. 23536 to 23539, for 23540.	
23536	4031	Table Belt Guide with two 168E; also for 39709 and 39716	20
23537	4031	Table Belt Guide Bracket with 448c (obsolete)	40
23538	4031	Table Belt Guide Pulley; also for 39709 and 39716	50
23539	4031	Table Belt Guide Pulley Shaft with 436c (obsolete)	40
23540	4031	Table Belt Guide (double) complete, Nos. 23537, 23539, two each 23536, 23538 and four wood screws $1\frac{1}{4}$ in., No. 12, R.H.B. (obsolete)	2 20
23543	4023	Thread Take-up Lever Link, for 23525 ..	40
23544	4003	Barring Ratchet Retaining Pawl (hinge screw end), for 23546	40
23545	4003	Barring Ratchet Retaining Pawl (wheel end), for 23546	50

Numerical List of Parts

No.	Plate	Name	Each
23546	—	Barring Ratchet Retaining Pawl (adjustable) complete, Nos. 203c, 23544 and 23545, for Machines Nos. 71-2, 71-5, 71-6, 71-23, 71-34, 71-35, 71-45 and 71-46	\$ 90
23548	4014	Knife Bar Stop Plug (fibre), for 39565 ..	02
23549	4027	Guide, for shirt bosoms	10
23550	4027	" " " bands	10
23551	4024	Treadle Chain Screw Eye	02
		Nos. 23552 to 23554, for 23555.	
23552	4010	Feed Wheel Friction Ring Section (long)	45
23553	4010	Feed Wheel Friction Ring Section (short)	45
23554	4012	Feed Wheel Friction Ring Spring....	10
23555	—	Feed Wheel Friction Ring complete, Nos. 23552 to 23554	1 00
23556	4007	Starting Lever Belt Shifter, for Machines Nos. 71-6, 71-11, 71-13, 71-35 and 71-46	75
23557	4001	Feed Disengaging Lever Spring, for Machines Nos. 71-2, 71-5, 71-6, 71-23, 71-34, 71-35, 71-45 and 71-46 ..	10
23558	4001	Needle Bar Frame Bell Crank with 1956, for Machines Nos. 71-5, 71-6, 71-23, 71-34, 71-35, 71-45 and 71-46 ..	3 00
*23560	—	Arm with 24081, for Machine No. 71-23 ..	—
23561	4047	" Shaft, for Machine No. 71-23	2 50
23562	4002	Barring Cam with two 858c, for Machines Nos. 71-2, 71-5, 71-6, 71-23, 71-34, 71-35 and 71-45	2 50
		Nos. 23563 to 23567, for Machines Nos. 71-2, 71-5, 71-6, 71-23, 71-34, 71-35, 71-45 and 71-46.	
23563	4002	Barring Lever	2 50
23564	4002	" " Catch with 1226c	1 25
23565	4002	" " " Spring	10
23566	4002	" " " Spring	10
23567	4006	Clamp Arm, for 39587	2 00
23573	4005	" Plate Support	25
23574	4009	" Post, for 39551 and 39587	75

Numerical List of Parts

No.	Plate	Name	Each
Nos. 23575 to 23578, for Machine No. 71-23.			
23575	4062	Crank Connecting Rod with 29513 and two 1057E	\$1 00
23576	4061	Cutting Connecting Rod with 23577 and two 1057E	1 00
*23577	—	Cutting Connecting Rod Cap, for 23576	—
23578	4061	Cutting Connecting Rod Slide	75
23582	4061	“ “ “ “ Latch Tripping Lever with 171F and 1550H, for Machine No. 71-23	2 00
23583	4061	Cutting Connecting Rod Slide Latch Tripping Lever Spring, for Machine No. 71-23	05
23587	4012	Feed Wheel Tripping Lever Point ..	25
Nos. 23588 to 23604, for Machine No. 71-23.			
23588	—	Knife, $\frac{1}{4}$ inch	20
23589	—	“ “ $\frac{1}{8}$ inch	20
23590	—	“ “ $\frac{3}{8}$ inch	20
23591	—	“ “ $\frac{1}{4}$ inch	20
23592	—	“ “ $\frac{1}{2}$ inch	20
23593	—	“ “ $\frac{1}{8}$ inch	20
23594	—	“ “ $\frac{3}{8}$ inch	20
23595	—	“ “ $\frac{1}{4}$ inch	20
23596	4064	“ “ $\frac{3}{8}$ inch	20
23597	—	“ “ $\frac{1}{8}$ inch	20
23598	—	“ “ $\frac{3}{8}$ inch	20
23599	—	“ “ $\frac{1}{8}$ inch	20
23600	—	“ “ 1 inch	20
23601	—	“ “ $1\frac{1}{8}$ inch	20
23602	—	“ “ $1\frac{3}{8}$ inch	20
23603	—	“ “ $1\frac{1}{2}$ inch	20
23604	—	“ “ $1\frac{3}{4}$ inch	20
23606	4015	“ Bar Disengaging Lever Spring, for all Machines except Nos. 71-23 and 71-47	10
23606	4015	Thread (upper) Cutting Blade Connecting Rod Spring, for Machines Nos. 71-34, 71-35, 71-40, 71-42 and 71-45	10
23609	—	Needle Bar Frame Pitman (regulator end), for 23611	40
23610	—	Needle Bar Frame Pitman (hinge screw end), for 23611 and 23676..	65

Numerical List of Parts

No.	Plate	Name	Each
23611	4016	Needle Bar Frame Pitman (adjustable) complete, Nos. 23609, 23610, two each 190c and 7071, for Machines Nos. 71-2, 71-5, 71-6, 71-23, 71-34, 71-35, 71-45 and 71-46	\$1 15
23621	4018	Shuttle Race complete, Nos. 648d, 2533, 14049, 39904 and two 2532 ..	1 95
23623	4062	Starting Lever Bracket, for Machine No. 71-23	1 00
23630	4003	Barring Indicator (obsolete), for Machines Nos. 71-2, 71-5, 71-6, 71-23, 71-34, 71-35, 71-45 and 71-46	20
23632	4035	Needle Bar Frame Bell Crank with 1956, for Machine No. 71-2	3 00
23641	4020	Tension Releaser Shaft Arm, for Machines Nos. 71-6, 71-11 and 71-13 ..	15
Nos. 23664 to 23667, for Machines Nos. 71-2, 71-5, 71-6, 71-23, 71-34, 71-35, 71-45 and 71-46.			
23664	4003	Barring Ratchet Wheel	1 50
23665	4003	“ “ “ Spring	05
23666	4003	“ “ “ “ Washer	01
23667	4016	Needle Bar Frame Bell Crank Stud ..	75
23667	4016	“ “ “ Regulator Stud, for Machines Nos. 71-10 to 71-13, 71-40, 71-42 and 71-47	75
23669	4022	Tension Thread Guard, for Machines Nos. 71-5, 71-6, 71-10 to 71-13 and 71-34	10
23669	4022	Tension (side of arm) Thread Guard, for Machines Nos. 71-2, 71-23, 71-35 and 71-45 to 71-47	10
23669	4022	Thread Take-up Spring Thread Guard, for Machines Nos. 71-40 and 71-42 ..	10
*23670	—	Arm with 24081, for Machines Nos. 71-10 to 71-13 and 71-47	—
23671	4033	Arm Top Cover, for Machines Nos. 71-10 to 71-13, 71-42 and 71-47 ...	25
23672	4033	Feed Connecting Rod with 12204 and two 145e, for Machines Nos. 71-10 to 71-13, 71-40, 71-42 and 71-47 ...	1 00
23673	4011	Feed Wheel with 23432 and two 220d, for Machines Nos. 71-10 to 71-13 ..	6 00
23674	4033	Needle Bar Frame Cam and Bevel Gear, for Machines Nos. 71-10 to 71-13, 71-40, 71-42 and 71-47 ...	3 00
23675	—	Needle Bar Frame Pitman (regulator end), for 23676	30

Numerical List of Parts

No.	Plate	Name	Each
23676	4033	Needle Bar Frame Pitman (adjustable) complete, Nos. 23610, 23675, two each 190c and 7071, for Machines Nos. 71-10 to 71-13, 71-40, 71-42 and 71-47	\$1 00
23677	4033	Needle Bar Frame Regular with 1956, for Machines Nos. 71-10 to 71-13, 71-40, 71-42 and 71-47	2 25
23679	4032	Drip Pan, $\frac{3}{4}$ in. deep	75
23680	4017	Shuttle Tension Spring, for 23502 and 40027	10
23681	4014	Knife Bar Driving Lever Spring, for all Machines except Nos. 71-23 and 71-47	15
23682	4014	Knife Bar Spring, for all Machines except Nos. 71-23 and 71-47	05
23691	4008	Clamp Check, for general work, for 39587	75
23693	4009	Clamp Spring Bushing, for 39551 and 39587	1 00
23694	4022	Tension Releaser Shaft Arm Connection, for Machines Nos. 71-5, 71-6 and 71-10 to 71-13	25
23694	4022	Tension (side of arm) Releaser Shaft Arm Connection, for 39551 and 39587	25
23695	4022	Tension Releaser Shaft Arm Connection Bracket, for Machines Nos. 71-5, 71-6 and 71-10 to 71-13	25
23695	4022	Tension (side of arm) Releaser Shaft Arm Connection Bracket, for 39551 and 39587	25
23698	4035	Feed Wheel with 23432 and two 220d, for wide bight and wide cutting space, for overall work, etc., for Machines Nos. 71-2, 71-5, 71-6, 71-23, 71-34 and 71-35	6 00
23699	4009	Clamp Check, for wide bight, for overall work, etc. (obsolete), for Machines Nos. 71-2, 71-5, 71-10 and 71-12	75
24028	4000	Crank Connecting Rod with 24085 and two 896E, for all Machines except No. 71-23	1 35
24043	4006	Oscillating Rock Shaft (obsolete), for 23493	1 00
24046	4013	Oscillating Shaft Bushing (back) (obsolete)	40
24047	4013	Oscillating Shaft Bushing (front)	40

Numerical List of Parts

No.	Plate	Name	Each
24050	4017	Oscillating Shaft Crank Slide Block complete, Nos. 229d, 1035c, 12424 and 19448, for 23496 and 39658..	\$ 50
*24081	—	Arm Shaft Bushing (front), for 23351, 23560, 23670, 39602, 39644 and 39757	—
*24085	—	Crank Connecting Rod Cap, for 24028	—
24106	4024	Bed Frame Cushion (felt), for 23529 and 39910	02
26026	4028	Screw Driver (machine, small)	10
26485	4028	" " (shuttle tension)	05
27302	4029	Bobbin Winder Frame, for 27923	15
27538	4029	" " Spindle with 15072, for 27923	20
27623	2837	Thread Unwinder Spool Pin, for 41435 and 41531	08
27739	2837	Thread Unwinder Thread Cone (wood), for 41438 and 41533	05
27914	4029	Bobbin Winder Base with 29716 and two 28084, for 27923	25
27915	4029	Bobbin Winder Base Plate, for 27924..	20
27916	4024	" " Brake (leather), for 27914	02
		Nos. 27917 to 27919, for 27923.	
27917	4024	Bobbin Winder Frame Spring	03
27918	4029	" " Pulley	50
27919	4029	" " Stop Latch	10
27920	4029	" " Tension Bracket with 452c, for 27921	25
27921	4029	Bobbin Winder Tension Bracket complete, Nos. 5989, 10145, 27920 and 27922, for 27924 and 41403	60
27922	4029	Bobbin Winder Thread Eyelet Rod, for 27921	20
27923	4029	Bobbin Winder, Nos. 32d, 35d, 27302, 27538, 27914 and 27917 to 27919, for 27924 and 41403	1 40
27924	—	Bobbin Winder (swinging automatic, right hand) complete, Nos. 135d, 27915, 27921, 27923 and four 389F, for all Machines except No. 71-23	2 40
27940	2837	Thread Unwinder Spool Stand with 453c, for 41438 and 41533	20
28034	4020	Pulley (tight) Counterbalance Rivet, for 23517	01
28084	4024	Bobbin Winder Brake Rivet, for 27914	01
*29513	—	Crank Connecting Rod Cap, for 23575	—

Numerical List of Parts

No.	Plate	Name	Each
32012	4052	Tension Disc, for Machine No. 71-40..	\$ 10
32012	4052	" (top cover) Disc, for Machines Nos. 71-2 and 71-45	10
32012	4052	Tension (top cover, back) Disc, for Machine No. 71-23	10
32012	4052	Tension (top cover, front) Disc, for Machine No. 71-23	10
32572	4052	Tension (top cover) Releasing Disc, for Machines Nos. 71-2 and 71-45	05
32572	4052	Tension (top cover, front) Releasing Disc, for Machine No. 71-23	05
35143	4079	Tweezers, for Machine No. 71-46	10
36565	4079	Oiler (copper plated) with 36566	15
36566	4079	" Spout, 9 in. long, for 36565	08
39504	4064	Cutting Connecting Rod Slide Latch Tripping Lever Stop Bracket Screw Washer, for Machine No. 71-23	01
39504	4064	Feed Wheel Driving Lever Block Adjusting Screw Clamping Screw Washer, for 39594	01
39504	4064	Feed Wheel Retaining Clutch Cap Screw Washer	01
39507	4006	Clamp Carrier, for Machines Nos. 71-23 and 71-47	3 00
39508	4045	Clamp Check, for Machines Nos. 71-2, 71-5, 71-10 and 71-12	75
39514	4020	Clamp Spring, for 39551, for Machines Nos. 71-35 and 71-46	15
39518	4007	Needle Plate, for collar and cuff work, for Machines Nos. 71-2, 71-5, 71-6 and 71-10 to 71-13	1 00
39522	4000	Feed Hand Ratchet Lever Pawl complete, Nos. 207c, 39523, 39567 and two 1049c	75
39523	4012	Feed Hand Ratchet Lever Pawl Point, for 39522	25
39530	4009	Needle Plate, for overall work (obsolete), for Machines Nos. 71-5, 71-10 and 71-12	1 00
39531	4034	Clamp Carrier (obsolete)	3 00
39532	4009	" Regulator Stud Sleeve, for Machines Nos. 71-2, 71-5, 71-6 and 71-10 to 71-13	10
39534	4023	Knife Holder (obsolete), for Machine No. 71-2	2 50
*39535	---	Bed, for Machines Nos. 71-6, 71-11 and 71-13	---

Numerical List of Parts

No.	Plate	Name	Each
39538	4032	Bed Oil Guard, for all Machines except Nos. 71-23 and 71-46	\$ 75
		Nos. 39539 to 39541, for 39551.	
39539	4039	Clamp Arm, for Machines Nos. 71-35 and 71-46	2 00
39540	4039	Clamp Arm Bracket with 196f, for Machines Nos. 71-35 and 71-46 ..	1 00
39541	4040	Clamp Arm Bracket Screw Washer; also for 39587, for Machines Nos. 71-23, 71-34, 71-35, 71-40, 71-42 and 71-45 to 71-47	05
39541	4040	Clamp Lifting Arm Connection Roller and Screw Stud Bracket Screw Washer, for Machines Nos. 71-34, 71-35, 71-40, 71-42, 71-45 and 71-46	05
39541	4040	Tension Releaser Shaft Arm Connection Screw Washer, for Machines Nos. 71-5, 71-6 and 71-10 to 71-13	05
39541	4040	Tension (side of arm) Releaser Shaft Arm Connection Screw Washer, for Machines Nos. 71-2, 71-23 and 71-47	05
39542	4039	Clamp Carrier, for Machines Nos. 71-6, 71-11 and 71-13	3 00
39543	4039	Clamp Carrier Regulator with 233d and 1960, for Machines Nos. 71-6, 71-11, 71-13, 71-35 and 71-46	2 50
39544	4012	Clamp Carrier Regulator Slide, for all Machines except No. 71-46 ..	30
		Nos. 39546 to 39548, for 39551.	
39546	4040	Clamp Check, for 1½ in. buttonhole..	75
39547	4040	" " Adjusting Plate	50
39548	4040	" " Holder	50
39549	4042	" Lifting Arm, for 39587, for Machines Nos. 71-23 and 71-47	50
39550	4042	Clamp Plate, for 39551 and 39587	1 25
39551	---	Clamp complete, Nos. 1294c, 1550h, 1659c, 23379, 23380, 23574, 23693 to 23695, 39514, 39539, 39540, 39546 to 39548, 39550, 39717, two each 109d, 625f, 1297f, 1547d, three each 219f, 402d, 1235f, four each 191c and 39541, for Machines Nos. 71-6, 71-11 and 71-13	11 00
39552	4042	Feed Wheel with 23432 and two 220d, for Machines Nos. 71-40 and 71-42 ..	6 00

Numerical List of Parts

No.	Plate	Name	Each
39553	4042	Feed Wheel Driving Lever, for Machines Nos. 71-6, 71-11, 71-13, 71-35 and 71-46	\$3 00
39554	4042	Feed Wheel Driving Lever Pitman with 23429, 50088c and two 196F, for Machines Nos. 71-6, 71-11, 71-13, 71-35 and 71-46	1 65
Nos. 39555 to 39558, for Machines Nos. 71-6, 71-11, 71-13 and 71-35.			
39555	—	Knife, $1\frac{1}{8}$ inch	20
39556	—	" $1\frac{3}{8}$ inch	20
39557	—	" $1\frac{1}{2}$ inch	20
39558	—	" $1\frac{1}{2}$ inch	20
39560	4040	Tension Releaser Shaft Arm Hub, for 39901	40
39561	4042	Gauge, for $\frac{1}{2}$ to $1\frac{1}{2}$ in., for setting length of buttonhole, for Machines Nos. 71-6, 71-35 and 71-46	20
39562	4041	Clamp Check, for $1\frac{1}{4}$ in. buttonhole, for Machines Nos. 71-6, 71-11 and 71-13	75
39563	4041	Clamp Check Adjusting Plate	50
39564	4041	" " Holder	50
39565	—	Knife Bar Stop complete, Nos. 1673c, 23548 and 39566, for all Machines except No. 71-47	1 40
39566	4014	Knife Bar Stop, for 39565	1 15
39567	—	Feed Hand Ratchet Lever Pawl Body with 214d, for 39522	50
39569	—	Treadle Chain, 45 in. long, with 39575 and 39576	30
39570	4047	Clamp Check Lifting Chain Guide Pulley Bracket, for 39809	25
39570	4047	Rock Shaft Starting Hook Chain Guide Pulley Bracket, for 39572	25
39570	4047	Treadle Chain Guide Bracket, for 39572	25
39571	4047	Rock Shaft Starting Hook Chain Guide Pulley, for 39572	20
39571	4047	Treadle Chain Guide Pulley, for 39572	20
39572	4047	Rock Shaft Starting Hook Chain Guide Pulley Bracket complete, Nos. 39570, two each 1064d, 39571 and wood screws $1\frac{1}{4}$ in., No. 12, R.H.B.	90

Numerical List of Parts

No.	Plate	Name	Each
39572	4047	Treadle Chain Guide complete, Nos. 39570, two each 1064d, 39571 and wood screws $1\frac{1}{4}$ in., No. 12, R.H.B., for 39817	\$ 90
39573	4045	Clamp Check Adjusting Plate	50
39574	4045	" " Holder, for 39508 and 39663, for Machines Nos. 71-2, 71-5, 71-10, 71-12 and 71-23	50
39575	4024	Treadle Chain Hook (lower), for 39569, 39815 and 39816	05
39576	4024	Treadle Chain Hook (upper), for 39569, 39811 and 39813	05
39577	4050	Shuttle Body, for 39578	75
39578	4050	" $1\frac{1}{4}$ in. diam., Nos. 15277, 23500 and 39577, for Machines Nos. 71-5, 71-6, 71-12, 71-13 and 71-47	1 50
39579	4004	Needle Bar Frame Connection Stud (eccentric), for Machine No. 71-2	15
39580	4019	Stop Cam Interlocking Rod, for all Machines except No. 71-34	50
39582	4034	Belt Cover Bracket (obsolete)	1 25
39583	4004	Clamp Carrier Regulator Stud Stop, for 40010	10
Nos. 39584 to 39586, for 39587.			
39584	4034	Clamp Arm Bracket with 196F, for Machines Nos. 71-23, 71-34, 71-40, 71-42, 71-45 and 71-47	1 00
39585	4041	Clamp Check Adjusting Plate	50
39586	4041	" " Holder	50
39587	—	Clamp (universal) complete, Nos. 1294c, 1550H, 1659c, 23379, 23380, 23404, 23567, 23574, 23691, 23693 to 23695, 39549, 39550, 39584 to 39586, two each 109d, 625F, 1297F, 1547d, three each 1231F, 1235F, four each 191c, 219F and 39541, for Machines Nos. 71-2, 71-5, 71-10 and 71-12 ..	11 00
39590	4004	Feed Rock Shaft Spring Plate, for Machines Nos. 71-2, 71-5, 71-6, 71-11, 71-23, 71-34, 71-35, 71-45 and 71-46	02
39591	4004	Clamp Carrier Guide (left), for 39605, 39613 to 39615, 39619, 39720 and 39807	25
39594	4045	Feed Wheel Driving Lever Block Adjusting Screw Bracket with 769c, 898c and 39504	60
39595	4045	Feed Wheel Retaining Clutch Cap ..	10
39596	4045	" " " " Stud ..	25

Numerical List of Parts

No.	Plate	Name	Each
39597	4045	Feed Wheel Driving Lever Block with 602D and 39598	\$ 80
39598	4045	Feed Wheel Driving Lever Block Lock Spring, for 39597	03
39600	4048	Needle Bar with 904F, for all Machines except Nos. 71-23 and 71-47	80
39601	4004	Needle Bar Connecting Stud with 1341c	25
*39602	—	Arm with 24081, for Machines Nos. 71-34, 71-35 and 71-45	—
*39603	—	Bed, for Machines Nos. 71-34, 71-40 and 71-42	—
39604	4055	Clamp Carrier Plate, for Machines Nos. 71-34, 71-35, 71-40, 71-42 and 71-45	2 00
39605	4051	Clamp Carrier Slide with 1345D, 39591 and two 756D, for Machines Nos. 71-34, 71-40, 71-42 and 71-45	4 35
39606	4056	Clamp Check with 39607, two each 237F and 1348c, for $\frac{3}{8}$ to $\frac{1}{2}$ in. buttonholes, for 39693	3 50
39607	4056	Clamp Check Section and Cutting Plate, for 39606	1 25
39608	4060	Needle Plate, for Machines Nos. 71-34, 71-40, 71-42 and 71-45	1 00
39609	4056	Thread (upper) Cutting Blade, for 39693	20
39610	4057	Thread (upper) Cutting Blade Connecting Rod, for Machines Nos. 71-34, 71-40, 71-42 and 71-45	30
39611	4057	Thread (upper) Cutting Blade Connecting Rod Spring Bracket, for Machines Nos. 71-34, 71-35, 71-40, 71-42 and 71-45	50
39612	4057	Thread (upper) Cutting Lever Shaft Crank with two each 200F and 40059, for Machines Nos. 71-34, 71-35, 71-40, 71-42 and 71-45	1 00
39613	4034	Clamp Carrier Slide with 39591 and three 756D, for Machine No. 71-23	4 35
39614	4034	Clamp Carrier Slide with 39591 and three 756D, for Machines Nos. 71-6, 71-11 and 71-13	4 35
39615	4046	Clamp Carrier Slide with 39591 and three 756D, for overall work, for Machines Nos. 71-2, 71-5, 71-10 and 71-12	4 35

Numerical List of Parts

No.	Plate	Name	Each
Nos. 39616 to 39618, for 39622 and 39643.			
39616	4004	Barring Lever Catch Stud	\$ 25
39617	4004	" " " " Rivet (long)	01
39618	4004	" " " " " (short)	01
39619	4048	Clamp Carrier Slide with 39591 and three 756D, for general work, for Machines Nos. 71-2, 71-5, 71-10, 71-11 and 71-12	4 35
39620	4051	Arm Side Cover, for Machines Nos. 71-40 and 71-45	12
39621	4051	Arm Top Cover, for Machine No. 71-45	1 00
39622	4048	Needle Bar Frame Connection with 1963 and 39616 to 39618, for Machines Nos. 71-5, 71-6, 71-23, 71-35, 71-45 and 71-46	2 00
39623	4050	Shuttle Bobbin Case Position Finger, for 39624	10
39624	4050	Shuttle Bobbin Case complete, Nos. 591F, 592E, 2523, 2975, 15141, 15628, 39623 and 39625, for 39626	75
39625	4050	Shuttle Tension Spring, for 39624	10
39626	4050	" $1\frac{1}{4}$ in. diam., Nos. 23500, 23503 and 39624, for Machines Nos. 71-40 and 71-45	1 50
39627	4053	Starting Lever, for Machines Nos. 71-34, 71-35, 71-40, 71-42, 71-45 and 71-46	3 50
39628	4059	Stop Cam with 39629	1 50
39629	4059	" " Pin, for 39628	15
39631	4060	Tension (top cover) Releaser, for Machine No. 71-45	10
39632	4052	Tension Releaser Holder with 201F, for Machine No. 71-40	1 25
39632	4052	Tension (top cover, front) Releaser Holder with 201F, for Machine No. 71-23	1 25
39632	4052	Tension (top cover) Releaser Holder with 201F, for Machines Nos. 71-2 and 71-45	1 25
39633	4058	Tension Releasing Lever, for Machine No. 71-40	1 00
39633	4058	Tension (top cover) Releasing Lever, for Machine No. 71-45	1 00
39634	4058	Tension Releasing Lever Connection, for Machine No. 71-40	80
39634	4058	Tension (top cover) Releasing Lever Connection, for Machine No. 71-45	80

Numerical List of Parts

No.	Plate	Name	Each
39635	4052	Tension (top cover) Releasing Pin, for Machines Nos. 71-2 and 71-45 ...	\$ 05
39635	4052	Tension (top cover, front) Releasing Pin, for Machine No. 71-23	05
39636	4052	Tension Thread Eyelet (double), for Machine No. 71-40	05
39636	4052	Tension (top cover) Thread Eyelet (double), for Machines Nos. 71-2 and 71-45	05
39636	4052	Tension (top cover, front) Thread Eyelet (double), for Machine No. 71-23	05
39637	4021	Stop Cam Spring Stop Block	30
39638	4021	" " " " Screw Block..	30
39640	4046	Arm Top Cover, for Machine No. 71-2	75
39641	4052	Tension (top cover) Releaser, for Machine No. 71-2	10
39641	4052	Tension (top cover, front) Releaser, for Machine No. 71-23	10
39642	4052	Tension (top cover) Releasing Lever, for Machine No. 71-2	1 75
39642	4052	Tension (top cover, front) Releasing Lever, for Machine No. 71-23	1 75
39643	4051	Needle Bar Frame Connection with 1963 and 39616 to 39618, for Machine No. 71-2	2 00
*39644	—	Arm with 24081, for Machines Nos. 71-40 and 71-42	—
39645	4059	Clamp Carrier Guide (right), for Machines Nos. 71-34, 71-35, 71-40, 71-42, 71-45 and 71-46	25
39646	4058	Thread (lower) Cutting Blade Friction Plate, for Machines Nos. 71-34, 71-35, 71-40, 71-42, 71-45 and 71-46	25
39647	4066	Clamp Arm, for all Machines except Nos. 71-6, 71-11, 71-32, 71-35, 71-45 and 71-46	4 00
39648	4066	Clamp Check, for 1/4 to 1 in. button-holes, for Machines Nos. 71-2, 71-5, 71-10 and 71-12	75
39650	4066	Clamp Check Holder, for 39648 and 39691	3 50
39652	4009	Thread Take-up Spring, for Machine No. 71-40	03
39653	4048	Oscillating Rock Shaft, for 39654	1 00
39654	—	Oscillating Rock Shaft complete, Nos. 4784, 23494 and 39653	1 50
39655	4051	Oscillating Shaft	50
39656	4023	" " Bushing (back) ..	40

Numerical List of Parts

No.	Plate	Name	Each
39657	—	Oscillating Shaft Crank, for 39658 and 39692	\$ 50
39658	4023	Oscillating Shaft Crank complete, Nos. 1636r, 24050, 39657 and two 1253c, for all Machines except Nos. 71-6, 71-11, 71-13, 71-35 and 71-36	1 05
Nos. 39659 to 39661, for Machine No. 71-40.			
39659	4055	Arm Top Cover	40
39660	4052	Tension Releaser	10
39661	4052	Thread (upper) Cutting Lever Shaft Collar with 641c	25
Nos. 39662 to 39691, for Machine No. 71-23.			
39662	4047	Bed Oil Guard	75
39663	4061	Clamp Check, for 1/2 to 3/4 in. button-holes	75
39664	4061	Cutting Connecting Rod Slide Cap..	1 50
39665	4061	" " " " Latch with 39667	1 50
39666	4061	Cutting Connecting Rod Slide Latch Sping	05
39667	4061	Cutting Connecting Rod Slide Latch Stud, for 39665	10
39668	4064	Cutting Connecting Rod Slide Latch Tripping Lever Stop Bracket ..	50
39669	4064	Cutting Connecting Rod Slide Latch Tripping Lever Stop Bracket Position Pin, for 39685	01
39670	4062	Knife Bar Disengaging Lever	1 50
39671	4064	" " " " Catch Sleeve	1 25
39672	4064	Knife Bar Disengaging Lever Catch Guide Plate	20
39673	4064	Knife Bar Disengaging Lever Catch Guide Plate Holder with 156r ..	1 25
39674	4064	Knife Bar Disengaging Lever Catch Spring	10
39675	4064	Knife Bar Disengaging Lever Catch Spring Collar with two 191c	20
39676	4064	Knife Bar Disengaging Lever Spring	10
39677	4064	" " " " Tripping Bracket	50
39678	4062	Knife Bar Driving Lever	1 25
39679	4063	" " " " Spring	15
39680	4062	" " " " (intermediate)	1 50

Numerical List of Parts

No.	Plate	Name	Each
39681	4063	Knife Bar Driving Lever (intermediate) Connecting Link	\$ 50
39682	4062	Needle Bar	80
39683	4063	" Clamp with 1049f	75
39684	4063	" Plate	1 00
39685	4053	Starting Lever with two 39669	3 50
39686	4063	" " Cushion (rawhide)	03
39687	4062	" " Rod	75
39688	4063	" " Spring	10
39689	4062	Stop Cam Interlocking Rod	50
39690	4063	" " " " Guide with 1070c	1 00
39691	4066	Clamp Check, for $\frac{1}{4}$ to 1 in. buttonholes	75
39692	4023	Oscillating Shaft Crank complete, Nos. 1636e, 15171, 39657 and two 1253c, for Machines Nos. 71-6, 71-11, 71-13, 71-35 and 71-46	1 10
39693	—	Clamp Check complete, for $\frac{3}{8}$ to $\frac{1}{2}$ in. buttonholes, Nos. 219f, 2269, 39606, 39609 and 40048 to 40050, for Machines Nos. 71-34, 71-40, 71-42 and 71-45	4 50
Nos. 39696 to 39707, for Machine No. 71-23.			
39696	4068	Arm Side Cover	20
39697	4068	" Top Cover	1 00
39698	4069	Tension (top cover, back) Releaser	50
39699	4069	" " " " " " Bracket (lower)	75
39700	4069	Tension (top cover, back) Releaser Bracket (upper) with 39701	50
39701	4069	Tension (top cover, back) Releaser Bracket (upper) Thread Guide, for 39700	10
39702	4069	Tension (top cover, back) Releaser Lever with 914f and 1954	1 00
39703	4069	Tension (top cover, back) Releaser Spring	10
39704	4069	Tension (top cover, back) Releaser Spring Adjusting Collar with 237f	15
39705	4069	Tension (top cover, back) Releasing Cam with two 453c	1 25
39706	4062	Pulley (tight) (steel)	3 00
39707	4056	Clamp Check Holder	3 50
39708	4047	Table Belt Guide Pulley Shaft with 858c, for 39709 and 39716	50

Numerical List of Parts

No.	Plate	Name	Each
39709	4047	Table Belt Guide (single, right) complete, Nos. 14229, 23536, 23538, 39708 and four wood screws $1\frac{1}{2}$ in., No. 12, R.H.B.	\$1 50
*39710	—	Bed, for Machine No. 71-23	—
39711	4007	Thread Guiding Stud (side of arm), for Machines Nos. 71-2, 71-23 and 71-45	05
39712	4007	Thread Retainer Holder with 462c, for 39714	20
39713	4007	Thread Retainer Spring, for 39714	01
39714	—	Thread Retainer complete, Nos. 1664d, 12400, 12402, 39712 and 39713, for Machines Nos. 71-2 and 71-45	35
39715	4066	Clamp Check Holder Stop Screw Washer, for Machines Nos. 71-23 and 71-47	02
39716	4047	Table Belt Guide (single, left) complete, Nos. 14229, 23536, 23538, 39708 and four wood screws $1\frac{1}{2}$ in., No. 12, R.H.B.	1 50
39717	4039	Clamp Lifting Arm, for 39551	60
Nos. 39718 to 39725, for Machine No. 71-35.			
*39718	—	Bed; also for Machine No. 71-46 ..	—
39719	4078	Clamp Carrier; also for Machine No. 71-46	3 00
39720	4078	Clamp Carrier Slide with 1345d, 39591 and two 756d; also for Machine No. 71-46	4 35
39721	4072	Clamp Check with 39723, two each 237f and 1348c, for 39722	8 00
39722	—	Clamp Check complete, Nos. 219f, 2269, 39721, 39728, 39729, 40049 and 40050	9 00
39723	4072	Clamp Check Section and Cutting Plate, for 39721	2 00
39724	4078	Clamp Lifting Arm; also for Machine No. 71-46	1 00
39725	4072	Clamp Lifting Arm Stop Bracket; also for Machine No. 71-46	75
39726	4072	Needle Plate, for Machine No. 71-35	1 25
39727	4078	Thread (lower) Cutting Lever, for Machines Nos. 71-35 and 71-46 ..	1 25
39728	4072	Thread (upper) Clamping Blade, for 39722	20
39729	4072	Thread (upper) Cutting Blade, for 39722	20

Numerical List of Parts

No.	Plate	Name	Each
39730	4070	Thread (upper) Cutting Blade Connecting Rod, for Machine No. 71-35	\$ 40
39731	4085	Clamp Check with 1348c, 39733 and two 50138r, for $\frac{3}{8}$ to $\frac{1}{2}$ in. buttonholes, for 39732	7 00
39732	—	Clamp Check complete, for $\frac{3}{8}$ to $\frac{1}{2}$ in. buttonholes, Nos. 219r, 2269, 39731, 39734, 39735, 40049 and 40050, for Machines Nos. 71-34, 71-40 and 71-42	8 00
39733	4085	Clamp Check Section and Cutting Plate, for 39731	1 25
39734	4085	Thread (upper) Clamping Blade, for 39732	20
39735	4085	Thread (upper) Cutting Blade, for Machines Nos. 71-34, 71-40 and 71-42	20
39736	4058	Thread (lower) Cutting Blade Carrier Lever Spring, for Machines Nos. 71-34, 71-35, 71-40, 71-42, 71-45 and 71-46	05
39749	—	Feed Wheel with 23432 and two 220d, for short buttonhole with coarse stitch, for Machine No. 71-45	6 00
39750	—	Feed Disengaging Lever, for 39752 ..	4 00
Nos. 39752 to 39756, for Machine No. 71-45.			
39752	4070	Feed Disengaging Lever complete, Nos. 200r, 1998 and 39750	4 50
39753	4078	Clamp Lifting Arm	60
39754	4074	Thread (upper) Cutting Blade Opener Lever	2 50
39755	4074	Thread (upper) Cutting Blade Opener Lever Latch	1 50
39756	4074	Thread (upper) Cutting Blade Opener Lever Trip Bracket	2 50
*39757	—	Arm with 24081, for Machine No. 71-46	—
Nos. 39759 to 39766, for Machine No. 71-46.			
39759	4070	Barring Cam with two 858c	2 50
39760	4078	Bed Oil Guard	1 00
39761	4071	Clamp Check	1 00
39762	4078	Carrier Regulator Slide	30
39763	4071	Check Adjusting Plate	50
39764	4075	Holder	50

Numerical List of Parts

No.	Plate	Name	Each
39765	4075	Cord and Thread Clamping Spring..	\$ 05
39766	4075	“ “ “ Cutting Knife	20
39768	4075	“ Leading Bracket Dowel Pin, for Machine No. 71-46	05
39770	4075	Cord Leading Eye (double), for Machine No. 71-46	05
39772	4075	Cord Rotating Gear Gib (front)	35
39773	4075	“ “ “ “ (back)	35
Nos. 39775 to 39801, for Machine No. 71-46.			
39775	4077	Cord Rotating Sector Catch	1 00
39776	4077	“ “ “ “ Connection	50
39777	4077	Cord Rotating Sector Catch Connection Collar with 219r	15
39778	4077	Cord Rotating Sector Catch Stop Spring	05
39779	4077	Cord Rotating Tripping Cam with two 453c	1 50
39780	4076	Cord Rotating Gear Slide	1 75
39781	4076	“ “ “ “ Block	40
39782	4076	“ “ “ “ Flange with two 453c	75
39783	4076	Cord Rotating Gear Slide Sleeve	1 25
39784	4076	“ “ “ “ Spring	05
39785	4076	“ “ “ “ Extension ..	1 00
39786	4076	“ “ “ “ Sleeve Slide Rod	30
39787	4076	Cord Rotating Gear Slide Sleeve Slide Rod Connection	85
39788	4076	Cord Rotating Gear Slide Connecting Spring	10
39789	4074	Cord Tension Spring	03
39790	4077	“ Take-up Spring	05
39791	4070	Face Plate	1 50
39792	4078	Feed Wheel with 23432 and two 220d ..	6 00
39793	4070	“ “ Shaft	1 00
39794	4070	Needle Bar Frame with 4784	2 00
39795	—	Knife, $\frac{3}{8}$ inch	20
39796	4077	“ Holder	2 50
39797	4077	Tension (side of arm) Releaser Shaft ..	15
39798	4077	“ “ “ “ “ “ “ “ Crank	75
39799	—	Knife, $\frac{3}{8}$ inch	20
39800	—	“ $\frac{1}{2}$ inch	20
39801	—	“ $\frac{5}{8}$ inch	20

No.	Plate	Name	Each
Nos. 39802 to 39807, for Machine No. 71-47.			
39802	4102	Clamp Check	\$ 75
39803	—	Feed Wheel with two 23432 and four 220D	6 00
39804	4071	Needle Plate	1 00
39805	4071	Guide (back), for locating the ends of corsets	50
39806	4071	Guide (side), for locating the ends of corsets	50
39807	4078	Clamp Carrier Slide with 39591 and three 756D	4 00
39808	4080	Clamp Check Lifting Chain Guide Pulley, for 39809	20
39809	—	Clamp Check Lifting Chain Guide Pulley Bracket complete, Nos. 39570, two each 1064D, 39808 and wood screws 1½ in., No. 12, R.H.B., for 39818	90
39810	4080	Rock Shaft, for 39812 and 39814	10
39811	4080	" " Starting Hook (right hand) with 39576, for 39812	20
39812	—	Rock Shaft complete, (right hand), Nos. 2770, 6336, 6337, 7539, 20093, 39810 and 39811, for 39818	1 15
39813	4080	Rock Shaft Starting Hook (left hand) with 39576, for 39814	20
39814	—	Rock Shaft complete (left hand). Nos. 2770, 6336, 6337, 7539, 20093, 39810 and 39813, for 39817	1 15
39815	4080	Rock Shaft Starting Hook Chain. 14½ in. long (left), with 39575, for 39817	12
39816	4080	Rock Shaft Starting Hook Chain, 5½ in. long (right), with 39575, for 39818	08
39817	—	Rock Shaft and Treadle Chain Guide Combination complete, for left hand machines when set in pairs, Nos. 39572, 39814 and 39815	2 25
39818	—	Rock Shaft and Treadle Chain Guide Combination complete, for right hand machines when set in pairs, Nos. 39809, 39812 and 39816	2 20
39824	—	Clamp Check Adjusting Plate	50
39825	—	" " Holder	50
39826	—	Knife, 1½ in., for Machine No. 71-46 ..	20

No.	Plate	Name	Each
Nos. 39829 to 39831, for Machine No. 71-46.			
39829	—	Knife, ¾ inch	\$ 20
39830	—	" 1 inch	20
39831	—	" 1½ inch	20
39832	4076	Cord Rotating Sector Adjustable Catch Notch Gib, for 39856	50
39833	—	Clamp Check	1 00
39834	—	Knife, ¾ in., for Machine No. 71-45..	20
*39835	—	Bed, for Machine No. 71-46	—
*39836	—	" " " 71-45	—
39837	4077	Needle Plate, for Machine No. 71-46..	1 00
39838	4075	Thread Cutter and Holder, for Ma- chine No. 71-47	03
Nos. 39839 to 39843, for Machine No. 71-46.			
39839	—	Knife, 1½ inch	20
39840	—	" 1½ inch	20
39841	—	" 1½ inch	20
39842	—	" 1½ inch	20
39843	—	" 1½ inch	20
39844	4074	Barring Indicator, for Machines Nos. 71-2, 71-5, 71-6, 71-23, 71-34, 71-35, 71-45 and 71-46	35
Nos. 39852 to 39854, for 39905.			
Nos. 39852 to 39856, for Machine No. 71-46.			
39852	4102	Cord Leading Finger (lower)	2 00
39853	4102	" " " " Screw Washer	01
39854	4102	Cord Leading Finger (upper)	1 25
39855	4102	" Rotating Gear	1 00
39856	4102	" " Sector with 7071, 39832 and 201321c	2 75
Nos. 39886 to 39898, for 39898.			
Nos. 39886 to 39898, for all Machines ex- cept No. 71-47.			
39886	—	Knife Grinder Emery Wheel, 4 in. diameter	60
39887	4083	Knife Grinder Emery Wheel Driving Shaft	1 25
39888	4083	Knife Grinder Emery Wheel Driving Shaft Oil Hole Cover	10
39889	4082	Knife Grinder Frame	2 00
39890	4086	" " Knife Holder (adjust- able)	2 00

Numerical List of Parts

No.	Plate	Name	Each
39891	4083	Knife Grinder Knife Holder Indicator	\$ 10
39892	4086	" " " " Slide Bracket with 200386c	1 50
39893	4086	Knife Grinder Knife Holder Slide Bracket Adjusting Screw Slide Plate	50
39894	4086	Knife Grinder Knife Holder Slide Bracket Shaft	50
39895	4083	Knife Grinder Knife Holding Spring	05
39896	4083	" " " " " Bracket	50
39897	4083	Knife Grinder Knife Stop (adjust- able)	10
39898	—	Knife Grinder complete, Nos. 57C, 176D, 208D, 219F, 771D, 793D, 9525, 10249, 39886 to 39897, 200165H, 200283c, 201298c, 201510D, 203094, 204101, 206963, two each 200577H, 204264, 206232, 206969 and three wood screws 1½ in., No. 12	10 00
39899	4102	Cord Leading Bracket, for Machine No. 71-46	1 50
39900	—	Needle Bar Frame Regulator 23491 with 1245c, for Machines Nos. 71-2, 71-5, 71-6, 71-23, 71-34, 71-35, 71-45 and 71-46	1 60
39901	—	Tension Releaser 23519 with 2269, 23520 and 39560, for Machines Nos. 71-6, 71-11 and 71-13	80
39904	—	Shuttle Race Body 23506 with 7326 and two 662D, for 23621	1 35
39905	—	Cord Leading Finger complete, Nos. 337D and 39852 to 39854, for Ma- chine No. 71-46	3 25
		Nos. 39910 to 39912, for 39913.	
39910	4082	Bed Frame with two each 16555, 19398, four each 158E, 24106, six 14010 and four wood screws 1½ in., No. 12	3 25
39911	4084	Splash Guard with 201655J	1 75
39912	4083	" " Hinge	05
39913	—	Bed Frame and Splash Guard com- plete, Nos. 39910, 39911, two 39912 and eight 200574E, for Machines Nos. 71-2 and 71-10	5 00
39921	—	Thread (lower) Cutting Lever Exten- sion, for Machines Nos. 71-34, 71-40, 71-42 and 71-45	30

Numerical List of Parts

No.	Plate	Name	Each
40003	4041	Clamp Arm Bracket Guide (left), for Machines Nos. 71-23, 71-34, 71-35, 71-40, 71-42 and 71-45 to 71-47	\$ 20
40004	4041	Clamp Arm Bracket Guide (right), for Machines Nos. 71-23, 71-34, 71-35, 71-40, 71-42 and 71-45 to 71-47	20
40005	4051	Clamp Carrier, for Machines Nos. 71-34, 71-40, 71-42 and 71-45	3 00
40006	4004	Clamp Carrier Block with 40007 and four 404D	75
40007	4004	Clamp Carrier Block Plate, for 40006	20
40010	4035	" " Regulator with 240D, .1960 and 39583, for all Machines except Nos. 71-6, 71-11, 71-13, 71-35 and 71-46	2 50
40013	4134	Guide, for Machine No. 71-46	10
40014	4054	Clamp Lifting Arm, for Machines Nos. 71-34, 71-40 and 71-42	50
		Nos. 40015 to 40017, for Machines Nos. 71-34, 71-35, 71-40, 71-42, 71-45 and 71-46.	
40015	4059	Clamp Lifting Arm Connection	1 00
40016	4059	" " " " Roller and Screw Stud Bracket	40
40017	4059	Clamp Lifting Arm Stop	75
40018	4060	" " " " Bracket, for Machines Nos. 71-34, 71-40, 71-42 and 71-45	75
40019	4054	Clamp Lifting Arm Stop Pitman, for Machines Nos. 71-34, 71-35, 71-40, 71-42, 71-45 and 71-46	50
40020	4055	Clamp Plate, for Machines Nos. 71-23, 71-34, 71-35, 71-40, 71-42 and 71-45 to 71-47	1 25
40024	4035	Pulley (tight), for all Machines ex- cept No. 71-23	2 50
40025	4004	Pulley (tight) Pin	01
40026	4065	Shuttle Bobbin Case Position Finger, for 40027	05
40027	4065	Shuttle Bobbin Case complete, Nos. 591F, 592E, 2523, 2975, 15141, 23680 and 40026, for 40029	75
40028	4065	Shuttle Body, for 40029	75
40029	4065	" 1½ in. diam., Nos. 23500, 40027 and 40028, for Machines Nos. 71-34, 71-35, 71-42 and 71-46	1 50
40031	4071	Stop Cam Interlocking Rod Guide with 1070c, for Machine No. 71-47	1 00

Numerical List of Parts

No.	Plate	Name	Each
40032	4004	Stop Cam Spring Stop Screw Block (obsolete)	\$ 15
40033	4054	Tension Releaser Arm with 641c, for Machines Nos. 71-34 and 71-42..	1 25
40033	4054	Tension (side of arm) Releaser Arm with 641c, for Machines Nos. 71-35, 71-45 and 71-46	1 25
40034	4060	Tension Releaser Shaft Crank, for Machines Nos. 71-34 and 71-42 ..	75
40034	4060	Tension (side of arm) Releaser Shaft Crank, for Machines Nos. 71-35 and 71-45	75
Nos. 40035 to 40037, for Machines Nos. 71-34, 71-35, 71-40, 71-42, 71-45 and 71-46.			
40035	4058	Thread (lower) Cutting Blade	30
40036	4058	“ “ “ “ Carrier with 40038	1 25
40037	4054	Thread (lower) Cutting Blade Carrier Lever	2 00
40038	4058	Thread (lower) Cutting Blade Carrier Stud, for 40036, for Machines Nos. 71-34, 71-35, 71-40, 71-42, 71-45 and 71-46	15
40039	4060	Thread (lower) Pull-off Finger, for Machines Nos. 71-34, 71-35, 71-40, 71-42, 71-45 and 71-46	1 00
40040	4054	Thread (lower) Cutting Lever, for Machines Nos. 71-34, 71-40, 71-42 and 71-45	1 00
40043	4057	Tension (top cover, back) Releaser Collar with 237f, for Machine No. 71-23	15
40043	4057	Thread (upper) Cutting Blade Connecting Rod Collar (back) with 237f, for Machines Nos. 71-34, 71-40, 71-42 and 71-45	15
40044	4057	Thread (upper) Cutting Blade Connecting Rod Collar (front) with 237f, for Machines Nos. 71-34, 71-35, 71-40, 71-42 and 71-45	15
40045	4057	Thread (upper) Cutting Blade Connecting Rod Collar (front) Washer (rawhide), for Machines Nos. 71-34, 71-35, 71-40, 71-42 and 71-45	01

Numerical List of Parts

No.	Plate	Name	Each
40047	4057	Thread (upper) Cutting Blade Connecting Rod Spring Collar with 646f, for Machines Nos. 71-34, 71-35, 71-40, 71-42 and 71-45	\$ 15
Nos. 40048 to 40050, for 39693.			
40048	4056	Thread (upper) Clamping Blade	20
40049	4056	“ “ Cutting Blade Shaft with 21699; also for 39722	25
40050	4056	Thread (upper) Cutting Blade Shaft Crank with 906c; also for 39722	30
40051	4054	Tension (side of arm) Releaser Lever with 641c, for Machine No. 71-46	1 00
40051	4054	Thread (upper) Cutting Lever with 641c, for Machines Nos. 71-34, 71-35, 71-40, 71-42 and 71-45	1 00
40052	4057	Tension (side of arm) Releaser Lever Lock Pin, for Machine No. 71-46	10
40052	4057	Thread (upper) Cutting Lever Lock Pin, for Machines Nos. 71-34, 71-35, 71-40, 71-42 and 71-45	10
40053	4057	Tension (side of arm) Releaser Lever Pin, for Machine No. 71-46	02
40053	4057	Thread (upper) Cutting Lever Lock Pin Spring, for Machines Nos. 71-34, 71-35, 71-40, 71-42 and 71-45	02
40054	4054	Tension (side of arm) Releaser Lever Shaft, for Machine No 71-46	75
40054	4054	Thread (upper) Cutting Lever Shaft, for Machines Nos. 71-34, 71-35, 71-40, 71-42 and 71-45	75
Nos. 40057 to 40059, for Machines Nos. 71-34, 71-35, 71-40, 71-42 and 71-45.			
40057	4057	Thread (upper) Cutting Lever Shaft Crank Latch	50
40058	4057	Thread (upper) Cutting Lever Shaft Crank Latch Spring	05
40059	4057	Thread (upper) Cutting Lever Shaft Crank Latch Stop Pin; also for 39612	Per 100
40060	4052	Tension (side of arm) Releaser Lever Spring, for Machine No. 71-46 ..	10
40060	4052	Thread (upper) Cutting Lever Spring, for Machines Nos. 71-34, 71-35, 71-40, 71-42 and 71-45	10
40066	4071	Needle Bar with 857H, for Machine No. 71-47	80

Numerical List of Parts

No.	Plate	Name	Each
40067	4054	Tension (side of arm) Releaser Lever Shaft Bracket, for Machine No. 71-46	\$1 25
40067	4054	Thread (upper) Cutting Lever Shaft Bracket, for Machines Nos. 71-34, 71-35, 71-40, 71-42 and 71-45	1 25
41401	4032	Machine Rest Pin (wood), 5 $\frac{1}{8}$ in. long	06
41402	4067	Bobbin Winder Base Plate, for 41403	20
41403	—	Bobbin Winder (swinging automatic, right hand) complete, Nos. 135D, 27921, 27923, 41402 and four 389F, for Machine No. 71-23	2 45
41434	—	Thread Unwinder Spool Rest, for 41435	40
41435	—	Thread Unwinder Spool Rest 41434 with 1149c, three each 155c and 27623, for 41438	75
41438	—	Thread Unwinder complete, for three large spools or three large cones of thread, Nos. 27940, 41435, 41632, 41640, three each 27739, 41514 and wood screws 1 in., No. 12	2 30
41514	2837	Thread Unwinder Spool Weight, 4 in. diam., with 41515, for 41438 and 41533	15
41515	4024	Thread Unwinder Spool Weight Center Pin, for 41514	05
41530	2837	Thread Unwinder Spool Rest, for 41531	30
41531	—	Thread Unwinder Spool Rest 41530 with 1149c, two each 155c and 27623, for 41533	50
41533	2837	Thread Unwinder complete, for two large spools or two large cones of thread, Nos. 27940, 41531, 41631, 41640, two each 27739, 41514 and three wood screws 1 in., No. 12	1 80
41569	4085	Thread Unwinder Thread Guard Eyelet for 41631 and 41632	02
41631	2837	Thread Unwinder Thread Guard with 208E and two 41569, for 41533 ..	35
41632	—	Thread Unwinder Thread Guard with 208E and three 41569, for 41438 ..	40

Numerical List of Parts

No.	Plate	Name	Each
Nos. 41637 to 41639, for 41640.			
41637	2837	Thread Unwinder Thread Guard Rod (lower)	\$ 10
41638	2837	Thread Unwinder Thread Guard Rod (upper)	15
41639	2837	Thread Unwinder Thread Guard Rod Coupling with two 456c	20
41640	—	Thread Unwinder Thread Guard Rod, 30 in. long, complete, Nos. 41637 to 41639, for 41438 and 41533	45
Nos. 50010 to 50013, for Machine No. 71-23.			
50010D	4064	Cutting Connecting Rod Slide Latch Tripping Lever Stop Bracket Screw	04
50011C	4064	Knife Bar Disengaging Lever Hinge Screw	15
50012C	4063	Starting Lever Adjusting Screw	15
50013F	4063	" " Stop Screw	10
50021F	4069	Tension (top cover, back) Screw Stud, for Machine No. 71-23	10
50088C	4072	Feed Wheel Driving Lever Pitman Ball Joint Screw, for 23428 and 39554	15
50138F	4085	Clamp Check Section and Cutting Plate Screw, for 39731	02
Nos. 50162 to 50166, for Machine No. 71-46.			
50162F	4071	Clamp Check Hinge Screw (front) ..	02
50163F	4071	" " Adjusting Plate Screw	02
50164D	4075	Cord and Thread Clamping Spring Screw	02
50165D	4075	Cord and Thread Cutting Knife Screw	02
50166	4076	Cord Rotating Gear Slide Connecting Spring Screw Eye (back)	05
50167D	4077	Cord Tension Disc Screw Stud, for Machine No. 71-46	08
200165H	11658	Knife Grinder Knife Holder Indicator Screw, for 39898	02
200283C	11658	Knife Grinder Emery Wheel Driving Shaft Oil Hole Cover Screw, for 39898	06
200386C	11658	Knife Grinder Knife Holder Slide Bracket Set Screw, for 39892	02
200403C	11658	Knife Grinder Emery Wheel Driving Shaft Pulley Set Screw, for 206963	03

Numerical List of Parts

No.	Plate	Name	Each
200574E	11658	Splash Guard Hinge Screw, for 39913	\$ 05
200577H	11658	Knife Grinder Knife Holder Slide Bracket Adjusting Screw Slide Plate Screw, for 39898	02
201052c	11658	Knife Grinder Knife Holder Slide Bracket Shaft Collar Set Screw, for 206232	02
201210c	4102	Clamp Carrier Regulator Stop (to reg- ulate length of buttonhole), for Machine No. 71-45	10
201210c	4102	Clamp Carrier Regulator Stop (to reg- ulate length of tack), for Machine No. 71-47	10
201287E	4102	Cord Rotating Sector Hinge Screw (eccentric), for Machine No. 71-46	20
201298c	11658	Knife Grinder Knife Holder Slide Bracket Adjusting Screw, for 39898	12
201321c	4102	Cord Rotating Sector Adjustable Catch Notch Gib Screw, for 39856	05
201510D	11658	Knife Grinder Emery Wheel Driving Shaft Nut, for 39898	05
201655J	11658	Splash Guard Locking Screw Wing Nut	08
203094	11658	Knife Grinder Knife Holder Indicator Position Pin, for 39898	01
203149	4102	Guide Screw Washer, for Machine No. 71-47	01
204101	11658	Knife Grinder Emery Wheel Driving Shaft Nut Washer, for 39898	02
204264	11658	Knife Grinder Knife Holding Spring Bracket Position Pin, for 39898..	01
204264	11658	Knife Grinder Knife Holding Spring Position Pin, for 39898	01
206232	11658	Knife Grinder Knife Holder Slide Bracket Shaft Collar with 201052c, for 39898	15
206963	11658	Knife Grinder Emery Wheel Driving Shaft Pulley with two 200403c, for 39898	35
206969	—	Knife Grinder Emery Wheel Washer (paper), for 39898	01
213949	4102	Cord Rotating Sector Hinge Screw Washer, for Machine No. 71-46 ..	01

PLATE 2837—ONE-FOURTH SIZE

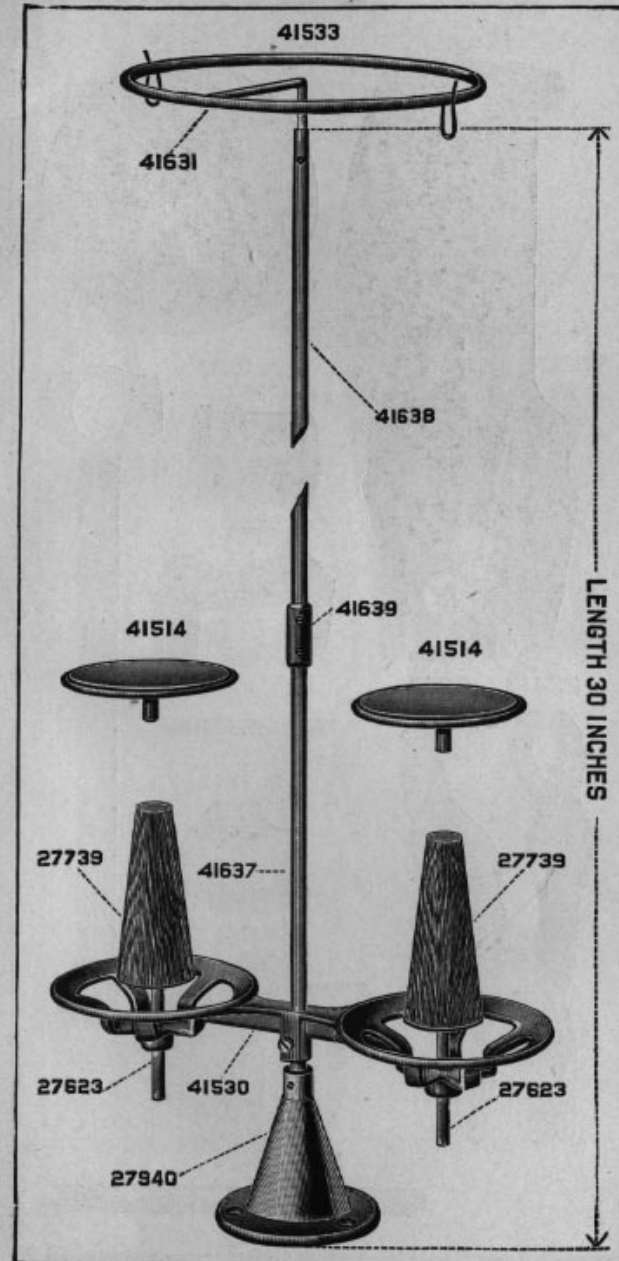


PLATE 4000—ONE-HALF SIZE

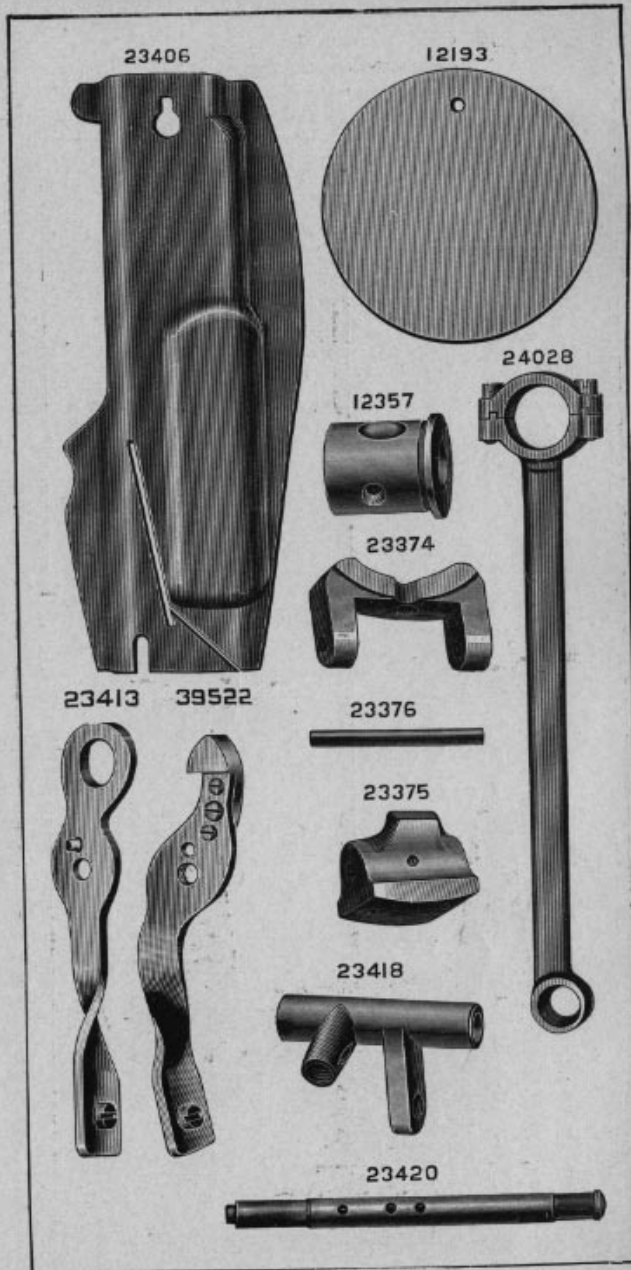


PLATE 4001—ONE-HALF SIZE

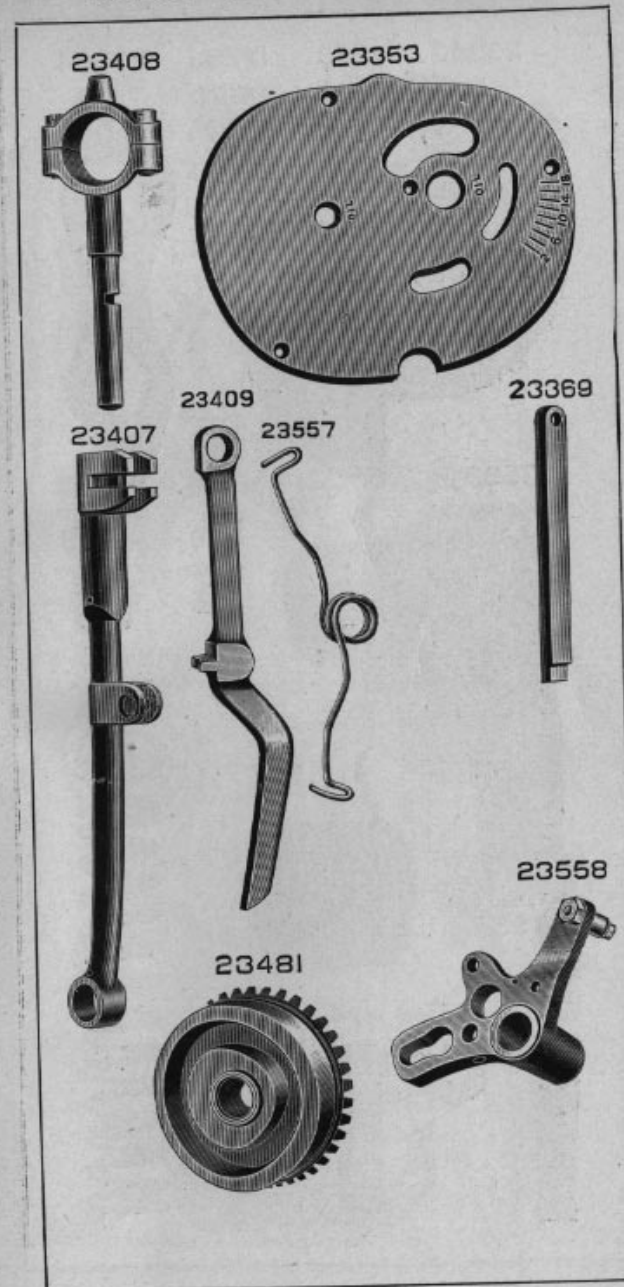


PLATE 4002—FULL SIZE

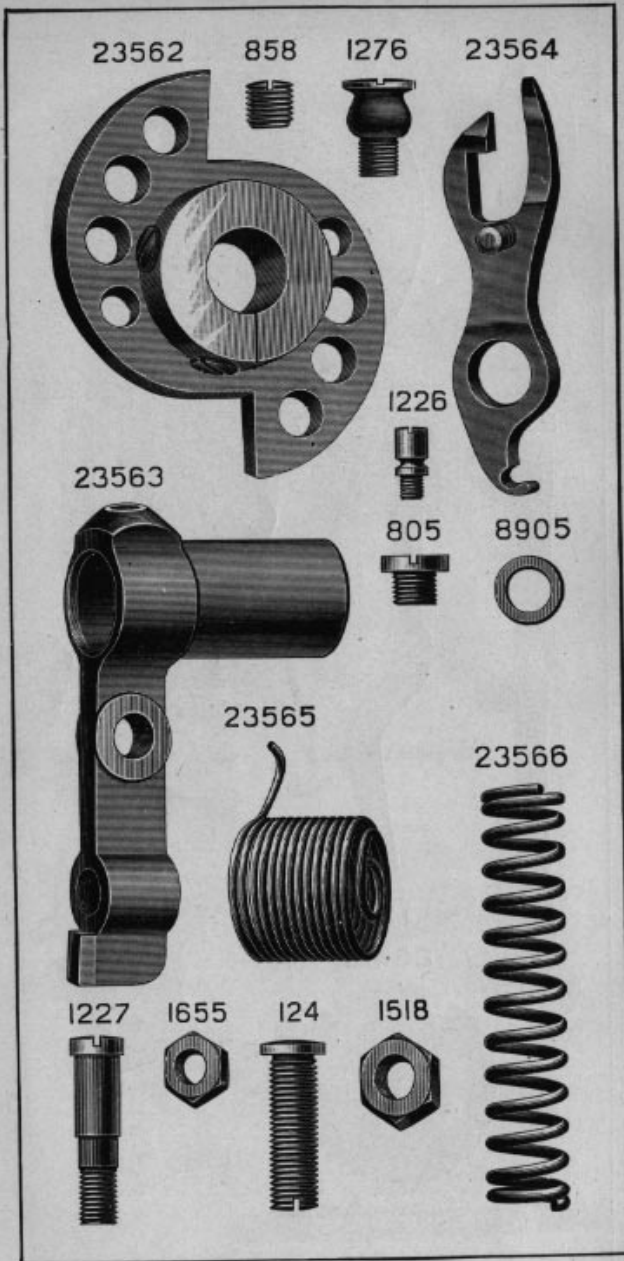


PLATE 4003—FULL SIZE

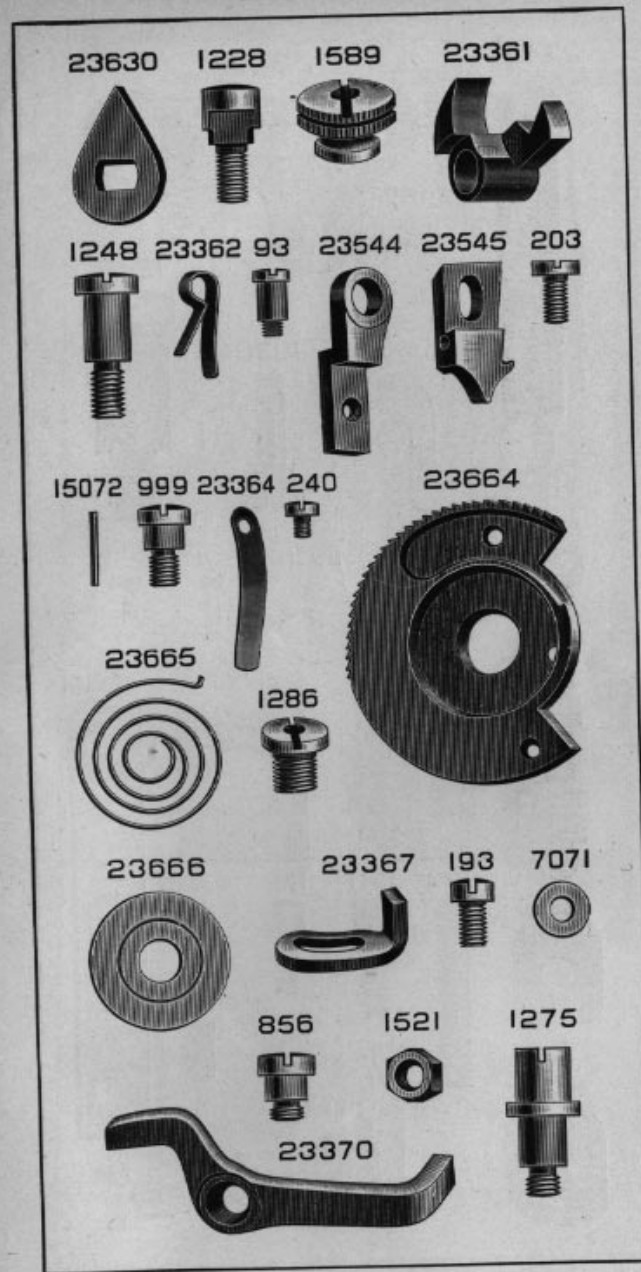


PLATE 4004—FULL SIZE

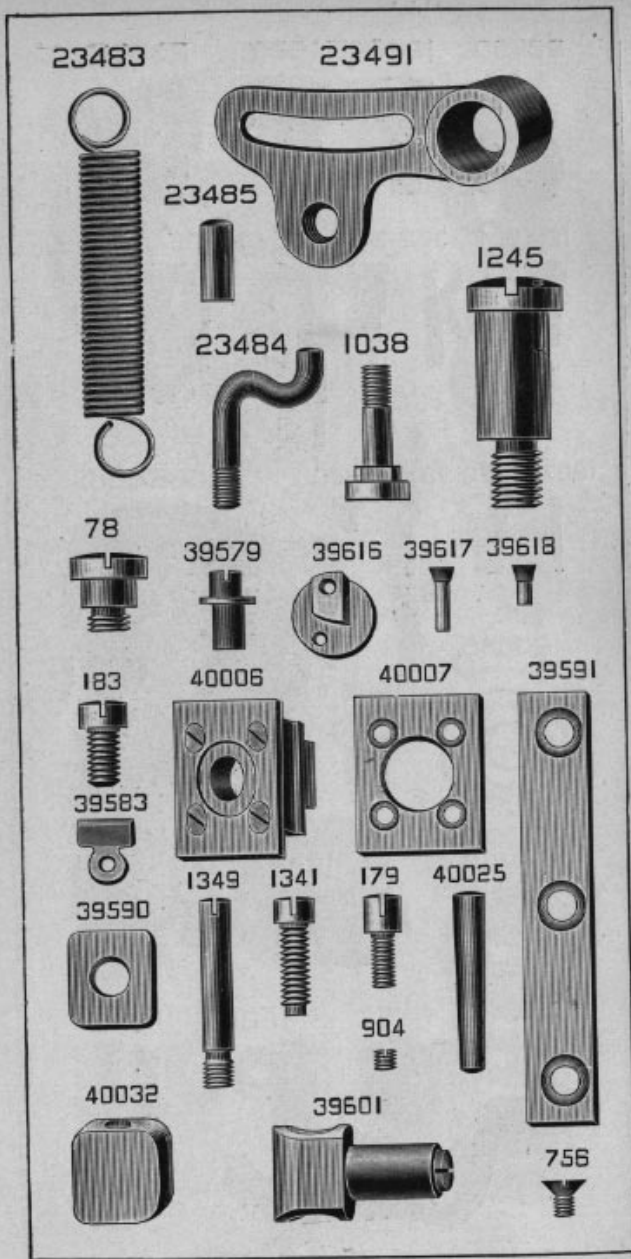


PLATE 4005—ONE-HALF SIZE

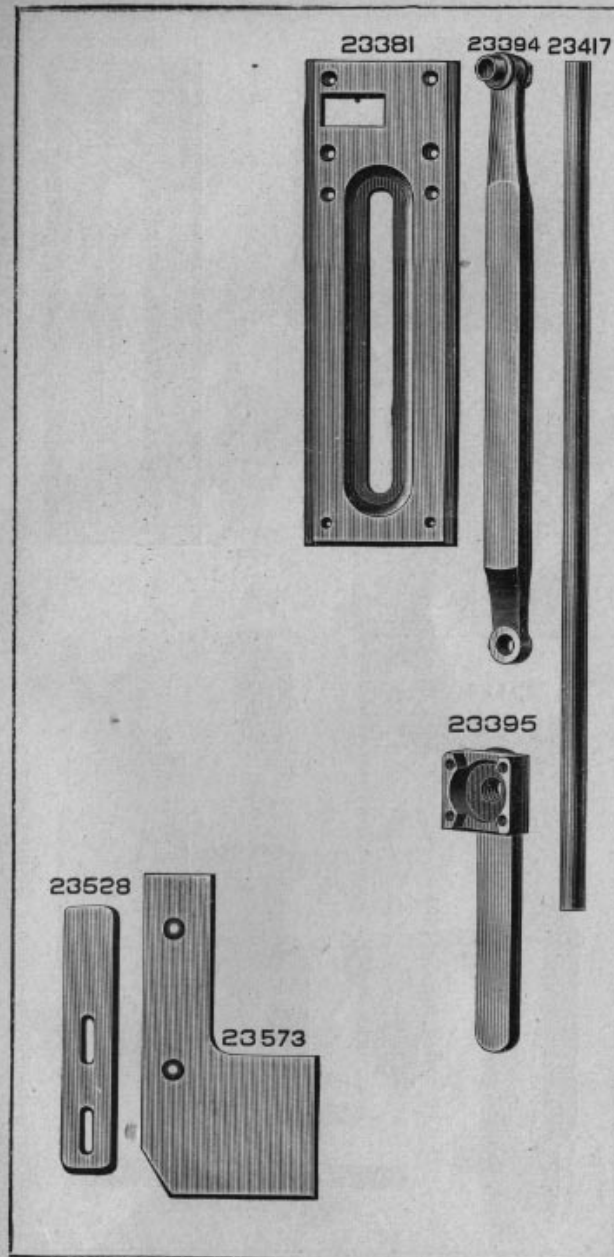


PLATE 4006—ONE-HALF SIZE

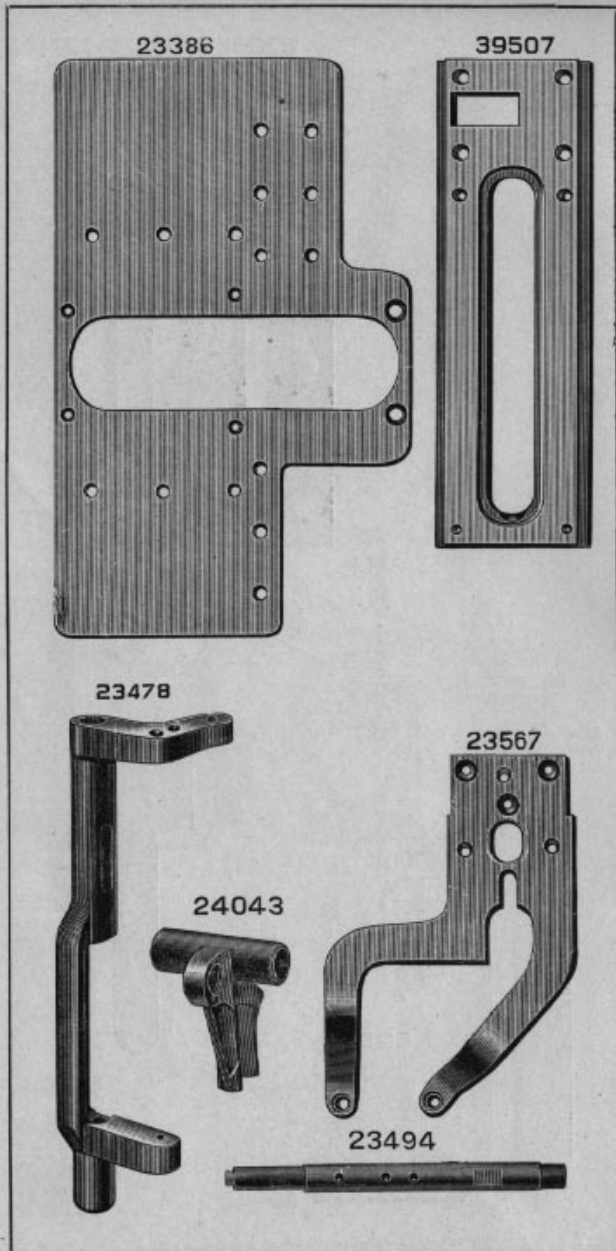


PLATE 4007—FULL SIZE

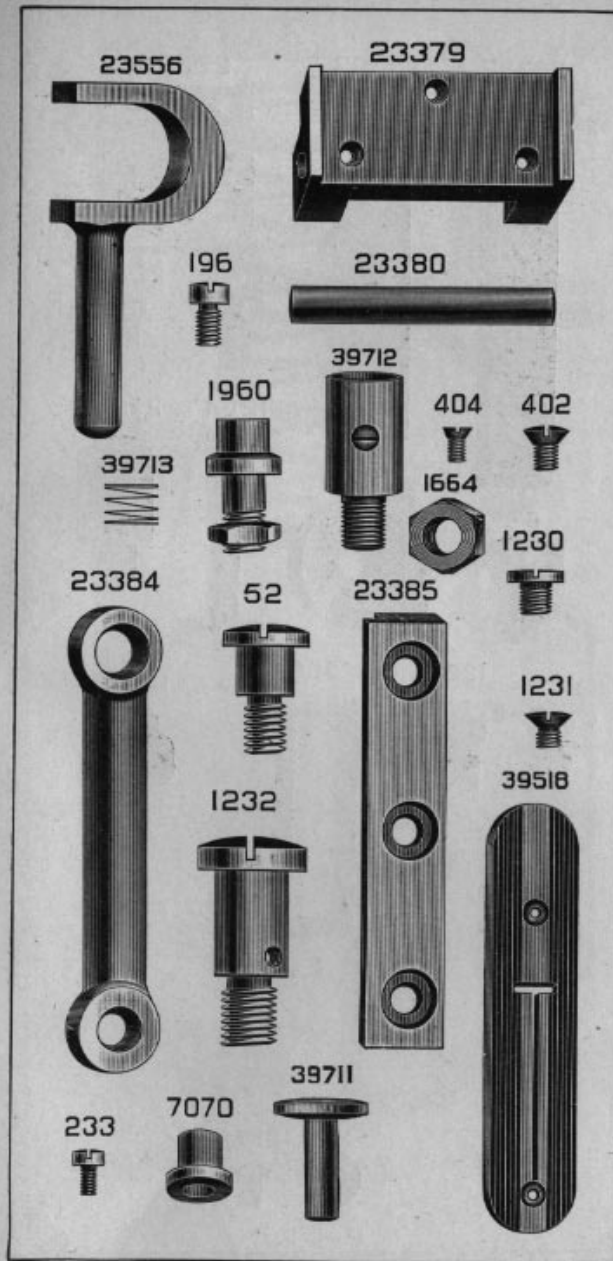


PLATE 4008—FULL SIZE

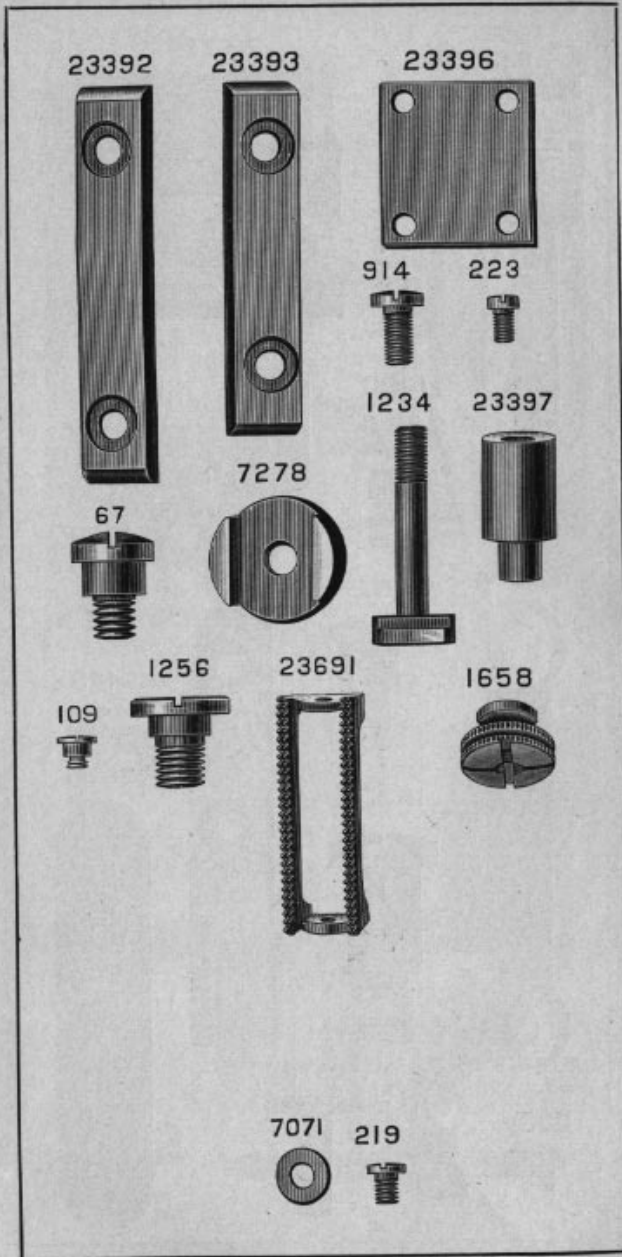


PLATE 4009—FULL SIZE

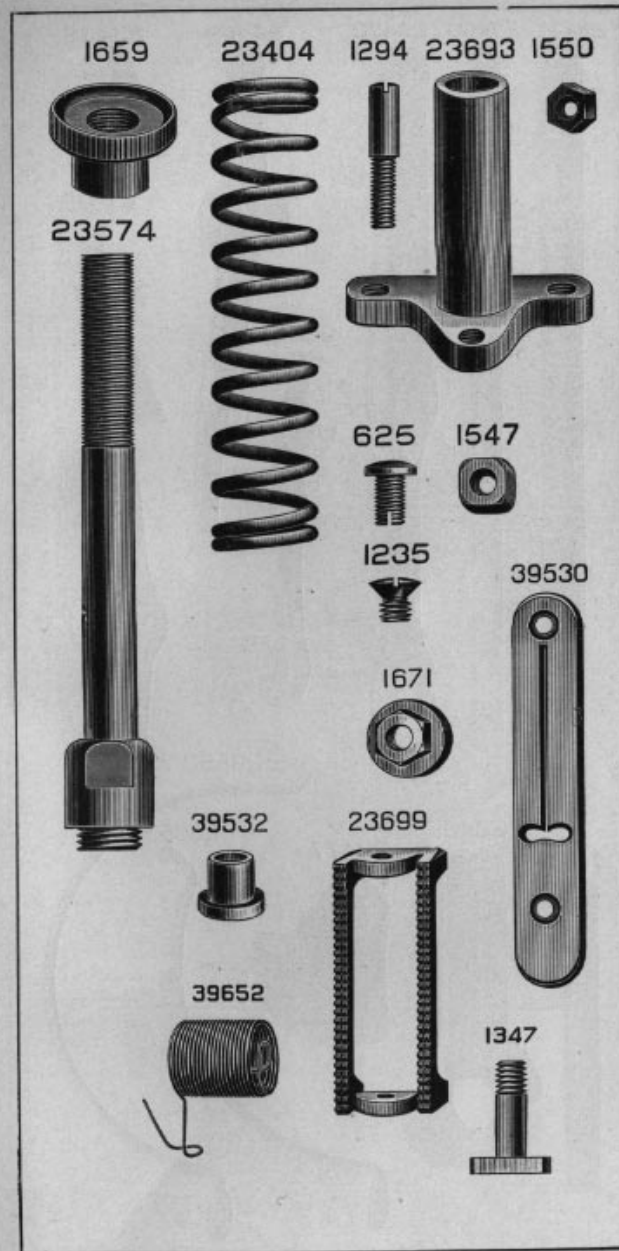


PLATE 4010—ONE-HALF SIZE

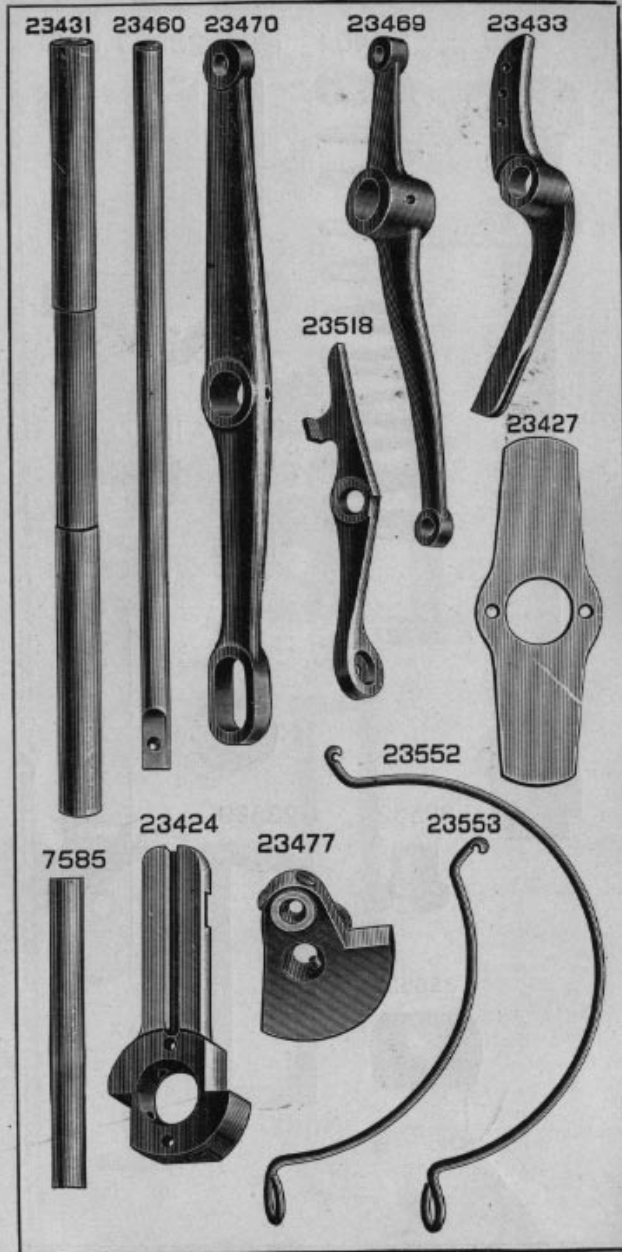


PLATE 4011—ONE-HALF SIZE

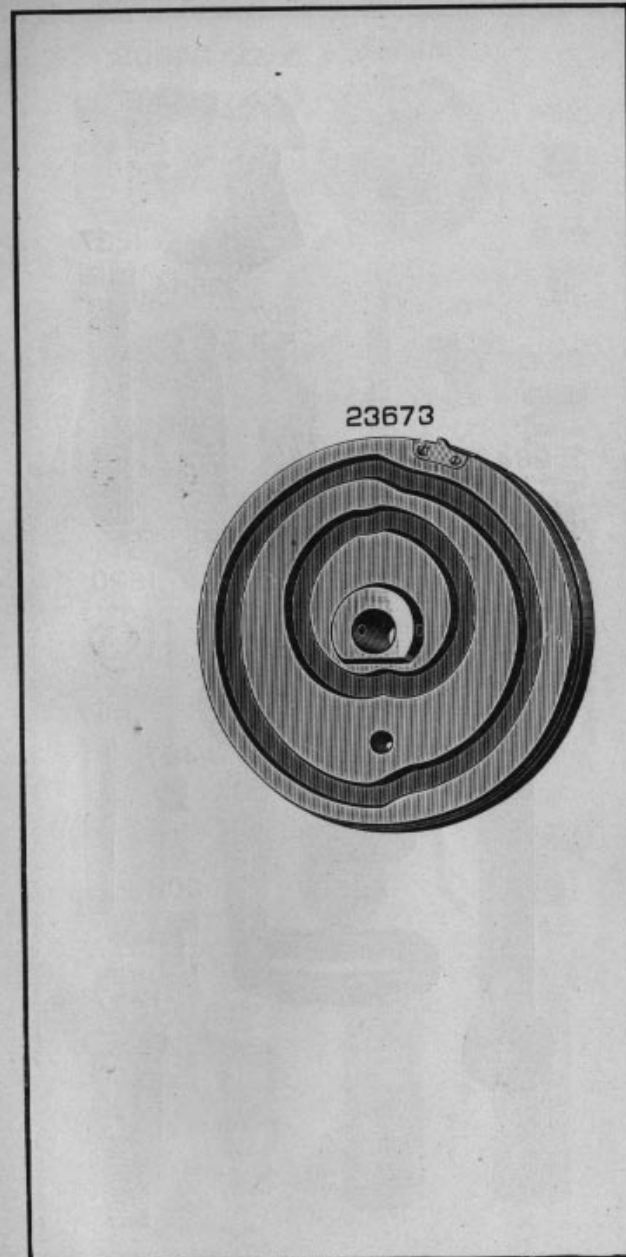


PLATE 4012—FULL SIZE

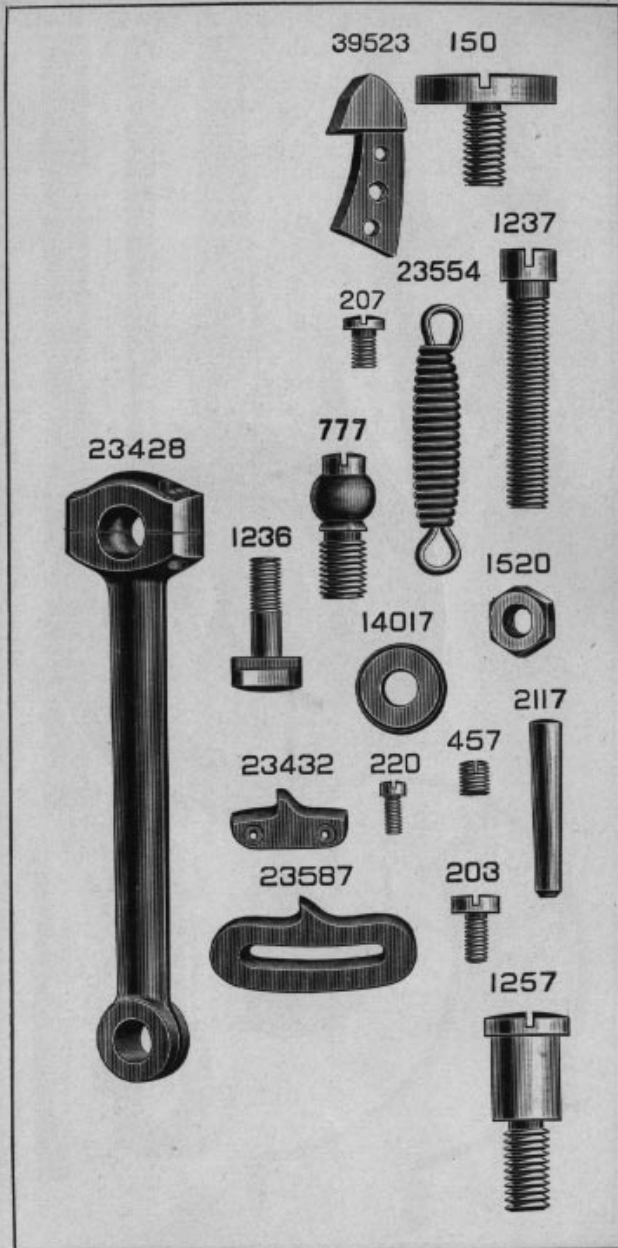


PLATE 4013—FULL SIZE

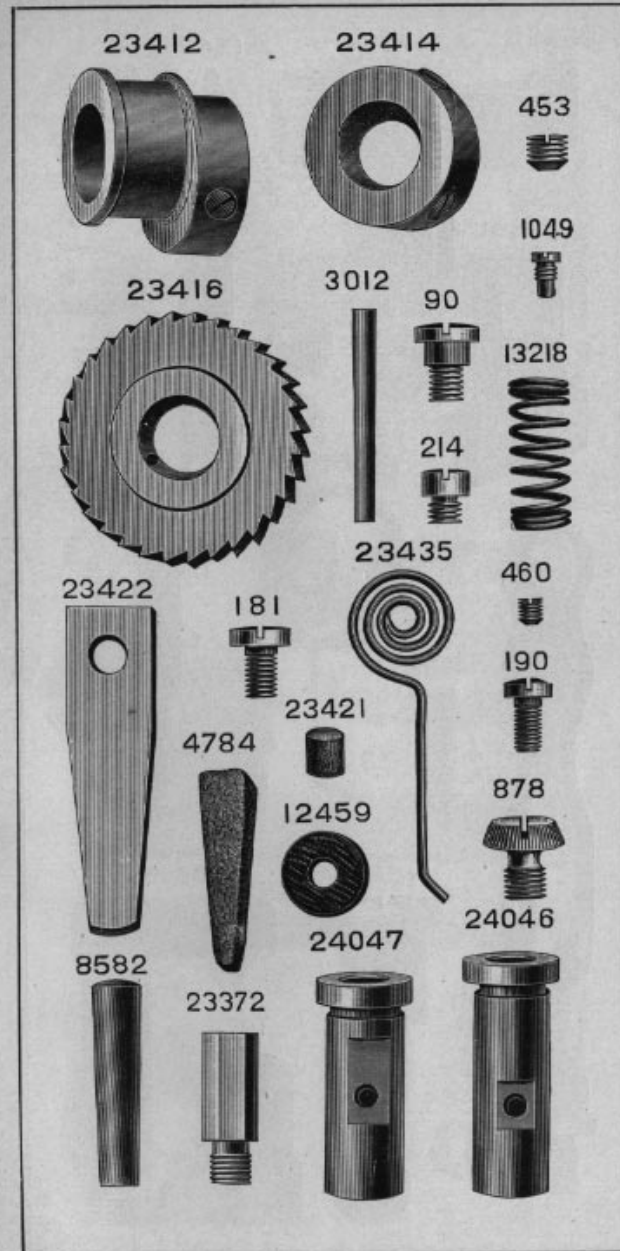


PLATE 4014—FULL SIZE

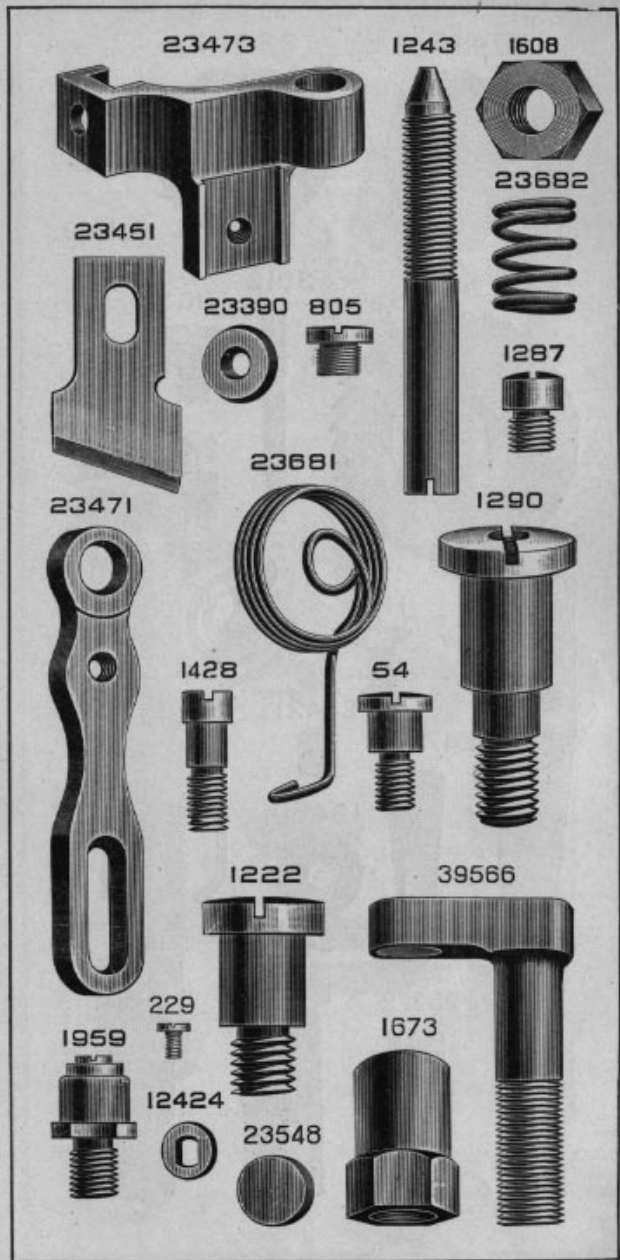


PLATE 4015—FULL SIZE

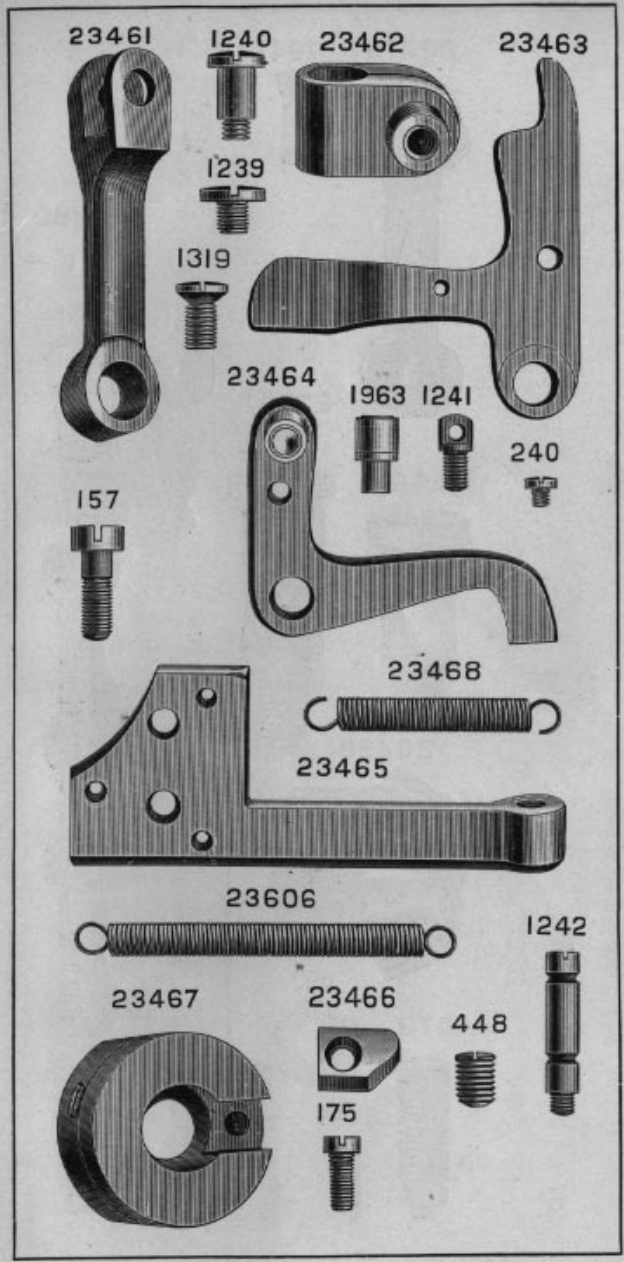


PLATE 4016—FULL SIZE

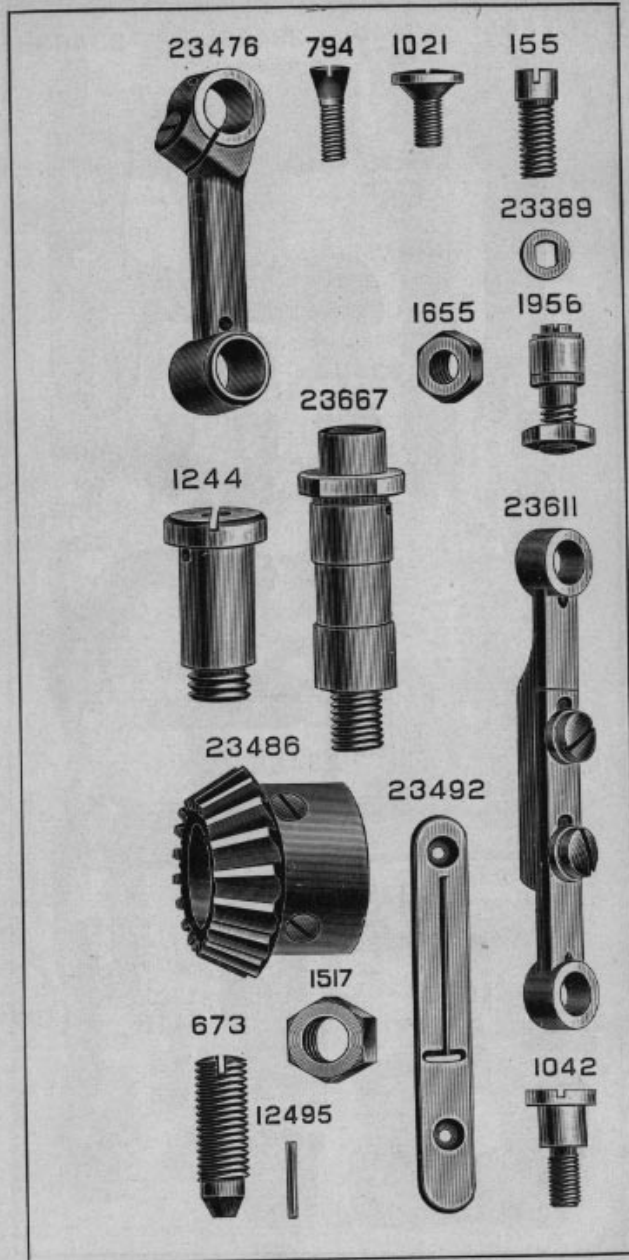


PLATE 4017—FULL SIZE

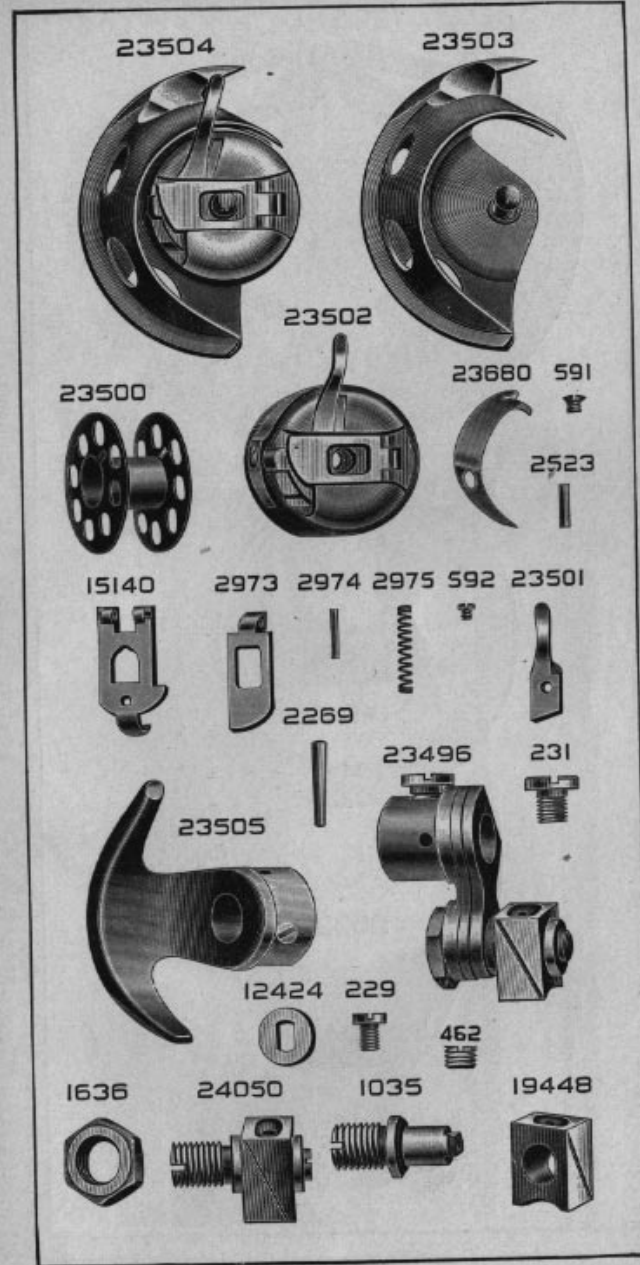


PLATE 4018—FULL SIZE

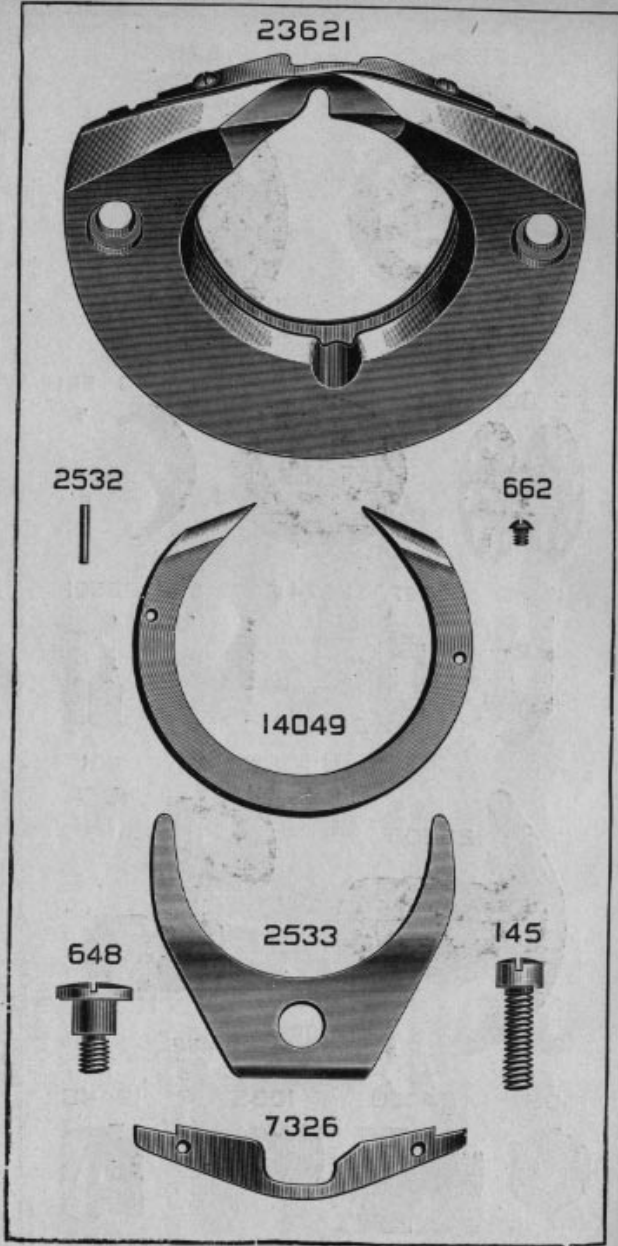


PLATE 4019—ONE-HALF SIZE

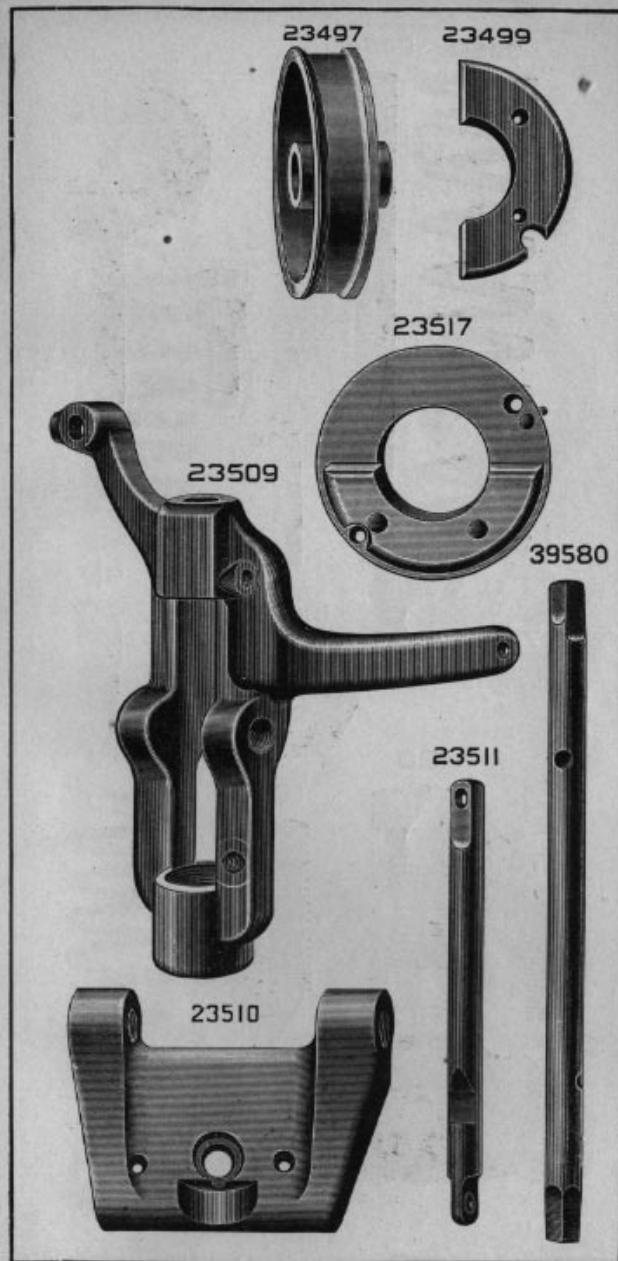


PLATE 4020 - FULL SIZE

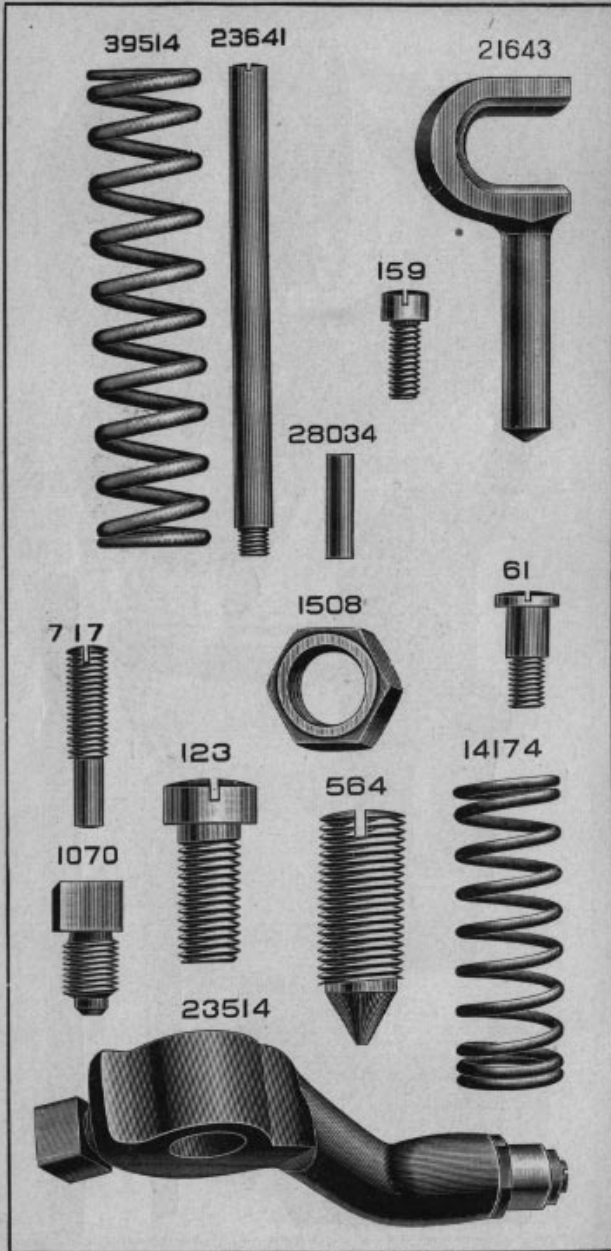


PLATE 4021 - FULL SIZE

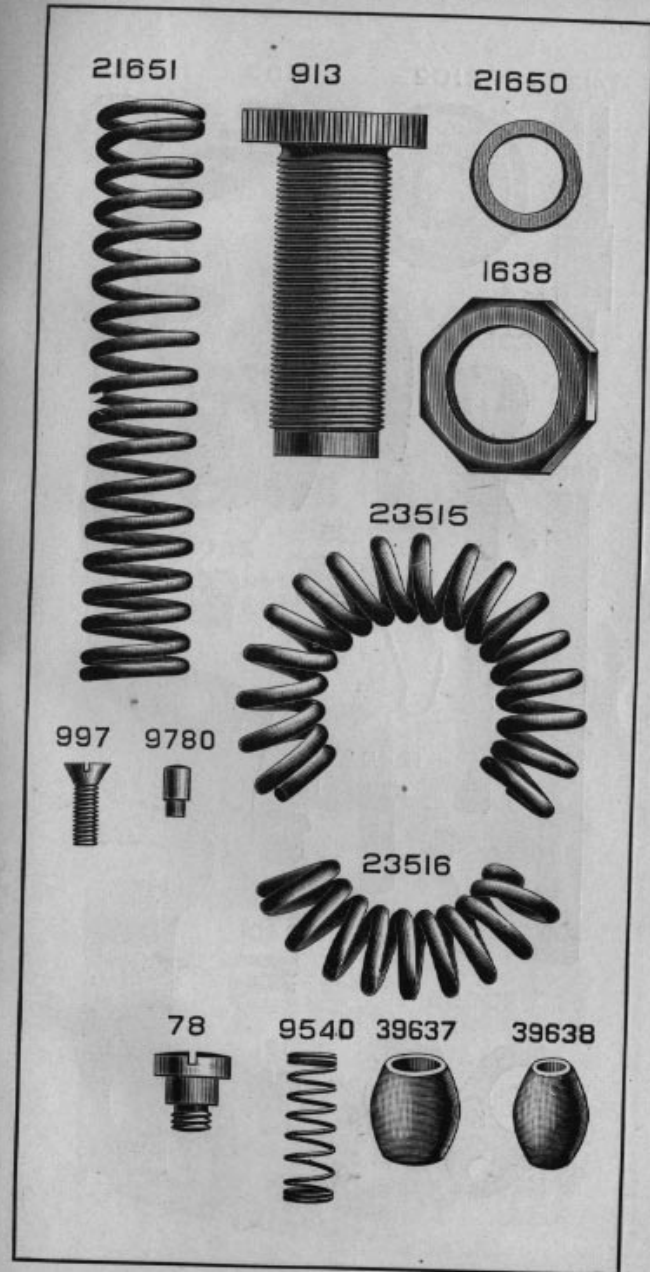


PLATE 4022—FULL SIZE

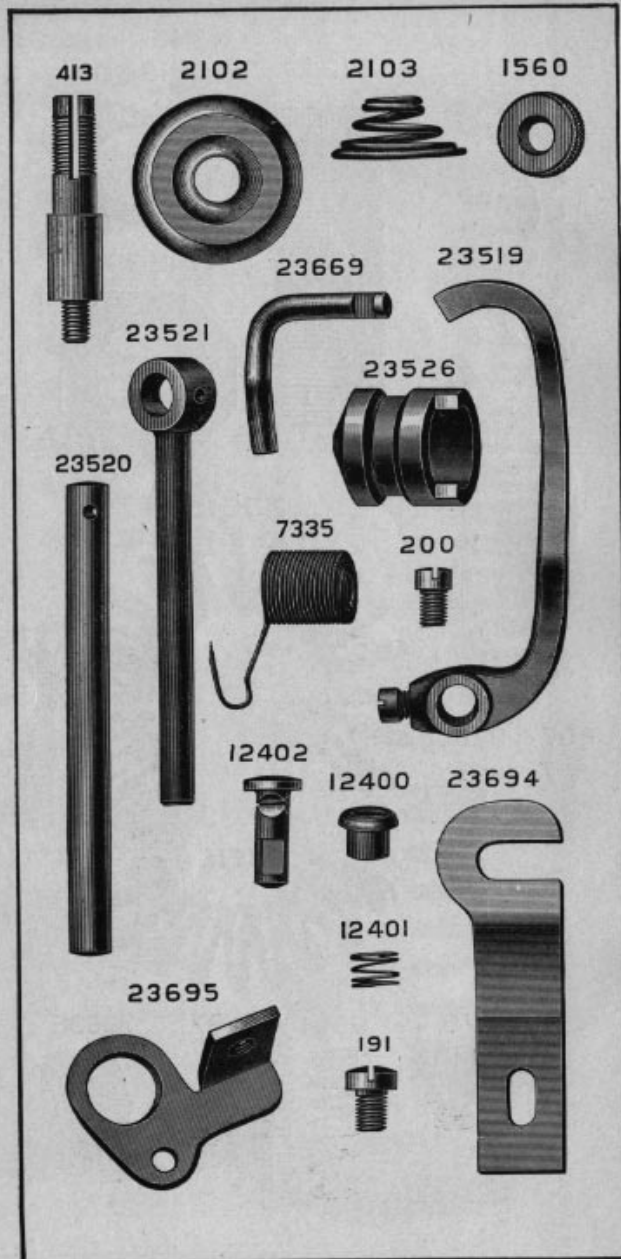


PLATE 4023—FULL SIZE

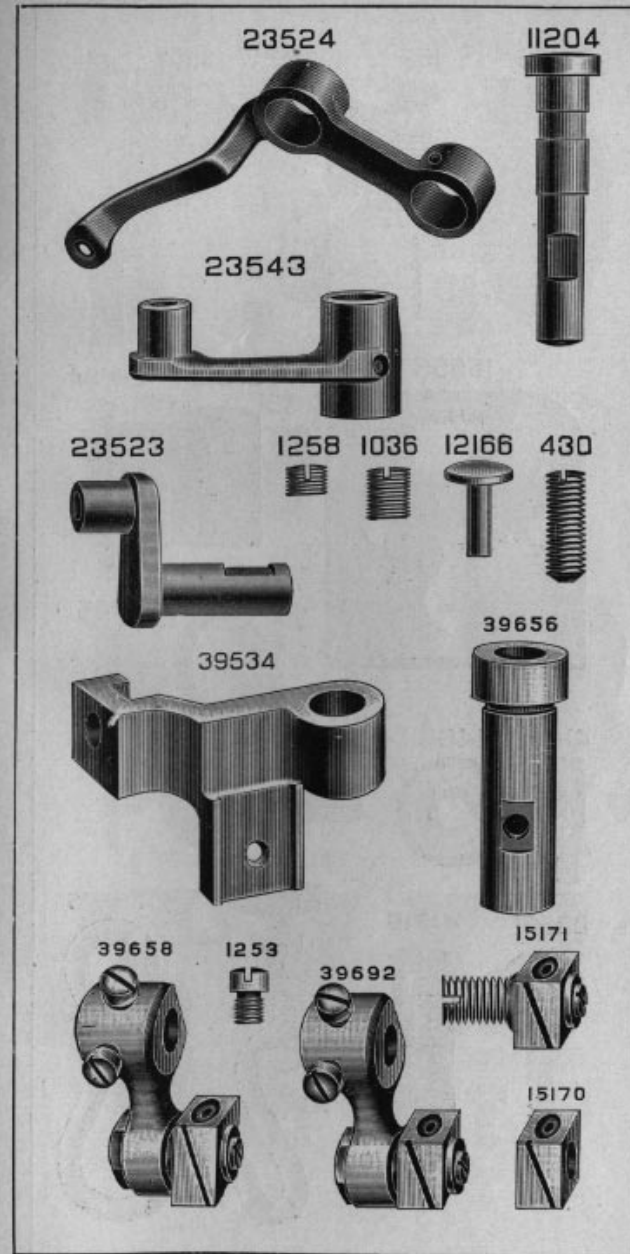


PLATE 4024—FULL SIZE

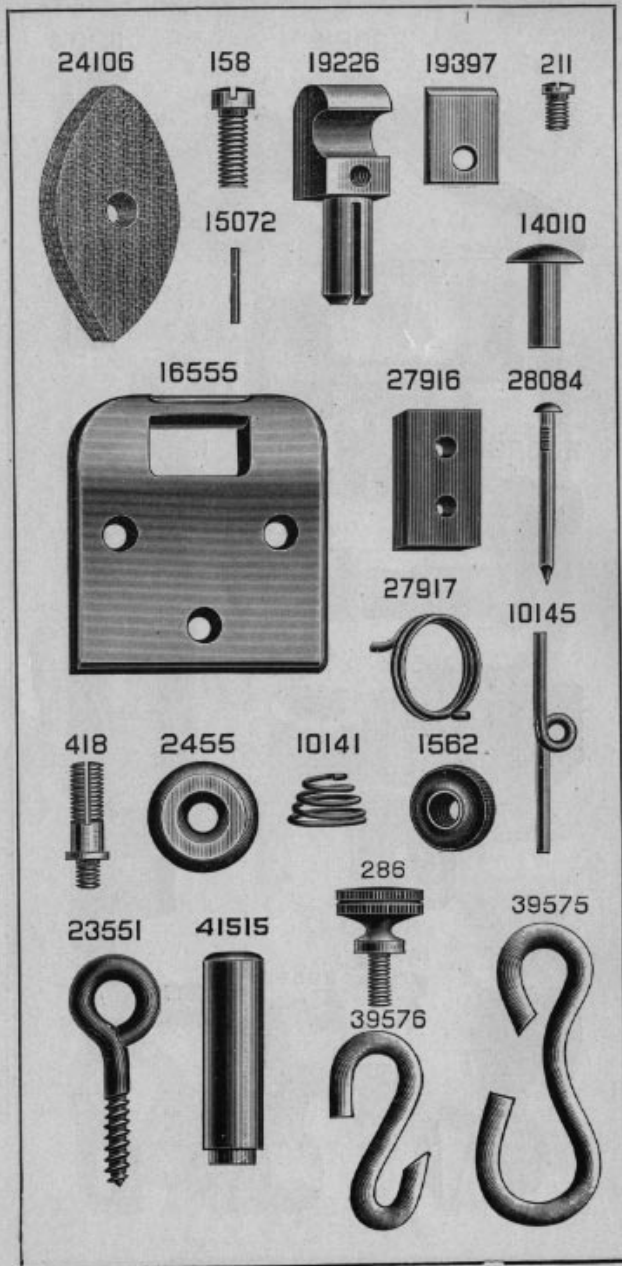


PLATE 4025—FULL SIZE

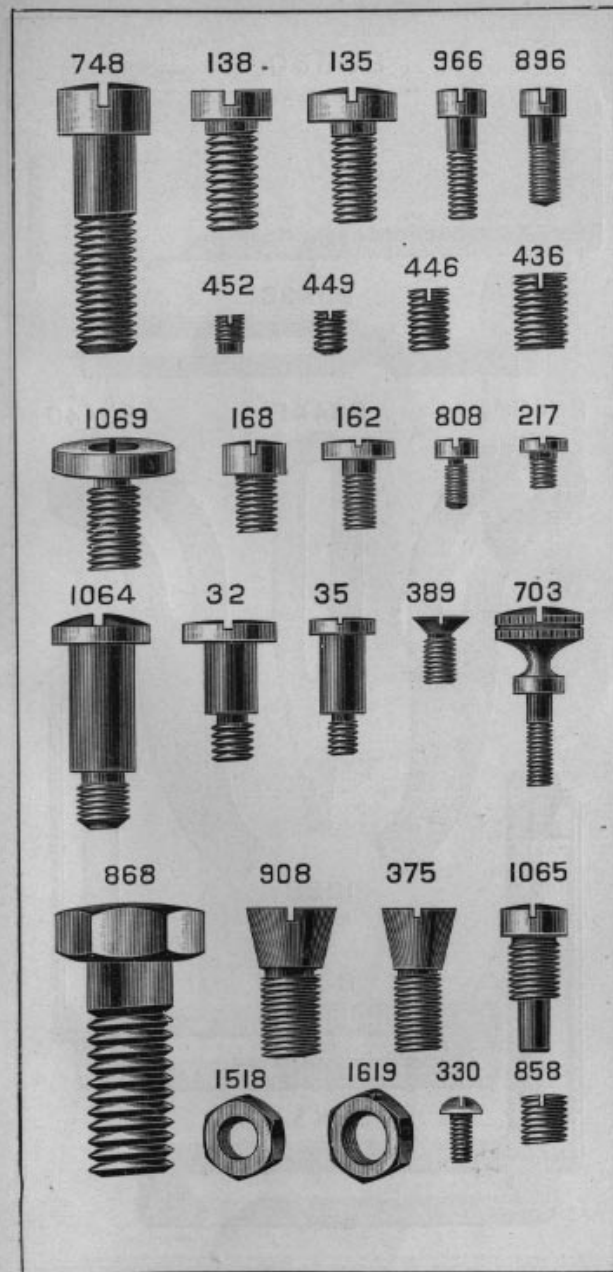
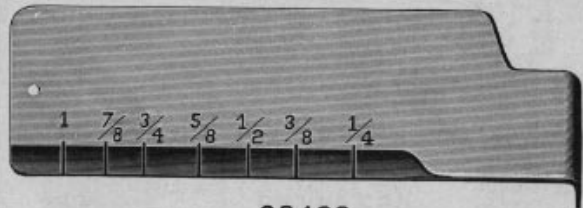


PLATE 4026—FULL SIZE

23530



23436



23439



23441



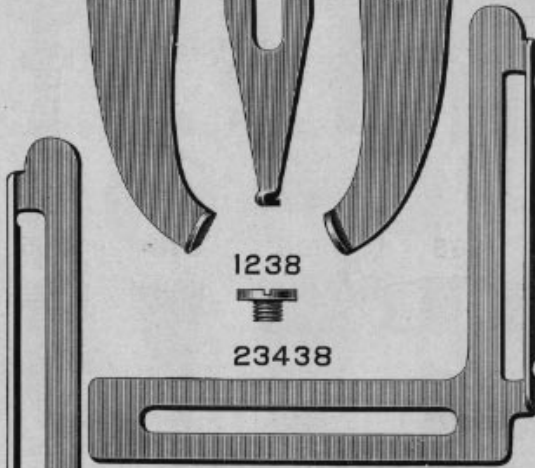
23440



1238



23438



23437

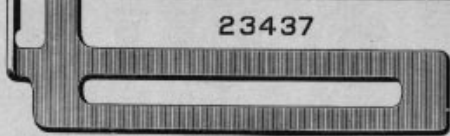
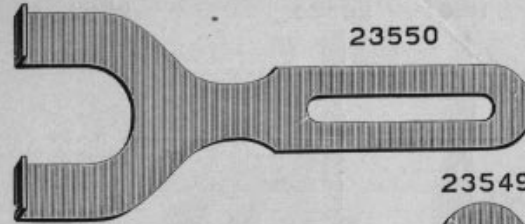


PLATE 4027—FULL SIZE

23550



23549

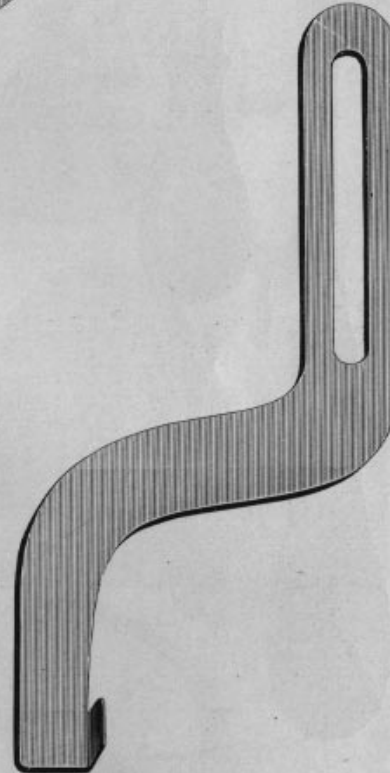


PLATE 4028—ONE-HALF SIZE

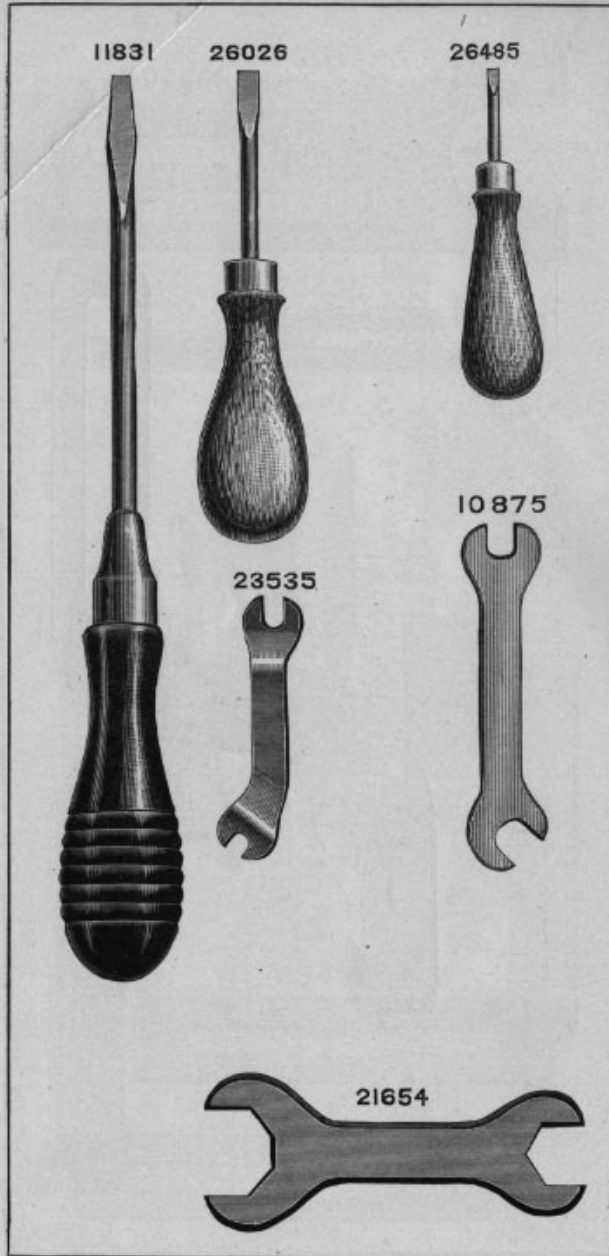


PLATE 4029—ONE-HALF SIZE

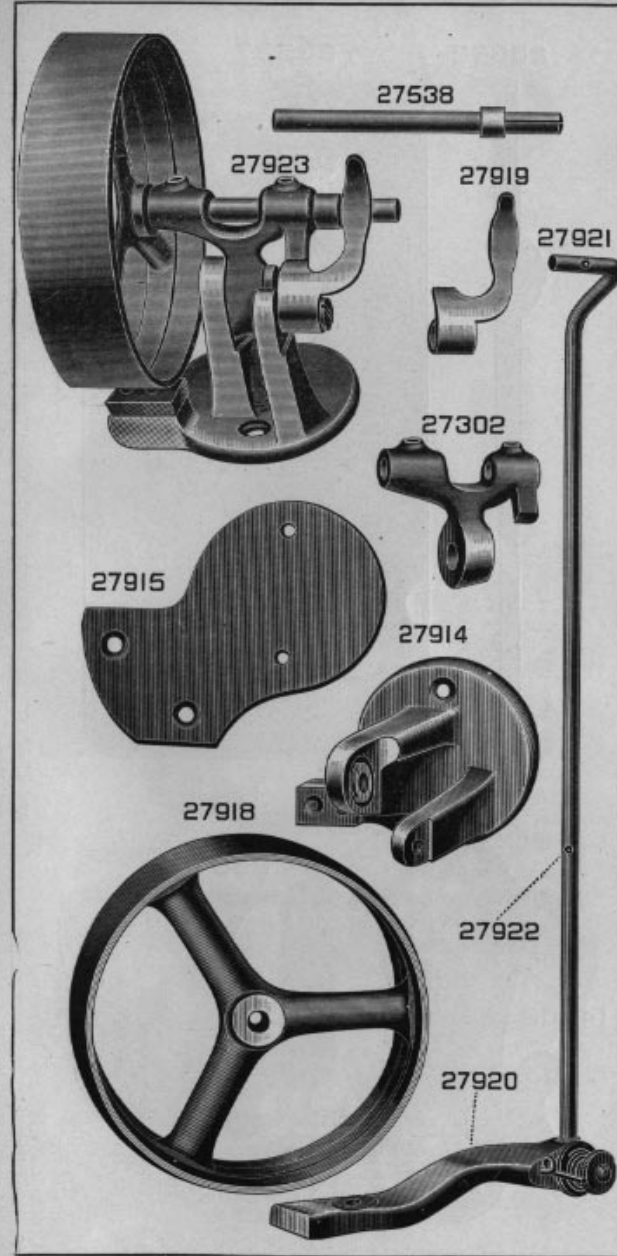


PLATE 4030—ONE-FOURTH SIZE

23352



23527



14211



14209

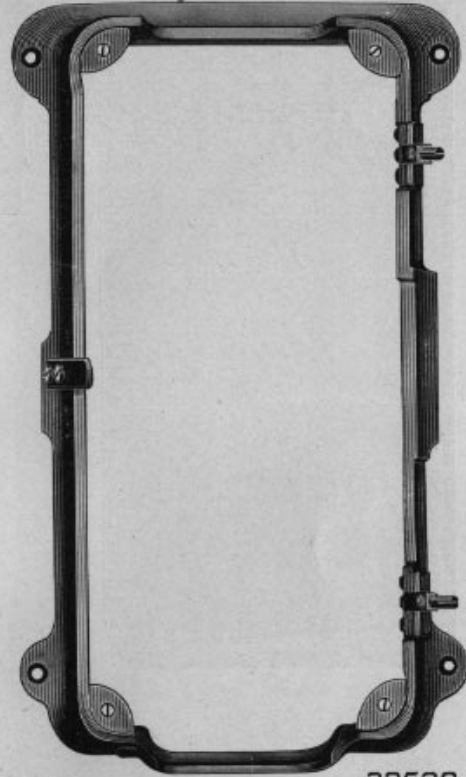
23373



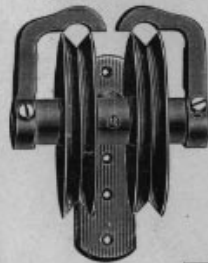
14210

PLATE 4031—ONE-FOURTH SIZE

23529



23540



23537



23538



23536

23539



PLATE 4032—ONE-FOURTH SIZE

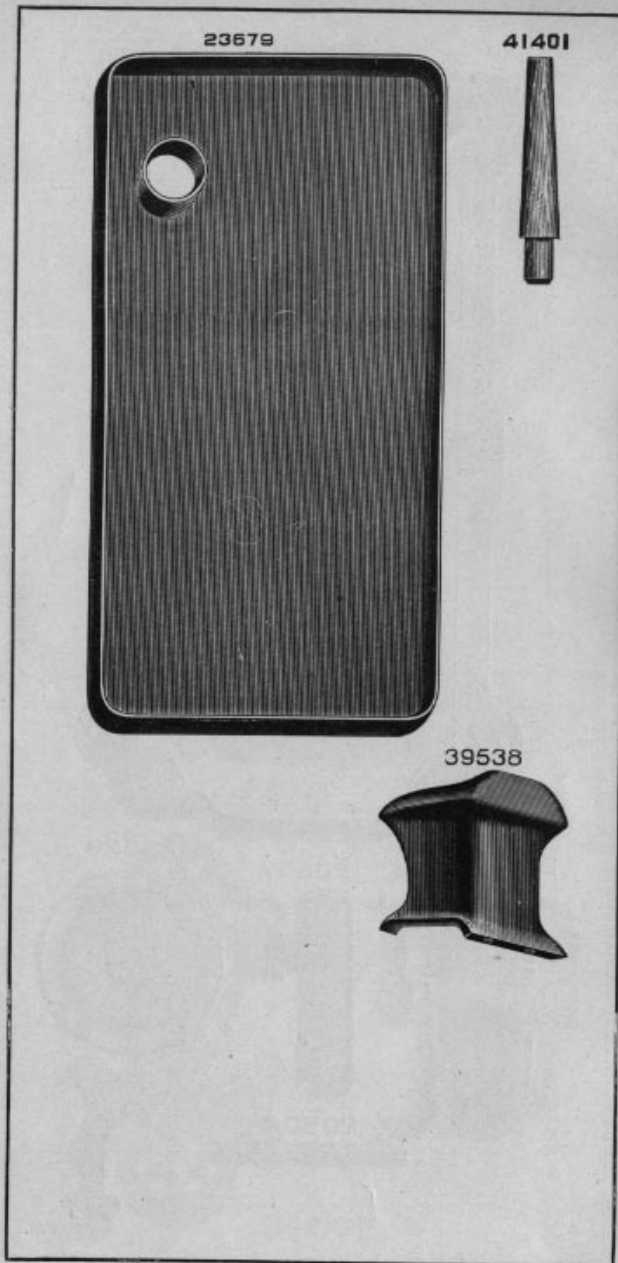


PLATE 4033—ONE-HALF SIZE

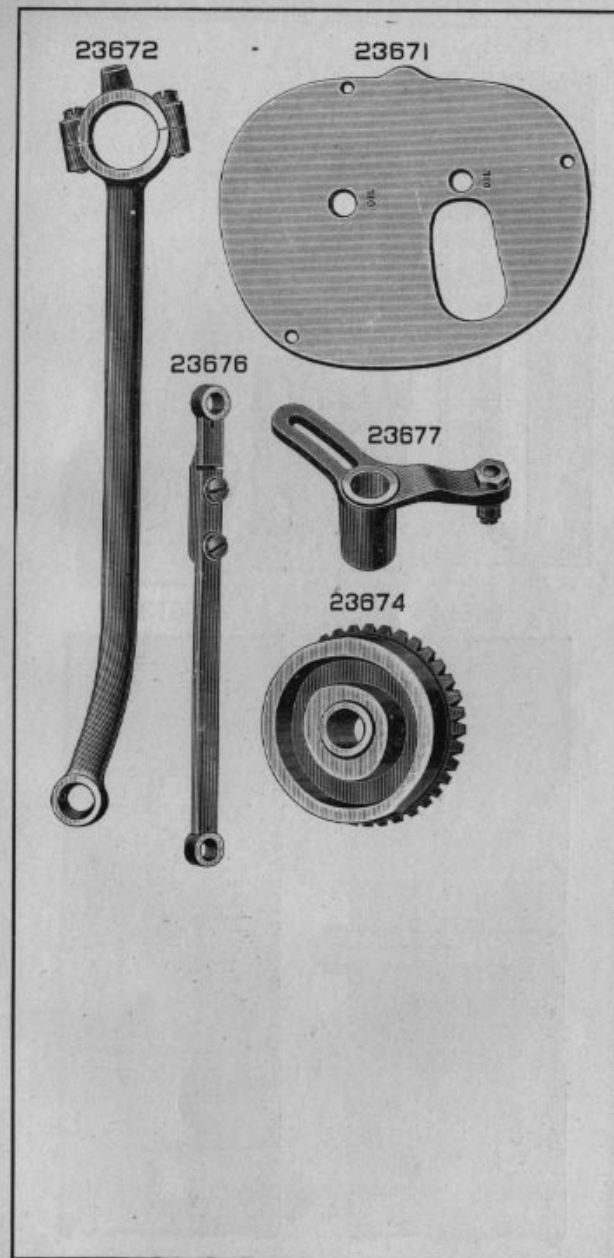
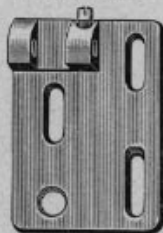


PLATE 4034—ONE-HALF SIZE

39531



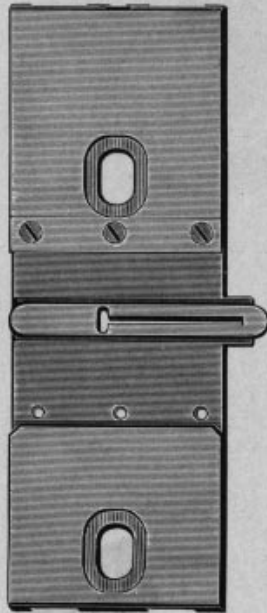
39584



39582



39614



39613

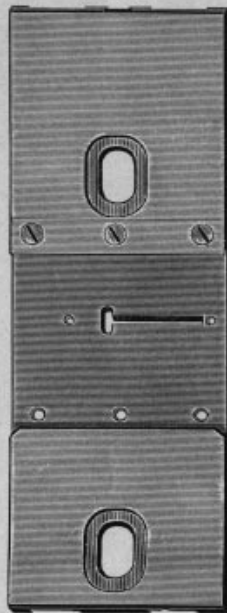
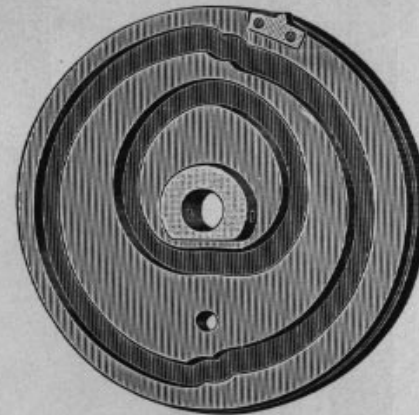


PLATE 4035—ONE-HALF SIZE

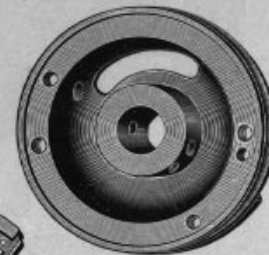
23632



23698



40024



40010



PLATE 4039—ONE-HALF SIZE

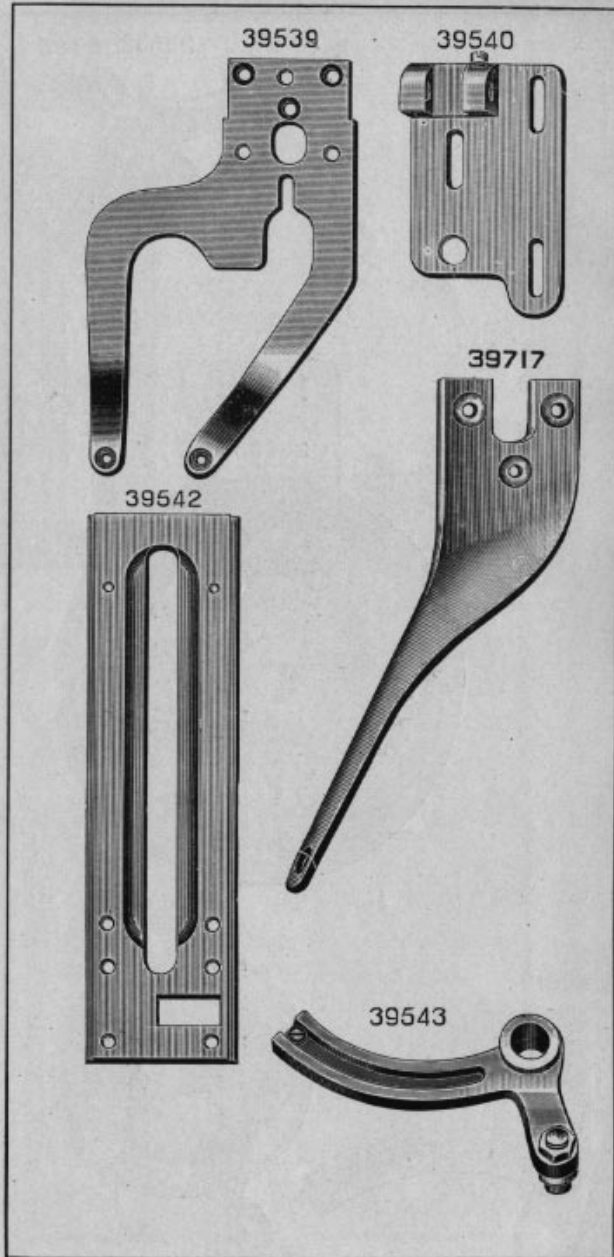


PLATE 4040—FULL SIZE

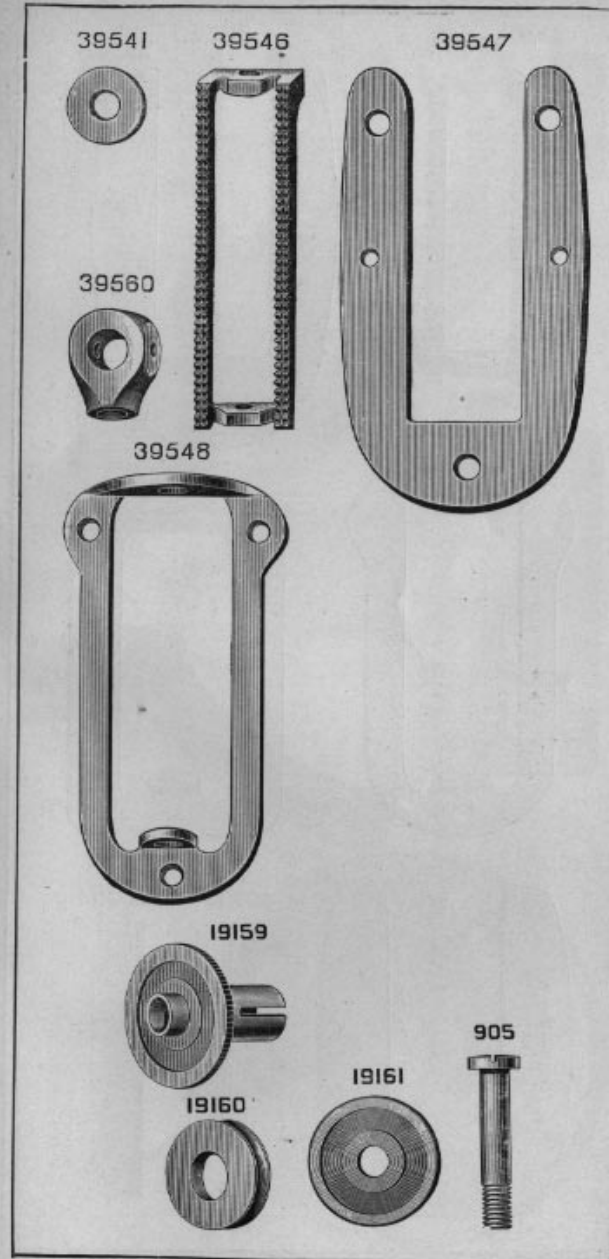


PLATE 4041—FULL SIZE

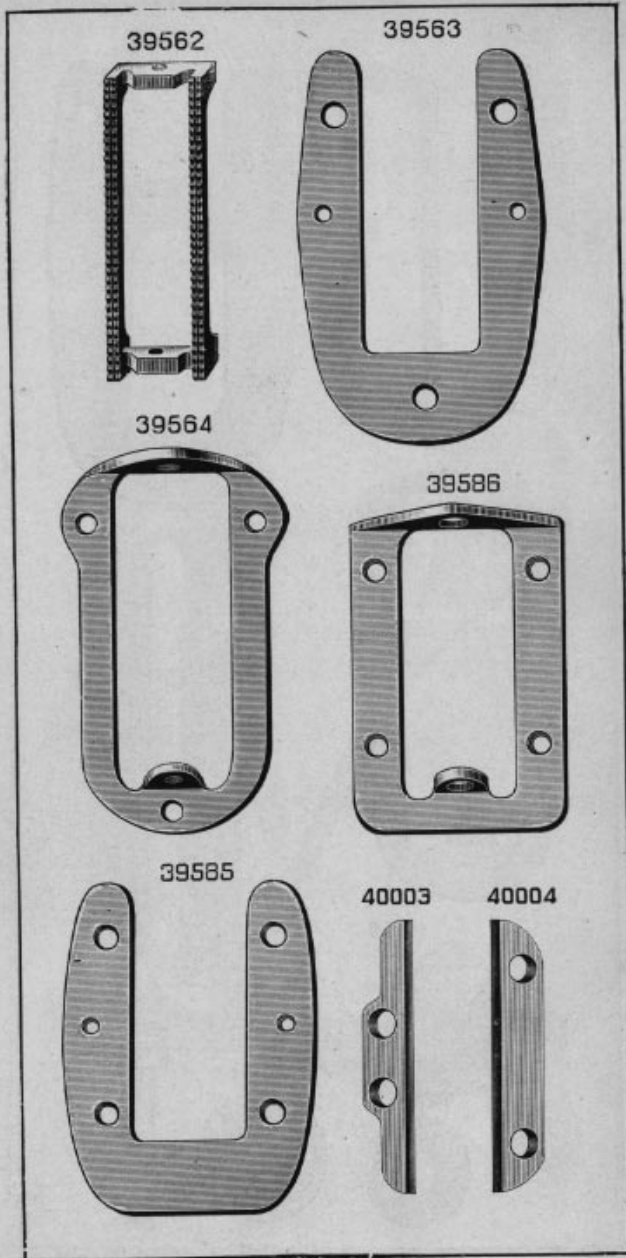


PLATE 4042—ONE-HALF SIZE

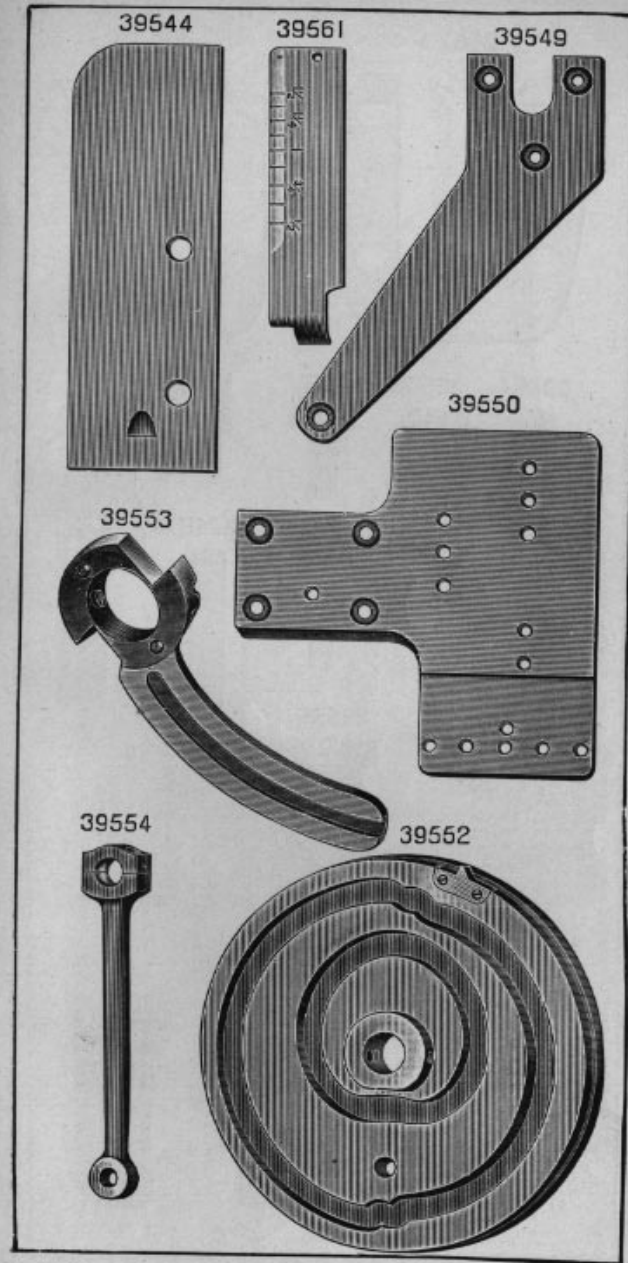


PLATE 4045—FULL SIZE

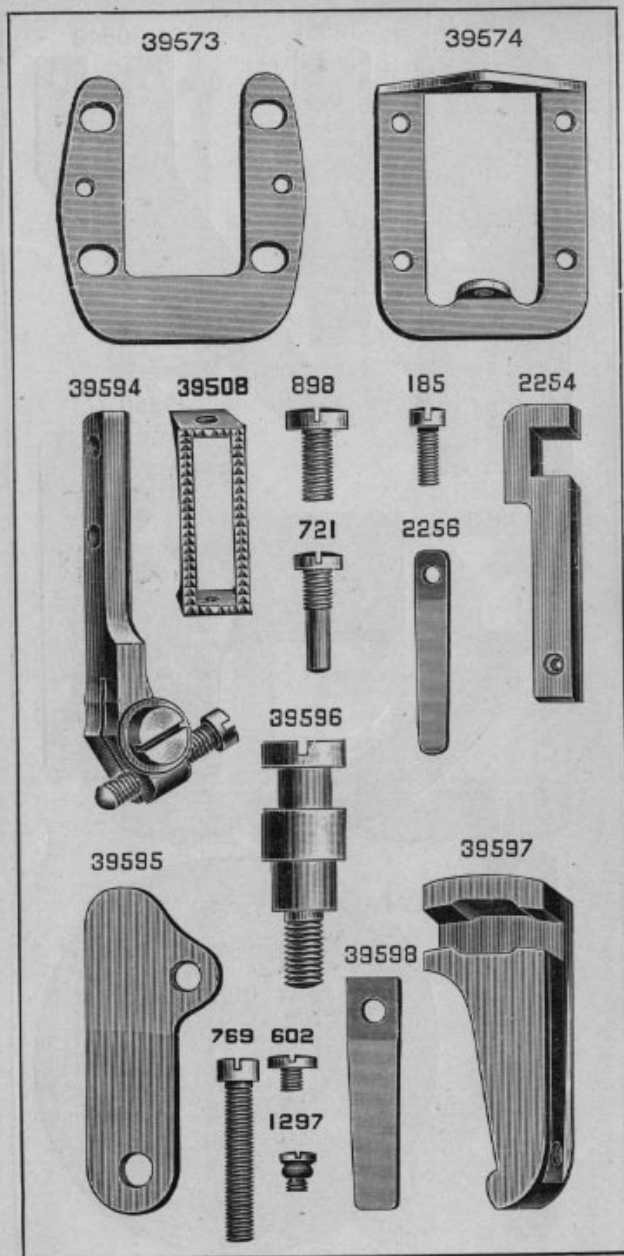


PLATE 4046—ONE-HALF SIZE

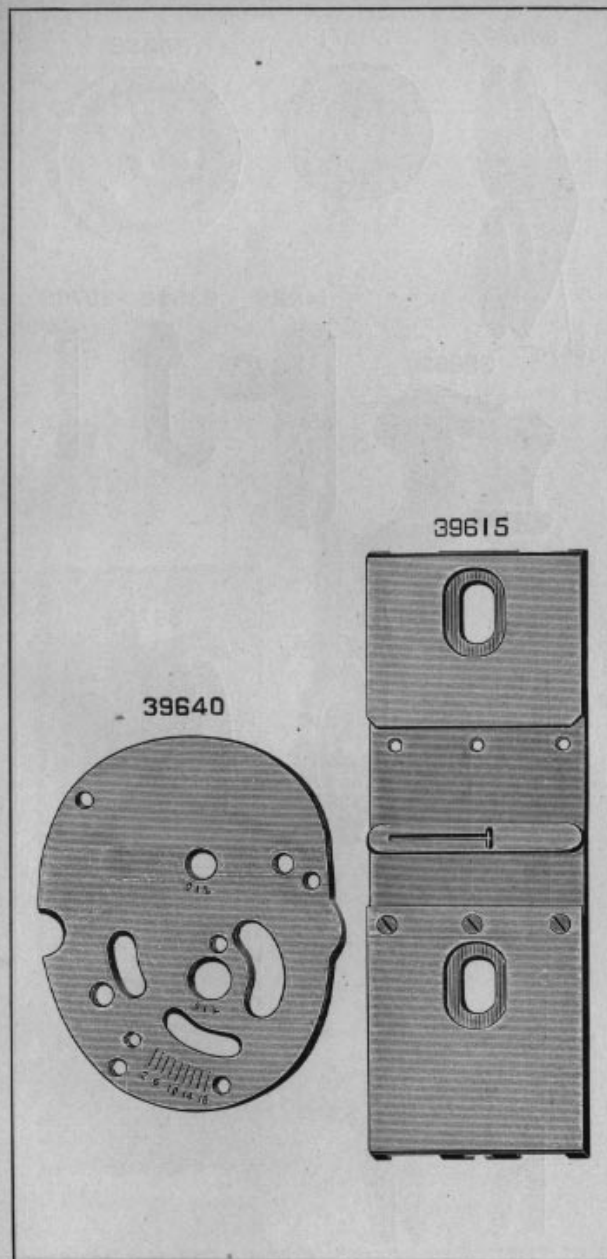


PLATE 4047—ONE-FOURTH SIZE

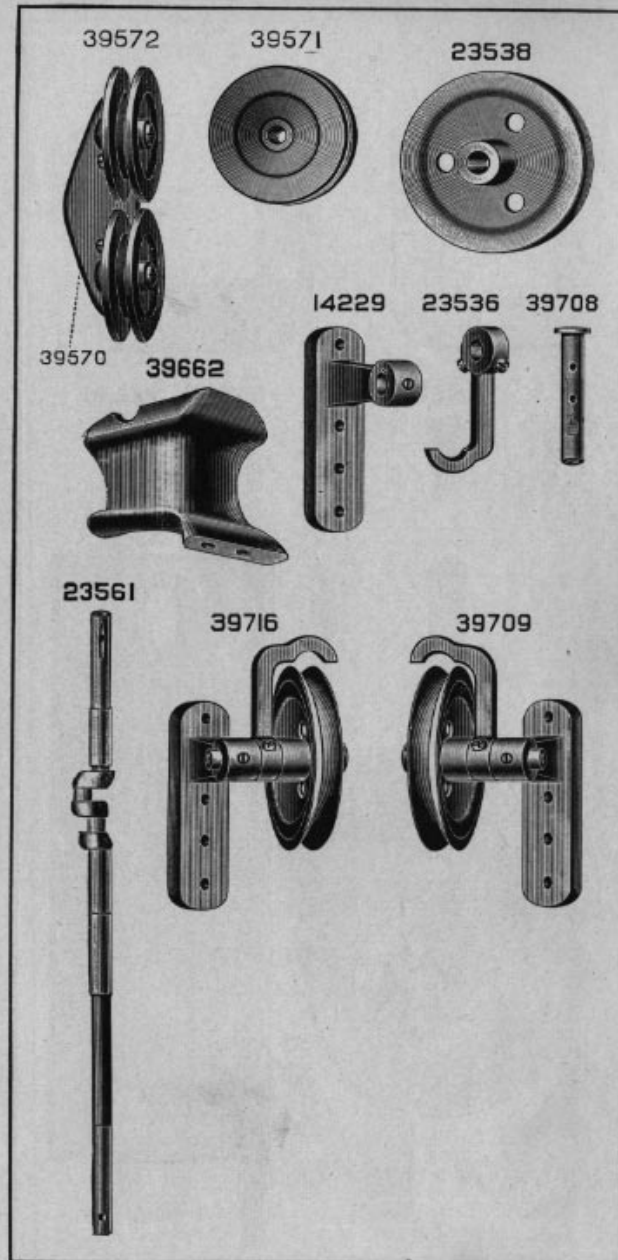


PLATE 4048—ONE-HALF SIZE

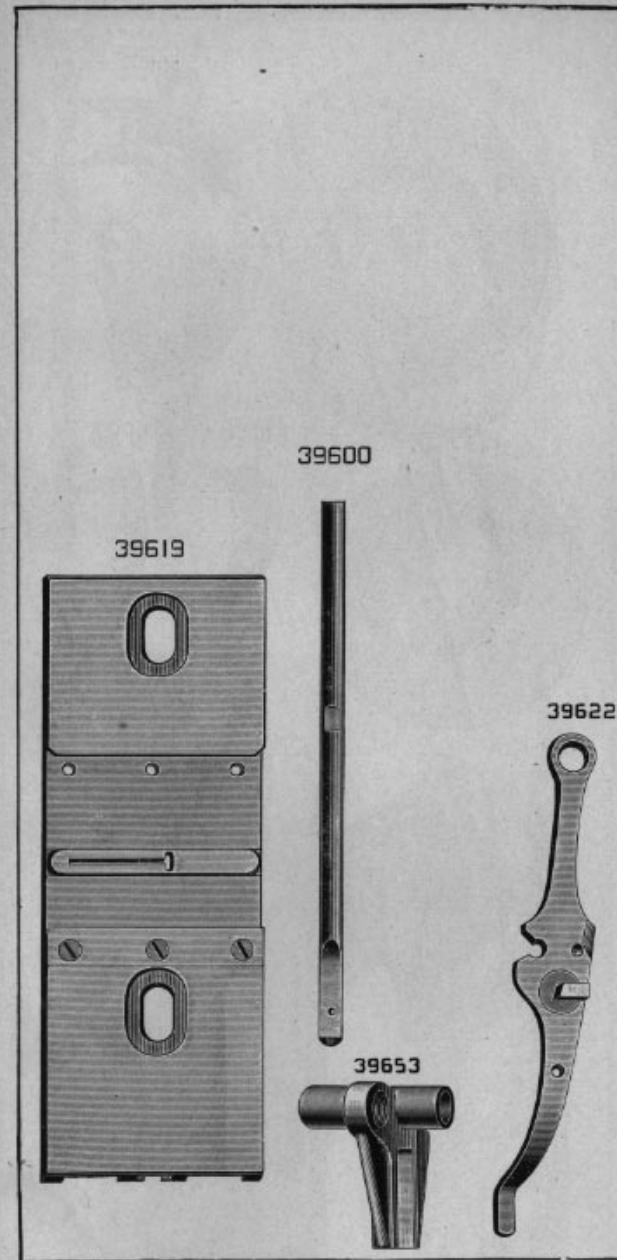


PLATE 4050—FULL SIZE

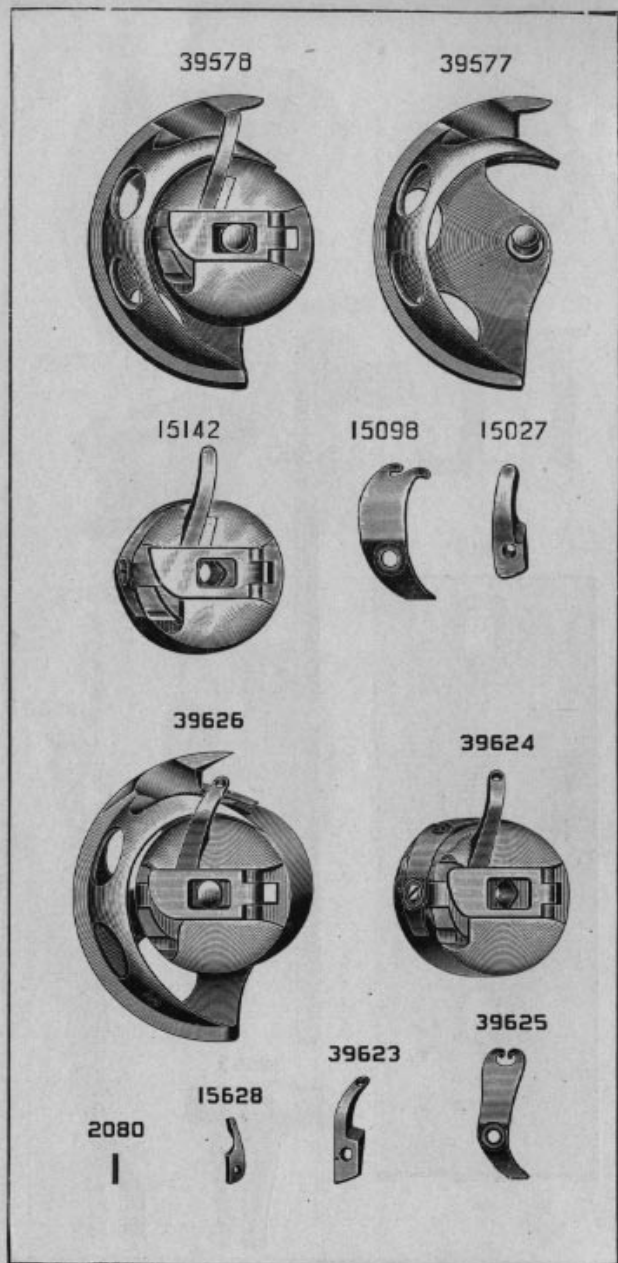


PLATE 4051—ONE-HALF SIZE

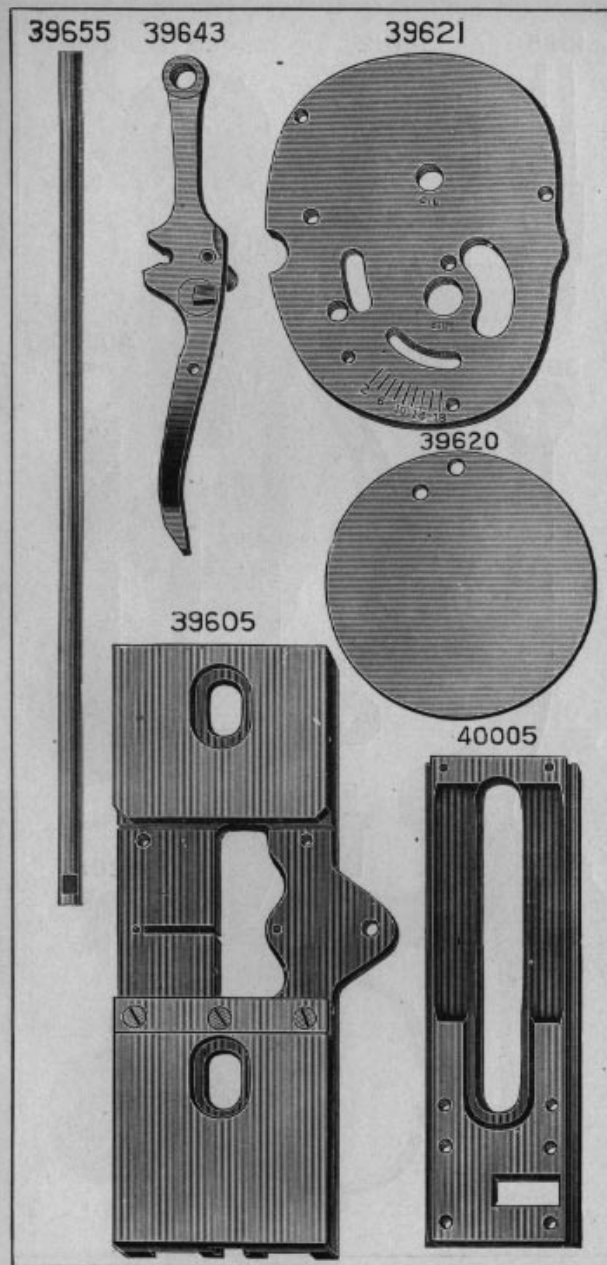


PLATE 4052—FULL SIZE

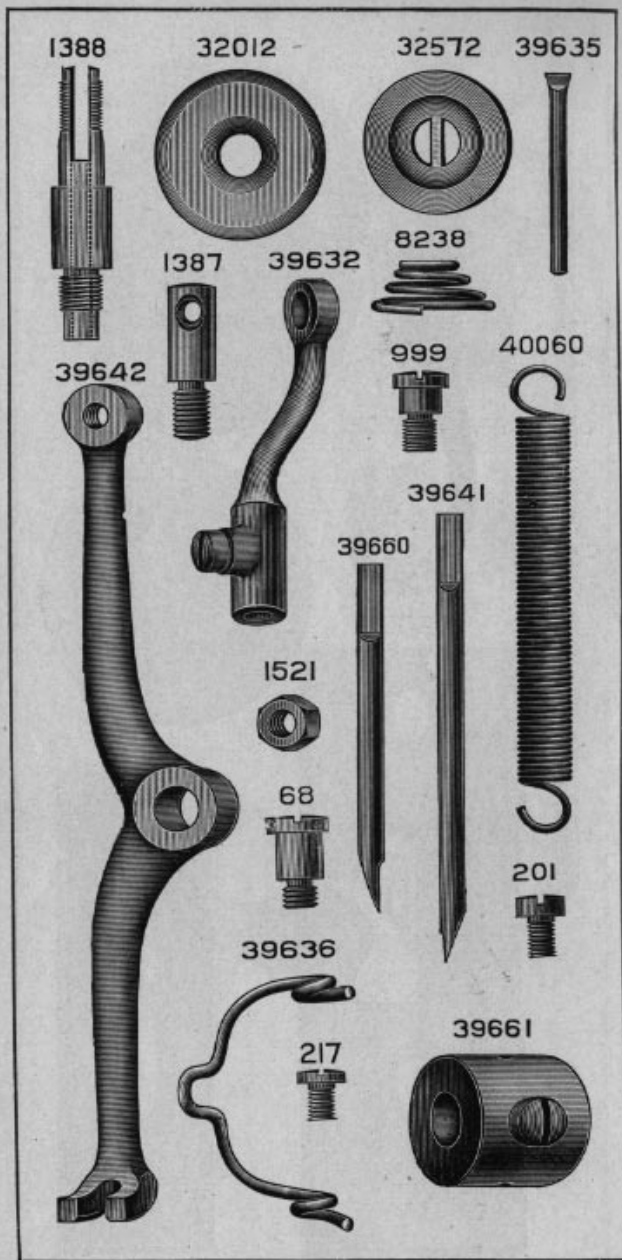


PLATE 4053—ONE-HALF SIZE

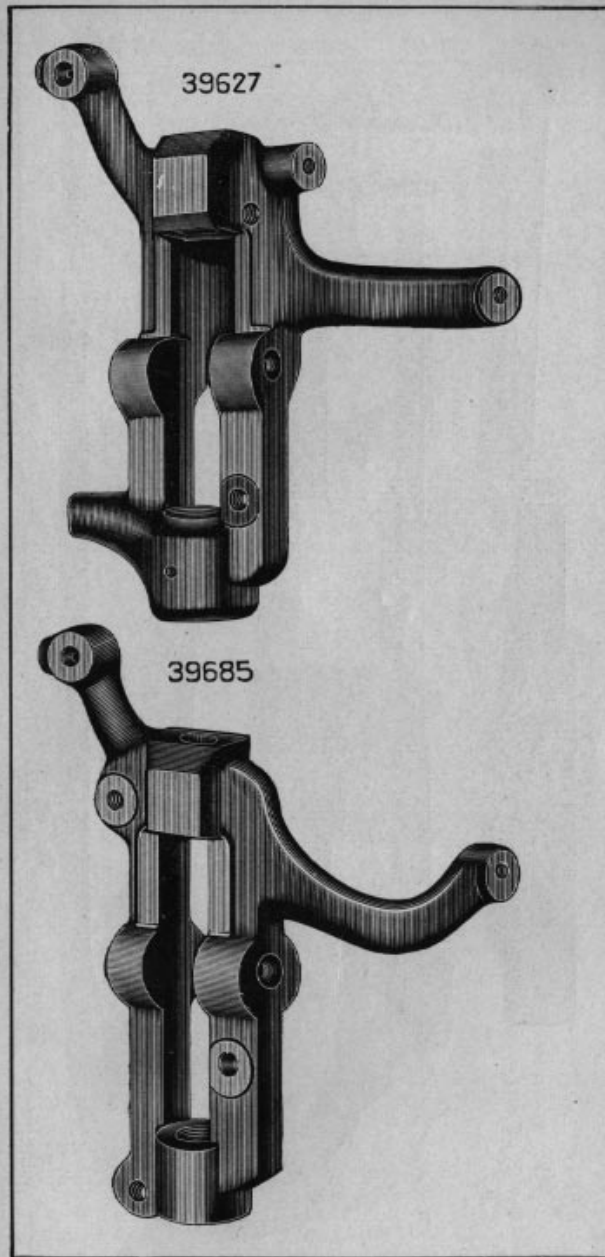


PLATE 4054—ONE-HALF SIZE

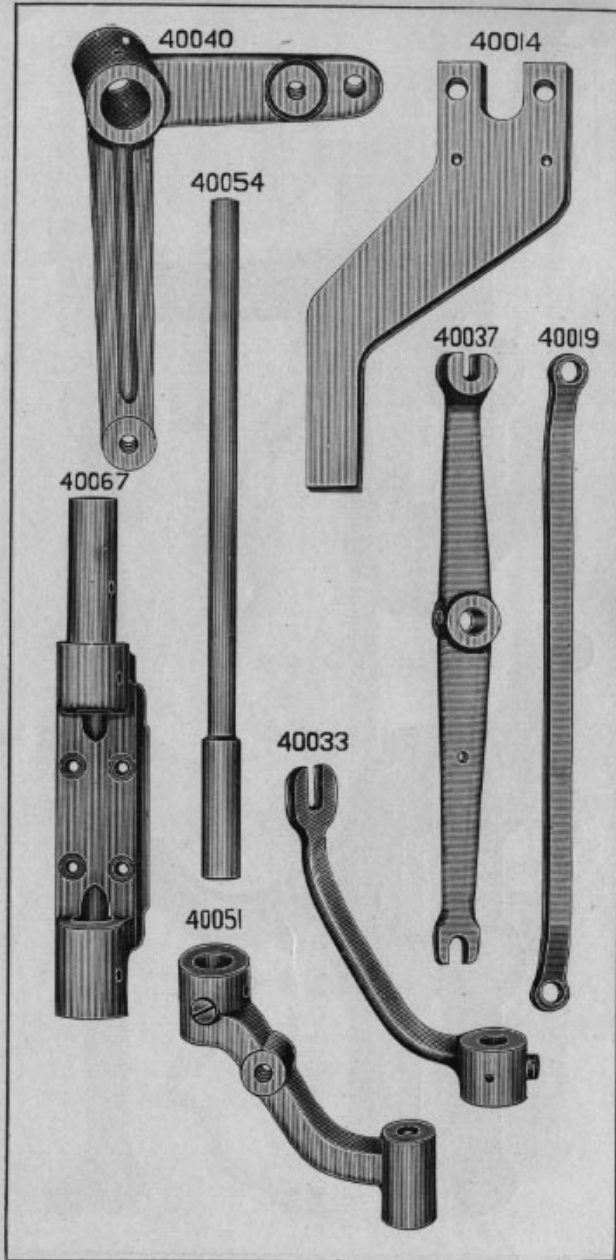


PLATE 4055—ONE-HALF SIZE

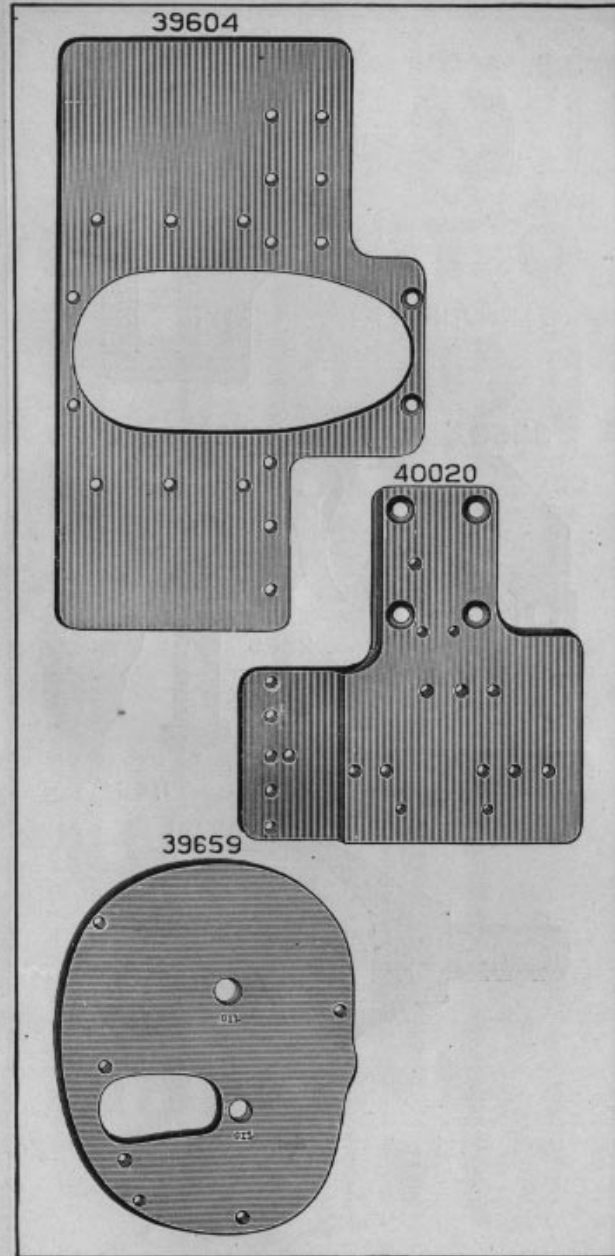


PLATE 4056.—FULL SIZE

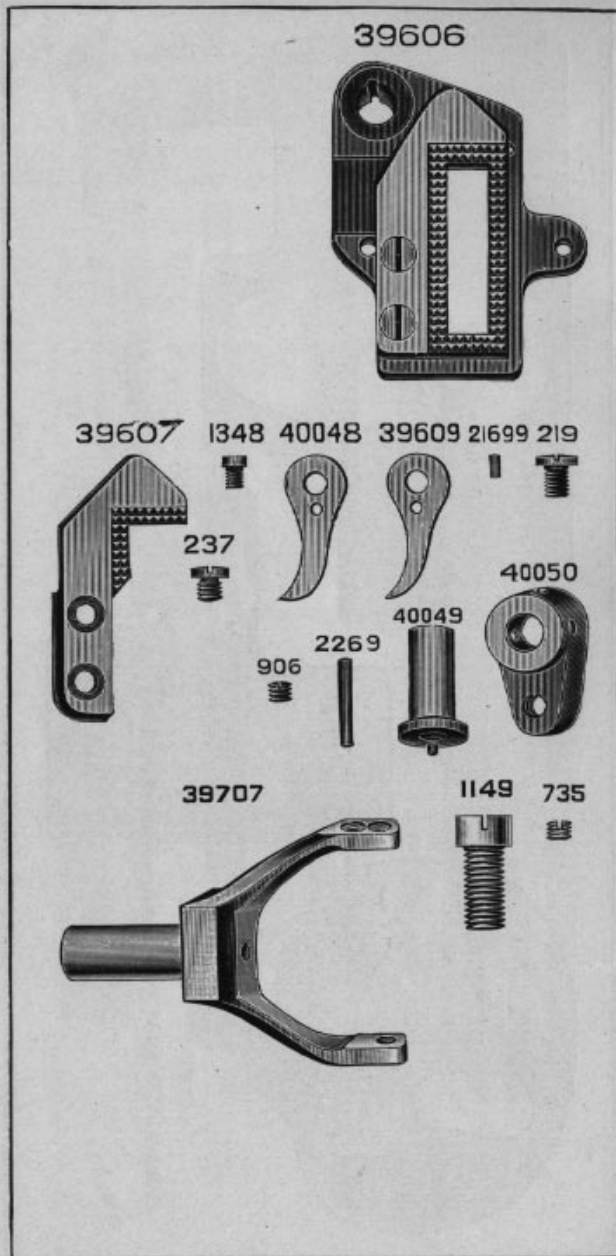


PLATE 4057.—FULL SIZE

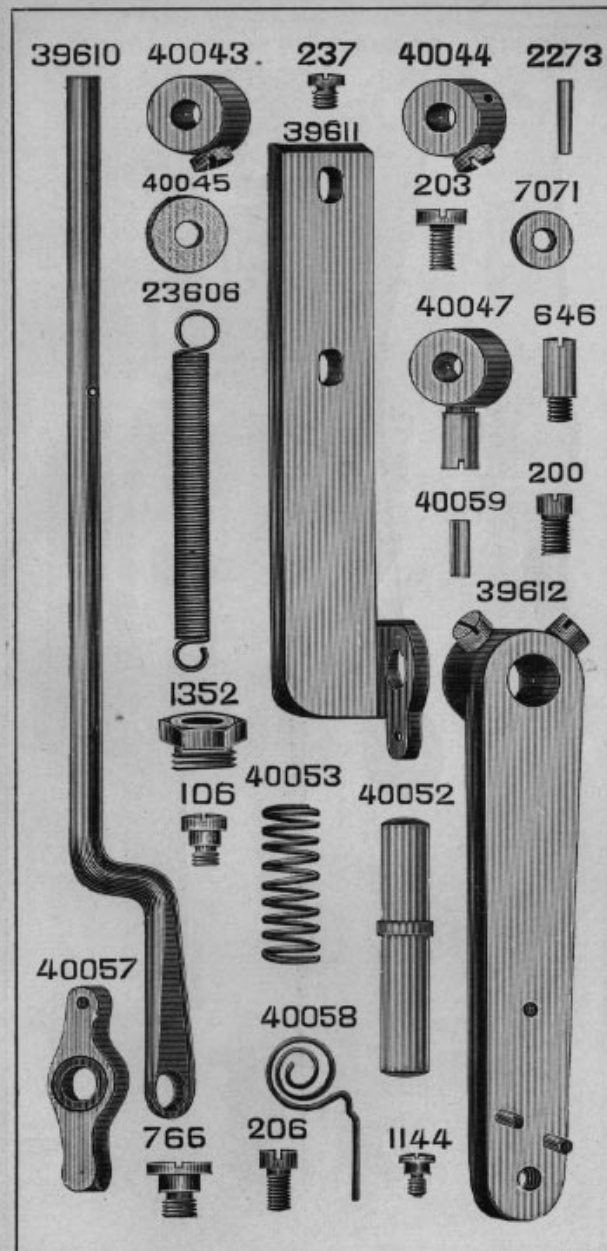


PLATE 4058—FULL SIZE

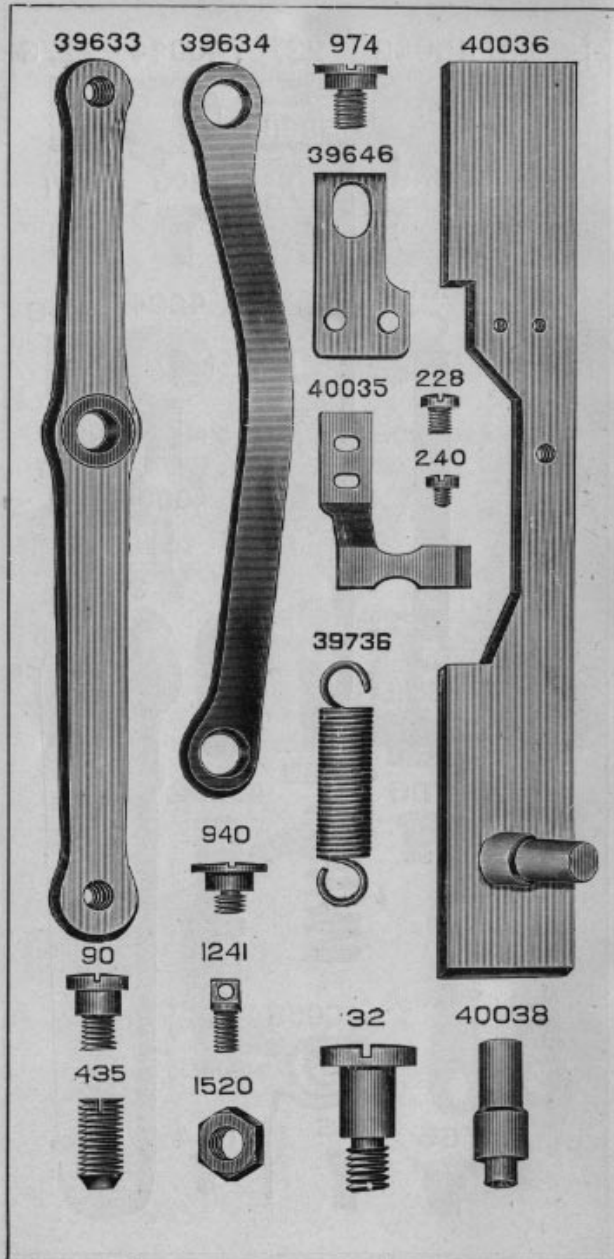


PLATE 4059—FULL SIZE

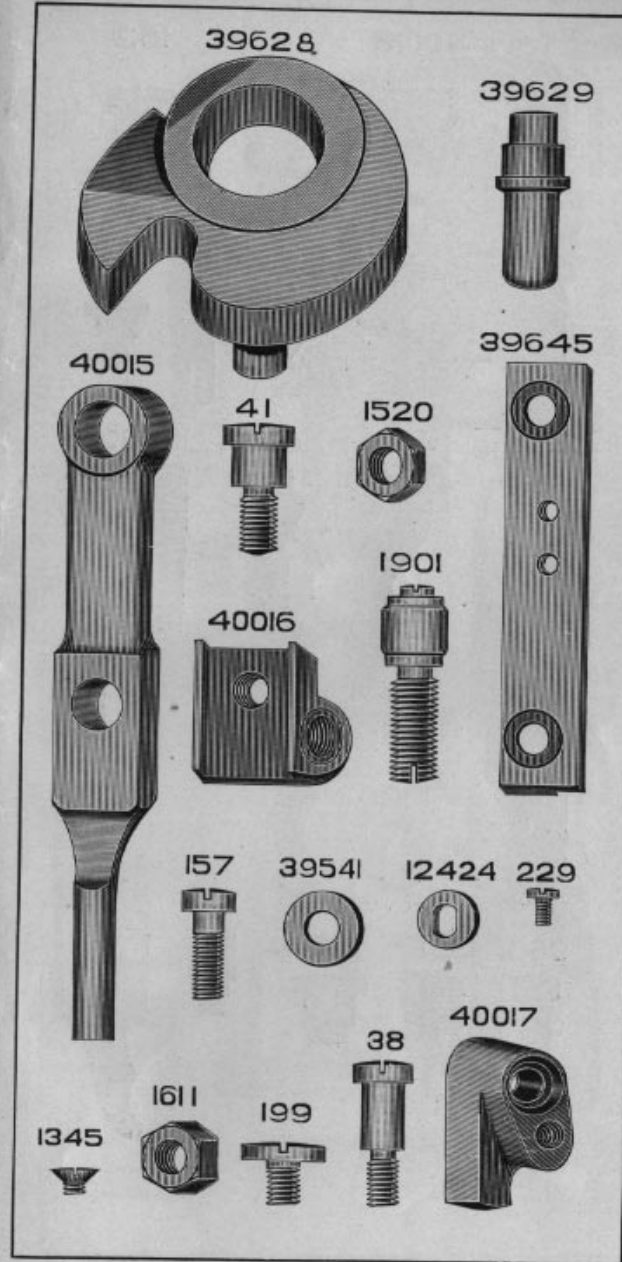


PLATE 4060—FULL SIZE

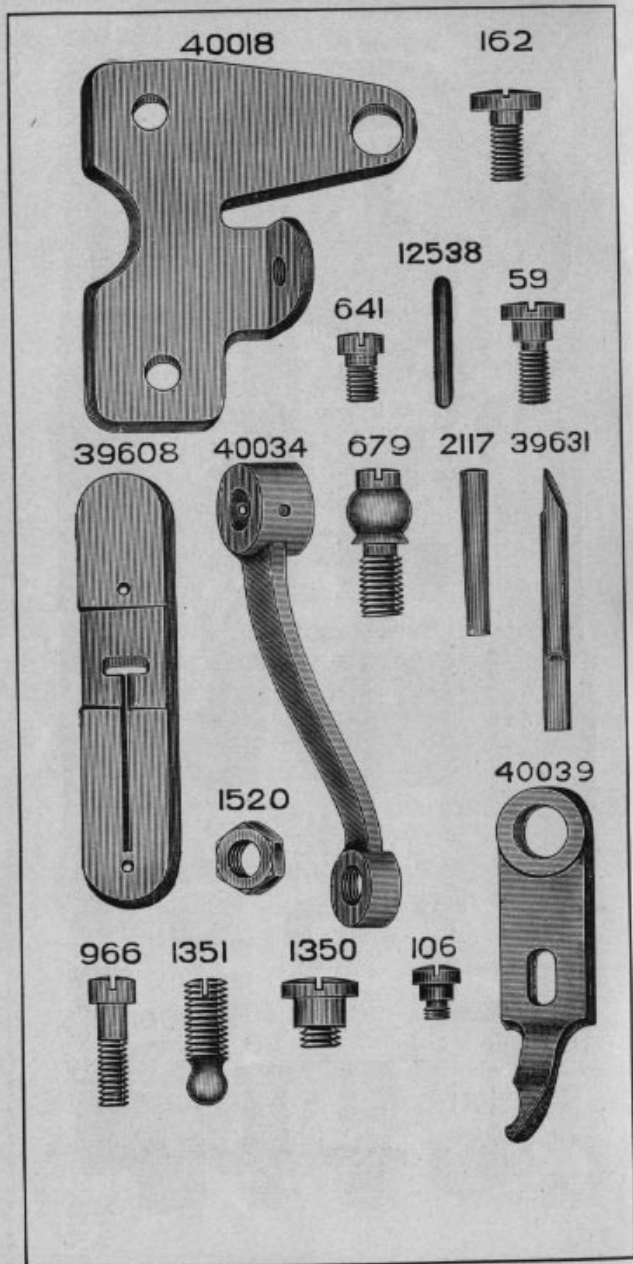


PLATE 4061—FULL SIZE

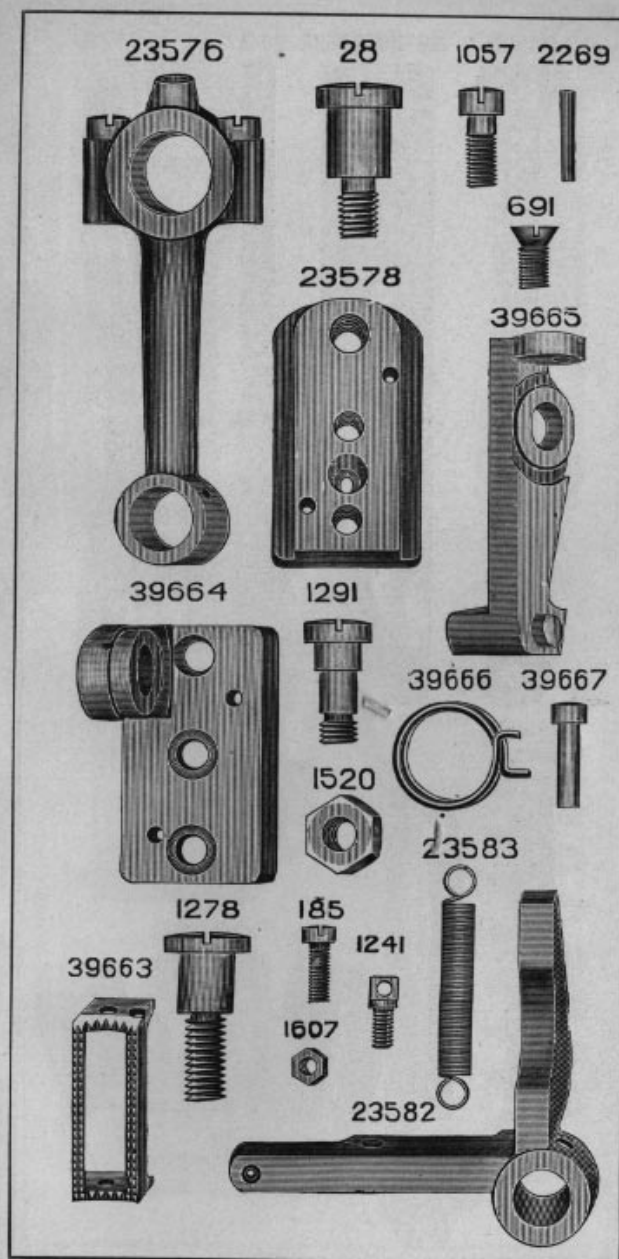


PLATE 4062—ONE-HALF SIZE

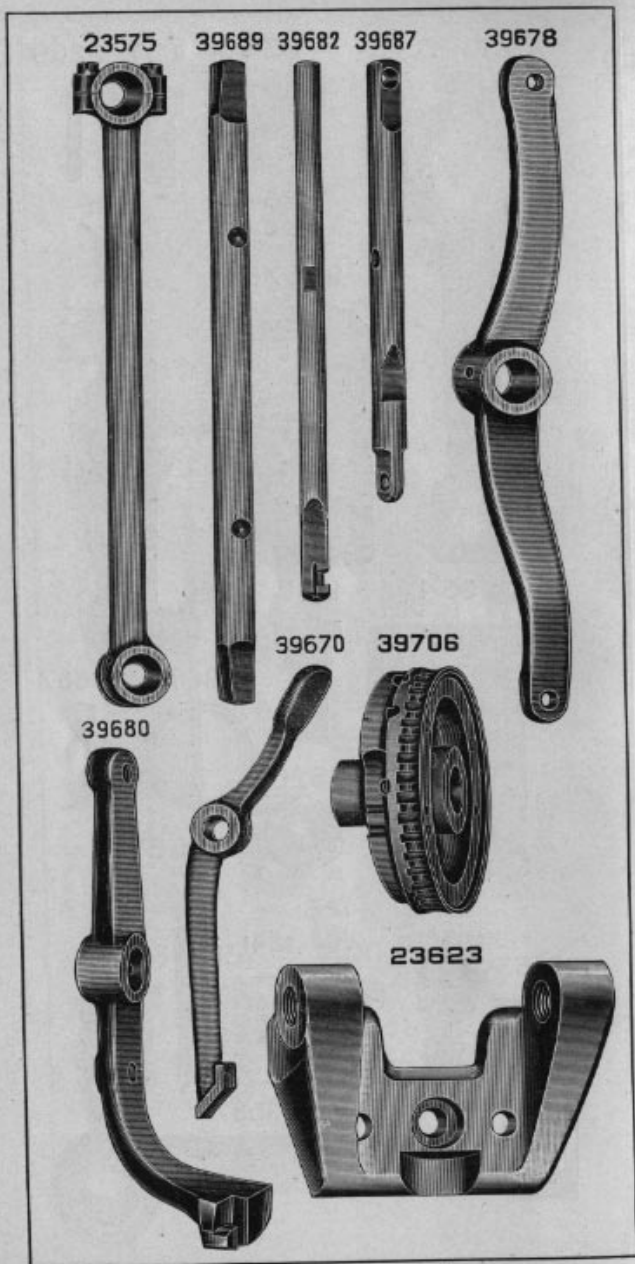


PLATE 4063—FULL SIZE

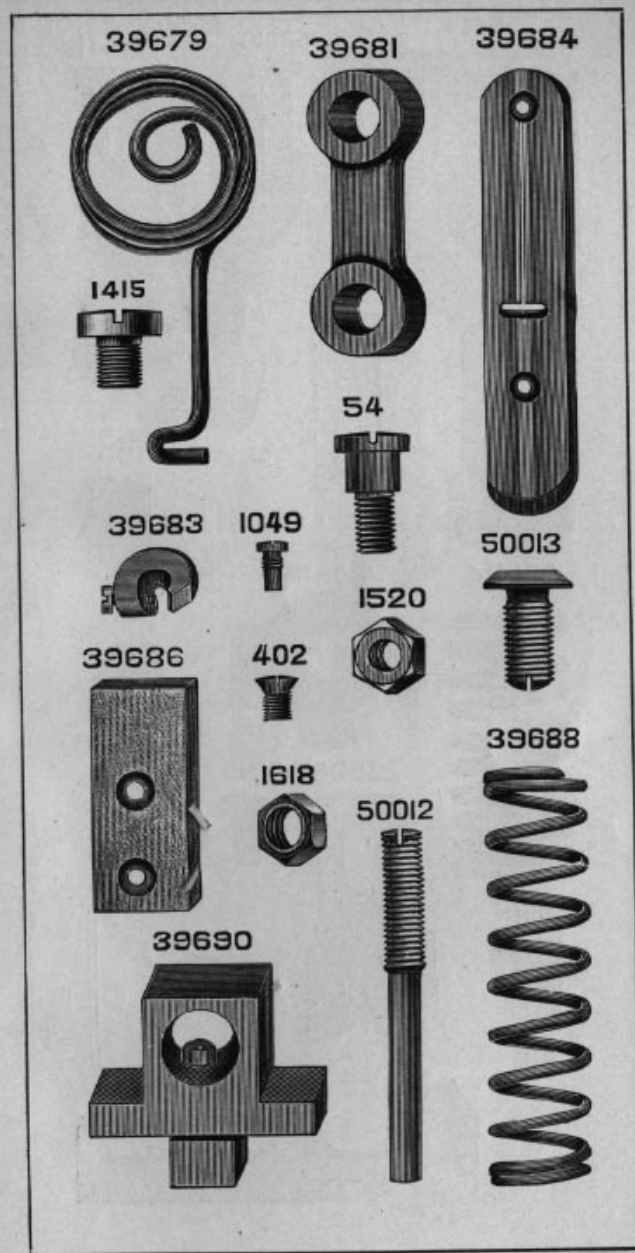


PLATE 4064—FULL SIZE

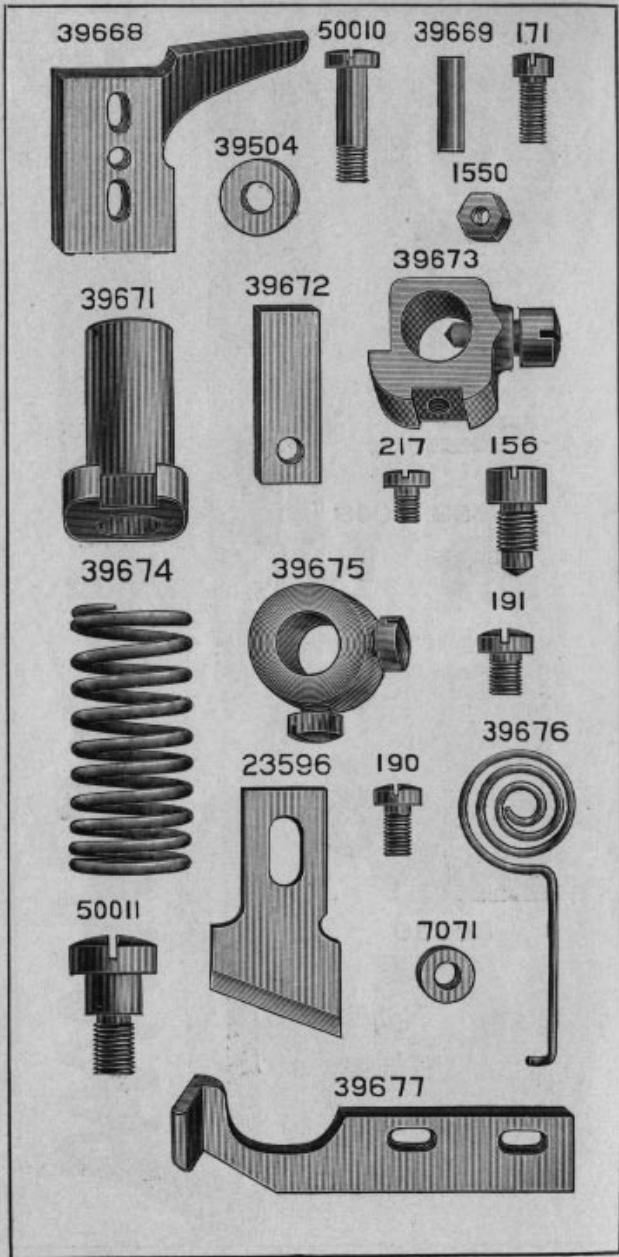


PLATE 4065—FULL SIZE

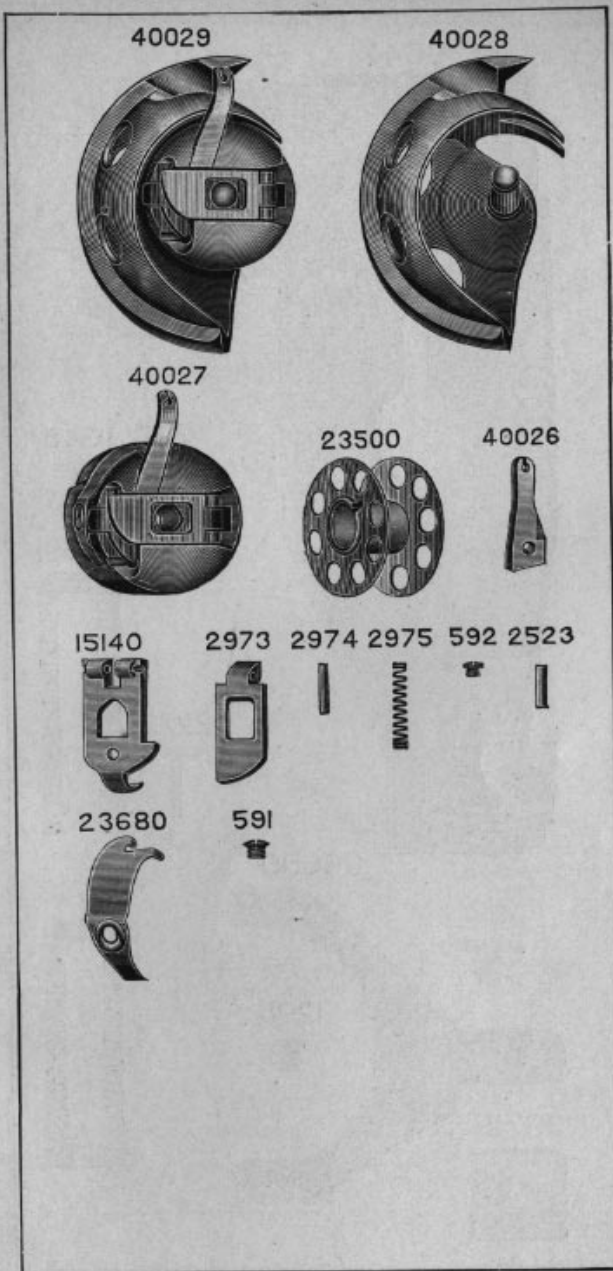


PLATE 4066—FULL SIZE

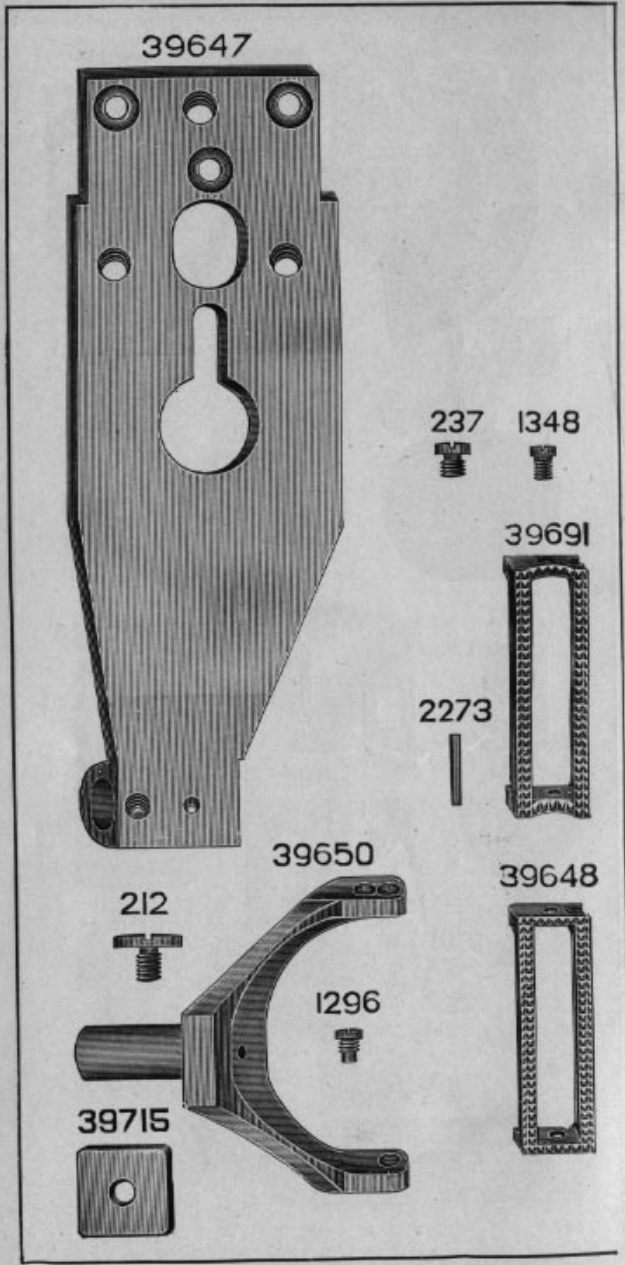


PLATE 4067—ONE-HALF SIZE

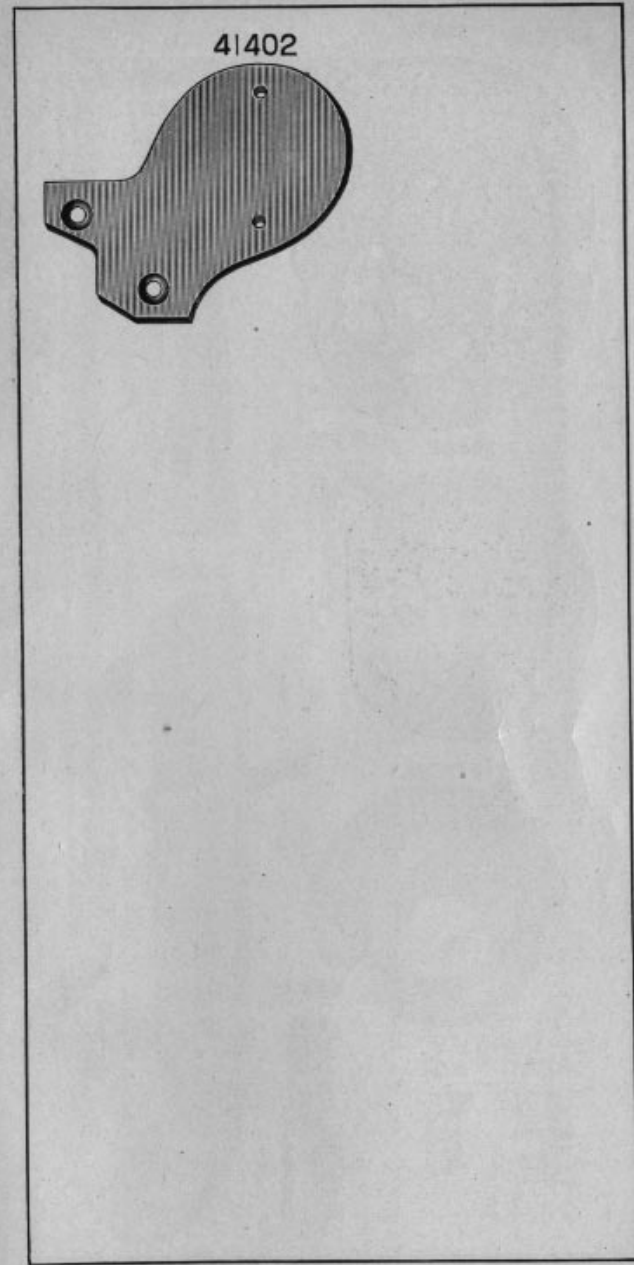


PLATE 4068—ONE-HALF SIZE

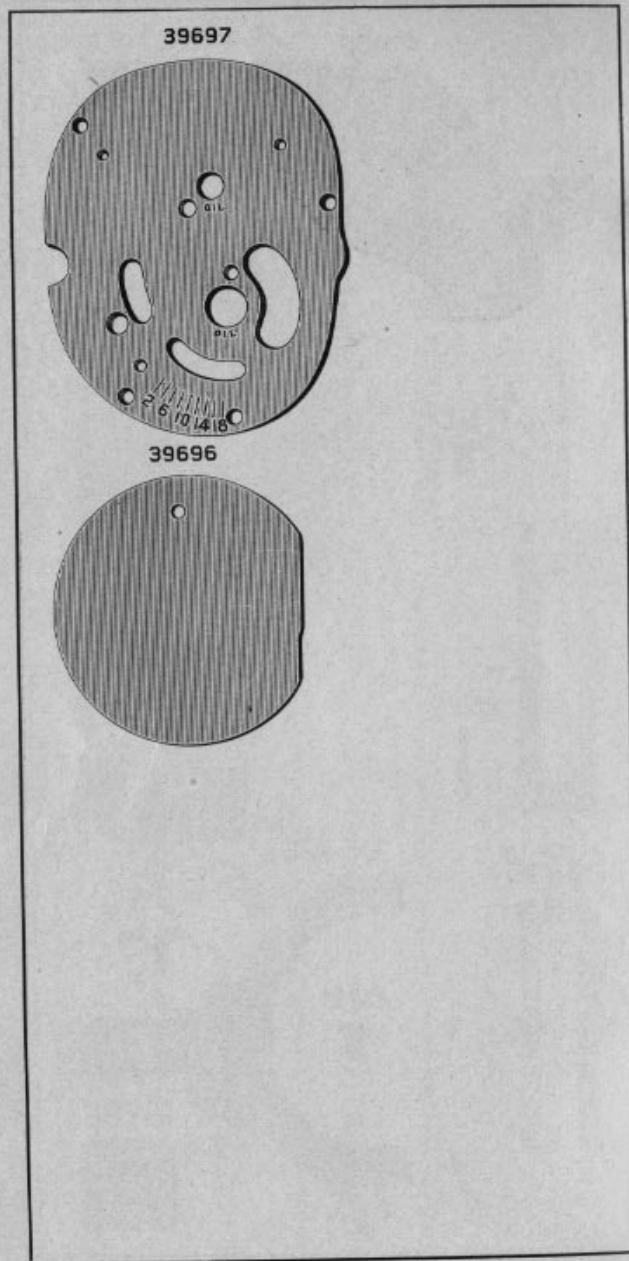


PLATE 4069—FULL SIZE

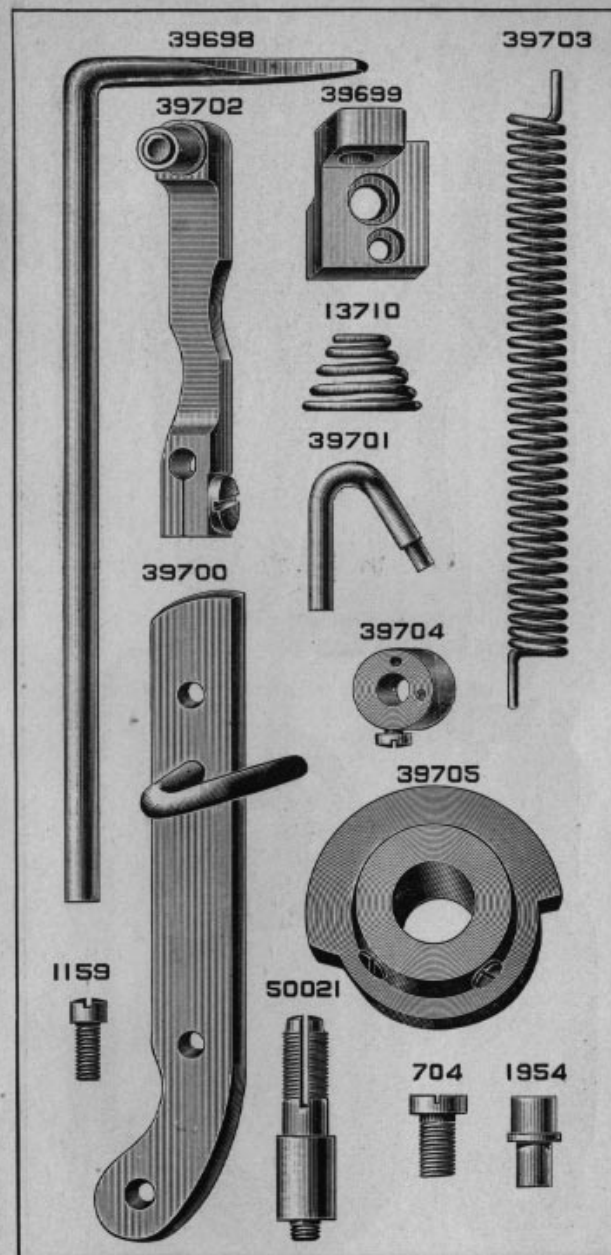
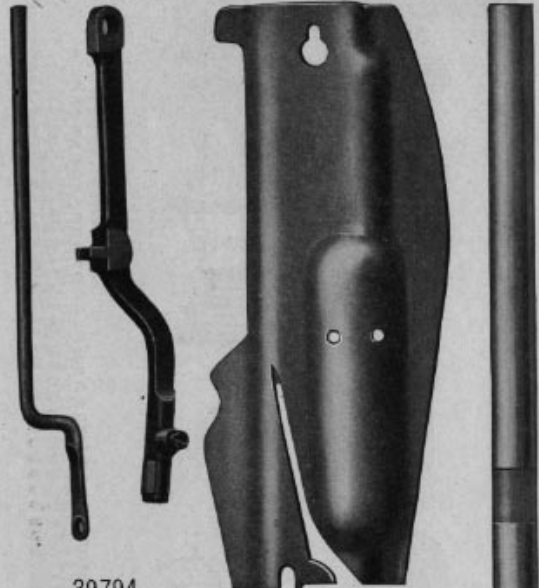


PLATE 4070—ONE-HALF SIZE

39730 39752 39791 39793



39794

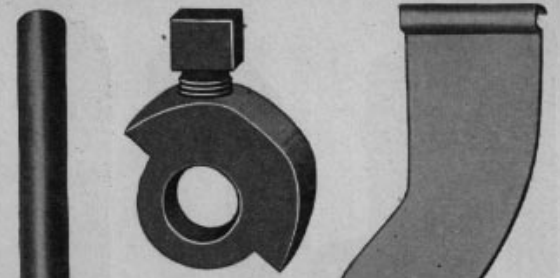


39759



PLATE 4071—FULL SIZE

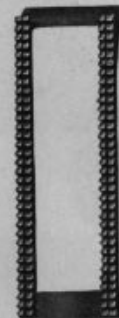
40066 40031 39805



857



39761



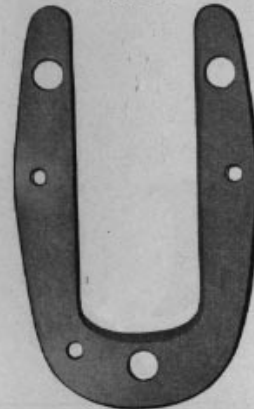
50163 50162



39804



39763



39806

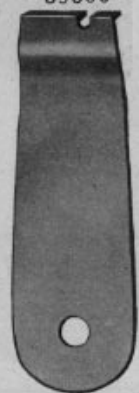


PLATE 4072—FULL SIZE

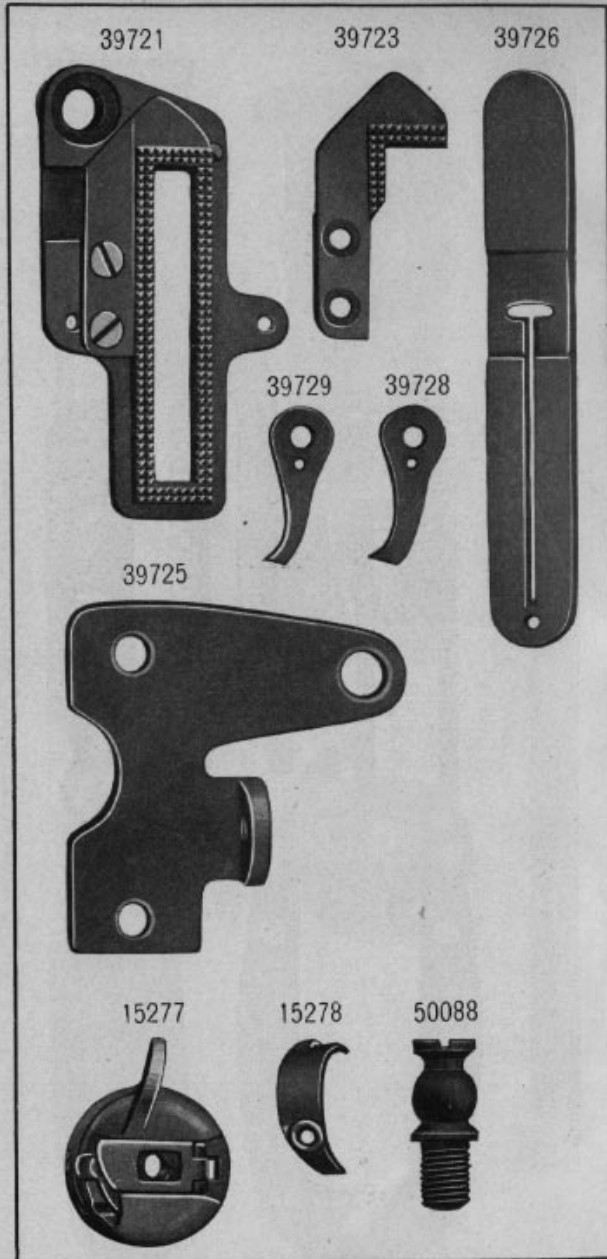


PLATE 4074—FULL SIZE

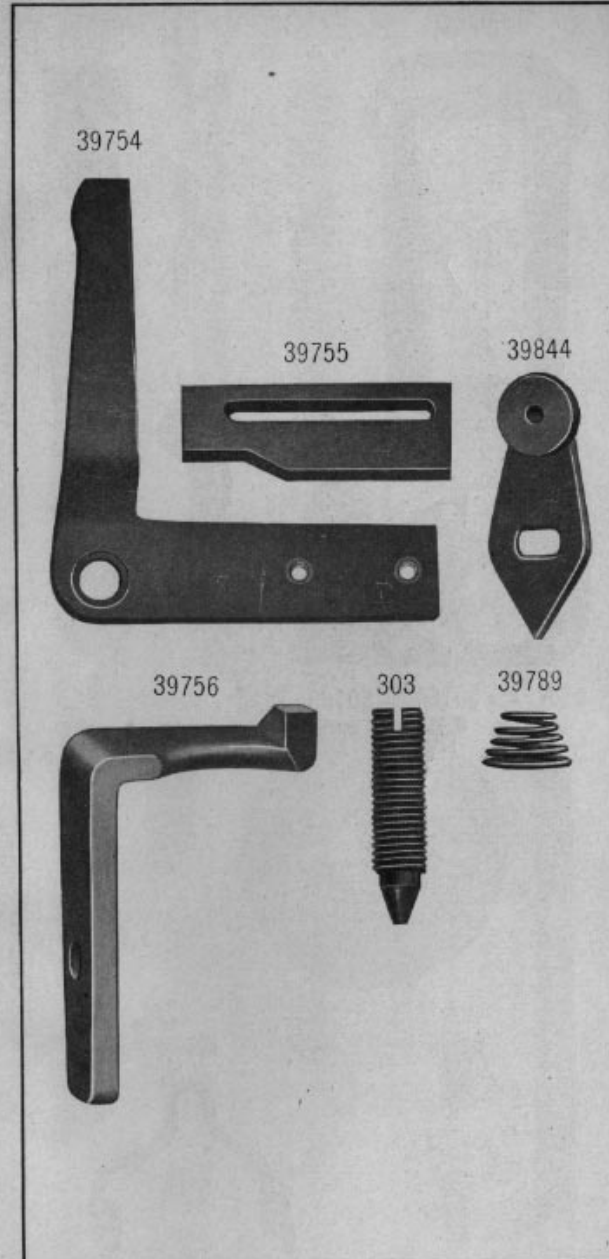


PLATE 4075—FULL SIZE

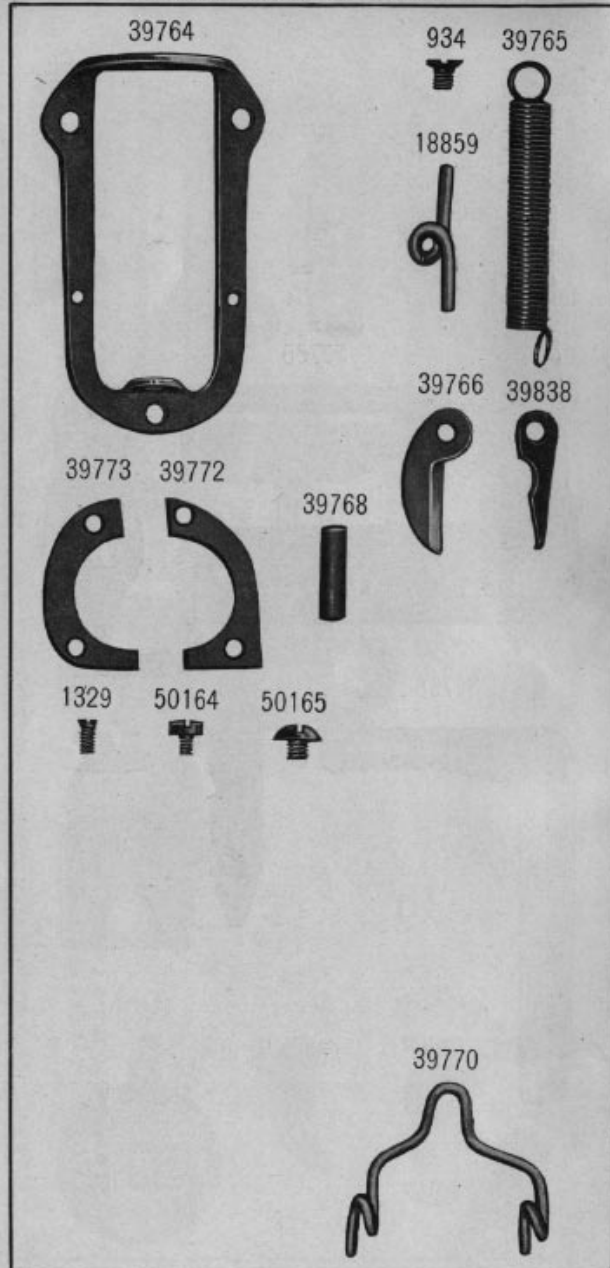


PLATE 4076—FULL SIZE

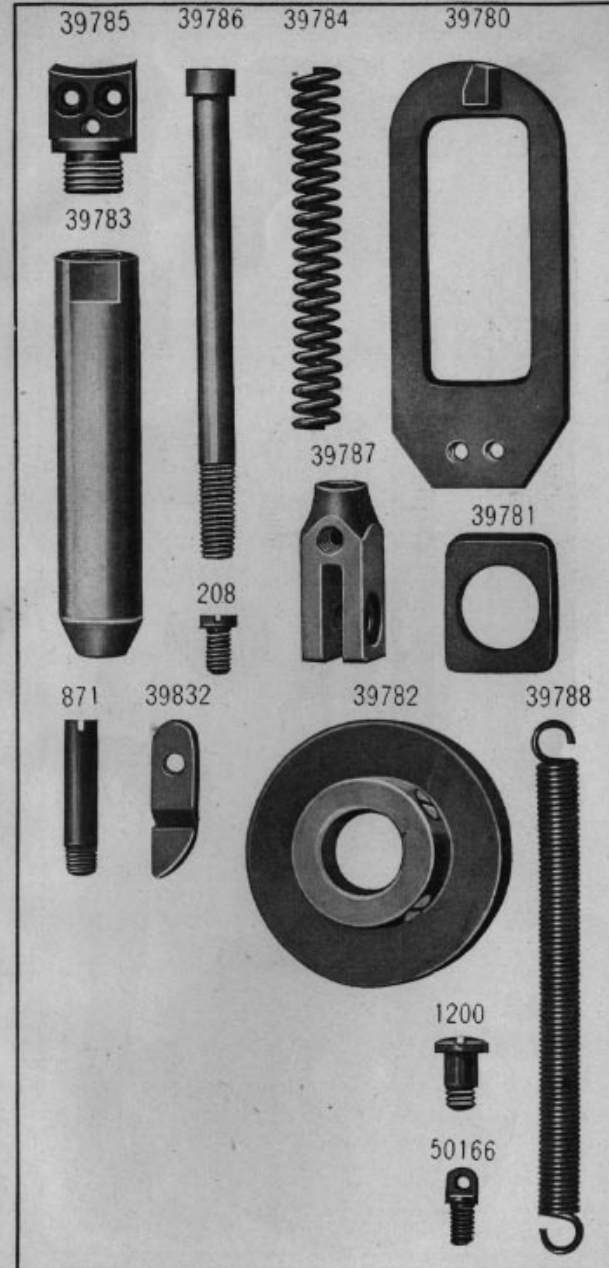


PLATE 4077—FULL SIZE

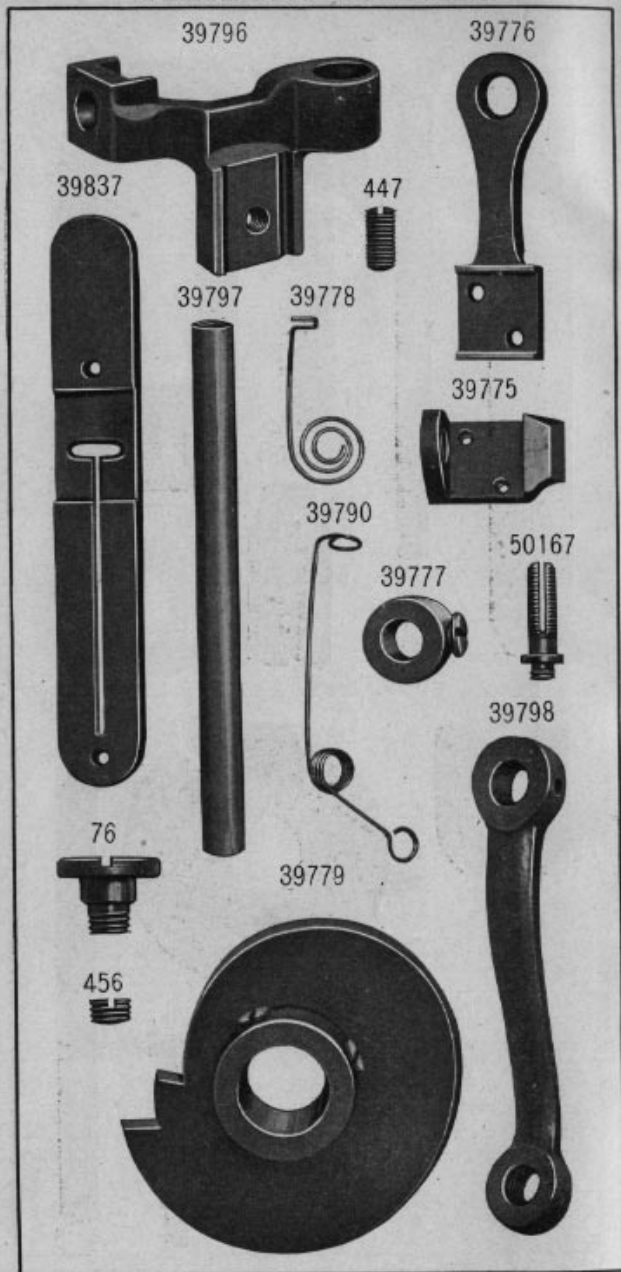


PLATE 4078—ONE-FOURTH SIZE

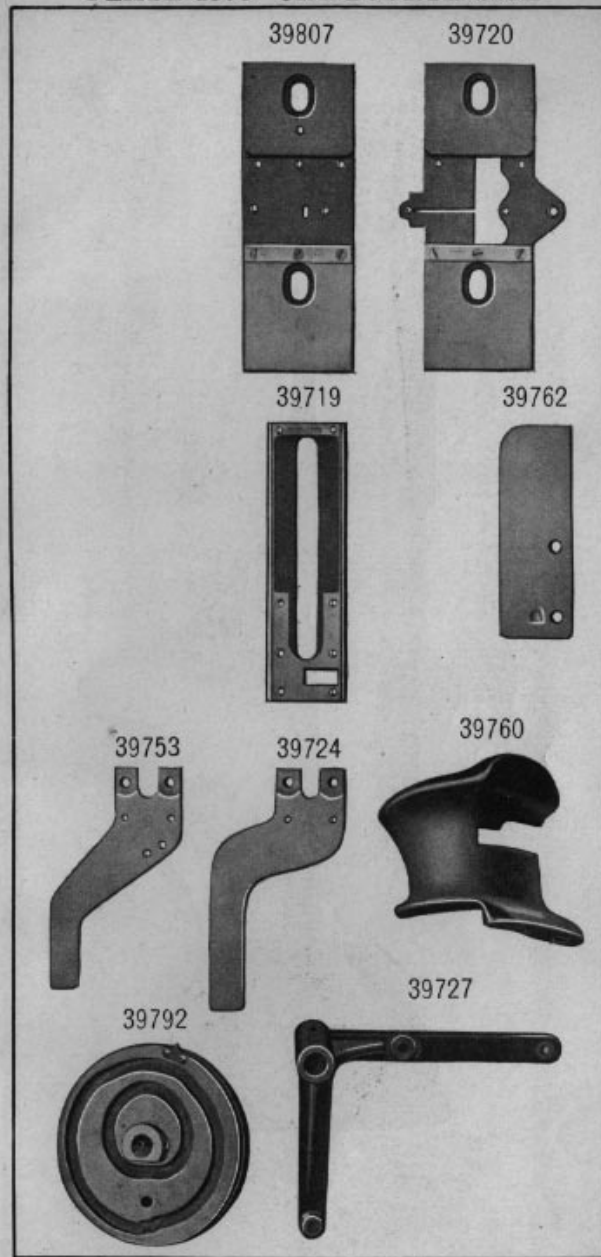


PLATE 4079—ONE-HALF SIZE

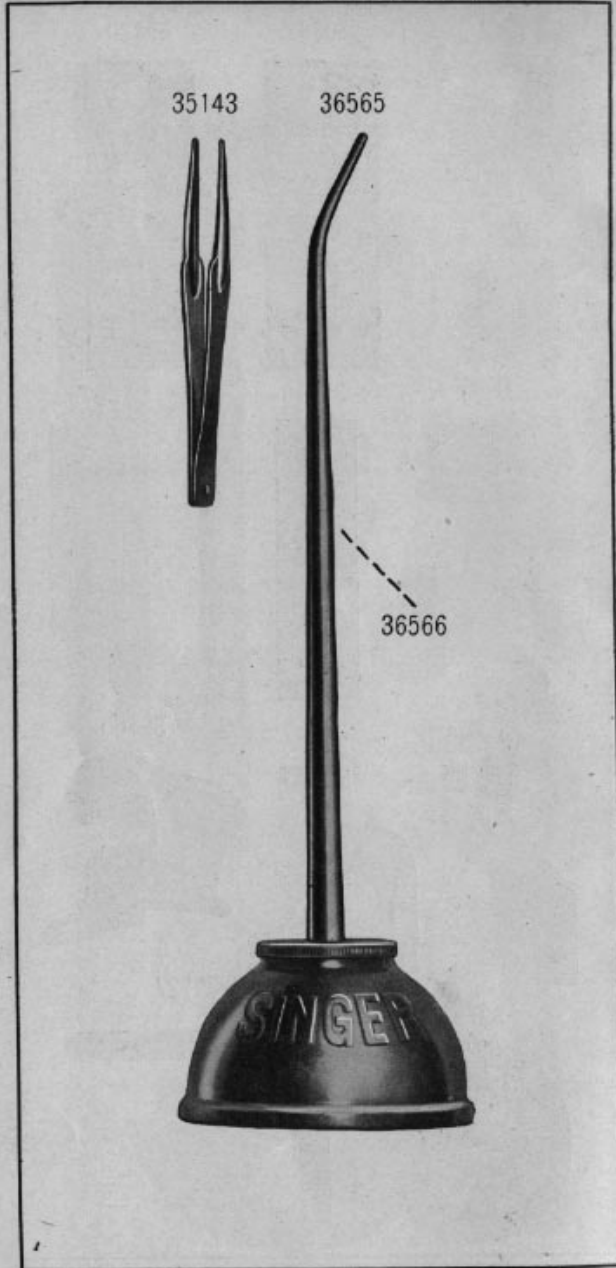


PLATE 4080—ONE-FOURTH SIZE

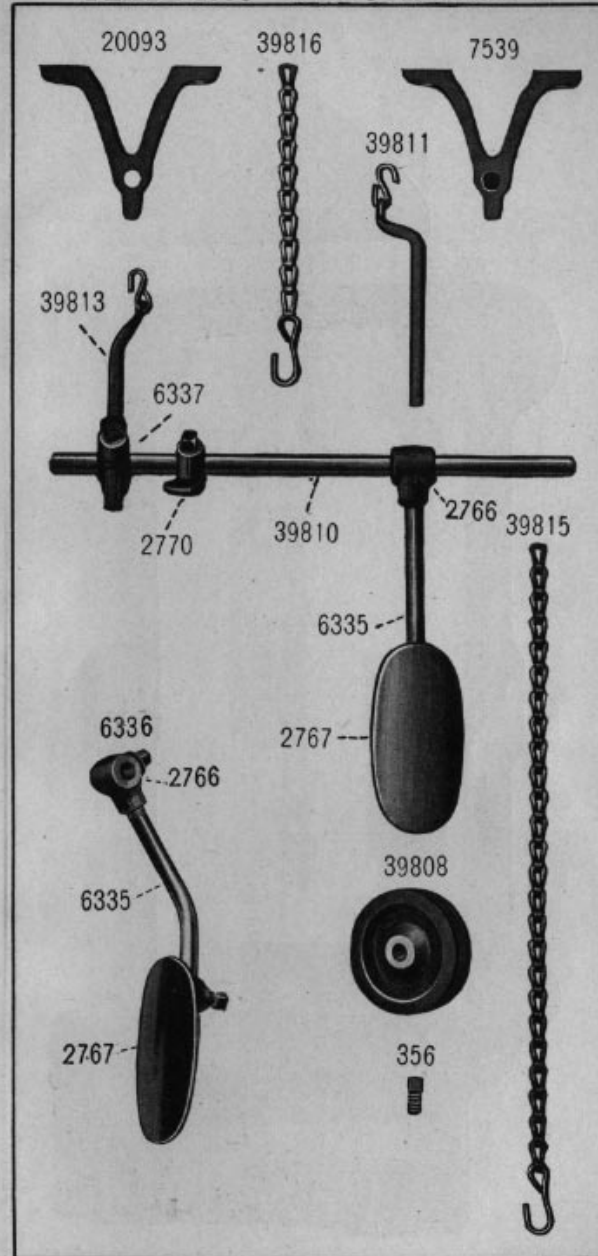


PLATE 4082—ONE-FOURTH SIZE

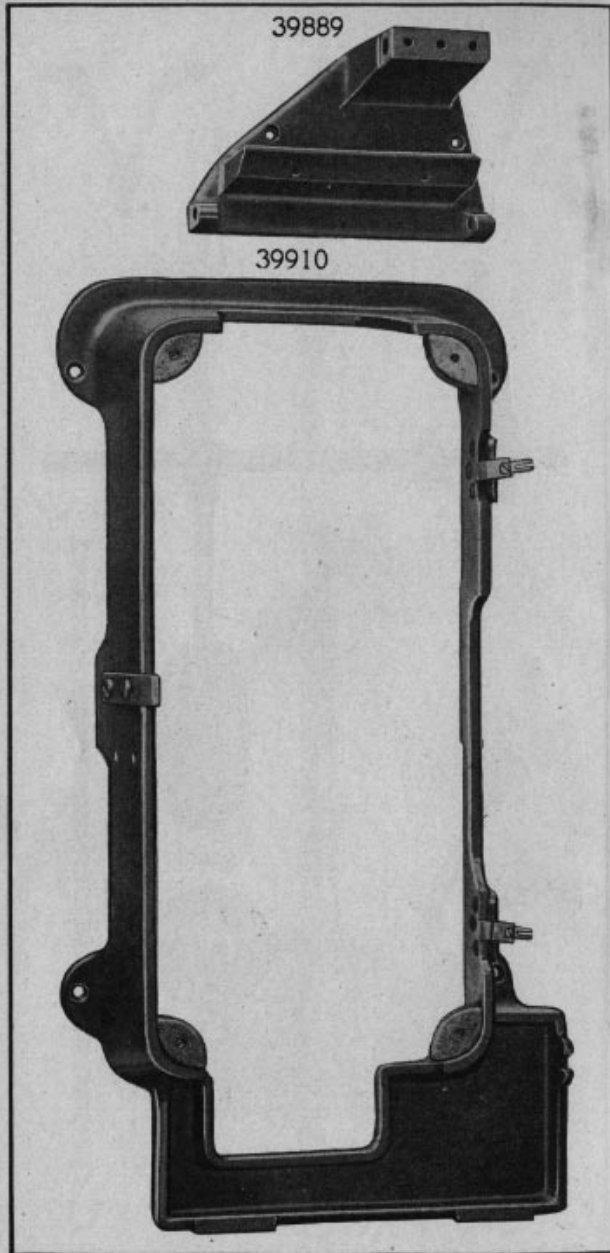


PLATE 4083—FULL SIZE

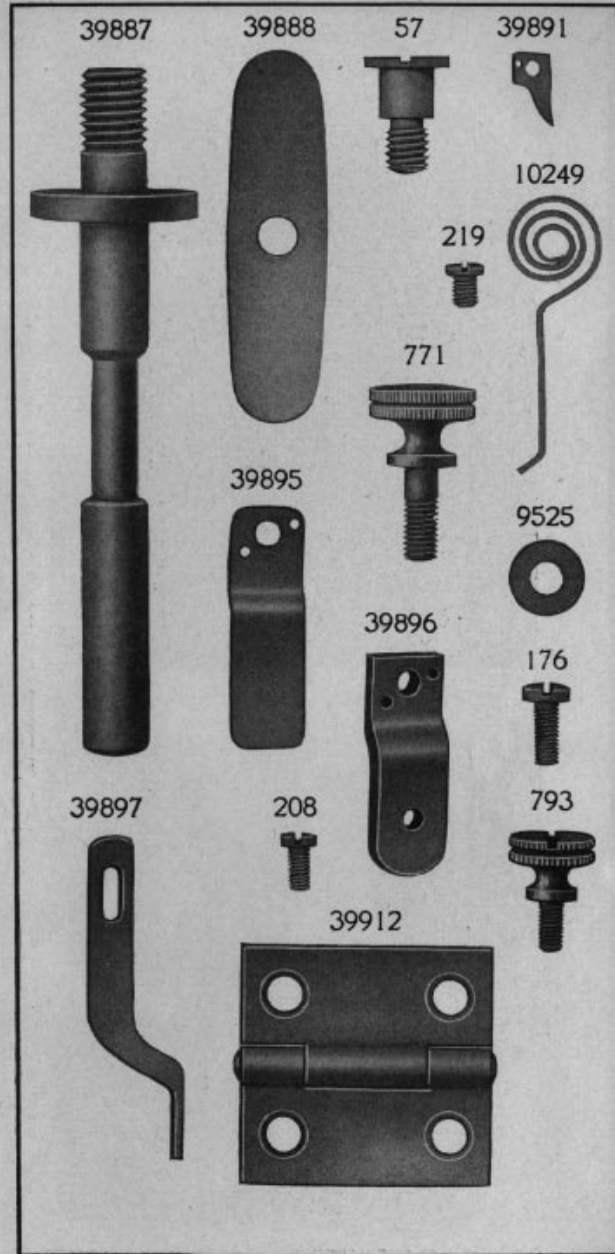


PLATE 4084—ONE-FOURTH SIZE

39911



PLATE 4085—FULL SIZE

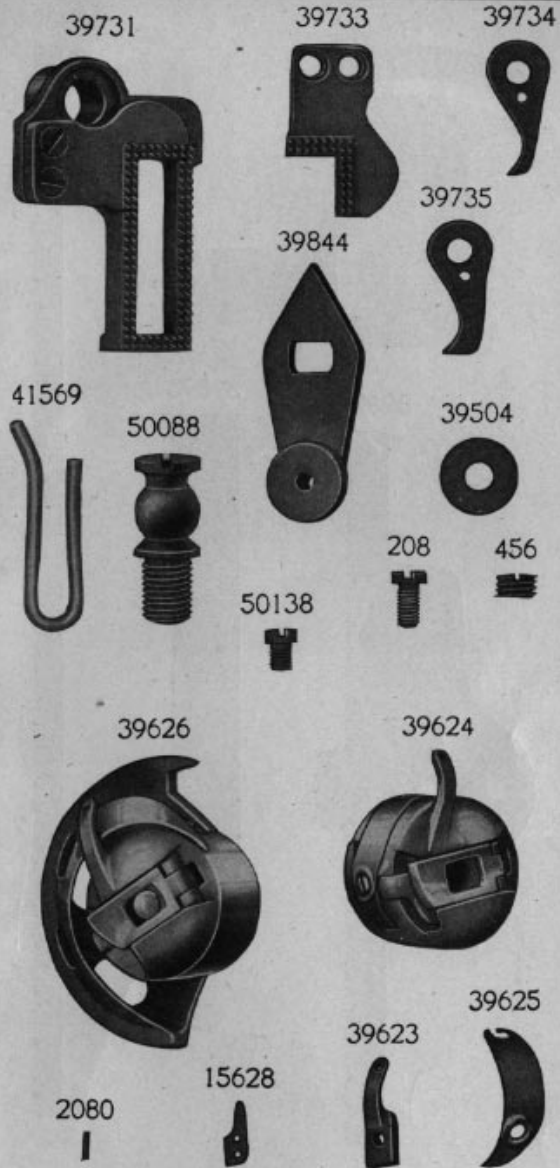
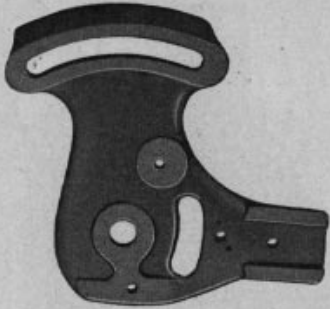


PLATE 4086—ONE-HALF SIZE

39890



39894



39892

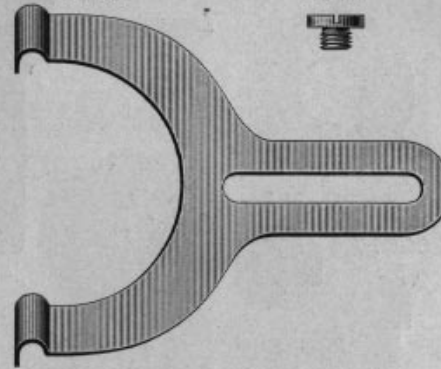


39893



PLATE 4134—FULL SIZE

40013



1238



PLATE 11658-FULL SIZE

