

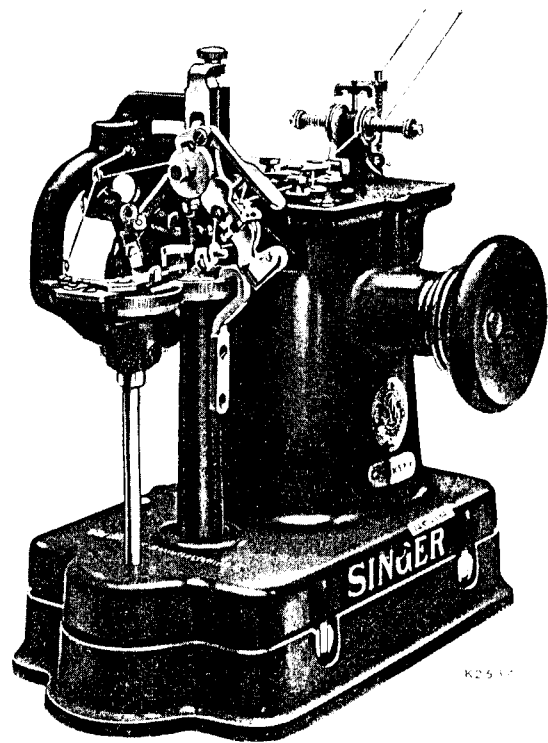
SINGER
46K50,K52

Form K5696
(Supersedes K3650)

Illustrated List of Parts

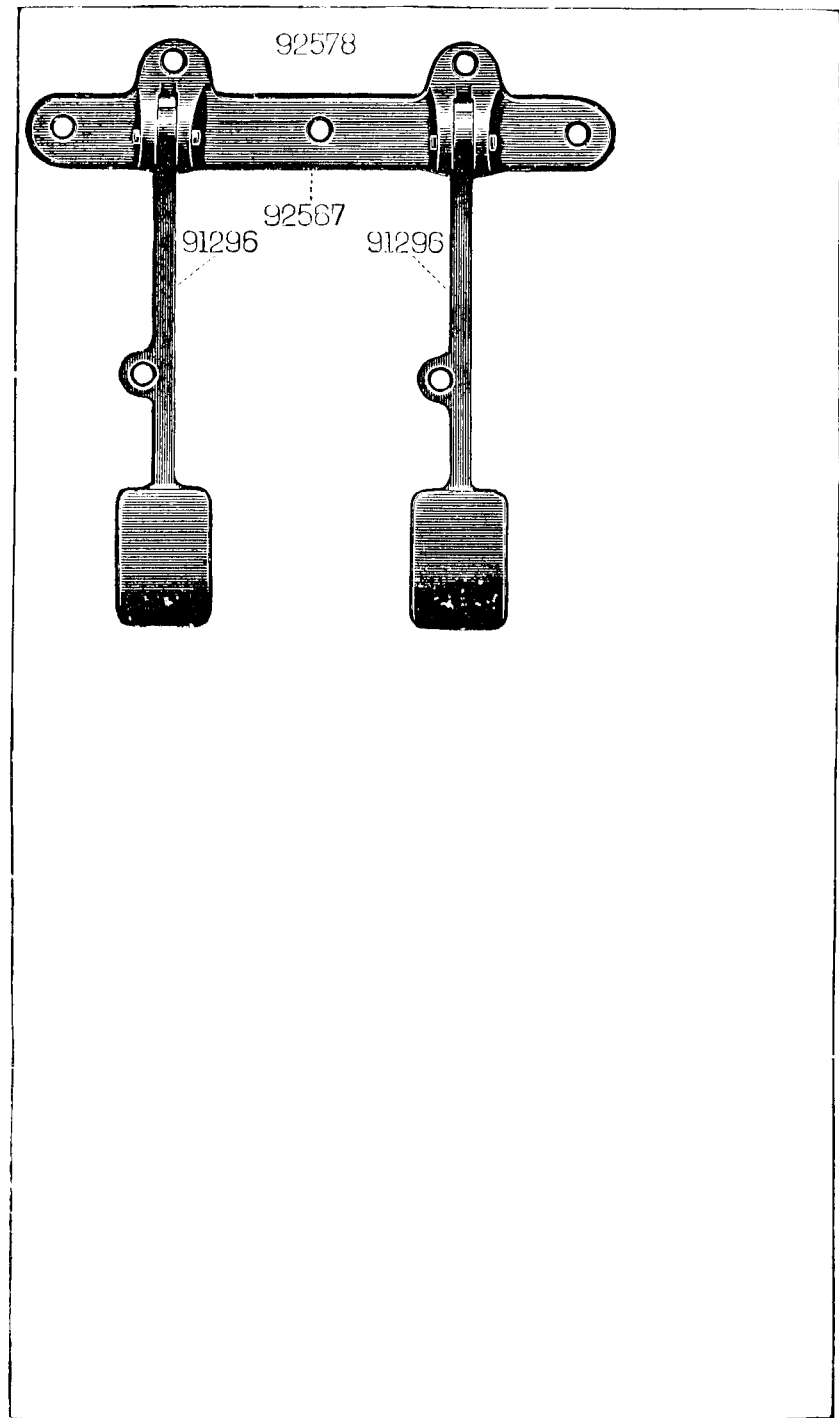
FOR

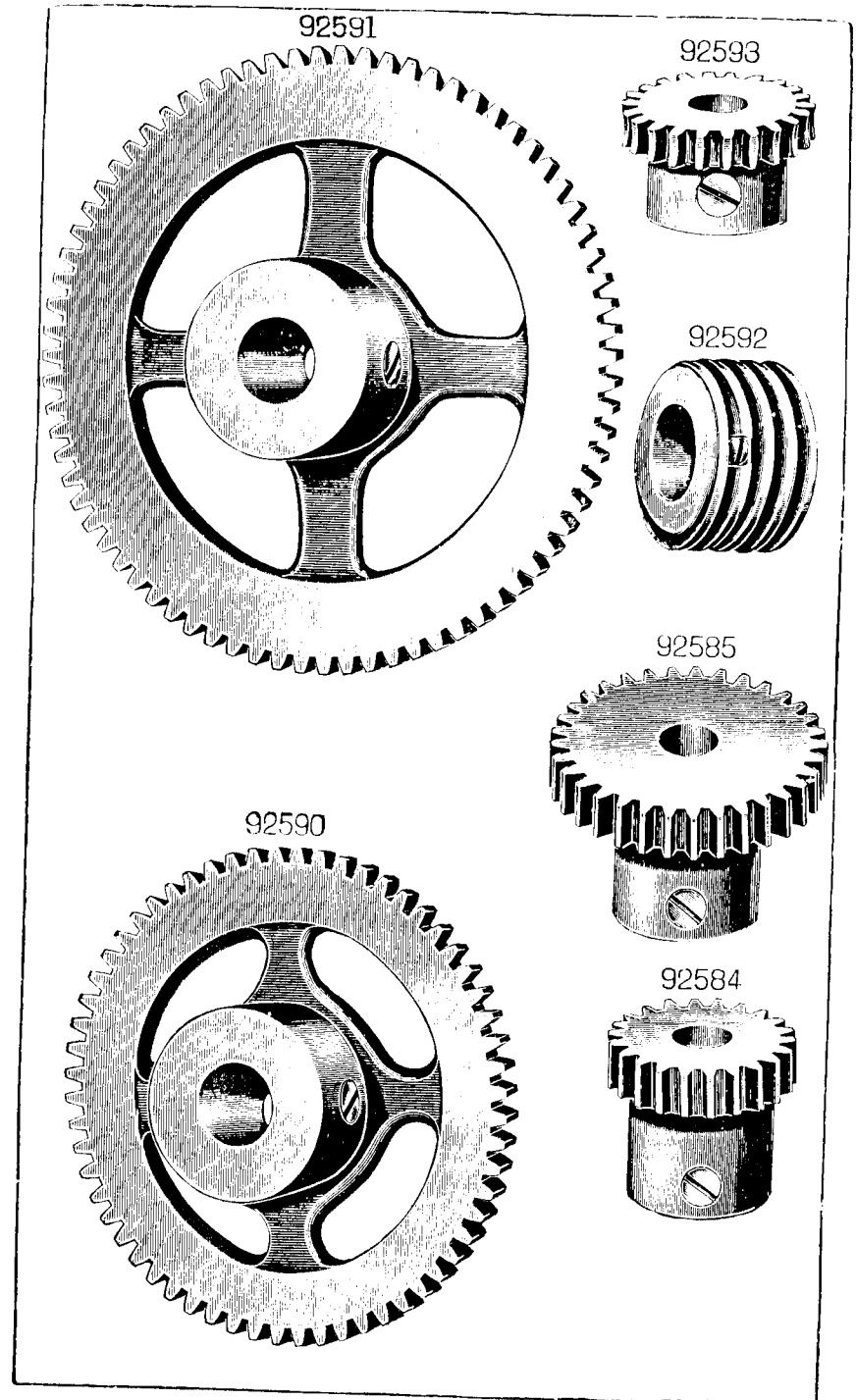
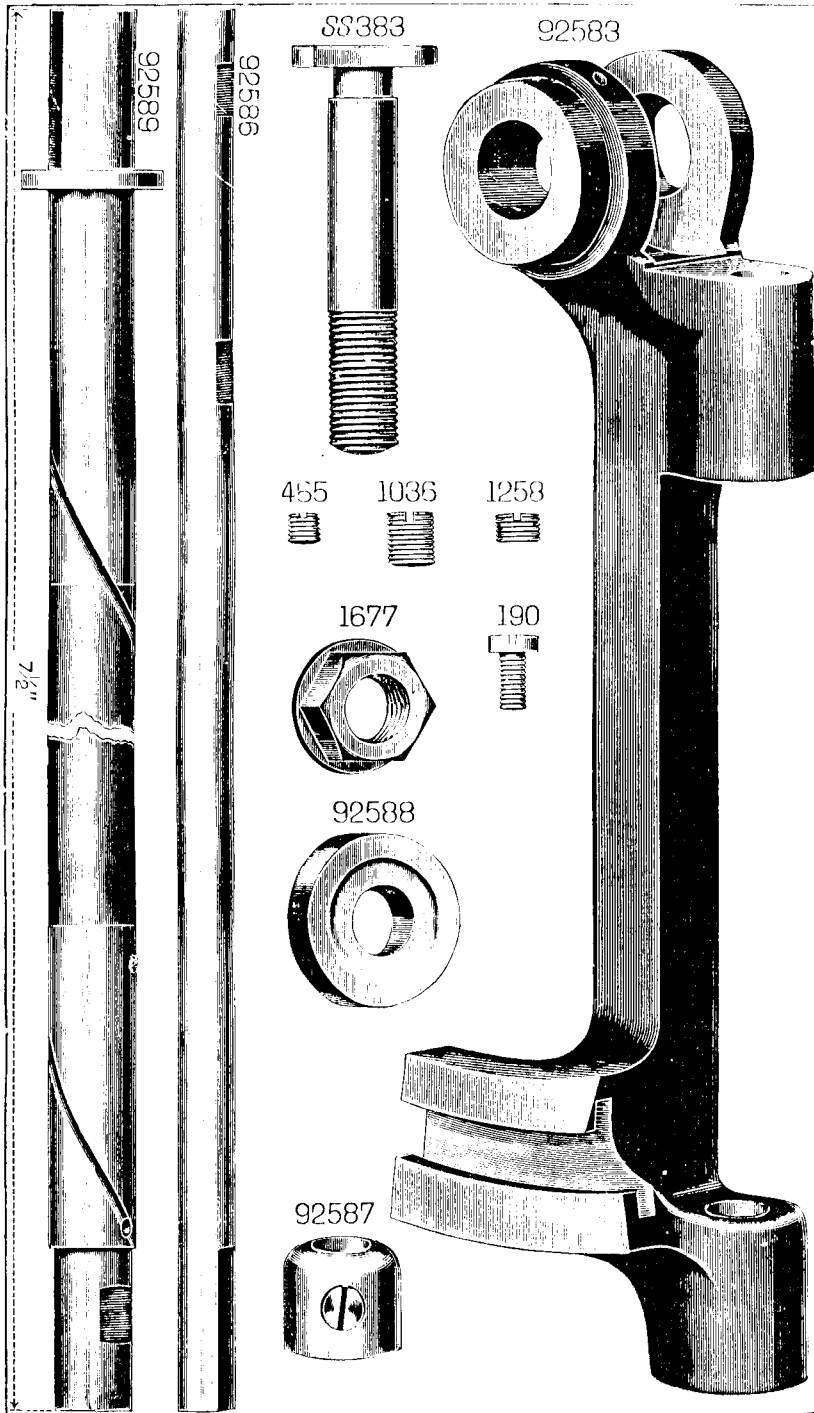
Nos. 46K50 to 46K52 Machines



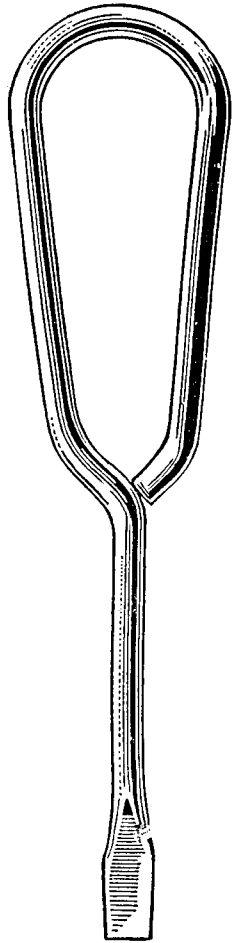
Machine No. 46K52

THE SINGER MANUFACTURING COMPANY





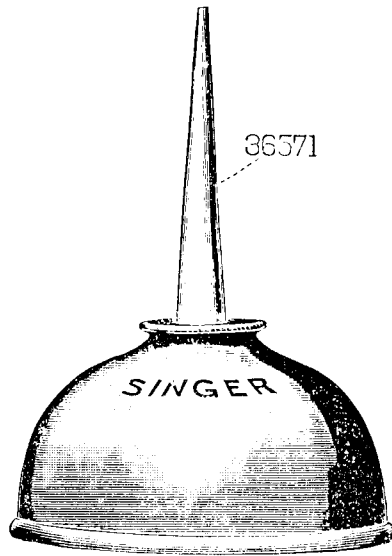
25537



86405



36569



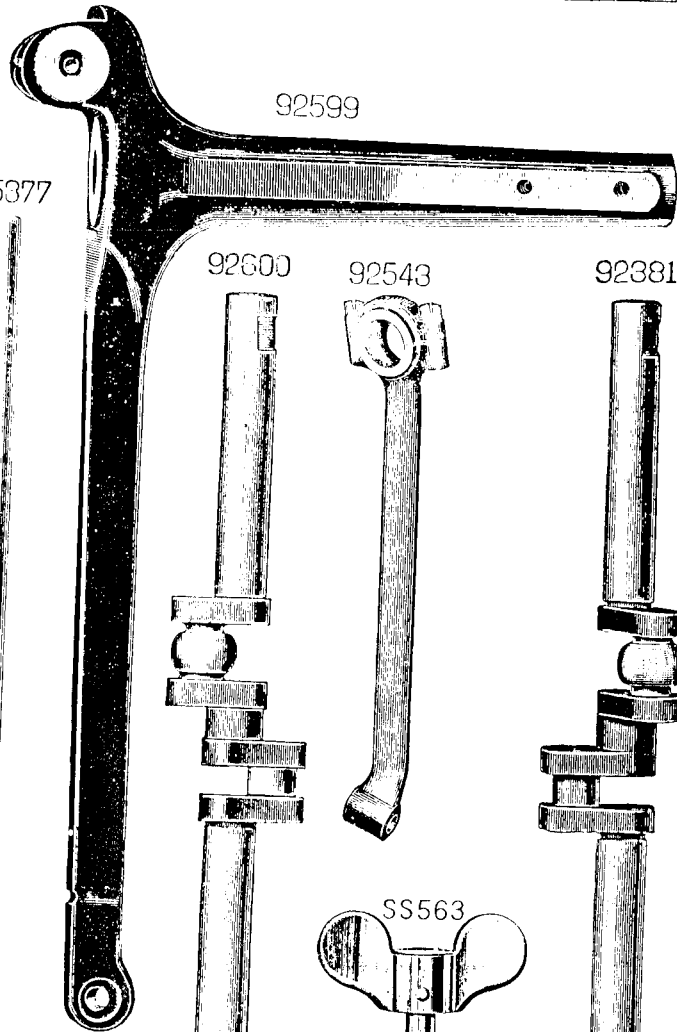
36571

SINGER

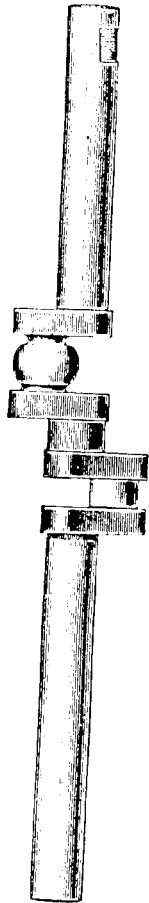
95377



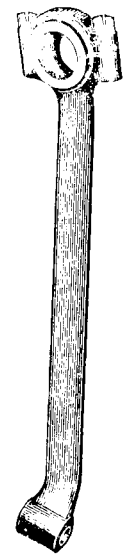
92599



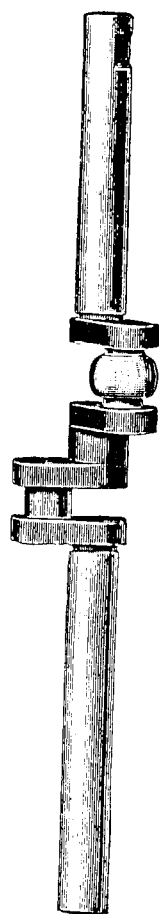
92600



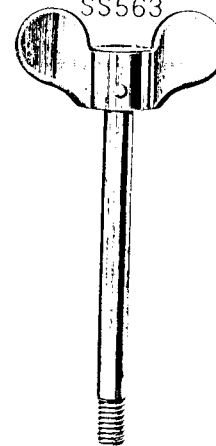
92543



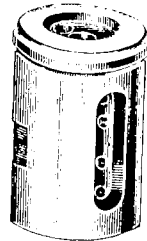
92381

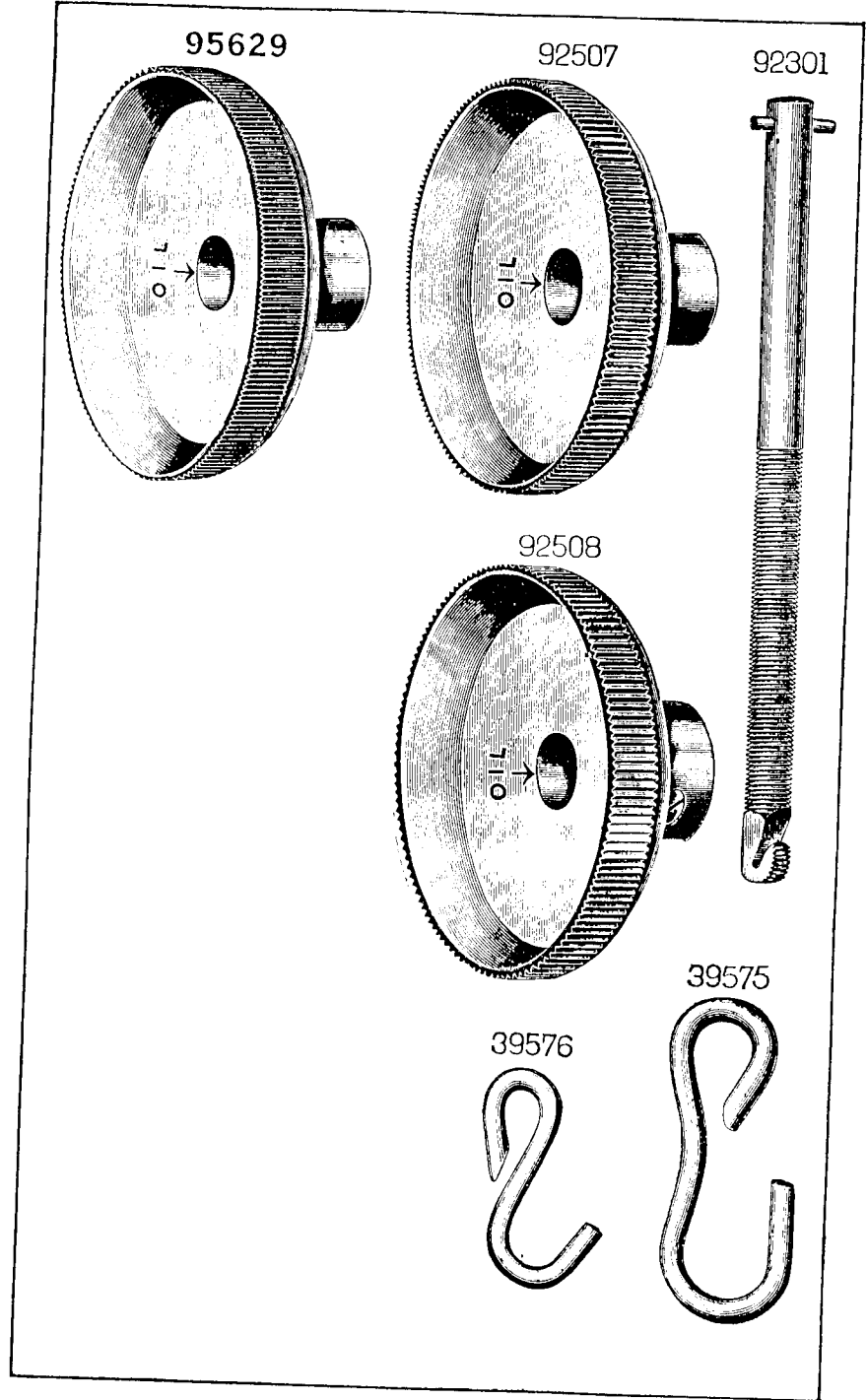
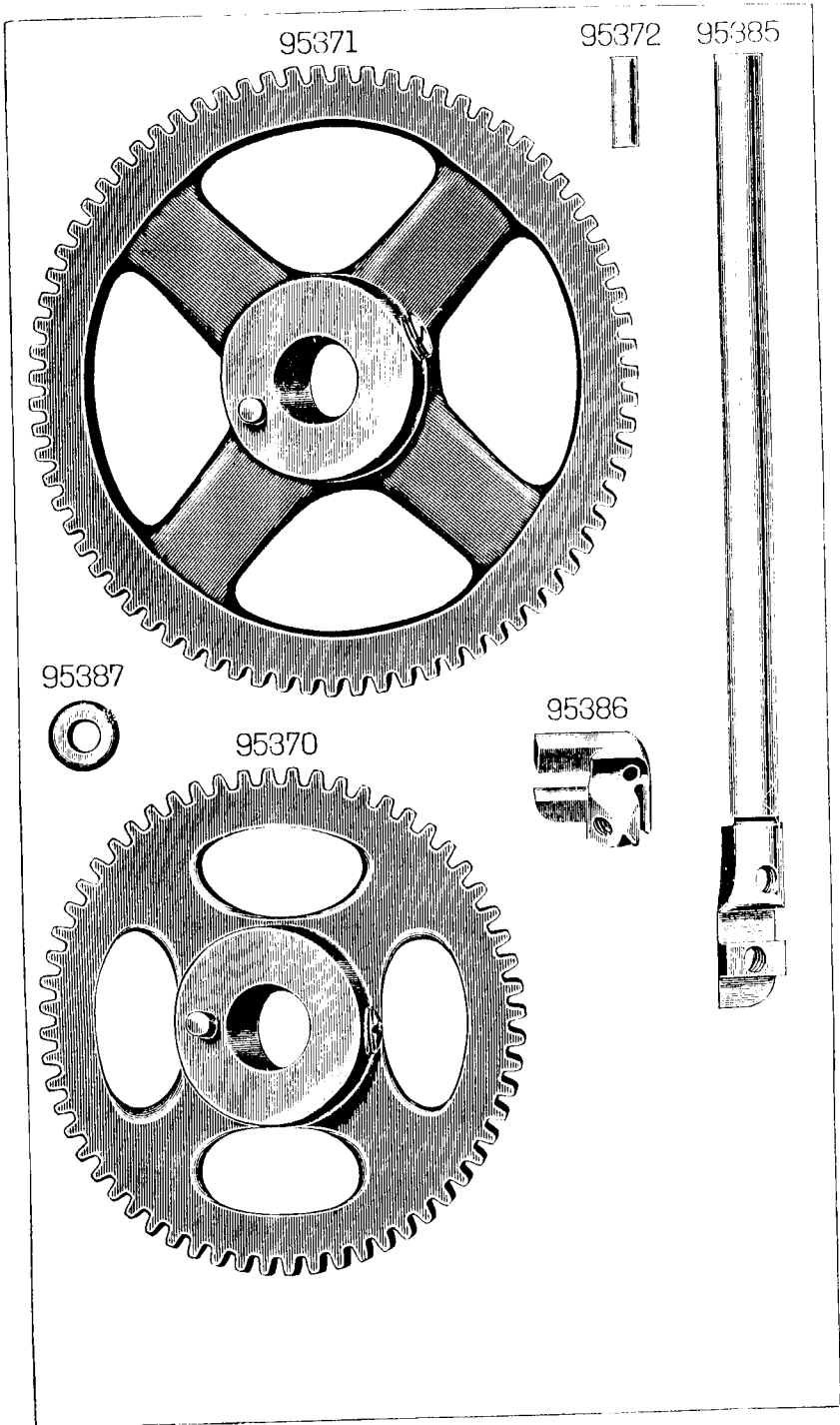


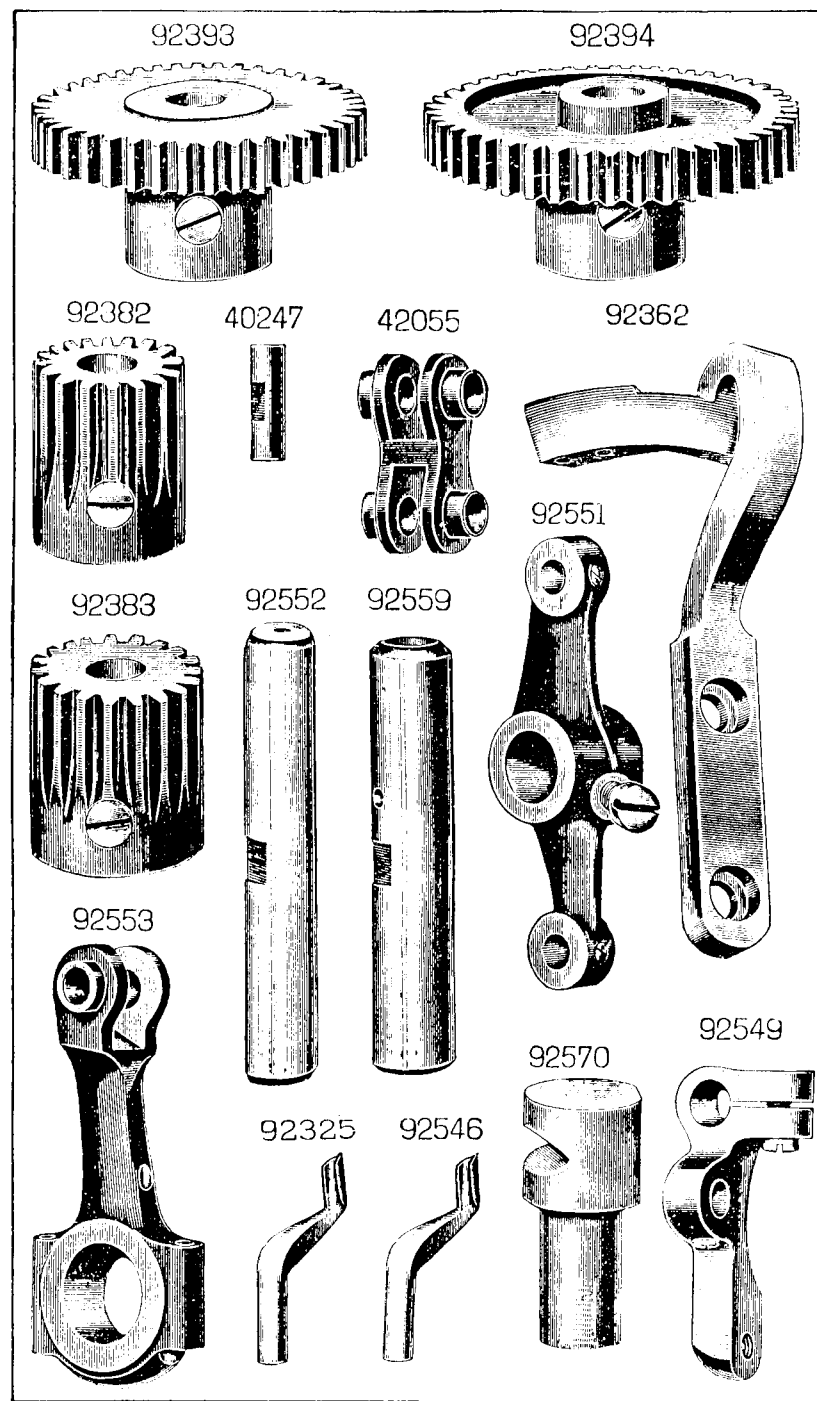
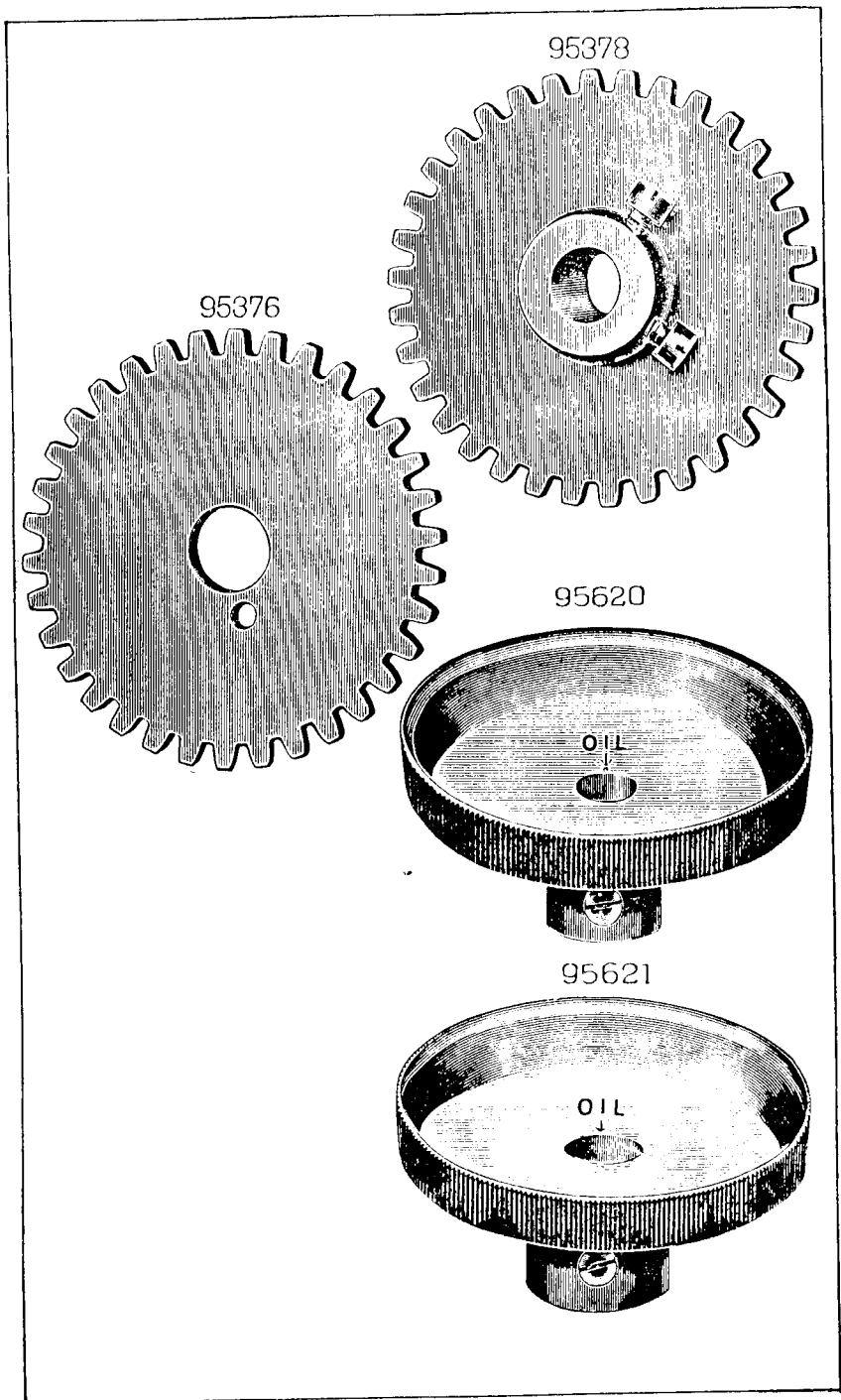
SS563

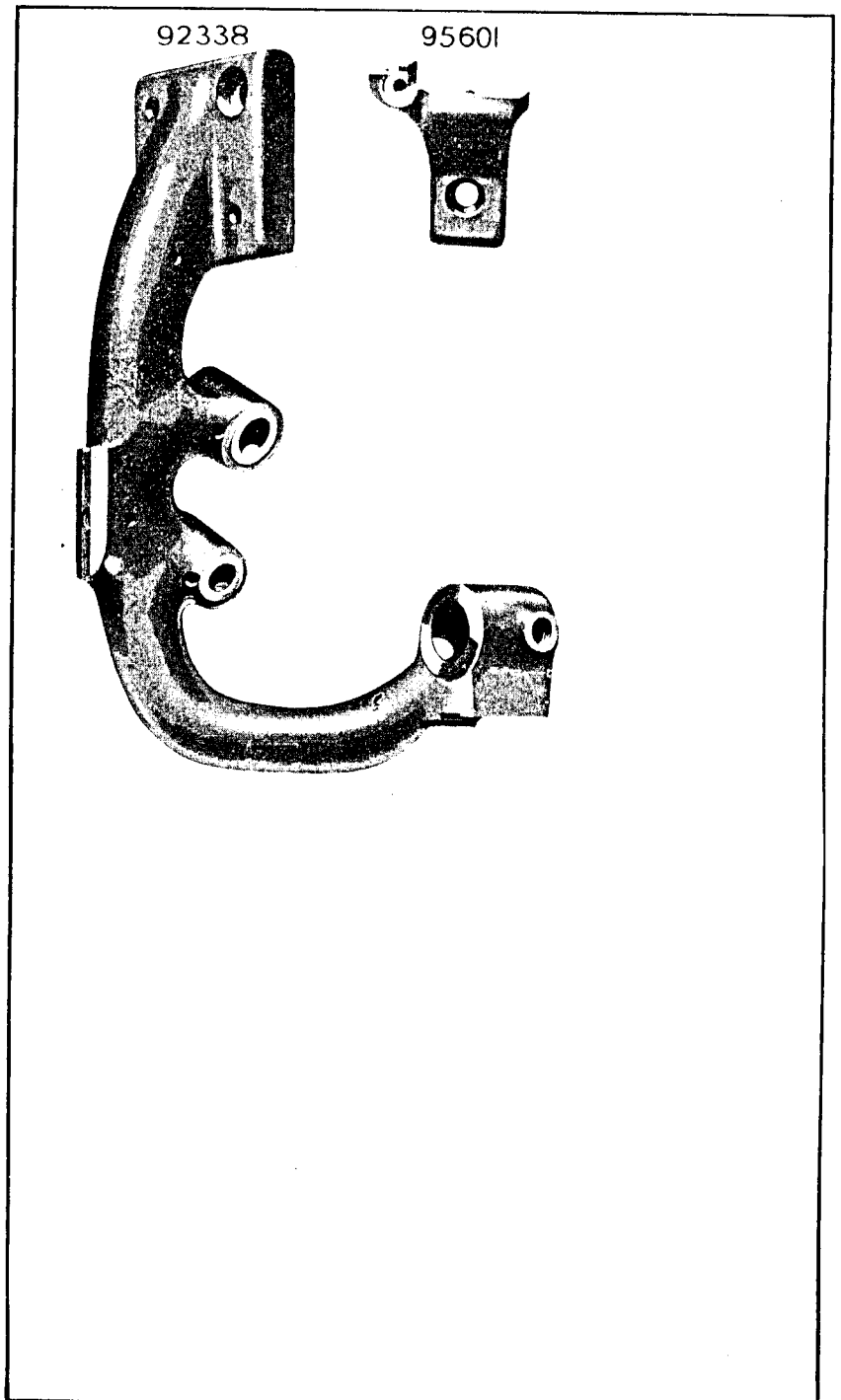
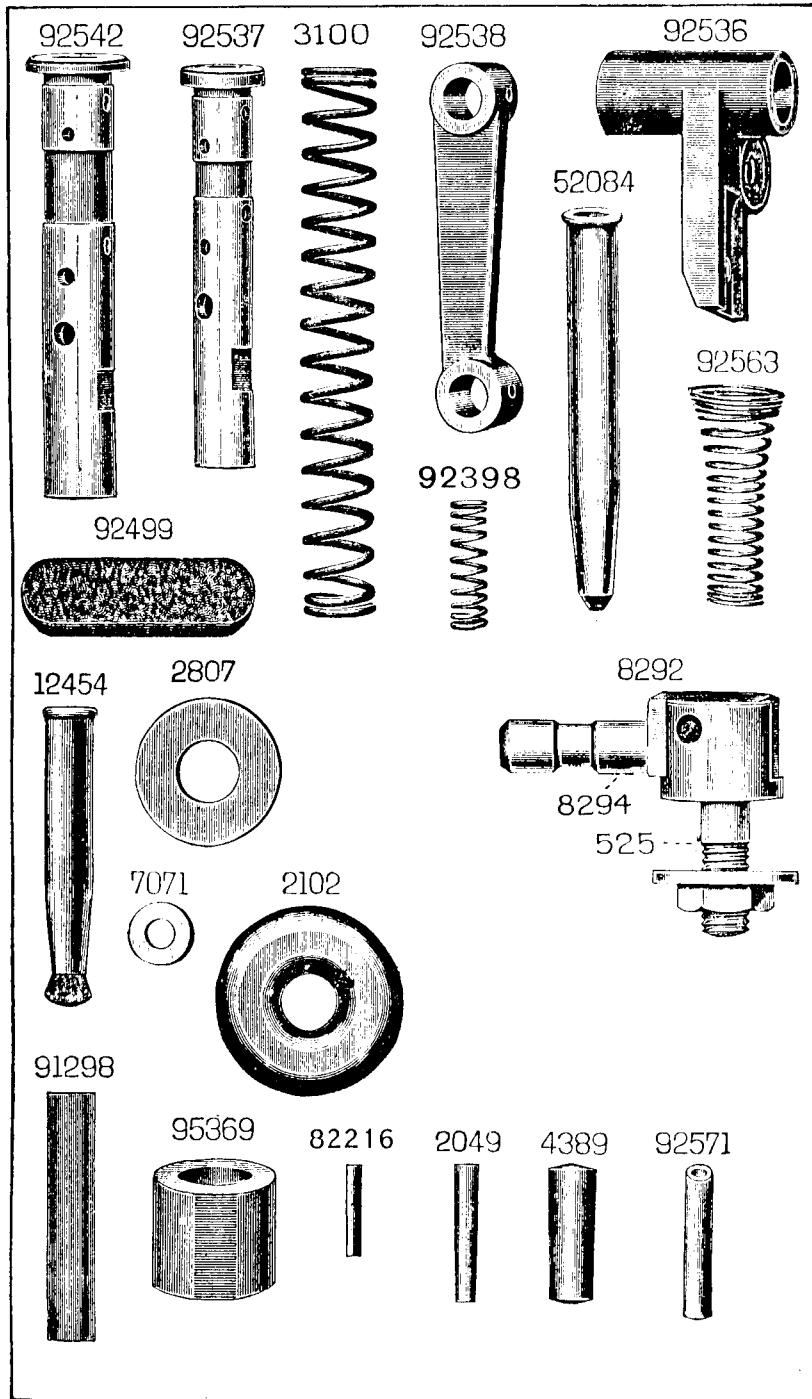


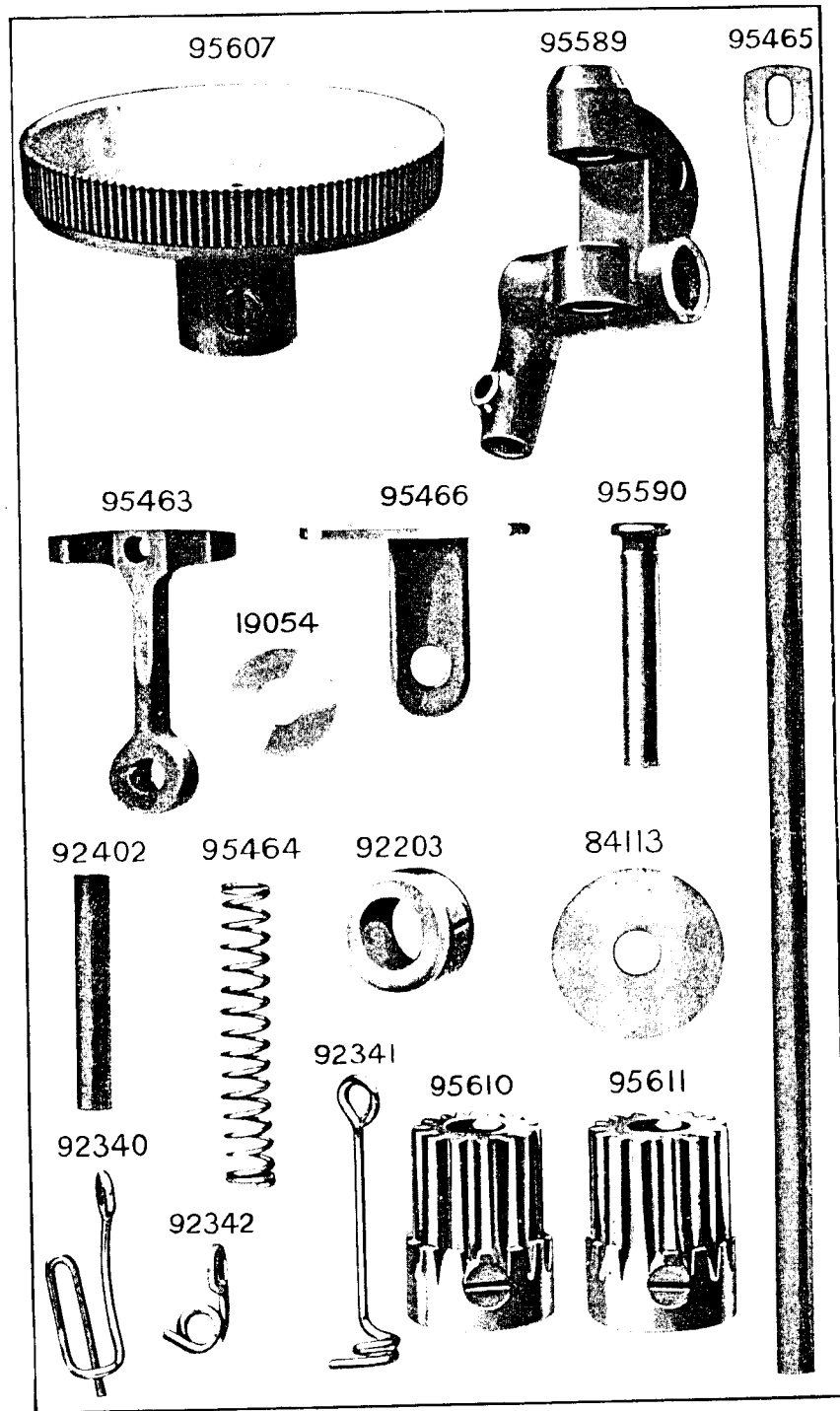
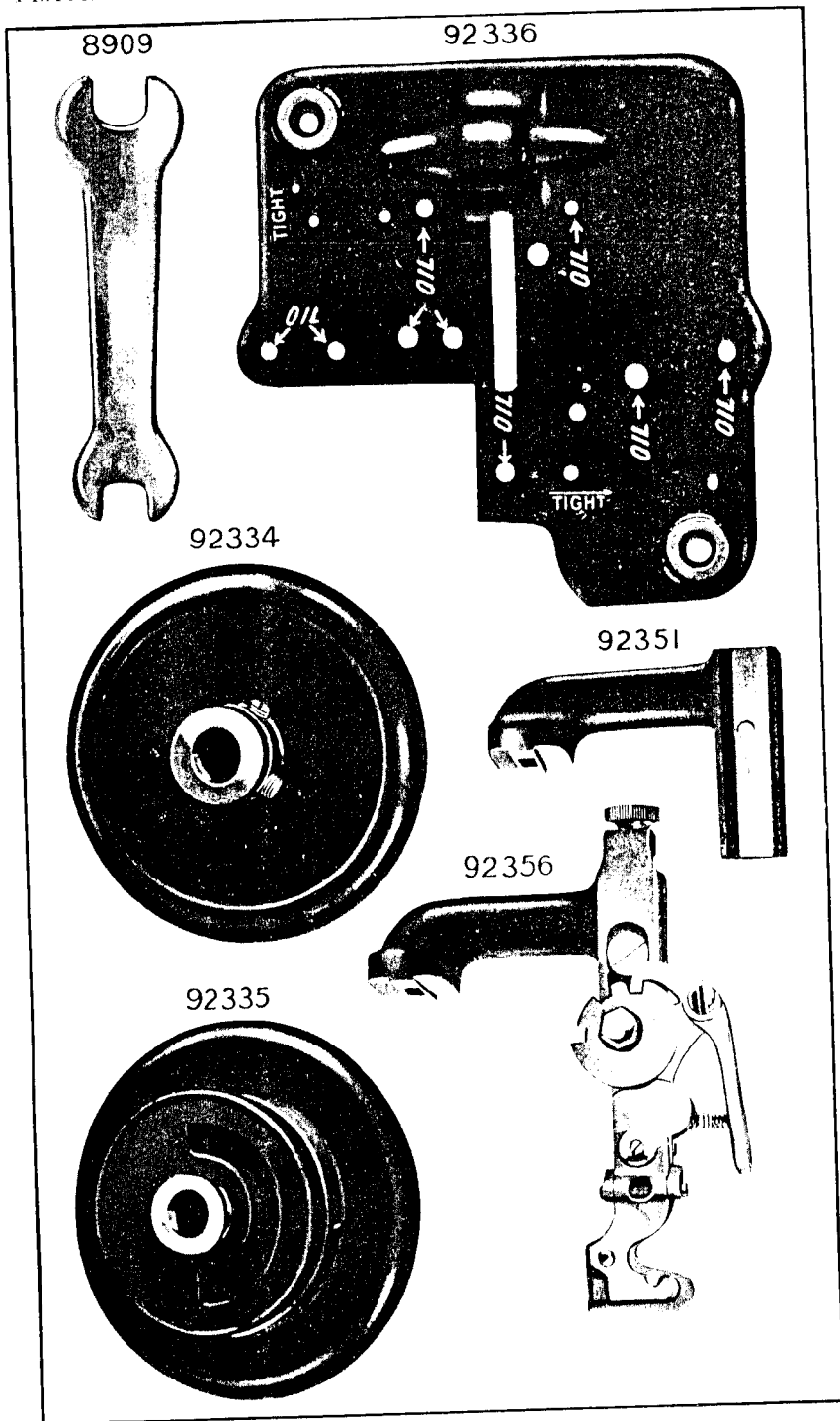
92498

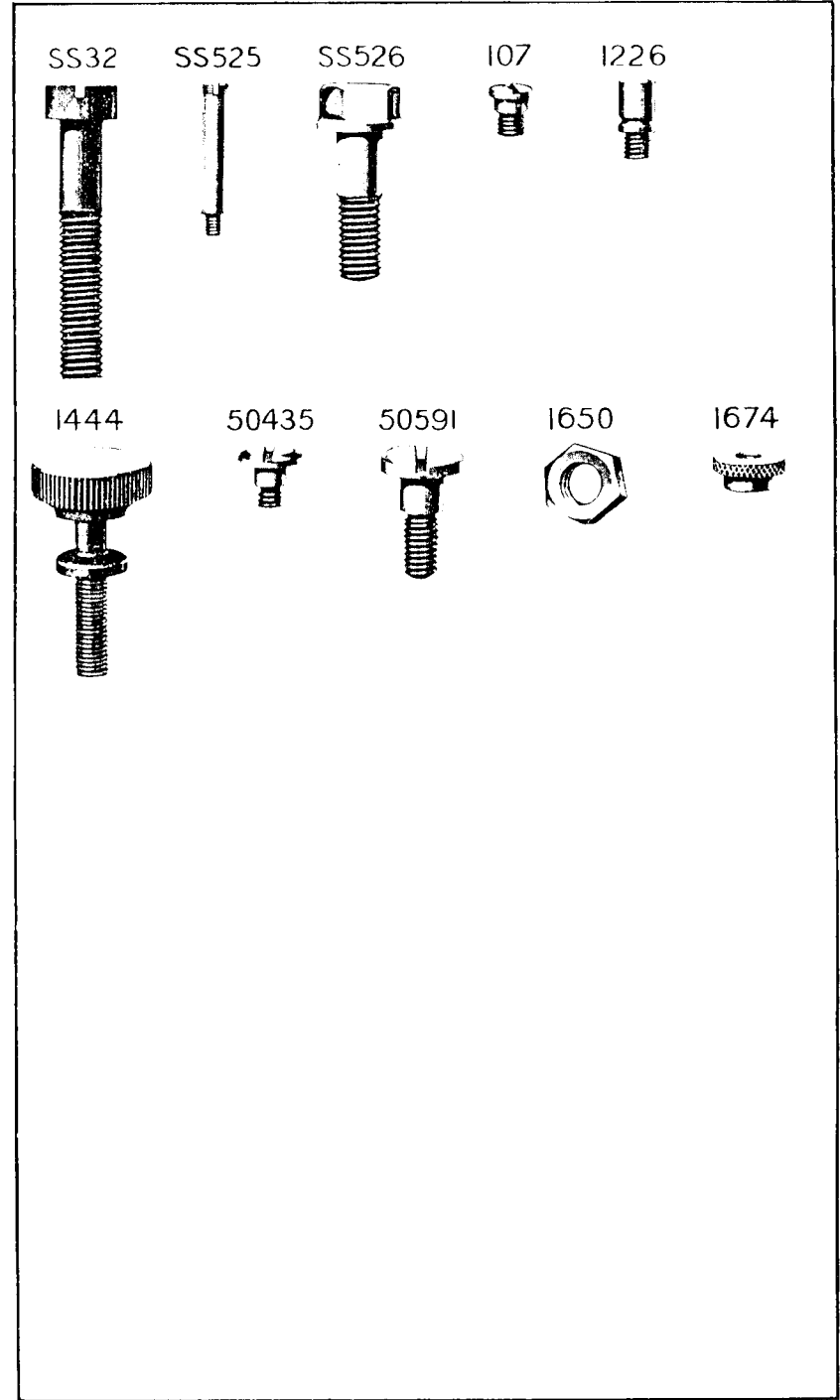
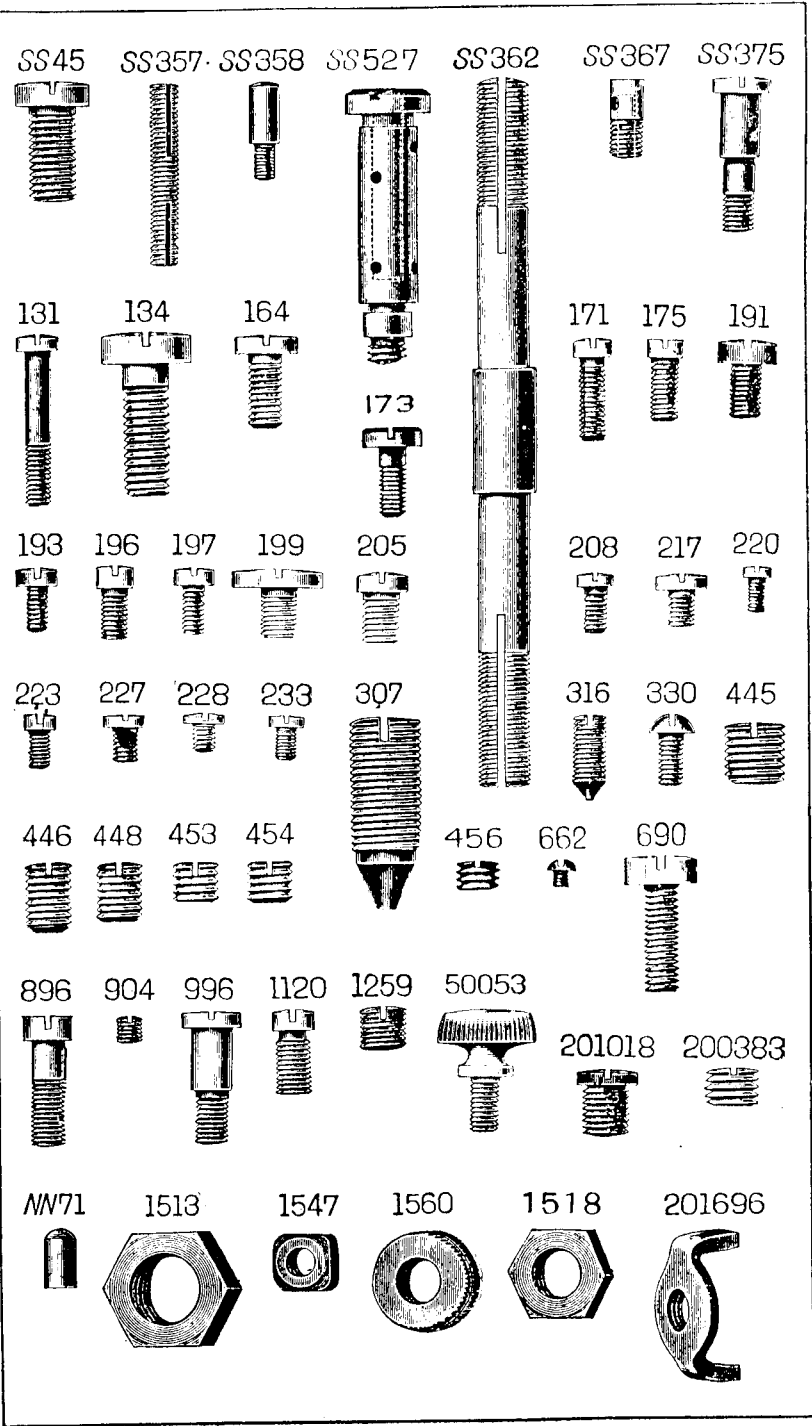




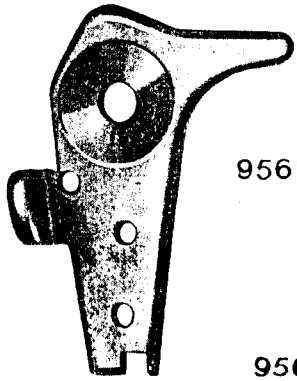




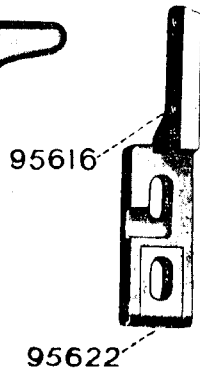




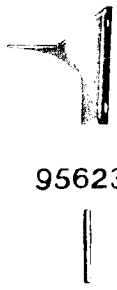
95626



95625



95615



95623

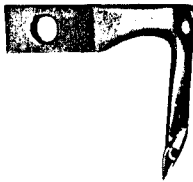


95624



SS 518

95628



95632

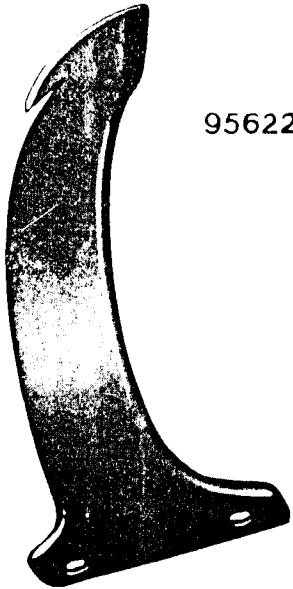


95631

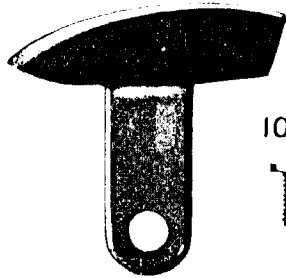
95630



92314



92364

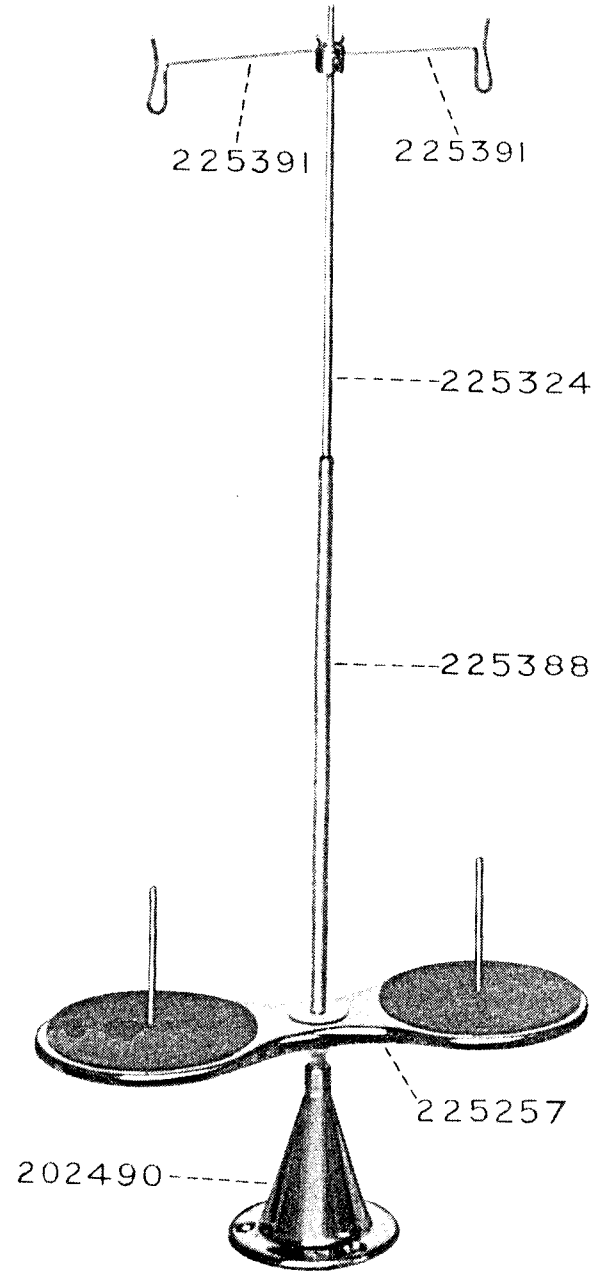


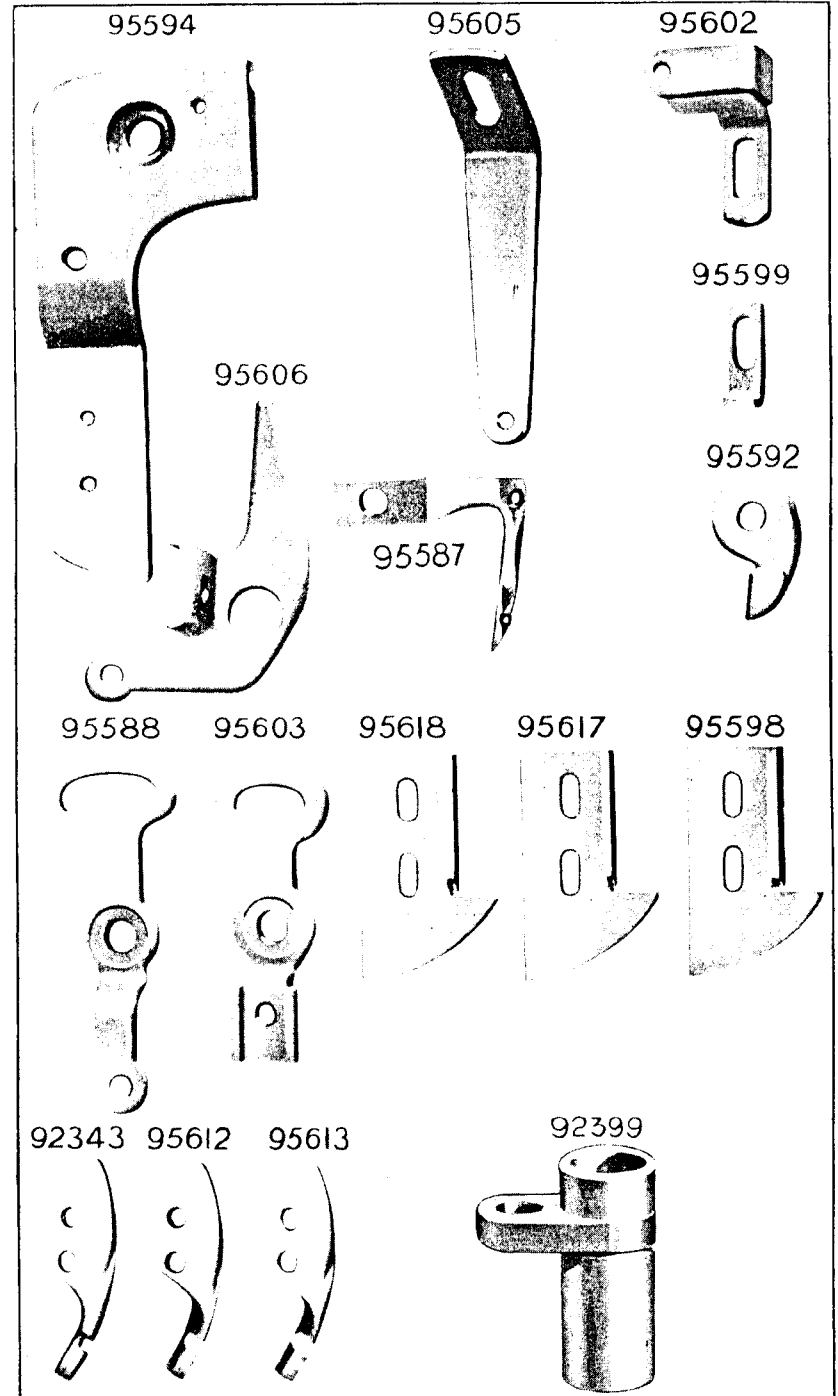
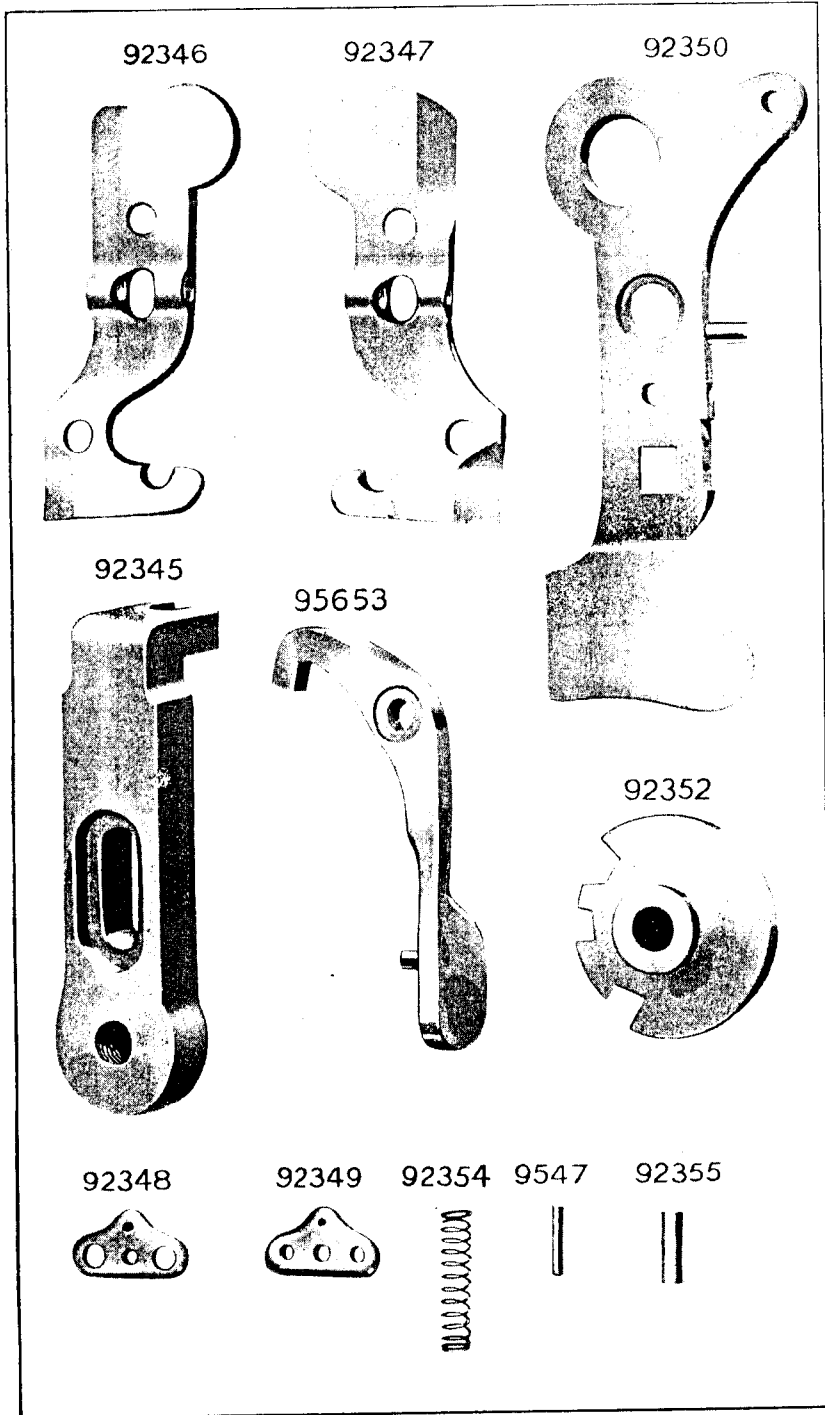
95622

1094



225258





CONTENTS

	Page
Accessories	39
Foot Lever	40
Mock Seam Swing Guide	39
Parts Complete for No. 46K50 Machine	29
" Special to No. 46K51 Machine	35
" " " " 46K52	36
Thread Unwinder	40

INSTRUCTIONS FOR ORDERING

In ordering from this List, the prefix and affix letters with the part number **MUST BE** quoted exactly as they are shown in the first column.

A number always indicates the same part in whatever List it may appear, or for whatever machine.

The affix letters (where shown) indicate the style of finish, as follows:

- A. Hardened, Polished, Nickel Plated and Buffed.
- A.A. Buffed and Chromium Plated.
- A.B. Hardened, Polished, Buffed and Chromium Plated.
- A.C. Brown Baking Enamel Finish.
- A.D. Grey Baking Enamel Finish.
- A.E. Hardened, Bright Rumbled and Nickel Plated.
- A.F. Hardened, Bright Rumbled and Nickel Plated, Bright Rumbled and Chromium Plated.
- A.J. Polished, Nickel Plated and Chromium Plated.
- A.K. Hardened, Polished, Nickel Plated and Chromium Plated.
- A.L. Heat Treated for Toughness.
 - B. Polished, Nickel Plated and Buffed.
 - C. Hardened only.
- C.R. Hardened and Merlized.
 - D. Polished only.
 - E. Soft, not Polished.
 - F. Hardened and Polished.
- F.J. Hardened, Polished and Nickel Plated.
- G. Bright Rumbled and Nickel Plated.
- H. Blued.
- J. Nickel Plated only.
- K. Hardened and Nickel Plated.
- L. Brass Plated.
- M. Oxidized.
- N. Japanned, Dull.
- P. Japanned, Bright.
- P.P. Wrinkle Finish.
- R. Merlized.
- S. Cadmium Plated.
- T. Copper Plated.
- T.A. Hardened, Polished, Copper and Nickel Plated and Buffed.
- T.B. Copper and Nickel Plated and Polished.
- T.J. Copper and Nickel Plated only.
- T.K. Hardened, Copper and Nickel Plated.
- T.L. Copper and Brass Plated.
- T.M. Copper Plated and Oxidized.
 - U. Zinc Plated.
 - V. Silver Plated.
- W. Polished and Nickel Plated.
- X. Black Oxide for Iron and Steel.
- X.C. Hardened and Black Oxide for Iron and Steel.
- Y. Black Nickel Plated only.
- Z. Chromium Plated.
- Z.A. Hardened, Polished, Nickel Plated, Buffed and Chromium Plated.
- Z.B. Polished, Nickel Plated, Buffed and Chromium Plated.
- Z.C. Hardened and Chromium Plated.
- Z.D. Polished and Chromium Plated.
- Z.G. Bright Rumbled, Nickel Plated, Bright Rumbled and Chromium Plated.
- Z.J. Nickel and Chromium Plated.
- Z.T. Copper and Chromium Plated.

Parts marked with an asterisk () are furnished only when the repairs are made at Factory.*

Parts Complete for No. 46K50 Machine

High Speed, for Power ; Two-Thread Chain Stitch ; Positive Feed from right to left. For Seaming Knit Goods and Hosiery.

No.	Plate							
92334	1780	Balance Hand Wheel	with two 418c	
	418c	"	"	"	Set Screw	
92335	1780	Balance Wheel	with two 418c	
92600	1773	"	"	Crank Shaft	
92498	1773	"	"	"	"	Bush	...	
92499	1778	"	"	"	"	"	Felt Pad...	
	416c	"	"	"	"	"	Set Screw	
	448c	"	"	"	"	"	Set Screw	
92336	1780	Cover Plate	
SS45d	1784	"	"	Binding Screw (2)	
2049	1778	"	"	Dowel Pin (2)	
12454	1778	"	"	Oil Tube (right)	
92402	1783	"	"	"	"	(centre)	...	
52084	1778	"	"	"	"	(left)	...	
92337		Cover Plate, complete,	Nos. 431c, 2171, 227c, SS362c, 1245C, 52084, 92336, 92402, 95163 to 95466, 95588, 95604, (two each 107b, 1560d, 50053b, 84113, 92563 and four 2102	
92599	1773	Feed Adjusting Lever	
193f	1784	"	"	"	Base Stop Screw	
307c	1784	"	"	"	Screw Centre (2)	
1513j	1784	"	"	"	"	"	Nut (2)	
3100	1778	"	"	"	Spring	
1560d	1784	"	"	"	"	"	Adjusting Thumb Nut	
92301	1775	"	"	"	"	"	Screw Spindle with 82216	
82216	1778	"	"	"	"	"	"	Position Pin
92583	956	Feed Bracket	
SS383e	956	"	"	"	Adjusting Screw Stud	
1677c	956	"	"	"	"	"	Nut	
190d	956	"	"	"	"	"	Stop Screw	

No.	Plate					
92382	1777	Feed Bracket Gear (16 teeth) with 1259c
92383	1777	" " " (19 ") "	1259c
92584	957	" " " (22 ") "	1259c
92585	957	" " " (33 ") "	1259c
92393	1777	" " " (40 ") "	1259c
92394	1777	" " " (44 ") "	1259c
1259c	1784	" " " Set Screw
<p><i>NOTE.</i> - Feed Bracket Gears Nos. 92584 and 92585 are sent with this machine unless otherwise specified on order.</p> <p>Gears 92394 and 92590 give 4½ stitches per inch.</p> <p>" 92393 " 92590 " 5½ " " "</p> <p>" 92585 " 92590 " 7 " " "</p> <p>" 92585 " 92591 " 9 " " " "</p> <p>" 92581 " 92590 " 11 " " " "</p> <p>" 92584 " 92591 " 13 " " " "</p> <p>" 92383 " 92591 " 15 " " " "</p> <p>" 92382 " 92591 " 18 " " " "</p>						
92571	1778	Feed Bracket Oil Tube
92586	956	" " Shaft
92587	956	" " Collar with 1258c
1258c	956	" " Set Screw
92588	956	" " Washer
92392	...	Feed Bracket, complete, Nos. 190d, 92583, 92586, 92587, 92592 and 92593
*92338	1779	Feed Bracket (front)
4389	1778	" " (") Dowel Pin (2)
134d	1784	" " (") Screw (2)
92339	...	Feed Bracket (front), complete, Nos. 690f, 92338, 9560f and two 453c
92570	1777	" " (") Stud
199f	1784	" " (") End Position Screw
316c	1784	" " (") Raising Set Screw
445c	1784	" " (") Set Screw
92340	1783	" " (") Thread Guide (front)
193f	1784	" " (") " " (") Screw
92341	1783	" " (") " " (centre)
330d	1784	" " (") " " (") Screw
92342	1783	" " (") " " (back)
330d	1784	" " (") " " (") Screw
92589	956	Feed Shaft (upright)
92590	957	" " (") Gear (60 teeth) with 1036c
92591	957	" " (") " (75 ") " 1036c
1036c	956	" " (") Set Screw
92592	957	" Spiral with two 465c
465c	956	" Set Screw
92593	957	" Wheel with 1259c
1259c	1784	" Set Screw

No.	Plate					
92507	1775	Feeding Disc (front, coarse)
95629	1775	" " (" fine)
92508	1775	" " (back, coarse) with 451c
95621	1776	" " (" fine) with 451c
451c	1784	" " (") Set Screw
<p><i>NOTE.</i> Nos. 92507 and 92508 are supplied with this machine, unless fine feeding discs are specified on order.</p>						
92343	2437	Feeding Disc (back) Edge Guide
92362	1777	" " (") " " Bracket
205f	1784	" " (") " " Screw (2)
220d	1784	" " (") " " Screw
92344	...	Feeding Disc (back) Edge Guide, complete, Nos. 92343, 92362 and two 220d
92344	1808	Feeding Disc Stripper (for back feeding disc)
330d	1784	" " " Screw (for back feeding disc) (2)
*92357	...	Head (of Machine) with 15104 and two 15105
SS32f	1785	" (" ") Binding Screw (4)
95587	2437	Looper
193f	1784	" Binding Screw
92536	1778	" Holder
92538	1778	" " Connecting Link
996c	1784	" " " " Hinge Screw
SS375c	1784	" " " " " " (eccentric)
904c	1784	" " " " " " Set Screw
1517c	1784	" " " " " " Nut for SS375c and 996c
92537	1778	" " Stud
453c	1784	" " " Set Screw
95588	2437	" Thread Controller Thread Guide (adjustable)
107b	1785	" " " " Hinge Screw
50053b	1784	" " " " Thumb Screw
92325	1777	Loop Spreader
175f	1784	" " Binding Screw
95589	1783	" " Holder with 904c
92543	1773	" " " Crank Connecting Rod with 92544 and two 896d
*92544	...	" " " " " Cap
896d	1784	" " " " " " Screw
95590	1783	" " " " " Stud
1120c	1784	" " " " " Set Screw
SS527c	1784	" " " " " Hinge Screw Stud
1650c	1785	" " " " " Nut
SS367c	1784	" " " " " Oil Feed Screw
92399	2437	" " " " " Rocking Bracket
92542	1778	" " " " " Stud
453c	1784	" " " " " Set Screw

1/50
4/50

1/50

No.	Plate						
95591	-	Machine Base					
525b	1778	"	Hinge Bolt
1518e	1784	"	"	"	Nut
2807	1778	"	"	"	"	Washer	...
8294	1778	"	"	"	"	Connection	...
8295		"	"	"	"	Hinge Pin	...
8306b		"	"	"	"	Nos. 525b, 8294 and 8295	...
8292b	1778	Machine Hinge, complete, Nos. 1518e, 2807 and 8306 (2) ...					
95385	1774	Needle Bar					
92559	1777	"	"	Bush
446e	1784	"	"	"	"	Set Screw	...
95386	1774	"	"	"	"	Clamp	...
193f	1784	"	"	"	"	Binding Screw	...
95387	1774	"	"	"	"	"	Washer
92549	1777	"	"	"	"	Connection with 175f and 223e	...
175f	1784	"	"	"	"	Binding Screw	...
42055	1777	"	"	"	"	Link	...
40247	1777	"	"	"	"	"	Stud (2)
223e	1784	"	"	"	"	"	Set Screw
92553	1777	"	"	"	"	Crank Connecting Rod with 92554 and two 171e	...
*92554	-	"	"	"	"	"	Cap
171e	1784	"	"	"	"	"	Screw
40247	1777	"	"	"	"	"	Stud
223e	1784	"	"	"	"	"	Set Screw
197d	1784	"	"	"	"	"	Needle Set Screw
92551	1777	"	"	"	"	Rock Lever with 191e and two 223e	...
191e	1784	"	"	"	"	"	Set Screw
92552	1777	"	"	"	"	"	Stud
95592	2437	"	"	"	"	Thread Guide	...
1226d	1785	"	"	"	"	"	Screw
95593	-	Needle Bar, complete, Nos. 193f, 197d, 1226d, 95385 to 95387 and 95592					
95594	2437	Needle Guide					
95630	1808	"	"	"	"	Chaining Finger	...
95631	1808	"	"	"	"	"	Holder (hinged)
208b	1784	"	"	"	"	"	Adjusting Screw
95626	1808	"	"	"	"	"	Bracket (hinged)
50435b	1785	"	"	"	"	"	Hinge Screw
19054	1783	"	"	"	"	"	"
							Spring Washer
95633	-	"	"	"	"	"	(hinged) complete, Nos. 228b, 95624, 95626, 95630, 95632, two each 208b and 662b

No.	Plate						
95622	1808	Needle Guide Chaining Finger Holder Hinge Block					
208b	1784	"	"	"	"	"	"
95623	1808	"	"	"	"	"	"
95624	1808	"	"	"	"	"	"
228b	1784	"	"	"	"	"	"
95632	1808	"	"	"	"	"	"
							(hinged) complete, Nos. 95622, 95623 and 95631
662b	1784	"	"	"	"	"	Screw
95598	2437	"	"	"	"	"	Edge Guide
233b	1784	"	"	"	"	"	Screw (2)
173c	1784	"	"	"	"	"	Position Screw
95599	2437	"	"	"	"	"	Stop
233b	1784	"	"	"	"	"	Screw
95634	-	Needle Guide, complete, Nos. 19054, 50435b, 95594, 95598, 95599, 95633 and three 233b					
SS518k	1808	Needle Guide Binding Screw					
95601	1779	"	"	"	"	"	Support Bracket (adjustable)
690f	1784	"	"	"	"	"	Binding Screw
95602	2437	Needle Thread Controller Thread Guide (adjustable) ...					
95603	2437	"	"	"	"	"	Carrier
407b	1785	"	"	"	"	"	"
50053b	1784	"	"	"	"	"	"
							Flange
228d	1784	"	"	"	"	"	"
							Screw
95604	-	Needle Thread Controller Thread Guide, complete, Nos. 228d, 95602 and 95603					
95605	2437	Needle Thread Guide					
193d	1784	"	"	"	"	"	Screw
707f	1778	"	"	"	"	"	Washer
2102	1778	Tension Disc					
84113	1783	"	"	"	"	"	Washer (Leather)
95463	1783	"	"	"	"	"	Release
95465	1783	"	"	"	"	"	Rod
227c	1784	"	"	"	"	"	Set Screw
95464	1783	"	"	"	"	"	Spring
SS362e	1784	"	"	"	"	"	Screw Stud
1560d	1784	"	"	"	"	"	Nut
131e	1784	"	"	"	"	"	Set Screw
92563	1778	"	"	"	"	"	Spring

No.	Plate							
95606	2437	Thread Controller
217f	1784	"	"	Screw
95466	1783	Thread Guide (for Cover Plate)
217f	1784	"	"	(" " ") Screw
92345	2436	Uncurling Guide Adjusting Bracket
1444b	1785	"	"	"	Adjusting Screw
50591b	1785	"	"	"	Locking Screw
92346	2436	"	"	"	Plate (front)
92347	2436	"	"	"	(back)
SS358b	1784	"	"	"	Guide Screw
NN71b	1784	"	"	"	"	"	"	Nut
SS525b	1785	"	"	"	"	"	"	Hinge Screw Stud
92348	2436	"	"	"	"	"	"	Bracket (right)
92349	2436	"	"	"	"	"	"	Bracket (left)
9547	2436	"	"	"	"	"	"	Bracket Pin
220b	1784	"	"	"	"	"	"	Bracket Screw
SS357b	1784	"	"	"	"	"	"	Screw Stud
220b	1784	"	"	"	"	"	"	Set Screw
1674a	1785	"	"	"	"	"	"	Thumb Nut
92398	1778	"	"	"	"	"	"	Spring
SS45f	1784	"	"	"	"	"	"	Binding Screw
92350	2436	"	"	"	"	"	"	Body with 92355
92351	1780	"	"	"	"	"	"	Bracket
92352	2436	"	"	"	"	"	"	Position Disc
SS526k	1785	"	"	"	"	"	"	Screw
95653	2436	"	"	"	"	"	"	Lever with 92355
50435b	1785	"	"	"	"	"	"	Hinge Screw
92354	2436	"	"	"	"	"	"	Spring
92355	2436	"	"	"	"	"	"	Pin
92356	1780	Uncurling Guide (adjustable), complete, Nos. SS45f, NN71b, SS357b, SS358b, SS526k, 1444b, 50435b, 50591b, 92345 to 92352, 92351, 92398, 95653, two each SS525b, 1674a, 9547 and three 220b
*15404	--	Trade Mark
15405	—	"	"	Rivet

Parts Special to No. 46K51 Machine

High Speed, for Power; Two-Thread Chain Stitch; Positive Feed from right to left, both Feeding Discs positively driven. For Seaming Knit Goods and Hosiery.

This Machine is the same as No. 46K50, with the following exceptions:

No.	Plate							
95369	1778	Feed Bracket (front) Bush
445c	1784	"	"	(" ")	"	"	"	Set Screw

NOTE: Feed Bracket Gear, Nos. 92584 and 92585 are sent with this machine unless otherwise specified on order.

Gears 92391 and 95370 give $1\frac{1}{2}$ stitches per inch.

"	92393	"	95370	"	5 $\frac{1}{2}$	"	"	"
"	92585	"	95370	"	7	"	"	"
"	92585	"	95371	"	9	"	"	"
"	92584	"	95370	"	11	"	"	"
"	92584	"	95371	"	13	"	"	"
"	92383	"	95371	"	15	"	"	"
"	92382	"	95371	"	18	"	"	"

95370	1774	Feed Shaft (upright) Gear (60 teeth) with 1036c and 95372
95371	1774	"	"	(" ")	"	"	"	1036c
95372	1774	"	"	(" ")	"	"	"	Driving Pin

95607	1783	Feeding Disc (front, coarse) with 15K ^{AL}	11/80
95620	1776	"	"	(" ")	fine) with 45K ^{AL}	1/20
454c	1784	"	"	(" ")	Set Screw
92508	1775	"	"	(back, coarse) with 15K ^{AL}	11/80
95624	1776	"	"	(" ")	fine) with 45K ^{AL}	11/80

NOTE: Nos. 92508 and 95607 are supplied with this machine, unless fine feeding discs are specified on order.

95376	1776	Feeding Disc Gear
95377	1773	"	"	Shaft
92203	1783	"	"	"	Collar with 456 ^{AL}	11/80
456c	1784	"	"	"	Set Screw
95378	1776	"	"	"	Gear with two 196K ^{AL}	5/8
for 196K ^{AL}	1784	"	"	"	Set Screw
92364	1808	"	"	"	Stripper (for front feeding disc)
1094d	1808	"	"	"	Screw (for front feeding disc)

*95608		Head (of machine) with 15404 and two 15405
95609		Machine Base

Parts Special to No. 46K52 Machine

High Speed, for Power; Two-Thread Chain Stitch; Positive Feed from right to left, both Feeding Discs positively driven. For Fine Hosiery Seaming and Mock Seaming.

This Machine is the same as No. 46K50, with the following exceptions:

No.	Plate						
92381	1773	Balance Wheel Crank Shaft
95369	1778	Feed Bracket (front) Bush
445c	1784	" " (") " Set Screw
95610	1783	Feed Bracket Gear (14 teeth) with 1259c
95611	1783	" " " (15 ") " 1259c
92382	1777	" " " (16 ") " 1259c
92383	1777	" " " (19 ") " 1259c
92584	957	" " " (22 ") " 1259c
NOTE: Feed Bracket Gears Nos. 92382, 92383 and 92584 are sent with this machine unless otherwise specified on order.							
<i>Gears 92581 and 95371 give 13 stitches per inch.</i>							
"	92383	"	95371	"	15	"	"
"	92382	"	95371	"	18	"	"
"	95611	"	95371	"	20	"	"
"	95610	"	95371	"	22	"	"
95371	1774	Feed Shaft (upright) Gear (75 teeth) with 1036c and 95372...
95372	1774	" " (") " Driving Pin
95620	1776	Feeding Disc (front, fine) with 156^{AL}	1/2
454c	1784	" " (") Set Screw
95621	1776	" " (back, fine) with 156 ^{AL}	1/2
95612	2437	" " (") Edge Guide (.04" thick)
95613	2437	" " (") " " (.05" thick)
95614	---	Feeding Disc (back) Edge Guide, complete, Nos. 92362, 95613 and two 220d
95376	1776	Feeding Disc Gear	1
95377	1773	" " Shaft
92203	1783	" " " Collar with 156 ^{AL}	1/2
456 ^{AL}	1784	" " " " Set Screw	1/2
95378	1776	" " " Gear with two 196f
196f	1784	" " " " Set Screw
92364	1808	" " Stripper (for front feeding disc)
1094d	1808	" " " Screw (for front feeding disc)

PARTS SPECIAL TO No. 46K52 MACHINE

No.	Plate						
*95608		Head (of machine) with 15404 and two 15405
95628	1808	Looper
92546	1777	Loop Spreader
95609		Machine Base
95615	1808	Needle Guide Chaining Finger
95616	1808	" " " " Holder (hinged)
95627		" " " " Bracket (hinged), complete, Nos. 228b, 95615, 95624 to 95626, two each 208b and 662b
95625	1808	" " " " Holder (hinged), complete, Nos. 95616, 95622 and 95623
95617	2437	" " Edge Guide (.04" thick)
95618	2437	" " " " (.05" thick)
95619		Needle Guide, complete, Nos. 19054, 50135b, 95594, 95599, 95618, 95627 and three 233b
95635		Needle Thread Guide (adjustable)

Accessories

No.	Plate	
SS563	1773	Bench Screw $3\frac{21}{32}$ " long, for $1\frac{1}{8}$ " Table (2)
95655		" " Spring (2)
9842		" " Washer (2)
95654		Machine Base Pad (felt) $11\frac{1}{8}$ " x $1\frac{1}{4}$ " x $\frac{3}{4}$ " (2)
165-21		Needles (6), two each sizes 19, 21 and 22, for 46K50 and 46K51 Machines
215-21		Needles (6), three each sizes 11 and 14, for 46K52 Machine ...
36569	1355	Oiler
25537	1355	Screw Driver
86405	1355	Tweezers
8009	1780	Wrench for 1677

Mock Seam Swing Guide

FOR LADIES' STOCKINGS

for use with No. 46K52 Machine.

No.	Plate	
86528		Base
		" Screw (Wood) 1" No. 12
86529		Blade (broad)
86530		" (narrow)
86531		" Bracket with two each 423c, 1520r and 86533
1535d		" " Height Adjusting Thumb Nut
86532		" " Spindle
92587	956	" " " Collar
458AL		" " " Set Screw
423c		" " Swing Adjusting Screw
1520r		" " " " " Nut
86533		" Position Pin
SS192d		" Thumb Screw
86534		Hinge Bracket with SS367d and two 458AL
86535		" " Spindle
50145c		" " " Position Screw
86536		" " Spring
SS367d	1784	" " " Stop Screw
86573		Stop
86527		Mock Seam Swing Guide , complete, Nos. 1535d, 50145c, 86528 to 86532, 86534 to 86536, 86573, 92587, two SS192d, and four Wood Screws 1" No. 12

Thread Unwinder

For Two Spools of Thread.

No.	Plate						
225257	2213	Spool Rest with 201018c
150203		" " Cushion (felt)
225388	2213	" " Rod
200383c	1784	" " " Set Screw
201018c	1784	" " Set Screw
202490	2213	" Stand with 200383c
225391	2213	Thread Guide
201696j	1784	" " Lock Nut
225326	-	" " Position Cup
225324	2213	" " Rod with 208c and 225322
208c	1784	" " " Screw
225322	-	" " " Washer
225258	2213	Thread Unwinder , complete, Nos. 201696j, 202490, 225257, 225324, 225326, 225388, two each 150203, 225391 and three Wood Screws $\frac{3}{4}$ " No. 12
27739	...	Thread Cone (woody) for large cones
225390	-	" " Holder for inverted cones

NOTE: Nos. 27739 and 225390 are used with, but not included in 225258.

Foot Lever

The undernoted parts are included in the equipment of each Machine.

No.	Plate						
91296	915	Foot Lever
92567	915	" " Bracket
91298	1778	" " " Hinge Pin
		" " " Screw (Wood) $1\frac{1}{4}$ " No. 15
92578	915	Foot Lever , complete, Nos. 92567, two each 91296, 91298 and five Wood Screws $1\frac{1}{4}$ " No. 15
39569	-	" " Chain, 45" long, with 39575 and 39576
39575	1775	" " " Hook (lower)
39576	1775	" " " " (upper)
92568	-	Combination Feeding Disc Opener and Driving Foot Levers , complete, Nos. 92578 and two 39569