

MR. F. A. PARK

Price List of Parts

TECHNICAL COPY
DO NOT REMOVE

Numbers

7-11

7-13

7-15

7-23

Machines.



THE SINGER MANUFACTURING CO.

INDEX.

	PAGE
No. 7-11 Machine.....	4
No. 7-13 ".....	14
No. 7-15 ".....	20
No. 7-23 ".....	21
Accessories.....	11 & 19
Belt Shifter.....	20
Bobbin Winder.....	21
Driving Attachment.....	10
Foot Lifter.....	10
Numerical List.....	23
Obsolete Parts 7-11 Machine.....	11
" " 7-12 ".....	12
" " 7-13 ".....	19

List of Parts

NUMBERS

7-11, 7-13, 7-15 & 7-23

MACHINES.

In ordering from this list, use **ONLY** the **PART** number, in the first column.

Each number always indicates the **SAME PART** in whatever list it appears, or for whatever machine.

The letters after some of the numbers indicate the style of finish only, as follows:

- A. Hardened, Polished and Plated.
- B. Polished and Plated.
- C. Hardened only.
- D. Polished "
- E. Soft, not Polished.

These letters **MUST BE USED** *when* they appear in the list, and **AFTER** the number, *as* in the list.

In this series

- 1 to 1500 are Screw Numbers.
- 1501 " 1800 " Nut "
- 1801 " 2000 " Roller "
- 2001 and upward are numbers of Machine Parts.

The figures in the second column refer only to the plates, illustrating the parts, and are **NOT TO BE USED** in ordering.

Parts marked with an asterisk (*) are furnished only when repairs are made at factory.

PARTS COMPLETE FOR

7-11 MACHINE.

DROP FEED, REVERSIBLE 1-INCH STITCH, GUIDE FOR SINGLE STRIP FOR BOOK WORK, WITH SINGER DRIVING ATTACHMENT, AND FOOT LIFTER.

No.	Plate.	Name.	Each.	Old No.
*11584	—	Arm (solid)	18	50
8702	887	" Dowel Pin	15	3
872E	900	" Screw	10	
11585	838	" Shaft	7	00
11354	830	" " Bushing	75	5
437C	899	" " " Set Screw	04	
11913	825	" Side Cover	25	
65D	899	" " " Screw	15	
8708	827	" Spool Pin	05	72
11438	896	Balance Wheel with two 354c. See Singer Driving Attachment	—	—
NOTE.—When this Machine is run on Foot Power Stand, use 11358. Balance Wheel (two speed), with two 354c. Old No. 8. \$2.50.				
*11359	—	Bed	18	50
11361	894	" Foot Bracket (left)	10	
11360	894	" " " (right)	10	
507E	898	" " " Bolt with 1515	02	
1515	890	" " " Nut	01	
670E	802	" Front Bearing Clamping Screw	06	
11680	840	Cloth Plate	1	25
389	901	" " Screw	04	
11363	825	Crank Connecting Rod	1	25 206
*11364	—	" " " Cap	—	—
145E	899	" " " " Screw	04	
565C	898	" " " Hinge Screw	15	
1513	890	" " " " " Nut	05	
19503	841	Feed Bar	2	25
307C	898	" " Screw Centre	06	
1513	890	" " " Nut	05	
11589	—	" Cam	1	25
11590	843	" " 11589 with 155E, 761C and 11591	1	75
11591	843	Feed Cam Clutch	50	
155E	901	" " " Screw	03	
761C	900	" " Position Screw	03	
11368	830	" Connecting Link	35	16
565C	898	" " " Hinge Screw	15	
1513	890	" " " " " Nut	05	

No.	Plate	Name	Each	Old No.
11592	844	Feed Dog	2	00
166D	899	" " Screw	07	
11593	838	" Forked Connection	2	00 157
19504	847	" " " Friction Spring	75	
869D	901	Feed Forked Connection Friction Spring Screw	05	
1520	905	Feed Forked Connection Friction Spring Screw Nut	03	
565C	898	Feed Forked Connection Hinge Scr.	15	
1513	890	" " " " " Nut	05	
11594	863	Feed Lifting Rock Shaft	1	40
11595	—	" " " " 11594 with 11597	2	40
11596	—	Feed Lifting Rock Shaft Crank	60	
11597	861	" " " " " 11596 with 1866	1	00
2117	890	Feed Lifting Rock Shaft Crank Pin	01	23
1866	900	" " " " " Roller with 372C and 1518	35	
372C	898	Feed Lifting Rock Shaft Crank Roller Screw	12	
1518	890	Feed Lifting Rock Shaft Crank Roller Screw Nut	04	
453C	899	Feed Lifting Rock Shaft Crank Set Screw	02	
564C	898	Feed Lifting Rock Shaft Ser. Centre	12	
1508	890	" " " " " Nut	06	
11375	830	Feed Regulator	60	208
568E	898	" " Hinge Screw	15	
254D	902	" " Thumb Screw	40	
11915	841	" Reverse Lever	50	
19505	841	" " " 11915 with 3146 and 19507	60	
19506	861	Feed Reverse Lever Bracket	40	
129E	901	" " " " Screw	04	
11914	839	" " " Connection	40	
58D	899	" " " " Hinge Screw (lever end)	15	
65D	899	Feed Reverse Lever Connection Hinge Screw (switch clutch end)	15	
19507	—	Feed Reverse Lever Handle	05	
3146	889	" " " " Washer	01	343
58D	899	" " " Hinge Screw	15	
8800	890	" " " Stop Washer	06	90
161D	901	" " " " Scr.	04	
11846	839	" " Stop Lever	1	50
19508	841	" " " Bracket	60	
134D	900	" " " " Scr.	06	
19509	—	" " " Cushion (rawhide)	03	

No.	Plate	Name	Each	Old No.
233D	901	Feed Reverse Stop Lever Cushion Screw.....	02	—
567D	898	Feed Reverse Stop Lever Hinge Ser..	15	—
1892	900	" " " " Roller and Screw Stud.....	30	—
1518	890	Feed Reverse Stop Lever Roller and Screw Stud Nut.....	04	—
19510	886	Feed Reverse Stop Lever Spring....	05	—
19511	861	" " " " " Hook	03	—
82D	905	" " " " " Scr..	05	—
11598	838	" Rock Shaft.....	1 75	—
11599	—	" " " 11598 with 11601....	2 50	—
11601	839	" " " Crank with 445c....	75	—
8873	887	" " " " Pin.....	05	81
445c	900	" " " " Set Screw....	03	—
564c	898	" " " Screw Centre.....	12	—
1508	890	" " " " " Nut...	06	—
11402	828	Lifting Presser Bar.....	1 00	49
19512	842	" " " 11402 with 2049 and 19517.....	1 25	—
11463	851	Lifting Presser Bar Guide Bracket with 159 and 453c.....	2 00	—
159	899	Lifting Presser Bar Guide Bracket Adjusting Screw.....	03	—
11405	830	Lifting Presser Bar Guide Bracket Guide.....	50	53
381D	899	Lifting Presser Bar Guide Bracket Guide Screw.....	06	—
453c	899	Lifting Presser Bar Guide Bracket Set Screw.....	02	—
11908	—	Lifting Presser Bar Lifter.....	1 00	—
11909	830	" " " " 11908 with 8761 and 8763.....	1 25	—
8760	888	Lifting Presser Bar Lifter Friction Washer.....	03	56
16D	899	Lifting Presser Bar Lifter Hinge Ser.	20	—
8761	890	" " " " Stop Pin..	05	55
1190C	827	" " " Lifting Link....	50	—
353c	899	" " " " " Cap Screw.....	12	—
8763	890	Lifting Presser Bar Lifting Link Hinge Stud.....	25	152
7958	890	Lifting Presser Bar Lifting Link Hinge Stud Pin.....	01	—
8765	890	Lifting Presser Bar Lifting Link Hinge Stud Washer.....	04	154
258D	899	Lifting Presser Bar Screw Bushing..	20	—
11409	827	" " " Spring.....	15	50
11411	887	" " " " Collar with 453c.....	10	—
453c	899	Lifting Presser Bar Spring Collar Set Screw.....	02	—

No.	Plate	Name	Each	Old No.
11380	828	Needle Bar.....	1 00	35
11381	830	" " Connecting Link.....	80	238
566c	898	" " " " Hinge Screw.....	15	—
1513	890	Needle Bar Connecting Link Hinge Screw Nut.....	05	—
11383	887	Needle Bar Connecting Stud with two 445c.....	1 25	36
445c	900	Needle Bar Connecting Stud Set Scr.	03	—
258D	899	" " Screw Bushing.....	20	—
11847	888	" Clamp with 245 and 11385....	75	—
11385	890	" " Gib.....	15	40
245	899	" " Set Screw.....	03	—
11497	—	Oil Cup.....	80	—
11917	—	" " Cover.....	25	—
9084	889	" " " Hinge Pin.....	02	—
2205	887	" " " Latch Spring.....	04	296
207	901	" " " " " Screw.....	02	—
135D	899	" " Screw.....	05	—
11919	888	" " Thread Eyelet.....	05	—
8953	—	" or Wax Stripper (felt).....	03	297
5480	887	" " " " Washer (steel) for 11497.....	01	—
11918	888	Oil or Wax Stripper Washer (steel) for 11917.....	03	—
207	901	Oil or Wax Stripper Washer Screw..	02	—
11921	825	" Cup complete, Nos. 2205, 5480, 9084, 11497, 11917, 11918, 11919, two 8953 and three 207.....	1 25	—
11841	827	Oscillating Rock Shaft (steel).....	1 75	—
11398	827	" " " Hinge Pin....	75	256
1508	890	" " " " " Nut.....	06	—
622c	899	Oscillating Rock Shaft Hinge Pin Screw Bearing.....	15	—
1508	890	Oscillating Rock Shaft Hinge Pin Screw Bearing Nut.....	06	—
11165	897	Oscillating Rock Shaft Oil Pad.....	01	—
11842	—	" " " 11841 with 622c, 11165, 11398 and two 1508... 2	75	—
11850	825	Oscillating Shaft.....	1 25	—
11393	887	" " Collar with two 453c	10	354
453c	899	" " " Set Screw....	02	—
11848	—	" " Crank.....	30	—
11849	830	" " " 11848 with 453c, 1513 and 1885.....	75	—
2117	890	Oscillating Shaft Crank Pin.....	01	23
1885	900	" " " Roller and Stud.....	40	—
1513	890	Oscillating Shaft Crank Roller and Stud Nut.....	05	—

No.	Plate	Name	Each	Old No.
190	899	Oscillating Shaft Crank Roller Cap Screw.....	03	
5968	887	Oscillating Shaft Crank Roller Cap Screw Washer.....	02	
453o	899	Oscillating Shaft Crank Set Screw....	02	
11949	839	Presser Bar.....	1 00	
11634	—	" " Guide Bracket.....	1 25	
11635	886	" " " " 11634 with 446c, 11470 and two 190.....	1 50	
11470	851	Presser Bar Guide Bracket Cap.....	20 92	
190	899	" " " " " Screw	03	
2117	890	" " " " " Pin.....	01 23	
446c	899	" " " " " Set Screw	03	
164D	899	" " Hinge Cap Screw.....	04	
8800	890	" " " " " Washer	06 90	
11637	861	" Foot.....	1 75	
191o	899	" " Screw.....	03	
252D	898	Pressure Regulating Thumb Screw..	40	
11851	833	Shuttle (cylinder), 3-in. diam., with 11910.....	6 00	
11910	833	Shuttle Bobbin (solid and hardened).	25	
11852	833	" Cylinder.....	2 50	
8961	833	" " Hinge Pin.....	02 63	
11853	833	" " Latch.....	15	
12002	833	" " " Pin.....	01	
11854	833	" " " Spring.....	03	
590R	901	" " " " Screw..	02	
11856	830	" Driver with 453o.....	1 75	
2117	890	" " Pin.....	01 23	
453o	899	" " Set Screw.....	02	
11855	833	" Frame.....	2 75	
11832	830	" Race Back.....	1 00	
11833	889	" " Dowel Pin.....	01	
11834	830	" " " Spring..	25	
32D	901	" " " " Screw.....	15	
11835	—	" " Body.....	2 75	
11837	825	" " Frame with 11838.....	2 00	
11838	889	" " " Position Pin....	03	
11836	825	" " complete, Nos. 32D, 11832, 11834, 11835 and two 11833..	4 00	
135D	899	Shuttle Race Screw.....	05	
773o	901	" Tension Regulating Screw....	05	
8964	833	" " Spring.....	40 360	
11627	843	Strip Guide (left).....	50	
11626	843	" " (right).....	50	
96D	901	" " Screw.....	05	
11607	843	Switch Clutch.....	2 00	
11608	871	" " Driver.....	50	
159o	899	" " " Screw.....	03	
161R	901	" " Driving Screw.....	04	

No.	Plate.	Name.	Each.	Old No.
11610	843	Switch Clutch Lever with 1813.....	70	—
11611	871	" " " Bracket.....	25	—
145D	899	" " " " Screw..	04	—
65E	899	" " " Hinge Screw....	15	—
1813	899	" " " Roller and Stud	20	—
11612	871	" " Key.....	10	—
11421	887	Tension Bracket.....	50 76	
190	899	" " Screw.....	03	—
11423	888	" Friction Washer (steel).....	03 75	
8879	887	" " " (felt).....	01	—
1560	890	" Regulating Thumb Nut.....	04	—
8905	887	" " " " Washer.....	01 361	
411D	898	Tension Screw Stud.....	25	—
11422	888	" Spring.....	10 74	
11044	897	" Wheel.....	75	—
11420	—	" (wheel) complete, Nos. 411D, 1560, 8905, 11044, 11422, 11423 and two 8879.....	1 20	—
11950	888	Thread Eyelet for 11044.....	05	—
2102	888	" Retainer Disc.....	05 84	
1560	890	" " Regulating Thumb Nut.....	04	—
8905	887	Thread Retainer Regulating Thumb Nut Washer.....	01 361	
686D	902	Thread Retainer Screw Stud.....	25	—
2103	888	" " Spring.....	03 85	
11041	—	" " complete, Nos. 686D, 1560, 2103, 8905 and two 2102.....	45	—
19513	842	Thread Take-up Cam with 434c.....	5 00	—
8873	887	" " " Pin.....	05 81	
434o	899	" " " Set Screw....	04	—
11844	—	" " Lever.....	1 20	—
11845	856	" " " 11844 with 1845..	1 50 321	
567D	898	" " " Hinge Screw ..	15	—
1845	899	" " " Roller and Ser. Stud.....	30	—
1518	890	Thread Take-up Lever Roller and Ser. Stud Nut.....	04	—
11052	887	Thread Take-up Spring.....	08	—
11431	888	" " " Regulator Plate.....	10 83	
190	899	Thread Take-up Spring Regulator Plate Adjusting Screw.....	03	—
19514	—	Throat Plate Body.....	1 25	—
19515	—	" " Needle Hole Strip.....	50	—
401D	899	" " " " " Screw..	02	—
19516	844	" " 19514 with 19515 and two 401D.....	1 75	—
381D	899	Throat Plate Screw.....	06	—

FOOT LIFTER.

No.	Plate.	Name.	Each.	Old No.
5667	—	Foot Lever	15	—
5668	895	" " 5667 with 5669 and 5671 ..	40	—
5669	—	" " Bracket	10	—
13351	—	" " Chain (length, 46 to 55 inches)	30	—
In ordering 13351 state length required.				
5671	897	Foot Lever Hinge Pin	01	—
5672	895	" " Lifting Spring	03	—
19517	—	Lifting Collar with 453c	25	—
2049	853	" " Pin	01	—
453c	899	" " Set Screw	02	—
19518	838	" Lever	2	00
19519	839	" " Bracket	75	—
2117	890	" " " Dowel Pin	01	23
135D	899	" " " Screw	05	—
8055	889	" " Hinge Pin	03	—
19520	860	" " Spring	15	—
45D	901	" " " Screw	12	—
19521	—	Foot Lifter complete, Nos. 45D, 135D, 2049, 2117, 5668, 8055, 13351, 19517, 19518, 19519 and 19520	4	00

SINGER DRIVING ATTACHMENT.

No.	Plate.	Name.	Each.	Old No.
11438	896	Balance Wheel with two 354c	3	75 190
8873	887	" " Pin	05	81
354c	899	" " Set Screw	06	—
8984	827	Brake Block (wood)	05	198
9D	898	" " Screw	20	—
11439	—	Friction Pulley	2	00 191
11440	896	" " 11439 with 11441	2	25
11441	849	" " Centre Plug	25	193
11442	896	" Washer	10	192
401E	899	" " Screw	02	—
11443	896	Lever	1	25 194
11444	896	" Bracket	85	196
497E	900	" " Bolt, 1½ x ½-in., with 1522 ..	05	—
1522	903	" " " Nut	02	—
135D	899	" " Screw	05	—
8991	828	" " " Washer	06	197
8992	828	" Spring	40	195
11864	—	Shaft Driving Pulley (sectional), 10-in. diam., 1½-in. face, with two 597c. Old No. 294, P. T. F	75	202

No.	Plate.	Name	Each.	Old No.
597c	900	Shaft Driving Pulley Clamping Screw ..	08	—
2875	896	Treadle	30	—
2876	—	" Connecting Rod (lower)	05	—
2877	—	" " " (upper)	05	—
9079	895	" " " Clamp with 354c. Old No. 75, P. T. F.	12	201
354c	899	Treadle Connecting Rod Clamp Screw ..	06	—
2988	895	" Connection, Nos. 2876, 2877, and 9079	22	—
2878	896	Treadle Stand	15	—
9082	890	" " Cotter Pin. Old No. 72, P. T. F.	01	—
12186	—	Treadle 2875 with 2878 and 9082	45	—
15018	—	" complete, Nos. 2988 and 12186 ..	65	—
11436	—	Singer Driving Attachment complete, Nos. 9D, 135D, 8873, 8984, 8991, 8992, 11438, 11440, 11442, 11443, 11444, 11864, 15018, two 497E and four 401E. Old No. 156, P. T. F.	10	00

ACCESSORIES.

No.	Plate.	Name.	Each.	Old No.
25957	895	Oiler with 4½-in. spout. Old No. 570, A. & A	12	—
25958	—	Oiler Spout, 4½ inches. Old No. 571, A. & A	04	—
26026	895	Screw Driver. Old No. 393, A. & A.	10	—
11831	895	" " with 5-in. blade	20	—
8908	894	Wrench for 354c	10	351
8909	894	" " 1513 and 1518	15	352
8910	894	" " 1508	25	—

OBSOLETE PARTS

FOR

7-11 MACHINE.

No.	Plate.	Name.	Each.	Old No.
* 11586	—	Bed	18	50
11587	840	Cloth Plate	1	50
11588	841	Feed Bar for 307c	2	25
11900	—	" Forked Connection Friction Spring Extension (left) for 11899 ..	—	—
11901	—	Feed Forked Connection Friction Spring Extension (right) for 11899 ..	—	—

No.	Plate	Name	Each	Old No.
11902	—	Feed Forked Connection Friction Spring Extension Rivet for 11899	—	—
11903	—	Feed Forked Connection Friction Spring Plate for 11899	—	—
11899	—	Feed Forked Connection Friction Spring complete, Nos. 11900, 11901, 11903 and four 11902	75	—
11602	—	Knee Lever	20	—
11603	838	" " Connecting Rod	20	—
11604	—	" Plate	25	—
11605	—	" " Bracket	10	—
11606	—	" " " Rivet...per 100..	10	—
11467	850	Presser Bar	75	89
11625	842	Shuttle Race Ring	75	—
11613	840	Switch Lever	30	—
11614	843	" " Bracket	20	—
11615	—	" " Connecting Rod	30	—
11616	840	" " " " 11615 with 11621 and 11624	60	—
11617	843	Switch Lever Connecting Rod Guide	40	—
11618	—	" " " " " Bracket	15	—
11619	—	Switch Lever Connecting Rod Guide Cap	10	—
11620	—	Switch Lever Connecting Rod Guide Plate	15	—
11621	889	Switch Lever Connecting Rod Stop Pin	01	—
11622	886	Switch Lever Spring	05	—
11623	843	" Ring	1 75	—
11624	889	" " Point	30	—
11630	843	Thread Take-up Cam	5 00	—
11631	—	Throat Plate Body for 11638	1 25	—
11632	905	" " Needle Hole Strip	50	—
11863	905	" " " " (oblong needle hole) for 11638	50	—
11633	872	Throat Plate Packing	25	—
11638	905	" " 11631 with 11632 or 11863 and two 401b for 11592	1 75	—

OBSOLETE PARTS.

FORMERLY USED ON No. 7-12 MACHINE, WHICH IS SUPERSEDED BY No. 7-23 MACHINE.

No.	Plate.	Name.	Each.	Old No.
* 11639	—	Arm	18	50
* 11640	—	Bed	18	50
11641	870	Cloth Plate	1	50

No.	Plate	Name	Each	Old No.
11642	841	Feed Bar	2	25
11643	870	" Forked Connection	2	00
11644	861	" Regulator Crank	60	—
11645	841	" " Lever	40	—
11646	872	" " " Friction Plate	15	—
11647	—	" " " " " Pin	01	—
11648	871	Feed Regulator Lever Stud	12	—
11649	871	" " " " Head	15	—
11650	886	" " " " Spring	03	—
11651	863	Feed Regulator Segment	50	—
11652	871	" " " Slide-block (right)	25	—
11653	871	Feed Regulator Segment Slide-block (left)	25	—
11654	871	Feed Regulator Segment Slide-block Plate (right)	10	—
11655	871	Feed Regulator Segment Slide-block Plate (left)	10	—
11656	—	Feed Regulator Segment Slide-block Plate Dowel Pin...per 100..	10	—
11657	860	Feed Regulator Shaft	20	—
11658	870	Foot Lever	40	—
11659	870	" " Connection	15	—
11660	870	" " " Bracket	20	—
11661	860	" " " " Hinge Pin	02	—
11662	843	Foot Lever Hinge Bracket	55	—
11663	—	" " " " Pin	01	—
11664	871	" " " " Washer	05	—
11665	870	" " (intermediate)	30	—
11666	872	Pressure Strip Guide (movable)	40	—
11667	872	" " " (stationary)	30	—
11668	870	" " " Bar (hinged)	1 00	—
11669	843	" " " " Hinge (half butt)	25	—
11670	860	Pressure Strip Guide Bar Hinge Pin	05	—
11671	—	" " " Pin...per 100..	10	—
11672	870	" Spring	75	—
11673	885	Strip Guide (movable) with 11676	50	—
11674	885	" " (stationary) with 11675	40	—
11675	—	" " Pin for 11674	01	—
11676	871	" " Slide-block for 11673	05	—

PARTS COMPLETE FOR
7-13 MACHINE.

**DROP FEED, VIBRATING PRESSER, 1-INCH STITCH, FOR PAMPHLET
WORK, WITH SINGER DRIVING ATTACHMENT.**

No.	Plate.	Name.	Each.	Old No.
* 19501	—	Arm	18 50	—
8703	887	" Dowel Pin.....	15	8
872E	900	" Screw	10	—
11853	825	" Shaft.....	7 00	4
11854	830	" " Bushing.....	75	5
437O	899	" " " Set Screw.....	04	—
11913	825	" Side Cover.....	25	—
65D	899	" " " Screw.....	15	—
8708	827	" Spool Pin.....	05	72
11438	896	Balance Wheel with two 354c. See Singer Driving Attachment.	—	—

NOTE.—When this Machine is run on Foot
Power Stand, use 11358, Balance Wheel
(two speed), with two 354c, Old No. 8,
\$2.50.

* 11359	—	Bed.	18 50	—
11361	894	" Foot Bracket (left).....	10	—
11360	894	" " " (right).....	10	—
507E	898	" " " Bolt with 1515....	02	—
1515	890	" " " " Nut.....	01	—
670E	862	" Front Bearing Clamping Screw.	06	—
11680	840	Cloth Plate	1 25	—
389	901	" " Screw	04	—
11363	825	Crank Connecting Rod.	1 25	206
* 11364	—	" " " Cap.....	—	—
145E	899	" " " " Screw....	04	—
565O	898	" " " Hinge Screw.	15	—
1513	890	" " " " " "	—	—
		Nut	05	—
19503	841	Feed Bar	2 25	—
307O	898	" " Screw Centre.....	06	—
1513	890	" " " " Nut.....	05	—
11367	830	" Cam with two 445c.	1 00	12
445O	900	" " Set Screw	03	—
11368	830	" Connecting Link	35	16
565O	898	" " " Hinge Screw	15	—
1513	890	" " " " " "	—	—
		Nut	05	—
11502	844	Feed Dog.....	2 00	—
166D	899	" " Screw.....	07	—
11593	838	" Forked Connection.....	2 00	157
565O	898	" " " Hinge Scr..	15	—
1513	890	" " " " " "	—	—
		Nut	05	—

No.	Plate	Name	Each	Old No.
11594	863	Feed Lifting Rock Shaft.	1 40	—
11595	—	" " " " 11594 with 11597.....	2 40	—
11596	—	Feed Lifting Rock Shaft Crank	60	—
11597	861	" " " " " 11596 with 1866	1 00	—
2117	890	Feed Lifting Rock Shaft Crank Pin..	01	23
1866	900	" " " " " Roller with 372c and 1518.....	35	—
372O	898	Feed Lifting Rock Shaft Crank Roller Screw.....	12	—
1518	890	Feed Lifting Rock Shaft Crank Roller Screw Nut.	04	—
453O	899	Feed Lifting Rock Shaft Crank Set Screw.....	02	—
564O	898	Feed Lifting Rock Shaft Ser. Centre.	12	—
1508	890	" " " " " "	—	—
		Nut.....	06	—
11375	830	Feed Regulator	60	208
568E	898	" " Hinge Screw	15	—
254D	902	" " Thumb Screw.....	40	—
11598	838	" Rock Shaft.....	1 75	—
11599	—	" " " 11598 with 11601....	2 50	—
11601	839	" " " Crank with 445c ...	75	—
8873	887	" " " " Pin.....	05	81
445O	900	" " " " Set Screw....	03	—
564O	898	" " " Screw Centre.....	12	—
1508	890	" " " " " Nut... ..	06	—
26159	894	Guide	60	—
254D	902	" Screw	40	—
11402	828	Lifting Presser Bar.....	1 00	49
11461	851	" " " Bell Crank.....	1 25	58
8D	898	" " " " " Hinge Screw	20	—
1828	899	Lifting Presser Bar Bell Crank Roller and Screw 372c.....	25	—
372O	898	Lifting Presser Bar Bell Crank Roller Screw	12	—
1518	890	Lifting Presser Bar Bell Crank Roller Screw Nut	04	—
2718	897	Lifting Presser Bar Bell Crank Roller Screw Nut Washer.....	01	—
11463	851	Lifting Presser Bar Guide Bracket with 159 and 453c.....	2 00	—
159	899	Lifting Presser Bar Guide Bracket Adjusting Screw	03	—
11405	830	Lifting Presser Bar Guide Bracket Guide	50	53
381D	899	Lifting Presser Bar Guide Bracket Guide Screw.....	06	—
453O	899	Lifting Presser Bar Guide Bracket Set Screw.....	02	—

No.	Plate.	Name.	Each	Old No.
11465	853	Lifting Presser Bar Spring Bracket with 3530.....	1 00	51
	3530	899 Lifting Presser Bar Spring Bracket Set Screw.....	12	—
11466	853	Lifting Presser Bar Spring Bracket Set Screw Washer.....	10	—
11880	828	Needle Bar.....	1 00	35
11881	890	" " Connecting Link.....	80	238
	5660	898 " " " " Hinge Screw.....	15	—
1518	890	Needle Bar Connecting Link Hinge Screw Nut.....	05	—
11383	887	Needle Bar Connecting Stud with two 4450.....	1 25	36
	4450	900 Needle Bar Connecting Stud Set Scr.....	03	—
	258D	899 " " Screw Bushing.....	20	—
11847	898	" Clamp with 245 and 11385.....	75	—
11385	890	" " Gib.....	15	40
	245	899 " " Set Screw.....	03	—
11497	—	Oil Cup.....	80	—
11917	—	" " Cover.....	25	—
9084	889	" " " Hinge Pin.....	02	—
2205	887	" " " Latch Spring.....	04	296
	207	901 " " " " " Screw.....	02	—
	135D	899 " " Screw.....	05	—
11919	888	" " Thread Eyelet.....	05	—
	8953	— " or Wax Stripper (felt).....	03	297
	5480	887 " " " Washer (steel) for 11497.....	01	—
11918	888	Oil or Wax Stripper Washer (steel) for 11917.....	03	—
	207	901 Oil or Wax Stripper Washer Screw.....	02	—
11921	825	" Cup complete, Nos. 2205, 5480, 9084, 11497, 11917, 11918, 11919, two 8953 and three 207.....	1 25	—
11841	827	Oscillating Rock Shaft (steel).....	1 75	—
11398	827	" " " Hinge Pin.....	75	256
	1508	890 " " " " " Nut.....	06	—
	6220	899 " " " " " Ser.....	15	—
	1508	890 Oscillating Rock Shaft Hinge Pin Ser.....	06	—
		Bearing Nut.....	06	—
11165	897	Oscillating Rock Shaft Oil Pad.....	01	—
11842	—	" " " 11841 with 6220.....	2 75	—
11850	825	Oscillating Shaft.....	1 25	—
11393	887	" " Collar with two 4530.....	10	354
	4530	899 " " " Set Screw.....	02	—
11848	—	" " Crank.....	30	—
11849	830	" " " 11848 with 4530, 1513 and 1885.....	75	—

No.	Plate	Name	Each	Old No.
2117	890	Oscillating Shaft Crank Pin.....	01	28
1885	900	" " " Roller & Stud.....	40	—
1513	890	" " " " " " " Nut.....	05	—
	190	899 Oscillating Shaft Crank Roller Cap Screw.....	03	—
5968	887	Oscillating Shaft Crank Roller Cap Screw Washer.....	02	—
	4530	899 Oscillating Shaft Crank Set Screw.....	02	—
11908	—	Presser Bar Lifter.....	1 00	—
11909	830	" " " 11908 with 8761 and 8763.....	1 25	—
8760	888	Presser Bar Lifter Friction Washer.....	03	56
	16D	899 " " " Hinge Screw.....	20	—
8761	890	" " " Stop Pin.....	05	55
11906	827	" " Lifting Link.....	50	—
	3530	899 " " " Cap Screw.....	12	—
8763	890	" " " " Hinge Stud.....	25	152
7958	890	" " " " " " " Pin.....	01	—
8765	890	Presser Bar Lifting Link Hinge Stud Washer.....	04	154
	258D	899 Presser Bar Screw Bushing.....	20	—
11409	827	" " Spring.....	15	50
11411	887	" " " Collar with 4530.....	10	—
	4530	899 " " " " Set Screw.....	02	—
	252D	898 Pressure Regulating Thumb Screw.....	40	—
11851	833	Shuttle (cylinder), 3-in. diam, with 11910.....	6 00	—
11910	833	Shuttle Bobbin (solid and hardened).....	25	—
11852	833	" Cylinder.....	2 50	—
8961	833	" " Hinge Pin.....	02	63
11853	833	" " Latch.....	15	—
12002	833	" " " Pin.....	01	—
11854	833	" " " Spring.....	03	—
	590E	901 " " " " Screw.....	02	—
11856	830	" Driver with 4530.....	1 75	—
	2117	890 " " Pin.....	01	23
	4530	899 " " Set Screw.....	02	—
11855	833	" Frame.....	2 75	—
11832	830	" Race Back.....	1 00	—
11833	889	" " " Dowel Pin.....	01	—
11834	830	" " " Spring.....	25	—
	32D	901 " " " " Screw.....	15	—
11835	—	" " Body.....	2 75	—
11837	825	" " Frame with 11838.....	2 00	—
11838	889	" " " Position Pin.....	03	—
11836	825	" " complete, Nos. 32D, 11832, 11834, 11835 and two 11833.....	4 00	—
	135D	899 Shuttle Race Screw.....	05	—
	7730	901 " Tension Regulating Screw.....	05	—
8964	833	" " Spring.....	40	360

No.	Plate	Name	Each	Old No.
11684	—	Feed Lifting Rock Shaft		
		Crank..... Use 11596..	60	—
11685	—	Feed Lifting Rock Shaft		
		Crank with 1828	90	—
11686	848	Presser Foot.....	1	50
11690	872	Throat Plate Packing....	25	—
11728	—	Vibrating Presser Bar		
		Guide Bracket.....	1	30

7-15 MACHINE.

DROP FEED, VIBRATING PRESSER, 1-INCH STITCH, FOR PAMPHLET WORK, WITH BELT SHIFTER.

This Machine is Composed of the SAME PARTS as 7-13 Machine Excepting:

No.	Plate.	Name.	Each.	Old No.
11878	888	Arm Shaft, substituting 11353.	7	00
11356	896	Balance Wheel with two 354c, substituting 11438.	1	75 6

BELT SHIFTER.

No.	Plate.	Name.	Each.	Old No.
11446	890	Cord Eyelet.....	04	106
11447	874	" Pulley	35	107
	567D	" " Screw	15	—
5667	—	Foot Lever	15	—
5669	—	" " Bracket.	10	—
6439	—	" " Chain (length 36 to 45 inches)	20	—

In ordering No. 6439, state length required.

5671	897	Foot Lever Hinge Pin	01	—
5672	895	" " Lifting Spring.....	03	—
5668	895	" " 5667 with 5669 and 5671..	40	—
11940	896	Fork	75	—
	434c	" Set Screw	04	—
11941	896	Frame with 8804 and two 434c.....	1	75
	8804	892 " Handle.....	30	101
11450	828	Guide Rod	30	108
	2117	890 " " Pin.....	01	23
11943	896	Pulley (fast) with two 354c	1	10
	354c	899 " " Set Screw.....	06	—
	11944	896 " (loose)	1	00
11459	897	" " Collar with two 448c....	25	98
	448c	900 " " " Set Screw.	03	—

No.	Plate	Name	Each	Old No.
11451	828	Slide Rod.....	75	102
11453	887	" " Collar with two 448c	25	103
	448c	900 " " " Set Screw.....	03	—
	2117	890 " " Pin	01	23
11942	828	" " Spring	15	—
11453	887	" " " Collar with two 448c	25	103
	448c	900 " " " " Set Screw	03	—
11945	—	Belt Shifter complete, Nos. 567D, 5668, 5672, 6439, 11446, 11447, 11450, 11451, 11459, 11940 to 11944, two each 2117 and 11453, substituting Singer Driving Attachment complete	7	50

7-23 MACHINE.

DROP FEED, REVERSIBLE, 1-INCH STITCH, GUIDES FOR SINGLE AND CONNECTED STRIPS FOR BOOK BINDING, BELT SHIFTER OR SINGER DRIVING ATTACHMENT AND FOOT LIFTER.

This machine is composed of the SAME PARTS as 7-11 Machine, except being fitted with additional Guides for connected strips, for bookbinding as follows:

No.	Plate.	Name.	Each.	Old No.
11946	842	Guide with ridge, for 11948.....	1	25
11687	—	Throat Plate Body, substituting 19514	1	25
11947	—	" " Needle Hole Strip with ridge, substituting 19515.....	1	00
	401D	899 Throat Plate Needle Hole Strip Scr..	02	—
11948	814	" " 11687 with 11947 and two 401D, substituting 19516	2	50

BOBBIN WINDER (HAND) FOR MACHINE BED.

No.	Plate	Name	Each	Old No.
11755	—	Belt.....	05	—
11756	—	" 11755 with 25028 Old No. 104, No. 11 Machine	05	—
25028	889	Belt Hook	01	371
	135D	899 Bobbin Winder Screw.....	05	—

No.	Plate	Name	Each	Old No.
11758	858	Frame. Old No. 101, No. 11 Mach..	50	--
11759	858	Pulley. " " 103, " " " ..	25	--
11760	892	" Driving Wheel.....	50	366
8880	893	" " " Handle.....	03	--
11762	893	" " " " Stud	10	--
8883	887	" " " " " "		
		Washer	01	--
11761	859	Pulley Driving Wheel Handle complete, Nos. 8880, 8882 and 11762...	10	369
11763	887	Pulley Driving Wheel Stud	10	367
2269	889	" " " " Pin.....	01	153
11764	888	" " " " Washer..	01	368
11765	858	Spindle. Old No. 102, No. 11 Mach.	40	--
11754	855	Bobbin Winder complete, Nos. 2269, 11756, 11758, 11759, 11760, 11761, 11763, 11764 and 11755. Old No. 100, No. 11 Machine.....	2 00	--

Numerical List of Parts.

No.	Plate.	Name.	Each.	Old No.
8D	898	Lifting Presser Bar Bell Crank Hinge Screw for 7-13 and 7-15 Machines..	20	--
9D	898	Brake Block Screw for 11436.....	20	--
16D	899	Lifting Presser Bar Lifter Hinge Scr. for 7-11 and 7-23 Machines.....	20	--
16D	899	Presser Bar Lifter Hinge Screw for 7-13 and 7-15 Machines.	20	--
32D	901	Shuttle Race Back Spring Screw	15	--
45D	901	Lifting Lever Spring Screw for 19521	12	--
58D	899	Feed Reverse Lever Connecting Hinge Screw (lever end) for 7-11 and 7-23 Machines	15	--
58D	899	Feed Reverse Lever Hinge Screw for 7-11 and 7-23 Machines.....	15	--
65D	899	Arm Side Cover Screw.....	15	--
65D	899	Feed Reverse Lever Connection Hinge Screw (switch clutch end) for 7-11 and 7-23 Machines.....	15	--
65E	899	Switch Clutch Lever Hinge Screw for 7-11 and 7-23 Machines.....	15	--
82D	905	Feed Reverse Stop Lever Spring Scr. for 7-11 and 7-23 Machines.....	05	--
96D	901	Strip Guide Screw for 7-11 and 7-23 Machines	05	--
129E	901	Feed Reverse Lever Bracket Screw for 7-11 and 7-23 Machines.	04	--
134D	900	Feed Reverse Stop Lever Bracket Screw for 7-11 and 7-23 Machines..	06	--
135D	899	Bobbin Winder Screw for 11754.....	05	--
135D	899	Lever Bracket Screw for 11436.....	05	--
135D	899	Lifting Lever Bracket Scr. for 19521.	05	--
135D	899	Oil Cup Screw	05	--
135D	899	Shuttle Race Screw.....	05	--
145E	899	Crank Connecting Rod Cap Screw...	04	--
145D	899	Switch Clutch Lever Bracket Screw for 7-11 and 7-23 Machines.....	04	--
155E	901	Feed Cam Clutch Screw for 7-11 and 7-23 Machines.....	03	--
159	899	Lifting Presser Bar Guide Bracket Adjusting Screw	03	--
159D	899	Switch Clutch Driver Screw for 7-11 and 7-23 Machines.....	03	--
161D	901	Feed Reverse Lever Stop Washer Scr. for 7-11 and 7-23 Machines.....	04	--
161E	901	Switch Clutch Driving Screw for 7-11 and 7-23 Machines	04	--
164D	899	Presser Bar Hinge Cap Screw for 7-11 and 7-23 Machines	04	--

No.	Plate	Name	Each	Old No.
164D	899	Vibrating Presser Bar Hinge Cap Scr. for 7-13 and 7-15 Machines	04	
166D	899	Feed Dog Screw	07	
190	899	Oscillating Shaft Crank Roller Cap Screw	03	
190	899	Presser Bar Guide Bracket Cap Scr., for 7-11 and 7-23 Machines	03	
190	899	Tension Bracket Screw	03	
190	899	Thread Take-up Spring Regulator Plate Adjusting Screw	03	
190	899	Vibrating Presser Bar Guide Bracket Cap Screw for 7-13 and 7-15 Machs.	03	
191C	899	Presser Foot Screw for 7-11 and 7-23 Machines	03	
191C	899	Vibrating Presser Foot Screw for 7-13 and 7-15 Machines	03	
207	901	Oil Cup Cover Latch Spring Screw	02	
207	901	" or Wax Stripper Washer Screw	02	
233D	901	Feed Reverse Stop Lever Cushion Screw for 7-11 and 7-23 Machines	02	
245	899	Needle Clamp Set Screw	03	
252D	898	Pressure Regulating Thumb Screw	40	
254D	902	Feed Regulator Thumb Screw	40	
254D	902	Guide Screw for 7-13 and 7-15 Machs.	40	
258D	899	Lifting Presser Bar Screw Bushing for 7-11 and 7-23 Machines	20	
258D	899	Needle Bar Screw Bushing	20	
258D	899	Presser Bar Screw Bushing for 7-13 and 7-15 Machines	20	
307C	898	Feed Bar Screw Centre	06	
353C	899	Lifting Presser Bar Lifting Link Cap Screw for 7-11 and 7-23 Machines	12	
353C	899	Lifting Presser Bar Spring Bracket Set Screw for 7-13 and 7-15 Machs.	12	
353C	899	Presser Bar Lifting Link Cap Screw for 7-13 and 7-15 Machines	12	
354C	899	Balance Wheel Set Screw for 11438	06	
354C	899	Belt Shifter Pulley (fast) Set Screw for 11943	06	
354C	899	Treadle Connecting Rod Clamp Screw for 9079	06	
372C	898	Feed Lifting Rock Shaft Crank Roller Screw	12	
372C	898	Lifting Presser Bar Bell Crank Roller Screw for 7-13 and 7-15 Machines	12	
381D	899	Lifting Presser Bar Guide Bracket Guide Screw	06	
381D	899	Throat Plate Screw	06	
389	901	Cloth Plate Screw	04	
401E	899	Friction Washer Screw for 11436	02	

No.	Plate.	Name.	Each.	Old No.
401D	899	Throat Plate Needle Hole Strip Screw	02	
411D	898	Tension Screw Stud	25	
434C	899	Belt Shifter Fork Set Screw for 11945	04	
434C	899	Thread Take-up Cam Set Screw	04	
437C	899	Arm Shaft Bushing Set Screw	04	
445C	900	Feed Cam Set Screw for 7-13 and 7-15 Machines	03	
445C	900	Feed Rock Shaft Crank Set Screw	03	
445C	900	Needle Bar Connecting Stud Set Ser.	03	
446C	899	Presser Bar Guide Bracket Set Screw for 7-11 and 7-23 Machines	03	
448C	900	Belt Shifter Slide Rod Collar Set Ser. for 11453	03	
448C	900	Belt Shifter Slide Rod Spring Collar Set Screw for 11453	03	
448C	900	Belt Shifter Pulley (loose) Collar Set Screw for 11459	03	
448C	900	Vibrating Presser Bar Guide Bracket Set Screw for 7-13 and 7-15 Machs.	03	
453C	899	Feed Lifting Rock Shaft Crank Set Screw	02	
453C	899	Lifting Collar Set Screw for 19517	02	
453C	899	" Presser Bar Guide Bracket Set Screw	02	
453C	899	Lifting Presser Bar Spring Collar Set Screw for 7-11 and 7-23 Machines	02	
453C	899	Oscillating Shaft Collar Set Screw	02	
453C	899	" " Crank Set Screw	02	
453C	899	Presser Bar Spring Collar Set Screw for 7-13 and 7-15 Machines	02	
453C	899	Shuttle Driver Set Screw	02	
497E	900	Lever Bracket Bolt, 1½-in., with 1522, for 11436	05	
507E	898	Bed Foot Bracket Bolt with 1515	02	
564C	898	Feed Lifting Rock Shaft Ser. Centre.	12	
564C	898	" Rock Shaft Screw Centre	12	
565C	898	Crank Connecting Rod Hinge Screw.	15	
565C	898	Feed Connecting Link Hinge Screw.	15	
565C	898	" Forked Connection Hinge Ser.	15	
566C	898	Needle Bar Connecting Link Hinge Screw	15	
567D	898	Belt Shifter Cord Pulley Screw for 11945	15	
567D	898	Feed Reverse Stop Lever Hinge Scr. for 7-11 and 7-23 Machines	15	
567D	898	Thread Take-up Lever Hinge Screw.	15	
568E	898	Feed Regulator Hinge Screw	15	
590E	901	Shuttle Cylinder Latch Spring Screw	02	
597C	900	Shaft Driving Pulley Clamping Scr. for 11804	08	

No.	Plate	Name	Each	Old No.
622c	899	Oscillating Rock Shaft Hinge Pin Screw Bearing.....	15	—
670E	862	Bed Front Bearing Clamping Screw.	06	—
686D	902	Thread Retainer Screw Stud.....	25	—
761c	900	Feed Cam Position Screw for 7-11 and 7-23 Machines.....	03	—
773c	901	Shuttle Tension Regulating Screw...	05	—
869D	901	Feed Forked Connection Friction Spring Screw for 7-11 and 7-23 Machines.....	05	—
872E	900	Arm Screw	10	—
1508	890	Feed Lifting Rock Shaft Screw Centre Nut.....	06	—
1508	890	Feed Rock Shaft Screw Centre Nut.	06	—
1508	890	Oscillating Rock Shaft Hinge Pin Nut.....	06	—
1508	890	Oscillating Rock Shaft Hinge Pin Screw Bearing Nut.....	06	—
1513	890	Crank Connecting Rod Hinge Scr. Nut.....	05	—
1513	890	Feed Bar Screw Centre Nut	05	—
1513	890	" Connecting Link Hinge Screw Nut.....	05	—
1513	890	Feed Forked Connection Hinge Scr. Nut.....	05	—
1513	890	Needle Bar Connecting Link Hinge Screw Nut	05	—
1513	890	Oscillating Shaft Crank Roller and Stud Nut	05	—
1515	890	Bed Foot Bracket Bolt Nut	01	—
1518	890	Feed Reverse Stop Lever Roller and Screw Stud Nut for 7-11 and 7-23 Machines.....	04	—
1518	890	Feed Lifting Rock Shaft Crank Roller Screw Nut.....	04	—
1518	890	Lifting Presser Bar Bell Crank Roller Screw Nut for 7-13 and 7-15 Machs.	04	—
1518	890	Thread Take-up Lever Roller and Screw Stud Nut.....	04	—
1520	905	Feed Forked Connection Friction Spring Screw Nut for 7-11 and 7-23 Machines.....	03	—
1522	903	Lever Bracket Bolt Nut for 497E	02	—
1560	890	Tension Regulating Thumb Nut....	04	—
1560	890	Thread Retainer Regulating Thumb Nut.....	04	—
1813	899	Switch Clutch Lever Roller and Stud for 7-11 and 7-23 Machines.....	20	—
1828	899	Lifting Presser Bar Bell Crank Roller and Screw 372c for 7-13 and 7-15 Machines.....	25	—

No.	Plate	Name	Each	Old No.
1845	899	Thread Take-up Lever Roller and Screw Stud.....	30	—
1866	900	Feed Lifting Rock Shaft Crank Roller with 372c and 1518.....	35	—
1885	900	Oscillating Shaft Crank Roller & Stud	40	—
1892	900	Feed Reverse Stop Lever Roller and Screw Stud for 7-11 and 7-23 Machs.	30	—
2049	853	Lifting Collar Pin for 19521.....	01	—
2102	888	Thread Retainer Disc.....	05	84
2103	888	" " Spring.....	03	85
2117	890	Belt Shifter Guide Rod Pin for 11945	01	23
2117	890	" " Slide " " " "	01	23
2117	890	Feed Lifting Rock Shaft Crank Pin..	01	23
2117	890	Lifting Lever Bracket Dowel Pin for 19521.....	01	23
2117	890	Oscillating Shaft Crank Pin.....	01	23
2117	890	Presser Bar Guide Bracket Pin for 7-11 and 7-23 Machines.....	01	23
2117	890	Shuttle Driver Pin	01	23
2205	887	Oil Cup Cover Latch Spring.....	04	296
2269	889	Pulley Driving Wheel Stud Pin for 11754.....	01	153
2718	897	Lifting Presser Bar Bell Crank Roller Screw Nut Washer for 7-13 and 7-15 Machines.....	01	—
2875	896	Treadle for 12186.....	30	—
2876	—	" Connecting Rod (lower) for 2988.....	05	—
2877	—	Treadle Connecting Rod (upper) for 2988.....	05	—
2878	896	Treadle Stand for 12186	15	—
2988	895	" Connection, Nos. 2876, 2877 and 9079 for 15018.....	22	—
8012	853	Vibrating Presser Bar Guide Bracket Pin for 7-13 and 7-15 Machines....	01	—
8146	889	Feed Reverse Lever Handle Washer for 7-11 and 7-23 Machines.....	01	343
5480	887	Oil or Wax Stripper Washer (steel) for 11497.....	01	—
5667	—	Foot Lever for 5668	15	—
5668	895	" " 5667 with 5669 and 5671 for 11945 and 19521.....	40	—
5669	—	Foot Lever Bracket for 5668	10	—
5671	897	" " Hinge Pin for 5668.....	01	—
5672	895	" " Lifting Spring for 11945.	03	—
5968	887	Oscillating Shaft Crank Roller Cap Screw Washer	02	—
6439	—	Foot Lever Chain (length 36 to 45 inches) for 11945.....	20	—
7958	890	Lifting Presser Bar Lifting Link Hinge Stud Pin for 7-11 and 7-23 Machs..	01	—

No.	Plate.	Name.	Each.	Old No.
7958	890	Presser Bar Lifting Link Hinge Stud Pin for 7-13 and 7-15 Machines....	01	---
8055	889	Lifting Lever Hinge Pin for 19521....	03	---
8380	893	Pulley Driving Wheel Handle for 11761.....	03	---
8382	887	Pulley Driving Wheel Handle Stud Washer for 11761.....	01	---
8702	887	Arm Dowel Pin	15	3
8708	827	" Spool Pin.....	05	72
8734	886	Vibrating Presser Bar Spring for 7-13 and 7-15 Machines	08	---
8760	888	Lifting Presser Bar Lifter Friction Washer for 7-11 and 7-23 Machines	03	56
8760	888	Presser Bar Lifter Friction Washer for 7-13 and 7-15 Machines....	03	56
8761	890	Lifting Presser Bar Lifter Stop Pin for 7-11 and 7-23 Machines	05	55
8761	890	Presser Bar Lifter Stop Pin for 7-13 and 7-15 Machines.....	05	55
8763	890	Lifting Presser Bar Lifting Link Hinge Stud for 7-11 and 7-23 Machs.	25	162
8763	890	Presser Bar Lifting Link Hinge Stud for 7-13 and 7-15 Machines	25	152
8765	890	Lifting Presser Bar Lifting Link Hinge Stud Washer for 7-11 and 7-23 Machs.	04	154
8765	890	Presser Bar Lifting Link Hinge Stud Washer for 7-13 and 7-15 Machines	04	154
8800	890	Feed Reverse Lever Stop Washer for 7-11 and 7-23 Machines	06	90
8800	890	Presser Bar Hinge Cap Scr. Washer for 7-11 and 7-23 Machines.....	06	90
8800	890	Vibrating Presser Bar Hinge Cap Scr. Washer for 7-13 and 7-15 Machines	06	90
8804	892	Belt Shifter Frame Handle for 11941.	30	101
8873	887	Balance Wheel Pin for 11438, for 11436	05	81
8873	887	Feed Rock Shaft Crank Pin.....	05	81
8873	887	Thread Take-up Cam Pin.....	05	81
8879	887	Tension Friction Washer (felt).....	01	---
8905	887	" Regulating Thumb Nut Washer.....	01	361
8905	887	Thread Retainer Regulating Thumb Nut Washer	01	361
8908	894	Wrench for 354c	10	351
8909	894	" " 1513 and 1518.....	15	352
8910	894	" " 1508.....	25	---
8953	---	Oil or Wax Stripper (felt).....	03	297
8961	893	Shuttle Cylinder Hinge Pin.....	02	63
8964	833	" Tension Spring	40	360
8984	827	Brake Block (wood) for 11436.....	05	198
8991	828	Lever Bracket Scr. Washer for 11436	06	197
8992	828	" Spring for 11436.....	40	195

No.	Plate.	Name.	Each.	Old No.
9042	890	Vibrating Presser Bar Guide Bracket Cap Hook for 7-13 and 7-15 Machs.	01	---
9042	890	Vibrating Presser Bar Spring Bracket Hook for 7-13 and 7-15 Machs.....	01	---
9079	895	Treadle Connecting Rod Clamp for 2988 with 354c. Old No. 75, P.T.F.	12	201
9082	890	Treadle Stand Cotter Pin for 12186. Old No. 72, P. T. F	01	---
9084	889	Oil Cup Cover Hinge Pin.....	02	---
11041	---	Thread Retainer complete, Nos. 686b, 1560, 2103, 8905 and two 2102.....	45	---
11044	897	Tension Wheel.....	75	---
11052	887	Thread Take-up Spring	08	---
11165	897	Oscillating Rock Shaft Oil Pad.....	01	---
11353	825	Arm Shaft for 7-13 Machine.....	7 00	4
11354	830	" " Bushing	75	5
11356	896	Balance Wheel with two 354c, for 7-15 Machine.....	1 75	6
11358	896	Balance Wheel (two-speed) with two 354c (used when Machine is run on Foot Power Stand).....	2 50	8
* 11359	---	Bed	18 50	---
11360	894	" Foot Bracket (right).....	10	---
11361	894	" " " (left)	10	---
11363	825	Crank Connecting Rod	1 25	206
* 11364	---	" " " Cap.....	---	---
11367	830	Feed Cam with two 445c, for 7-13 and 7-15 Machines	1 00	12
11368	830	Feed Connecting Link	35	16
11375	830	" Regulator	60	208
11380	828	Needle Bar.....	1 00	35
11381	830	" " Connecting Link.....	80	238
11383	887	" " " Stud with two 445c	1 25	36
11385	890	Needle Clamp Gib.....	15	40
11393	887	Oscillating Shaft Collar with two 453c	10	354
11398	827	" Rock Shaft Hinge Pin....	75	256
11402	828	Lifting Presser Bar	1 00	49
11405	830	" " " Guide Bracket Guide.....	50	53
11409	827	Lifting Presser Bar Spring for 7-11 and 7-23 Machines	15	50
11409	827	Presser Bar Spring for 7-13 and 7-15 Machines	15	50
11411	887	Lifting Presser Bar Spring Collar with 453c, for 7-11 and 7-23 Machs.	10	---
11411	887	Presser Bar Spring Collar with 453c, for 7-13 and 7-15 Machines.....	10	---
11420	---	Tension (wheel) complete, Nos. 411b, 1560, 8905, 11044, 11422, 11423 and two 8879.....	1 20	---

No.	Plate.	Name.	Each.	Old No.
11421	887	Tension Bracket	70	76
11422	888	" Spring	10	74
11423	888	" Friction Washer (steel)	03	75
11428	827	Thread Take-up Cam (steel) with 434c, for 7-13 and 7-15 Machines	5 00	80
11431	888	Thread Take-up Spring Regulator Plate	10	83
11436	—	Singer Driving Attachment complete, Nos. 9D, 135D, 887B, 8984, 8991, 8992, 11438, 11440, 11442, 11443, 11444, 11864, 15018, two 497E and four 401E, for 7-11, 7-13 and 7-23 Machines. Old No. 156, P. T. F.	10 00	—
11438	896	Balance Wheel with two 354c, for 11436 and 7-11, 7-13 and 7-23 Machs	3 75	190
11439	—	Friction Pulley for 11440	2 00	191
11440	896	" " 11439 with 11441, for 11436	2 25	—
11441	849	Friction Pulley Centre Plug for 11440	25	193
11442	896	" Washer for 11436	10	192
11443	896	Lever for 11436	1 25	194
11444	896	" Bracket for 11436	85	196
11446	890	Belt Shifter Cord Eyelet for 11945	04	106
11447	874	" " " Pulley " "	35	107
11450	828	" " Guide Rod " "	30	108
11451	828	" " Slide " "	75	102
11453	887	" " " Collar with two 448c, for 11945	25	103
11453	887	Belt Shifter Slide Rod Spring Collar with two 448c, for 11945	25	103
11459	897	Belt Shifter Pulley (loose) Collar with two 448c, for 11945	25	98
11461	851	Lifting Presser Bar Bell Crank for 7-13 and 7-15 Machines	1 25	58
11463	851	Lifting Presser Bar Guide Bracket with 159 and 453c	2 00	—
11465	858	Lifting Presser Bar Spring Bracket with 353c, for 7-13 and 7-15 Machs	1 00	51
11466	858	Lifting Presser Bar Spring Bracket Set Screw Washer for 7-13 and 7-15 Machines	10	—
11467	850	Presser Bar for 7-11 and 7-23 Machs. (obsolete)	75	89
11468	851	Vibrating Presser Bar Guide Bracket for 7-13 and 7-15 Machines	1 30	—
11470	851	Presser Bar Guide Bracket Cap for 7-11 and 7-23 Machines	20	92
11497	—	Oil Cup	80	—
* 11584	—	Arm (solid) for 7-11 and 7-23 Machs	18 50	—
11585	888	" Shaft " " " " "	7 00	—

No.	Plate.	Name.	Each.	Old No.
* 11586	—	Bed for 7-11 and 7-23 Machines (obsolete)	18 50	—
11587	840	Cloth Plate for 7-11 and 7-23 Machs. (obsolete)	1 50	—
11588	841	Feed Bar for 307c, for 7-11 and 7-23 Machines (obsolete)	2 25	—
11589	—	Feed Cam for 7-11 and 7-23 Machs	1 25	—
11590	843	" " 11589 with 155E, 761c and 11591, for 7-11 and 7-23 Machines	1 75	—
11591	843	Feed Cam Clutch for 7-11 and 7-23 Machines	50	—
11592	844	Feed Dog	2 00	—
11593	838	" Forked Connection	2 00	157
11594	863	" Lifting Rock Shaft	1 40	—
11595	—	" " " " 11594 with 11597	2 40	—
11596	—	Feed Lifting Rock Shaft Crank	60	—
11597	861	" " " " " 11596 with 1866	1 00	—
11598	838	Feed Rock Shaft	1 75	—
11599	—	" " " 11598 with 11601	2 50	—
11601	839	" " " Crank with 445c	75	—
11602	—	Knee Lever for 7-11 and 7-23 Machs. (obsolete)	20	—
11603	838	Knee Lever Connecting Rod for 7-11 and 7-23 Machines (obsolete)	20	—
11604	—	Knee Plate for 7-11 and 7-23 Machs. (obsolete)	25	—
11605	—	Knee Plate Bracket for 7-11 and 7-23 Machines (obsolete)	10	—
11606	—	Knee Plate Bracket Rivet for 7-11 and 7-23 Machines (obsolete) per 100	10	—
11607	848	Switch Clutch for 7-11 & 7-23 Machs	2 00	—
11608	871	" " Driver for 7-11 and 7-23 Machines	50	—
11610	843	Switch Clutch Lever with 1813, for 7-11 and 7-23 Machines	70	—
11611	871	Switch Clutch Lever Bracket for 7-11 and 7-23 Machines	25	—
11612	871	Switch Clutch Key for 7-11 and 7-23 Machines	10	—
Nos. 11613 to 11625 for 7-11 and 7-23 Machines (obsolete).				
11613	840	Switch Lever	30	—
11614	843	" " Bracket	20	—
11615	—	" " Connecting Rod	30	—
11616	840	" " " " 11615 with 11621 and 11624	60	—
11617	848	Switch Lever Connecting Rod Guide	40	—
11618	—	" " " " " Bracket	15	—

No.	Plate.	Name.	Each.	Old No.
11619	—	Switch Lever Connecting Rod Guide Cap	10	—
11620	—	Switch Lever Connecting Rod Guide Plate	15	—
11621	889	Switch Lever Connecting Rod Stop Pin	01	—
11622	886	Switch Lever Spring	05	—
11623	843	" Ring	1 75	—
11624	889	" " Point	30	—
11625	842	Shuttle Race Ring	75	—
11626	848	Strip Guide (right) for 7-11 and 7-23 Machines	50	—
11627	843	Strip Guide (left) for 7-11 and 7-23 Machines	50	—
11630	843	Thread Take-up Cam for 7-11 and 7-23 Machines (obsolete)	5 00	—
11631	—	Throat Plate Body for 11638 for 7-11 and 7-23 Machines (obsolete)	1 25	—
11632	905	Throat Plate Needle Hole Strip for 7-11 and 7-23 Machines (obsolete)	50	—
11633	872	Throat Plate Packing for 7-11 and 7-23 Machines (obsolete)	25	—
11634	—	Presser Bar Guide Bracket for 7-11 and 7-23 Machines	1 25	—
11635	886	Presser Bar Guide Bracket 11634 with 446c, 11470 and two 190 for 7-11 and 7-23 Machines	1 50	—
11637	861	Presser Foot for 7-11 and 7-23 Machs.	1 75	—
11638	905	Throat Plate 11631 with 11632 or 11863 and two 401p for 11592, for 7-11 Machine (obsolete)	1 75	—
Nos. 11639 to 11676 for 7-12 Machine (obsolete).				
* 11639	—	Arm	18 50	—
* 11640	—	Bed	18 50	—
11641	870	Cloth Plate	1 50	—
11642	841	Feed Bar	2 25	—
11643	870	" Forked Connection	2 00	—
11644	861	" Regulator Crank	60	—
11645	841	" " Lever	40	—
11646	872	" " " Friction Plate	15	—
11647	—	" " " " " Pin	01	—
11648	871	Feed Regulator Lever Stud	12	—
11649	871	" " " " Head	15	—
11650	886	" " " " Spring	03	—
11651	863	" " " Segment	50	—
11652	871	" " " Slide-block (right)	25	—
11653	871	Feed Regulator Segment Slide-block (left)	25	—

No.	Plate	Name	Each	Old No.
11654	871	Feed Regulator Segment Slide-block Plate (right)	10	—
11655	871	Feed Regulator Segment Slide-block Plate (left)	10	—
11656	—	Feed Regulator Segment Slide-block Plate Dowel Pin.....per 100	10	—
11657	860	Feed Regulator Shaft	20	—
11658	870	Foot Lever	40	—
11659	870	" " Connection	15	—
11660	870	" " " Bracket	20	—
11661	860	" " " " Hinge Pin	02	—
11662	843	Foot Lever Hinge Bracket	55	—
11663	—	" " " " Pin	01	—
11664	871	" " " " Washer	05	—
11665	870	" " (intermediate)	30	—
11666	872	Pressure Strip Guide (movable)	40	—
11667	872	" " " (stationary)	30	—
11668	870	" " " Bar (hinged)	1 00	—
11669	843	" " " " Hinge (half butt)	25	—
11670	860	Pressure Strip Guide Bar Hinge Pin	05	—
11671	—	" " " " Pin.....per 100	10	—
11672	870	" Spring	75	—
11673	885	Strip Guide (movable) with 11676	50	—
11674	885	" " (stationary) with 11675	40	—
11675	—	" " Pin for 11674	01	—
11676	871	" " Slide-block for 11673	05	—
* 11679	—	Bed for 7-13 and 7-15 Machines (obsolete), use 11359	18 50	—
11680	840	Cloth Plate	1 25	—
Nos. 11681 to 11686 for 7-13 and 7-15 Machines (obsolete).				
11681	839	Feed Bar, use 19503	2 25	—
11682	—	" Lifting Rock Shaft, use 11594	1 40	—
11683	838	" " " " with 11685, use 11595	2 30	—
11684	—	Feed Lifting Rock Shaft Crank, use 11596	60	—
11685	—	Feed Lifting Rock Shaft Crank with 1828, use 11597	90	—
11686	848	Presser Foot, use 11728	1 50	—
11687	—	Throat Plate Body for 11688 and 11948 for 7-13, 7-15 and 7-23 Machs.	1 25	—
11688	—	Throat Plate 11687 with 11689 and two 401p for 7-13 and 7-15 Machs.	1 75	—
11689	—	Throat Plate Needle Hole Strip for 7-13 and 7-15 Machines	50	—
11690	872	Throat Plate Packing for 7-13 and 7-15 Machines (obsolete)	25	—

No	Plate	Name	Each	Old No.
11722	—	Vibrating Presser Bar for 7-13 and 7-15 Machines.....	75	
11723	—	Vibrating Presser Bar Guide Bracket for 7-13 and 7-15 Machines (obsolete), use 11468.....	1 30	
11724	886	Vibrating Presser Bar Guide Bracket 11468 with 448c, 9042, 11725 and two 190 for 7-13 and 7-15 Machines	1 55	
11725	886	Vibrating Presser Bar Guide Bracket Cap for 7-13 and 7-15 Machines....	25	92A
11728	844	Vibrating Presser Foot for 7-13 and 7-15 Machines.....	1 50	168
11739	886	Vibrating Presser Bar Spring Bracket with 9042 for 7-13 and 7-15 Machs.	40	—
11740	—	Vibrating Presser Bar Spring Bracket Rivet for 7-13 and 7-15 Machines, per 100.....	10	—
11754	855	Bobbin Winder (Hand, for Machine Bed) complete, Nos. 2269, 11756, 11758, 11759, 11760, 11761, 11763, 11764 and 11765. Old No. 100, No. 11 Machine.....	2 00	—
11755	—	Bobbin Winder Belt for 11756.....	05	—
11756	—	“ “ “ 11755 with 25028 for 11754. Old No. 104, No. 11 Machine.....	05	—
11758	858	Bobbin Winder Frame for 11754. Old No. 101, No. 11 Machine.....	50	—
11759	858	Bobbin Winder Pulley for 11754. Old No. 103, No. 11 Machine.....	25	—
11760	892	Bobbin Winder Pulley Driving Wheel for 11754.....	25	—
11761	859	Bobbin Winder Pulley Driving Wheel Handle complete, Nos. 8880, 8882 and 11762 for 11754.....	10	369
11762	893	Bobbin Winder Pulley Driving Wheel Handle Stud for 11761.....	10	—
11763	887	Bobbin Winder Pulley Driving Wheel Stud for 11754.....	10	367
11764	888	Bobbin Winder Pulley Driving Wheel Stud Washer for 11754.....	01	368
11765	858	Bobbin Winder Spindle for 11754. Old No. 102, No. 11 Machine.....	40	—
11831	895	Screw Driver with 5-in. blade.....	20	—
11832	830	Shuttle Race Back.....	1 00	—
11833	889	“ “ “ Dowel Pin.....	01	—
11834	830	“ “ “ Spring.....	25	—
11835	—	“ “ “ Body.....	2 75	—
11836	825	“ “ “ complete, Nos. 32D, 11832, 11834, 11835 and two 11833..	4 00	—

No.	Plate	Name	Each	Old No.
11837	825	Shuttle Race Frame with 11838.....	2 00	—
11838	889	“ “ “ Position Pin....	03	—
11841	827	Oscillating Rock Shaft (steel).....	1 75	—
11842	—	“ “ “ 11841 with 622c, 11165, 11398 and two 1508.....	2 75	—
11844	—	Thread Take-up Lever.....	1 20	—
11845	856	“ “ “ 11844 with 1845	1 50	321
11846	839	Feed Reverse Stop Lever for 7-11 and 7-23 Machines.....	1 50	—
11847	888	Needle Clamp with 245 and 11385....	75	—
11848	—	Oscillating Shaft Crank.....	30	—
11849	830	“ “ “ 11848 with 453c, 1513 and 1885.....	75	—
11850	825	Oscillating Shaft.....	1 25	—
11851	833	Shuttle (cylinder), 3-in. diam., with 11910.....	6 00	—
11852	833	Shuttle Cylinder.....	2 50	—
11853	833	“ “ “ Latch.....	15	—
11854	833	“ “ “ Spring.....	03	—
11855	833	“ “ “ Frame.....	2 75	—
11856	830	“ “ “ Driver with 453c.....	1 75	—
11863	905	Throat Plate Needle Hole Strip (oblong needle hole) for 11638, for 7-11 Machine (obsolete).....	50	—
11864	—	Shaft Driving Pulley (sectional), 10-in. diam., 1½-in. face, with two 597c, for 11436. Old No. 294, P. T. F....	75	202
11878	838	Arm Shaft for 7-15 Machine.....	7 00	—
Nos. 11899 to 11903 for 7-11 and 7-23 Machines (obsolete).				
11899	—	Feed Forked Connection Friction Spring complete, Nos. 11900, 11901, 11903 and four 11902.....	75	—
11900	—	Feed Forked Connection Friction Spring Extension (left) for 11899..	—	—
11901	—	Feed Forked Connection Friction Spring Extension (right) for 11899.	—	—
11902	—	Feed Forked Connection Friction Spring Extension Rivet for 11899..	—	—
11903	—	Feed Forked Connection Friction Spring Plate for 11899.....	—	—
11906	827	Lifting Presser Bar Lifting Link for 7-11 and 7-23 Machines.....	50	—
11906	827	Presser Bar Lifting Link for 7-13 and 7-15 Machines.....	50	—
11908	—	Lifting Presser Bar Lifter for 7-11 and 7-23 Machines.....	1 00	—
11908	—	Presser Bar Lifter for 7-13 and 7-15 Machines.....	1 00	—

No.	Plate	Name	Each	Old No.
11909	880	Lifting Presser Bar Lifter 11908 with 8761 and 8763 for 7-11 and 7-23 Machines	1	25
11909	880	Presser Bar Lifter 11908 with 8761 and 8763 for 7-13 and 7-15 Machines . .	1	25
11910	838	Shuttle Bobbin (solid and hardened).		25
11913	825	Arm Side Cover		25
11914	839	Feed Reverse Lever Connection for 7-11 and 7-23 Machines		40
11915	841	Feed Reverse Lever for 7-11 and 7-23 Machines		50
11917	—	Oil Cup Cover.		25
11918	888	" or Wax Stripper Washer (steel), for 11917.		03
11919	888	Oil Cup Thread Eyelet.		05
11921	825	" " complete, Nos. 2205, 5480, 9084, 11497, 11917, 11918, 11919, two 8953 and three 207.	1	25
11940	896	Belt Shifter Fork for 11945.		75
11941	896	" " Frame with 8804 and two 434c for 11945.	1	75
11942	828	Belt Shifter Slide Rod Spring for 11945		15
11943	896	" " Pulley (fast) with two 354c, for 11945.	1	10
11944	896	Belt Shifter Pulley (loose) for 11945. .	1	00
11945	—	" " complete, Nos. 567D, 5668, 5672, 6439, 11446, 11447, 11450, 11451, 11459, 11940 to 11944, two each 2117 and 11458, for 7-15 Machine	7	50
11946	842	Guide with ridge for 11948, for 7-23 Machine.	1	25
11947	—	Throat Plate Needle Hole Strip with ridge, for 7-23 Machine	1	00
11948	844	Throat Plate 11687 with 11947 and two 401D, for 7-23 Machine.	2	50
11949	839	Presser Bar for 7-11 and 7-23 Machs. .	1	00
11950	888	Thread Eyelet for 11041		05
12002	833	Shuttle Cylinder Latch Pin.		01
12186	—	Treadle 2875 with 2878 and 9082, for 15018		45
13851	—	Foot Lever Chain (length 46 to 55 inches) for 19521.		30
15018	—	Treadle complete, Nos. 2988 and 12186 for 11496.		65
* 19501	—	Arm for 7-13 and 7-15 Machines. . . .	18	50
19503	841	Feed Bar	2	25
19504	847	" Forked Connection Friction Spring for 7-11 and 7-23 Machines .		75

No.	Plate	Name	Each.	Old No.
19505	841	Feed Reverse Lever 11915 with 3146 and 19507, for 7-11 and 7-23 Machs.	60	—
19506	861	Feed Reverse Lever Bracket for 7-11 and 7-23 Machines.		40
19507	—	Feed Reverse Lever Handle for 7-11 and 7-23 Machines.		05
19508	841	Feed Reverse Stop Lever Bracket for 7-11 and 7-23 Machines		60
19509	—	Feed Reverse Stop Lever Cushion (rawhide) for 7-11 and 7-23 Machs.		03
19510	886	Feed Reverse Stop Lever Spring for 7-11 and 7-23 Machines.		05
19511	861	Feed Reverse Stop Lever Spring Hook for 7-11 and 7-23 Machines.		03
19512	842	Lifting Presser Bar 11402 with 2049 and 19517, for 7-11 and 7-23 Machs.	1	25
19513	842	Thread Take-up Cam with 434c, for 7-11 and 7-23 Machines.	5	00
19514	—	Throat Plate Body for 19516.	1	25
19515	—	" " Needle Hole Strip for 7-11 and 7-23 Machines.		50
19516	844	Throat Plate 19514 with 19515 and two 401D, for 7-11 and 7-23 Machs.	1	75
19517	—	Lifting Collar with 453c, for 19521. .		25
19518	838	" Lever for 19521.	2	00
19519	839	" " Bracket for 19521.		75
19520	860	" " Spring " "		15
19521	—	Foot Lifter complete, Nos. 45D, 135D, 2049, 2117, 5668, 8055, 13351, 19517, 19518, 19519 and 19520, for 7-11 and 7-23 Machines.	4	00
19523	839	Vibrating Presser Bar 11722 with 11739 and two 11740, for 7-13 and 7-15 Machines.	1	15
25028	880	Belt Hook for 11756.		01
25957	895	Oiler with 4 1/2-in spout. Old No. 570, A. & A.		12
25958	—	Oiler Spout, 4 1/2 inches. Old No. 571, A. & A.		04
26026	895	Screw Driver. Old No. 393, A. & A.		10
26159	894	Guide for 7-13 and 7-15 Machines. . . .		60

THE SINGER MANUFACTURING COMPANY use and recommend exclusively the **WILLIMANTIC SPOOL COTTON.**

PLATE 825—ONE-FOURTH SIZE

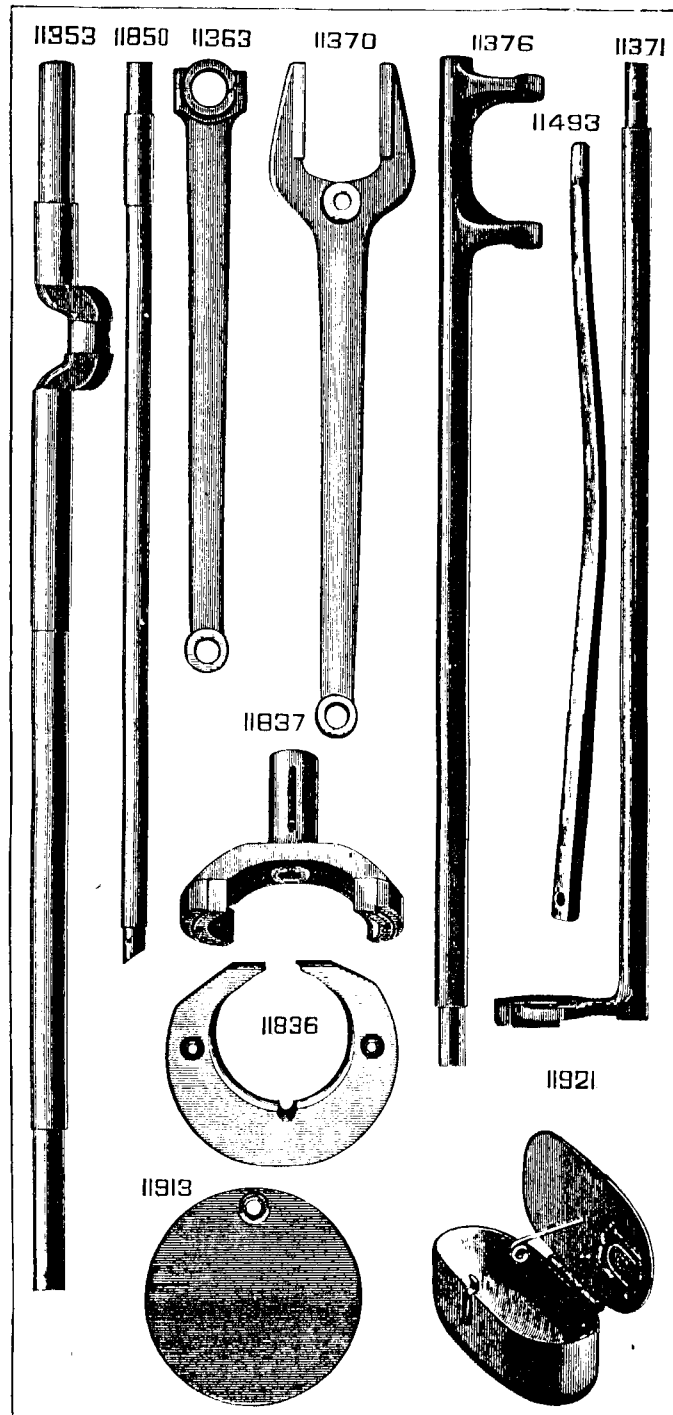


PLATE 827—ONE-HALF SIZE

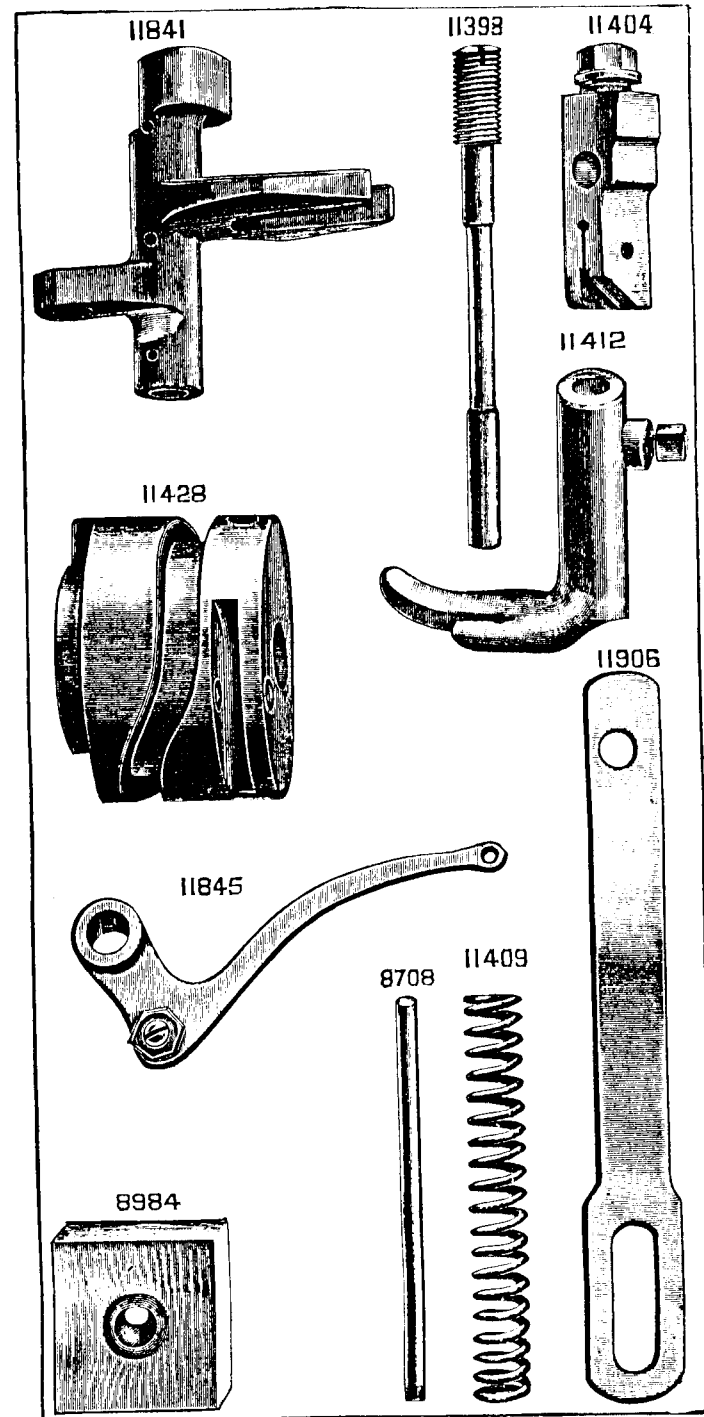


PLATE 828—ONE-HALF SIZE

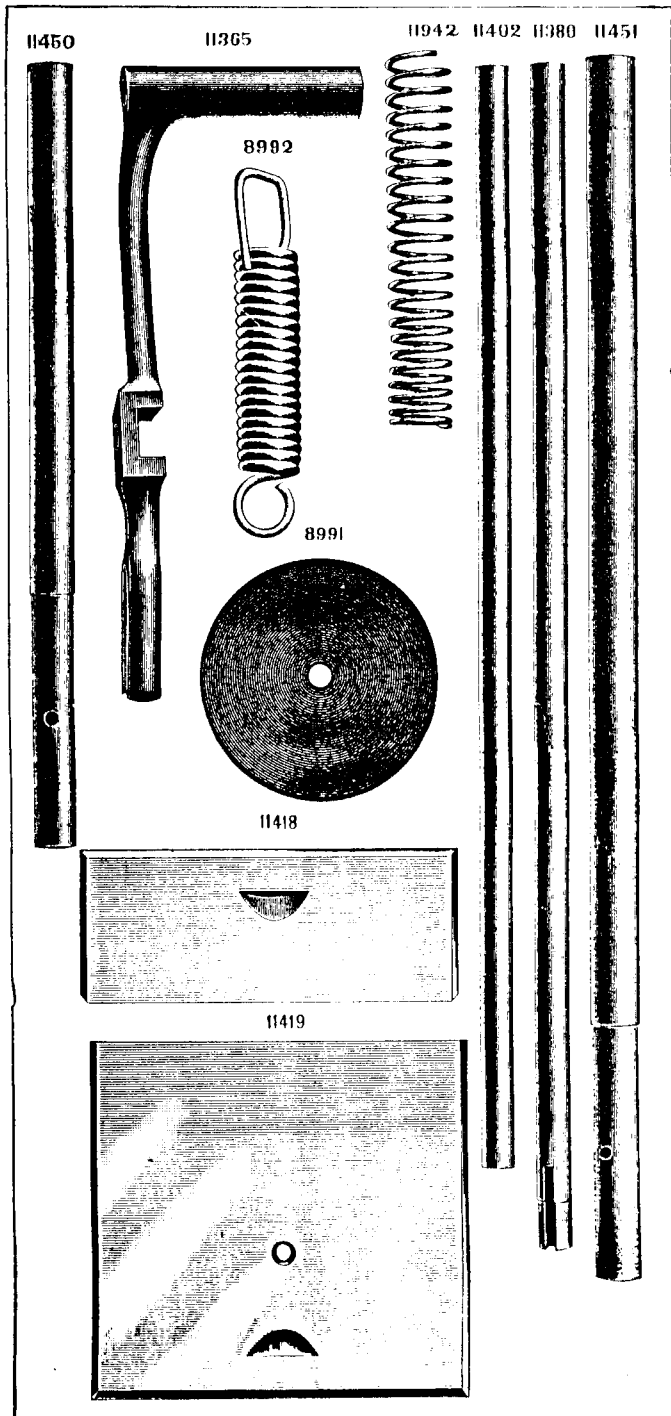


PLATE 830—ONE-HALF SIZE

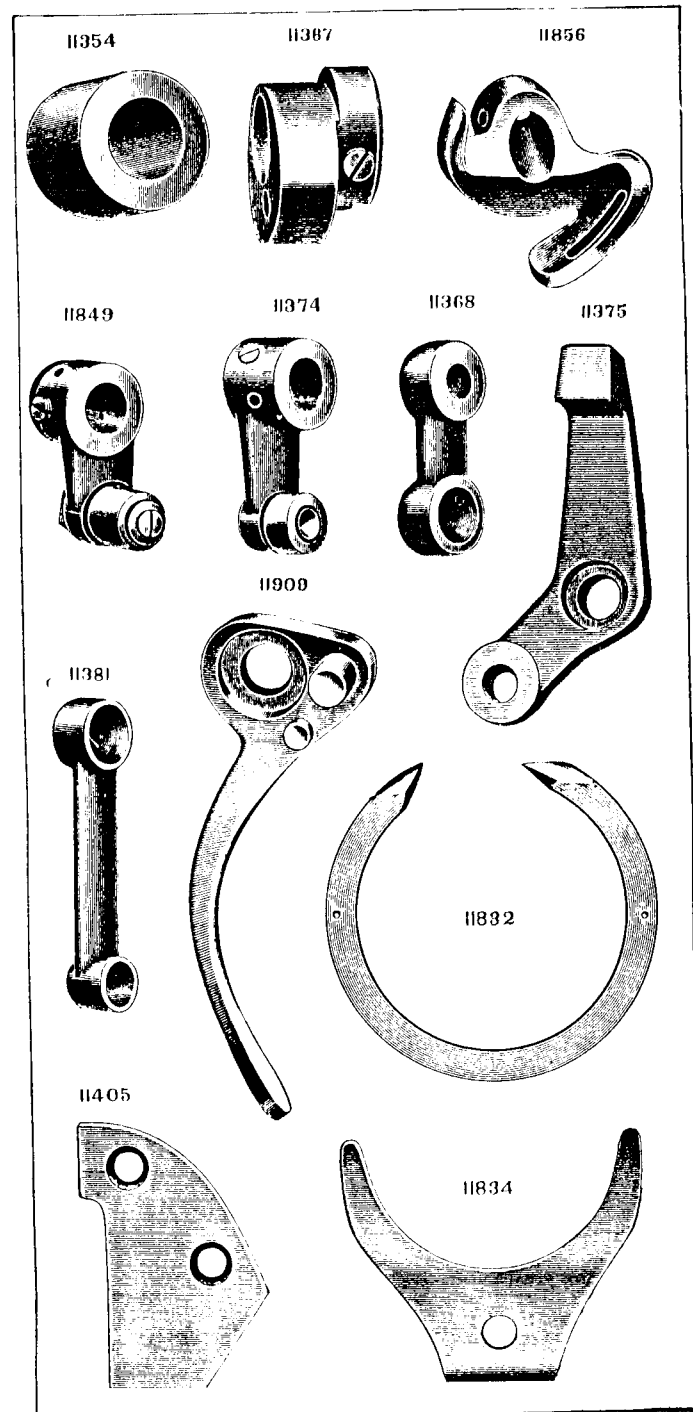


PLATE 833—FULL SIZE

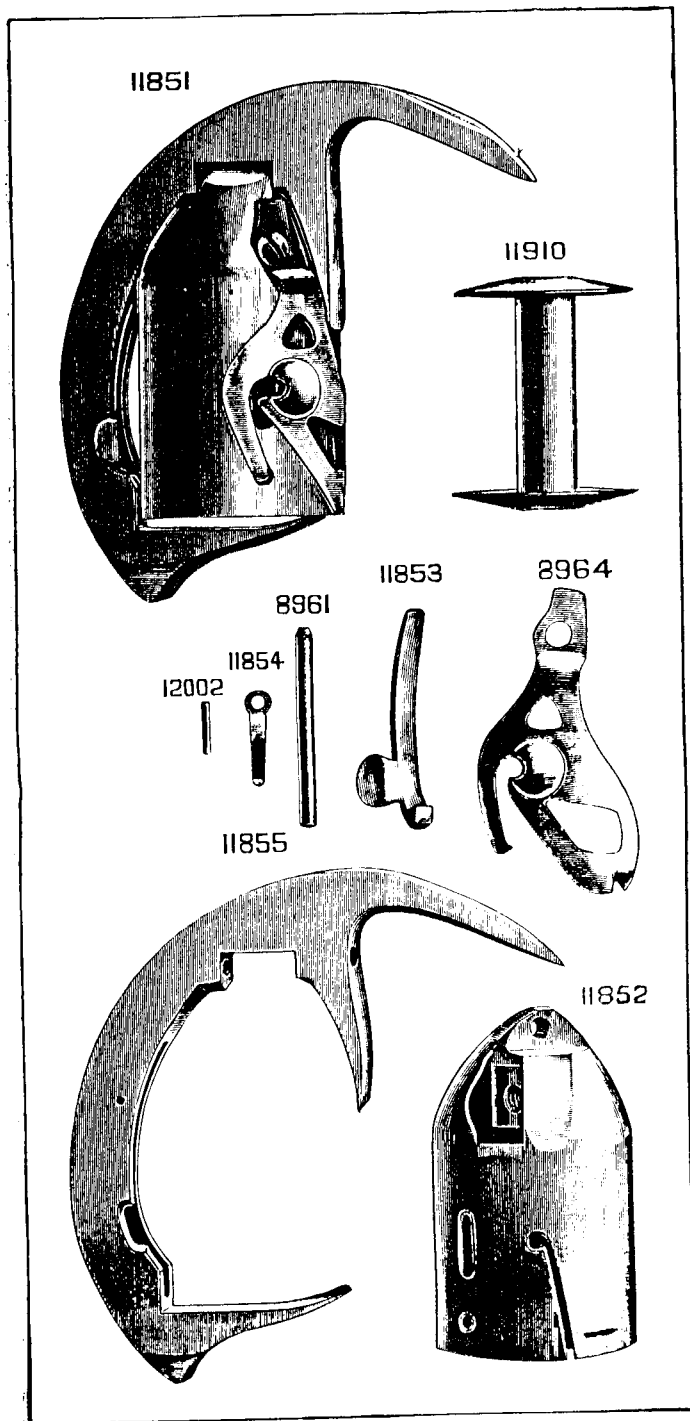


PLATE 838—ONE-FOURTH SIZE

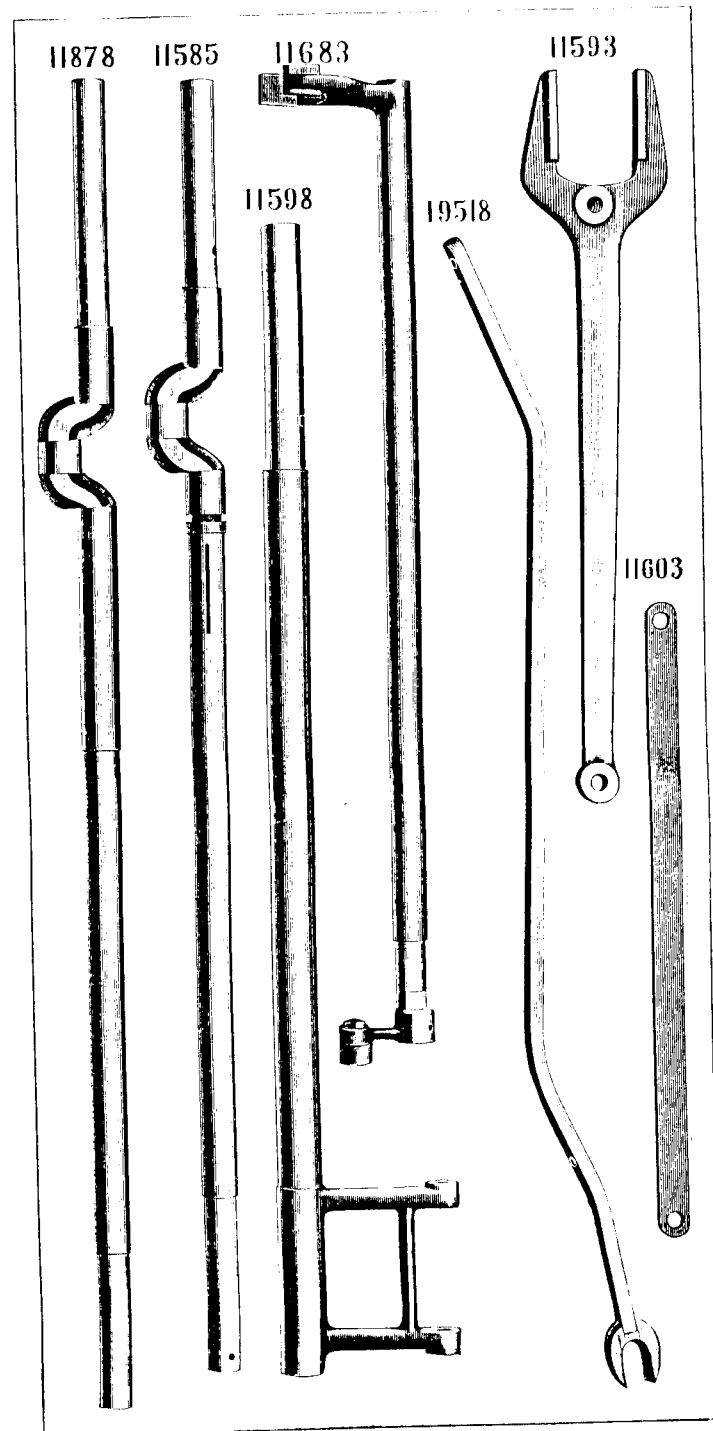


PLATE 839—ONE-HALF SIZE

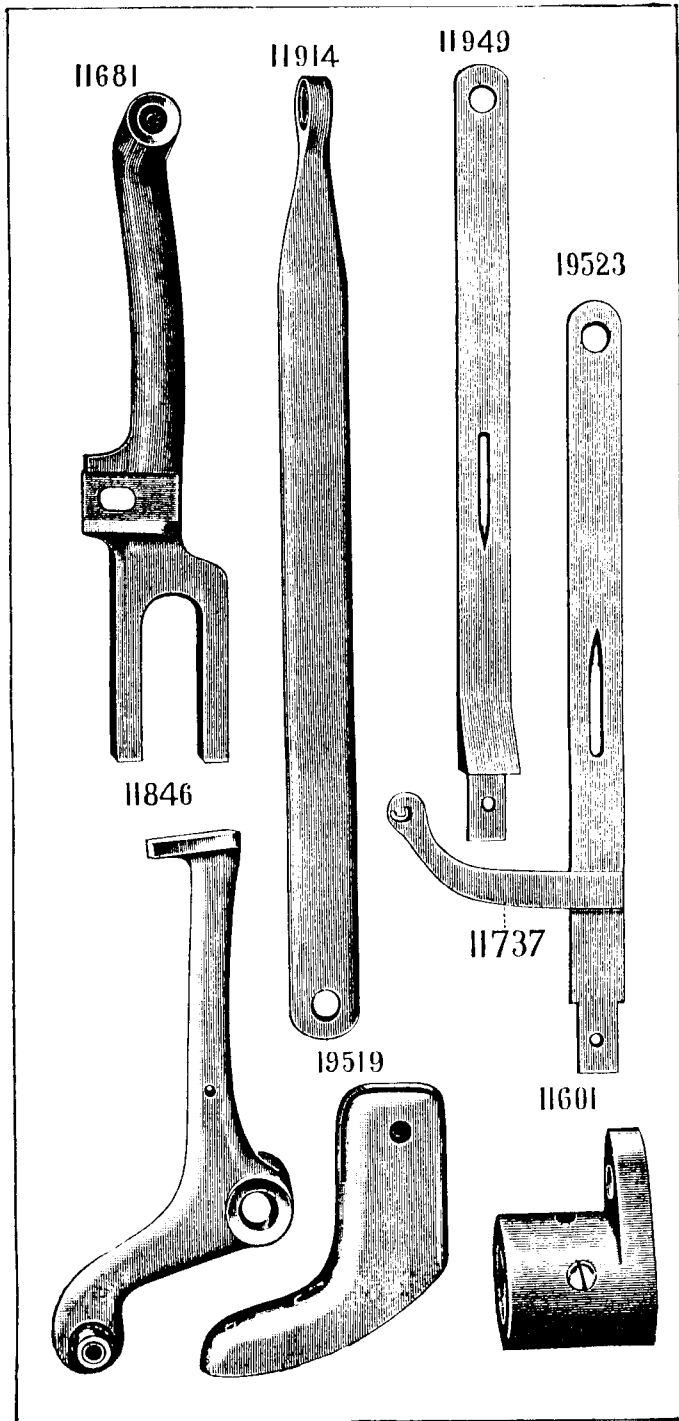


PLATE 840—ONE-FOURTH SIZE

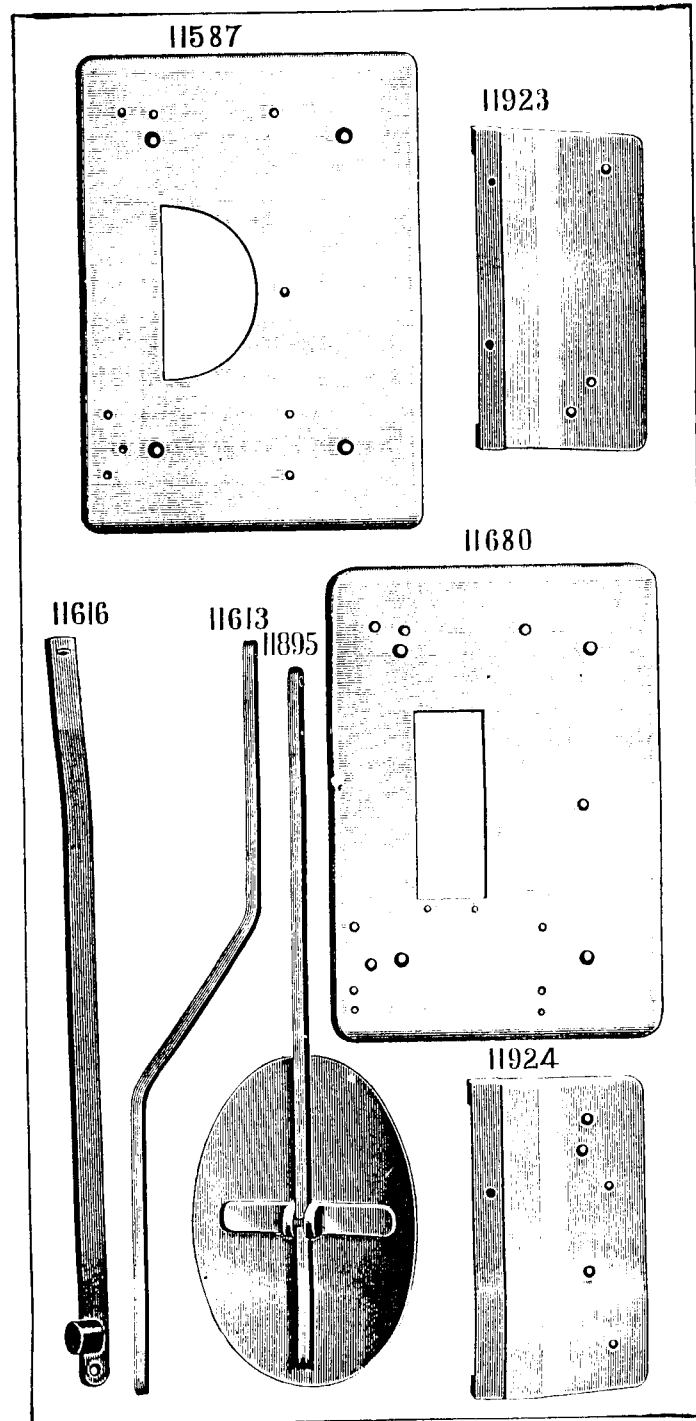


PLATE 841—ONE-HALF SIZE

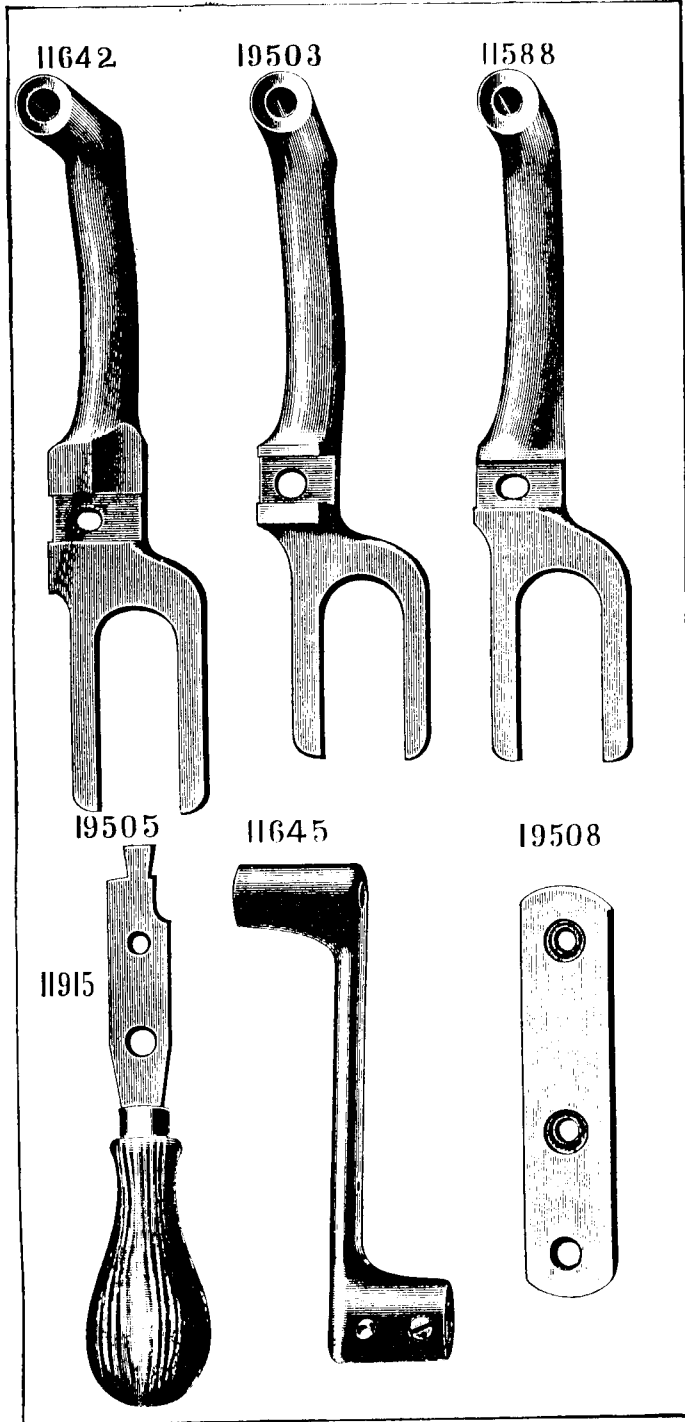


PLATE 842—ONE-HALF SIZE

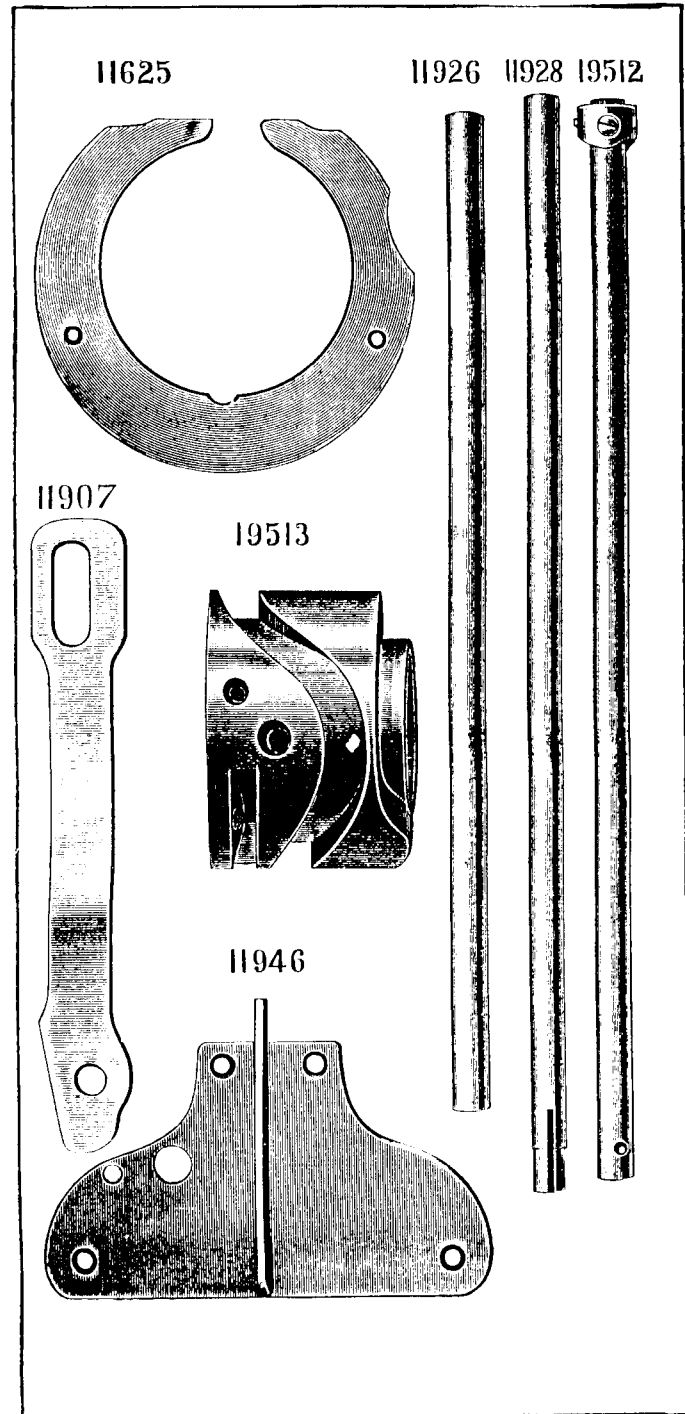


PLATE 843—ONE-HALF SIZE

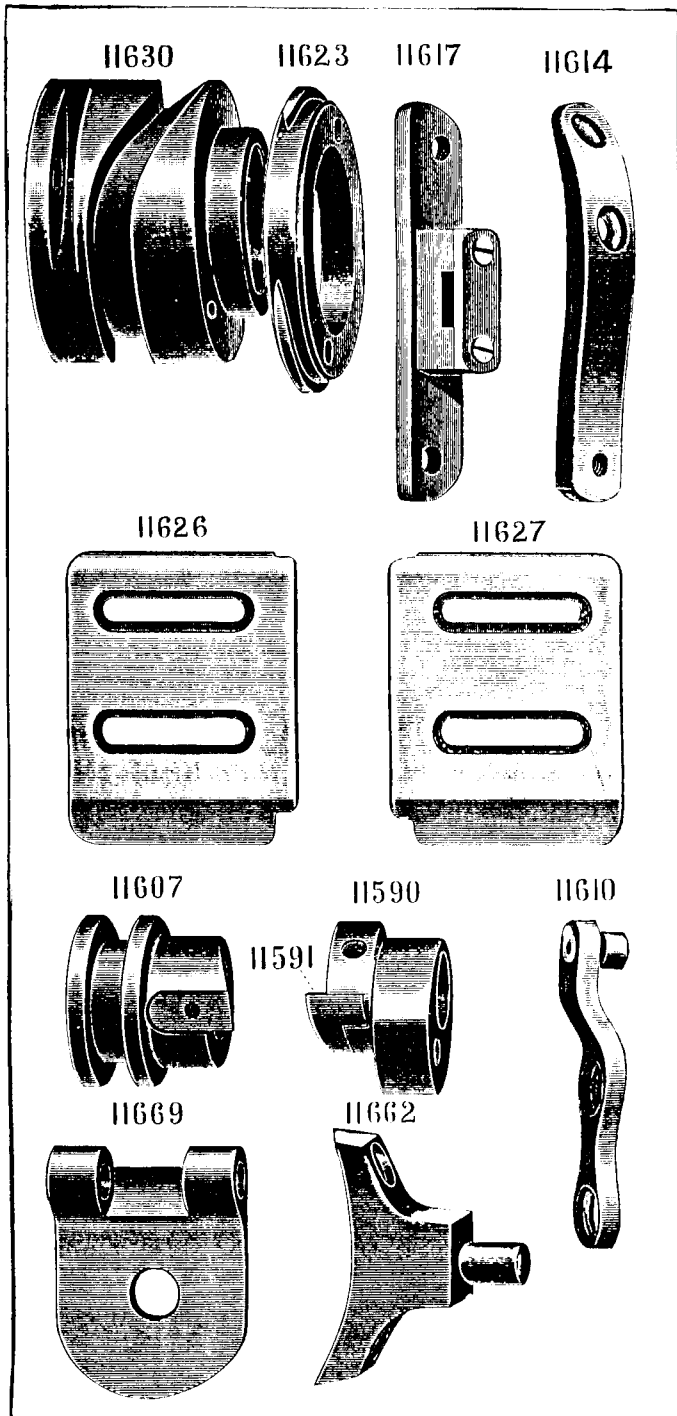


PLATE 844—FULL SIZE

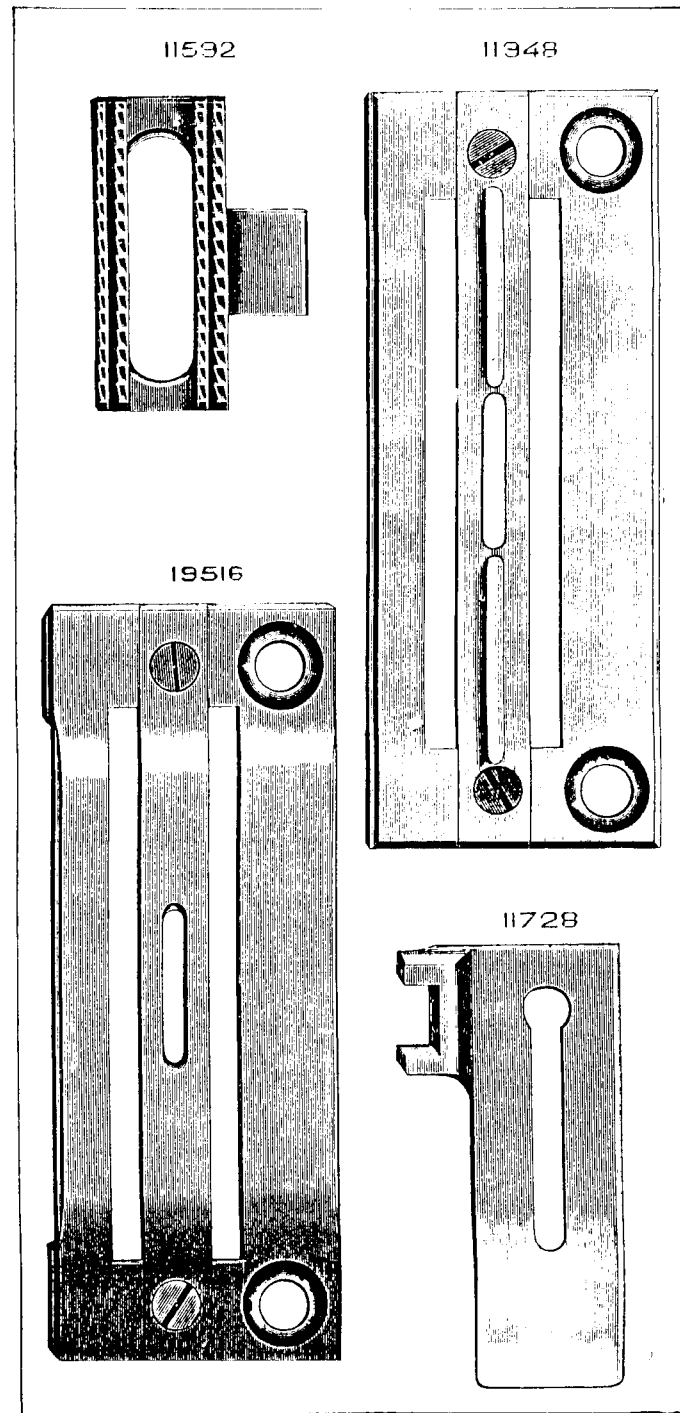


PLATE 847--ONE-HALF SIZE

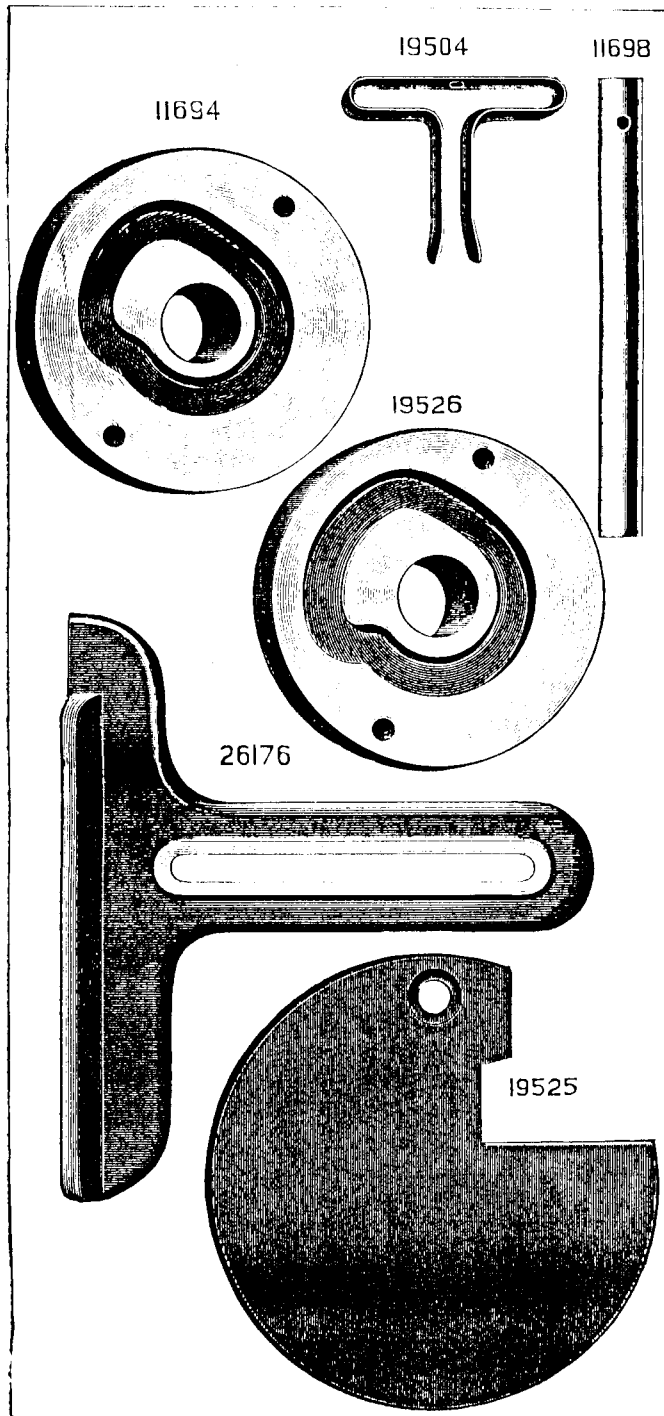


PLATE 848--ONE-HALF SIZE

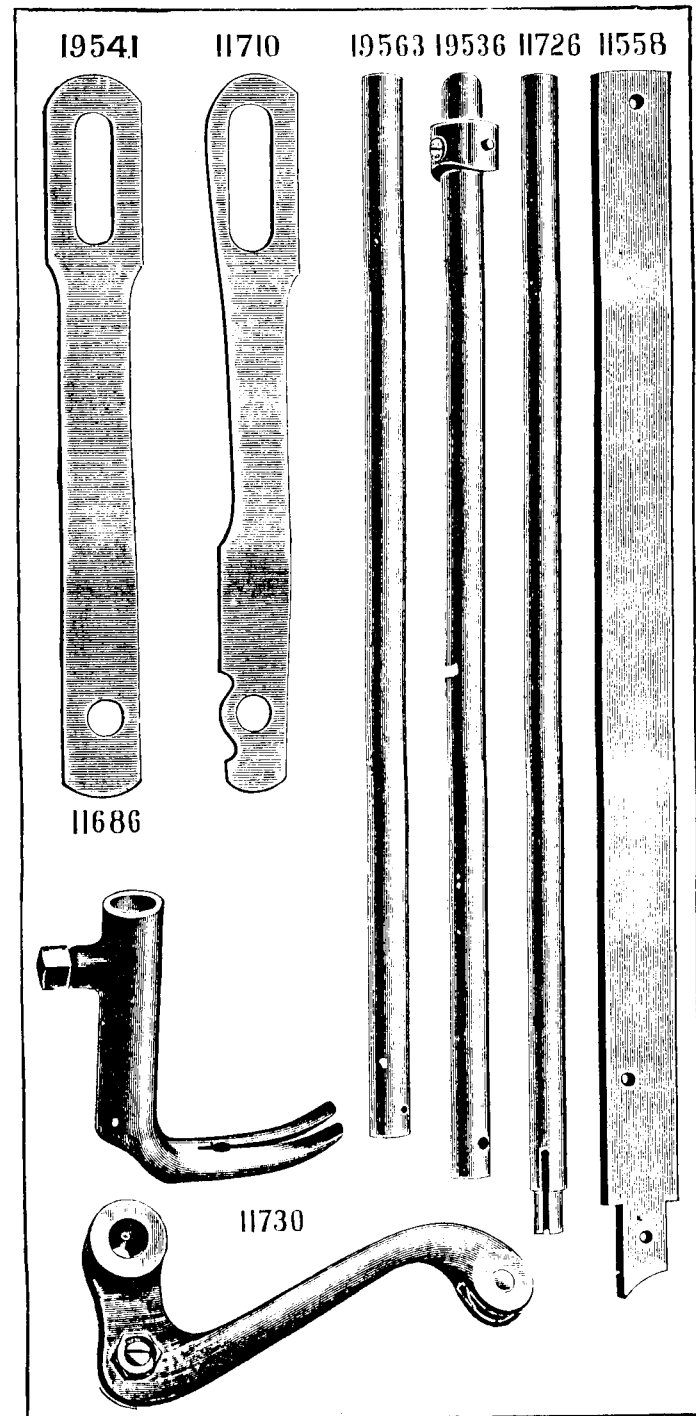


PLATE 849—FULL SIZE

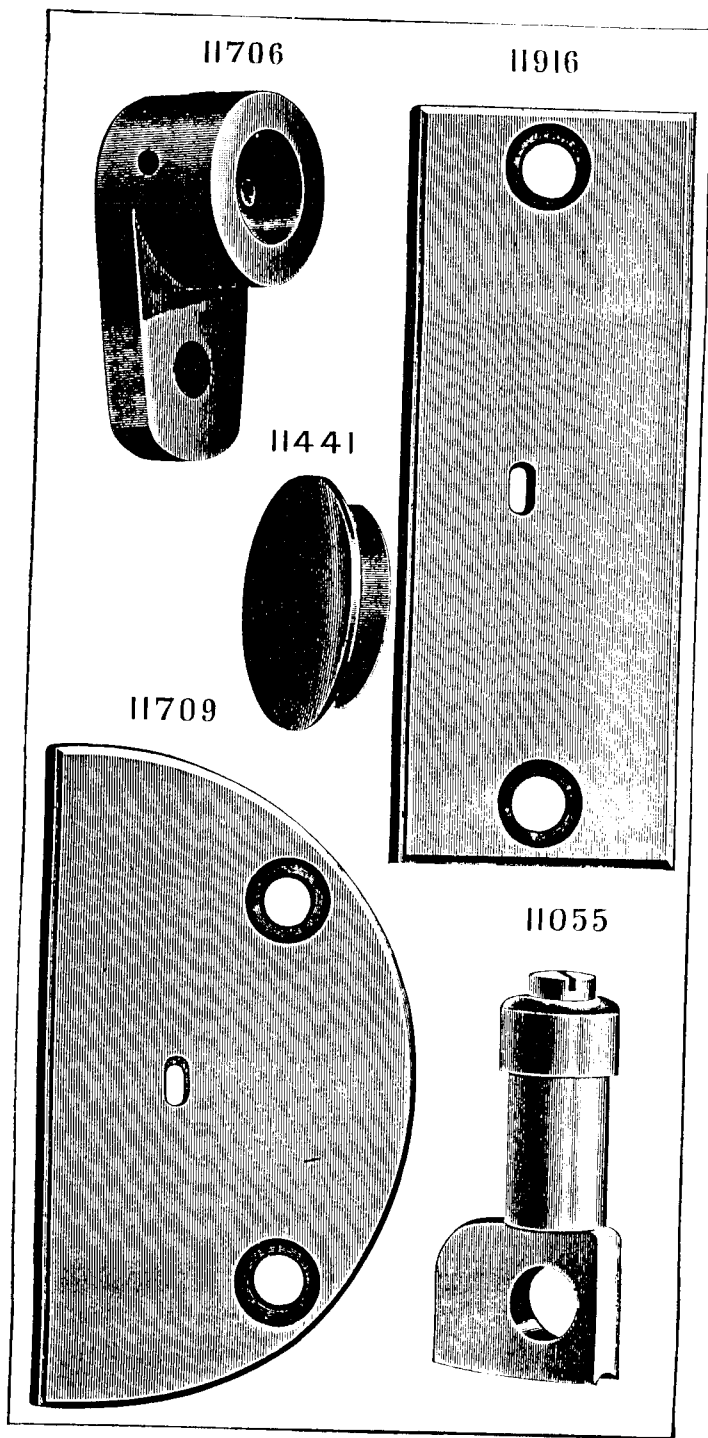


PLATE 850—ONE-HALF SIZE

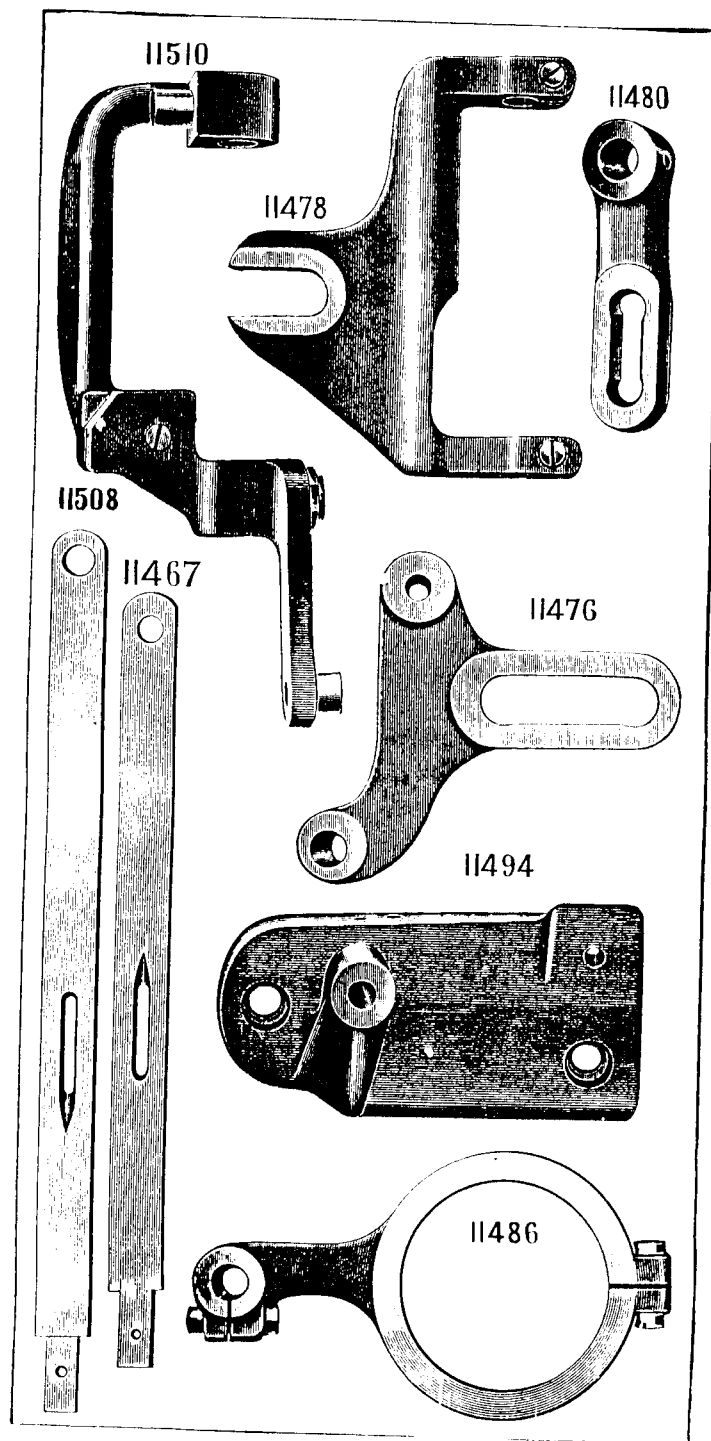


PLATE 851—ONE-HALF SIZE

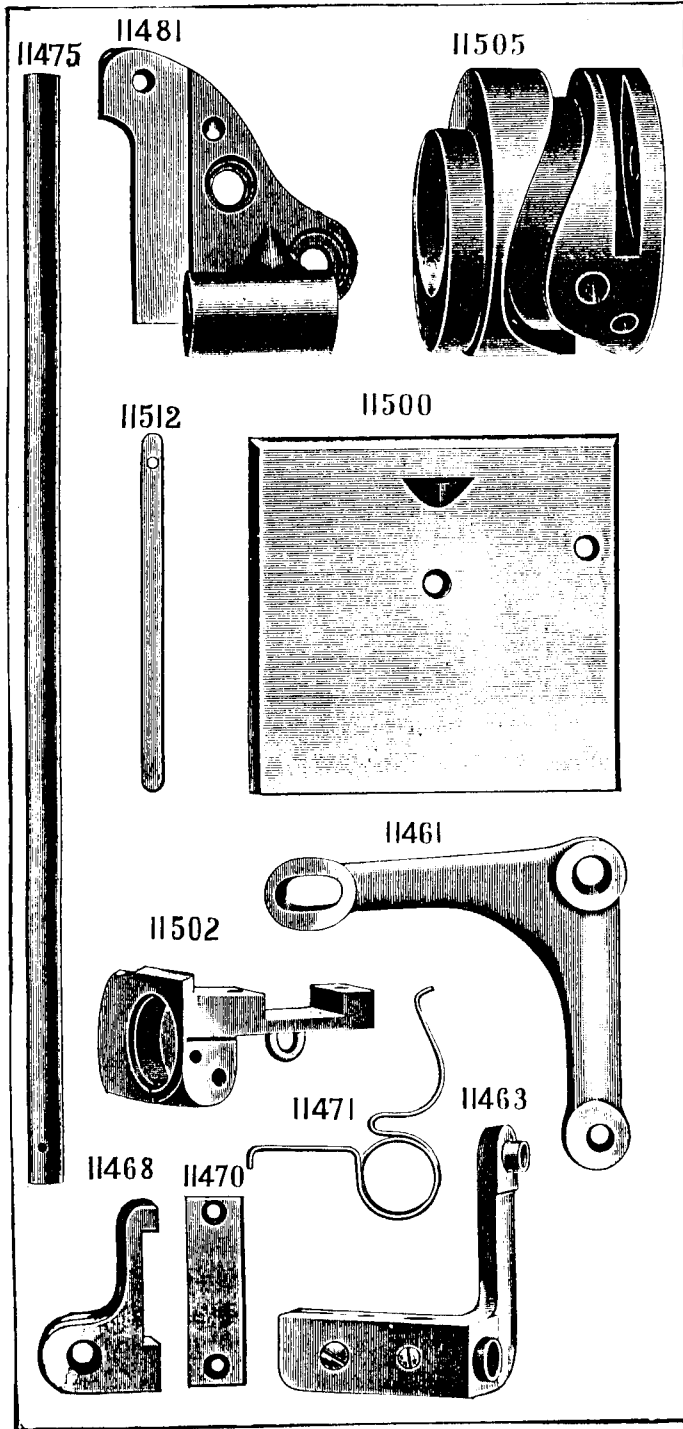


PLATE 853—FULL SIZE

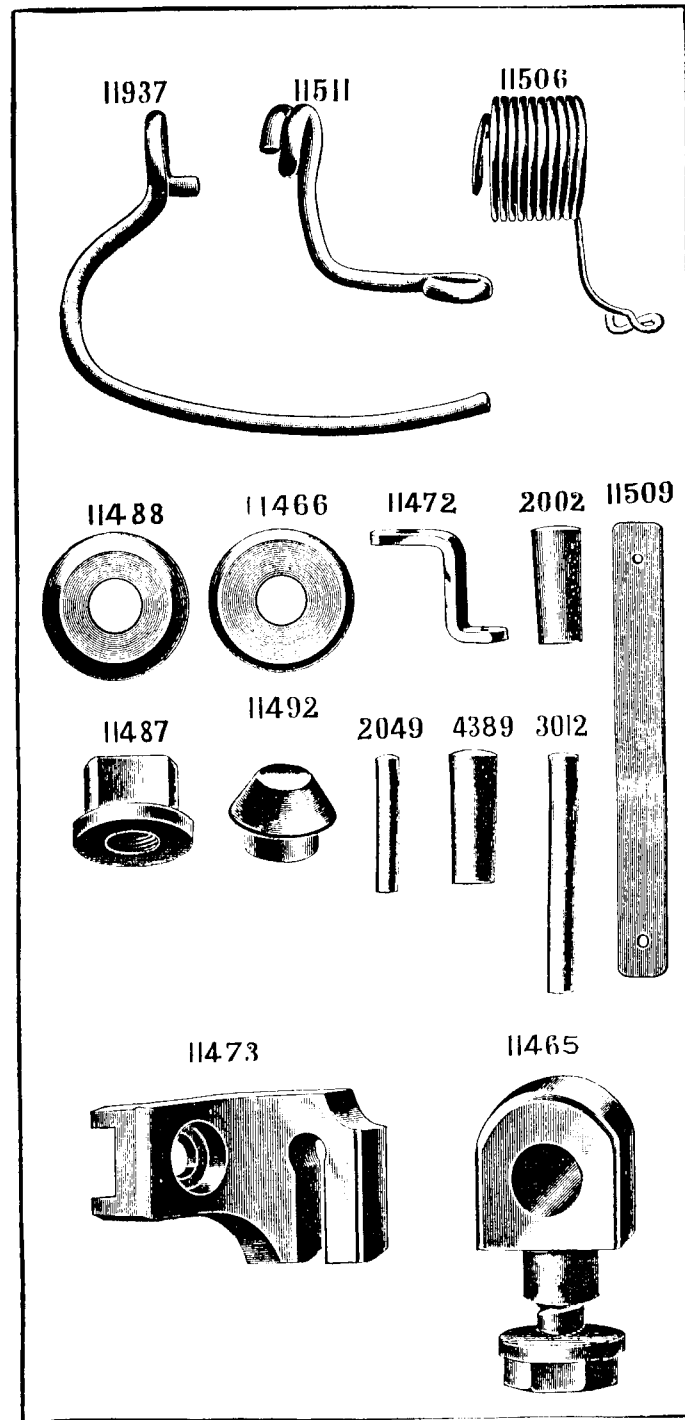


PLATE 858—ONE-HALF SIZE

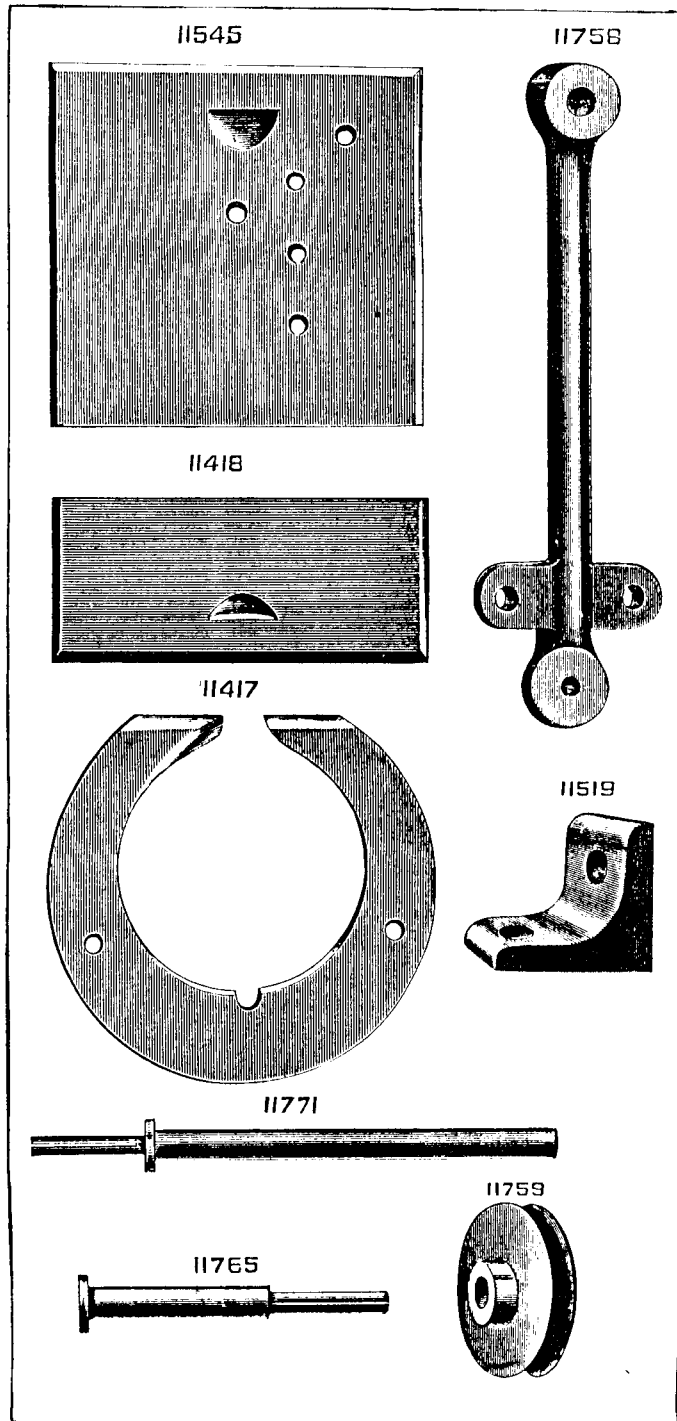


PLATE 859—ONE-HALF SIZE

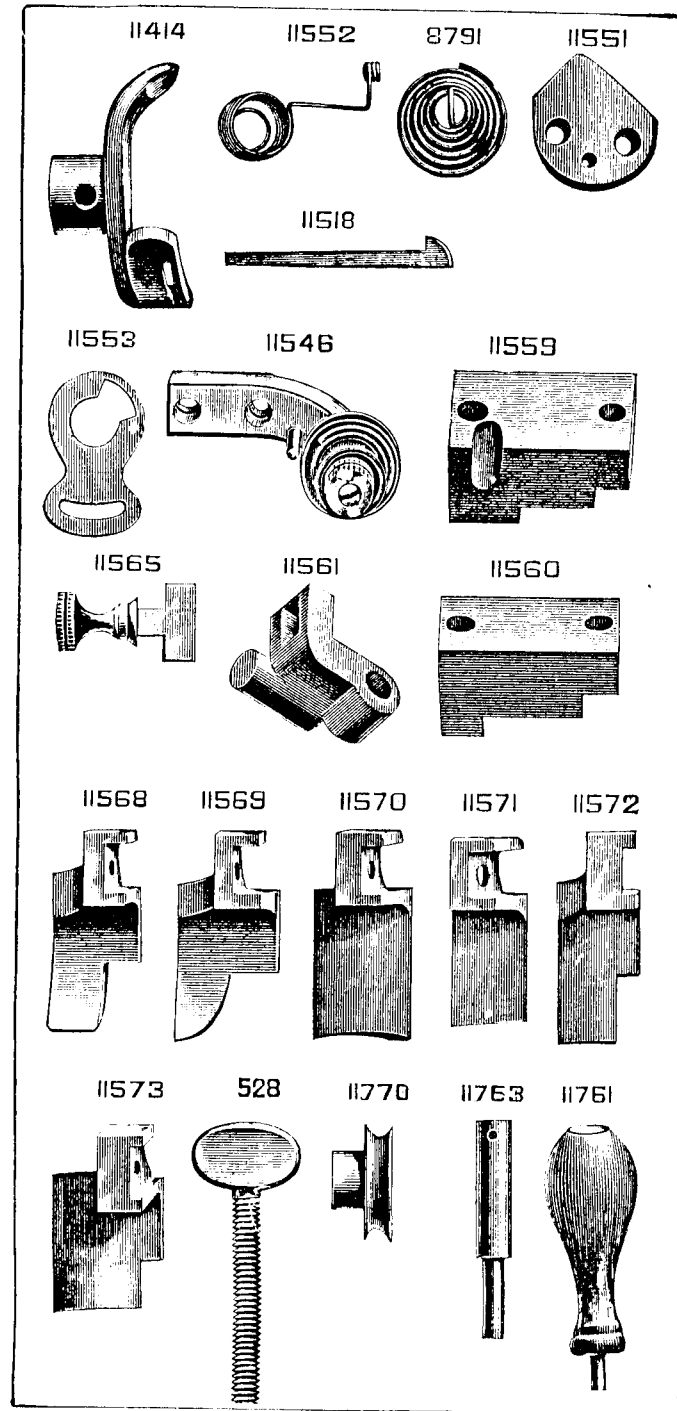


PLATE 862--FULL SIZE

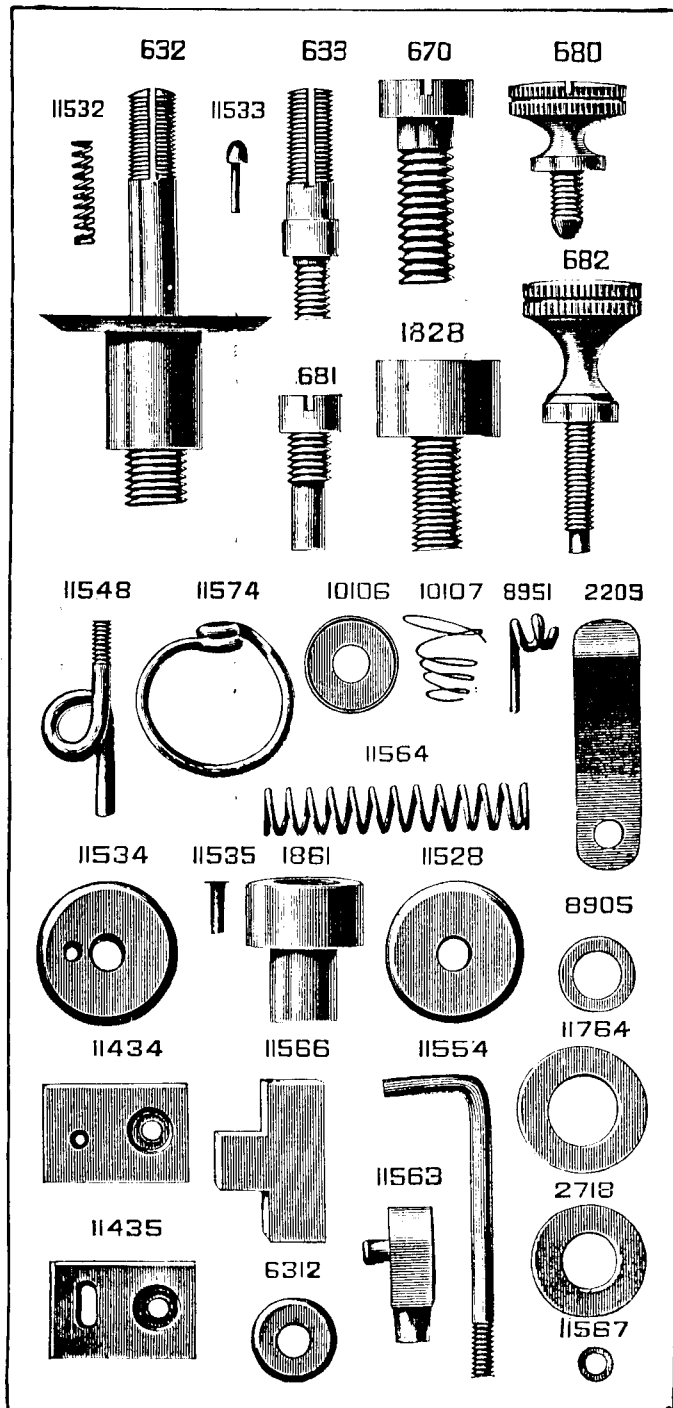


PLATE 863--ONE-FOURTH SIZE

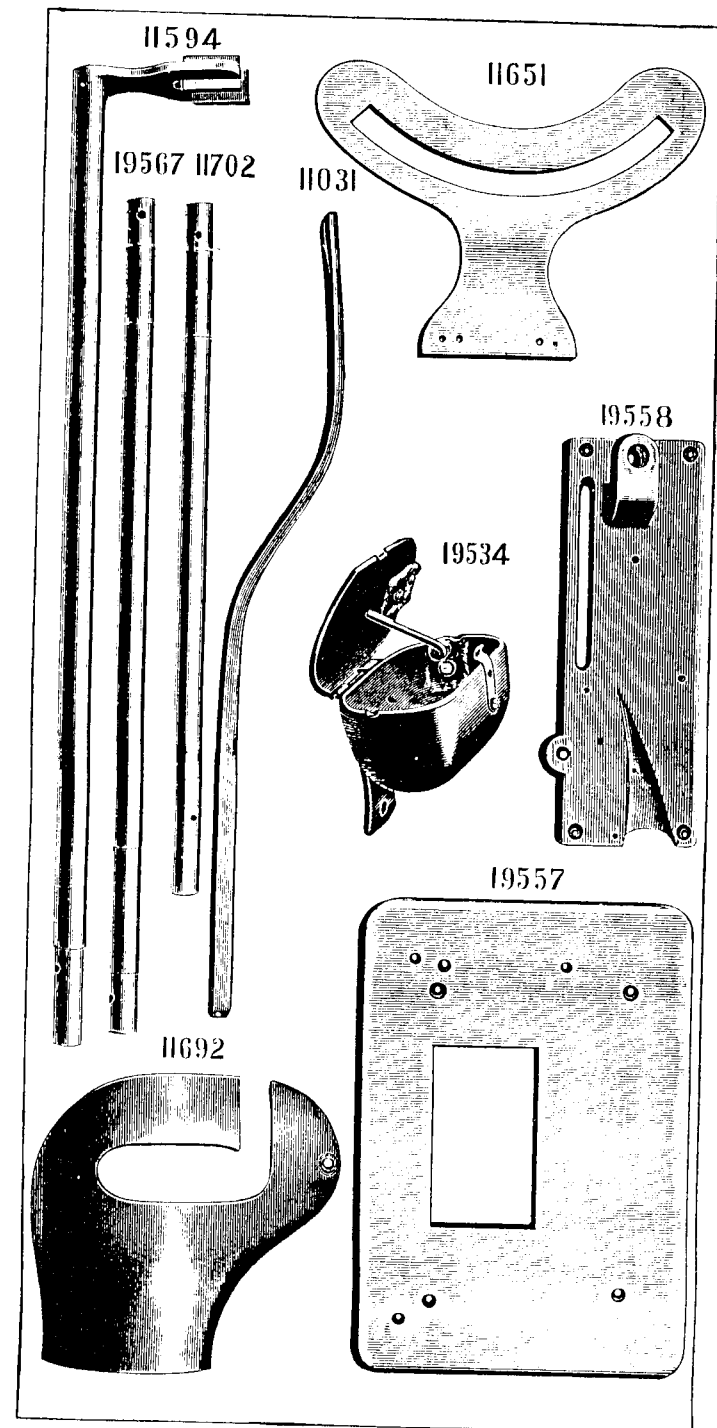


PLATE 870—ONE-FOURTH SIZE

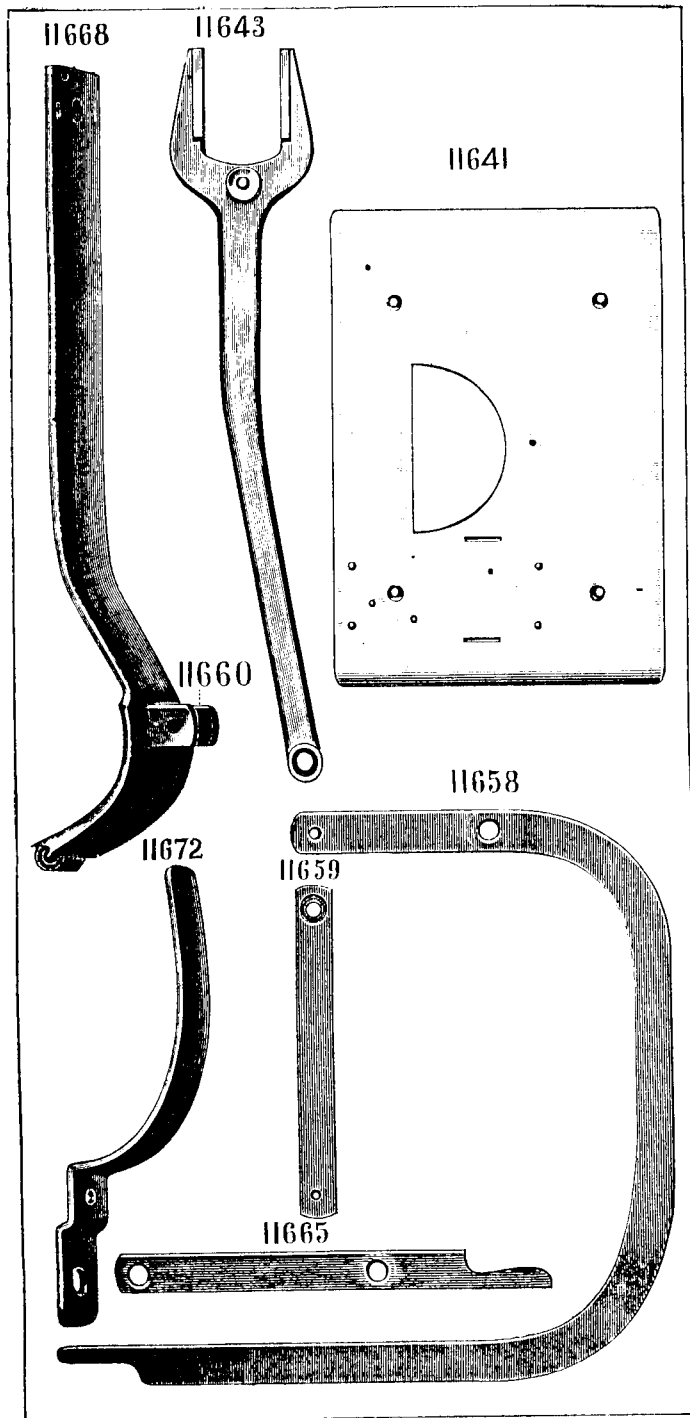


PLATE 871—FULL SIZE

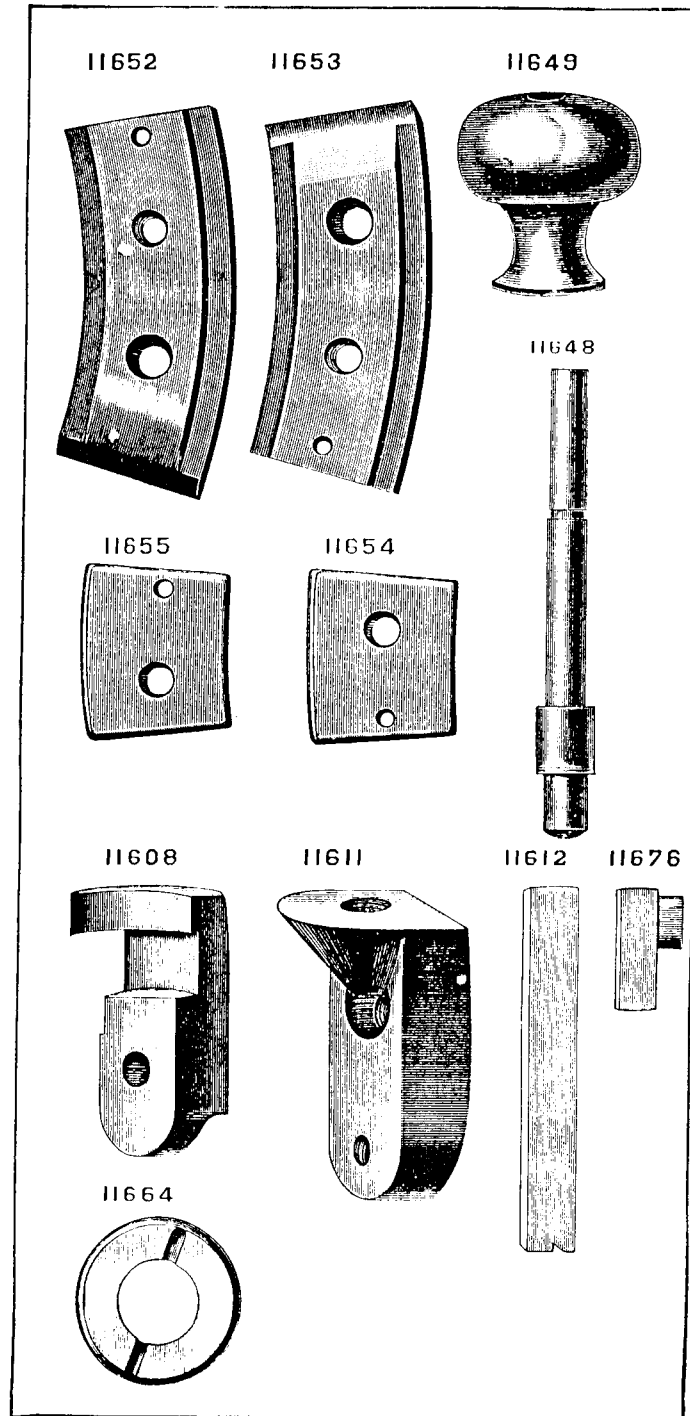


PLATE 872—FULL SIZE

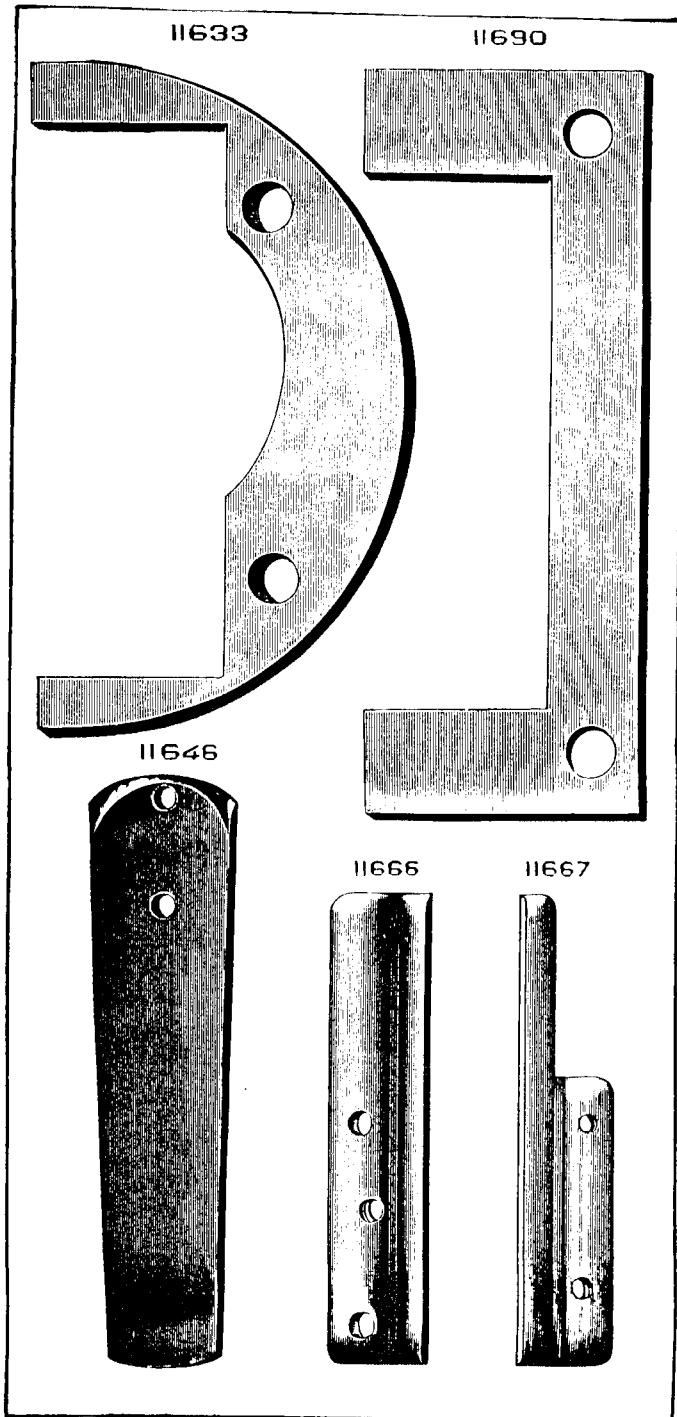


PLATE 874—FULL SIZE

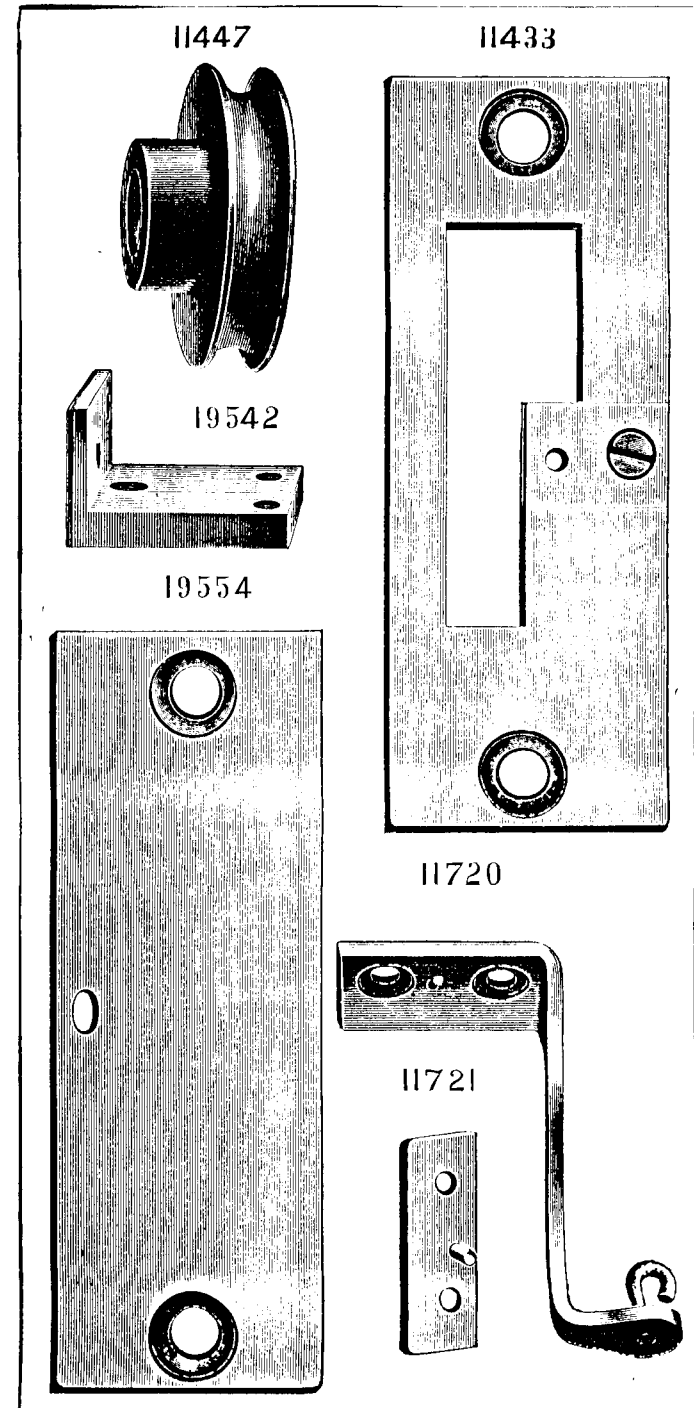


PLATE 885—FULL SIZE

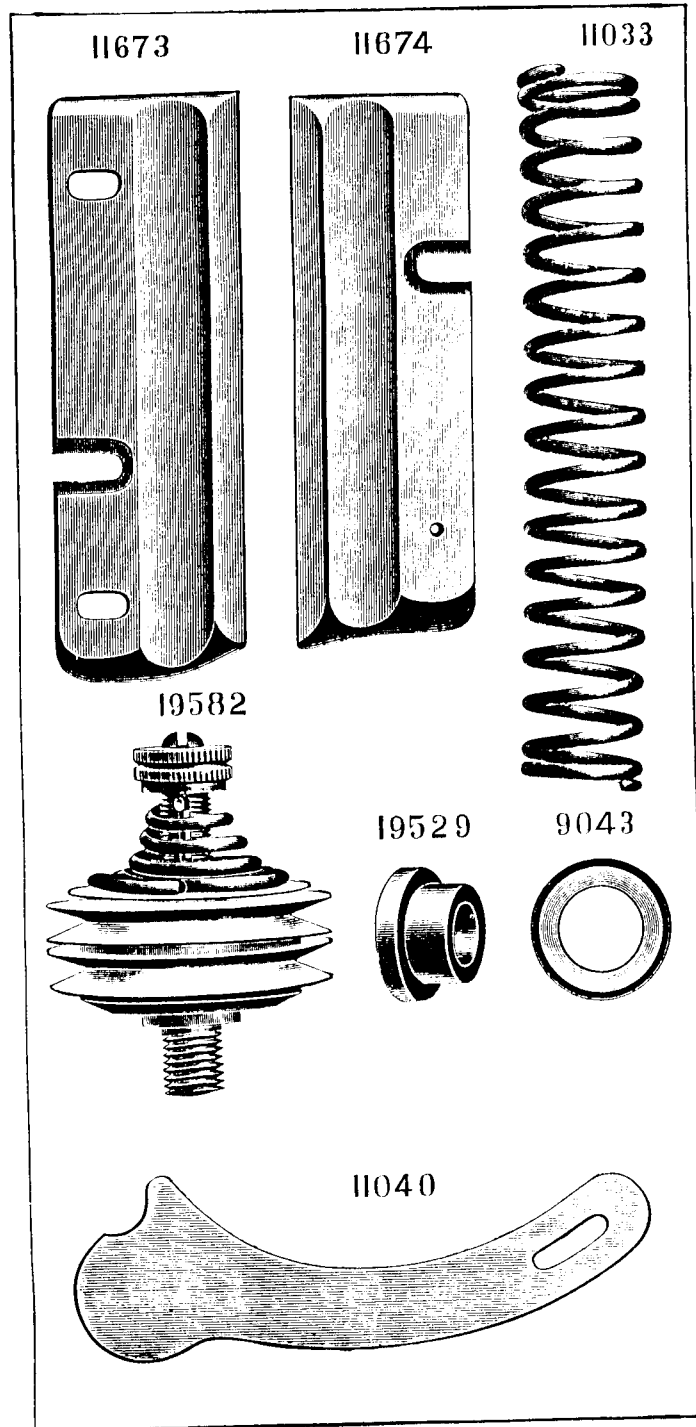


PLATE 886—FULL SIZE

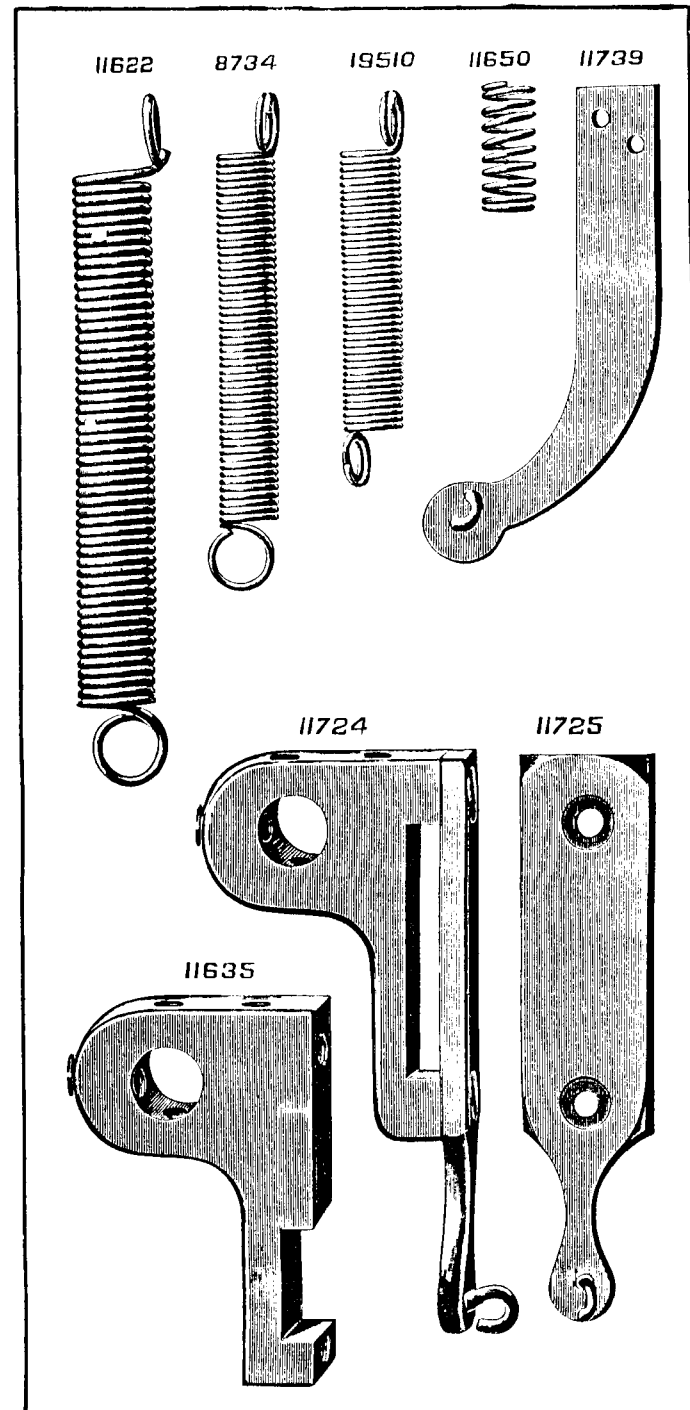


PLATE 889—FULL SIZE

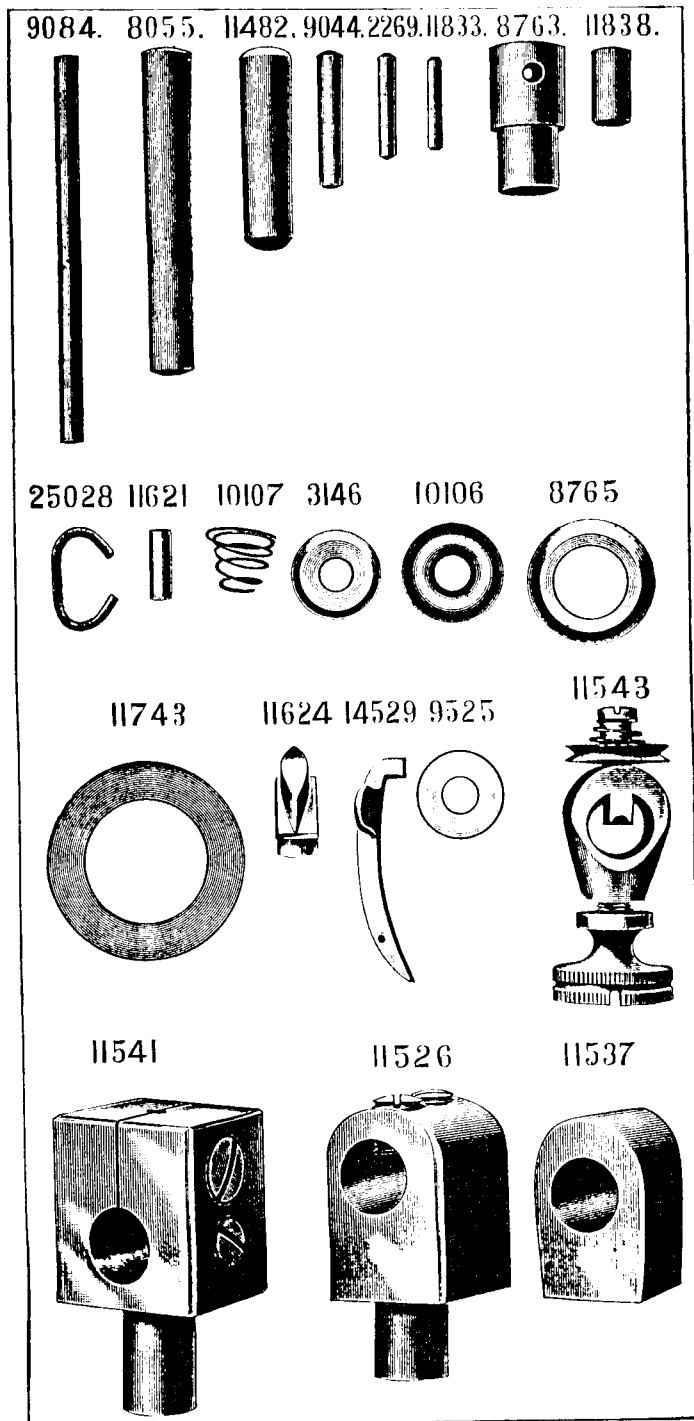


PLATE 890—FULL SIZE

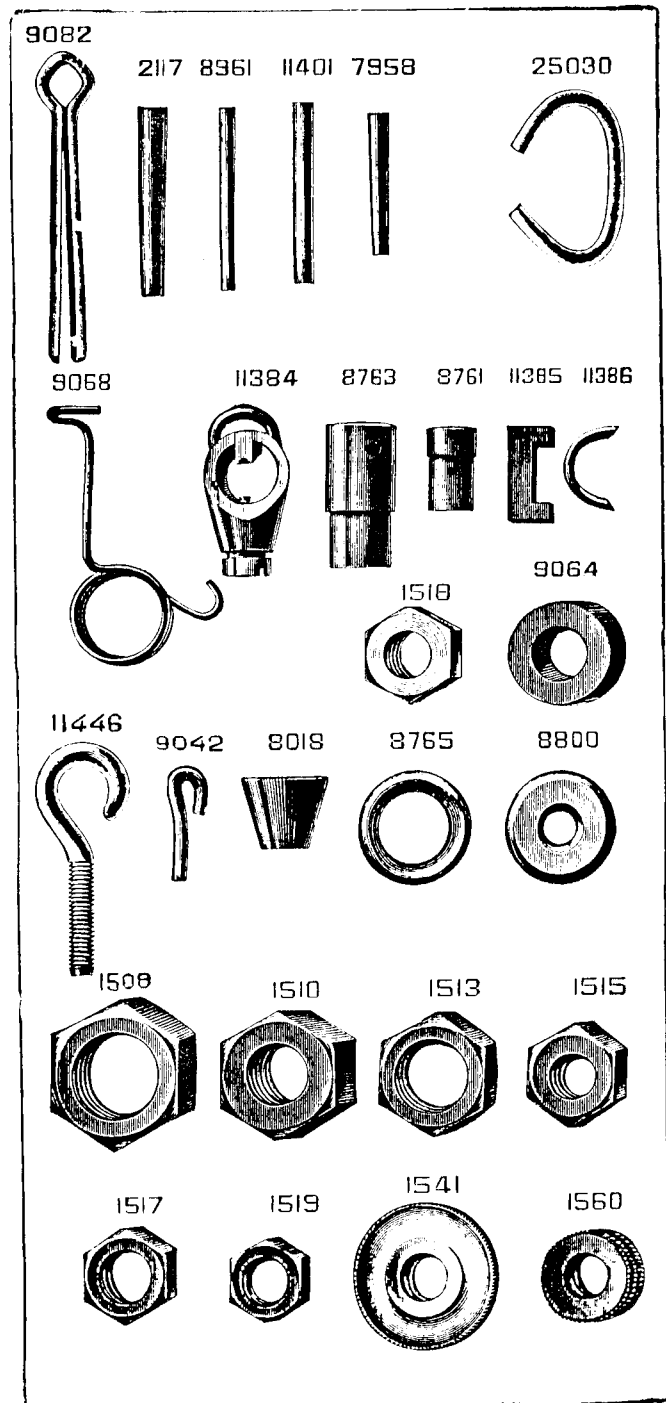


PLATE 894—ONE-HALF SIZE

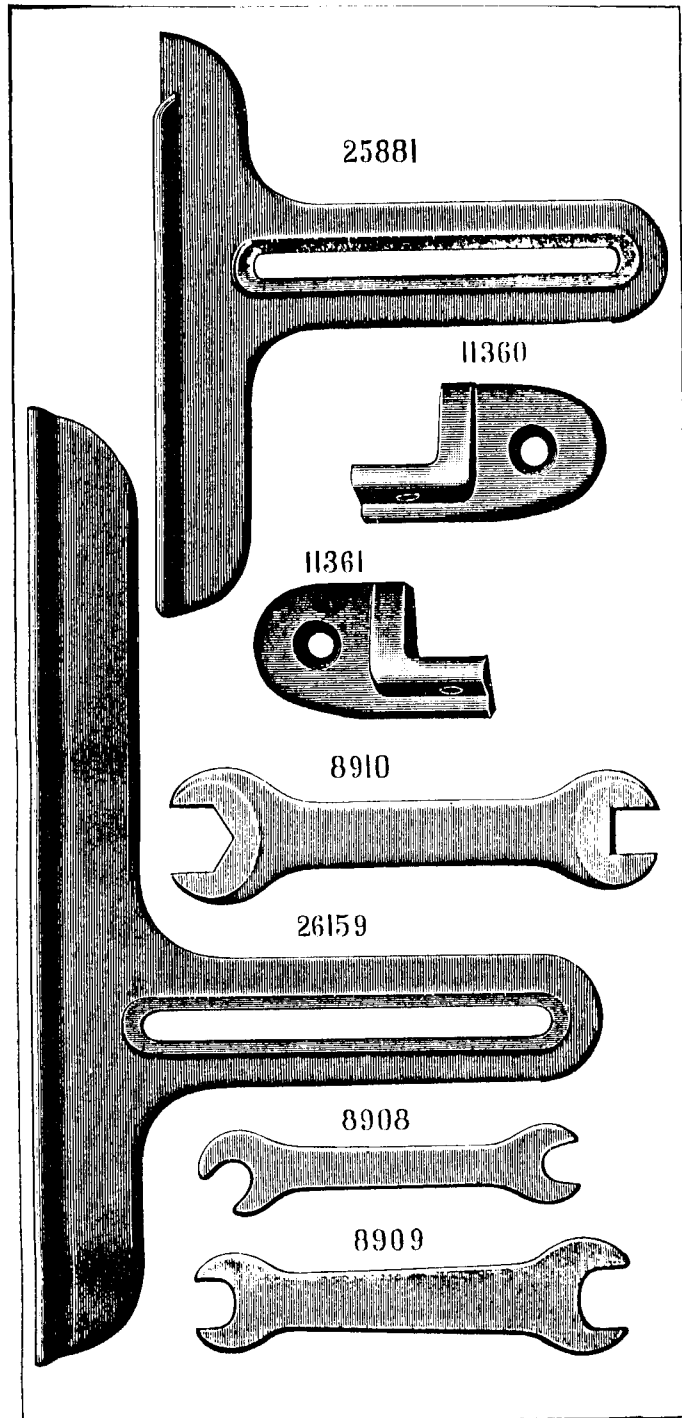


PLATE 895—ONE-HALF SIZE

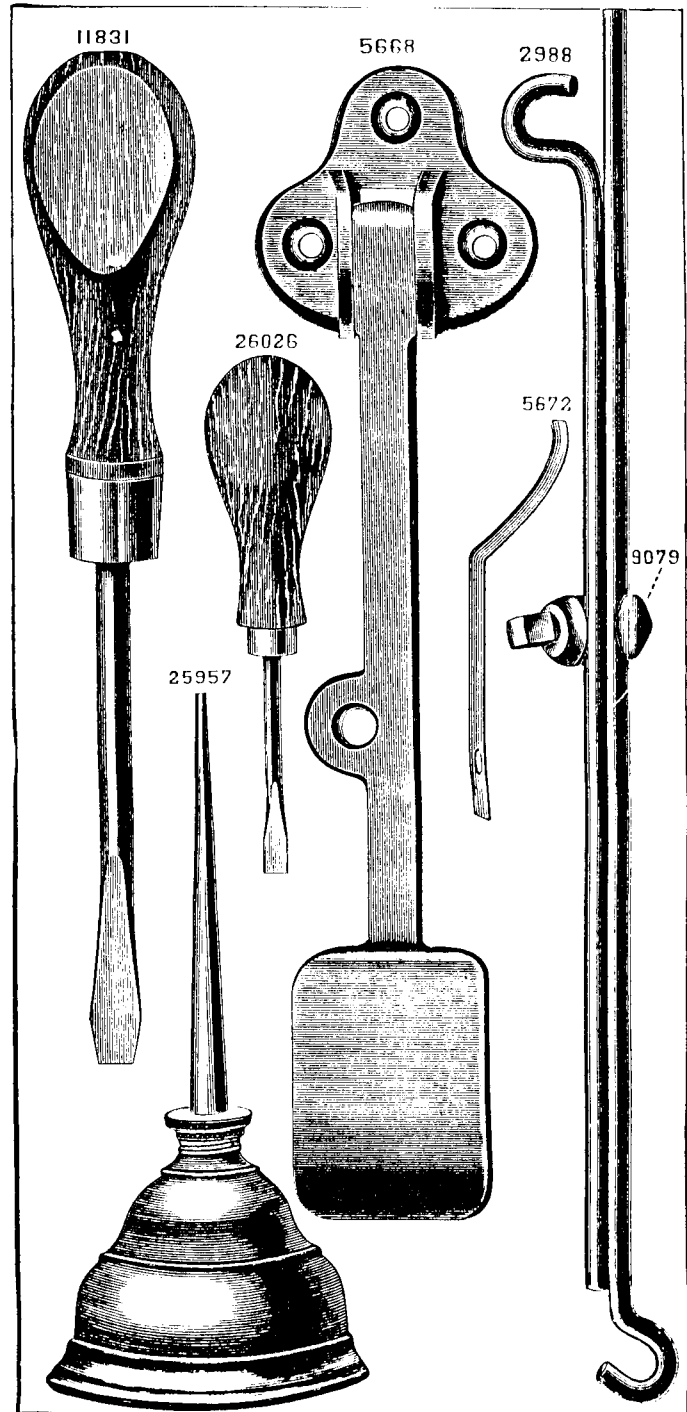


PLATE 900—FULL SIZE

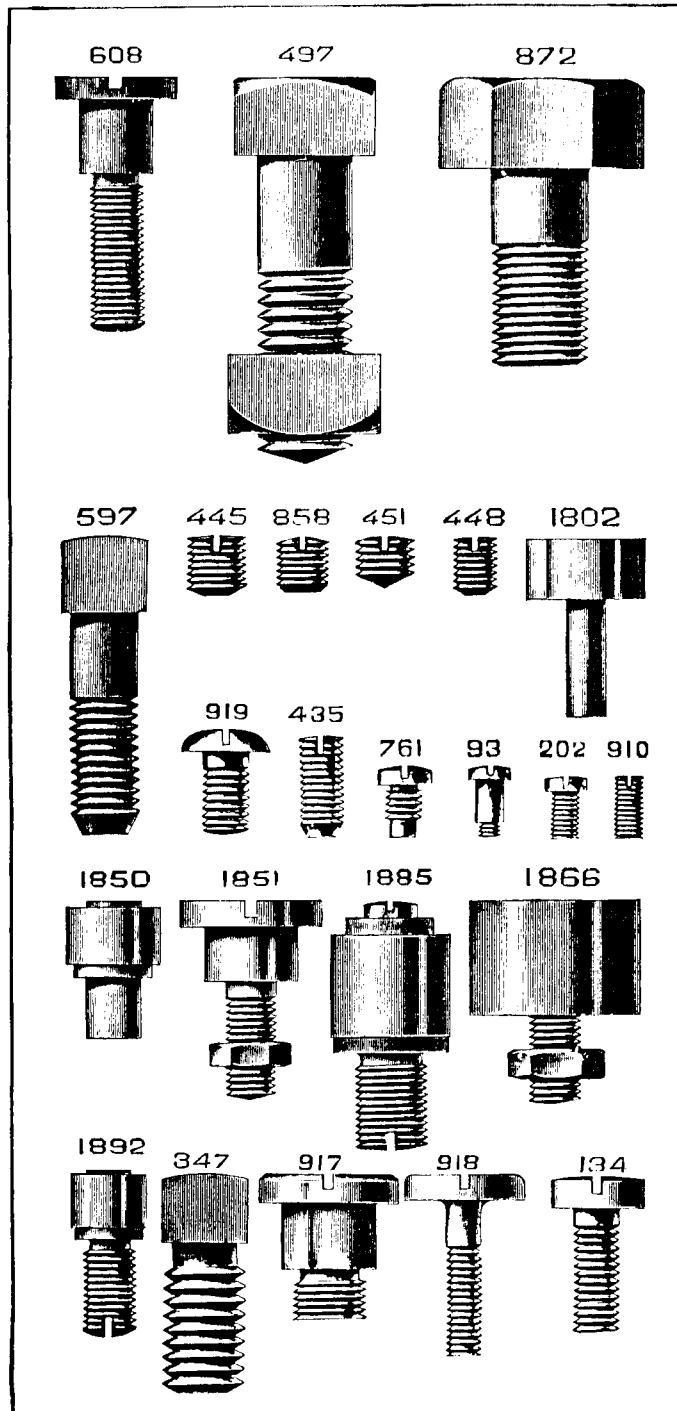


PLATE 901—FULL SIZE

