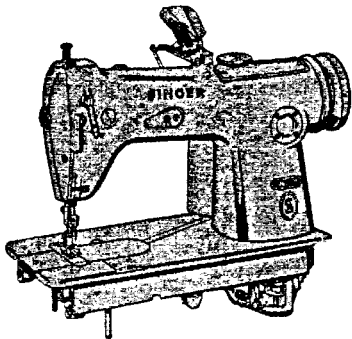


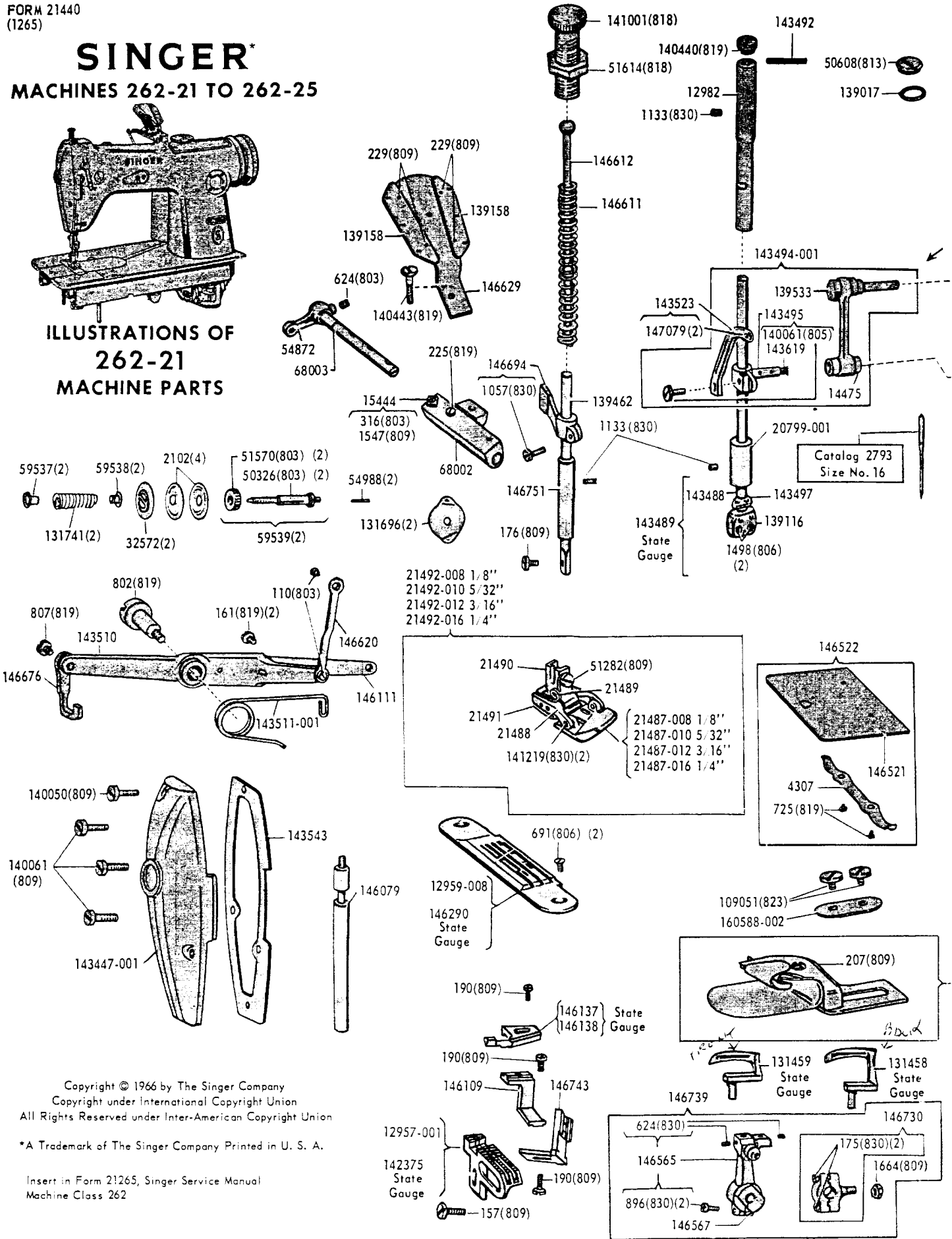
SINGER
262-21 to 262-25

SINGER[®]

MACHINES 262-21 TO 262-25

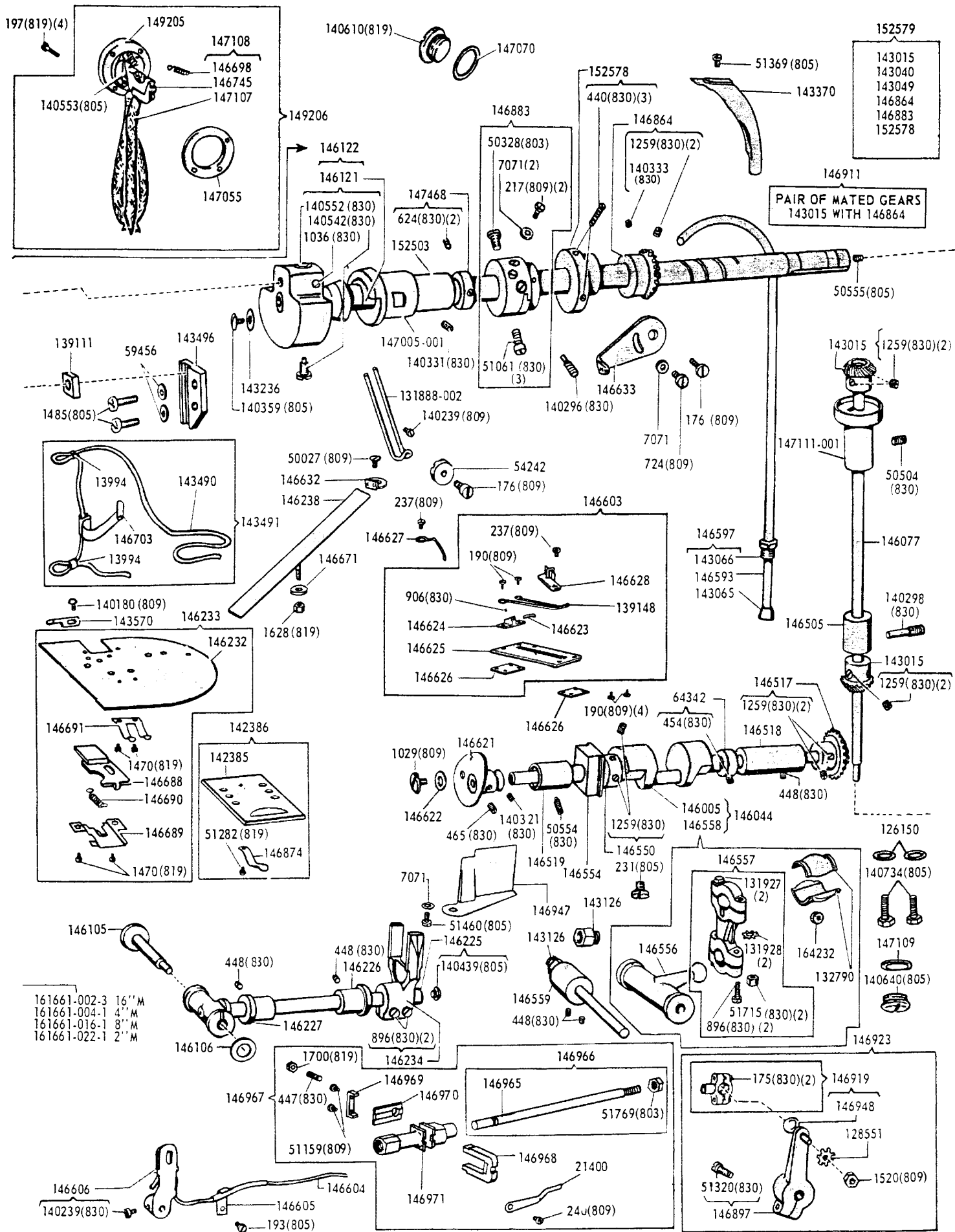


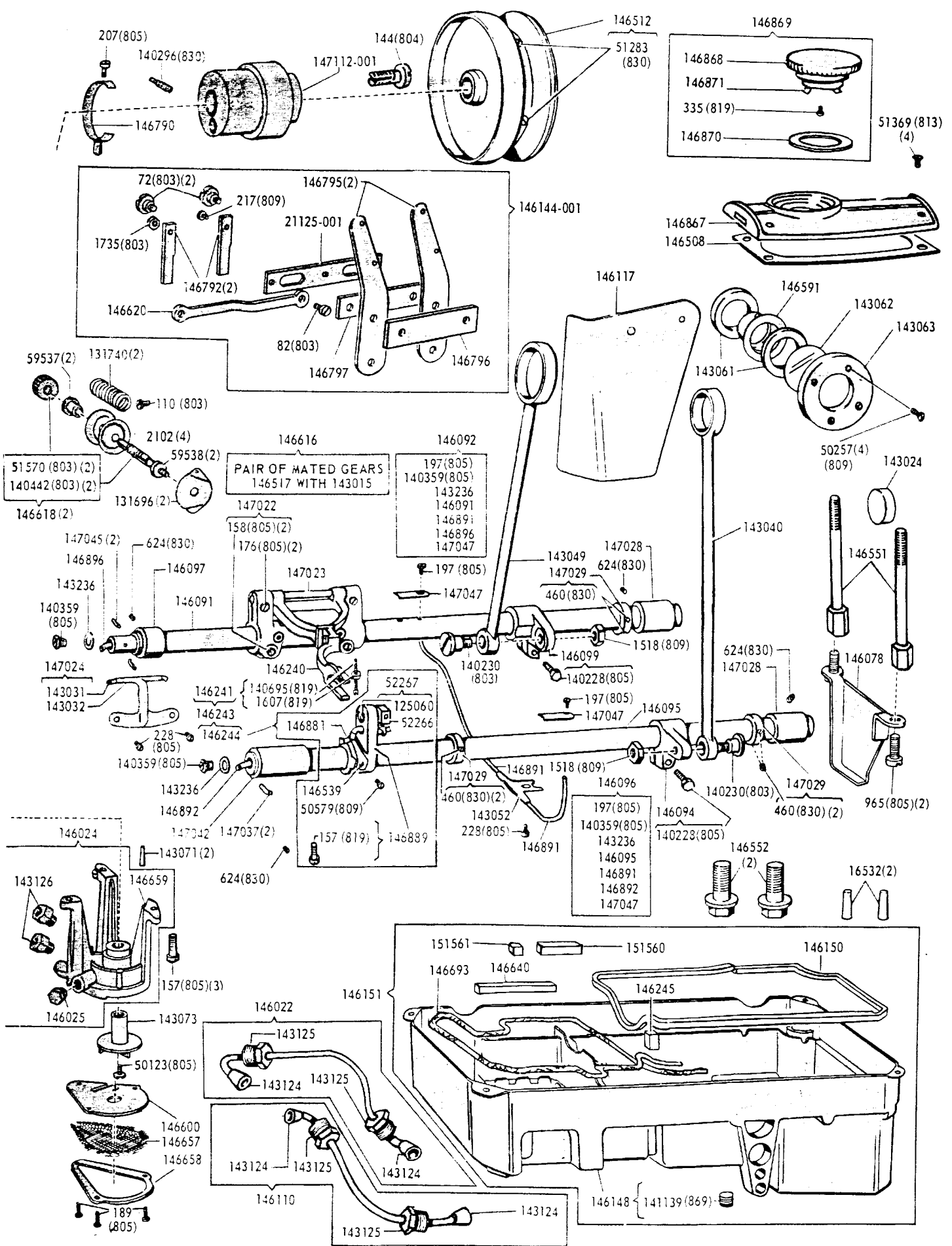
ILLUSTRATIONS OF 262-21 MACHINE PARTS



Copyright © 1966 by The Singer Company
Copyright under International Copyright Union
All Rights Reserved under Inter-American Copyright Union
*A Trademark of The Singer Company Printed in U. S. A.

Insert in Form 21265, Singer Service Manual
Machine Class 262





NUMERICAL LIST OF PARTS
262-21 MACHINE

NUMBER	DESCRIPTION	NUMBER	DESCRIPTION	NUMBER	DESCRIPTION
72(803)	Tension (looper) Thread Releaser Slide Hinge Screw(2)	624(830)	Looper (front) Set Screw	21487-010	Presser Foot Plate for 5/32 in. gauge, for 21492-010
82(803)	Tension (looper thread) Releaser and Releaser Slide Connecting Link Hinge Screw	624(830)	Tension (needle thread) Releasing Shaft Crank Set Screw	21487-012	Presser Foot Plate for 3/16 in. gauge, for 21492-012
110(803)	Tension (needle thread) Releasing Shaft Crank Connecting Link Hinge Screw(2)	691(806)	Throat Plate Screw(2)	21487-016	Presser Foot Plate for 1/4 in. gauge, for 21492-016
110(803)	Tension (looper thread) Releaser Slide Connecting Link Hinge Screw	724(809)	Thread (needle) Eyelet (side of arm) Screw	21488	Presser Foot Plate and Yielding Heel Connection for 21492-008, 21492-010, 21492-012 and 21492-016
144(804)	Arm Shaft (horizontal) Screw (back)	725(819)	Bed Slide (left) Spring Screw(2)	21489	Presser Foot Plate and Yielding Heel Connection Spring for 21492-008, 21492-010, 21492-012 and 21492-016
157(809)	Feed Dog Screw	802(819)	Presser Bar Lifting Lever Hinge Screw	21490	Presser Foot Shank for 21492-008, 21492-010, 21492-012 and 21492-016
157(819)	Feed Lifting Rock Shaft Crank (front) Clamping Screw	807(819)	Presser Bar Guide Bracket Lifter Hinge Screw	21491	Presser Foot Yielding Heel for 21492-008, 21492-010, 21492-012 and 21492-016
157(805)	Oil Pump (centrifugal) Body Screw(3)	896(830)	Looper Avoiding Eccentric Connection Clamping Screw(2)	21492-008	Presser Foot (triple hinged) complete for 1/8 in. gauge, Nos. 21487-008, 21488, 21489, 21490, 21491, 51282(809) and two each 26276-004 and 141219(830) for use with 12957-001 and 12959-008
158(805)	Feed Bar Carrier Clamping Screw(2)	896(830)	Looper Ball Crank Connection Cap (lower) Screw(2)		Note: No. 21492-008 is furnished as regular to the machine in standard gauge of 1/8 in.
161(819)	Presser Bar Lifting Lever Extension Screw(2)	896(830)	Looper Holder Clamping Screw	21492-010	Presser Foot (triple hinged) complete for 5/32 in. gauge, Nos. 21487-010, 21488, 21489, 21490, 21491, 51282(809) and two each 26276-004 and 141219(830)
175(830)	Looper Ball Crank Pitman End Bearing (right) Body Cap Screw(2)	906(830)	Thread (looper) Take-up Stripper Set Screw	21492-012	Presser Foot (triple hinged) complete for 3/16 in. gauge, Nos. 21487-012, 21488, 21489, 21490, 21491, 51282(809) and two each 26276-004 and 141219(830) for use with 142375 and 146290
175(830)	Looper Ball Crank Pitman End Bearing (left) Cap Screw(2)	965(805)	Bed Leg (back) Screw(2)		Note: No. 21492-012 is furnished as regular to the machine in standard gauge of 3/16 in.
176(805)	Feed Bar Carrier Hinge Pin Clamping Screw(2)	1029(809)	Thread (looper) Take-up Screw	21492-016	Presser Foot (triple hinged) complete for 1/4 in. gauge, Nos. 21487-016, 21488, 21489, 21490, 21491, 51282(809) and two each 26276-004 and 141219(830) for use with 142375 and 146290
176(809)	Presser Foot Screw	1036(830)	Needle Bar Connecting Link Hinge Stud Position Set Screw		Note: No. 21492-016 is furnished as regular to the machine in standard gauge of 1/4 in.
176(809)	Slack Thread Controller Clamp Screw	1057(830)	Presser Bar Guide Bracket Clamping Screw	32572	Tension (needle thread) Releasing Disc(2)
176(809)	Thread (needle) Eyelet (side of arm) Position Screw	1133(830)	Needle Bar Bushing (lower) Set Screw	37160	Presser Foot Plate Connection Spring
189(805)	Oil Pump (centrifugal) Screen Frame Screw(3)	1133(830)	Needle Bar Bushing (upper) Set Screw	50027(809)	Thread (looper) Thread Tube Thread Guide Screw
190(809)	Needle Guard Holder Bracket Screw	1133(830)	Presser Bar Bushing (lower) Set Screw	50123(805)	Oil Pump (centrifugal) Impeller Lacking Screw
190(809)	Needle Guard Holder Screw	1259(830)	Arm Shaft (horizontal) Bevel Gear Set Screw(2)	50257(809)	Oil Flow Window Cap Screw(4)
190(809)	Needle Guard Screw	1259(830)	Arm Shaft (upright) Bevel Gear (lower) Set Screw(2)	50326(830)	Tension (needle thread) Screw Stud(2)
190(809)	Thread (looper) Take-up Stripper Staple Screw(2)	1259(830)	Arm Shaft (upright) Bevel Gear (upper) Set Screw(2)	50328(803)	Feed Regulating Screw
190(805)	Thread (looper) Take-up Stripper Plate Support Plate Screw(4)	1259(830)	Bed Rotary Shaft Bevel Gear Set Screw(2)	50504(830)	Arm Shaft (upright) Bushing (upper) Set Screw
193(805)	Oil Wick Holder Tube Bracket Screw	1470(819)	Looper Avoiding Eccentric Set Screw(2)	50554(830)	Bed Rotary Shaft Bushing (front) Set Screw
197(805)	Feed Lifting Rock Shaft Oil Wick Clamping Plate Screw	1470(819)	Bed Slide (right) Latch Guide Screw(2)	50555(805)	Arm Shaft (horizontal) Plug Screw
197(805)	Feed Rock Shaft Oil Wick Clamping Plate Screw	1470(819)	Bed Slide (right) Spring Screw(2)	50579(809)	Feed Bar Slide Block Oil Wick Holder Screw
197(819)	Oil Removing Wick (head end) Hinge Plate and Cover Screw(4)	1485(805)	Needle Bar Connecting Stud Slide Block Guide Screw(2)	50608(813)	Arm Hole Plug Screw (for access to Needle Bar Bushing Oil Wick)
207(805)	Arm Shaft (horizontal) Flanged Bushing (back) Oil Sump Tube Holder Screw	1498(806)	Needle Set Screw(2)	51061(830)	Feed Eccentric Body Set Screw(3)
207(809)	Lap Seam Feiler Clamping Screw	1518(809)	Feed Lifting Rock Shaft Connecting Rod Hinge Screw Nut	51159(809)	Looper Throw-out Releaser Cap Screw(2)
217(809)	Feed Eccentric Adjusting Washer Screw(2)	1518(809)	Feed Rock Shaft Connecting Rod Hinge Screw Nut	51282(809)	Presser Foot Plate and Yielding Heel Connection Spring Screw
217(809)	Tension (looper thread) Releaser Screw	1520(809)	Looper Ball Crank Pitman Ball Screw Stud (right) Nut	51282(819)	Attachment Slide Spring Screw
225(819)	Tension (needle thread) Screw Stud Hole Plug	1547(809)	Tension (needle thread) Releasing Shaft Stop Screw Nut	51283(830)	Machine Pulley Set Screw(2)
228(805)	Feed Bar Carrier Oil Wick Holder Screw(2)	1607(819)	Feed Dog Stop Screw Nut	51320(830)	Looper Ball Crank Arm Clamping Screw
228(805)	Feed Lifting Rock Shaft and Feed Rock Shaft Oil Wick Holder Screw	1628(819)	Thread (looper) Thread Tube Screw Stud Nut	51369(813)	Arm Top Cover Screw(4)
229(809)	Thread (needle) Thread Guide Screw(4)	1664(809)	Looper Ball Crank Pitman End Bearing (left) Nut	51369(805)	Oil Lead Screw
231(805)	Looper Holder Rock Shaft Bracket Oil Plug Screw(back)	1700(819)	Looper Throw-out Releaser Guide Screw and Pitman Rod Stop Nut	51460(805)	Looper Ball Crank Pitman Rod Oil Shield Screw
237(809)	Thread (looper) Take-up Thread Guide (left) Screw	1735(803)	Tension (looper thread) Releaser and Releaser Slide Connecting Link Hinge Screw Nut	51570(803)	Tension (looper thread) Regulating Thumb Nut(2)
237(809)	Thread (looper) Take-up Thread Guide (right) Screw	4307	Bed Slide (left) Spring	51570(803)	Tension (needle thread) Regulating Thumb Nut(2)
237(809)	Thread (looper) Take-up Stripper Plate Screw	7071	Feed Eccentric Clamping Washer(2)	51614(818)	Pressure Regulating Thumb Nut
240(809)	Looper Throw-out Spring Screw	7071	Looper Ball Crank Pitman Rod Oil Shield Screw Washer	51715(830)	Looper Ball Crank Connection Cap (upper) Screw Stud Nut(2)
316(803)	Tension (needle thread) Releasing Shaft Stop Screw	7071	Thread (needle) Eyelet (side of arm) Position Screw Washer	51769(803)	Looper Ball Crank Pitman Rod Nut
335(819)	Arm Top Cover and Stitch Regulator Cap Latch Screw	2102	Tension (looper thread) Disc(4)	52266	Feed Bar Slide Block
440(830)	Feed Lifting Eccentric Set Screw(3)	2102	Tension (needle thread) Disc(4)	52267	Feed Bar Slide Block 52266 with 125060
447(830)	Looper Throw-out Releaser Guide Screw and Pitman Rod Stop	12957-001	Feed Dog (18 teeth to the inch) for either 3/32 in. or 1/8 in. gauges, for chaining-off, for 10 to 18 stitches per inch for use with 12959-008 and 21492-008	54242	Slack Thread Controller Clamp
448(830)	Bed Rotary Shaft Bushing (back) Set Screw		Note: No. 12957-001 is furnished as regular to the machine when called for in standard gauge of 1/8 in.	54872	Tension (needle thread) Releasing Shaft Crank with 624(830)
448(830)	Looper Ball Crank Hinge Pin Set Screw(2)	12959-008	Throat Plate for 1/8 in. gauge, for chaining-off, for 10 to 18 stitches per inch for use with 12957-001 and 21492-008	54988	Tension (needle thread) Releasing Pin(2)
448(830)	Looper Holder Rock Shaft Bushing (back) Set Screw		Note: No. 12959-008 is furnished as regular to the machine when called for in standard gauge of 1/8 in.		
448(830)	Looper Holder Rock Shaft Bushing (front) Set Screw	12982	Needle Bar Bushing (upper)		
454(830)	Bed Rotary Shaft Collar Set Screw	13994	Needle Bar Bushing (lower and upper) Oil Wick Clip(2)		
460(830)	Feed Lifting Rock Shaft Collar Set Screw(4)	14475	Needle Bar Connecting Link Screw Cap Disc (fiber)		
460(830)	Feed Rock Shaft Collar Set Screw(2)	15444	Tension (needle thread) Releasing Shaft Stop Screw 316(803) with 1547(809)		
465(830)	Thread (looper) Take-up Screw Set Screw	16532	Arm Dowel Pin(2)		
624(830)	Arm Shaft (horizontal) Thrust Collar Set Screw(2)	20799-001	Needle Bar Bushing (lower)		
624(830)	Feed Lifting Rock Shaft Bushing (back) Set Screw	21125-001	Tension (looper thread) Releaser Slide		
624(830)	Feed Lifting Rock Shaft Bushing (front) Set Screw	21400	Looper Throw-out Spring		
624(830)	Feed Rock Shaft Bushing (back) Set Screw	21487-008	Presser Foot Plate for 1/8 in. gauge, for 21492-008		
624(830)	Feed Rock Shaft Bushing (front) Set Screw				
624(830)	Looper (back) Set Screw				

NUMBER	DESCRIPTION	NUMBER	DESCRIPTION	NUMBER	DESCRIPTION
59456	Needle Bar Connecting Stud Slide Block Guide Screw Washer(2)	140359(805)	Feed Rock Shaft Oil Plug Screw	143491	Needle Bar Bushing (lower and upper) Oil Wick complete, Nos. 143490, 146703 and two 13994
59537	Tension (needle thread) Spring Bushing (large)(2)	140439(805)	Looper Holder Rock Shaft Oil Plug Screw	143492	Needle Bar Bushing (lower and upper) Oil Wick Guide Tube (in Arm)
59537	Tension (looper thread) Spring Bushing (large)(2)	140440(819)	Needle Bar Bushing (upper) Oil Plug Screw	143494-001	Needle Bar Connecting Link with 14475, 139533 and 143495
59538	Tension (looper thread) Spring Bushing (small)(2)	140442(803)	Tension (looper thread) Screw Stud(2)	143495	Needle Bar Connecting Stud with 140061(805) and 143619
59538	Tension (needle thread) Spring Bushing (small)(2)	140443(809)	Tension (needle thread) Bracket Screw	143496	Needle Bar Connecting Stud Slide Block Guide
59539	Tension (needle thread) Screw Stud 50326(803) with 51570(803)(2)	140542(830)	Needle Bar Crank Position Screw	143497	Needle Clamp Thread Guide
64342	Bed Rotary Shaft Collar with 454(830)	140552(830)	Needle Bar Connecting Link Hinge Stud Clamping Screw	143510	Presser Bar Lifting Lever
68002	Tension (needle thread) Bracket	140553(805)	Oil Removing Wick (head end) Holder Body Hinge Screw	143511-001	Presser Bar Lifting Lever Spring
68003	Tension (needle thread) Releasing Shaft Lap Seam Feller Clamping Plate Screw(2)	140610(819)	Arm Hole Plug Screw (for access to Needle Bar Connecting Link Hinge Stud Clamping Screw and Needle Bar Connecting Link Hinge Stud Position Set Screw)	143523	Thread (needle) Take-up with two 147079
109051(823)	Lap Seam Feller Clamping Plate Screw(2)	140640(805)	Looper Holder Rock Shaft Bracket Oil Plug Screw (front)	143543	Face Plate Gasket
125060	Feed Bar Slide Block Hinge Stud	140695(819)	Feed Dog Stop Screw	143570	Thread Guide (front of Arm)
126150	Looper Holder Rock Shaft Bracket Screw Washer(2)	140734(805)	Looper Holder Rock Shaft Bracket Screw(2)	143619	Needle Bar Connecting Stud Oil Wick (felt)
128551	Looper Ball Crank Pitman Ball Screw Stud (right) Nut Locking Plate	141001(818)	Pressure Regulating Thumb Screw	146005	Bed Rotary Shaft
131458	Looper (back) closed eye, for 3/32 in. to 1/2 in. gauges, in steps of 1/32 in., for lap seam felling Note: No. 131458 is furnished as regular to the machine when called for in standard gauges of 1/8 in., 3/16 in., 1/4 in. and 1/2 in. Note: When ordering No. 131458, state gauge required.	141139(869)	Machine Base and Oil Reservoir Drain Plug	146022	Oil Pipe with two each 143124 and 143125, for oiling Looper Rock shaft Hinge Pin
131459	Looper (front) closed eye, for 3/32 in. to 1/2 in. gauges, in steps of 1/32 in., for lap seam felling Note: No. 131459 is furnished as regular to the machine when called for in standard gauges of 1/8 in., 3/16 in., 1/4 in. and 1/2 in. Note: When ordering No. 131459, state gauge required.	141219(830)	Presser Foot Plate Hinge Screw for 21492-008, 21492-010, 21492-012 and 21492-016(2)	146024	Oil Pump (centrifugal) Body 146659 with 146025 and two 143126
131696	Tension (looper thread) Thread Guide(2)	142375	Feed Dog, with row of teeth between needles, 22 teeth (18 teeth to the inch), for 5/32 in. to 3/8 in. gauges, for 10 to 18 stitches per inch for chaining-off. For use with 21492-010 and 146290 or 21492-012 and 146290 or 21492-016 and 146290. Note: No. 142375 is furnished as regular to the machine when called for in standard gauges of 5/32 in., 3/16 in. and 1/4 in. When ordering 142375 state gauge required.	146025	Oil Pump (centrifugal) Body Plug
131696	Tension (needle thread) Thread Guard(2)	142385	Attachment Slide	146044	Bed Rotary Shaft 146005 with 132790, 146556, 164232 and two 131928
131740	Tension (looper thread Spring)(2)	142386	Attachment Slide complete, Nos. 51282(819), 142385 and 146874	146077	Arm Shaft (upright)
131741	Tension (needle thread) Spring(2)	143015	Arm Shaft (upright) Bevel Gear (lower) left hand spiral with two 1259(830)	146078	Bed Leg (back)
131888-002	Slack Thread Controller	143015	Arm Shaft (upright) Bevel Gear (upper) left hand spiral with two 1259(830)	146079	Bed Leg (front, long)
131927	Looper Ball Crank Connection Cap (upper) Screw Stud(2)	143024	Bed Hole Plug	146091	Feed Rock Shaft
131928	Looper Ball Crank Connection Cap (upper) Screw Stud Nut Lock Washer(2)	143031	Feed Bar Carrier Oil Wick (felt) for oiling Feed Bar Connecting Link	146092	Feed Rock Shaft Nos. 197(805), 140359(805), 143236, 146091, 146891, 146896, 147047 and suitable length of No. 1229 White Lighter Wicking
132790	Looper Ball Crank Connection Bail Sleeve (two pieces)	143032	Feed Bar Carrier Oil Wick Holder	146094	Feed Lifting Rock Shaft Crank (back) with 140228(805)
139017	Arm Hole Plug Screw Washer (for use with 50608)	143040	Feed Lifting Rock Shaft Connecting Rod	146095	Feed Lifting Rock Shaft
139111	Needle Bar Connecting Stud Slide Block	143049	Feed Rock Shaft Connecting Rod	146096	Feed Lifting Rock Shaft Nos. 197(805), 140359(805), 143236, 146095, 146891, 146892, 147047 and suitable length of No. 1229 White Lighter Wicking
139116	Needle Clamp with two 1498(806), for 3/32 in. to 3/8 in. gauges Note: No. 139116 is furnished as regular to the machine when called for in standard gauges of 1/8 in., 3/16 in. and 1/4 in. Note: When ordering No. 139116, state gauge required.	143052	Feed Lifting Rock Shaft and Feed Rock Shaft Oil Wick Holder	146097	Feed Rock Shaft Bushing (front)
139148	Thread (looper) Take-up Stripper Staple	143061	Oil Flow Body Gasket(2)	146099	Feed Rock Shaft Crank with 140228(805)
139158	Thread (needle) Thread Guide(2)	143062	Oil Flow Window	146105	Looper Holder Hinge Pin
139462	Presser Bar	143063	Oil Flow Window Cap	146106	Looper Holder Hinge Pin Spacer
139533	Needle Bar Connecting Link Screw Cap	143065	Oil Pipe Clamping Sleeve	146109	Needle Guard Holder
140050(809)	Face Plate Screw (upper)	143066	Oil Pipe Clamping Sleeve Nut	146110	Oil Pipe with two each 143124 and 143125, for oiling Thread (under) Take-up Shaft Front Bearing
140061(809)	Face Plate Screw (lower)(3)	143071	Oil Pump (centrifugal) Body Position Pin(2)	146111	Presser Bar Lifting Lever Extension
140061(805)	Needle Bar Connecting Stud and Thread Take-up Lever Clamping Screw	143073	Oil Pump (centrifugal) Impeller	146117	Tension (looper thread) Thread Guard
140180(809)	Thread Guide (front of Arm) Screw	143124	Oil Pipe Clamping Sleeve(4)	146121	Arm Shaft (horizontal) with 1036(830), and 140542(830)
140228(805)	Feed Lifting Rock Shaft Crank (back) Clamping Screw	143125	Oil Pipe Clamping Sleeve Nut(4)	146122	Arm Shaft (horizontal) 146121 with 140359(805), 143236 and 143494-001
140228(805)	Feed Rock Shaft Crank Clamping Screw	143126	Looper Holder Rock Shaft Bracket Oil Pipe Clamping Sleeve Adaptor	146127	Bed Slide (right) Body for 146131
140230(803)	Feed Lifting Rock Shaft Connecting Rod Hinge Screw	143126	Oil Pipe Clamping Sleeve Adaptor (fastened to Looper Ball Crank Hinge Pin)	146128	Bed Slide (right) Body for 146132
140230(803)	Feed Rock Shaft Connecting Rod Hinge Screw	143126	Oil Pipe Clamping Sleeve Adaptor for 146024(2)	146131	Bed Slide (right) Latch-type complete for use with Throat Plates with .054 off-set, Nos. 146127, 146688, 146689, 146690, 146691 and four 1470(819)
140239(830)	Oil Wick Position Bracket Screw	143176	Number Plate Rivet(2)	146132	Bed Slide (right) Latch-type complete for use with Throat Plates with .100 off-set Nos. 146128, 146688, 146689, 146690, 146691 and four 1470(819)
140239(809)	Slack Thread Controller Position Screw	143176	Trade Mark Rivet(2)	146137	Needle Guard for 3/32 in. to 5/32 in. gauges Note: No. 146137 is furnished as regular to the machine when called for in standard gauge of 1/8 in. Note: When ordering No. 146137, state gauge required.
140296(830)	Arm Shaft (horizontal) Bushing (center) Set Screw	143236	Arm Shaft (horizontal) Screw Plug (front) Washer (fiber)	146138	Needle Guard for 3/16 in. to 9/32 in. gauges Note: No. 146138 is furnished as regular to the machine when called for in standard gauges of 3/16 in. and 1/4 in. Note: When ordering No. 146138, state gauge required.
140296(830)	Arm Shaft (horizontal) Flanged Bushing (back) Set Screw	143236	Feed Lifting Rock Shaft Oil Plug Screw Washer (fiber)	146144-001	Tension (looper thread) Releaser, Nos. 82(803), 217(809), 1735(803), 21125-001, 146620, 146796, 146797 and two each 72(803), 146792 and 146795
140298(830)	Arm Shaft (upright) Bushing (lower) Set Screw	143370	Feed Rock Shaft Oil Plug Screw Washer (fiber)	146148	Machine Base and Oil Reservoir with 141139(869)
140321(830)	Bed Rotary Shaft Oil Plug Screw	143447-001	Oil Lead	146150	Machine Base and Oil Reservoir Gasket (left)
140331(830)	Arm Shaft (horizontal) Flanged Bushing (front) Set Screw	143488	Face Plate		
140333(830)	Arm Shaft (horizontal) Bevel Gear Position Screw	143489	Needle Bar (hollow)		
140359(805)	Arm Shaft (horizontal) Screw Plug (front)		Needle Bar complete for 3/32 in. to 3/8 in. gauges, Nos. 139116, 143488 and 143497 Note: No. 143489 is furnished as regular to the machine when called for in standard gauges of 1/8 in., 3/16 in. and 1/4 in. Note: When ordering No. 143489, state gauge required.		
140359(805)	Feed Lifting Rock Shaft Oil Plug Screw	143490	Needle Bar Bushing (lower and upper) Oil Wick		

NUMBER	DESCRIPTION	NUMBER	DESCRIPTION	NUMBER	DESCRIPTION
146151	Machine Base and Oil Reservoir 146148 with 146150, 146245, 146640, 146693, 151560 and 151561	146626	Thread (looper) Take-up Stripper Plate Support Plate(2) Note: One No. 146626 is screwed on to Machine Bed	146970	Looper Throw-out Releaser Guide
146167	Presser Foot Plate Connection	146627	Thread (looper) Take-up Thread Guide (left)	146971	Looper Throw-out Sleeve
146225	Looper Holder Rock Shaft with 140439(805)	146628	Thread (looper) Take-up Thread Guide (right)	147005-001	Arm Shaft (horizontal) Flanged Bushing (front)
146226	Looper Holder Rock Shaft Bushing Back	146629	Thread (needle) Thread Guide Bracket	147022	Feed Bar Carrier with two each 158(805) and 176(805)
146227	Looper Holder Rock Shaft Bushing (front)	146632	Thread (looper) Thread Tube Thread Guide	147023	Feed Bar Carrier Hinge Pin
146234	Looper Avoiding Eccentric Connection (forked) with two 896(830)	146633	Thread (needle) Eyelet (side of arm)	147024	Feed Bar Carrier Oil Wick Holder 143032 with 143031
146238	Thread (looper) Thread Tube	146640	Machine Pad (felt)	147028	Feed Lifting Rock Shaft Bushing (back)
146240	Feed Bar	146657	Oil Pump (centrifugal) Screen	147028	Feed Rock Shaft Bushing (back)
146241	Feed Bar 146240 with 1607(819) and 140695(819)	146658	Oil Pump (centrifugal) Screen Frame	147029	Feed Lifting Rock Shaft Collar with two 460(830)(2)
146243	Feed Bar Assembly 146241 with 146244	146659	Oil Pump (centrifugal) Body	147029	Feed Rock Shaft Collar with two 460(830)
146244	Feed Lifting Rock Shaft Crank (front) 146889 with 50579(809), 52267, 146539 and 146881	146671	Thread (looper) Thread Tube Screw Stud Nut Washer	147037	Feed Lifting Rock Shaft Oil Wick (short)(2)
146245	Machine Base and Oil Reservoir Oil Return Wick Position Pad (felt)	146676	Presser Bar Guide Bracket Lifter	147042	Feed Lifting Rock Shaft Bushing (front)
146290	Throat Plate for 5/32 in. to 3/8 in. gauges, for 10 to 18 stitches per inch, for chaining-off for use with, (for 3/16 in.) 21492-012 and 142375 (for 1/4 in.) 21492-016 and 142375 Note: No. 146290 is furnished as regular to the machine when called for in standard gauges of 3/16 in. and 1/4 in. Note: When ordering No. 146290, state gauge required.	146688	Bed Slide (right) Latch	147045	Feed Rock Shaft Oil Wick (short)(2)
146505	Arm Shaft (upright) Bushing (lower)	146689	Bed Slide (right) Latch Guide	147047	Feed Lifting Rock Shaft Oil Wick Clamping Plate
146508	Arm Top Cover Gasket	146690	Bed Slide (right) Latch Spring	147055	Oil Removing Wick (head end) Hinge Plate and Cover Gasket
146512	Machine Pulley (disc power) "V" belt groove (outside diameter of belt groove 2.9 in.) with two 51283(830)	146691	Bed Slide (right) Spring	147070	Arm Hole Plug Screw Washer (for use with 140610)
146517	Bed Rotary Shaft Bevel Gear, right hand spiral with two 1259(830)	146693	Machine Base and Oil Reservoir Oil Return Wick	147079	Thread (needle) Take-up Thread Eyelet Bushing(2)
146518	Bed Rotary Shaft Bushing (back)	146694	Presser Bar Guide Bracket with 1057(830)	147107	Oil Removing Wick (head end)
146519	Bed Rotary Shaft Bushing (front)	146698	Oil Removing Wick (head end) Holder Body Spring	147108	Oil Removing Wick (head end) Holder Body 146745 with 146698 and 147107
146521	Bed Slide (left)	146703	Needle Bar Bushing (lower and upper) Oil Wick Clamp and Retainer	147109	Looper Holder Rock Shaft Bracket Oil Plug Screw (front) Washer (fiber)
146522	Bed Slide (left) complete, Nos. 4307, 146521 and two 725(819)	146730	Looper Ball Crank Pitman End Bearing (left) with two 175(830)	147111-001	Arm Shaft (upright) Bushing (upper)
146539	Feed Bar Slide Black Oil Wick Holder	146739	Looper Holder 146565 with 1664(809), 146567 and two 175(830)	147112-001	Arm Shaft (horizontal) Flanged Bushing (back)
146550	Looper Avoiding Eccentric with two 1259(830)	146743	Needle Guard Holder Bracket	147468	Arm Shaft (horizontal) Thrust Collar with two 624(830)
146551	Arm Screw (back)(2)	146745	Oil Removing Wick (head end) Holder Body	149205	Oil Removing Wick (head end) Hinge Plate and Cover
146552	Arm Screw (front)(2)	146751	Presser Bar Bushing (lower)	149206	Oil Removing Wick (head end) Holder Body complete, Nos. 140553(805), 146698, 146745, 147055, 147107 and 149205
146554	Looper Avoiding Eccentric Slide Block	146790	Arm Shaft (horizontal) Flanged Bushing (back) Oil Sump Tube	151560	Machine Pad (felt, left back)
146556	Looper Ball Crank	146792	Tension (looper thread) Releaser(2)	151561	Machine Pad (felt, left front)
146557	Looper Ball Crank Connection with two 131928	146795	Tension (looper thread) Uncurler(2)	152503	Arm Shaft (horizontal) Bushing (center)
146558	Looper Ball Crank Connection with 132790, 146556, 164232 and two 131928	146796	Tension (looper thread) Uncurler Plate (back)	152578	Feed Lifting Eccentric with three 440(830)
146559	Looper Ball Crank Hinge Pin	146797	Tension (looper thread) Uncurler Plate (front)	152579	Combination of Feed and Stitch Regulator Parts, Nos. 143015, 143040, 143049, 146864, 146883 and 152578
146565	Looper Holder with 896(830) and two 624(830)	146864	Arm Shaft (horizontal) Bevel Gear, right hand spiral with 140333(830) and two 1259(830)	160588-002	Lap Seam Feller Clamping Plate
146567	Looper Holder Bushing (eccentric)	146867	Arm Top Cover	161661-002	Lap Seam Feller on Shank (adjustable) with 207(809), for 3/16M Note: No. 161661-002 (3/16M) is furnished as regular to machine when called for in standard gauge of 3/16 in.
146591	Oil Flow Body	146868	Arm Top Cover and Stitch Regulator Cap Cam complete, Nos. 335(819), 146868, 146870 and 146871	161661-004	Lap Seam Feller on Shank (adjustable) with 207(809) for 1/4M Note: No. 161661-004 (1/4M) is furnished as regular to machine when called for in standard gauge of 1/4 in.
146593	Oil Pipe	146870	Arm Top Cover and Stitch Regulator Cap Gasket	161661-016	Lap Seam Feller on Shank (adjustable) with 207(809), for 1/8M Note: No. 161661-016 (1/8M) is furnished as regular to machine when called for in standard gauge of 1/8 in.
146597	Oil Pipe complete (from Oil Pump to Arm Shaft (horizontal) Center Bearing) 146593 with 143065 and 143066	146871	Arm Top Cover and Stitch Regulator Cap Latch	161661-022	Lap Seam Feller on Shank (adjustable) with 207(809), for 1/2M Note: No. 161661-022 (1/2M) is furnished as regular to machine when called for in standard gauge of 1/2 in.
146600	Oil Pump (centrifugal) Cover	146874	Attachment Slide Spring	164232	Looper Ball Crank Connection Ball Sleeve Guide
146603	Thread (looper) Take-up Stripper Plate 146625 with 237(809), 139148, 146623, 146624, 146626, 146628 and two 190(809)	146881	Feed Bar Slide Black Oil Wick	-----	Needle Car. 2793 (Size No. 16)
146604	Oil Wick for oiling Looper Ball Crank Pitman End Bearing (left)	146883	Feed Eccentric (adjustable) with 50328(803), two each 217(809), 7071 and three 51061(830)		
146605	Oil Wick Holder	146889	Feed Lifting Rock Shaft Crank (front) with 157(819)		
146606	Oil Wick Position Bracket with 140239(830)	146891	Feed Lifting Rock Shaft Oil Wick		
146611	Presser Bar Spring	146892	Feed Rock Shaft Oil Wick		
146612	Presser Bar Spring Guide Pin	146896	Feed Lifting Rock Shaft Oil Wick (long)		
146616	Pair of Mated Gears for Lower Shaft, Nos. 143015 and 146517	146897	Feed Rock Shaft Oil Wick (long)		
146618	Tension (looper thread) Screw Stud 140442(803) with 51570(803)(2)	146911	Looper Ball Crank Arm with 51320(830)		
146620	Tension (looper thread) Releaser Slide Connection Link	146919	Pair of Mated Gears for Upper Shaft, Nos. 143015 and 146864		
146620	Tension (needle thread) Releasing Shaft Crank Connecting Link	146923	Looper Ball Crank Pitman Head (right) with 146948 and two 175(830)		
146621	Thread (looper) Take-up with 465(830)	146947	Looper Ball Crank Pitman Rod Oil Shield		
146622	Thread (looper) Take-up Screw Washer (fiber)	146948	Looper Ball Crank Pitman Ball Screw Stud		
146623	Thread (looper) Take-up Stripper	146955	Looper Ball Crank Pitman Rod		
146624	Thread (looper) Take-up Stripper Holder with 906(830)	146966	Looper Ball Crank Pitman Rod 146965 with 51769(803)		
146625	Thread (looper) Take-up Stripper Plate	146967	Looper Ball Crank Pitman Rod with Throw-out Device complete, Nos. 240(809), 447(830), 1700(819), 21400, 146966, 146968, 146969, 146970, 146971 and two 51159(809)		
		146968	Looper Throw-out Releaser		
		146969	Looper Throw-out Releaser Cap		

SUPPLEMENTARY PARTS LIST FOR 262-25 MACHINE

Same as 262-21 Machine, except for the following:

PARTS ADDED	DESCRIPTION	PARTS REMOVED
22849	Arm Shaft (horizontal) with 1036(830) and 140542(830)	146121
22850	Arm Shaft (horizontal) 22849 with 140359(805), 143236 and 143494-001	146122
152569	Bed Rotary Shaft	146005
152576	Bed Rotary Shaft 152569 with 132790, 146556, 164232 and two 131928	146044
146246	Combination of Feed and Stitch Regulator Parts, Nos. 143015, 143040, 143049, 146864, 146883 and 146884	152579
146884	Feed Lifting Eccentric with three 440(830)	152578
21394-002	Feed Dog, 22 teeth (16 teeth to the inch) for 5/32" and 3/16" gauges, for use with 21395-010 or 21395-012 and 131708 Note: 21394-002 is furnished as regular to the machine when called for in standard gauge of 3/16". When ordering, gauge need not be specified.	142375
131529	Feed Dog, 14 teeth (10 teeth to the inch) for 1/4" to 3/8" gauges, for use with 21096-016 or 21096-024 and 131708 Note: 131529 is furnished as regular to the machine when called for in standard gauges of 1/4" and 3/8". When ordering state gauge	12957-001
16387-001	Lap Seam Feller on Shank for 1/4H with 1443(809) and two 662(809) Note: 16387-001 (1/4H) is furnished as regular to the machine when called for in standard gauge of 1/4"	161661
16387-002	Lap Seam Feller on Shank for 3/16H, with 1443(809) and two 662(809) Note: 16387-002 (3/16H) is furnished as regular to the machine when called for in standard gauge of 3/16"	161661
16387-003	Lap Seam Feller on Shank for 3/8H, with 1443(809) and two 662(809) Note: 16387-003 (3/8H) is furnished as regular to the machine when called for in standard gauge of 3/8"	161661
131425	Looper (back) for 3/32" to 1/2" gauges Note: 131425 is furnished as regular to the machine when called for in standard gauges of 3/16", 1/4" and 3/8". When ordering state gauge	131458
131426	Looper (back) for 3/32" to 1/2" gauges Note: 131426 is furnished as regular to the machine when called for in standard gauges of 3/16", 1/4" and 3/8"	131459
21121	Needle Guard (movable) for 3/32" to 3/8" gauges Note: 21121 is furnished as regular to the machine when called for in standard gauges of 3/16", 1/4" and 3/8"	146137
21122	Needle Guard (movable) for 13/32" to 1/2" gauges	146138
68123	Needle Guard (movable) Clamp	-
-	Needle Guard Holder	146109
-	Needle Guard Holder Bracket	146743
-	Needle Guard Holder Bracket Screw	190(809)
-	Needle Guard Holder Screw	190(809)
-	Needle Guard Screw	190(809)
131708	Presser Foot Complete for 3/32" to 1/2" gauges, Nos. 131534, 131704, 131705, 131706, 131707 and two each 665(809), 26276 and 128390 Note: 131708 is furnished as regular to the machine when called for in standard gauges of 3/16", 1/4" and 3/8".	21492-008 21492-010 21492-012 21492-016
131534	Presser Foot Yielding Heel Connection Spring	-
131704	Presser Foot Plate	-
131705	Presser Foot Shank	-
131706	Presser Foot Yielding Heel	-
131707	Presser Foot Yielding Heel Connection	-
665(809)	Presser Foot Plate Hinge Stud Position Screw	-
26276	Presser Foot Hinge Pin(2)	-
128390	Presser Foot Plate Hinge Stud(2)	-
152574	Thread (looper) Take-up (left)	-
465(830)	Thread (looper) Take-up (left) Set Screw	-
-	Thread (looper) Take-up Screw	1029(809)
-	Thread (looper) Take-up Screw Washer	146622
152571	Thread (looper) Take-up Stripper Plate	146625
152575	Thread (looper) Take-up Stripper Plate 152571 with 237(819), 139148, 146623, 146624, 146626, 146628 and two 190(809)	146603
146235	Thread (looper) Take-up Stripper Staple (left)	-
190(809)	Thread (looper) Take-up Stripper Staple (left) Screw(2)	-
-	Thread (looper) Take-up Thread Guide (left)	146627
-	Thread (looper) Take-up Thread Guide (left) Screw	237(809)
190(809)	Thread (looper) Take-up Thread Guide (right) Screw	237(809)
21395-012	Throat Plate for 3/16" gauge for use with 21394-002 and 131708 Note: 21395-012 is furnished as regular to the machine when called for in standard gauge of 3/16"	12959-008
21096-016	Throat Plate for 1/4" gauge, for use with 131529 and 131708 Note: 21096-016 is furnished as regular to the machine when called for in standard gauge of 1/4"	146290
21096-024	Throat Plate for 3/8" gauge, for use with 131529 and 131708 Note: 21096-024 is furnished as regular to the machine when called for in standard gauge of 3/8"	146290

SUPPLEMENTARY PARTS LIST FOR 262-22 MACHINE

Same as 262-21 Machine, except for the following:

PARTS ADDED	DESCRIPTION	PARTS REMOVED
146075	Arm Shaft (horizontal) with 1036(830) and 140542(830)	146121
146076		146122
146081	Bed Rotary Shaft	146005
146082	Bed Rotary Shaft 146081 with 132790, 146556, 164232 and two 131928	146044
146242	Combination of Feed and Stitch Regulator Parts Nos. 143015, 143040, 143049, 146864, 146883 and 146914	152579
146914	Feed Lifting Eccentric with three 440(830)	152578

SUPPLEMENTARY PARTS LIST FOR 262-23 MACHINE

Same as 262-21 Machine, except for the following:

PARTS ADDED	DESCRIPTION	PARTS REMOVED
146152	Arm Shaft (horizontal) with 1036(830) and 140542(830)	146121
146153		146122
146154	Bed Rotary Shaft	146005
146155	Bed Rotary Shaft 146154 with 132790, 146556, 164232 and two 131928	146044
146242	Combination of Feed and Stitch Regulator Parts, Nos. 143015, 143040, 143049, 146864, 146883 and 146914	152579
22731	Feed Dog, 14 teeth, 10 teeth to the inch	142375
146914	Feed Lifting Eccentric with three 440(830)	152578
131552	Looper (back)	131458
131553	Looper (front)	131459
146173	Needle Bar Complete, Nos. 131555 and 143488	143489
131555	Needle Clamp	139116
146174	Needle Guard	146137
50014(806)	Needle Set Screw(2)	1498(806)
143512-001	Presser Bar Spring	146611
131561	Presser Foot Complete, Nos. 26276, 131560 and 146780	21492-008
		21492-010
		21492-012
		21492-016
146160	Thread (looper) Take-up (small) with two 465(830)	-
465(830)	Thread (looper) Take-up (small) Set Screw(2)	-
146161	Thread (looper) Take-up Stripper Plate	146625
146237	Thread (looper) Take-up Stripper Plate 146161 with 237(809), 139148, 146623, 146624, 146626, 146628 and two 190(809)	146603
146235	Thread (looper) Take-up Stripper Staple (left)	-
131558	Throat Plate	12959-008
		146290

SUPPLEMENTARY PARTS LIST FOR 262-24 MACHINE

Same as 262-23 Machine, except for the following:

PARTS ADDED	DESCRIPTION	PARTS REMOVED
131563	Looper (back)	131552
131564	Looper (front)	131553
146179	Needle Bar Complete, Nos. 131064 and 143488	146173
131064	Needle Clamp with two 50014(831)	131555
131570	Presser Foot with Knife Complete, Nos. 239(809), 68140, 131349, 131568 and 131569	131561
239(809)	Presser Foot Knife Screw	-
68140	Presser foot Hinge Pin	26276
131349	Presser Foot Knife	-
131568	Presser Foot Plate	131560
131569	Presser Foot Shank with 665(809)	146780
665(809)	Presser Foot Hinge Pin Set Screw	-
131567	Throat Plate	131558