

SINGER
99W110

Form 2460w
(346)
Printed in U. S. A.

LIST OF PARTS



SINGER**

MACHINE No. 99w110

THE SINGER MANUFACTURING COMPANY

INSTRUCTIONS FOR OILING

To ensure easy running and prevent unnecessary wear of the parts which are in movable contact, the machine requires oiling and when in continuous use, "TYPE B" or "TYPE D" OIL, sold only by Singer Sewing Machine Company, should be applied at least twice each day to all oil holes marked "OIL", as instructed in Form 2413w.

"TYPE D" OIL is stainless.

INDEX

	Page
Accessories	34
Buttonhole Cutting Blocks	40
" " Knives	41
Driving Equipment	35
Machine No. 99w110	5
Numerical List of Parts	49
Pattern Wheels	41
Shaft Pulley	46
Singer Knife Truing Fixture	47
Thread Lubricating Cup	48
" Unwinder	35

INSTRUCTIONS FOR ORDERING

In ordering from this list, use ONLY the PART number in the FIRST column.

The number stamped on a Sewing Machine Part is the number of the Single Part only, except when the part includes Set Screws, Clamping Screws, Studs and Rollers Spun on, Small Wires riveted, or Parts soldered together, etc., which it is necessary to furnish in combination.

Every combination of parts sent out has its specific number which, although not stamped on Parts (except in above case), must be used when ordering the combination.

Each number always indicates the SAME PART in whatever list it appears, or for whatever Machine.

The letters after some of the numbers indicate the style of finish only, as follows.

A-Hardened, Polished, Nickel Plated and Buffed
 AL-Heat Treated, for Toughness
 B-Polished, Nickel Plated and Buffed
 C-Hardened Only
 D-Polished Only
 E-Soft, Not Polished
 F-Hardened and Polished
 H-Blued
 J-Nickel Plated Only
 R-Merlized
 X-Black Oxide, for Iron and Steel
 XC-Hardened and Black Oxide, for Iron or Steel
 Y-Black Nickel Plated Only

These letters MUST BE USED when they appear in the list and AFTER the number, as in the list.

In this series
 1 to 1500, 200001 to 201500 and 350001 to 351500 are
 Screw Numbers
 1501 to 1800, 201501 to 201800 and 351501 to 351800 are
 Nut Numbers
 1801 to 2000, 201801 to 202000 and 351801 to 352000 are
 Roller Numbers
 2001 to 50000 and 202001 to 350000 are Numbers of
 Machine Parts

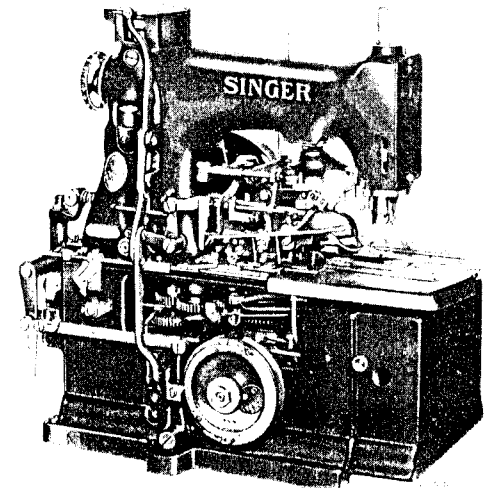
The Figures in the second column refer only to the plate in which the illustration of the part is shown and are NOT TO BE USED in ordering.

Two or more numbers over a cut indicate that the difference between such parts is not visible in an illustration.

Parts marked with an asterisk (*) are furnished only when repairs are made at the factory.

LIST OF PARTS COMPLETE

FOR



MACHINE No. 99w110

Automatic Eyelet End Buttonhole Machine, for Overcoats, Sack Coats, Vests, Trousers, Clothing Generally Long Travel Machine. Sewing Capacity $\frac{5}{8}$ to $1\frac{5}{8}$ in. Cuts Straight or Eyelet End Buttonholes from $\frac{5}{8}$ to $1\frac{9}{16}$ in. long and Taper Bar Buttonholes from $\frac{3}{4}$ to $1\frac{3}{4}$ in. long. Cuts the hole AFTER stitching.

No.	Plate	Arm	Name
*256041	-----	Arm	
204235	16348	"	Position Pin (2)
200020E	16348	"	Screw (4)
232488	16348	"	Shaft
232489	16348	"	" Bevel Gear with 453AL
232244	16348	"	" " Position Pin
453AL	16348	"	" " Set Screw
232002	16348	"	" Bushing (back) with 202260
232490	16348	"	" " (front) with 202260
202260	16348	"	" Oil Packing (wick)
200100E	16348	"	" Screw (4)

No.	Plate	Name
232003	16348	Arm Shaft Hand Wheel with two 200341C
200341C	16348	" " " " Set Screw
150D	16348	" " Screw
250002	16348	" Side Cover
200110D	16348	" " " Screw
*256042	-----	Bed with 250078,255509 to 255512, two each 127D,40025 and eight 50163E
250009	16350	Bed End Cover
232025	16350	" " " " Catch (2)
232026	16350	" " " " Position Pin (2)
250010	16350	" " " " Releaser (2)
204264	16350	" " " " Stop Pin (2)
200047D	16350	" " " " Screw (2)
201531H	16350	" " " " Nut (2)
250011	16350	" " " Support (left)
250012	16350	" " " Support (right)
457AL	16350	" " " " Set Screw (2)
250013	16367	" Extension
250397	16367	" " Position Pin (2)
154D	16367	" " Screw (4)
250014	16349	" Shaft
255521	16349	" " Bevel Gear with two 453AL
232719	16349	" " " " Position Pin (2)
453AL	16349	" " " " Set Screw
232030	16349	" " Bushing (back) with 202260
202260	16349	" " " " Oil Packing
		(wick)
232821	16349	Bed Shaft Bushing (back) Oil Tube (brass)
230795	16349	Bed Shaft Bushing (back) Oil Tube Pin
350455E	16349	" " " " Screw (2)
201730E	16349	" " " " Nut (2)
250015	16349	" " " (front)
255527	16349	" " " " Oil Tube (brass)
250451	16349	" " " " Bracket
330D	16349	" " " " " " " "
		Screw
232244	16349	Bed Shaft Bushing (front) Position Pin
200100E	16349	" " " " Screw (2)
250017	16349	" " Collar with two 1258AL (2)
1258AL	16349	" " " " Set Screw
232725	16349	Belt Guard
9D	16349	" " Screw
256106	17424	Buttonhole Cutting Block (steel) (1 in. eye or Taper Bar)
350111C	16351	Buttonhole Cutting Block Pinch Screw
250468	16351	" " " " " "
		Washer
1281E	16351	Buttonhole Cutting Block Stop Screw
256043	16356	" " Carrier Cam with 200364C
40025	16356	Buttonhole Cutting Carrier Cam Position Pin
200364C	16356	Buttonhole Cutting Carrier Cam Set Screw

No.	Plate	Name
256044	16356	Buttonhole Cutting Carrier Lever with 990D,201524E,350377C and 351860
50031C	16356	Buttonhole Cutting Carrier Lever Adjusting Screw Stud
201711C	16356	Buttonhole Cutting Carrier Lever Adjusting Screw Stud Nut
39541	16356	Buttonhole Cutting Carrier Lever Adjusting Screw Stud Washer
250022	16356	Buttonhole Cutting Carrier Lever Adjusting Screw Stud Sleeve
351860	16356	Buttonhole Cutting Carrier Lever Roller
990D	16356	Buttonhole Cutting Carrier Lever Roller Cap Screw
350377C	16356	Buttonhole Cutting Carrier Lever Roller Screw Stud
201524E	16356	Buttonhole Cutting Carrier Lever Roller Screw Stud Nut
232038	16356	Buttonhole Cutting Carrier Lever Slide Block
250023	17426	Buttonhole Cutting Disengaging Lever
57C	17426	" " " "
		Hinge Screw
203213	17426	Buttonhole Cutting Disengaging Lever Spring
25039C	17426	Buttonhole Cutting Disengaging Push Rod
2075	17426	Buttonhole Cutting Disengaging Push Rod Pin
255171	16406	Buttonhole Cutting Driving Wheel with 446E
255544	16406	Buttonhole Cutting Driving Wheel Lock
232044	16406	" " " " " "
		Spring
200051E	16406	Buttonhole Cutting Driving Wheel Lock Spring Screw
228026	16406	Buttonhole Cutting Driving Wheel Lock Spring Screw Washer
255545	16406	Buttonhole Cutting Driving Wheel Lock Stop Plate
162D	16406	Buttonhole Cutting Driving Wheel Lock Stop Plate Screw (2)
255546	16406	Buttonhole Cutting Driving Wheel Lock Stop Plate Screw Lock Washer (2)
232150	16406	Buttonhole Cutting Driving Wheel Position Pin
446E	16406	Buttonhole Cutting Driving Wheel Set Screw
256121	17424	Buttonhole Cutting Knife (.126 x .200 eye)
250027	17424	Buttonhole Cutting Knife Adjusting Block
1100D	17424	Buttonhole Cutting Knife Adjusting Block Screw

No.	Plate	Name
256219	17424	Buttonhole Cutting Knife Base Plate
1485D	17424	" " " " " Ad-justing Screw (left)
350459E	17424	Buttonhole Cutting Knife Base Plate
1454E	17424	Adjusting Screw (right)
250475	17424	Buttonhole Cutting Knife Base Plate
350114C	17424	Screw
250030	17424	Buttonhole Cutting Knife Clamping Lever
256218	16351	" " " " " Hinge Screw
250032	16405	Buttonhole Cutting Knife Clamping Plate
40025	16405	" " " " " Lever (lower) with 251269 and 251270
453AL	16405	Buttonhole Cutting Lever (lower) Cam with 453AL
250033	16351	Buttonhole Cutting Lever (lower) Cam Position Pin
256222	16405	Buttonhole Cutting Lever (lower) Cam Set Screw
40025	16405	Buttonhole Cutting Lever (upper) with 232482, 250468, 350111C and two 232483
453AL	16405	Buttonhole Cutting Lever (upper) Cam with 453AL
40025	16405	Buttonhole Cutting Lever (upper) Cam Position Pin
453AL	16405	Buttonhole Cutting Lever (upper) Cam Set Screw
*250464	16351	Buttonhole Cutting Lever Bracket with 200089D
*250465	16351	Buttonhole Cutting Lever Bracket Arm
50027E	16351	" " " " " Screw
250530	16351	Buttonhole Cutting Lever Bracket complete, Nos. 250464, 250465 and two 50027E
255152	16351	Buttonhole Cutting Lever Bracket Gib (left)
250037	16351	Buttonhole Cutting Lever Bracket Gib (right)
232380	16351	Buttonhole Cutting Lever Bracket Gib Adjusting Plate (2)
219E	16351	Buttonhole Cutting Lever Bracket Gib Adjusting Plate Screw (4)
206482	16351	Buttonhole Cutting Lever Bracket Gib Adjusting Plate Screw Washer (4)
350304E	16351	Buttonhole Cutting Lever Bracket Gib (left) Screw (3)
201176E	16351	Buttonhole Cutting Lever Bracket Gib (right) Screw (3)
250038	16351	Buttonhole Cutting Lever Hinge Stud
200089D	16351	" " " " " Set Screw
251268	16351	Buttonhole Cutting Lever Spring

No.	Plate	Name
251269	16351	Buttonhole Cutting Lever Spring Bracket (lower)
251270	16351	Buttonhole Cutting Lever Spring Bracket (lower) Pin
232482	16351	Buttonhole Cutting Lever Spring Bracket (upper)
232483	16351	Buttonhole Cutting Lever Spring Bracket (upper) Pin
250039	17424	Buttonhole Cutting Pressure Wedge with 232056
*201155D	17424	Buttonhole Cutting Pressure Wedge Adjusting Screw
250538	17424	Buttonhole Cutting Pressure Wedge Adjusting Screw 201155B, with 2273, 201672E, 232054 and 232055
232054	17424	Buttonhole Cutting Pressure Wedge Adjusting Screw Collar
232055	17424	Buttonhole Cutting Pressure Wedge Adjusting Screw Collar Position Pin
232466	17424	Buttonhole Cutting Pressure Wedge Adjusting Screw Lock Spring
662D	17424	Buttonhole Cutting Pressure Wedge Adjusting Screw Lock Spring Screw
201672E	17424	Buttonhole Cutting Pressure Wedge Adjusting Screw Nut
2273	17424	Buttonhole Cutting Pressure Wedge Adjusting Screw Nut Pin
232056	17424	Buttonhole Cutting Pressure Wedge Boss
232057	17424	" " " " " Post with 662D and 232466
200122H	17424	Buttonhole Cutting Pressure Wedge Post Screw
256182	16405	Buttonhole Cutting Shaft
255131	16405	" " " " " Hand Crank with 350289C
350290H	16405	Buttonhole Cutting Shaft Hand Crank Cap Screw
350289C	16405	Buttonhole Cutting Shaft Hand Crank Position Screw
255132	16405	Buttonhole Cutting Shaft Hand Crank Washer
256210	16405	Buttonhole Cutting Shaft Oil Packing (wick)
256220	16405	Buttonhole Cutting Shaft Pulley (loose) with 255021, 255144, 255158, 255168, two each 172D, 183C, 235404, four each 1671E, 210750, 255546 and 256221
256002	16405	Buttonhole Cutting Shaft Pulley Bushing
255168	16405	" " " " " Oil Cup
256221	16405	" " " " " Stud
1671E	16405	" " " " " Nut
255546	16405	" " " " " Lock Washer
256212	16405	Buttonhole Cutting Shaft Support Bracket

No.	Plate	Name
250397	16405	Buttonhole Cutting Shaft Support Bracket Position Pin (2)
145E	16405	Buttonhole Cutting Shaft Support Bracket Screw (2)
250042	16406	Buttonhole Cutting Starting Lever with 201085C
232718	16406	Buttonhole Cutting Starting Lever Hinge Stud
200530E	16406	Buttonhole Cutting Starting Lever Hinge Stud Set Screw
232064	16406	Buttonhole Cutting Starting Lever Latch
350148D	16406	Buttonhole Cutting Starting Lever Latch Hinge Screw
201531E	16406	Buttonhole Cutting Starting Lever Latch Hinge Screw Nut
232065	16406	Buttonhole Cutting Starting Lever Latch Spring
201218E	16406	Buttonhole Cutting Starting Lever Latch Spring Screw Stud (3)
200E	16406	Buttonhole Cutting Starting Lever Latch Stop Screw
250043	16406	Buttonhole Cutting Starting Lever Plate
200577AL	16406	Buttonhole Cutting Starting Lever Plate Screw (2)
201085C	16406	Buttonhole Cutting Starting Lever Restoring Screw Stud
250456	17426	Buttonhole Cutting Starting Lever Safety Plate
208AL	17426	Buttonhole Cutting Starting Lever Safety Plate Screw (2)
250044	16406	Buttonhole Cutting Starting Lever Spring
350105E	16406	Buttonhole Cutting Starting Lever Spring Screw Stud
250045	17426	Buttonhole Cutting Trip Lever with 460AL
250046	17426	Buttonhole Cutting Trip Lever Bracket
232154	17426	" " " " " "
161D	17426	Buttonhole Cutting Trip Lever Bracket Position Pin (2)
2049	17426	Buttonhole Cutting Trip Lever Bracket Screw (2)
250047	17426	Buttonhole Cutting Trip Lever Safety Lever with 237F
232343	17426	Buttonhole Cutting Trip Lever Safety Lever Position Pin
237F	17426	Buttonhole Cutting Trip Lever Safety Lever Set Screw
460AL	17426	Buttonhole Cutting Trip Lever Set Screw
250048	17426	" " " " Shaft
250049	17426	" " " " Spring
201432C	17426	" " " Screw Stud

No.	Plate	Name
1521E	17426	Buttonhole Cutting Trip Screw Stud Nut
255062	17426	" " " " " Shim (.010 in. thick)
255063	17426	Buttonhole Cutting Trip Screw Stud Shim (.025 in. thick)
*256004	-----	Driving Wheel (loose)
256206	16349	" " 256004 with 250598 and 256091
255559	16349	Driving Wheel with 200383C
256007	16349	" " Clutch Stud (made in .211, .212, .213, .214 and .215 in. diam., plate size required)
255560	16349	Driving Wheel Clutch Stud Retainer (back)
255561	16349	Driving Wheel Clutch Stud Retainer (front)
145E	16349	Driving Wheel Clutch Stud Retainer Screw
1528E	16349	Driving Wheel Clutch Stud Retainer Screw Nut
8873	16349	Driving Wheel Position Pin
200383C	16349	" " Set Screw
256274	16349	" " Stop Cam with 145E, 1528E, 255560 and 255561
255565	16349	Driving Wheel Stop Cam Oil Pad (Set)
251075	16349	" " " " Position Collar with 1036AL
1036AL	16349	Driving Wheel Stop Cam Position Collar Set Screw
250417	16349	Driving Wheel Stop Cam Spring
232570	16348	Face Plate
641D	16348	" " Screw (2)
232521	16413	Feed Adjusting Gear
250052	16413	" " " " Bracket
250053	16413	" " " " Clamping Post
690D	16413	" " " " " " Screw (2)
350113C	16413	Feed Adjusting Gear Bracket Clamping Screw
250473	16413	Feed Adjusting Gear Bracket Clamping Screw Washer
201428C	16413	Feed Adjusting Gear Screw Stud
1518J	16413	" " " " " " Nut
250054	16414	" Driving Gear (intermediate) with 457AL
232721	16414	Feed Driving Gear (intermediate) Position Pin
457AL	16414	Feed Driving Gear (intermediate) Set Screw
250055	16414	Feed Driving Gear (intermediate) Shaft
256099	16413	" Wheel with three 232382
250057	16413	" " Driving Pawl (3)
201385C	16413	" " " " Hinge Screw (3)
250058	16413	" " " " Spring (3)
232382	16413	" " " " " Pin

No.	Plate	Name
1449H	16413	Feed Wheel Driving Pawl Spring Screw (3)
350071E	16413	Feed Wheel Friction Ring Adjusting Screw
201522E	16413	Feed Wheel Friction Ring Adjusting Screw Lock Nut
232131	16413	Feed Wheel Friction Ring Adjusting Screw Washer (2)
250059	17426	Feed Wheel Friction Ring Bracket
200070C	17426	" " " " " Screw (2)
250060	16413	" " " " " Section (long)
250061	16413	" " " " " (short)
232135	16413	" " " " " Spring
256045	16413	" " " Ring
256046	16413	" " " " " Gib (3)
209F	16413	" " " " " Screw (6)
201362C	16413	" " " Screw Stud
250418	17427	Finger Starting Lever with 250435 and 250436
250419	17427	Finger Starting Lever Hinge Block
350080D	17427	" " " " " Hinge Screw
250420	17426	Finger Starting Lever (intermediate)
255080	17426	" " " " " Bracket with 208AL and 391C
208AL	17426	Finger Starting Lever (intermediate) Bracket Pinch Screw
158E	17426	Finger Starting Lever (intermediate) Bracket Screw
72D	17426	Finger Starting Lever (intermediate) Hinge Screw
646F	17426	Finger Starting Lever (intermediate) Operating Stud
251292	17426	Finger Starting Lever (intermediate) Operating Stud Collar with 646F
2273	17426	Finger Starting Lever (intermediate) Operating Stud Collar Position Pin
200097C	17427	Finger Starting Lever Screw
228026	17427	" " " " " Washer
251518	17427	" " " " " Spring
250435	17427	" " " " " Stud (back)
250436	17427	" " " " " (front)
232539	16414	Intermittent Feed Driving Wheel with two 465C
*256047	16414	Intermittent Feed Driving Wheel Bracket
232244	16414	Intermittent Feed Driving Wheel Bracket Position Pin (2)
129E	16414	Intermittent Feed Driving Wheel Bracket Screw (4)
250589	16414	Intermittent Feed Driving Wheel Driving Stud
204648	16414	Intermittent Feed Driving Wheel Driving Stud Position Pin
232541	16414	Intermittent Feed Driving Wheel Position Pin

No.	Plate	Name
465C	16414	Intermittent Feed Driving Wheel Set Screw
232542	16414	Intermittent Feed Driving Wheel Shaft
250063	16414	" " " " " Gear with 465C
232721	16414	Intermittent Feed Driving Wheel Shaft Gear Position Pin
465C	16414	Intermittent Feed Driving Wheel Shaft Gear Set Screw
252615	16459	Loop Retainer (left)
256049	16459	" " " " " Carrier
256050	16459	" " " (right)
256051	16459	" " " " " Carrier
256068	16459	" " " Adjusting Block (2)
256069	16449	" " " Gum with 447E
40025	16449	" " " " " Position Pin
447E	16449	" " " " " Set Screw
256070	16459	" " " Carrier Link (2)
201431C	16459	" " " " " Screw (4)
250071	16459	" " " " " Shaft
250072	16459	" " " " " Collar
735E	16459	" " " " " Set Screw
256008	16459	" " " " " Driving Bar
201766C	16459	" " " " " Adjusting Nut (3)
256009	16459	Loop Retainer Driving Bar Adjusting Nut Washer (2)
201728C	16459	Loop Retainer Driving Bar Lock Nut
350388H	16459	" " " " " Screw (2)
250491	16459	" " " " " Washer (2)
250074	16459	" " " Shim (.005 in. thick)
250449	16459	" " " (.010 in. thick)
250450	16459	" " " (.020 in. thick)
250537	16459	" " " (.030 in. thick)
256010	16349	" " " Slide with 201943
250076	16349	" " " " " Gib (lower) (2)
250077	16349	" " " " " (upper) (2)
190D	16349	" " " " " Screw (6)
*250078	16349	" " " " " Guide Extension
40025	16349	" " " " " " Position Pin (2)
127D	16349	Loop Retainer Slide Guide Extension Screw (2)
201896	16349	Loop Retainer Slide Roller
201943	16349	" " " " " 201896 with 250429
250429	16349	Loop Retainer Slide Roller Stud
252472	16459	Looper (non-threaded)
252507	16459	" (threaded)
256053	16459	" Bracket with 735E
201722C	16459	" " " Adjusting Nut
201722C	16459	" " " " " Locking Nut
23421	16459	" " " Dogging Hole Plug (leather)

No.	Plate	Name
250082	16460	Looper Bracket Frame Chip Guard
401E	16460	" " " " " Screw
		(3)
232555	16459	Looper Bracket Rotating Gear with 906E
250084	16459	" " " " " Position Pin
906E	16459	Looper Bracket Rotating Gear Set Screw
250085	16459	" " Carrier
201433C	16459	" " Hinge Screw
250086	16459	" " Link
201099C	16459	" " " Hinge Screw (2)
256011	16459	" " Driving Bar
201727C	16459	" " " Adjusting Nut (4)
256012	16459	" " " " " Wash-er (2)
256013	16460	Looper Driving Connection with 1120C
1120C	16460	" " " " " Set Screw
250089	16460	" " " " " Slide Rod
250090	16460	" " " " " Bush- ing (lower)
250091	16460	Looper Driving Connection Slide Rod Bushing (upper)
256015	16460	Looper Driving Crank
256016	16460	" " " " " Bushing
200089E	16460	" " " " " Screw (*)
250094	16460	" " " " " Gear with 735E
250095	16460	" " " " " Position Pin
735E	16460	" " " " " Set Screw
256017	16460	" " " " " Link
199C	16460	" " " " " Cap Screw
350278C	16460	" " " " " Hinge Screw
250097	16460	" " " " " Disc
256014	16460	" " " " " Bearing
51311E	16460	" " " " " Screw (5)
350365C	16460	" " " " " Cap Screw
*250098	16460	" " " " " Gear
176D	16460	" " " " " Screw (3)
201898	16349	" " " " " Roller
201953	16349	" " " " " 201898 with 201144E and 250099 (2)
201144E	16349	Looper Driving Roller Cap Screw
250099	16349	" " " " " Stud
*256018	16460	" " Frame
250462	16460	" " " Chip Guard
232866	16460	" " " Position Pin (2)
201082E	16460	" " " Screw (3)
190D	16459	" " " Screw (2)
250101	16459	" " " Washer (2)
232270	17428	" " Thread and Cord Clamping Spring (long)
232271	17428	Looper Thread and Cord Clamping Spring (short)
200186B	17428	Looper Thread and Cord Clamping Spring Screw
232272	17428	Looper Thread and Cord Cutter

No.	Plate	Name
200186B	17428	Looper Thread and Cord Cutter Screw
256054	16460	" " " " " Controller
256055	16460	" " " " " Bracket (adjust-able)
1423F	16460	Looper Thread Controller Bracket (ad-justable) Screw (2)
217D	16460	Looper Thread Controller Screw (2)
18859	16460	" " " " " Guide
3201P	16460	" " " " " Tension Disc (2)
256213	16415	" " " " " Releaser
253531	16415	" " " " " Lever
350224E	16415	" " " " " " " Hinge Screw
253532	16415	Looper Thread Tension Releaser Lever Rod
253535	16415	Looper Thread Tension Releaser Lever Rod Collar with 237F (2)
237F	16415	Looper Thread Tension Releaser Lever Rod Collar Set Screw
251170	16415	Looper Thread Tension Releaser Lever Spring
1550J	16415	Looper Thread Tension Releaser Nut
7071	16415	" " " " " " " Washer
253534	16365	Looper Thread Tension Releaser Operat- ing Cam Block with 219F
219F	16365	Looper Thread Tension Releaser Operat- ing Cam Block Set Screw
253533	16415	Looper Thread Tension Releaser Operat- ing Lever with 237F
237F	16415	Looper Thread Tension Releaser Operat- ing Lever Set Screw
252515	16460	Looper Thread Tension Spring
1045C	16460	" " " " " Stud
190D	16460	" " " " " " " Set Screw
1560C	16460	" " " " " Thumb Nut
232516	16445	" " " " " Tube (brass)
251622	16445	" " " " " Bracket (2)
190D	16445	" " " " " " " Screw (2)
256056	16459	Lower Cord Leader
217E	16459	" " " " " Screw
253613	16459	" " " " " Tension Spring
590E	16459	" " " " " " " Screw (2)
32012	16445	Lower Cord Tension Disc (2)
232515	16445	" " " " " Spring
637C	16445	" " " " " Stud
1560C	16445	" " " " " Thumb Nut
232516	16445	" " " " " Tube (brass)
250105	16348	Needle Bar Driving Crank with 200394C and two 200382C
40025	16348	Needle Bar Driving Crank Position Pin
200394C	16348	" " " " " " " Set Screw
256183	16446	" " Driving Bar with 620C
232177	16446	" " " " " Bushing
232176	16446	" " " " " Collar with 200083E
200083E	16446	" " " " " " " Pinch Screw

No.	Plate	Name
232178	16348	Needle Driving Bar Link
232709	16348	" " " " Hinge Stud with 222598
222598	16348	Needle Driving Bar Link Hinge Stud Oil Packing (wick)
200382C	16348	Needle Driving Bar Link Hinge Stud Set Screw
250108	16348	Needle Driving Bar Swivel with 248821
248821	16348	" " " " Oil Packing (wick)
256057	16459	Needle Guard
230E	16459	" " Screw
230E	16459	" " " (support end)
256180	16446	" Holder with 903F
201482D	16446	" " Gauge Plate Adjusting Screw
250112	16446	" " " " Block
201734C	16446	" " " " " Adjusting Nut
256227	16446	Needle Holder Gauge Plate Block Bush- ing
181D	16446	Needle Holder Gauge Plate Block Bush- ing Screw (3)
256059	16446	Needle Holder Gauge Plate Body
256060	16446	" " " " Center Plate (for narrow bight)
350379D	16446	Needle Holder Gauge Plate Clamping Screw
1550J	16446	Needle Holder Gauge Plate Clamping Screw Nut
200118F	16446	Needle Holder Gauge Plate Screw (2)
256061	16446	" " " " Shim
256064	16446	" " " " Side Plate (left)
256062	16446	Needle Holder Gauge Plate Side Plate (right)
256063	16446	Needle Holder Gauge Plate (for narrow bight) complete, Nos. 256059, 256060, 256062, 256064, two each 1550J, 256061 and 350379D
208AL	16446	Needle Holder Screw (2)
256181	16446	" " Slide
256068	16446	" " " Lever with 256069 and 351861
350147C	16446	Needle Holder Slide Lever Hinge Screw
351861	16446	" " " " Roller
256069	16446	" " " " Stud
256203	16446	" " " " Stud
350416E	16446	" " " " " Screw
256204	16446	" " " " " " Washer
256184	16446	Needle Holder Slide Stud
620C	16446	" " " " Set Screw
256228	16446	" Rotating Gear
250118	16446	" " " " Key

No.	Plate	Name
906F	16446	Needle Set Screw
250119	16410	" Thread Guide
232792	16410	" " Loader
1664E	16410	" " " Nut
256200	16410	" " Pull-off (adjustable)
1550J	16410	" " " " Lock Nut
256070	16410	" " Take-up with 201374E and 201937
256072	16410	Needle Thread Take-up Bracket
256073	16410	" " " " Cover
1423F	16410	" " " " " Screw (4)
250399	16410	Needle Thread Take-up Bracket Position Pin (2)
161D	16410	Needle Thread Take-up Bracket Screw (3)
256074	16410	" " " " Cam with two 457AL
232721	16410	" " " " Position Pin
457AL	16410	" " " " Set Screw
256075	16410	" " " " Shaft
232673	16410	" " " " " Gear with two 448AL
40025	16410	Needle Thread Take-up Cam Shaft Gear Position Pin
448AL	16410	Needle Thread Take-up Cam Shaft Gear Set Screw
350268C	16410	Needle Thread Take-up Hinge Screw
201873	16410	" " " " Roller
201937	16410	" " " " " 201873 with 201144E and 232686
201144E	16410	Needle Thread Take-up Roller Cap Screw
232686	16410	" " " " " Stud
201374E	16410	" " " " " " Cap Screw
256071	16410	Needle Thread Take-up Thread Guide
1423F	16410	" " " " " " Screw (2)
32012	16410	Needle Thread Tension Disc (2)
991C	16464	" " " " Releasing Adjust- ing Screw
1550J	16464	Needle Thread Tension Releasing Ad- justing Screw Nut
256076	16410	Needle Thread Tension Releasing Arm
974F	16410	" " " " " " Hinge Screw
256189	16464	Needle Thread Tension Releasing Block with 200E
200E	16464	Needle Thread Tension Releasing Block Set Screw
32572	16410	Needle Thread Tension Releasing Disc
256215	16464	" " " " " Lever
255010	16464	" " " " " " Brack- et
200346C	16464	Needle Thread Tension Releasing Lever Bracket Adjusting Screw
145E	16464	Needle Thread Tension Releasing Lever Bracket Screw (lower)

No.	Plate	Name
200062H	16464	Needle Thread Tension Releasing Lever Bracket Screw (upper)
256216	16464	Needle Thread Tension Releasing Lever Extension
161D	16464	Needle Thread Tension Releasing Lever Extension Adjusting Screw
226163	16464	Needle Thread Tension Releasing Lever Extension Adjusting Screw Washer
176D	16464	Needle Thread Tension Releasing Lever Extension Screw
35D	16464	Needle Thread Tension Releasing Lever Hinge Screw
255011	16464	Needle Thread Tension Releasing Lever Spring
39635	16410	Needle Thread Tension Releasing Pin
256190	16464	" " " " Rod
256191	16464	" " " " " "
190D	16464	Needle Thread Tension Releasing Rod Bracket Screw (2)
256020	16464	Needle Thread Tension Releasing Rod Plate
792D	16464	Needle Thread Tension Releasing Rod Plate Screw (2)
20BAL	16464	Needle Thread Tension Releasing Rod Screw
256185	16410	Needle Thread Tension Spring
350399C	16410	" " " Stud
1560C	16410	" " " Thumb Nut
250140	16348	" Vibrating Adjusting Link
741C	16348	" " " " " Hinge Screw
350076C	16348	Needle Vibrating Adjusting Stud
1671C	16348	" " " " " Nut
39532	16348	" " " " " Sleeve
255126	16348	" " Bell Crank
250142	16348	" " " " " Connection
*38444	-----	" " " " " End Bearing (back)
38446	16348	Needle Vibrating Bell Crank Connection End Bearing 38444 with 42524, 50016C and two 175E
50016C	16348	Needle Vibrating Bell Crank Connection End Bearing (back) Ball Screw Stud
1636E	16348	Needle Vibrating Bell Crank Connection End Bearing (back) Ball Screw Stud Nut
*42524	-----	Needle Vibrating Bell Crank Connection End Bearing (back) Cap
175E	16348	Needle Vibrating Bell Crank Connection End Bearing (back) Cap Screw
1698C	16348	Needle Vibrating Bell Crank Connection End Bearing (back) Check Nut
*38443	-----	Needle Vibrating Bell Crank Connection End Bearing (front)

No.	Plate	Name
250143	16348	Needle Vibrating Bell Crank Connection End Bearing 38443 with 42525, 201449C and two 175E
201449C	16348	Needle Vibrating Bell Crank Connection End Bearing (front) Ball Screw
*42525	-----	Needle Vibrating Bell Crank Connection End Bearing (front) Cap
175E	16348	Needle Vibrating Bell Crank Connection End Bearing (front) Cap Screw
1697C	16348	Needle Vibrating Bell Crank Connection End Bearing (front) Check Nut
350282C	16348	Needle Vibrating Bell Crank Hinge Screw
256002	16414	Needle Vibrating Lever with 202423
256079	16414	" " " Hinge Stud
443C	16414	" " " " " Set Screw
202423	16414	Needle Vibrating Lever Oil Packing (wick)
256178	16446	Needle Vibrating Ring with 462AL
232421	16446	" " " Guide Stud
200083E	16446	" " " " " Set Screw
232443	16446	Needle Vibrating Ring Position Pin
462AL	16446	" " " " " Set Screw
256179	16446	" " " Rod
250146	16446	" " " " Guide with 1230E
232443	16446	" " " " Position Pin
1230E	16446	" " " " Set Screw
256080	16446	" " " Switch
200308D	16446	" " " Hinge Screw
256126	17402	Pattern Wheel (adjustable) with 256205 and two 205D, for buttonholes from 7/8 to 1-1/8 in. (large and medium eye)
201668E	16446	Pattern Wheel Clamping Nut
256205	17402	" " " Position Plate
205D	17402	" " " " " Screw
250148	16446	" " " Stud
250372	17402	" " " Rapid Feed Trip Point
203E	17402	" " " " " Screw
251494	17402	" " " Ring (adjustable)
251426	17402	" " " 251494 with 252662, 252663, two each 211E and 250444
252662	17402	Pattern Wheel Ring Adjusting Segment (curved rise)
252663	17402	Pattern Wheel Ring Adjusting Segment (straight drop)
211E	17402	Pattern Wheel Ring Adjusting Segment Screw
250444	17402	Pattern Wheel Ring Adjusting Segment Screw Washer
391D	17402	Pattern Wheel Ring Screw

No.	Plate	Name
256127	17402	Pattern Wheel, (adjustable), for button-holes from 7/8 to 1-1/8 in. (large and medium eye) complete, Nos. 2561426, 256126, two each 203E, 250372 and three 391D
251298	16445	Pattern Wheel Shaft with 250148
250150	16445	" " " Bevel Gear with 168D
40025	16445	" " " " " Position Pin
168D	16445	Pattern Wheel Shaft Bevel Gear Set Screw
250151	16445	Pattern Wheel Shaft Bushing (left)
145E	16445	" " " " " " Screw (2)
250152	16445	Pattern Wheel Shaft Bushing (right)
647E	16445	" " " " " " Screw (2)
232600	16445	Pattern Wheel Shaft Collar with two 453AL
453AL	16445	Pattern Wheel Shaft Collar Set Screw
250154	16445	Rapid Feed Clutch Disengaging Lever (3)
253481	16445	" " " " " Sleeve
250156	16445	" " " " " Driving Disc
1230R	16445	" " " " " " Screw (4)
201897	16445	" " " " " Roller (3)
255095	16445	" " " " " Carrier with 624E
40025	16445	Rapid Feed Clutch Roller Carrier Position Pin
624E	16445	Rapid Feed Clutch Roller Carrier Set Screw
250153	16445	Rapid Feed Clutch Roller Retainer (3)
208AL	16445	" " " " " " Screw (3)
255096	16445	Rapid Feed Clutch Roller Spring (3)
255097	16445	" " " " " " Guide Pin (3)
250158	16367	Rapid Feed Crank Shaft
250159	16367	" " " " " Bushing (back)
250160	16367	" " " " " " " Oil Tube (lower) (brass)
250495	16367	Rapid Feed Crank Shaft Bushing (back) Oil Tube (upper) (brass)
250161	16367	Rapid Feed Crank Shaft Bushing (front)
436C	16367	" " " " " " Set Screw (2)
232600	16367	" " " " " " Collar with two 453AL
453AL	16367	Rapid Feed Crank Shaft Collar Set Screw
250452	16367	" " " " " " Gear with 458C
232719	16367	" " " " " " Position Pin
458C	16367	" " " " " " Set Screw
202260	16367	" " " " " " Oil Packing (wick) (2)
*256091	-----	Rapid Feed Driving Gear
250398	16349	" " " " " " Key

No.	Plate	Name
250164	16364	Rapid Feed Gear Guard
641D	16364	" " " " " Screw (2)
256223	16364	" " " " " Intermediate Gear (bronze)
201447C	16364	" " " " " " Screw Stud
1510E	16364	Rapid Feed Intermediate Gear Screw Stud Nut
250167	16364	Rapid Feed Intermediate Gear Screw Stud Nut Washer
250405	16364	Rapid Feed Intermediate Gear Screw Stud Washer
253536	16367	Rapid Feed Pawl Bell Crank with 202299
11C	16367	" " " " " " Hinge Screw
202299	16367	" " " " " " Oil Packing (wick)
250171	16367	Rapid Feed Pawl Bell Crank Slide Block Section (2)
250172	16367	Rapid Feed Pawl Guide
181D	16367	" " " " " " Screw (2)
350260C	16367	" " " " " Hinge Screw
1655E	16367	" " " " " " Nut
252266	16372	" " " " " Slide Bar
250174	16372	" " " " " Bushing (left)
145E	16372	" " " " " " " Screw (2)
250175	16372	Rapid Feed Slide Bar Bushing (right)
647E	16372	" " " " " " " Screw (2)
252269	16372	Rapid Feed Slide Bar Collar with 448AL
40025	16372	" " " " " " Position Pin
448AL	16372	" " " " " " Set Screw
256065	16372	" " " " " " Fork Connection with 889AL
253538	16372	Rapid Feed Slide Bar Fork Connection Extension Plate
176D	16372	Rapid Feed Slide Bar Fork Connection Extension Plate Screw (2)
350321E	16372	Rapid Feed Slide Bar Fork Connection Position Screw
350385C	16372	Rapid Feed Slide Bar Fork Connection Screw Stud
889AL	16372	Rapid Feed Slide Bar Fork Connection Set Screw
252306	16367	Rapid Feed Slide Bar Lock
252271	16367	" " " " " " Block
232055	16367	" " " " " " " Position Pin
704E	16367	Rapid Feed Slide Bar Lock Block Screw
350262E	16367	" " " " " " Hinge Screw
250409	16367	" " " " " " Spring
1241E	16372	" " " " " " " Screw Eye
250194	16367	Rapid Feed Slide Bar Lock Trip
56C	16367	" " " " " " " Hinge Screw

No.	Plate	Name
252273	16372	Rapid Feed Slide Bar Spring
350293E	16372	" " " " " Cap Screw
252274	16372	" " " " " Washer
250180	16462	" " Starting Latch
199C	16462	" " " " " Cap Screw
201446C	16462	" " " " " Hinge Screw
		Stud
250181	16462	Rapid Feed Starting Lever with 1454E
255053	16462	" " " " " (operated by stop motion) with 704C, 1454E, 203213 and 255054
255064	16462	Rapid Feed Starting Lever Latch
350256C	16462	" " " " " Hinge Screw
255092	16462	Rapid Feed Starting Lever Latch Spring
217E	16462	" " " " " " "
7071	16462	Rapid Feed Starting Lever Latch Spring Screw Washer
253512	16462	Rapid Feed Starting Lever Latch Stop Washer
193D	16462	Rapid Feed Starting Lever Latch Stop Washer Screw
1330C	16407	Rapid Feed Starting Lever Operating Screw Stud
201445E	16462	Rapid Feed Starting Lever Position Screw (2)
1454E	16462	Rapid Feed Starting Lever Set Screw
250185	16462	" " " " " Shaft
204197	16462	" " " " " Collar with 200113F
200113F	16462	Rapid Feed Starting Lever Shaft Collar Set Screw
250409	16462	Rapid Feed Starting Lever Spring
1241E	16462	" " " " " " Screw
		Eye
255054	16462	Rapid Feed Starting Lever Stud
704C	16462	" " " " " " Set Screw
203213	16462	Rapid Feed Starting Lever Stud Spring
253537	16367	" " " " " Pawl
256177	16367	" " " " " Oiling Pad (felt)
181D	16367	Rapid Feed Starting Pawl Oiling Pad Screw
9525	16367	Rapid Feed Starting Pawl Oiling Pad Screw Washer
250188	16367	Rapid Feed Starting Pawl Spring
201454E	16414	" " " " " " Screw
		Eye
1521E	16414	Rapid Feed Starting Pawl Spring Screw Eye Nut
250189	16462	Rapid Feed Starting Trip Lever with 1454E
251623	16462	Rapid Feed Starting Trip Lever Overthrow Stop

No.	Plate	Name
350229E	16462	Rapid Feed Starting Trip Lever Overthrow Stop Screw
7071	16462	Rapid Feed Starting Trip Lever Overthrow Stop Screw Washer
201445E	16462	Rapid Feed Starting Trip Lever Position Screw
201437C	16462	Rapid Feed Starting Trip Lever Screw Stud
1454E	16462	Rapid Feed Starting Trip Lever Set Screw
256192	16464	Rapid Feed Trip Latch
256193	16464	" " " " " Bracket with 200E
200E	16464	" " " " " " Set Screw
256194	16464	" " " " " Disengaging Plate
106D	16464	" " " " " " "
		Hinge Screw
100D	16464	Rapid Feed Trip Latch Hinge Screw
255157	16464	" " " " " Spring
201160E	16464	" " " " " " Screw Eye
256195	16464	" " " " " Lever with two 200E (for straight buttonholes)
200E	16464	Rapid Feed Trip Lever Set Screw
255123	16364	" " " " " Tripping Pawl
1410D	16364	" " " " " Cap Screw
255124	16364	" " " " " Lever
250432	16364	" " " " " " Bracket
232154	16364	" " " " " " " "
		Position Pin (2)
350110C	16364	Rapid Feed Tripping Pawl Lever Bracket Screw
14017	16364	Rapid Feed Tripping Pawl Lever Bracket Screw Washer
72C	16364	Rapid Feed Tripping Pawl Lever Hinge Screw
255167	16364	Rapid Feed Tripping Pawl Spring
250195	16367	" " " " " Worm with 453AL
25362	16367	" " " " " Ball
250196	16367	" " " " " Bearing Cup
225007	16367	" " " " " Retainer with eight 25362
252244	16367	Rapid Feed Worm Position Pin
453AL	16367	" " " " " Set Screw
250197	16445	" " " " " Wheel
250198	16445	" " " " " Collar with two 453AL
453AL	16445	Rapid Feed Worm Wheel Collar Set Screw
202244	16445	" " " " " Oil Packing (wick)
256196	16409	Starting and Retaining Latch with 201160E
255136	16409	Starting and Retaining Latch Crank with 209F and 1819
2269	16409	Starting and Retaining Latch Crank Position Pin
1819	16409	Starting and Retaining Latch Crank Roller and Stud

No.	Plate	Name
209F	16409	Starting and Retaining Latch Crank Set Screw
255157	16409	Starting and Retaining Latch Spring
201160E	16409	" " " " " Screw Eye
255158	16405	Starting and Retaining Latch Tripping Block
235404	16405	Starting and Retaining Latch Tripping Block Pin
183C	16405	Starting and Retaining Latch Tripping Block Screw
255138	16409	Starting Bell Crank with 201160E
350291C	16409	" " " Hinge Screw
250202	17426	" Rod
250203	17426	" " Block with 203E
2273	17426	" " " Position Pin
203E	17426	" " " Set Screw
40043	17426	" " Collar with 209AL (?)
209AL	17426	" " " Set Screw
250204	17426	" " Lock
946D	17426	" " " Hinge Screw
250205	17426	" " " Spring
213D	17426	" " " " Screw
250206	17426	" " " " Washer
250207	17426	" " Safety Lock
38D	17426	" " " " Hinge Screw
226467	17426	" " " " " Washer
250423	17426	Starting Rod Spring
201160E	17426	" " " " Screw Eye
250210	16414	Stitch Regulating Gear, 22 teeth
250211	16414	" " " 26 teeth
250212	16414	" " " 28 teeth
250598	16414	" " " 30 teeth
250213	16414	" " " 33 teeth
Note: No. 250213 is furnished with this machine unless otherwise specified on order.		
250214	16414	Stitch Regulating Gear, 34 teeth
250415	16414	" " " 38 teeth
250478	16414	" " " 42 teeth
201660C	16414	" " " Lock Nut
256081	16355	" Rotating Lever (lower) with 458C
201442C	16355	" " " " Position Screw
351862	16355	Stitch Rotating Lever (lower) Roller
350378C	16355	" " " " " Screw Stud
201666E	16355	Stitch Rotating Lever (lower) Roller Screw Stud Nut
458C	16355	Stitch Rotating Lever (lower) Set Screw
232591	17425	Stitch Rotating Lever (upper) with 448AL
40025	17425	Stitch Rotating Lever (upper) Position Pin

No.	Plate	Name
448AL	17425	Stitch Rotating Lever (upper) Set Screw
232807	16355	Stitch Rotating Lever Connection (front section) (lower)
232593	17425	Stitch Rotating Lever Connection (front section) (upper)
232808	16355	Stitch Rotating Lever Connection (rear section) (lower)
232592	17425	Stitch Rotating Lever Connection (rear section) (upper)
58F	16355	Stitch Rotating Lever Connection Hinge Screw (4)
172D	16355	Stitch Rotating Lever Connection Screw (lower)
39504	16355	Stitch Rotating Lever Connection Screw Washer (lower)
193D	17425	Stitch Rotating Lever Connection Screw (upper)
232717	17425	Stitch Rotating Lever Connection Screw Washer (upper)
232764	16355	Stitch Rotating Lever Connection (lower) complete, Nos. 232807, 232808, two each 172D and 39504
250400	17425	Stitch Rotating Lever Connection (upper) complete, Nos. 232592, 232593, 232717 and two 193D
250394	16355	Stitch Rotating Lever Rock Shaft
250216	16355	" " Sector (lower)
232597	16355	" " " " Bracket
690D	16355	" " " " " Screw
226163	16355	" " " " " " Washer
350087C	16355	Stitch Rotating Sector (lower) Hinge Screw
250217	17425	Stitch Rotating Sector (upper)
232599	17425	" " " " Bracket
201395D	17425	" " " " " " Screw (2)
251026	16363	Stop Lever with 200352C
232262	16363	" " Bracket
350263E	16363	" " " Screw
250218	16363	" " Crank with 453AL
40025	16363	" " " Position Pin
453AL	16363	" " " Set Screw
232263	16363	" " Friction Pad (rawhide)
200110D	16363	" " " " Screw (2)
255169	16363	" " Interlocking Slide
201084C	16363	" " " " Adjusting Screw
201628E	16363	Stop Lever Interlocking Slide Adjust- ing Screw Nut
1178D	16363	Stop Lever Interlocking Slide Screw
232265	16363	" " " " " Washer
250416	16363	Stop Lever Interlocking Slide Spring

No.	Plate	Name
250219	16365	Stop Lever Link
250220	16365	" " " Connection
250221	16365	" " " " Locking Pin
250222	16365	" " " " " "
		Spring
217D	16365	Stop Lever Link Connection Locking Pin Spring Screw (?)
350225D	16365	Stop Lever Link Connection Screw (back)
807D	16365	" " " " " (front)
64C	16365	" " " Hinge Screw
250223	16365	" " Operating Lever
11C	16365	" " " " Hinge Screw
250224	16365	" " " Plate
157D	16365	" " " " Screw
39541	16365	" " " " Washer
201442C	16363	" " Position Screw
200352C	16363	" " Set Screw
250225	16363	" " Shaft
256217	16363	" " Spring
201110D	16363	" " " Screw
254093	16459	Throat Plate
250447	16459	" " Adjusting Block
176D	16459	" " Screw
250560	16459	" " Washer
*256083	16414	Vertical Shaft with two each 204648 and 250589
256201	16414	Vertical Shaft 256083 with 232719 and 255522
255522	16414	Vertical Shaft Bevel Gear (lower) with two 453AL
232719	16414	Vertical Shaft Bevel Gear (lower) Position Pin
256084	16414	Vertical Shaft Bevel Gear (upper) with two 453AL
40025	16414	Vertical Shaft Bevel Gear (upper) Position Pin (2)
453AL	16414	Vertical Shaft Bevel Gear Set Screw
250396	16414	" " Bushing (lower)
350455E	16414	" " " " Screw (2)
201730E	16414	" " " " " Nut (2)
256085	16414	" " " (upper)
575C	16414	" " " " Set Screw
253717	17427	Work Clamp Arm (left)
253718	17428	" " " (right)
250525	17427	" " " Bracket (left)
255057	17427	" " " " 250525 with 250268, 250551, 250552, 253666 and three 2269
250526	17428	Work Clamp Arm Bracket (right)
255058	17428	" " " " 250526 with 250266, 250528, 250529, 253666 and three 2269
201129D	17427	Work Clamp Arm Bracket Screw (back)
253666	17427	" " " Cam with 209F
2269	17427	" " " " Position Pin

No.	Plate	Name
209F	17427	Work Clamp Arm Cam Set Screw
250552	17427	" " " " Shaft (left)
250528	17428	" " " " " (right)
201237E	17427	" " " " Stop Screw
201537H	17427	" " " " " Nut
256214	17427	" " " Hinge Block
350123E	17427	" " " " Hinge Screw
200051E	17427	" " " Screw
1321E	17427	" " " Spring
350136E	17427	" " " " Screw
256086	17427	" " Base (left) with 251619
256097	17427	" " " " 256086 with 194C, 217E, 662D, 792D, 991E, 1423F, 1443F, 1550J, 7071, 10E49, 13E18, 200051E, 200097C, 201237E, 201537H, 250241, 250418, 250419, 251518, 251519, 25220E, 253717, 253724, 255003, 255016, 255057, 255162, 255164, 256100, 256214, 256226, 359080D, 350136E, two each 207F, 201129D, 228026, 350123E and nine 934H
25516F	17427	Work Clamp Base (left) Guard
934H	17427	" " " " Screw
256087	17428	" " " (right) with 251619
256098	17428	" " " " 256087 with 662D, 792D, 991E, 1423F, 1443F, 1550J, 1521E, 200051E, 201237E, 201537H, 228026, 232270 to 232272, 250242, 250275, 252202, 253718, 253724, 255003, 255016, 255058, 255163, 255165, 256101, 256214, 256226, 350136E, two each 200186B, 201129D, 350123E, four 207F and nine 934H
255163	17428	Work Clamp Base (right) Guard
934H	17428	" " " " " Screw
256100	17427	" " " Clamping Plate (left)
256101	17428	" " " " (right)
934H	17427	" " " " " Screw
251619	17427	" " " Hinge Stud
250439	16455	" " " Retaining Stud
250241	17427	" " " Spring (left)
250242	17428	" " " " (right)
1443F	17427	" " " " Screw
201451E	16455	" " " " Stud (2)
232309	16455	" " " Stop Block (2)
232310	16455	" " " " " Position Pin (2)
201148H	16455	Work Clamp Stop Block Screw (2)
256021	16455	" " Carrier Base Plate with 250439
256040	16455	Work Clamp Carrier Base Plate Extension
934E	16455	Work Clamp Carrier Base Plate Extension Screw (2)
256022	16379	Work Clamp Carrier Base Plate Slide Rod

No.	Plate	Name
201643E	16379	Work Clamp Carrier Base Plate Slide Rod Nut (2)
250095	16379	Work Clamp Carrier Base Plate Slide Rod Position Pin (2)
200119D	16379	Work Clamp Carrier Base Plate Slide Rod Set Screw
250244	16413	Work Clamp Carrier Feed Lever
350185C	16413	" " " " " Hinge Screw
250245	16413	Work Clamp Carrier Feed Lever Link
250246	16413	" " " " " " Block
50168E	16413	Work Clamp Carrier Feed Lever Link Block Screw (2)
350070C	16413	Work Clamp Carrier Feed Lever Link Hinge Screw (block end)
350216C	16413	Work Clamp Carrier Feed Lever Link Hinge Screw (lever end)
351863	16413	Work Clamp Carrier Feed Lever Roller
351864	16413	" " " " " " 351863 with 256088 and 350072E
350072E	16413	Work Clamp Carrier Feed Lever Roller Cap Screw
256088	16413	Work Clamp Carrier Feed Lever Roller Stud
255076	16413	Work Clamp Carrier Feed Lever Roller Stud Washer
250248	16371	Work Clamp Carrier Side Throw Lever (lower section) with 201097C and 201530E
*256186	-----	Work Clamp Carrier Side Throw Lever (upper section)
256187	16371	Work Clamp Carrier Side Throw Lever (upper section) 256186 with 201374E, 256188, 351866 and two 1176D
*256188	-----	Work Clamp Carrier Side Throw Lever Extension
1176D	16371	Work Clamp Carrier Side Throw Lever Extension Screw
250599	16371	Work Clamp Carrier Side Throw Lever Hinge Stud
250600	16371	Work Clamp Carrier Side Throw Lever Hinge Stud Collar with two 448AL
448AL	16371	Work Clamp Carrier Side Throw Lever Hinge Stud Collar Set Screw
435AL	16371	Work Clamp Carrier Side Throw Lever Hinge Stud Set Screw
250250	16371	Work Clamp Carrier Side Throw Lever Lock Pin with 201940 and 350072E
201940	16371	Work Clamp Carrier Side Throw Lever Lock Pin Roller
350072E	16371	Work Clamp Carrier Side Throw Lever Lock Pin Roller Cap Screw
201430C	16371	Work Clamp Carrier Side Throw Lever Lock Pin Screw Stud

No.	Plate	Name
250251	16371	Work Clamp Carrier Side Throw Lever Lock Pin Spring
191C	16371	Work Clamp Carrier Side Throw Lever Lock Pin Spring Screw (2)
351865	16371	Work Clamp Carrier Side Throw Lever Roller
351866	16371	Work Clamp Carrier Side Throw Lever Roller 351865 with 256090 and 201144E
201144E	16371	Work Clamp Carrier Side Throw Lever Roller Cap Screw
256090	16371	Work Clamp Carrier Side Throw Lever Roller Stud
201374E	16371	Work Clamp Carrier Side Throw Lever Roller Stud Cap Screw
232321	16371	Work Clamp Carrier Side Throw Lever Slide Block
250252	16455	Work Clamp Carrier Side Throw Lever Slide Block Guide
231C	16455	Work Clamp Carrier Side Throw Lever Slide Block Guide Screw (3)
201097C	16371	Work Clamp Carrier Side Throw Lever Slide Block Screw Stud
201530E	16371	Work Clamp Carrier Side Throw Lever Slide Block Screw Stud Nut
256023	16379	Work Clamp Carrier Slide (left) with 200119D
256024	16379	Work Clamp Carrier Slide (right) with 200119D
255509	16379	Work Clamp Carrier Slide Gib (left, back)
255510	16379	Work Clamp Carrier Slide Gib (left, front)
255511	16379	Work Clamp Carrier Slide Gib (right, back)
255512	16379	Work Clamp Carrier Slide Gib (right, front)
50168E	16379	Work Clamp Carrier Slide Gib Screw
256025	16379	" " " " Stay Plate
256026	16379	" " " " " Lock Washer
350369E	16379	Work Clamp Carrier Slide Stay Plate Lock Washer Screw
250597	16379	Work Clamp Carrier Slide Stay Plate Position Pin (2)
231C	16379	Work Clamp Carrier Slide Stay Plate Screw (5)
256225	17427	Work Clamp Check (left) with 350487E
256226	17428	" " " (right) with 350487E
350487E	17427	" " " Hinge Screw
253724	17427	" " " Spring
662D	17427	" " " Screw
252194	16407	" " Closing Lever
250266	17428	" " " (hand) with 209F

No.	Plate	Name
2269	17428	Work Clamp Closing Lever (hand) Position Pin
209F	17428	Work Clamp Closing Lever (hand) Set Screw
252196	16407	Work Clamp Closing Lever Adjusting Arm with 201531H, 201948 and 228026
1178D	16407	Work Clamp Closing Lever Adjusting Arm Screw
14017	16407	Work Clamp Closing Lever Adjusting Arm Screw Washer
255021	16405	Work Clamp Closing Lever Cam Groove Protector
210750	16405	Work Clamp Closing Lever Cam Groove Protector Position Pin
172D	16405	Work Clamp Closing Lever Cam Groove Protector Screw
255153	16405	Work Clamp Closing Lever Disengaging Block
183C	16405	Work Clamp Closing Lever Disengaging Block Screw
250406	16405	Work Clamp Closing Lever Disengaging Block Shim (.005 in. thick)
250407	16405	Work Clamp Closing Lever Disengaging Block Shim (.010 in. thick)
256197	16407	Work Clamp Closing Lever Engaging Stud
255141	16409	" " " " " "
		Latch
255161	16409	Work Clamp Closing Lever Engaging Stud Latch Spring
1241E	16409	Work Clamp Closing Lever Engaging Stud Latch Spring Screw Eye
256199	16348	Work Clamp Closing Lever Engaging Stud Lock Plate
200076D	16348	Work Clamp Closing Lever Engaging Stud Lock Plate Screw
7071	16348	Work Clamp Closing Lever Engaging Stud Lock Plate Screw Washer
256198	16407	Work Clamp Closing Lever Engaging Stud Sleeve
232105	16407	Work Clamp Closing Lever Engaging Stud Sleeve Pin
255143	16407	Work Clamp Closing Lever Engaging Stud Spring
256209	16407	Work Clamp Closing Lever Engaging Stud 256197 with 232105 and 256198
255144	16405	Work Clamp Closing Lever Engaging Stud Wear Plate
210750	16405	Work Clamp Closing Lever Engaging Stud Wear Plate Position Pin
183C	16405	Work Clamp Closing Lever Engaging Stud Wear Plate Screw
350407C	16407	Work Clamp Closing Lever Hinge Screw
201729C	16407	" " " " " "
		Nut
201947	16407	Work Clamp Closing Lever Roller

No.	Plate	Name
201948	16407	Work Clamp Closing Lever Roller 201947 with 350156E
350156E	16407	Work Clamp Closing Lever Roller Screw Stud
201531H	16407	Work Clamp Closing Lever Roller Screw Stud Nut
228026	16407	Work Clamp Closing Lever Roller Screw Stud Washer
991C	17426	Work Clamp Closing Lever Stop Screw
252199	17425	" " " Safety Bracket with two 453AL
453AL	17425	Work Clamp Closing Safety Bracket Set Screw
250268	17427	Work Clamp Connection Lever (left) with 209F
250529	17428	Work Clamp Connection Lever (right) with 209F
2269	17427	Work Clamp Connection Lever Position Pin
209F	17427	Work Clamp Connection Lever Set Screw
250270	17425	" " Opening Bell Crank with 1819
659D	17425	" " " " " Hinge Screw
1819	17425	" " " " " Roller and Stud
232200	17425	Work Clamp Opening Bell Crank Spring
1241E	17425	" " " " " "
		Screw Eye
253680	16405	Work Clamp Opening Cam with 462AL
12509	16405	" " " " Position Pin
462AL	16405	" " " " Set Screw
250551	17427	" " " Lever with 1253C
251519	17427	" " " " Latch
253679	17425	" " " " Releasing Bracket with 200E, 1547J and 350218C
200E	17425	Work Clamp Opening Lever Latch Releasing Bracket Set Screw
350218C	17425	Work Clamp Opening Lever Latch Releasing Screw
1547J	17425	Work Clamp Opening Lever Latch Releasing Screw Check Nut
10249	17427	Work Clamp Opening Lever Latch Spring
217E	17427	" " " " " "
		Screw
7071	17427	Work Clamp Opening Lever Latch Spring Screw Washer
194C	17427	Work Clamp Opening Lever Latch Stop Screw
2269	17427	Work Clamp Opening Lever Position Pin
1253C	17427	" " " " Set Screw
255077	17425	" " " Rod
255079	17425	Work Clamp Opening Rod complete, Nos. 203C, 1662C, 250287, 253679, 255077 and 255078
255078	17425	Work Clamp Opening Rod Connection

No.	Plate	Name
807D	17425	Work Clamp Opening Rod Connection Hinge Screw
250274	17425	Work Clamp Opening Rod Guide with 808D
808D	17425	" " " " " Pinch Screw
1662C	17425	" " " " Nut
250275	17428	" " " Stop (adjustable)
207F	17428	" " " " Screw
256030	16455	" " Spreader (front)
256031	16455	" " " " Adjusting Block (left)
256032	16455	Work Clamp Spreader (front) Adjusting Block (right)
256033	16455	Work Clamp Spreader (front) Adjusting Block Lever (left)
256034	16455	Work Clamp Spreader (front) Adjusting Block Lever (right)
201463D	16455	Work Clamp Spreader (front) Adjusting Block Lever Hinge Screw (2)
251202	16455	Work Clamp Spreader (front) Adjusting Block Lever Spring
203E	16455	Work Clamp Spreader (front) Adjusting Block Screw (2)
7071	16455	Work Clamp Spreader (front) Adjusting Block Screw Washer (2)
256035	16455	Work Clamp Spreader (front) Connection
99C	16455	" " " " " Hinge Screw (2)
256036	16455	Work Clamp Spreader (front) Lever
940F	16455	" " " " " Hinge Screw
256037	16455	Work Clamp Spreader (front) Strap
190D	16455	" " " " " Screw (2)
250276	16455	Work Clamp Spreader (left)
350140D	16455	" " " " " Screw
256027	16455	" " " (right)
201463D	16455	" " " " " Screw
991E	17427	" " " Adjusting Screw
252202	17427	" " " " " Bracket
207F	17427	" " " " " Screw
1550J	17427	Work Clamp Spreader Adjusting Screw Nut
256028	16455	Work Clamp Spreader Base Plate
256231	16455	" " " " " Retaining Block (2)
201026E	16455	Work Clamp Spreader Base Plate Retaining Block Screw (4)
50058D	16455	Work Clamp Spreader Base Plate Screw (2)
253505	16455	Work Clamp Spreader Connection
253506	16455	" " " " " Bracket with 201981
1981	16455	Work Clamp Spreader Connection Bracket Roller

No.	Plate	Name
201981	16455	Work Clamp Spreader Connection Bracket Roller 1981 with 253524
253524	16455	Work Clamp Spreader Connection Bracket Roller Stud
208AL	16455	Work Clamp Spreader Connection Bracket Screw (2)
201453C	16455	Work Clamp Spreader Connection Hinge Screw
250281	16455	Work Clamp Spreader Connection Link (left)
253507	16455	Work Clamp Spreader Connection Link (right)
201452E	16455	Work Clamp Spreader Connection Link Hinge Screw (2)
256038	16455	Work Clamp Spreader Operating Fork Lever
212D	16455	Work Clamp Spreader Operating Fork Lever Cap Screw
350138E	16455	Work Clamp Spreader Operating Fork Lever Hinge Screw
255081	16455	Work Clamp Spreader Operating Fork Lever Stop Plate
203E	16455	Work Clamp Spreader Operating Fork Lever Stop Plate Screw
7071	16455	Work Clamp Spreader Operating Fork Lever Stop Plate Screw Washer
250285	16407	Work Clamp Spreader Operating Pawl
252512	16407	" " " " " Ad-justing Block
176D	16407	Work Clamp Spreader Operating Pawl Ad-justing Block Screw
7071	16407	Work Clamp Spreader Operating Pawl Ad-justing Block Screw Washer
132E	16407	Work Clamp Spreader Operating Pawl Ad-justing Screw
201669E	16407	Work Clamp Spreader Operating Pawl Ad-justing Screw Nut
741C	16407	Work Clamp Spreader Operating Pawl Hinge Screw
250286	16407	Work Clamp Spreader Operating Pawl Spring
201314C	16407	Work Clamp Spreader Operating Pawl Stop Screw
252513	16407	Work Clamp Spreader Operating Pawl complete, Nos. 176D, 7071, 250285 and 252512
250287	17425	Work Clamp Spreader Releaser
203C	17425	" " " " " Screw
201314C	16455	" " " " " Screw Stud (2)
255003	17427	" " Spring
255016	17427	" " " " " Wear Plate
792D	17427	" " " " " Screw
255164	17427	" " Position Gauge (left)
255165	17428	" " " (right)
1423F	17427	" " " " " Screw
228026	17427	" " " " " Washer

ACCESSORIES

No.	Plate	Name
256106	17424	Buttonhole Cutting Block (steel), 1 in. (eye or taper bar)
256120	17424	Buttonhole Cutting Knife (.100 x .180 eye)
250212	16414	Stitch Regulating Gear, 28 teeth
232486	16382	Threader Wire (large)
255554	16382	" " (small)
255513	16382	Tweezers
142 x 5	-----	Needles, six, size 17
250004	16382	Bed Cushion (leather) (back)
250006	16382	" " " (front)
250007	16382	" " (fibre) (inside)
250008	16382	" " " (outside)
158E	16382	" " Screw
250018	16382	" Support (left) with 250004, 250006, 250008, two 250007 and six 158E
250019	16382	Bed Support (right) with 250004, 250006, 250008, two 250007 and six 158E
250288	16383	Drip Pan
250408	16382	Machine Rest (high) with 232982 and two wood screws 1 in., No. 12
232982	16382	Machine Rest Cushion (leather)
120346	16382	Oiler (copper plated) with 120347
120347	16382	" Spout (8-1/2 in. long)
*250521	-----	Screw Driver Blade
*225483	-----	" " Handle
250522	16382	Screw Driver complete (for needle set screw), Nos. 225483 and 250521
255542	16383	Screw Driver, (8 in. blade)
11831	16383	" " 5 in. blade
250543	16383	Stitch Regulating Gear Holder
23535	16383	Wrench, for 1697 and 1698
232900	16383	" for 201362 and 201668
232935	16383	" for 201658, 201659 and 201670 (2)
250289	16382	" for 201442 350111
255533	16382	" for 201442 and 201445
255539	16383	" for 1550 and 350136
255540	16383	" for 201524
255541	16383	" for 201628 and 201660
256019	16383	" for 201727 and 201728 (C)
		Wood Screws 1-1/4 in. No. 12 (4)

THREAD UNWINDER

FOR THREE SPOOLS

No.	Plate	Name
259370	16385	Spool Pin
225375	16385	" " (wood)
259378	16385	" " Arm with 217E and 259379
232896	16385	" " " Bracket with two 448AL
448AL	16385	" " " " Set Screw
448AL	16385	" " " " Set Screw
259371	16385	" " Cap (Bakelite)
1010F	16385	" " " Hinge Screw
259379	16385	" " Retaining Spring
259372	16385	" " Washer
259373	16385	Spool Pin complete, Nos. 1010F and 259370 to 259372
259374	16385	Spool Rest (for one spool) (flat) with 201018C
259375	16385	Spool Rest (for two spools) (flat) with 201018C
150203	16385	Spool Rest Cushion (felt)
250453	16385	" " Rod (lower)
225388	16385	" " " (upper)
250454	16385	" " " Coupling with two 456C
456C	16385	" " " " Set Screw
200383C	16385	" " " " Set Screw
201018C	16385	" " " Set Screw
217E	16385	" Screw
259658	16385	" Stand with 200383C
225390	16385	Thread Cone Holder
250472	16385	" Cop Holder
225391	16385	" Guide
201696H	16385	" " Lock Nut
225326	16385	" " Position Cup
350192J	16385	" " Screw Stud
225393	16385	" " " " Washer
200164B	16385	" " Stud Set Screw
225376	16385	Thread Unwinder complete, Nos. 200164B, 201696H, 225326, 225388, 225393, 250453, 250454, 250472, 259374, 259375, 259658, 350192J, three each 150203, 225375, 225390, 225391, 232896, 259373, 259378 and three wood screws 7/8 in., No. 12

DRIVING EQUIPMENT

228628	16388	Belt, size 5/16 in. diam., length 83 in., with two 25029
228629	16391	Belt, size 5/16 in. diam., length 57 in., with 25030
228630	16395	Belt, size 3/8 in. diam., length 120 in., with two 25030

ACCESSORIES

No.	Plate	Name
228631	16388	Belt, size 3/8 in. diam., length 133 in., with two 25030
228608	16389	Belt Guard, for Bridgeport Old Style Power Table (trough) and Slinger Universal Power Table (trough), with two wood screws 3/4 in., No. 10
228610	16390	Belt Guard, for E'port Old Style Power Table (trough), with two wood screws 3/4 in., No. 10
25029	16388	Belt Hook
25030	16388	" "
228565	16387	" Shifter
228566	16387	" " Lever with 2005260
228567	16387	" " " Hinge Stud
2003350	16387	" " " " " Set Screw
228632	16387	" " Locking Spring
2005260	16387	" " Set Screw
228618	16386	Buttonhole Cutter Driving Pulley, 4-5/8 in. diam., with 2003420 and 2003470
228619	16386	Buttonhole Cutter Driving Pulley Driving Pinion, 16 teeth, with 4540
2117E	16386	Buttonhole Cutter Driving Pulley Driving Pinion Pin
4540	16386	Buttonhole Cutter Driving Pulley Driving Pinion Set Screw
2003420	16386	Buttonhole Cutter Driving Pulley Position Screw
2003470	16386	Buttonhole Cutter Driving Pulley Set Screw
228579	16386	Buttonhole Cutter Driving Pulley Shaft
228580	16386	" " " " "
		Bushing with 224392
224392	16386	Buttonhole Cutter Driving Pulley Shaft Bushing Oil Packing (wick)
3500280	16386	Buttonhole Cutter Driving Pulley Shaft Bushing Set Screw
228620	16386	Buttonhole Cutter Driving Pulley Shaft Gear, 48 teeth, with 448AL
2117E	16386	Buttonhole Cutter Driving Pulley Shaft Gear Pin
448AL	16386	Buttonhole Cutter Driving Pulley Shaft Gear Set Screw
228593	16387	Counter Shaft (hollow) with 2003700 and 228595
210833	16387	Counter Shaft Collar with two 2003830
2003830	16387	" " " Set Screw
228590	16387	" " Driving Pulley (loose), 5 in. diameter
228591	16387	Counter Shaft Driving Pulley (tight), 5 in. diam., with 2003520 and 2003630
2003520	16387	Counter Shaft Driving Pulley Position Screw
2003630	16387	Counter Shaft Driving Pulley Set Screw
228601	16387	" " Hanger with 2003350 and 202244

ACCESSORIES

No.	Plate	Name
228588	16387	Counter Shaft Hanger Belt Guard (double)
200002E	16387	Counter Shaft Hanger Belt Guard Screw
202244	16387	" " " Oil Packing (wick)
51080R	16387	" " " Screw
51046R	16387	" " " "
41125R	16387	" " " Washer
228602	16387	" " Oil Cup
228594	16387	" " " Packing; Wick
228595	16387	" " " " Wire
		with 228594
2003700	16387	Counter Shaft Oil Stop Screw
228592	16387	" " Pulley, 5-7/8 in. diam., with 2003520 and 2003630
2003520	16387	Counter Shaft Pulley Position Screw
2003630	16387	" " " Set Screw
228596	16387	Counter Shaft Hanger complete, for Old Style Power Table and Slinger Universal Power Table, Nos. 51080R, 200002E, 210833, 228565 to 228567, 228588, 228590 to 228593, 228601, 228602, 228632, two 51046R and three 41125R
228573	16386	Driving Attachment Belt Guard with 60884
60884	16386	Driving Attachment Belt Guard Drain Plug
50075J	16386	Driving Attachment Belt Guard Thumb Screw
228574	16386	Driving Attachment Bracket with 11119, 228575 and four 3500280
228575	16386	Driving Attachment Bracket Oil Cup
15783	16386	" " " " Tube
11119	16386	" " " " "
		15783 with 52045
52045	16386	Driving Attachment Bracket Oil Tube Packing (cotton)
51046R	16386	Driving Attachment Bracket Screw
41125R	16386	" " " " Washer
228624	16386	" Pulley, 6 in. diam., with 2003740 and 2003960
2003960	16386	Driving Pulley Position Screw
2003740	16386	" " Set Screw
228625	16386	" " Shaft
228571	16386	" " " Bushing with 202260
202260	16386	" " " " Oil Packing (wick)
3500280	16386	Driving Pulley Shaft Bushing Set Screw
228626	16386	" " " Collar with two 2003780
2003780	16386	Driving Pulley Shaft Collar Set Screw
228621	16386	Machine Driving Pulley (loose), 3-1/8 in. diameter
228622	16386	Machine Driving Pulley Clutch
214179	16386	" " " Roller

ACCESSORIES

No.	Plate	Name
214181	16386	Machine Driving Pulley Clutch Roller Spring
214180	16386	Machine Driving Pulley Clutch Roller Spring Plunger
2000500	16386	Machine Driving Pulley Clutch Screw
228623	16386	" " " Collar with two 2003640
2003640	16386	Machine Driving Pulley Collar Set Screw
228627	16386	Driving Attachment complete, Nos. 50075J, 228573, 228574, 228579, 228580, 228618 to 228626, two each 2117E, 228571, three each 41125R, 51046R, 2000500 and 214179 to 214181
228578	16386	Driving Attachment and Idler complete, Nos. 228587 and 228627
234342	16388	Front Plank Extension (back) with two wood screws 1-1/2 in., No. 10, (for flat table)
234349	16395	Front Plank Extension (back) with four wood screws 1-1/2 in., No. 10, for Singer Universal Safety Power Table (flat)
234350	16396	Front Plank Extension (back) with six wood screws 1-1/2 in., No. 10, for Singer Universal Safety Power Table (trough)
234344	16388	Front Plank Extension (front) with two wood screws 2-1/4 in., No. 12 and three wood screws 1-3/4 in., No. 12
228581	16386	Idler Pulley
228643	16386	" " Belt Guard with 200526C
200526C	16386	" " " " Set Screw
228644	16386	" " Bracket with 200526C
200019E	16386	" " " " Screw
228584	16386	" " Shaft with 228586
228602	16386	" " " Oil Cup
228585	16386	" " " " Wick
228586	16386	" " " " " Wire with 228585
200526C	16386	Idler Pulley Shaft Set Screw
228587	16386	Idler complete, Nos. 228584, 228602, 228644, two each 228581, 228643 and three 200019E
150611	16388	Shaft Pulley (sectional, grooved) pressed steel, flat type, rolled edge, 8 in. diam., 1-3/16 in. bore, with two 731N
731N	16388	Shaft Pulley Clamping Screw
150027	16394	Starting Device Bracket with two wood screws 1-1/4 in., No. 14
150028	16394	Starting Device Handle
27638	16394	" " " Spring
23250	16394	" " " Washer
126888	16394	" " " Collar with 217F

ACCESSORIES

No.	Plate	Name
217F	16394	Starting Device Handle Spring Collar Set Screw
126955	16394	Starting Device Rod
126888	16394	" " " Collar with 217F
217F	16394	" " " " Set Screw
126890	16394	Starting Device complete, Nos. 27638, 126955, 150027, 150028, two 23250 and three 126888
150183	16394	Table Belt Guide Bracket with 795C
50285R	16394	" " " " Bolt
126841	16394	" " " " " Clamping Plate
126846	16394	Table Belt Guide Bracket Bolt Nut Lock Washer
12620	16394	Table Belt Guide Bracket Bolt Washer
126750	16394	" " " Pulley with 126752
126868	16394	" " " " Shaft
126752	16394	" " " " Bushing
126869	16394	" " " " " Collar with 1448AL
1448AL	16394	Table Belt Guide Pulley Shaft Collar Set Screw
795C	16394	Table Belt Guide Pulley Shaft Set Screw
150184	16394	Table Belt Guide Pulley Shaft Support Bracket with two wood screws 1 in., No. 12, F.H.
126870	16394	Table Belt Guide complete, Nos. 12620, 50285R, 126841, 126846, 126868, 150183, 150184, two each 126750 and 126869
126715	16395	Transmitter Pulley (sectional, grooved) sheet metal, 5-1/4 in. diameter
228599	16388	Driving Equipment complete, for Old Style or Singer Universal Power Table (flat) Nos. 150611, 228578, 228596, 228628, 228631, 234342, 234344 and blue print template
228605	16391	Driving Equipment complete, for individual Motor Table Nos. 228627 to 228629
228609	16389	Driving Equipment complete, for Bridgeport Old Style Power Table (trough) or Singer Universal Power Table (trough), Nos. 150611, 228578, 228596, 228608, 228628, 228631, 234344 and blue print template
228611	16390	Driving Equipment complete, for E'port Old Style Power Table (trough), Nos. 150611, 228578, 228596, 228610, 228628, 228631, 234344 and blue print template
228612	16392	Driving Equipment complete, for Power Table (flat) with Electric Transmitter Motor Nos. 228627 to 228629, 234342, 234344 and blue print template

No.	Plate	Name
228613	16393	Driving Equipment complete, for E'port Power Table (trough) with Electric Transmitter Motor Nos. 228610, 228627 to 228629, 234344 and blue print template
228645	16395	Driving Equipment complete, for Singer Universal Safety Power Table (flat), Nos. 126715, 126870, 126890, 228627, 228628, 228630, 234349 and blue print template
228646	16396	Driving Equipment complete, for Singer Universal Safety Power Table (trough), Nos. 126715, 126870, 126890, 228627, 228628, 228630, 234350 and blue print template

BUTTONHOLE CUTTING BLOCKS

256175	17424	Buttonhole Cutting Block (steel) 5/8 in. (eye or taper bar)
256104	17424	Buttonhole Cutting Block (steel) 3/4 in. (eye or taper bar)
256105	17424	Buttonhole Cutting Block (steel) 7/8 in. (eye or taper bar)
256106	17424	Buttonhole Cutting Block (steel) 1 in. (eye or taper bar)
256107	17424	Buttonhole Cutting Block (steel) 1-1/8 in. (eye or taper bar)
256108	17424	Buttonhole Cutting Block (steel) 1-1/4 in. (eye or taper bar)
256109	17424	Buttonhole Cutting Block (steel) 1-3/8 in. (eye or taper bar)
256110	17424	Buttonhole Cutting Block (steel) 1-1/2 in. (eye or taper bar)
256111	17424	Buttonhole Cutting Block (steel) 1-5/8 in. (eye or taper bar)
256112	17424	Buttonhole Cutting Block (steel) 5/8 in. (straight)
256113	17424	Buttonhole Cutting Block (steel) 3/4 in. (straight)
256176	17424	Buttonhole Cutting Block (steel) 7/8 in. (straight)
256114	17424	Buttonhole Cutting Block (steel) 1 in. (straight)
256115	17424	Buttonhole Cutting Block (steel) 1-1/8 in. (straight)
256116	17424	Buttonhole Cutting Block (steel) 1-1/4 in. (straight)
256117	17424	Buttonhole Cutting Block (steel) 1-3/8 in. (straight)

No.	Plate	Name
256118	17424	Buttonhole Cutting Block (steel) 1-1/2 in. (straight)
256119	17424	Buttonhole Cutting Block (steel) 1-5/8 in. (straight)

BUTTONHOLE CUTTING KNIVES

256120	17424	Buttonhole Cutting Knife (.100 x .180 eye)
256123	17424	Buttonhole Cutting Knife (.126 x .180 eye)
256121	17424	Buttonhole Cutting Knife (.126 x .200 eye)
256122	17424	Buttonhole Cutting Knife (straight)

PATTERN WHEELS

FOR MAKING EYELET END BUTTONHOLES, WITH LARGE EYE (adjustable)

256125	17402	Pattern Wheel, 5/8 to 7/8 in., complete, Nos. 252292, 256124, two each 203E, 250372 and three 391D
256133	17405	Pattern Wheel, 5/8 to 7/8 in., complete, Nos. 252292, 256132, three each 203E, 391D and 250372
256127	17402	Pattern Wheel, 7/8 to 1-1/8 in., complete, Nos. 251426, 256126, two each 203E, 250372 and three 391D
256135	17405	Pattern Wheel, 7/8 to 1-1/8 in., complete, Nos. 251426, 256134, three each 203E, 391D and 250372
256129	17402	Pattern Wheel, 1-1/8 to 1-3/8 in., complete, Nos. 251428, 256128, two each 203E, 250372 and three 391D
256137	17405	Pattern Wheel, 1-1/8 to 1-3/8 in., complete, Nos. 251428, 256136, three each 203E, 391D and 250372
256131	17402	Pattern Wheel, 1-3/8 to 1-5/8 in., complete, Nos. 256130, 256173, two each 203E, 250372 and three 391D
256139	17405	Pattern Wheel, 1-3/8 to 1-5/8 in., complete, Nos. 256138, 256173, three each 203E, 391D and 250372

FOR MAKING EYELET END BUTTONHOLES,
WITH MEDIUM EYE (adjustable)

No.	Plate	Name
256125	17402	Pattern Wheel, 5/8 to 7/8 in., complete, Nos. 252292, 256124, two each 203E, 250372 and three 391D
256127	17402	Pattern Wheel, 7/8 to 1-1/8 in., complete, Nos. 251426, 256126, two each 203E, 250372 and three 391D
256129	17402	Pattern Wheel, 1-1/8 to 1-3/8 in., complete, Nos. 251428, 256128, two each 203E, 250372 and three 391D
256131	17402	Pattern Wheel, 1-3/8 to 1-5/8 in., complete, Nos. 256130, 256173, two each 203E, 250372 and three 391D

FOR MAKING STRAIGHT BUTTONHOLES
(adjustable)

256133	17405	Pattern Wheel, 5/8 to 7/8 in., complete, Nos. 252292, 256132, three each 203E, 391D and 250372
256135	17405	Pattern Wheel, 7/8 to 1-1/8 in., complete, Nos. 251426, 256134, three each 203E, 391D and 250372
256137	17405	Pattern Wheel, 1-1/8 to 1-3/8 in., complete, Nos. 251428, 256136, three each 203E, 391D and 250372
256139	17405	Pattern Wheel, 1-3/8 to 1-5/8 in., complete, Nos. 256138, 256173, three each 203E, 391D and 250372

FOR MAKING EYELET END BUTTONHOLES,
WITH MEDIUM EYE AND TAPER BAR

256141	17429	Pattern Wheel, 5/8 in., complete, bar adjustable from 1/8 to 3/8 in., Nos. 251425, 256140, two each 203E, 250372 and three 391D
256143	17429	Pattern Wheel, 3/4 in., complete, bar adjustable from 1/8 to 3/8 in., Nos. 251426, 256142, two each 203E, 250372 and three 391D
256145	17429	Pattern Wheel, 7/8 in., complete, bar adjustable from 1/8 to 3/8 in., Nos. 251427, 256144, two each 203E, 250372 and three 391D

No.	Plate	Name
256147	17429	Pattern Wheel, 1 in., complete, bar adjustable from 1/8 to 3/8 in., Nos. 251428, 256146, two each 203E, 250372 and three 391D
256149	17429	Pattern Wheel, 1-1/8 in., complete, bar adjustable from 1/8 to 3/8 in., Nos. 256148, 256174, two each 203E, 250372 and three 391D
256151	17429	Pattern Wheel, 1-1/4 in., complete, bar adjustable from 1/8 to 3/8 in., Nos. 256150, 256173, two each 203E, 250372 and three 391D
256153	17429	Pattern Wheel, 1-3/8 in., complete, bar adjustable from 1/8 to 1/4 in., Nos. 256152, 256173, two each 203E, 250372 and three 391D
256155	17429	Pattern Wheel, 1-1/2 in., complete, 1/8 in. adjustable bar, Nos. 256154, 256173, two each 203E, 250372 and three 391D

FOR MAKING EYELET END BUTTONHOLES,
WITH LARGE EYE AND TAPER BAR

256157	17430	Pattern Wheel, 1/8 in., complete, bar adjustable from 1/8 to 3/8 in., Nos. 250732, 251425, 256156, two 175E, three each 203E, 391D and 250372
256159	17430	Pattern Wheel, 3/4 in., complete, bar adjustable from 1/8 to 3/8 in., Nos. 251426, 253444, 256158, two 175E, three each 203E, 391D and 250372
256161	17430	Pattern Wheel, 7/8 in., complete, bar adjustable from 1/8 to 3/8 in., Nos. 251427, 253444, 256160, two 175E, three each 203E, 391D and 250372
256163	17430	Pattern Wheel, 1 in., complete, bar adjustable from 1/8 to 3/8 in., Nos. 251428, 253444, 256162, two 175E, three each 203E, 391D and 250372
256165	17430	Pattern Wheel, 1-1/8 in., complete, bar adjustable from 1/8 to 3/8 in., Nos. 253444, 256164, 256174, two 175E, three each 203E, 391D and 250372
256167	17430	Pattern Wheel, 1-1/4 in., complete, bar adjustable from 1/8 to 3/8 in., Nos. 253444, 256166, 256173, two 175E, three each 203E, 391D and 250372
256169	17430	Pattern Wheel, 1-3/8 in., complete, bar adjustable from 1/8 to 1/4 in., Nos. 253444, 256168, 256173, two 175E, three each 203E, 391D and 250372

PATTERN WHEELS

No.	Plate	Name
256171	17430	Pattern Wheel, 1-1/2 in. complete, 1/8 in. adjustable bar, Nos. 253444, 256170, 256173, two 175E, three each 203E, 391D and 250372
256124	17402	Pattern Wheel (adjustable), for buttonholes from 5/8 to 7/8 in. (large and medium eye) with 256205 and two 205D, for 256125
256132	17405	Pattern Wheel (adjustable), for buttonholes from 5/8 to 7/8 in. (large eye and straight), for 256133
256126	17402	Pattern Wheel (adjustable), for buttonholes from 7/8 to 1-1/8 (large and medium eye) with 256205 and two 205D, for 256127
256134	17405	Pattern Wheel (adjustable), for buttonholes from 7/8 to 1-1/8 in. (large eye and straight), for 256135
256128	17402	Pattern Wheel (adjustable), for buttonholes from 1-1/8 to 1-3/8 in. (large and medium eye) with 256205 and two 205D, for 256129
256136	17405	Pattern Wheel (adjustable), for buttonholes from 1-1/8 to 1-3/8 in. (large eye and straight), for 256137
256130	17402	Pattern Wheel (adjustable), for buttonholes from 1-3/8 to 1-5/8 in. (large and medium eye) with 256205 and two 205D, for 256131
256138	17405	Pattern Wheel (adjustable), for buttonholes from 1-3/8 to 1-5/8 in., (large eye and straight), for 256139
256140	17429	Pattern Wheel, for 5/8 in. Taper Bar (medium eye) Buttonhole, bar adjustable from 1/8 to 3/8 in., with 256205 and two 205D, for 256141
256142	17429	Pattern Wheel, for 3/4 in. Taper Bar (medium eye) Buttonhole, bar adjustable from 1/8 to 3/8 in., with 256205 and two 205D, for 256143
256144	17429	Pattern Wheel, for 7/8 in. Taper Bar (medium eye) Buttonhole, bar adjustable from 1/8 to 3/8 in., with 256205 and two 205D, for 256145
256146	17429	Pattern Wheel, for 1 in. Taper Bar (medium eye) Buttonhole, bar adjustable from 1/8 to 3/8 in., with 256205 and two 205D, for 256147
256148	17429	Pattern Wheel, for 1-1/8 in. Taper Bar (medium eye) Buttonhole, bar adjustable from 1/8 to 3/8 in., with 256205 and two 205D, for 256149
256150	17429	Pattern Wheel, for 1-1/4 in. Taper Bar (medium eye) Buttonhole, bar adjustable from 1/8 to 3/8 in., with 256205 and two 205D, for 256151

PATTERN WHEELS

No.	Plate	Name
256152	17429	Pattern Wheel, for 1-3/8 in. Taper Bar (medium eye) Buttonhole, bar adjustable from 1/8 to 1/4 in., with 256205 and two 205D, for 256153
256154	17429	Pattern Wheel, for 1-1/2 in. Taper Bar (medium eye) Buttonhole, 1/8 in. adjustable bar, with 256205 and two 205D, for 256155
256156	17430	Pattern Wheel, for 5/8 in. Taper Bar (large eye) Buttonhole, bar adjustable from 1/8 to 3/8 in., for 256157
256158	17430	Pattern Wheel, for 3/4 in. Taper Bar (large eye) Buttonhole, bar adjustable from 1/8 to 3/8 in., for 256159
256160	17430	Pattern Wheel, for 7/8 in. Taper Bar (large eye) Buttonhole, bar adjustable from 1/8 to 3/8 in., for 256161
256162	17430	Pattern Wheel, for 1 in. Taper Bar (large eye) Buttonhole, bar adjustable from 1/8 to 3/8 in., for 256163
256164	17430	Pattern Wheel, for 1-1/8 in. Taper Bar (large eye) Buttonhole, bar adjustable from 1/8 to 3/8 in., for 256165
256166	17430	Pattern Wheel, for 1-1/4 in. Taper Bar (large eye) Buttonhole, bar adjustable from 1/8 to 3/8 in., for 256167
256168	17430	Pattern Wheel, for 1-3/8 in. Taper Bar (large eye) Buttonhole, bar adjustable from 1/8 to 1/4 in., for 256169
256170	17430	Pattern Wheel, for 1-1/2 in. Taper Bar (large eye) Buttonhole, 1/8 in. adjustable bar, for 256171
253444	17430	Pattern Wheel Cam Block, for 256159, 256161, 256163, 256165, 256167, 256169 and 256171
250732	17430	Pattern Wheel Cam Block, for 256157
175E	17430	" " " " Screw
256205	17402	" " Position Plate
205D	17402	" " " " Screw
250372	17402	" " Rapid Feed Trip Point
203E	17402	" " " " " " Screw
252258	17402	" " Ring, for 252292
252292	17402	" " " 252258 with 252275, 252276, two each 211E and 250444, for 256125 and 256133
251494	17402	Pattern Wheel Ring;
251426	17402	" " " 251494 with 252662, 252663, two each 211E and 250444, for 256127, 256135, 256143 and 256159
251496	17402	Pattern Wheel Ring, for 251428
251428	17402	" " " 251496 with 252662, 252663, two each 211E and 250444, for 256129, 256137, 256147 and 256163
252265	17402	Pattern Wheel Ring, for 256173

PATTERN WHEELS

No.	Plate	Name
256173	17402	Pattern Wheel Ring 252265 with 252662, 252663, two each 211E and 250444, for 256131, 256139, 256151, 256153, 256155, 256167, 256169 and 256171
251493	17429	Pattern Wheel Ring, for 251425
251425	17429	" " " 251493 with 252662, 252663, two each 211E and 250444, for 256141 and 256157
251495	17429	Pattern Wheel Ring, for 251427
251427	17429	" " " 251495 with 252662, 252663, two each 211E and 250444, for 256145 and 256161
252264	17429	Pattern Wheel Ring, for 256174
256174	17429	" " " 252264 with 252662, 252663, two each 211E and 250444, for 256149 and 256165
252662	17402	Pattern Wheel Ring Adjusting Segment (curved rise)
252275	17402	Pattern Wheel Ring Adjusting Segment (curved rise)
252663	17402	Pattern Wheel Ring Adjusting Segment (straight drop)
252276	17402	Pattern Wheel Ring Adjusting Segment (straight drop)
211E	17402	Pattern Wheel Ring Adjusting Segment Screw
250444	17402	Pattern Wheel Ring Adjusting Segment Screw Washer
391D	17402	Pattern Wheel Ring Screw

SHAFT PULLEYS

27271	-----	Shaft Pulley (sectional, grooved), 4 in. diam., 1-3/16 in. bore, with two 597C
232920	-----	Shaft Pulley (sectional, grooved), 4-1/2 in. diam., 1-3/16 in. bore, with two 597C
27065	-----	Shaft Pulley (sectional, grooved), 5 in. diam., 1-3/16 in. bore, with two 597C
232879	-----	Shaft Pulley (sectional, grooved), 5-1/2 in. diam., 1-3/16 in. bore, with two 597C
27066	-----	Shaft Pulley (sectional, grooved), 6 in. diam., 1-3/16 in. bore, with two 597C
232880	-----	Shaft Pulley (sectional, grooved), 6-1/2 in. diam., 1-3/16 in. bore, with two 597C
27067	-----	Shaft Pulley (sectional, grooved), 7 in. diam., 1-3/16 in. bore, with two 597C
232881	-----	Shaft Pulley (sectional, grooved), 7-1/2 in. diam., 1-3/16 in. bore, with two 597C

SHAFT PULLEYS

No.	Plate	Name
150611	16388	Shaft Pulley (sectional, grooved) pressed steel, flat type, rolled edge, 8 in. diam., 1-3/16 in. bore, with two 731N
731N	16388	Shaft Pulley Clamping Screw
232882	-----	Shaft Pulley (sectional, grooved), 8-1/2 in. diam., 1-3/16 in. bore, with two 597C
150614	16388	Shaft Pulley (sectional, grooved) pressed steel, flat type, rolled edge, 9 in. diam., 1-3/16 in. bore, with two 731N
597C	-----	Shaft Pulley Clamping Screw
232883	-----	Shaft Pulley (sectional, grooved), 9-1/2 in. diam., 1-3/16 in. bore, with two 597C
27070	-----	Shaft Pulley (sectional, grooved), 10 in. diam., 1-3/16 in. bore, with two 597C
27072	-----	Shaft Pulley (sectional, grooved), 12 in. diam., 1-3/16 in. bore, with two 597C
27074	-----	Shaft Pulley (sectional, grooved), 14 in. diam., 1-3/16 in. bore, with two 597C
27075	-----	Shaft Pulley (sectional, grooved), 15 in. diam., 1-3/16 in. bore, with two 597C

SINGER KNIFE TRUING FIXTURE

232870	16401	Base with 448AL
232871	16401	" 232870 with 59D, 232872 and 232876
232872	16401	Knife Clamping Lever
59D	16401	" " " Hinge Screw
232873	16401	Oil Stone
232874	16401	" " Bracket with three 448AL
232875	16401	" " " 232874 with 232873 and 232877
232876	16401	Oil Stone Bracket Shaft
448AL	16401	" " " " Set Screw
448AL	16401	" " " " Set Screw
232877	16401	" " " " Friction Gib
232878	16401	Singer Knife Truing Fixture complete, Nos. 232871 and 232875

THREAD LUBRICATING CUP

No.	Plate	Name
250518	16431	Thread Lubricating Cup with 171E, 250519 and 250520
250519	16431	Thread Lubricating Cup Oil Pad
171E	16431	" " " Pinch Screw
250520	16431	" " " Thread Guide

SINGER Needles should be used in SINGER Machines. These Needles and their Containers are marked with the Company's Trade Mark "SIMANCO.**" 1

Needles in Containers marked "FOR SINGER MACHINES" are NOT SINGER made needles. 2

16348 - 1/4

250105

232709 200100E 202260 232488 232002 232003 1500

222598 200394C 200392C 40025 232490 232459 4534L-202260 200341C 200340E 204235 250002 2001100

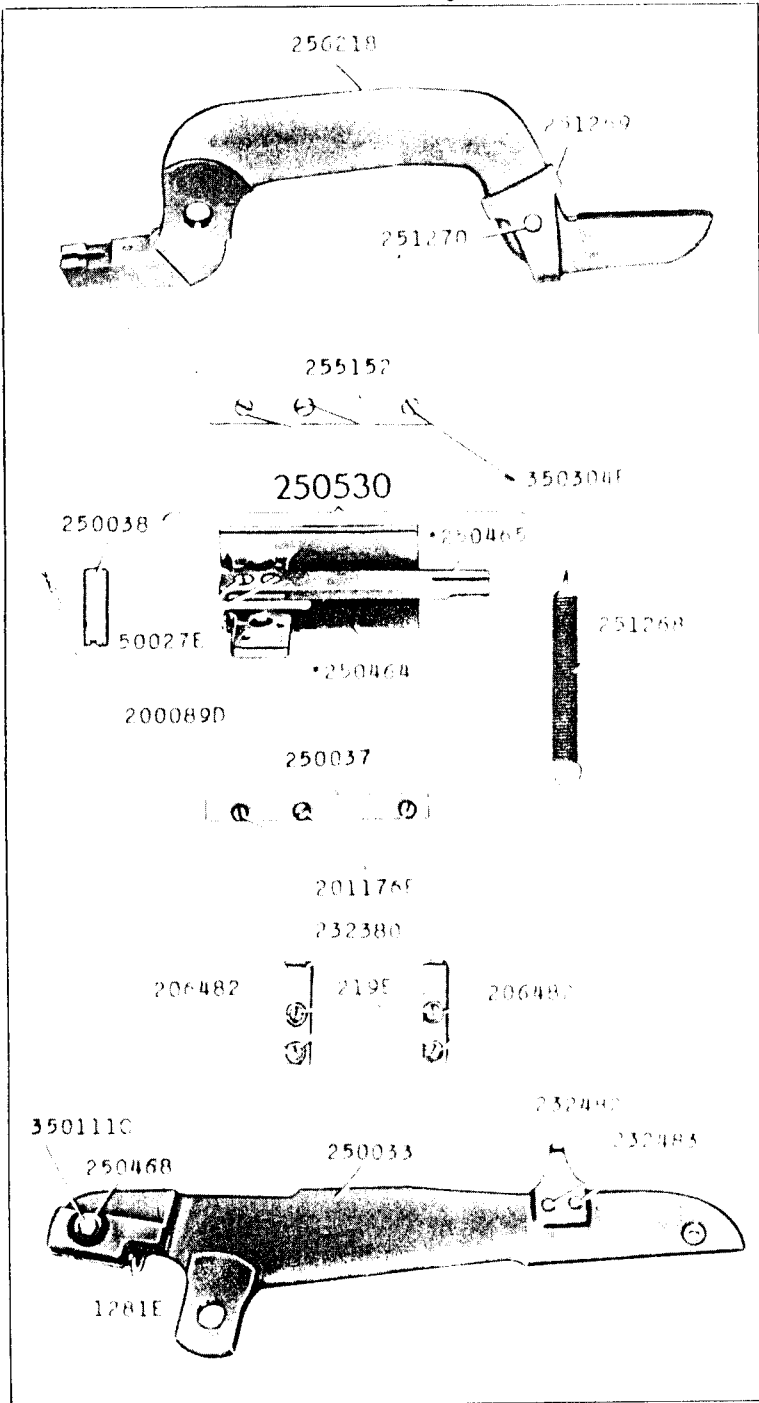
250106 232178 232520

39530 16710 2500760 255125 3502820 7410

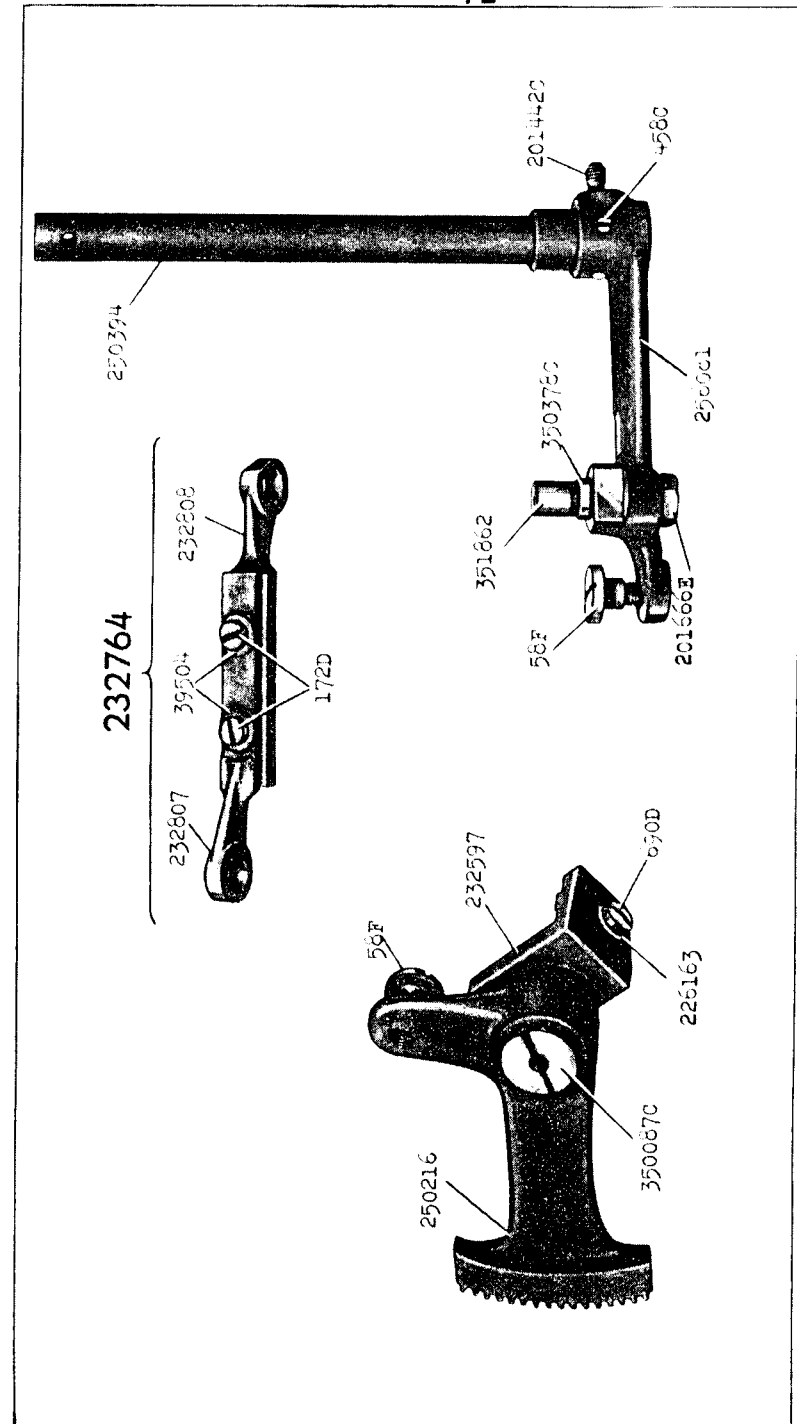
7071 256199 2000760 38446 500160 175E 175E 16980 1636E

250140 250143 250142 2014490 16970

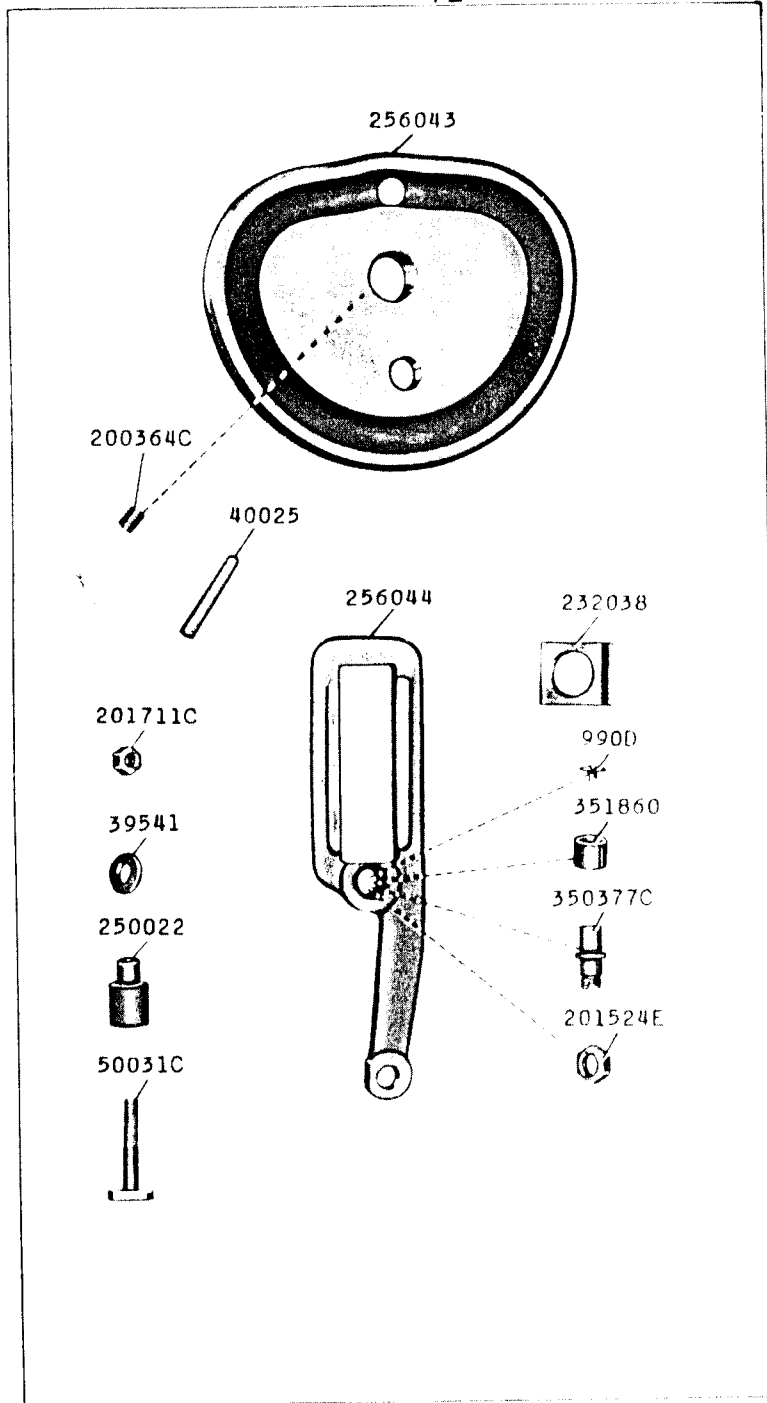
16351 - 1/3



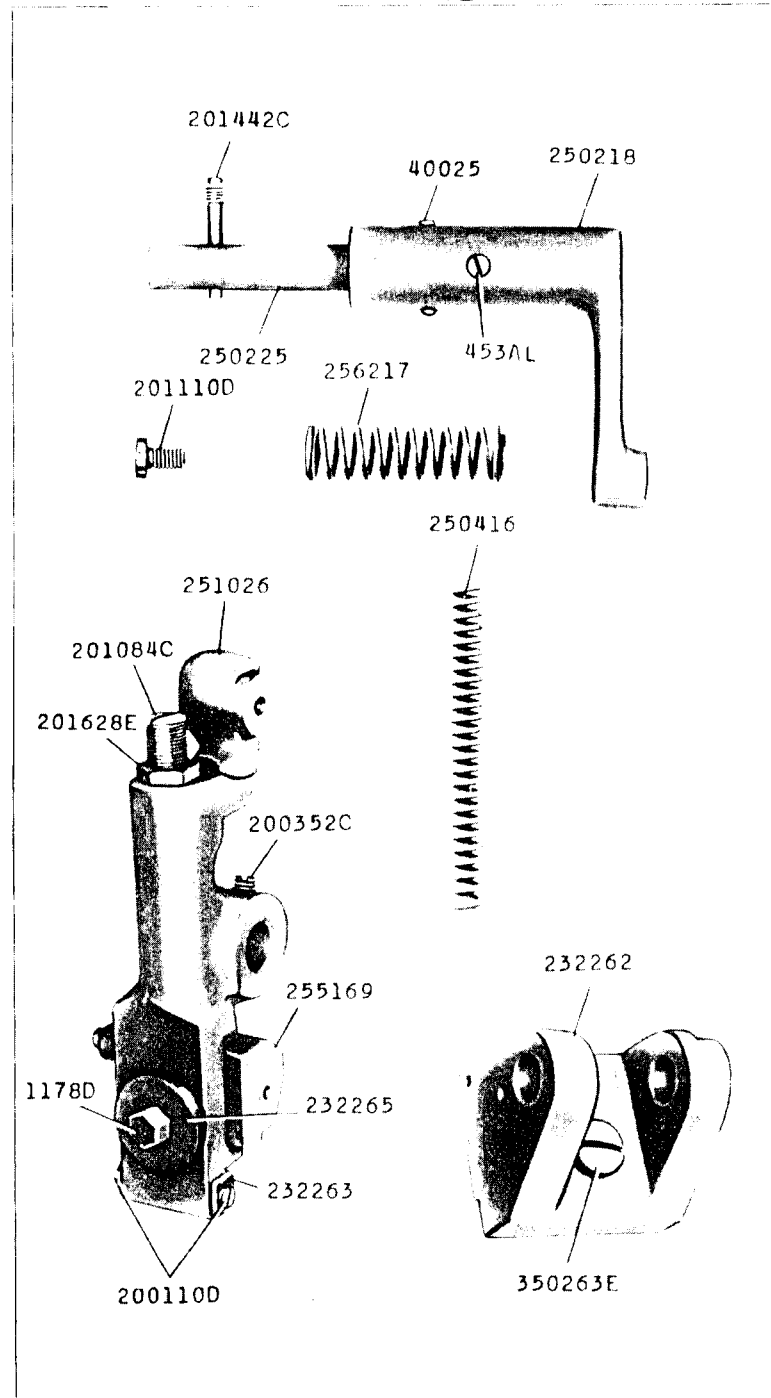
16355 - 1/2



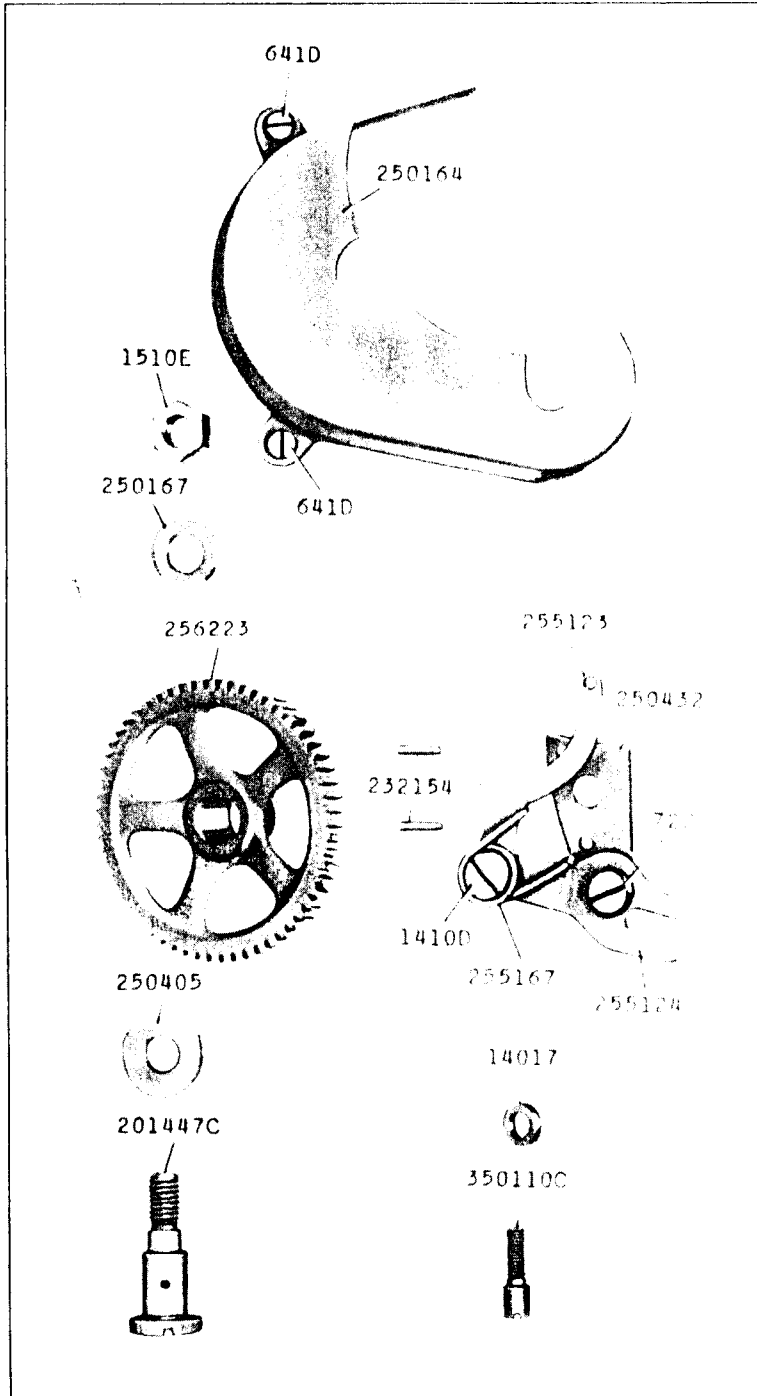
16356 - 1/2



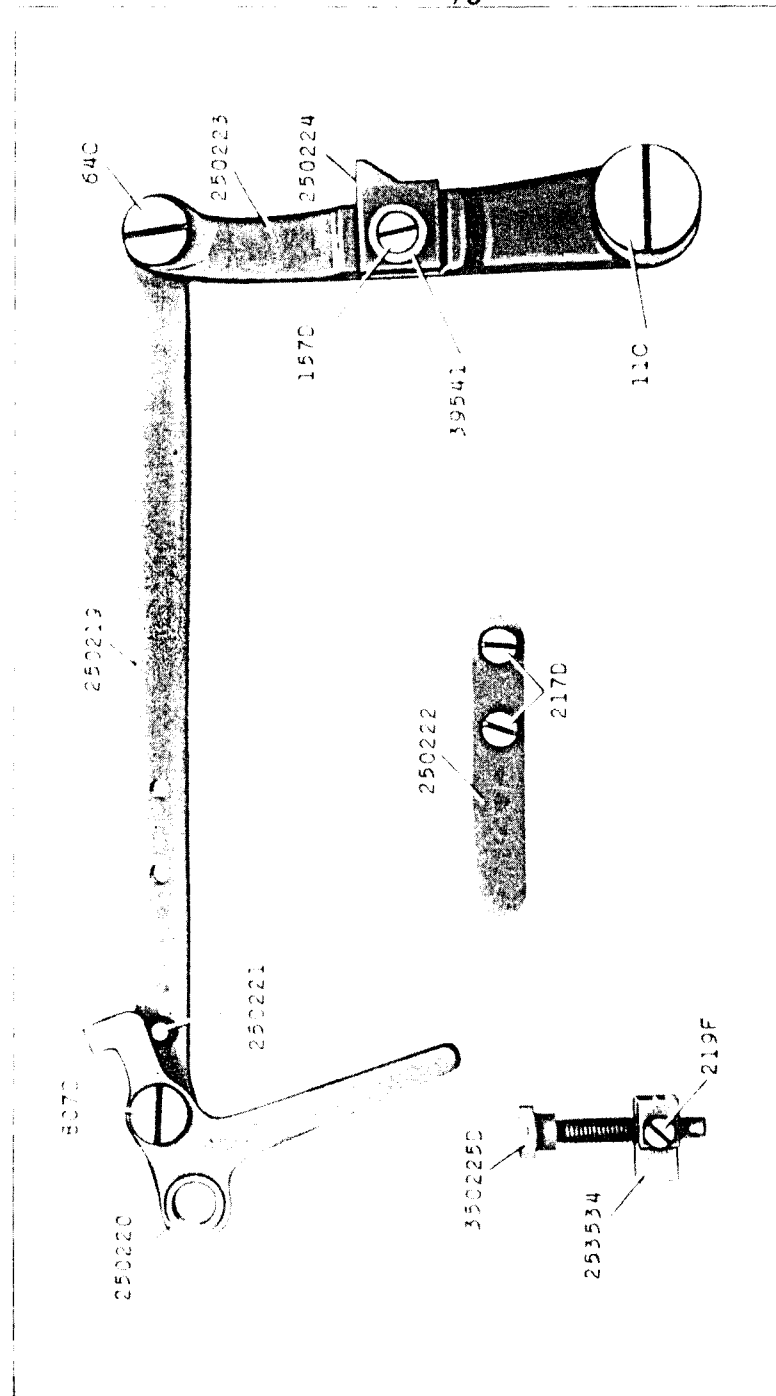
16363 - 1/2



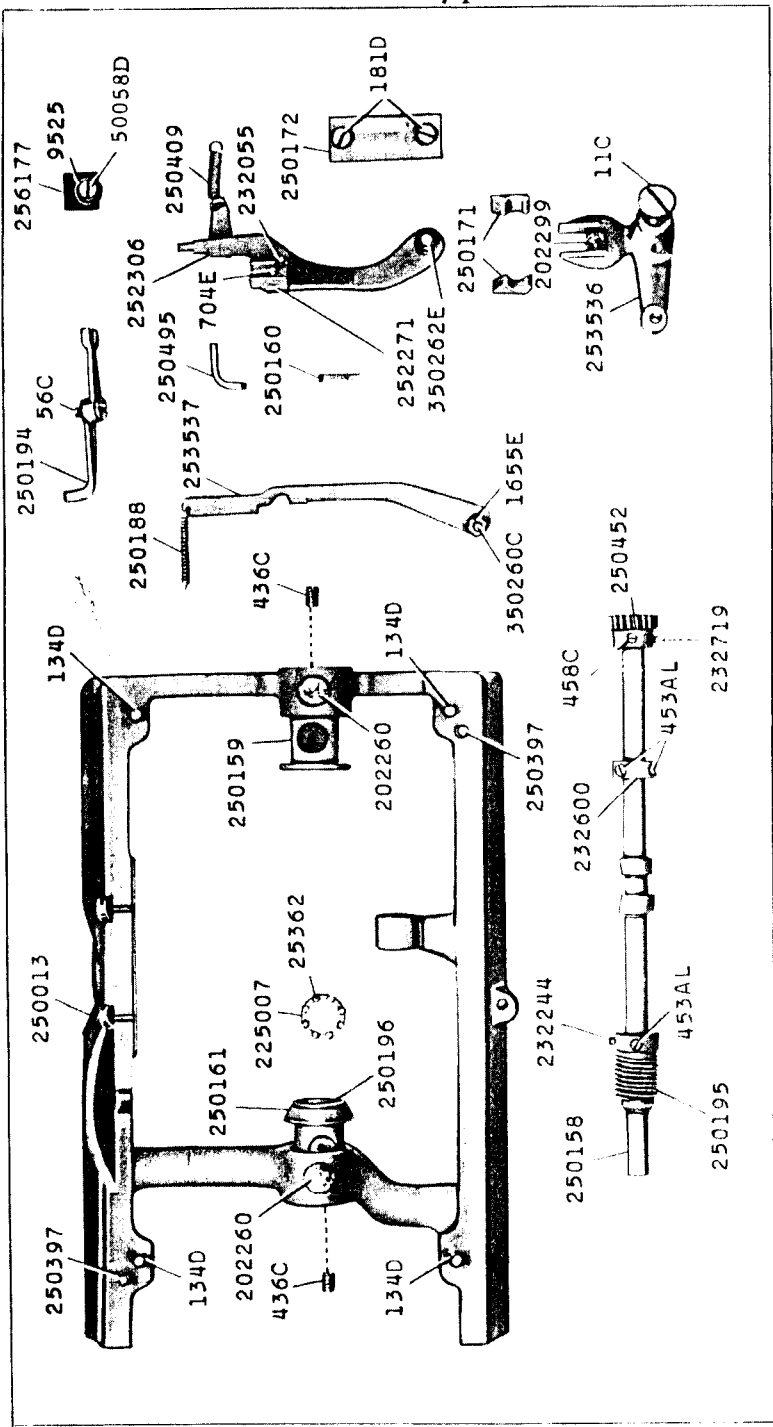
16364 - 1/2



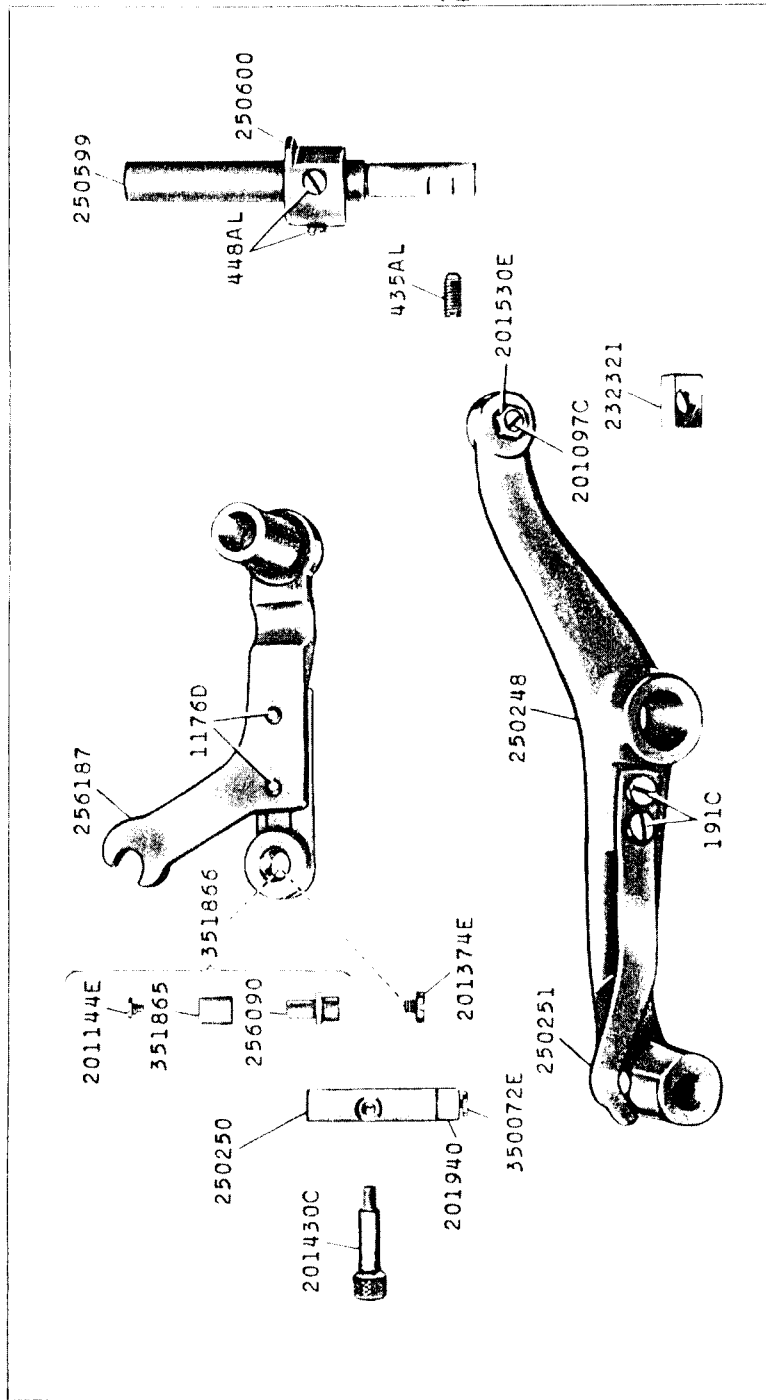
16365 - 2/3



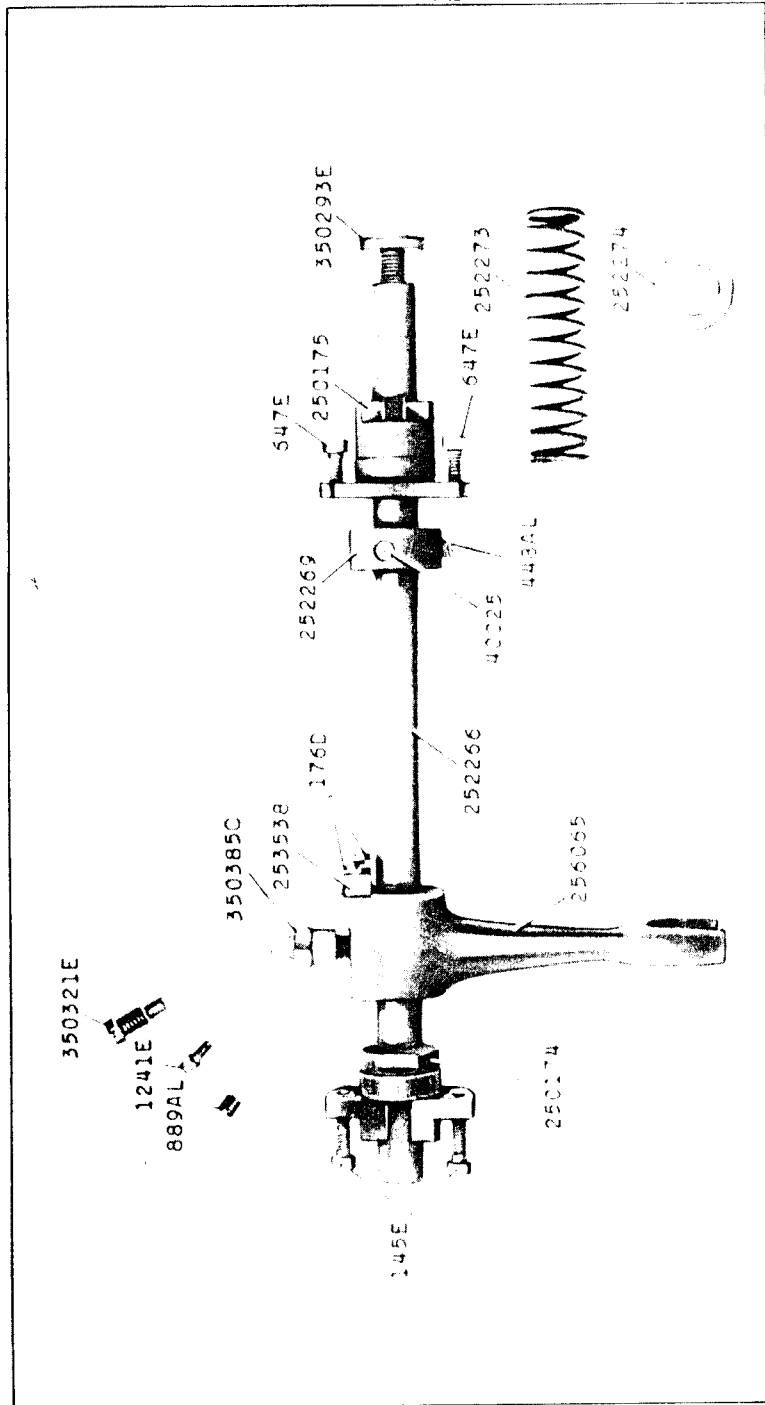
16367 - 1/4



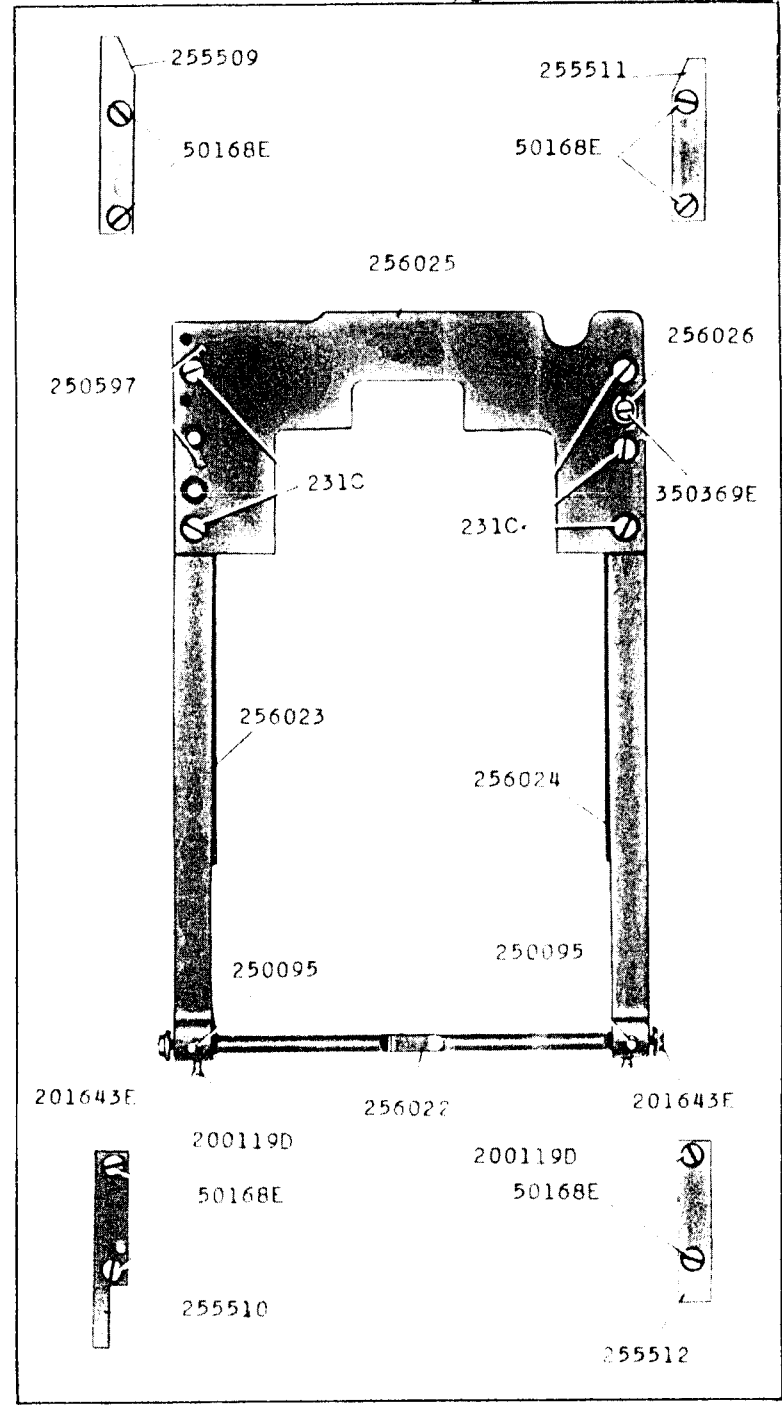
16371 - 1/2



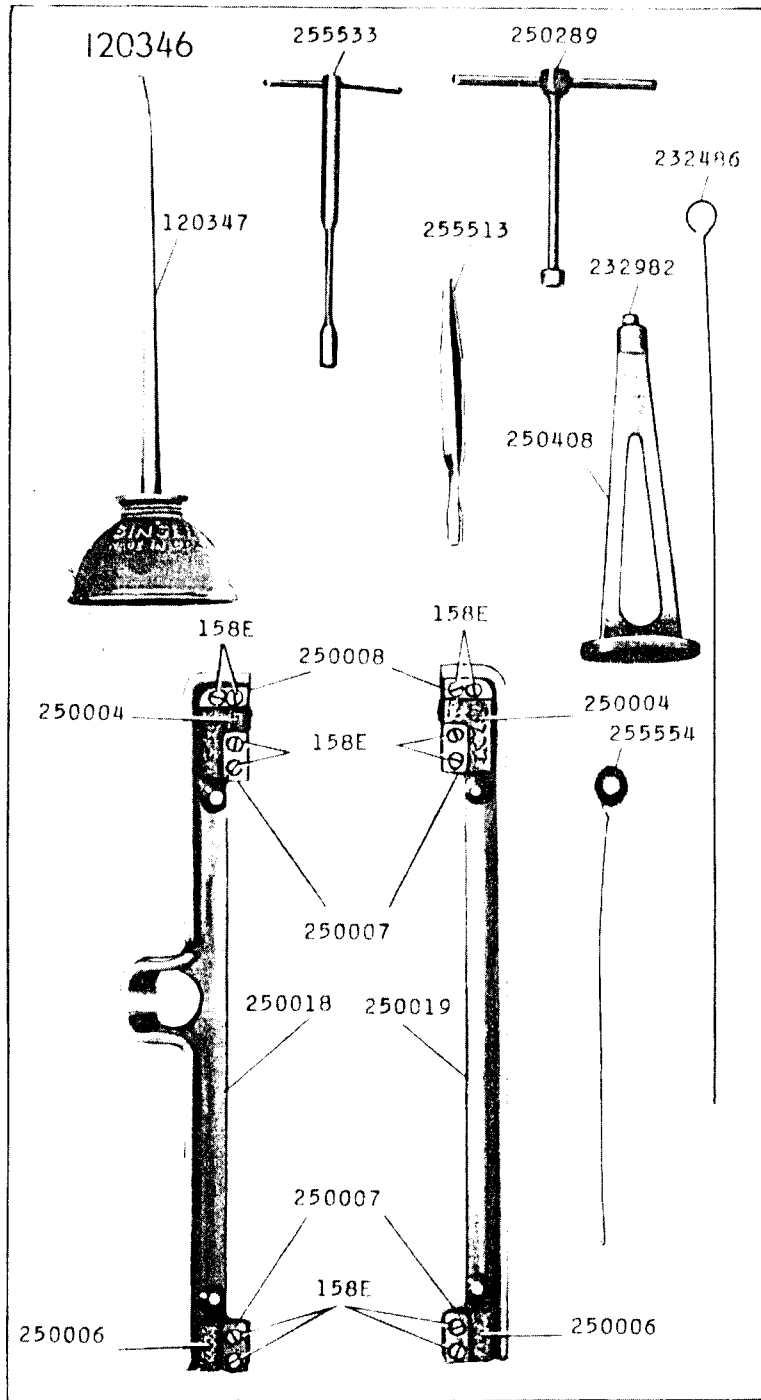
16372 - 1/2



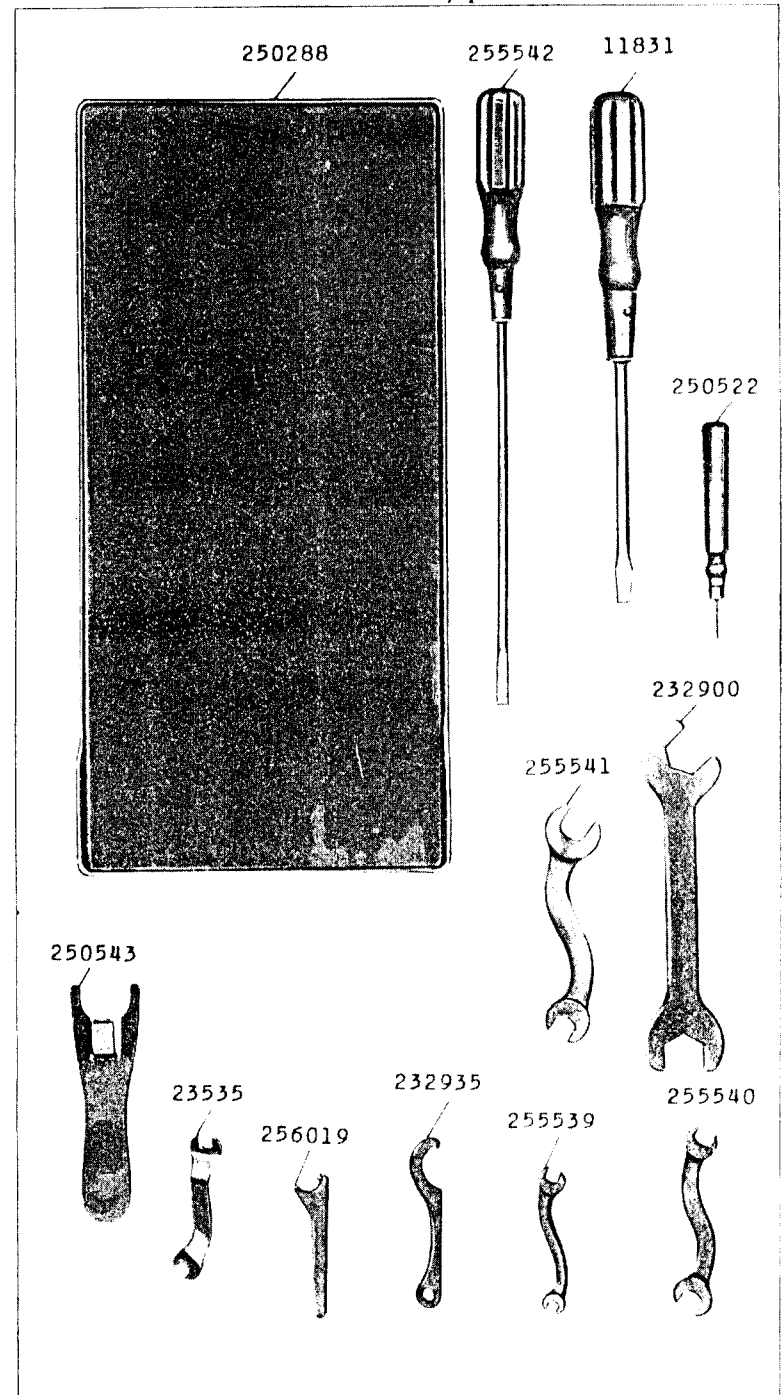
16379 - 3/8



16382 - 1/4

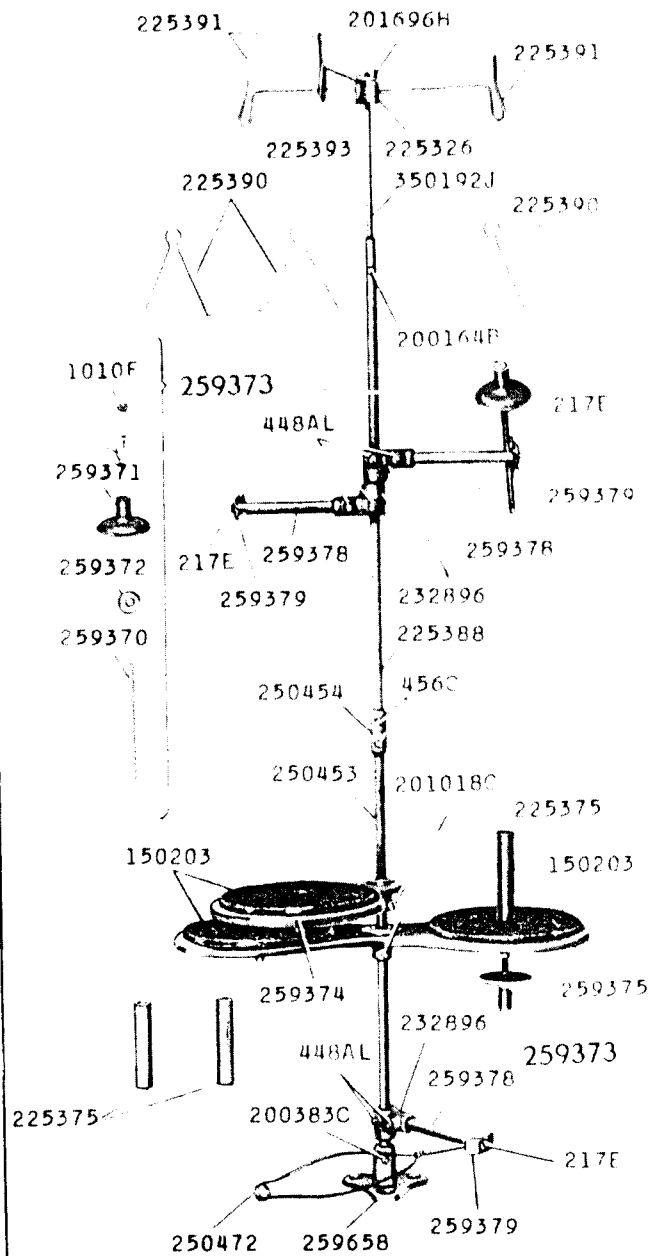


16383 - 1/4



16385 - 1/6

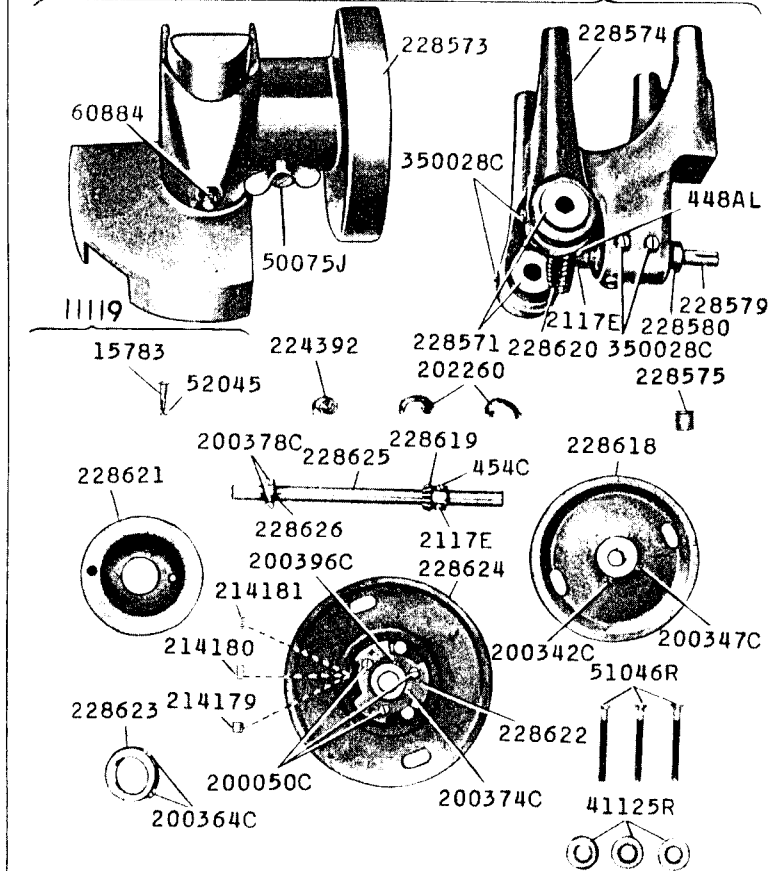
225376



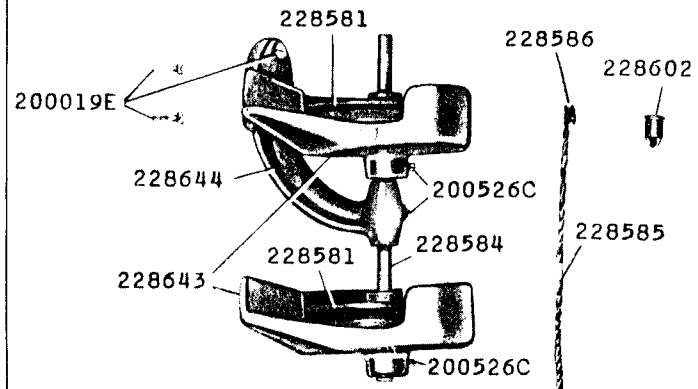
16386 - 1/6

228578

228627

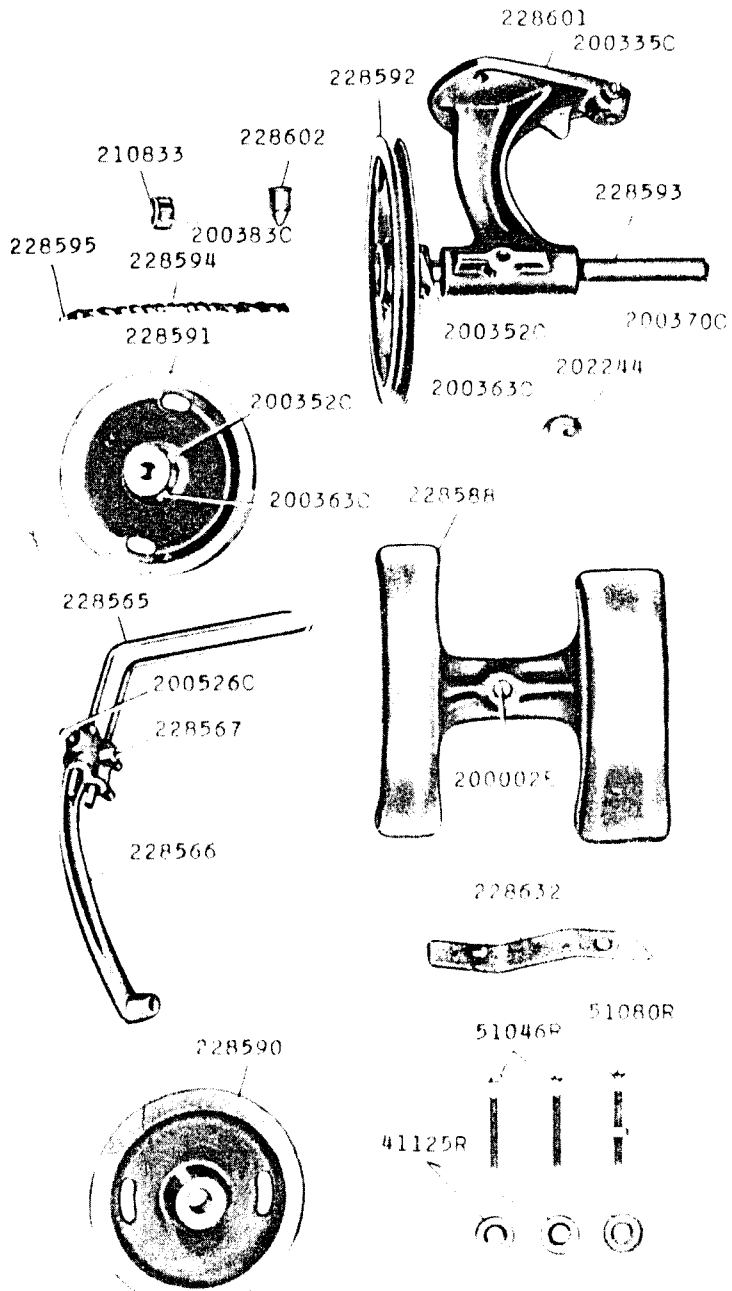


228587



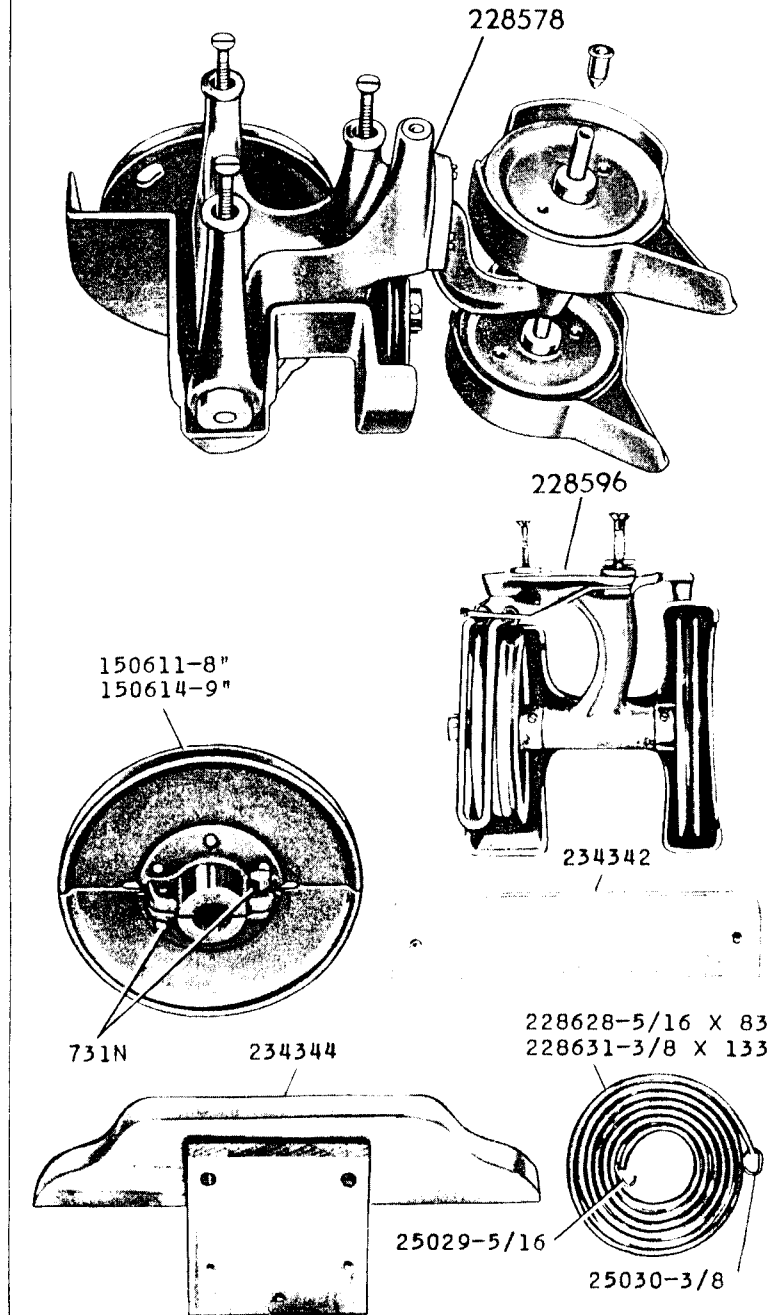
16387 - 1/5

228596



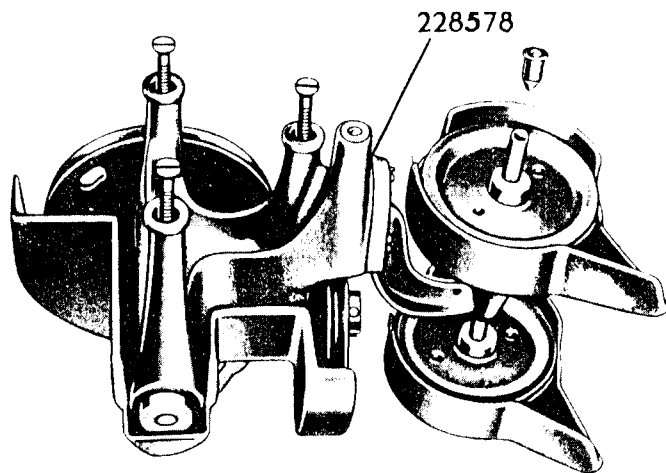
16388 - 1/6

228599



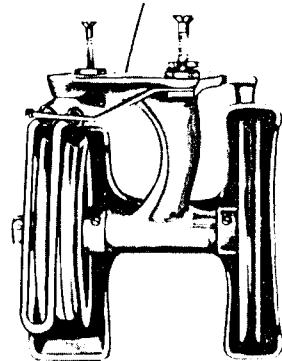
16389 - 1/6

228609

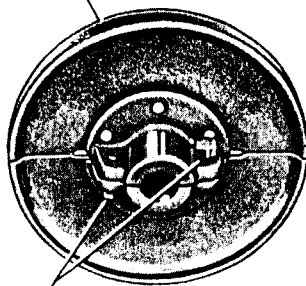


228578

228596



150611-8"
150614-9"



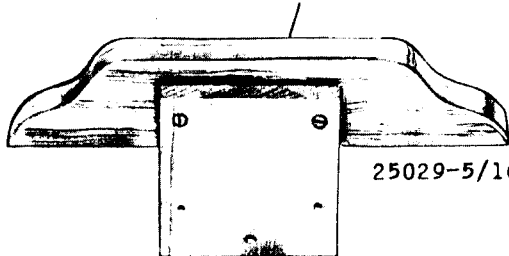
731N

228608

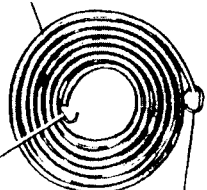


228628-5/16 X 83
228631-3/8 X 133

234344



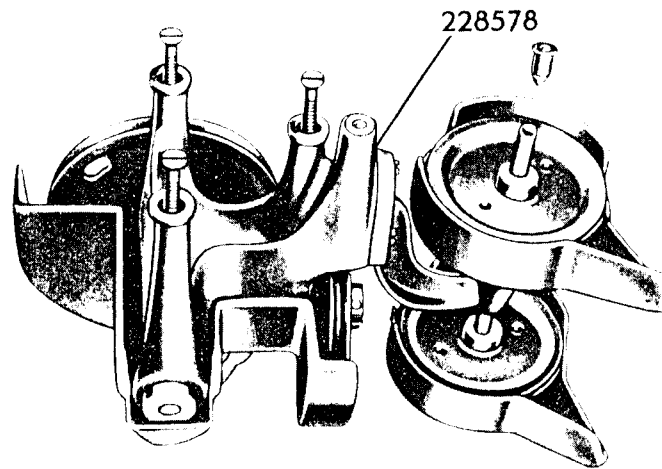
25029-5/16



25030-3/8

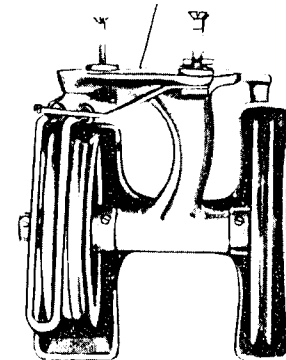
16390 - 1/6

228611

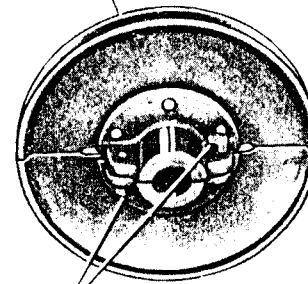


228578

228596



150611-8"
150614-9"



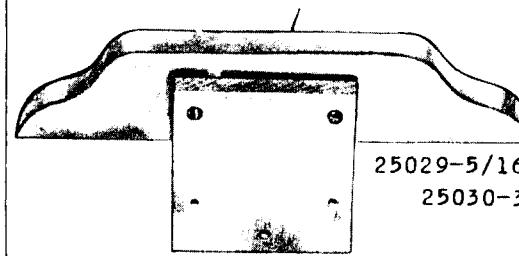
731N

228610

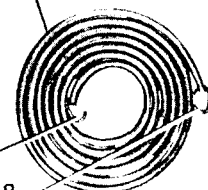


228628-5/16 X 83
228631-3/8 X 133

234344



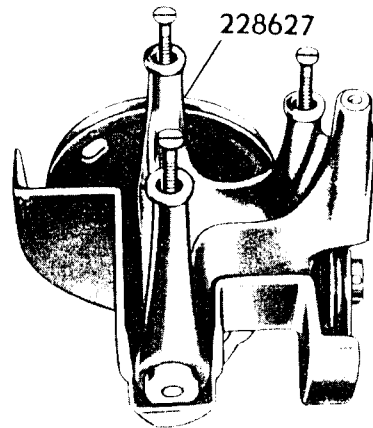
25029-5/16



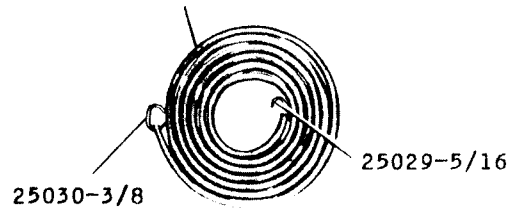
25030-3/8

16391 - 1/6

228605

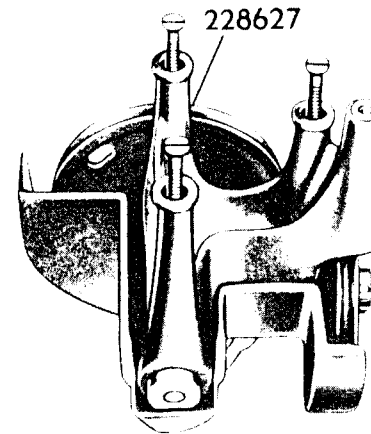


228628-5/16 X 83
228629-3/8 X 57

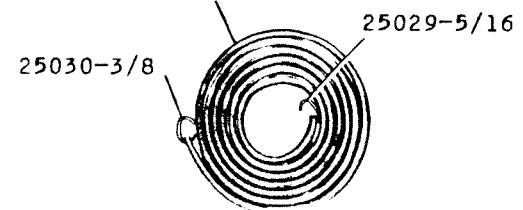


16392 - 1/6

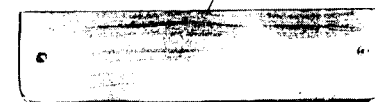
228612



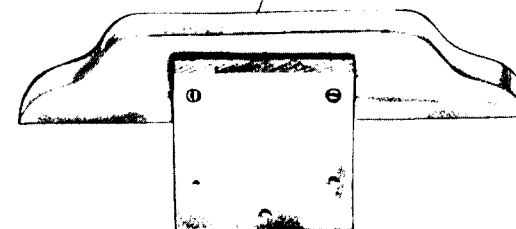
228628-5/16 X 83
228629-3/8 X 57



234342

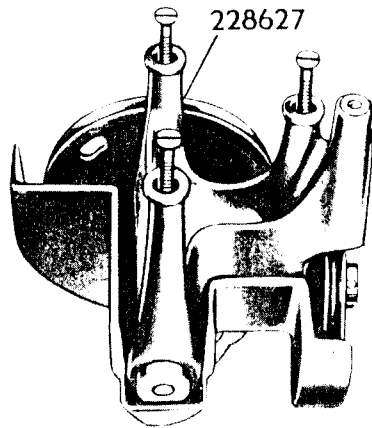


234344



16393 - 1/6

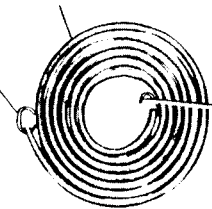
228613



228628-5/16 X 83

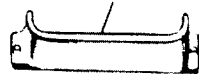
228629-3/8 X 57

25030-3/8

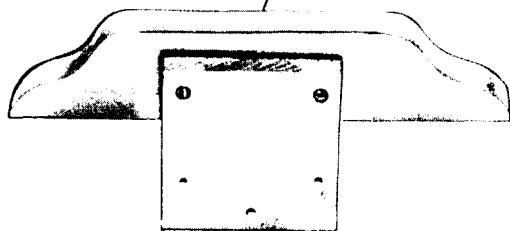


25029-5/16

228610



234344



16394 - 1/4

126890

126888

217F

150027

126870

150184

150028

126750

126752

27638

23250

1448AL

217F

126869

126888

126750

126868

126955

150183

126750

126752

1448AL

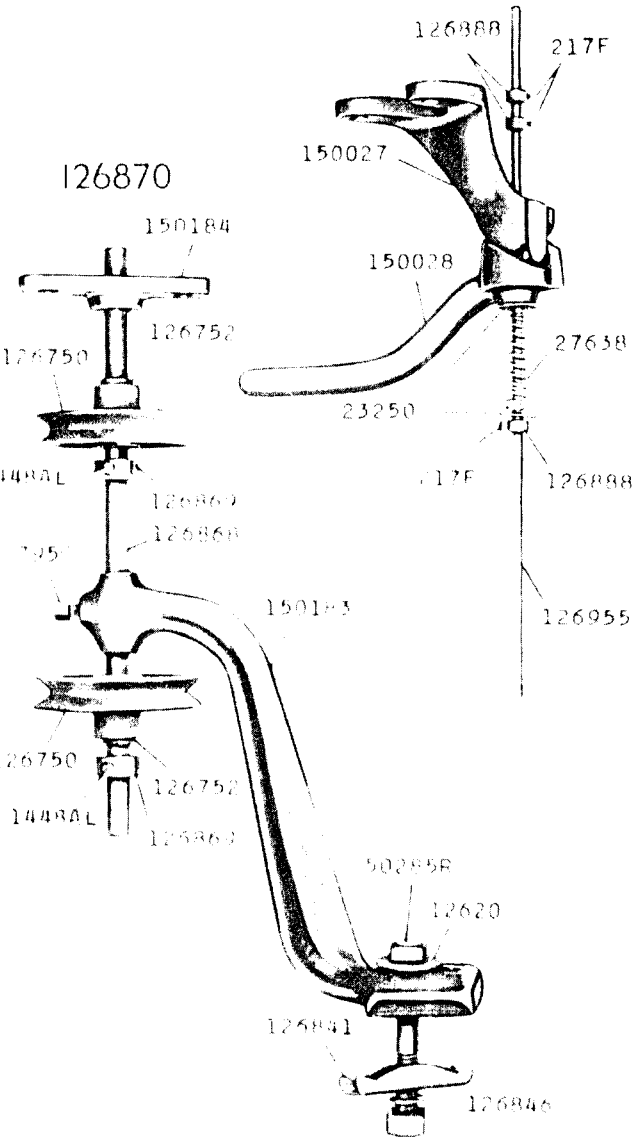
126869

502858

12620

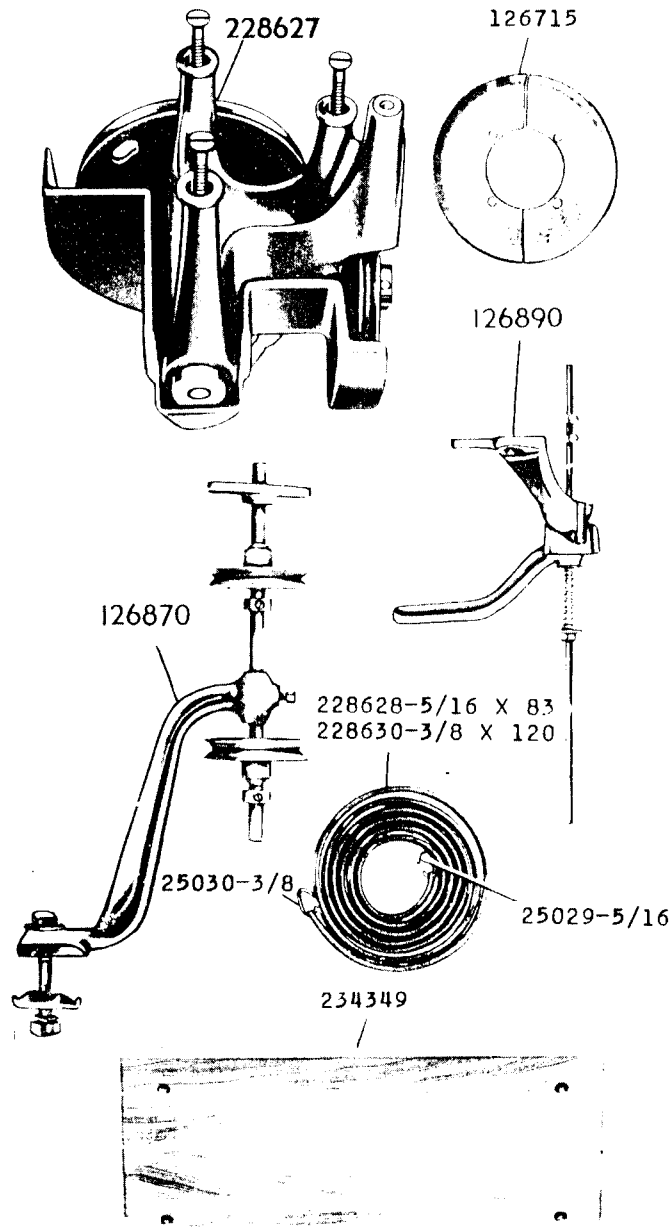
126841

126846



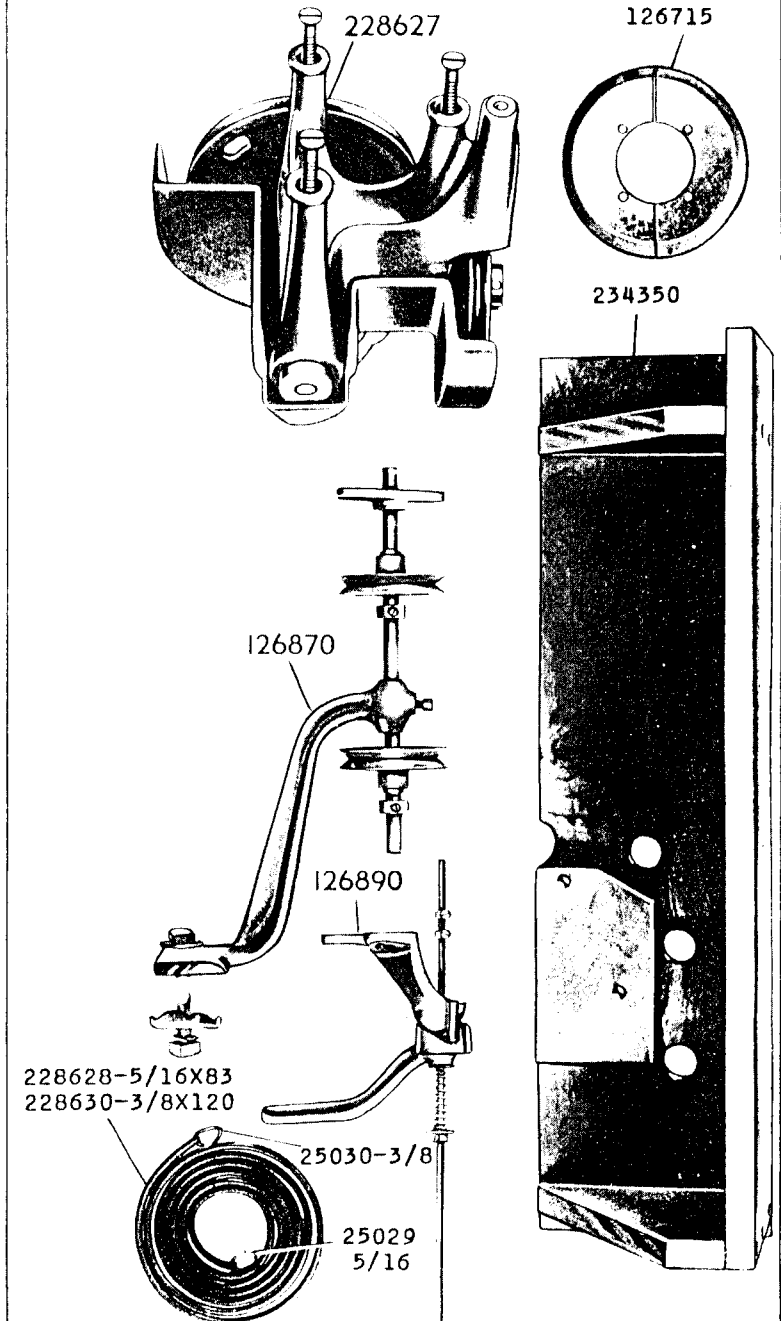
16395 - 1/6

228645



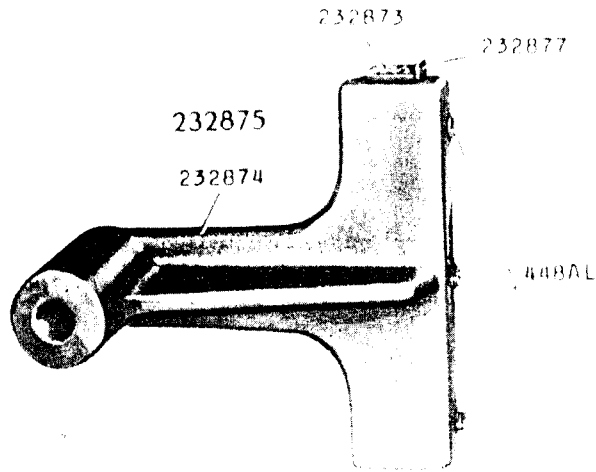
16396 - 1/6

228646

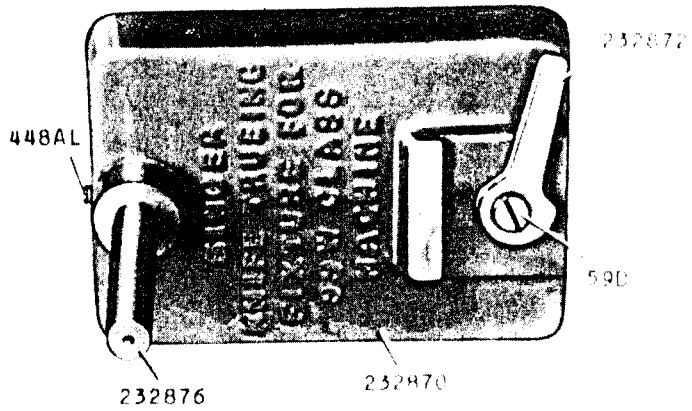


16401 - 1/2

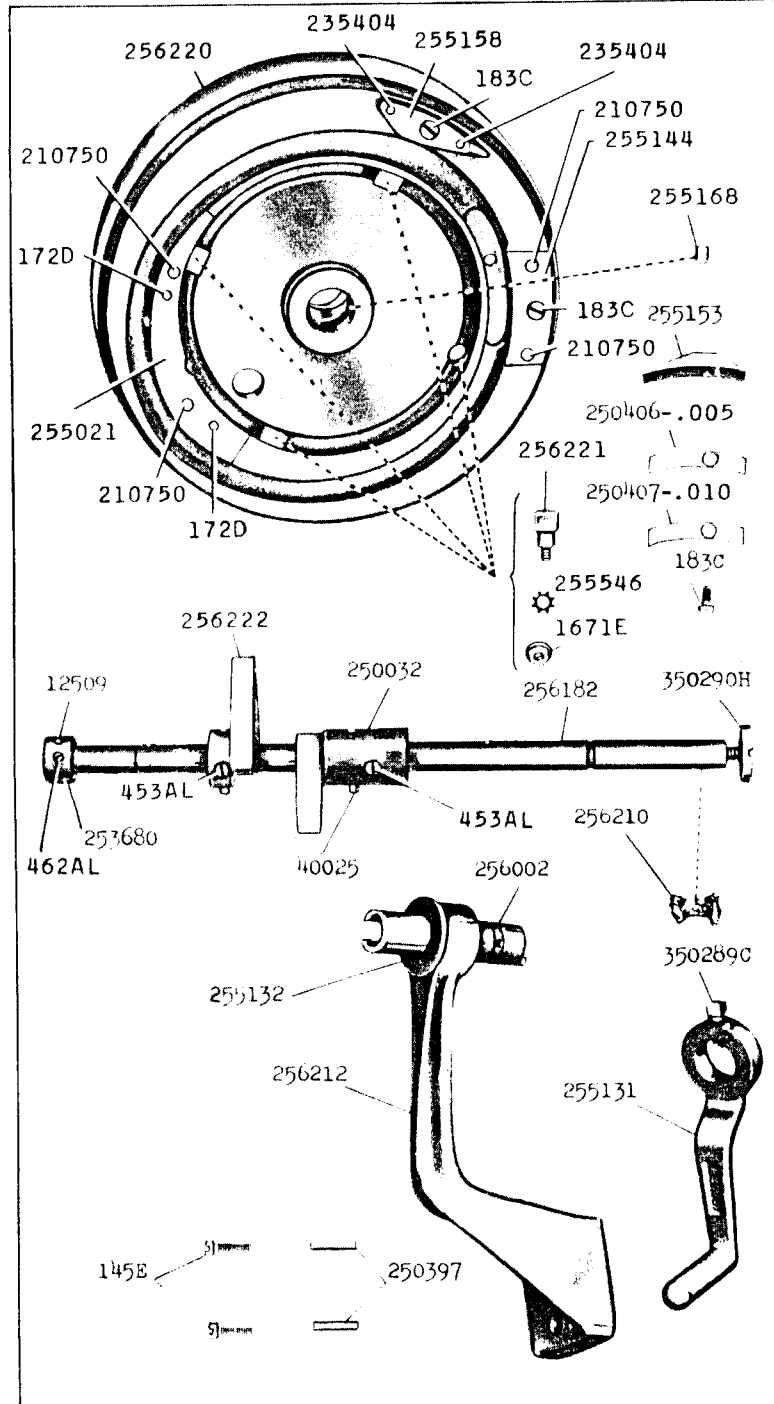
232878



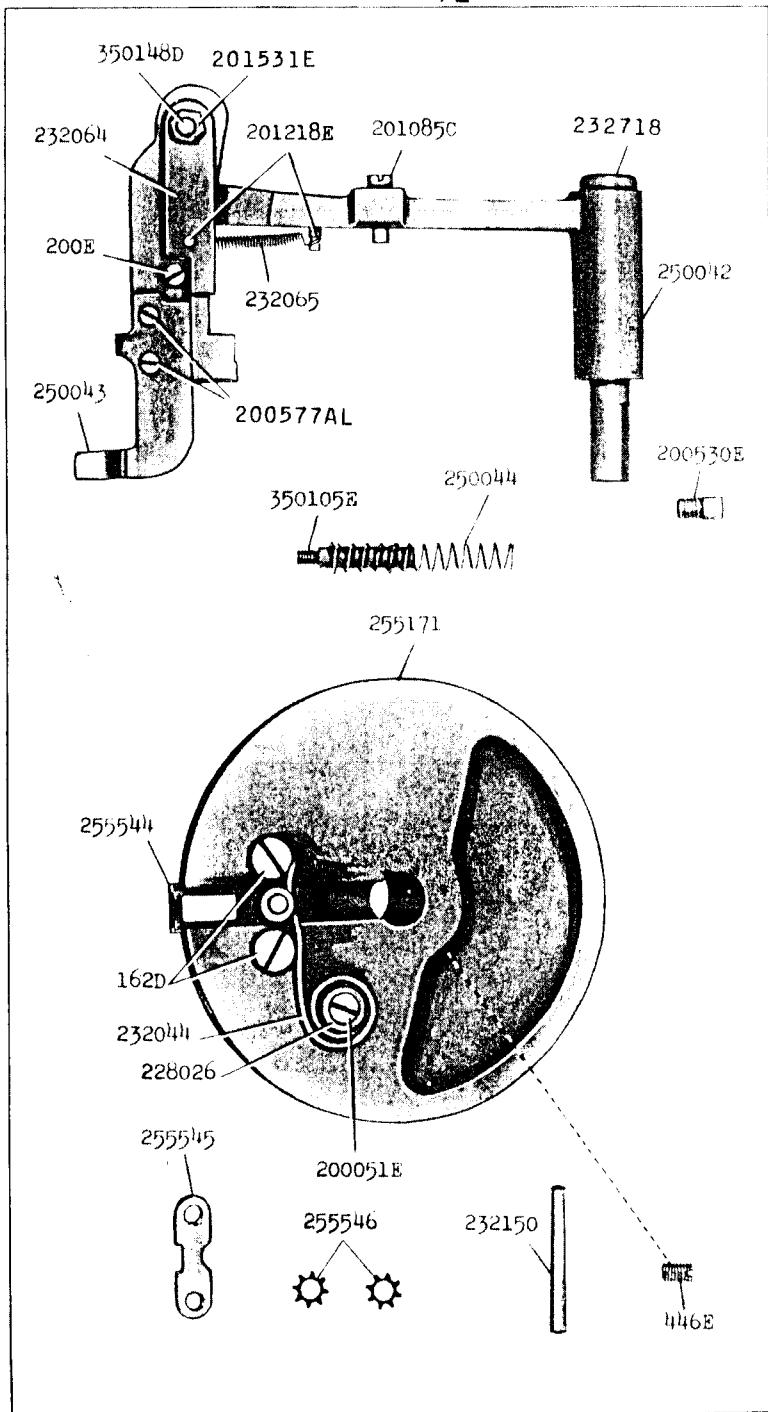
232871



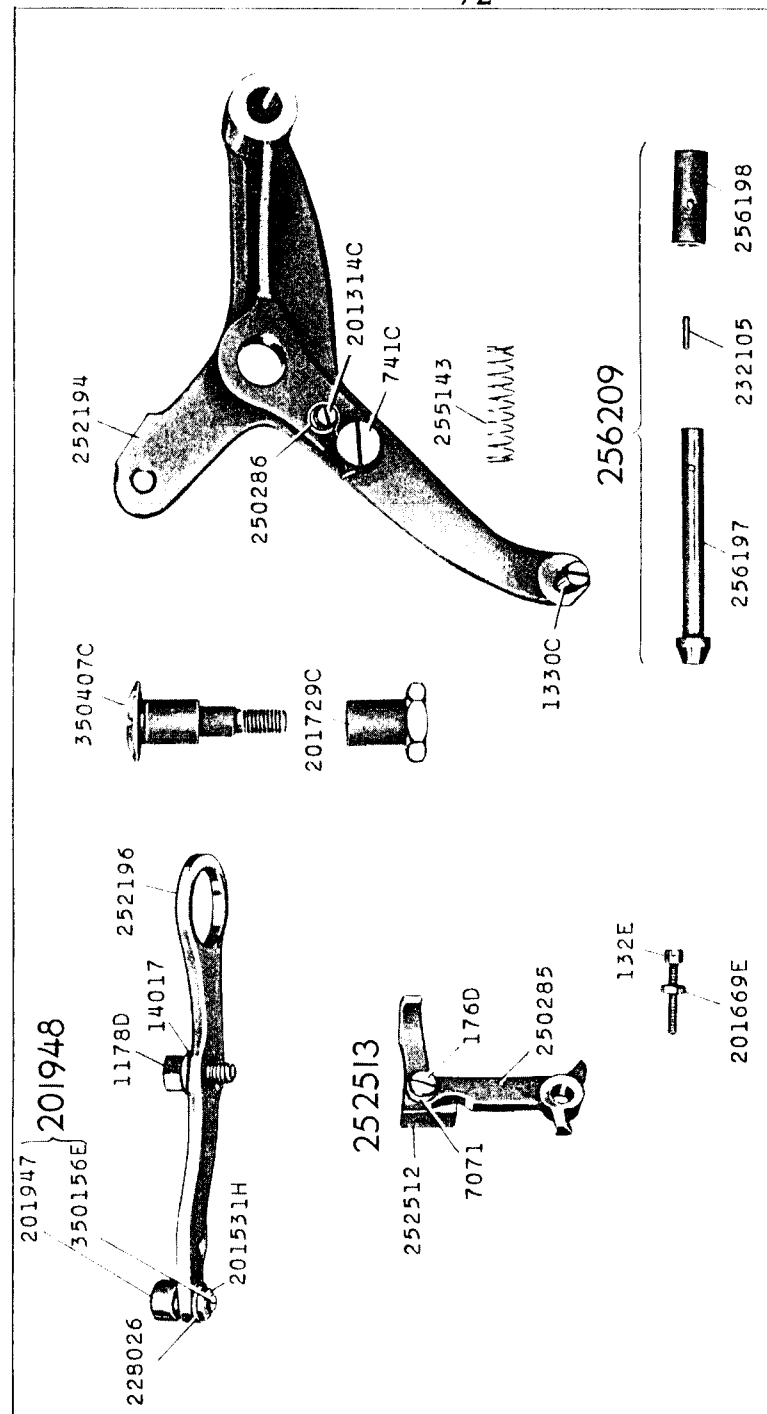
16405 - 1/3



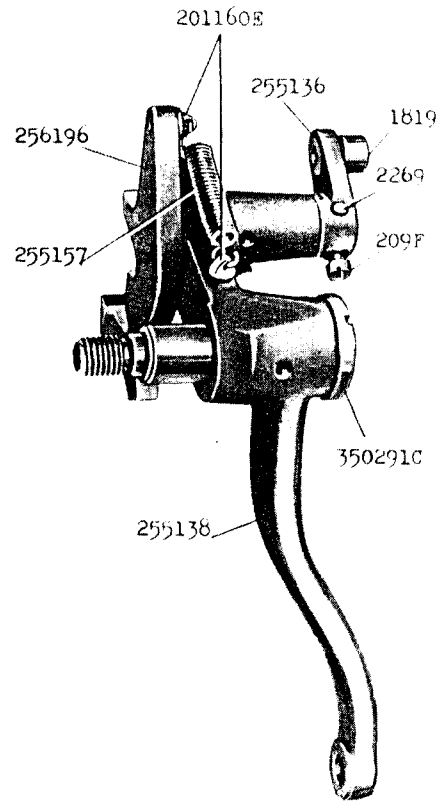
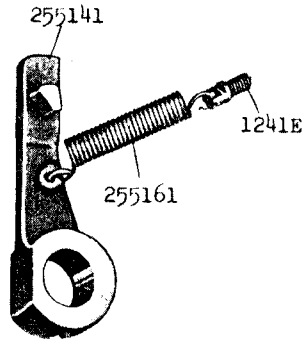
16406 - 1/2



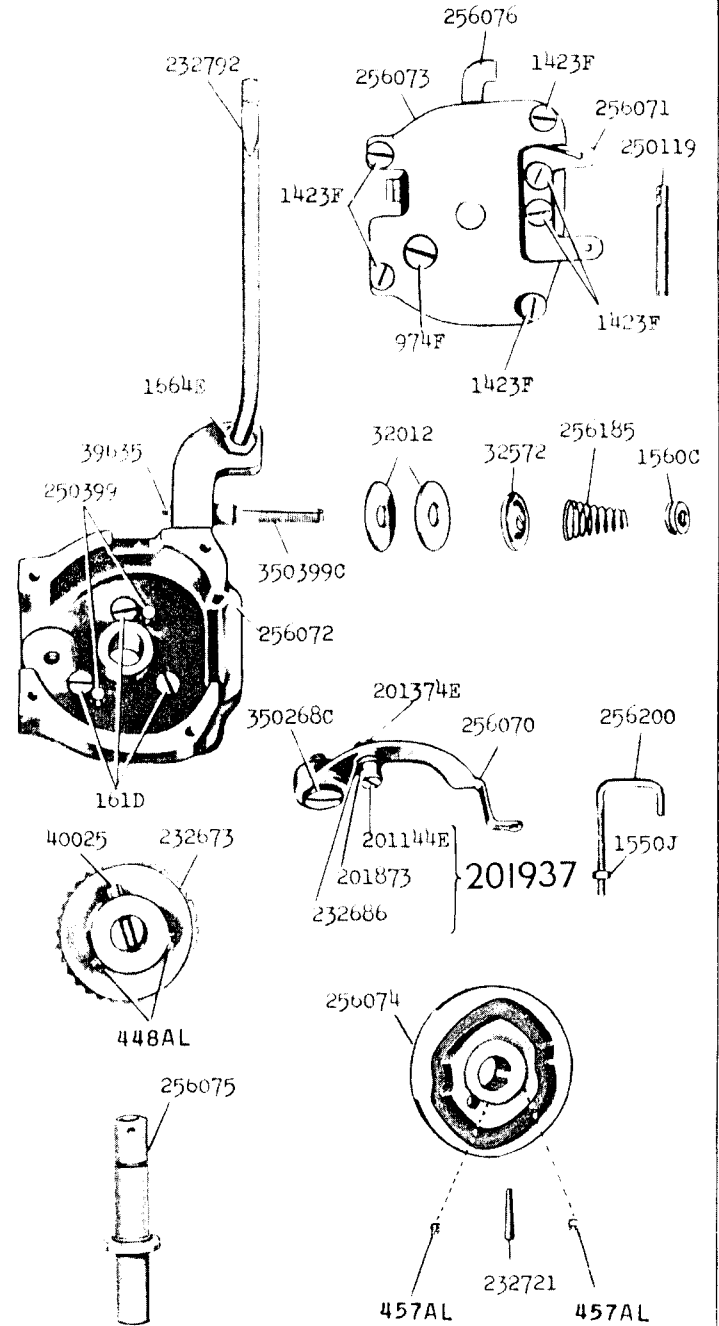
16407 - 1/2



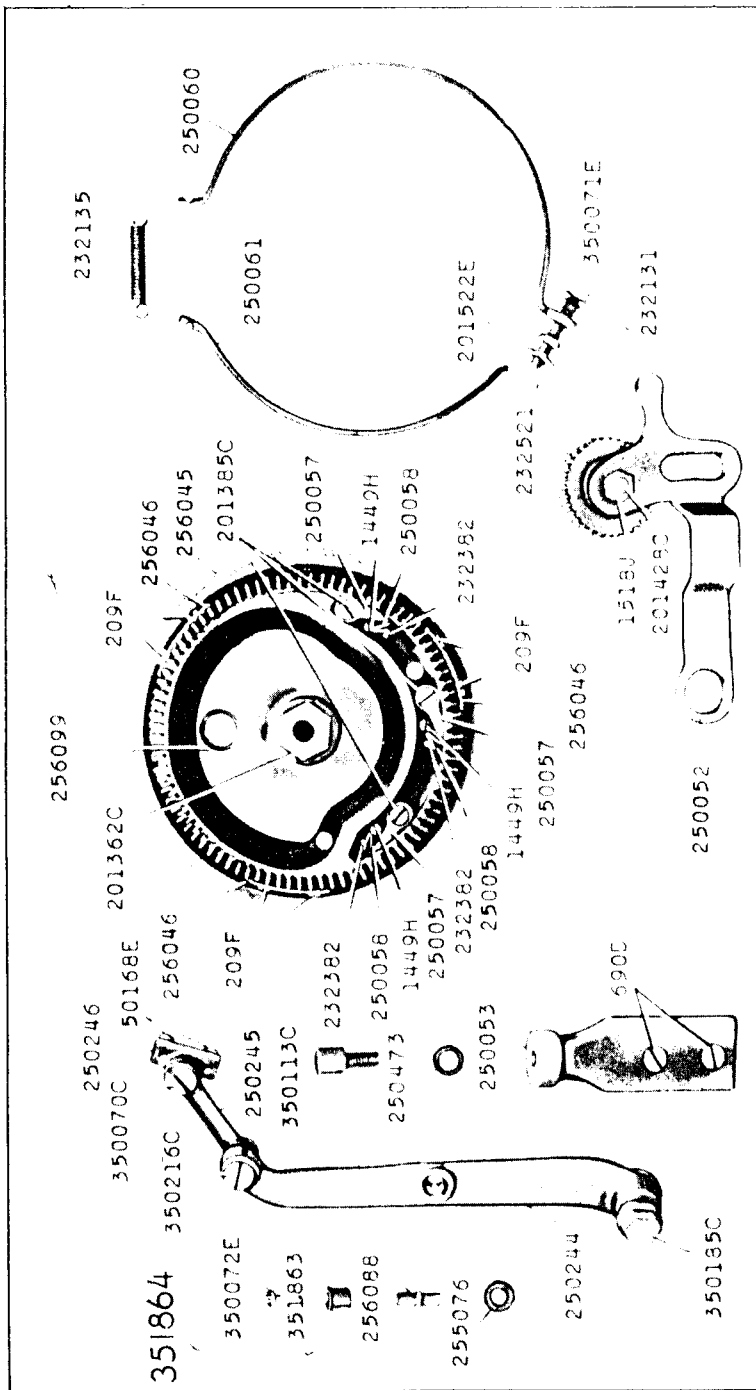
16409 - 2/3



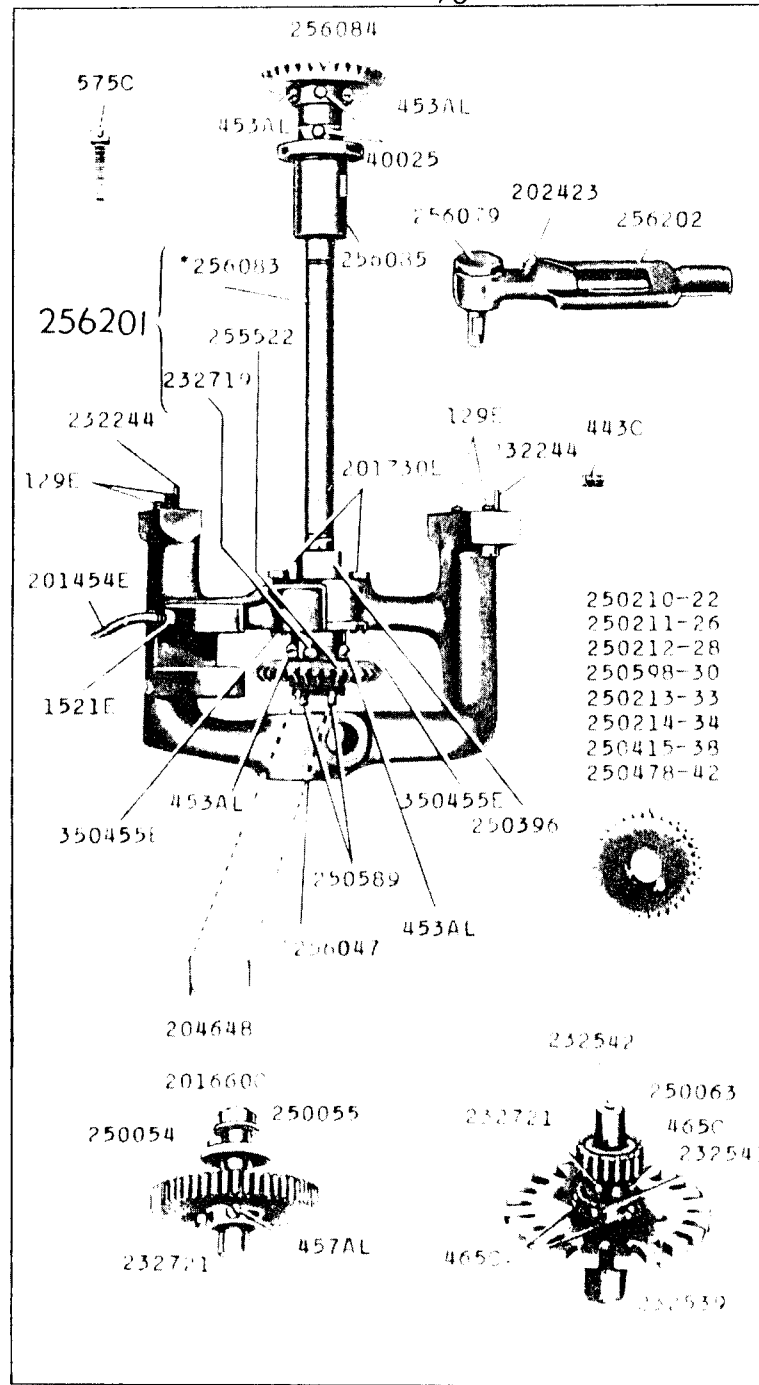
16410 - 3/8



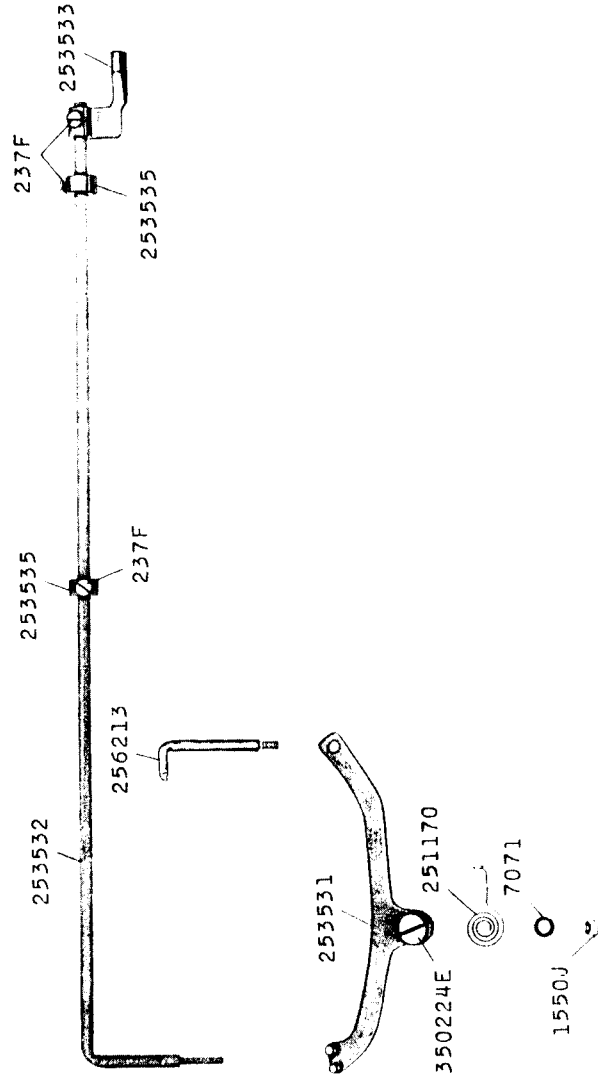
16413 - 1/3



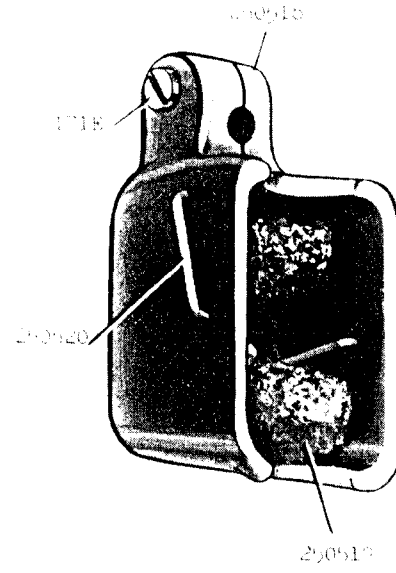
16414 - 3/8



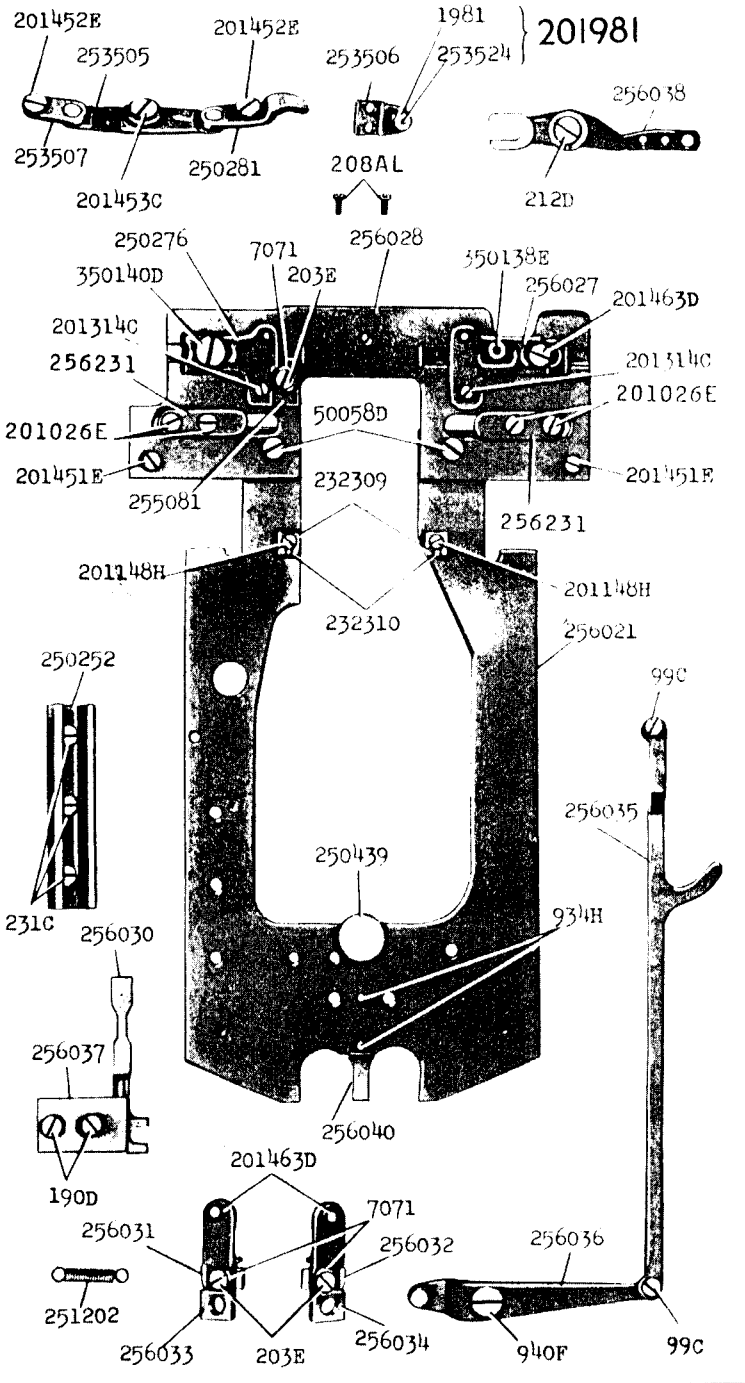
16415 - 3/8



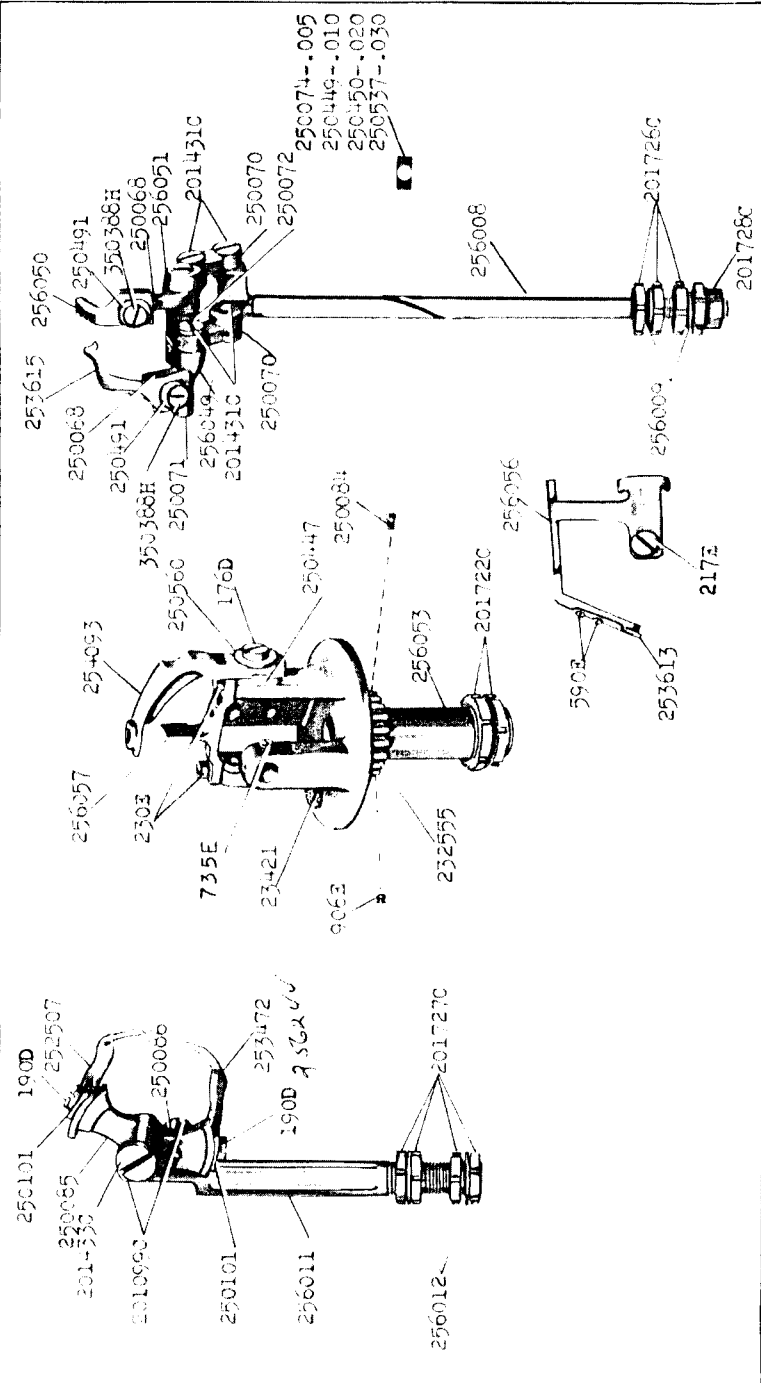
16431



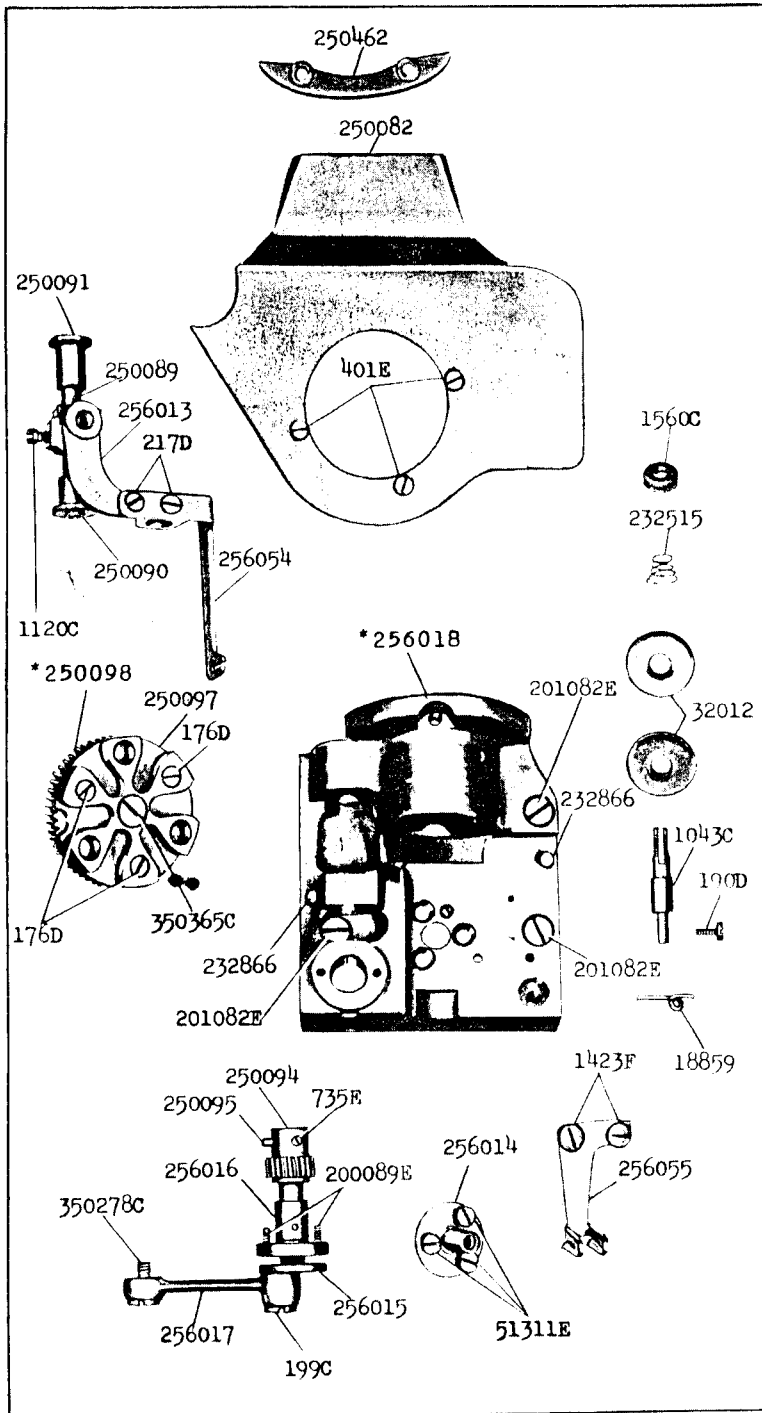
16455 - 3/8



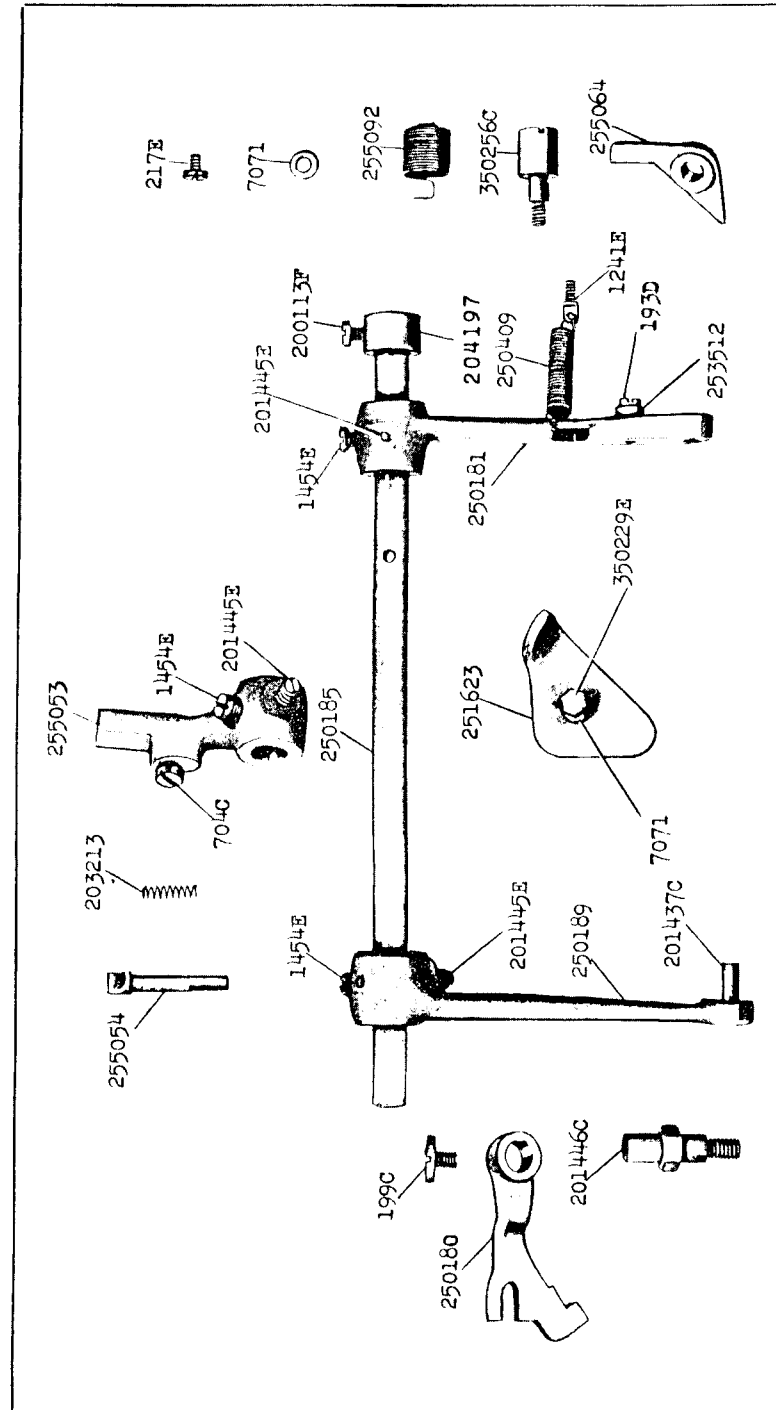
16459 - 1/2



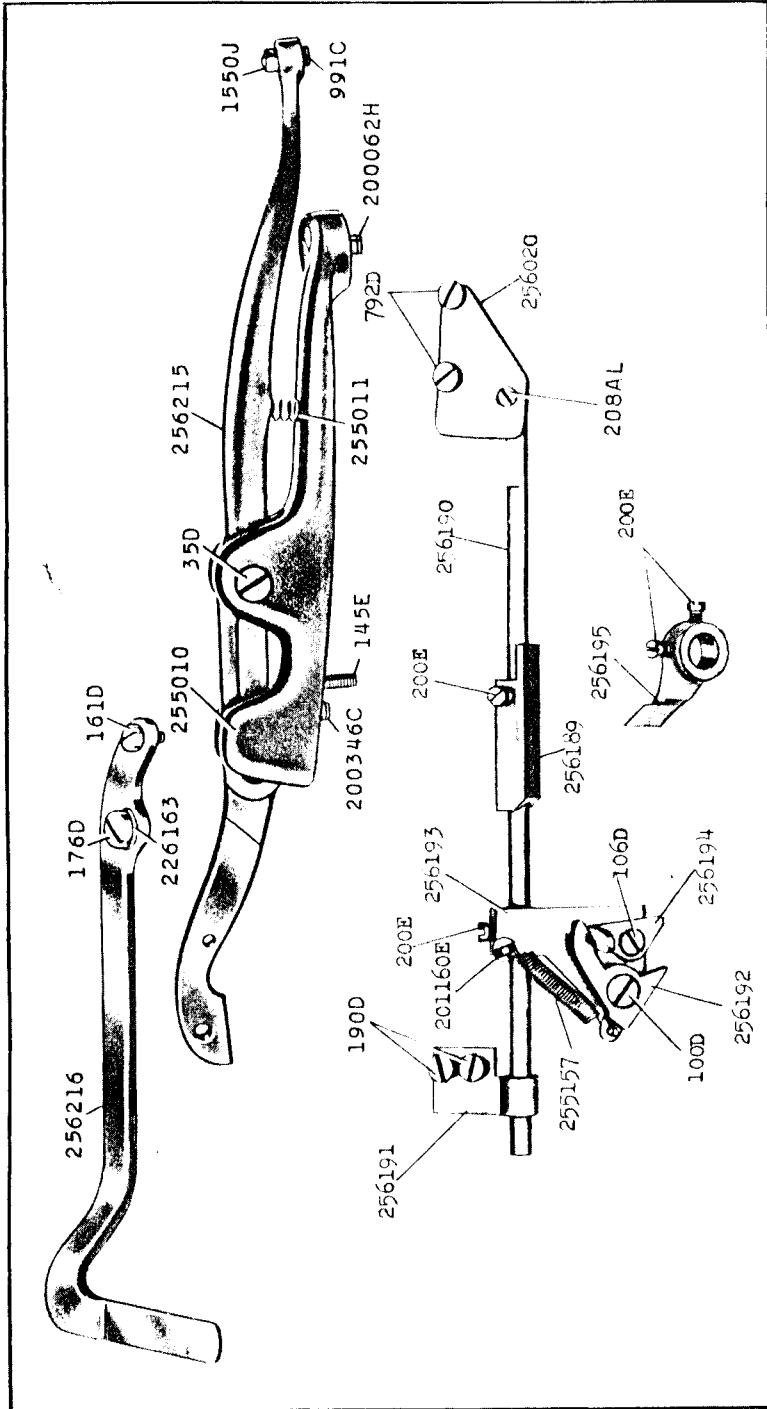
16460 - 3/8



16462 - 1/2

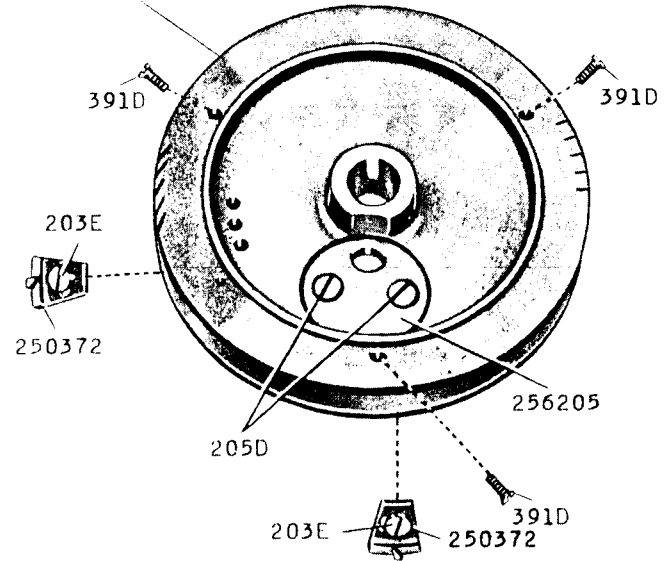


16464 - 1/2

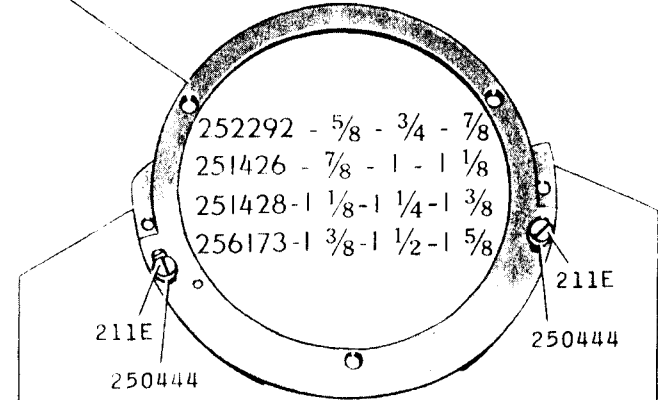


17402 - 1/2

- 256124 256125 - 5/8 - 3/4 - 7/8 (L & M)
- 256126 256127 - 7/8 - 1 - 1 1/8 (L & M)
- 256128 256129 - 1 1/8 - 1 1/4 - 1 3/8 (L & M)
- 256130 256131 - 1 3/8 - 1 1/2 - 1 5/8 (L & M)



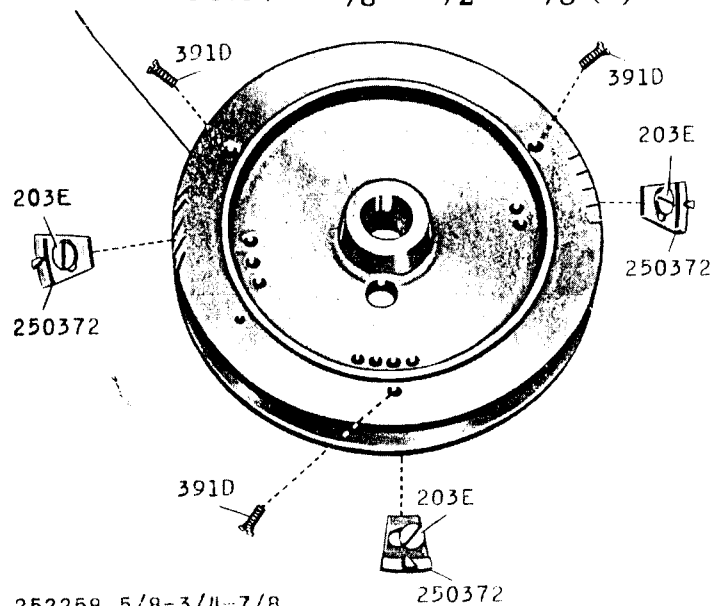
- 252258 5/8 - 3/4 - 7/8
- 251494 7/8 - 1 - 1 1/8
- 251496 1 1/8 - 1 1/4 - 1 3/8
- 252265 1 3/8 - 1 1/2 - 1 5/8



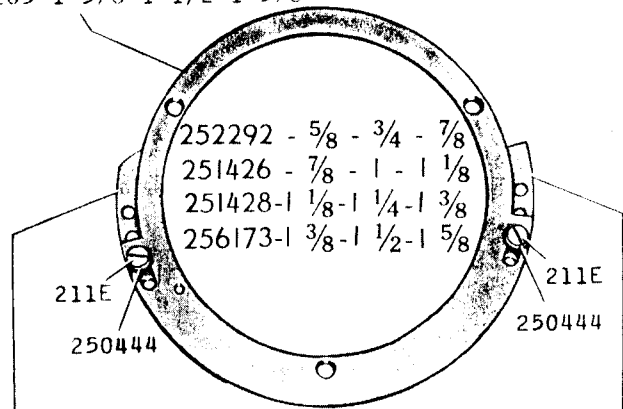
- 252275 5/8 - 3/4 - 7/8
- 252662 7/8 - 1 - 1 1/8 - 1 1/4 - 1 3/8 - 1 1/2 - 1 5/8
- 252276
- 252663

17405 - 1/2

- 256132 256133 - 5/8 - 3/4 - 7/8 (L) & ST
- 256134 256135 - 7/8 - 1 - 1 1/8 (L) & ST
- 256136 256137 - 1 1/8 - 1 1/4 - 1 3/8 (L) & ST
- 256138 256139 - 1 3/8 - 1 1/2 - 1 5/8 (L) & ST



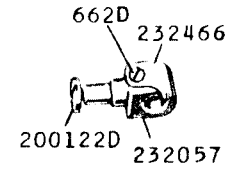
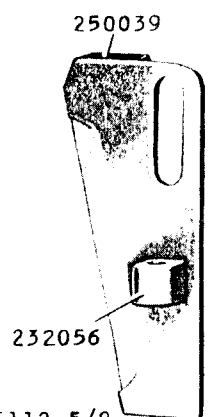
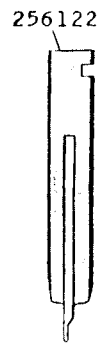
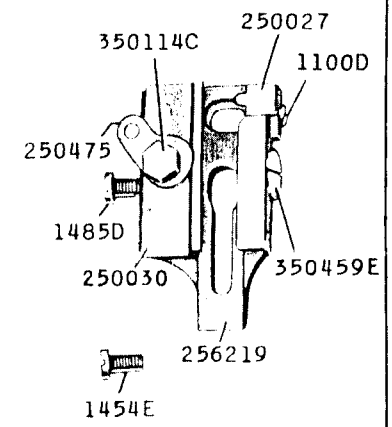
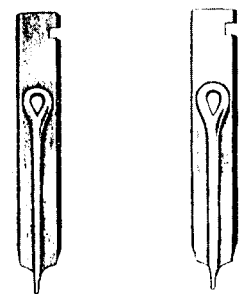
- 252258 5/8-3/4-7/8
- 251494 7/8-1-1 1/8
- 251496 1 1/8-1 1/4-1 3/8
- 252265 1 3/8-1 1/2-1 5/8



- 252275 5/8-3/4-7/8
- 252662 7/8 to 1-5/8
- 252276 252663

17424 - 2/3

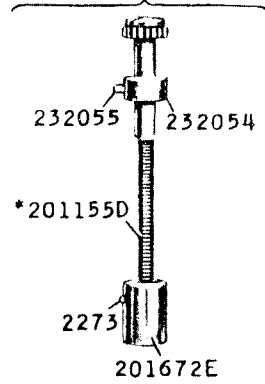
- 256120 .100X.180
- 256123 .126X.180
- 256121 .126X.200



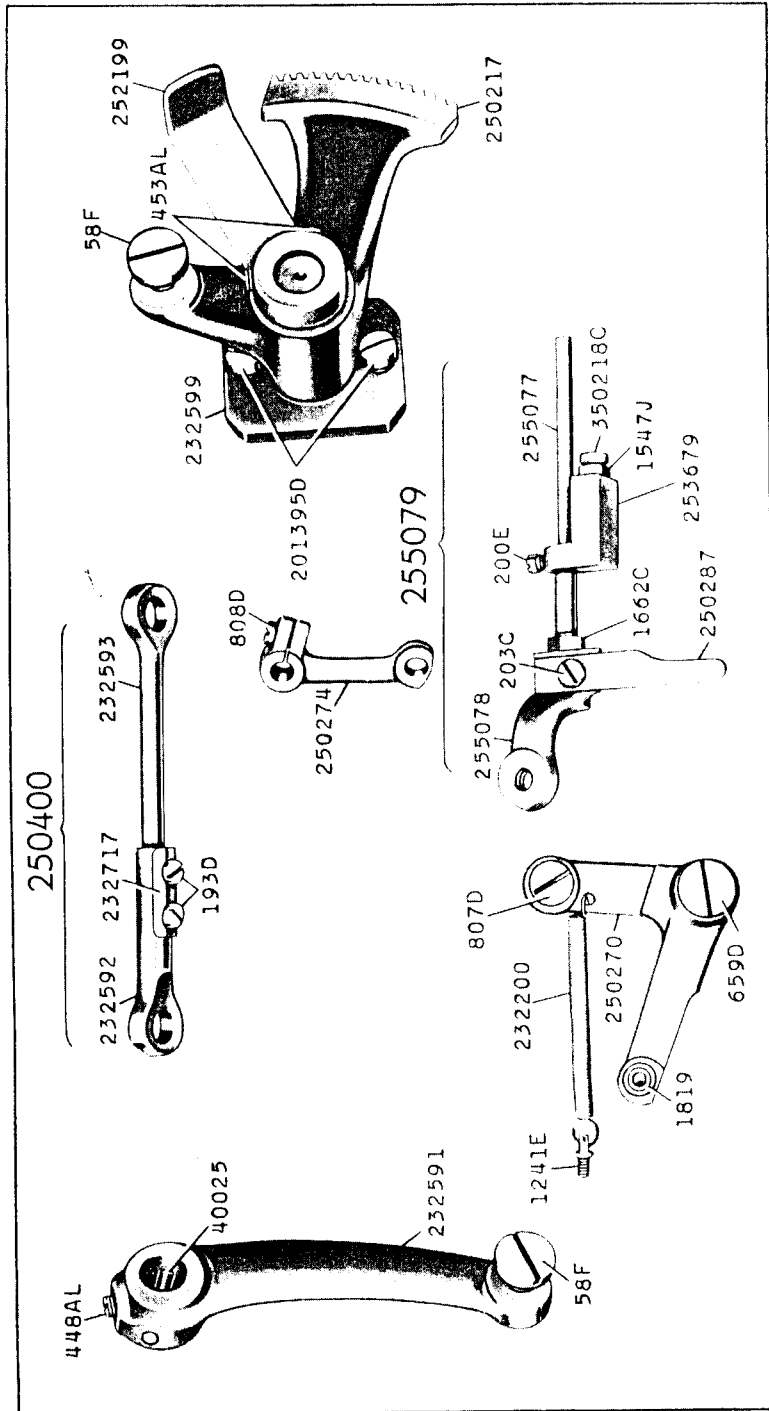
- 256175-5/8
- 256104-3/4
- 256105-7/8
- 256106-1
- 256107-1 1/8
- 256108-1 1/4
- 256109-1 3/8
- 256110-1 1/2
- 256111-1 5/8
- 256112-5/8
- 256113-3/4
- 256176-7/8
- 256114-1
- 256115-1 1/8
- 256116-1 1/4
- 256117-1 3/8
- 256118-1 1/2
- 256119-1 5/8



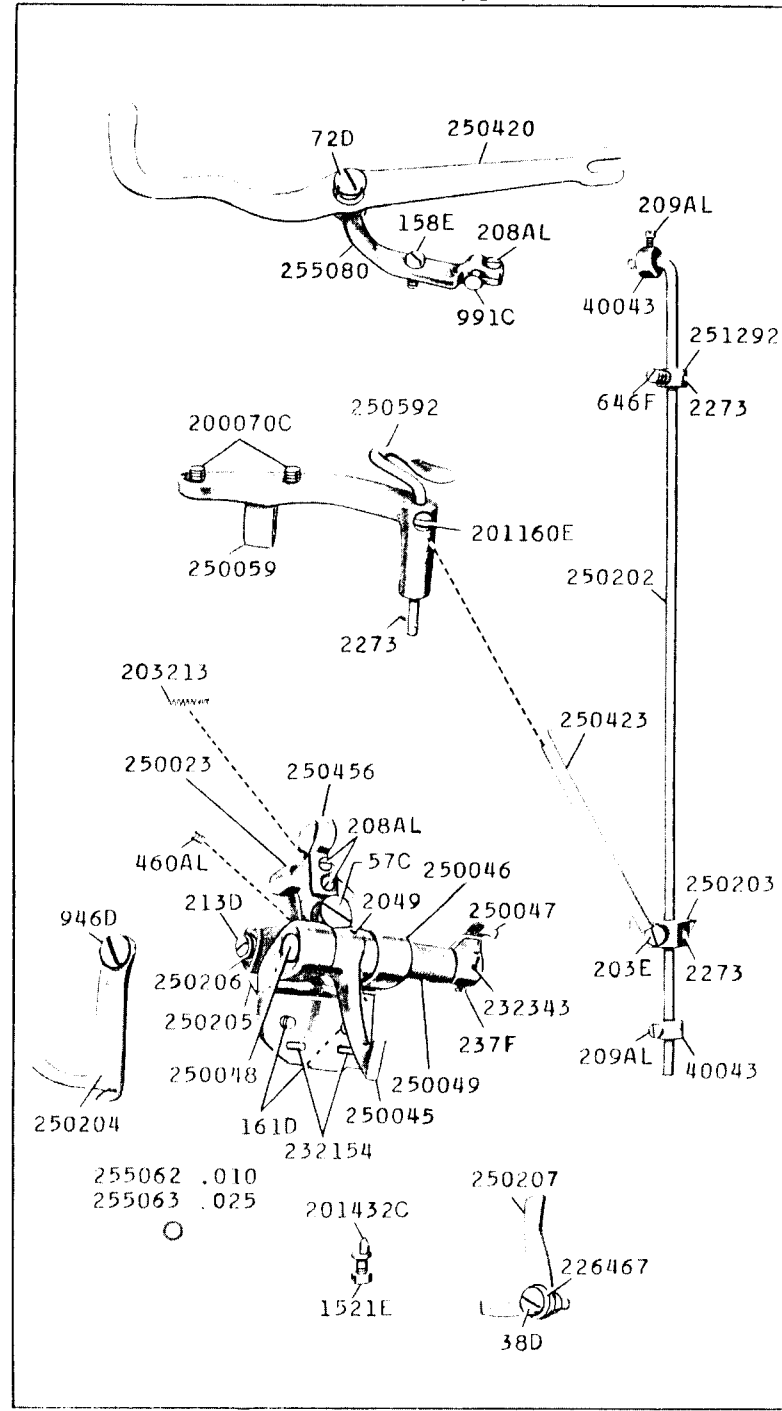
250538



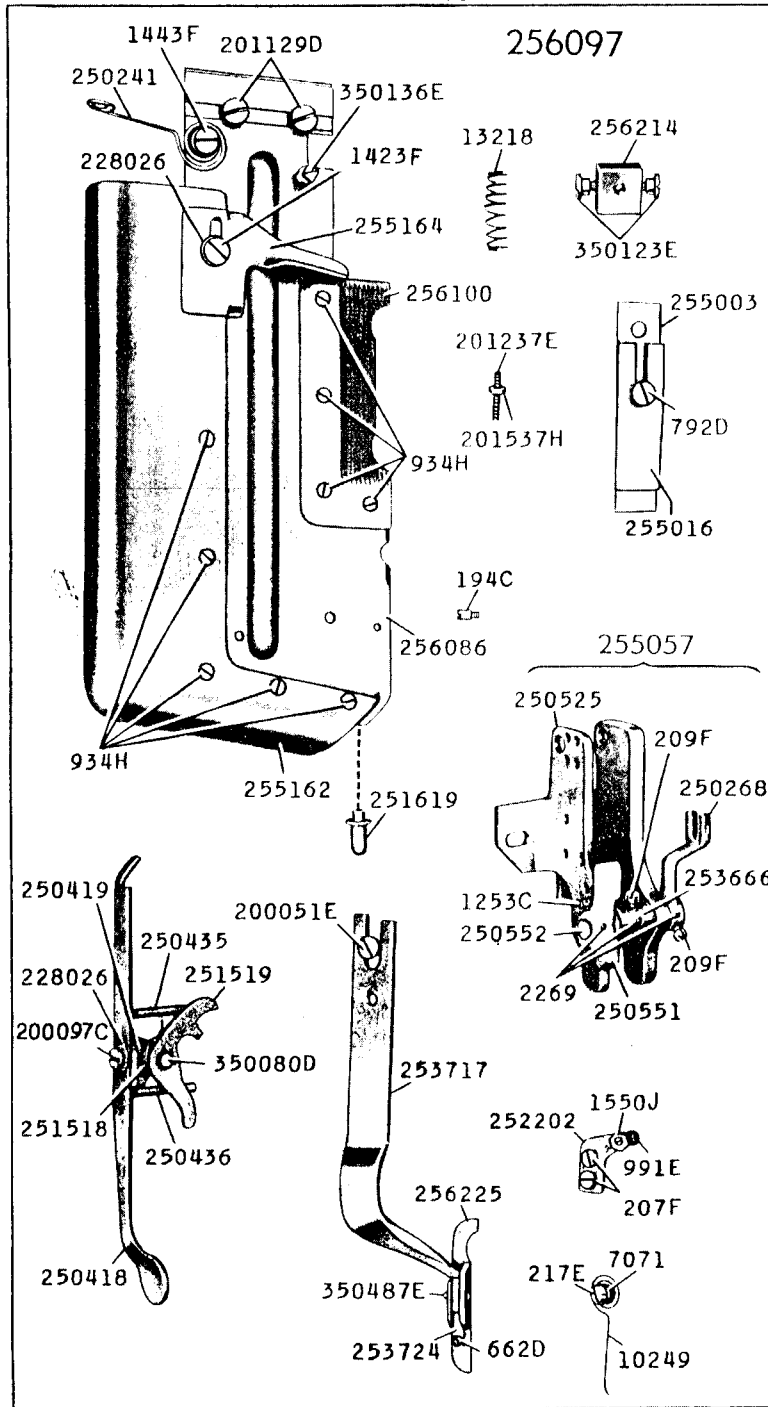
17425 - 1/2



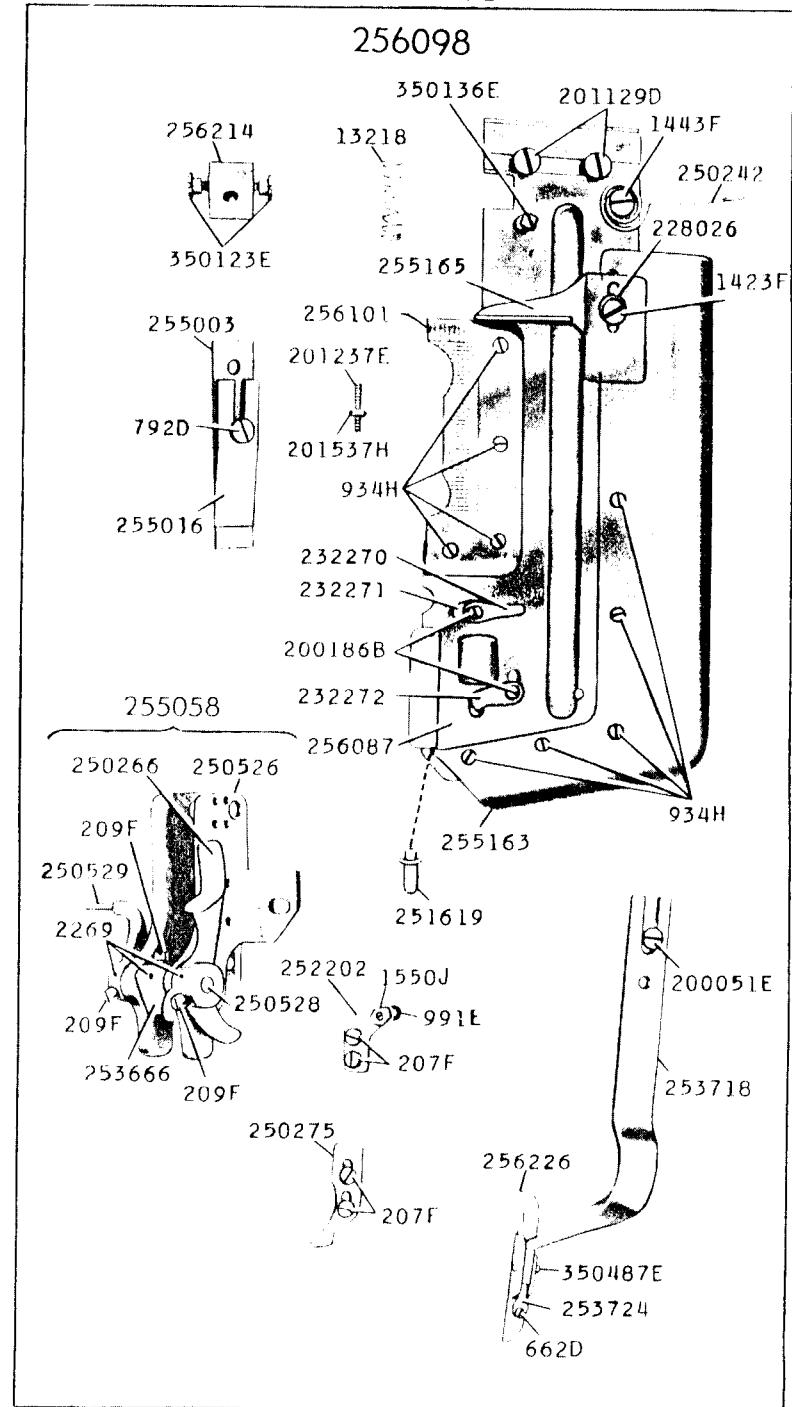
17426 - 3/8



17427 - 3/8



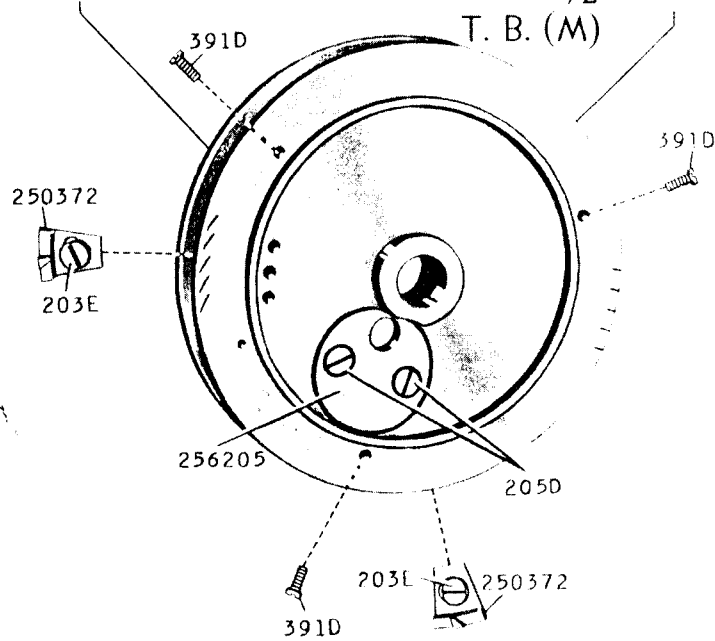
17428 - 3/8



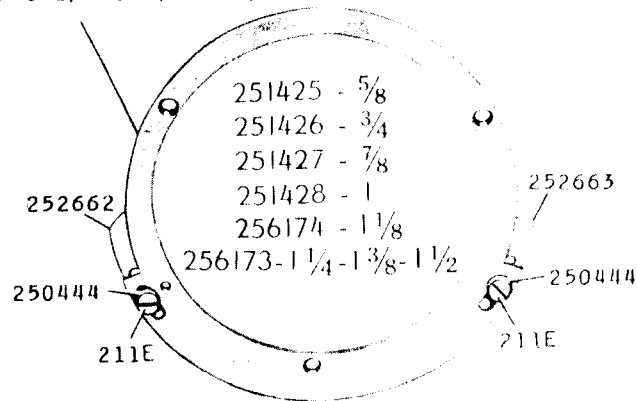
17429 - 1/2

256140	256141 - 5/8	256149 - 1 1/8	256148
256142	256143 - 3/4	256151 - 1 1/4	256150
256144	256145 - 7/8	256153 - 1 3/8	256152
256146	256147 - 1	256155 - 1 1/2	256154

T. B. (M)



- 251493-5/8
- 251494-3/4
- 251495-7/8
- 251496-1
- 252264-1 1/8
- 252265-1 1/4-1 3/8-1 1/2

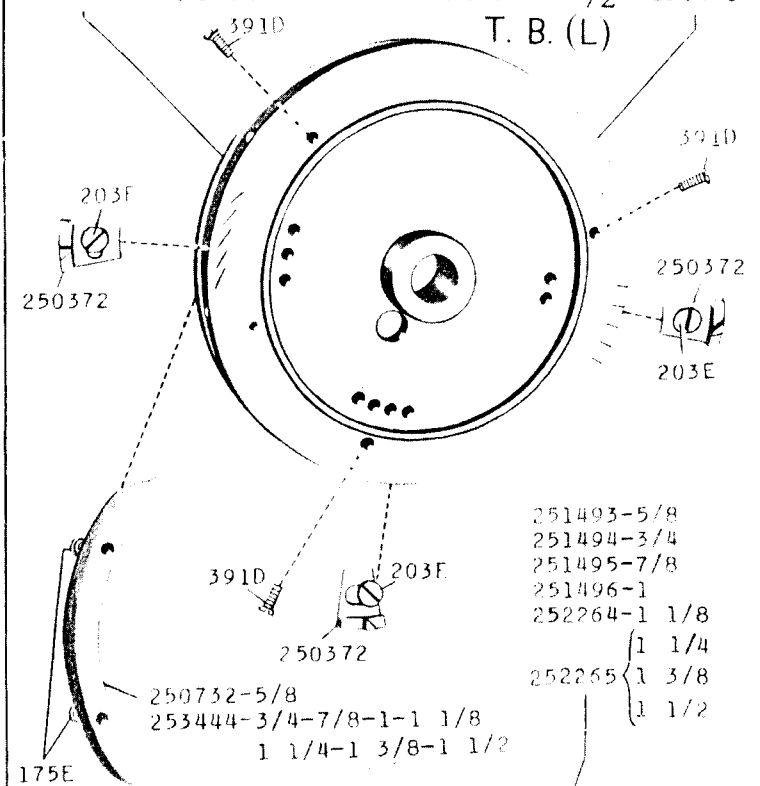


- 251425 - 5/8
- 251426 - 3/4
- 251427 - 7/8
- 251428 - 1
- 256174 - 1 1/8
- 256173-1 1/4-1 3/8-1 1/2

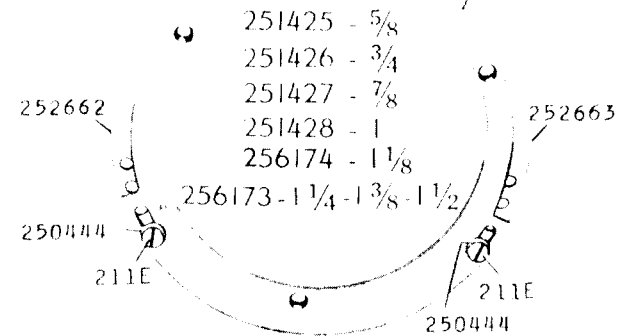
17430 - 1/2

256156	256157 - 5/8	256165 - 1 1/8	256164
256158	256159 - 3/4	256167 - 1 1/4	256166
256160	256161 - 7/8	256169 - 1 3/8	256168
256162	256163 - 1	256171 - 1 1/2	256170

T. B. (L)



- 251493-5/8
- 251494-3/4
- 251495-7/8
- 251496-1
- 252264-1 1/8
- 252265 { 1 1/4
- { 1 3/8
- { 1 1/2



- 251425 - 5/8
- 251426 - 3/4
- 251427 - 7/8
- 251428 - 1
- 256174 - 1 1/8
- 256173-1 1/4-1 3/8-1 1/2