

CATALOG NO.

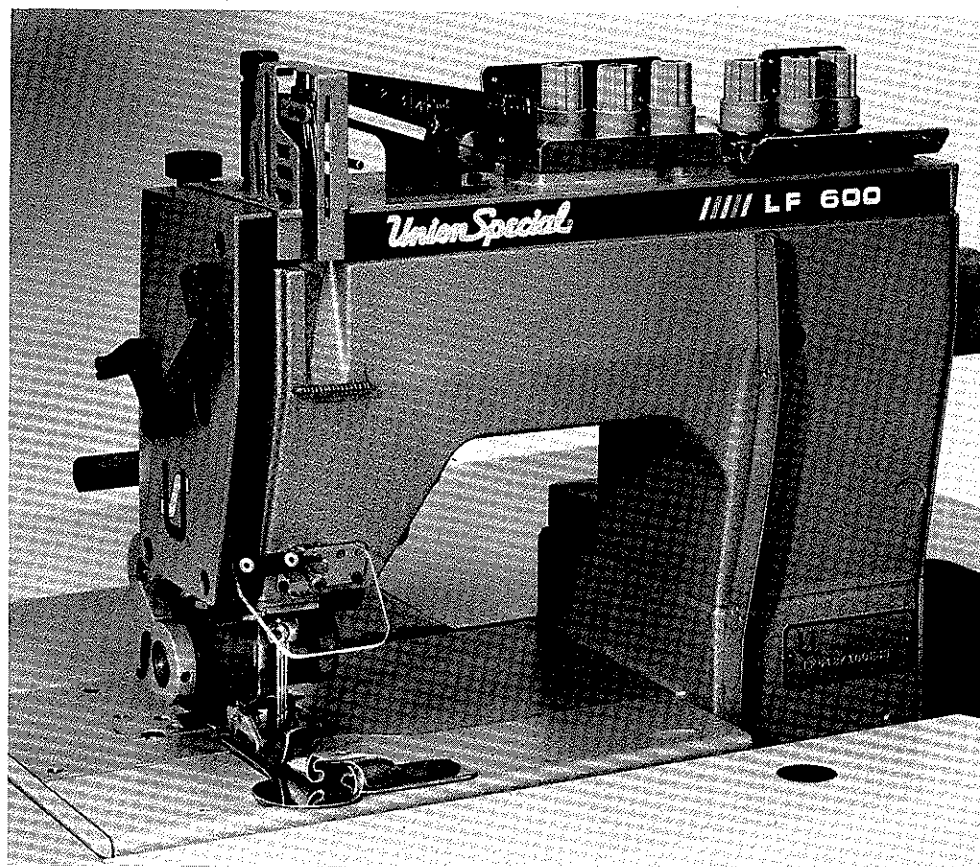
143N

First Edition

## STYLES

LF612K100HB  
LF612K100HC  
LF612K100HJ  
LF612K100HR  
LF612K100MP  
LF612K100MX  
LF612K101MBE  
LF612K112HJ  
LF613K100HJ  
LF613K100HR  
LF613K101HR  
LF613K112HR

# Adjusting instructions and illustrated parts list



Two- and Three-needle, LF600 "Standard Class"  
plain feed flatbed machines.

  
Finest Quality

*Union Special*<sup>®</sup>  
Industrial Sewing Equipment

## FOREWORD

This technical manual has been prepared to guide you in the maintenance of your new UNION SPECIAL machine. Careful attention to the instructions for operating and adjusting these machines will enable you to maintain the superior performance and reliability designed and built into every UNION SPECIAL machine.

The Adjusting Instruction portion of this manual explains in detail the proper setting for each of the components related to forming the stitch and completing the functions of the machine. Figures are used to illustrate the adjustments using reference letters to point out specific items discussed.

Adjustments are presented in sequence so that a logical progression is accomplished. Some adjustments performed out of sequence may have an adverse effect on the function of other related parts.

Implementation of Preventive Maintenance Schedule can bring about significant improvements in operator productivity by avoiding costly equipment breakdowns. Whenever it becomes necessary to make repairs or replace parts on your machine, be sure to insist on genuine UNION SPECIAL Repair Parts. These parts are designed specifically for your machine and manufactured with utmost precision to assure long lasting service.

This Catalog has been made on the basis of available information. Changes in design and/or improvements may incorporate a slight modification of configuration in illustrations or part numbers.

### CATALOG NO. 143 N

For Styles

LF612K100HB	LF612K101MBE
LF612K100HC	LF612K112HJ
LF612K100HJ	LF613K100HJ
LF612K100HR	LF613K100HR
LF612K100MP	LF613K101HR
LF612K100MX	LF613K112HR

First Edition

Copyright 1990

By

Union Special Corporation

Rights Reserved In All Countries

Printed in U.S.A.

July, 1990

Each UNION SPECIAL machine is identified by a Style number, which on this machine Class, is stamped into the Style plate affixed to the right front of machine. Serial number is stamped into bed casting at the left rear base of machine

**NOTE:** Instructions stating direction or location, such as right, left, front or rear of machine, are given relative to the operator's position at the machine, unless otherwise noted. The handwheel rotates counterclockwise in operating direction as viewed from the right end of machine.

## STYLES OF MACHINES

High speed, maximum performance, double locked stitch, plain feed flatbed machine. Totally enclosed feed and looper drive mechanism, fully automatic forced feed lubricating system with easily replaceable oil filter, quick stitch change, independently driven rear needle guard and quick adjustable looper avoid.

**LF612K100HB** Two needle, HIGH capacity, for seaming trousers and similar garments made of medium heavy to heavy weight material. Right needle in front. Standard recommended needle Type 128 GBS, Size 100/040. Available in 7 S.P.I. ONLY. Standard gauge No. 1 ONLY. The seam produced has two rows of stitching with the strength of 14 S.P.I., yet the fabric is moved forward at a rate of 7 S.P.I. Maximum recommended speed 6500 R.P.M., depending on operation.

**LF612K100HC** Same as Style LF612K100HB except available in 10 S.P.I. ONLY.

**LF612K100HJ** Two needle, HIGH capacity, for attaching risers to dungarees, piecing sleeves on denim jackets and attaching overall bibs. Includes double lap seam folder 3/32 inch (2.4mm) capacity. Left needle in front. Standard recommended needle Type 128 GAS, Size 125/049. Stitch range 7-14 S.P.I. Standard gauge Nos. 16 and 18. Maximum recommended speed 6500 R.P.M., depending on operation.

**LF612K100HR** Same as Style LF612K100HJ except Standard gauge No. 18 ONLY. Stitch range 7-10 S.P.I.

**LF612K100MP** Two needle, MEDIUM capacity, for piecing sleeves, joining shoulders and setting sleeves on ordinary quality shirts made with light to medium weight materials. Includes double lap seam folder 1/16 inch (1.6mm) capacity. Standard recommended needle Type 192 GLS, Size 75/029. Stitch range 9-20 S.P.I. Standard gauge Nos. 12 and 16. Maximum recommended speed 6500 R.P.M., depending on operation.

**LF612K100MX** Two needle, MEDIUM capacity for quilting collar bands of shirts and similar garments. Standard recommended needle Type 192 GLS, Size 90/036. Stitch range 14-20 S.P.I. Standard gauge No. 24 ONLY. Maximum recommended speed 6500 R.P.M., depending on operation.

**LF612K101MBE** Two needle, MEDIUM capacity, for hemming bloomers. Equipped with Close-Coupled Roller Puller. Standard recommended needle Type 192 GLS, Size 80/032. Stitch range 6-12 S.P.I. Standard gauge No. 16 ONLY. Maximum recommended speed 6500 R.P.M., depending on operation.

**LF612K112HJ** Same as Style LF612K100HJ except - equipped with power "AIR-KLIPP"® Chain Cutter. Standard recommended needle Type 128 GAS, 125/049.

**LF613K100HJ** Three needle, HIGH capacity, for seaming wind breakers, mackinaws, lumber jacks and for similar operations on medium heavy to heavy weight material. Equipped with tractor

type presser foot. Includes double lap seam folder 3/32 inch (2.4mm) capacity. Standard recommended needle Type 128 GAS, Size 125/049. Stitch range 7-10 S.P.I. Standard gauge Nos. 8 and 9. Maximum recommended speed 6500 R.P.M., depending on operation.

**LF613K100HR** Three needle, HIGH capacity, for seaming sanforized denim and similar operations on medium to heavy weight materials. Includes double lap seam folder 1/8 inch (3.2mm) capacity. Standard recommended needle Type 128 GAS, Size 125/049. Stitch range 7-14 S.P.I. Standard gauge Nos. 8 and 9. Maximum recommended speed 6500 R.P.M., depending on operation.

**LF613K101HR** Three needle, HIGH capacity, for seaming sanforized denim and similar operations. Equipped with Close-Coupled Roller Puller. Includes double lap seam folder. 1/8 inch (3.2mm) capacity. Standard recommended needle Type 128 GAS, Size 125/049. Stitch range 7-10 S.P.I. Standard gauge Nos. 8 and 9. Maximum recommended speed 6500 R.P.M., depending on operation.

**LF613K112HR** Same as Style LF613K100HR except - equipped with power "AIR-KLIPP<sup>®</sup>" Chain Cutter.

<sup>®</sup>"AIR-KLIPP" is a registered trademark of Union Special Corporation.

## SAFETY RULES



### CAUTION!

THIS SYMBOL INDICATES YOUR PERSONAL SAFETY IS INVOLVED

TO PREVENT PERSONAL INJURY:

- All power sources to the machine **MUST** be **TURND OFF** before threading, oiling, adjusting, or replacing parts.
- Wear safety glasses.
- All shields and guards **MUST** be in position before operating machine.
- **DO NOT** tamper with safety shields, guards, etc., while machine is in operation.

## LUBRICATION

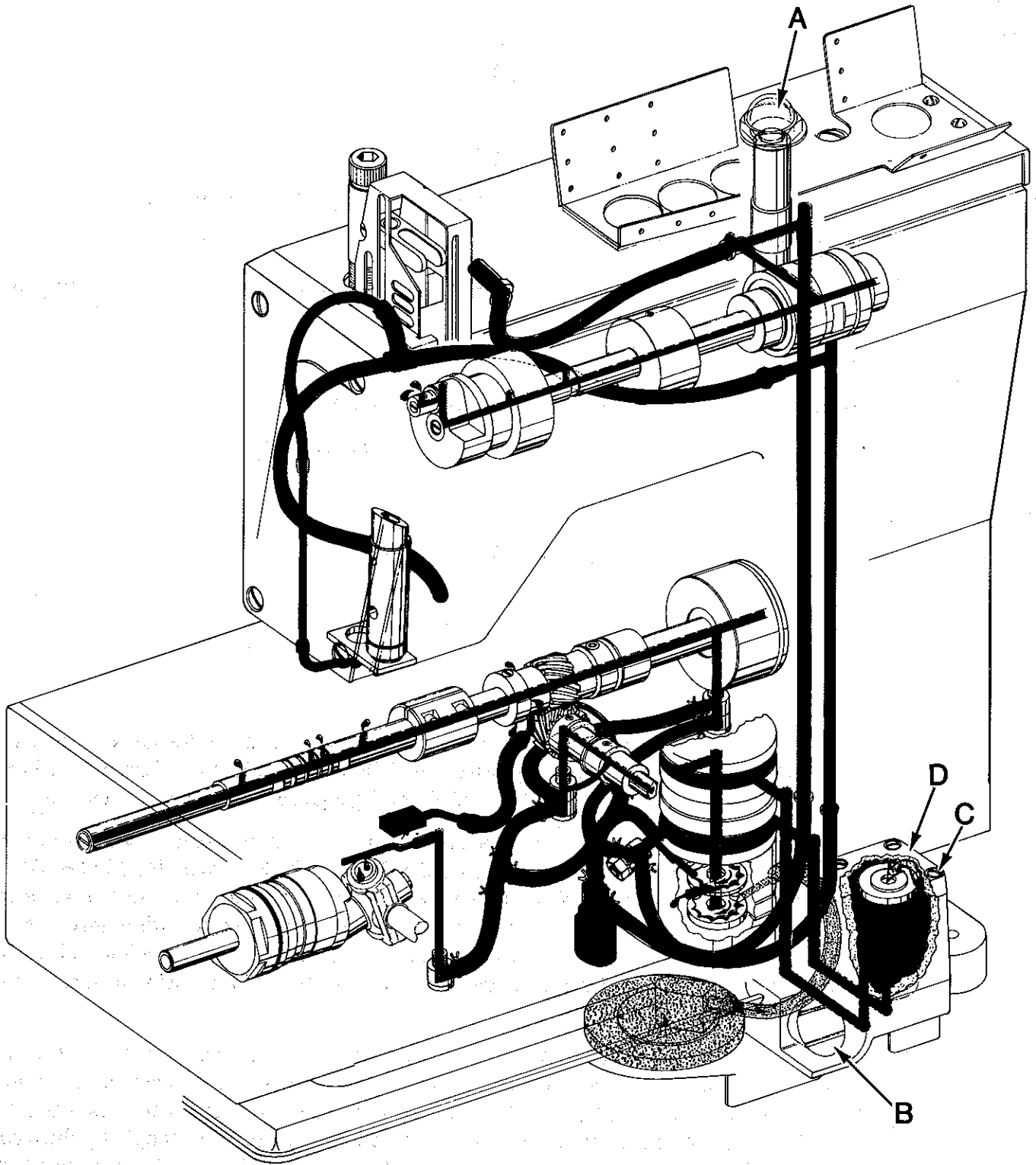
**IMPORTANT:** Machine must be in a leveled position.

Oil has been drained from main reservoir before shipment. Use a straight mineral oil with a Saybolt viscosity of 90 to 125 seconds at 100<sup>o</sup> Fahrenheit. This is equivalent to UNION SPECIAL Specification No. 175. Remove oil filler cap (A, Fig. 1) and fill to the TOP line of oil level gauge (B). Replace oil filler cap.

**CAUTION!** On new machines, machines that have been out of service for an extended period of time OR machines that have been drained of oil and refilled .... **RUN MACHINE SLOWLY** at 300 R.P.M. for approximately five minutes while paying strict attention to the oil flow indicator which should rise in the oil filler cap (A) and remain steady while machine is running. This must be noted to ensure that oil flow indicator is functioning and oil is circulating. Check oil level while machine is running which **MUST** be maintained between the red lines of oil level gauge.

To maintain maximum recommended speed and serviceability of these machines, refer to General-Preventive Maintenance Schedule. Under no circumstances, should oil remain in the machine for more than one year. Oil drain plug is located in bottom of oil pan. **ALWAYS** change oil filter when oil is changed. At this time, evaluate the contaminated condition of the oil to determine if the oil filter should be changed more or less frequently. To replace filter, remove four screws (C, Fig. 1) and cover (D); lift out filter cartridge. **REMOVE (brass) BY-PASS VALVE FROM TOP OF OLD FILTER AND INSTALL IN NEW FILTER.** Reassemble in reverse manner.

# LUBRICATION DIAGRAM



 PRESSURE OIL

 SIPHON RETURN

 INLET

 FILTER BY-PASS

P100B

Fig. 1

## NEEDLES

Each needle has both a type and size number. Type number denotes the kind of shank, point, length, groove, finish, and other details. Size number, stamped on the needle shank in metric, denotes largest diameter of blade, measured midway between shank and eye. Collectively, type and size number represent the complete symbol, which is given on the label of all needles packaged and sold by UNION SPECIAL CORPORATION.

The type numbers of the needles recommended for each Style of machine covered by this catalog are given in the machine style description. Other needles are available, but the ones indicated are those recommended to produce the most satisfactory results. The type numbers of the recommended needles together with their descriptions, and the sizes available are listed below:

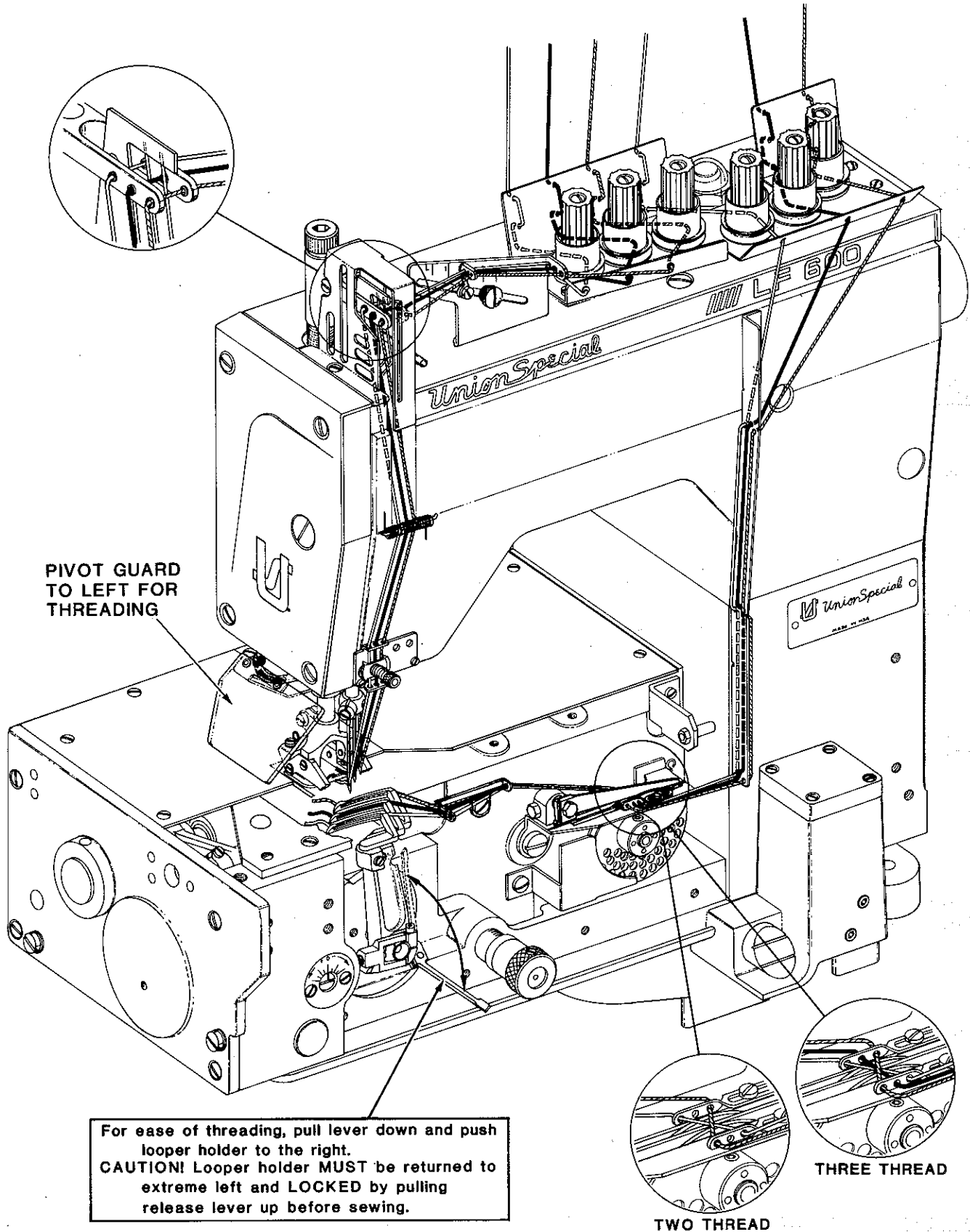
<u>NEEDLE TYPE</u>	<u>DESCRIPTION</u>	<u>SIZES AVAILABLE</u>
128 GAS	Round shank, round point, short, double groove, struck groove, ball eye, spotted, chromium plated.	80/032, 90/036, 100/040, 110/044, 125/049, 140/054, 150/060, 170/067.
128 GBS	Round shank, round point, short, double groove, struck groove, ball eye, spotted, ball point, chromium plated.	80/032, 90/036, 100/040, 10/044, 125/049, 140/054, 150/060.
192 GLS	Round shank, round point, extra short, double groove, struck groove, ball eye, spotted (plated) thin ball point, chromium.	55/022, 65/025, 70/027, 75/029, 80/032, 90/036.

To have needle orders promptly and accurately filled, an empty package, a sample needle, or the Type and Size number should be forwarded. Use description on label. A complete order would read "1000 needles, Type 128 GBS, Size 90/036".

**NOTE:** On earlier styles, machines equipped with a DURACOAT ALUMINUM needle bar, TORQUE needle bar connection screw, 16 to 18 in-lbs (18.4 to 20.7 cm/kg).

On later styles, machines equipped with a STEEL needle bar, TORQUE needle bar connection screw, 22 to 25 in-lbs (25.3 to 28.8 cm/kg).

THREAD MACHINE AS ILLUSTRATED.



A193A

### THREADING DIAGRAM



## TIMING FEED TO NEEDLE

Adjustment would be required if the machine is feeding while the needles are in the work.

This can be accomplished by removing top cover, head cover, left cloth plate, and top feed chamber cover. Rotate handwheel in operating direction to position needle bar at bottom of stroke. At this time, the first screw (A, Fig. 2) in the feed drive eccentric (B) must be on the flat of the feed drive shaft and in a vertical position. Adjustment can be made by loosening two screws (A, Fig. 3) in upper mainshaft sprocket (B). Hold the handwheel firmly with needle bar at bottom of stroke and rotate pulley as required to position screw (A, Fig. 2) so it is vertical. Torque screws (A, Fig. 3) to 55 in-lbs. (63 cm/kg).

**NOTE:** Whenever "TIMING FEED TO NEEDLE" is corrected, always check "SYNCHRONIZING LOOPER AND NEEDLE MOTIONS."

## SYNCHRONIZING LOOPER AND NEEDLE MOTIONS

**NOTE:** End cover has been removed for clarity in Figure 4, but **MUST BE IN POSITION WHILE MAKING THE FOLLOWING ADJUSTMENTS.**

Looper drive belt, (A, Fig. 4) has proper tension if, when turning handwheel in operating direction to position looper in the center of its (right to left) travel.... there is no noticeable (right to left) play in the looper mechanism. There should be approximately 1/8 inch (3.2mm) deflection in looper drive belt when pressing firmly with thumb, midway between sprockets (B and C). Adjustment can be made by loosening two screws (A, Fig. 5) and turn looper module (D, Fig. 4) counterclockwise to tighten belt or clockwise to loosen, as viewed in Figure 4. Retighten screws (A, Fig. 5).

To synchronize machine, remove needle bar eyelet guard, needle thread take-up cam wire, needles, presser foot, throat plate, loopers, and feed dog. Turn handwheel to position needle bar at **BOTTOM** of stroke and looper holder at **EXTREME** right end of travel.

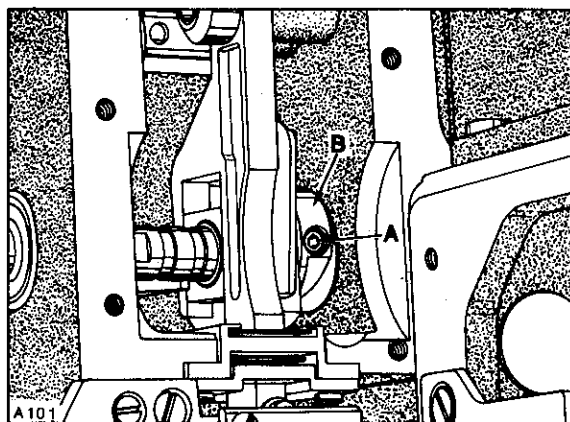


Fig.2

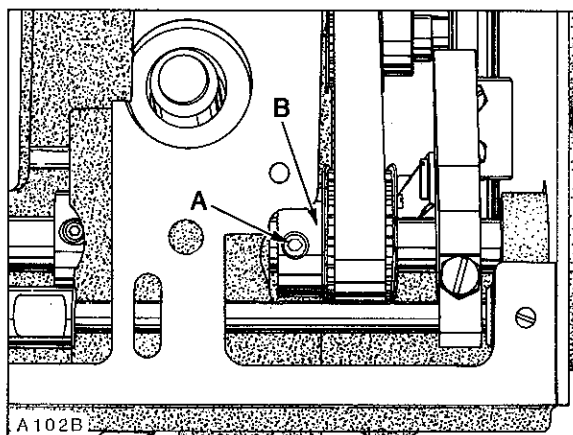


Fig.3

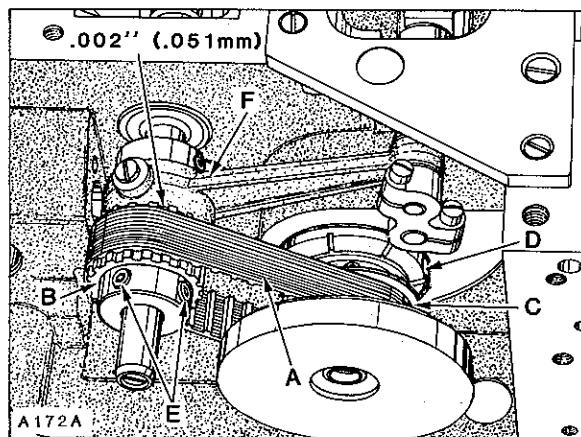


Fig.4

## SYNCHRONIZING LOOPER AND NEEDLE MOTIONS (Continued)

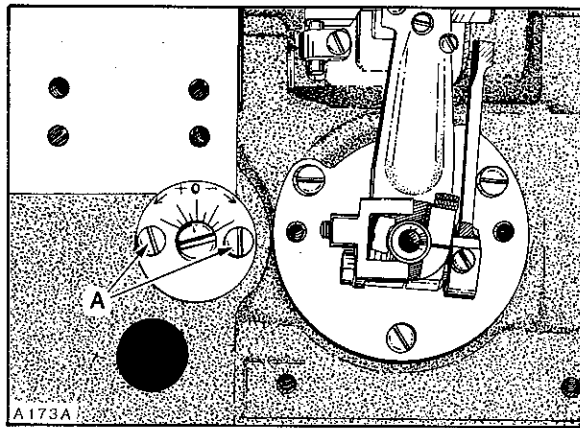


Fig.5

Using gauge No. 21227 AC, mount gauge plate with throat plate attaching screws. Insert pin (included with gauge) into looper holder. Mount indicator block to machine head

with one of the screws removed from needle bar eyelet guard. Insert shank of indicator gauge into indicator block and tighten screw against shank. (See Sketch A for reference).

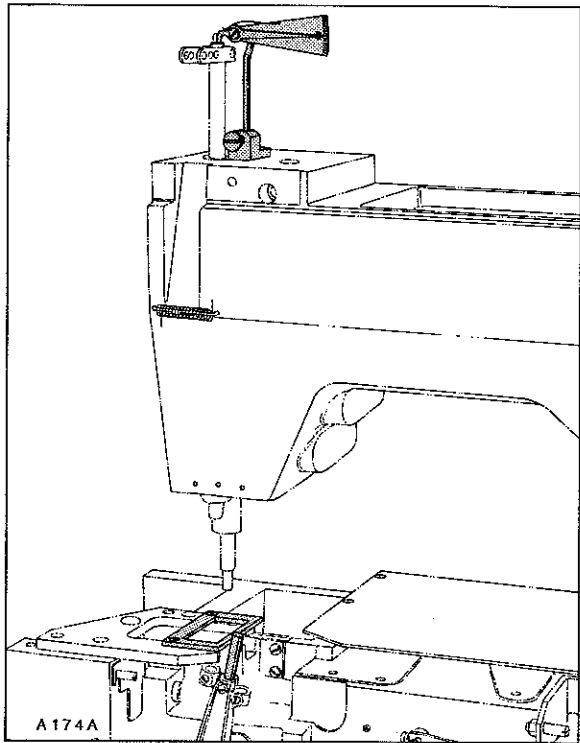
**NOTE:** For Style LF612K101MBE use 21227 T mounting plate.

Rotate handwheel in OPERATING direction until the pin in looper holder contacts gauge plate. Loosen screw (A, Fig. 6) in needle bar connection (B) and position needle bar (C) as required to set the pointer of indicator gauge at "O" and tighten screw (A) VERY LIGHTLY.

**IMPORTANT:** Refer to NOTE, page 7 for proper TORQUE of screw.

Rotate handwheel in REVERSE direction until pin in looper holder again makes contact with gauge plate and note the reading on the gauge. A variation of (1) graduation on the scale is permissible. If the reading is above "O", loosen screws (E, Fig. 4) and turn rear looper drive sprocket (B) towards the operator (clockwise as viewed in Figure 4). If the reading is below "O", turn sprocket away from operator (counterclockwise as viewed in Figure 4). Temporarily snug screws.

Rotate handwheel in OPERATING direction until pin in looper holder contacts gauge plate and note the reading on scale. If the reading is above "O", loosen screws (E) and turn sprocket (B) away from operator (counterclockwise as viewed in Figure 4). If the reading is below "O", turn sprocket towards the operator (clockwise as viewed in Figure 4). Temporarily snug screws.



Sketch A

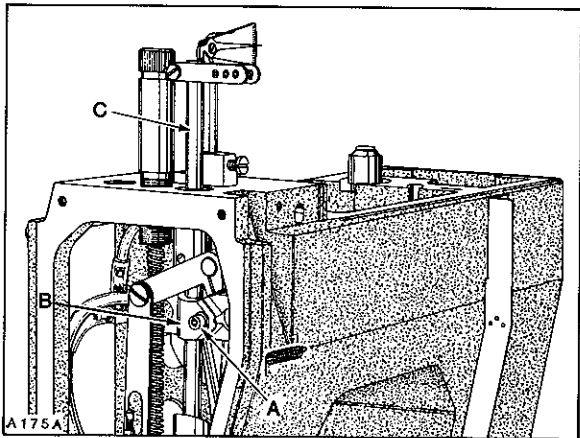


Fig.6

## SYNCHRONIZING LOOPER AND NEEDLE MOTIONS (Continued)

Continue to check and adjust in both OPERATING and REVERSE directions until pointer of indicator gauge comes within (1) graduation on the scale when turning the handwheel in either direction.

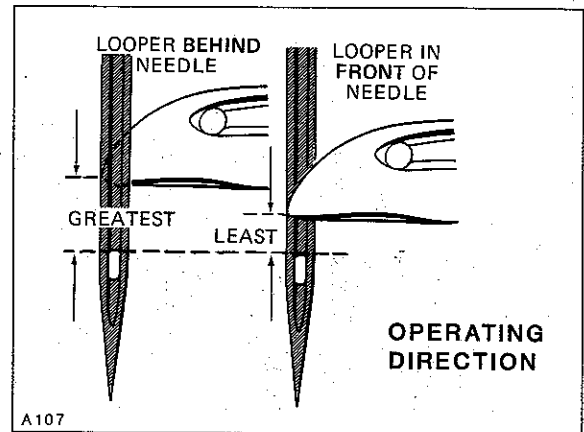
Before tightening screws (E) securely, be sure to have .002 inch (.051mm) clearance between sprocket (B) and needle guard drive connecting rod (F).

If a synchronizing gauge is not available.... turn the handwheel in operating direction to position right looper point even with the left side of right needle and check the distance from the eye of needle to the bottom of looper blade.

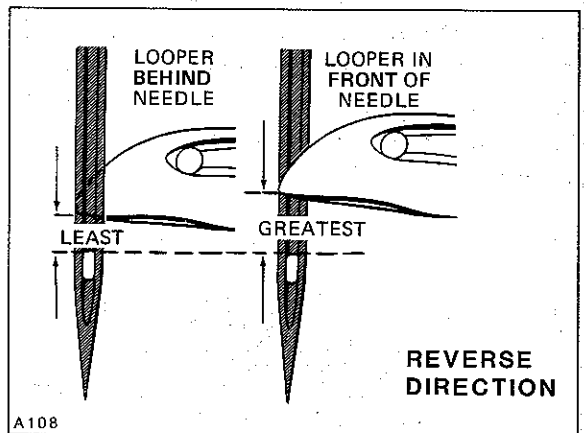
Turn handwheel in reverse direction to position looper point even with the left side of RIGHT needle and check the distance from the eye of needle to the bottom of looper blade. If the distance was greater when handwheel was turned in operating direction, (as viewed in Sketch B) loosen screws (E, Fig. 4) and turn rear looper drive sprocket (B) away from operator (counterclockwise as viewed in Figure 4). If the distance was greater when handwheel was turned in reverse direction, (as viewed in Sketch C) turn sprocket towards the operator (clockwise as viewed in Figure 4). Temporarily snug screws.

Continue to check and adjust in both OPERATING and REVERSE directions until the distance from the eye of the RIGHT needle to the bottom of looper blade is the same in either direction, (as viewed in Sketch D).

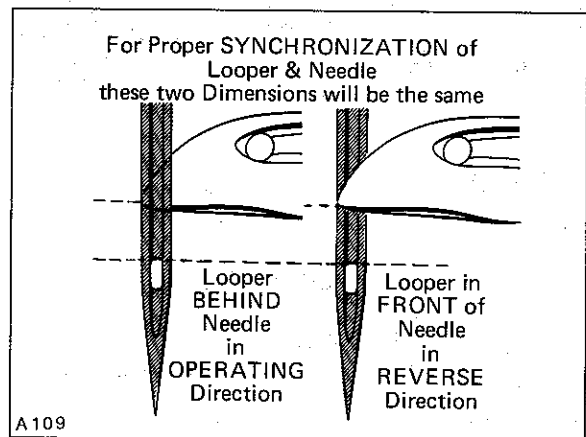
Before tightening screws (E, fig. 4) securely, be sure to have .002 inch (.051mm) clearance between sprocket (B) and needle guard drive connecting rod (F).



Sketch B



Sketch C



Sketch D

## NEEDLE BAR ALIGNMENT

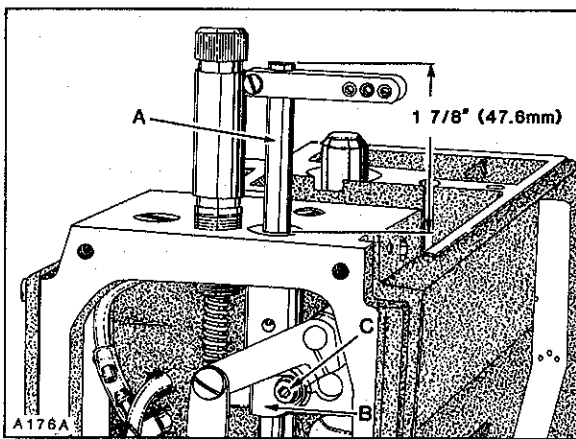


Fig.7

Insert a new set of needles. As a temporary setting, the TOP of needle bar (A, Fig. 7) should be approximately 1 7/8 inches (47.6mm) from the TOP of upper needle bar bushing when needle bar connection (B) is positioned at TOP of STROKE as shown in Figure 7. Adjustment can be made by loosening screw (C), reposition needle bar up or down as required and tighten screw (C) VERY LIGHTLY.

**IMPORTANT:** Refer to NOTE, page 7 for proper TORQUE of screw.

Rotate handwheel to ensure that needles center in the needle holes of throat plate as shown in Figure 8. Adjustment can be made by loosening screw (C, Fig. 7) slightly, allowing needle bar to be rotated as required, while being careful to maintain the temporary height setting and tighten screw (C) AS SPECIFIED. An additional 4-way directional adjustment of the throat plate can be accomplished as follows:

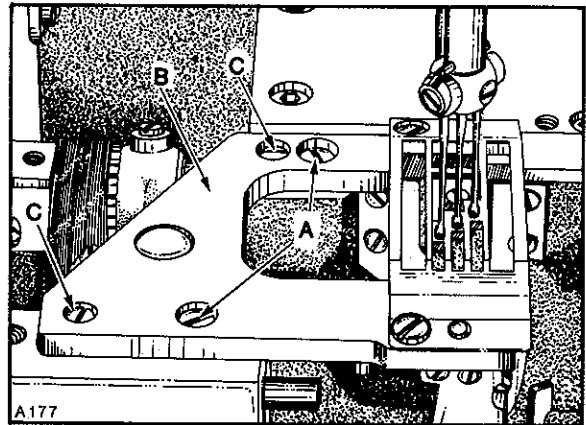


Fig.8

**IMPORTANT:** Adjustment of throat plate must be coordinated between needles and feed dog; refer to "FEED DOG SETTINGS". Loosen two screws (A, Fig. 8) in throat plate support (B). Loosen two screws (C) which secure locating ferrules, allowing the throat plate support to be repositioned slightly. Tighten screws (C) first, then screws (A).

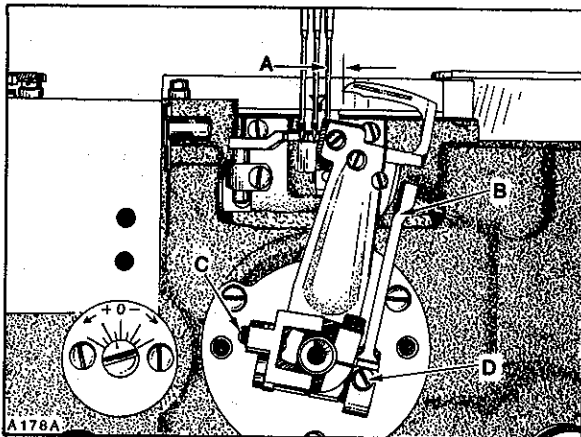


Fig.9

**CAUTION!** DO NOT wedge or pry with any type of tool, as damage to needle bar may result.

## LOOPER SETTINGS

If not previously done, insert a new set of needles; type and size specified. With looper holder at EXTREME right end of travel, distance from centerline of RIGHT needle to point of RIGHT looper should be dimension (A, Fig. 9); see chart. Adjustment can be made by pulling release lever (B) down and loosening screw (A, Fig. 10) in stop collar (B). Apply pressure against the upper portion of looper

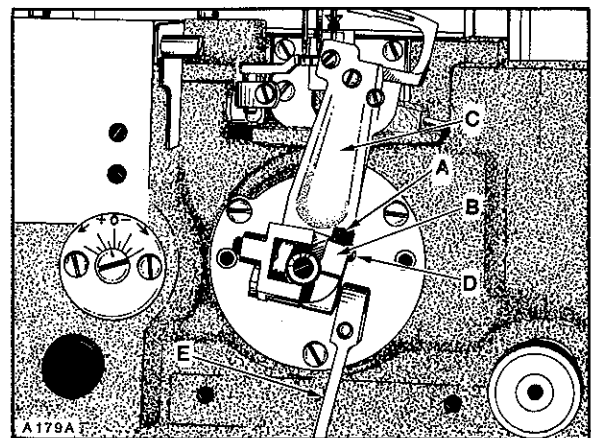


Fig.10

## LOOPER SETTINGS (Continued)

holder (C) to the LEFT while turning screw (D) in looper holder clockwise to increase looper gauge or counterclockwise to decrease. Applicable looper gauge can be used advantageously in making this adjustment. Continue to apply pressure against upper portion of looper to the LEFT while turning stop collar (B) to its EXTREME CLOCKWISE position and tighten screw (A) securely. Push up release lever (E) to lock looper holder in position. Adjust screw (C, Fig. 9) which incorporates a spring plunger, against the recess in cam of stop collar as required to attain the following conditions:

Pull release lever down and be able to push looper holder to the right, with a snapping motion (making loopers easily accessible for threading). Push looper holder to the left, with a snapping motion. Apply pressure against upper portion of looper holder to the LEFT and push release lever up to lock looper holder in operating position.

In locked position, the release lever should be approximately in line with middle looper as viewed from the right side of looper holder. Adjustment can be made by loosening screw (D, Fig. 9), reposition release lever as required and retighten screw.

Loopers must also be set so, as they travel to the left behind the needles, NOT to touch, but with a MAXIMUM clearance of .002 inch (.051mm). Adjustment can be made by pulling release lever down, loosening screw (A, Fig. 10) in stop collar (B) allowing looper holder to be moved forward or rearward on its shaft, as required. Apply pressure against upper portion of looper holder to the LEFT while turning stop collar (B) to its EXTREME CLOCKWISE position and tighten screw (A) securely and push release lever up in locking position. RECHECK looper gauge.

<u>MACHINE STYLE</u>	<u>DIMENSION A FIG. 9</u>	<u>LOOPER GAUGE NO.</u>
LF612K100HB-1	5/32 inch (4.0mm)	21225-5/32
LF612K100HC-1	5/32 inch (4.0mm)	21225-5/32
LF612K100HJ-16	5/32 inch (4.0mm)	21225-5/32
LF612K100HJ-18	5/32 inch (4.0mm)	21225-5/32
LF612K112HJ-16	5/32 inch (4.0mm)	21225-5/32
LF612K112HJ-18	5/32 inch (4.0mm)	21225-5/32
LF612K100HR-18	5/32 inch (4.0mm)	21225-5/32
LF612K100MP-12	1/8 inch (3.2mm)	21225-1/8
LF612K100MP-16	1/8 inch (3.2mm)	21225-1/8
LF612K100MX-24	1/8 inch (3.2mm)	21225-1/8
LF612K101MBE-16	1/8 inch (3.2mm)	21225-1/8
LF613K100HJ-8	5/32 inch (4.0mm)	21225-5/32
LF613K100HJ-9	5/32 inch (4.0mm)	21225-5/32
LF613K100HR-8	5/32 inch (4.0mm)	21225-5/32
LF613K100HR-9	5/32 inch (4.0mm)	21225-5/32
LF613K101HR-8	5/32 inch (4.0mm)	21225-5/32
LF613K101HR-9	5/32 inch (4.0mm)	21225-5/32
LF613K112HR-8	5/32 inch (4.0mm)	21225-5/32
LF613K112HR-9	5/32 inch (4.0mm)	21225-5/32

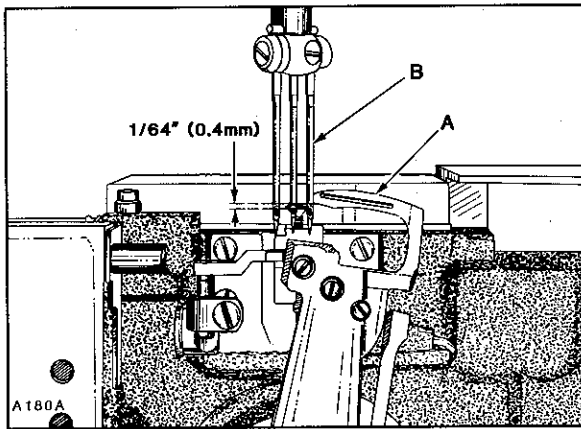


Fig.11

## NEEDLE BAR HEIGHT

Turn handwheel in operating direction until POINT of RIGHT looper (A, Fig. 11) is even with the LEFT side of RIGHT needle (B). TOP of needle eye should be 1/64 inch (.4mm) below the undersurface of looper blade, as shown in Figure 11. Adjustment can be made by loosening screw (A, Fig. 12) and move needle bar (B) up or down as required. TORQUE screw (A).

**IMPORTANT:** Refer to NOTE, page 7 for proper TORQUE of screw. Care must be taken not to disturb ALIGNMENT of needle bar while making this adjustment.

**NOTE:** DO NOT wedge with any type of tool, as damage to needle bar may result.

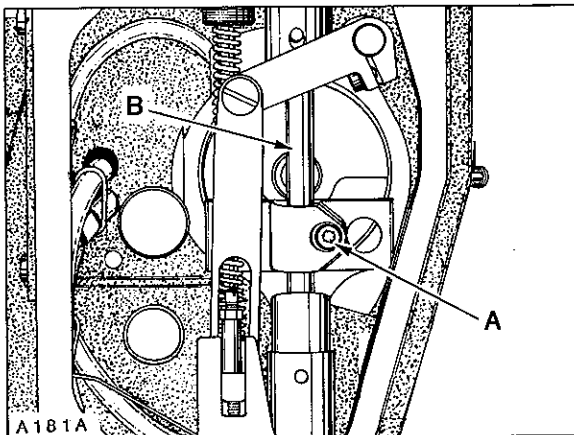


Fig.12

## LOOPER AVOID

Machine is equipped with a quick adjustable looper avoid mechanism to accommodate extreme differences in needle sizes. As the looper travels from left to right with needle bar descending, the needle points should contact ONLY the lower THIRD of the back of looper blades. If looper avoid requires re-setting, loosen two screws (A, Fig. 13) and turn eccentric stud (B) towards the plus side (counterclockwise) for MORE looper avoid or towards the minus side (clockwise) for LESS looper avoid. When desired setting is acquired, tighten screws (A).

**NOTE:** Whenever looper avoid is changed, always recheck "LOOPER SETTINGS".

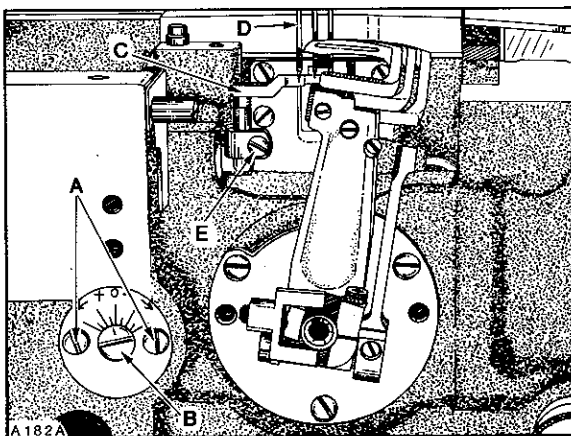


Fig.13

## REAR NEEDLE GUARD TIMING AND ADJUSTMENT

Rotate handwheel in operating direction to position looper points at the RIGHT hand side of needles. At this time the needle guard (C, Fig. 13) should be at its EXTREME END of FORWARD travel. Adjustment can be made by loosening two screws (A, Fig. 14) and turn needle guard eccentric (B) slightly as required until this condition exists. Ensure .002 inch (.051mm) clearance between needle guard eccentric (B) and looper drive sprocket (C) while tightening screws (A) securely.

## REAR NEEDLE GUARD TIMING AND ADJUSTMENT(Continued)

At extreme forward end of travel, rear needle guard (C, Fig. 13) must be set horizontally not to contact needles (D) with a **MAXIMUM** clearance of .002 inch (.051mm). Guard should be set as low as possible, yet have its vertical face approach approximately 3/64 inch (1.2mm) of needle points until point of loopers moving to the left, are even with the right side of needles. Adjustment can be made by loosening screw (E), reposition needle guard as required and retighten screw.

If additional front to rear adjustment is required to maintain needle guard in a horizontal position, loosen screw (D, Fig. 14) in pivot link which allows needle guard shaft to be rotated. Be sure to take up thrust, by exerting pressure against needle guard holder to the left and pivot link to the right, when tightening screw (D).

**NOTE:** Change in stitch length **WILL NOT** require change in needle guard setting, but a change of needle **SIZE**, may.

## FEED DOG SETTINGS

Feed dog should be centered in throat plate with equal clearance on both sides and ends. Feed dog should be level with and parallel to the top of throat plate as it begins to rise. At highest point of travel, feed dog teeth should extend the depth of a full tooth, or approximately 3/64 inch (1.2mm) above throat plate. **MINOR** (right to left) adjustments can be made by loosening two screws (A, Fig. 15) in throat plate support (B). Loosen two screws (C) securing two locating ferrules which allow movement to align throat plate support. Reposition slightly as required, considering both needle hole slots and feed dog slots. Tighten screws (C) first, then screws (A). Front to rear adjustment can be made by turning stitch regulating knob (A, Fig. 16) counterclockwise to obtain **LONGEST** stitch length. Remove rear feed chamber cover which is secured with four screws.

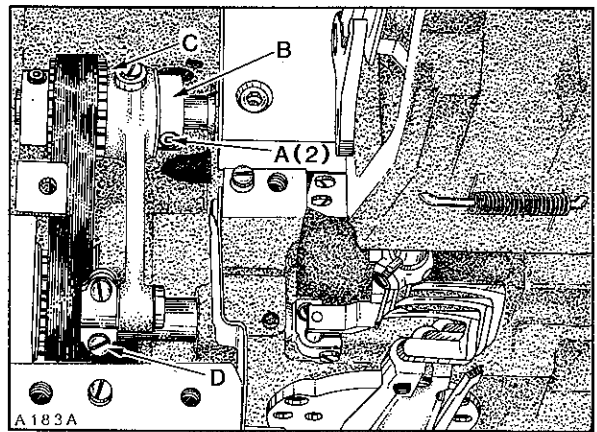


Fig.14

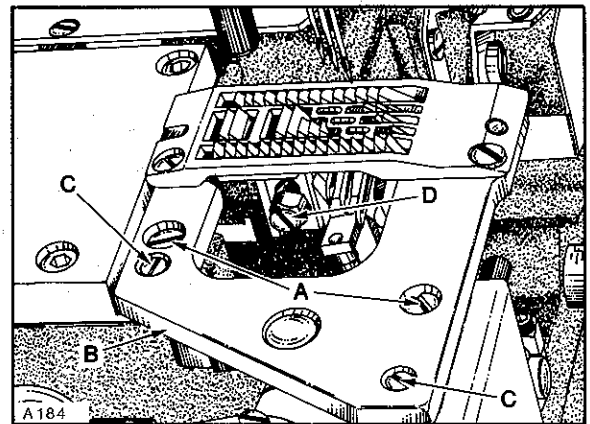


Fig.15

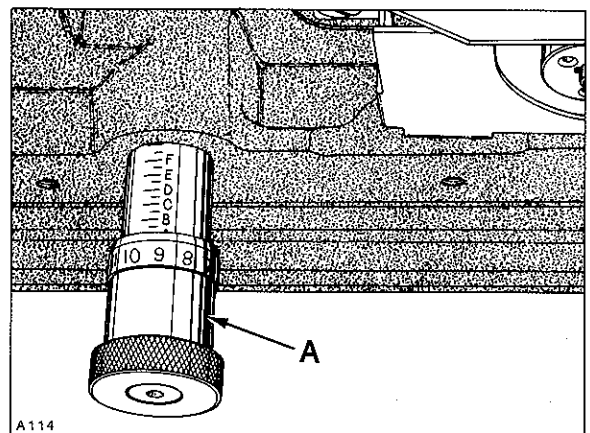


Fig.16

## FEED DOG SETTINGS (Continued)

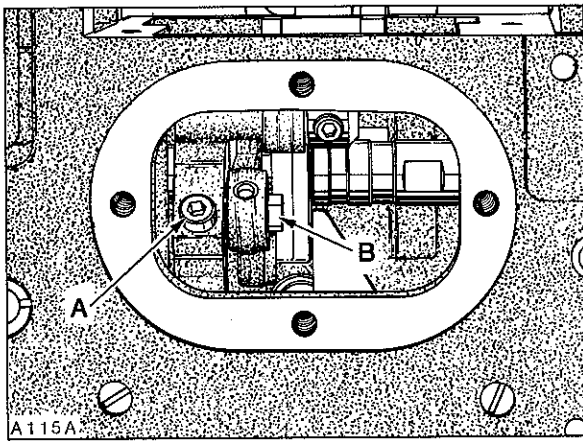


Fig.17

Loosen Allen screw (A, Fig. 17) and turn eccentric (B) while rotating handwheel in operating direction to obtain equal clearance in throat plate, front and rear. Tighten screw (A) securely.

Feed dog can be leveled or tilted by loosening screw (A, Fig. 18) and rotate feed rocker tilting shaft (A, Fig. 19) slightly as required. Punch mark on shaft must be facing operator. Check parallelism of feed dog by placing throat plate in position. Before tightening screw (A, Fig. 18), make sure to have approximately .002 inch (.051mm) clearance between feed rocker (B) and spacer sleeve (C).

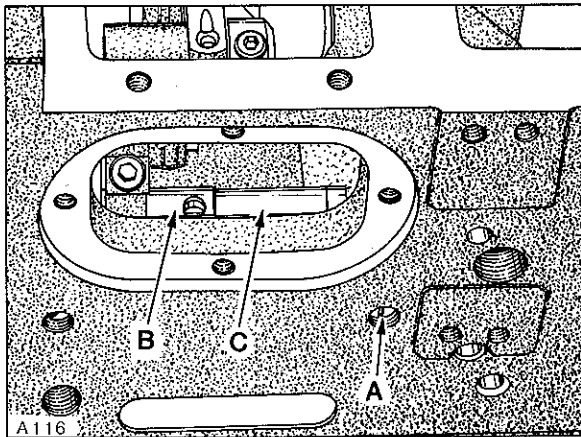


Fig.18

**IMPORTANT:** Recheck front to rear clearance of feed dog in throat plate slots whenever feed rocker tilting shaft has been repositioned. Replace rear feed chamber cover.

With feed travel set to desired stitch length, set feed dog height as specified by loosening mounting screw (D, Fig. 15) to position as required. Feed dog supporting screw is located in the feed dog holder, adjust as required to support feed dog before tightening screw (D).

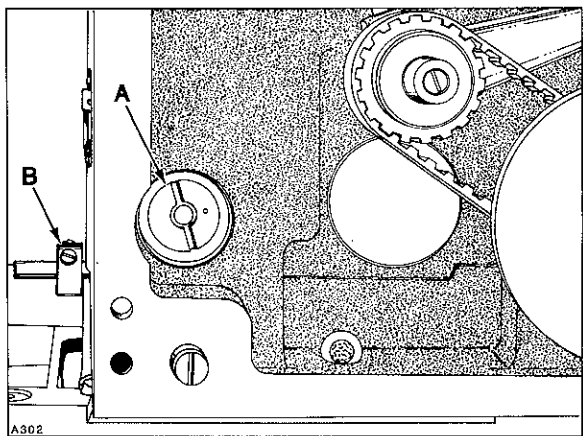


Fig.19

## CHANGING STITCH LENGTH

Stitch length is changed by turning stitch regulating knob (A, Fig. 16) clockwise to shorten the stitch or counterclockwise to lengthen the stitch. Recheck front to rear clearance under "FEED DOG SETTINGS" whenever stitch length is changed. Stop collar (B, Fig. 19) at rear of machine attached to stitch regulating knob shaft can be set to prevent stitch length regulating knob (A, Fig. 16) from accidentally being turned beyond the desired stitch length.



## PRESSER BAR AND PRESSER FOOT

With needle bar at bottom of stroke and presser foot resting squarely on throat plate, there should be a minimum clearance of 1/64 inch (.4mm) between the bottom of screw (A, Fig. 20) and bottom of slot in presser bar guide plate (B). At this time, there should be at LEAST 1/32 inch (.8mm) clearance between bottom of presser bar guide and top of lower presser bar bushing. There should also be 1/16 inch (1.6mm) clearance between bottom of slot in lifter lever link (C) and bottom of presser bar guide (D) when foot lifter lever is released. If adjustment is required, proceed as follows:

Back off presser bar spring regulator to release tension on spring. Loosen two screws (E) in presser bar guide (D). Loosen nut (F) and turn screw (A) down against guide plate (B) to obtain at least 5/64 inch (2.0mm) clearance between bottom of presser bar guide (D) and guide plate (B). Align presser foot with needles and press down **FIRMLY** while tightening two screws (E) in presser bar guide (D).

**NOTE:** This setting was necessary to prevent damage to the scraper edge of presser bar bushing, should presser foot be removed from machine.

Turn presser bar spring regulator down. Back off screw (A) to obtain 1/64 inch (.4mm) dimension between bottom of screw and bottom of slot in presser bar guide plate (B), lock nut (F).

Loosen screw (G) in lifter arm (H) and rotate arm slightly as required to obtain the 1/16 inch (1.6mm) dimension between link (C) and guide (D), retighten screw (G) ensuring no left to right shake in lifter arm (H).

Adjust presser bar spring regulator so it exerts only enough pressure on presser foot to feed the work uniformly. Turning it clockwise increases the pressure, counterclockwise acts the reverse.

## LOOPER THREAD TAKE-UP AND CAST-OFF PLATE

Looper thread take-up (A, Fig. 21) must be centered front to back in cast-off plate (B). It should also be positioned so as the needle bar is descending, the looper threads are "cast-off" the highest lobe of looper thread take-up when the point of the left needle is even with the bottom of its looper blade.

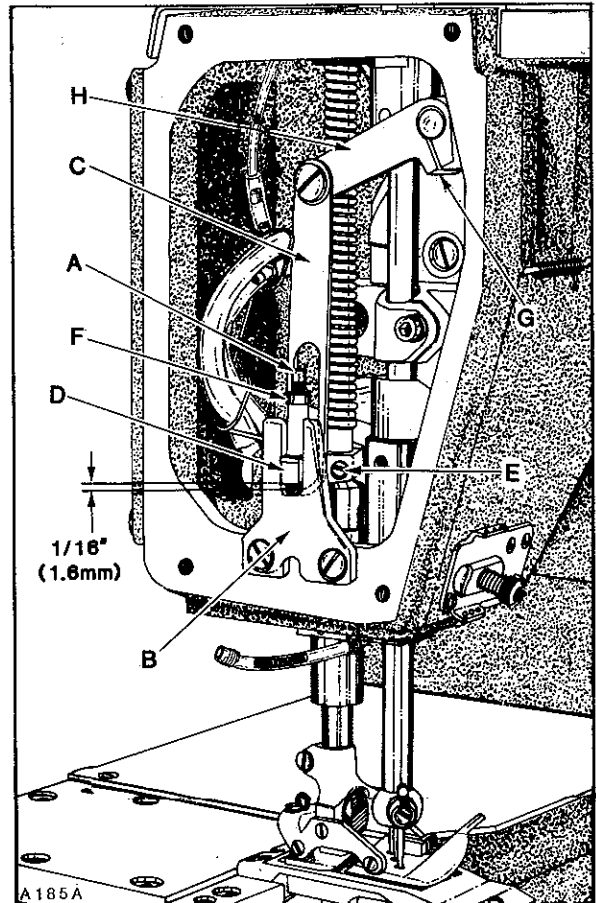


Fig.20

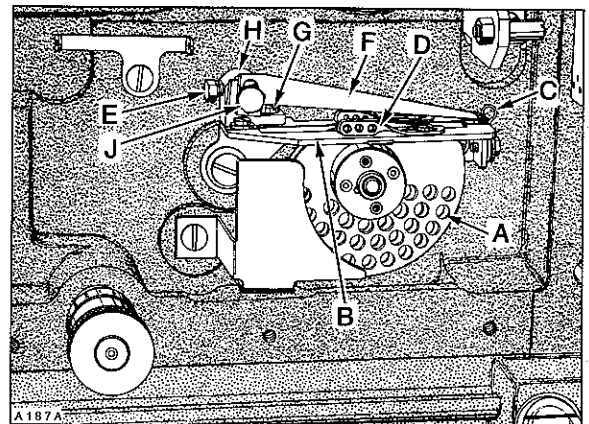


Fig.21

## LOOPER THREAD TAKE-UP AND CAST-OFF PLATE (Continued)

If adjustment is required, lift cast-off plate up. Loosen screw (A, Fig. 22) in positioning collar (B) and two screws (C) in looper thread take-up. Advance or retard take-up as required. Tighten two screws (C) securely in take-up making sure it is centered in cast-off plate. Positioning collar (B), which has a slot in its face, must be aligned with two screws which secure the discs of take-up together while THRUSTING positioning collar forward against take-up. Remove the play between screw heads in take-up and slot in positioning

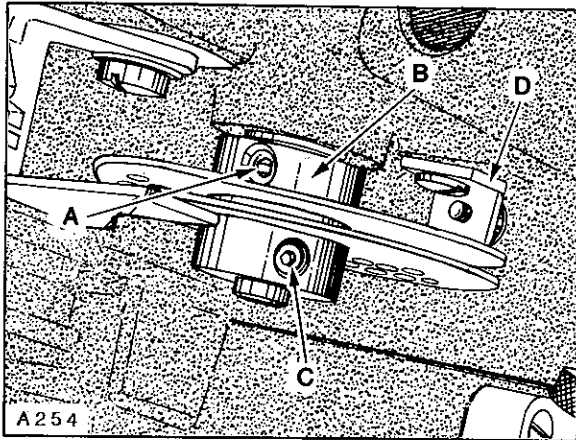


Fig.22

collar by applying pressure on the collar CLOCKWISE while tightening screw (A) securely. Cast-off plate (B, Fig. 21) should be positioned horizontally. Which can be adjusted by repositioning latch (C). Set adjustable eyelets (D) in the center of their mounting screws. More or less, looper thread can be supplied in the stitch by moving adjustable eyelets to the right or left respectively.

If retaining finger is rubbing take-up, loosen screw (E), center the finger (F) and retighten screw. If retaining finger is on an angle, loosen screw (G), turn retaining finger support (H) slightly as required and retighten screw. The height of retaining finger can be adjusted by loosening screw (J), set to required height and tighten screw securely.

## THREAD TENSION RELEASE

Needle thread tension assemblies (A, Fig. 23) are set correctly when the tension discs (B) start to release as the presser foot is raised to within 1/8 inch (3.2mm) of the end of its travel and completely released when presser foot has reached its highest position.

Adjustment can be made by removing plastic plugs (C), and loosening screws (D) and lower tension assemblies (A) to advance the release action or raise tension assemblies to retard the release action. Hold tension assemblies in position while retightening screws (D). Reassemble plastic plugs securely.

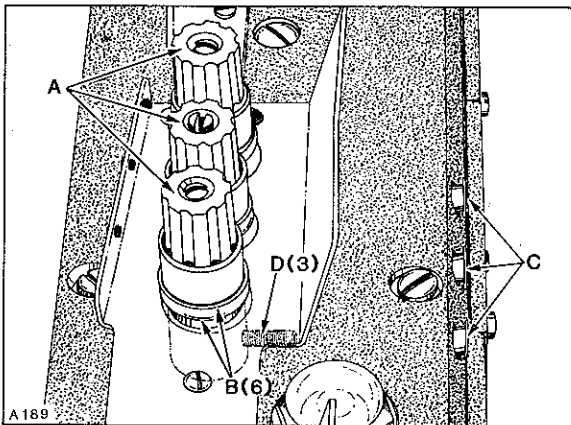


Fig.23

Loosen lock nut (A, Fig. 24) and adjust screw (B) in presser foot lifter lever, allowing presser foot to be raised to its highest position without interfering with needle head. Lock nut (A) securely.

## THREAD CONTROL SETTINGS

Needle bar eyelet (A, Fig. 25) should be set with its eyelets 1/16 inch (1.6mm) below strike-off (B) on needle thread take-up cam wire (C), as shown in Figure 25, with needle bar at BOTTOM of stroke.

Adjustments can be made by bringing needle bar up, loosen screw (D) slightly, bring needle bar down to BOTTOM of stroke, reposition eyelet (A) as required and

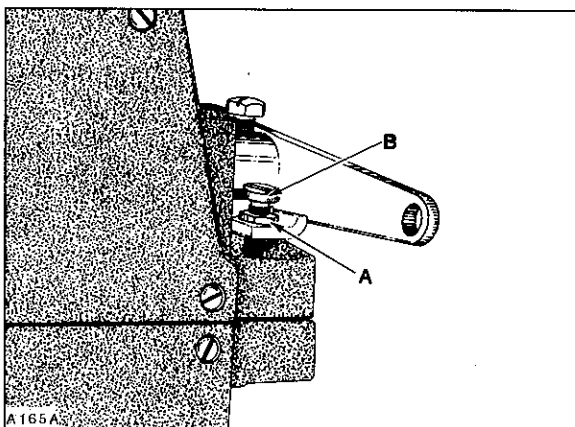


Fig.24

## THREAD CONTROL SETTINGS (Continued)

bring needle bar back up. Torque screw (D) to 10 in-lbs (11.5 cm/kg).

Needle thread take-up cam wire (C) should be set to barely contact needle threads with needle bar at top of stroke. Adjustment can be made by loosening cam mounting screw (E), reposition cam forward or rearward as required and retighten screw. Auxiliary strike-off (F) should be set so needle threads contact strike-off when needle bar is at BOTTOM of stroke with Thread Control Assembly

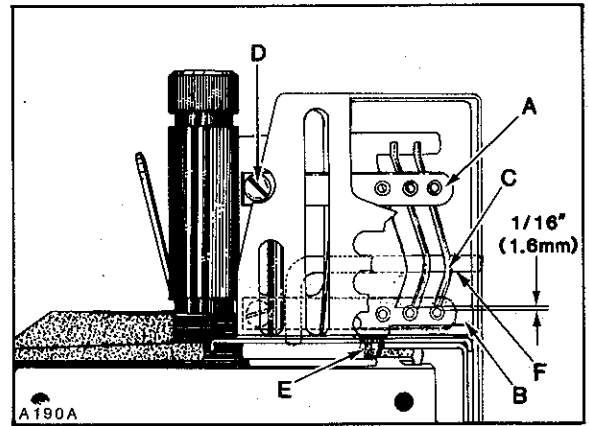


Fig.25

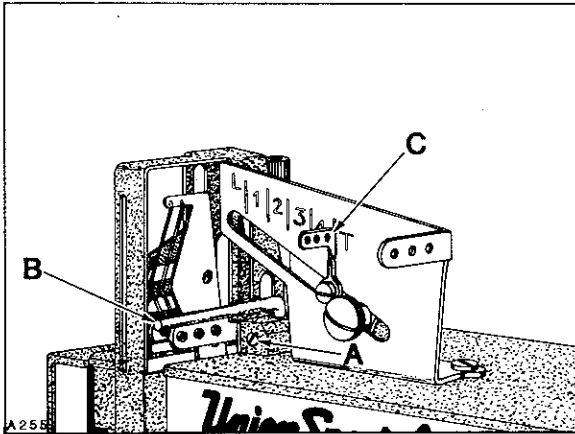


Fig.26

adjustable eyelet (C, Fig. 26) set at "T". Loosen screw (A) and position strike-off (B) as specified and retighten screw. Thread tension on needle thread should be just enough to pull up uniform stitches. Thread tension applied on looper thread should be just enough to steady thread.

## POWER "AIR-KLIPP" CHAIN CUTTER ADJUSTMENTS

Upper knife (A, Fig. 27) can be replaced by removing two screws (B). To replace lower knife, the upper knife must be removed and rear suction tube cover. Loosen two screws (C) and slide housing (D) towards the rear. Remove throat plate support with throat plate attached. Remove screw (A, Fig. 28) and lift up thread inlet (B). Unhook knife spring (E, Fig. 27) and remove lower knife (F). Reassemble knives in reverse manner. Reassemble thread inlet (B, Fig. 28) and slide housing (D, Fig. 27) forward against rear of throat plate; tighten two screws (C).

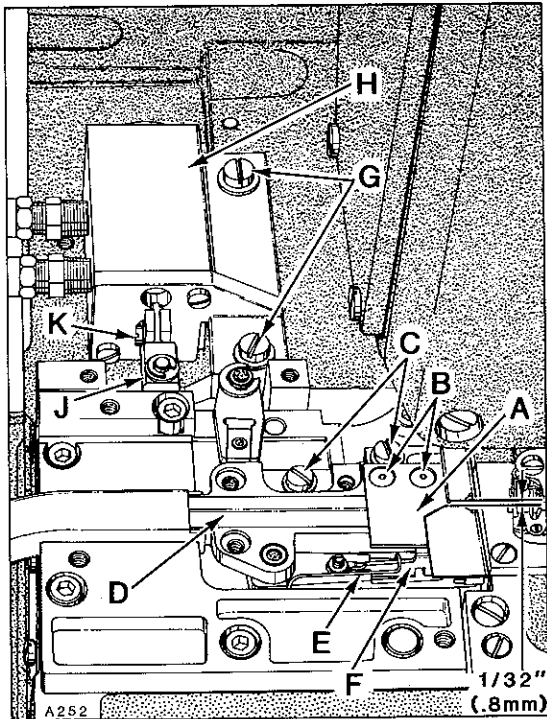


Fig.27

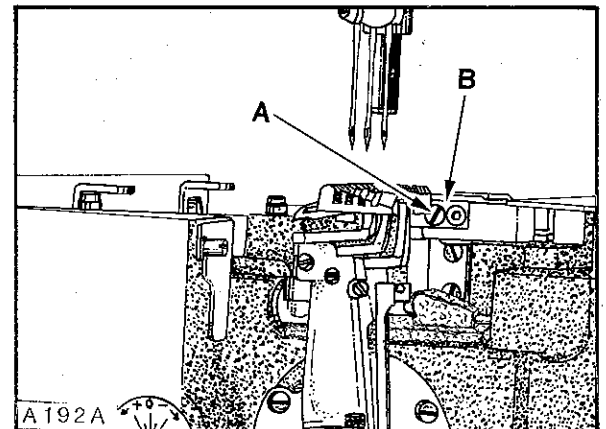
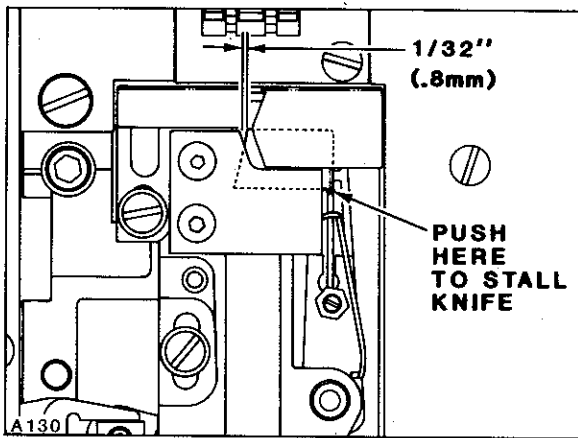


Fig.28

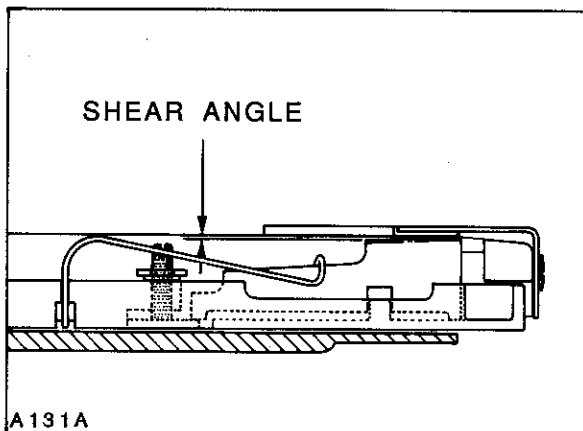


KNIFE CROSS OVER

## SETTING KNIFE CROSS OVER

Adjustment may be necessary after replacing or repairing knives. With sewing motor switch in "OFF" position and air lines connected to air motor, depress treadle until air motor begins to operate, in and out.

**IMPORTANT:** Be sure that lower knife does NOT strike against knife housing or feed chamber cover. Adjustment should be accomplished by loosening two screws (G, Fig. 27) and reposition air motor (H) left or right slightly, but under extreme circumstances it may become necessary to shorten the stroke of lower knife travel by repositioning coupling (J).



SHEAR ANGLE

## SHEAR ANGLE

Adjustment of shear angle can be made by loosening nut (A, Fig. 29) and turning screw (B) clockwise (a small amount at a time) while manually operating knife lever (C), continuously checking with a piece of thread to see if knives are cutting. As soon as the knives fail to cut thread and the shear angle is zero, turn screw (B) counterclockwise approximately 1/4 turn and lock with nut (A). Check cutting action of knives when air motor is operating.

**CAUTION!** Turning screw (B) clockwise to an EX-TREME may cause damage to "AIR-KLIPP" Chain Cutter assembly.

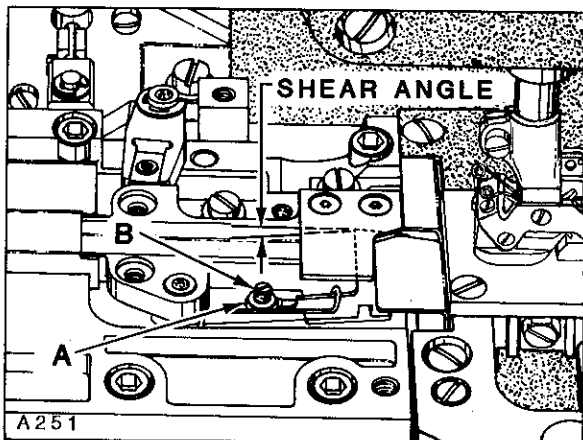


Fig.29

## SETTING PRESSURE VALVES

Regulate valve on pneumatic control device for air motor of the "AIR-KLIPP" chain cutter to approximately 20-22 p.s.i. (1.5 bar) when air motor is operating. Regulate valve on pneumatic control device for the suction air to obtain maximum suction, yet so that the FABRIC TO BE SEWN will not be cut by the "AIR-KLIPP" chain cutter knives.

## PULLER TIMING

The Close-Coupled Roller Puller must be timed so the intermittent feeding action stops BEFORE the needles are entering the work. NOTE: This will depend on the thickness of material and stitch length being sewn. If adjustment is required, remove top cover which is secured with four screws. Loosen four set screws (A, Fig. 30) in sprocket (B). Advance or retard sprocket on shaft as required. When proper timing is obtained, position sprocket on its shaft (left or right) so drive belt is centered in the puller drive assembly. Torque four screws (A) to 35 in-lbs. (40 cm/kg). There should be approximately 1/8

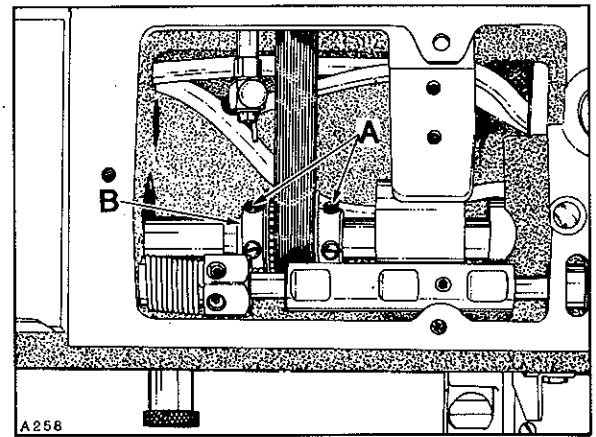


Fig.30

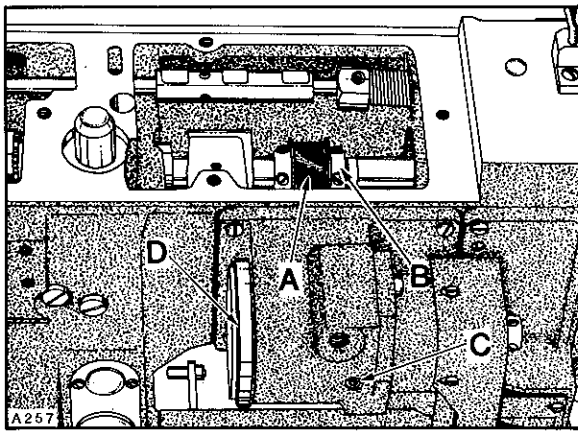


Fig.31

inch (3.2mm) deflection in puller drive belt (A, Fig. 31) when pressing firmly between sprocket (B) and puller drive assembly. Adjustment can be made by loosening one screw (C) securing eccentric (D) and rotate eccentric counterclockwise as viewed in (Figure 31), to tighten belt, clockwise acts the reverse. Be sure to maintain .006-.010 inch (.150-.254mm) between eccentric and drive housing. Tighten screw (C) securely. When assembling top cover, care must be taken to center oil flow indicator in center of oil filler cap.

## PULLER STITCH LENGTH

The feeding motion of the puller is achieved by two sprockets. By using various combinations of nine different sprockets, (59) different puller stitch lengths can be obtained. Refer to sprocket charts on Page 23 that lists the various sprocket combinations. NOTE: Actual stitch length may vary slightly due to material being sewn. When ordering sprockets use the appropriate dash number. Example: C50042-Z(-).

To change sprockets loosen two screws (A, Fig. 32) and position screw to top of tension bracket to release tension on stitch length drive belt. NOTE: Belt guard has been removed for clarity. With drive belt in relaxed position, sprocket (B and C) can be removed. When installing sprockets (B and C) make sure that hub of sprocket is flush with end of shaft and 1st screw in operating direction is on the flat of shaft. Reassemble drive belt, tighten 2nd screw in sprockets (B and C) securely. Rotate handwheel in operating direction to make sure belt does not bind within

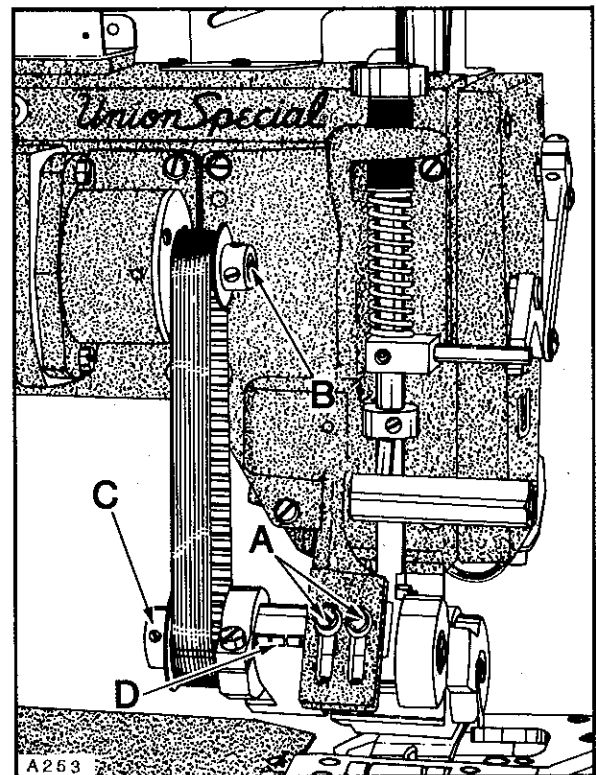


Fig.32

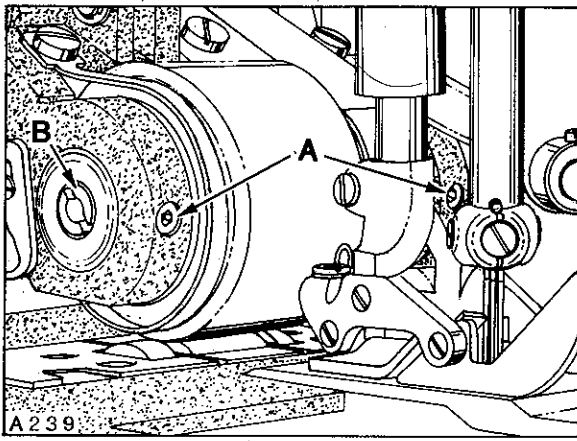


Fig.33

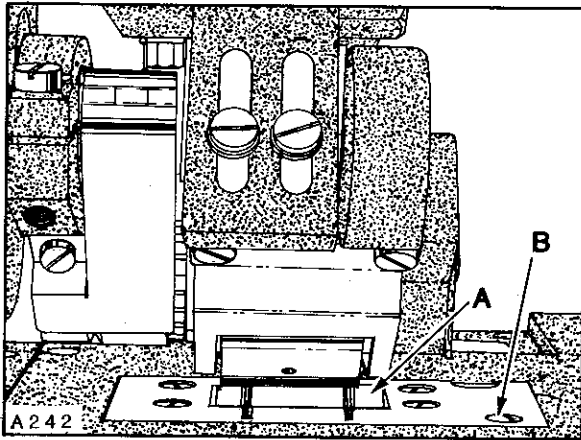


Fig.34

### PULLER LIFT ADJUSTMENT

With puller in the operating position and presser foot resting on throat plate there should be 1/32 inch (.8mm) between puller lifter link (A, Fig. 35) and puller lifting pin (B). If adjustment is required loosen screw (C) in upper presser foot lifting shaft connection and raise or lower link (A) as required. Tighten connection screw (C) securely..

**NOTE:** When presser foot starts to lift, puller must lift at the same time.

For sewing operations not requiring puller action the machine can be run with puller raised off the material by turning the manual lock-up pin (D) up to position under stop collar (E). If the puller has insufficient clearance to clear material, stop collar (E) can be raised or lowered on tension shaft (F) to suit. Adjust puller tension regulator (G) so it exerts only enough pressure on puller to feed work. Turning regulator clockwise to increase the pressure, counterclockwise acts the reverse. If material does not pull straight through behind presser foot turn stitch regulator knob until material is straight.

### PULLER STITCH LENGTH (Continued)

belt guard. It may be necessary to reposition sprockets (B and C) slightly (left and right). Pull down firmly on puller assembly, making sure puller roller is setting evenly on lower roller and tighten two screws (A) securely. The roller puller belt which is located under hinged belt guard (D) should have 1/8 inch (3.2mm) deflection when pressing firmly between drive shaft sprocket and drive sprocket. If adjustment is required loosen two allen screws (A, Fig. 33) and turn eccentric shaft (B) slightly to apply tension on belt. Turning shaft clockwise tightens belt, counterclockwise acts the reverse. **CAUTION:** Care must be taken not to disturb eccentric shaft (left or right). Tighten two screws (A) securely.

### IDLER ROLLER

Puller Roller must be set evenly on Idler Roller (A, Fig. 34) to ensure that the material will be pulled straight through the sewing area. Adjustment for feeding can be made by shimming Idler Roller if necessary to achieve even mating. To shim roller remove one screw (B, Fig. 34) securing roller assembly. Remove Idler Roller Assembly and add shims as necessary between plate and bearing blocks to ensure mating between Puller Roller and Idler Roller.

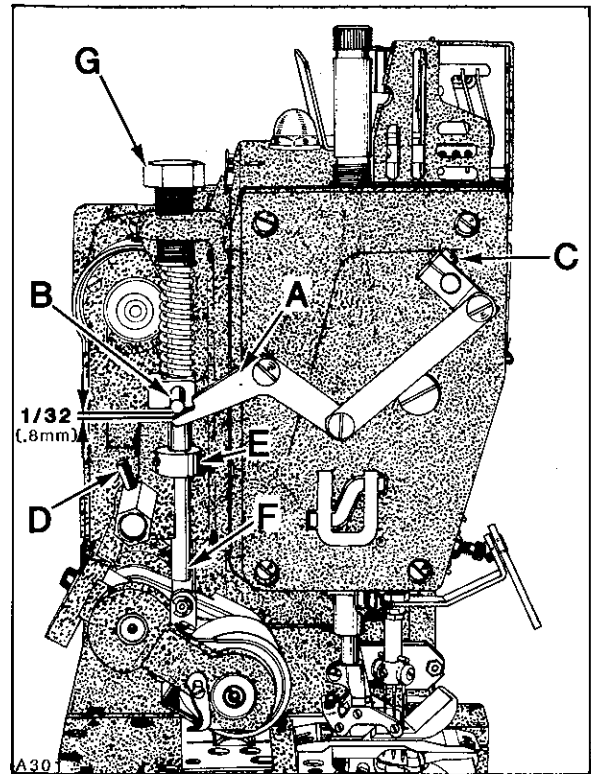


Fig.35

## PULLER SPROCKETS COMBINATIONS

This chart shows the stitch length produced by available sprocket combinations. Sprockets furnished in the machines produces approximately 9.2 S.P.I. If a different length is required, refer to the chart for appropriate dash number when ordering sprockets-C50042-Z-( ).

### Roller Puller Sprocket Variations

NUMBER OF STITCHES PER INCH										
<b>DRIVEN SPROCKET PART NUMBER</b>	-18	14.69 SPI (1.73mm)	13.37 SPI (1.90mm)	12.25 SPI (2.07mm)	11.30 SPI (2.25mm)	10.50 SPI (2.42mm)	9.80 SPI (2.59mm)	9.18 SPI (2.77mm)	8.65 SPI (2.94mm)	
	-17,	13.87 SPI (1.83mm)	12.62 SPI (2.01mm)	11.56 SPI (2.20mm)	10.67 SPI (2.38mm)	9.91 SPI (2.56mm)	9.25 SPI (2.75mm)	8.67 SPI (2.93mm)	8.16 SPI (3.11mm)	7.71 SPI (3.30mm)
	-16,	13.06 SPI (1.94mm)	11.88 SPI (2.13mm)	10.89 SPI (2.53mm)	10.05 SPI (2.53mm)	9.34 SPI (2.72mm)	8.71 SPI (2.92mm)	8.16 SPI (3.11mm)	7.69 SPI (3.30mm)	7.26 SPI (3.50mm)
	-15,		11.14 SPI (2.28mm)	10.21 SPI (2.49mm)	9.42 SPI (2.70mm)	8.75 SPI (2.90mm)	8.16 SPI (3.11mm)	7.65 SPI (3.32mm)	7.21 SPI (3.52mm)	6.80 SPI (3.73mm)
	-14,			9.52 SPI (2.67mm)	8.76 SPI (2.89mm)	8.16 SPI (3.11mm)	7.62 SPI (3.33mm)	7.14 SPI (3.56mm)	6.72 SPI (3.78mm)	6.35 SPI (4.00mm)
	-13,				8.16 SPI (3.11mm)	7.59 SPI (3.35 mm)	7.08 SPI (3.59mm)	6.63 SPI (3.83mm)	6.25 SPI (4.07mm)	5.90 SPI (4.31mm)
	-12,					7.00 SPI (3.63mm)	6.53 SPI (3.89mm)	6.12 SPI (4.15mm)	5.76 SPI (4.41mm)	5.44 SPI (4.67mm)
	-11,						5.98 SPI (4.24mm)	5.61 SPI (4.53mm)	5.28 SPI (4.81mm)	4.99 SPI (5.09mm)
	-10,							5.10 SPI (4.98mm)	4.81 SPI (5.28mm)	4.54 SPI (5.60mm)
		C50042-Z-10,	-11,	-12,	-13,	-14,	-15,	-16,	-17,	-18
		<b>DRIVE SPROCKET PART NUMBER</b>								

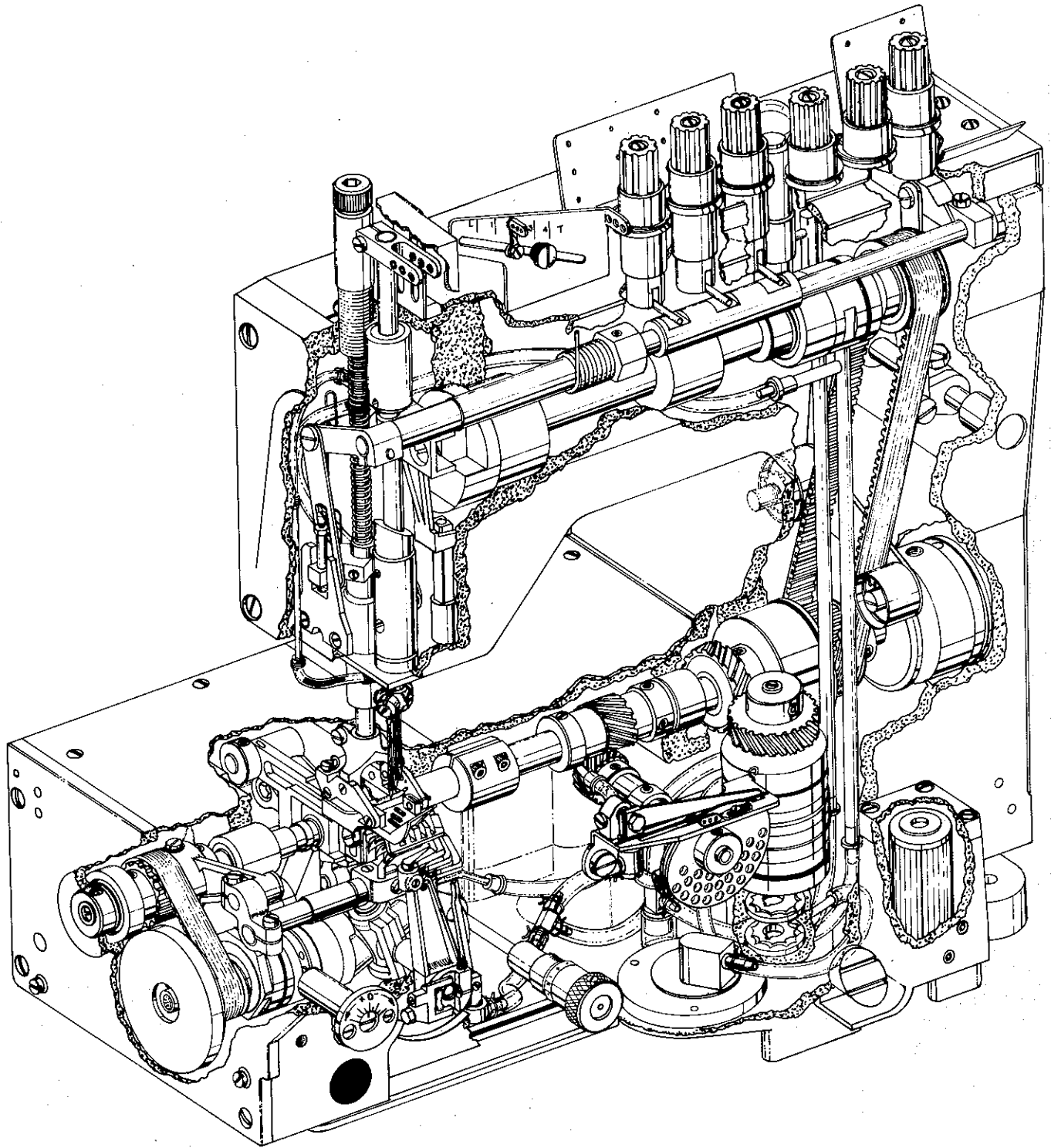
A304

## GENERAL PREVENTIVE MAINTENANCE SCHEDULE

LF600 TASK	DAILY	AFTER FIRST MONTH	EVERY MONTH	EVERY -3- MONTHS	EVERY -6- MONTHS	YEARLY
Check oil level (sight gauge) oil level between red lines.	LF600					
Check pump operation (oil flow indicator-top of arm)	LF600					
Clean lint and dirt from machine	LF600					
Check that all guards and shields are in place and being used	LF600					
Change oil-filter (housed-on machine bottom cover)		LF600		LF600		
Change oil (oil which conforms to U.S.C. spec 175 must be used)		LF600			LF600	
Clean lint and dirt from suction screen (inside bottom cover)						LF600
Check tension on internal timing belts		LF600			LF600	
Inspect clutch/ position motor, V-belt, tension and wear					LF600	
Check clutch motor clutch/brake adjustment				LF600		
Clean lint from clutch/positioner motor air passages		LF600	LF600			
Check needles bent, blunt, sharp or worn eye or groove	LF600					

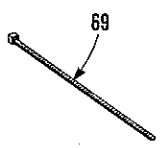
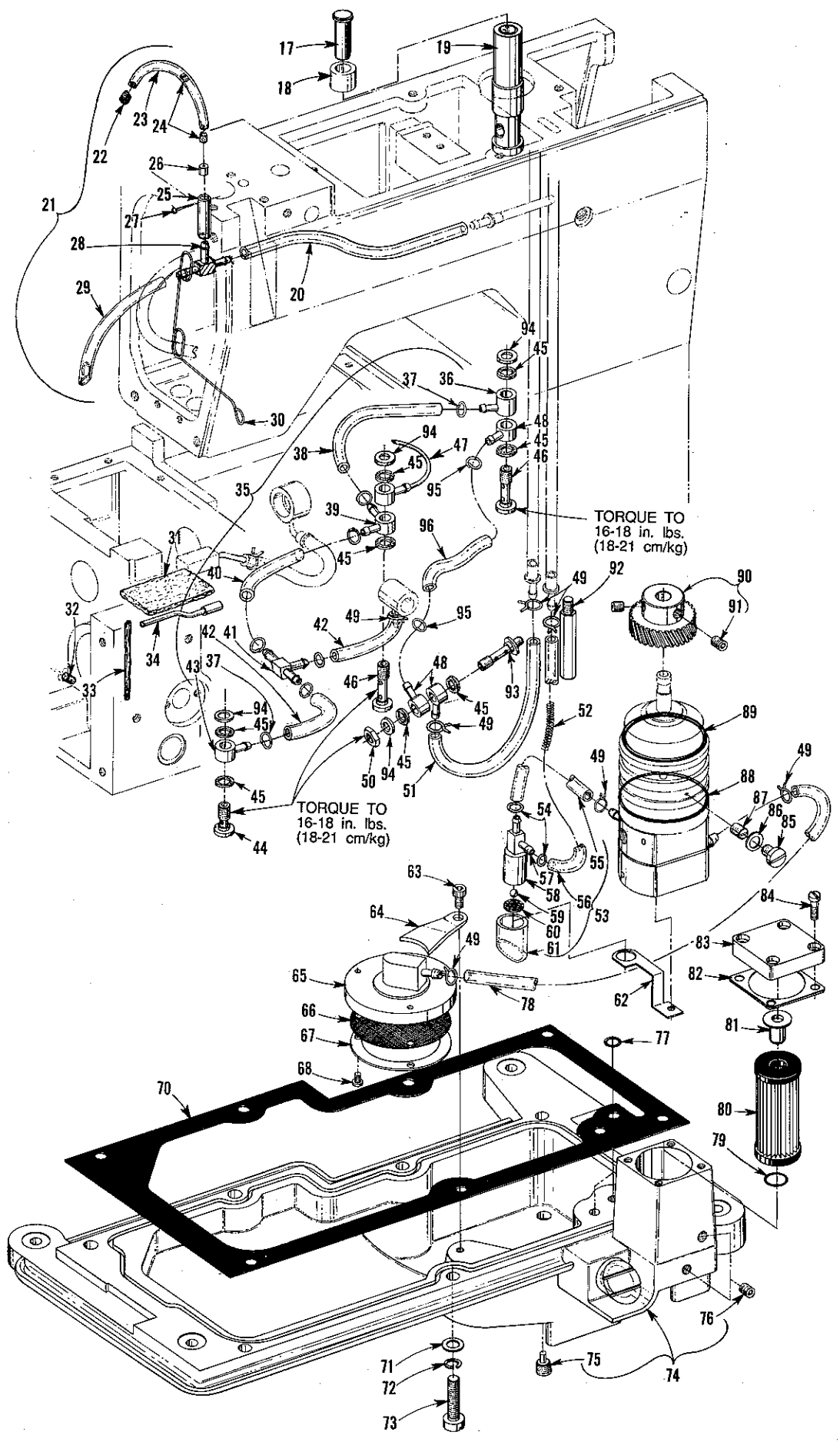
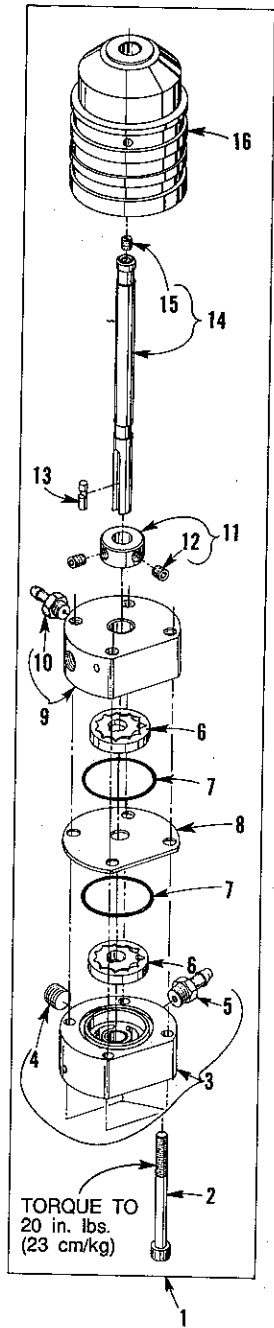
NOTE: SCHEDULING IS BASED ON NORMAL WORKING CONDITIONS FREQUENCY OF TASKS DEPENDS ON MACHINE DUTY CYCLE TIME AND PERSONNEL RESPONSIBLE TO PERFORM TASK  
DETERMINED BY PLANT MANAGEMENT





P 191

**EXPLODED VIEWS  
AND  
DESCRIPTION OF PARTS**

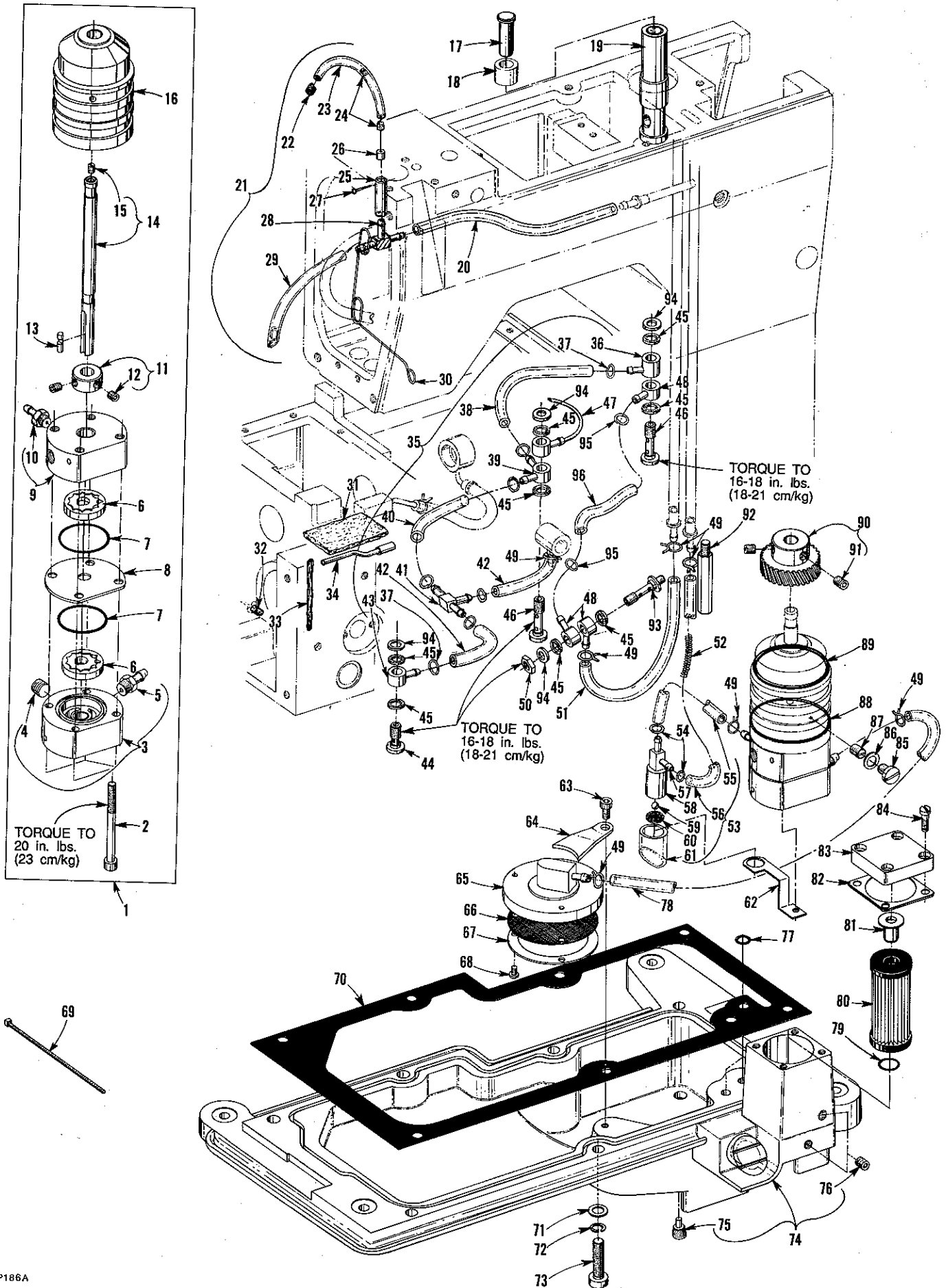


OIL PUMP, PAN AND LUBRICATION PARTS

Ref. No.	Part No.	Description	Amt. Req.
1	50393 CB	Oil Pump Assembly	1
2	22653 B-36	Screw	4
3	50393 CD	Housing, pump (pressure side)	1
4	22571 F	Screw, plug	1
5	50394 X	Connector, tube	1
6	C50093 U	Gerotor, 1/4 inch (6.4mm) thick	2
7	660-684	"O" Ring	2
8	50393 CE	Divider, housing	1
9	50393 CC	Housing, pump (syphon side)	1
10	50394 X	Connector, tube	1
11	35036 X	Collar, (positioning and thrust)	1
12	22894 C	Screw	2
13	C50093 Z	Pin, drive	1
14	50393 D	Shaft, drive	1
15	89	Screw	1
16	50393 C	Bushing, oil delivery	1
17	50393 CP	Cap, oil indicator	1
18	50393 CR	Sleeve, oil indicator	1
19	50393 CN	Indicator, oil (priority metering valve)	1
20	50393 AX	Tube, oil return	1
21	50393 DC	Head Oil Return Assembly	1
22	50393 CS	Spring, tube retainer	1
23	50393 CU	Tube, oil return	1
24	666-322	Felt	2
25	50393 AY	Tube, oil	1
26	50393 BB	Restrictor	1
27	PI-18	Pin	1
28	671 F-41	Tee, union	1
29	50393 CY	Tube, oil return	1
30	50393 V	Retainer, wire (oil tube)	1
31	660-310	Felt, oil return	1
32	C50094 AK	Plug, felt, oil return	1
33	WO-3	Yarn, Columbia, rear needle guard bushing (8 strands)	1
34	50394 G	Tube, oil (looper rocker)	1
35	50393 DJ	Oil Tube Assembly	1
36	50394 K	Connector, oil (single feed)	1
37	RI-37	Ring, wire	7
38	35093 BL	Tube, oil	1
39	C50094 B	Connector, oil (double feed)	1
40	C50094 AH	Tube, oil	1
41	671 F-41	Tee, union	1
42	C50094 P	Tube, oil	2
43	C50094 C	Connector, oil (single feed)	1
44	22720 A	Screw, oil connection	1
45	41350 X	Washer, fiber	8
46	35094 A	Screw, oil connection	2
47	50394 L	Tube, oil, complete (take-up gear)	1
48	C50094 C	Connector, oil (single feed)	3

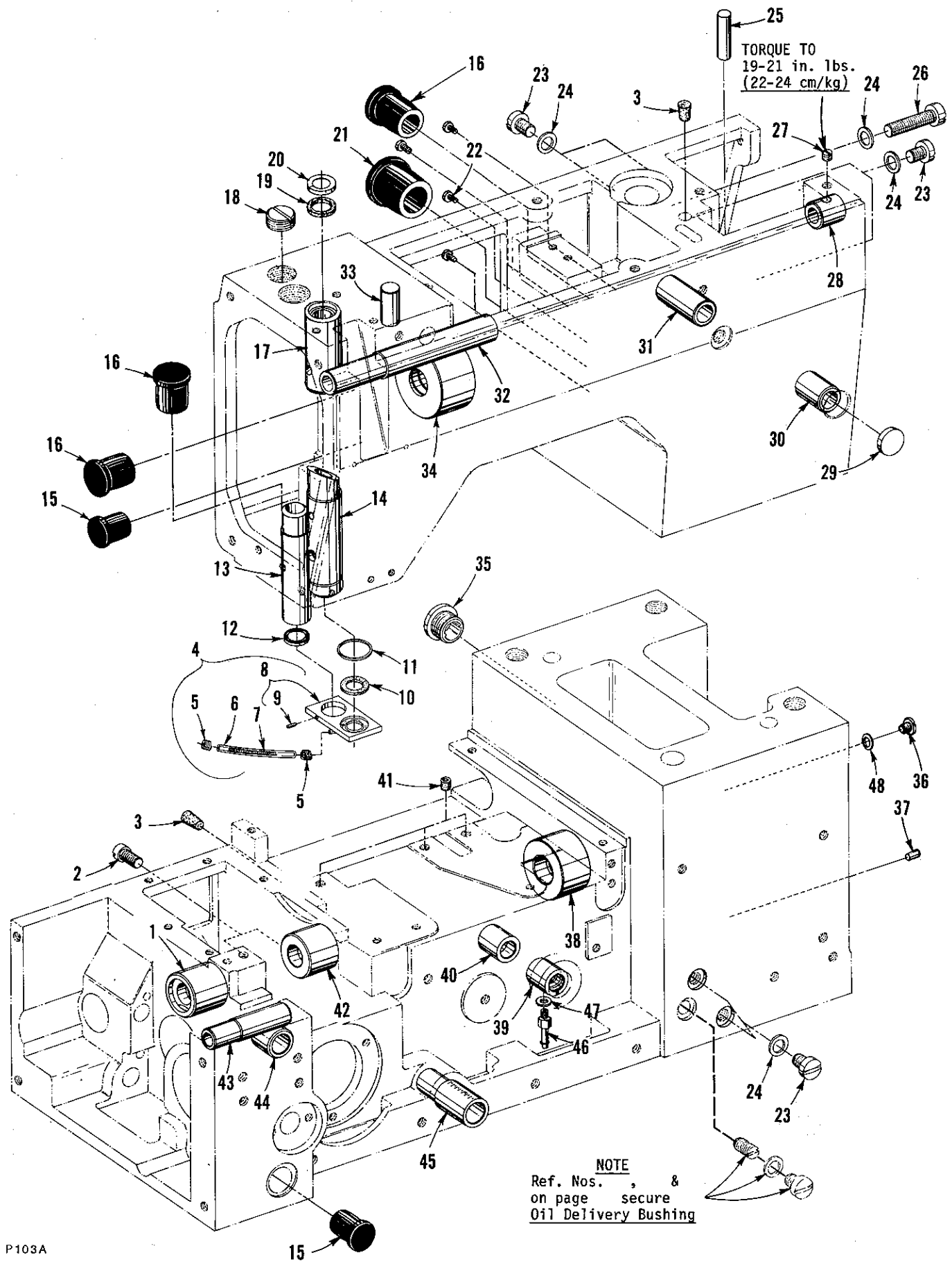
49 thru 96

See Following Page



OIL PUMP, PAN AND LUBRICATION PARTS

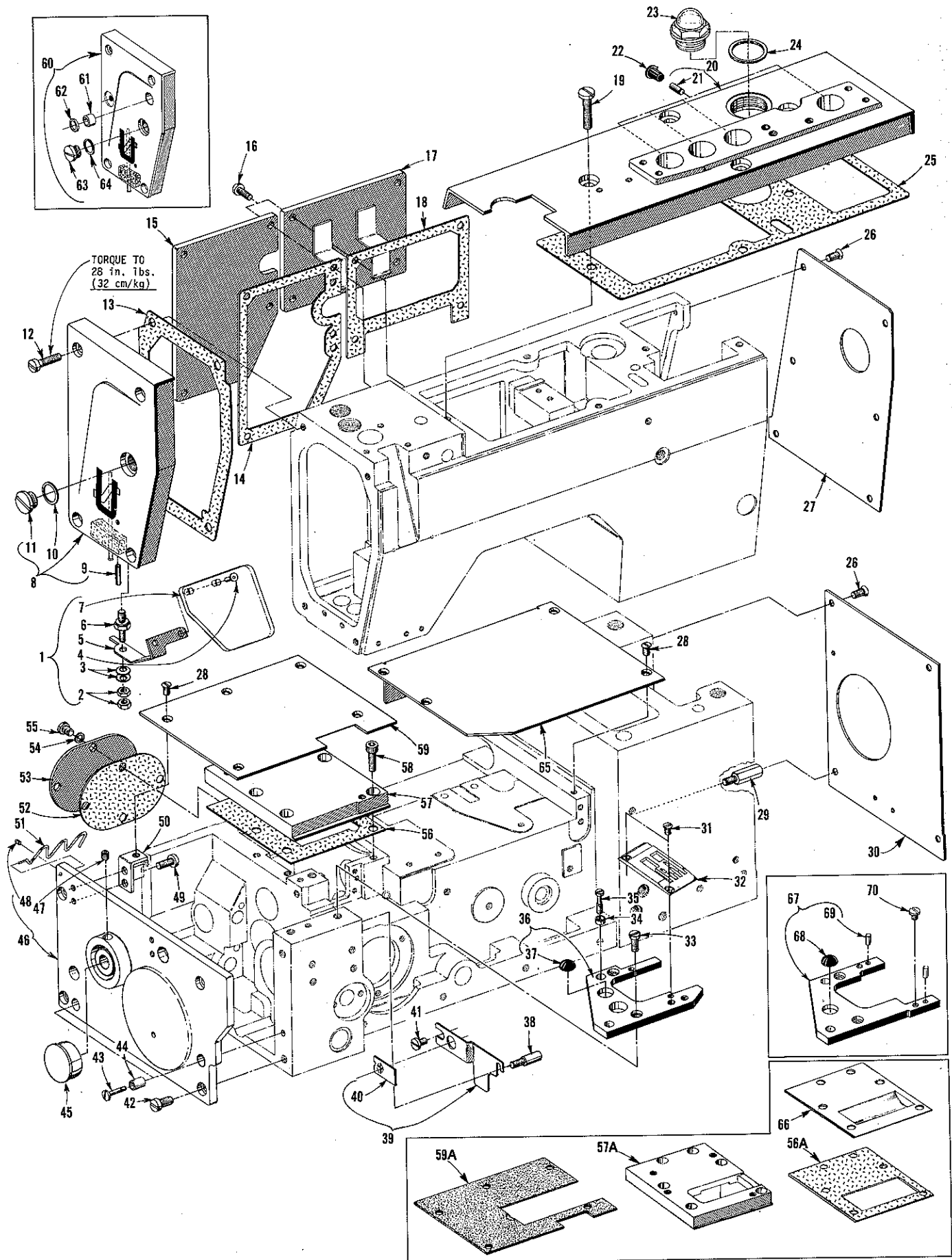
Ref. No.	Part No.	Description	Amt. Req.
1 thru 48		See Preceding Page	
49	660-885	Clamp, oil -----	7
50	258	Nut -----	1
51	C50094 R	Tube, oil -----	1
52	56393 N	Spring -----	1
53	50393 AW	Oil Syphon Assembly -----	1
54	RI-37	Ring, wire -----	2
55	C50093 CJ	Tube, oil return -----	1
56	52393 Q	Tube, oil -----	1
57	671 F-41	Fitting, oil syphon -----	1
58	50393 AV	Manifold, oil syphon -----	1
59	28619	Ball, steel -----	1
60	50393 AU	Screen, oil filter -----	1
61	50393 BU	Extension, manifold -----	1
62	50393 BA	Bracket, manifold -----	1
63	22652 A-6	Screw -----	1
64	50393 AR	Clamp, oil screen housing -----	1
65	35093 F	Housing, screen -----	1
66	35093 H	Screen -----	1
67	35093 J	Plate, retaining -----	1
68	97	Screw -----	1
69	670 E-2	Tie, cable (to secure Ref. No. 55 to Ref. No. 93) -----	1
70	50382 BH	Gasket, oil pan -----	1
71	6042 A	Washer -----	7
72	6524-16	Washer, lock -----	7
73	820	Screw -----	7
74	50393 N	Pan, oil -----	1
75	22571 E	Screw, oil drain plug (magnetic) -----	1
76	22571 J	Screw, plug -----	2
77	999-211 E	"O" Ring -----	2
78	C50094 Y	Tube, oil -----	1
79	660-206	"O" Ring -----	1
80	C50093 CA	Filter, oil -----	1
81	C50093 CB	By-Pass, oil filter -----	1
82	50393 DM	Gasket -----	1
83	C50093 F	Cover, oil filter -----	1
84	22541	Screw -----	4
85	22586 U	Screw, plug -----	1
86	41350 X	Washer, fiber -----	1
87	74 E	Screw -----	1
88	660-455	"O" Ring -----	1
89	661-51	"O" Ring -----	1
90	35039 A	Gear, driven (oil pump) -----	1
91	22894 J	Screw -----	2
92	22841 M	Stand, oil plug -----	1
93	50393 BK	Fitting, oil -----	1
94	6042 A	Washer -----	4
95	RI-37	Ring, wire -----	2
96	50394 B	Tube, oil -----	2



P103A

MAINFRAME BUSHINGS AND PLUGS

Ref. No.	Part No.	Description	Amt. Req.
1	50344 K	Bushing, lower main shaft (left)	1
2	136 A	Screw, plug	2
3	CO67 B	Plug, cork	2
4	50393 DD	Needle Bar Oil Collector Plate Assembly	1
5	50393 CS	Spring, tube retainer	2
6	50393 CV	Tube, oil return	1
7	50393 CZ	Spring	1
8	50393 CX	Plate, oil collector	1
9	22733	Screw	1
10	666-321	Felt, oil return	1
11	661-1	"O" Ring, for lower needle bar bushing	1
12	660-739	Seal, oil (presser bar bushing)	1
13	C50057 D	Bushing, presser bar	1
14	50354 E	Bushing, needle bar (lower)	1
15	C50093 CT	Plug, oil	2
16	C50093 AY	Plug, oil	3
17	50354 D	Bushing, needle bar (upper)	1
18	22539 G	Screw, plug	1
19	666-311	Screen, needle bar bushing	1
20	C50054 D	Shield, needle bar bushing	1
21	C50093 AX	Plug, oil	1
22	604	Screw, plug	4
23	22586 U	Screw, plug	6
24	41350 X	Washer, fiber	1
25	50394 S	Plug, steel	1
26	820	Screw, plug	1
27	22764 C	Screw, spot	1
28	50390 C	Bushing, presser foot lifter lever (right)	1
29	51-627 BLK.	Plug	1
30	50390 A	Bushing, presser foot lifter lever (front)	1
31	50390	Bushing, presser foot lifter lever (rear)	1
32	50390 D	Bushing, presser foot lifter lever (left)	1
33	51-794 BLK.	Plug, aluminum	1
34	50355 L	Bushing, upper mainshaft	1
35	98540	Plug, threaded	1
36	22569 F	Screw	1
37	C50093 BG	Plug, aluminum	1
38	50344 L	Bushing, lower mainshaft (right)	1
39	50344 V	Bushing, take-up shaft (front)	1
40	50344 X	Bushing, take-up shaft (rear)	1
41	22894 C	Screw, plug	3
42	50344 B	Bushing, lower mainshaft (intermediate)	1
43	50368 B	Bushing, needle guard shaft	1
44	50344 E	Bushing, looper rocker (rear)	1
45	35036 AB	Bushing, stitch control shaft	1
46	671 F-4	Fitting	1
47	RM2964-B	Gasket	1
48	50339 B	Washer, fiber	1



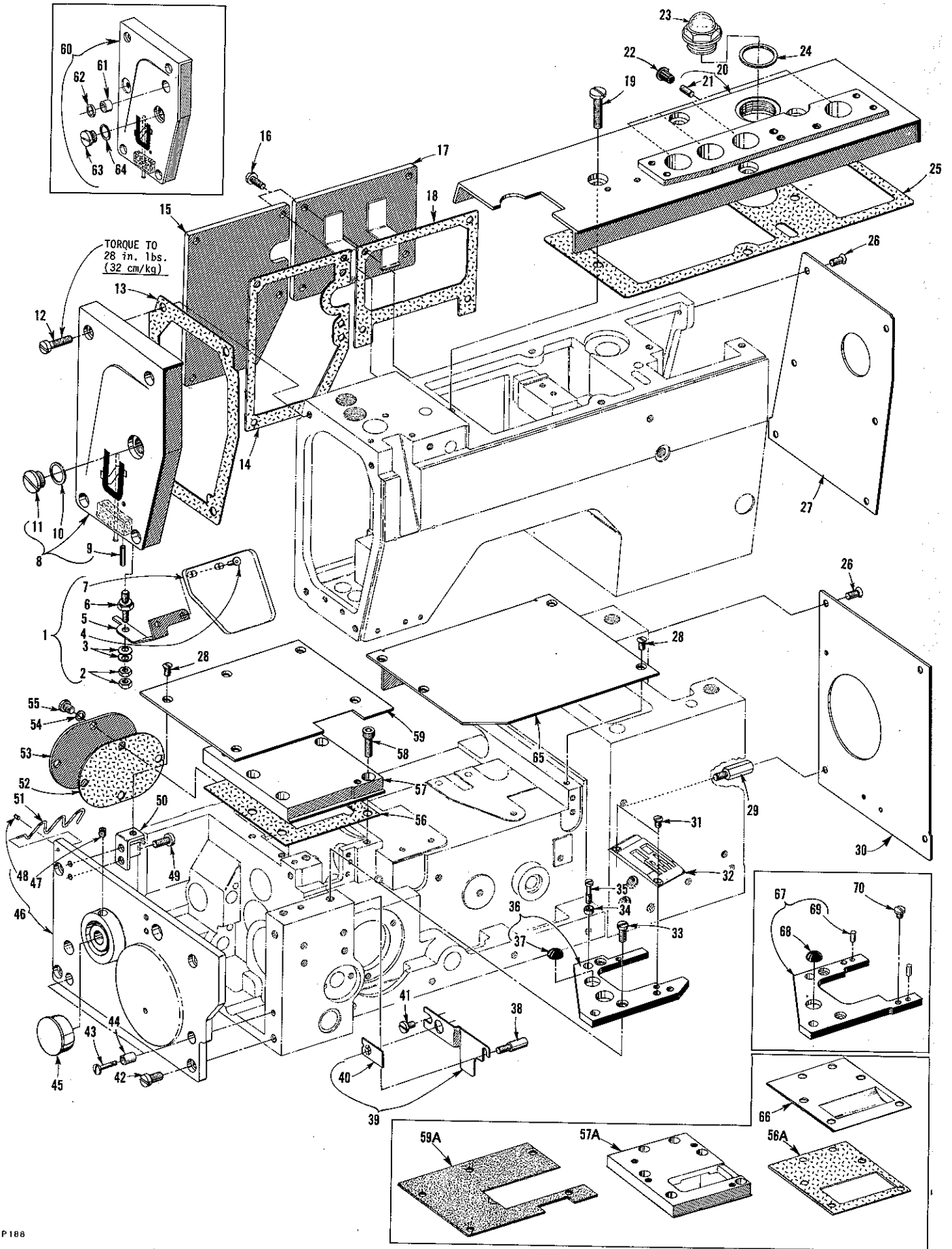


**SAFETY SHIELD, COVERS AND CLOTH PLATES**

Ref. No.	Part No.	Description	Amt. Req.
1	C50095 G	Safety Shield Assembly	1
2	12934 A	Nut	2
3	97127	Washer, spring	2
4	RM2879-2	Rivet	2
5	C50095 E	Bracket, mounting	1
6	C50095 D	Stud	1
7	C50095 F	Shield, safety	1
8	50382 BN	Cover, head, all styles except LF612K101MBE-16, LF613K101HR-8 and 101HR-9	1
9	660-219 A	Pin, roll (stop)	1
10	C50082 AA	Gasket	1
11	22883 B	Screw, plug	1
12	22541 C	Screw	4
13	C50082 AW	Gasket	1
14	C50082 K	Gasket	1
15	C50082 V	Cover, head (left rear) for all styles except LF612K101MBE-16, LF613K101HR-8, and 101HR-9	1
16	22569 M	Screw	9
17	C50082 M	Cover, head (right rear) for all styles except LF612K101MBE-16, LF613K101HR-8, and 101HR-9	1
18	C50082 N	Gasket	1
19	22861 C	Screw	4
20	50382 K	Cover, top	1
21	22894 J	Screw	4
22	50394 J	Plug	4
23	C50093 AU	Cap, oil filter	1
24	C50082 X	Gasket	1
25	50382 F	Gasket	1
26	22526 H	Screw	10
27	50382 J	Cover	1
28	22525 E	Screw	9
29	22841 N	Screw, adapter	1
30	50382 H	Cover	1
31	87	Screw, for style LF612K101MBE-16	2
32	-----	Throat Plate, see "Sewing Combinations"	1
33	22839	Screw	2
34	35036 AE	Ferrule, locating	2
35	22587 N	Screw	2
36	50380	Support, throat plate, for Style LF612K101MBE-16	1
37	660-939	Bumper, rubber	1
38	22799 AH	Stud, latch spring	1
39	50393 U	Shield, lint	1
40	50393 AS	Gromment, rubber	1
41	22569 D	Screw	1
42	22517	Screw	4
43	22541 A	Screw	2
44	50336 L	Ferrule, locating (end cover)	2
45	999-216 C	Plug, plastic	1

46 thru 70

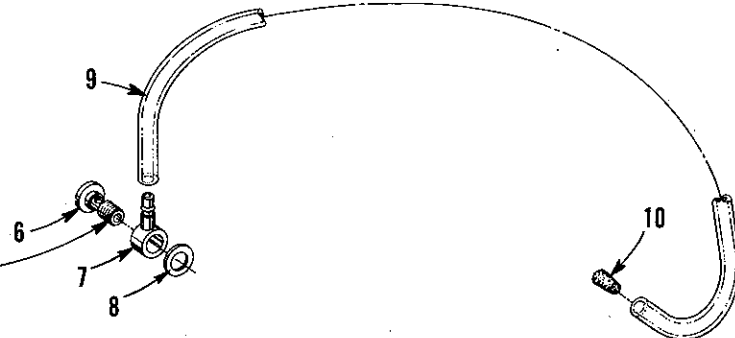
See Following Page



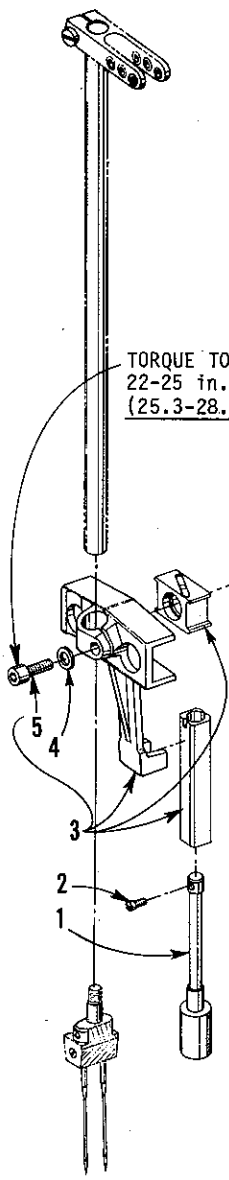
**SAFETY SHIELD, COVERS AND CLOTH PLATES**

Ref. No.	Part No.	Description	Amt. Req.
1	Thru 45	See Preceding Page	
46	50382 A	Cover, end -----	1
47	22894 C	Screw (bearing) -----	2
48	22571 H	Screw -----	1
49	93	Screw, all styles except LF612K112HJ-16, 112HJ-18, LF613K112HR-8 and 112HR-9 -----	4
-	93	Screw, for styles LF612K112HJ-16, 112HJ-18, LF613K112HR-8 and 112HR-9 -----	2
50	50301 B	Support, cloth plate, all styles except LF612K112HJ-16 112HJ-18, LF613K112HR-8 and 112HR-9 -----	2
-	50301 B	Support, clothplate, for styles LF612K112HJ-16, 112HJ-18, LF613K112HR-8 and 112HR-9 -----	1
51	50394 Y	Wire -----	1
52	35082 F	Gasket -----	1
53	35082 E	Cover, feed chamber (rear) -----	1
54	50339 B	Washer, fiber -----	4
55	22569 D	Screw -----	4
56	50382 BT	Gasket, for all styles except LF612K101MBE-16, LF613K101HR-8 and 101HR-9 -----	1
56A	50382 U	Gasket for styles LF612K101MBE-16, LF613K101HR-8, and 101HR-9 -----	1
57	50382 EA	Cover, feed chamber (top) for styles LF612K100HB-1, HC-1, HJ-16, HJ-18, HR-18, MP-12, MP-16, MX-24, LF613K100HJ-8, HJ-9, HR-8, and HR-9 -----	1
57A	50382 V	Cover, feed chamber (top) for styles LF612K101MBE-16, LF613K101HR-8, and 101HR-9 -----	1
58	22653 B-8	Screw -----	6
59	50301 R	Plate, cloth (left) for styles LF612K100HB-1, HC-1, HJ-16, HJ-18, HR-18, MP-12, MP-16, MX-24, LF613K100HJ-8, HJ-9, HR-8, and HR-9 -----	1
59A	50301 AD	Plate, cloth (left) for style LF612K101MBE-16 -----	1
-	50301 AE	Plate, cloth (left) for styles LF613K101HR-8 and 101HR-9 -----	1
60	50382 BM	Cover, head, for styles LF612K101MBE-16, LF613K101HR-8 and 101HR-9 -----	1
61	660-896	Bushing -----	1
62	660-739	Seal, oil -----	1
63	22883 B	Screw, plug -----	1
64	C50082 AA	Gasket -----	1
65	50301	Plate, cloth (right) -----	1
66	37-70 BLK.	Trough, blank, for styles LF612K101MBE-16, LF613K101HR-8, and 101HR-9 -----	1
67	50380 D	Support, Throatplate, for all styles except LF612K101MBE-16 -----	1
68	660-939	Bumper, rubber -----	1
69	51280 K	Pin, dowel -----	2
70	22570	Screw, for all styles except LF612K101MBE-16 -----	2

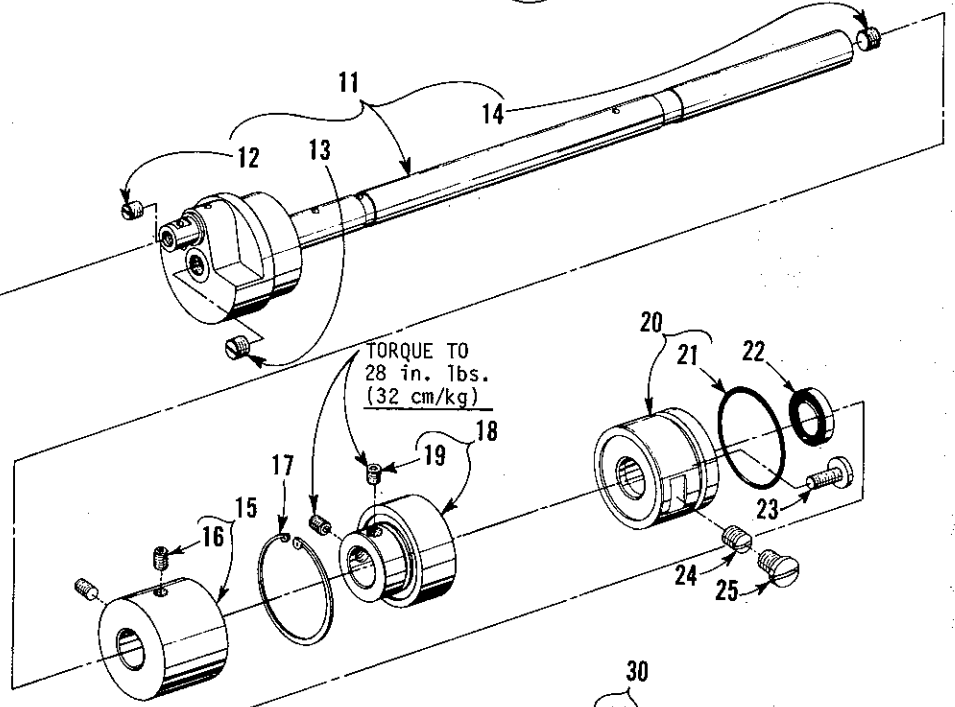
TORQUE TO  
16-18 in. lbs.  
(18-21 cm/kg)



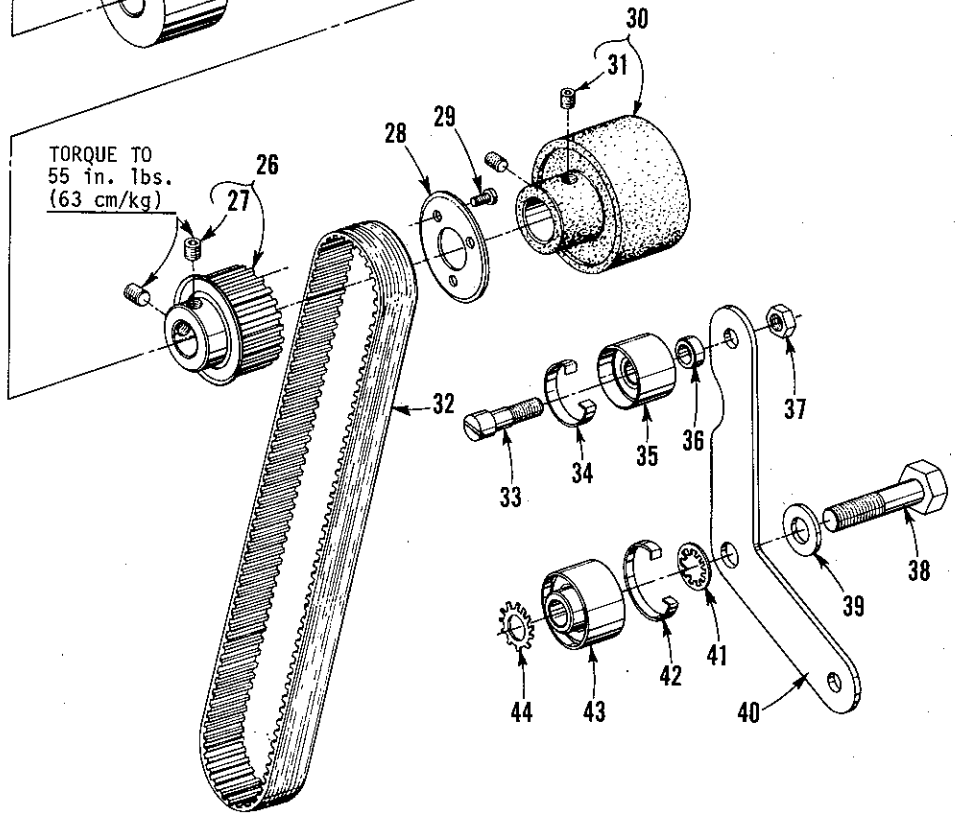
TORQUE TO  
22-25 in. lbs.  
(25.3-28.8 cm/kg)



TORQUE TO  
28 in. lbs.  
(32 cm/kg)

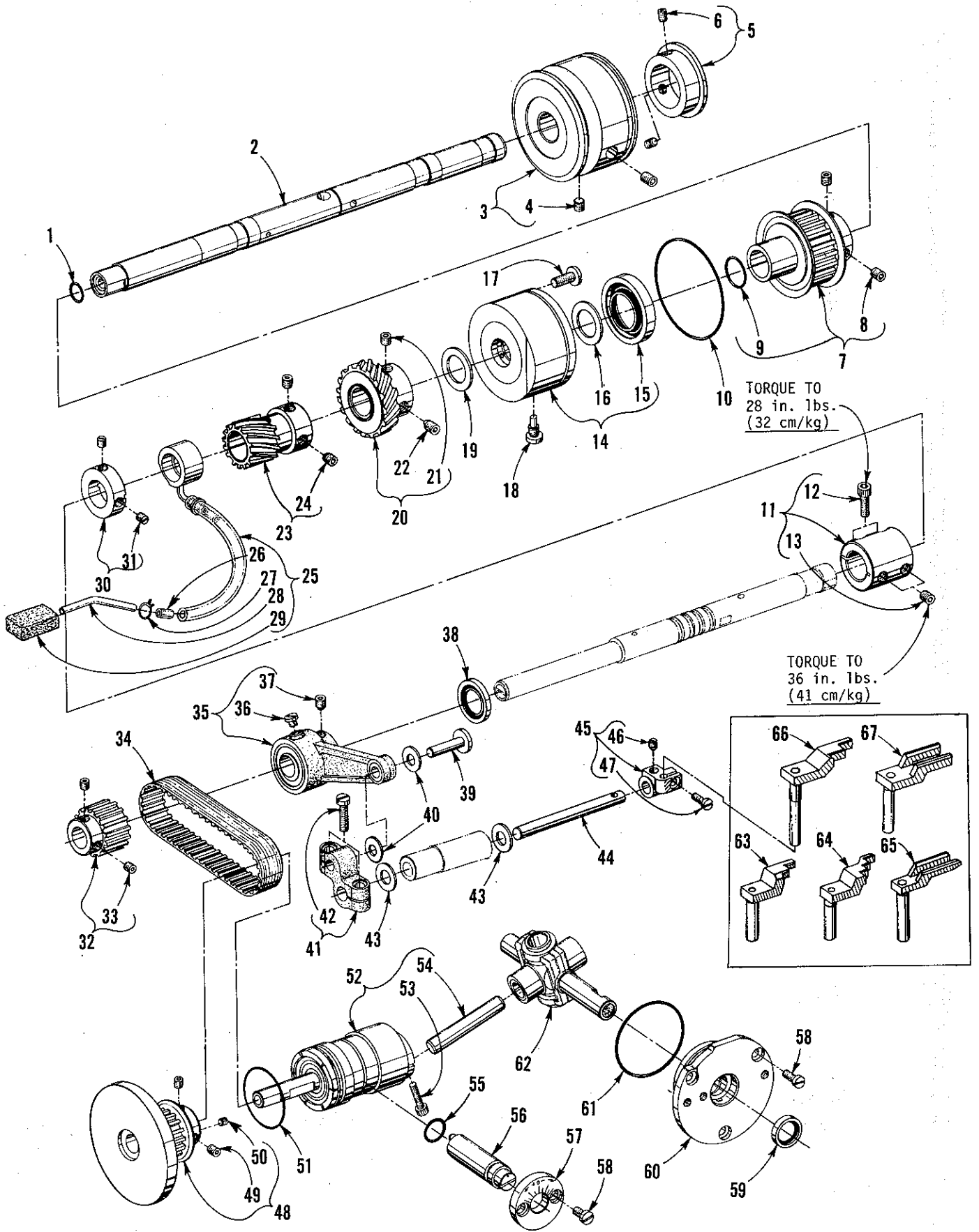


TORQUE TO  
55 in. lbs.  
(63 cm/kg)



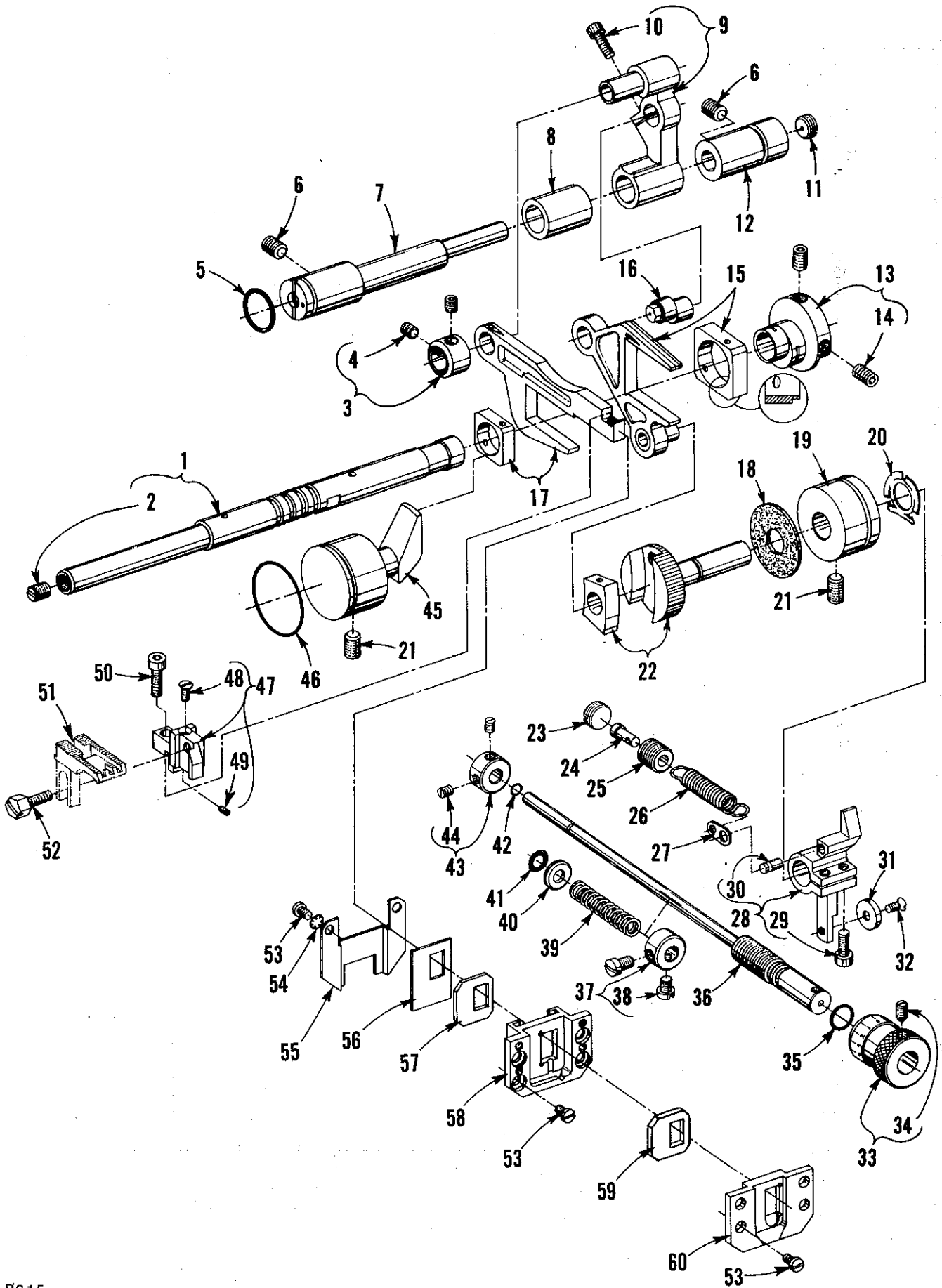
**NEEDLE DRIVE (SCOTCH YOKE) AND ASSOCIATED PARTS**

Ref. No.	Part No.	Description	Amt. Req.
1	50355 AE	Stud, support	1
2	22655 B-7	Screw	1
3	50355 H	Yoke Assembly	1
4	54249 D	Washer	1
5	22596 H	Screw	1
6	22720 C	Screw	1
7	C50094 X	Fitting, barbed	1
8	41350 X	Washer	1
9	C50093 CJ	Tube, air	1
10	CO67 D	Cork	1
11	50355 P	Scotch Yoke Assembly, all styles except LF612K100MP-12, MP-16, MX-24 and 101MBE-16	1
-	50355 T	Scotch Yoke Assembly, for styles LF612K100MP-12, MP-16, MX-24 and 101MBE-16	1
12	88 B	Screw	1
13	J80 K	Screw	1
14	22591	Screw	1
15	35091 A	Flywheel	1
16	22894 J	Screw	2
17	660-713	Ring, retaining	1
18	C50036 P	Bearing and Collar Assembly	1
19	22894 AD	Screw	2
20	35093 P	Housing, scotch yoke drive	1
21	660-708	"O" Ring	1
22	660-680	Seal, lip	1
23	25 S	Screw	2
24	C50055 H	Screw, Set	1
25	22706 C	Screw, locking	1
26	50342 AC	Sprocket, scotch yoke drive	1
27	22651 CD-4	Screw	1
28	50342 AB	Flange, sprocket	1
29	22562 A	Screw	1
30	C50021 A	Handwheel	1
31	22894 C	Screw	2
32	50342 R	Belt	1
33	50342 V	Screw, shoulder	2
34	50342 X	Fan, spring	2
35	35042 C	Roller, idler	2
36	50342 Y	Spacer	2
37	258	Nut	2
38	50342 U	Bolt	1
39	652-20	Washer	1
40	50342 W	Arm, pivot	1
41	RM2747-3	Washer, lock (internal tooth)	1
42	50342 AF	Fan, spring	1
43	50342 AD	Roller, idler	1
44	652 B-24	Washer, lock (external tooth, 1 to 4 at base)	as req.



**LOWER MAINSHAFT, LOOPER AND REAR NEEDLE GUARD DRIVE**

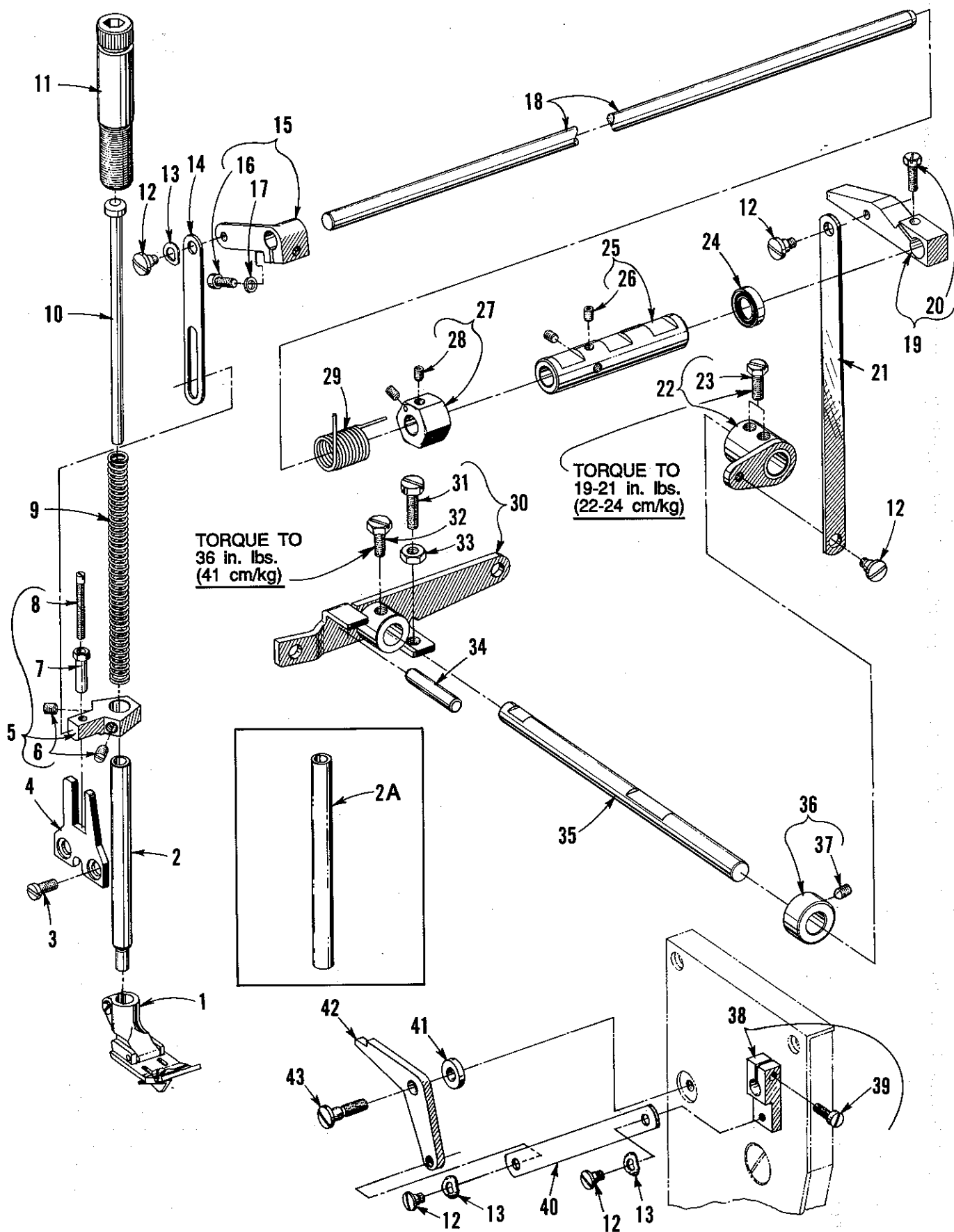
Ref. No.	Part No.	Description	Amt. Req.
1	660-220	"O" Ring	1
2	50322 AB	Mainshaft, lower (right)	1
3	35021	Pulley	1
4	22650 CD-6	Screw, set	2
5	35021 B	Guard, pulley	1
6	22894 C	Screw, set	2
7	50342 H	Sprocket, lower mainshaft (right)	1
8	22894 X	Screw	2
9	660-212	"O" Ring	1
10	660-935	"O" Ring	1
11	50343	Coupling, lower mainshaft	1
12	22652 A-8	Screw	2
13	22894 AE	Screw, set	2
14	50393 S	Housing, lower mainshaft	1
15	660-998	Seal, oil	1
16	35055 V	Washer, thrust	1
17	25 S	Screw, retaining (lower mainshaft housing)	1
18	62245 C	Stud, locating	1
19	35055 V	Washer, thrust	1
20	50339	Gear, oil pump drive (nylon)	1
21	22894 AD	Screw, set	1
22	22894 K	Screw, spot	1
23	50342 D	Gear, take-up drive	1
24	22894 C	Screw	2
25	50393 AN	Oil Syphon Pump Assembly	1
26	56393 AA	Insert, oil tube	1
27	660-885	Clamp, tube	1
28	50393 AL	Tube, brass	1
29	666-214	Felt	1
30	57847	Collar	1
31	95	Screw	2
32	50342 B	Sprocket, looper drive	1
33	22894 AD	Screw	2
34	C50042 AD	Belt, looper drive	1
35	50368 C	Connecting Rod, needle guard	1
36	22830	Screw	1
37	22894 AD	Screw	2
38	660-934	Seal, oil	1
39	50368 A	Pin, pivot	1
40	50368 E	Washer, non-metallic	2
41	50368	Connection, rear needle guard pivot	1
42	22729	Screw	2
43	6042 A	Washer, thrust	2
44	50368 F	Shaft, rear needle guard	1
45	C50025 F	Holder, needle guard	1
46	22764	Screw, spot	1
47	22562 A	Screw	1
48	50342 A	Sprocket, looper driven	1
49	22894 AD	Screw	2
50	22894 AF	Screw, set	2
51	660-979	"O" Ring	1
52	29105 AT	Looper Drive Assembly	1
53	22653 J-8	Screw	1
54	667 J-33	Crankpin	1
55	660-206	"O" Ring	1
56	50314 B	Eccentric, looper avoid adjusting	1
57	50314 A	Plate, eccentric retaining	1
58	22569 G	Screw	5
59	C50044 V	Seal, oil	1
60	50344 C	Housing, looper rocker bearing	1
61	660-455	"O" Ring	1
62	29192 AE	Rocker Assembly, looper	1
63	C50025 L	Guard, needle, for Styles LF612K100HJ-16, HJ-18, 112HJ-16, 112HJ-18, 100HR-18 and 101MBE-16	1
64	C50025 E	Guard, needle, for Styles LF613K100HJ-8, HJ-9, HR-8, HR-9, 101HR-8, 101HR-9, 112HR-8 and 112HR-9	1
65	50325 K	Guard, needle, for Style LF612K100HB-1	1
66	C50025 N	Guard, needle, for Styles LF612K100MP-12, MP-16, and MX-24	1
67	50325 H	Guard, needle, Style LF612K100HC-1	1





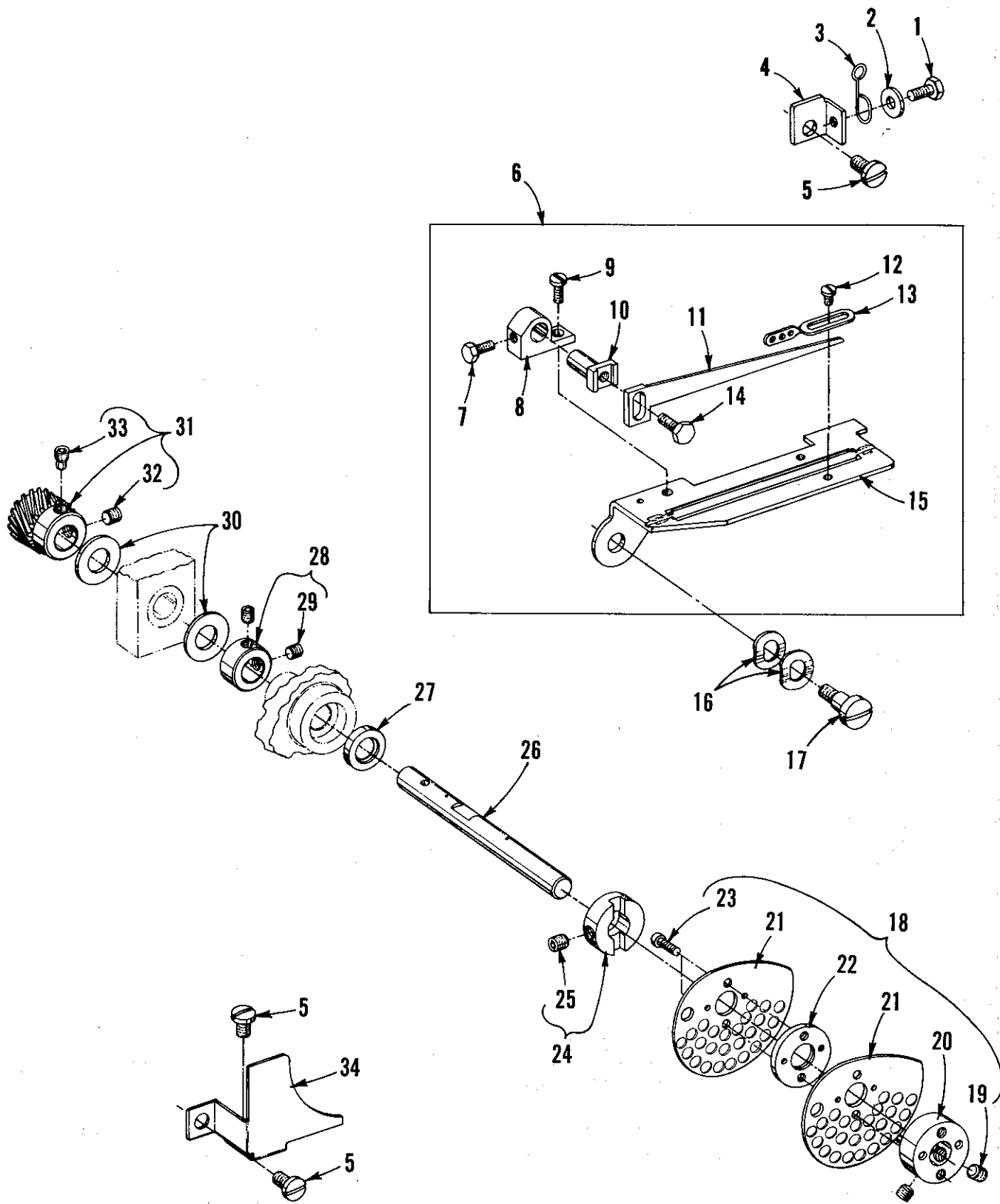
## FEED DRIVE AND STITCH REGULATING PARTS

Ref. No.	Part No.	Description	Amt. Req.
1	50322 K	Mainshaft, lower (left)	1
2	22591	Screw	1
3	50335 L	Collar, feed bar thrust	1
4	22894 C	Screw, set	2
5	999-211 C	"O" Ring	1
6	22591 A	Screw, set	1
7	35034 N	Shaft, rocker	1
8	50336 C	Spacer, rocker shaft	1
9	50334 K	Rocker, feed	1
10	22596 H	Screw	1
11	22571 D	Screw, adjusting	1
12	35034 M	Bushing, rocker shaft	1
13	35040 B-15	Eccentric, double, for Styles LF612K100MP-12, MP-16, MX-24, and 101MBE-16	1
-	35040 B-22	Eccentric, double, for Styles LF612K100HB-1, HC-1, HJ-16, HJ-18, HR-18, 112HJ-16 112HJ-18, LF613K100HJ-8, HJ-9, 101HR-8, and 101HR-9	1
-	35040 B-25	Eccentric, double, for Styles LF613K100HR-8, HR-9, 112HR-8 and 112HR-9	1
14	22894 J	Screw, set	2
15	29126 FB	Fork Assembly, driving	1
16	35034 X	Stud, eccentric	1
17	29126 EV	Feed Bar Assembly	1
18	35036 AZ	Pad, brake	1
19	35036 F	Bushing, stitch adjusting shaft	1
20	661-96	Washer, spring	1
21	22894 AB	Screw	2
22	35036 BN	Shaft Assembly, stitch adjusting	1
23	22539 V	Plug, screw	1
24	50335	Retainer, spring	1
25	22714 C	Screw, tension (feed adjusting)	1
26	50355	Spring	1
27	50335 A	Holder, spring	1
28	50336 D	Lever, stitch control	1
29	22596 H	Screw	2
30	661-35	Pin	1
31	50335 C	Cam, roller	1
32	77 K	Screw	1
33	35036 AP	Knob, stitch adjusting shaft	1
34	22764 A	Screw, spot	1
35	660-206	"O" Ring	1
36	50335 E	Shaft, stitch control	1
37	50335 Z	Collar	1
38	93 A	Screw	2
39	80620 G	Spring	1
40	9255	Washer, thrust	1
41	661-129	"O" Ring	1
42	660-980	"O" Ring	1
43	50335 D	Collar, stitch length stop	1
44	22560 B	Screw	2
45	50334 A	Guide, feed bar	1
46	660-969	"O" Ring	1
47	50334 F	Holder, feed dog	1
48	22524 B	Screw, all Styles except LF612K100HB-1, HC-1, HJ-16, HJ-18, 112HJ-16 112HJ-18 and HR-18	1
-	22637 P-32	Screw, for Styles LF612K100HB-1, HC-1, HJ-16, HJ-18, 112HJ-16, 112HJ-18 and HR-18	1
49	99277	Screw, stabilizing	1
50	22729 L	Screw	1
51	-----	Feed Dog, See "SEWING COMBINATIONS"	1
52	22519 H	Screw	1
53	22617 J-16	Screw	10
54	652 C-9	Washer	2
55	50334 Y	Baffle, rear oil	1
56	50334 W	Scraper, rear oil	1
57	50334 AA	Seal, feed bar (rear)	1
58	50334 C	Guide feed bar (rear)	1
59	50334 AB	Seal, feed bar (front)	1
60	50334 B	Guide, feed bar (front)	1



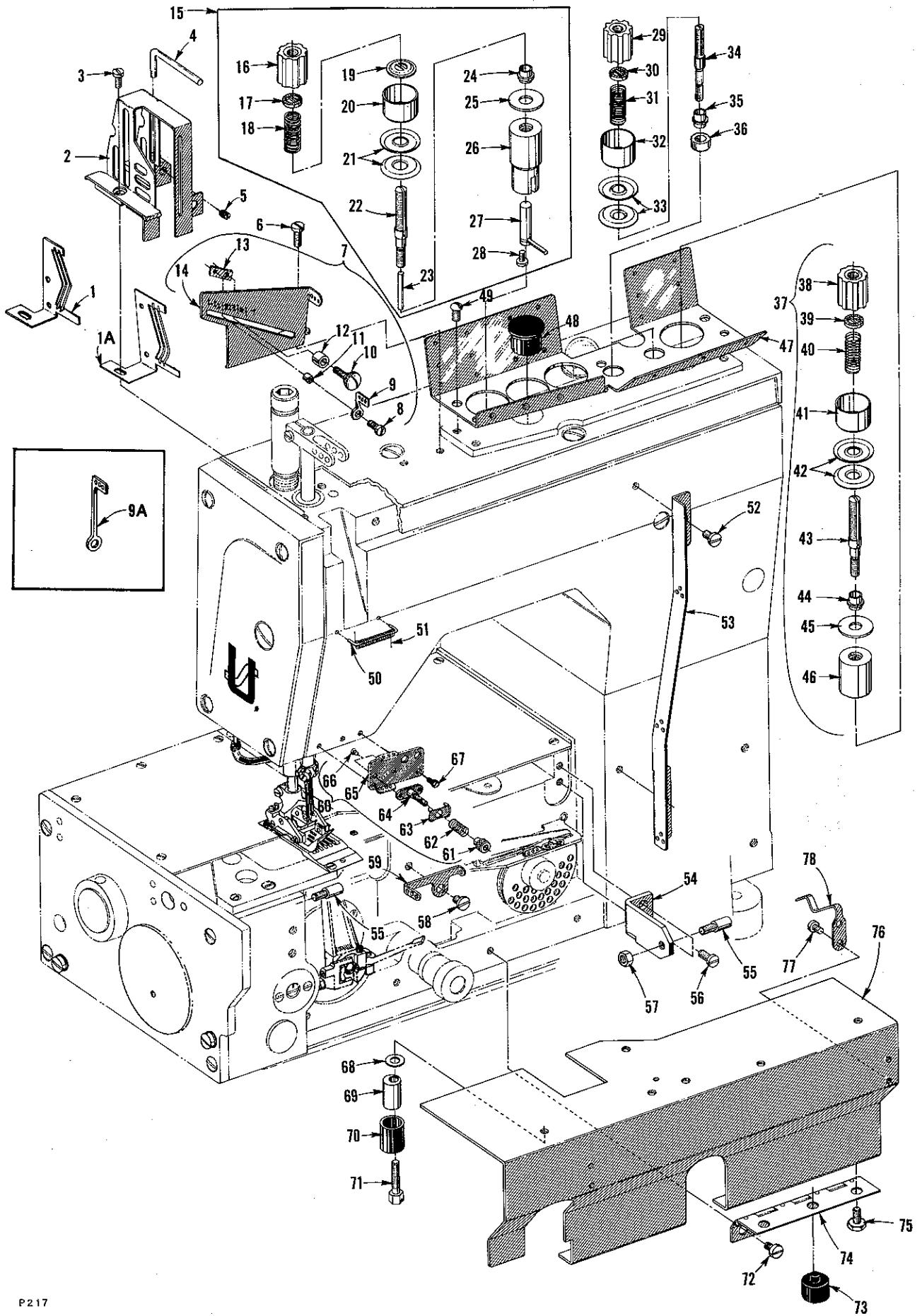
**PRESSER FOOT AND TENSION RELEASE PARTS**

Ref. No.	Part No.	Description	Amt. Req.
1	-----	Presser Foot Assembly, See "SEWING COMBINATIONS"	1
2	C50057 E	Bar, presser, for Styles LF612K100HB-1, HC-1, HR-18, MP-12, MP-16, MX-24 and 101MBE-16	1
2A	C50057 K	Bar, presser, for Styles LF612K100HJ-16, HJ-18, 112HJ-16, 112HJ-18, LF613K100HJ-8, HJ-9, HR-8, HR-9, 101HR-8, 101HR-9, 112HR-8 and 112HR-9	1
3	22569 C	Screw	2
4	C50067 K	Plate, presser bar guide	1
5	C50056 K	Guide, presser bar	1
6	531	Screw	2
7	C50056 J	Nut, lock	1
8	22840 C	Screw, adjusting	1
9	C50056 C	Spring, presser bar, for Styles LF612K100MP-12, MP-16, MX-24, 101MBE-16, LF613K100HR-8, HR-9, 112HR-8 and 112HR-9	1
-	50356 A	Spring, presser bar, for Styles LF612K100HB-1, HC-1, HJ-16, HJ-18, 112HJ-16, 112HJ-18, HR-18, LF613K100HJ-8, HJ-9, 101HR-8, and 101HR-9	1
10	C50056 B	Guide, presser bar spring	1
11	C50056 D	Regulator, presser bar spring	1
12	22758	Screw	5
13	660-718	Washer	3
14	50367 E	Link, presser foot lift	1
15	C50067 G	Lever, presser foot lift (upper left)	1
16	22596 H	Screw	1
17	51854 C	Washer	1
18	50322 B	Shaft, presser foot lift (upper) for all Styles except LF612K101MBE-16, LF613K101HR-8 and 101HR-9	1
-	50322 F	Shaft, presser foot lift (upper) for Styles LF612K101MBE-16, LF613K101HR-8 and 101HR-9	1
19	C50067 B	Lever, presser foot lift (upper right)	1
20	22519 K	Screw	1
21	50367	Connection, presser foot lift	1
22	50367 B	Lever, presser foot lift (lower)	1
23	22882	Screw	2
24	660-986	Seal, oil	1
25	50390 B	Sleeve, tension release	1
26	22894 W	Screw	2
27	C50090 M	Collar, tension release adjusting	1
28	22894 P	Screw	2
29	50390 E	Spring, tension release return	1
30	50367 A	Lever, presser foot lift (outer)	1
31	22874	Screw	1
32	22882	Screw	1
33	12934 A	Nut, locking	1
34	667 M-14	Pin, dowel (lifter lever stop)	1
35	50322 C	Shaft, presser foot lift (lower)	1
36	C50036 R	Collar, thrust	1
37	22894 L	Screw, spot	1
38	C50077 E	Lever, lifter	1
39	93	Screw	1
40	C50077 F	Link, connecting	1
41	C50078 AD	Spacer	1
42	C50077 G	Lever, lifter roller	1
43	22557 J	Screw, shoulder	1



LOOPER THREAD CAST-OFF AND DRIVING PARTS

Ref. No.	Part No.	Description	Amt. Req.
1	22781	Screw	1
2	53678 N	Washer	1
3	50332	Spring, latch	1
4	50357 A	Bracket, mounting	1
5	22569 D	Screw	3
6	50357 K	Cast-Off Support Plate Assembly	1
7	22588 S	Screw	1
8	52904 E	Bracket, retaining finger support	1
9	22768	Screw	1
10	52804 E	Support, retaining finger	1
11	50304 A	Finger, retaining	1
12	73 A	Screw	2
13	50358 H	Eyelet	2
14	22588 A	Screw	1
15	50357	Plate, cast-off support	1
16	95978	Washer, spring	2
17	50357 D	Screw, shoulder	1
18	50323	Take-up Assembly, looper thread	1
19	22894 C	Screw	2
20	50323 B	Hub	1
21	50323 L	Disc, take-up	2
22	C50077 P	Spacer	1
23	J87 J	Screw	2
24	50323 C	Collar, positioning	1
25	22894 C	Screw	1
26	50342 AN	Shaft, take-up	1
27	660-986	Seal, lip	1
28	50344 H	Collar, thrust	1
29	22894 C	Screw	2
30	54274 P	Washer, thrust	2
31	50342 AM	Gear, take-up (driven)	1
32	22894 C	Screw, set	1
33	22894 AT	Screw, spot	1
34	50357 F	Guard, take-up disc	1

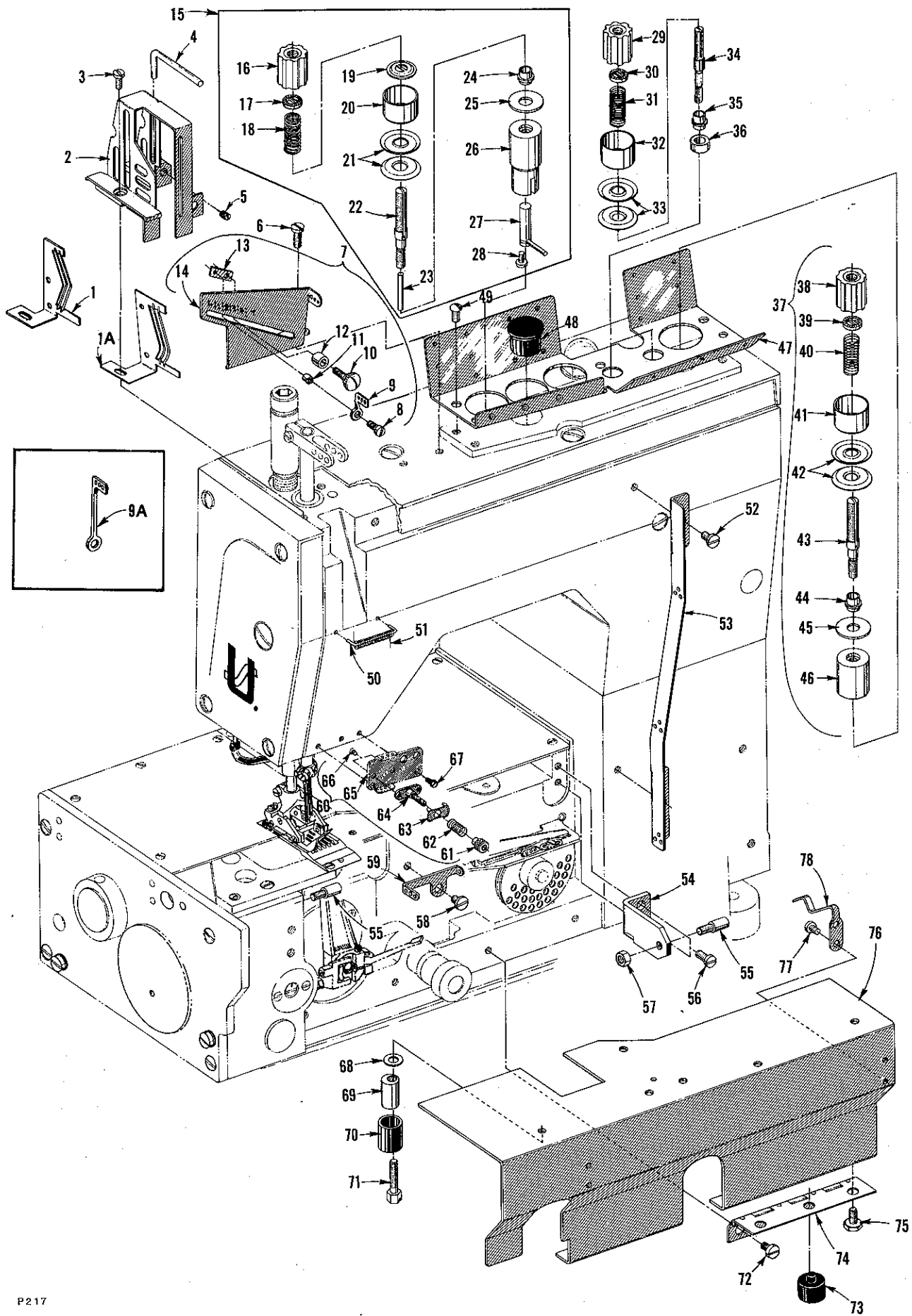


**FRONT COVER AND THREAD HANDLING PARTS**

Ref. No.	Part No.	Description	Amt. Req.
1	50358 J	Cam, needle thread take-up, for Styles LF612K100HB-1, HC-1, MP-12, MP-16, MX-24 and 101MBE-16 -----	1
1A	C50070 B	Cam, needle thread take-up, for Styles LF612K100HJ-16, HJ-18, 112HJ-16, 112HJ-18, HR-18, LF613K100HJ-8, HJ-9, HR-8, HR-9, 101HR-8, 101HR-9, 112HR-8, and 112HR-9 -----	1
2	C50054 M	Guard, needle bar eyelet -----	1
3	22569 C	Screw -----	3
4	50370 A	Wire, strike-off (needle thread) -----	1
5	531	Screw -----	1
6	22569 C	Screw -----	1
7	29476 PY	Needle Thread Control Assembly, for Styles LF612K100HB-1, HC-1, HJ-16, HJ-18, 112HJ-16, 112HJ-18, HR-18, MP-12, MP-16, MX-24, and 101MBE-16 -----	1
-	29476 PX	Needle Thread Control Assembly, for Styles LF613K100HJ-8, HJ-9, HR-8, HR-9, 101HR-8, 101HR-9, 112HR-8 and 112HR-9 --	1
8	22726 L	Screw -----	1
-	98 A	Screw for 158 A -----	1
9	50358 K	Eyelet, adjustable, for 29476 PY -----	1
9A	158 A	Eylet, adjustable, for 29476 PX -----	1
10	22837	Screw -----	1
11	56358 C	Washer, guide -----	1
12	56358 D	Spacer -----	1
13	56358 B	Block, guide -----	1
14	50304 D	Plate, needle thread control -----	1
15	29475 BW	Needle Thread Tension Assembly -----	2 or 3
16	C50092 S	Nut, thread tension -----	2 or 3
17	39592 AK	Ferrule, tension spring -----	2 or 3
18	51292 F-8	Spring, needle thread tension -----	2 or 3
19	C50092 M	Washer, tension release -----	2 or 3
20	56392 F	Shield, tension spring -----	2 or 3
21	109	Disc, tension -----	4 or 6
22	C50092 AG	Post, tension -----	2 or 3
23	C50092 J	Pin, thread tension release -----	2 or 3
24	51292 A	Ferrule, tension post -----	2 or 3
25	C50092 R	Washer -----	2 or 3
26	50392 B	Housing, tension assembly -----	2 or 3
27	C50092 G	Pin, tension release actuating -----	2 or 3
28	18-799	Screw -----	2 or 3
29	C50092 S	Nut, thread tension -----	1 or 2
30	39592 AK	Ferrule, tension spring -----	1 or 2
31	51292 F-2	Spring, looper tension -----	1 or 2
32	56392 F	Shield, tension spring -----	1 or 2
33	109	Disc, tension -----	2 or 4
34	56392 E	Post, tension, looper thread -----	1 or 2
35	51292 A	Ferrule, tension post -----	1 or 2
36	C50078 AD	Spacer, tension post -----	1 or 2

37 Thru 78

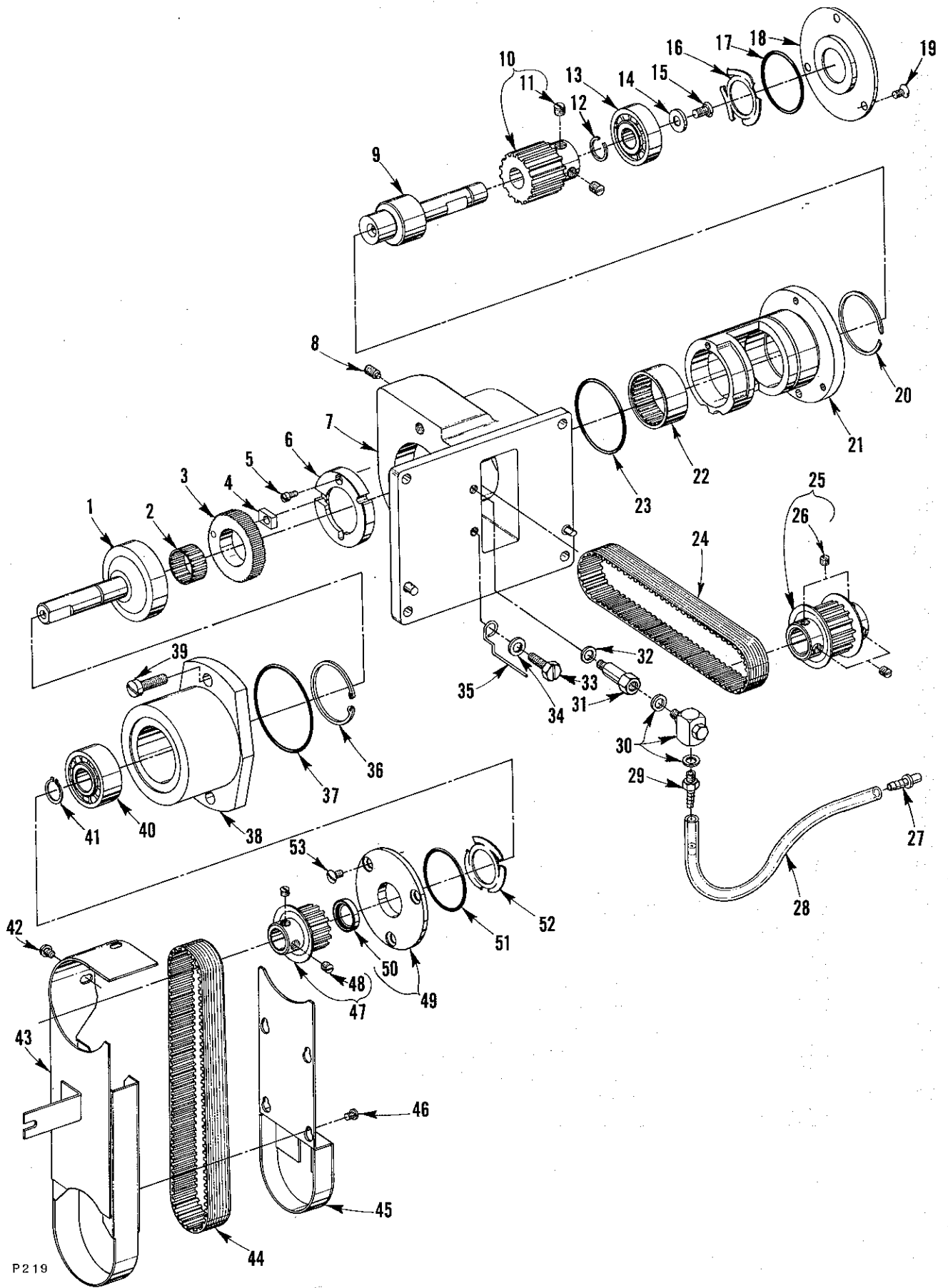
See Following Page





**FRONT COVER AND THREAD HANDLING PARTS**

Ref. No.	Part No.	Description	Amt. Req.
1 thru 36		See Preceding Page	
37	29475 BY	Looper Thread Tension Assembly -----	1
38	C50092 S	Nut, thread tension -----	1
39	39592 AK	Ferrule, tension spring -----	1
40	51292 F-2	Spring, looper thread tension -----	1
41	56392 F	Shield, tension spring -----	1
42	109	Disc, tension -----	2
43	C50092 L	Post, tension -----	1
44	51292 A	Ferrule, tension post -----	1
45	C50092 R	Washer -----	1
46	50392 H	Housing, tension assembly -----	1
47	50392 J	Guide, thread -----	1
48	C50082 AH	Plug, top cover, for Styles LF612K100HB-1, HC-1, HJ-16, HJ-18, 112HJ-16, 112HJ-18, HR-18, MP-12, MP-16, MX-24, and 101MBE-16 -----	1
49	22501 A	Screw -----	5
50	C50058 F	Wire, rubbing, needle thread -----	1
51	50378 R	Wire, thread separating -----	1
52	22569 D	Screw -----	2
53	50358	Eyelet, looper thread -----	1
54	50332 B	Bracket, support -----	1
55	22799 AH	Stud, latch spring -----	2
56	22569 C	Screw -----	2
57	35569 J	Nut -----	1
58	22569 D	Screw -----	1
59	50392 K	Eyelet, looper thread -----	1
60	29475 BV	Nipper Assembly -----	1
61	51959 D	Nut, tension -----	1
62	15438 C	Spring -----	1
63	57 WB	Plate, spring -----	1
64	C50092 U	Post, nipper base -----	1
65	C50044 T	Guide, needle thread -----	1
66	22716 A	Screw -----	2
67	605 A	Screw -----	2
68	20	Washer -----	2
69	50382 T	Stop, adjustable -----	2
70	50393 W	Bumper, rubber -----	2
71	22519 J	Screw -----	2
72	22569 D	Screw -----	4
73	660-731	Bumper, rubber -----	2
74	50378	Hinge, front cover -----	2
75	22792 A	Screw -----	4
76	50382 AA	Cover, front, for all Styles except LF612K101MBE-16 -----	1
-	50382 AR	Cover, front, for Style LF612K101MBE-16 -----	1
77	22513	Screw -----	4
78	50332 A	Spring, latch -----	2



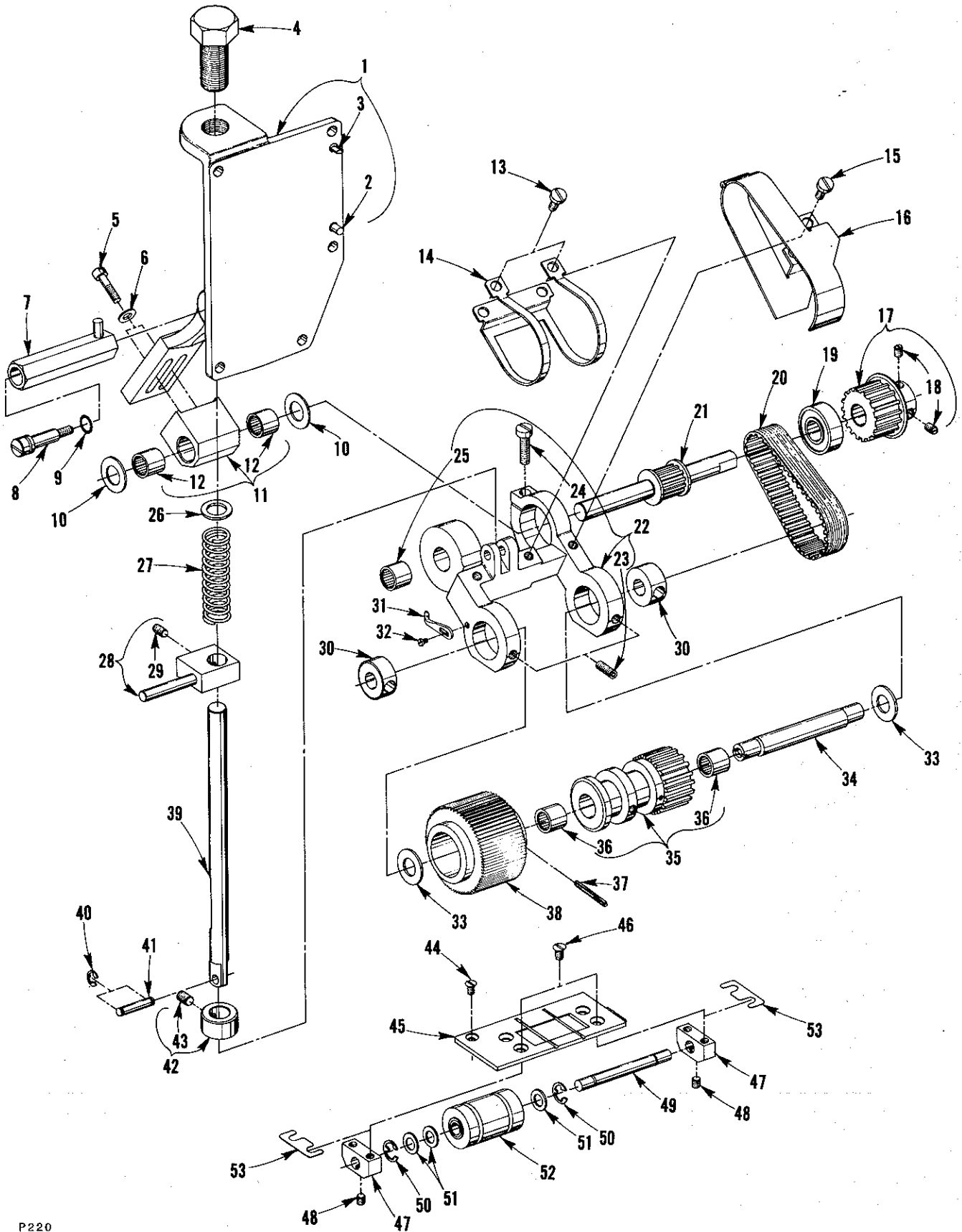
P219

**PULLER DRIVE**

(Styles LF612K101MBE-16, LF613K101HR-8 and LF613K101HR-9)

Ref. No.	Part No.	Description	Amt. Req.
1	C50078 L	Gear, internal	1
2	660-889	Bearing, cage	1
3	C50078 M	Gear	1
4	C50078 J	Block, slide	1
5	22593	Screw	1
6	C50078 N	Ring, guide	1
7	C50078 G	Housing, bearing	1
8	22894 J	Screw	1
9	C50022 L	Shaft, eccentric drive	1
10	C50042 AC-16	Sprocket	1
11	98	Screw	2
12	660-891 C	Ring, retaining	1
13	660-888	Bearing, ball	1
14	59451 F	Washer	1
15	22574 D	Screw (left hand threads)	1
16	660-914	Spring, finger	1
17	660-886 A	"O" Ring	1
18	C50082 AR	Cover	1
19	22524	Screw	3
20	661-70 A	Ring, snap	1
21	C50078 P	Housing, eccentric	1
22	660-892 C	Bearing	1
23	660-886 C	"O" Ring	1
24	C50042 AF	Belt, timing	1
25	C50042 AB-16	Sprocket	1
26	98	Screw	4
27	50394	Connector, oil tube	1
28	C50094 AG	Tube, oil	1
29	671 F-19	Connector	1
30	RM3633-1	Fitting, oil	1
31	671 F-64	Fitting, extension	1
32	RM2964 B	Washer	1
33	22824 B	Screw	1
34	53634 C	Washer	1
35	C50093 CS	Protector, tube	1
36	660-891 B	Ring, snap	1
37	660-886 B	"O" Ring	1
38	C50078 H	Housing, bearing	1
39	136	Screw	2
40	660-890	Bearing, ball	1
41	660-918	Ring, retaining	1
42	22825	Screw	3
43	21375 BX	Guard, belt	1
44	C50042 AG	Belt, timing	1
45	21375 BY	Cover	1
46	604	Screw	4
*47	C50042 Z-14	Sprocket, puller drive	1
48	22560 B	Screw	2
49	C50082 AP	Cover	1
50	660-893	Seal, lip	1
51	660-886 A	"O" Ring	1
52	660-914	Spring	1
53	22524	Screw	3

\*Sprocket listed is standard with machine. Chart on page 23 lists additional sprocket variations to obtain a different stitch length

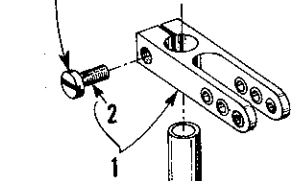
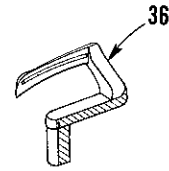
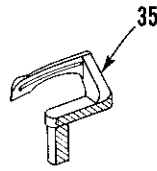
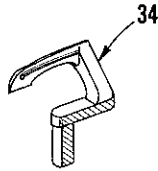
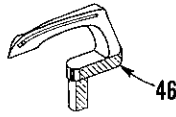
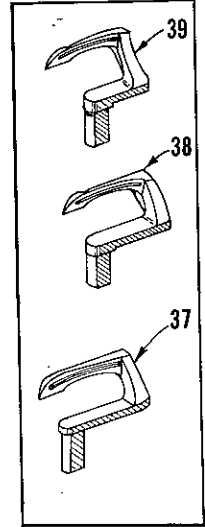
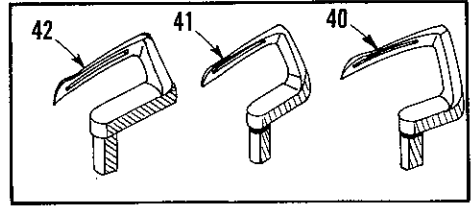
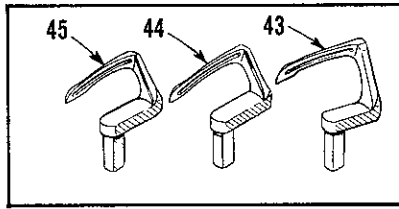


**ROLLER PULLER**

(Styles LF612K101MBE-16, LF613K101HR-8 and LF613K101HR-9)

Ref. No.	Part No.	Description	Amt. Req.
1	C50078 F	Bracket, mounting	1
2	667 C-8	Pin, dowel	1
3	51-716 BLK.	Pin, locating	1
4	C50077 D	Screw, adjusting	1
5	88 F	Screw	2
6	8372 A	Washer	2
7	C50077 C	Sleeve, stop	1
8	C50077 B	Stud, screw	1
9	660-220	"O" Ring	1
10	C50077 J	Washer	2
11	C50078 S	Block, mounting	1
12	660-892 A	Bearing, needle	2
13	94	Screw	4
14	C50078 V	Guard, feed roller	1
15	94	Screw	2
16	21375 BW	Guard, belt	1
17	C50042 Z-13	Sprocket, driven, standard with machine. Chart on page 23 lists additional sprocket variations to obtain a different stitch length	1
18	22560 B	Screw	2
19	660-887	Bearing, ball	1
20	C50042 AE	Belt, timing	1
21	C50022 K	Shaft, drive	1
22	C50078 E	Yoke, feed roller	1
23	22894 E	Screw	2
24	136	Screw	1
25	660-892 B	Bearing, needle	1
26	51242 L	Washer	1
27	28633 L	Spring	1
28	C50077H	Collar, puller lifting	1
29	22894 AM	Screw	1
30	C50078 T	Block, thrust	2
31	39656 A	Knife, chain cutting	1
32	604	Screw	1
33	C50077 K	Washer	2
34	C50022 N	Shaft, upper roller	1
35	C50042 AL	Sprocket, drive	1
36	660-892 A	Bearing, needle	2
37	660-219 L	Pin, roll	1
38	50375	Roller, upper puller (Steel Saw Tooth)	1
-	50375 B	Roller, upper puller (Bakelite Saw Tooth)	1
39	C50077	Shaft, puller lifter	1
40	660-416	Ring, retaining	2
41	C50036 AJ	Pin, roller lifter	1
42	C50036 R	Collar, stop	1
43	98	Screw, set (required to replace screw in Ref. No. 42)	1
Ref. nos. 1 through 43 can be ordered under Assembly No. 29476 PW with Bakelite Saw Tooth Roller and 29476 RB with a Steel Saw Tooth Roller.			
44	AS22 D	Screw	1
45	C50078 R	Plate, feed	1
46	22526	Screw	4
47	C50078 U	Block, bearing	2
48	22894 W	Screw	2
49	C50074	Shaft	1
50	660-330	Ring, retaining	2
51	6042 A	Washer	3
52	C50076	Roller, lower (Smooth Polyurethane)	1
-	50375 D	Roller, lower (Bakelite Saw Tooth)	1
53	C50078 AF-10	Shim	1
-	C50078 AF-15	Shim	1
Ref. Nos. 44 through 53 can be ordered under Assembly No. 29476 PV with Bakelite Saw Tooth Roller and 29476 PJ with Smooth Polyurethane Roller.			

TORQUE TO  
10-12 in. lbs.  
(12-14 cm/kg)



1

2

3

14

15

11

10

10

12

10

13

12

4

5

6

7

8

9

16

17

18

19

20

21

22

23

24

25

26

27

28

29

30

31

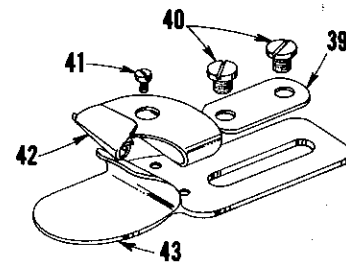
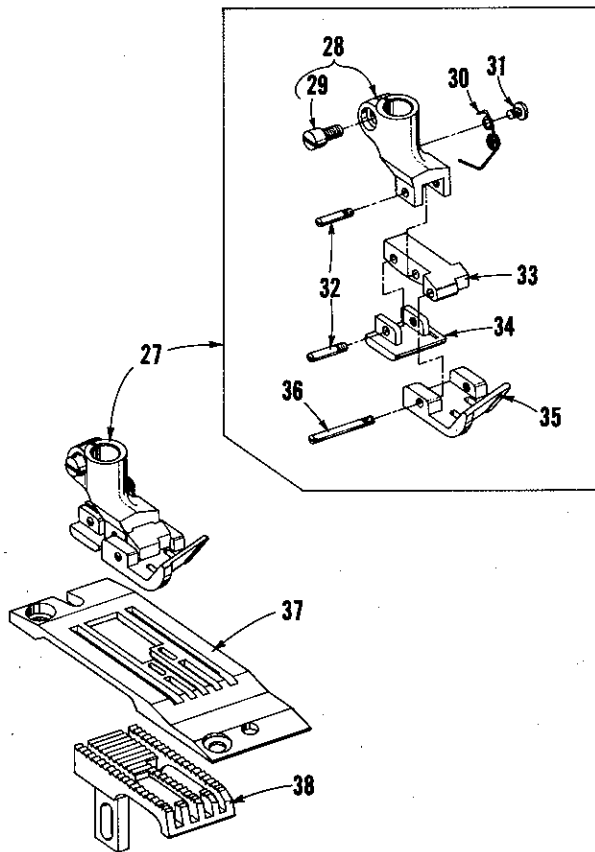
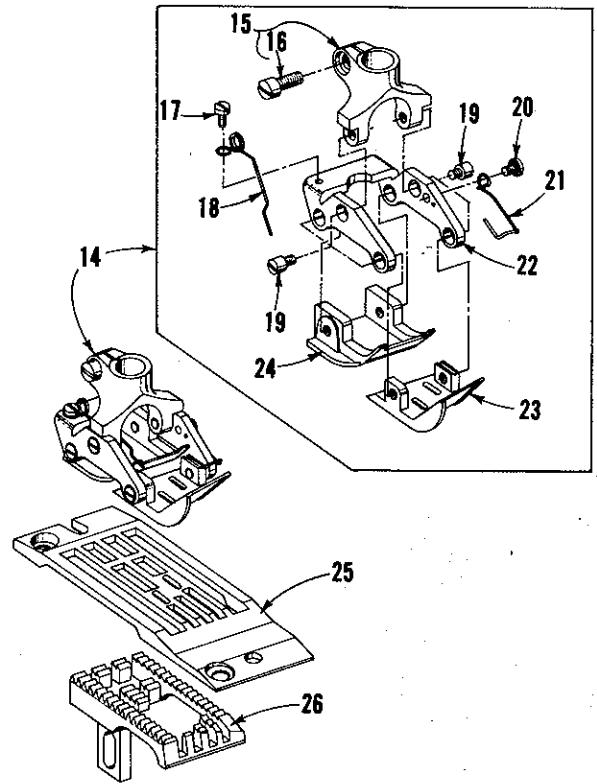
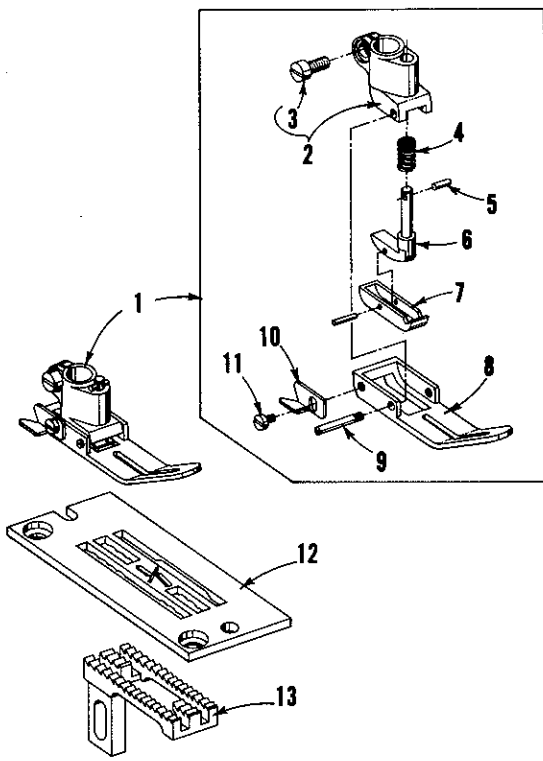
32

33

TORQUE TO  
14-16 in. lbs.  
(16-18 cm/kg)

**NEEDLE BARS, NEEDLE BAR HEADS, LOOPERS AND LOOPER HOLDERS**

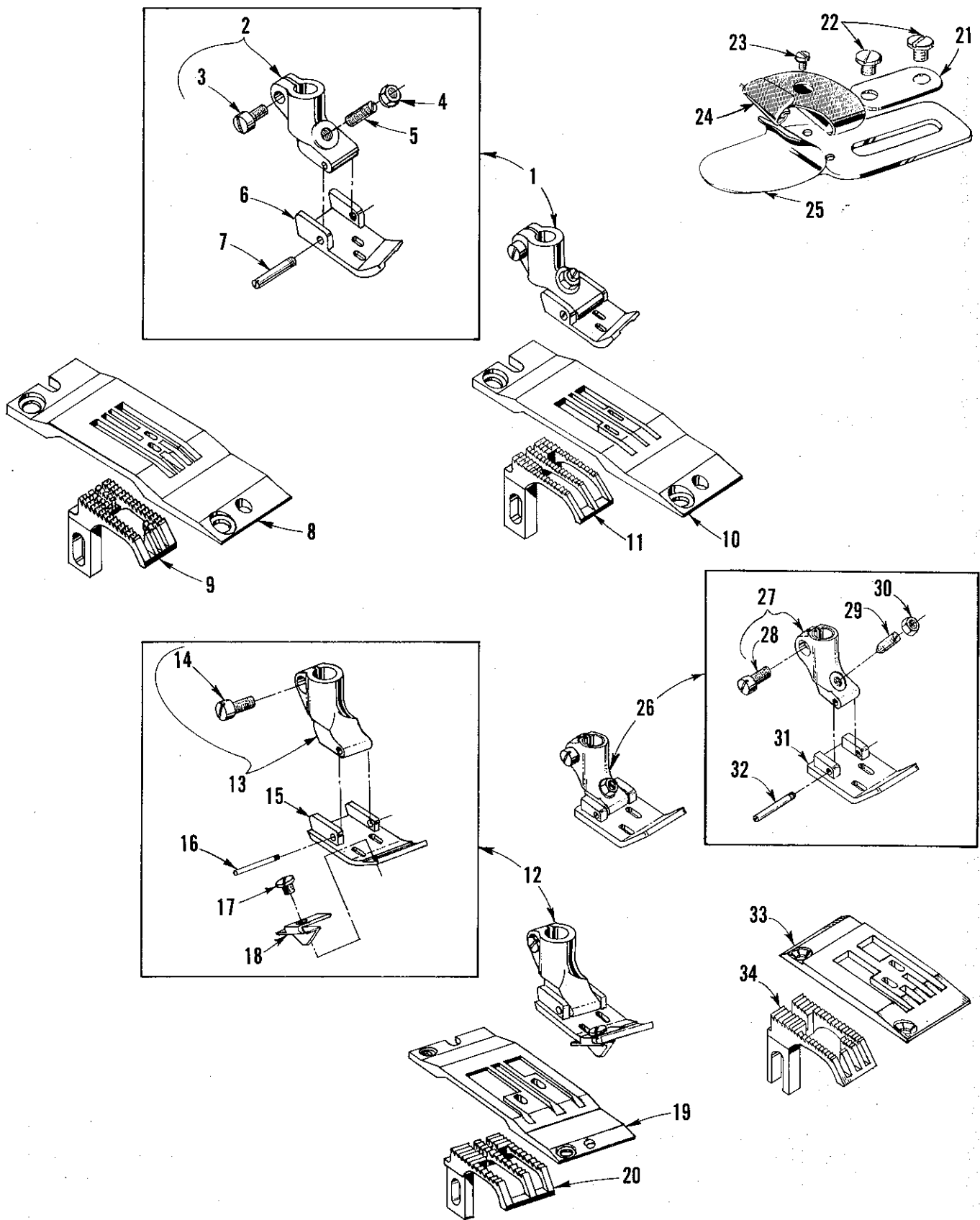
Ref. No.	Part No.	Description	Amt. Req.
1	50358 P	Eyelet, needle bar -----	1
2	18-71	Screw -----	1
3	50317 A	Bar, needle, for Styles LF612K100 HB-1, HC-1, HJ-16, HJ-18, 112HJ-16, 112HJ-18, 100HR-18, MP-12, MP-16, MX-24, and 101MBE-16 -----	1
4	C50018 L-12	Head, needle, for Style LF612K100MP-12 -----	1
-	C50018 L-16	Head, needle, for Style LF612K100MP-16 -----	1
-	50318 D-24	Head, needle, for Style LF612K100MX-24 -----	1
-	C50018 J-16	Head, needle, for Styles LF612K100HJ-16, 112HJ-16 and LF612K101MBE-16 -----	1
-	C50018 K-18	Head, needle, for Styles LF612K100HJ-18, 112HJ-18 and 100HR-18 -----	1
5	88B	Screw -----	2
6	50318 B	Head, needle, for Style LF612K100HC-1 -----	1
-	50318 C	Head, needle, for Style LF612K100HB-1 -----	1
7	22743	Screw, needle -----	2
8	50358 G	Guide, thread -----	1
9	73 A	Screw -----	2
10	22580	Screw, needle -----	2
11	89	Screw, spot -----	1
12	50318 N-8	Head, needle, for Styles LF613K100HJ-8, HR-8, 101HR-8 and 112HR-8 -----	1
-	C50018 B-9	Head, needle, for Styles LF613K100HJ-9, HR-9, 101HR-9 and 112HR-9 -----	1
13	22752	Screw, center needle -----	1
14	C50017 A	Bar, needle, for Styles LF613K100HJ-8, HJ-9, HR-8, HR-9, 101HR-8, 101HR-9, 112HR-8 and 112HR-9 -----	1
15	50 J-26	Pin, stop -----	1
16	50313 B	Holder, looper, for Styles LF612K100HB-1, HC-1, HJ-16, HJ-18, 112HJ-16, 112HJ-18, 100HR-18 and 101MBE-16 -----	1
17	22565 X	Screw -----	2
18	22575 B	Screw, adjusting -----	1
19	C50041 G	Stop -----	1
20	C50041 F	Spring, plunger -----	1
21	22881 C	Screw -----	1
22	50313 D	Holder, looper, for Styles LF612K100MP-12, MP-16 and MX-24 -----	1
23	22565 X	Screw -----	2
24	22575 B	Screw, adjusting -----	1
25	C50041 H	Collar, stop -----	1
26	22652 J-10	Screw -----	1
27	53634 C	Washer -----	1
28	C50041 E	Lock, looper carrier -----	1
29	C50041 D	Lever, release -----	1
30	538 A	Screw -----	1
31	50313 C	Holder, looper, for Styles LF613K100HJ-8, HJ-9, HR-8, HR-9, 101HR-8, 101HR-9, 112HR-8 and 112HR-9 -----	1
32	22565 X	Screw -----	3
33	22575 B	Screw, adjusting -----	1
34	51909 C	Looper, back, for Styles LF612K100HJ-16, HJ-18, 112HJ-16, 112HJ-18 and 100HR-18 -----	1
35	51508 M-18	Looper, front, for Styles LF612K100HJ-18, 112HJ-18 and 100HR-18 -----	1
36	51508 M-16	Looper, front, for Styles LF612K100HJ-16 and 112HJ-16 -----	1
37	51508 C-1	Looper, front, for Style LF612K100HC-1 -----	1
38	51508 G-1	Looper, front, for Style LF612K100HB-1 -----	1
39	51509 C	Looper, back, for Styles LF612K100HB-1 and HC-1 -----	1
40	51909 D-8	Looper, back, for Styles LF613K100HJ-8, HR-8, 101HR-8 and 112HR-8 -----	1
-	51909 D-9	Looper, back, for Styles LF613K100HJ-9, HR-9, 101HR-9 and 112HR-9 -----	1
41	51909 C	Looper, middle, for all three needle machines -----	1
42	51908 B-8	Looper, front, for Styles LF613K100HJ-8, HR-8, 101HR-8 and 112HR-8 -----	1
-	51908 B-9	Looper, front, for Styles LF613K100HJ-9, HR-9, 101HR-9 and 112HR-9 -----	1
43	51409	Looper, back, for Styles LF612K100MP-12, MP-16, MX-24, and 101MBE-16 -----	1
44	51408-16	Looper, front, for Styles LF612K100MP-16 and LF612K101MBE-16 -----	1
45	51408-12	Looper, front, for Style LF612K100MP-12 -----	1
46	51408-24	Looper, front, for Style LF612K100MX-24 -----	1





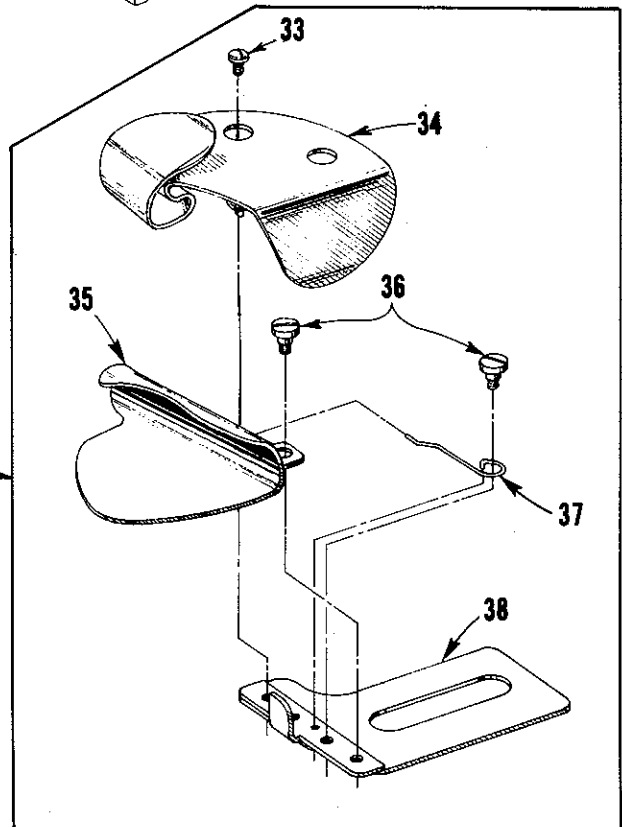
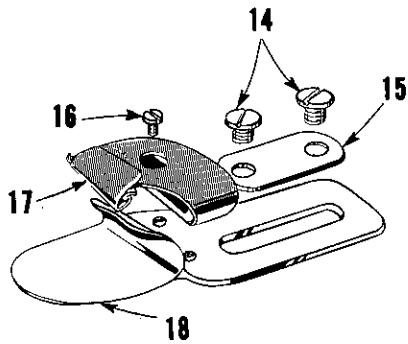
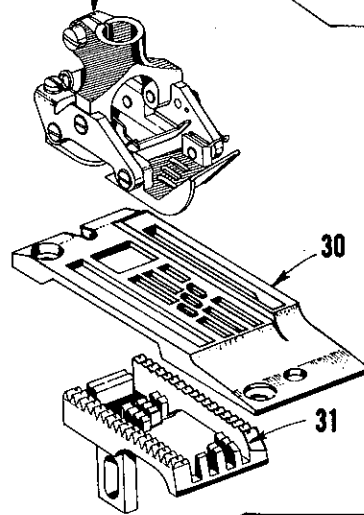
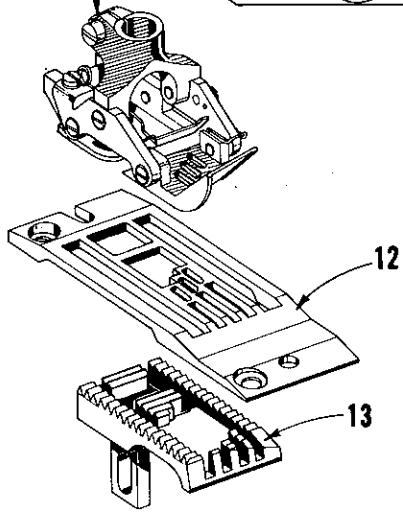
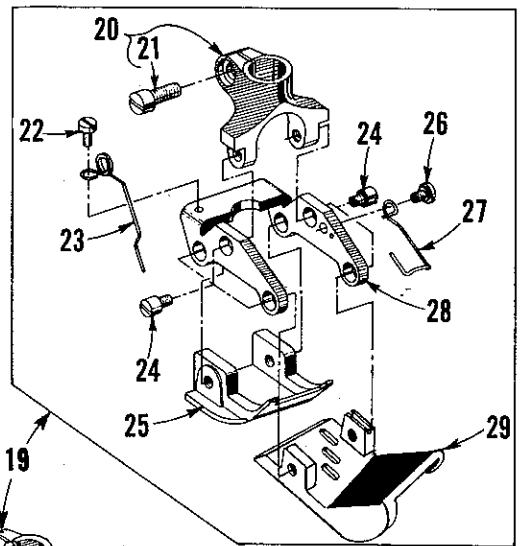
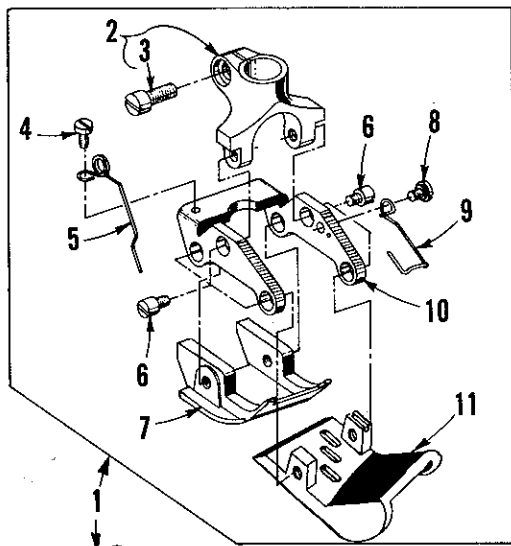
SEWING COMBINATIONS

Ref. No.	Part No.	Description	Amt. Req.
1	56520	Presser Foot Assembly, for Styles LF612K100HB-1 and HC-1	1
2	51530 D	Shank, presser foot	1
3	91	Screw	1
4	51530 G	Spring	1
5	1740	Pin	1
6	51530 F	Plunger	1
7	56530 A	Section, yielding	1
8	56530	Bottom, presser foot	1
9	22799 E	Screw, hinge	1
10	52930 AC	Knife, chain cutting	1
11	91 A	Screw	1
12	56524 B-1	Throat Plate, for Style LF612K100HB-1	1
-	56528 C-1	Throat Plate, for Style LF612K100HC-1	1
13	56505	Feed Dog, for Styles LF612K100HB-1 and HC-1	1
14	C50020 E-18	Presser Foot Assembly, for Styles LF612K100HJ-18 and 112HJ-18	1
-	C50020 F-16	Presser Foot Assembly, for Styles LF612K100HJ-16 and 112HJ-16	1
15	35830 B	Shank, presser foot	1
16	91 D	Screw	1
17	73 A	Screw	1
18	35830 H	Spring	1
19	22845 A	Screw	6
20	22599	Screw	1
21	35830 K	Spring	1
22	35830 C	Yoke	1
23	C50030 AE	Bottom, presser foot (front section) for Styles LF612K100HJ-18 and 112HJ-18	1
-	C50030 AD	Bottom, presser foot (front section) for Styles LF612K100HJ-16 and 112HJ-16	1
24	56930	Bottom, presser foot (rear section) for Styles LF612K100HJ-18 and 112HJ-18	1
-	C50030 AC	Bottom, presser foot (rear section) for Styles LF612K100HJ-16 and 112HJ-16	1
25	C50024 R-16	Throat Plate, for Styles LF612K100HJ-16 and 112HJ-16	1
-	C50024 Y-18	Throat Plate, for Styles LF612K100HJ-18 and 112HJ-18	1
26	C50005 N	Feed Dog, for Styles LF612K100HJ-16, HJ-18, 112HJ-16 and 112HJ-18	1
27	51520 BR-18	Presser Foot Assembly, for Styles LF612K100HR-18	1
28	35730 AD	Shank, presser foot	1
29	91	Screw	1
30	35730 AE	Spring	1
31	73 A	Screw	1
32	22799 G	Screw, hinge	2
33	35730 AC	Section, hinged	1
34	51530 J	Bottom, presser foot (rear section)	1
35	51530 BR-18	Bottom, presser foot (front section)	1
36	22799 C	Screw, hinge	1
37	C51524 BR-18	Throat Plate, for Style LF612K100HR-18	1
38	51505 BR-18	Feed Dog, for Style LF612K100HR-18	1
39	23425 V	Plate, washer	1
40	25 C	Screw	2
41	28	Screw	1
42	23421U-16-3/32	Scroll, upper, for Styles LF612K100HJ-16 and 112HJ-16	1
-	23421 Y-18-3/32	Scroll, upper, for Styles LF612K100HJ-18, 112HJ-18 and 100HR-18	1
43	23422 Y-3/32	Lower Scroll and Base, for Styles LF612K100HJ-16, 112HJ-16, HJ-18, 112HJ-18 and 100HR-18	1



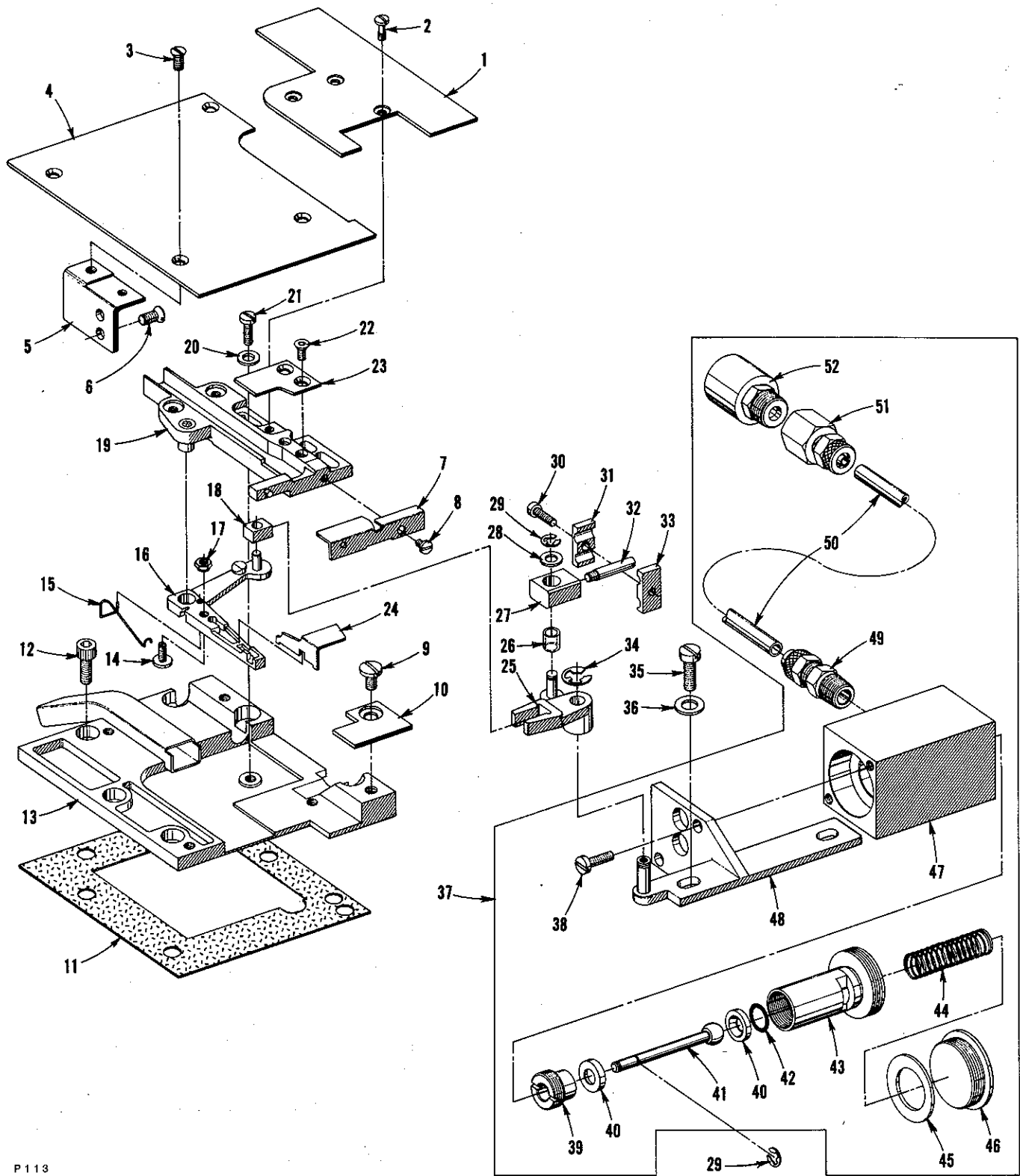
SEWING COMBINATIONS

Ref. No.	Part No.	Description	Amt. Req.
1	51420-12	Presser Foot Assembly, for Style LF612K100MP-12	1
-	51420-16	Presser Foot Assembly, for Style LF612K100MP-16	1
2	51430 D	Shank, presser foot	1
3	91	Screw	1
4	51430 F	Nut, adjusting	1
5	22840 A	Screw, adjusting	1
6	51430 A-12	Bottom, presser foot, for Style LF612K100MP-12	1
-	51430 A-16	Bottom, presser foot, for Style LF612K100MP-16	1
7	22799 B	Screw, hinge	1
8	51424 A-12	Throat Plate, for Style LF612K100MP-12	1
9	51405 A-10	Feed Dog, for Style LF612K100MP-12	1
10	C51424-16	Throat Plate, for Style LF612K100MP-16	1
11	51405-16	Feed Dog, for Style LF612K100MP-16	1
12	51420 K-24	Presser Foot Assembly, for Style LF612K100MX-24	1
13	51430 B	Shank, presser foot	1
14	91	Screw	1
15	51430 K-24	Bottom, presser foot	1
16	22799 B	Screw, hinge	1
17	187 A	Screw	1
18	53530 E	Guide	1
19	51424 K-24	Throat Plate, for Style LF612K100MX-24	1
20	51405 K-26	Feed Dog, for Style LF612K100MX-24	1
21	23425 V	Plate, washer	1
22	25 C	Screw	2
23	28	Screw	1
24	23421 U-12-1/16	Scroll, upper, for Style LF612K100MP-12	1
-	23421 U-16-1/16	Scroll, upper, for Style LF612K100MP-16	1
25	23422 U-1/16	Lower Scroll and Base, for Styles LF612K100MP-12 and MP-16	1
26	7420 AG4-1/2	Presser Foot Assembly, for Style LF612K101MBE-16	1
27	51430 D	Shank, presser foot	1
28	91	Screw	1
29	22840 A	Screw	1
30	51430 F	Nut	1
31	65-266	Bottom, presser foot	1
32	22799 F	Screw, hinge	1
33	C7528 H-4-1/2	Throat Plate, for Style LF612K101MBE-16	1
34	7405 U-4-1/2	Feed Dog, for Style LF612K101MBE-16	1



SEWING COMBINATIONS

Ref. No.	Part No.	Description	Amt. Req.
1	50320 M-8	Presser Foot Assembly, for Style LF613K100HJ-8	1
-	56920 A-9	Presser Foot Assembly, for Style LF613K100HJ-9	1
2	35830 B	Shank, presser foot	1
3	91 D	Screw	1
4	73 A	Screw	1
5	35830 H	Spring	1
6	22845 A	Screw	6
7	50330 BF-8	Bottom, presser foot (rear section) for Style LF613K100HJ-8	1
-	56930	Bottom, presser foot (rear section) for Style LF613K100HJ-9	1
8	22599	Screw	1
9	35830 K	Spring	1
10	35830 C	Yoke	1
11	35830 R-8	Bottom, presser foot (front section) for Style LF613K100HJ-8	1
-	35830 R-9	Bottom, presser foot (front section) for Style LF613K100HJ-9	1
12	50324 N-8	Throat Plate, for Style LF613K100HJ-8	1
-	C56924 A-9	Throat Plate, for Style LF613K100HJ-9	1
13	56905 A-9	Feed Dog, for Styles LF613K100HJ-8 and LF613K100HJ-9	1
14	25 C	Screw	2
15	23425 V	Plate, washer	1
16	28	Screw	1
17	23421 U-16-3/32	Scroll, upper, for Style LF613K100HJ-8	1
-	23421 U-16-1/8	Scroll, upper, for Styles LF613K100HR-8, 101HR-8 and 112HR-8	1
-	23421 U-18-3/32	Scroll, upper, for Style LF613K100HJ-9	1
18	23422 BZ-3/32	Lower Scroll and Base, for Styles LF613K100HJ-8 and HJ-9	1
-	23422 BZ-1/8	Lower Scroll and Base for Styles LF613K100HR-8, 101HR-8 and 112HR-8	1
19	56920 R-9	Presser Foot Assembly, for Styles LF613K100HR-9, 101HR-9 and 112HR-9	1
-	50320 N-8	Presser Foot Assembly, for Styles LF613K100HR-8, 101HR-8 and 112HR-8	1
20	35830 B	Shank, presser foot	1
21	91 D	Screw	1
22	73 A	Screw	1
23	35830 H	Spring	1
24	22845 A	Screw	6
25	56930 B	Bottom, presser foot (rear section) for Styles LF613K100HR-9, 101HR-9 and 112HR-9	1
-	50330 BG-8	Bottom, presser foot (rear section) for Styles LF613K100HR-8, 101HR-8 and 112HR-8	1
26	22599	Screw	1
27	35830 K	Spring	1
28	35830 C	Yoke	1
29	35830 R-9	Bottom, presser foot (front section) for Styles LF613K100HR-9, 101HR-9 and 112HR-9	1
-	50330 BE-8	Bottom, presser foot (front section) for Styles LF613K100HR-8, 101HR-8 and 112HR-8	1
30	50324 P-8	Throat Plate, for Styles LF613K100HR-8 and 101HR-8	1
-	50324 R-8	Throat Plate, for Style LF613K112HR-8	1
-	C56924 R-9	Throat Plate, for Styles LF613K100HR-9 and 101HR-9	1
-	C50024 Y-9	Throat Plate, for Style LF613K112HR-9	1
31	56905 R-9	Feed Dog, for Styles LF613K100HR-8, 101HR-8, 112HR-8, 100HR-9, 101HR-9 and 112HR-9	1
32	23420 S-9-1/8	Folder Assembly, for Styles LF613K100HR-9, 101HR-9 and 112HR-9	1
33	28	Screw	1
34	23421 S-9-1/8	Scroll, upper	1
35	23422 AY-18-1/8	Scroll, lower	1
36	22760 A	Screw	2
37	23424 S	Spring	1
38	23423 S	Base	1

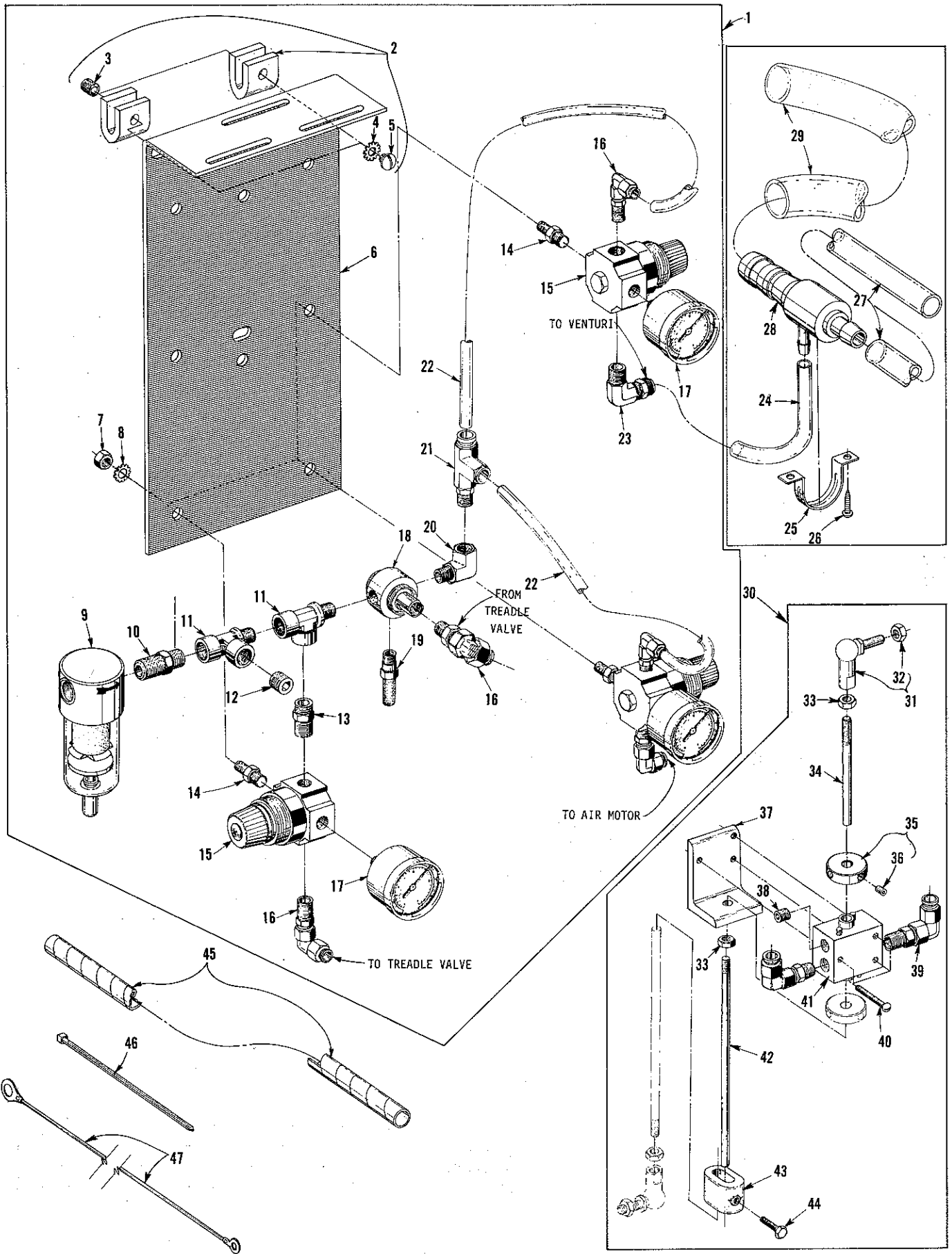


P113

**POWER "AIR KLIPP" CHAIN CUTTER AND RELATED PARTS**

(Styles LF612K112HJ-16, HJ-18, LF613K112HR-8 and HR-9)

Ref. No.	Part No.	Description	Amt. Req.
1	50382 AS	Cover, suction tube -----	1
2	99312 A	Screw -----	3
3	22525 E	Screw -----	4
4	50301 AC	Plate, cloth (left) -----	1
5	50332 E	Bracket -----	1
6	22526	Screw -----	2
7	99677 UA	Inlet, thread, for Styles LF612K112HJ-16 and LF612K112HJ-18 -----	1
-	99677 TB	Inlet, thread, for Styles LF613K112HR-8 and LF613K112HR-9 -----	1
8	77 F	Screw -----	1
9	22569 F	Screw -----	1
10	50382 DB	Cover, plate -----	1
11	50382 BT	Gasket -----	1
12	22653 B-8	Screw -----	6
	V29944 D	Power "Air Klipp" Assembly (complete) -----	1
13	99679 UB	Cover -----	1
14	99372 A	Screw, adjusting -----	1
15	99697 TA	Spring -----	1
16	99666 TB	Lever, knife -----	1
17	99322	Nut -----	1
18	99672 UE	Block, sliding -----	1
19	99691 TA	Housing, chain cutter -----	1
20	80265	Washer -----	2
21	22729 J	Screw -----	2
22	95435 A	Screw -----	2
23	99670 TH	Knife, upper -----	1
24	99669 TH	Knife, lower -----	1
25	99672 UD	Lever -----	1
26	99672 TC	Insert, plastic -----	1
27	671 H-4D	Connection -----	1
28	95954	Washer -----	1
29	96280	Ring, retaining -----	3
30	22562 A	Screw -----	1
31	99672 UB-2	Clamp,(rear) -----	1
32	H5100 D	Screw, stud -----	1
33	99672 UB-1	Clamp (front) -----	1
34	96275	Ring, retaining -----	1
35	22517	Screw -----	2
36	80557	Washer -----	2
37	671 H-4	Air-Motor Assembly -----	1
38	22585	Screw -----	2
39	671 H-1E	Screw, plug -----	1
40	99646 BA	Collar, thrust -----	2
41	671 H-4C	Rod, piston -----	1
42	660-206	"O" Ring -----	1
43	671 H-1A	Piston -----	1
44	660-753	Spring -----	1
45	671 H-1F	Washer, bumper -----	1
46	671 H-1D	Screw, plug -----	1
47	671 H-2A	Housing -----	1
48	671 H-4A	Bracket, housing -----	1
49	660-400	Fitting, straight -----	2
50	99675 G1000	Tubing, plastic -----	1
51	999-126 G	Connector, straight -----	1
52	999-140 C	Muffler -----	1

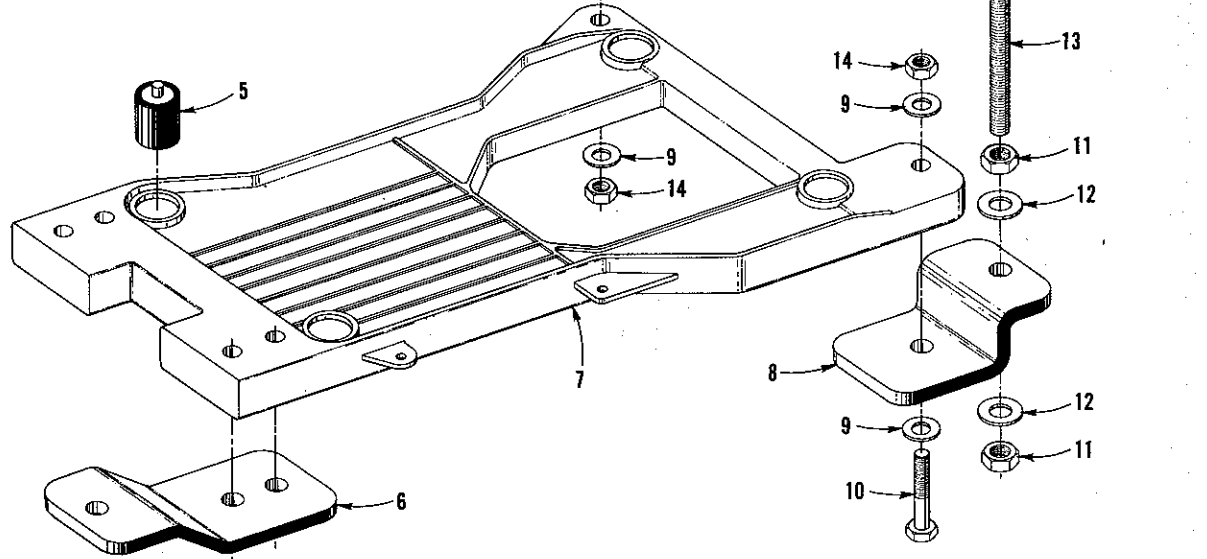
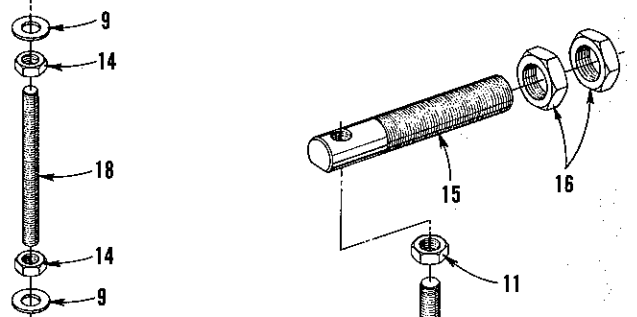
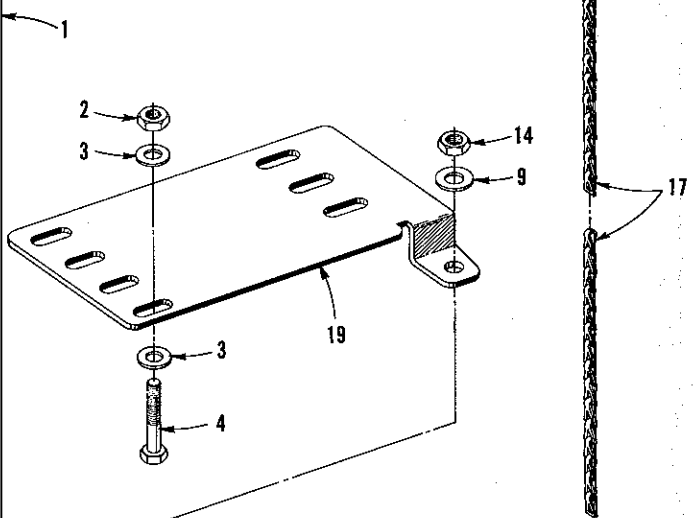
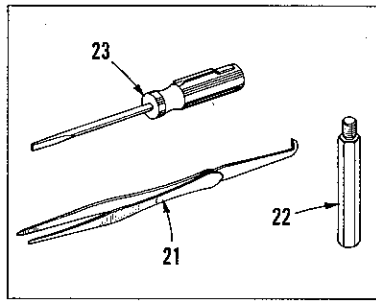
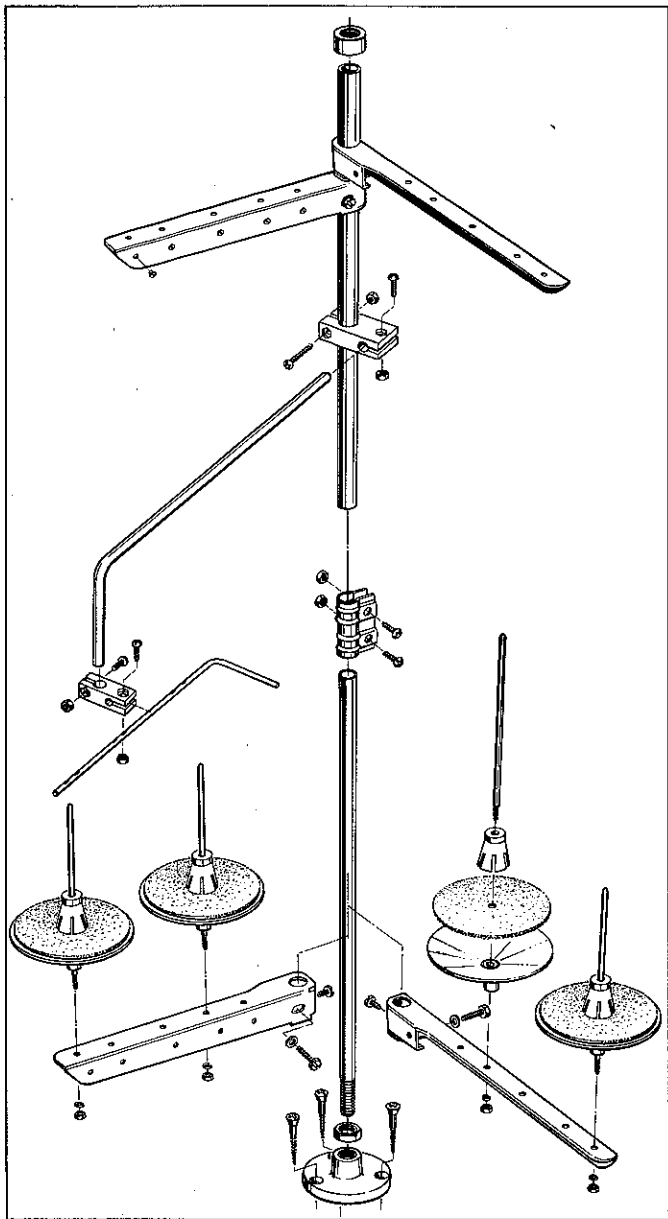




**PNEUMATIC CONTROLS**

(Styles LF612K112HJ-16, HJ-18, LF613K112HR-8 and HR-9)

Ref. No.	Part No.	Description	Amt. Req.
1	29480 ADM	Pneumatic Control Board Assembly	1
2	661-3	Clamp, mounting	2
3	22650 CF-6	Screw, set	2
4	652 B-16	Washer, lock	2
5	22635 D-16	Screw	2
6	B5032 R	Bracket, mounting	1
7	11635 B	Nut	3
8	652 B-20	Washer, lock	3
9	671 D-5	Filter	1
10	RM3320-1	Reducer	1
11	RM2850 D	Tee, pipe	2
12	22571 F	Screw, plug	1
13	RM3287-2	Nipple, hex	1
14	671 C-16	Stud, mounting	3
15	671 D-9	Regulator	3
16	671 F-69	Fitting, swivel, 90 degree	5
17	671 D-15	Gauge	3
18	RM4098-1	Valve, pilot	1
19	660-403	Muffler	1
20	RM2881-1	Elbow, 90 degree	1
21	671 F-94	Tee, run	1
22	660-392	Tube, air, 1/4 inch (6.35mm)	2
23	671 F-3	Fitting, tube, 3/8 inch (9.52mm)	1
24	671 B-3	Tube, venturi (air supply)	1
25	998-332	Holder, venturi	1
26	RM2719-1	Screw, wood	2
27	671 B-12	Tube, suction	1
28	671 D-2	Venturi	1
29	671 B-11	Tube, discharge	1
30	29480 ACD	Treadle Valve Assembly	1
31	999-146	Link	2
32	95250	Nut	2
33	95250	Nut	3
34	99563 A-75	Rod, pitman	1
35	C50036 AS	Collar, acuating	2
36	22894 R	Screw	2
37	671-135	Bracket, mounting	1
38	22571 F	Screw, plug	1
39	671 F-69	Fitting, swivel, 90 degree	2
40	SC191	Screw	3
41	671-134	Body, valve	1
42	99563 A-130	Rod, pitman	2
43	G28562 A	Connector, rod (pitman)	1
44	95051	Screw	1
45	RM3832-1	Wrap, harness	1
46	RM2871 B	Tie	4
47	670 E-256	Wire, ground	1
	671 F-88	Fitting, barb (air supply, not shown)	1



THREAD STAND AND ACCESSORIES

Ref. No.	Part No.	Description	Amt. Req.
1	21101 W-4	Thread Stand Assembly, for Styles LF612K100HB-1, HC-1, HJ-16, HJ-18, HR-18, MP-12, MP-16, MX-24, 101MBE-16, 112HJ-16 and 112HJ-18 -----	1
-	21101 W-6	Thread Stand Assmbly, for Styles LF613K100HJ-8, HJ-9, HR-8, HR-9, 101HR-8, 101HR-9, 112HR-8 and 112HR-9 -----	1
2	50335 T	Nut -----	1
3	652-16	Washer -----	6
4	22788 H	Bolt -----	3
5	35095 B	Isolator -----	4
6	21374 BP	Support -----	2
7	21374 AG	Cradle, machine -----	1
8	21374 BR	Support -----	1
9	RM3293-3	Washer -----	14
10	22641	Bolt -----	5
11	RM3211-4	Nut -----	9
12	652 P-36	Washer -----	9
13	21374 BS	Rod, threaded -----	3
14	RM3211-3	Nut -----	9
15	21374 BT	Rod -----	3
16	651 M	Nut -----	6
17	421 D-42	Chain, presser foot lifter -----	1
18	21371 PY-32	Rod, threaded -----	1
19	21374 BB	Bracket, motor mounting -----	1
20	660-264	Hook, "S" -----	2
21	660-240	Tweezer, thread -----	1
22	22841 M	Stand, machine -----	4
23	21207 B	Screwdriver -----	1
	28604 R	Container of oil, 16 ounces (455ml.), Spec. 175, (not shown) -----	1
	28604 S	Container of oil, 32 ounces (946ml.), Spec. 175, (not shown) -----	1
	660-457	Dust Cover (not shown) -----	1
	22788 J	Metric Bolt (not shown) -----	2

## NUMERICAL INDEX OF PARTS

Part No.	Page No.	Part No.	Page No.	Part No.	Page No.
109	47,49	22617 J-16	41	22894 L	43
11635 B	65	22635 D-16	65	22894 P	43
12934 A	33,43	22637 P-32	41	22894 R	65
136	51,53	22641	67	22894 W	43,53
136 A	31	22650 CD-6	39	22894 X	39
15438 C	49	22650 CF-6	65	23420 S-9-1/8	61
158 A	47	22651 CD-4	37	23421 S-9-1/8	61
1740	57	22652 A-6	29	23421 U-12-1/16	59
18-71	55	22652 A-8	39	23421 U-16-1/8	61
18-799	47	22652 J-10	55	23421 U-16-1/16	59
187 A	59	22653 B-36	27	23421 U-16-3/32	57,61
20	49	22653 B-8	35,63	23421 U-18-3/32	61
21101 W-4	67	22653 J-8	39	23421 Y-18-3/32	57
21101 W-6	67	22655 B-7	37	23422 AY-18-1/8	61
21207 B	67	22706 C	37	23422 BZ-3/32	61
21371 PY-32	67	22714 C	41	23422 BZ-1/8	61
21374 AG	67	22716 A	49	23422 U-1/16	59
21374 BB	67	22720 A	27	23422 Y-3/32	57
21374 BP	67	22720 C	37	23423 S	61
21374 BR	67	22726 L	47	23424 S	61
21374 BS	67	22729	39	23425 V	57,59,61
21374 BT	67	22729 J	63	25 C	57,59,61
21375 BW	53	22729 L	41	25 S	37,39
21375 BX	51	22733	31	258	29,37
21375 BY	51	22743	55	28	57,59,61
22501 A	49	22752	55	28604 R	67
22513	49	22758	43	28604 S	67
22517	33,63	22760 A	61	28619	29
22519 H	41	22764	39	28633 L	53
22519 J	49	22764 A	41	29105 AT	39
22519 K	43	22764 C	31	29126 EV	41
22524	51	22768	45	29126 FB	41
22524 B	41	22781	45	29192 AE	39
22525 E	33,63	22788 H	67	29475 BV	49
22526	53,63	22788 J	67	29475 BW	47
22526 H	33	22792 A	49	29475 BY	49
22539 G	31	22799 AH	33,49	29476 PX	47
22539 V	41	22799 B	59	29476 PY	47
22541	29	22799 C	57	29480 ACD	65
22541 A	33	22799 E	57	29480 ADM	65
22541 C	33	22799 F	59	35021	39
22557 J	43	22799 G	57	35021 B	39
22560 B	41,51,53	22824 B	51	35034 M	41
22562 A	37,39,63	22825	51	35034 N	41
22565 X	55	22830	39	35034 X	41
22569 C	43,47,49	22837	47	35036 AB	31
22569 D	33,35,45,49	22839	33	35036 AE	33
22569 F	31,63	22840 A	59	35036 AP	41
22569 G	39	22840 C	43	35036 AZ	41
22569 M	33	22841 M	29,67	35036 BN	41
22570	35	22841 N	33	35036 F	41
22571 D	41	22845 A	57,61	35036 X	27
22571 E	29	22861 C	33	35039 A	29
22571 F	27,65	22874	43	35040 B-15	41
22571 H	35	22881 C	55	35040 B-22	41
22571 J	29	22882	43	35040 B-25	41
22574 D	51	22883 B	33,35	35042 C	37
22575 B	55	22894 AB	41	35055 V	39
22580	55	22894 AD	37,39	35082 E	35
22585	63	22894 AE	39	35082 F	35
22586 U	29,31	22894 AF	39	35091 A	37
22587 N	33	22894 AM	53	35093 BL	27
22588 A	45	22894 AT	45	35093 F	29
22588 S	45	22894 C	27,31,35,37,39,41,45	35093 H	29
22591	37,41	22894 E	53	35093 J	29
22591 A	41	22894 J	29,33,37,41,51	35093 P	37
22593	51	22894 K	39	35094 A	27
22596 H	37,41,43			35095 B	67
22599	57,61			35569 J	49
				35730 AC	57

## NUMERICAL INDEX OF PARTS

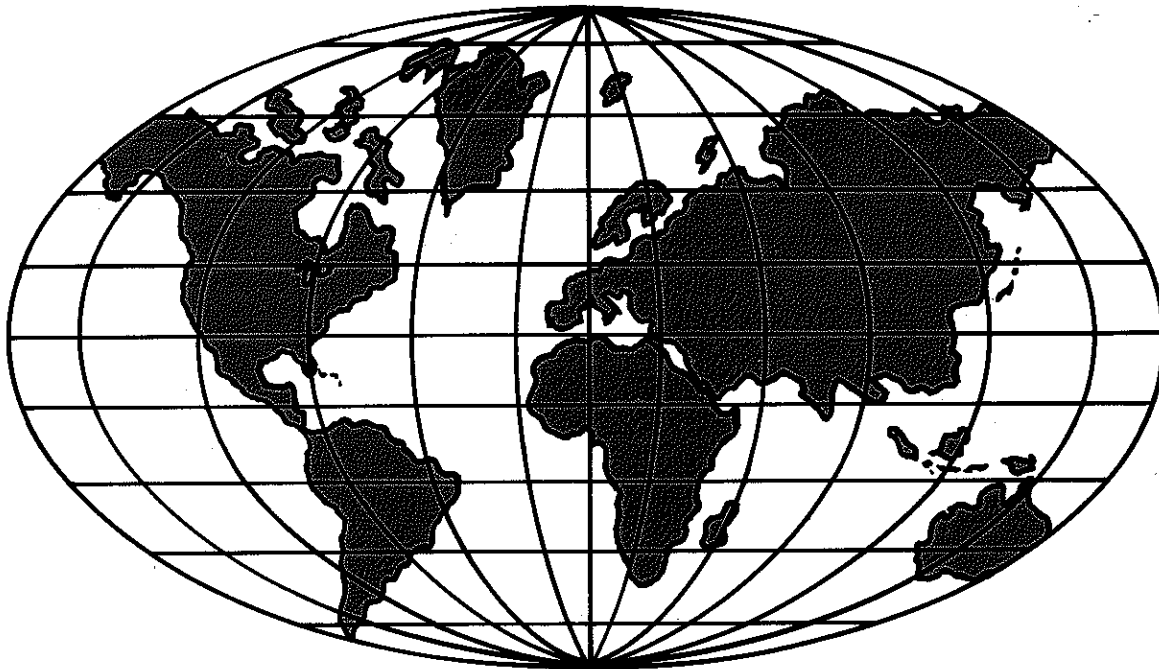
Part No.	Page No.	Part No.	Page No.	Part No.	Page No.
35730 AD	57	50335 L	41	50380 D	35
35730 AE	57	50335 T	67	50382 A	35
35830 B	57,61	50335 Z	41	50382 AA	49
35830 C	57,61	50336 C	41	50382 AR	49
35830 H	57,61	50336 D	41	50382 AS	63
35830 K	57,61	50336 L	33	50382 BH	29
35830 R-8	61	50339	39	50382 BM	35
35830 R-9	61	50339 B	31,35	50382 BN	33
37-70 BLK.	35	50342 A	39	50382 BT	35,63
39592 AK	47,49	50342 AB	37	50382 DB	63
39656 A	53	50342 AC	37	50382 EA	35
41350 X	27,29,31,37	50342 AD	37	50382 F	33
421 D-42	67	50342 AF	37	50382 H	33
50 J-26	55	50342 AM	45	50382 J	33
50301	35	50342 AN	45	50382 K	33
50301 AC	63	50342 B	39	50382 T	49
50301 AD	35	50342 D	39	50382 U	35
50301 AE	35	50342 H	39	50382 V	35
50301 B	35	50342 R	37	50390	31
50301 R	35	50342 U	37	50390 A	31
50304 A	45	50342 V	37	50390 B	43
50304 D	47	50342 W	37	50390 C	31
50313 B	55	50342 X	37	50390 D	31
50313 C	55	50342 Y	37	50390 E	43
50313 D	55	50343	39	50392 B	47
50314 A	39	50344 B	31	50392 H	49
50314 B	39	50344 C	39	50392 J	49
50317 A	55	50344 E	31	50392 K	49
50318 B	55	50344 H	45	50393 AL	39
50318 C	55	50344 K	31	50393 AN	39
50318 D-24	55	50344 L	31	50393 AR	29
50318 N-8	55	50344 V	31	50393 AS	33
50320 M-8	61	50344 X	31	50393 AU	29
50320 N-8	61	50354 D	31	50393 AV	29
50322 AB	39	50354 E	31	50393 AW	29
50322 B	43	50355	41	50393 AX	27
50322 C	43	50355 AE	37	50393 AY	27
50322 F	43	50355 H	37	50393 BA	29
50322 K	41	50355 L	31	50393 BB	27
50323	45	50355 P	37	50393 BK	29
50323 B	45	50355 T	37	50393 BU	29
50323 C	45	50356 A	43	50393 C	27
50323 L	45	50357	45	50393 CB	27
50324 N-8	61	50357 A	45	50393 CC	27
50324 P-8	61	50357 D	45	50393 CD	27
50324 R-8	61	50357 F	45	50393 CE	27
50325 H	39	50357 K	45	50393 CN	27
50325 K	39	50358	49	50393 CP	27
50330 BE-8	61	50358 G	55	50393 CR	27
50330 BF-8	61	50358 H	45	50393 CS	27,31
50330 BG-8	61	50358 J	47	50393 CU	27
50332	45	50358 K	47	50393 CV	31
50332 A	49	50358 P	55	50393 CX	31
50332 B	49	50367	43	50393 CY	27
50332 E	63	50367 A	43	50393 CZ	31
50334 A	41	50367 B	43	50393 D	27
50334 AA	41	50367 E	43	50393 DC	27
50334 AB	41	50368	39	50393 DD	31
50334 B	41	50368 A	39	50393 DJ	27
50334 C	41	50368 B	31	50393 DM	29
50334 F	41	50368 C	39	50393 N	29
50334 K	41	50368 E	39	50393 S	39
50334 W	41	50368 F	39	50393 U	33
50334 Y	41	50370 A	47	50393 V	27
50335	41	50375	53	50393 W	49
50335 A	41	50375 B	53	50394	51
50335 C	41	50375 D	53	50394 B	29
50335 D	41	50378	49	50394 G	27
50335 E	41	50378 R	49	50394 J	33
		50380	33	50394 K	27

## NUMERICAL INDEX OF PARTS

Part No.	Page No.	Part No.	Page No.	Part No.	Page No.
50394 L	27	56524 B-1	57	660-939	33,35
50394 S	31	56528 C-1	57	660-969	41
50394 X	27	56530	57	660-979	39
50394 Y	35	56530 A	57	660-980	41
51-627 BLK.	31	56905 A-9	61	660-986	43,45
51-716 BLK.	53	56905 R-9	61	660-998	39
51-794 BLK.	31	56920 A-9	61	661-1	31
51242 L	53	56920 R-9	61	661-129	41
51280 K	35	56930	57,61	661-3	65
51292 A	47,49	56930 B	61	661-35	41
51292 F-2	47,49	57 WB	49	661-51	29
51292 F-8	47	57847	39	661-70 A	51
51405-16	59	59451 F	51	661-96	41
51405 A-10	59	604	31,51,53	666-214	39
51405 K-26	59	6042 A	29,39,53	666-311	31
51408-12	55	605 A	49	666-321	31
51408-16	55	62245 C	39	666-322	27
51408-24	55	65-266	59	667 C-8	53
51409	55	651 M	67	667 J-33	39
51420-12	59	652-16	67	667 M-14	43
51420-16	59	652-20	37	670 E-2	29
51420 K-24	59	652 B-16	65	670 E-256	65
51424 A-12	59	652 B-20	65	671-134	65
51424 K-24	59	652 B-24	37	671-135	65
51430 A-12	59	652 C-9	41	671 B-3	65
51430 A-16	59	652 P-36	67	671 B-11	65
51430 B	59	6524-16	29	671 B-12	65
51430 D	59	660-206	29,39,41,	671 C-16	65
51430 F	59		63	671 D-2	65
51430 K-24	59	660-212	39	671 D-5	65
51505 BR-18	57	660-219 A	33	671 D-9	65
51508 C-1	55	660-219 L	53	671 D-15	65
51508 G-1	55	660-220	39,53	671 F-3	65
51508 M-16	55	660-240	67	671 F-4	31
51508 M-18	55	660-264	67	671 F-19	51
51509 C	55	660-310	27	671 F-41	27,29
51520 BR-18	57	660-330	53	671 F-64	51
51524 BR-18	57	660-392	65	671 F-69	65
51530 BR-18	57	660-400	63	671 F-88	65
51530 D	57	660-403	65	671 F-94	65
51530 F	57	660-416	53	671 H-1A	63
51530 G	57	660-455	29,39	671 H-1D	63
51530 J	57	660-457	67	671 H-1E	63
51854 C	43	660-680	37	671 H-1F	63
51908 B-8	55	660-684	27	671 H-2A	63
51908 B-9	55	660-708	37	671 H-4	63
51909 C	55	660-713	37	671 H-4A	63
51909 D-8	55	660-718	43	671 H-4C	63
51909 D-9	55	660-731	49	671 H-4D	63
51959 D	49	660-739	31,35	73 A	45,55,57,
52393 Q	29	660-753	63		61
52804 E	45	660-885	29,39	74 E	29
52904 E	45	660-886 A	51	7405 U-4-1/2	59
52930 AC	57	660-886 B	51	7420 AG4-1/2	59
531	43,47	660-886 C	51	77 F	63
53530 E	59	660-887	53	77 K	41
53634 C	51,55	660-888	51	80265	63
53678 N	45	660-889	51	80557	63
538 A	55	660-890	51	80620 G	41
54249 D	37	660-891 B	51	820	29,31
54274 P	45	660-891 C	51	8372 A	53
56358 B	47	660-892 A	53	87	33
56358 C	47	660-892 B	53	88 B	37,55
56358 D	47	660-892 C	51	88 F	53
56392 E	47	660-893	51	89	27,55
56392 F	47,49	660-896	35	91	57,59
56393 AA	39	660-914	51	91 A	57
56393 N	29	660-918	51	91 D	57,61
56505	57	660-934	39	9255	41
56520	57	660-935	39	93	35,43

## NUMERICAL INDEX OF PARTS

Part No.	Page No.	Part No.	Page No.	Part No.	Page No.
93 A	41	C50036 P	37	C50082 M	33
94	53	C50036 R	43,53	C50082 N	33
95	39	C50041 D	55	C50082 V	33
95051	65	C50041 E	55	C50082 X	33
95250	65	C50041 F	55	C50090 M	43
95435 A	63	C50041 G	55	C50092 AG	47
95954	63	C50041 H	55	C50092 G	47
95978	45	C50042 AB-16	51	C50092 J	47
96275	63	C50042 AC-16	51	C50092 L	49
96280	63	C50042 AD	39	C50092 M	47
97	29	C50042 AE	53	C50092 R	47,49
97127	33	C50042 AF	51	C50092 S	47,49
98	51,53	C50042 AG	51	C50092 U	49
98 A	47	C50042 AL	53	C50093 AU	33
98540	31	C50042 Z-13	53	C50093 AX	31
99277	41	C50042 Z-14	51	C50093 AY	31
99312 A	63	C50044 T	49	C50093 BG	31
99322	63	C50044 V	39	C50093 CA	29
99372 A	63	C50054 D	31	C50093 CB	29
99563 A-75	65	C50054 M	47	C50093 CJ	29,37
99563 A-130	65	C50055 H	37	C50093 CS	51
99646 BA	63	C50056 B	43	C50093 CT	31
99666 TB	63	C50056 C	43	C50093 F	29
99669 TH	63	C50056 D	43	C50093 U	27
99670 TH	63	C50056 J	43	C50093 Z	27
99672 TC	63	C50056 K	43	C50094 AG	51
99672 UB-1	63	C50057 D	31	C50094 AH	27
99672 UB-2	63	C50057 E	43	C50094 AK	27
99672 UD	63	C50057 K	43	C50094 B	27
99672 UE	63	C50058 F	49	C50094 C	27
99675 G1000	63	C50067 B	43	C50094 P	27
99677 TB	63	C50067 G	43	C50094 R	29
99677 UA	63	C50067 K	43	C50094 X	37
99679 UB	63	C50070 B	47	C50094 Y	29
99691 TA	63	C50074	53	C50095 D	33
99697 TA	63	C50076	53	C50095 E	33
998-332	65	C50077	53	C50095 F	33
999-126 G	63	C50077 B	53	C50095 G	33
999-140 C	63	C50077 C	53	C51424-16	59
999-146	65	C50077 D	53	C51524 BR-18	57
999-211 C	41	C50077 E	43	C56924 A-9	61
999-211 E	29	C50077 F	43	C56924 R-9	61
999-216 C	33	C50077 G	43	C7528 H-4-1/2	59
AS22 D	53	C50077 H	53	CO67 B	31
B5032 R	65	C50077 J	53	CO67 D	37
C50005 N	57	C50077 K	53	G28562 A	65
C50017 A	55	C50077 P	45	H5100 D	63
C50018 B-9	55	C50078 AD	43,47	J80 K	37
C50018 J-16	55	C50078 AF-10	53	J87 J	45
C50018 K-18	55	C50078 AF-15	53	PI-18	27
C50018 L-12	55	C50078 E	53	RI-37	27,29
C50018 L-16	55	C50078 F	53	RM2719-1	65
C50020 E-18	57	C50078 G	51	RM2747-3	37
C50020 F-16	57	C50078 H	51	RM2850 D	65
C50021 A	37	C50078 J	51	RM2871 B	65
C50022 K	53	C50078 L	51	RM2879-2	33
C50022 L	51	C50078 M	51	RM2881-1	65
C50022 N	53	C50078 N	51	RM2964-B	31,51
C50024 R-16	57	C50078 P	51	RM3211-3	67
C50024 Y-9	61	C50078 R	53	RM3211-4	67
C50024 Y-18	57	C50078 S	53	RM3287-2	65
C50025 E	39	C50078 T	53	RM3293-3	67
C50025 F	39	C50078 U	53	RM3320-1	65
C50025 L	39	C50078 V	53	RM3633-1	51
C50025 N	39	C50082 AA	33,35	RM3832-1	65
C50030 AC	57	C50082 AH	49	RM4098-1	65
C50030 AD	57	C50082 AP	51	SC191	65
C50030 AE	57	C50082 AR	51	V29944 D	63
C50036 AJ	53	C50082 AW	33	WO-3	27
C50036 AS	65	C50082 K	33		



## WORLDWIDE SALES AND SERVICE

Union Special Corporation maintains sales and service facilities throughout the world. These offices will aid you in the selection of the right sewing equipment for your particular operation. Union Special Corporation representatives and servicemen are factory trained and are able to serve your needs promptly and efficiently. Whatever your location, there is a Union Special Corporation representative to serve you. Check with him today.

It is important to remember that LEWIS® and COLUMBIA® machines are also products of Union Special Corporation, thus offering the industry the most complete line of the Finest Quality sewing machines.

Gainesville, GA  
Norcross, GA  
Chicago, IL  
Carrollton, TX  
Commerce, CA  
Philadelphia, PA  
Opa-Locka, FL  
Montreal, Quebec  
Toronto, Ontario  
Brussels, Belgium  
Leicester, England  
Paris, France  
Stuttgart, W. Germany  
Milano, Italy  
Hong Kong  
Osaka, Japan  
Other Representatives throughout  
all parts of the world

  
INDUSTRIAL SEWING MACHINE