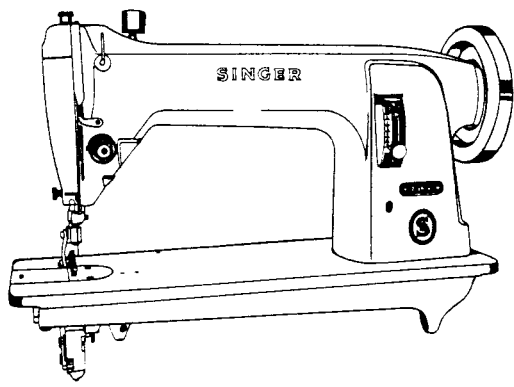
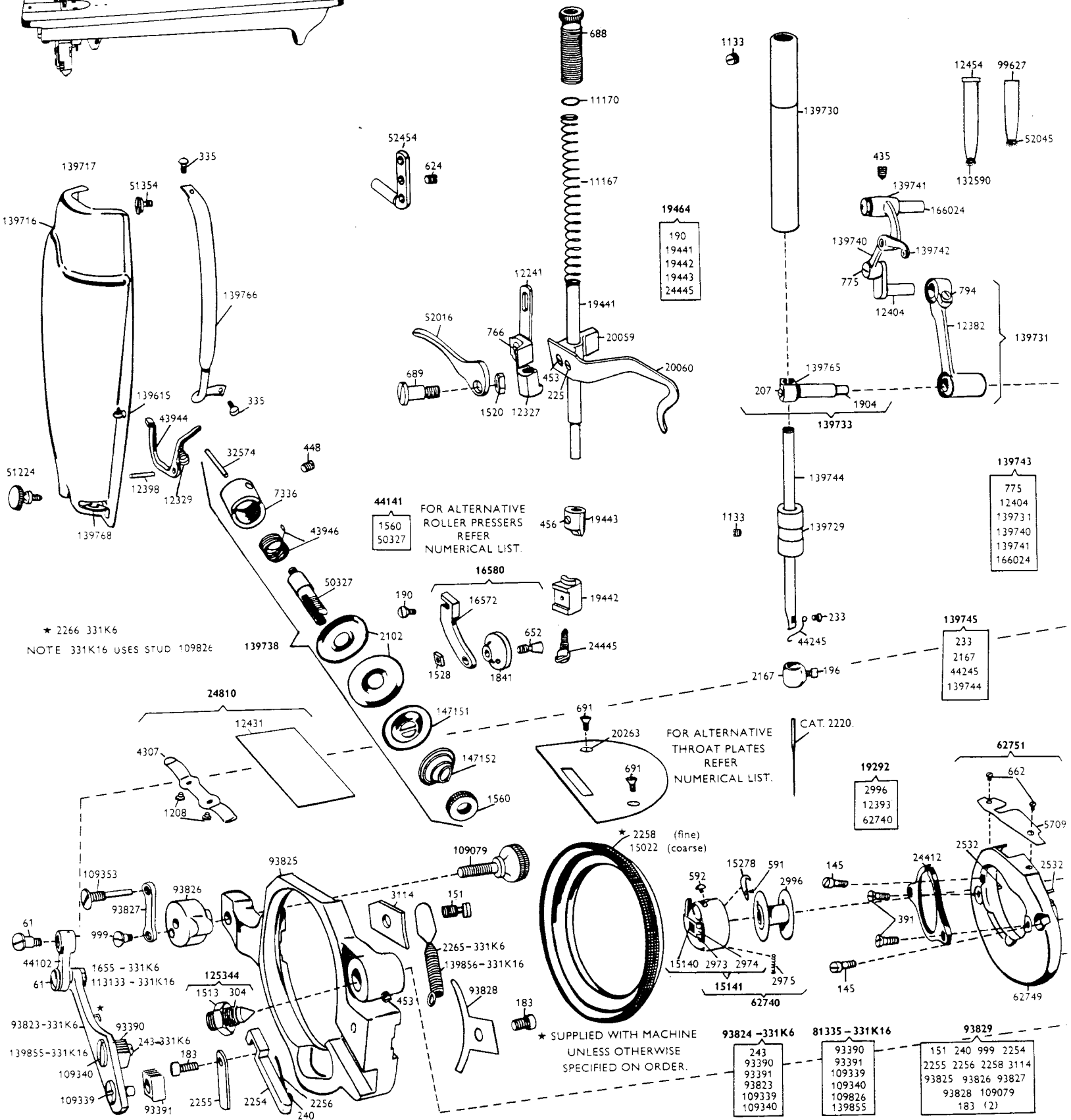


SINGER
331K6,K16



SINGER[®]

331k6 & 331k16



* 2266 331K6
 NOTE 331K16 USES STUD 109826

44141
 1560
 50327
 FOR ALTERNATIVE
 ROLLER PRESSERS
 REFER
 NUMERICAL LIST.

FOR ALTERNATIVE
 THROAT PLATES
 REFER
 NUMERICAL LIST.

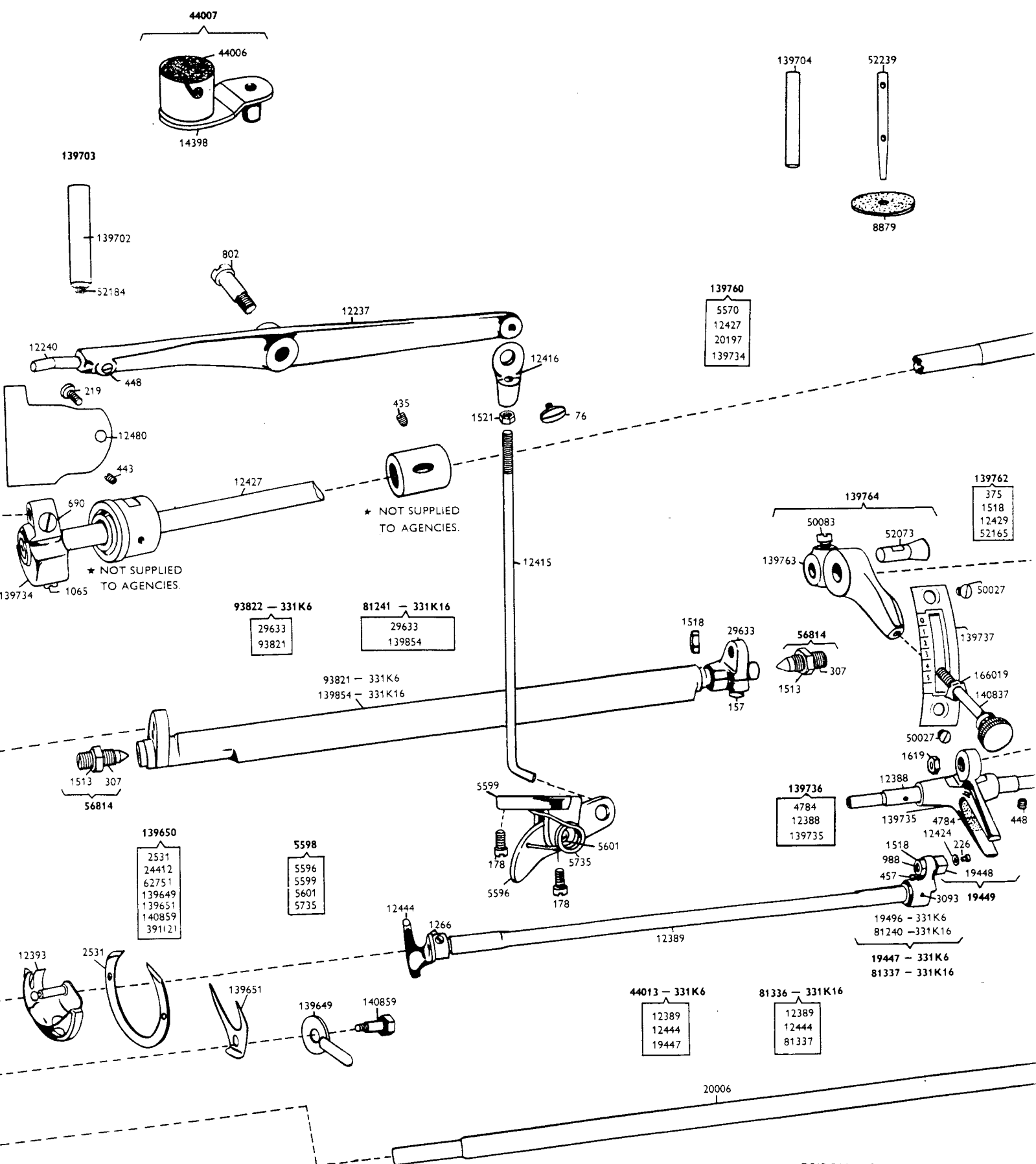
CAT. 2220.

* SUPPLIED WITH MACHINE
 UNLESS OTHERWISE
 SPECIFIED ON ORDER.

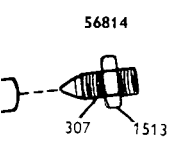
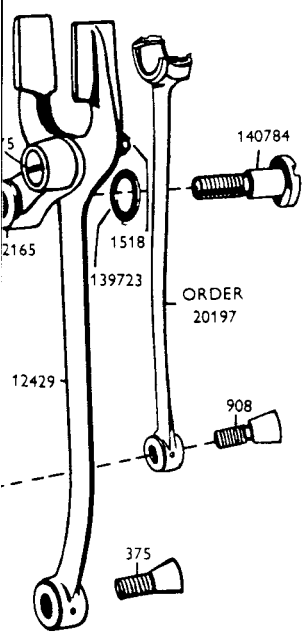
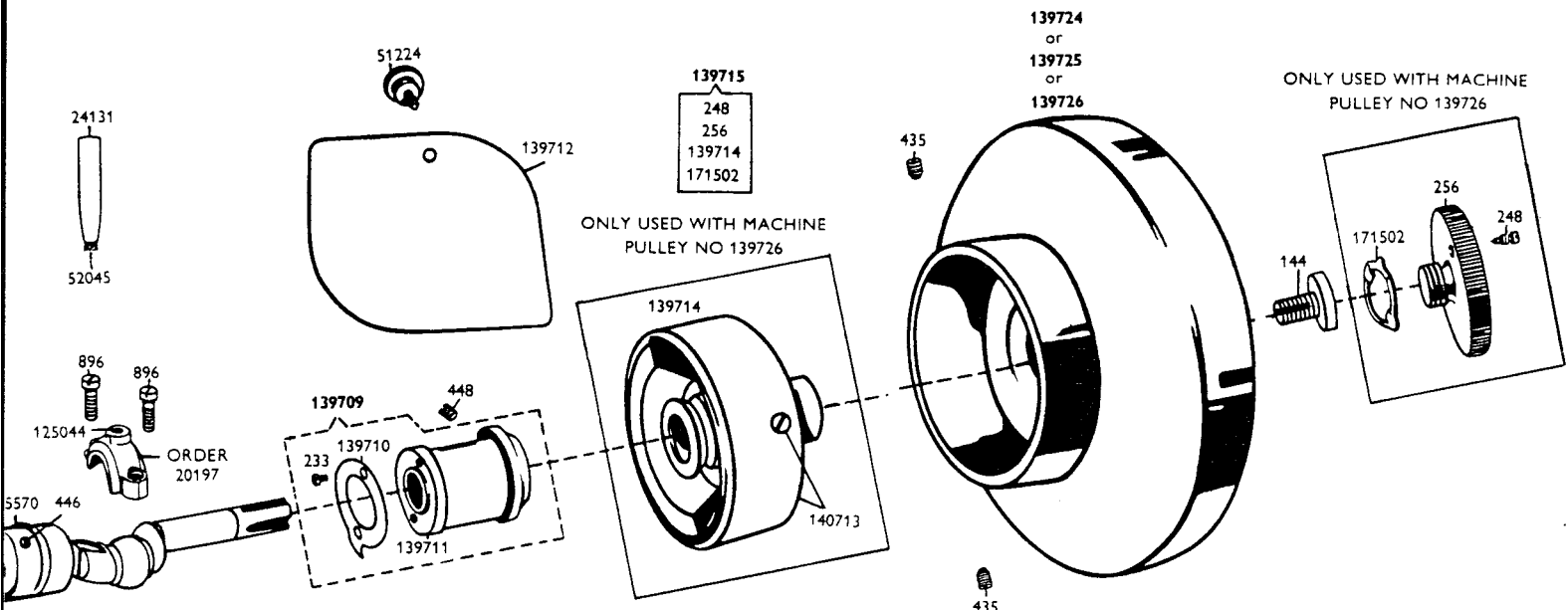
- | |
|--------|
| 243 |
| 93390 |
| 93391 |
| 93823 |
| 109339 |
| 109340 |

- | |
|--------|
| 93390 |
| 93391 |
| 109339 |
| 109340 |
| 109826 |
| 139855 |

- | |
|---------|
| 151 |
| 240 |
| 999 |
| 2254 |
| 2255 |
| 2256 |
| 2258 |
| 3114 |
| 93825 |
| 93826 |
| 93827 |
| 93828 |
| 109079 |
| 183 (2) |



DRIP PAN NO 80865
 (NOT ILLUSTRATED)
 SUPPLIED WITH MACHINE.



ACCESSORIES

SUPPLIED WITH MACHINE

86720

93817

104212

2996

12361

87623

161294

161295

CAT. 2220 (6)

AVAILABLE AT NO EXTRA CHARGE IF SPECIFIED ON ORDER

225258

174112—FOR USE WITH MACHINE PULLEY No. 139724
93849—FOR USE WITH MACHINE PULLEY No. 139725

27544

27647

27308

Tool 293

AVAILABLE AT AN EXTRA CHARGE IF SPECIFIED ON ORDER

27739

BOBBIN WINDER No. 27544 AVAILABLE IN PLACE OF BOBBIN WINDER No. 104212 IF SPECIFIED ON ORDER

FOOT LIFTER No. 93847 AVAILABLE IN PLACE OF KNEE LIFTER No. 93817 IF SPECIFIED ON ORDER

93847

6439

4885

LIST OF PARTS FOR 331K6 AND 331K16 MACHINE

<u>Part No.</u>	<u>Description</u>	<u>Part No.</u>	<u>Description</u>
61(806)	Feed Wheel Driver Link Hinge Screw.	988(803)	Oscillating Shaft Crank Slide Block Screw Stud.
76(819)	Knee or Foot Lifter Lifting Lever Connecting Rod Joint Hinge Screw.	999(803)	Feed Wheel Frame Adjuster Link Hinge Screw.
144(803)	Arm Shaft Screw.	1065(830)	Needle Bar Crank Position Screw.
145(805)	Shuttle Race Screw.	1133(830)	Needle Bar Bushing (lower) Set Screw.
151(803)	Feed Wheel Friction Plate Screw.	1133(830)	Needle Bar Bushing (upper) Set Screw.
157(813)	Feed Rock Shaft Crank Clamping Screw.	1208(819)	Shuttle Race Slide Spring Screw.
178(805)	Knee or Foot Lifter Bell Crank Bracket Screw.	1266(803)	Shuttle Driver Set Screw.
183(803)	Feed Wheel Friction Spring Screw.	1513(809)	Feed Rock Shaft Screw Centre Nut.
183(803)	Feed Wheel Retaining Clutch Cap Screw.	1513(809)	Feed Wheel Frame Shaft Screw Centre Nut.
190(809)	Roller Presser Screw.	1518(805)	Feed Connecting Link Hinge Screw Nut.
196(806)	Needle Clamp Screw.	1518(809)	Feed Forked Connection Hinge Screw Nut.
207(805)	Needle Bar Connecting Stud Clamping Screw.	1518(809)	Oscillating Shaft Crank Slide Block Screw Stud Nut.
219(809)	Arm Side Cap Screw.	1520(813)	Presser Bar Lifter Screw Nut.
225(806)	Slack Thread Regulator Adjusting Screw.	1521(805)	Knee or Foot Lifter Lifting Lever Connecting Rod Lock Nut.
226(804)	Oscillating Shaft Crank Slide Block Cap Screw.	1528(809)	Roller Screw Nut.
233(805)	Arm Shaft Flanged Bushing (back) Oil Drip Screw.	1560(803)	Tension Regulating Thumb Nut.
233(809)	Needle Bar Thread Guard Screw.	1619(805)	Crank Connecting Rod Hinge Screw Nut.
240(804)	Feed Wheel Retaining Clutch Spring Screw.	1655(805)	Feed Wheel Driver Link Hinge Screw Nut for 331K6.
243(803)	Feed Wheel Driver Block (inside) Screw Stud End Screw for 331K6.	1841	Roller. $\frac{7}{8}$ " diam., (fine), with 652(804) and 1528(809).
248(801)	Clamp Stop Motion Clamp Stop Screw for 139715.	1904	Needle Bar Connecting Stud Roller (roller only).
256(818)	Clamp Stop Motion Clamp Screw for 139715.	2102	Tension Disc.
304(803)	Feed Wheel Frame Shaft Screw Centre (left).	2167	Needle Clamp, with 196(806).
307(803)	Feed Rock Shaft Screw Centre.	2254	Feed Wheel Retaining Clutch.
307(803)	Feed Wheel Frame Shaft Screw Centre (right).	2255	Feed Wheel Retaining Clutch Cap.
335(813)	Thread Take-up Lever Guard Screw.	2256	Feed Wheel Retaining Clutch Spring.
375(803)	Feed Connecting Link Hinge Screw.	* 2258	Feed Wheel
375(803)	Feed Forked Connection Hinge Screw.		* Supplied with machine unless otherwise specified on order.
391(813)	Shuttle Bobbin Case Position Plate Screw.	2265	Feed Wheel Driver Spring for 331K6.
435(830)	Arm Shaft Bushing (intermediate) Set Screw.	2266	Feed Wheel Driver Spring Hook for 331K6.
435(830)	Machine Pulley Set Screw.	2531	Shuttle Race Back.
435(830)	Thread Take-up Lever Link Hinge Pin Set Screw.	2532	Shuttle Race Back Position Pin (not illustrated).
443(830)	Arm Shaft Bushing (front) Set Screw.	2973	Shuttle Bobbin Case Latch Lever.
446(830)	Feed Eccentric Set Screw.	2974	Shuttle Bobbin Case Latch Lever Fulcrum Pin.
448(830)	Arm Shaft Flanged Bushing (back) Set Screw.	2975	Shuttle Bobbin Case Latch Spring.
448(830)	Knee or Foot Lifter Lifting Lever Pin Set Screw.	2996	Shuttle Bobbin.
448(830)	Oscillating Rock Shaft Hinge Pin Set Screw.	3093	Oscillating Shaft Crank Pin.
448(830)	Thread Take-up Spring Regulator Set Screw.	3094	Thread Take-up Crank Wedge (not illustrated).
453(830)	Feed Wheel Frame Set Screw.	3114	Feed Wheel Friction Plate.
453(830)	Presser Bar Guide Bracket Set Screw.	4307	Shuttle Race Slide Spring.
456(830)	Roller Arm Bracket Position Collar Set Screw.	4784	Oscillating Rock Shaft Oil Pad.
457(830)	Oscillating Shaft Crank Set Screw.	5570	Feed Eccentric, with 446(830).
591(806)	Shuttle Tension Regulating Screw.	5596	Knee or Foot Lifter Bell Crank.
592(805)	Shuttle Bobbin Case Latch Stop Screw.	5598	Knee or Foot Lifter Bell Crank 5596 with 5599, 5601 and 5735.
624(830)	Thread Retainer Set Screw.	5599	Knee or Foot Lifter Bell Crank Bracket.
652(804)	Roller Screw.	5601	Knee or Foot Lifter Bell Crank Hinge Pin.
662(830)	Shuttle Race Cap Screw.	5709	Shuttle Race Cap.
688(809)	Pressure Regulating Thumb Screw.	5735	Knee or Foot Lifter Bell Crank Spring.
689(803)	Presser Bar Lifter Screw.	5750	Thread Take-up Crank Wedge 3094 with 690(805), (not illustrated).
690(805)	Thread Take-up Crank Wedge Screw.	7336	Thread Take-up Spring Regulator.
691(850)	Throat Plate Screw.	8879	Arm Spool Pin Washer (cloth).
766(804)	Knee or Foot Lifter Lifting Lever Link Hinge Screw.	* 11167	Presser Bar Spring (light).
775(805)	Thread Take-up Lever Cap Screw.		* Supplied with machine unless otherwise specified on order.
794(805)	Needle Bar Connecting Link Adjusting Screw.	11170	Presser Bar Spring Washer.
802(819)	Knee or Foot Lifter Lifting Lever Hinge Screw.	12139	Presser Bar Spring (medium).
896(805)	Crank Connecting Rod Cap Screw.	12237	Knee or Foot Lifter Lifting Lever with 448(830).
908(803)	Crank Connecting Rod Hinge Screw.	12240	Knee or Foot Lifter Lifting Lever Pin.
987(805)	Roller Arm Bracket Screw Stud (not illustrated).	12241	Knee or Foot Lifter Lifting Lever Link.
		12327	Presser Bar Lifting and Releasing Lever Bracket.
		12329	Tension Releasing Lever Spring.

<u>Part No.</u>	<u>Description</u>	<u>Part No.</u>	<u>Description</u>
12382	Needle Bar Connecting Link, with 794(805).	44245	Needle Bar Thread Guard.
12388	Oscillating Rock Shaft Hinge Pin.	50027(819)	Stitch Indicator Plate Screw.
12389	Oscillating Shaft.	50083(830)	Feed Connecting Link Hinge Stud Set Screw.
12393	Shuttle Body.	50327(803)	Tension Screw Stud.
12398	Tension Releasing Lever Hinge Pin.	51224(818)	Face Plate Thumb Screw.
12404	Thread Take-up Crank.	51224(818)	Arm Side Cover Thumb Screw.
12415	Knee or Foot Lifter Lifting Lever Connecting Rod.	51354(803)	Face Plate Screw.
12416(813)	Knee or Foot Lifter Lifting Lever Connecting Rod Joint.	52016	Presser Bar Lifter.
12424	Oscillating Shaft Crank Slide Block Cap Screw Washer.	52045	Arm Oil Tube Packing (braided cotton).
12427	Arm Shaft.	52073	Feed Connecting Link Hinge Stud.
12429	Feed Forked Connection.	52165	Feed Connecting Link.
12431(819)	Shuttle Race Slide.	52184	Arm Oil Tube Packing (wick).
12444	Shuttle Driver with two 1266(803).	52239	Arm Spool Pin and Thread eyelet.
12454	Arm Oil Tube with 132590.	52454	Thread Retainer.
12480	Arm Side Cap.	56814	Feed Rock Shaft Screw Centre 307(803) with 1513(809).
14398	Oil Cup.	56814	Feed Wheel Frame Shaft Screw Centre (right) 307(803), with 1513(809).
15140	Shuttle Bobbin Case Latch.	62740	Shuttle Bobbin Case with 591(806), 592(805), 2975, 15141 and 15278.
15141	Shuttle Bobbin Case Hinge, Nos. 2973, 2974 and 15140.	62749	Shuttle Race Body.
15278	Shuttle Tension Spring.	62751	Shuttle Race Body 62749 with 5709, two each 662(830) and 2532.
16572	Roller Arm.	80865	Drip Pan, with four wood screws $\frac{1}{2}$ " No.5.
* 16580	Roller Presser, complete, $\frac{7}{8}$ " fine roller, Nos.1841 and 16572.	81240	Oscillating Shaft Crank for 331K16.
		81241	Feed Rock Shaft complete, Nos., 29633 and 139854 for 331K16.
	* Supplied with machine unless otherwise specified on order.	81335	Feed Wheel Driver complete, Nos. 93390, 93391, 109339(803), 109340(803), 109826 and 139855 for 331K16.
19292	Shuttle 1 11/16" diam., complete, Nos.2996, 12393 and 62740.	81336	Oscillating Shaft 12389 with 12444 and 81337 for 331K16.
19441	Presser Bar (hollow).	81337	Oscillating Shaft Crank complete, Nos.457(830), 1518(809), 19449 and 81240 for 331K16.
19442	Roller Arm Bracket.	93390	Feed Wheel Driver Block (inside).
19443	Roller Arm Bracket Position Collar, with 456(830).	93391	Feed Wheel Driver Block (outside).
19444	Roller Arm Bracket Spring (not illustrated).	93821	Feed Rock Shaft for 331K6.
19445	Roller Arm Bracket Spring Pin (not illustrated).	93822	Feed Rock Shaft, complete Nos.29633 and 93821 for 331K6.
19446	Roller Arm Bracket Spring Stud (not illustrated).	93823	Feed Wheel Driver with 2266 for 331K6.
19447	Oscillating Shaft Crank, complete Nos.457(830), 1518(809), 19449 and 19496 for 331K6.	93824	Feed Wheel Driver, complete Nos.243(803), 93390, 93391, 93823, 109339(803) and 109340(803) for 331K6.
19448	Oscillating Shaft Slide Block.	93825	Feed Wheel Frame with 453(803).
19449	Oscillating Shaft Crank Slide Block complete, Nos.226(804), 988(803), 12424 and 19448-930.	93826	Feed Wheel Frame Adjuster.
19464	Presser Bar, complete, Nos.190(809), 19441 to 19443 and 24445.	93827	Feed Wheel Frame Adjuster Link.
19496	Oscillating Shaft Crank for 331K6.	93828	Feed Wheel Friction Spring.
20006	Feed Wheel Frame Shaft.	93829	Feed Wheel Frame, complete, Nos. 151(803), 240(804), 999(803), 2254 to 2256, 2258, 3114, 93825 to 93828, 109079 and two 183(803).
20023	Presser Bar Spring (heavy).	99627	Arm Oil Tube with 52045.
20059	Presser Bar Guide Bracket, with 453(830).	109079	Feed Wheel Frame Adjuster Thumb Screw.
20060	Slack Thread Regulator.	109339(803)	Feed Wheel Driver Block (outside) Screw Stud.
20197	Crank Connecting Rod, with 125044 and two 896(805).	109340(803)	Feed Wheel Driver Block (inside) Screw Stud.
20263(850)	Throat Plate (medium oblong needle hole).	109353(803)	Feed Wheel Frame Adjuster Link Screw Stud.
24131	Arm Oil Tube with 52045.	109706(830)	Belt Guard Set Screw (not illustrated).
24412	Shuttle Bobbin Case Position Plate.	109826	Feed Wheel Driver Spring Stud for 331K16.
24445	Roller Arm Bracket Spring Stud, complete, Nos.987(805) and 19444 to 19446,	113133	Feed Wheel Driver Link Hinge Screw Nut for 331K16.
24810	Shuttle Race Slide, complete, Nos.4307, 12431(819) and two 1208(819).	125044	Crank Connecting Rod Oil Pad (felt).
29633	Feed Rock Shaft Crank, with 157(813).	125344	Feed Wheel Frame Shaft Screw Centre (left) 304(803) with 1513(809).
32574	Tension Releasing Pin.	132590	Arm Oil Tube Packing (braided cotton).
43944	Tension Releasing Lever.	139615	Face Plate Thread Guard (upper).
43946	Thread Take-up Spring.	139649	Shuttle Race Back Spring (quick) Release Lever.
44006	Oil Cup Packing (felt).	139650	Shuttle Race with Quick Release Lever, complete, Nos.2531, 24412, 62751, 139649, 139651, 140859(803), and two 391(813).
44007	Oil Cup, complete, Nos.14398 and 44006.	139651	Shuttle Race Back Spring.
44013	Oscillating Shaft 12389 with 12444 and 19447 for 331K6.	139702	Arm Oil Tube.
44102	Feed Wheel Driver Link.	139703	Arm Oil Tube 139702 with 52184.
44141	Tension Screw Stud 50327(803) with 1560(803).	139704	Arm Oil Tube.

<u>Part No.</u>	<u>Description</u>
*	Arm Shaft Bushing (front).
*	Arm Shaft Bushing (intermediate).
*	Arm Shaft Flanged Bushing (back).
* Not Supplied to Agencies	
139709	Arm Shaft Flanged Bushing (back) with 233(805), 139710 and 139711.
139710	Arm Shaft Flanged Bushing (back) Oil Drip.
139711	Arm Shaft Flanged Bushing (back) Oil Pad.
139712	Arm Side Cover.
139714	Clamp Stop Motion Flanged Bushing with two 140713(830) for 139715.
139715	Clamp Stop Motion, complete, Nos.248(801), 256(818), 139714 and 171502 for use with Machine Pulley No.139726.
139716	Face Plate.
139717	Face Plate, complete, Nos.139615, 139716, and 139768.
139723	Feed Regulator Hinge Screw Friction Washer.
139724	Machine Pulley (Disc) 'V' belt groove (diam. of belt groove 2.9"), with two 435(830) for Latin America, Orient and United States.
* 139725	Machine Pulley (Disc, Heavy Rim) 'V' belt groove (diam. of belt groove 2.9") with two 435(830).
* Supplied with machine unless otherwise specified on order.	
139726	Machine Pulley (Disc, Heavy Rim) Round Belt (diam. of belt groove 3").
139729	Needle Bar Bushing (lower).
139730	Needle Bar Bushing (upper).
139731	Needle Bar Connecting Link 12382 with 139733.
139733	Needle Bar Connecting Stud 139765 with 1904.
139734	Needle Bar Crank with 1065(830).
139735	Oscillating Rock Shaft.
139736	Oscillating Rock Shaft, complete, Nos.4784, 12388 and 139735.
139737	Stitch Indicator Plate.
139738	Tension, complete, Nos.7336, 32574, 43946, 44141, 147151, 147152 and two 2102.
139740	Thread Take-up Lever with 139742.
139741	Thread Take-up Lever Link.
139742	Thread Take-up Lever Thread Eyelet Bushing.
139743	Thread Take-up, complete Nos.775(805), 12404, 139731, 139740, 139741 and 166024.
139744	Needle Bar (hollow).
139745	Needle Bar 139744 with 233(809), 2167 and 44245.
139760	Arm Shaft 12427 with 5570, 20197 and 139734.
139762	Feed Forked Connection complete, Nos.375(803), 1518(809), 12429 and 52165.
139763	Feed Regulator with 50083(803).
139764	Feed Regulator 139763 with 52073.
139765	Needle Bar Connecting Stud with 207(805).
139766	Thread Take-up Lever Guard.
139768	Face Plate Thread Guard (lower).
139854	Feed Rock Shaft for 331K16.
139855	Feed Wheel Driver for 331K16.
139856	Feed Wheel Driver Spring for 331K16.
140713(830)	Clamp Stop Motion Flanged Bushing Set Screw for 139714.
140784(803)	Feed Regulator Hinge Screw.
140837(818)	Feed Regulator Thumb Screw.
140859(803)	Shuttle Race Back Spring Screw.
147151	Tension Releasing Disc.
147152	Tension Spring.
166019	Stitch Indicator.
166024	Thread Take-up Lever Link Hinge Pin.
171502	Clamp Stop Motion Clamp Washer for 139715.

<u>Part No.</u>	<u>Description</u>
<u>ALTERNATIVE FEED WHEELS, ROLLER PRESSERS AND THROAT PLATES.</u>	
<u>Part No.</u>	<u>Description</u>
386(804)	Roller Screw for 1911 and 1912.
388(804)	Roller Screw for 51801 and 51802.
652(804)	Roller Screw for 1868.
1528(809)	Roller Screw Nut for 1868, 1911 and 1912.
1550(809)	Roller Screw Nut for 51801 and 51802.
1868	Roller, 1/2" diam., (coarse), with 652(804) and 1528(809) for 16579.
1911	Roller, 1 1/4" diam., (coarse), with 386(804) and 1528(809) for 16581.
1912	Roller, 1 1/4" diam., (fine), with 386(804) and 1528(809) for 16582.
15022	Feed Wheel (coarse teeth).
16572	Roller Arm for 16579.
16573	Roller Arm for 16581 and 16582.
16579	Roller Presser, 1/2" diam., coarse roller, complete, Nos.1868 and 16572.
16581	Roller Presser, 1 1/4" diam., coarse roller, complete, Nos.1911 and 16573.
16582	Roller Presser, 1 1/4" diam., fine roller, complete, Nos.1912 and 16573.
20165(850)	Throat Plate (small oblong needle hole).
20262(850)	Throat Plate (large oblong needle hole).
20264(850)	Throat Plate (small oblong needle hole).
24903	Roller Arm for 24904 and 24905.
24904	Roller Presser, 1/16" diam., coarse roller, complete, Nos.24903 and 51801.
24905	Roller Presser, 9/16" diam., fine roller, complete, Nos.24903 and 51802.
51801	Roller, 9/16" diam., coarse, with 388(804) and 1550(809) for 24904.
51802	Roller, 9/16" diam., fine, with 388(804) and 1550(809) for 24905.
<u>ACCESSORIES</u>	
Tool 293	Belt Guard Support Screw Key.
2996	Bobbin.
4885	Foot Lifter Treadle.
* 6439	Foot Lifter Chain, 36" to 45".
* When ordering state length required.	
12361	Machine Hinge Connection.
27308	Bobbin Winder Spool Stand for 27544.
27544	Bobbin Winder (swinging automatic, right hand) complete Nos. 27308 and 27647.
27647	Bobbin Winder for 27544.
27739	Thread Unwinder Thread Cone (Wood).
86720	Oiler.
87623	Machine Rest Pin.
93817	Knee Lifter Rock Shaft complete.
93847	Foot Lifter Rock Shaft complete.
93849	Belt Guard for use with Machine Pulley No.139725.
104212	Bobbin Winder (swinging automatic, right hand).
161294	Screw Driver (machine).
161295	Screw Driver (shuttle tension).
174112	Belt Guard for use with Machine Pulley No.139724.
225258	Thread Unwinder (for two spools).

Refer to illustrated side of Chart to determine Accessories supplied with machine as Standard.