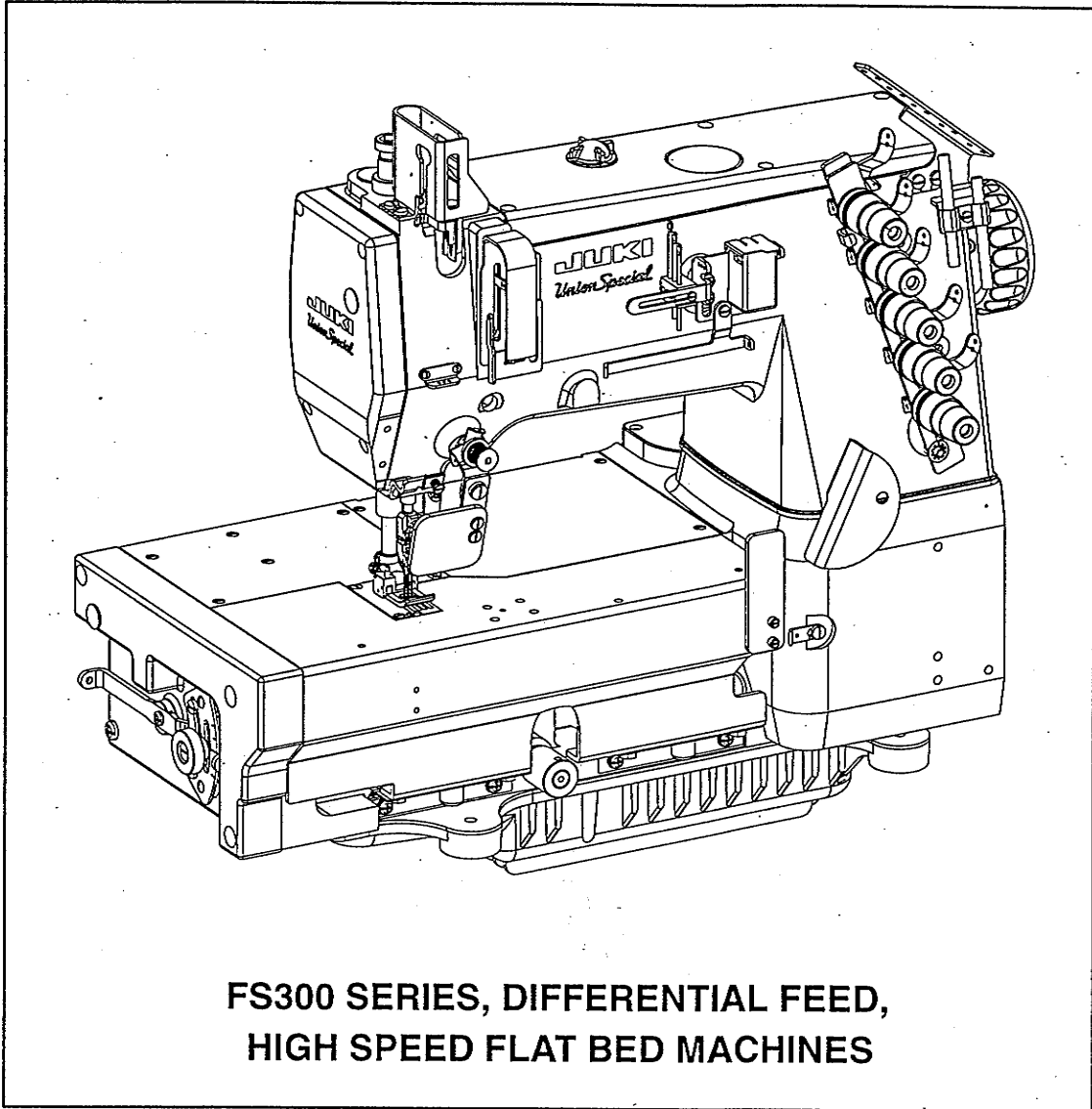




JUKI

Union Special

ILLUSTRATED PARTS SUPPLEMENT



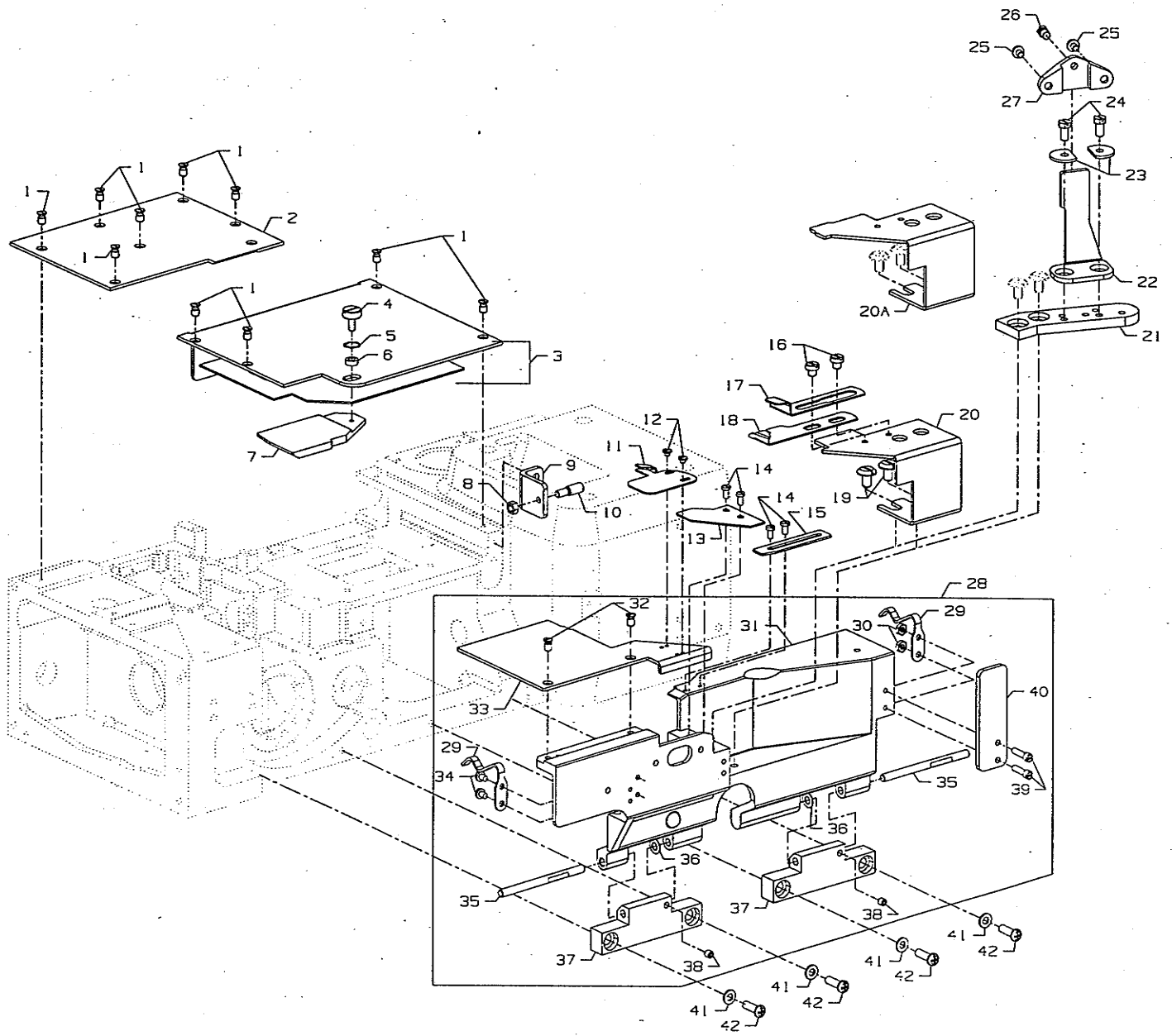
**FS300 SERIES, DIFFERENTIAL FEED,
HIGH SPEED FLAT BED MACHINES**

MANUAL NO. PT9812

FOR STYLES

FS332U06

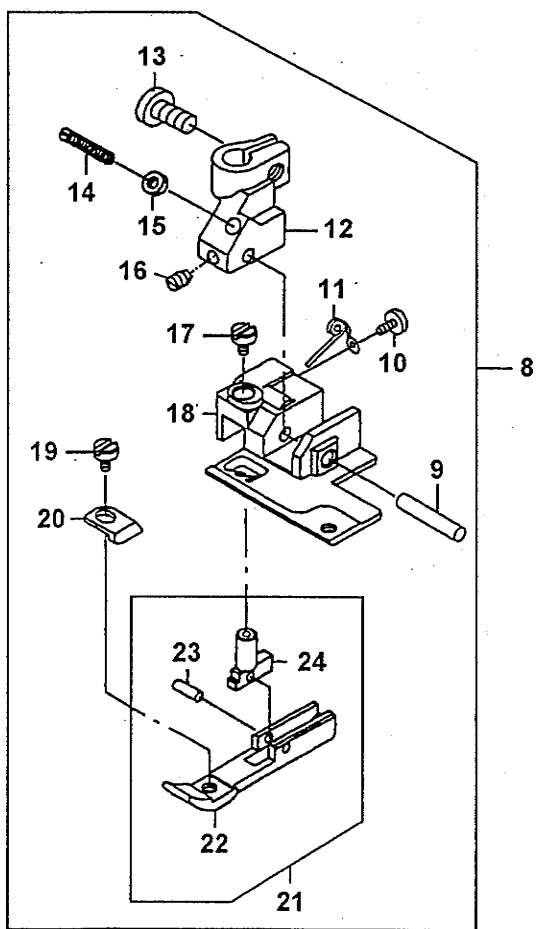
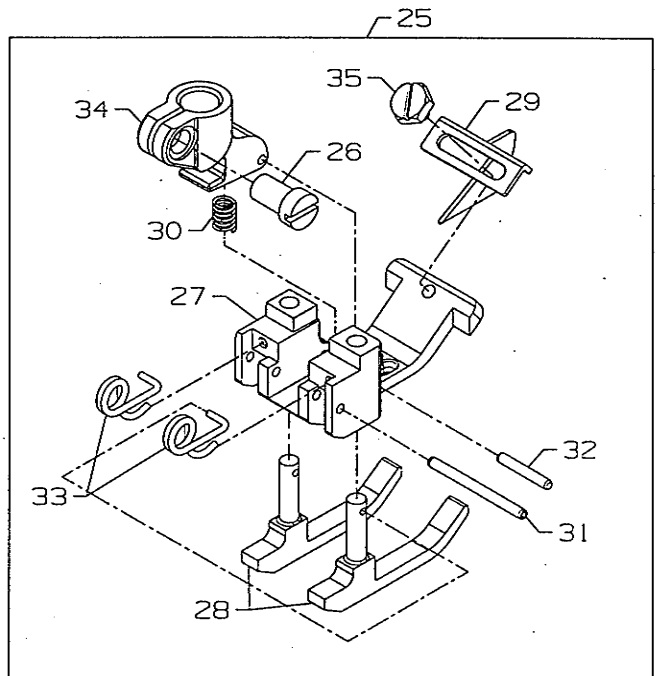
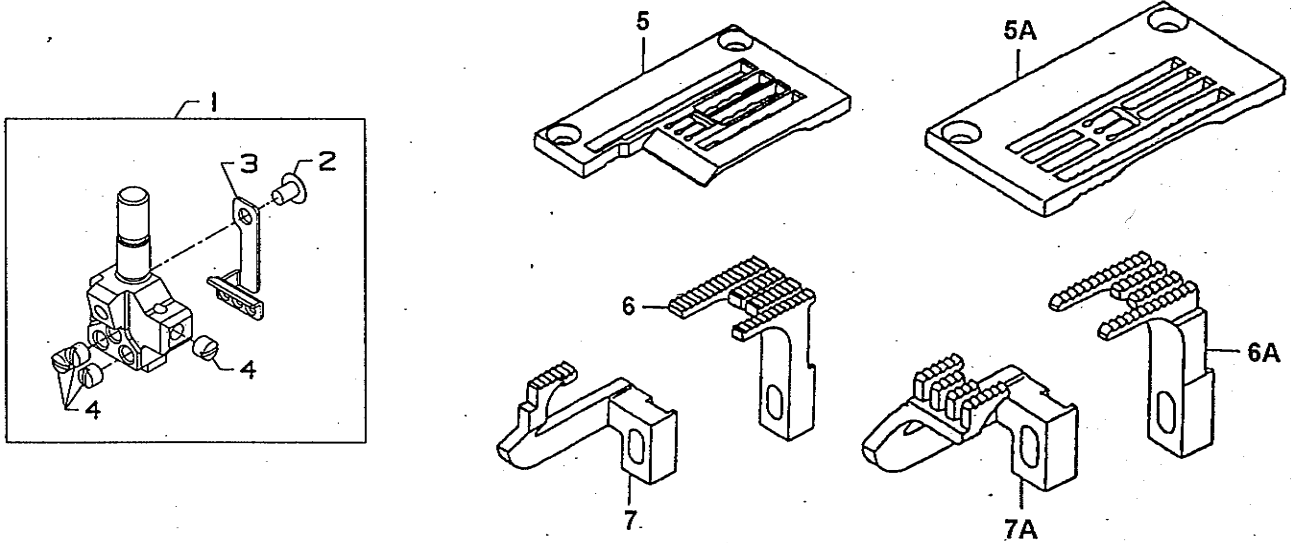
FS332C02



MISCELLANEOUS PARTS

Ref. No.	Part No.	Description	Amt. Req.
1.	18-1448	Screw, cloth plates	11
2.	50301CR	Cloth Plate, left	1
3.	50301CS	Cloth Plate, right	1
4.	MAL01110000	Screw	1
5.	WZ0850302K0	Washer	1
6.	B301314H0A	Washer	1
7.	50362J	Swing cover	1
8.	35569J	Nut	1
9.	50357AC	Support bracket	1
10.	22799AH	Stud	1
11.	50303C	Edge Guide, For C02 Styles	1
12.	187A	Screw, For C02 Styles	2
13.	50382BB	Guard, For C02 Styles	1
14.	77L	Screw, For C02 Styles	4
15.	50343A	Plate, For C02 Styles	1
16.	95169	Screw	2
17.	34703F2	Folder, upper	1
18.	34703FA1	Folder, lower	1
19.	22517B	Screw	2
20.	50364AC	Folder Support, For U06 Styles	1
20A.	50364AE	Folder Support, For C02 Styles	1
21.	50364M	Holder Bracket, For C02 Styles	1
22.	52864W	Folder Support Bracket, For C02 Styles	1
23.	50368H	Washer, For C02 Styles	2
24.	22882E	Screw, For C02 Styles	2
25.	SS7110510SP	Screw, For C02 Styles	2
26.	22852G	Screw, For C02 Styles	1
27.	23432B	Holder Clamp, For C02 Styles	1
28.	29476YA	Front cover assembly	1
29.	50332A	Latch spring	2
30.	41071G	Nut	2
31.	50382FT	Front cover	1
32.	22525A	Screw	2
33.	50301CT	Cloth plate, left	1
34.	22513D	Screw	2
35.	50347P	Hinge pin	2
36.	97127	Spring washer	2
37.	50378T	Hinge	2
38.	22894W	Screw	2
39.	22729D	Screw	2
40.	50363CH	Front cover lever	1
41.	8372A	Washer	4
42.	SS4121415SP	Screw	4



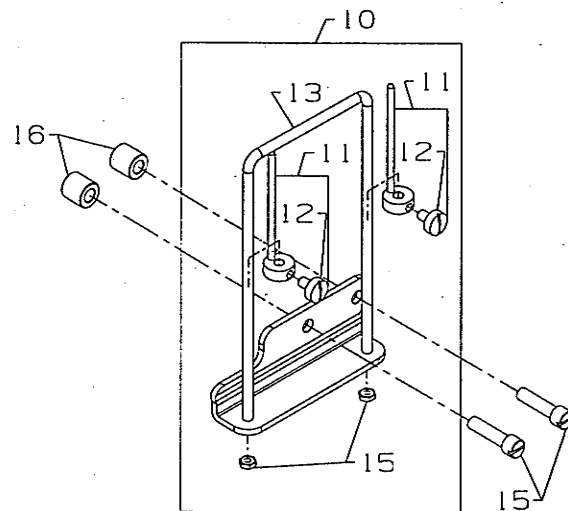
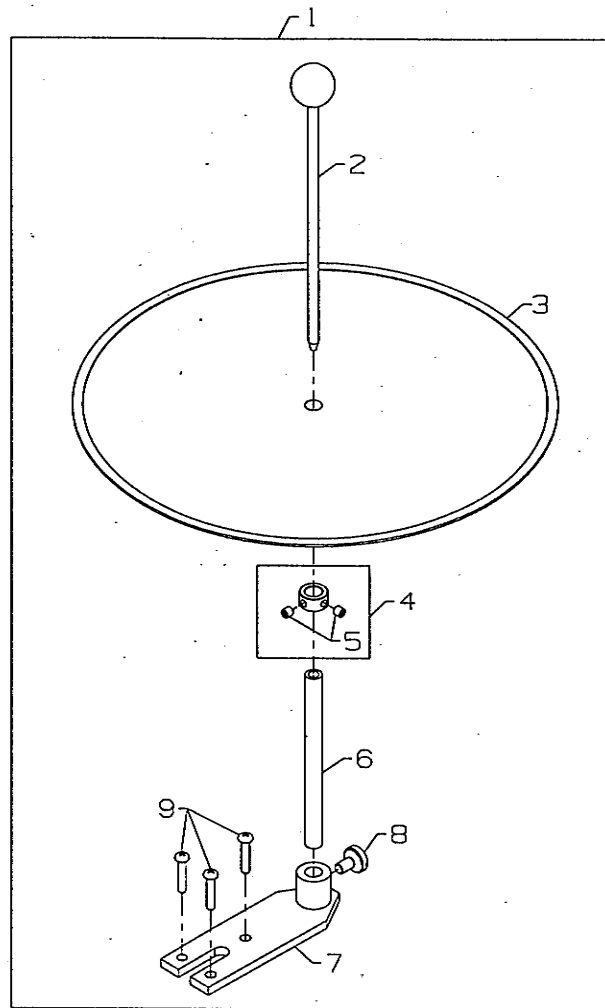


SEWING PARTS

Ref. No.	Part No.	Description	Amt. Req.
1.	-----	Needle Head, All styles (see chart)	1
2.	SS5060410SP	Screw	1
3.	50318AE56	Eyelet, Needle Head	1
4.	SS8080310TP	Screw	4
5.	-----	Throat Plate, For C02 styles (see chart)	1
5A.	-----	Throat Plate, For U06 styles (see chart)	1
6.	-----	Main Feed Dog For C02 styles (see chart)	1
6A.	-----	Main Feed Dog For U06 styles (see chart)	1
7.	-----	Differential Feed Dog For C02 styles (see chart)	1
7A.	-----	Differential Feed Dog For U06 styles (see chart)	1
8.	-----	Presser Foot For C02 styles (see chart)	1
9.	PH0300164CO	Parallel Pin	1
10.	50330FU	Set Screw	1
11.	50330FR	Step Presser Spring	1
12.	50330FP	Presser Foot Shank	1
13.	SM7040800SL	Screw	1
14.	18C1475	Presser Foot Stopper Screw	1
15.	NM6030001SD	Nut	1
16.	SM8030500SP	Screw	1
17.	50330FS	Step Presser Spring Holder	1
18.	50330FM56	Presser Foot Bottom	1
19.	SM4030300SC	Screw	1
20.	50330FV	Tape Pick-up Guide	1
21.	50330FL56	Step Presser Foot Assembly	1
22.	50330FW	Step Presser	1
23.	PH200063CO	Pin	1
24.	50330FN	Step Presser Foot	1
25.	-----	Presser Foot For U06 styles (see chart)	1
26.	SS6090810TP	Screw	1
27.	50330GD56	Presser Foot Bottom	1
28.	50330GB	Yielding Section	2
29.	50330GA	Cloth Guide	1
30.	50330FF	Spring	1
31.	50330FE	Roll Pin	1
32.	50330FD	Pin	1
33.	50330FB	Spring	1
34.	50330EY	Presser Foot Shank	1
35.	18C1478	Screw	1

MODEL	NEEDLE HEAD	PRESSER FOOT ASSEMBLY	THROAT PLATE	FEED DOG MAIN	FEED DOG DIFFERENTIAL
FS332U06-3B56	50318AM56	50320CD56	50324DF56	50305B'W	503268P
FS332U06-3B64	50318AM64		50324DF64	50305CB	503268W
FS332C02-3B56	50318AM56	50320CB56	50324AU56	50305BX	503268T
FS332C02-3B64	50318AM64		50324AU64		

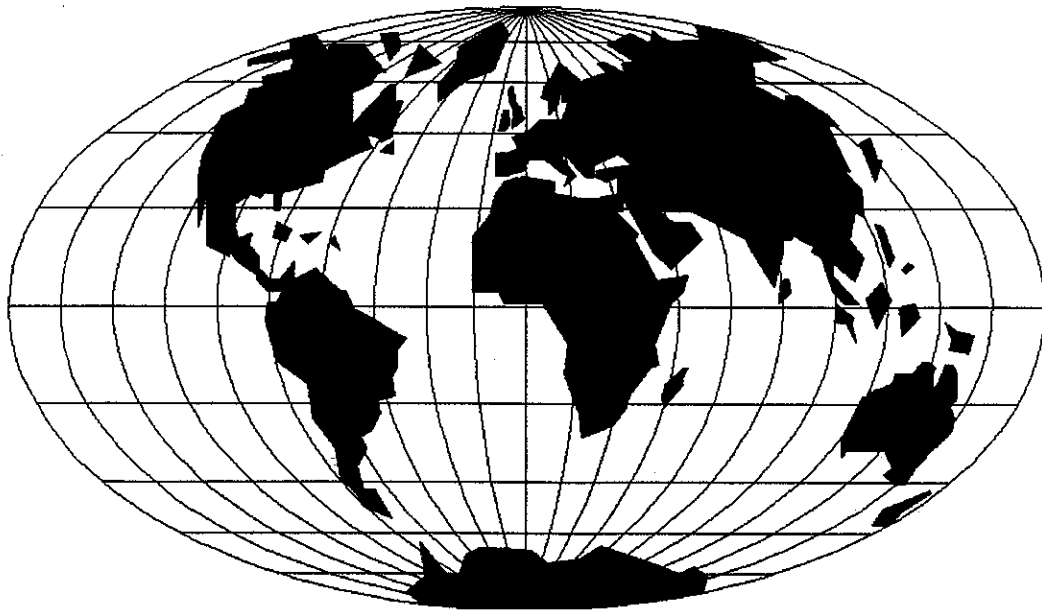




ACCESSORIES
FOR C02 STYLES

Ref. No.	Part No.	Description	Amt. Req.
1.	29480AHU	Thread Stand	1
2.	50322L	Support Shaft	1
3.	50392C	Tape Disc	1
4.	482C	Collar	1
5.	22894C	Screw	2
6.	50322H	Shaft	1
7.	50364A	Holder	1
8.	22728	Thumb Screw	1
9.	90561K	Wood Screw	3
10.	23439LA	Tension Assembly	1
11.	50378Z	Adjustable Pin	2
12.	MAL01110000	Screw	1
13.	51-856BLK	Guide	1
14.	907	Nut	2
15.	SS6151920SP	Screw	2
16.	54264D	Spacer	2





WORLDWIDE SALES AND SERVICE

Union Special Corporation maintains sales and service facilities throughout the world. These offices will aid you in the selection of the right sewing equipment for your particular operation. Union Special Corporation representatives and service technicians are factory trained and are able to serve your needs promptly and efficiently. Whatever your location, there is a qualified representative to serve you.

Brussels, Belgium
Charlotte, N.C.
El Paso, TX
Hong Kong, China
Huntley, IL
Leicester, England
Lille, France
Miami, FL
Milan, Italy
Möglingen, Germany
Montreal, Quebec
Osaka, Japan
Santa Fe Springs, CA

Other Representatives throughout
all parts of the world.



Union Special
INDUSTRIAL SEWING EQUIPMENT