

Form 18361, Revised

(1040)

Printed in U. S. A.

LIST OF PARTS



MACHINES
Nos. 114-32, 114-33, 114-34
and 114-35

THE SINGER MANUFACTURING COMPANY

INSTRUCTIONS FOR OILING

To insure easy running and prevent unnecessary wear of the parts which are in movable contact, the machine requires oiling, and when in continuous use it must be oiled at least once each day with Singer "Oil for High Speed Sewing Machines (Cloth and Leather)" for general use, or "Stainless Oil for High Speed Sewing Machines" where a stainless oil is desired.

To reach the oiling points under the machine bed, remove the two front screws in the machine base; turn the machine back on its hinges and pull out the cover on the underside of the machine bed.

Copyright, U. S. A., 1928 and 1940
by The Singer Manufacturing Co.
All Rights Reserved for all Countries

INDEX

	Page
Attachments and Accessories.....	33
Button Spacing Gauges.....	34
Eye and Finger Guard.....	35
Foot Lifter Parts.....	36
Machine No. 114-32.....	5
Machine No. 114-33.....	18
Machine No. 114-34.....	31
Machine No. 114-35.....	32
Numerical List of Parts.....	39
Starting Lever.....	36
Table Belt Guide.....	37
Thread Unwinder.....	37

In ordering from this list, use ONLY the part NUMBER in the FIRST column.

The number stamped on a Sewing Machine Part is in every case the number of the single part only.

Every combination of parts sent out as such has its specific number, which, although not stamped on the parts, must be used when ordering the combination.

Each number always indicates the SAME PART in whatever list it appears, or for whatever machine.

The letters after some of the numbers indicate the style of finish only, as follows:

- A-Hardened, Polished, Nickel Plated and Buffed
- A.A-Buffed and Chromium Plated
- A.B-Hardened, Polished, Buffed and Chromium Plated
- A.C-Brown Baking Enamel Finish
- A.D-Gray Baking Enamel Finish
- A.E-Hardened, Bright Rumbled and Nickel Plated
- A.F-Hardened, Bright Rumbled, Nickel Plated, Bright Rumbled and Chromium Plated
- B-Polished, Nickel Plated and Buffed
- C-Hardened Only
- C.R-Hardened and Merlized
- D-Polished Only
- E-Soft, Not Polished
- F-Hardened and Polished
- F.J-Hardened, Polished and Nickel Plated
- G-Bright Rumbled and Nickel Plated
- H-Blued
- J-Nickel Plated Only
- K-Hardened and Nickel Plated
- L-Brass Plated
- M-Oxidized
- N-Japanned, Dull
- P-Japanned, Bright
- P.P-Wrinkle Finish
- R-Merlized
- S-Cadmium Plated
- T-Copper Plated
- T.A-Hardened, Polished, Copper and Nickel Plated and Buffed
- T.B-Copper and Nickel Plated and Polished
- T.J-Copper and Nickel Plated Only
- T.K-Hardened, Copper and Nickel Plated
- T.L-Copper and Brass Plated
- T.M-Copper Plated and Oxidized
- U-Zinc Plated
- V-Silver Plated
- W-Polished and Nickel Plated
- X-Black Oxide, for Iron and Steel
- X.C-Hardened and Black Oxide, for Iron or Steel
- Y-Black Nickel Plated Only
- Z-Chromium Plated
- Z.A-Hardened, Polished, Nickel Plated, Buffed and Chromium Plated
- Z.B-Polished, Nickel Plated, Buffed and Chromium Plated
- Z.C-Hardened and Chromium Plated
- Z.D-Polished and Chromium Plated
- Z.G-Bright Rumbled, Nickel Plated, Bright Rumbled and Chromium Plated
- Z.J-Nickel and Chromium Plated
- Z.T-Copper and Chromium Plated

These letters MUST BE USED when they appear in the list; and AFTER the number as in the list.

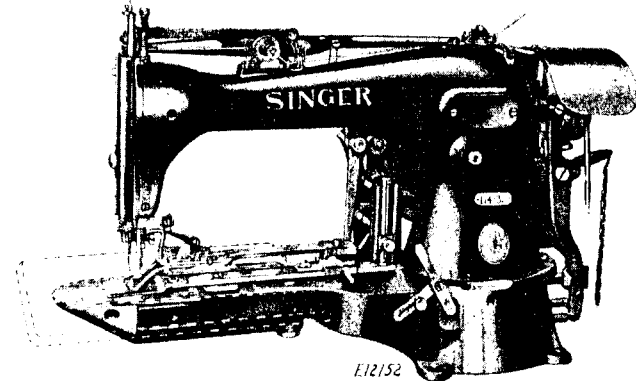
In this series:

- 1 to 1500, 50001 to 51500 and 140001 to 142000 are Screw Numbers
- 1501 to 1800 and 51501 to 51800 are Nut Numbers
- 1801 to 2000 and 51801 to 52000 are Roller Numbers
- 2001 to 50000 and 52001 to 140000 and 142001 to 190000 are Sewing Machine Parts, 190001 and upward are numbers of Electrical Parts.

The figures in the second column refer only to the plates, illustrating the parts, and are NOT TO BE USED in ordering.

Parts marked with an asterisk (*) are furnished only when repairs are made at factory.

LIST OF PARTS COMPLETE
FOR



MACHINE No. 114-32

For Sewing Two or Four Hole Flat Buttons, from 10 to 50 ligne. Makes two parallel bars in four hole buttons, 14 stitches, including cross and fastening stitches. Thread cutter. Clamp vibrates ACROSS the cylinder. Will hold button and material up to 7/16 inch thick and can be adjusted for buttons with holes 5/64 inch to 3/16 inch apart. Speed 1500 R. P. M.

No.	Plate	Name
*124845	----	Arm.....
*124825	----	" 124845 with 15404, 124839 and two each 164E and 15405.....
16532	23178	Arm Dowel Pin.....
4448	23178	" Oil Tube, for intermediate bearing..
56015	23178	" " " " oiling 59705 and 59706
136594	----	" " " " Needle Bar Connecting Link (upper) Bearing.....
880E	23178	Arm Screw.....
59702	23178	" Shaft (horizontal).....
*136541	----	" " " 59702 with 59774, 62235 and 68717.....
17703	23178	Arm Shaft (horizontal) Bushing (back)...

No.	Plate	Name
50333C	23178	Arm Shaft (horizontal) Bushing (back) Adjusting Screw.....
1520J	23178	Arm Shaft (horizontal) Bushing (back) Adjusting Screw Nut.....
59703	23178	Arm Shaft (horizontal) Gear with two 1036C.....
1036C	23178	Arm Shaft (horizontal) Gear Set Screw...
59704	23178	" " (upright).....
59705	23178	" " " Bushing (lower).....
446C	23178	" " " " " Set Screw.....
59706	23178	Arm Shaft (upright) Bushing (upper).....
446C	23178	" " " " " Set Screw.....
59707	23178	Arm Shaft (upright) Gear (lower) with two 1253C.....
1253C	23178	Arm Shaft (upright) Gear (lower) Set Screw.....
59708	23178	Arm Shaft (upright) Gear (upper) with two 1253C.....
1253C	23178	Arm Shaft (upright) Gear (upper) Set Screw.....
124674	23178	Arm Side Cover.....
190J	23178	" " " Screw.....
18498	23178	Belt Cover.....
59795	23178	" " Bracket with 184E and 59796..
184E	23178	" " " Screw Stud.....
59796	23178	" " " Stud.....
217J	23178	" " " Screw.....
39222	23153	" Shifter.....
63976	23153	" " Clamp.....
1255D	23153	" " " Screw.....
124712	9596	Brake.....
124713	-----	" 124712 with four 56493.....
124714	9596	" Adjusting Plate.....
124715	9596	" " " Handle.....
124716	-----	" " " " 124715 with 124717.....
50435J	9596	Brake Adjusting Plate Handle Hinge Screw
124717	9596	" " " " Shaft.....
124718	9596	" " " " Crank with 1253C.....
1253C	9596	Brake Adjusting Plate Handle Shaft Crank Set Screw.....
51224W	9596	Brake Adjusting Plate Thumb Screw.....
124719	9596	" " " " " Bushing
124720	9596	" Arm.....
1403D	9596	" " Hinge Screw.....
124902	23153	" " Releasing Lever.....
124901	-----	" " " " 124902 with 124903 and two 792C.....
124903	23153	Brake Arm Releasing Lever Bracket.....

No.	Plate	Name
792C	23153	Brake Arm Releasing Lever Bracket Screw.
176J	23153	" " " " Screw.....
50446D	9596	" Hinge Screw.....
56493	9596	" Pad (leather).....
124846	9596	" Spring.....
39238	23168	Button Clamp (left) with 9311 and 17723.
39239	23168	" " (right) with 9311 and 17723
124732	23168	" " Arm with 17714 and 124780..
17710	23168	" " " Hinge Plate.....
1176J	23168	" " " " " Screw.....
124780	23168	" " " Hook.....
1175E	23168	" " Hinge Screw.....
124906	23188	" " Lifter.....
190J	23188	" " " Screw.....
124711	23190	" " Locking Device Latch with two 1057J.....
1057J	23190	Button Clamp Locking Device Latch Clamping Screw.....
124678	23190	Button Clamp Locking Device Latch Shaft.
124679	23190	" " " " " Crank.....
124680	23190	Button Clamp Locking Device Latch Shaft Crank Connection.....
1282C	23190	Button Clamp Locking Device Latch Shaft Crank Connection Hinge Screw (lower)
1282C	23190	Button Clamp Locking Device Latch Shaft Crank Connection Hinge Screw (upper)
124823	23190	Button Clamp Locking Device Latch Shaft Crank Pin.....
124733	23168	Button Clamp Opening Lever.....
124734	23168	" " " " Bracket.....
1182J	23168	" " " " " Screw
124735	23188	" " " " Contact Piece
124736	23188	" " " " " Arm.....
50117J	23188	Button Clamp Opening Lever Contact Piece Arm Screw.....
1484J	23188	Button Clamp Opening Lever Contact Piece Screw.....
17718	23188	Button Clamp Opening Lever Contact Piece Screw Washer.....
99R	23168	Button Clamp Opening Lever Hinge Screw..
39241	23168	" " Pressure Spring.....
17713	23168	" " " " Bracket....
1177D	23168	" " " " " Screw
17714	23168	" " " " Guide Block
1178D	23168	" " " " " Screw.....
20437	23168	" " " " " Washer
39242	23168	" " Spreader.....
124737	23168	" " " " Lever.....

No.	Plate	Name
124738	23168	Button Clamp Spreader Lever Adjusting Plate.....
1182J	23168	Button Clamp Spreader Lever Adjusting Plate Screw.....
17718	23168	Button Clamp Spreader Lever Adjusting Plate Screw Washer.....
124739	23168	Button Clamp Spreader Lever Stop.....
50237F	23168	" " " " " Position Screw.....
1182J	23168	Button Clamp Spreader Lever Stop Screw..
17718	23168	" " " " " Washer.....
1182J	23168	Button Clamp Spreader Screw.....
17719	23168	" " " Spring.....
1181J	23168	" " " Screw Stud.
17720	23168	" " " Steady Pin.....
39244	23168	" " Spring (left).....
39245	23168	" " " (right).....
226J	23168	" " " Screw.....
9311	23168	" " " Steady Pin.....
39248	23168	" " Stop with two 17720.....
1183J	23168	" " " Screw.....
17723	23168	" " Stud.....
124740	-----	Button Clamp complete, Nos. 99R, 1181J, 1183J, 17719, 39238, 39239, 39242, 39244, 39245, 39248, 50237F, 124732 to 124734, 124737 to 124739, two each 226J, 1175E, 17718 and five 1182J...
62102	23182	Cloth Plate Guide Block (left).....
742F	23182	" " " " " Screw....
1547J	23182	" " " " " Nut
62103	23182	" " " " (right).....
3021	23182	" " " " Rivet...
190J	23182	" " Screw.....
62104	23182	" " Stop.....
26770	23182	" " Rivet.....
62182	23182	Cloth Plate complete, Nos. 742F, 1547J, 26770, 62102 to 62104 and two 3021..
*124741	-----	Cylinder with 124719.....
62189	23182	" Bottom Cover.....
124742	23182	" End Cover.....
124743	23182	" " " 124742 with 1034D, 62111, 62113, 62185, 62189, 124744 and four 1477D.....
62185	23182	Cylinder End Cover Bracket.....
62111	23182	" " " Hinge Pin....
1477D	23182	" " " Screw.....
124744	23182	" " " Hinge.....
1477D	23182	" " " Screw.....
62113	23182	" " " Spring.....

No.	Plate	Name
1034D	23182	Cylinder End Cover Spring Screw.....
124745	23178	" Oil Well Cover.....
236D	23178	" " " " Screw.....
59711	23188	Face Plate.....
59712	23188	Face Plate complete, Nos. 208D, 9544, 9545, 59711 and two each 229D, 2107 and 9543.....
164J	23188	Face Plate Screw.....
2107	23188	" " Thread Guard.....
229D	23188	" " " " Screw.....
9543	23188	" " " Nipper Disc.....
9544	23188	" " " " Cover....
208D	23188	" " " " " Screw
9545	23188	" " " " " Spring....
63940	23192	Feed Across Connection (lever end) with two 896E.....
63941	-----	Feed Across Connection (lever end) 63940 with 55381.....
55381	23192	Feed Across Connection (lever end) Ball Stud.....
641C	23192	Feed Across Connection (lever end) Ball Stud Set Screw.....
63942	23192	Feed Across Connection (regulator end) with two 896E.....
63943	-----	Feed Across Connection (regulator end) 63942 with 63944.....
63944	23192	Feed Across Connection (regulator end) Ball Stud.....
62115	23192	Feed Across Connection Adjusting Stud...
1649C	23192	" " " " " Nut (left).....
1650C	23192	Feed Across Connection Adjusting Stud Nut (right).....
896E	23192	Feed Across Connection Cap Screw.....
62147	23192	" " Lever with 641C and 1952....
124676	-----	" " " 62147 with 17737.....
17737	23192	" " " Hinge Stud.....
160J	23192	" " " " Clamping Screw.....
62118	23168	Feed Across Lever Plate with 17741.....
62119	23168	" " " " Cover.....
1094F	23168	" " " " Screw.....
55300	23168	" " " " Steady Pin.....
1952	23192	" " " Roller and Stud.....
124865	23192	" " Regulator.....
124866	-----	" " " 124865 with 1188D, 1655E, 14017 and 50324C.....
50599D	23192	Feed Across Regulator Adjusting Screw Stud.....
1676C	23192	Feed Across Regulator Adjusting Screw Stud Nut.....

No.	Plate	Name
46244	23192	Feed Across Regulator Adjusting Screw
		Stud Nut Washer (fibre).....
17738	23192	Feed Across Regulator Adjusting Screw
		Stud Nut Washer (steel).....
1188D	23192	Feed Across Regulator Hinge Screw.....
62121	23192	" " " " Link.....
50324C	23192	" " " " Screw Stud...
1655E	23192	" " " " " " Nut
14017	23192	" " " " " " " "
		Washer.....
17741	23168	Feed Across Regulator Link Stud.....
124923	23182	" Cam with two each 190J,1192C,17874, 124929, 124930 and eight 335J.....
124925	23178	Feed Cam Driving Worm with 1441C and 1442C.....
1442C	23178	Feed Cam Driving Worm Position Screw....
1441C	23178	" " " " Set Screw.....
124926	23182	" " " " Wheel with 453C....
18384	23182	" " " " Pin.....
453C	23182	" " " " Set Screw...
18384	23182	" " Pin.....
1192C	23182	" " Set Screw.....
62155	23182	" " Shaft.....
124927	-----	" " " 62155 with 1653C and 124926.....
1653C	23182	Feed Cam Shaft Nut.....
62297	23168	" Plate, for four hole buttons.....
124747	-----	" " two hole buttons.....
*18445	-----	" " Carrier Bar.....
62123	23168	" " " " 18445 with 934J, 1094F, 1195E, 8505, 17743, 18368, 62118, 62119, two 55300 and four 17806.....
59730	23168	Feed Plate Carrier Bar Pivot Block.....
50306D	23168	" " " " " " Screw
18368	23168	" " " " Plate.....
934J	23168	" " " " Screw.....
1654C	23168	" " Nut.....
17806	23168	" " Position Stud.....
1195E	23168	" " Screw Stud.....
8505	23168	" " " " Rivet.....
17742	23192	" Regulator with 1953.....
62117	23192	" " Bracket with three 160J..
160J	23192	" " " Cap Screw.....
8589	23192	" " " Dowel Pin.....
1177D	23192	" " " Screw.....
17744	23168	" " Hinge Stud.....
17743	23168	" " Post.....
1953	23192	" " Roller and Screw Stud with 1655C and 14017.....

No.	Plate	Name
1655C	23192	Feed Regulator Roller and Screw Stud Nut
14017	23192	" " " " " " "
		Washer.....
1190C	23168	Feed Regulator Stop Screw.....
17745	23168	" " Swivel.....
1191D	23168	" " Thumb Screw.....
124907	23186	Knife.....
665J	23186	" Screw.....
124988	23186	Loop Finger.....
124977	23178	" " Cam with 50274C.....
124824	23186	" " Carrier.....
124797	-----	" " " 124824 with 124753..
124752	23186	" " " Crank with 208J and 124755.....
208J	23186	Loop Finger Carrier Crank Clamping Screw
124753	23186	" " " Holder.....
208J	23186	" " " " Screw.....
124754	23186	" " " Pitman with four 218J.....
124791	-----	Loop Finger Carrier Pitman 124754 with 124752 and 124757.....
124755	23186	Loop Finger Carrier Pitman Ball Stud....
218J	23186	" " " " Cap Screw....
124757	23186	" " Driver with 51868 and 124755
124978	23178	" " " Cam with two 50150C..
50150C	23178	" " " " Set Screw.....
50183D	23186	" " " Hinge Screw.....
51868	23186	" " " Roller and Stud.....
124759	23178	" " Rocking Frame.....
229J	23186	" " Screw.....
124849	23186	" Guard.....
208D	23186	" " Screw.....
62298	23178	Looper with 34418.....
124761	23178	" Driving Shaft.....
124762	23178	" " " Bushing.....
52045	23178	" " " " Packing (cotton).....
1143C	23178	Looper Driving Shaft Bushing Set Screw..
59707	23178	" " " Gear with two 1253C
59747	23178	" " " " Cover.....
190J	23178	" " " " Screw...
1253C	23178	" " " " Set Screw.....
50274C	23178	" Set Screw.....
124763	23178	" Shaft.....
124764	23178	" Bushing.....
50189C	23178	" " " Set Screw.....
124765	23178	" " Coupling with four 50150C..
50150C	23178	" " " Set Screw.....
34418	23178	" Washer.....
62299	23188	Needle Bar with 1072F.....

No.	Plate	Name
136588	23188	Needle Bar Connecting Link with 377C, 1518J and 65135.....
377C	23188	Needle Bar Connecting Link Hinge Screw..
1518J	23188	" " " " " " Nut
65135	23188	" " " Stud with 391E....
391E	23188	" " " Set Screw....
62235	23178	" " Crank Wheel with 446C and 1293C.....
1293C	23178	Needle Bar Crank Wheel Position Screw...
446C	23178	" " " " Set Screw.....
124794	23188	" " Thread Retainer.....
124795	-----	Needle Bar Thread Retainer complete, Nos. 1449H, 124794, 124796 and 124821....
124796	23188	Needle Bar Thread Retainer Bracket with 653C and two 42639.....
653C	23188	Needle Bar Thread Retainer Bracket Set Screw.....
42639	23188	Needle Bar Thread Retainer Position Pin.
1449H	23188	" " " " Screw.....
124821	23188	" " " " Spring.....
124979	23178	" Guard.....
124980	23178	" " Cam with two 465C.....
465C	23178	" " Set Screw.....
2273	23178	" " Pin.....
124767	23178	" " Shaft.....
124983	-----	" " 124767 with 2273 and 124979.....
59761	23178	Needle Guard Shaft Collar with two 465C.
465C	23178	" " " " Set Screw....
124602	23178	" " " Crank with 124974 and two 1253C.....
51857	23178	Needle Guard Shaft Crank Roller.....
124974	-----	Needle Guard Shaft Crank Roller complete, Nos. 51857, 124698 and 124699.....
124698	23178	Needle Guard Shaft Crank Roller Bushing.
124699	23178	" " " " " " Stud.....
1253C	23178	Needle Guard Shaft Crank Set Screw.....
59765	23178	" " " Spring.....
59766	23178	" " " Collar with 624C.....
624C	23178	Needle Guard Shaft Spring Collar Set Screw.....
233J	23178	Needle Guard Shaft Spring Screw.....
124768	23178	" " Spreader.....
233J	23178	" " " Screw.....
1072F	23188	" Set Screw.....
2058	23188	Presser Bar.....
124838	23190	" " Collar and Thread Pull-off Bracket with two 196C.....

No.	Plate	Name
196C	23190	Presser Bar Collar Set Screw.....
17842	23188	" " Guide Bracket with 453C.....
453C	23188	" " " " Set Screw.....
124790	23190	" " Lifting Lever.....
124839	23190	" " " " Bracket.....
164E	23190	" " " " Screw.
1201D	23190	" " " " Hinge Screw...
17845	23190	" " " " Rod.....
17846	23190	" " " " Chain.....
32675	23188	" " Spring.....
68712	23178	Pulley (loose) 2 3/4 in. diam., with 200584D.....
68713	-----	Pulley (loose) 68712 with 68714.....
68714	23178	" " Ball Bearing.....
68715	23178	" " Bushing.....
51387R	23178	" " Cap Screw.....
200584D	23178	" " Oil Hole Plug Screw.....
68716	23178	" (tight) 2 7/8 in. diam.....
68720	-----	" " 68716 with 1206C and 17854.....
2022	23178	Pulley (tight) Pin.....
68717	-----	Pulleys (ball bearing) complete, Nos. 51387R, 68713, 68715 and 68720.....
17853	23153	Starting Lever.....
1262C	23153	" " Hinge Screw.....
1662C	23153	" " " " Nut.....
17854	23178	Stop Cam.....
17855	23153	" " Interlocking Rod.....
124784	23153	" " " " Case.....
124770	-----	" " " " 124784 with 124774, 124901 and two 176J....
124904	-----	Stop Cam Interlocking Rod Case 124770 with 63976 and two 1255D.....
124771	-----	Stop Cam Interlocking Rod Case 124904 with 1318D, 17855, 17863, 17864, 39222 and 68739.....
124772	23153	Stop Cam Interlocking Rod Case Bracket..
124773	-----	Stop Cam Interlocking Rod Case Bracket complete, Nos. 1182E, 1196C, 1204E, 1254C, 1262C, 1508J, 1662C, 17853, 17859, 17861, 17862, 17872, 17873, 124771, 124772 and two 898D.....
21828	23153	Stop Cam Interlocking Rod Case Bracket Dowel Pin.....
50372D	23153	Stop Cam Interlocking Rod Case Bracket Screw.....
1204E	23153	Stop Cam Interlocking Rod Case Hinge Screw.....
17859	23153	Stop Cam Interlocking Rod Case Socket Joint.....

No.	Plate	Name
898D	23153	Stop Cam Interlocking Rod Case Socket Joint Cap Screw.....
11622	9596	Stop Cam Interlocking Rod Case Spring...
19694	9596	" " " " " " " " Hook.....
1695C	9596	Stop Cam Interlocking Rod Case Spring Hook Lock Nut.....
17861	23153	Stop Cam Interlocking Rod Case Stop Stud
1254C	23153	" " " " " " " " Screw Bushing.....
1508J	23153	Stop Cam Interlocking Rod Case Stop Stud Screw Bushing Lock Nut.....
17862	23153	Stop Cam Interlocking Rod Case Stop Stud Spring.....
124774	23153	Stop Cam Interlocking Rod Case Wearing Block.....
17863	23153	Stop Cam Interlocking Rod Spring.....
17864	23153	" " " " Stop.....
1318D	23153	" " " " " " Screw....
68739	23153	" " " " " " Wash-er.....
3012	23178	Stop Cam Pin.....
1206C	23178	" " Screw.....
2102	23190	Tension Disc.....
1560C	23190	" Regulating Thumb Nut.....
1274C	23190	" Screw Stud.....
62506	-----	" " " 1274C with 1560C....
13710	23190	" Spring.....
124840	23190	" Thread Guide.....
50370J	23190	" " " Set Screw.....
124850	23186	Thread Breaker.....
62124	23178	" " Bar with 62130 and two 3021.....
124933	9596	Thread Breaker Bar Check.....
124934	9596	" " " " Plunger.....
124935	9596	" " " " " Case...
1136D	9596	" " " " " " Screw.....
1722D	9596	Thread Breaker Bar Check Plunger Lock Nut.....
1722D	9596	Thread Breaker Bar Check Plunger Nut....
124938	9596	" " " " " Spring.
51120J	9596	" " " " Regulating Screw
51591J	9596	" " " " " Lock Nut.....
50152D	9596	Thread Breaker Bar Check Screw.....
124936	-----	Thread Breaker Bar Check complete, Nos. 51120J, 51591J, 124933 to 124935, 124938 and two 1722D.....
62126	9596	Thread Breaker Bar Connection with 17917

No.	Plate	Name
17915	9596	Thread Breaker Bar Connection Slide Block.....
17917	-----	Thread Breaker Bar Connection Slide Block 17915 with 17916.....
17916	9596	Thread Breaker Bar Connection Slide Block Stud.....
59734	9596	Thread Breaker Bar Driving Lever with 223F and 59735.....
1382F	9596	Thread Breaker Bar Driving Lever Hinge Screw.....
1681C	9596	Thread Breaker Bar Driving Lever Hinge Screw Nut.....
59735	9596	Thread Breaker Bar Driving Lever Lock Stud.....
223F	9596	Thread Breaker Bar Driving Lever Lock Stud Screw.....
124787	23186	Thread Breaker Bar Guide.....
1235F	23186	" " " " " Screw.....
124908	23186	" " Holder with 59739.....
62129	23186	" " " Cap with 59739....
50018F	23186	" " " " " Screw.....
1547J	23186	" " " " " Nut.....
59739	23186	" " " " Stud.....
62130	23178	" " " Connection.....
3021	23178	" " " " Rivet..
59739	23186	" " " Stud.....
236F	23186	" " Screw.....
124609	23188	" Controller Sleeve.....
124607	23188	" " Spring.....
124608	23188	" " " Collar with 1477F
1477F	23188	" " " " Set Screw.
124610	23188	" " Stud.....
457C	23188	" " " Set Screw.....
124611	-----	Thread Controller complete, Nos. 124607 to 124610.....
124614	23190	Thread Nipper (lower) Blade Carrier with 124619 and two 6037.....
665J	23190	Thread Nipper (lower) Blade Carrier Cap Screw.....
124615	23186	Thread Nipper (lower) Blade Carrier Hinge Stud.....
6037	23190	Thread Nipper (lower) Blade Rivet.....
124929	23182	" " " Cam.....
335J	23182	" " " " Screw.....
124653	23190	" " " Connection.....
124618	23190	" " " " Extension
99K	23190	" " " " " Hinge Screw.....
206J	23190	Thread Nipper (lower) Connection Extension Screw.....

No.	Plate	Name
124619	23190	Thread Nipper (lower) Connection Hinge Stud.....
124620	23190	Thread Nipper (lower) Driving Arm.....
8554	23190	" " " " " Pin...
124621	23190	" " " " " Lever with 237K...
124930	23182	" " " " " Guide.....
335J	23182	" " " " " Screw.
8554	23190	" " " " " Pin.....
237K	23190	" " " " " Set Screw...
124623	23190	" " " " " Shaft.....
124957	23190	" " " " " Bracket
51188J	23190	" " " " " " " " Screw.....
17738	23190	Thread Nipper (lower) Lever Shaft Bracket Screw Washer.....
1743D	23190	Thread Nipper (upper) Adjusting Thumb Nut.....
59773	23190	Thread Nipper (upper) Body.....
447C	23190	" " " " " Set Screw....
59774	23178	" " " " " Cam with two 50150C
50150C	23178	" " " " " Set Screw.....
2921	23190	" " " " " Disc.....
12162	23190	" " " " " Guide Pin....
62169	23190	" " " " " Spring.....
59775	23190	" " " " " Eyelet.....
1527D	23190	" " " " " Lock Nut.....
59776	23190	" " " " " Stud with 13538....
13538	23190	" " " " " Position Pin..
13539	23190	" " " " " Roller.....
13540	23190	" " " " " Pin....
2026	23190	" " " " " Spring.....
59777	-----	Thread Nipper (upper) Stud complete, Nos. 13539, 13540 and 59776.....
59778	23190	Thread Nipper (upper) complete, Nos. 1527D, 1743D, 2026, 59773, 59775, 59777, 62169 and two 2921.....
124843	23190	Thread Pull-off (double).....
202J	23190	" " " " " Screw.....
7071	23190	" " " " " Washer.....
124625	23188	" " " " " Take-up Body with 62172.....
42808	23188	" " " " " Roller.....
62171	23188	" " " " " Cap.....
337J	23188	" " " " " Screw.....
62172	23188	" " " " " Pin.....
124626	-----	Thread Take-up complete, Nos. 337J, 42808, 62171 and 124625.....
691F	23188	Thread Take-up Screw.....
7335	23190	" " " " " Spring.....
32576	23190	" " " " " Regulator.....
453C	23190	" " " " " Set Screw

No.	Plate	Name
124844	23190	Thread Take-up Spring Thread Guide.....
50370J	23190	" " " " " Set Screw.....
39452	23188	Thread Wiper Body.....
39453	23188	" " " " " Finger.....
330J	23188	" " " " " Screw.....
1207D	23188	" " " " " Hinge Screw.....
124777	23188	" " " " " Support.....
136556	-----	" " " " " 124777 with 1207D, 1302D, 39452, 39455 and 39456
641C	23188	Thread Wiper Body Support Set Screw.....
39455	23188	" " " " " Wire.....
39456	23188	" " " " " Clamp.....
1302D	23188	" " " " " Screw.....
136547	23186	Throat Plate with 124615.....
124981	23186	" " " " " Needle Guard.....
206J	23186	" " " " " Screw.....
136555	23186	Throat Plate complete, Nos. 665J, 1547J, 50018F, 62129, 124850, 124907, 124908, 124981, 136547 and two each 206J and 236F.....
691F	23186	Throat Plate Screw.....
17872	23153	Trip Lever.....
1196C	23153	" " " " " Hinge Screw.....
17873	23153	" " " " " Spring.....
1182E	23153	" " " " " Screw.....
17874	23182	Tripping Point.....
190J	23182	" " " " " Screw.....
*15404	-----	Trade Mark.....
15405	-----	" " " " " Rivet.....

LIST OF PARTS COMPLETE
FOR

MACHINE No. 114-33

For Sewing Two or Four Hole Flat Buttons, from 10 to 50 ligne. Makes two parallel bars in four hole buttons, 14 stitches, including cross and fastening stitches. Thread cutter. Clamp vibrates UP the cylinder. Will hold button and material up to $\frac{7}{16}$ inch thick and can be adjusted for buttons with holes $\frac{5}{64}$ inch to $\frac{3}{16}$ inch apart. Speed 1500 R. P. M.

No.	Plate	Name
*124845	-----	Arm.....
*124825	-----	" 124845 with 15404, 124839 and two each 164E and 15405.....
16532	23179	Arm Dowel Pin.....
4448	23179	" Oil Tube, for intermediate bearing..
56015	23179	" " " " oiling 59705 and 59706
880E	23179	" Screw.....
59702	23179	" Shaft (horizontal).....
*136541	-----	" " " 59702 with 59774, 62235 and 68717.....
17703	23179	Arm Shaft (horizontal) Bushing (back)...
50333C	23179	" " " " " Ad-justing Screw.....
1520J	23179	Arm Shaft (horizontal) Bushing (back) Adjusting Screw Nut.....
59703	23179	Arm Shaft (horizontal) Gear with two 1036C.....
1036C	23179	Arm Shaft (horizontal) Gear Set Screw...
59704	23179	" " (upright).....
59705	23179	" " " Bushing (lower)....
446C	23179	" " " " " Set Screw.....
59706	23179	Arm Shaft (upright) Bushing (upper)....
446C	23179	" " " " " Set Screw.....
59707	23179	Arm Shaft (upright) Gear (lower) with two 1253C.....
1253C	23179	Arm Shaft (upright) Gear (lower) Set Screw.....
59708	23179	Arm Shaft (upright) Gear (upper) with two 1253C.....

No.	Plate	Name
1253C	23179	Arm Shaft (upright) Gear (upper) Set Screw.....
124674	23179	Arm Side Cover.....
190J	23179	" " " Screw.....
18498	23179	Belt Cover.....
59795	23179	" " Bracket with 184E and 59796..
164E	23179	" " " Screw Stud.....
59796	23179	" " " Stud.....
217J	23179	" " Screw.....
39222	23153	" Shifter.....
63976	23153	" " Clamp.....
1255D	23153	" " " Screw.....
124712	9596	Brake.....
124713	-----	" 124712 with four 56493.....
124714	9596	" Adjusting Plate.....
124715	9596	" " " Handle.....
124716	-----	" " " " 124715 with 124717.....
50435J	9596	Brake Adjusting Plate Handle Hinge Screw
124717	9596	" " " " Shaft.....
124718	9596	" " " " " Crank with 1253C.....
1253C	9596	Brake Adjusting Plate Handle Shaft Crank Set Screw.....
51224W	9596	Brake Adjusting Plate Thumb Screw.....
124719	9596	" " " " " Bushing
124720	9596	" Arm.....
1403D	9596	" " Hinge Screw.....
124902	23153	" " Releasing Lever.....
124901	-----	" " " " 124902 with 124903 and two 792C.....
124903	23153	Brake Arm Releasing Lever Bracket.....
792C	23153	" " " " " Screw.
176J	23153	" " " " " Screw.....
50446D	9596	" Hinge Screw.....
56493	9596	" Pad (leather).....
124846	9596	" Spring.....
39238	23168	Button Clamp (left) with 9311 and 17723.
39239	23168	" " (right) with 9311 and 17723.
124732	23168	" " Arm with 17714 and 124780..
17710	23168	" " " Hinge Plate.....
1176J	23168	" " " " " Screw.....
124780	23168	" " " Hook.....
1175E	23168	" " Hinge Screw.....
124906	23188	" " Lifter.....
190J	23188	" " " Screw.....
124711	23190	" " Locking Device Latch with two 1057J.....
1057J	23190	Button Clamp Locking Device Latch Clamp- ing Screw.....

No.	Plate	Name
124678	23190	Button Clamp Locking Device Latch Shaft.
124679	23190	" " " " " "
		Crank.....
124680	23190	Button Clamp Locking Device Latch Shaft
		Crank Connection.....
1282C	23190	Button Clamp Locking Device Latch Shaft
		Crank Connection Hinge Screw (lower)
1282C	23190	Button Clamp Locking Device Latch Shaft
		Crank Connection Hinge Screw (upper)
124823	23190	Button Clamp Locking Device Latch Shaft
		Crank Pin.....
124733	23168	Button Clamp Opening Lever.....
124734	23168	" " " " Bracket.....
1182J	23168	" " " " " Screw
124735	23188	" " " " Contact Piece
124736	23188	" " " " " "
		Arm.....
50117J	23188	Button Clamp Opening Lever Contact Piece
		Arm Screw.....
1484J	23188	Button Clamp Opening Lever Contact Piece
		Screw.....
17718	23188	Button Clamp Opening Lever Contact Piece
		Screw Washer.....
99R	23168	Button Clamp Opening Lever Hinge Screw..
39241	23168	" " Pressure Spring.....
17713	23168	" " " " Bracket....
1177D	23168	" " " " " Screw
17714	23168	" " " " Guide Block
1178D	23168	" " " " Screw.....
20437	23168	" " " " Washer
39242	23168	" " Spreader.....
124737	23168	" " " Lever.....
124738	23168	" " " Adjusting
		Plate.....
1182J	23168	Button Clamp Spreader Lever Adjusting
		Plate Screw.....
17718	23168	Button Clamp Spreader Lever Adjusting
		Plate Screw Washer.....
124739	23168	Button Clamp Spreader Lever Stop.....
50237F	23168	" " " " " Position
		Screw.....
1182J	23168	Button Clamp Spreader Lever Stop Screw..
17718	23168	" " " " " "
		Washer.....
1182J	23168	Button Clamp Spreader Screw.....
17719	23168	" " " Spring.....
1181J	23168	" " " " Screw Stud.
17720	23168	" " " Steady Pin.....
39244	23168	" " Spring (left).....
39245	23168	" " " (right).....

No.	Plate	Name
226J	23168	Button Clamp Spring Screw.....
9311	23168	" " " Steady Pin.....
39248	23168	" " Stop with two 17720.....
1183J	23168	" " " Screw.....
17723	23168	" " Stud.....
124740	-----	Button Clamp complete, Nos. 99R, 1181J,
		1183J, 17719, 39238, 39239, 39242, 39244,
		39245, 39248, 50237F, 124732 to 124734,
		124737 to 124739, two each 226J,
		1175E, 17718 and five 1182J.....
62102	23183	Cloth Plate Guide Block (left).....
742F	23183	" " " " " Screw....
1547J	23183	" " " " " Nut
62103	23183	" " " " (right).....
3021	23183	" " " " Rivet...
190J	23183	" " Screw.....
62104	23183	" " Stop.....
26770	23183	" " Rivet.....
62182	23183	Cloth Plate complete, Nos. 742F, 1547J,
		26770, 62102 to 62104 and two 3021..
*124741	-----	Cylinder with 124719.....
62189	23183	" Bottom Cover.....
124742	23183	" End Cover.....
124743	23183	" " " 124742 with 1034D,
		62111, 62113, 62185, 62189, 124744 and
		four 1477D.....
62185	23183	Cylinder End Cover Bracket.....
62111	23183	" " " Hinge Pin....
1477D	23183	" " " Screw.....
124744	23183	" " " Hinge.....
1477D	23183	" " " Screw.....
62113	23183	" " " Spring.....
1034D	23183	" " " Screw.....
124745	23179	" Oil Well Cover.....
236D	23179	" " " " Screw.....
59711	23188	Face Plate.....
59712	23188	Face Plate complete, Nos. 208D, 9544, 9545,
		59711 and two each 229D, 2107 and
		9543.....
164J	23188	Face Plate Screw.....
2107	23188	" " Thread Guard.....
229D	23188	" " " Screw.....
9543	23188	" " " Nipper Disc.....
9544	23188	" " " " Cover....
208D	23188	" " " " " Screw
9545	23188	" " " " Spring....
63940	23189	Feed Across Connection (lever end) with
		two 896E.....
63941	-----	Feed Across Connection (lever end) 63940
		with 55381.....
55381	23189	Feed Across Connection (lever end) Ball
		Stud.....

No.	Plate	Name
1185C	23189	Feed Across Connection (lever end) Ball Stud Set Screw.....
63942	23189	Feed Across Connection (regulator end) with two 896E.....
63943	-----	Feed Across Connection (regulator end) 63942 with 63944.....
63944	23189	Feed Across Connection (regulator end) Ball Stud.....
62115	23189	Feed Across Connection Adjusting Stud...
1649C	23189	" " " " " Nut (left).....
1650C	23189	Feed Across Connection Adjusting Stud Nut (right).....
896E	23189	Feed Across Connection Cap Screw.....
59713	23189	" " Lever with 1185C and 50150C.
59714	-----	Feed Across Lever complete, Nos. 59713, 59715 and 59721.....
59715	23189	Feed Across Lever Extension with 1952 and 51814.....
59716	23189	Feed Across Lever Extension Disengaging Eccentric.....
59717	23189	Feed Across Lever Extension Disengaging Eccentric Connection.....
999D	23189	Feed Across Lever Extension Disengaging Eccentric Connection Hinge Screw....
59718	23189	Feed Across Lever Extension Disengaging Eccentric Connection Spring.....
193D	23189	Feed Across Lever Extension Disengaging Eccentric Connection Spring Screw...
238D	23189	Feed Across Lever Extension Disengaging Eccentric Connection Stop Screw.....
2273	23189	Feed Across Lever Extension Disengaging Eccentric Pin.....
59719	23189	Feed Across Lever Extension Disengaging Eccentric Shaft.....
59720	23189	Feed Across Lever Extension Disengaging Handle.....
2273	23189	Feed Across Lever Extension Disengaging Handle Pin.....
51814	23189	Feed Across Lever Extension Guiding Roller and Screw Stud.....
59721	23189	Feed Across Lever Extension Hinge Pin...
50150C	23189	" " " " " " Set Screw.....
59722	23189	Feed Across Lever Extension Position Arm
59800	-----	" " " " " " 59722 with 2022 and 59724.....
2022	23189	Feed Across Lever Extension Position Arm Pin.....
59723	23189	Feed Across Lever Extension Position Arm Support.....

No.	Plate	Name
1404D	23189	Feed Across Lever Extension Position Arm Support Screw.....
9525	23189	Feed Across Lever Extension Position Arm Support Screw Washer.....
1952	23189	Feed Across Lever Extension Roller and Stud.....
430C	23189	Feed Across Lever Extension Stop Screw..
1520E	23189	" " " " " " Nut
59724	23189	" " " Hinge Stud.....
160J	23189	" " " " " Clamping Screw.....
62118	23168	Feed Across Lever Plate with 17741.....
62119	23168	" " " " Cover.....
1094E	23168	" " " " Screw.....
55300	23168	" " " " Steady Pin.....
124865	23189	" " Regulator.....
124866	-----	" " " 124865 with 1188D, 1655E, 14017 and 50324C.....
50599D	23189	Feed Across Regulator Adjusting Screw Stud.....
1676C	23189	Feed Across Regulator Adjusting Screw Stud Nut.....
46244	23189	Feed Across Regulator Adjusting Screw Stud Nut Washer (fibre).....
17738	23189	Feed Across Regulator Adjusting Screw Stud Nut Washer (steel).....
1188D	23189	Feed Across Regulator Hinge Screw.....
62121	23189	" " " Link.....
50324C	23189	" " " " Screw Stud..
1655E	23189	" " " " " Nut
14017	23189	" " " " " " Washer.....
17741	23168	Feed Across Regulator Link Stud.....
124924	23183	" Cam with two each 190J, 1192C, 17874, 124929, 124930 and eight 335J.....
124925	23179	Feed Cam Driving Worm with 1441C and 1442C.....
1442C	23179	Feed Cam Driving Worm Position Screw....
1441C	23179	" " " " Set Screw.....
124926	23183	" " " " Wheel with 453C...
18384	23183	" " " " Pin.....
453C	23183	" " " " Set Screw...
18384	23183	" " Pin.....
1192C	23183	" " Set Screw.....
59728	23183	" " Shaft.....
124931	-----	" " " 59728 with 1653C and 124926.....
1653C	23183	Feed Cam Shaft Nut.....
62297	23168	" Plate, for four hole buttons.....
124683	-----	" " for two hole, flat bottom buttons.....

No.	Plate	Name
*18445	-----	Feed Plate Carrier Bar.....
62123	23168	" " " " 18445 with 934J, 1094F,1195E,8505,17743,18368,62118, 62119, two 55300 and four 17806....
59730	23168	Feed Plate Carrier Bar Pivot Block.....
50306D	23168	" " " " " " Screw
18368	23168	" " " " " " Plate.....
934J	23168	" " " " " " Screw.....
1654C	23168	" " " " " " Nut.....
17806	23168	" " " " " " Position Stud.....
1195E	23168	" " " " " " Screw Stud.....
8505	23168	" " " " " " Rivet.....
17742	23189	" " " " " " Regulator with 1953.....
62117	23189	" " " " " " Bracket with three 160J..
160J	23189	" " " " " " Cap Screw.....
8589	23189	" " " " " " Dowel Pin.....
1177D	23189	" " " " " " Screw.....
17744	23168	" " " " " " Hinge Stud.....
17743	23168	" " " " " " Post.....
1953	23189	" " " " " " Roller and Screw Stud with 1655C and 14017.....
1655C	23189	Feed Regulator Roller and Screw Stud Nut
14017	23189	" " " " " " " " " "
		Washer.....
1190C	23168	Feed Regulator Stop Screw.....
17745	23168	" " " " " " Swivel.....
1191D	23168	" " " " " " Thumb Screw.....
124907	23187	Knife.....
665J	23187	" " " " " " Screw.....
124849	23187	Loop Guard.....
208D	23187	" " " " " " Screw.....
124928	23179	Looper.....
124885	23179	" " " " " " Collar with 50274C.....
124761	23179	" " " " " " Driving Shaft.....
124762	23179	" " " " " " Bushing.....
52045	23179	" " " " " " Packing (cotton).....
1143C	23179	Looper Driving Shaft Bushing Set Screw..
59707	23179	" " " " " " Gear with two 1253C
59747	23179	" " " " " " Cover.....
190J	23179	" " " " " " " " Screw...
1253C	23179	" " " " " " " " Set Screw.....
50274C	23179	" " " " " " " " Set Screw.....
124763	23179	" " " " " " " " Shaft.....
124764	23179	" " " " " " " " Bushing.....
50189C	23179	" " " " " " " " Set Screw.....
124765	23179	" " " " " " " " Coupling with four 50150C..
50150C	23179	" " " " " " " " Set Screw.....
62299	23188	Needle Bar with 1072F.....
136588	23188	" " " " " " Connecting Link with 377U, 1518J and 65135.....

No.	Plate	Name
377C	23188	Needle Bar Connecting Link Hinge Screw..
1518J	23188	" " " " " " " " Nut
65135	23188	" " " " " " " " Stud with 391E....
391E	23188	" " " " " " " " Set Screw....
62235	23179	" " " " " " Crank Wheel with 446C and 1293C.....
1293C	23179	Needle Bar Crank Wheel Position Screw...
446C	23179	" " " " " " " " Set Screw.....
124794	23188	" " " " " " " " Thread Retainer.....
124795	-----	Needle Bar Thread Retainer complete, Nos. 1449H, 124794, 124796 and 124821....
124796	23188	Needle Bar Thread Retainer Bracket with 853C and two 42639.....
853C	23188	Needle Bar Thread Retainer Bracket Set Screw.....
42639	23188	Needle Bar Thread Retainer Position Pin.
1449H	23188	" " " " " " " " Screw.....
124821	23188	" " " " " " " " Spring.....
124766	23179	" " " " " " " " Guard.....
124601	23179	" " " " " " " " Cam with two 465C.....
465C	23179	" " " " " " " " Set Screw.....
2273	23179	" " " " " " " " Pin.....
124767	23179	" " " " " " " " Shaft.....
124792	-----	" " " " " " " " 124767 with 2273 and 124766.....
59761	23179	Needle Guard Shaft Collar with two 465C.
465C	23179	" " " " " " " " Set Screw....
124602	23179	" " " " " " " " Crank with 124974 and two 1253C.....
51857	23179	Needle Guard Shaft Crank Roller.....
124974	-----	Needle Guard Shaft Crank Roller complete, Nos. 51857, 124698 and 124699.....
124698	23179	Needle Guard Shaft Crank Roller Bushing.
124699	23179	" " " " " " " " " " " "
		Stud.....
1253C	23179	Needle Guard Shaft Crank Set Screw.....
59765	23179	" " " " " " " " Spring.....
59766	23179	" " " " " " " " Collar with 624C.....
624C	23179	Needle Guard Shaft Spring Collar Set Screw.....
233J	23179	Needle Guard Shaft Spring Screw.....
124768	23179	" " " " " " " " Spreader.....
233J	23179	" " " " " " " " Screw.....
1072F	23188	" " " " " " " " Set Screw.....
2068	23188	Presser Ear.....
124838	23190	" " " " " " " " Collar and Thread Pull-off Bracket with two 196C.....
196C	23190	Presser Bar Collar Set Screw.....
17842	23188	" " " " " " " " Guide Bracket with 453C....
453C	23188	" " " " " " " " Set Screw....

No.	Plate	Name
124790	23190	Presser Bar Lifting Lever.....
124839	23190	" " " " Bracket.....
164E	23190	" " " " " Screw.
1201D	23190	" " " " Hinge Screw...
17845	23190	" " " " Rod.....
17846	23190	" " " " " Chain.....
32675	23188	" " Spring.....
66712	23179	Pulley (loose) 2 3/4 in. diam. with 200584D.....
68713	-----	Pulley (loose) 68712 with 68714.....
68714	23179	" " Ball Bearing.....
68715	23179	" " Bushing.....
51387R	23179	" " Cap Screw.....
200584D	23179	" " Oil Hole Plug Screw.....
68716	23179	" (tight) 2 7/8 in. diam.....
68720	-----	" " 68716 with 1206C and 17854.....
2022	23179	Pulley (tight) Pin.....
68717	-----	Pulleys (ball bearing) complete, Nos. 51387R, 68713, 68715 and 68720.....
17853	23153	Starting Lever.....
1262C	23153	" " Hinge Screw.....
1662C	23153	" " " " Nut.....
17854	23179	Stop Cam.....
17855	23153	" " Interlocking Rod.....
124784	23153	" " " " Case.....
124770	-----	" " " " " 124784 with 124774, 124901 and two 176J....
124904	-----	Stop Cam Interlocking Rod Case 124770 with 63976 and two 1255D.....
124771	-----	Stop Cam Interlocking Rod Case 124904 with 1318D, 17855, 17863, 17864, 39222 and 68739.....
124772	23153	Stop Cam Interlocking Rod Case Bracket..
124773	-----	Stop Cam Interlocking Rod Case Bracket complete, Nos. 1182E, 1196C, 1204E, 1254C, 1262C, 1508J, 1662C, 17853, 17859, 17861, 17862, 17872, 17873, 124771, 124772 and two 898D.....
21828	23153	Stop Cam Interlocking Rod Case Bracket Dowel Pin.....
50372D	23153	Stop Cam Interlocking Rod Case Bracket Screw.....
1204E	23153	Stop Cam Interlocking Rod Case Hinge Screw.....
17859	23153	Stop Cam Interlocking Rod Case Socket Joint.....
898D	23153	Stop Cam Interlocking Rod Case Socket Joint Cap Screw.....
11622	9596	Stop Cam Interlocking Rod Case Spring...

No.	Plate	Name
19694	9596	Stop Cam Interlocking Rod Case Spring Hook.....
1695C	9596	Stop Cam Interlocking Rod Case Spring Hook Lock Nut.....
17861	23153	Stop Cam Interlocking Rod Case Stop Stud
1254C	23153	" " " " " " " " Screw Bushing.....
1508J	23153	Stop Cam Interlocking Rod Case Stop Stud Screw Bushing Lock Nut.....
17862	23153	Stop Cam Interlocking Rod Case Stop Stud Spring.....
124774	23153	Stop Cam Interlocking Rod Case Wearing Block.....
17863	23153	Stop Cam Interlocking Rod Spring.....
17864	23153	" " " " " Stop.....
1318D	23153	" " " " " " Screw....
68739	23153	" " " " " " " Wash- er.....
3012	23179	Stop Cam Pin.....
1206C	23179	" " Screw.....
2102	23190	Tension Disc.....
1560C	23190	" Regulating Thumb Nut.....
1274C	23190	" Screw Stud.....
62506	-----	" " " " 1274C with 1560C....
13710	23190	" Spring.....
124840	23190	" Thread Guide.....
50370J	23190	" " " " " Set Screw.....
124850	23187	Thread Breaker.....
62124	23179	" " Bar with 62130 and two 3021
124933	9596	" " " " Check.....
124934	9596	" " " " " Plunger.....
124935	9596	" " " " " " Case....
1186D	9596	" " " " " " Screw
1722D	9596	" " " " " " Lock Nut.
1722D	9596	" " " " " " Nut.....
124938	9596	" " " " " " Spring...
51120J	9596	" " " " " " Regulating Screw.
51591J	9596	" " " " " " " "
50152D	9596	Lock Nut.....
124936	-----	Thread Breaker Bar Check Screw.....
62126	9596	Thread Breaker Bar Check complete, Nos. 51120J, 51591J, 124933 to 124935, 124938 and two 1722D.....
17915	9596	Thread Breaker Bar Connection with 17917
17917	-----	" " " " " " Slide Block
17916	9596	" " " " " " " "
59734	9596	17915 with 17916.....
		Thread Breaker Bar Connection Slide Block Stud.....
		Thread Breaker Bar Driving Lever with 223F and 59735.....

No.	Plate	Name
1382F	9596	Thread Breaker Bar Driving Lever Hinge Screw.....
1681C	9596	Thread Breaker Bar Driving Lever Hinge Screw Nut.....
59735	9596	Thread Breaker Bar Driving Lever Lock Stud.....
223F	9596	Thread Breaker Bar Driving Lever Lock Stud Screw.....
124787	23187	Thread Breaker Bar Guide.....
1235F	23187	" " " " Screw.....
124908	23187	" " " Holder with 59739.....
62129	23187	" " " Cap with 59739.....
50018F	23187	" " " " Screw.....
1547J	23187	" " " " Nut.....
59739	23187	" " " " Stud.....
62130	23179	" " " Connection.....
3021	23179	" " " " Rivet..
59739	23187	" " " Stud.....
236F	23187	" " " Screw.....
124609	23188	" " " Controller Sleeve.....
124607	23188	" " " Spring.....
124608	23188	" " " Collar with 1477F.....
1477F	23188	Thread Controller Spring Collar Set Screw.....
124610	23188	Thread Controller Stud.....
457C	23188	" " " Set Screw.....
124611	-----	Thread Controller complete, Nos. 124607 to 124610.....
124614	23190	Thread Nipper (lower) Blade Carrier with 124619 and two 6037.....
665J	23190	Thread Nipper (lower) Blade Carrier Cap Screw.....
124615	23187	Thread Nipper (lower) Blade Carrier Hinge Stud.....
6037	23190	Thread Nipper (lower) Blade Rivet.....
124929	23183	" " " Cam.....
335J	23183	" " " " Screw.....
124653	23190	" " " Connection.....
124618	23190	" " " " Extension
99K	23190	" " " " "
		Hinge Screw.....
206J	23190	Thread Nipper (lower) Connection Extension Screw.....
124619	23190	Thread Nipper (lower) Connection Hinge Stud.....
124620	23190	Thread Nipper (lower) Driving Arm.....
8554	23190	" " " " " Pin...
124621	23190	" " " " Lever with 237K..
124930	23183	" " " " Guide.....

No.	Plate	Name
335J	23183	Thread Nipper (lower) Lever Guide Screw.
8554	23190	" " " " Pin.....
237K	23190	" " " " Set Screw...
124623	23190	" " " " Shaft.....
124957	23190	" " " " " Bracket
51188J	23190	" " " " " "
		Screw.....
17738	23190	Thread Nipper (lower) Lever Shaft
		Bracket Screw Washer.....
1743D	23190	Thread Nipper (upper) Adjusting Thumb Nut.....
		Thread Nipper (upper) Body.....
59773	23190	" " " " Set Screw....
447C	23190	" " " " " Cam with two 50150C
59774	23179	" " " " " Set Screw.....
50150C	23179	" " " " " Disc.....
2921	23190	" " " " " Guide Pin.....
12162	23190	" " " " " Spring.....
62169	23190	" " " " " Eyelet.....
59775	23190	" " " " " Lock Nut.....
1527D	23190	" " " " " Stud with 13538....
59776	23190	" " " " " Position Pin..
13538	23190	" " " " " Roller.....
13539	23190	" " " " " " Pin....
13540	23190	" " " " " " Spring.....
2026	23190	" " " " " "
59777	-----	Thread Nipper (upper) Stud complete, Nos. 13539, 13540 and 59776.....
59778	23190	Thread Nipper (upper) complete, Nos. 1527D, 1743D, 2026, 59773, 59775, 59777, 62169 and two 2921.....
124843	23190	Thread Pull-off (double).....
202J	23190	" " " Screw.....
7071	23190	" " " Washer.....
124625	23188	" " " Take-up Body with 62172.....
42808	23188	" " " Roller.....
62171	23188	" " " Cap.....
337J	23188	" " " " Screw.....
62172	23188	" " " " Pin.....
124626	-----	Thread Take-up complete, Nos. 337J, 42808, 62171 and 124625.....
691F	23188	Thread Take-up Screw.....
7335	23190	" " " Spring.....
32576	23190	" " " Regulator.....
453C	23190	" " " " Set Screw
124844	23190	" " " " Thread Guide.....
50370J	23190	" " " " " Set Screw.....
		Screw.....
39452	23188	Thread Wiper Body.....
39453	23188	" " " " Finger.....
330J	23188	" " " " " Screw.....

No.	Plate	Name
1207D	23188	Thread Wiper Body Hinge Screw.....
124777	23188	" " " Support.....
136556	-----	" " " " 124777 with 1207D, 1302D, 39452, 39455 and 39456
641C	23188	Thread Wiper Body Support Set Screw.....
39455	23188	" " " Wire.....
39456	23188	" " " " Clamp.....
1302D	23188	" " " " " Screw.....
136547	23187	Throat Plate with 124615.....
124981	23187	" " Needle Guard.....
206J	23187	" " " " Screw.....
136555	23187	Throat Plate complete, Nos. 665J, 1547J, 50018F, 62129, 124850, 124907, 124908, 124981, 136547 and two each 206J and 236F.....
691F	23187	Throat Plate Screw.....
17872	23153	Trip Lever.....
1196C	23153	" " Hinge Screw.....
17873	23153	" " Spring.....
1182E	23153	" " " Screw.....
17874	23183	Tripping Point.....
190J	23183	" " " Screw.....
*15404	-----	Trade Mark.....
15405	-----	" " Rivet.....

MACHINE No. 114-34

For Sewing Two or Four Hole Flat Buttons, from 10 to 50 ligne. Makes two parallel bars in four hole buttons, 21 stitches, including cross and fastening stitches. Thread cutter. Clamp vibrates ACROSS the cylinder. Will hold button and material up to $\frac{7}{16}$ inch thick and can be adjusted for buttons with holes $\frac{5}{64}$ inch to $\frac{3}{16}$ inch apart. Speed 1500 R. P. M.

NOTE: THIS MACHINE IS THE SAME AS THE NO. 114-32

MACHINE, WITH THE FOLLOWING EXCEPTIONS:

No.	Plate	Name
124932	23184	Feed Cam with 190J, 17874, 124841, two each 1192C, 124973 and six 335J, in place of 124923.....
39231	23180	Feed Cam Driving Worm with 1441C and 1442C, in place of 124925.....
17997	23184	Feed Cam Driving Worm Wheel with 453C, in place of 124926.....
124874	-----	Feed Cam Shaft 62155 with 1653C and 17997, in place of 124927.....
124841	23184	Thread Nipper (lower) Cam, in place of 124929.....
124973	23184	Thread Nipper (lower) Lever Guide, in place of 124930.....

MACHINE No. 114-35

For Sewing Two or Four Hole Flat Buttons, from 10 to 50 ligne. Makes two parallel bars in four hole buttons, 21 stitches, including cross and fastening stitches. Thread cutter. Clamp vibrates UP the cylinder. Will hold button and material up to $\frac{7}{16}$ inch thick and can be adjusted for buttons with holes $\frac{5}{64}$ inch to $\frac{3}{16}$ inch apart. Speed 1500 R. P. M.

NOTE: THIS MACHINE IS THE SAME AS THE NO. 114-33 MACHINE, WITH THE FOLLOWING EXCEPTIONS:

No.	Plate	Name
124937	23185	Feed Cam with 190J, 17874, 124841, two each 1192C, 124973 and six 335J, in place of 124924.....
39231	23181	Feed Cam Driving Worm with 1441C and 1442C, in place of 124925.....
17997	23185	Feed Cam Driving Worm Wheel with 453C, in place of 124926.....
124954	-----	Feed Cam Shaft 59728 with 1653C and 17997, in place of 124931.....
124841	23185	Thread Nipper (lower) Cam, in place of 124929.....
124973	23185	Thread Nipper (lower) Lever Guide, in place of 124930.....

ATTACHMENTS AND ACCESSORIES

No.	Plate	Name
59797	23174	Button Tray with two wood screws 1 1/4 in. No. 14.....
124958	23157	Cylinder Base Plate with two 453C.....
18420	23157	" " " Hinge Connection....
18423	23157	" " " " " Hinge Pin.....
453C	23157	Cylinder Base Plate Hinge Connection Hinge Pin Set Screw.....
134E	23157	Cylinder Base Plate Screw.....
124959	23157	Cylinder Base Plate (hinged) complete, Nos. 124958, two each 18420, 18423, three wood screws 1 1/4 in. No. 12 and four 134E.....
124975	-----	Cylinder Base Plate 124959 with 124966..
124960	23157	Machine Supporting Bracket (lower).....
178J	23157	" " " " Screw
124961	23157	" " " (upper).....
1396J	23157	" " " " Screw
124962	23157	" " Link (lower).....
124963	23157	" " (upper).....
124964	23157	" " Hinge Rivet.....
124965	23157	" " Lock Plate.....
190333	23157	" " " " Lock Stud.....
124964	23157	Machine Supporting Link Lock Plate Rivet
124966	23157	Machine Support complete, Nos. 178J, 1396J, 124960 to 124963, 124965, 190333 and four 124964.....
120346	23157	Oiler (copper plated) with 120347.....
120347	23157	" Spout, 8 1/2 in. long.....
11831	23157	Screw Driver (large).....
26026	23157	" " (small).....
4822	23157	Wrench for 1547.....
10875	23157	" " 1518, 1520, 1649, 1650 and 1662.
17905	23157	" " 1176, 1178, 1654, 1655 and 1676.
25200	23157	" " 1527.....
27662	23157	" " 1254 and 1508.....

BUTTON SPACING GAUGES

No.	Plate	Name
124700	23191	Button Spacing Gauge (lower) for 124704.
124705	23191	" " " " " 124707.
217J	23191	" " " " " Screw for 124704.....
181J	23191	Button Spacing Gauge (lower) Screw for 124707.....
124701	23191	Button Spacing Gauge (upper).....
602J	23191	" " " " " Screw.....
124702	23191	" " " " " Holder with 124703, for 124704.....
124706	23191	Button Spacing Gauge Holder for 124707..
124703	23191	" " " " " Position Stud for 124702.....
51224W	23191	Button Spacing Gauge Thumb Screw for 124704.....
124704	23191	Button Spacing Gauge complete with Cloth Plate, Nos. 217J, 602J, 51224W and 124700 to 124702.....
124707	23191	Button Spacing Gauge complete, without Cloth Plate, Nos. 181J, 602J, 124701, 124705, 124706 and two wood screws 1 in. No. 10 R.H.B.....
124950	23191	Button Spacing Gauge for 124952.....
124706	23191	" " " " " Holder for 124952..
124951	23191	" " " " " Plate.....
181J	23191	" " " " " Screw.....
9525	23191	" " " " " Washer.
217J	23191	" " " " " Screw.....
7071	23191	" " " " " Washer.....
124952	23191	Button Spacing Gauge complete, without Cloth Plate, Nos. 181J, 9525, 124706, 124950, 124951 and two each 217J, 7071 and wood screws 1 in. No. 10 R.H.....
124708	23191	Cloth Plate with three 1602E.....
1602E	23191	" " " " " Bushing.....
62102	23191	" " " " " Guide Block (left).....
742F	23191	" " " " " " " Screw....
1547D	23191	" " " " " " " " Nut
62103	23191	" " " " " " " (right).....
3021	23191	" " " " " " " Rivet...
190J	23191	" " " " " " " Screw.....
62104	23191	" " " " " " " Stop.....
26770	23191	" " " " " " " Rivet.....
124710	23191	Cloth Plate complete for 124704, Nos. 742F, 1547D, 26770, 62102 to 62104, 124708 and two 3021.....

EYE AND FINGER GUARD

No.	Plate	Name
121603	23158	Eye and Finger Guard (glass).....
121604	23158	Carrying Arm.....
1004K	23158	" " " " " Hinge Screw (back).....
1698J	23158	" " " " " " " Nut.....
50222K	23158	" " " " " " " (front).....
1735J	23158	" " " " " " " Nut....
121605	23158	" " " " " Spring.....
50435K	23158	Depressing Screw.....
121606	23158	" " " " " Holder.....
140061J	23158	" " " " " Screw.....
121607	23158	Frame.....
121608	-----	" " 121607 with 121603.....
50165J	23158	" " Screw.....
121609	23158	Guiding Rod.....
50435K	23158	" " " " " Hinge Screw.....
121611	23158	Holder.....
121612	23158	Supporting Bracket.....
191J	23158	" " " " " Screw.....
*121613	-----	Eye and Finger Guard complete, Nos. 1004K, 1698J, 1735J, 50222K, 50435K, 121604, 121605, 121608, 121609, 121611, 121612 and two 50165J.....
136586	23158	Face Plate.....
2107	23158	" " " " " Thread Guard.....
229J	23158	" " " " " " " Screw.....
9543	23158	" " " " " " " Nipper Disc.....
9544	23158	" " " " " " " " Cover....
208J	23158	" " " " " " " " " Screw
9545	23158	" " " " " " " " " Spring....
136587	-----	Face Plate complete, Nos. 208J, 9544, 9545, 136586 and two each 229J, 2107 and 9543.....
121627	23158	Eye and Finger Guard with Face Plate complete, Nos. 50435K, 121606, 121613, 136587, 140061J and two 191J.....

FOOT LIFTER PARTS

No.	Plate	Name
17876	23159	Treadle with 443C.....
17877	23159	" Pitman Rod (lower).....
17878	23159	" " " (upper).....
17879	23159	" " " Clamp with two 161E..
161E	23159	" " " " Screw.....
17880	-----	Treadle Pitman complete, Nos. 17877 to 17879.....
17881	23159	Treadle Shaft.....
443C	23159	" " Set Screw.....
17882	23159	" Spring.....
17883	23159	" Stand.....
17884	23159	Treadle complete, Nos. 17876, 17881 to 17883 and two wood screws 1 in. No. 10.....
17885	-----	Treadle and Pitman complete, Nos. 17880 and 17884.....

STARTING LEVER

No.	Plate	Name
13351	23159	Chain, 46 in. to 55 in. long, with 56864 and 56865.....
Note: When ordering 13351, give length required.		
56864	23159	Chain Hook (large).....
56865	23159	" " (small).....
17876	23159	Treadle with 443C.....
17881	23159	" Shaft.....
443C	23159	" " Set Screw.....
17882	23159	" Spring.....
17883	23159	" Stand.....
17884	23159	Treadle complete, Nos. 17876, 17881 to 17883 and two wood screws 1 in. No. 10.....

TABLE BELT GUIDE

No.	Plate	Name
39218	23159	Belt Guide with two 168E.....
168E	23159	" " Set Screw.....
17892	23159	Bracket with two 153E.....
17893	23159	Pulley.....
39219	23159	" Shaft (long) with 17896 and 63973
63973	23159	" " " Wick (braided cotton)
39220	23159	" " (short) with 17896 and 63974.....
63974	23159	Pulley Shaft (short) Wick (braided cotton).....
17896	23159	Pulley Shaft Plug.....
153E	23159	" " Set Screw.....
39221	23159	Table Belt Guide complete, Nos. 17892, 39219, 39220, two each 17893, 39218 and three wood screws 1 1/4 in. No. 12.....

THREAD UNWINDER

FOR ONE LARGE SPOOL OR ONE LARGE CONE OF THREAD

No.	Plate	Name
225259	23160	Spool Rest with 201018C.....
150203	23160	" " Cushion (felt).....
225388	23160	" " Rod.....
200383C	23160	" " Set Screw.....
201018C	23160	" " Set Screw.....
202490	23160	" Stand with 200383C.....
225391	23160	Thread Guide.....
60771	23160	" Guide.....
60772	-----	" " 60771 with 41635.....
41635	23160	" " Bracket with 175E.....
175E	23160	" " " Set Screw.....
201696J	23160	" " Lock Nut.....
225326	23160	" " Position Cup.....
225324	23160	" " Rod with 208E and 225322...
208E	23160	" " Screw.....
225322	23160	" " Washer.....
225260	-----	Thread Unwinder complete, Nos. 150203, 201696J, 202490, 225259, 225324, 225326, 225388, 225391 and three wood screws 7/8 in. No. 12.....

No.	Plate	Name
27739	23160	Thread Cone (wood) for large cones.....
225390	23160	" " Holder, for inverted cones..
Note: Nos. 27739 and 225390 are used with, but not included in 225260.		
60773	23160	Thread Unwinder with Thread Guide complete, Nos. 60772 and 225260.....

Genuine Singer Needles should be used in Singer Machines. These Needles and their Containers are marked with the Company's Trade Mark "SIMANCO." 1

Needles in Containers marked "For Singer Machines" are not Singer made needles. 2

NUMERICAL LIST OF PARTS

No.	Plate	Name
99R	23168	Button Clamp Opening Lever Hinge Screw for 124740.....
99K	23190	Thread Nipper (lower) Connection Extension Hinge Screw.....
134E	23157	Cylinder Base Plate Screw for 124959....
153E	23159	Table Belt Guide Pulley Shaft Set Screw for 17892.....
160J	23192	Feed Across Lever Hinge Stud Clamping Screw.....
160J	23192	Feed Regulator Bracket Cap Screw for 62117.....
161E	23159	Foot Lifter Treadle Pitman Rod Clamp Screw for 17879.....
164J	23188	Face Plate Screw.....
164E	23190	Presser Bar Lifting Lever Bracket Screw for 124825.....
168E	23159	Table Belt Guide Set Screw for 39218....
175E	23160	Thread Unwinder Thread Guide Bracket Set Screw for 41635.....
176J	23153	Brake Arm Releasing Lever Screw for 124770.....
178J	23157	Machine Supporting Bracket (lower) Screw for 124966.....
181J	23191	Button Spacing Gauge (lower) Screw for 124707.....
181J	23191	Button Spacing Gauge Plate Screw for 124952.....
184E	23178	Belt Cover Bracket Screw Stud for 59795.
190J	23178	Arm Side Cover Screw.....
190J	23188	Button Clamp Lifter Screw.....
190J	23191	" Spacing Gauge Cloth Plate Screw..
190J	23182	Cloth Plate Screw.....
190J	23178	Looper Driving Shaft Gear Cover Screw...
190J	23182	Tripping Point Screw for 124923, 124924, 124932 and 124937.....
191J	23158	Eye and Finger Guard Supporting Bracket Screw for 121627.....
193D	23189	Feed Across Lever Extension Disengaging Eccentric Connection Spring Screw for 114-33 and 114-35 Machines.....
196C	23190	Presser Bar Collar Set Screw for 124838.
202J	23190	Thread Pull-off Screw.....
206J	23190	" Nipper (lower) Connection Extension Screw.....
206J	23186	Throat Plate Needle Guard Screw for 136555.....

NUMERICAL LIST OF PARTS

No.	Plate	Name
208J	23158	Eye and Finger Guard Face Plate Thread Nipper Disc Cover Screw for 136587..
208D	23188	Face Plate Thread Nipper Disc Cover Screw for 59712.....
208J	23186	Loop Finger Carrier Crank Clamping Screw for 124752.....
208J	23186	Loop Finger Carrier Holder Screw for 114-32 and 114-34 Machines.....
208D	23186	Loop Guard Screw.....
208E	23160	Thread Unwinder Thread Guide Rod Screw for 225324.....
217J	23178	Belt Cover Screw.....
217J	23191	Button Spacing Gauge (lower) Screw for 124704.....
217J	23191	Button Spacing Gauge Screw for 124952...
218J	23186	Loop Finger Carrier Pitman Cap Screw for 124754.....
223F	9596	Thread Breaker Bar Driving Lever Lock Stud Screw for 59734.....
226J	23168	Button Clamp Spring Screw for 124740....
229J	23158	Eye and Finger Guard Face Plate Thread Guard Screw for 136587.....
229D	23188	Face Plate Thread Guard Screw for 59712.
229J	23186	Loop Finger Screw for 114-32 and 114-34 Machines.....
233J	23178	Needle Guard Shaft Spring Screw.....
233J	23178	" " Spreader Screw.....
236D	23178	Cylinder Oil Well Cover Screw.....
236F	23186	Thread Breaker Screw for 136555.....
237K	23190	" Nipper (lower) Lever Set Screw for 124621.....
238D	23189	Feed Across Lever Extension Disengaging Eccentric Stop Screw for 114-33 and 114-35 Machines.....
330J	23188	Thread Wiper Body Finger Screw.....
335J	23182	" Nipper (lower) Cam Screw for 124923, 124924, 124932 and 124937...
335J	23182	Thread Nipper (lower) Lever Guide Screw for 124923, 124924, 124932 and 124937.
337J	23188	Thread Take-up Roller Cap Screw for 124626.....
377C	23188	Needle Bar Connecting Link Hinge Screw for 136588.....
391E	23188	Needle Bar Connecting Stud Set Screw for 65135.....
430C	23189	Feed Across Lever Extension Stop Screw for 114-33 and 114-35 Machines.....
443C	23159	Foot Lifter Treadle Shaft Set Screw for 17876.....
443C	23159	Starting Lever Treadle Shaft Set Screw for 17876.....

NUMERICAL LIST OF PARTS

No.	Plate	Name
446C	23178	Arm Shaft (upright) Bushing (lower) Set Screw.....
446C	23178	Arm Shaft (upright) Bushing (upper) Set Screw.....
446C	23178	Needle Bar Crank Wheel Set Screw for 62235.....
447C	23190	Thread Nipper (upper) Body Set Screw....
453C	23157	Cylinder Base Plate Hinge Connection Hinge Pin Set Screw for 124958.....
453C	23182	Feed Cam Driving Worm Wheel Set Screw for 17997 and 124926.....
453C	23188	Presser Bar Guide Bracket Set Screw for 17842.....
453C	23190	Thread Take-up Spring Regulator Set Screw.....
457C	23188	Thread Controller Stud Set Screw.....
465C	23178	Needle Guard Cam Set Screw for 124601 and 124980.....
465C	23178	Needle Guard Shaft Collar Set Screw for 59761.....
602J	23191	Button Spacing Gauge (upper) Screw for 124704 and 124707.....
624C	23178	Needle Guard Shaft Spring Collar Set Screw for 59766.....
641C	23192	Feed Across Connection (lever end) Ball Stud Set Screw for 62147.....
641C	23188	Thread Wiper Body Support Set Screw....
665J	23186	Knife Screw for 136555.....
665J	23190	Thread Nipper (lower) Blade Carrier Cap Screw.....
691F	23188	Thread Take-up Screw.....
691F	23186	Throat Plate Screw.....
742F	23191	Button Spacing Gauge Cloth Plate Guide Block (left) Screw for 124710.....
742F	23182	Cloth Plate Guide Block (left) Screw for 62182.....
792C	23153	Brake Arm Releasing Lever Bracket Screw for 124901.....
853C	23188	Needle Bar Thread Retainer Bracket Set Screw for 124796.....
880E	23178	Arm Screw.....
896E	23192	Feed Across Connection Cap Screw for 63940 and 63942.....
898D	23153	Stop Cam Interlocking Rod Case Socket Joint Cap Screw for 124773.....
934J	23168	Feed Plate Carrier Bar Plate Screw for 62123.....
999D	23189	Feed Across Lever Extension Disengaging Eccentric Connection Hinge Screw for 114-33 and 114-35 Machines.....

NUMERICAL LIST OF PARTS

No.	Plate	Name
1004K	23158	Eye and Finger Guard Carrying Arm Hinge Screw (back) for 121613.....
1034D	23182	Cylinder End Cover Spring Screw for 124743.....
1036C	23178	Arm Shaft (horizontal) Gear Set Screw for 59703.....
1057J	23190	Button Clamp Locking Device Latch Clamping Screw for 124711.....
1072F	23188	Needle Set Screw for 62299.....
1094F	23168	Feed Across Lever Plate Screw for 62123.....
1143C	23178	Looper Driving Shaft Bushing Set Screw..
1175E	23168	Button Clamp Hinge Screw for 124740.....
1176J	23168	" " Arm Hinge Plate Screw.....
1177D	23168	" " Pressure Spring Bracket Screw
1177D	23192	Feed Regulator Bracket Screw.....
1178D	23168	Button Clamp Pressure Spring Screw.....
1181J	23168	" " Spreader Spring Screw Stud for 124740.....
1182J	23168	Button Clamp Opening Lever Bracket Screw for 124740.....
1182J	23168	Button Clamp Spreader Lever Adjusting Plate Screw for 124740.....
1182J	23168	Button Clamp Spreader Lever Stop Screw for 124740.....
1182J	23168	Button Clamp Spreader Screw for 124740..
1182E	23153	Trip Lever Spring Screw for 124773.....
1183J	23168	Button Clamp Stop Screw for 124740.....
1185C	23189	Feed Across Connection (lever end) Ball Stud Set Screw for 59713.....
1186D	9596	Thread Breaker Bar Check Plunger Case Screw.....
1188D	23192	Feed Across Regulator Hinge Screw for 124866.....
1190C	23168	Feed Regulator Stop Screw.....
1191D	23168	" " Thumb Screw.....
1192C	23182	" Cam Set Screw for 124923, 124924, 124932 and 124937.....
1195E	23168	Feed Plate Screw Stud for 62123.....
1196C	23153	Trip Lever Hinge Screw for 124773.....
1201D	23190	Presser Bar Lifting Lever Hinge Screw...
1204E	23153	Stop Cam Interlocking Rod Case Hinge Screw for 124773.....
1206C	23178	Stop Cam Screw for 68720.....
1207D	23188	Thread Wiper Body Hinge Screw for 136556
1235F	23186	" Breaker Bar Guide Screw.....
1253C	23178	Arm Shaft (upright) Gear (lower) Set Screw for 59707.....
1253C	23178	Arm Shaft (upright) Gear (upper) Set Screw for 59708.....
1253C	9596	Brake Adjusting Plate Handle Shaft Crank Set Screw for 124718.....

NUMERICAL LIST OF PARTS

No.	Plate	Name
1253C	23178	Looper Driving Shaft Gear Set Screw for 59707.....
1253C	23178	Needle Guard Shaft Crank Set Screw for 124602.....
1254C	23153	Stop Cam Interlocking Rod Case Stop Stud Screw Bushing for 124773.....
1255D	23153	Belt Shifter Clamp Screw for 124904.....
1262C	23153	Starting Lever Hinge Screw for 124773...
1274C	23190	Tension Screw Stud for 62506.....
1282C	23190	Button Clamp Locking Device Latch Shaft Crank Connection Hinge Screw (lower)
1282C	23190	Button Clamp Locking Device Latch Shaft Crank Connection Hinge Screw (upper)
1293C	23178	Needle Bar Crank Wheel Position Screw for 62235.....
1302D	23188	Thread Wiper Body Wire Clamp Screw for 136556.....
1318D	23153	Stop Cam Interlocking Rod Stop Screw for 124771.....
1382F	9596	Thread Breaker Bar Driving Lever Hinge Screw.....
1396J	23157	Machine Supporting Bracket (upper) Screw for 124966.....
1403D	9596	Brake Arm Hinge Screw.....
1404D	23189	Feed Across Lever Extension Position Arm Support Screw for 114-33 and 114-35 Machines.....
1441C	23178	Feed Cam Driving Worm Set Screw for 39231 and 124925.....
1442C	23178	Feed Cam Driving Worm Position Screw for 39231 and 124925.....
1449H	23188	Needle Bar Thread Retainer Screw for 124795.....
1477D	23182	Cylinder End Cover Bracket Screw for 124743.....
1477D	23182	Cylinder End Cover Hinge Screw for 124743.....
1477F	23188	Thread Controller Spring Collar Set Screw for 124608.....
1484J	23188	Button Clamp Opening Lever Contact Piece Screw.....
1508J	23153	Stop Cam Interlocking Rod Case Stop Stud Screw Bushing Lock Nut for 124773...
1518J	23188	Needle Bar Connecting Link Hinge Screw Nut for 136588.....
1520J	23178	Arm Shaft (horizontal) Bushing (back) Adjusting Screw Nut.....
1520E	23189	Feed Across Lever Extension Stop Screw Nut for 114-33 and 114-35 Machines..
1527D	23190	Thread Nipper (upper) Lock Nut for 59778

No.	Plate	Name
1547D	23191	Button Spacing Gauge Cloth Plate Guide Block (left) Screw Nut for 124710...
1547J	23182	Cloth Plate Guide Block (left) Screw Nut for 62182.....
1547J	23186	Thread Breaker Holder Cap Screw Nut for 136555.....
1560C	23190	Tension Regulating Thumb Nut for 62506..
1602E	23191	Button Spacing Gauge Plate Bushing for 124708.....
1649C	23192	Feed Across Connection Adjusting Stud Nut (left).....
1650C	23192	Feed Across Connection Adjusting Stud Nut (right).....
1653C	23182	Feed Cam Shaft Nut for 124874, 124927, 124931 and 124954.....
1654C	23168	Feed Plate Nut.....
1655E	23192	" Across Regulator Link Screw Stud Nut for 124866.....
1655C	23192	Feed Regulator Roller and Screw Stud Nut for 1953.....
1662C	23153	Starting Lever Hinge Screw Nut for 124773.....
1676C	23192	Feed Across Regulator Adjusting Screw Stud Nut.....
1681C	9596	Thread Breaker Bar Driving Lever Hinge Screw Nut.....
1695C	9596	Stop Cam Interlocking Rod Case Spring Hook Lock Nut.....
1698J	23158	Eye and Finger Guard Carrying Arm Hinge Screw (back) Nut for 121613.....
1722D	9596	Thread Breaker Bar Check Plunger Lock Nut for 124936.....
1722D	9596	Thread Breaker Bar Check Plunger Nut for 124936.....
1735J	23158	Eye and Finger Guard Carrying Arm Hinge Screw (front) Nut for 121613.....
1743D	23190	Thread Nipper (upper) Adjusting Thumb Nut for 59778.....
1952	23189	Feed Across Lever Extension Roller and Stud for 59715.....
1952	23192	Feed Across Lever Roller and Stud for 62147.....
1953	23192	Feed Regulator Roller and Screw Stud with 1655C and 14017, for 17742.....
2022	23189	Feed Across Lever Extension Position Arm Pin for 59800.....
2022	23178	Pulley (tight) Pin.....
2026	23190	Thread Nipper (upper) Stud Spring for 59778.....
2058	23188	Presser Bar.....

No.	Plate	Name
2102	23190	Tension Disc.....
2107	23158	Eye and Finger Guard Face Plate Thread Guard for 136587.....
2107	23188	Face Plate Thread Guard for 59712.....
2273	23178	Feed Across Lever Extension Disengaging Eccentric Pin for 114-33 and 114-35 Machines.....
2273	23189	Feed Across Lever Extension Disengaging Handle Pin for 114-33 and 114-35 Machines.....
2273	23178	Needle Guard Pin for 124792 and 124983..
2921	23190	Thread Nipper (upper) Disc for 59778....
3012	23178	Stop Cam Pin.....
3021	23191	Button Spacing Gauge Cloth Plate Guide Block (right) Rivet for 124710.....
3021	23182	Cloth Plate Guide Block (right) Rivet for 62182.....
3021	23178	Thread Breaker Holder Connection Rivet for 62124.....
4448	23178	Arm Oil Tube for intermediate bearing...
4822	23157	Wrench for 1547 (Attachments and Accessories).....
6037	23190	Thread Nipper (lower) Blade Rivet for 124614.....
7071	23191	Button Spacing Gauge Screw Washer for 124952.....
7071	23190	Thread Pull-off Screw Washer.....
7335	23190	" Take-up Spring.....
8505	23168	Feed Plate Screw Stud Rivet for 62123...
8554	23190	Thread Nipper (lower) Driving Arm Pin...
8554	23190	" " " Lever Pin.....
8589	23192	Feed Regulator Bracket Dowel Pin.....
9311	23168	Button Clamp Spring Steady Pin for 39238 and 39239.....
9525	23191	Button Spacing Gauge Plate Screw Washer for 124952.....
9525	23189	Feed Across Lever Extension Position Arm Support Screw Washer for 114-33 and 114-35 Machines.....
9543	23158	Eye and Finger Guard Face Plate Thread Nipper Disc for 136587.....
9543	23188	Face Plate Thread Nipper Disc for 59712..
9544	23158	Eye and Finger Guard Face Plate Thread Nipper Disc Cover for 136587.....
9544	23188	Face Plate Thread Nipper Disc Cover for 59712.....
9545	23158	Eye and Finger Guard Face Plate Thread Nipper Disc Spring for 136587.....
9545	23188	Face Plate Thread Nipper Disc Spring for 59712.....

No.	Plate	Name
10875	23157	Wrench for 1518,1520,1649,1650 and 1662 (Attachments and Accessories).....
11622	9596	Stop Cam Interlocking Rod Case Spring...
11831	23157	Screw Driver (large) Attachments and Accessories.....
12162	23190	Thread Nipper (upper) Disc Guide Pin....
13351	23159	Starting Lever Chain, 46 in. to 55 in. long, with 56864 and 56865.....
13538	23190	Thread Nipper (upper) Stud Position Pin for 59776.....
13539	23190	Thread Nipper (upper) Stud Roller for 59777.....
13540	23190	Thread Nipper (upper) Stud Roller Pin for 59777.....
13710	23190	Tension Spring.....
14017	23192	Feed Across Regulator Link Screw Stud Nut Washer for 124866.....
14017	23192	Feed Regulator Roller and Screw Stud Nut Washer for 1953.....
*15404	-----	Trade Mark for 124825.....
15405	-----	" " Rivet for 124825.....
16532	23178	Arm Dowel Pin.....
17703	23178	" Shaft (horizontal) Bushing (back)...
17710	23168	Button Clamp Arm Hinge Plate.....
17713	23168	" " Pressure Spring Bracket....
17714	23168	" " " " Guide Block for 124732.....
17718	23188	Button Clamp Opening Lever Contact Piece Screw Washer.....
17718	23168	Button Clamp Spreader Lever Adjusting Plate Screw Washer for 124740.....
17718	23168	Button Clamp Spreader Lever Stop Screw Washer for 124740.....
17719	23168	Button Clamp Spreader Spring for 124740.
17720	23168	" " " Steady Pin for 39248
17723	23168	" " Stud for 39238 and 39239...
17737	23192	Feed Across Lever Hinge Stud for 124676.
17738	23192	" " Regulator Adjusting Screw Stud Nut Washer (steel).....
17738	23190	Thread Nipper (lower) Lever Shaft Bracket Screw Washer.....
17741	23168	Feed Across Regulator Link Stud for 62118.....
17742	23192	Feed Regulator with 1953.....
17743	23168	" " Post for 62123.....
17744	23168	" " Hinge Stud.....
17745	23168	" " Swivel.....
17806	23168	" Plate Position Stud for 62123.....
17842	23188	Presser Bar Guide Bracket with 453C....
17845	23190	" " Lifting Lever Rod.....

No.	Plate	Name
17846	23190	Presser Bar Lifting Lever Rod Chain.....
17853	23153	Starting Lever for 124773.....
17854	23178	Stop Cam for 68720.....
17855	23153	" " Interlocking Rod for 124771....
17859	23153	" " " " Case Socket Joint for 124773.....
17861	23153	Stop Cam Interlocking Rod Case Stop Stud for 124773.....
17862	23153	Stop Cam Interlocking Rod Case Stop Stud Spring for 124773.....
17863	23153	Stop Cam Interlocking Rod Spring for 124771.....
17864	23153	Stop Cam Interlocking Rod Stop for 124771.....
17872	23153	Trip Lever for 124773.....
17873	23153	" " Spring for 124773.....
17874	23182	Tripping Point for 124923,124924,124932 and 124937.....
17876	23159	Foot Lifter Treadle with 443C, for 17884
17876	23159	Starting Lever Treadle with 443C, for 17884.....
17877	23159	Foot Lifter Treadle Pitman Rod (lower) for 17880.....
17878	23159	Foot Lifter Treadle Pitman Rod (upper) for 17880.....
17879	23159	Foot Lifter Treadle Pitman Rod Clamp with two 161E, for 17880.....
17880	-----	Foot Lifter Treadle Pitman complete for 17885, Nos. 17877 to 17879.....
17881	23159	Foot Lifter Treadle Shaft for 17884....
17881	23159	Starting Lever Treadle Shaft for 17884..
17882	23159	Foot Lifter Treadle Spring for 17884....
17882	23159	Starting Lever Treadle Spring for 17884.
17883	23159	Foot Lifter Treadle Stand for 17884....
17883	23159	Starting Lever Treadle Stand for 17884..
17884	23159	Foot Lifter Treadle complete for 17885, Nos. 17876, 17881 to 17883 and two wood screws 1 in. No. 10.....
17884	23159	Starting Lever Treadle complete, Nos. 17876, 17881 to 17883 and two wood screws 1 in. No. 10.....
17885	-----	Foot Lifter Treadle and Pitman complete, Nos. 17880 and 17884.....
17892	23159	Table Belt Guide Bracket with two 153E, for 39221.....
17893	23159	Table Belt Guide Pulley for 39221.....
17896	23159	" " " " Shaft Plug for 39219 and 39220.....
17905	23157	Wrench for 1176,1178,1654,1655 and 1676 (Attachments and Accessories).....

NUMERICAL LIST OF PARTS

No.	Plate	Name
17915	9596	Thread Breaker Bar Connection Slide Block for 17917.....
17916	9596	Thread Breaker Bar Connection Slide Block Stud for 17917.....
17917	-----	Thread Breaker Bar Connection Slide Block 17915 with 17916, for 62126...
17997	23184	Feed Cam Driving Worm Wheel with 453C, for 124874 and 124954.....
18368	23168	Feed Plate Carrier Bar Plate for 62123..
18384	23182	" Cam Driving Worm Wheel Pin.....
18384	23182	" " Pin.....
18420	23157	Cylinder Base Plate Hinge Connection for 124959.....
18423	23157	Cylinder Base Plate Hinge Connection Hinge Pin for 124959.....
*18445	-----	Feed Plate Carrier Bar for 62123.....
18498	23178	Belt Cover.....
19694	9596	Stop Cam Interlocking Rod Case Spring Hook.....
20437	23168	Button Clamp Pressure Spring Screw Washer.....
21828	23153	Stop Cam Interlocking Rod Case Bracket Dowel Pin.....
25200	23157	Wrench for 1527 (Attachments and Accessories).....
26026	23157	Screw Driver (small) Attachments and Accessories.....
26770	23191	Button Spacing Gauge Cloth Plate Stop Rivet for 124710.....
26770	23182	Cloth Plate Stop Rivet for 62182.....
27662	23157	Wrench for 1254 and 1508 (Attachments and Accessories).....
27739	23160	Thread Unwinder Thread Cone (wood) for large cone, for 225260.....
32576	23190	Thread Take-up Spring Regulator.....
32675	23188	Presser Bar Spring.....
34418	23178	Looper Washer for 62298.....
39218	23159	Table Belt Guide with two 168E, for 39221.....
39219	23159	Table Belt Guide Pulley Shaft (long) with 17896 and 63973, for 39221.....
39220	23159	Table Belt Guide Pulley Shaft Short with 17896 and 63974, for 39221.....
39221	23159	Table Belt Guide complete, Nos. 17892, 39219, 39220, two each 17893, 39218 and three wood screws 1 1/4 in. No. 12.....
39222	23153	Belt Shifter for 124771.....
39231	23180	Feed Cam Driving Worm with 1441C and 1442C, for 114-34 and 114-35 Machines.....

18361-3

NUMERICAL LIST OF PARTS

No.	Plate	Name
39238	23168	Button Clamp (left) with 9311 and 17723, for 124740.....
39239	23168	Button Clamp (right) with 9311 and 17723, for 124740.....
39241	23168	Button Clamp Pressure Spring.....
39242	23168	" " Spreader for 124740.....
39244	23168	" " Spring (left) for 124740...
39245	23168	" " " (right) for 124740..
39248	23168	" " Stop with two 17720, for 124740.....
39452	23188	Thread Wiper Body for 136556.....
39453	23188	" " " Finger.....
39455	23188	" " " Wire for 136556.....
39456	23188	" " " Clamp for 136556.
41635	23160	" Unwinder Thread Guide Bracket with 175E, for 60772.....
42639	23188	Needle Bar Thread Retainer Position Pin for 124796.....
42808	23188	Thread Take-up Roller for 124626.....
46244	23192	Feed Across Regulator Adjusting Screw Stud Nut Washer (fibre).....
50018F	23186	Thread Breaker Holder Cap Screw for 136555.....
50117J	23188	Button Clamp Opening Lever Contact Piece Arm Screw.....
50150C	23189	Feed Across Lever Extension Hinge Pin Set Screw for 59713.....
50150C	23178	Loop Finger Driver Cam Set Screw for 124978.....
50150C	23178	Looper Shaft Coupling Set Screw for 124765.....
50150C	23178	Thread Nipper (upper) Cam Set Screw for 59774.....
50152D	9596	Thread Breaker Bar Check Screw.....
50165J	23158	Eye and Finger Guard Frame Screw for 121613.....
50183D	23186	Loop Finger Driver Hinge Screw for 114-32 and 114-34 Machines.....
50189C	23178	Looper Shaft Bushing Set Screw.....
50222K	23158	Eye and Finger Guard Carrying Arm Hinge Screw (front) for 121613.....
50237F	23168	Button Clamp Spreader Lever Stop Position Screw for 124740.....
50274C	23178	Looper Set Screw for 124885 and 124977..
50306D	23168	Feed Plate Carrier Bar Pivot Block Screw
50324C	23192	" Across Regulator Link Screw Stud for 124866.....
50333C	23178	Arm Shaft (horizontal) Bushing (back) Adjusting Screw.....
50370J	23190	Tension Thread Guide Set Screw.....

No.	Plate	Name
50370J	23190	Thread Take-up Spring Thread Guide Set Screw.....
50372D	23153	Stop Cam Interlocking Rod Case Bracket Screw.....
50435J	9596	Brake Adjusting Plate Handle Hinge Screw
50435K	23158	Eye and Finger Guard Depressing Screw for 121627.....
50435K	23158	Eye and Finger Guard Guiding Rod Hinge Screw for 121613.....
50446D	9596	Brake Hinge Screw.....
50599D	23192	Feed Across Regulator Adjusting Screw Stud.....
51120J	9596	Thread Breaker Bar Check Regulating Screw for 124936.....
51188J	23190	Thread Nipper (lower) Lever Shaft Bracket Screw.....
51224W	9596	Brake Adjusting Plate Thumb Screw.....
51224W	23191	Button Spacing Gauge Thumb Screw for 124704.....
51387R	23178	Pulley (loose) Cap Screw for 68717.....
51591J	9596	Thread Breaker Bar Check Regulating Screw Lock Nut for 124936.....
51814	23189	Feed Across Lever Extension Guiding Roller and Screw Stud for 59715.....
51857	23178	Needle Guard Shaft Crank Roller for 124974.....
51868	23186	Loop Finger Driver Roller and Stud for 124757.....
52045	23178	Looper Driving Shaft Bushing Packing (cotton).....
55300	23168	Feed Across Lever Plate Steady Pin for 62123.....
55381	23192	Feed Across Connection (lever end) Ball Stud for 63941.....
56015	23178	Arm Oil Tube for oiling 59705 and 59706.
56493	9596	Brake Pad (leather) for 124713.....
56864	23159	Starting Lever Chain Hook (large) for 13351.....
56865	23159	Starting Lever Chain Hook (small) for 13351.....
59702	23178	Arm Shaft (horizontal) for 136541.....
59703	23178	" " " Gear with two 1036C.....
59704	23178	Arm Shaft (upright).....
59705	23178	" " " Bushing (lower).....
59706	23178	" " " " (upper).....
59707	23178	" " " Gear (lower) with two 1253C.....
59707	23178	Looper Driving Shaft Gear with two 1253C
59708	23178	Arm Shaft (upright) Gear (upper) with two 1253C.....

No.	Plate	Name
59711	23188	Face Plate for 59712.....
59712	23188	Face Plate complete, Nos.208D,9544,9545, 59711 and two each 229D, 2107 and 9543.....
59713	23189	Feed Across Lever with 1185C and 50150C, for 59714.....
59714	-----	Feed Across Lever complete for 114-33 and 114-35 Machines, Nos.59713,59715 and 59721.....
59715	23189	Feed Across Lever Extension with 1952 and 51814, for 59714.....
59716	23189	Feed Across Lever Extension Disengaging Eccentric for 114-33 and 114-35 Machines.....
59717	23189	Feed Across Lever Extension Disengaging Eccentric Connection for 114-33 and 114-35 Machines.....
59718	23189	Feed Across Lever Extension Disengaging Eccentric Connection Spring for 114-33 and 114-35 Machines.....
59719	23189	Feed Across Lever Extension Disengaging Eccentric Shaft for 114-33 and 114-35 Machines.....
59720	23189	Feed Across Lever Extension Disengaging Handle for 114-33 and 114-35 Machines.....
59721	23189	Feed Across Lever Extension Hinge Pin for 59714.....
59722	23189	Feed Across Lever Extension Position Arm for 59800.....
59723	23189	Feed Across Lever Extension Position Arm Support for 114-33 and 114-35 Machines.....
59724	23189	Feed Across Lever Hinge Stud for 59800..
59728	23183	" Cam Shaft for 124931 and 124954....
59730	23168	" Plate Carrier Bar Pivot Block.....
59734	9596	Thread Breaker Bar Driving Lever with 223F and 59735.....
59735	9596	Thread Breaker Bar Driving Lever Lock Stud for 59734.....
59739	23186	Thread Breaker Holder Cap Stud for 62129
59739	23186	" " " Stud for 124908...
59747	23178	Looper Driving Shaft Gear Cover.....
59761	23178	Needle Guard Shaft Collar with two 465C.
59765	23178	" " " Spring.....
59766	23178	" " " Collar with 624C
59773	23190	Thread Nipper (upper) Body for 59778....
59774	23178	" " " Cam with two 50150C, for 136541.....
59775	23190	Thread Nipper (upper) Eyelet for 59778..

No.	Plate	Name
59776	23190	Thread Nipper (upper) Stud with 13538, for 59777.....
59777	-----	Thread Nipper (upper) Stud complete for 59778, Nos. 13539, 13540 and 59776..
59778	23190	Thread Nipper (upper) complete, Nos. 1527D, 1743D, 2026, 59773, 59775, 59777, 62169 and two 2921.....
59795	23178	Belt Cover Bracket with 184E and 59796..
59796	23178	" " " Stud for 59795.....
59797	23174	Button Tray with two wood screws 1 1/4 in. No. 14 (Attachments and Accessories).....
59800	-----	Feed Across Lever Extension Position Arm 59722 with 2022 and 59724, for 114-33 and 114-35 Machines.....
60771	23160	Thread Unwinder Thread Guide for 60772..
60772	-----	" " " " 60771 with 41635, for 60773.....
60773	23160	Thread Unwinder with Thread Guide complete, Nos. 60772 and 225260.....
62102	23191	Button Spacing Gauge Cloth Plate Guide Block (left) for 124710.....
62102	23182	Cloth Plate Guide Block (left) for 62182
62103	23191	Button Spacing Gauge Cloth Plate Guide Block (right) for 124710.....
62103	23182	Cloth Plate Guide Block (right) for 62182.....
62104	23191	Button Spacing Gauge Cloth Plate Stop for 124710.....
62104	23182	Cloth Plate Stop for 62182.....
62111	23182	Cylinder End Cover Bracket Hinge Pin for 124743.....
62113	23182	Cylinder End Cover Spring for 124743....
62115	23192	Feed Across Connection Adjusting Stud...
62117	23192	" Regulator Bracket with three 160J..
62118	23168	" Across Lever Plate with 17741, for 62123.....
62119	23168	Feed Across Lever Plate Cover for 62123.
62121	23192	" " Regulator Link.....
62123	23168	" Plate Carrier Bar 18445 with 934J, 1094F, 1195E, 8505, 17743, 18368, 62118, 62119, two 55300 and four 17806....
62124	23178	Thread Breaker Bar with 62130 and two 3021.....
62126	9596	Thread Breaker Bar Connection with 17917
62129	23186	" " Holder Cap with 59739, for 136555.....
62130	23178	Thread Breaker Holder Connection for 62124.....
62147	23192	Feed Across Lever with 641C and 1952, for 124676.....

No.	Plate	Name
62155	23182	Feed Cam Shaft for 124874 and 124927....
62169	23190	Thread Nipper (upper) Disc Spring for 59778.....
62171	23188	Thread Take-up Roller Cap for 124626....
62172	23188	" " " Pin for 124625....
62182	23182	Cloth Plate complete, Nos. 742F, 1547J, 2677C, 62102 to 62104 and two 3021..
62185	23182	Cylinder End Cover Bracket for 124743...
62189	23182	" Bottom Cover for 124743.....
62235	23178	Needle Bar Crank Wheel with 446C and 1293C, for 136541.....
62297	23168	Feed Plate for four hole buttons.....
62298	23178	Looper with 34418, for 114-32 and 114-34 Machines.....
62299	23188	Needle Bar with 1072F.....
62506	-----	Tension Screw Stud 1274C with 1560C....
63940	23192	Feed Across Connection (lever end) with two 896E, for 63941.....
63941	-----	Feed Across Connection (lever end) 63940 with 55381.....
63942	23192	Feed Across Connection (regulator end) with two 896E, for 63943.....
63943	-----	Feed Across Connection (regulator end) 63942 with 63944.....
63944	23192	Feed Across Connection (regulator end) Ball Stud for 63943.....
63973	23159	Table Belt Guide Pulley Shaft (long) Wick (braided cotton) for 39219.....
63974	23159	Table Belt Guide Pulley Shaft (short) Wick (braided cotton) for 39220.....
63976	23153	Belt Shifter Clamp for 124904.....
65135	23188	Needle Bar Connecting Stud with 391E, for 136588.....
68712	23178	Pulley (loose) 2 3/4 in. diam., with 200584D, for 68713.....
68713	-----	Pulley (loose) 68712 with 68714, for 68717.....
68714	23178	Pulley (loose) Ball Bearing for 68713...
68715	23178	" " Bushing for 68717.....
68716	23178	" (tight) 2 7/8 in. diam., for 68720
68717	-----	Pulleys (ball bearing) complete for 136541, Nos. 51387R, 68713, 68715 and 68720.....
68720	-----	Pulley (tight) 68716 with 1206C and 17854, for 68717.....
68739	23153	Stop Cam Interlocking Rod Stop Screw Washer for 124771.....
120346	23157	Oiler (copper plated) with 120347 (Attachments and Accessories).....
120347	23157	Oiler Spout, 8 1/2 in. long, for 120346.

NUMERICAL LIST OF PARTS

No.	Plate	Name
121603	23158	Eye and Finger Guard (glass) for 121608.
121604	23158	" " " " Carrying Arm for 121613.....
121605	23158	Eye and Finger Guard Carrying Arm Spring for 121613.....
121606	23158	Eye and Finger Guard Depressing Screw Holder for 121627.....
121607	23158	Eye and Finger Guard Frame for 121608...
121608	23158	" " " " " 121607 with 121603, for 121613.....
121609	23158	Eye and Finger Guard Guiding Rod for 121613.....
121611	23158	Eye and Finger Guard Holder for 121613..
121612	23158	" " " " Supporting Bracket for 121613.....
*121613	-----	Eye and Finger Guard complete for 121627, Nos. 1004K, 1698J, 1735J, 50222K, 50435K, 121604, 121605, 121608, 121609, 121611, 121612 and two 50165J.
121627	23158	Eye and Finger Guard with Face Plate complete, Nos. 50435K, 121606, 121613, 136587, 140061J and two 191J.....
124601	23179	Needle Guard Cam with two 465C, for 114-33 and 114-35 Machines.....
124602	23178	Needle Guard Shaft Crank with 124974 and two 1253C.....
124607	23188	Thread Controller Spring for 124611....
124608	23188	" " " " Collar with 1477F, for 124611.....
124609	23188	Thread Controller Sleeve for 124611....
124610	23188	" " Stud for 124611.....
124611	-----	Thread Controller complete, Nos. 124607 to 124610.....
124614	23190	Thread Nipper (lower) Blade Carrier with 124619 and two 6037.....
124615	23186	Thread Nipper (lower) Blade Carrier Hinge Stud for 136547.....
124618	23190	Thread Nipper (lower) Connection Exten- sion.....
124619	23190	Thread Nipper (lower) Connection Hinge Stud for 124614.....
124620	23190	Thread Nipper (lower) Driving Arm.....
124621	23190	" " " Lever with 237K...
124623	23190	" " " Shaft.....
124625	23188	" Take-up Body with 62172, for 124626
124626	-----	Thread Take-up complete, Nos. 337J, 42808, 62171 and 124625.....
124653	23190	Thread Nipper (lower) Connection.....
124674	23178	Arm Side Cover.....
124676	-----	Feed Across Lever 62147 with 17737, for 114-32 and 114-34 Machines.....

NUMERICAL LIST OF PARTS

No.	Plate	Name
124678	23190	Button Clamp Locking Device Latch Shaft.
124679	23190	" " " " " " "
		Crank.....
124680	23190	Button Clamp Locking Device Latch Shaft Crank Connection.....
124683	-----	Feed Plate for two hole flat bottom buttons for 114-33 and 114-35 Ma- chines.....
124698	23178	Needle Guard Shaft Crank Roller Bushing for 124974.....
124699	23178	Needle Guard Shaft Crank Roller Bushing Stud for 124974.....
124700	23191	Button Spacing Gauge (lower) for 124704.
124701	23191	" " " (upper) for 124704 and 124707.....
124702	23191	Button Spacing Gauge Holder with 124703, for 124704.....
124703	23191	Button Spacing Gauge Holder Position Stud for 124702.....
124704	23191	Button Spacing Gauge complete with Cloth Plate, Nos. 217J, 602J, 51224W and 124700 to 124702.....
124705	23191	Button Spacing Gauge (lower) for 124707.
124706	23191	" " " Holder for 124707 and 124952.....
124707	23191	Button Spacing Gauge complete without Cloth Plate, Nos. 181J, 602J, 124701, 124705, 124706 and two wood screws 1 in. No. 10 R.H.B.....
124708	23191	Button Spacing Gauge Cloth Plate with three 1602E, for 124710.....
124710	23191	Button Spacing Gauge Cloth Plate com- plete for 124704, Nos. 742F, 1547D, 26770, 62102 to 62104, 124708 and two 3021.....
124711	23190	Button Clamp Locking Device Latch with two 1057J.....
124712	9596	Brake for 124713.....
124713	-----	" 124712 with four 56493.....
124714	9596	" Adjusting Plate.....
124715	9596	" " " Handle for 124716.
124716	-----	" " " " 124715 with 124717.....
124717	9596	Brake Adjusting Plate Handle Shaft for 124716.....
124718	9596	Brake Adjusting Plate Handle Shaft Crank with 1253C.....
124719	9596	Brake Adjusting Plate Thumb Screw Bush- ing for 124741.....
124720	9596	Brake Arm.....

No.	Plate	Name
124732	23168	Button Clamp Arm with 17714 and 124780, for 124740.....
124733	23168	Button Clamp Opening Lever for 124740...
124734	23168	" " " " Bracket for 124740.....
124735	23188	Button Clamp Opening Lever Contact Piece
124736	23188	" " " " " "
		Arm.....
124737	23168	Button Clamp Spreader Lever for 124740..
124738	23168	" " " " Adjusting Plate for 124740.....
124739	23168	Button Clamp Spreader Lever Stop for 124740.....
124740	-----	Button Clamp complete, Nos. 99R, 1181J, 1183J, 17719, 39238, 39239, 39242, 39244, 39245, 39248, 50237F, 124732 to 124734, 124737 to 124739, two each 226J, 1175E, 17718 and five 1182J.....
*124741	-----	Cylinder with 124719.....
124742	23182	" End Cover for 124743.....
124743	23182	" " " 124742 with 1034D, 62111, 62113, 62185, 62189, 124744 and four 1477D.....
124744	23182	Cylinder End Cover Hinge for 124743.....
124745	23178	" Oil Well Cover.....
124747	-----	Feed Plate for two hole buttons for 114-32 and 114-34 Machines.....
124752	23186	Loop Finger Carrier Crank with 208J and 124755, for 124791.....
124753	23186	Loop Finger Carrier Holder for 124797...
124754	23186	" " " Pitman with four 218J, for 124791.....
124755	23186	Loop Finger Carrier Pitman Ball Stud for 124752 and 124757.....
124757	23186	Loop Finger Driver with 51868 and 124755, for 124791.....
124759	23178	Loop Finger Rocking Frame for 114-32 and 114-34 Machines.....
124761	23178	Looper Driving Shaft.....
124762	23178	" " " Bushing.....
124763	23178	" Shaft.....
124764	23178	" " Bushing.....
124765	23178	" " Coupling with four 50150C..
124766	23179	Needle Guard for 124792.....
124767	23178	" " Shaft for 124792 and 124983
124768	23178	" " Spreader.....
124770	-----	Stop Cam Interlocking Rod Case 124784 with 124774, 124901 and two 176J, for 124904.....

No.	Plate	Name
124771	-----	Stop Cam Interlocking Rod Case 124904 with 1318D, 17855, 17863, 17864, 39222 and 68739, for 124773.....
124772	23153	Stop Cam Interlocking Rod Case Bracket for 124773.....
124773	-----	Stop Cam Interlocking Rod Case Bracket complete, Nos. 1182E, 1196C, 1204E, 1254C, 1262C, 1508J, 1662C, 17853, 17859, 17861, 17862, 17872, 17873, 124771, 124772 and two 898D.....
124774	23153	Stop Cam Interlocking Rod Case Wearing Block for 124770.....
124777	23188	Thread Wiper Body Support for 136556....
124780	23168	Button Clamp Arm Hook for 124732.....
124784	23153	Stop Cam Interlocking Rod Case for 124770.....
124787	23186	Thread Breaker Bar Guide.....
124790	23190	Presser Bar Lifting Lever.....
124791	-----	Loop Finger Carrier Pitman 124754 with 124752 and 124757, for 114-32 and 114-34 Machines.....
124792	-----	Needle Guard Shaft 124767 with 2273 and 124766, for 114-33 and 114-35 Ma- chines.....
124794	23188	Needle Bar Thread Retainer for 124795...
124795	-----	Needle Bar Thread Retainer complete, Nos. 1449H, 124794, 124796 and 124821....
124796	23188	Needle Bar Thread Retainer Bracket with 853C and two 42639, for 124795.....
124797	-----	Loop Finger Carrier 124824 with 124753, for 114-32 and 114-34 Machines.....
124821	23188	Needle Bar Thread Retainer Spring for 124795.....
124823	23190	Button Clamp Locking Device Latch Shaft Crank Pin.....
124824	23186	Loop Finger Carrier for 124797.....
*124825	-----	Arm 124845 with 15404, 124839 and two each 164E and 15405.....
124838	23190	Presser Bar Collar and Thread Pull-off Bracket with two 196C.....
124839	23190	Presser Bar Lifting Lever Bracket for 124825.....
124840	23190	Tension Thread Guide.....
124841	23184	Thread Nipper (lower) Cam for 124932 and 124937.....
124843	23190	Thread Pull-off (double).....
124844	23190	" Take-up Spring Thread Guide.....
*124845	-----	Arm for 124825.....
124846	9596	Brake Spring.....
124849	23186	Loop Guard.....

NUMERICAL LIST OF PARTS

No.	Plate	Name
124850	23186	Thread Breaker for 136555.....
124865	23192	Feed Across Regulator for 124866.....
124866	-----	" " " 124865 with 1188D, 1655E, 14017 and 50324C.....
124874	-----	Feed Cam Shaft 62155 with 1653C and 17997, for 114-34 Machine.....
124885	23179	Looper Collar with 50274C, for 114-33 and 114-35 Machines.....
124901	-----	Brake Arm Releasing Lever 124902 with 124903 and two 792C, for 124770....
124902	23153	Brake Arm Releasing Lever for 124901....
124903	23153	" " " " Bracket for 124901.....
124904	-----	Stop Cam Interlocking Rod Case 124770 with 63976 and two 1255D, for 124771
124906	23188	Button Clamp Lifter.....
124907	23186	Knife for 136555.....
124908	23186	Thread Breaker Holder with 59739, for 136555.....
124923	23182	Feed Cam with two each 190J, 1192C, 17874, 124929, 124930 and eight 335J, for 114-32 Machine.....
124924	23183	Feed Cam with two each 190J, 1192C, 17874, 124929, 124930 and eight 335J, for 114-33 Machine.....
124925	23178	Feed Cam Driving Worm with 1441C and 1442C, for 114-32 and 114-33 Ma- chines.....
124926	23182	Feed Cam Driving Worm Wheel with 453C, for 124927 and 124931.....
124927	-----	Feed Cam Shaft 62155 with 1653C and 124926, for 114-32 Machine.....
124928	23179	Looper for 114-33 and 114-35 Machines...
124929	23182	Thread Nipper (lower) Cam for 124923 and 124924.....
124930	23182	Thread Nipper (lower) Lever Guide for 124923 and 124924.....
124931	-----	Feed Cam Shaft 59728 with 1653C and 124926, for 114-33 Machine.....
124932	23184	Feed Cam with 190J, 17874, 124841, two each 1192C, 124973 and six 335J, for 114-34 Machine.....
124933	9596	Thread Breaker Bar Check for 124936....
124934	9596	" " " " Plunger for 124936.....
124935	9596	Thread Breaker Bar Check Plunger Case for 124936.....
124936	-----	Thread Breaker Bar Check complete, Nos. 51120J, 51591J, 124933 to 124935, 124938 and two 1722D.....

NUMERICAL LIST OF PARTS

No.	Plate	Name
124937	23185	Feed Cam with 190J, 17874, 124841, two each 1192C, 124973 and six 335J, for 114-35 Machine.....
124938	9596	Thread Breaker Bar Check Plunger Spring for 124936.....
124950	23191	Button Spacing Gauge for 124952.....
124951	23191	" " " Plate for 124952...
124952	23191	Button Spacing Gauge complete, without Cloth Plate, Nos. 181J, 9525, 124706, 124950, 124951 and two each 217J, 7071 and wood screws 1 in. No. 10 R.H.....
124954	-----	Feed Cam Shaft 59728 with 1653C and 17997, for 114-35 Machine.....
124957	23190	Thread Nipper (lower) Lever Shaft Bracket.....
124958	23157	Cylinder Base Plate with two 453C, for 124959.....
124959	23157	Cylinder Base Plate (hinged) complete for 124975, Nos. 124958, two each 18420, 18423, three wood screws 1 1/4 in. No. 12 and four 134E.....
124960	23157	Machine Supporting Bracket (lower) for 124966.....
124961	23157	Machine Supporting Bracket (upper) for 124966.....
124962	23157	Machine Supporting Link (lower) for 124966.....
124963	23157	Machine Supporting Link (upper) for 124966.....
124964	23157	Machine Supporting Link Hinge Rivet for 124966.....
124964	23157	Machine Supporting Link Lock Plate Rivet for 124966.....
124965	23157	Machine Supporting Link Lock Plate for 124966.....
124966	23157	Machine Support complete for 124975, Nos. 178J, 1396J, 124960 to 124963, 124965, 190333 and four 124964.....
124973	23184	Thread Nipper (lower) Lever Guide for 124932 and 124937.....
124974	-----	Needle Guard Shaft Crank Roller complete for 124602, Nos. 51857, 124698 and 124699.....
124975	-----	Cylinder Base Plate 124959 with 124966 (Attachments and Accessories).....
124977	23178	Loop Finger Cam with 50274C, for 114-32 and 114-34 Machines.....
124978	23178	Loop Finger Driver Cam with two 50150C, for 114-32 and 114-34 Machines.....

NUMERICAL LIST OF PARTS

No.	Plate	Name
124979	23178	Needle Guard for 124983.....
124980	23178	" " Cam with two 465C, for 114-32 and 114-34 Machines.....
124981	23186	Throat Plate Needle Guard for 136555....
124983	-----	Needle Guard Shaft 124767 with 2273 and 124979, for 114-32 and 114-34 Ma- chines.....
124988	23186	Loop Finger for 114-32 and 114-34 Ma- chines.....
*136541	-----	Arm Shaft (horizontal) 59702 with 59774, 62235 and 68717.....
136547	23186	Throat Plate with 124615, for 136555....
136555	23186	Throat Plate complete, Nos. 665J, 1547J, 50018F, 62129, 124850, 124907, 124908, 124981, 136547 and two each 206J and 236F.....
136556	-----	Thread Wiper Body Support 124777 with 1207D, 1302D, 39452, 39455 and 39456...
136586	23158	Eye and Finger Guard Face Plate for 136587.....
136587	-----	Eye and Finger Guard Face Plate complete for 121627, Nos. 208J, 9544, 9545, 136586 and two each 229J, 2107 and 9543.....
136588	23188	Needle Bar Connecting Link with 377C, 1518J and 65135.....
136594	-----	Arm Oil Tube for oiling Needle Bar Con- necting Link (upper) Bearing.....
140061J	23158	Eye and Finger Guard Depressing Screw Holder Screw for 121627.....
150203	23160	Thread Unwinder Spool Rest Cushion (felt) for 225260.....
190333	23157	Machine Supporting Link Lock Plate Lock Stud for 124966.....
200383C	23160	Thread Unwinder Spool Rest Rod Set Screw for 202490.....
200584D	23178	Pulley (loose) Oil Hole Plug Screw for 68712.....
201018C	23160	Thread Unwinder Spool Rest Set Screw for 225259.....
201696J	23160	Thread Unwinder Thread Guide Lock Nut for 225260.....
202490	23160	Thread Unwinder Spool Stand with 200383C, for 225260.....
225259	23160	Thread Unwinder Spool Rest for 201018C, for 225260.....
225260	-----	Thread Unwinder complete for 60773, Nos. 150203, 201696J, 202490, 225259, 225324, 225326, 225388, 225391 and three wood screws 7/8 in. No. 12.....

NUMERICAL LIST OF PARTS

No.	Plate	Name
225322	23160	Thread Unwinder Thread Guide Rod Washer for 225324.....
225324	23160	Thread Unwinder Thread Guide Rod with 208E and 225322, for 225260.....
225326	23160	Thread Unwinder Thread Guide Position Cup for 225260.....
225388	23160	Thread Unwinder Spool Rest Rod for 225260.....
225390	23160	Thread Unwinder Thread Cone Holder, for inverted cones, for 225260.....
225391	23160	Thread Unwinder Thread Guide for 225260.

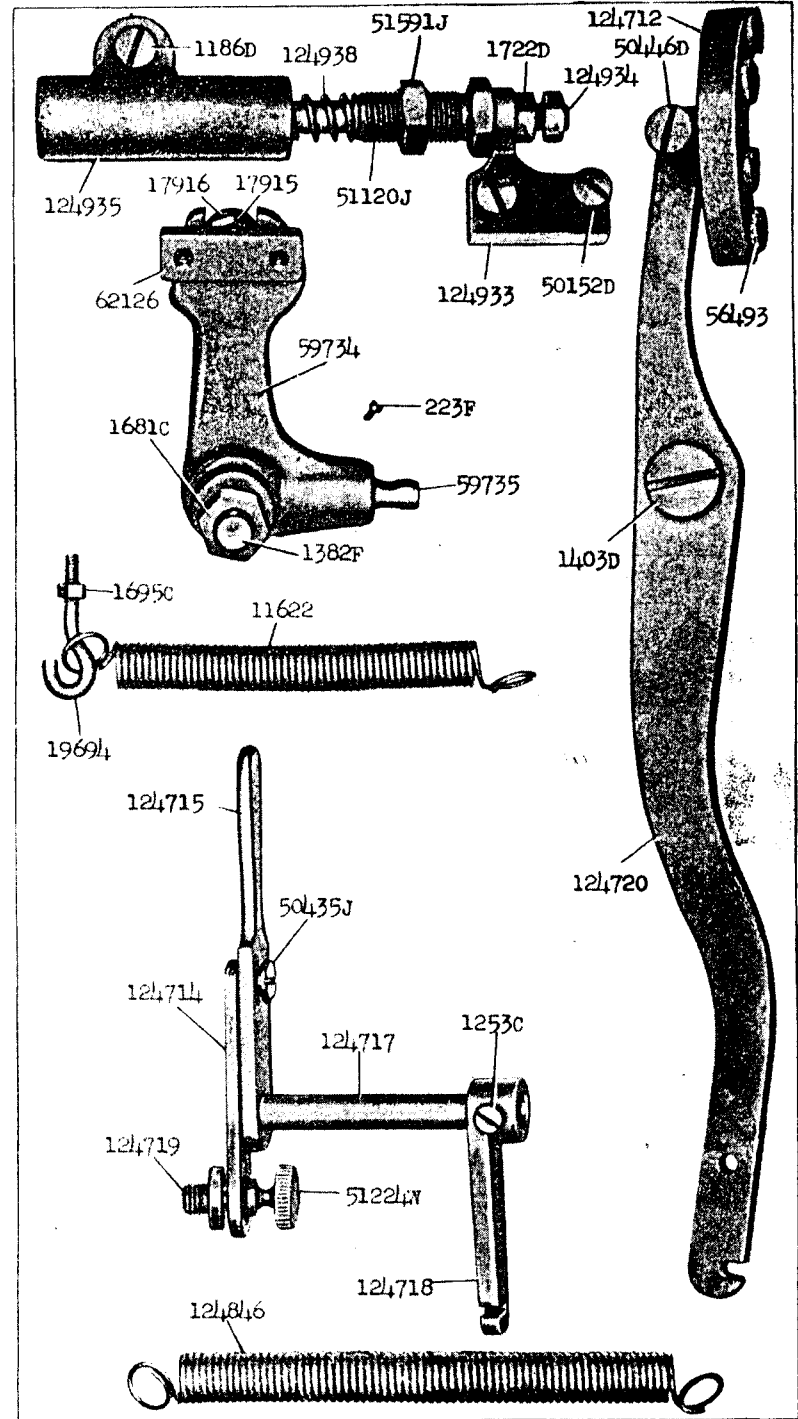
Genuine Singer Needles should be used
in Singer Machines.
These Needles and their Containers
are marked with the
Company's Trade Mark "SIMANCO." 1

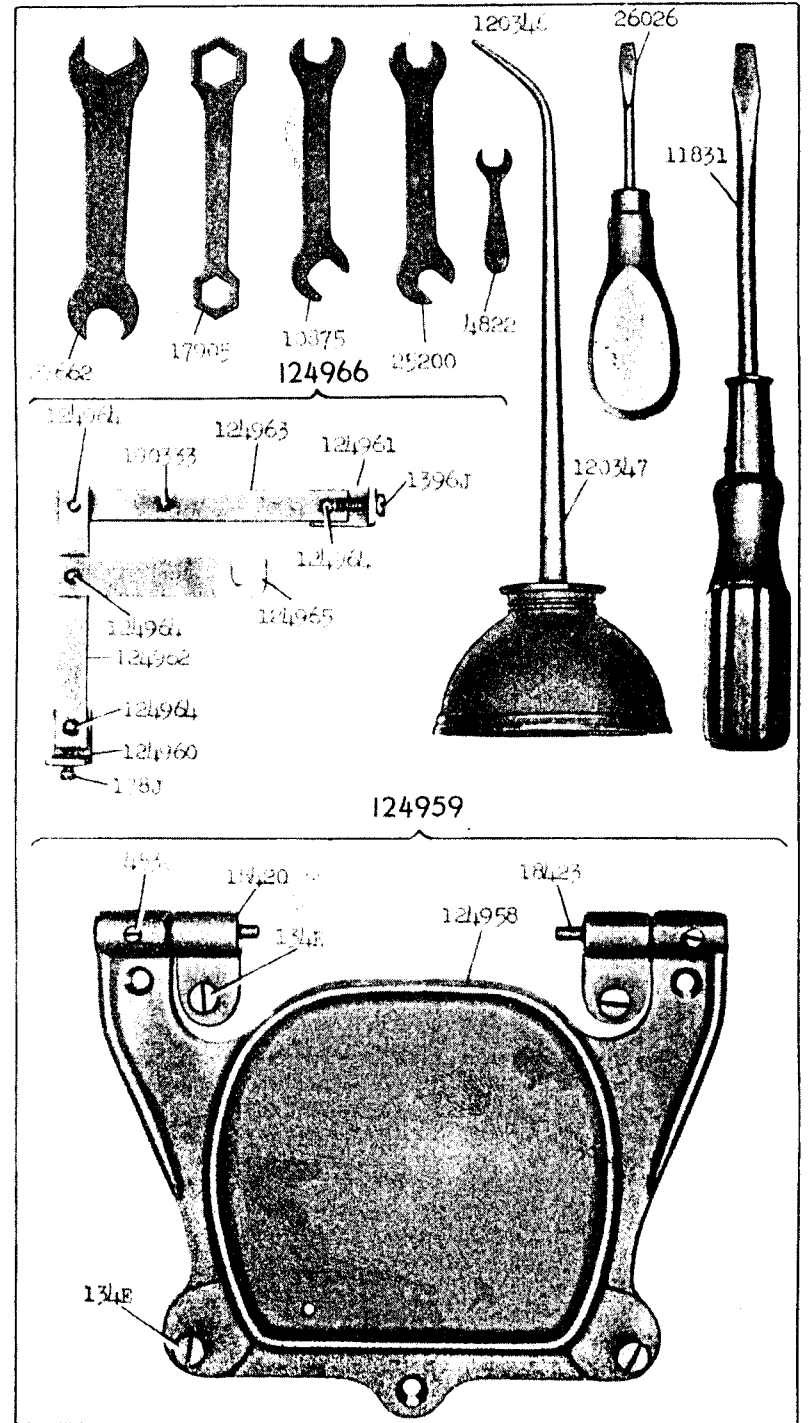
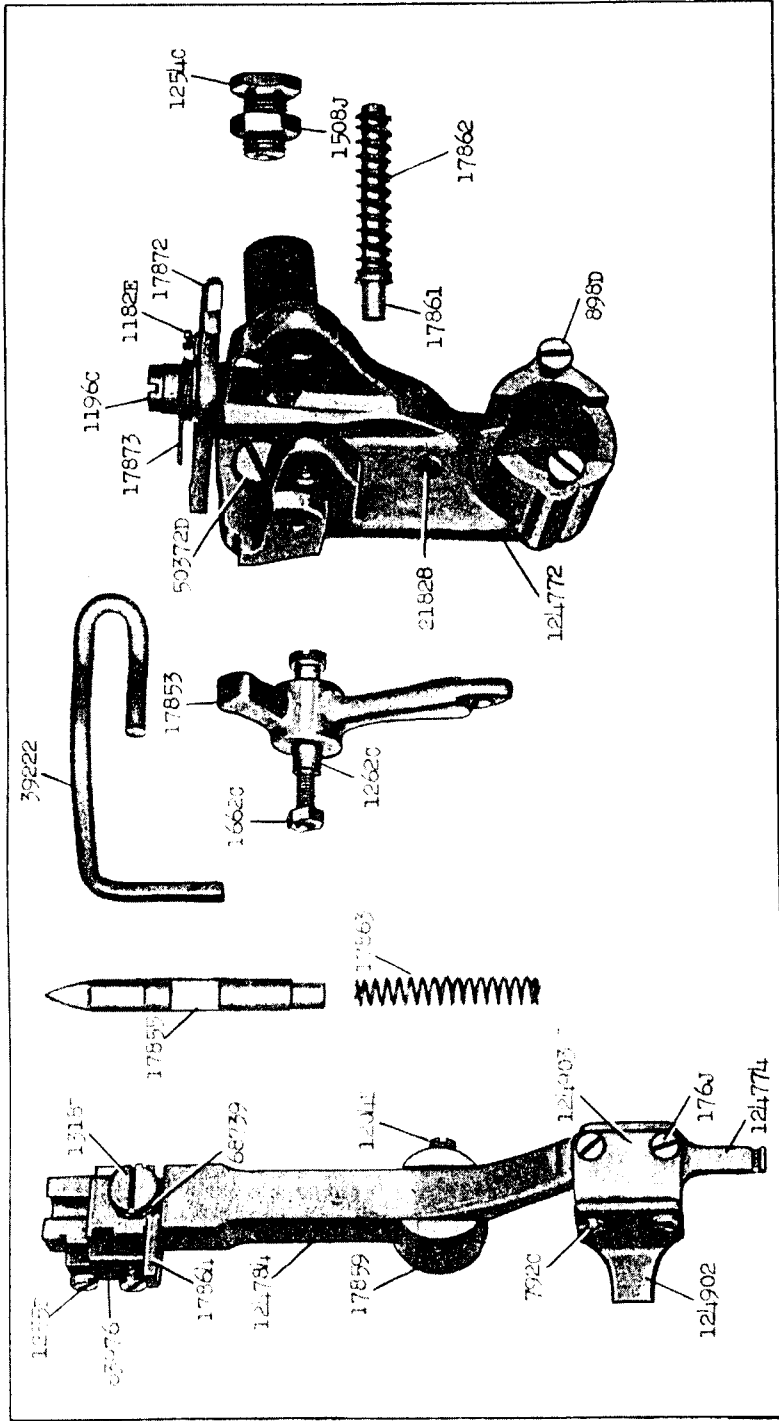
Needles in Containers marked
"For Singer Machines"
are not Singer made needles. 2

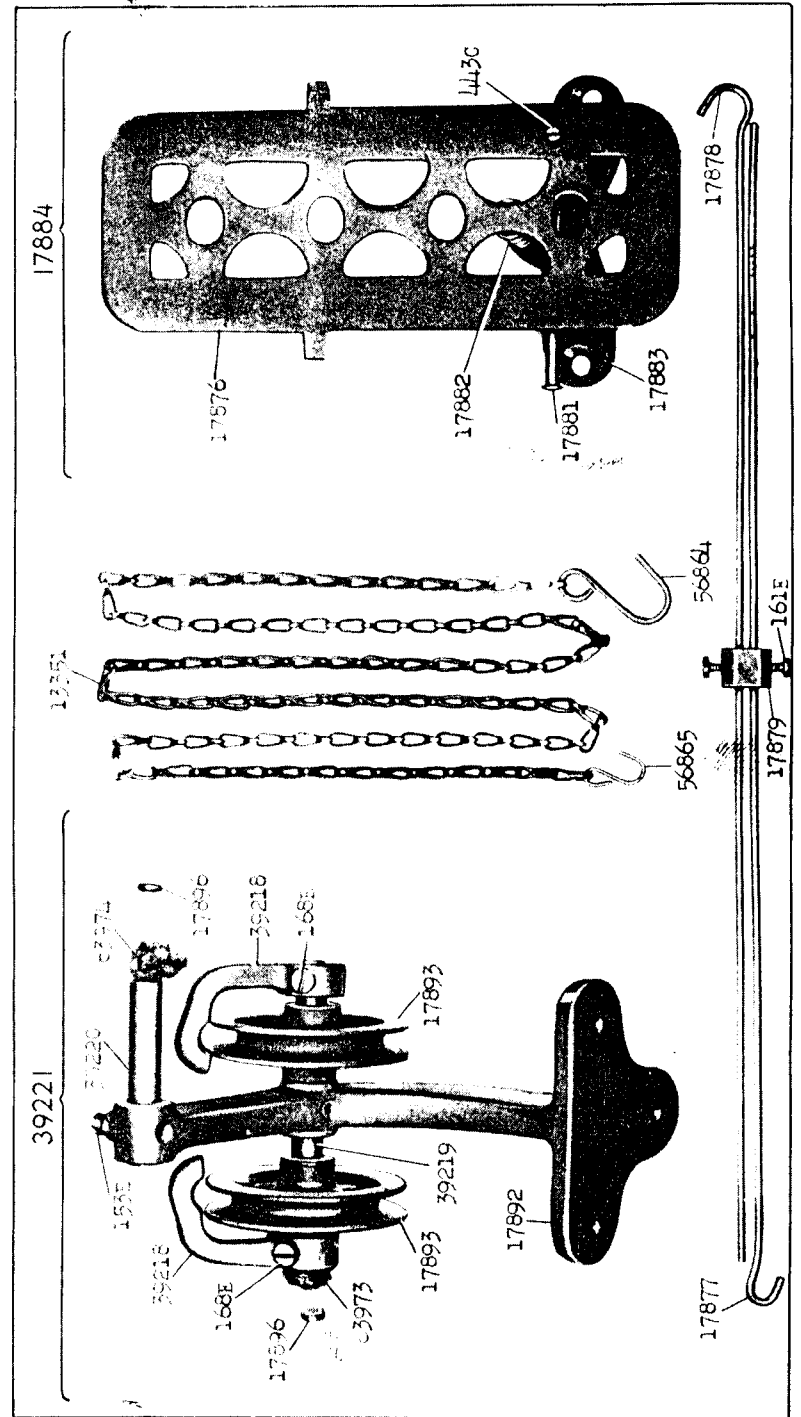
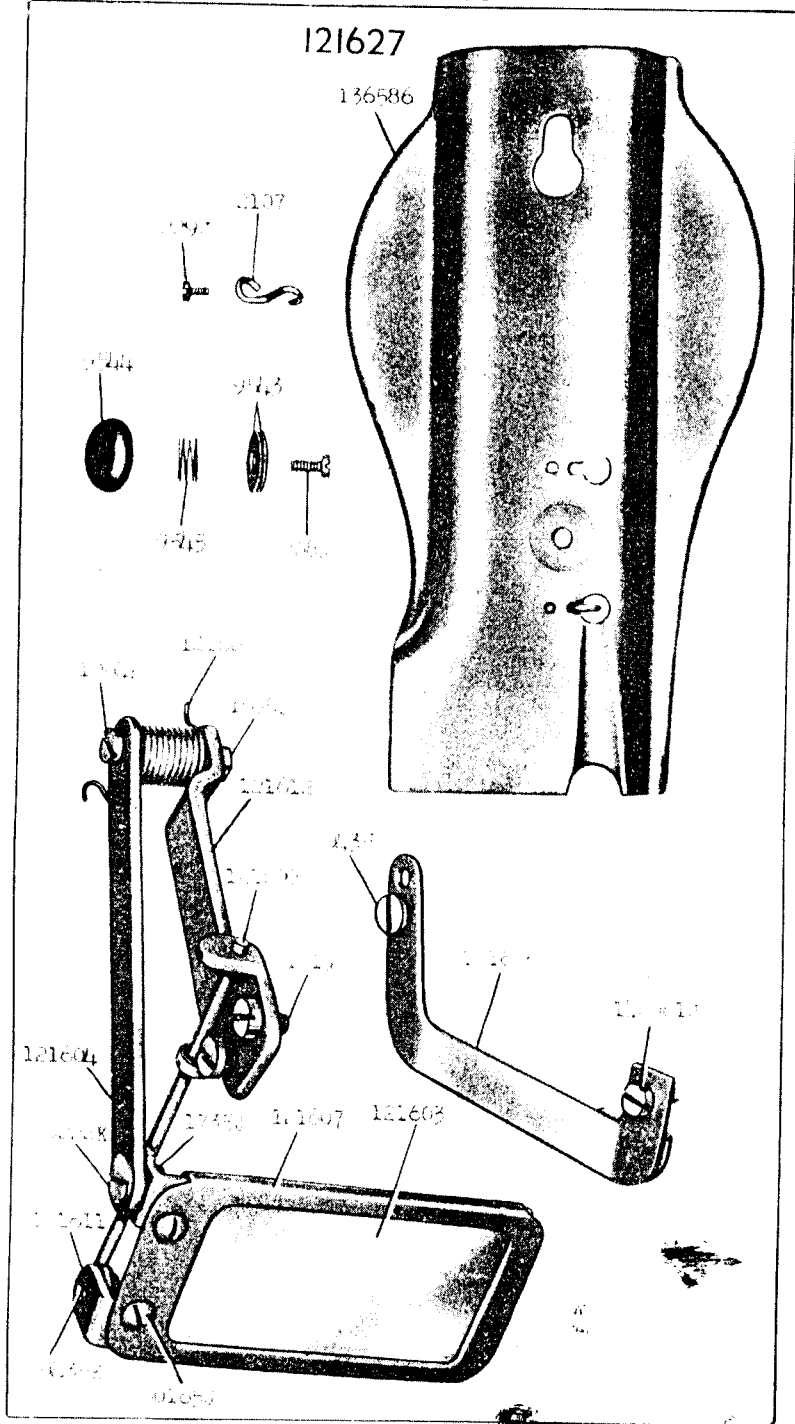
9596 - 2/3

Genuine Singer Needles should be used
in Singer Machines.
These Needles and their Containers
are marked with the
Company's Trade Mark "SIMANCO." 1

Needles in Containers marked
"For Singer Machines"
are not Singer made needles. 2

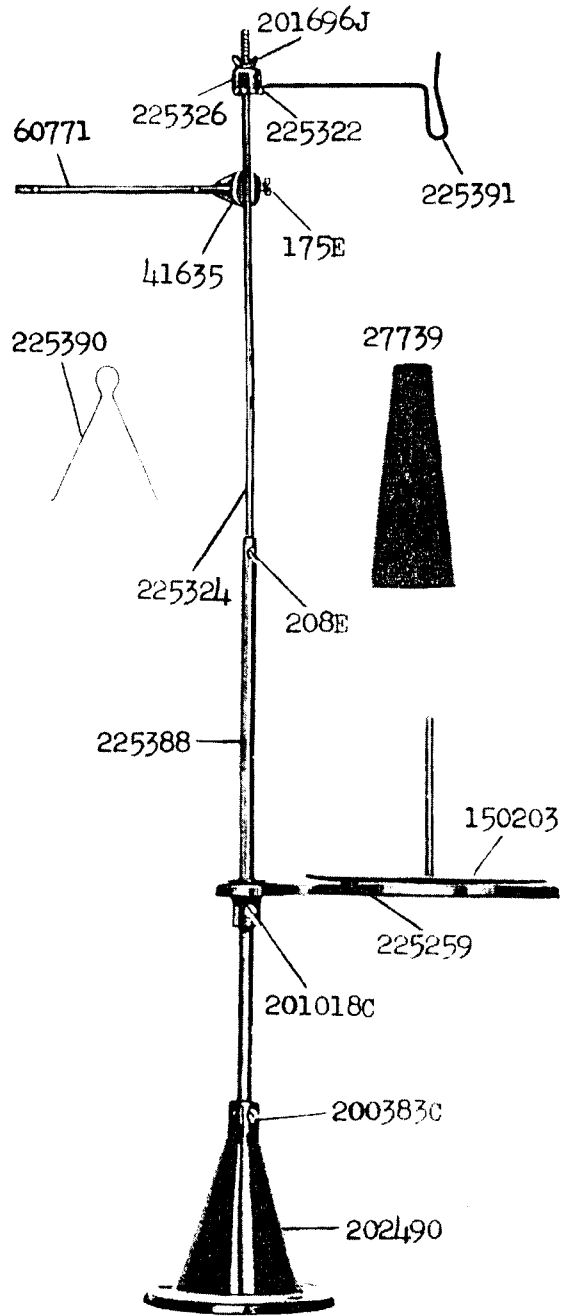




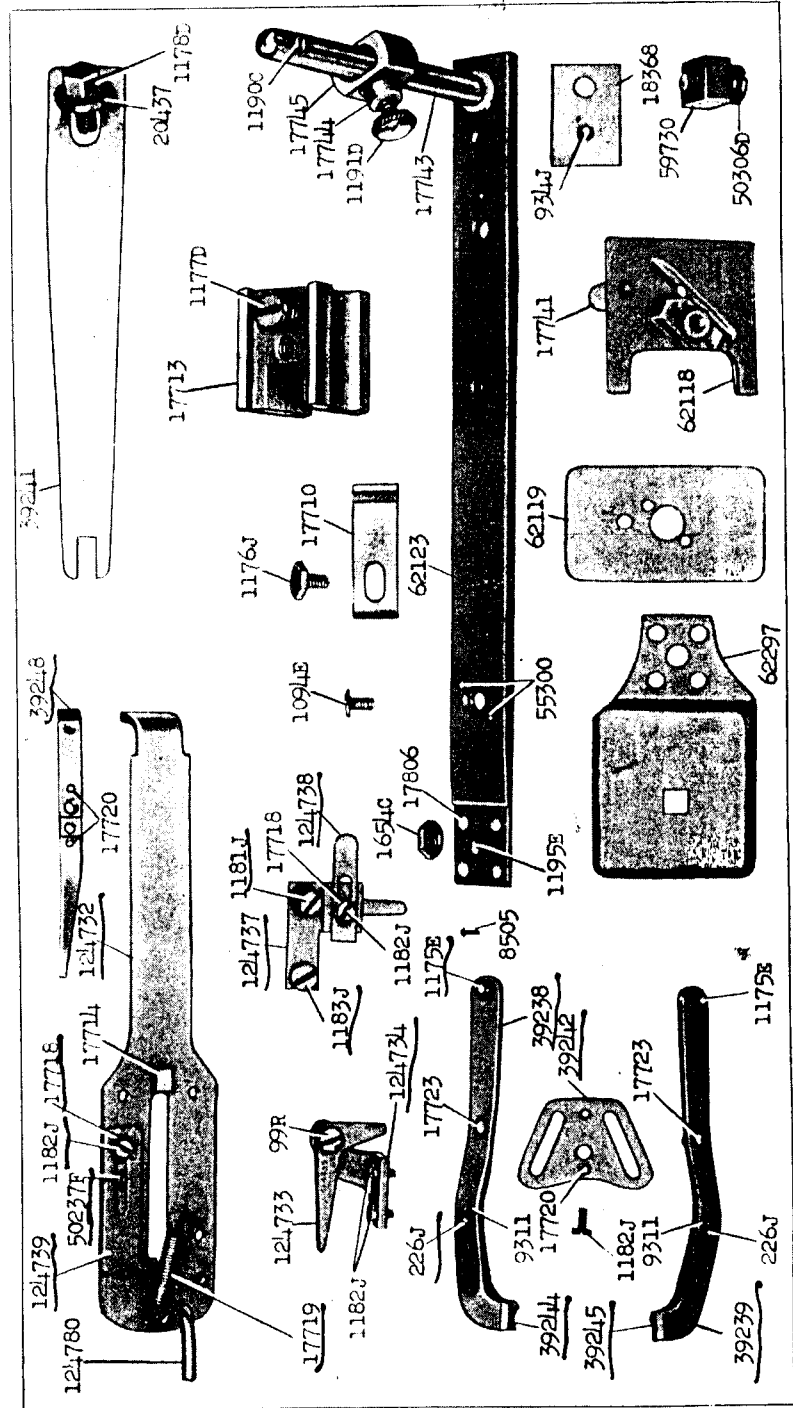


23160 - 1/4

60773

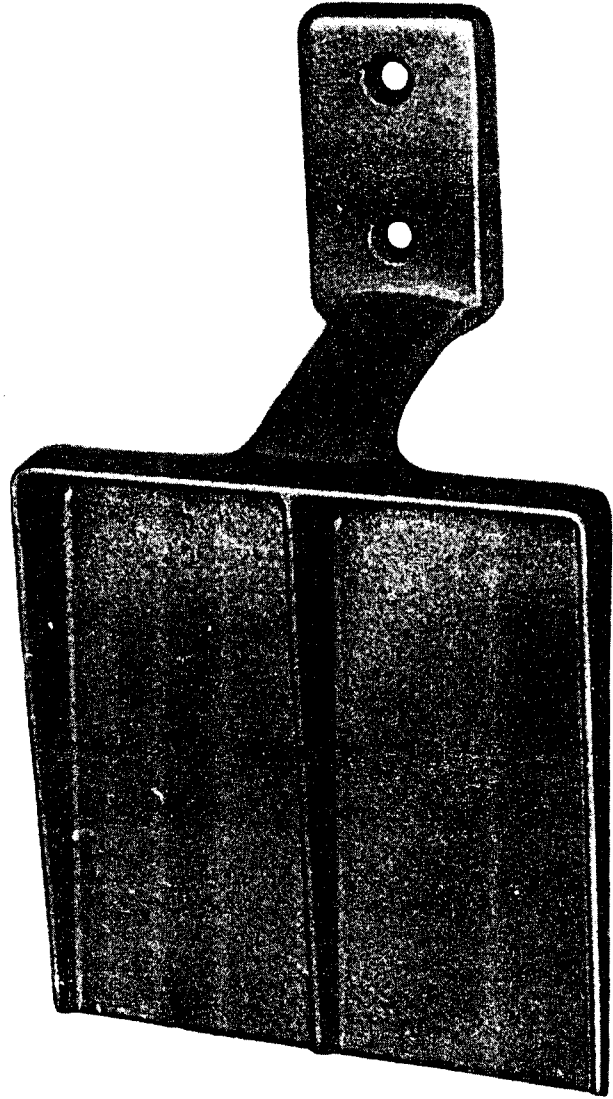


23168 - 1/2



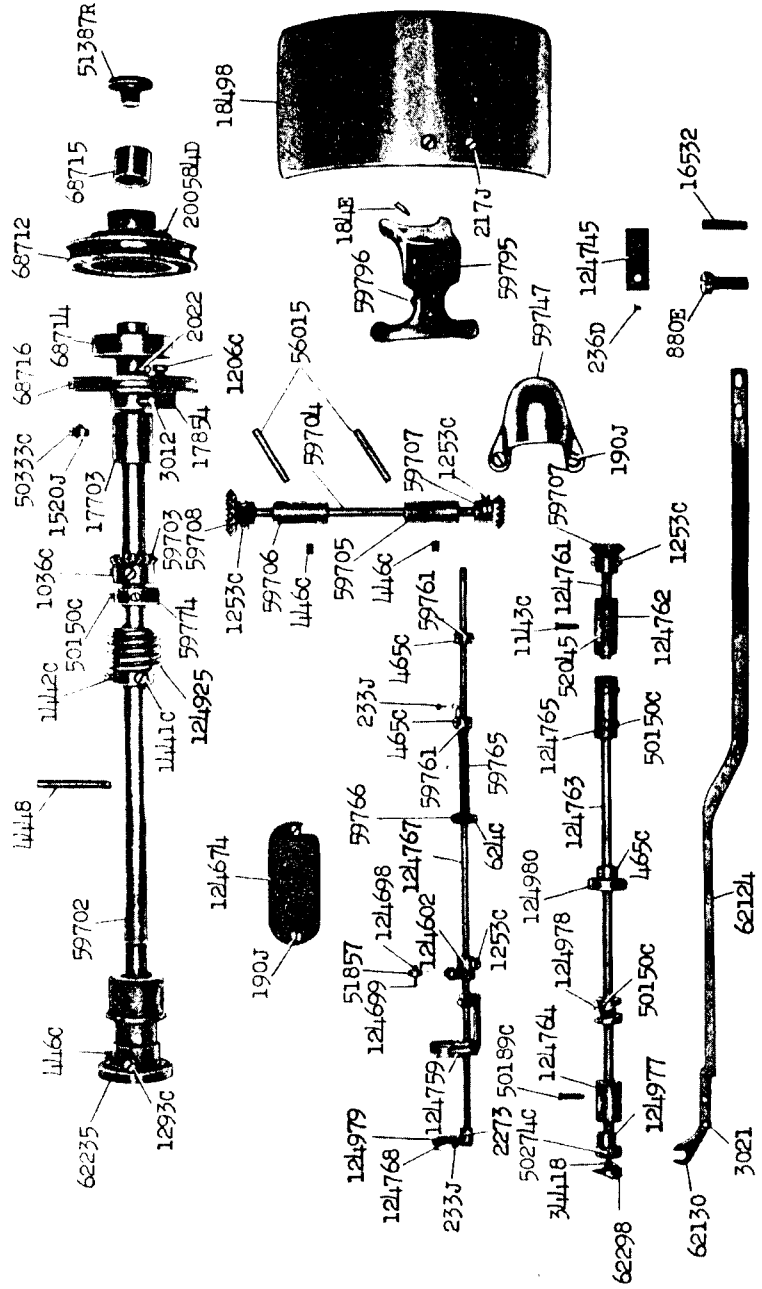
23174 - 1/2

59797



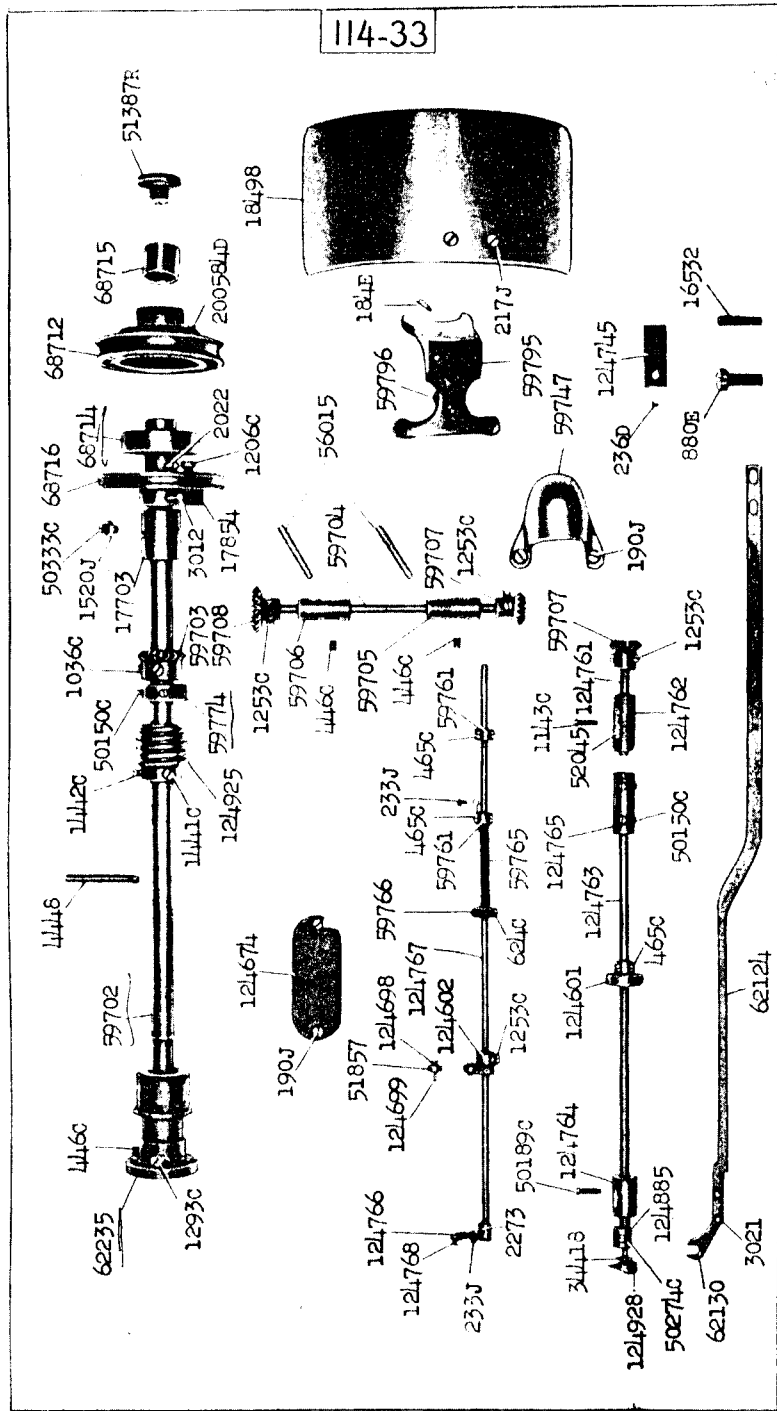
23178 - 1/4

114-32



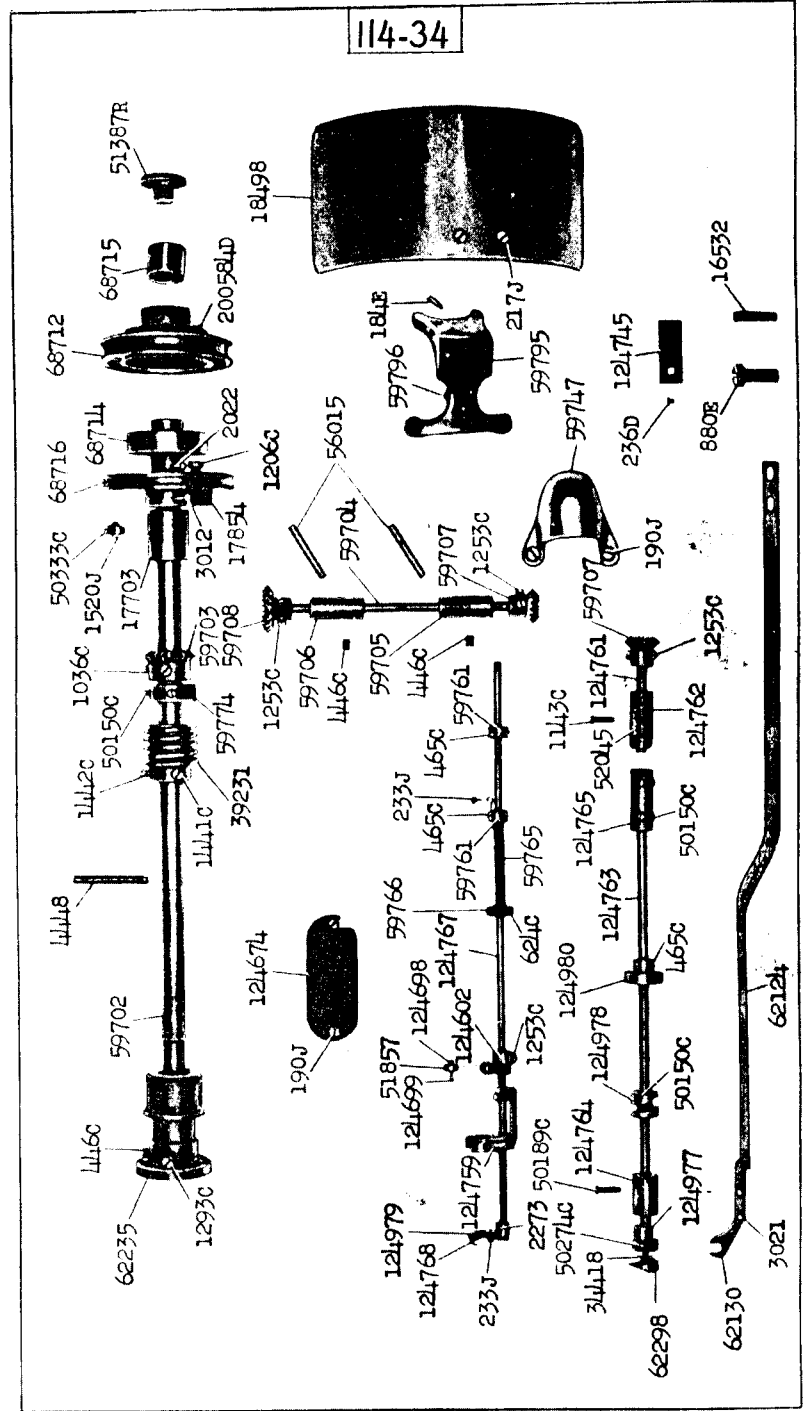
23179 - 1/4

114-33



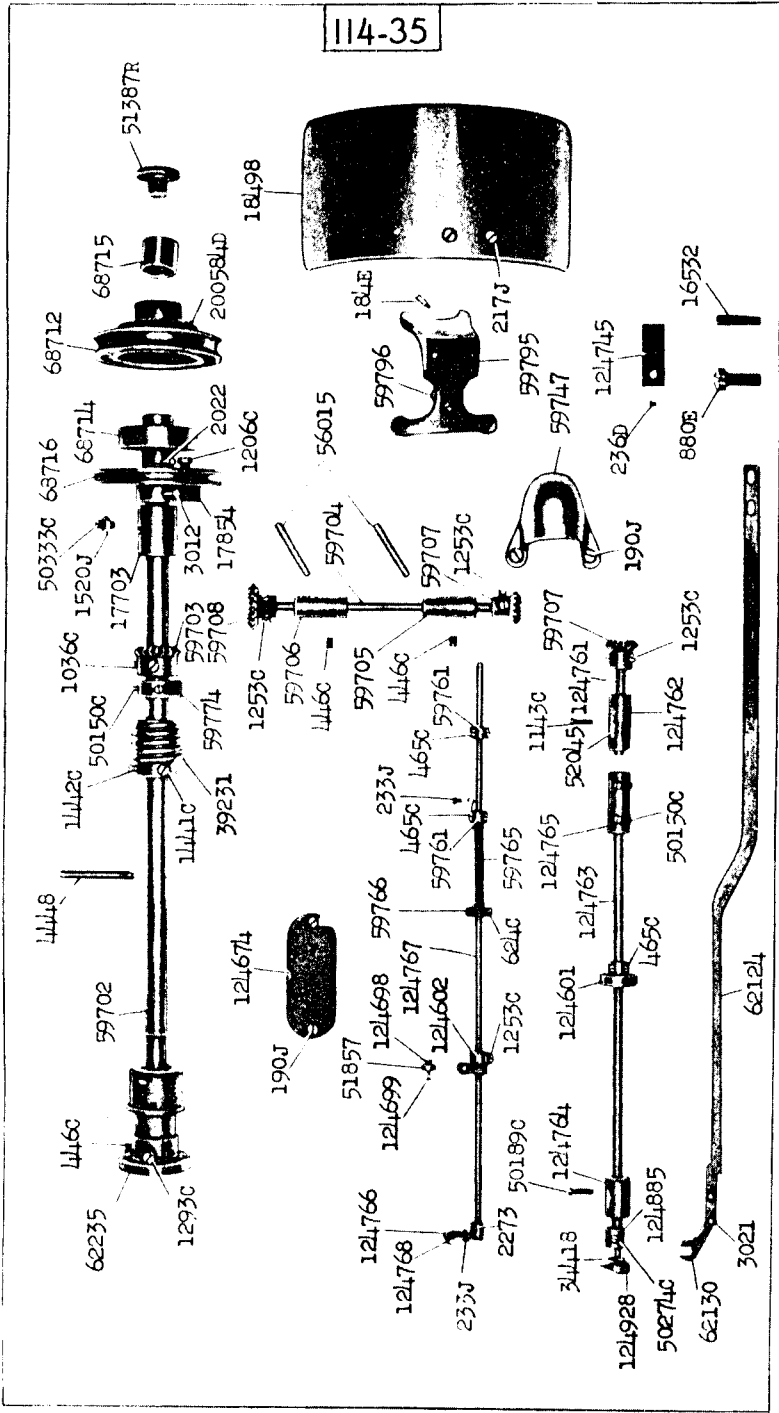
23180 - 1/4

114-34



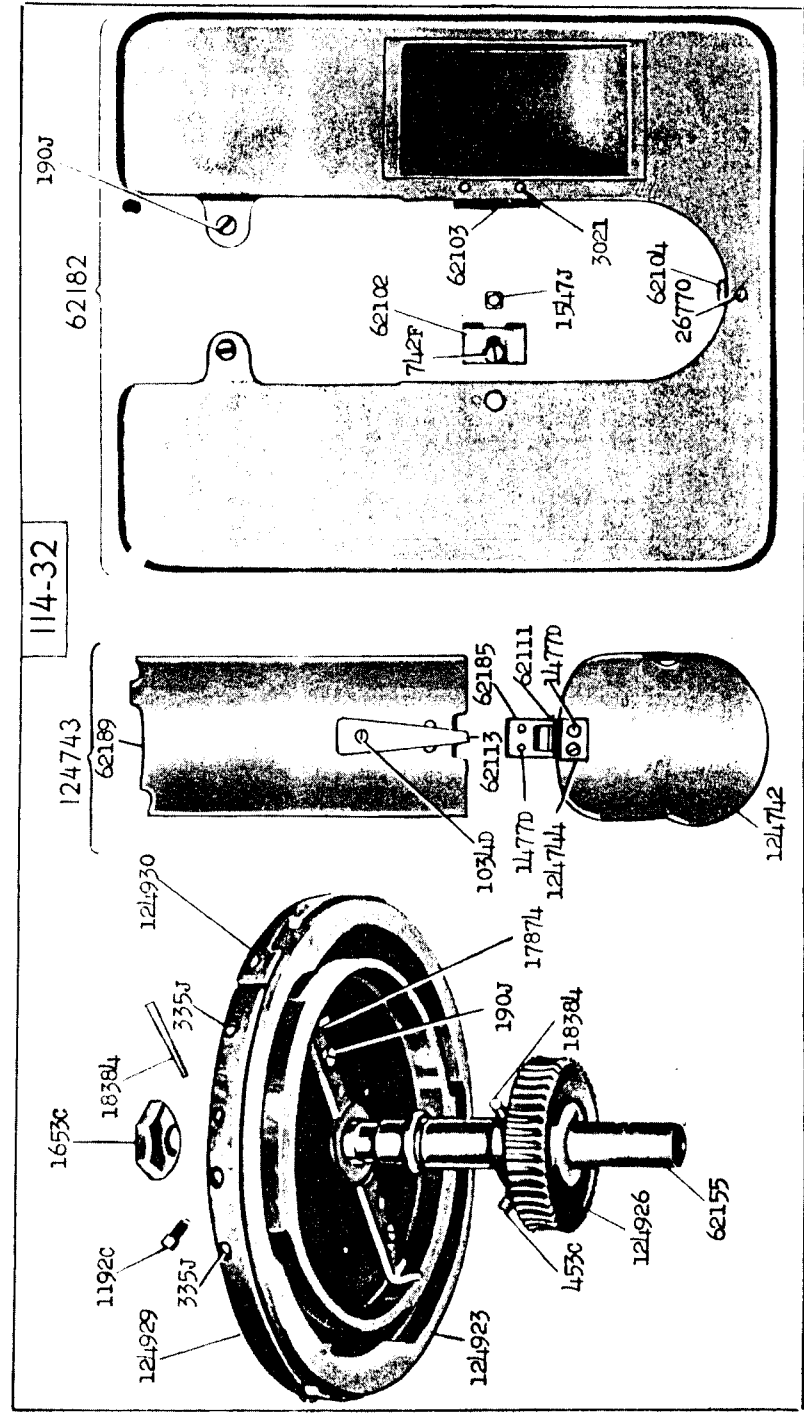
23181 - 1/4

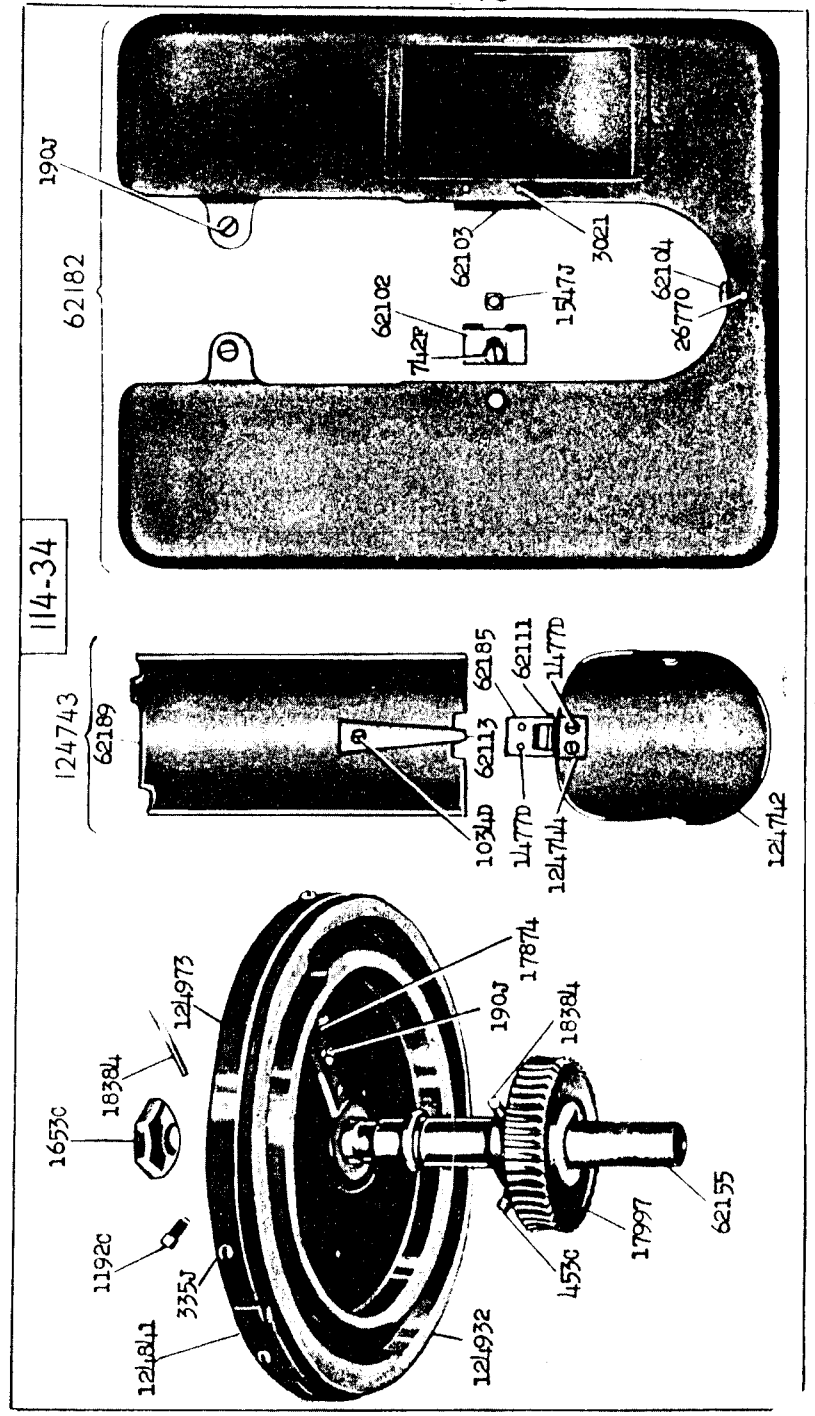
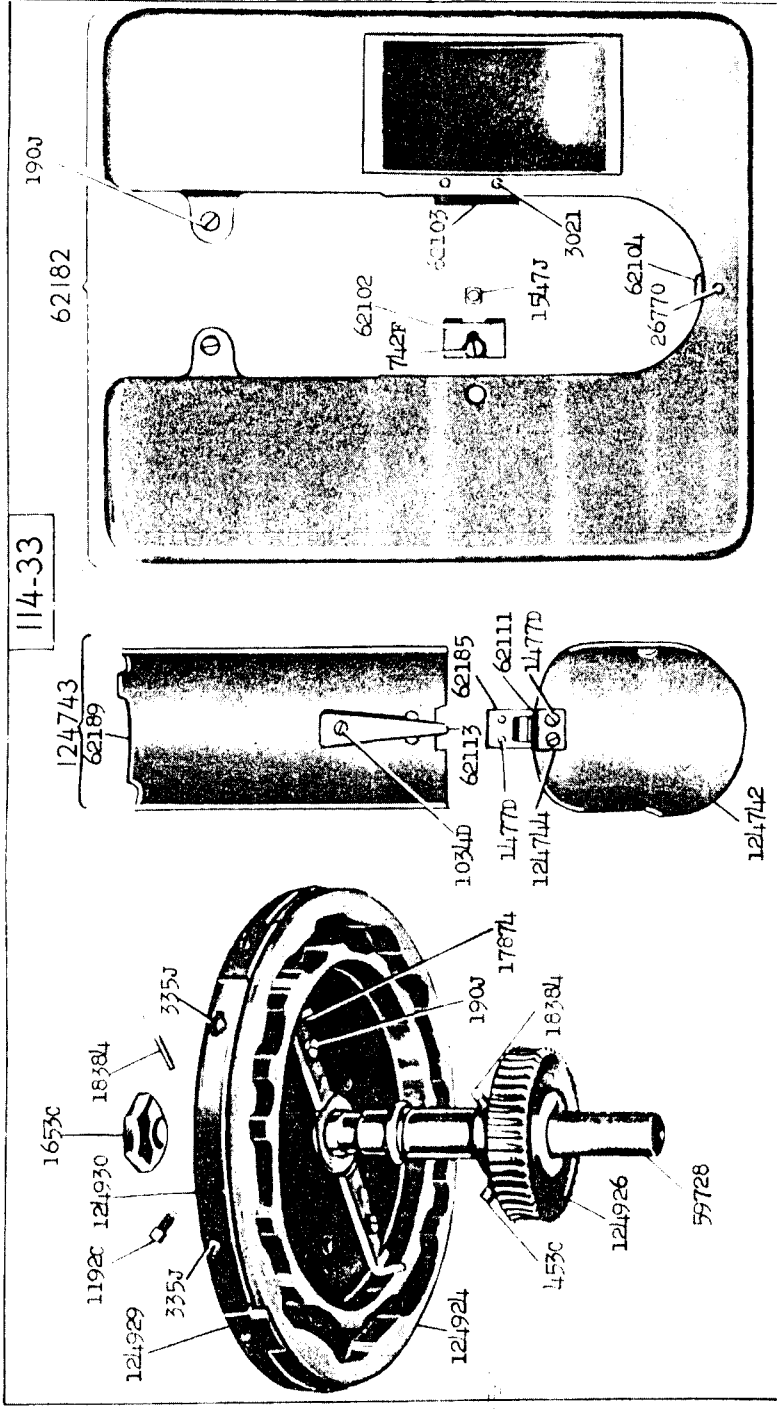
114-35



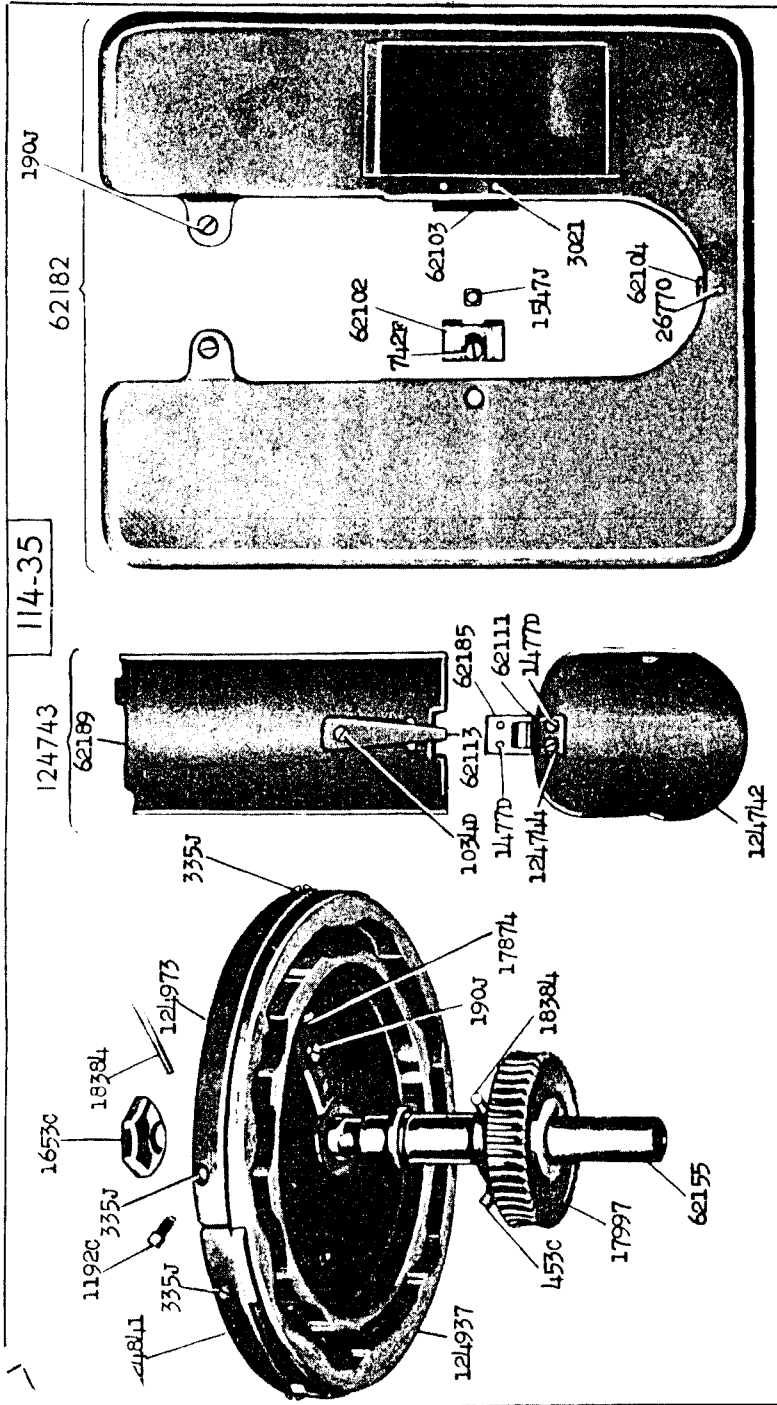
23182 - 1/3

114-32

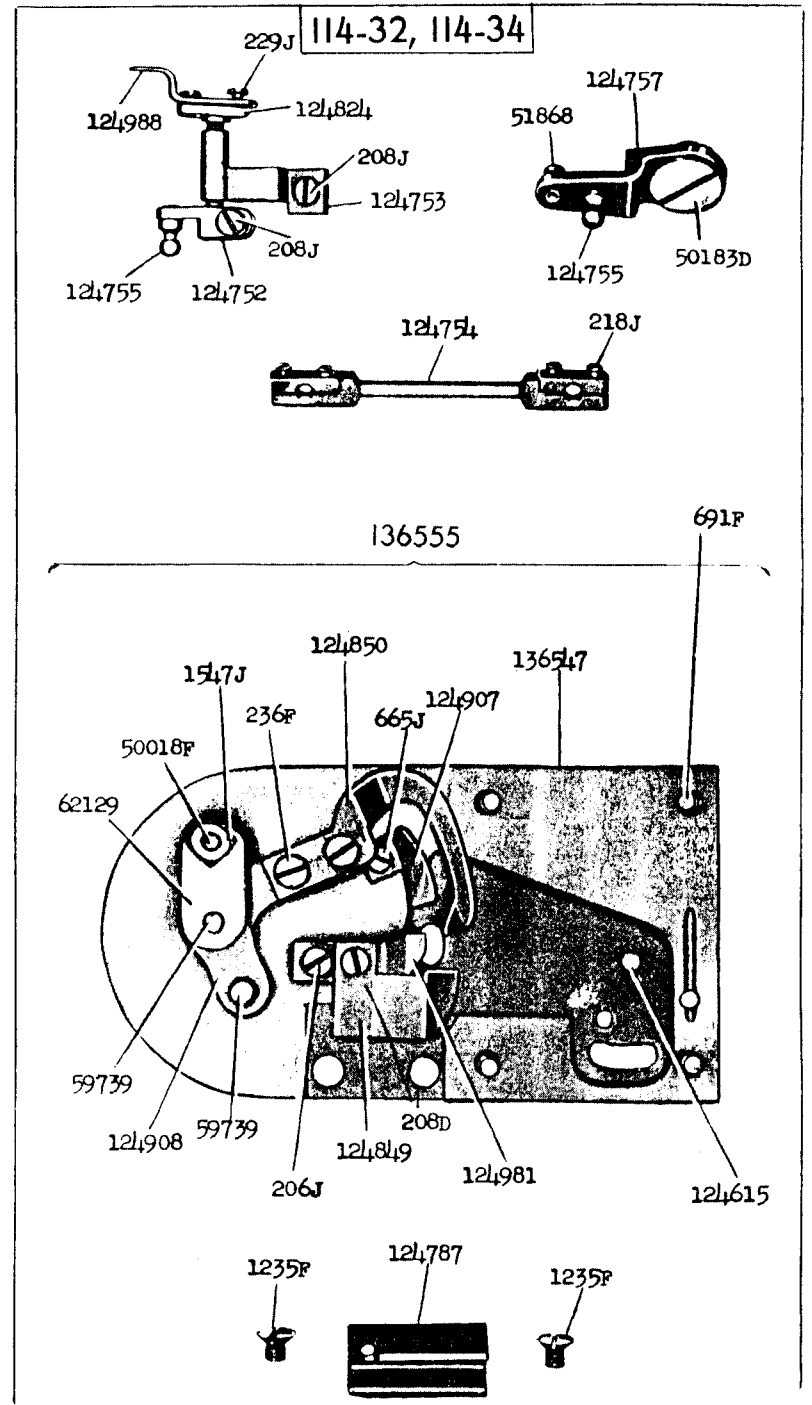




23185 - 1/3

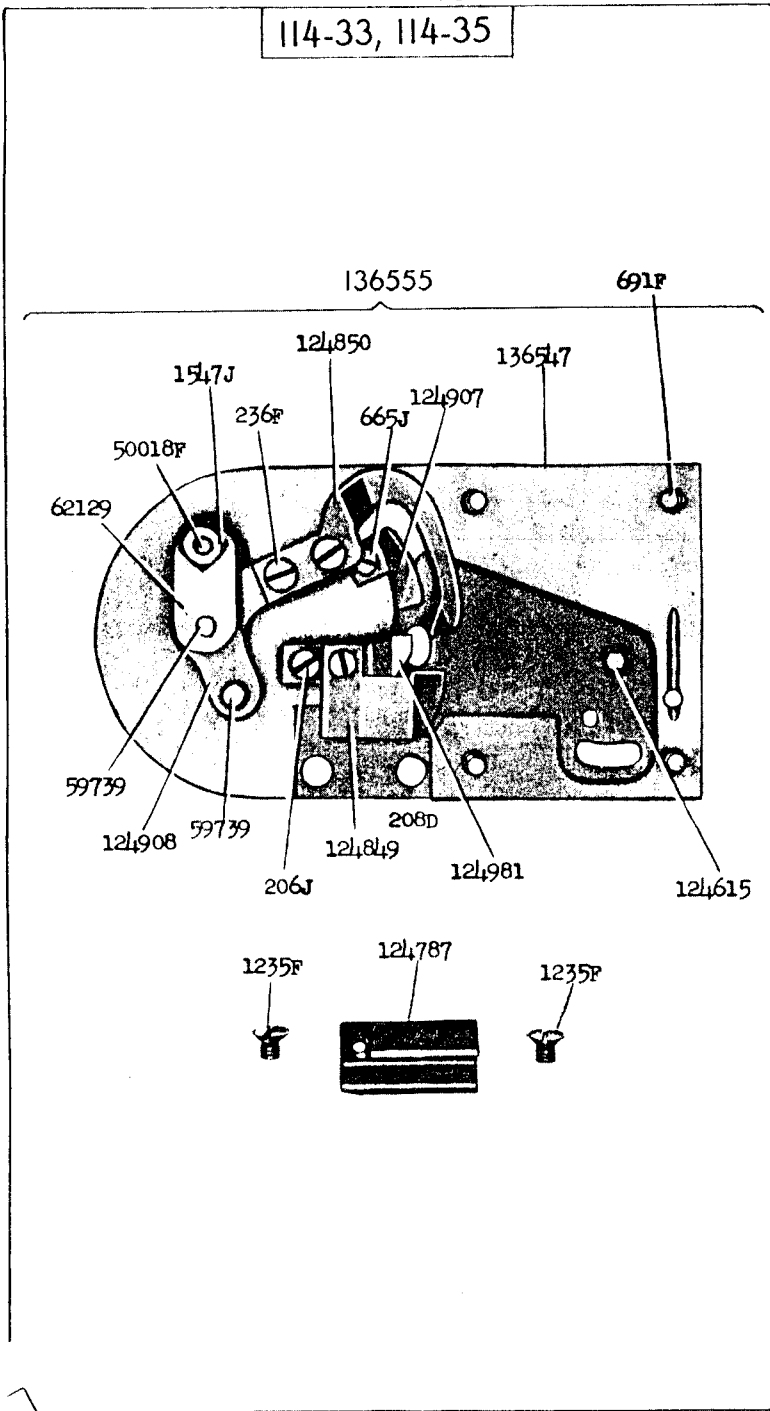


23186 - 2/3

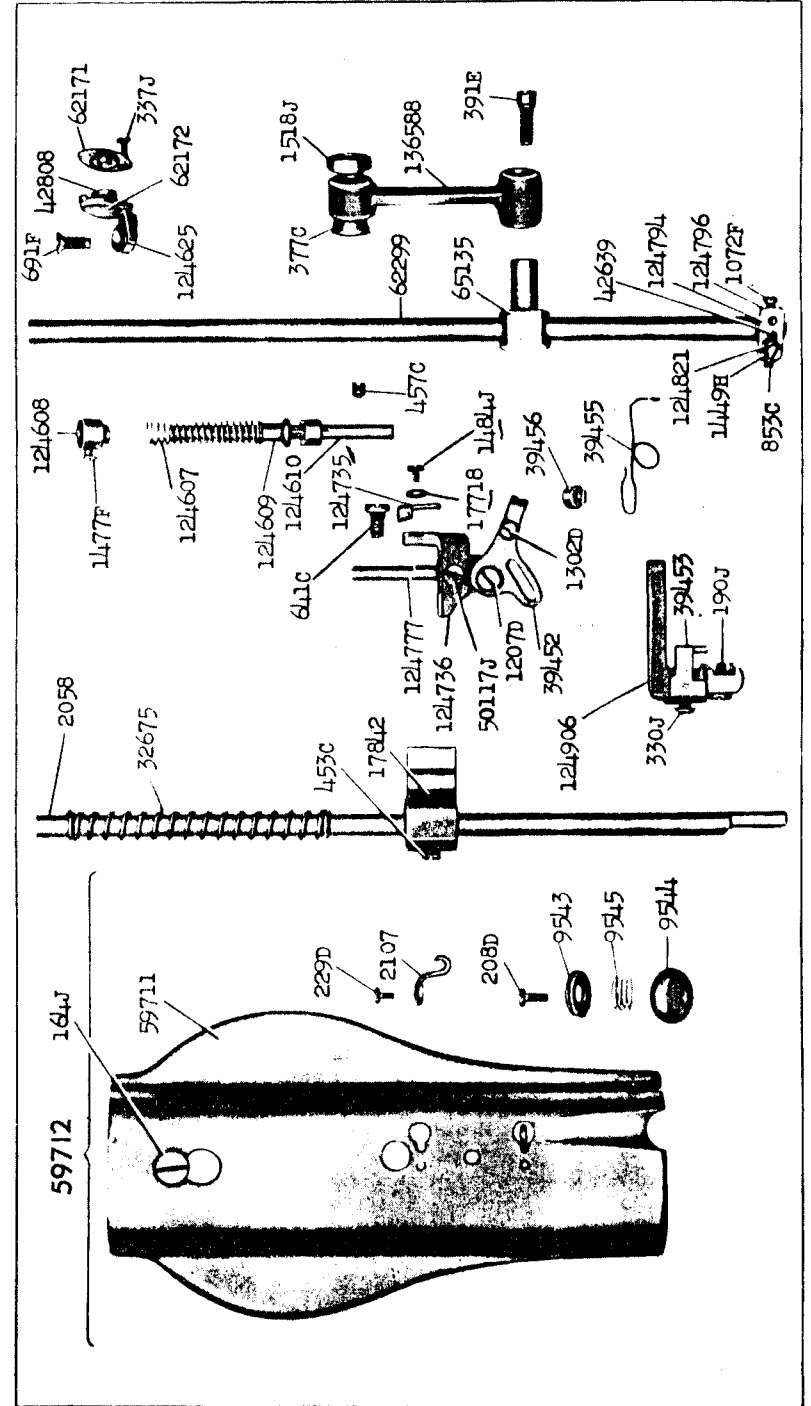


23187 - 2/3

114-33, 114-35

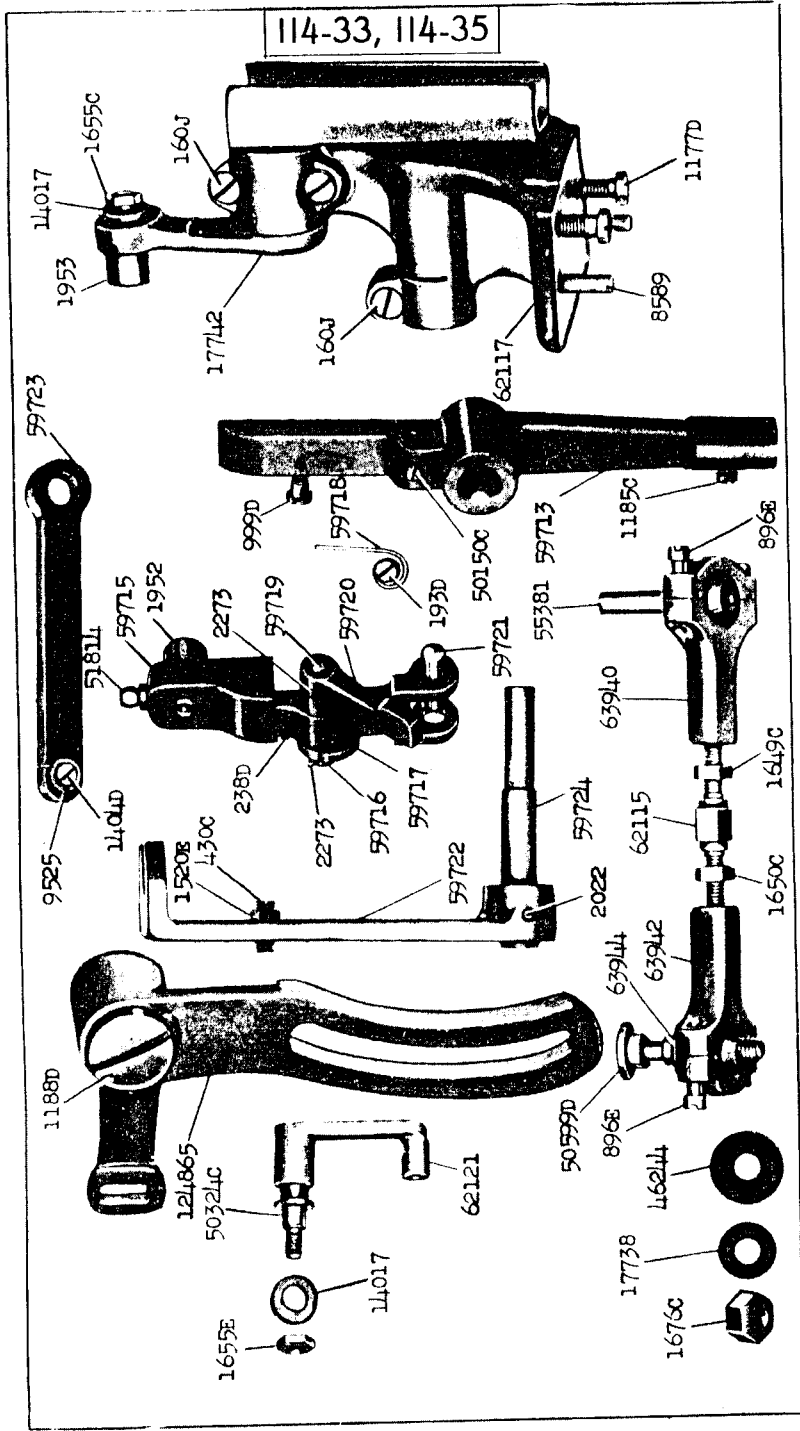


23188 - 1/2

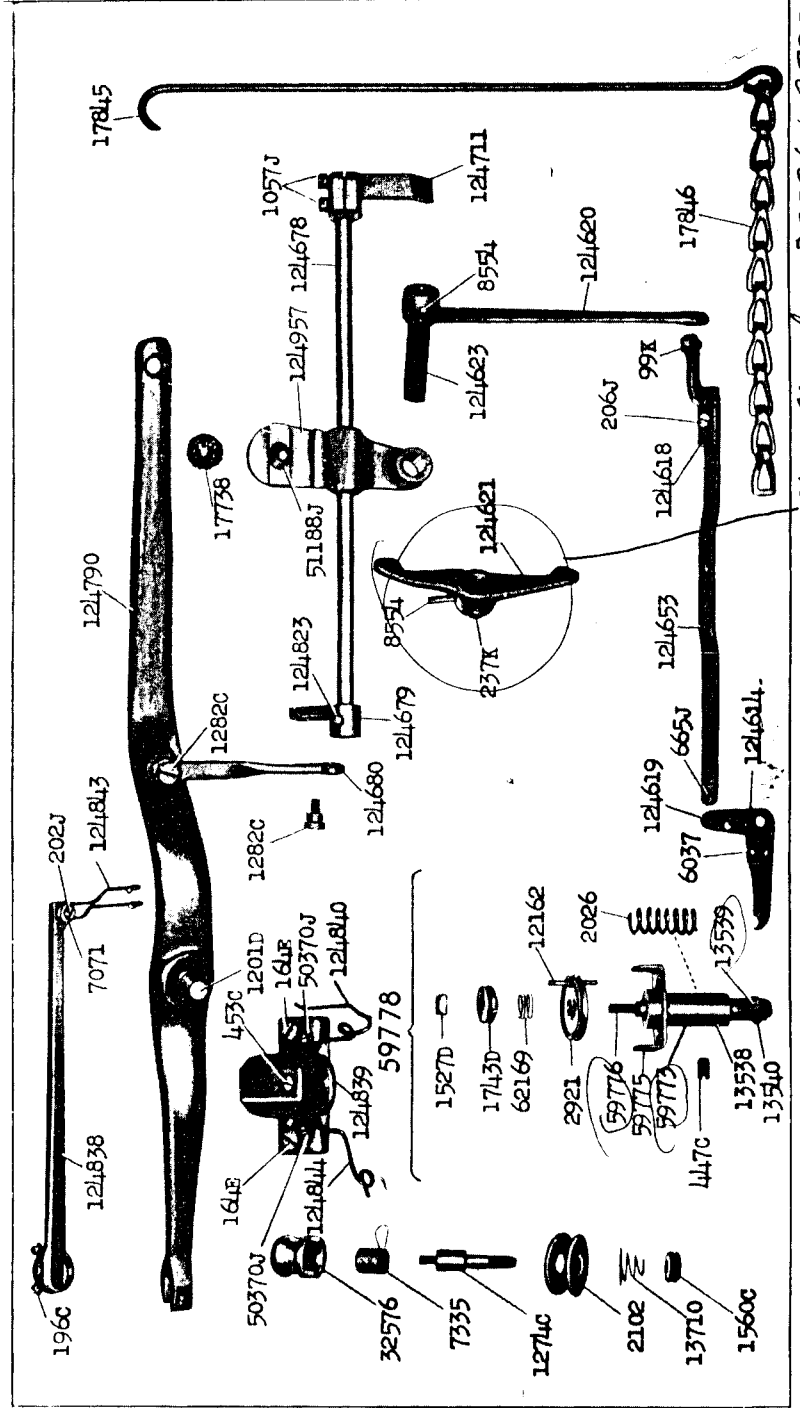


23189 - 1/2

114-33, 114-35

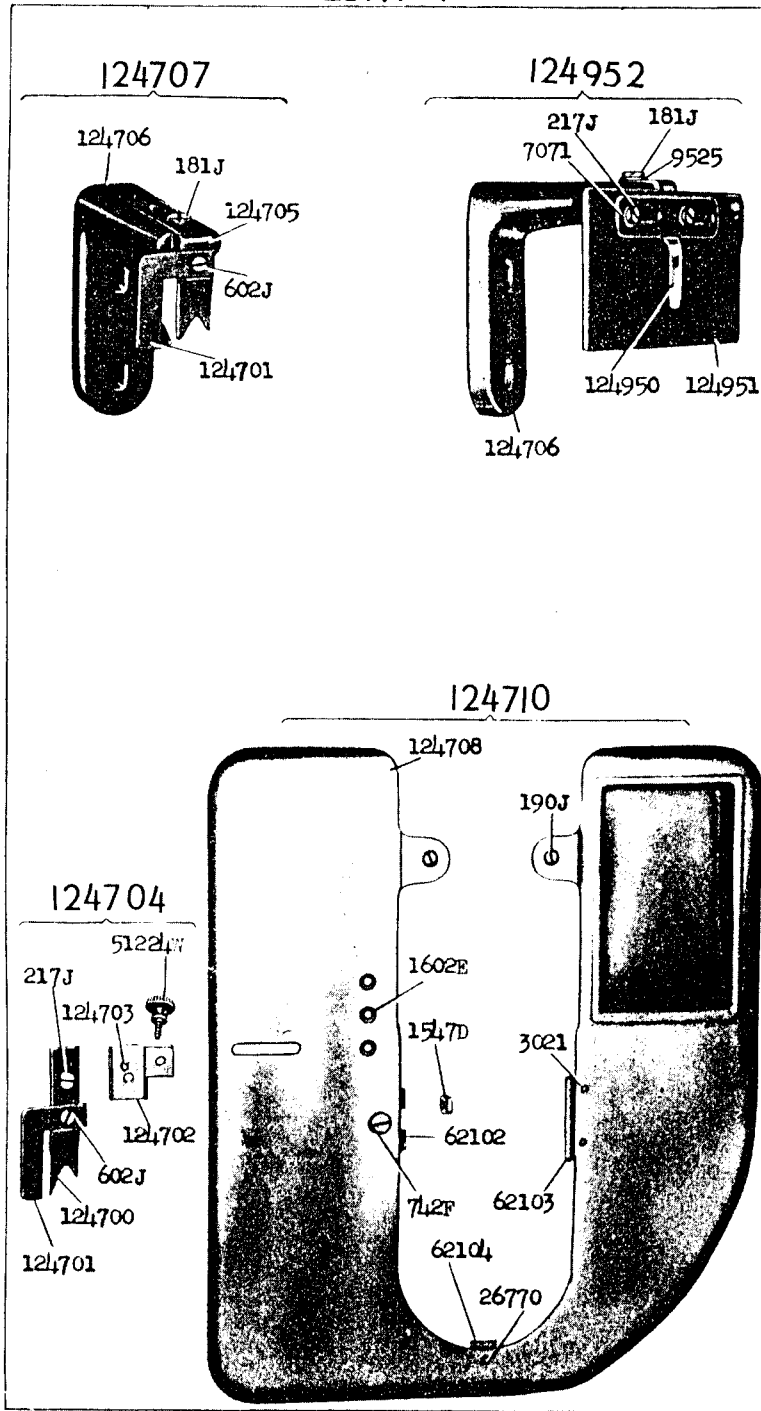


23190 - 1/3



New Number 23336 + 23337

23191 - 1/3



23192 - 1/2

