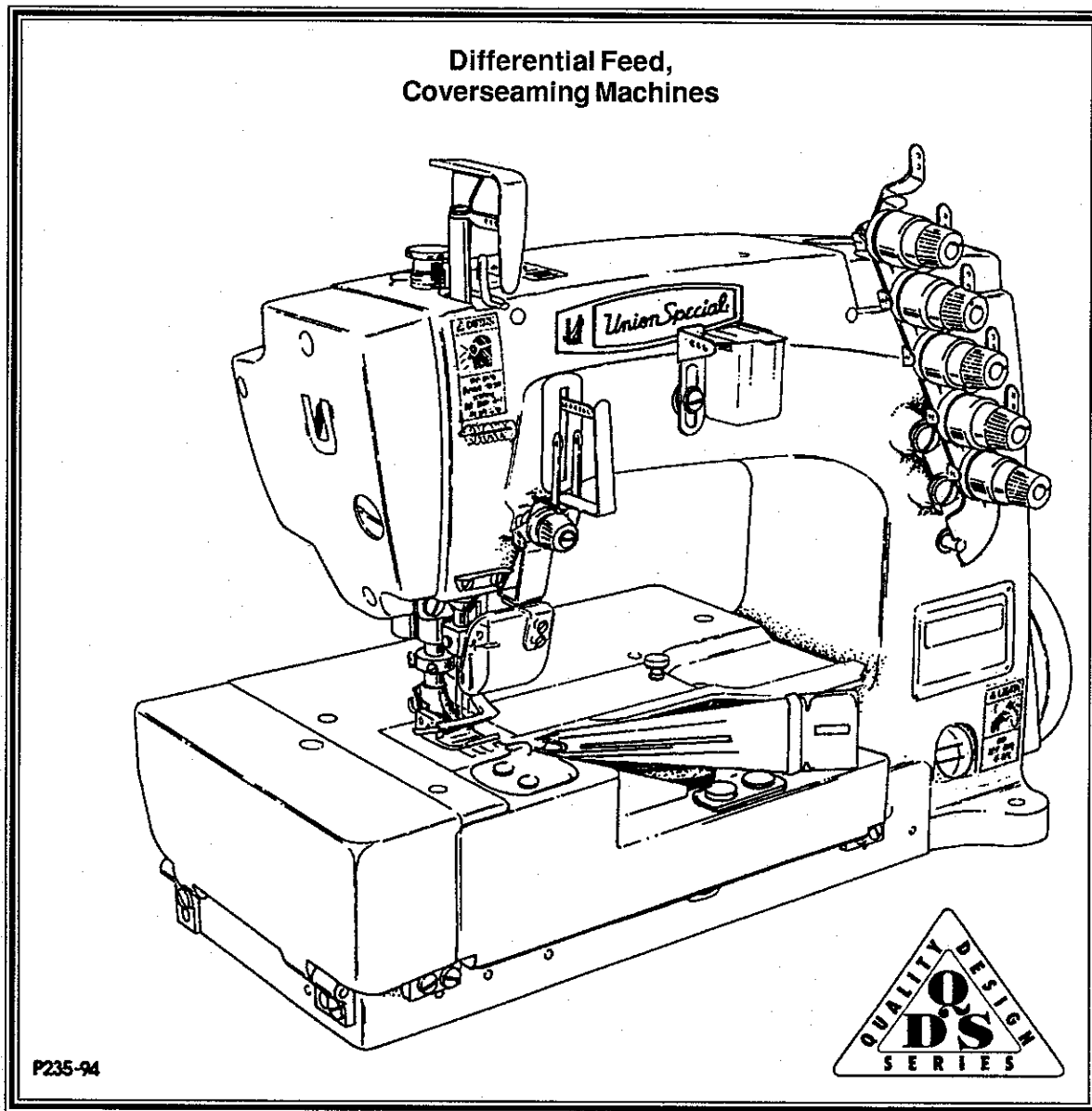


Union Special®

INDUSTRIAL SEWING EQUIPMENT

ILLUSTRATED PARTS LIST



MANUAL NO. PT9417

STYLES

FS122C200MB
FS122C203MB
FS122C209MX
FS122C209MXA
FS122C210MB
FS122C253MB
FS123C209MX
FS123C209MXA

FS132C200MV
FS132C209MV
FS132C209MVA
FS132C210MV
FS133C200MW
FS133C209MV
FS133C209MVA

Manual No. PT9417 Illustrated Parts List for FS100 Series Machines

Fifth Edition Copyright 1994
By
Union Special Corporation Rights Reserved In All Countries
Printed in U.S.A. October 1994

PREFACE

This parts manual has been prepared to assist you in locating individual parts or assemblies on FS100 Series machines. It can be used in conjunction with Union Special Adjusting Manual IN9302.

It is the desire of Union Special that each machine run at its optimum performance. Parts listed in this manual are designed specifically for your machine and are manufactured with utmost precision to assure long lasting service.

This manual has been comprised on the basis of available information. Changes in design and/or improvements may incorporate a slight modification of configuration in illustrations or part numbers.

On the following pages are illustrations and terminology used in describing the parts used on FS100 Series machines.

INSTRUCTIONS

SAFETY RULES

The sewing machines described in this instruction manual are prohibited from being put into service until it has been ascertained that the sewing units, in which these sewing machines will be built-in have conformed with the EC Council Directives (89/392/EEC, Annex II B).

1. Before putting the machines described in this manual into service, carefully read the instructions. The starting of each machine is only permitted after taking notice of the instructions and by qualified operators.

IMPORTANT! Before putting the machine into service, also read the safety rules and instruction from the motor supplier.

2. Observe the national safety rules valid for your country.
3. Each machine is only allowed to be used as foreseen. The foreseen use of the particular machine is described in paragraph "STYLES OF MACHINES" of this instruction manual. Another use, going beyond the description, is not as foreseen.
4. All safety devices must be in position when the machine is ready for work or in operation. Operation of the machine without the appertaining safety devices is prohibited.
5. Wear safety glasses.
6. In case of machine conversions and changes all valid safety rules must be considered. Conversions and changes are made at your own risk.
7. The warning hints in the instructions are marked with one of these two symbols:



8. For the following the machine has to be disconnected from the power supply by turning off the main switch or by pulling out the main plug:
 - 8.1 For threading needle(s), looper, spreader etc.
 - 8.2 For replacing sewing parts such as needle, presser foot, throat plate, looper, spreader, feed dog, needle guard, folder, fabric guide etc.
 - 8.3 When leaving the workplace and when the workplace is unattended.
 - 8.4 For maintenance work.
 - 8.5 When using clutch motors without actuation lock, wait until the motor is stopped totally.
9. Maintenance, repair and conversion work (see item 8) must be done only by trained technicians or special skilled personnel under consideration of the instructions.
10. Any work on the electrical equipment must be done by an electrician or under direction and supervision of special skilled personnel.
11. Work on parts and equipment under electrical tension is not permitted. Permissible exceptions are described in the applicable sections of standard sheet DIN VDE 0105.
12. Before doing maintenance and repair work on the pneumatic equipment, the machine has to be disconnected from the compressed air supply. In case of existing residual air pressure after disconnecting from compressed air supply (e.g. pneumatic equipment with air tank), the pressure has to be removed by bleeding.
- * Exceptions are only allowed for adjusting work and function checks done by special skilled personnel.

CAUTION AREAS


CAUTION



P257-94

WEAR SAFETY GLASSES, DO NOT TAMPER WITH SAFETY SHIELD. USE WITHOUT SHIELD MAY CAUSE INJURY.

CAUTION

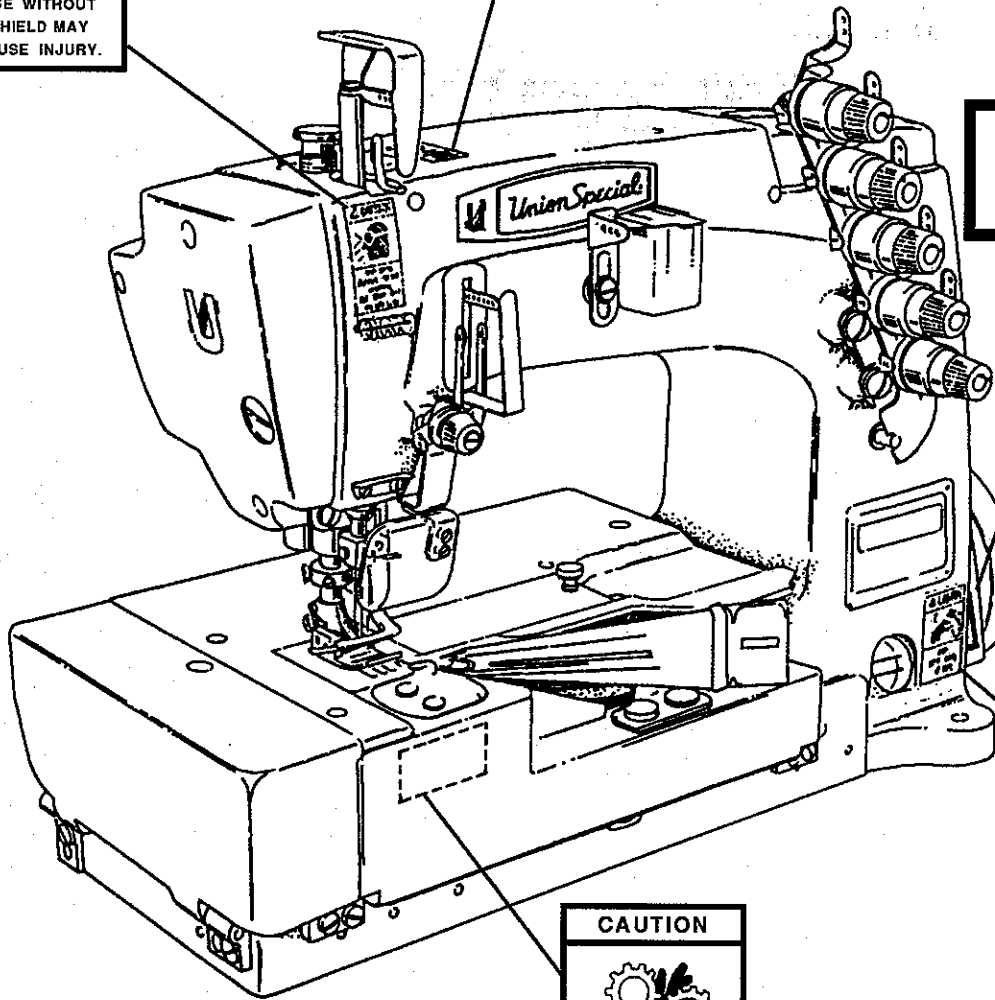


P258-94

KEEP NEEDLE BAR GUARD IN PLACE

CAUTION

DO NOT OPERATE MACHINE WITHOUT THIS BELT GUARD IN PLACE




CAUTION



P256-94

KEEP BELT GUARD IN PLACE

CAUTION



P255-94

KEEP COVER CLOSED DURING OPERATION

P250-94

CONTENTS

•IDENTIFICATION OF MACHINES	6
•CLASS DESCRIPTION	6
•MACHINE STYLES	6
•MACHINE STYLES (CONT.)	7
•NEEDLES	8
•TERMS	8
•ILLUSTRATIONS	8
•IDENTIFYING PARTS	9
•NOTES	10
EXPLODED VIEWS	
•MAIN FRAME, CAST-OFF PLATE & MISCELLANEOUS COVERS	13
•MAIN FRAME, CAST-OFF PLATE & MISCELLANEOUS COVERS (CONT.)	15
•MAIN FRAME, BUSHINGS, OIL SIGHT GAUGE & MISCELLANEOUS OILING PARTS (ALL GAUGES)	17
•CRANKSHAFT, NEEDLE LEVER, NEEDLE BAR & LOOPER DRIVING PARTS	19
•CRANKSHAFT, NEEDLE LEVER, NEEDLE BAR & LOOPER DRIVING PARTS (CONT.)	21
•SPREADER & SPREADER DRIVE FOR STYLES: FS123C209MXA, FS132C200MV, FS132C209MV, FS132C209MVA, FS132C210MV, FS133C200MW, FS133C209MV, FS133C209MVA (ALL GAUGES)	23
•SPREADER & SPREADER DRIVE (CONT.) FOR STYLES: FS123C209MXA, FS132C200MV, FS132C209MV, FS132C209MVA, FS132C210MV, FS133C200MW, FS133C209MV, FS133C209MVA (ALL GAUGES)	25
•LOOPER ROCKER & CONNECTING ROD PARTS (ALL GAUGES)	27
•MAIN & DIFFERENTIAL FEED MECHANISMS (ALL GAUGES)	29
•MAIN & DIFFERENTIAL FEED MECHANISMS (CONT.)	31
•LIFTER LEVER PARTS (ALL GAUGES)	33
•THREAD TENSION	35
•COVERS & MISCELLANEOUS PARTS (ALL GAUGES)	37
•COVERS & MISCELLANEOUS PARTS (CONT.) (ALL GAUGES)	39
•FAST ACTION TAPE CUTTER, THROAT PLATE SUPPORT & COVERS FOR STYLES: FS122C209MX, FS122C209MXA, FS123C209MX, FS123C209MXA, FS132C209MV, FS132C209MVA, FS133C209MV, FS133C209MVA (ALL GAUGES)	41
•PRESSER FOOT, THROAT PLATE & FEED DOG PARTS	43
•PRESSER FOOT, THROAT PLATE & FEED DOG PARTS (CONT.)	45
•PRESSER FOOT, THROAT PLATE & FEED DOG PARTS (CONT.)	47
•STEPPER MOTOR METERING DEVICE & SYNCHRONIZER KIT FOR STYLE: FS122C253MB (ALL GAUGES)	49
•PNEUMATIC KNEE ACTUATOR & REGULATOR FOR STYLES: FS122C210MB (ALL GAUGES)	51
•MANUAL TAPE CUTTER ASSEMBLY FOR STYLES: FS122C203MB, FS122C253MB (ALL GAUGES)	53
•PNEUMATIC TAPE CUTTER ASSEMBLY FOR STYLES: FS122C210MB, FS132C210MV (ALL GAUGES)	55
•KNEE PRESS AND CONTROL BOX FOR STYLES: FS122C209MX, FS132C209MV, (ALL GAUGES), FS123C209MX, FS133C209MV, (.060 GAUGE)	57
•THREAD STAND & MISCELLANEOUS ACCESSORIES (ALL GAUGES)	59
•TAPE REEL ASSEMBLIES	60
•NOTES	61
•NUMERICAL INDEX OF PARTS	62
•NUMERICAL INDEX OF PARTS	63
•NOTES	64
•NOTES	65

IDENTIFICATION OF MACHINES

Each Union Special machine carries a style number, which on this class machine is stamped in the style plate affixed to the right front of the machine.

The serial number is stamped in the casting at the right rear base of machine.

CLASS DESCRIPTION

Advanced high speed, medium duty, flat bed machine. Two and three needle, one looper, one spreader (on designated styles), offset or tandem top adjusted differential feed, enclosed automatic lubricating system. Recommended needle type 121 GBS. Maximum recommended speed 5500 R.P.M. (Depending on operation). Maximum work space to right of needle bar, 8 1/4" (209.6mm).

MACHINE STYLES

- FS122C200MB** COLLARETTE: Two needle, differential feed machine, medium capacity - Typical application - For attaching flat or ribbed knit borders to the neck, arm and leg openings of knit garments and similar operations. Seam specifications 406 BSb-1. Standard Gauge Numbers 032 [1/8", 3.2mm], 040 [5/32", 4.0mm] and 044 [11/64", 4.4mm]. Maximum recommended speed 5500 R.P.M. Recommended needle 121GBS, size 080/032.
- FS122C203MB** COLLARETTE: Two needle, differential feed machine, medium capacity with manual tape cutter - Typical application - For attaching ribbed knit borders to the neck, arm and leg openings of knit garments and similar operations. Seam specifications 406 BSb-1. Standard Gauge Numbers 032 [1/8", 3.2mm], 040 [5/32", 4.0mm] and 044 [11/64", 4.4mm]. Maximum recommended speed 5500 R.P.M. Recommended needle 121GBS, size 080/032.
- FS122C209MX** COLLARETTE: Two needle, differential feed machine, medium capacity, with "Fast-Action" binding cutter, close to rear foot with knee press and control box - Typical application - For attaching ribbed knit borders to the neck, arm and leg openings of knit garments and similar operations. Seam specifications 406 BSb-1. Standard Gauge Numbers 032 [1/8", 3.2mm], 040 [5/32", 4.0mm] and 044 [11/64", 4.4mm]. Maximum recommended speed 5500 R.P.M. Recommended needle 121GBS, size 080/032.
- FS122C209MXA** COLLARETTE: Two needle, differential feed machine, medium capacity with "Fast-Action" binding cutter close to rear foot - Typical application - For attaching knit borders to the neck, arm and leg openings of knit garments and similar operations. Requires workstation number WS42800BK6A. Seam specifications 406 BSb-1. Standard Gauge Numbers 032 [1/8", 3.2mm], 040 [5/32", 4.0mm] and 044 [11/64", 4.4mm]. Maximum recommended speed 5500 R.P.M. Recommended needle 121GBS, size 080/032.
- FS122C210MB** COLLARETTE: Two needle, differential feed machine, medium capacity with pneumatic tape cutter - Typical application - For attaching ribbed knit borders to the neck, arm and leg openings of knit garments and similar operations. Seam specifications 406 BSb-1. Standard Gauge Numbers 032 [1/8", 3.2mm], 040 [5/32", 4.0mm] and 044 [11/64", 4.4mm]. Maximum recommended speed 5500 R.P.M. Recommended needle 121GBS, size 080/032.
- FS122C253MB** COLLARETTE: Two needle, differential feed machine, medium capacity with lower elastic metering device and manual tape cutter - Typical application - For inserting elastic and attaching flat or ribbed knit split-tube borders to the leg openings of men's knit briefs and similar operations. Seam specifications 406 BSb-1. Standard Gauge Numbers 032 [1/8", 3.2mm], 040 [5/32", 4.0mm] and 044 [11/64", 4.4mm]. Maximum recommended speed 5500 R.P.M. Recommended needle 121GBS, size 080/032.
- FS123C209MX** COLLARETTE: Three needle, differential feed machine, medium capacity with "Fast-Action" binding cutter, close to rear foot - Typical application - For attaching ribbed knit borders to the neck, arm and leg openings of knit garments and similar operations. Seam specifications 407 BSb-1. Standard Gauge Number 060 [15/64", 6.0mm]. Maximum recommended speed 5500 R.P.M. Recommended needle 121GBS, size 080/032.

MACHINE STYLES (CONT.)

- FS123C209MXA** COLLARETTE: Three needle, differential feed machine, medium capacity with "Fast-Action" binding cutter, close to rear foot - Typical application - For attaching ribbed knit borders to the neck, arm and leg openings of knit garments and similar operations. Requires workstation number WS42800BK6A. Seam specifications 407 BSb-1. Standard Gauge Number 060 [15/64", 6.0mm]. Maximum recommended speed 5500 R.P.M. Recommended needle 121GBS, size 080/032.
- FS132C200MV** COLLARETTE: Two needle, differential feed, top cover thread machine, medium capacity - Typical application - For attaching ribbed knit borders to the neck, arm and leg openings of knit garments and similar operations. Seam specifications 602 BSb-1. Standard Gauge Numbers 032 [1/8", 3.2mm], 040 [5/32", 4.0mm] and 044 [11/64", 4.4mm]. Maximum recommended speed 5500 R.P.M. Recommended needle 121GBS, size 080/032.
- FS132C209MV** COLLARETTE: Two needle, differential feed, top cover thread machine, medium capacity with "Fast-Action" binding cutter close to rear foot with knee press and control box - Typical application - For attaching ribbed knit borders to the neck, arm and leg openings of knit garments and similar operations. Seam specifications 602 BSb-1. Standard Gauge Numbers 032 [1/8", 3.2mm], 040 [5/32", 4.0mm] and 044 [11/64", 4.4mm]. Maximum recommended speed 5500 R.P.M. Recommended needle 121GBS, size 080/032.
- FS132C209MVA** COLLARETTE: Two needle, differential feed, top cover thread machine, medium capacity with "Fast-Action" binding cutter close to rear foot - Typical application - For attaching ribbed knit borders to the neck, arm and leg openings of knit garments and similar operations. Requires workstation number WS42800BK6A. Seam specifications 602 BSb-1. Standard Gauge Numbers 032 [1/8", 3.2mm], 040 [5/32", 4.0mm] and 044 [11/64", 4.4mm]. Maximum recommended speed 5500 R.P.M. Recommended needle 121GBS, size 080/032.
- FS132C210MV** COLLARETTE: Two needle, differential feed, top cover thread machine, medium capacity with pneumatic tape cutter - Typical application - For attaching ribbed knit borders to the neck, arm and leg openings of knit garments and similar operations. Seam specifications 602 BSb-1. Standard Gauge Numbers 032 [1/8", 3.2mm], 040 [5/32", 4.0mm] and 044 [11/64", 4.4mm]. Maximum recommended speed 5500 R.P.M. Recommended needle 121GBS, size 080/032.
- FS133C200MW** COLLARETTE: Three needle, differential feed, top cover thread machine, medium capacity - Typical application - For attaching flat or ribbed knit split-tube borders to the leg openings on boy's knit briefs. Seam specifications 605 BSb-1. Standard Gauge Number 060 [15/64", 6.0mm]. Maximum recommended speed 5500 R.P.M. Recommended needle 121GBS, size 080/032.
- FS133C209MV** COLLARETTE: Three needle, differential feed, top cover thread machine, medium capacity, "Fast-Action" binding cutter close to rear foot with knee press and control box - Typical application - For attaching flat or ribbed knit borders to the neck, arm and leg openings of knit garments and similar operations. Seam specifications 605 BSa-1. Standard Gauge Number 060 [15/64", 6.0mm]. Maximum recommended speed 5500 R.P.M. Recommended needle 121GBS, size 080/032.
- FS133C209MVA** COLLARETTE: Three needle, differential feed, top cover thread machine, medium capacity with "Fast-Action" binding cutter close to rear foot - Typical application - For attaching ribbed knit borders to the neck, arm and leg openings of knit garments and similar operations. Requires workstation number WS42800BK6A. Seam specifications 605 BSb-1. Standard Gauge Number 060 [15/64", 6.0mm]. Maximum recommended speed 5500 R.P.M. Recommended needle 121GBS, size 080/032.

NEEDLES

Each needle has both a type and size number. The type number denotes the kind of shank, point, length, groove, finish and other details. The size number, stamped on the needle shank, denotes the largest diameter of the blade measured between the shank and the eye. Collectively, the type number and size number represent the complete symbol which is given on the label of all needles packed and sold by Union Special.

TYPE

DESCRIPTION

121 GBS Round shank, round point, short, single groove, struck groove, spotted, ball point, chromium plated. Sizes available 065/025, 070/027, 075/029, 080/032, 090/036, 100/040.

When changing the needle, make sure it is fully inserted in the needle head before the screw is tightened.

To have needles promptly and accurately filled, an empty package, a needle sample, or the type and size number should be forwarded. Use the description on the label. A complete order should read as follows: "100 needles, type 121 GBS, size 070/027".

TERMS

Prices are net cash and subject to change without notice. All shipments are forwarded F.O.B. shipping point. A charge is made to cover postage and insurance.

ILLUSTRATIONS

This manual has been arranged to simplify ordering repair parts. Exploded views of various sections of the mechanism are shown so that the parts may be seen in their actual position in the machine. On the page opposite the illustration will be found a listing of the parts with their part numbers, description and the number of pieces required in the particular view being shown.

Numbers in the first column are reference numbers only, and merely indicate the position of the part in the illustration. The reference number should never be used in ordering parts. Always use the part number listed in the second column.

Component parts of sub-assemblies which can be furnished for repairs are indicated by indenting their descriptions under the description of the main sub-assembly. As an example refer to the following text.

9.	29126EC	Upper Looper Drive Shaft Assembly	1
10.	22503F	Screw	1
11.	39543E	Cam Follower Locking Clamp	1

It will be noted in the previous example that the cam follower, bushing, cam guide, and the upper looper drive shaft are not listed. The reason is that replacement of these parts individually is not recommended, so the complete upper looper drive shaft assembly should be ordered.

When a part is common to all machines covered in this manual, no specific usage will be mentioned in the description. However, when the parts for the various machines are not the same, the specific usage will be mentioned in the description and, if necessary, the difference will be shown in the illustration.

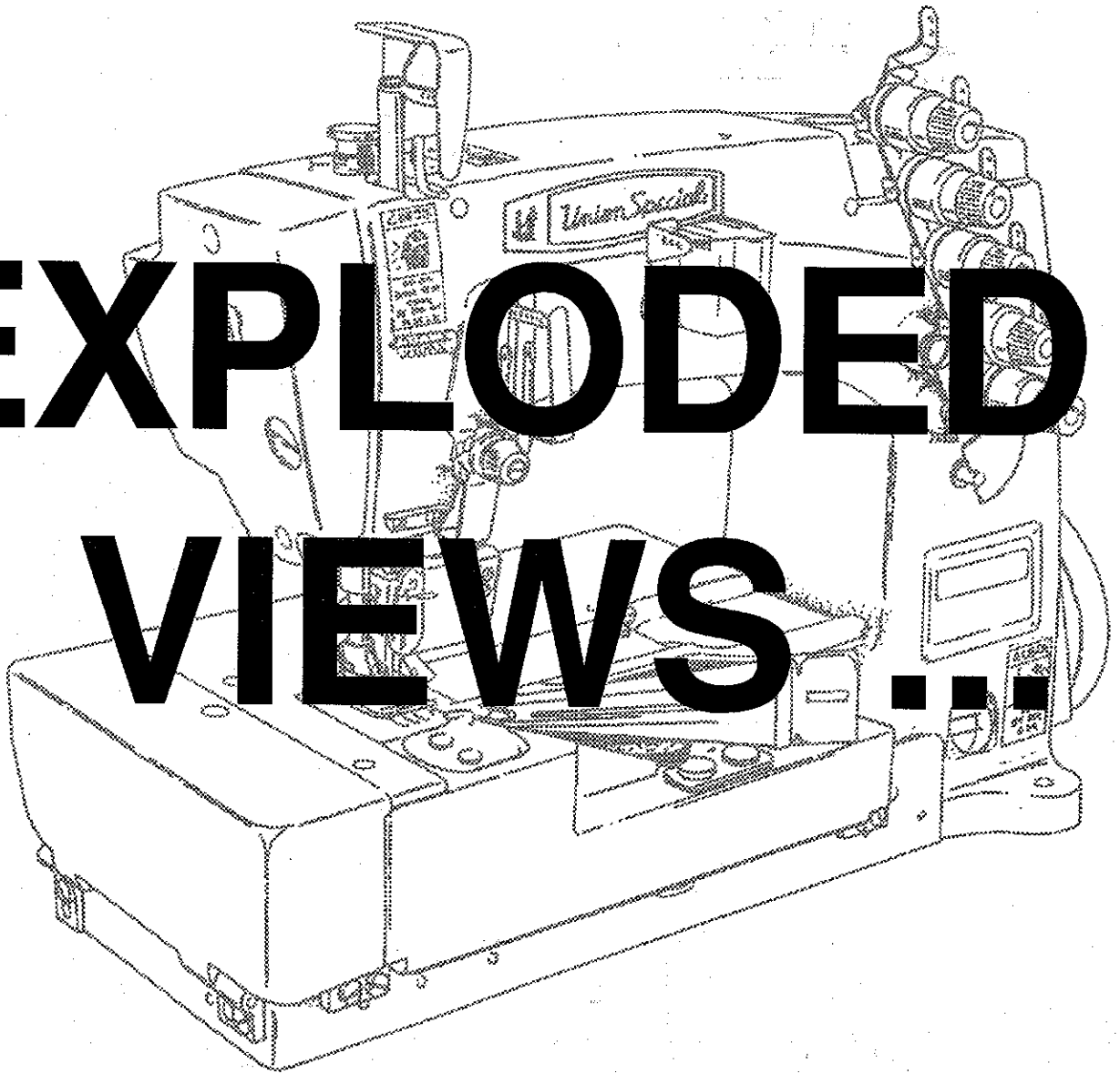
A numerical index of all the parts shown in this manual is located at the back. This will facilitate locating the illustration and description when only a part number is known.

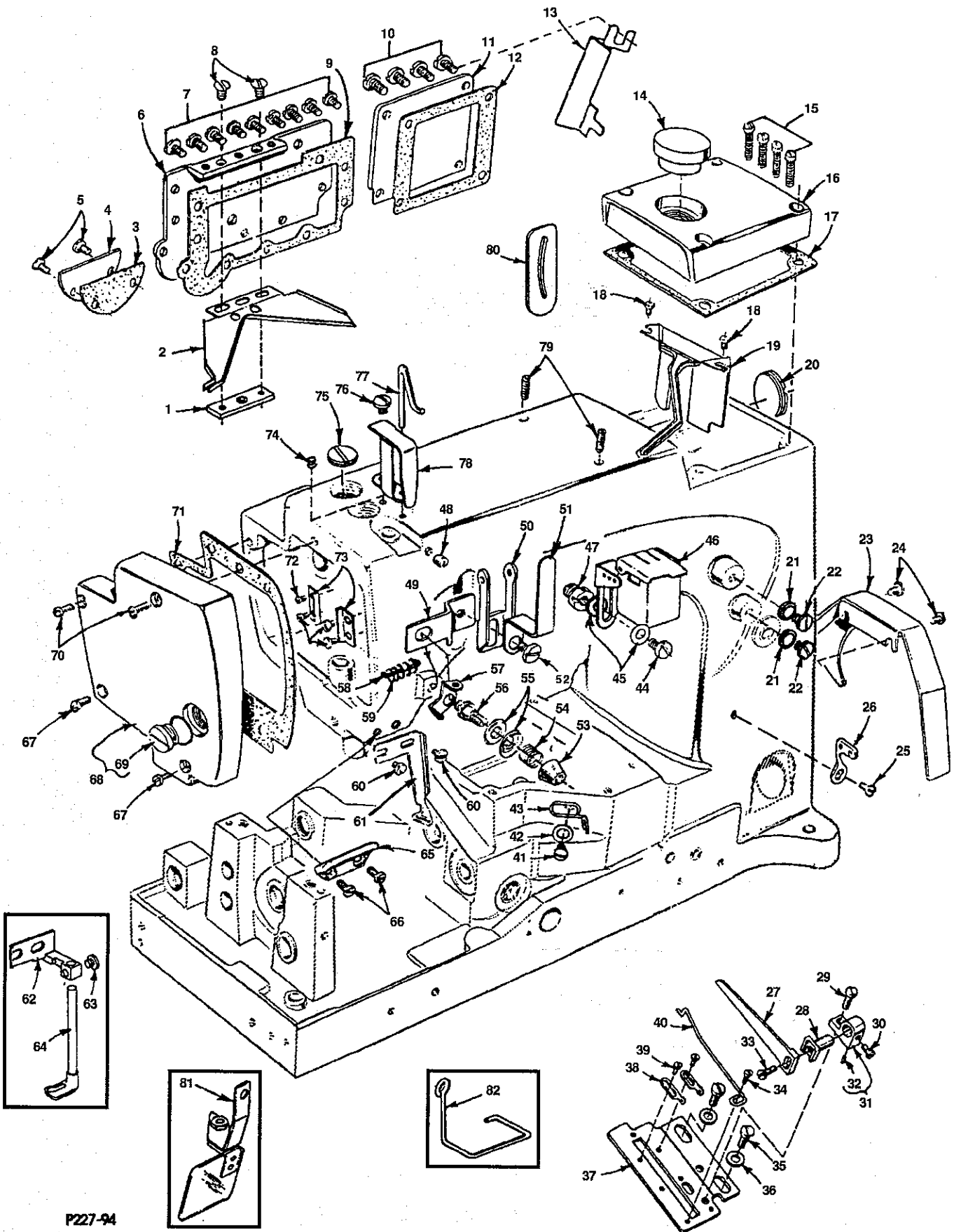
IDENTIFYING PARTS

Where the construction permits, each part is stamped with its part number. On some of the smaller parts and on those where construction does not permit, an identification letter is stamped in, to distinguish the part from similar ones.

PLEASE NOTE: Part numbers represent the same part, regardless of which manual they appear in. On all orders please include part number, name and style of machine for which the part was ordered.

EXPLODED VIEWS

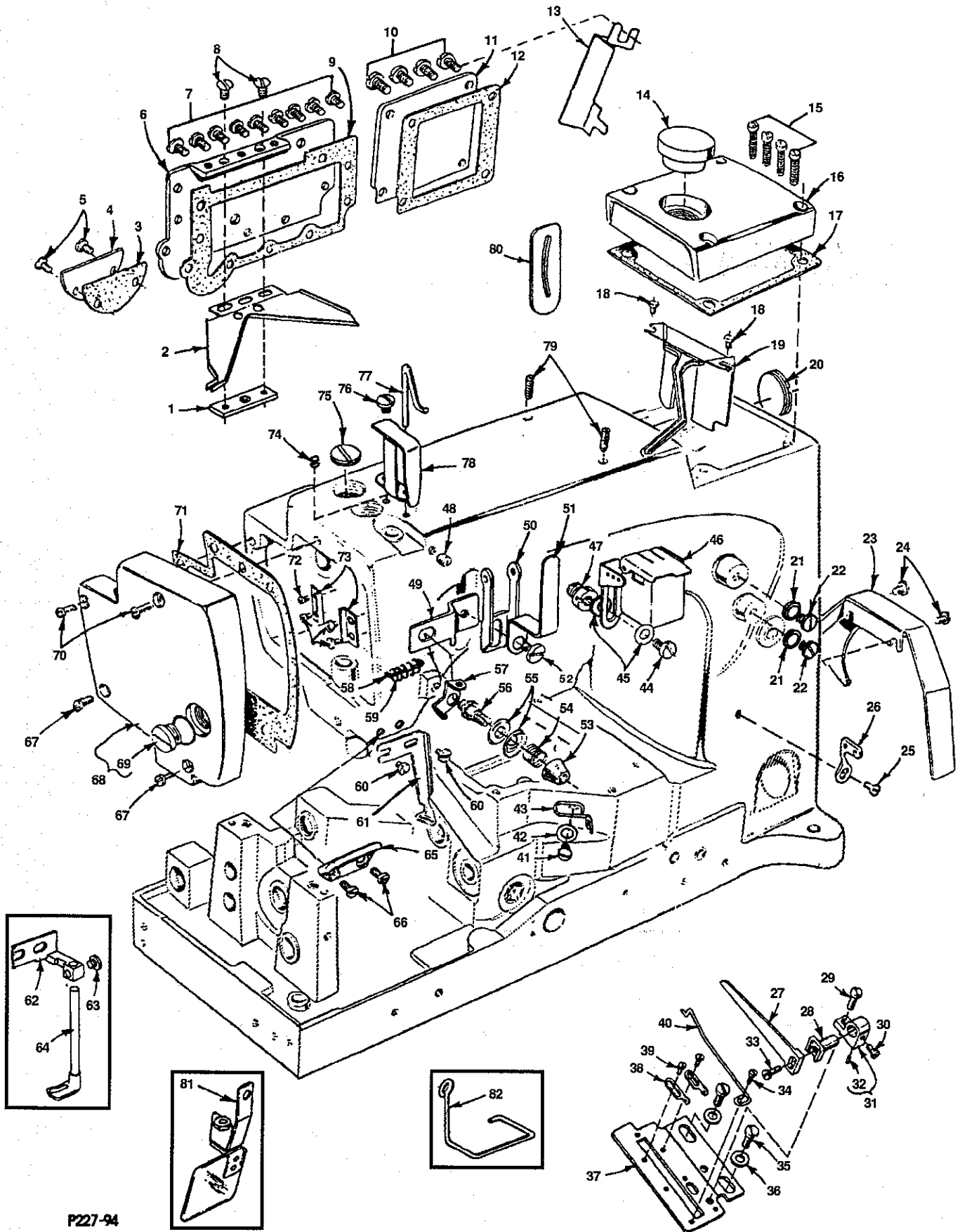




P227-94

MAIN FRAME, CAST-OFF PLATE & MISCELLANEOUS COVERS

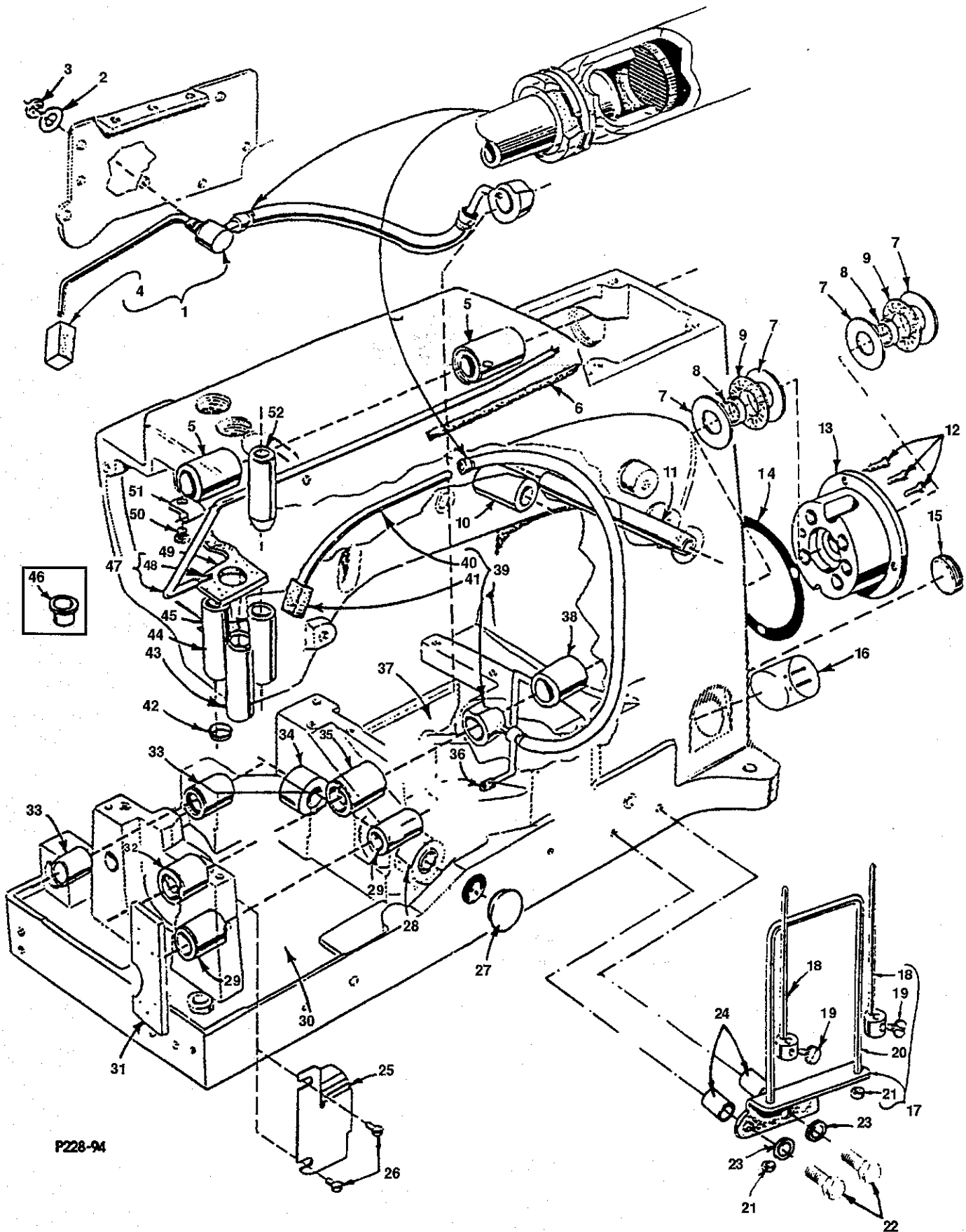
Ref. No.	Part No.	Description	Amt. Req.
1.	56382Y	Block, for oil drip plate	1
2.	56382AB	Oil Drip Plate	1
3.	56382AV	Gasket, for looper drive shaft cover	1
4.	56382J	Cover, for looper drive shaft	1
5.	22829	Screw, for looper drive shaft cover	2
6.	56382AA	Oil Reservoir Cover, back	1
7.	22848	Screw, for oil reservoir cover, back	8
8.	22524	Screw, for oil drip plate	2
9.	56382AU	Gasket, for oil reservoir cover, back	1
10.	22548	Screw, for crank chamber cover, lower	4
11.	56382D	Crank Chamber Cover, lower	1
12.	56382AX	Gasket, for crank chamber cover, lower	1
13.	57795B	Synchronizer Bracket, for Style FS122C253MB all gauges	1
14.	660-1002	Plug, for crank chamber cover, upper	1
15.	22541C	Screw, for crank chamber cover, upper	4
16.	57782M	Crank Chamber Cover, upper	1
17.	56382C	Gasket, for crank chamber cover, upper	1
18.	90	Screw, for bearing oiler assembly	2
19.	56382AC	Bearing Oiler Assembly	1
20.	22539S	Plug Screw, for bed	1
21.	80557	Washer, for tension assembly (see page 35)	2
22.	22839C	Screw, for tension assembly (see page 35)	2
23.	21375CE	Belt Guard	1
24.	22829	Screw, for belt guard	2
25.	98A	Screw, for looper guard thread eyelet	2
26.	158B	Looper Thread Eyelet	1
27.	52904B	Retaining Finger	1
28.	52804E	Retainer Support	1
29.	22768	Screw, for retaining finger support	1
30.	87U	Screw, for retainer support	1
31.	52904E	Retaining Finger Support	1
32.	50-216BLK	Pin	1
33.	22516	Screw, for retaining finger	1
34.	73A	Screw, for cast off wire	1
35.	22569C	Screw, for support plate	2
36.	69H	Washer, for support plate screw	2
37.	57757B	Cast-Off Plate	1
38.	52958D	Looper Thread Take-Up Eyelet	2
39.	73A	Screw, for take-up eyelet	2
40.	52904G	Cast-Off Wire	1
41.	22585A	Screw	1
42.	20	Washer	1
43.	53758	Looper Thread Eyelet	1
44.	22848	Screw, for lubricator bracket	1
45.	20	Washer, for lubricator bracket	2
46.	57894D	Eyelet, for needle thread lubricator	1
47.	22889H	Adapter Screw, for needle thread frame eyelet	1
48.	95	Screw	1
49.	57844C	Eyelet, for mounting plate, for Styles FS132C200MV, FS132C209MV, FS132C209MVA, FS132C210MV, all gauges, FS133C209MV, FS133C209MVA, FS133C200MW, .060gauge	1
50.	57858	Spreader Thread Eyelet, for Styles FS132C210MV, all gauges, FS133C200MW060	1
51.	57882J	Guard, for needle lever eyelet	1
52. thru 82. See following page			



P227-94

MAIN FRAME, CAST-OFF PLATE & MISCELLANEOUS COVERS (CONT.)

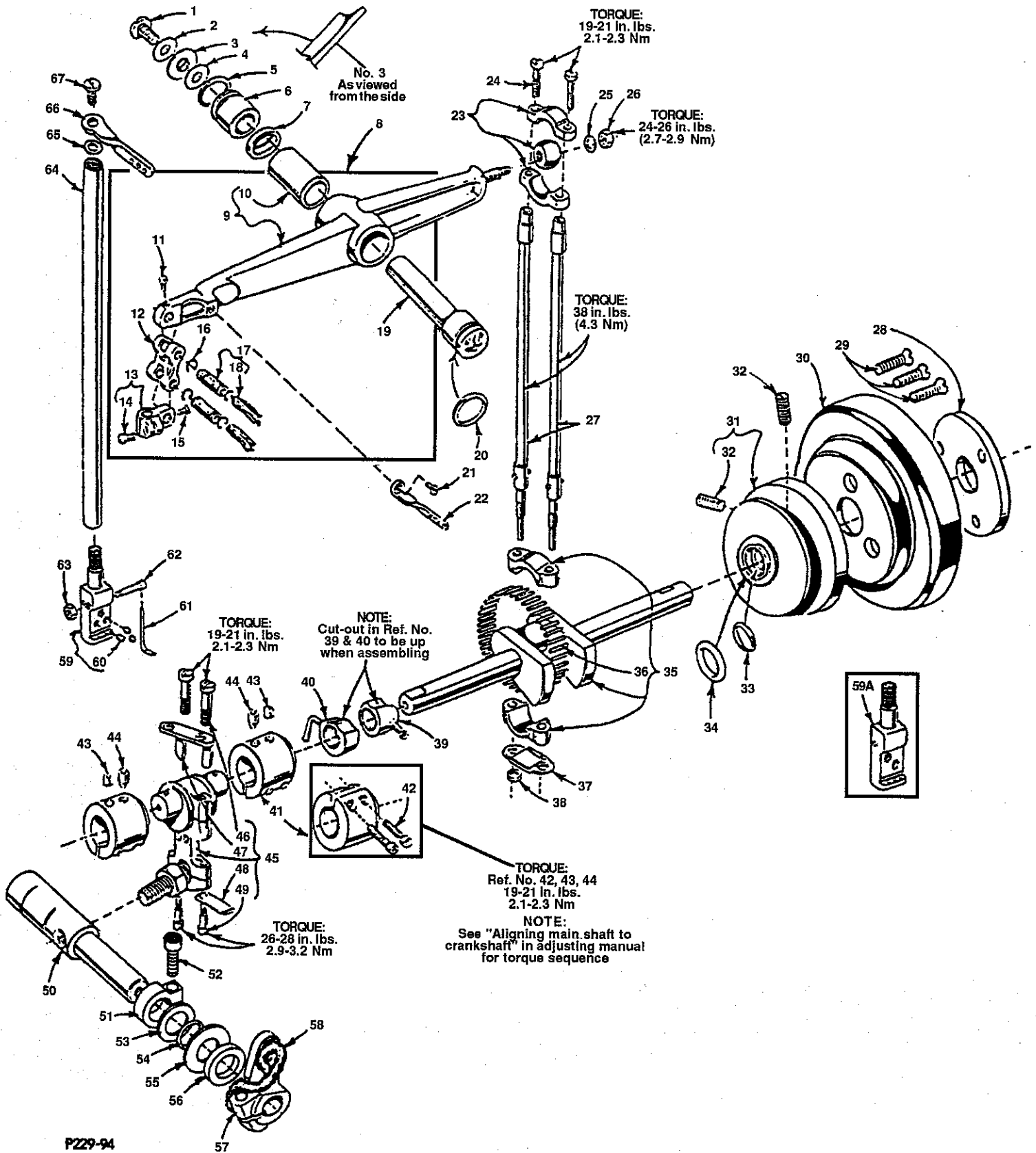
Ref. No.	Part No.	Description	Amt. Req.
1. thru 51. See preceding page			
52.	22585C	Screw	1
53.	57892H	Nut, for spreader thread post, for Styles FS132C200MV, FS132C209MV, FS132C209MVA, FS132C210MV, FS133C200MW, FS133C209MV, FS133C209MVA, all gauges	1
54.	57892C5	Spreader Tension Spring, for Styles FS132C200MV, FS132C209MV, FS132C209MVA, FS132C210MV, FS133C200MW, FS133C209MV, FS133C209MVA, all gauges	1
55.	80665F	Disk, for tension post, for Styles FS132C200MV, FS132C209MV, FS132C209MVA, all gauges, FS133C200MW; FS133C209MV, FS133C200MVA, .060 gauge	2
56.	57892J	Spreader Tension Post, for Styles FS132C200MV, FS132C209MV, FS132C209MVA, FS132C210MV, FS133C200MW, FS133C209MV, FS133C209MVA, all gauges	1
57.	57844	Spreader Thread Guide, for Styles FS132C200MV, FS132C209MV, FS132C209MVA, FS132C210MV, FS133C200MW, FS133C209MV, FS133C209MVA, all gauges	1
58.	34758	Needle Thread Guide	1
59.	57858A	Thread Guide Spring	1
60.	22542	Screw, for spreader thread guide	2
61.	57844A	Spreader Thread Guide, for Styles FS132C200MV, FS132C210MV, FS133C200MW, all gauges	1
62.	34844	Mounting Bracket, for Styles FS132C209MV, FS132C209MVA, FS133C209MV, FS133C209MVA, all gauges	1
63.	77	Screw, for spreader thread guide	1
64.	50373CQ	Spreader Thread Guide, for Styles FS132C209MV, FS132C209MVA, FS133C209MV, FS133C209MVA, all gauges	1
65.	57944B	Needle Thread Guide, all Styles except FS122C209MX, FS122C209MXA, FS123C209MX, FS123C209MXA, FS132C209MV, FS132C209MVA, FS133C209MV, FS133C209MVA, all gauges	1
66.	605A	Screw, for needle thread guide	2
67.	22541C	Screw, for head cover	2
68.	57882K	Head Cover	1
69.	22539AB	Plug Screw, for head cover	1
70.	22851D	Screw, for head cover	2
71.	57882P	Gasket, for head cover	1
72.	22564B	Screw, for guide plate	4
73.	34831C	Guide plate	2
74.	22894Y	Set Screw	1
75.	22539AA	Plug Screw, for bed	1
76.	22585A	Screw, for eyelet guard	1
77.	57770	Needle Thread Take-Up	1
78.	33795	Guard, for needle thread eyelet	1
79.	22894E	Screw, for needle lever stud	2
80.	660-617	Gasket, for needle lever eyelet	1
81.	99682XCA	Guard, for needle break	1
82.	21695R	Sewing Protector	1



P228-94

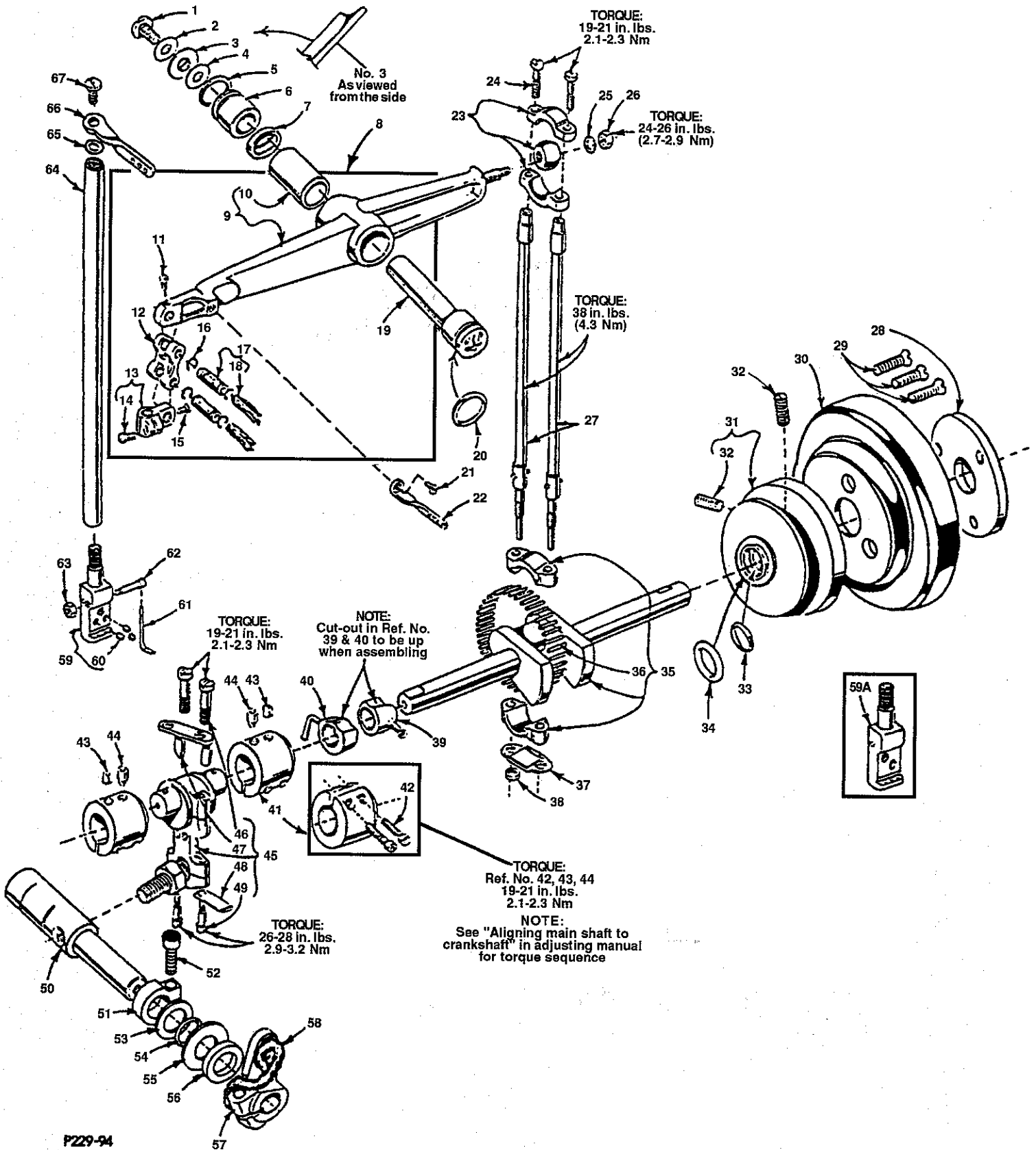
**MAIN FRAME, BUSHINGS, OIL SIGHT GAUGE & MISCELLANEOUS OILING PARTS
(ALL GAUGES)**

Ref. No.	Part No.	Description	Amt. Req.
1.	59493A	Base Oil Pump Assembly	1
2.	660-230	Gasket	1
3.	258A	Nut	1
4.	666-214	Felt Intake	1
5.	57849	Bushing, for spreader rocker shaft	2
6.	CL-21	Oil Wick	1
7.	56390H	Thrust Washer	4
8.	56390J	Pilot Ring	2
9.	660-665	Needle Thrust Bearing	2
10.	52883R	Bushing, for presser foot lifter	1
11.	21657X	Release Bushing	1
12.	22569B	Screw, for crankshaft bushing housing	3
13.	57890B	Crankshaft Bushing Housing	1
14.	56390E	Gasket, housing	1
15.	22539R	Oil Drain Plug	1
16.	51-902BLK	Oil Sight Gauge	1
17.	23439G	Strip Tension Assembly	1
18.	23439F	Adjustable Pin	2
19.	188D	Screw	2
20.	51-561BLK	Guide	1
21.	907	Nut	2
22.	627A	Screw	2
23.	20	Washer	2
24.	50392D	Bushing	2
25.	57894	Oil Deflector	1
26.	90	Screw, for oil deflector	2
27.	999-216K	Plug	1
28.	52942AB	Bushing, for looper drive lever shaft, front	2
29.	50-895BLK	Bushing, for looper rocker shaft	1
30.	56393P	Felt, base, front	1
31.	666-259	Felt	1
32.	56390	Main Shaft Bushing, left	1
33.	57836B	Bushing, for feed rocker shaft	2
34.	57842B	Bushing, for looper drive shaft, rear	1
35.	56190	Main Shaft Bushing, middle	1
36.	35897BV	Filter, for main shaft bushing	1
37.	56393Q	Felt, base, rear	1
38.	56390G	Main Shaft Bushing, right	1
39.	57893	Oil Pump Assembly, head	1
40.	57893A	Oil Tube	1
41.	666-214	Felt Intake	1
42.	660-739	Oil Seal	1
43.	51257AA	Presser Bar Bushing	1
44.	57847B	Spreader Bushing	1
45.	57854	Needle Bar Bushing, lower	1
46.	661-258	Plug, for spreader bushing, for Styles FS122C200MB, FS122C203MB, FS122C209MX, FS122C209MXA, FS122C210MB, FS122C253MB, FS123C209MX..	1
47.	57893C	Oil Tube	1
48.	6-67-125	Felt	1
49.	56393W	Felt Oil Attraction	1
50.	22585A	Screw, for clamp	1
51.	660-406	Clamp, for oil tube	1
52.	51154E	Needle Bar Bushing, upper	1



CRANKSHAFT, NEEDLE LEVER, NEEDLE BAR & LOOPER DRIVING PARTS

Ref. No.	Part No.	Description	Amt. Req.
1.	22586R	Screw, for needle lever assembly	1
2.	56382AK	Gasket, for thrust collar	1
3.	51250D	Washer	1
4.	51250V	Washer	1
5.	660-625	"O" Ring	1
6.	56350J	Collar	1
7.	56350K	Torion Washer	1
8.	29348AF	Needle Lever Assembly	1
9.	56315A	Needle Lever	1
10.	56350G	Bushing	1
11.	77	Screw	1
12.	56354D	Link, for needle bar	1
13.	51254K	Needle Bar Connection	1
14.	22562A	Screw	1
15.	22564	Screw	1
16.	660-215	Retaining Ring	4
17.	52336A	Link Pin	2
18.	WO-3	Oil Wick	2
19.	56350D	Needle Lever Stud	1
20.	660-625	"O" Ring	1
21.	22768	Screw, for needle lever eyelet	1
22.	54458-9	Needle Lever Thread Eyelet	1
23.	29105BC	Ball Joint, for needle lever	1
24.	22559G	Screw, for ball joint	2
25.	51216N	Washer, for ball joint	1
26.	51216P	Nut, for ball joint	1
27.	56316	Needle Lever Connecting Rod	2
28.	61321L	Retaining Plate	1
29.	22574	Screw, for handwheel	3
30.	57821D	Handwheel	1
31.	56321S	Pulley, for synchronizer	1
32.	22894AB	Screw, for pulley	2
33.	660-206	Oil Seal Ring, for pulley	1
34.	660-202	"O" Ring	1
35.	29476NZ	Crankshaft Assembly	1
36.	51216M	Needle Bearing	28
37.	56316C	Connecting Rod Guide	1
38.	12934A	Nut, for connecting rod guide	1
39.	57893	Oil Pump Assembly, head (see page 17, ref. no. 39)	1
40.	59493A	Oil Pump Assembly, base (see page 17, ref. no. 1)	1
41.	56343F	Coupling, for looper drive lever coupling	2
42.	22653L-8	Screw, for looper drive lever coupling	4
43.	22894C	Set Screw, for looper drive lever coupling	2
44.	22894D	Spot Screw, for looper drive lever coupling	2
45.	29105BB	Looper Lever Crank Assembly	1
46.	22587K	Screw	2
47.	56343C	Ball Joint Guide	1
48.	56343E	Oil Splasher	1
49.	22729AB	Screw	2
50. thru 67. See following page			

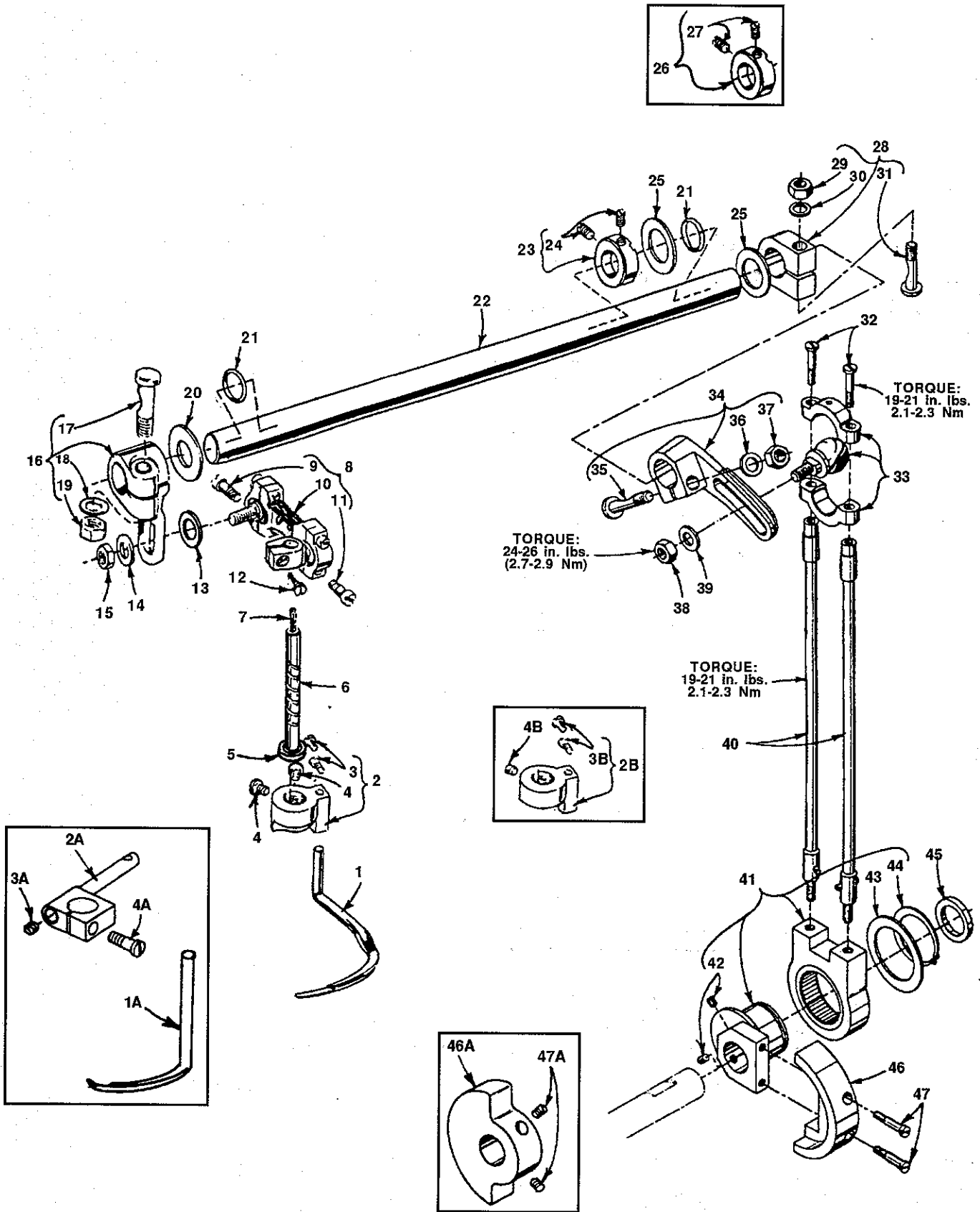


P229-94

CRANKSHAFT, NEEDLE LEVER, NEEDLE BAR & LOOPER DRIVING PARTS (CONT.)

Ref. No.	Part No.	Description	Amt. Req.
1. thru 49. See preceding page			
50.	52942AF	Looper Drive Lever Rocker Shaft	1
51.	34342J	Binder Clamp	1
52.	22652A12	Hex Screw	1
53.	57849C	Thrust Washer	1
54.	660-202	"O" Ring	1
55.	56390H	Washer	1
56.	52951C	Thrust Washer	1
57.	56342K	Looper Drive Lever	1
58.	CL-21	Oil Wick	1
59.	57818A060	Needle Head, for all 3 needle, .060 gauge machines	1
-	57818A040	Needle Head, for all 2 needle, .040 gauge machines	1
-	57818A044	Needle Head, for all 2 needle, .044 gauge machines	1
59A.	57818A032	Needle Head, for all 2 needle, .032 gauge machines	1
60.	28B	Screw, for needle head	2 or 3*
61.	34818B	Cover Thread Guide, for Styles FS132C200MV, FS132C209MV, FS132C209MVA, FS132C210MV, FS133C200MW, FS133C209MV, FS133C209MVA, all gauges	1
62.	99331A	Screw, for cover thread guide, for Styles FS132C200MV, FS132C209MV, FS132C209MVA, FS132C210MV, FS133C200MW, FS133C209MV, FS133C209MVA, all gauges	1
63.	95262V	Nut, for screw, for Styles FS132C200MV, FS132C209MV, FS132C209MVA, FS132C210MV, FS133C200MW, FS133C209MV, FS133C209MVA, all gauges	1
64.	34317	Needle Bar	1
65.	27-435BLK	Washer, for needle bar thread	1
66.	56958A	Needle Bar Thread Eyelet	1
67.	22768	Screw, for needle bar eyelet	1

* Three screws to be used on all .060 gauge machines.

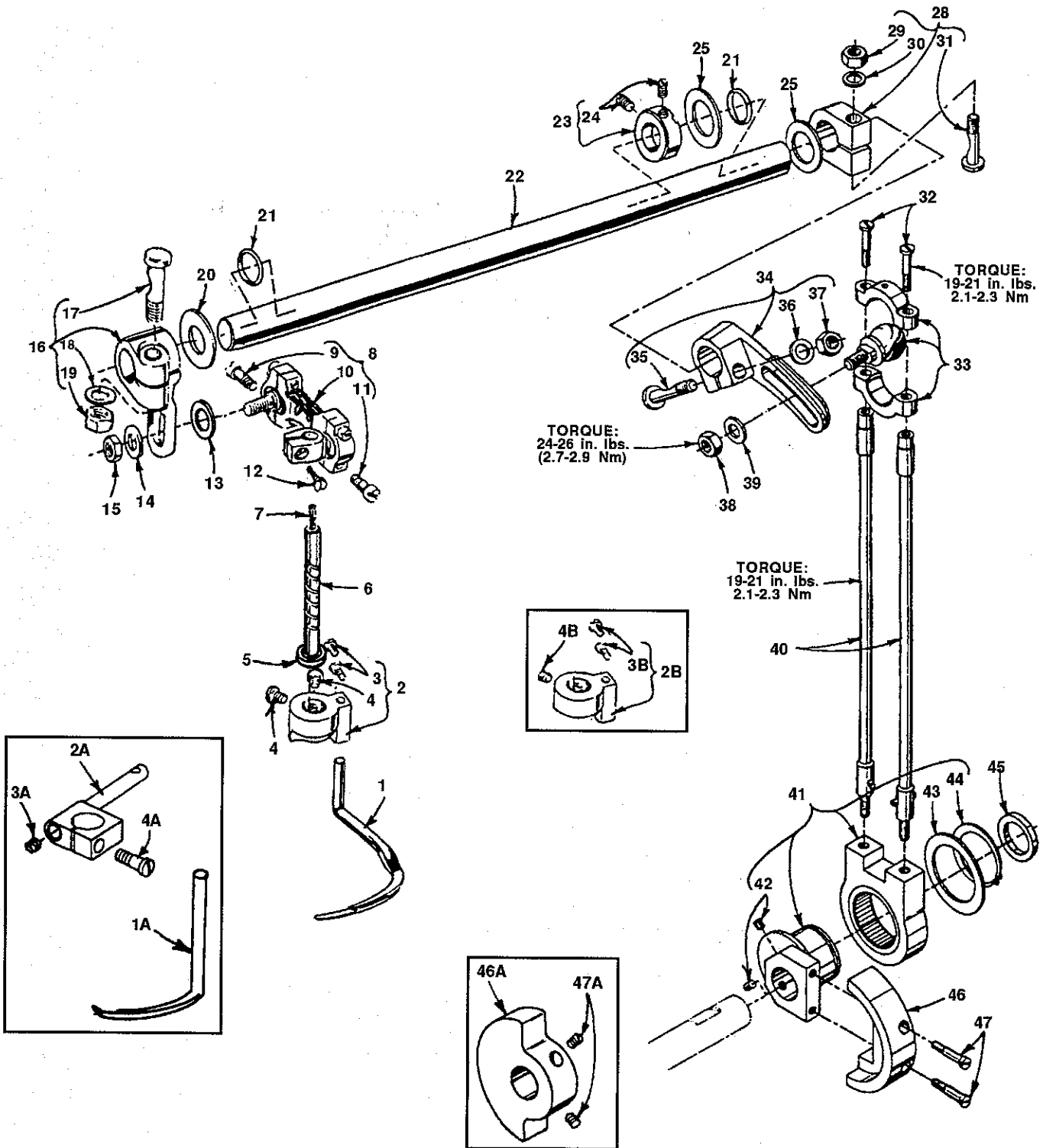
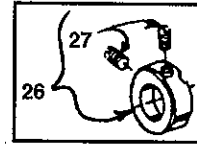


SPREADER & SPREADER DRIVE

FOR STYLES FS123C209MXA, FS132C200MV, FS132C209MV, FS132C209MVA, FS132C210MV, FS133C200MW,
FS133C209MV, FS133C209MVA (ALL GAUGES)

Ref. No.	Part No.	Description	Amt. Req.
1.	57845AA	Spreader, for Styles FS132C210MV, FS133C200MW	1
1A.	50345L	Spreader, for Styles FS132C209MV, FS132C209MVA, FS133C209MV, FS133C209MVA	1
2.	C50046	Spreader Holder, for Styles FS123C209MX, FS123C209MXA, FS133C200MW ..	1
2A.	34846B	Spreader Holder, for Styles FS132C209MV, FS132C209MVA, FS133C209MV, FS133C209MVA	1
2B.	57846A	Spreader Holder, for Styles FS132C200MV, FS132C209MV, FS132C209MVA, FS133C209MV, FS133C209MVA, FS132C210MV	1
3.	22562B	Screw	2
3A.	77	Screw, for Styles FS132C209MV, FS132C209MVA, FS133C209MV, FS133C209MVA	1
3B.	77A	Screw, for Styles FS132C200MV, FS132C209MVA, FS132C209MVA, FS133C209MV, FS133C209MVA, FS132C210MV	2
4.	77	Screw	2
4A.	G50-785	Screw, for Styles FS132C209MV, FS132C209MVA, FS133C209MV, FS133C209MVA	1
4B.	22547D	Screw, for Styles FS132C200MV, FS132C209MV, FS132C209MVA, FS132C210MV, FS133C209MV, FS133C209MVA	2
5.	41332J	Thrust Washer	2
6.	34847A	Spreader Holder Drive Shaft	1
7.	1204002	Oil Wick	1
8.	34848	Carrier Connecting Rod Assembly	1
9.	22729	Screw	2
10.	15430L	Felt, green	1
-	U94194U	Wick	1
11.	22729	Screw	2
12.	93	Screw	1
13.	57835M	Washer, ball	1
14.	20	Washer, for carrier connecting rod assembly	1
15.	18	Nut, for carrier connecting rod assembly	1
16.	57849A	Spreader Rocker Shaft Arm	1
17.	55235D	Locking Stud	1
18.	6042A	Washer	1
19.	55235E	Nut	1
20.	52951C	Washer, for spreader rocker shaft collar	1
21.	999-232	"O" Ring, for spreader rocker shaft	2
22.	52849	Spreader Rocker Shaft	1
23.	57847	Crankshaft Thrust Collar	2
24.	95	Screw	2

25. thru 47A. See following page.

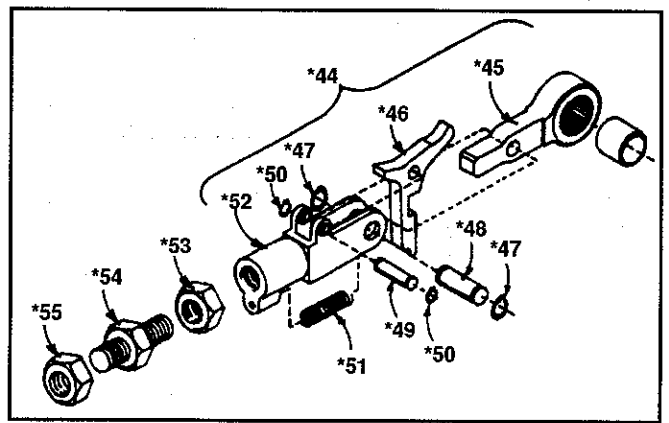
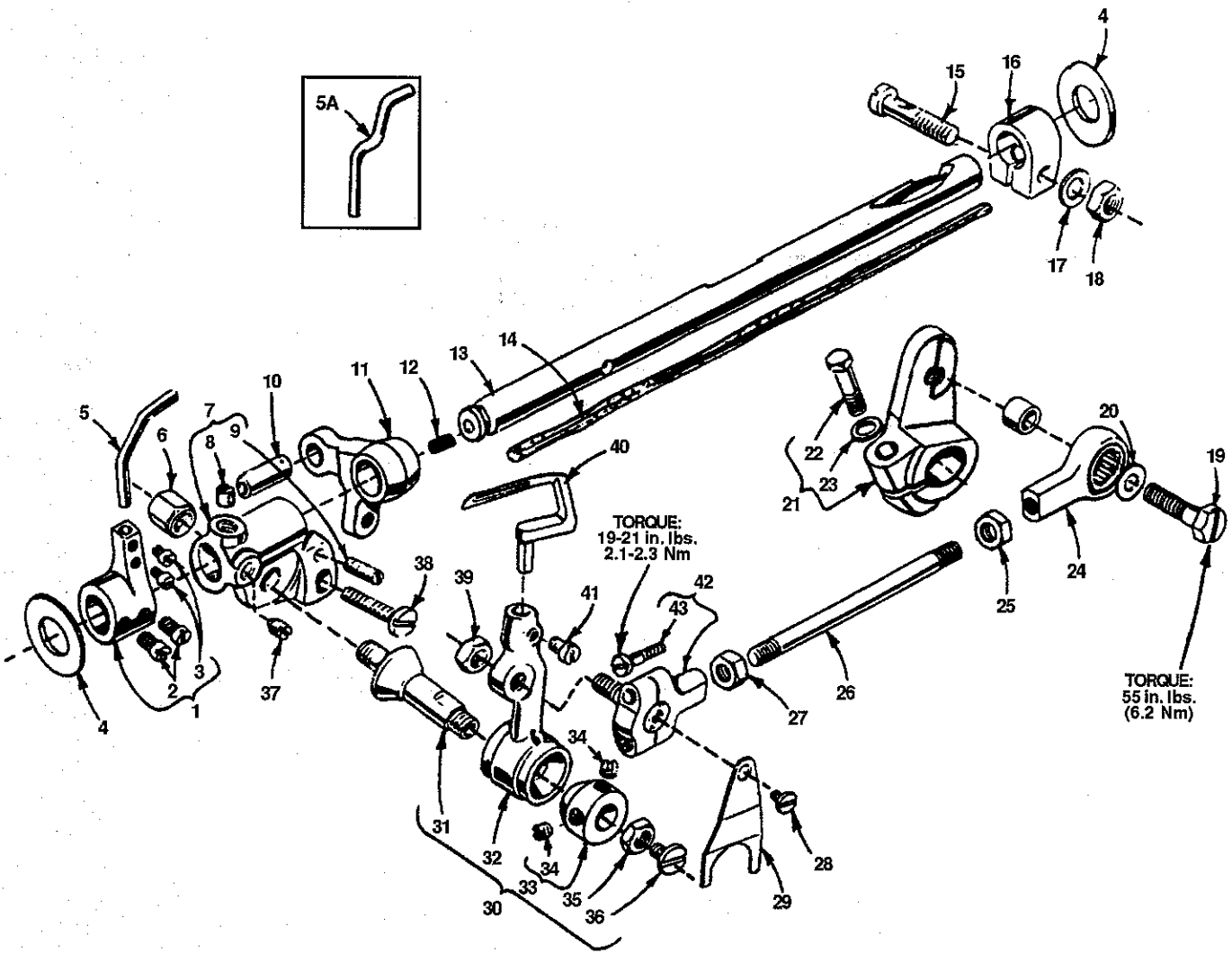


P070-93

SPREADER & SPREADER DRIVE (CONT.)

FOR STYLES FS123C209MXA, FS132C200MV, FS132C209MV, FS132C209MVA, FS132C210MV, FS133C200MW,
FS133C209MV, FS133C209MVA(ALL GAUGES)

Ref. No.	Part No.	Description	Amt. Req.
1. thru 24. See preceding page.			
25.	57894C	Washer	3
26.	57847	Crankshaft Thrust Collar (replaces 29, 30, 31 on non-spreader machines)	1
27.	95	Screw	1
28.	57849D	Spreader Rocker Shaft Collar, inner	1
29.	55235E	Nut	1
30.	6042A	Washer	1
31.	55235D	Locking Stud	1
32.	22559G	Screw, for spreader connecting rod ball joint, upper	2
33.	29105BD	Spreader Connecting Rod Ball Joint, upper	1
34.	52952D	Segment Lever	1
35.	55235D	Locking Stud	1
36.	6042A	Washer	1
37.	55235E	Nut	1
38.	18	Nut, for spreader connecting rod ball joint	1
39.	HA20A	Washer	1
40.	52916	Connecting Rod	2
41.	29126CR	Spreader Drive Eccentric Assembly	1
42.	95	Screw	2
43.	52951-B	Retaining Washer	1
44.	660-246	Retaining Ring	1
45.	52951C	Spacer Washer	1
46.	52947A	Counterweight	1
46A.	51247	Counterweight, for Styles FS122C200MB, FS122C203MB, FS122C209MX, FS122C209MXA, FS122C210MB, FS122C253MB, FS123C209MX, FS123C209MXA	1
47.	22587H	Screw, for counterweight	2
47A.	22894J	Screw	2

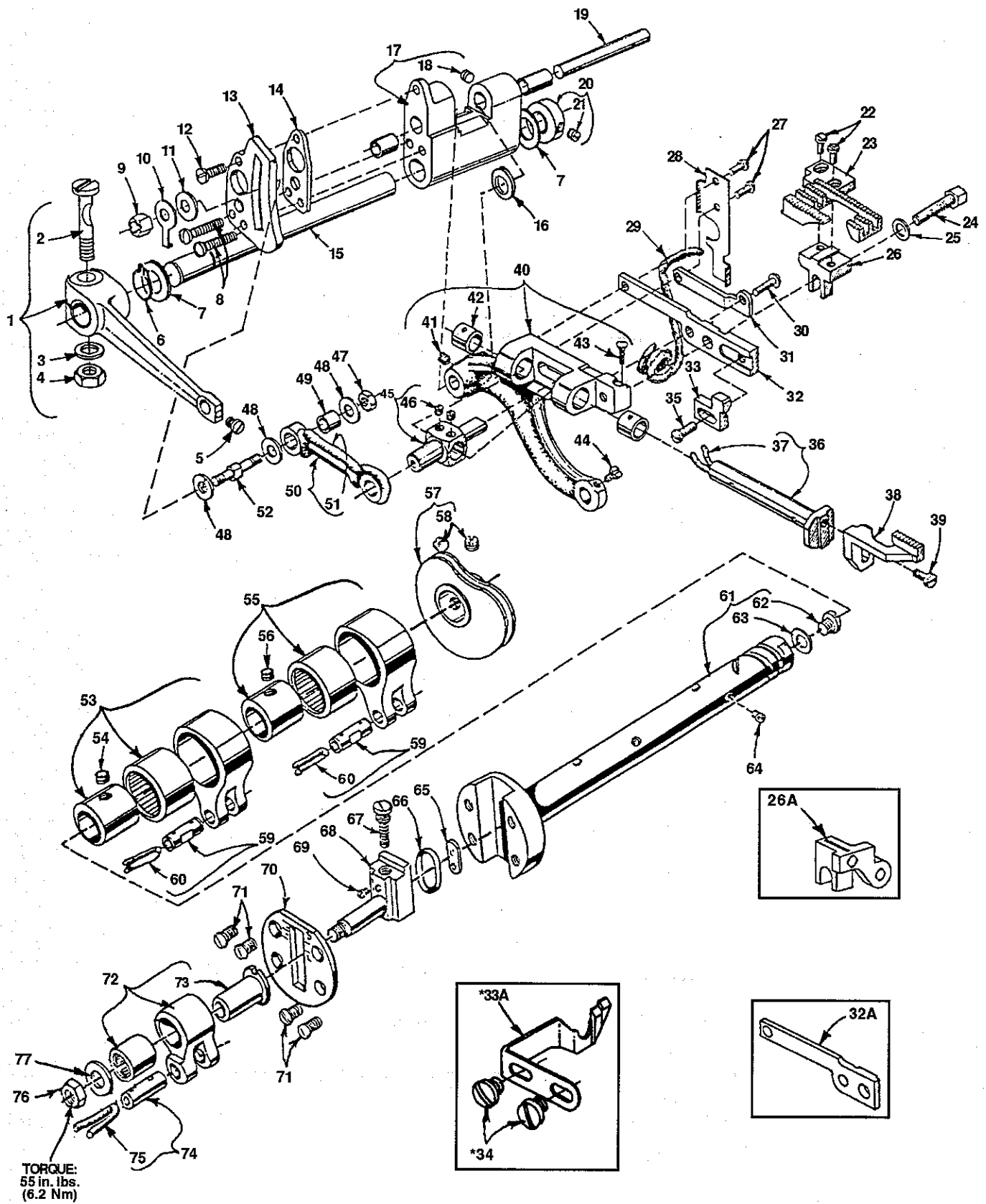


P071-93

**LOOPER ROCKER & CONNECTING ROD PARTS
(ALL GAUGES)**

Ref. No.	Part No.	Description	Amt. Req.
1.	52825D	Holder, for front needle guard	1
2.	77	Screw	2
3.	33174B	Screw	2
4.	51244L	Thrust Washer, for looper rocker shaft	2
5.	57725B	Front Needle Guard, for Styles FS122C200MB, FS122C203MB, FS122C210MB, FS122C253MB, FS132C200MV, FS132C210MV, FS133C200MW	1
5A.	A10085	Front Needle Guard, for Styles FS122C209MX, FS122C209MXA, FS123C209MX, FS123C209MXA, FS132C209MV, FS132C209MVA, FS133C209MV, FS133C209MVA...	1
6.	57846B	Nut, for looper rocker assembly	1
7.	57744A	Looper Rocker Frame	1
8.	98	Set Screw	1
9.	719	Stop Screw	1
10.	51236J	Connecting Pin	1
11.	56344D	Looper Rocker Arm	1
12.	CO67E	Cork Plug, for looper rocker shaft	1
13.	57744	Looper Rocker Shaft	1
14.	WO-3	Wool Yarn, for looper rocker shaft	1
15.	55244G	Stud, for looper rocker shaft collar	1
16.	51244N	Looper Rocker Shaft Collar	1
17.	51216N	Washer, for shaft stud	1
18.	18	Nut, for shaft stud	1
19.	627	Looper Lever Stud	1
20.	20	Washer, for looper lever stud	1
21.	56342K	Looper Drive Lever	1
22.	22882C	Screw	1
23.	20	Washer	1
24.	29476LV	Looper Connecting Rod Ball Joint, right	1
25.	18	Nut	1
26.	39141	Looper Connecting Rod	1
27.	269	Nut, for connecting rod	1
28.	87U	Screw, for ball joint oiler	1
29.	56393J	Ball Joint Oiler	1
30.	29192Z	Looper Rocker Assembly	1
31.	51745	Stud, for looper rocker cone	1
32.	57713	Looper Rocker	1
33.	15465F	Looper Rocker Cone	1
34.	88	Screw	2
35.	258	Lock Nut	1
36.	22829	Screw	1
37.	96	Spot Screw, for looper rocker frame	1
38.	22874	Lock Screw, for looper rocker frame	1
39.	18	Nut, for looper connecting rod ball joint, left	1
40.	52708B	Looper	1
41.	73	Screw, for looper	1
42.	29105BA	Looper Connecting Rod Ball Joint, left	1
43.	22729C	Screw, for ball joint	2
*44.	56341N	Looper Connecting Rod Jointed Section Assembly, right	1
*45.	56341P	Looper Connecting Rod	1
*46.	56341S	Lever	1
*47.	660-310	Retaining Ring	2
*48.	56341W	Pin	1
*49.	56341T	Pin	1
*50.	660-210	Retaining Ring	2
*51.	56341V	Spring	1
*52.	56341R	Housing	1
*53.	18	Nut, right hand thread	1
*54.	51240D	Looper Connecting Rod	1
*55.	269	Nut, left hand thread	1

* These parts are an extra send charge and replace reference numbers 24, 25, 26, 27.

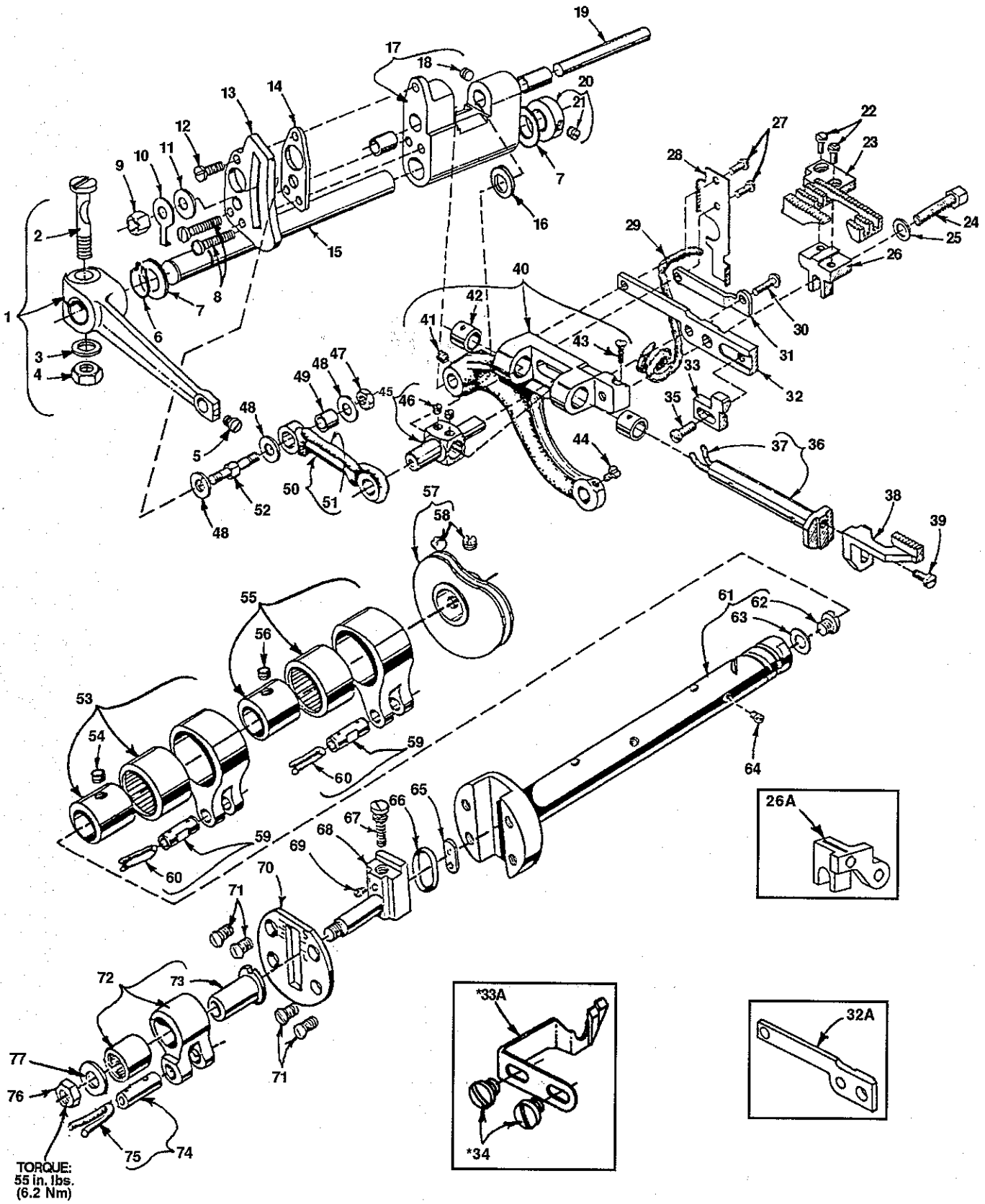


**MAIN & DIFFERENTIAL FEED MECHANISMS
(ALL GAUGES)**

Ref. No.	Part No.	Description	Amt. Req.
1.	57835R	Feed Rocker Arm	1
2.	55235D	Stud, locking	1
3.	6042A	Washer	1
4.	55235E	Nut	1
5.	22768A	Screw	1
6.	660-438	Retaining Ring	1
7.	41391	Washer	2
8.	75	Screw, for segment plate	2
9.	52834N	Nut, for differential feed regulating stud	1
10.	39236C	Regulating Stud Stop	1
11.	51225W	Washer, for regulating stud	1
12.	22516	Screw, for segment plate	1
13.	52836Y	Feed Rocker Segment Plate	1
14.	52836AA	Shim, for segment plate	1
15.	57835X	Feed Rocker Shaft	1
16.	61341J	Washer	1
17.	52836AB	Feed Rocker	1
18.	22894P	Screw, for feed rocker	2
19.	52834R	Shaft, for feed rocker, upper	1
20.	56335D	Collar, for feed rocker shaft	1
21.	98	Screw, for collar	2
22.	22595	Screw, for feed dog	2
-	22593A	Screw, for feed dog, for Styles FS123C209MX, FS123C209MXA, FS133C200MW, FS132C210MV	2
23.	-----	-----	-----
24.	22653B10	Main Feed Dog (see pages 43, 45, 47)	1
25.	51235G	Screw, for feed dog holder	1
26.	52853B	Washer	1
26A.	57853F	Feed Dog Holder, main, for Styles FS122C200MB, FS122C203MB, FS122C210MB, FS122C253MB, FS132C200MV, FS132C210MV, FS133C200MW	1
27.	22593	Feed Dog Holder, main, for Styles FS122C209MX, FS122C209MXA, FS123C209MX, FS123C209MXA, FS132C209MV, FS132C209MVA, FS133C209MV, FS133C209MVA	1
28.	57834J	Screw, for guide	2
29.	CL-21	Oil Wick Retainer, for Styles FS122C209MX, FS122C209MXA, FS123C209MX, FS123C209MXA, FS132C209MV, FS132C209MVA, FS133C209MV, FS133C209MVA	1
		Oil Wick, for Styles FS122C209MX, FS122C209MXA, FS123C209MX, FS123C209MXA, FS132C209MV, FS132C209MVA, FS133C209MV, FS133C209MVA	1
30.	22635E24	Screw	1
31.	57837D	Guide Plate, for differential feed dog	1
32.	57853E	Guide Plate and Support, for Styles FS122C200MB, FS122C203MB, FS122C210MB, FS122C253MB, FS132C200MV, FS132C210MV, FS133C200MW	1
32A.	57853	Guide Plate, for Styles FS122C209MX, FS122C209MXA, FS123C209MX, FS123C209MXA, FS132C209MV, FS132C209MVA, FS133C209MV, FS133C209MVA	1
33.	57825E	Rear Needle Guard for Styles FS122C200MB, FS122C203MB, FS122C210MB, FS122C253MB, FS132C200MV, FS132C210MV, FS133C200MW	1
-	57825H	Rear Needle Guard for Styles FS132C209MV, FS132C209MVA, FS133C209MV, FS133C209MVA	1
*33A.	57825F	Needle Guard, rear	1
*34.	94	Screw, for needle guard	2

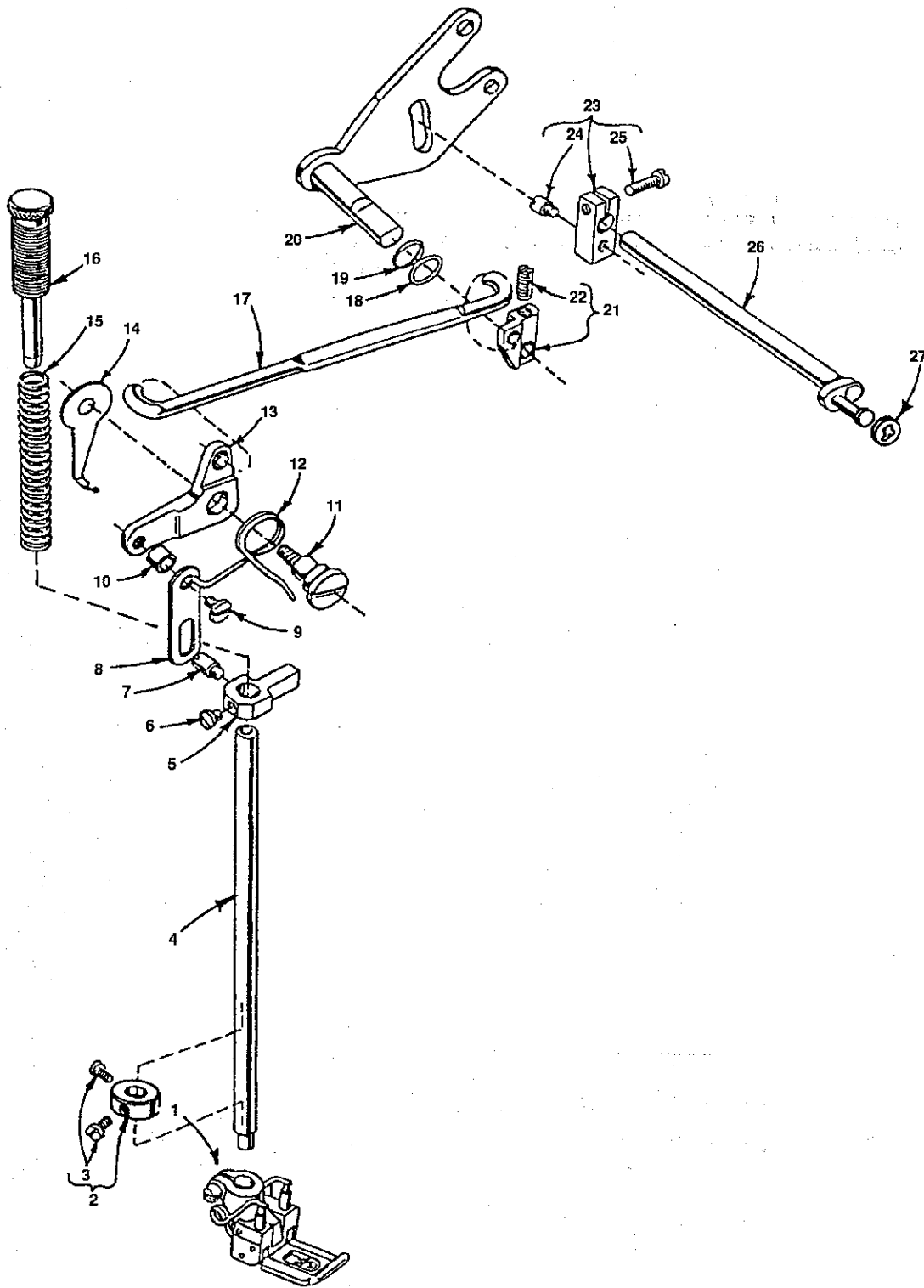
35. thru 77. See following page

*These parts are an extra send and charge. Will fit all styles except FS122C209MX, FS122C209MXA, FS123C209MX, FS123C209MXA, FS132C209MV, FS132C209MVA, FS133C209MV, FS133C209MVA, all gauges.



MAIN & DIFFERENTIAL FEED MECHANISMS (CONT.)

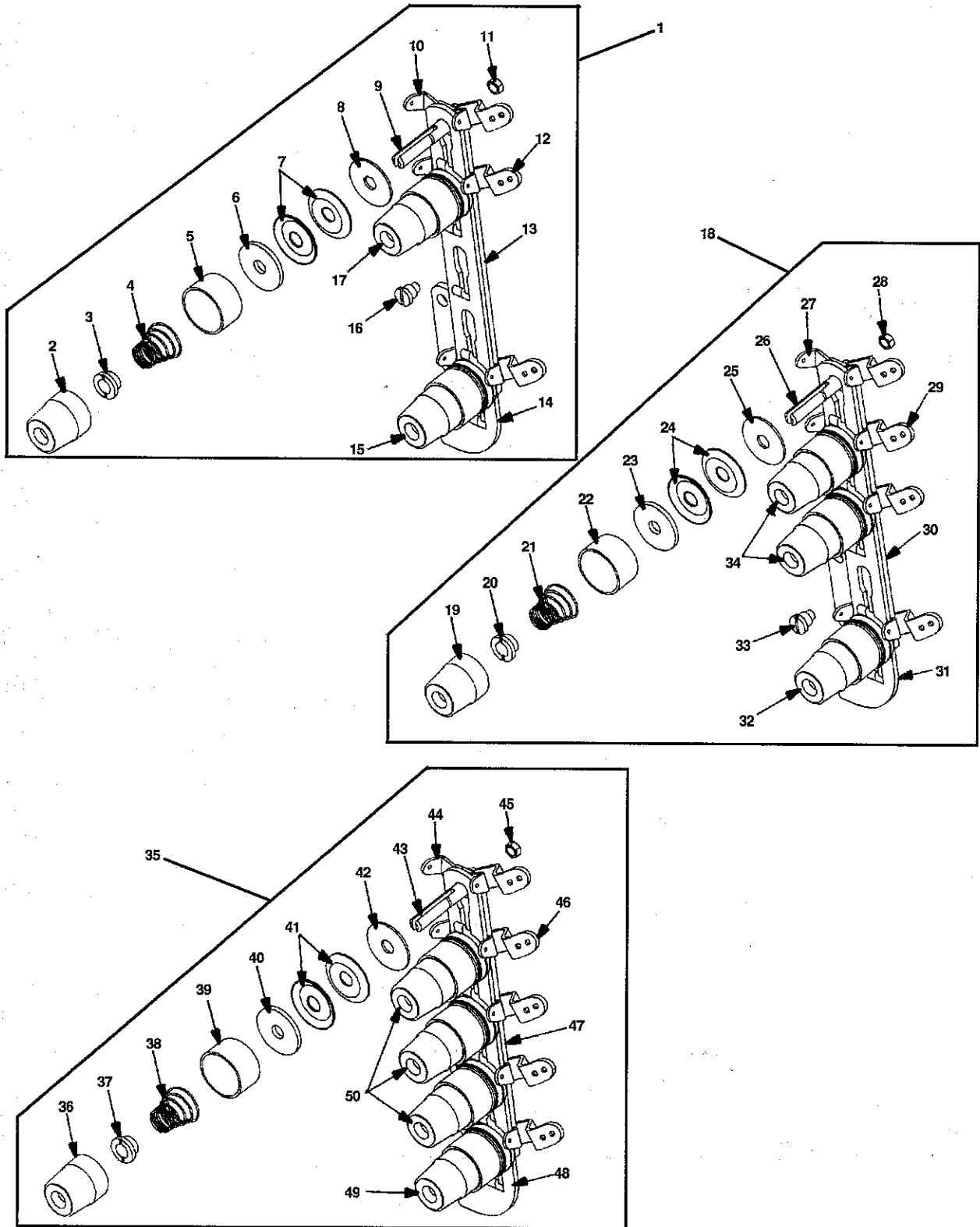
Ref. No.	Part No.	Description	Amt. Req.
1. thru 34. See preceding page			
35.	91D	Screw, for rear needle guard	1
36.	57834A	Differential Feed Bar	1
37.	CL-21	Oil Wick	1
38.	-----	Differential Feed Dog (see pages 43, 47)	1
39.	91	Screw, for differential feed dog	1
40.	52834P	Main Feed Bar	1
41.	22560B	Screw	1
42.	39237G	Bushing, for differential feed bar	2
43.	22766	Screw	1
44.	77	Screw, for main feed bar	1
45.	39237	Guide, for differential feed bar	1
46.	22565C	Screw	2
47.	907	Nut, for regulating stud	1
48.	51225W	Washer, for regulating stud	3
49.	39236V	Bushing, for differential feed drive link	1
50.	52835T	Driving Link	1
51.	CL-21	Oil Wick	1
52.	39236B	Regulating Stud, for differential feed	1
53.	29476RJ072	Feed Lift Eccentric Assembly	1
54.	22894AA	Screw	1
55.	29476RS062	Looper Avoid Eccentric Assembly	1
56.	22894AA	Screw	1
57.	52923D	Looper Thread Take-Up	1
58.	22580D	Screw, for take-up	2
59.	51236J	Link Pin	2
60.	WO-3	Oil Wick	2
61.	57822A	Main Shaft	1
62.	56322B	Screw	1
63.	22891B	Gasket	1
64.	22801	Screw, for main shaft	1
65.	56336D	Insert, feed crank stud	1
66.	660-269B	Quad Ring	1
67.	22543B	Screw, for stitch regulating	1
68.	56336	Feed Crank Stud	1
69.	22798C	Screw, for feed crank stud	1
70.	56322C	Head Plate	1
71.	22525A	Screw, for head plate	4
72.	56336K	Feed Crank Link Assembly	1
73.	56336C	Ferrule	1
74.	51236J	Link Pin	1
75.	WO-3	1/8" Oil Wick	1
76.	269	Nut, for feed crank stud	1
77.	21657E	Washer, for feed crank stud	1



P203-94

**LIFTER LEVER PARTS
(ALL GAUGES)**

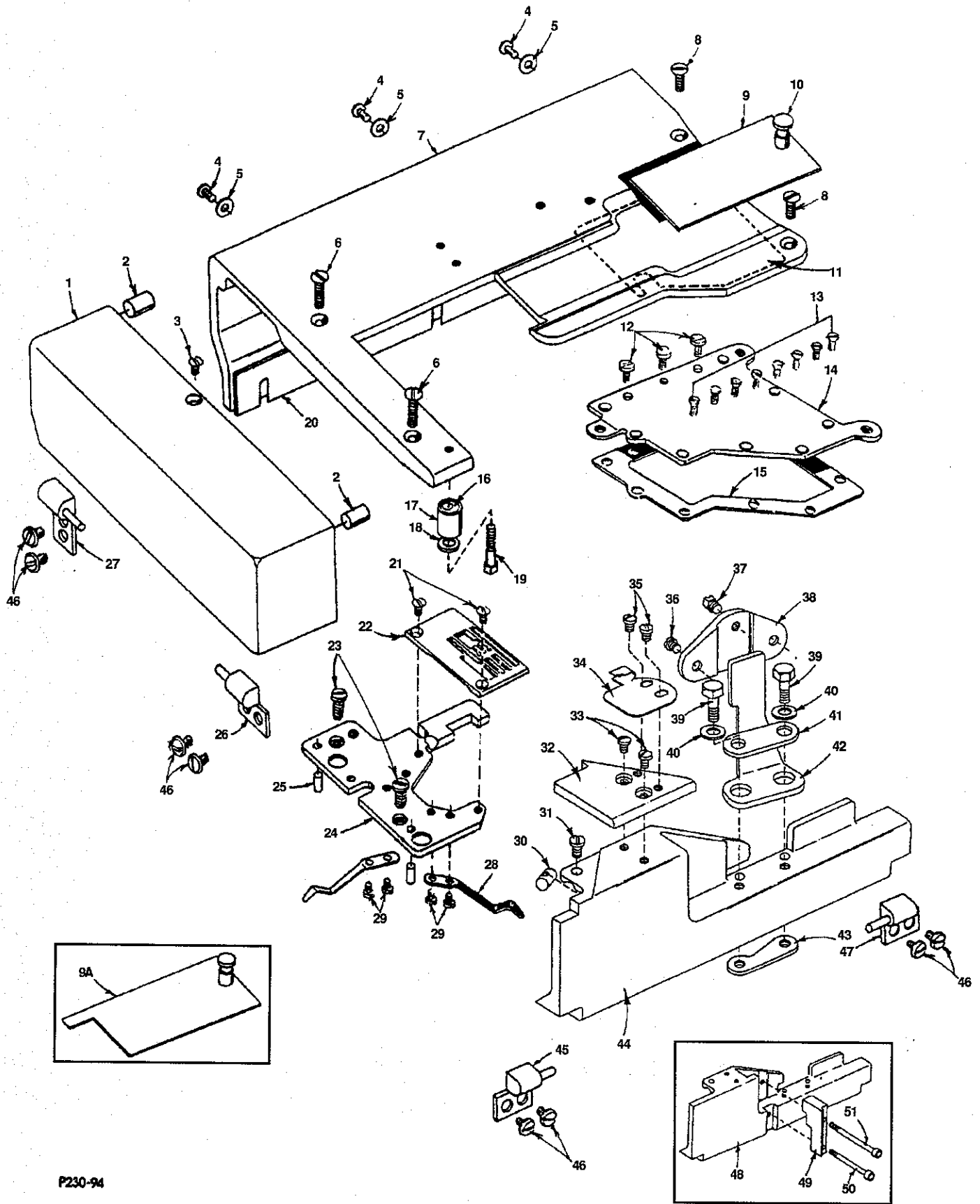
Ref. No.	Part No.	Description	Amt. Req.
1.	-----	Presser Foot (see pages 43, 45, 47)	1
2.	52888B	Collar, for presser bar stop, for all Styles except FS122C209MX, FS122C209MXA, FS123C209MX, FS123C209MXA	1
3.	22562	Screw, for collar	2
4.	51257K	Presser Bar, for Styles FS122C200MB, FS122C203MB, FS122C210MB, FS122C253MB, FS123C200MV, FS132C210MV, FS133C200MW	1
-	51257Y	Presser Bar, for Styles FS122C209MX, FS122C209MXA, FS123C209MX, FS123C209MXA, FS132C209MV, FS132C209MVA, FS133C209MV, FS133C209MVA	1
5.	51257M	Presser Bar Guide	1
6.	22596F	Screw	1
7.	22892E	Screw, for presser bar guide	1
8.	34883	Lifter Lever Link	1
9.	99392A	Screw, for lever link	1
10.	57883	Spacer Bushing	1
11.	22557G	Screw	1
12.	56383D	Spring, for connecting rod	1
13.	34383BA	Lifter Lever	1
14.	57893B	Head Oil Tube Clamp	1
15.	51256C	Presser Bar Spring	1
16.	56356A	Regulator Spring, for presser spring	1
17.	56383AB	Connecting Rod	1
18.	39552C	Washer, for lifter lever	1
19.	660-207	"O" Ring, for lifter lever	1
20.	51283H	Lifter Lever	1
21.	53783N	Lifter Lever, right	1
22.	22537	Screw	1
23.	21657Y	Lifter Lever Connection, tension release	1
24.	402	Screw, for guide	1
25.	22596	Screw	1
26.	21657W	Lifter Lever Shaft	1
27.	660-283A	Retainer Washer	1



P205-94

THREAD TENSION

Ref. No.	Part No.	Description	Amt. Req.
1.	29477NG	Thread Tension Assembly, 3 thread, for Styles FS122C200MB, FS122C203MB, FS122C209MXA, FS122C209MX, FS122C210MB, FS122C253MB, all gauges ...	1
2.	56392L	Knob, for needle (red)	1
3.	B3112704000	Ferrule, tension spring	3
4.	B3101804000	Spring, for needle (red)	2
-	B3103804000	Spring, for looper (blue)	1
5.	56392H	Shield, for spring	3
6.	B3120352000	Tension Disc Felt	3
7.	B3126012000	Tension Disc	6
8.	B3120704000	Tension Disc Felt	3
9.	56392G	Tension Post	3
10.	57892K	Eyelet, for tension thread	3
11.	NS6110420SP	Nut	3
12.	57865	Lead-In Thread Guide	3
13.	57892L	Support, for tension post	1
14.	21657AP	Separator, for tension disc	1
15.	56392M	Knob, for looper (blue)	1
16.	56392P	Vibration Damper	1
17.	56392L	Knob, for needle (red)	1
18.	29477NH	Thread Tension Assembly, 4 thread, for Styles FS132C200MV, FS132C209MV, FS132C209MVA, FS132C210MV, all gauges	1
19.	56392M	Knob, for spreader (blue)	1
20.	B3112704000	Ferrule, tension spring	4
21.	B3103804000	Spring, for spreader (blue)	1
-	B3101804000	Spring, for needle (red)	2
22.	56392H	Shield, spring	4
23.	B3120352000	Tension Disc Felt	4
24.	B3126012000	Tension Disc	8
25.	B3120704000	Tension Disc Felt	4
26.	56392G	Tension Post	4
27.	57892K	Eyelet, for tension thread	4
28.	NS6110420SP	Nut	4
29.	57865	Lead-In Thread Guide	4
30.	57892L	Support, for Tension Post	4
31.	21657AP	Separator, for tension disc	1
32.	56392M	Knob, for looper (blue)	1
33.	56392P	Vibration Damper	1
34.	56392L	Knob, for needle (red)	2
35.	29477NF	Thread Tension Assembly, 5 thread, for Styles FS123C209MX, FS123C209MXA, FS133C200MW, FS133C209MV, FS133C209MVA .060 gauge	1
36.	56392M	Knob, for spreader (blue)	1
37.	B3112704000	Ferrule, for tension spring	5
38.	B3103804000	Spring, for spreader (blue)	2
-	B3101804000	Spring, for needle (red)	3
39.	56392H	Shield, spring	5
40.	B3120352000	Tension Disc Felt	5
41.	B3126012000	Tension Disc	10
42.	B3120352000	Tension Disc Felt	5
43.	56392G	Tension Post	5
44.	57892K	Eyelet, for tension thread	5
45.	NS6110420SP	Nut	5
46.	57865	Lead-In Thread Guide	5
47.	57892L	Support, for tension post	1
48.	21657AP	Separator, for tension disc	1
49.	56392M	Knob, for looper (blue)	1
50.	56392L	Knob, for needle (red)	3

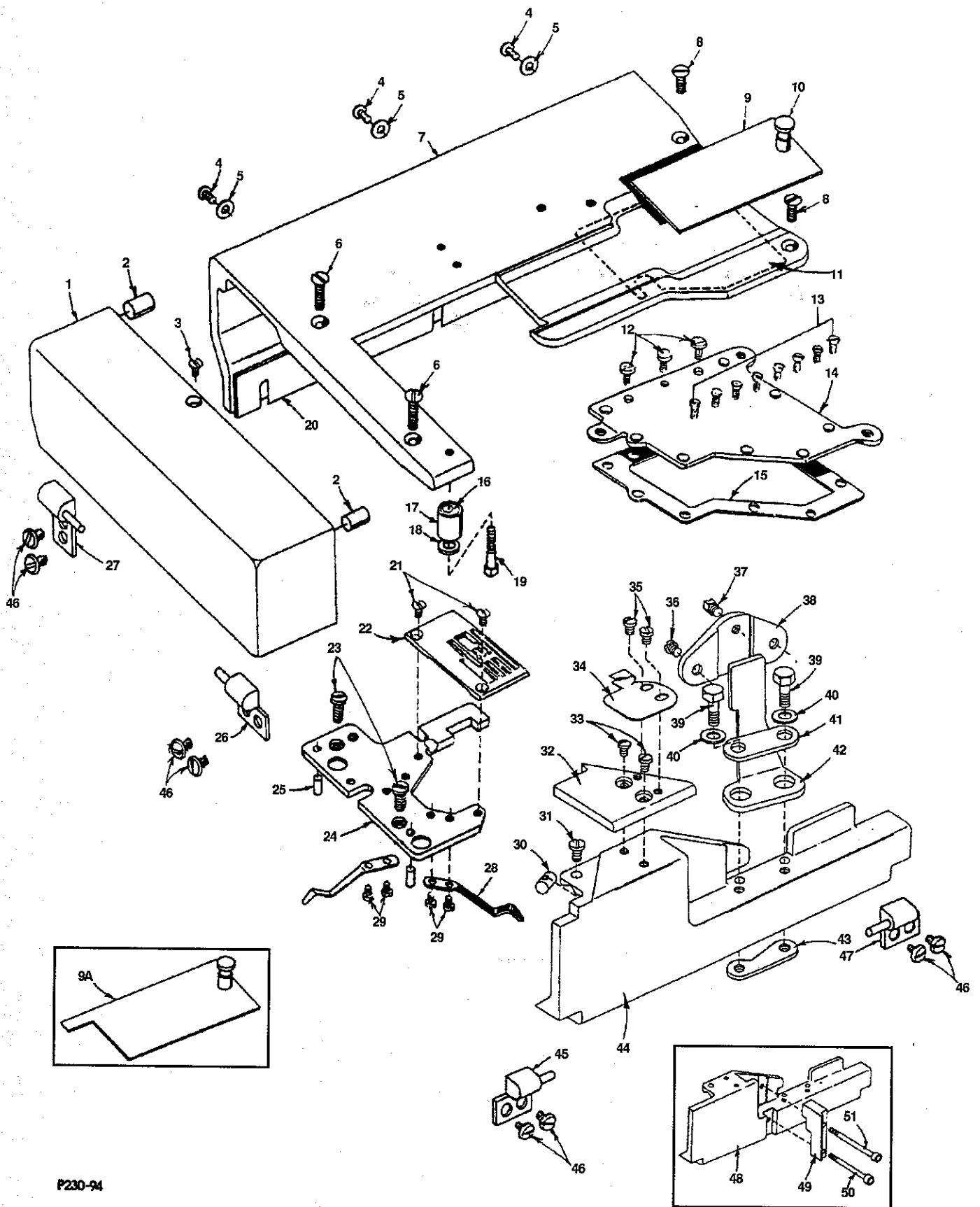


P230-94

**COVERS & MISCELLANEOUS PARTS
(ALL GAUGES)**

Ref. No.	Part No.	Description	Amt. Req.
1.	52882AL	End Cover	1
2.	660-1001	Rubber Grommet	4
3.	87A	Screw	1
4.	22773A	Screw	3
5.	60038K	Washer	3
6.	80	Screw, for cloth plate	2
7.	52801K	Cloth Plate, for Styles FS122C200MB, FS122C203MB, FS122C210MB, FS122C253MB, FS132C200MV, FS132C210MV, FS133C200MW	1
8.	22839C	Screw, for cloth plate	2
9.	52802H	Cloth Plate Slide Cover, for Styles FS122C209MX, FS123C209MX	1
9A.	52802G	Cloth Plate Slide Cover, for Styles FS122C200MB, FS122C203MB, FS122C210MB, FS132C200MV, FS132C210MV, FS133C200MW	1
-	52802K	Cloth Plate Slide Cover, for Style FS122C253MB	1
10.	660-1004	Screw, for panel	1
11.	57882N	Pad, sound damping, for Styles FS122C200MB, FS122C203MB, FS122C210MB, FS122C253MB	1
12.	22585A	Screw	3
13.	22524	Screw	8
14.	56382G	Oil Resistant Top Cover	1
15.	56382H	Gasket	1
16.	50382T	Front Cover Stop	1
17.	50393W	Rubber Bumper	1
18.	53634C	Washer	1
19.	22519J	Screw	1
20.	57894E	Oil Shield	1
21.	87	Screw, for throat plate	2
22.	-----	Throat Plate (see pages 43, 47)	1
23.	22839	Screw, for throat plate support	2
24.	52880A	Throat Plate Support, for Styles FS122C200MB, FS122C203MB, FS122C210MB, FS122C253MB, FS132C200MV, FS132C210MV, FS133C200MW	1
-	660-1008	Rubber Grommet	2
25.	51280J	Pin	2
26.	57885	Hinge Bracket	1
27.	57885B	Hinge Bracket	1
28.	43281K	Spring, for hinge bracket	2
29.	90	Screw	4
30.	57885A	Spring Pin, all Styles except FS122C209MXA, FS123C209MXA	1
31.	22564	Screw	1

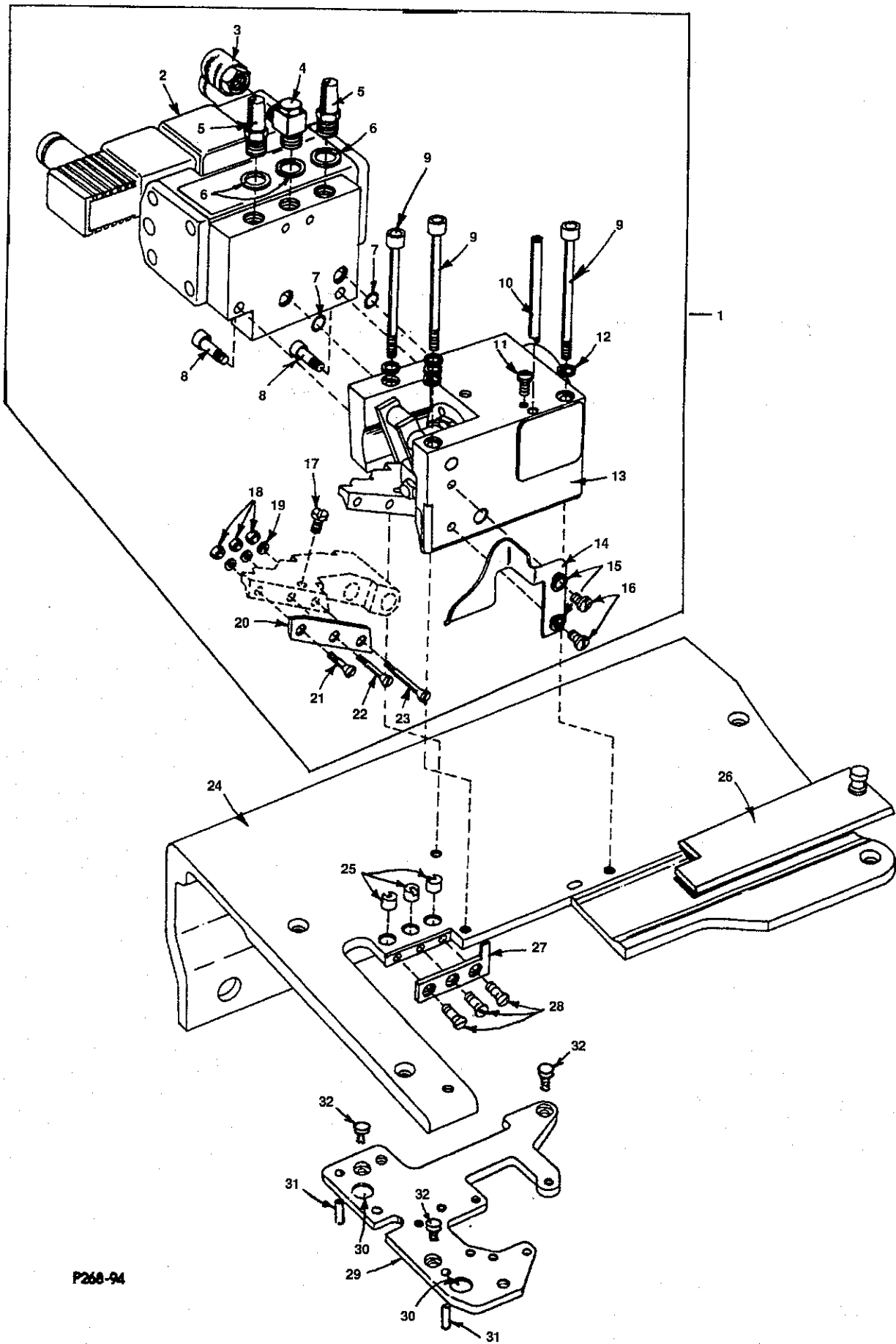
32. thru 51. See following page



P230-94

**COVERS & MISCELLANEOUS PARTS (CONT.)
(ALL GAUGES)**

Ref. No.	Part No.	Description	Amt. Req.
1. thru 31. See preceding page			
32.	52864X	Insert, for Styles FS122C200MB, FS122C203MB, FS122C210MB, FS122C253MB, FS132C200MV, FS132C210MV, FS133C200MW	1
-	52864AA	Insert, for Styles FS122C209MX, FS122C209MXA, FS122C253MB, FS123C209MX, FS123C209MXA, FS132C209MV, FS132C209MVA, FS133C209MV, FS133C209MVA	1
-	52864AB	Insert, for Style FS122C253MB	1
33.	90	Screw	2
34.	50303A	Edge Guide	1
35.	22561	Screw	2
36.	25CC	Screw	2
37.	22852G	Screw	1
38.	23432B	Folder Clamp	1
39.	T38	Screw	2
40.	53634C	Washer	2
41.	57864B	Clamp Plate	1
42.	52864W	Folder Support Bracket	1
43.	57864A	Clamp Plate	1
44.	52882AJ	Swing Down Cover	1
45.	57885C	Hinge Bracket, left	1
46.	22848	Screw, for hinge	8
47.	57885D	Hinge Bracket, right	1
48.	52882AR	Swing Down Cover, for Style FS122C253MB	1
49.	23306BM	Mounting Bracket, for Style FS122C253MB	1
50.	22653B40	Screw, short, for Style FS122C253MB	1
51.	22653B48	Screw, long, for Style FS122C253MB	1

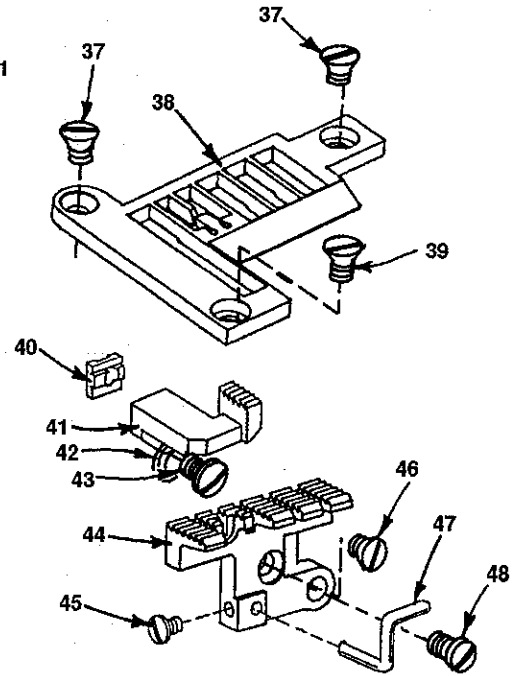
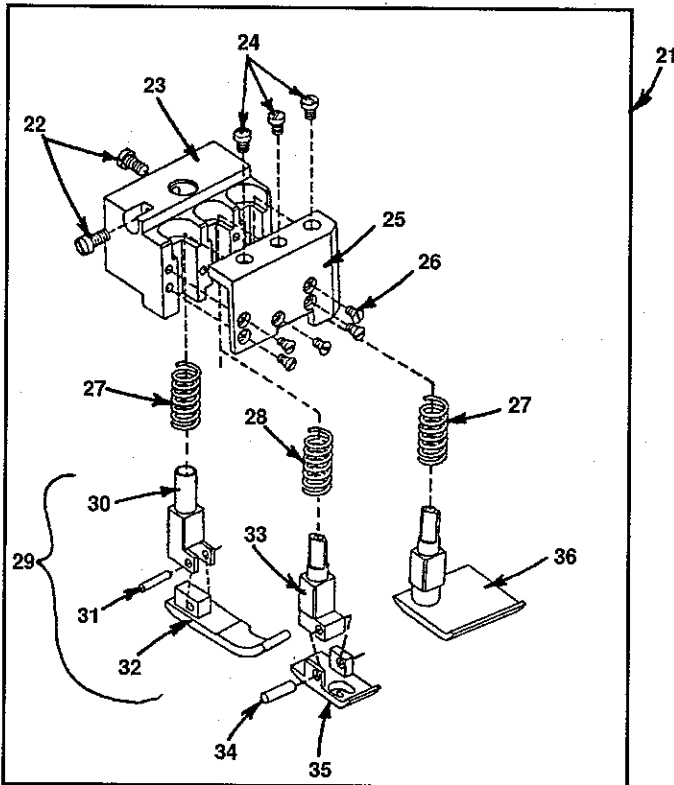
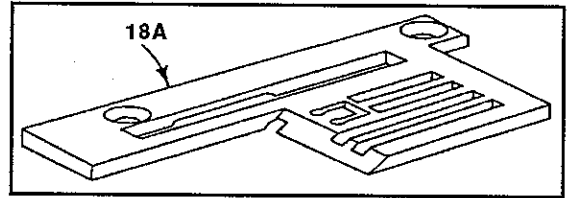
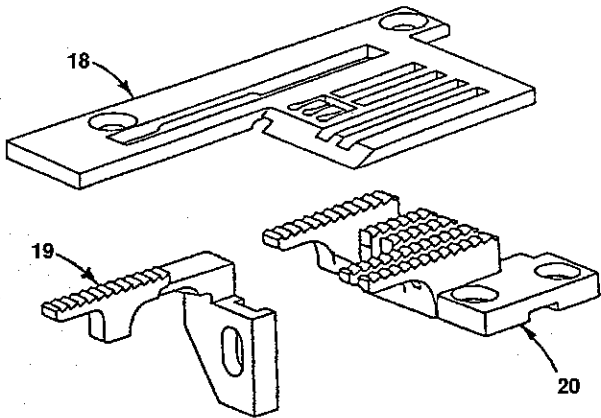
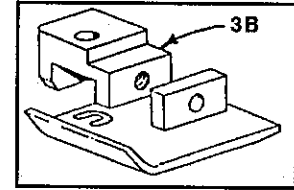
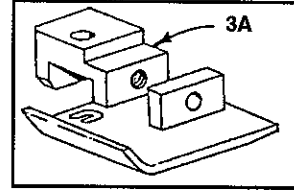
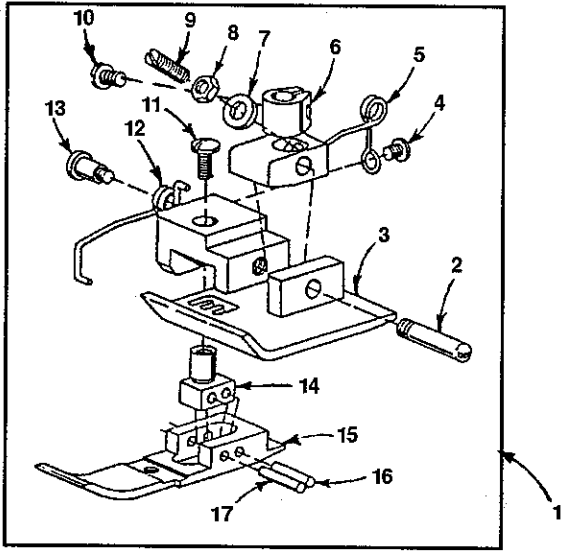


P268-94

**FAST ACTION TAPE CUTTER, THROAT PLATE SUPPORT & COVERS
FOR STYLES**

FS122C209MX, FS122C209MXA, FS123C209MX, FS123C209MXA, FS132C209MV,
FS132C209MVA, FS133C209MV, FS133C209MVA (ALL GAUGES)

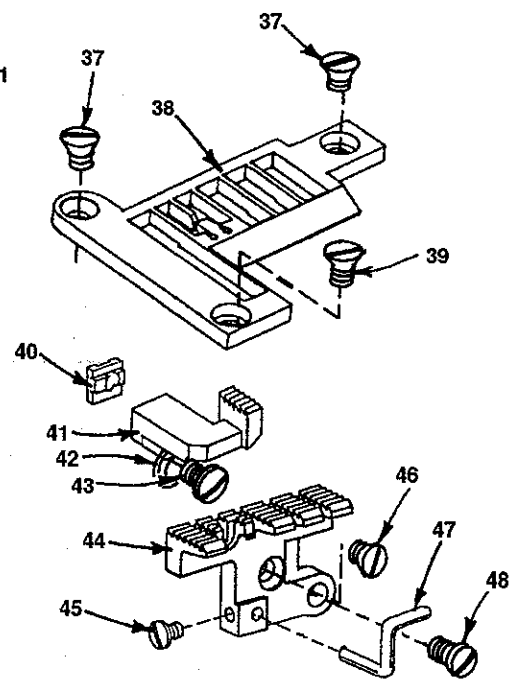
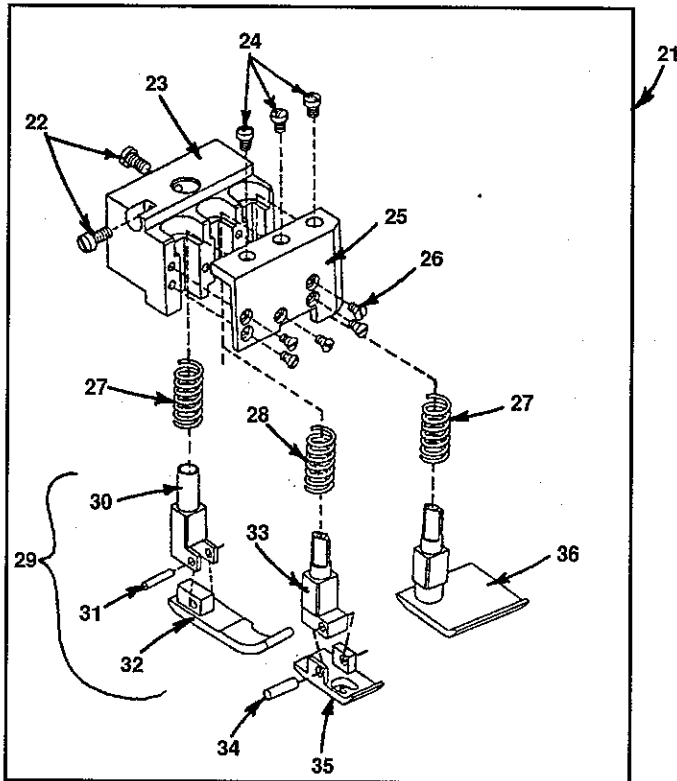
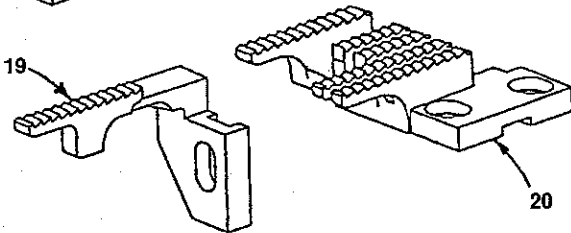
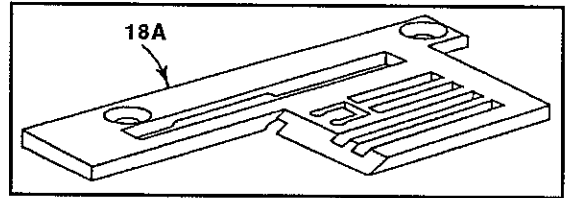
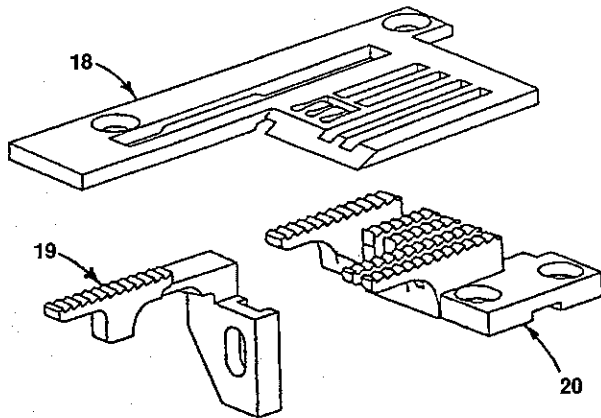
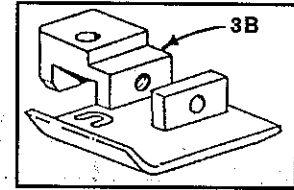
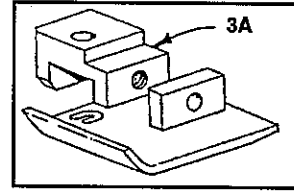
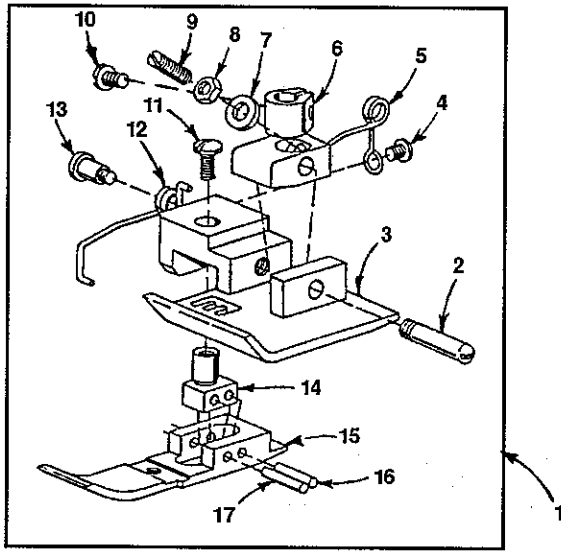
Ref. No.	Part No.	Description	Amt. Req.
1.	29933AAA	Tape Cutter Assembly	1
2.	92899DA	Connection Plate and Valve	1
-	999-199A	Rapid Action Hose Coupling	1
3.	999-205H	Plug In Nipple	1
4.	999-182	Swivel Elbow	1
5.	999-140	Muffler	2
6.	999-149	Gasket	3
7.	999-93	Gasket	2
8.	95424A	Screw	2
9.	95406B	Screw	3
10.	99702E	Eccentric Pin	1
11.	95169	Screw	1
12.	8372A	Washer	5
13.	29933A	Cutter Assembly	1
14.	57849F	Knife Guard	1
15.	20	Washer	2
16.	95157	Screw	2
17.	22585C	Screw	1
18.	95259A	Nut	3
19.	95956	Washer	3
20.	99670MA	Knife, upper	1
21.	99316B	Screw	1
22.	99316C	Screw	1
23.	99316D	Screw	1
24.	52801L	Cloth Plate	1
25.	99702D	Knife Clamp, lower	3
26.	52802H	Cloth Plate Slide	1
27.	99699M	Knife, lower	1
28.	99316A	Screw	3
29.	52880B	Throat Plate Support	1
30.	660-1008	Rubber Grommet	2
31.	51280J	Pin	2
32.	22839	Screw	3



P078-93

PRESSER FOOT, THROAT PLATE & FEED DOG PARTS

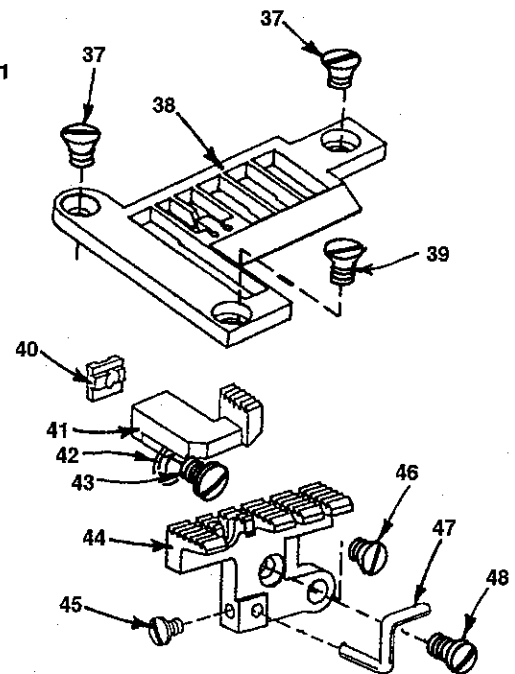
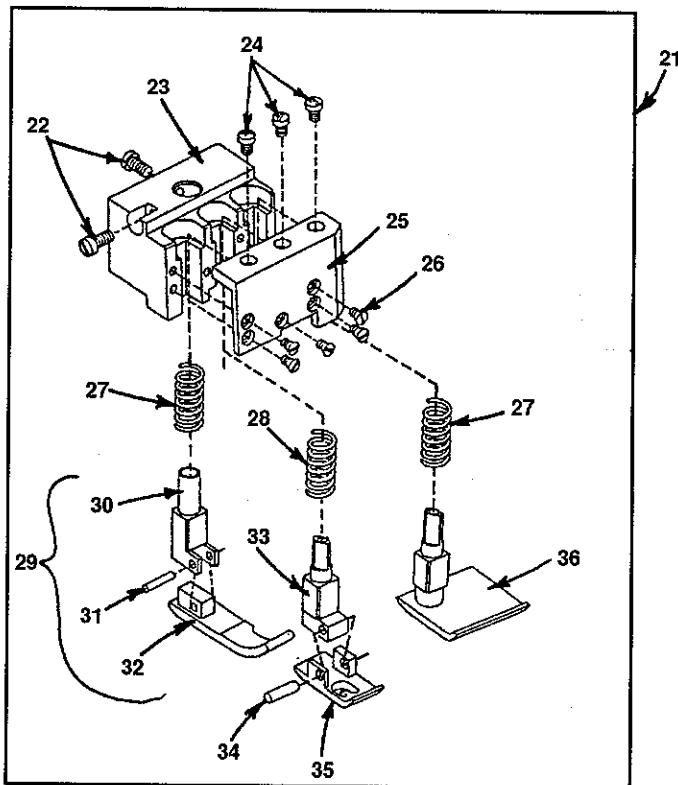
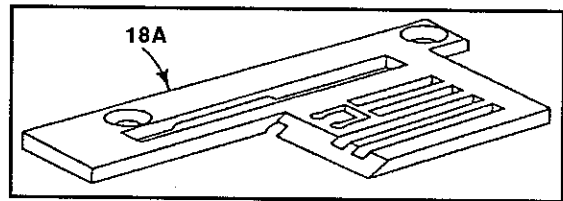
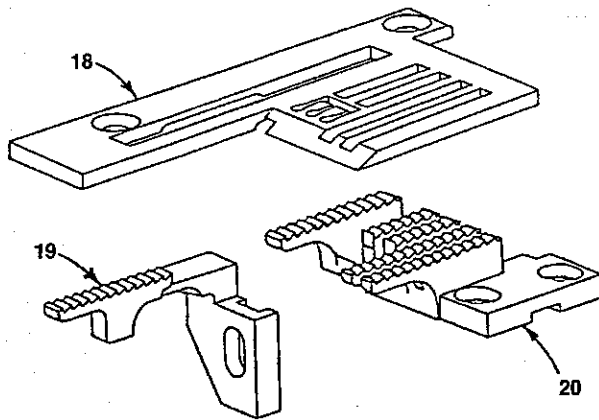
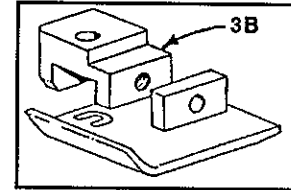
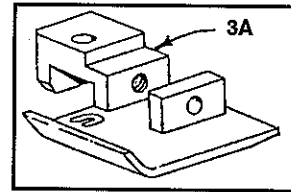
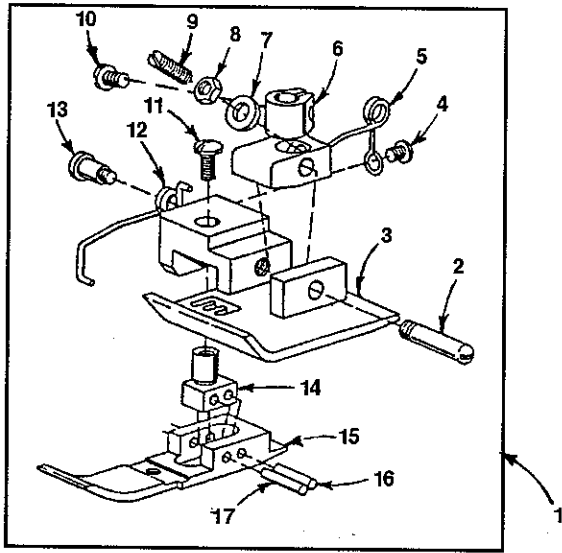
Ref. No.	Part No.	Description	Amt. Req.
1.	50320V16	Presser Foot, for Style FS133C200MW, .060 gauge	1
-	50320U8	Presser Foot, for Styles FS122C200MB, FS122C203MB, FS122C210MB, FS122C253MB, FS132C200MV, FS132C210MV, .032 gauge	1
-	50320U12	Presser Foot Assembly, for Styles FS122C200MB, FS122C203MB, FS122C210MB, FS122C253MB, FS132C200MV, FS132C210MV, .040, .044 gauge	1
2.	22799B	Screw, hinge	1
3.	50330BN16	Bottom, Presser Foot for Style FS133C200MW, .060 gauge	1
3A.	50330BN8	Bottom, presser foot, for Styles FS122C200MB, FS122C203MB, FS122C210MB, FS122C253MB, FS132C200MV, FS132C210MV, .032 gauge	1
3B.	50330BN12	Bottom, presser foot, for Styles FS122C200MB, FS122C203MB, FS122C210MB, FS122C253MB, FS132C200MV, FS132C210MV, .040, .044 gauge	1
4.	605	Screw	1
5.	97109	Spring	1
6.	34730H	Presser Foot Shank	1
7.	51959E	Nut	1
8.	51430F	Nut	1
9.	22565E	Screw	1
10.	91	Screw	1
11.	187A	Screw	1
12.	52830G	Spring	1
13.	57WD	Screw	1
14.	G65-181	Plunger	1
15.	50330BP16	Yielding Section, for Style FS133C200MW, .060 gauge	1
-	50330BP8	Yielding Section, for Styles FS122C200MB, FS122C203MB, FS122C210MB, FS122C253MB, FS132C200MV, FS132C210MV, .032 gauge	1
-	50330BP12	Yielding Section, for Styles FS122C200MB, FS122C203MB, FS122C210MB, FS122C253MB, FS132C200MV, FS132C210MV, .040, .044 gauge	1
16.	96651	Roll Pin	1
17.	96532	Roll Pin	1
18.	34724XX16	Throat Plate, for Style FS133C200MW, .060 gauge	1
18A.	34724XX8	Throat Plate, for Styles FS122C200MB, FS122C203MB, FS122C210MB, FS123C253MB, FS132C200MV, FS132C210MV, .032 gauge	1
-	34724XX10	Throat Plate, for Styles FS122C200MB, FS122C203MB, FS122C210MB, FS122C253MB, FS132C200MV, FS132C210MV, .040 gauge	1
-	34724XX12	Throat Plate, for Styles FS122C200MB, FS122C203MB, FS122C210MB, FS122C253MB, FS132C200MV, FS132C210MV, .044 gauge	1
19.	57826F	Differential Feed Dog, for Style FS133C200MW, .060 gauge	1
-	57726A	Differential Feed Dog, for Styles FS122C200MB, FS122C203MB, FS122C210MB, FS122C253MB, FS132C200MV, FS132C210MV, all gauges	1
20.	57705W	Main Feed Dog, for Styles FS122C200MB, FS122C203MB, FS122C210MB, FS122C253MB, FS132C200MV, FS132C210MV, all gauges	1
21. thru 48. See following pages			



P078-93

PRESSER FOOT, THROAT PLATE & FEED DOG PARTS (CONT.)

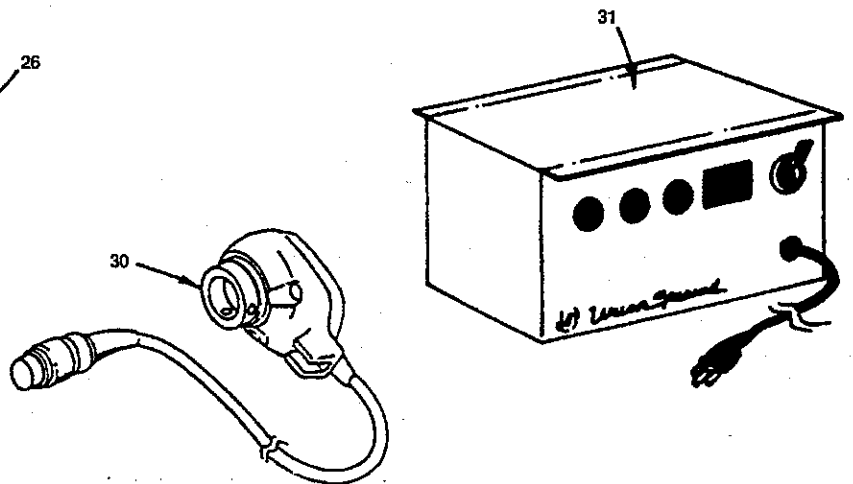
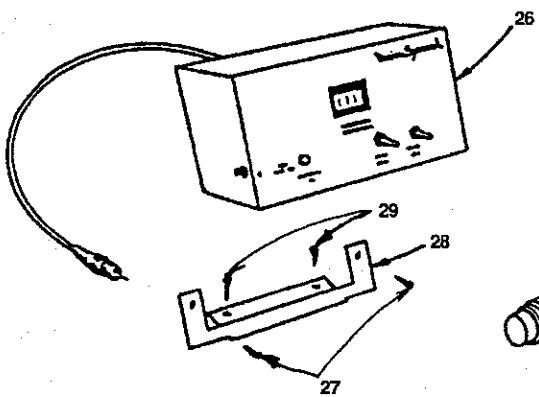
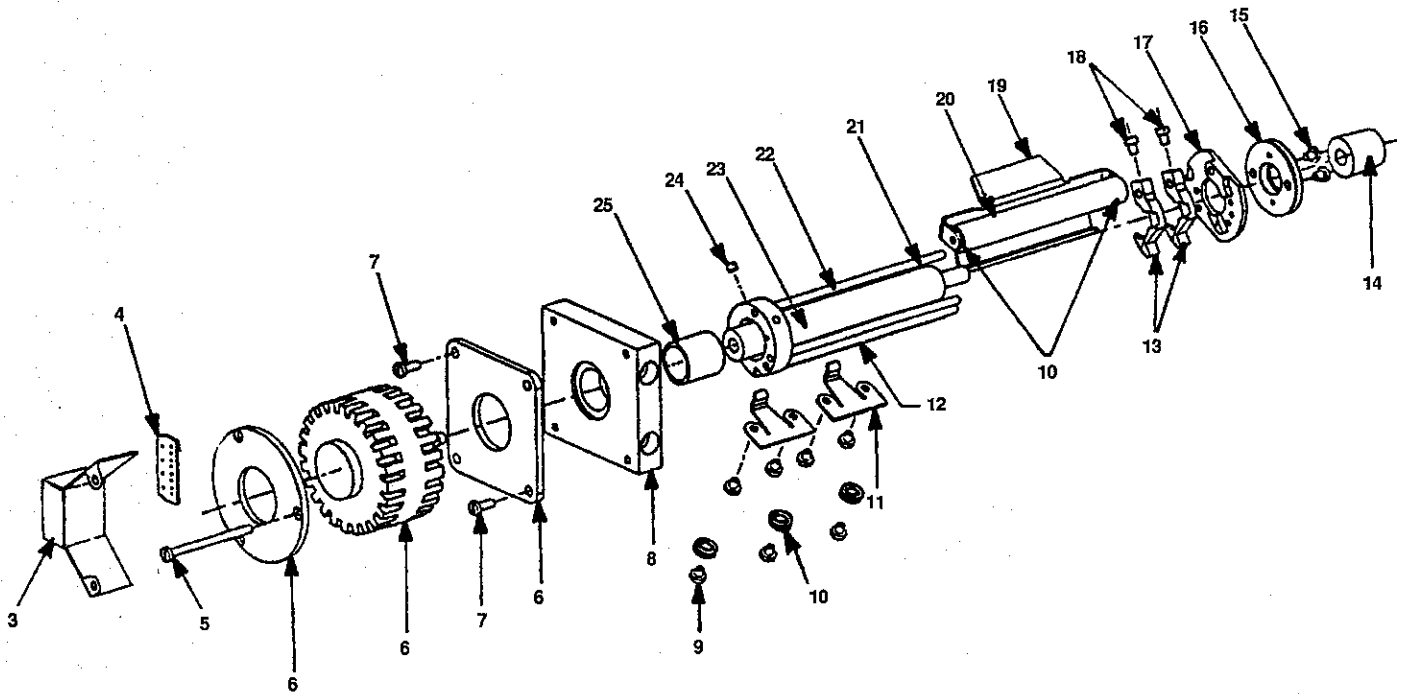
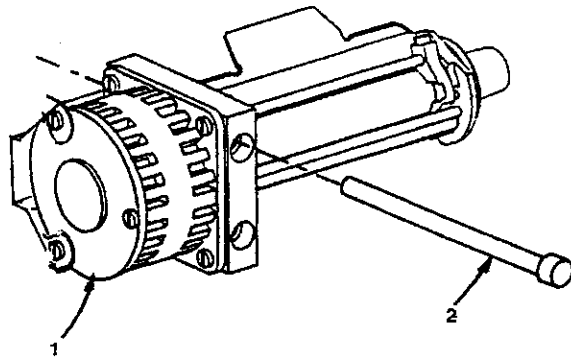
Ref. No.	Part No.	Description	Amt. Req.
1. thru 20. See preceding page			
21.	57820B032	Presser Foot, for Styles FS122C209MX, FS122C209MXA, FS132C209MV, FS132C209MVA, .032 gauge	1
-	57820B044	Presser Foot, for Styles FS122C209MX, FS122C209MXA, FS132C209MV, FS132C209MVA, .040, .044 gauge	1
-	57820B060	Presser Foot, for Styles FS123C209MX, FS123C209MXA, FS133C209MV, FS133C209MVA, .060 gauge	1
22.	77B	Screw	2
23.	A10120L	Presser Foot Shank	1
24.	22798A	Screw	3
25.	A10120K	Cover	1
26.	99316	Screw	5
27.	57830T	Spring	2
28.	57830V	Spring	1
29.	57830E	Presser Foot Yield, left, for Styles FS122C209MX, FS122C209MXA, FS132C209MV, FS132C209MVA, .032 gauge	1
-	57830F	Presser Foot Yield, left, for Styles FS122C209MX, FS122C209MXA, FS132C209MV, FS132C209MVA, .040, .044 gauge	1
-	57830D	Presser Foot Yield, left, for Styles FS123C209MX, FS123C209MXA, FS133C209MV, FS133C209MVA, .060 gauge	1
30.	57830N	Guide	1
31.	57830M	Pin	1
32.	57830S	Presser Foot Bottom Yielding Section, hinged, for Styles FS122C209MX, FS122C209MXA, FS132C209MV, FS132C209MVA, .032 gauge	1
-	57830R	Presser Foot Bottom Yielding Section, hinged, for Styles FS122C209MX, FS122C209MXA, FS132C209MV, FS132C209MVA, .040, .044 gauge	1
-	57830P	Presser Foot Bottom Yielding Section, hinged, for Styles FS123C209MX, FS123C209MXA, FS133C209MV, FS133C209MVA, .060 gauge	1
33.	A10120M	Presser Foot Guide	1
34.	96508	Pin	1
35.	A10135A-8	Presser Foot Bottom, for Styles FS122C209MX, FS122C209MXA, FS132C209MV, FS132C209MVA, .032 gauge	1
-	A10135A12	Presser Foot Bottom, for Styles FS122C209MX, FS122C209MXA, FS132C209MV, FS132C209MVA, .040, .044 gauge	1
-	A10135A16	Presser Foot Bottom, for Styles FS123C209MX, FS123C209MXA, FS133C209MV, FS133C209MVA, .060 gauge	1
36.	A10077H	Yielding Section	1
37. thru 48. See following page			



P078-93

PRESSER FOOT, THROAT PLATE & FEED DOG PARTS (CONT.)

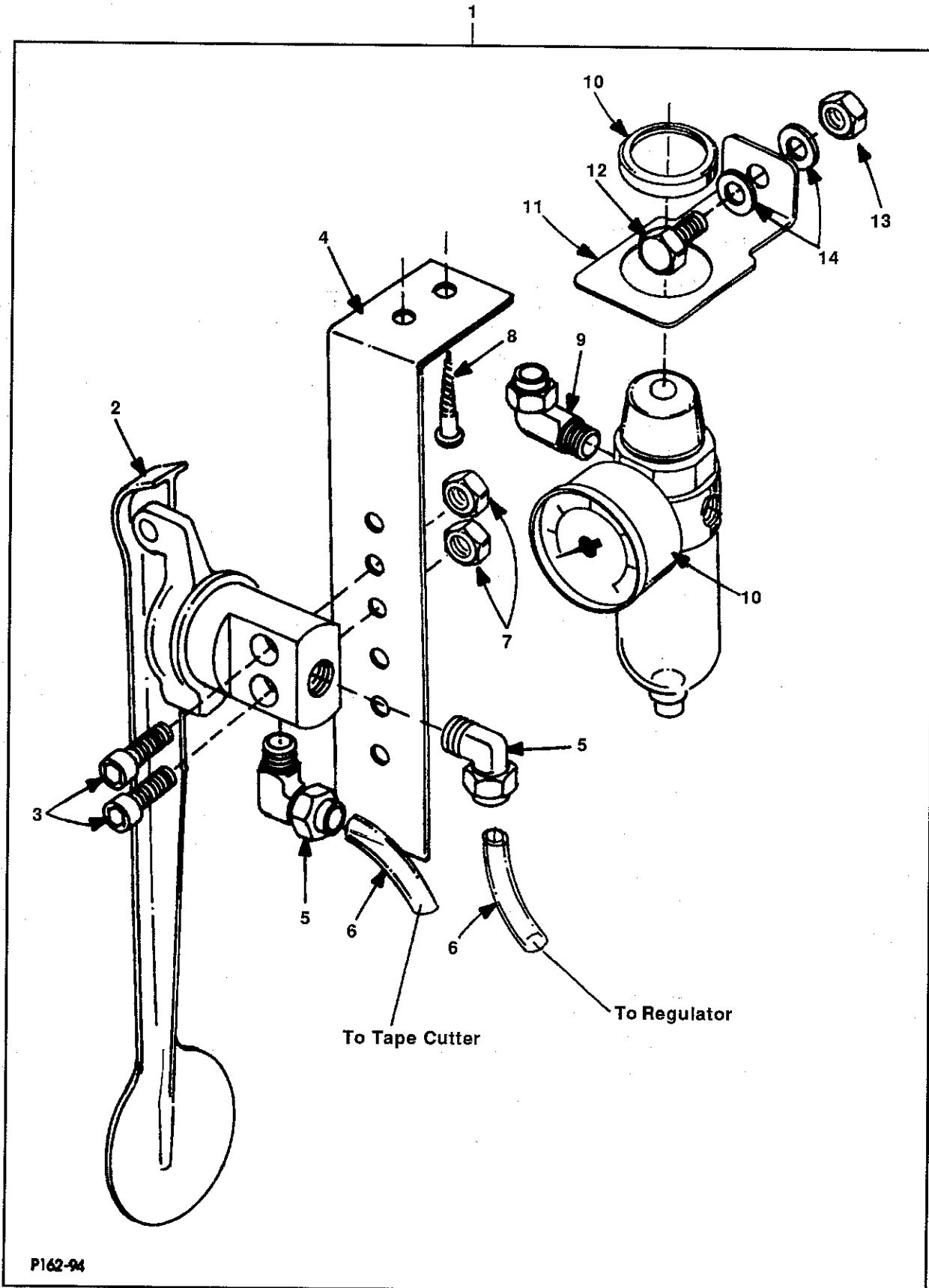
Ref. No.	Part No.	Description	Amt. Req.
1. thru 36. See preceding pages			
37.	87	Screw, for throat plate	2
38.	57824F032	Throat Plate, for Styles FS122C209MX, FS122C209MXA, FS132C209MV, FS132C209MVA, .032 gauge	1
-	57824F040	Throat Plate, for Styles FS122C209MX, FS122C209MXA, FS132C209MV, FS132C209MVA, .040 gauge	1
-	57824F044	Throat Plate, for Styles FS122C209MX, FS122C209MXA, FS132C209MV, FS132C209MVA, .044 gauge	1
-	57824F060	Throat Plate, for Styles FS123C209MX, FS123C209MXA, FS133C209MV, FS133C209MVA, .060 gauge	1
39.	90	Screw, for throat plate	1
40.	A10082A	Differential Feed Dog Holder, for Styles FS122C209MX, FS122C209MXA, FS123C209MX, FS123C209MXA, FS132C209MV, FS132C209MVA, FS133C209MV, FS133C209MVA, all gauges	1
41.	A10082	Differential Feed Dog, for Styles FS122C209MX, FS122C209MXA, FS123C209MX, FS123C209MXA, FS132C209MV, FS132C209MVA, FS133C209MV, FS133C209MVA, all gauges	1
42.	51235G	Washer	1
43.	22595	Screw, for differential feed dog	1
44.	57805A	Main Feed Dog, for Style FS133C200MW, .060 gauge	1
-	57805B	Main Feed Dog, for Styles FS123C209MX, FS123C209MXA, FS133C209MV, FS133C209MV, FS133C209MVA, all gauges	1
-	57805C	Main Feed Dog, for Styles FS122C209MX, FS122C209MXA, FS133C209MVA, .044 gauge	1
-	57805D	Main Feed Dog, for Styles FS122C209MX, FS122C209MXA, FS132C209MV, FS132C209MVA, .040 gauge	1
-	57805E	Main Feed Dog, for Styles FS122C209MX, FS122C209MXA, FS132C209MV, FS132C209MVA, .032 gauge	1
45.	77	Screw	1
46.	87	Screw, for main feed dog	1
47.	57825H	Rear Needle Guard, for Styles FS122C209MX, FS122C209MXA, FS123C209MX, FS123C209MXA, FS132C209MV, FS132C209MVA, FS133C209MV, FS133C209MVA, all gauges	1
48.	22585	Screw	1



P231-94

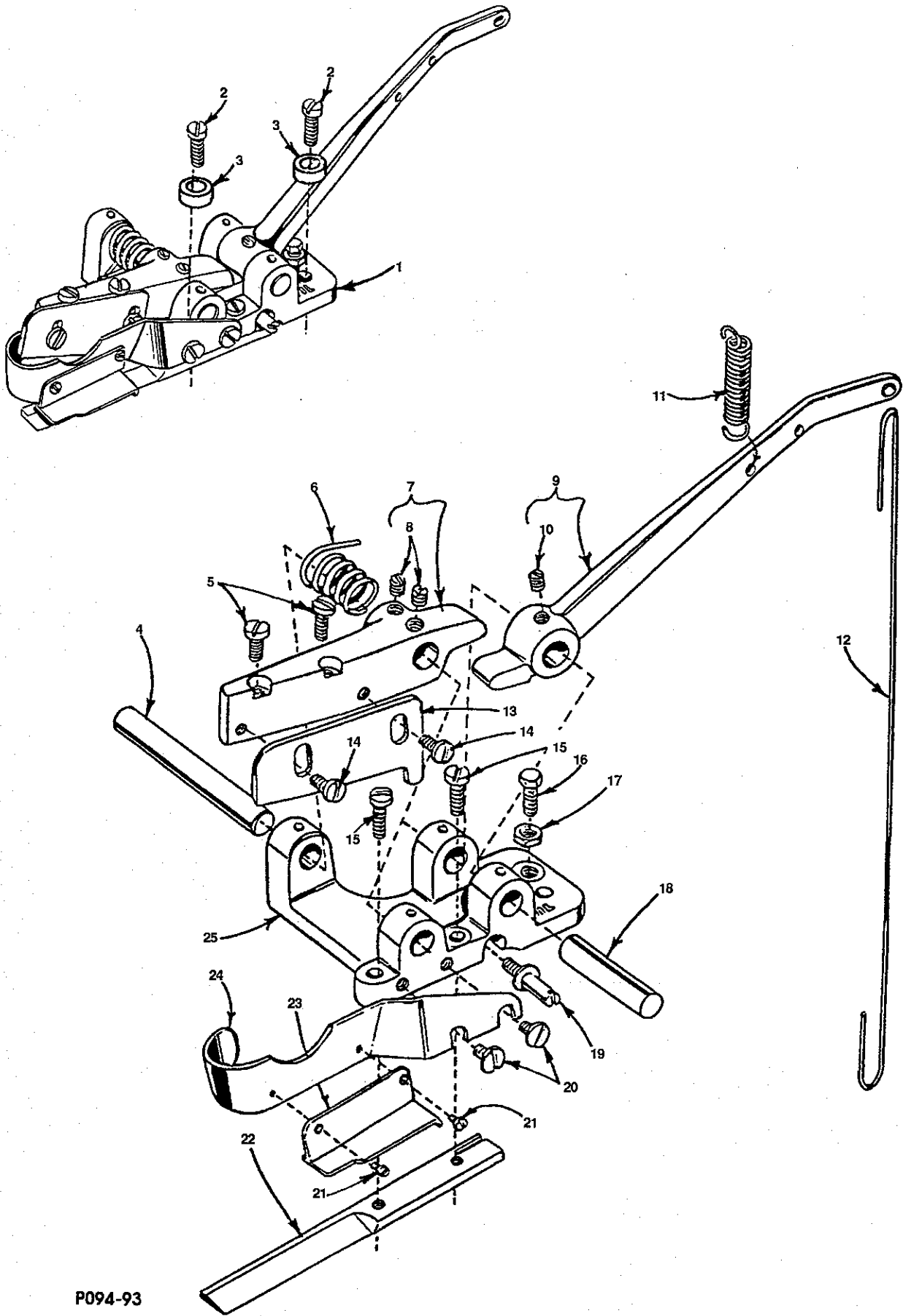
STEPPER MOTOR METERING DEVICE & SYNCHRONIZER KIT
FOR STYLE
FS122C253MB(ALL GAUGES)

Ref. No.	Part No.	Description	Amt. Req.
1.	29986LS75	Stepper Motor Metering Device	1
2.	22653B36	Mounting Screw	2
3.	35086S	Connector Bracket	1
4.	90241G	Motor Wire Connection	1
5.	95167DV	Screw M3 x 40	3
6.	V90233WC	Motor and Cable Assembly	1
7.	95166V	Screw M3 X 8	4
8.	35086WD	Mounting Plate	1
9.	22737	Screw	7
10.	95956	Washer	5
11.	99697FC	Flat Spring	2
12.	34386AB1	Stand Off	1
13.	34386B	Elastic Guide	2
14.	998-382	Knob	1
15.	25B	Screw	2
16.	34386KC	Cover	1
17.	34386KB	Cover	1
-	999-106XA	Bearing	1
-	99316	Screw	3
18.	77A	Screw	2
19.	34386CB	Roller Bracket	1
20.	34386GD	Roller	1
21.	34386AC	Knife Holder	1
22.	34386AB2	Stand Off	2
23.	34386EH	Roller	1
24.	22743	Set Screw	2
25.	35086WD1	Bushing	1
26.	670N4	Control Box	1
27.	AS12-13	Mounting Bracket	1
28.	SC-330	Screw, for mounting bracket	4
29.	SC-333A	Screw, for mounting bracket	2
30.	670M10	Synchronizer	1
31.	670N5	Logic Box	1



**PNEUMATIC KNEE ACTUATOR & REGULATOR
FOR STYLES
FS122C210MB(ALL GAUGES)**

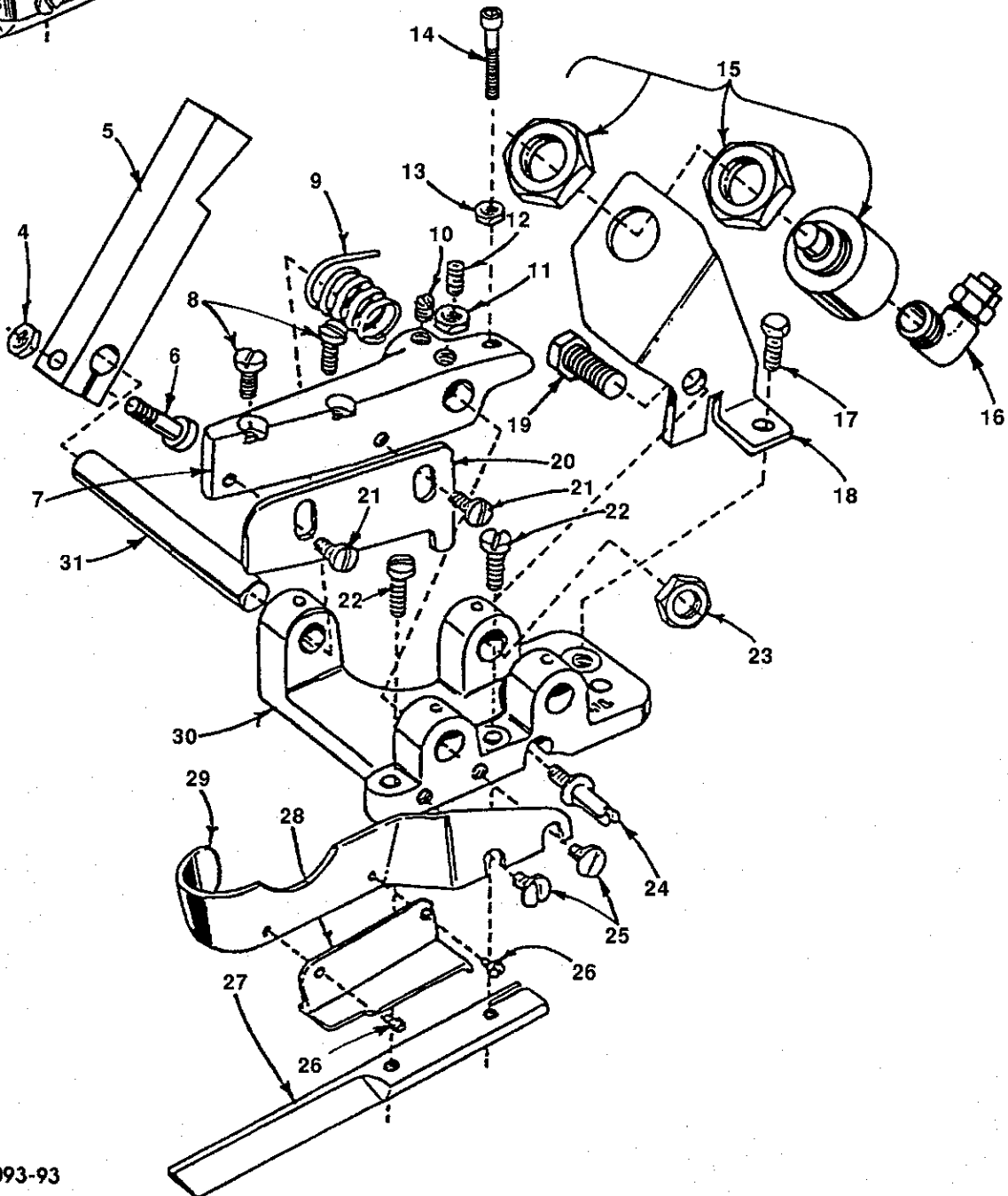
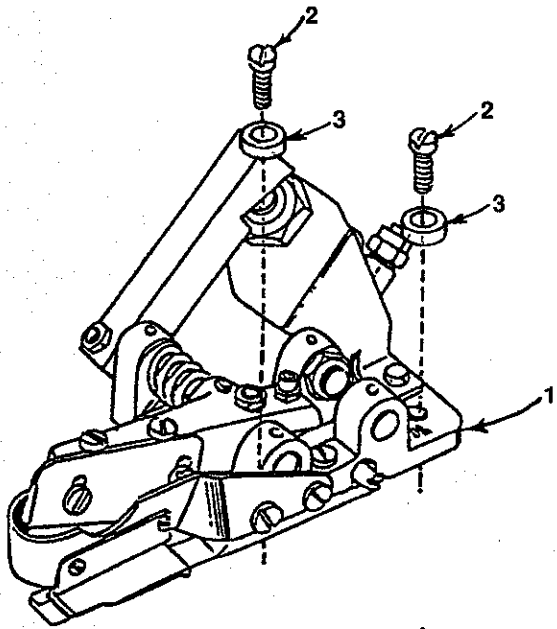
Ref. No.	Part No.	Description	Amt. Req.
1.	29480ARB	Pneumatic Knee Lift Kit	1
2.	660-434	Pneumatic Knee Lift Actuator	1
3.	22652J-14	Screw	2
4.	52875L	Mounting Bracket	1
5.	671F-3	Elbow Fitting	2
6.	671B13	Tubing (cut to suit)	1
7.	NU-11	Nut	2
8.	SC-330	Screw	2
9.	671-F10	Elbow Fitting	1
10.	671-D31	Regulator	1
11.	39583A	Mounting Bracket	1
12.	22642K-48	Bolt	1
13.	21104H	Nut	1
14.	RM3293-2	Washer	2



P094-93

MANUAL TAPE CUTTER ASSEMBLY
FOR STYLES FS122C203MB, FS122C253MB (ALL GAUGES)

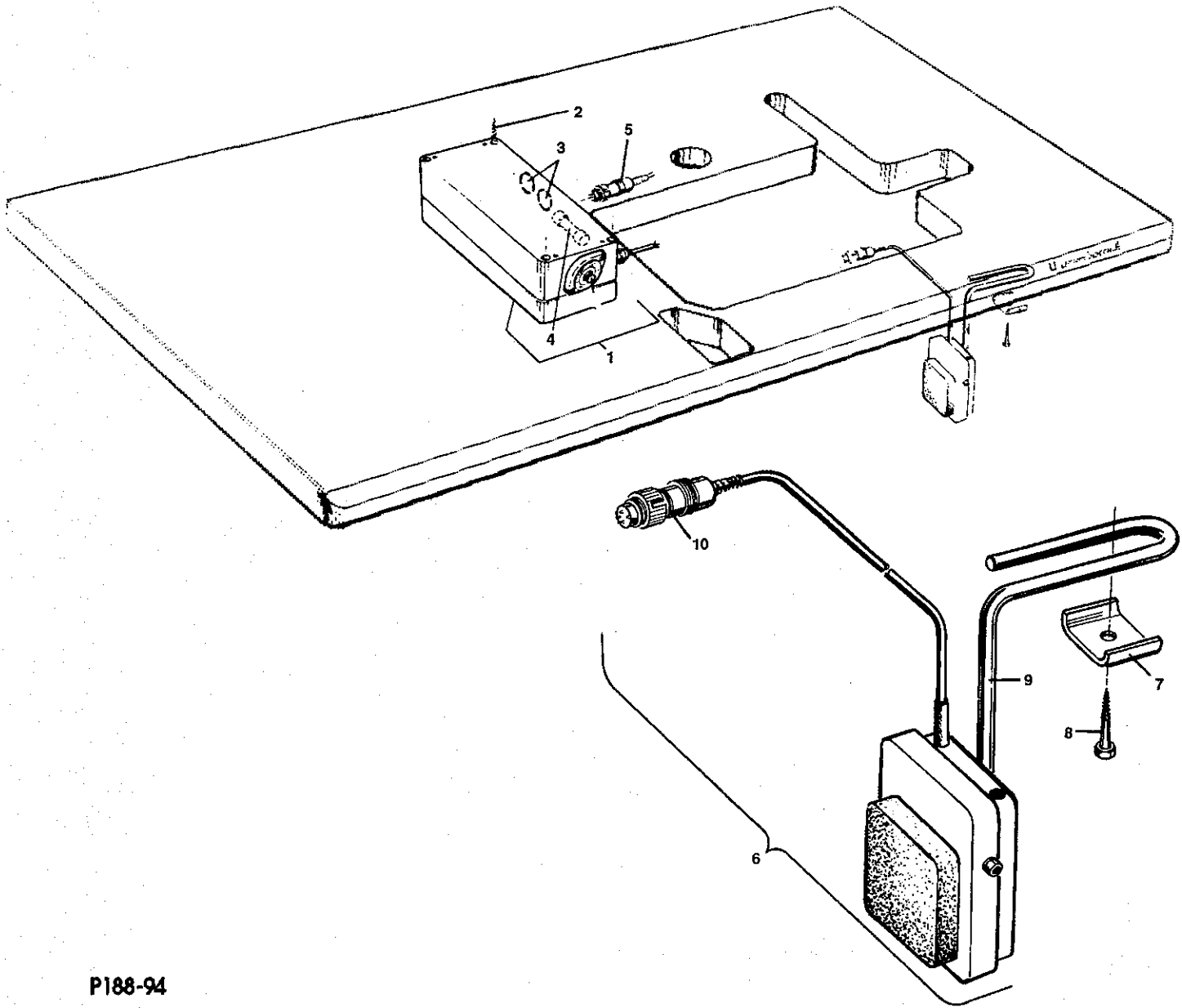
Ref. No.	Part No.	Description	Amt. Req.
1.	29486A	Tape Cutter Assembly	1
2.	136	Cutter Mounting Screw	2
3.	21212	Collar	2
4.	52875F	Shaft	1
5.	93	Screw	2
6.	52875G	Spring	1
7.	52875E	Knife Holder, upper	1
8.	95	Screw	2
9.	52875A	Operating Lever	1
10.	95	Screw	1
11.	51283G	Spring	1
12.	6-99-80	Operating Wire	1
13.	52875D	Knife Upper	1
14.	22528	Screw, for upper knife	2
15.	22596	Screw, for lower knife	2
16.	22852	Screw	1
17.	12538	Nut	1
18.	52875B	Shaft	1
19.	15447A	Adjusting Screw	1
20.	22829	Screw	2
21.	604	Screw, for Cloth Guide	2
22.	52875C	Knife, lower	1
23.	52875J	Cloth Guide	1
24.	52875H	Knife Guard	1
25.	52875	Frame	1



PD93-93

**PNEUMATIC TAPE CUTTER ASSEMBLY
FOR STYLES
FS122C210MB, FS132C210MV (ALL GAUGES)**

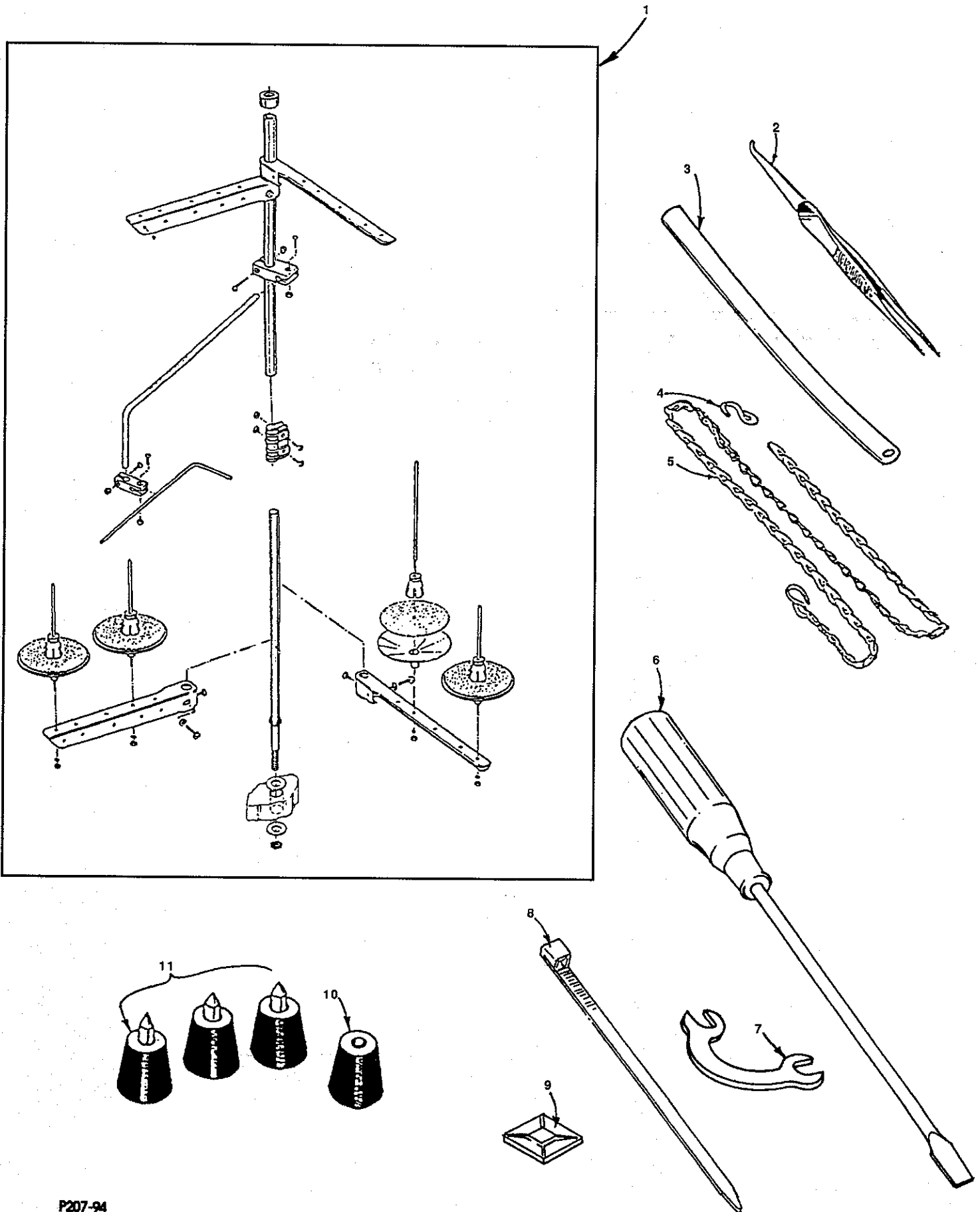
Ref. No.	Part No.	Description	Amt. Req.
1.	29486R	Tape Cutter Assembly	1
2.	136	Cutter Mounting Screw	2
3.	21212	Collar	2
4.	18	Nut	1
5.	52875T	Blade Actuating Arm	1
6.	55244G	Screw	1
7.	52875EA	Holder	1
8.	93	Screw	2
9.	52875G	Spring	1
10.	22894J	Set Screw	1
11.	12538	Nut	1
12.	22894H	Set Screw	1
13.	NU-12	Nut	1
14.	22652A-16	Screw	1
15.	671A-2	Tape Cutter Air Cylinder	1
16.	671F-3	Male Elbow	1
17.	22852	Screw	1
18.	52875S	Cylinder Mounting Bracket	1
19.	22604	Screw	1
20.	52875R	Curved Upper Knife	1
21.	22528	Screw, for upper knife	2
22.	22596	Screw	2
23.	11698L	Nut	1
24.	15447A	Adjusting Screw	1
25.	22829	Screw	2
26.	604	Screw, for cloth guide	2
27.	52875C	Lower Knife	1
28.	52875J	Cloth Guide	1
29.	52875H	Knife Guard	1
30.	52875	Frame	1
31.	52875U	Shaft	1



P188-94

**KNEE PRESS AND CONTROL BOX
FOR STYLES
FS122C209MX, FS132C209MV, (ALL GAUGES),
FS123C209MX, FS133C209MV, (.060 GAUGE)**

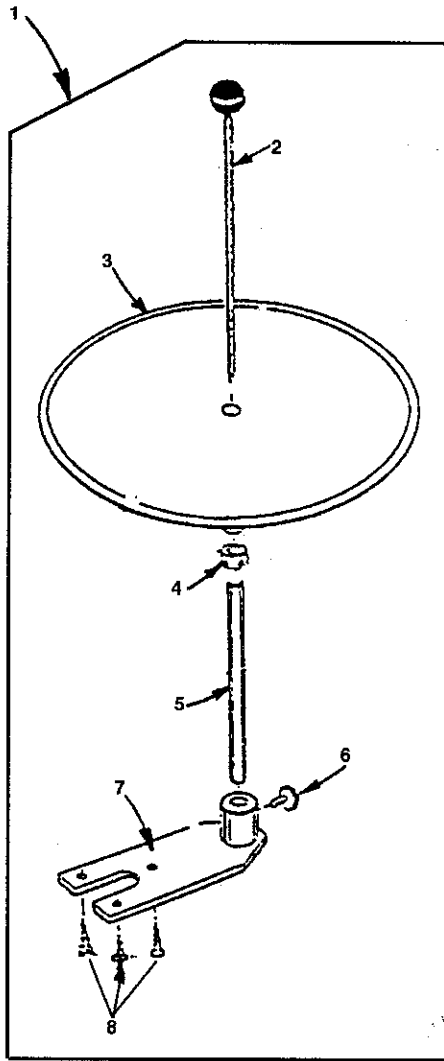
Ref. No.	Part No.	Description	Amt. Req.
1.	90235DD	Control Box	1
2.	90561V	Wood Screws	4
3.	999-123C	Plug	2
4.	998-348-0.315	Fuse	1
5.	90233AH	Cable	1
6.	998-338A	Knee Press	1
7.	998-147D	Clamp	1
8.	90561Q	Wood Screw	1
9.	998-147C	Holder Rod	1
10.	998-387M	Plug	1



P207-94

**THREAD STAND & MISCELLANEOUS ACCESSORIES
(ALL GAUGES)**

Ref. No.	Part No.	Description	Amt. Req.
1.	21101W4	Thread Stand, for Styles FS122C209MX, FS122C209MXA, FS123C209MX, FS123C209MXA, FS132C209MV, FS132C209MVA, FS133C209MV, FS133C209MVA..	1
-	21101W5	Thread Stand, for Styles FS122C200MB, FS122C203MB, FS122C210MB, FS122C253MB, FS132C200MV, FS132C210MV	1
-	21101W6	Thread Stand, for Styles FS133C200MW	1
2.	660-240	Thread Tweezer, for all Styles except FS133C200MW	1
3.	23279D	Threader, for all Styles except FS122C200MB, FS132C200MV, FS132C210MV, FS133C20MW	1
4.	660-264	"S" Hook	2
5.	421D34	Chain	1
6.	G21201	Screwdriver, for Style FS133C200MW	1
7.	TT17	Wrench, for Style FS133C200MW	1
8.	RM2871B	Cable Tie, for Style FS122C253MB	6
9.	660-870	Cable Tie Mount, for Style FS122C253MB	6
10.	51295A	Isolator	1
11.	51295B	Isolator	3
-	TT35	Looper Gauge, (sold separately, not shown)	1
-	660-457	Plastic Cover (not shown)	1
-	28604R	Oil Can (not shown)	1
-	28604W	Silicone Oil (not shown), for Styles FS122C200MB, FS122C203MB, FS122C210MB, FS122C253MB, FS132C200MV, FS132C210MV	1



P233-94

TAPE REEL ASSEMBLIES

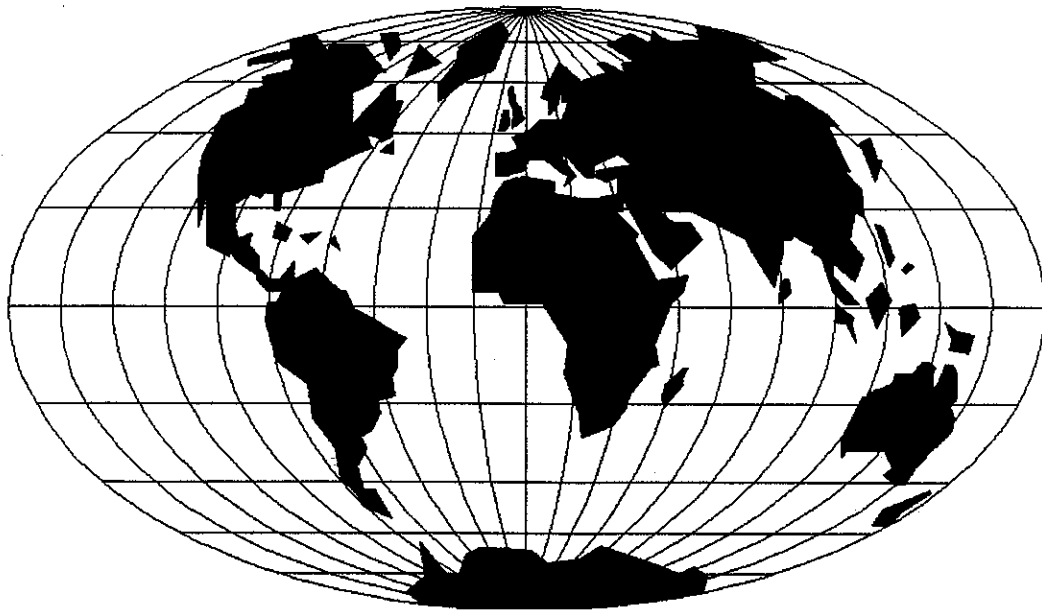
Ref. No.	Part No.	Description	Amt. Req.
1.	29480AHU	Tape Reel Assembly.....	1
2.	50322L	Support Shaft	1
3.	50392C	Tape Disc	1
4.	482C	Collar	1
-	22894C	Screw	2
5.	50322H	Shaft	1
6.	22728	Thumb Screw	1
7.	50364A	Holder	1
8.	90561K	Wood Screw	3

NUMERICAL INDEX OF PARTS

<u>Part No.</u>	<u>Page No.</u>	<u>Part No.</u>	<u>Page No.</u>	<u>Part No.</u>	<u>Page No.</u>	<u>Part No.</u>	<u>Page No.</u>	<u>Part No.</u>	<u>Page No.</u>
11698L.....	55	22593.....	29	28604R.....	59	39583A.....	51	52802K.....	37
1204002.....	23	22593A.....	29	28604W.....	59	402.....	33	52804E.....	13
12538.....	53, 55	22595.....	29, 47	28C.....	21	41332J.....	23	52825D.....	27
12934A.....	19	22596.....	33, 53, 55	29105BA.....	27	41391.....	29	52830G.....	43
136.....	53, 55	22596F.....	33	29105BB.....	19	421D34.....	59	52834N.....	29
15430L.....	23	22604.....	55	29105BC.....	19	482C.....	60	52834P.....	31
15447A.....	53, 55	22635E24.....	29	29105BD.....	25	50-216BLK.....	13	52834R.....	29
15465F.....	27	22642K-48.....	51	29126CR.....	25	50-895BLK.....	17	52835T.....	31
158B.....	13	22652A-16.....	55	29192Z.....	27	50303A.....	39	52836AA.....	29
18.....	23, 25, 27, 55	22652A12.....	21	29348AF.....	19	50320U12.....	43	52836AB.....	29
187A.....	43	22652J-14.....	51	29476LV.....	27	50320U8.....	43	52836Y.....	29
188D.....	17	22653B10.....	29	29476NZ.....	19	50320V16.....	43	52849.....	23
20.....	13, 17, 23, 27, 41	22653B36.....	49	29476RJ072.....	31	50322H.....	60	52853B.....	29
21101W4.....	59	22653B40.....	39	29476RS062.....	31	50322L.....	60	52864AA.....	39
21101W5.....	59	22653B48.....	39	29477NF.....	35	50330BN12.....	43	52864W.....	39
21101W6.....	59	22653L-8.....	19	29477NG.....	35	50330BN16.....	43	52875.....	53, 55
21104H.....	51	22728.....	60	29477NH.....	35	50330BN8.....	43	52875A.....	53
21212.....	53, 55	22729.....	23	29480AHU.....	60	50330BP12.....	43	52875B.....	53
21375CE.....	13	22729AB.....	19	29480ARB.....	51	50330BP16.....	43	52875C.....	53, 55
21657AP.....	35	22729C.....	27	29486A.....	53	50330BP8.....	43	52875D.....	53
21657E.....	31	22737.....	49	29486R.....	55	50345L.....	23	52875E.....	53
21657W.....	33	22743.....	49	29933A.....	41	50364A.....	60	52875EA.....	55
21657X.....	17	22766.....	31	29933AAA.....	41	50373CQ.....	15	52875F.....	53
21657Y.....	33	22768.....	13, 19, 21	29986LS75.....	49	50382T.....	37	52875G.....	53, 55
21695R.....	15	22768A.....	29	33174B.....	27	50392C.....	60	52875H.....	53, 55
22516.....	13, 29	22773A.....	37	33795.....	15	50392D.....	17	52875J.....	53, 55
22519C.....	29	22798A.....	45	34317.....	21	50393W.....	37	52875L.....	51
22519J.....	37	22798C.....	31	34342J.....	21	51-561BLK.....	17	52875R.....	55
22524.....	13, 37	22798C.....	31	34383BA.....	33	51-902BLK.....	17	52875S.....	55
22525A.....	31	22799B.....	43	34386AB1.....	49	51154E.....	17	52875T.....	55
22528.....	53, 55	22801.....	31	34386AB2.....	49	51216M.....	19	52875U.....	55
22537.....	33	22829.....	13, 27, 53, 55	34386AC.....	49	51216N.....	19, 27	52880A.....	37
22539AA.....	15	22839.....	37, 41	34386B.....	49	51216P.....	19	52880B.....	41
22539AB.....	15	22839C.....	13, 15, 37	34386CB.....	49	51225W.....	29, 31	52882AJ.....	39
22539R.....	17	22848.....	13, 37	34386CB.....	49	51235G.....	29, 47	52882AL.....	37
22539S.....	13	22851D.....	15	34386EH.....	49	51236J.....	27, 31	52882M.....	49
22541C.....	13, 15	22852.....	53, 55	34386GD.....	49	51240D.....	27	52883R.....	17
22542.....	15	22852G.....	39	34386KB.....	49	51244L.....	27	52888B.....	33
22543B.....	31	22874.....	27	34386KC.....	49	51244N.....	27	52904B.....	13
22547D.....	23	22882C.....	27	34724XX10.....	43	51247.....	25	52904E.....	13
22548.....	13	22889H.....	13	34724XX12.....	43	51250D.....	19	52904G.....	13
22557G.....	33	22891B.....	31	34724XX16.....	43	51250V.....	19	52916.....	25
22559G.....	19, 25	22892E.....	33	34724XX8.....	43	51254K.....	19	52923D.....	31
22560B.....	31	22894.....	60	34730H.....	43	51256C.....	33	52942AB.....	17
22561.....	39	22894AA.....	31	34758.....	15	51257AA.....	17	52942AF.....	21
22562.....	33	22894AB.....	19	34818B.....	21	51257K.....	33	52947A.....	25
22562A.....	19	22894C.....	19, 60	34831C.....	15	51257M.....	33	52951-B.....	25
22562B.....	23	22894D.....	19	34844.....	15	51257Y.....	33	52951C.....	21, 23, 25
22564.....	19, 37	22894E.....	15	34846B.....	23	51280J.....	37, 41	52952D.....	25
22564B.....	15	22894H.....	55	34847A.....	23	51283G.....	53	52958D.....	13
22565C.....	31	22894J.....	25, 55	34848.....	23	51283H.....	33	53634C.....	37, 39
22565E.....	43	22894P.....	29	34883.....	33	51295A.....	59	53758.....	13
22569B.....	17	22894Y.....	15	35086S.....	49	51295B.....	59	53783N.....	33
22569C.....	13	23279D.....	59	35086WD.....	49	51430F.....	43	54458-9.....	19
22574.....	19	23306BM.....	39	35086WD1.....	49	51745.....	27	55235D.....	25, 29
22580D.....	31	23432B.....	39	35897BV.....	17	51959E.....	43	55235E.....	25, 29
22585.....	47	23439F.....	17	39141.....	27	52336A.....	19	55244G.....	27, 55
22585A.....	13, 15, 17, 37	23439G.....	17	39236B.....	31	52708B.....	27	56190.....	17
22585C.....	15, 41	258.....	27	39236C.....	29	52801K.....	37	56315A.....	19
22586R.....	19	258A.....	17	39236V.....	31	52801L.....	41	56316.....	19
22587H.....	25	25CC.....	39	39237.....	31	52802G.....	37	56316C.....	19
22587K.....	19	269.....	27, 31	39237G.....	31	52802H.....	37, 41	56321S.....	19
		27-435BLK.....	21	39552C.....	33				
								56322B.....	31
								56322C.....	31
								56335D.....	29
								56336.....	31
								56336C.....	31
								56336D.....	31
								56336K.....	31
								56341E.....	27
								56341F.....	27
								56341G.....	27
								56341N.....	27
								56341P.....	27
								56341R.....	27
								56341S.....	27
								56341T.....	27
								56341V.....	27
								56341W.....	27
								56342K.....	21, 27
								56343C.....	19
								56343E.....	19
								56343F.....	19
								56344D.....	27
								56350D.....	19
								56350G.....	19
								56350J.....	19
								56350K.....	19
								56354D.....	19
								56356A.....	33
								56382AA.....	13
								56382AB.....	13
								56382AC.....	13
								56382AK.....	19
								56382AU.....	13
								56382AV.....	13
								56382AX.....	13
								56382C.....	13
								56382D.....	13
								56382G.....	37
								56382H.....	37
								56382J.....	13
								56382K.....	13
								56382L.....	13
								56382Y.....	13
								56383AB.....	33
								56383D.....	33
								56390.....	17
								56390E.....	17
								56390G.....	17
								56390H.....	17, 21
								56390J.....	17
								56392G.....	35
								56392H.....	35
								56392L.....	35
								56392M.....	35
								56392P.....	35
								56393J.....	27
								56393P.....	17
								56393Q.....	17
								56393W.....	17
								56958A.....	21
								57705W.....	43
								57713.....	27

NUMERICAL INDEX OF PARTS

<u>Part No.</u>	<u>Page No.</u>	<u>Part No.</u>	<u>Page No.</u>	<u>Part No.</u>	<u>Page No.</u>	<u>Part No.</u>	<u>Page No.</u>	<u>Part No.</u>	<u>Page No.</u>
57722B.....	31	57849G.....	49	660-264.....	59	96.....	27	RM2871B.....	59
57725B.....	27	57853.....	29	660-269B.....	31	96508.....	45	RM3293-2.....	51
57726A.....	43	57853E.....	29	660-283A.....	33	96532.....	43	SC-330.....	49, 51
57744.....	27	57853F.....	29	660-310.....	27	96651.....	43	SC-333A.....	49
57744A.....	27	57854.....	17	660-406.....	17	97109.....	43	T38.....	39
57757B.....	13	57858.....	13	660-434.....	51	98.....	27, 29	TT17.....	59
57770.....	15	57858A.....	15	660-438.....	29	98A.....	13	TT35.....	59
57782M.....	13	57864A.....	39	660-457.....	59	99316.....	45, 49	U94194U.....	23
57795B.....	13	57864B.....	39	660-617.....	15	99316A.....	41	V90233WC.....	49
57805A.....	47	57865.....	35	660-625.....	19	99316B.....	41	WO-3.....	19, 27, 31
57805B.....	47	57882J.....	13	660-665.....	17	99316C.....	41		
57805C.....	47	57882K.....	15	660-739.....	17	99316D.....	41		
57805D.....	47	57882L.....	15	660-870.....	59	99331A.....	21		
57805E.....	47	57882M.....	49	661-258.....	17	99392A.....	33		
57818A032.....	21	57882N.....	37	666-214.....	17	99670MA.....	41		
57818A040.....	21	57882P.....	15	666-259.....	17	99682XCA.....	15		
57818A044.....	21	57883.....	33	670M10.....	49	99697FC.....	49		
57818A060.....	21	57885.....	37	670N4.....	49	99699M.....	41		
57820B032.....	45	57885A.....	37	670N5.....	49	99702D.....	41		
57820B044.....	45	57885B.....	37	671-D31.....	51	99702E.....	41		
57820B060.....	45	57885C.....	39	671-F10.....	51	998-147C.....	57		
57821D.....	19	57885D.....	39	671A-2.....	55	998-147D.....	57		
57822A.....	31	57890B.....	17	671B13.....	51	998-338A.....	57		
57824F032.....	47	57892C5.....	15	671F-3.....	51, 55	998-348-0.315.....	57		
57824F040.....	47	57892H.....	15	69H.....	13	998-387M.....	57		
57824F044.....	47	57892J.....	15	719.....	27	999-106XA.....	49		
57824F060.....	47	57892K.....	35	73.....	27	999-123C.....	57		
57825E.....	29	57892L.....	35	73A.....	13	999-140.....	41		
57825F.....	29	57893.....	17, 19	75.....	29	999-149.....	41		
57825H.....	47	57893A.....	17	77.....	15, 19, 23, 27, 31, 47	999-182.....	41		
57826F.....	43	57893B.....	33	77A.....	23, 49	999-199A.....	41		
57830D.....	45	57893C.....	17	77B.....	45	999-205H.....	41		
57830E.....	45	57894.....	17	80.....	37	999-216K.....	17		
57830F.....	45	57894C.....	25	80557.....	13	999-232.....	23		
57830M.....	45	57894D.....	13	80665F.....	15	999-93.....	41		
57830N.....	45	57894E.....	37	8372A.....	41	A10077H.....	45		
57830P.....	45	57944B.....	15	87.....	37, 47	A10082.....	47		
57830R.....	45	57WD.....	43	87A.....	37	A10082A.....	47		
57830S.....	45	59493A.....	17, 19	87U.....	13, 27	A10085.....	27		
57830T.....	45	6-67-125.....	17	88.....	27	A10120K.....	45		
57830V.....	45	6-99-80.....	53	90.....	13, 17, 39, 47	A10120L.....	45		
57834A.....	31	60038K.....	37	90233AH.....	57	A10120M.....	45		
57834J.....	29	604.....	53, 55	90235DD.....	57	A10135A-8.....	45		
57835M.....	23	6042A.....	25, 29	90241G.....	49	A10135A12.....	45		
57835R.....	29	605.....	43	90561Q.....	57	A10135A16.....	45		
57835X.....	29	605A.....	15	90561V.....	57	AS12-13.....	49		
57836B.....	17	61321L.....	19	907.....	17, 31	B3101804000.....	35		
57837D.....	29	61341J.....	29	91.....	31, 43	B3103804000.....	35		
57842B.....	17	627.....	27	91D.....	31	B3112704000.....	35		
57844.....	15	627A.....	17	92899DA.....	41	B3120352000.....	35		
57844A.....	15	660-1001.....	37	93.....	23, 53, 55	B3120704000.....	35		
57844C.....	13	660-1002.....	13	94.....	29	B3126012000.....	35		
57845AA.....	23	660-1004.....	37	95.....	13, 23, 25, 53	C50046.....	23		
57846A.....	23	660-1008.....	37, 41	95157.....	41	CL-21.....	17, 21, 29, 31		
57846B.....	27	660-202.....	19, 21	95166V.....	49	CO67E.....	27		
57847.....	23, 25	660-206.....	19	95167DV.....	49	G21201.....	59		
57847B.....	17	660-207.....	33	95169.....	41	G50-785.....	23		
57849.....	17	660-210.....	27	95259A.....	41	G65-181.....	43		
57849A.....	23	660-215.....	19	95262V.....	21	HA20A.....	25		
57849C.....	21	660-230.....	17	95406B.....	41	NS6110420SP.....	35		
57849D.....	25	660-240.....	59	95424A.....	41	NU-11.....	51		
57849F.....	41	660-246.....	25	95956.....	41, 49	NU-12.....	55		



WORLDWIDE SALES AND SERVICE

Union Special Corporation maintains sales and service facilities throughout the world. These offices will aid you in the selection of the right sewing equipment for your particular operation. Union Special Corporation representatives and service technicians are factory trained and are able to serve your needs promptly and efficiently. Whatever your location, there is a qualified representative to serve you.

Brussels, Belgium
Charlotte, N.C.
El Paso, TX
Hong Kong, China
Huntley, IL
Leicester, England
Lille, France
Miami, FL
Milan, Italy
Möglingen, Germany
Montreal, Quebec
Osaka, Japan
Santa Fe Springs, CA

Other Representatives throughout
all parts of the world.



Union Special
INDUSTRIAL SEWING EQUIPMENT