

SINGER
175-61

Form 19641

(341)

Printed in U. S. A.

LIST OF PARTS



MACHINE No. 175-61

** A TRADE MARK OF

THE SINGER MANUFACTURING COMPANY

INSTRUCTIONS FOR OILING

To ensure easy running and prevent unnecessary wear of the parts which are in movable contact, the machine requires oiling and when in continuous use, "TYPE B" or "TYPE D" OIL, sold only by Singer Sewing Machine Company, should be applied at least twice each day to all oil holes marked "OIL", as instructed in Form 19155.

"TYPE D" OIL is stainless.

INDEX

| | Page |
|---|-----------|
| Accessories..... | 25 |
| Belt and Pulley Guard..... | 26 |
| Bed Work Supports..... | 23 |
| Button Clamps..... | 16 to 22 |
| Button Holders..... | 24 |
| Clamps for Snap Fasteners..... | 22 and 23 |
| Feed Plates..... | 25 |
| Machine Base..... | 26 |
| Machine No. 175-61..... | 5 |
| Numerical List of Parts..... | 29 |
| Starting Lever and Foot Lifter Parts..... | 27 |
| Table Belt Guide..... | 27 |
| Thread Unwinder..... | 28 |
| Work Supports..... | 25 |

INSTRUCTIONS FOR ORDERING

5

In ordering from this list, use ONLY the part NUMBER in the FIRST column.

The number stamped on a Sewing Machine Part is in every case the number of the single part only.

Every combination of parts sent out as such has its specific number, which, although not stamped on the parts, must be used when ordering the combination.

Each number always indicates the SAME PART in whatever list it appears, or for whatever machine.

The letters after some of the numbers indicate the style of finish only, as follows:

- A-Hardened, Polished, Nickel Plated and Buffed
- A.A-Buffed and Chromium Plated
- A.B-Hardened, Polished, Buffed and Chromium Plated
- A.C-Brown Baking Enamel Finish
- A.D-Gray Baking Enamel Finish
- A.E-Hardened, Bright Rumbled and Nickel Plated
- A.F-Hardened, Bright Rumbled, Nickel Plated, Bright Rumbled and Chromium Plated
- B-Polished, Nickel Plated and Buffed
- C-Hardened Only
- C.R-Hardened and Merlized
- D-Polished Only
- E-Soft, Not Polished
- F-Hardened and Polished
- F.J-Hardened, Polished and Nickel Plated
- G-Bright Rumbled and Nickel Plated
- H-Blued
- J-Nickel Plated Only
- K-Hardened and Nickel Plated
- L-Brass Plated
- M-Oxidized
- N-Japanned, Dull
- P-Japanned, Bright
- P.P-Wrinkle Finish
- R-Merlized
- S-Cadmium Plated
- T-Copper Plated
- T.A-Hardened, Polished, Copper and Nickel Plated and Buffed
- T.B-Copper and Nickel Plated and Polished
- T.J-Copper and Nickel Plated Only
- T.K-Hardened, Copper and Nickel Plated
- T.L-Copper and Brass Plated
- T.M-Copper Plated and Oxidized
- U-Zinc Plated
- V-Silver Plated
- W-Polished and Nickel Plated
- X-Black Oxide, for Iron and Steel
- X.C-Hardened and Black Oxide, for Iron or Steel
- Y-Black Nickel Plated Only
- Z-Chromium Plated
- Z.A-Hardened, Polished, Nickel Plated, Buffed and Chromium Plated
- Z.B-Polished, Nickel Plated, Buffed and Chromium Plated
- Z.C-Hardened and Chromium Plated
- Z.D-Polished and Chromium Plated
- Z.G-Bright Rumbled, Nickel Plated, Bright Rumbled and Chromium Plated
- Z.J-Nickel and Chromium Plated
- Z.T-Copper and Chromium Plated

These letters MUST BE USED when they appear in the list; and AFTER the number as in the list.

In this series:

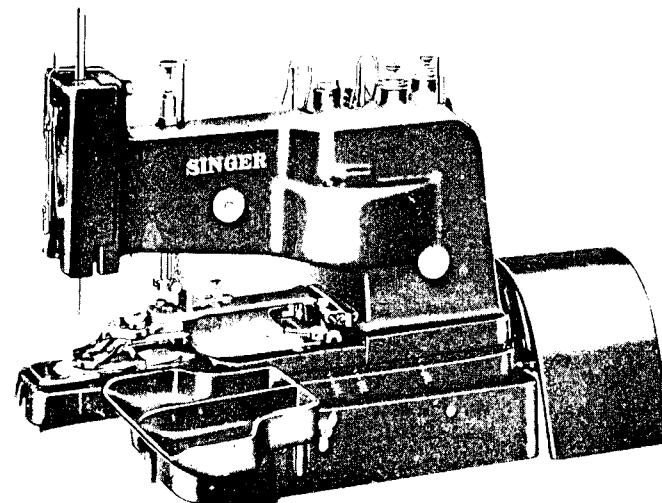
- 1 to 1500, 50001 to 51500 and 140001 to 142000 are Screw Numbers
- 1501 to 1800 and 51501 to 51800 are Nut Numbers
- 1801 to 2000 and 51801 to 52000 are Roller Numbers
- 2001 to 50000 and 52001 to 140000 and 142001 to 190000 are Sewing Machine Parts, 190001 and upward are numbers of Electrical Parts.

The figures in the second column refer only to the plates, illustrating the parts, and are NOT TO BE USED in ordering.

Parts marked with an asterisk (*) are furnished only when repairs are made at factory.

LIST OF PARTS COMPLETE

FOR



MACHINE No. 175-61

For Sewing Two or Four-Hole Flat Buttons, from 20 to 45 ligne, through and through stitch, close to the material. Makes two parallel bars in four-hole buttons across the cylinder with one right angle cross-over stitch, 16 stitches, including cross-over and knotting stitches. In two-hole buttons, makes the Dubbilstay stitch, spreading the stitches in the fabric same as in a four-hole button. Can be adjusted for buttons with holes $\frac{7}{64}$ to $\frac{7}{32}$ inch apart. Needle bar stroke $1\frac{5}{8}$ inch and can be fitted with clamp for snap fasteners. Sizes "O", "OO" and "OOO". Speed 1000 R.P.M.

| No. | Plate | Name |
|---------|-------|--|
| *175001 | ----- | Arm with 15404 and two 15409..... |
| 8539 | 22495 | " Dowel Pin (2)..... |
| 175004 | 23314 | " Rock Shaft with 175007..... |
| 175005 | 23314 | " " " Crank (back) with 1177E, 1521J and 140016E..... |
| 1177E | 23314 | Arm Rock Shaft Crank (back) Clamping Screw..... |

| No. | Plate | Name |
|---------|-------|---|
| 140016E | 23314 | Arm Rock Shaft Crank (back) Position Screw..... |
| 1521J | 23314 | Arm Rock Shaft Crank (back) Position Screw Lock Nut..... |
| 175007 | 23314 | Arm Rock Shaft Crank (front) Pin..... |
| 140017E | 22895 | " Screw (long) (3)..... |
| 670E | 22895 | " " (short)..... |
| 175008 | 23315 | " Side Cover (left)..... |
| 230J | 23315 | " " " " Screw (2)..... |
| 175009 | 22862 | " " " (right)..... |
| 175010 | 22862 | " " " " Screw Stud (long) |
| 175011 | 22862 | " " " " " " (short) |
| 51649E | 22862 | " " " " " " Lock Nut (2)..... |
| 51650B | 22862 | Arm Side Cover (right) Screw Stud Thumb Nut (2)..... |
| *175825 | ----- | Bed..... |
| 175013 | ----- | " End Cover (bottom)..... |
| 175751 | 22895 | " " " " 175013 with 175016 |
| 175014 | 22895 | " " " " Hinge Pin (left).. |
| 175015 | 22895 | " " " " " " (right).. |
| 175016 | 22895 | " " " " Spring..... |
| 175017 | 22895 | " " " " " Hook..... |
| 175018 | 23306 | " Top Cover (back) with two 175019.... |
| 175019 | 23306 | " " " " Oil Tube (2)..... |
| 140018W | 23306 | " " " " Screw (2)..... |
| 175020 | 23316 | " " " (front)..... |
| 140019F | 23316 | " " " " Screw (4)..... |
| 175021 | 23317 | Button Clamp (left) with 175622..... |
| 175022 | 23317 | " " " 175021 with 228J, 140021C and 175026..... |
| 140020C | 23317 | Button Clamp (left) Hinge Screw..... |
| 1498C | 23317 | " " " " " Lock Screw..... |
| 140021C | 23317 | Button Clamp (left) Screw Stud..... |
| 175026 | 23317 | " " " Spring..... |
| 228J | 23317 | " " " " Screw..... |
| 175622 | 23317 | " " " " Steady Pin.. |
| 175027 | 23317 | " " (right) with 175622..... |
| 175028 | 23317 | " " " 175027 with 228J, 140021C and 175026..... |
| 140020C | 23317 | Button Clamp (right) Hinge Screw..... |
| 1498C | 23317 | " " " " " Lock Screw..... |
| 140021C | 23317 | Button Clamp (right) Screw Stud..... |
| 175030 | 23317 | " " " Spring..... |
| 228J | 23317 | " " " " Screw..... |
| 175622 | 23317 | " " " " Steady Pin.. |
| 175031 | 23317 | " " Adjusting Lever..... |
| 680W | 23317 | " " " " Thumb Screw |

| No. | Plate | Name |
|--------|-------|--|
| 175032 | 23317 | Button Clamp Adjusting Lever Thumb Screw Washer..... |
| 175806 | 23317 | Button Clamp Arm..... |
| 175034 | 23306 | " " " " Hinge Pin..... |
| 175035 | 23306 | " " " " " Bracket..... |
| 160J | 23306 | " " " " " " Screw (2)..... |
| 175036 | 23306 | Button Clamp Arm Hinge Pin Bracket Shim (.003 in. thick)..... |
| 175037 | 23306 | Button Clamp Arm Hinge Pin Bracket Shim (.005 in. thick)..... |
| 175038 | 23306 | Button Clamp Arm Hinge Pin Bracket Shim (.007 in. thick)..... |
| 175039 | 23306 | Button Clamp Arm Hinge Pin Bracket Shim (.015 in. thick)..... |
| 175040 | 23317 | Button Clamp Closing Spring..... |
| 175041 | 23315 | " " Lifting Arm with 190J, 190K and 1259AL..... |
| 1259AL | 23315 | Button Clamp Lifting Arm Set Screw..... |
| 175812 | 23315 | " " " Chain (4 links) with 175814..... |
| 175813 | 23315 | Button Clamp Lifting Chain 175812 with 51224B..... |
| 175814 | 23315 | Button Clamp Lifting Chain Hook..... |
| 190K | 23315 | " " " " Screw (upper) |
| 190J | 23315 | " " " " " " " " Lock Screw..... |
| 51224B | 23315 | Button Clamp Lifting Chain Thumb Screw.. |
| 175043 | 23315 | " " " and Thread Pull-off Holder Shaft..... |
| 175044 | 23315 | Button Clamp Lifting and Thread Pull-off Holder Shaft Collar with 458C..... |
| 458C | 23315 | Button Clamp Lifting and Thread Pull-off Holder Shaft Collar Set Screw..... |
| 175045 | 23315 | Button Clamp Lifting and Thread Pull-off Holder Shaft Spring..... |
| 175046 | 23315 | Button Clamp Lifting and Thread Pull-off Holder Shaft Spring Collar with 458C |
| 458C | 23315 | Button Clamp Lifting and Thread Pull-off Holder Shaft Spring Collar Set Screw |
| 175047 | 23315 | Button Clamp Lifting Rod..... |
| 175048 | 23315 | " " " " " Arm with 160E and 50269C..... |
| 160E | 23315 | Button Clamp Lifting Rod Arm Clamping Screw..... |
| 50269C | 23315 | Button Clamp Lifting Rod Arm Position Screw..... |
| 175049 | 23315 | Button Clamp Lifting Rod Arm Stop Plate. |
| 160J | 23315 | " " " " " " " " Screw (2)..... |

| No. | Plate | Name |
|---------|-------|---|
| 160J | 23306 | Feed Plate Carrier Regulator Spring Screw (bed end)..... |
| 228J | 23306 | Feed Plate Carrier Regulator Spring Screw (regulator end)..... |
| 175692 | 23317 | Feed Plate Holder..... |
| 227J | 23317 | " " " Screw (2)..... |
| 175589 | 23317 | " " " Spring..... |
| 175590 | 23317 | " " " Stud (2)..... |
| 175085 | 22895 | Looper..... |
| 175086 | 22895 | " Driving Shaft..... |
| 175087 | 22895 | " " " Bushing..... |
| 175594 | ----- | " " " " 175087 with 175086, 175091 and 175092..... |
| 51183E | 22895 | Looper Driving Shaft Bushing Clamping Screw..... |
| 175525 | 22895 | Looper Driving Shaft Crank with 435AL and 1285C..... |
| 175089 | 22895 | Looper Driving Shaft Crank Connecting Link..... |
| 175660 | ----- | Looper Driving Shaft Crank Connecting Link 175089 with 175525 and 175529.. |
| 1285C | 22895 | Looper Driving Shaft Crank Position Screw..... |
| 435AL | 22895 | Looper Driving Shaft Crank Set Screw.... |
| 175091 | 22895 | " " " " Gear..... |
| 175092 | 22895 | " " " " Pin..... |
| 458C | 22895 | " Set Screw..... |
| 175093 | 22895 | " Shaft with 458C..... |
| 175529 | 22895 | " " Crank with two 140027C.... |
| 140027C | 22895 | " " " Set Screw (2)..... |
| 175096 | 22895 | Machine Rest Stud..... |
| 458C | 22895 | " " " Set Screw..... |
| 175396 | 23316 | Needle Bar (hollow) with 200125F..... |
| 175098 | 23316 | " " " Connecting Link..... |
| 140028C | 23316 | " " " " Hinge Screw.. |
| 1722J | 23316 | " " " " " " Nut |
| 175810 | 23316 | " " " " " Stud with 160E..... |
| 175811 | ----- | Needle Bar Connecting Link Hinge Stud 175810 with 1402J, 175100 and 175101 |
| 160E | 23316 | Needle Bar Connecting Link Hinge Stud Clamping Screw..... |
| 175100 | 23316 | Needle Bar Connecting Link Hinge Stud Thread Guide Plate..... |
| 1492J | 23316 | Needle Bar Connecting Link Hinge Stud Thread Guide Plate Screw..... |
| 175101 | 23316 | Needle Bar Connecting Link Hinge Stud Thread Guide Roller..... |
| 175102 | 23316 | Needle Bar Connecting Stud (lower)..... |
| 1681J | 23316 | " " " " " Nut.. |

| No. | Plate | Name |
|---------|-------|---|
| 51652J | 23316 | Needle Bar Connecting Stud (lower) Nut Lock Nut..... |
| 175103 | 23316 | Needle Bar Connecting Stud (lower) Wash- er..... |
| 175104 | 23316 | Needle Bar Connecting Stud (upper)..... |
| 1681J | 23316 | " " " " " Nut.. |
| 51652J | 23316 | " " " " " " |
| | | Lock Nut..... |
| 175103 | 23316 | Needle Bar Connecting Stud (upper) Wash- er..... |
| 175105 | 22895 | Needle Bar Eccentric with 140027C..... |
| 175106 | 23314 | " " " Connecting Rod with 1521J, 140024E, 175535 and two 140029E |
| 140029E | 23314 | Needle Bar Eccentric Connecting Rod Cap Screw (2)..... |
| 140024E | 23314 | Needle Bar Eccentric Connecting Rod Clamping Screw..... |
| 1521J | 23314 | Needle Bar Eccentric Connecting Rod Clamping Screw Nut..... |
| 140031C | 23314 | Needle Bar Eccentric Connecting Rod Hinge Screw..... |
| 51653E | 23314 | Needle Bar Eccentric Connecting Rod Hinge Screw Nut..... |
| 175535 | 23314 | Needle Bar Eccentric Connecting Rod Oil Pad (felt)..... |
| 175108 | 22895 | Needle Bar Eccentric Pawl with 175114... |
| 175109 | ----- | Needle Bar Eccentric Pawl complete, Nos. 175108, 175110 and 175112..... |
| 175110 | 22895 | Needle Bar Eccentric Pawl Bracket with 175111..... |
| 134E | 22895 | Needle Bar Eccentric Pawl Bracket Screw. |
| 175111 | 22895 | " " " " " Steady Pin..... |
| 175112 | 22895 | Needle Bar Eccentric Pawl Hinge Pin.... |
| 175113 | 22895 | " " " " Spring..... |
| 175114 | 22895 | " " " " " Stud... |
| 175119 | 22895 | " " " " Pin..... |
| 140027C | 22895 | " " " Set Screw..... |
| 175805 | 23314 | " " Vibrating Cam with 175185.... |
| 175119 | 23314 | " " " " Pin..... |
| 175120 | 23314 | " " " Lever..... |
| 175756 | 23314 | " " " " Adjusting Bracket with 458C and 1341AL..... |
| 175759 | ----- | Needle Bar Vibrating Lever Adjusting Bracket 175756 with 175123 and 175770..... |
| 175757 | 23314 | Needle Bar Vibrating Lever Adjusting Bracket Hinge Stud..... |
| 175770 | ----- | Needle Bar Vibrating Lever Adjusting Bracket Hinge Stud 175757 with 175758..... |

| No. | Plate | Name |
|---------|-------|---|
| 1341AL | 23314 | Needle Bar Vibrating Lever Adjusting Bracket Hinge Stud Set Screw..... |
| 175758 | 23314 | Needle Bar Vibrating Lever Adjusting Bracket Hinge Stud Slide..... |
| 51654C | 23314 | Needle Bar Vibrating Lever Adjusting Bracket Lock Nut..... |
| 175123 | 23314 | Needle Bar Vibrating Lever Adjusting Bracket Lock Nut Screw Stud..... |
| 458C | 23314 | Needle Bar Vibrating Lever Adjusting Bracket Lock Nut Screw Stud Set Screw..... |
| 175125 | 23314 | Needle Bar Vibrating Lever Adjusting Bracket Lock Nut Washer..... |
| 175126 | 23314 | Needle Bar Vibrating Lever Arm with 51923..... |
| 140033C | 23314 | Needle Bar Vibrating Lever Arm Hinge Screw..... |
| 51923 | 23314 | Needle Bar Vibrating Lever Arm Roller and Screw Stud..... |
| 140024E | 23314 | Needle Bar Vibrating Lever Arm Screw..... |
| 175032 | 23314 | " " " " " " Wash-er..... |
| 140034C | 23314 | Needle Bar Vibrating Lever Hinge Screw.. |
| 140035C | 23314 | " " " " " " Lock Screw..... |
| 175127 | 23314 | Needle Bar Vibrating Lever Hinge Screw Slide..... |
| 175591 | 22895 | Needle Guide with 175547 and two 218D... |
| 175546 | ----- | " Guide 175591 with 175131 and 175136..... |
| 175130 | 22895 | Needle Guide Cam with two 1259AL..... |
| 1259AL | 22895 | " " " Set Screw (2)..... |
| 175132 | 22895 | " " Oscillating Crank with 140159E and 175134..... |
| 140159E | 22895 | Needle Guide Oscillating Crank Clamping Screw..... |
| 175016 | 22895 | Needle Guide Oscillating Crank Spring... |
| 175135 | 22895 | " " " " " Hook (bed end)..... |
| 175134 | 22895 | Needle Guide Oscillating Crank Spring Hook (crank end)..... |
| 175131 | 22895 | Needle Guide Pin..... |
| *175136 | 22895 | " " Shaft..... |
| 175094 | 22895 | " " " Bushing..... |
| 458C | 22895 | " " " Set Screw.... |
| 175547 | 22895 | " " Thread Finger..... |
| 218D | 22895 | " " " Screw (2)... |
| 175483 | 23316 | " Plate..... |
| 140019F | 23316 | " " Screw (2)..... |
| 200125F | 23316 | " Set Screw..... |

| No. | Plate | Name |
|--|-------|--|
| 175297 | 23323 | Plate for 175842..... |
| 160J | 23323 | " Screw (2)..... |
| 175140 | 22895 | Pulley, 2 3/4 in. diam., with 51655J, 140037C and 175820..... |
| Note: No. 175140 Pulley is regularly furnished with the Machine. | | |
| 175634 | ----- | Pulley, 3 1/4 in. diam., with 51655J, 140037C and 175820..... |
| 175636 | ----- | Pulley, 3 3/4 in. diam., with 51655J, 140037C and 175820..... |
| 140037C | 22895 | Pulley Engaging Screw..... |
| 51655J | 22895 | " " " Nut..... |
| 175820 | 22895 | " Oil Pad (wick)..... |
| 175142 | 22895 | " Shaft..... |
| 175595 | ----- | " " 175142 with 175069, 175105, 175143, 175144, 175150, 175294 and two 175119..... |
| 175143 | 22895 | Pulley Shaft Gear..... |
| 175144 | 22895 | " " " Pin..... |
| 175145 | 22895 | " Shifter..... |
| 175146 | 22895 | " " Holder with 51649J and 140078AL..... |
| 140078AL | 22895 | Pulley Shifter Holder Set Screw..... |
| 51649J | 22895 | " " " " " Lock Nut |
| 1178E | 22895 | " " Screw..... |
| 175148 | 22895 | Starting Crank with 1747J and 140039E... |
| 175630 | ----- | " " 175148 with 175149 and 175155..... |
| 140039E | 22895 | Starting Crank Adjusting Screw..... |
| 1747J | 22895 | " " " " Nut..... |
| 175149 | 22895 | " " Pin..... |
| 175150 | 22895 | Stop Dog..... |
| 175151 | 22895 | " " Cushion Spring..... |
| 175152 | 22895 | " " " " Holder with 50581C, 175151 and two 140040AL.... |
| 50581C | 22895 | Stop Dog Cushion Spring Holder Set Screw |
| 140040AL | 22895 | " " " " Set Screw (2).. |
| 175119 | 22895 | " " Pin..... |
| 175153 | 22895 | " Motion Retaining Collar..... |
| 160J | 22895 | " " " " Screw..... |
| 175154 | 22895 | " " " " " Stud |
| 882AL | 22895 | " " " " " Set Screw..... |
| 175155 | 22895 | Stop Motion Shaft..... |
| 175156 | 22895 | " " " Spring..... |
| 175157 | 22895 | " " " " Collar with 140041AL..... |
| 140041AL | 22895 | Stop Motion Shaft Spring Collar Set Screw..... |
| 175158 | 22895 | Stop Motion Trip..... |
| 175159 | 22895 | " " " Block with 882AL and 175154..... |

BUTTON CLAMPS

BUTTON CLAMP No. 175725

FOR SEWING 10 TO 24 LIGNE TWO AND FOUR-HOLE FLAT
 BUTTONS CLOSE TO THE MATERIAL WITH
 A THROUGH AND THROUGH STITCH

| No. | Plate | Name |
|---------|-------|---|
| 175418 | 23318 | Button Clamp (left) with 175622..... |
| 175419 | 23318 | " " " 175418 with 228J, 140021C and 175420..... |
| 140020C | 23318 | Button Clamp (left) Hinge Screw..... |
| 1498C | 23318 | " " " " " Lock Screw..... |
| 140021C | 23318 | Button Clamp (left) Screw Stud..... |
| 175420 | 23318 | " " " Spring..... |
| 228J | 23318 | " " " " Screw..... |
| 175622 | 23318 | " " " " Steady Pin.. |
| 175516 | 23318 | " " (right) with 175622..... |
| 175517 | 23318 | " " " 175516 with 228J, 140021C and 175519..... |
| 140020C | 23318 | Button Clamp (right) Hinge Screw..... |
| 1498C | 23318 | " " " " " Lock Screw..... |
| 140021C | 23318 | Button Clamp (right) Screw Stud..... |
| 175518 | 23318 | " " " Spring..... |
| 228J | 23318 | " " " " Screw..... |
| 175622 | 23318 | " " " " Steady Pin.. |
| 175031 | 23318 | " " Adjusting Lever..... |
| 680W | 23318 | " " " " Thumb Screw |
| 175032 | 23318 | " " " " " " " Washer..... |
| 175806 | 23318 | Button Clamp Arm..... |
| 175040 | 23318 | " " Closing Spring..... |
| 175056 | 23318 | " " Spreader and Button Stop... |
| 175755 | ----- | " " " " " " " 175056 with 175573 and two 1472J.... |
| 175057 | 23318 | Button Clamp Spreader and Button Stop Base with two 1498C..... |
| 140024C | 23318 | Button Clamp Spreader and Button Stop Base Screw (2)..... |
| 175032 | 23318 | Button Clamp Spreader and Button Stop Base Screw Washer (2)..... |
| 140265W | 23318 | Button Clamp Spreader and Button Stop Screw..... |
| 51688J | 23318 | Button Clamp Spreader and Button Stop Screw Lock Nut..... |

| No. | Plate | Name |
|--------|-------|--|
| 175573 | 23318 | Button Clamp Spreader Handle..... |
| 1472J | 23318 | " " " " Screw (2). |
| 175397 | ----- | Button Clamp complete, Nos. 51688J, 140265W, 175040, 175057, 175419, 175517, 175755 and two 140020C..... |
| 175725 | 23318 | Button Clamp 175397 with 680W, 175031, 175806, two 140024C and three 175032 |

BUTTON CLAMP No. 175727

FOR SEWING 40 TO 80 LIGNE TWO AND FOUR-HOLE FLAT
 BUTTONS CLOSE TO THE MATERIAL WITH
 A THROUGH AND THROUGH STITCH

| No. | Plate | Name |
|---------|-------|---|
| 175719 | 23319 | Button Clamp (left) with 175622..... |
| 175720 | 23319 | " " " 175719 with 228J, 140021C and 175571..... |
| 140020C | 23319 | Button Clamp (left) Hinge Screw..... |
| 1498C | 23319 | " " " " " Lock Screw |
| 140021C | 23319 | " " " Screw Stud..... |
| 175571 | 23319 | " " " Spring..... |
| 228J | 23319 | " " " " Screw..... |
| 175622 | 23319 | " " " " Steady Pin.. |
| 175722 | 23319 | " " (right) with 175622..... |
| 175723 | 23319 | " " " 175722 with 228J, 140021C and 175572..... |
| 140020C | 23319 | Button Clamp (right) Hinge Screw..... |
| 1498C | 23319 | " " " " " Lock Screw..... |
| 140021C | 23319 | Button Clamp (right) Screw Stud..... |
| 175572 | 23319 | " " " Spring..... |
| 228J | 23319 | " " " " Screw..... |
| 175622 | 23319 | " " " " Steady Pin.. |
| 175031 | 23319 | " " Adjusting Lever..... |
| 680W | 23319 | " " " " Thumb Screw |
| 175032 | 23319 | " " " " " " " Washer..... |
| 175806 | 23319 | Button Clamp Arm..... |
| 175033 | 23319 | " " Closing Spring..... |
| 175747 | 23319 | " " Spreader and Button Stop... |
| 175748 | ----- | " " " " " " " 175747 with 175573 and two 1472J.... |
| 175057 | 23319 | Button Clamp Spreader and Button Stop Base with two 1498C..... |

BUTTON CLAMPS

| No. | Plate | Name |
|---------|-------|--|
| 140024C | 23319 | Button Clamp Spreader and Button Stop Base Screw (2)..... |
| 175032 | 23319 | Button Clamp Spreader and Button Stop Base Screw Washer (2)..... |
| 140265W | 23319 | Button Clamp Spreader and Button Stop Screw..... |
| 51688J | 23319 | Button Clamp Spreader and Button Stop Screw Lock Nut..... |
| 175573 | 23319 | Button Clamp Spreader Handle..... |
| 1472J | 23319 | " " " " Screw (2). |
| 175724 | ----- | Button Clamp complete, Nos. 51688J, 140265W, 175057, 175303, 175720, 175723, 175748 and two 140020C..... |
| 175727 | 23319 | Button Clamp 175724 with 680W, 175031, 175806, two 140024C and three 175032 |

BUTTON CLAMP No. 175749

FOR SEWING 80 TO 120 LIGNE TWO AND FOUR-HOLE FLAT

BUTTONS CLOSE TO THE MATERIAL WITH

A THROUGH AND THROUGH STITCH

| No. | Plate | Name |
|---------|-------|--|
| 175637 | 23320 | Button Clamp (left) with 175622..... |
| 175638 | 23320 | " " " " 175637 with 228J, 140153C and 175639..... |
| 140152C | 23320 | Button Clamp (left) Hinge Screw..... |
| 51676J | 23320 | " " " " " Nut.... |
| 175653 | 23320 | " " " " " Spacing Collar..... |
| 140153C | 23320 | Button Clamp (left) Screw Stud..... |
| 175639 | 23320 | " " " " Spring..... |
| 228J | 23320 | " " " " Screw..... |
| 175622 | 23320 | " " " " Steady Pin... |
| 175640 | 23320 | " " (right) with 175622..... |
| 175641 | 23320 | " " " " 175640 with 228J, 140153C and 175642..... |
| 140152C | 23320 | Button Clamp (right) Hinge Screw..... |
| 51676J | 23320 | " " " " " Nut.... |
| 175653 | 23320 | " " " " " Spacing Collar..... |
| 140153C | 23320 | Button Clamp (right) Screw Stud..... |
| 175642 | 23320 | " " " " Spring..... |
| 228J | 23320 | " " " " Screw..... |
| 175622 | 23320 | " " " " Steady Pin.. |

BUTTON CLAMPS

| No. | Plate | Name |
|---------|-------|---|
| 175644 | 23320 | Button Clamp Adjusting Slide..... |
| 140151J | 23320 | " " " " Guide Screw |
| 51675J | 23320 | " " " " " " " |
| | | Lock Nut..... |
| 1656J | 23320 | Button Clamp Adjusting Slide Thumb Nut.. |
| 175643 | 23320 | " " " Arm..... |
| 175363 | 23320 | " " " Hinge Bracket..... |
| 140072K | 23320 | " " " Screw (2)..... |
| 175032 | 23320 | " " " " Washer (2)..... |
| 175647 | 23320 | " " " Lifting Chain Bracket with two 190K..... |
| 175648 | 23320 | Button Clamp Lifting Chain Bracket Hold- er..... |
| 190K | 23320 | Button Clamp Lifting Chain Bracket Set Screw..... |
| 190K | 23320 | Button Clamp Lifting Chain Screw (lower) |
| 175646 | 23320 | " " Opening Handle..... |
| 223J | 23320 | " " " " Screw (2).. |
| 175750 | 23320 | " " Presser Bar Seat..... |
| 230J | 23320 | " " " " " Screw (2) |
| 175649 | 23320 | " " Spreader and Button Stop with two 175622..... |
| 175622 | 23320 | Button Clamp Spreader and Button Stop Slide Pin (2)..... |
| 140154W | 23320 | Button Clamp Spreader and Button Stop Slide Screw (2)..... |
| 175650 | 23320 | Button Clamp Spreader and Button Stop Spring..... |
| 175651 | 23320 | Button Clamp Spreader and Button Stop Spring Guide Screw Stud..... |
| 175652 | 23320 | Button Clamp Spreader and Button Stop Spring Guide Screw Stud Holder..... |
| 1521J | 23320 | Button Clamp Spreader and Button Stop Spring Guide Screw Stud Holder Nut.. |
| 175749 | 23320 | Button Clamp complete, Nos. 1521J, 1656J, 51675J, 140151J, 175363, 175638, 175641, 175643, 175644, 175646 to 175652, 175750 and two each 223J, 230J, 51676J, 140072K, 140152C, 140154W, 175032 and 175653..... |

BUTTON CLAMP No. 175684

FOR SEWING METAL EYELET SHANK AND LEATHER SHANK
 BUTTONS, ALSO SELF-SHANK BUTTONS SUCH AS
 METAL, BONE, PEARL, CLOTH COVERED AND
 COMPOSITION WITH EITHER A THROUGH
 AND THROUGH STITCH, OR BLIND
 STITCH UP TO 28 LIGNE

| No. | Plate | Name |
|---------|-------|--|
| 175807 | 23321 | Button Clamp Arm..... |
| 175808 | ----- | " " " 175807 with 175809 and two each 140072K and 175032..... |
| 175797 | 23321 | Button Clamp Arm Hinge Bracket..... |
| 140024C | 23321 | " " " Screw (2)..... |
| 175032 | 23321 | " " " Washer (2)..... |
| 175809 | 23321 | " " Presser Bar Seat..... |
| 140072K | 23321 | " " " " " Adjusting Screw..... |
| 175032 | 23321 | Button Clamp Presser Bar Seat Adjusting Screw Washer (2)..... |
| 140072K | 23321 | Button Clamp Presser Bar Seat Screw..... |
| 175667 | 23321 | Button Finger, for small size buttons... |
| 175668 | 23321 | " " for large size buttons... |
| 51696W | 23321 | " " Adjusting Thumb Nut..... |
| 22436 | 23321 | " " " " " Washer |
| 175669 | 23321 | " " Holder..... |
| 140160K | 23321 | " " " Screw..... |
| 175670 | 23321 | " " Lever..... |
| 50603J | 23321 | " " " Hinge Screw..... |
| 175672 | 23321 | " " " Post..... |
| 1521J | 23321 | " " " Nut..... |
| 175673 | 23321 | " " " Screw Bushing..... |
| 175674 | 23321 | " " " " " Screw Stud..... |
| 175675 | 23321 | Button Finger Lever Screw Bushing Spring |
| 191J | 23321 | " Holder Screw..... |
| 175684 | 23321 | Button Clamp complete (less button hold- er) Nos. 191J, 1521J, 22436, 50603J, 51696W, 140160K, 175667 to 175672, 175673 to 175675, 175707, 175809 and two each 140072K and 175032..... |

BUTTON CLAMP No. 175852

FOR SEWING 20 TO 45 LIGNE TWO AND FOUR-HOLE FLAT HEAVY
 BUTTONS CLOSE TO THE MATERIAL WITH
 A THROUGH AND THROUGH STITCH

| No. | Plate | Name |
|---------|-------|---|
| 175021 | 23322 | Button Clamp (left) with 175622..... |
| 175298 | 23322 | " " " 175021 with 228J, 140021C, 175026 and 175299..... |
| 140020C | 23322 | Button Clamp (left) Hinge Screw..... |
| 1498C | 23322 | " " " " " Lock Screw |
| 140021C | 23322 | " " " Screw Stud..... |
| 175026 | 23322 | " " " Spring..... |
| 175299 | 23322 | " " " " Reinforcing Spring..... |
| 228J | 23322 | Button Clamp (left) Spring Screw..... |
| 175622 | 23322 | " " " " Steady Pin... |
| 175027 | 23322 | " " (right) with 175622..... |
| 175300 | 23322 | " " " 175027 with 228J, 140021C, 175030 and 175299..... |
| 140020C | 23322 | Button Clamp (right) Hinge Screw..... |
| 1498C | 23322 | " " " " " Lock Screw..... |
| 140021C | 23322 | Button Clamp (right) Screw Stud..... |
| 175030 | 23322 | " " " Spring..... |
| 175299 | 23322 | " " " " Reinforcing Spring..... |
| 228J | 23322 | Button Clamp (right) Spring Screw..... |
| 175622 | 23322 | " " " " Steady Pin... |
| 175031 | 23322 | " " Adjusting Lever..... |
| 680W | 23322 | " " " " Thumb Screw |
| 175032 | 23322 | " " " " " " " Washer..... |
| 175806 | 23322 | Button Clamp Arm..... |
| 175303 | 23322 | " " Closing Spring..... |
| 175302 | 23322 | " " Spreader and Button Stop... |
| 175736 | ----- | " " " " " " " 175302 with 175026 and two 1472J.... |
| 175057 | 23322 | Button Clamp Spreader and Button Stop Base with two 1498C..... |
| 140024C | 23322 | Button Clamp Spreader and Button Stop Base Screw (2)..... |
| 175032 | 23322 | Button Clamp Spreader and Button Stop Base Screw Washer (2)..... |
| 140265W | 23322 | Button Clamp Spreader and Button Stop Screw..... |

BUTTON CLAMPS

| No. | Plate | Name |
|--------|-------|--|
| 51688J | 23322 | Button Clamp Spreader and Button Stop Screw Lock Nut..... |
| 175058 | 23322 | Button Clamp Spreader Handle..... |
| 1472J | 23322 | " " " " Screw (2). |
| 175304 | ----- | Button Clamp complete, Nos. 51688J, 140265W, 175057, 175298, 175300, 175303, 175736 and two 140020C..... |
| 175852 | 23322 | Button Clamp 175304 with 680W, 175031, 175806, two 140024C and three 175032 |

CLAMPS

CLAMP No. 175842 (Holder Type)

FOR SEWING SNAP FASTENERS

SIZES "O", "OO" AND "OOO"

| No. | Plate | Name |
|---------|-------|--|
| 175282 | 23323 | Clamp (lower) for size "o" snaps..... |
| 175283 | 23323 | " " " " "OO" snaps..... |
| 175284 | 23323 | " " " " "OOO" snaps..... |
| 175285 | 23323 | " " Position Pin..... |
| 231J | 23323 | " " Screw..... |
| 175286 | 23323 | " (upper) with 175285..... |
| 140024C | 23323 | " " Screw (2)..... |
| 175032 | 23323 | " " Washer (2)..... |
| 175843 | 23323 | " Arm..... |
| 175845 | ----- | " " 175843 with 202J and 175844... |
| 175844 | 23323 | " Lifting Chain Connection..... |
| 202J | 23323 | " " " " Screw.... |
| 175288 | 23323 | " Opening Pin..... |
| 175289 | 23323 | " " " Collar with 1498C..... |
| 1498C | 23323 | " " " " Set Screw..... |
| 175290 | 23323 | " " " Connection with 160J.. |
| 160J | 23323 | " " " " Clamping Screw..... |
| 175291 | 23323 | Clamp Opening Pin Connection Holder Screw Stud..... |
| 175846 | ----- | Clamp complete, for sizes "o", "oo" and "ooo" snaps, Nos. 231J, 175288 to 175294, 175286 and 175288 to 175291. |
| 175842 | 23323 | Clamp 175846 with 175845 and two each 140024C and 175032..... |

CLAMP No. 175847 (Button Clamp Type)

FOR SEWING SNAP FASTENERS

SIZES "O", "OO" AND "OOO"

| No. | Plate | Name |
|---------|-------|---|
| 175833 | 23324 | Clamp (left) with 140021C..... |
| 140020C | 23324 | " " Hinge Screw..... |
| 1498C | 23324 | " " " " Lock Screw.... |
| 140021C | 23324 | " " Screw Stud..... |
| 175834 | 23324 | " (right) with 140021C..... |
| 140020C | 23324 | " " Hinge Screw..... |
| 1498C | 23324 | " " " " Lock Screw.... |
| 140021C | 23324 | " " Screw Stud..... |
| 175031 | 23324 | " Adjusting Lever..... |
| 680W | 23324 | " " " Thumb Screw..... |
| 175032 | 23324 | " " " " Washer |
| 175806 | 23324 | " Arm..... |
| 175040 | 23324 | " Closing Spring..... |
| 175835 | 23324 | " Spreader and Snap Fastener Stop... |
| 175836 | ----- | " " " " " " |
| 175057 | 23324 | 175835 with 175573 and two 1472J.... Clamp Spreader and Snap Fastener Stop Base with two 1498C..... |
| 140024C | 23324 | Clamp Spreader and Snap Fastener Stop Base Screw (2)..... |
| 175032 | 23324 | Clamp Spreader and Snap Fastener Stop Base Screw Washer (2)..... |
| 140265W | 23324 | Clamp Spreader and Snap Fastener Stop Screw..... |
| 51688J | 23324 | Clamp Spreader and Snap Fastener Stop Screw Lock Nut..... |
| 175573 | 23324 | Clamp Spreader Handle..... |
| 1472J | 23324 | " " " " Screw (2)..... |
| 175837 | ----- | Clamp complete, Nos. 51688J, 140265W, 175040, 175057, 175833, 175834, 175836 and two 140020C..... |
| 175847 | 23324 | Clamp 175837 with 680W, 175031, 175806, two 140024C and three 175032..... |

BED WORK SUPPORTS

| No. | Plate | Name |
|--------|-------|---|
| 175387 | 23325 | Bed Work Support for 175388..... |
| 175388 | 23325 | " " " 175387 with 175389, for large shank buttons..... |

BED WORK SUPPORTS

| No. | Plate | Name |
|---------|-------|--|
| 175823 | 23325 | Bed Work Support for 175824..... |
| 175824 | 23325 | " " " 175823 with 175389, for small shank buttons..... |
| 175389 | 23325 | Bed Work Support Holder with 140061J.... |
| 140061J | 23325 | " " " " Clamping Screw.. |
| 140066J | 23325 | " " " " Guide Screw..... |
| 51656J | 23325 | " " " " Lock Nut..... |
| 175390 | 23325 | " " " " " " Screw Stud..... |
| 175032 | 23325 | Bed Work Support Holder Lock Nut Screw Stud Washer..... |

BUTTON HOLDERS

NOTE: THE FOLLOWING BUTTON HOLDERS ARE USED WITH,
BUT NOT INCLUDED IN BUTTON CLAMP

COMPLETE NO. 175684

| No. | Plate | Name |
|--------|-------|--|
| 175393 | 23321 | Button Holder for leather shank (or imitation of same) buttons..... |
| 175392 | 23321 | Button Holder (7/32 in. hole) for self- shank buttons such as metal, bone, pearl, cloth covered and composition |
| 175393 | 23321 | Button Holder (5/16 in. hole) for self- shank buttons such as metal, bone, pearl, cloth covered and composition |
| 175398 | 23321 | Button Holder (3/8 in. hole) for self- shank buttons such as metal, bone, pearl, cloth covered and composition |
| 175399 | 23321 | Button Holder (15/32 in. hole) for self- shank buttons such as metal, bone, pearl, cloth covered and composition |
| 175676 | 23321 | Button Holder for metal eyelet shank buttons..... |
| 175677 | 23321 | Button Holder for metal eyelet shank buttons (short eyelet)..... |
| 175678 | 23321 | Button Holder Spring for 175676 and 175677..... |
| 175681 | 23321 | Button Holder for metal eyelet shank buttons (large eyelet)..... |
| 175682 | 23321 | Button Holder for metal eyelet shank buttons (small eyelet)..... |
| 175684 | 23321 | Button Holder Spring for 175683..... |

FEED PLATES

| No. | Plate | Name |
|--------|-------|---|
| 175686 | 23319 | Feed Plate with two 175590, for sewing 40 to 80 ligne two and four-hole flat buttons close to the material.. |
| 175687 | 23320 | Feed Plate with two 175590, for sewing 80 to 120 ligne two and four-hole flat buttons close to the material.. |
| 175590 | 23319 | Feed Plate Stud (2)..... |

WORK SUPPORTS

| No. | Plate | Name |
|--------|-------|--|
| 175848 | 23325 | Work Support for 175849..... |
| 175850 | 23325 | " " for 175851..... |
| 175849 | 23325 | " " 175848 with 228J, 230J and 175709, for sewing metal eyelet or leather shank buttons, with a through and through stitch..... |
| 175851 | 23325 | Work Support 175850 with 228J, 230J and 175801, for sewing metal eyelet or leather shank buttons with a blind stitch..... |
| 228J | 23325 | Work Support Adjusting Screw..... |
| 175709 | 23325 | " " Plate with two 175590, for 175849..... |
| 175801 | 23325 | Work Support Plate with two 175590, for 175851..... |
| 175590 | 23325 | Work Support Plate Stud (2)..... |
| 230J | 23325 | " " Screw..... |

ACCESSORIES

| No. | Plate | Name |
|--------|-------|---|
| 175195 | 22894 | Button Tray with three 175194..... |
| 175194 | 22894 | " " Hinge Screw Stud (3)..... |
| 1600 | 22892 | " " " " Set Screw for 175823..... |
| 175195 | 22884 | Hand Wheel with two 1448AL, for turning machine by hand..... |
| 1448AL | 22894 | Hand Wheel Set Screw (2)..... |

| No. | Plate | Name |
|--------|-------|--|
| 120342 | 22884 | Oiler (copper plated) with 120343..... |
| 120343 | 22884 | " Spout, 3 1/2 in. long..... |
| 26026 | 22884 | Screw Driver..... |
| 175197 | 22884 | Wrench for 140026..... |
| 175198 | 22884 | " " 140027..... |
| 175625 | 22884 | " " 51671..... |

BELT AND PULLEY GUARD

(HINGED)

| | | |
|--------|-------|---|
| 175537 | 22885 | Belt and Pulley Guard..... |
| 175538 | 22885 | " " " " Fill-in Piece (metal) with two wood screws 3/4 in. No. 10 R.H., for Trough Power Table. |
| 175539 | 22885 | Belt and Pulley Guard Fill-in Piece (wood) with four wood screws 1 1/2 in. No. 12 F.H., for Flat Power Table..... |
| 175540 | 22885 | Belt and Pulley Guard complete, for Individual Motor Table and for 175544, Nos. 42830, 175537, 175543 and two wood screws 1 in. No. 14 F.H..... |
| 175541 | 22885 | Belt and Pulley Guard Hinge Pin..... |
| 175542 | 22885 | " " " " " " Bracket. |
| 175543 | ----- | " " " " " " " |
| | | 175542 with 175541..... |
| 42830 | 22885 | Belt and Pulley Guard Hinge Pin Cotter Pin..... |
| 175544 | 22885 | Belt and Pulley Guard with Fill-in Pieces complete, Nos. 175538 to 175540..... |

MACHINE BASE

| No. | Plate | Name |
|---------|-------|--|
| 175829 | 22892 | Machine Base with 160C..... |
| 175830 | 22892 | Machine Base complete, Nos. 141C, 933F, 1637J, 140047C, 175425, 175829, 175831, 175832 and four wood screws 7/8 in. No. 14 R.H..... |
| 140047C | 22892 | Machine Locating Screw Stud..... |
| 175115 | 22892 | " Lock Plate with 175202 and 175206 |
| 175202 | 22892 | " " " Position Stud..... |
| 51656J | 22892 | " " " Thumb Nut..... |
| 175206 | 22892 | " " " Screw Stud..... |
| 175207 | 22892 | " " " Spring..... |
| 175536 | 22892 | " " " Washer..... |

| No. | Plate | Name |
|--------|-------|---|
| 175425 | ----- | Machine Lock complete, Nos. 51656J, 175115, 175207 and 175536..... |
| 175831 | 22892 | Machine Starting Lever..... |
| | 933F | 22892 Machine Starting Lever Hinge Screw..... |
| 175832 | 22892 | " " " Spring..... |
| 141C | 22892 | " " " Stop Screw..... |
| 1637J | 22892 | " " " " " Nut... |

STARTING LEVER AND FOOT LIFTER PARTS

| No. | Plate | Name |
|--------|-------|--|
| 175215 | 22892 | Foot Lifter Chain, 37 in. long, with two 56865..... |
| 56865 | 22892 | Foot Lifter Chain Hook (2)..... |
| 175216 | 22892 | " " Treadle..... |
| 175217 | 22892 | " " " Hinge Pin..... |
| 175218 | 22892 | " " " Stand..... |
| 175219 | 22892 | Foot Lifter Treadle complete, Nos. 175216 to 175218 and two wood screws 1 in. No. 14 F.H..... |
| 175215 | 22892 | Starting Lever Chain, 37 in. long, with two 56865..... |
| 56865 | 22892 | Starting Lever Chain Hook (2)..... |
| 175216 | 22892 | " " Treadle..... |
| 175217 | 22892 | " " " Hinge Pin..... |
| 175218 | 22892 | " " " Stand..... |
| 175219 | 22892 | Starting Lever Treadle complete, Nos. 175216 to 175218 and two wood screws 1 in. No. 14 F.H..... |

TABLE BELT GUIDE

| No. | Plate | Name |
|---------|-------|---|
| 175220 | 22885 | Belt Guide (left) with 140035C..... |
| 175221 | 22885 | " " (right) with 140035C..... |
| 140035C | 22885 | " " Set Screw (2)..... |
| 175222 | 22885 | Pulley (2)..... |
| 175223 | 22885 | " Shaft..... |
| 175224 | ----- | " " 175223 with 1259AL and 175227..... |
| 175225 | 22885 | Pulley Shaft Bracket with 444C..... |
| 1259AL | 22885 | " " Oil Plug Screw..... |

| No. | Plate | Name |
|--------|-------|--|
| 175227 | 22885 | Pulley Shaft Oil Wick..... |
| 444C | 22885 | " " Set Screw..... |
| 75228 | 22885 | Table Belt Guide complete, Nos. 175220, 175221, 175224, 175225 and two each 175222 and wood screws 7/8 in. No.14 R.H..... |

THREAD UNWINDER

FOR ONE SPOOL

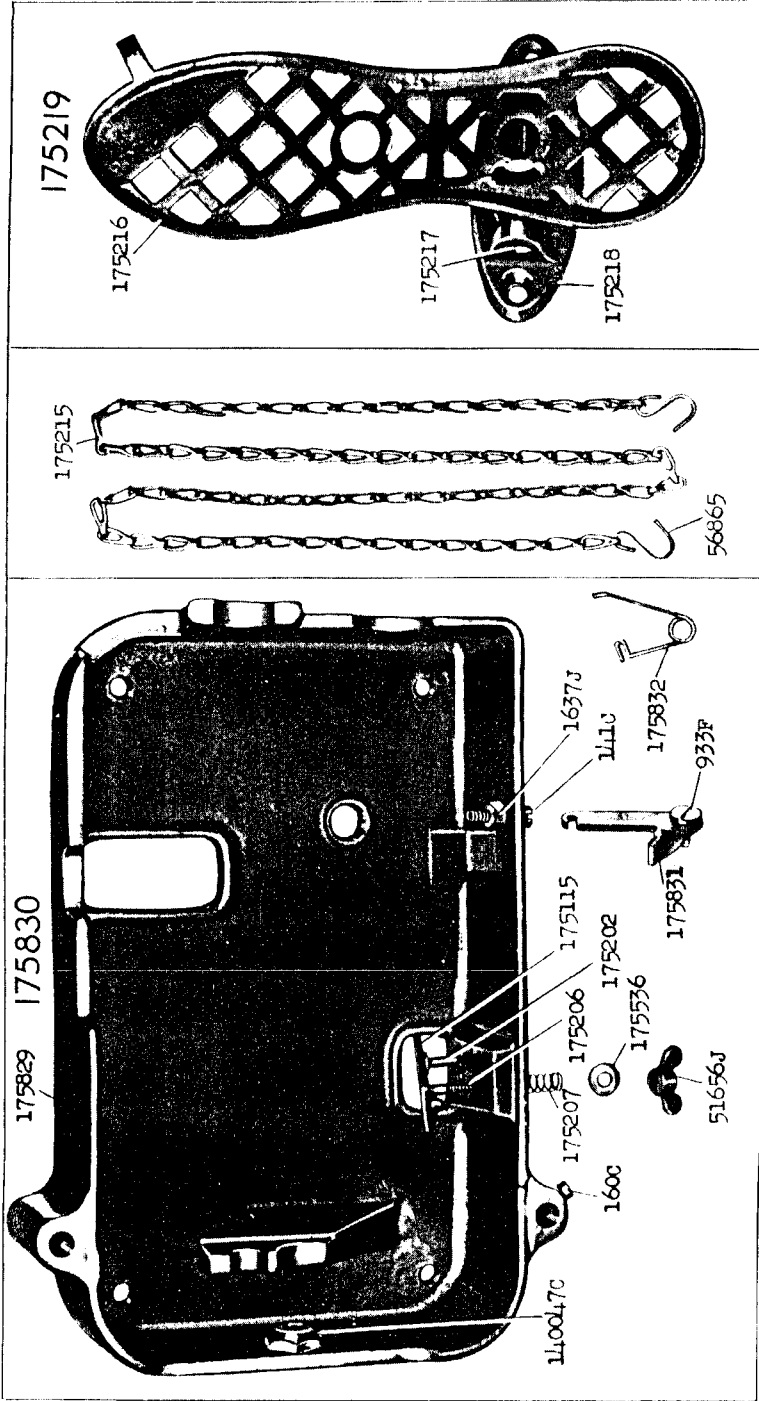
| No. | Plate | Name |
|---------|-------|---|
| 225259 | 22893 | Spool Rest with 201018C..... |
| 150203 | 22893 | " " Cushion (felt)..... |
| 225388 | 22893 | " " Rod..... |
| 200383C | 22893 | " " " Set Screw..... |
| 201018C | 22893 | " " Set Screw..... |
| 202490 | 22893 | " Stand with 200383C..... |
| 225391 | 22893 | Thread Guide..... |
| 201696J | 22893 | " " Lock Nut..... |
| 225326 | 22893 | " " Position Cup..... |
| 225324 | 22893 | " " Rod with 208AL and 225322.. |
| 208AL | 22893 | " " " Screw..... |
| 225322 | 22893 | " " " Washer..... |
| 225260 | 22893 | Thread Unwinder complete, Nos. 150203, 201696J, 202490, 225259, 225324, 225326, 225388, 225391 and three wood screws 7/8 in. No. 12 F.H..... |
| 27739 | 22893 | Thread Cone (wood) for large cones..... |
| 225390 | 22893 | " " Holder, for inverted cones.. |

Note: Nos. 27739 and 225390 are used with, but not included in 225260.

NUMERICAL LIST OF PARTS

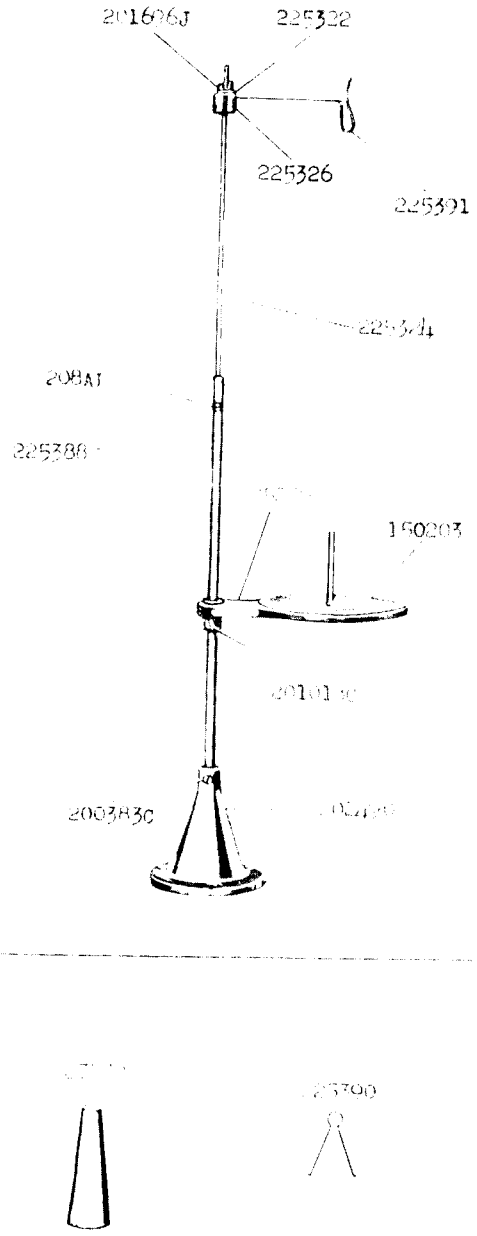
| No. | Plate | Name |
|------|-------|--|
| 120J | 23316 | Face Plate Screw (2)..... |
| 127J | 23314 | Feed Cam Screw (2)..... |
| 134E | 22895 | Needle Bar Eccentric Pawl Bracket Screw. |
| 141C | 22892 | Machine Starting Lever Stop Screw for 175830..... |
| 160J | 23306 | Button Clamp Arm Hinge Pin Bracket Screw (2)..... |
| 160E | 23315 | Button Clamp Lifting Rod Arm Clamping Screw for 175048..... |
| 160J | 23315 | Button Clamp Lifting Rod Arm Stop Plate Screw (2)..... |
| 160C | 23315 | Button Clamp Lifting Rod Spring Stop Collar Set Screw for 175051..... |
| 160C | 22892 | Button Tray Hinge Stud Set Screw for 175829..... |
| 160J | 23323 | Clamp Opening Pin Connection Clamping Screw for 175290..... |
| 160J | 23306 | Feed Plate Carrier Regulator Spring Screw (bed end)..... |
| 160E | 23316 | Needle Bar Connecting Link Hinge Stud Clamping Screw for 175810..... |
| 160J | 23323 | Plate Screw for 175297 (2)..... |
| 160J | 22895 | Stop Motion Retaining Collar Screw..... |
| 160J | 22895 | " " Trip Screw (2)..... |
| 160J | 23315 | Thread Nipper Plate Screw..... |
| 160C | 23315 | " Pull-off (back) Holder Set Screw for 175187..... |
| 160C | 23315 | Thread Pull-off Stop Collar Set Screw for 175191..... |
| 185J | 23316 | Face Plate Thread Guide (lower) Plate Screw for 175772..... |
| 190K | 23320 | Button Clamp Lifting Chain Bracket Set Screw for 175647..... |
| 190K | 23320 | Button Clamp Lifting Chain Screw (lower) for 175647..... |
| 190K | 23315 | Button Clamp Lifting Chain Screw (upper) for 175041..... |
| 190J | 23315 | Button Clamp Lifting Chain Screw (upper) Lock Screw for 175041..... |
| 130J | 23306 | Feed Plate Carrier Guide Block (left) Screw (2)..... |
| 190J | 23306 | Feed Plate Carrier Guide Block (right) Screw (2)..... |
| 191J | 23321 | Button Holder Screw for 175684..... |
| 202J | 23323 | Clamp Lifting Chain Connection Screw for 175845..... |

22892 - 1/3

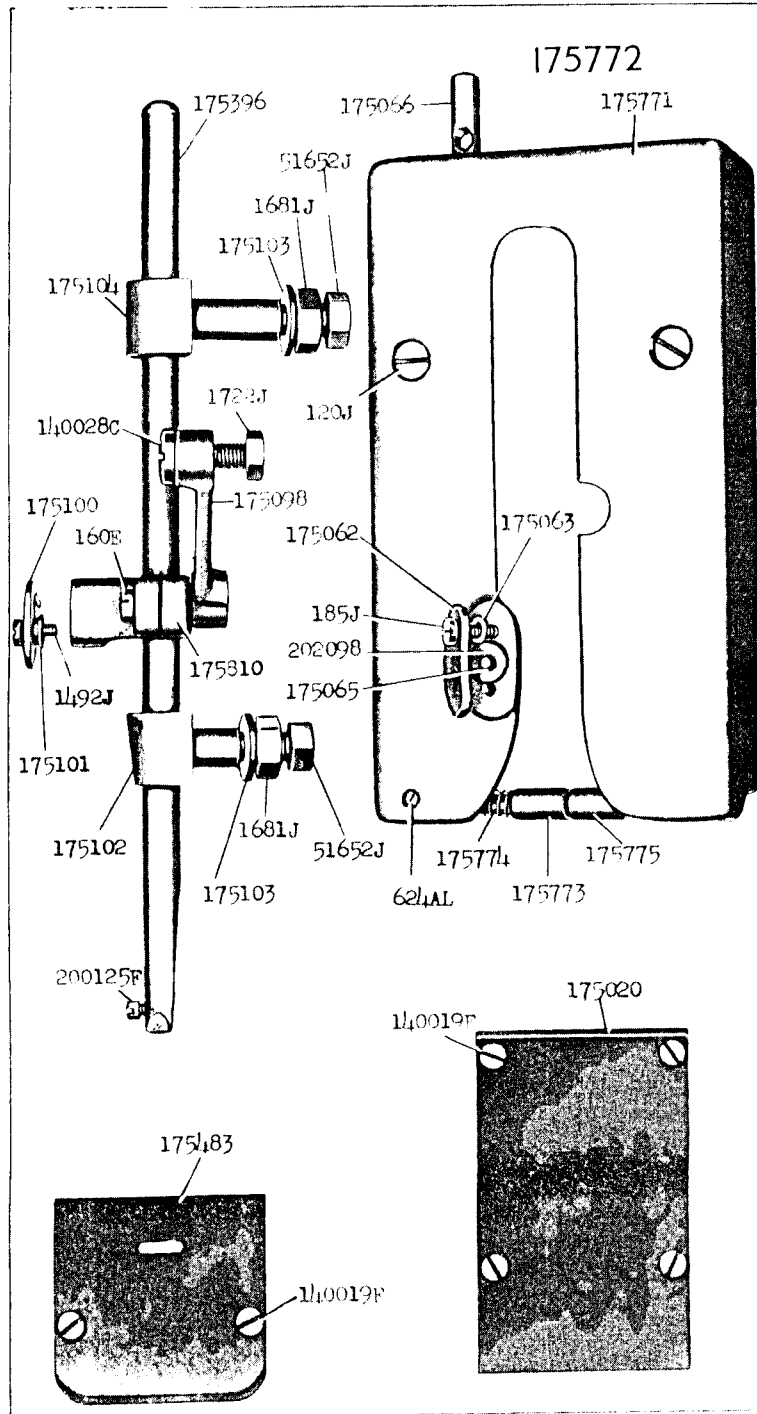


22893 - 1/6

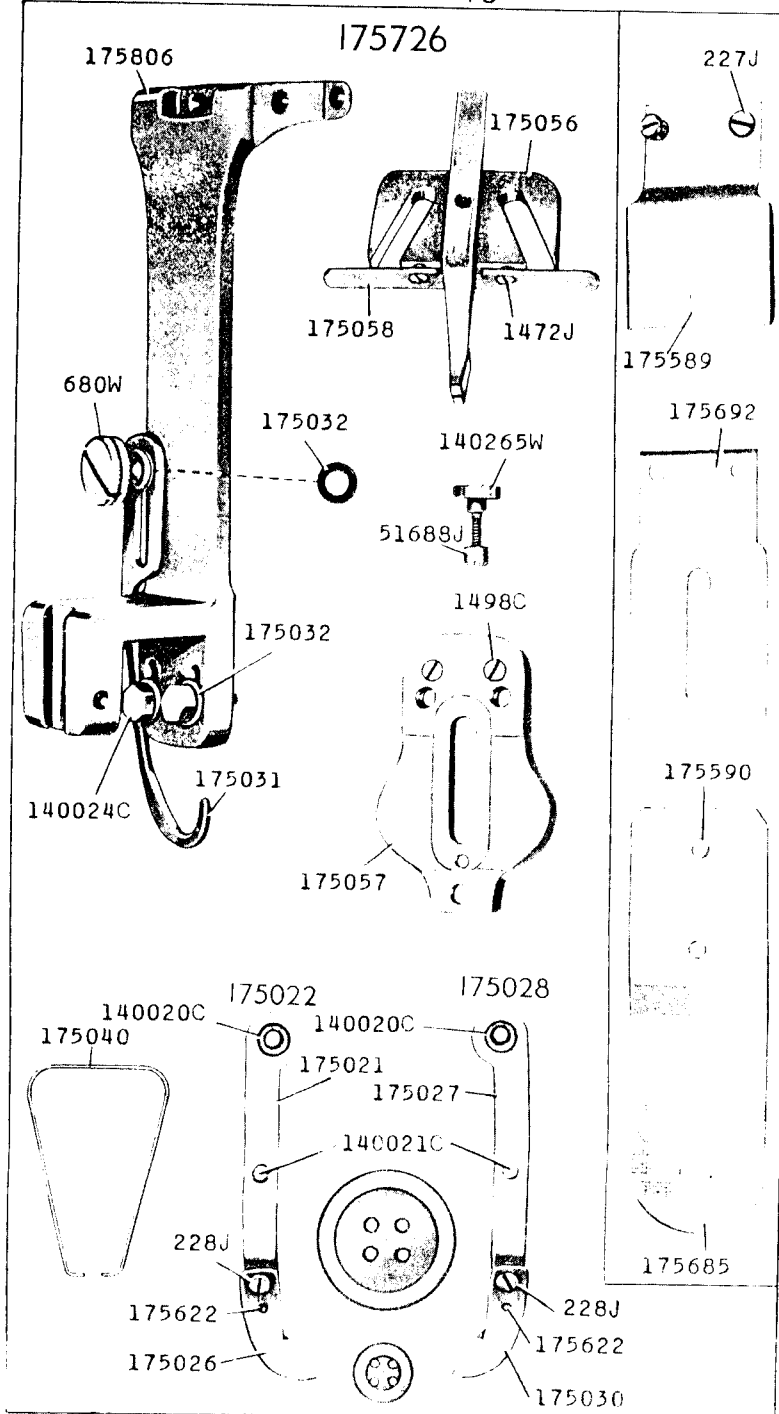
225260



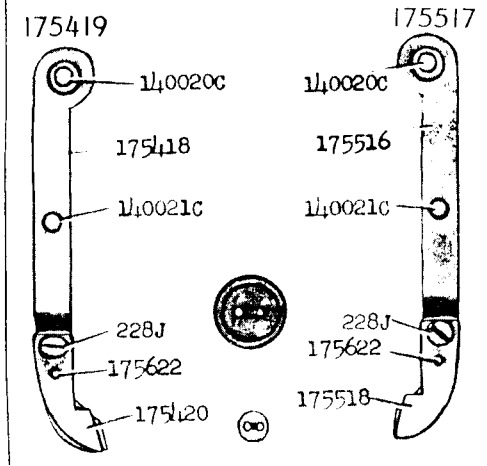
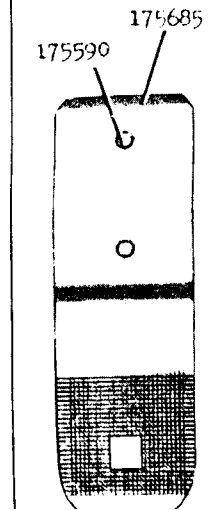
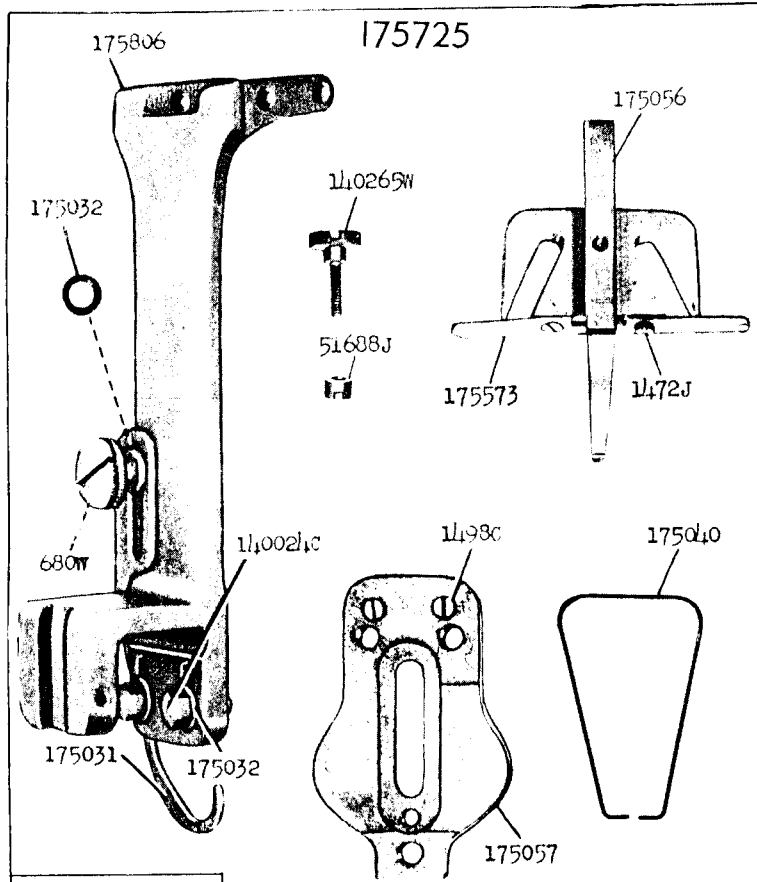
23316 - 1/2



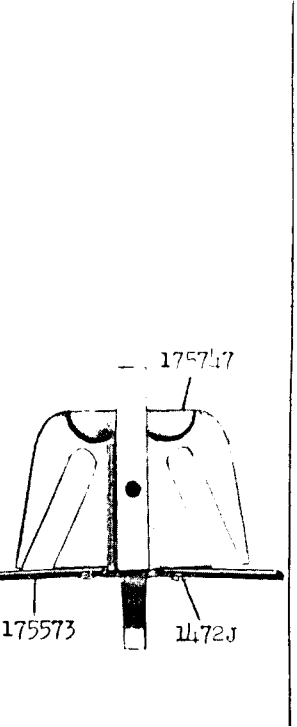
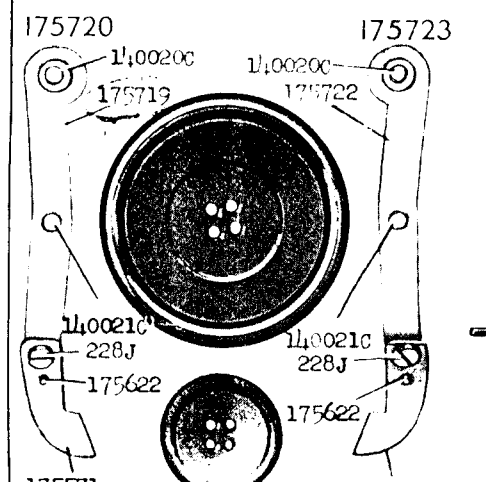
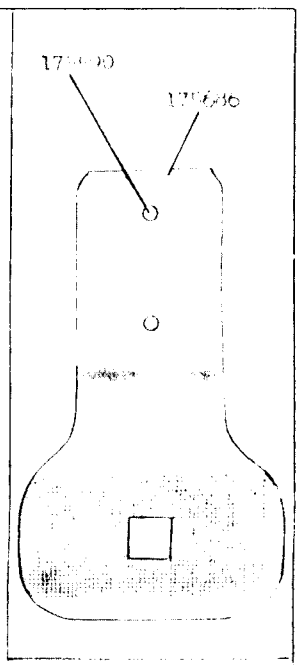
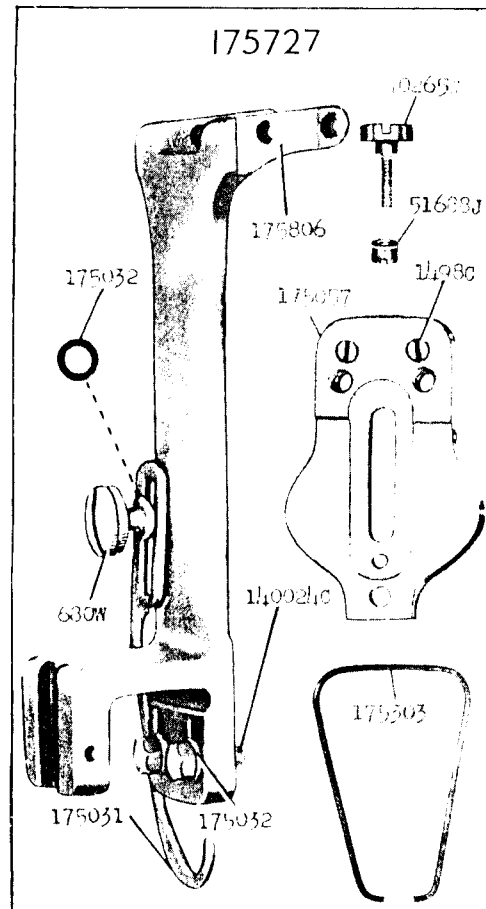
23317 - 2/3



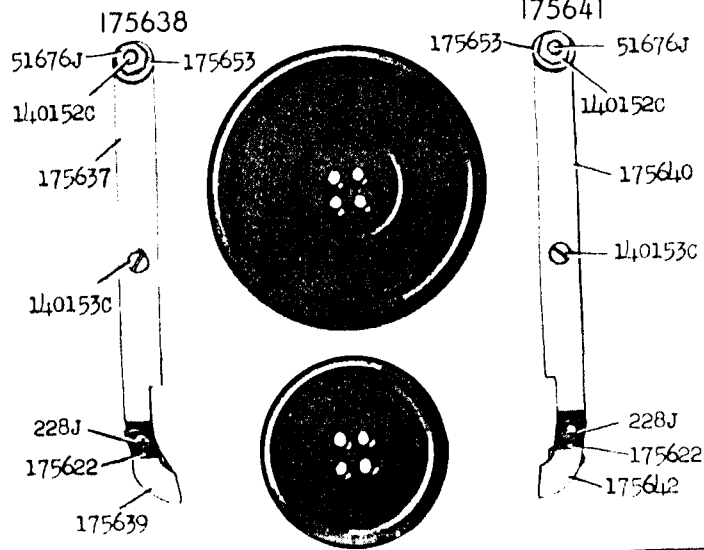
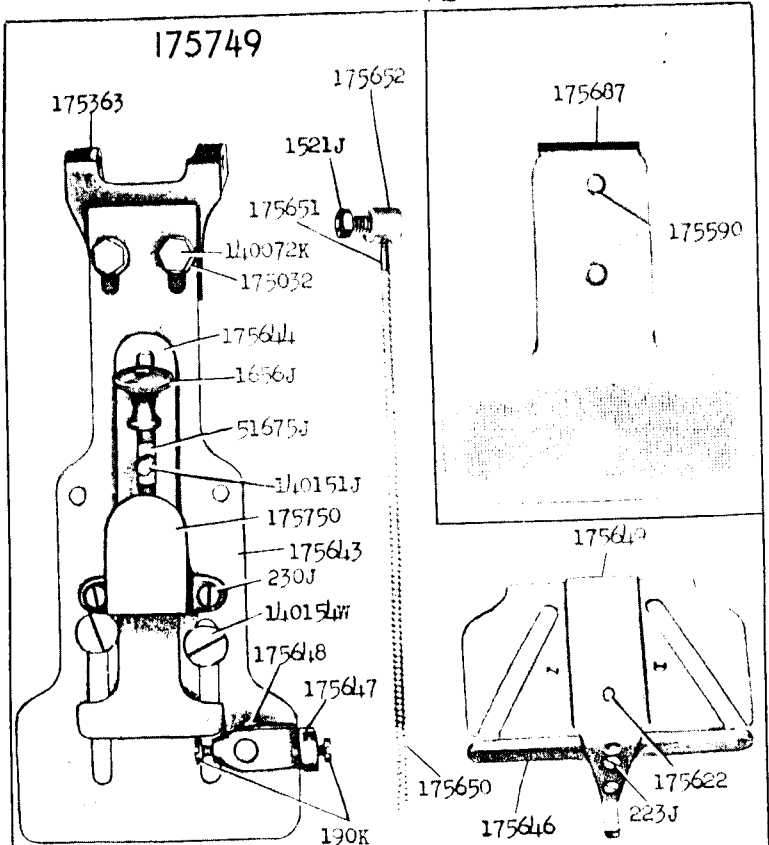
23318 - 2/3



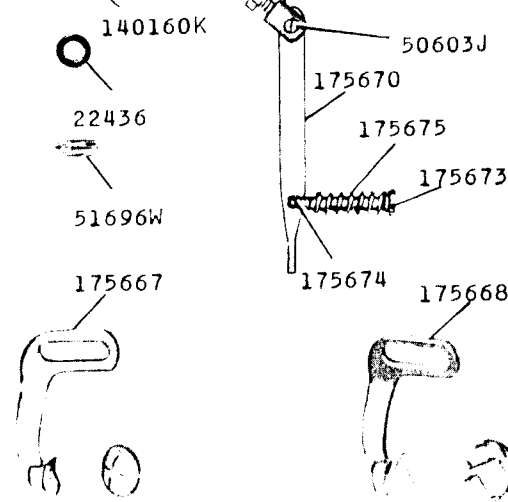
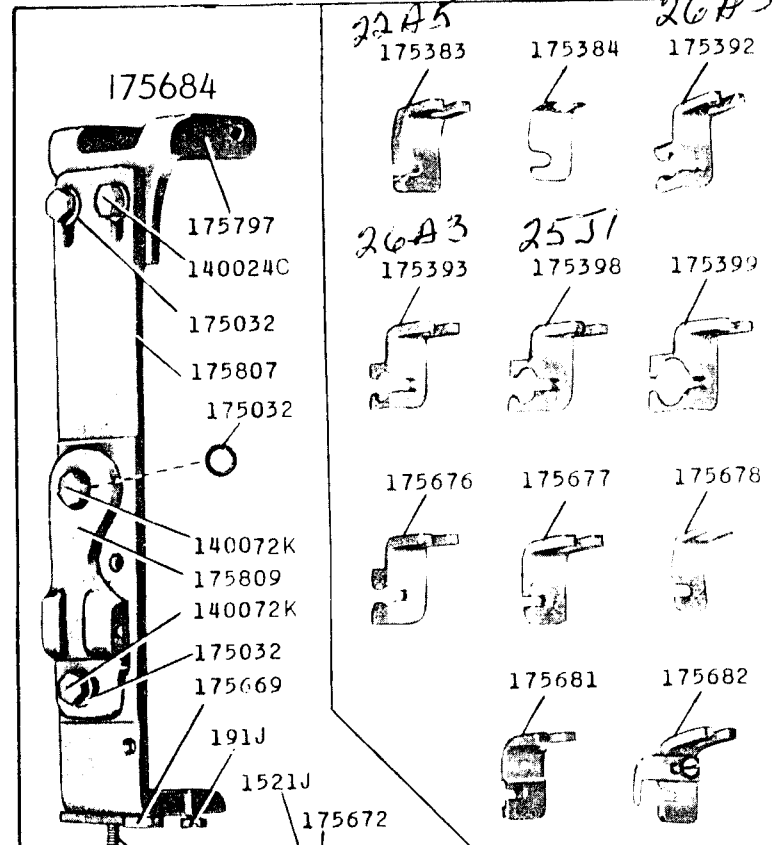
23319 - 2/3

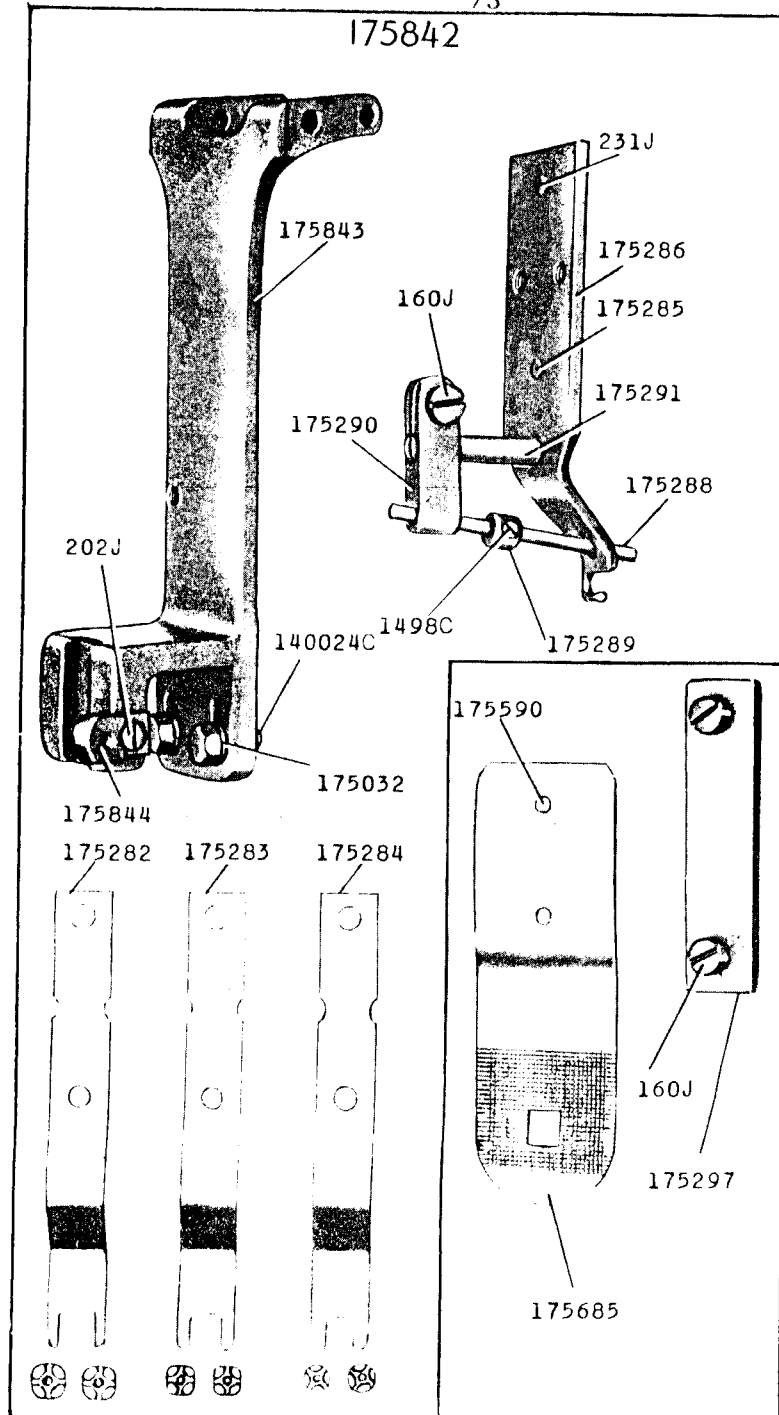
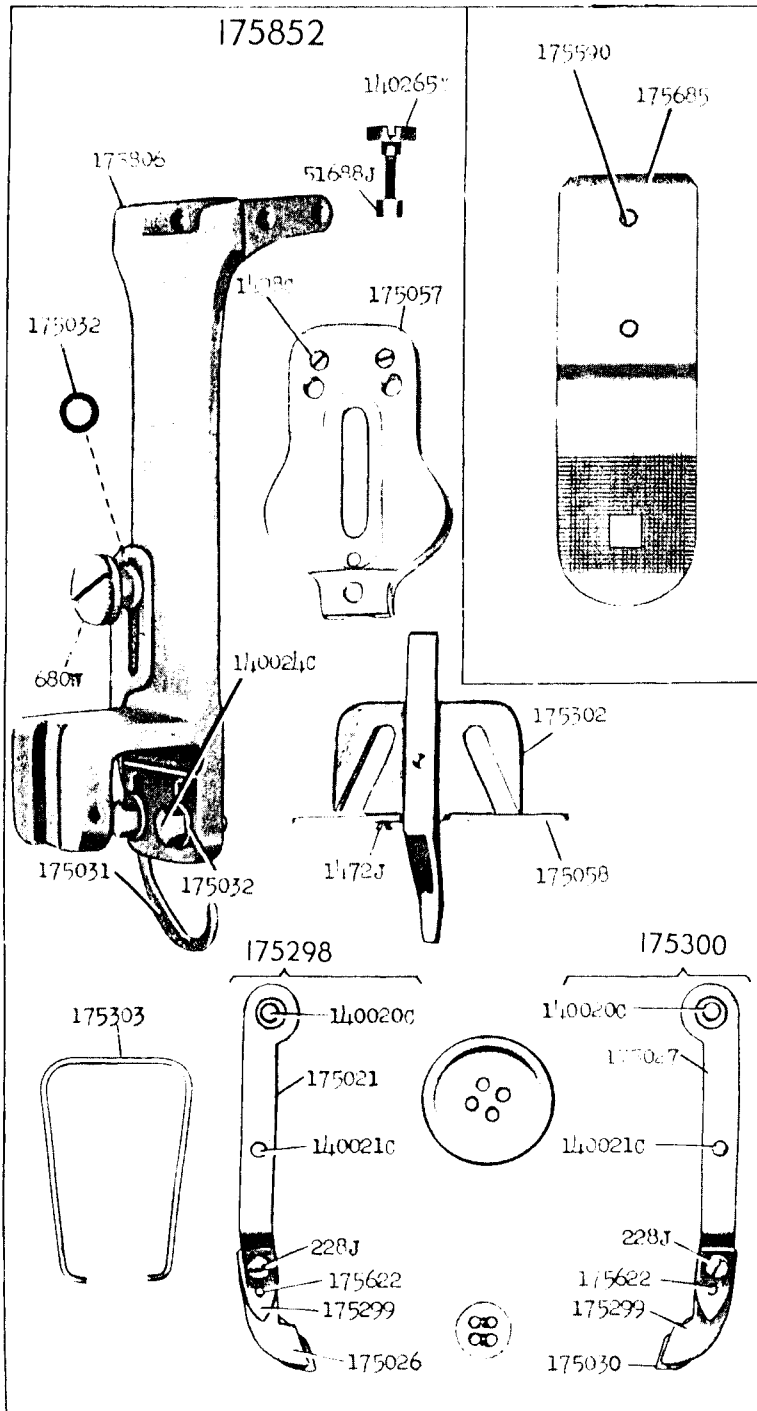


23320 - 1/2

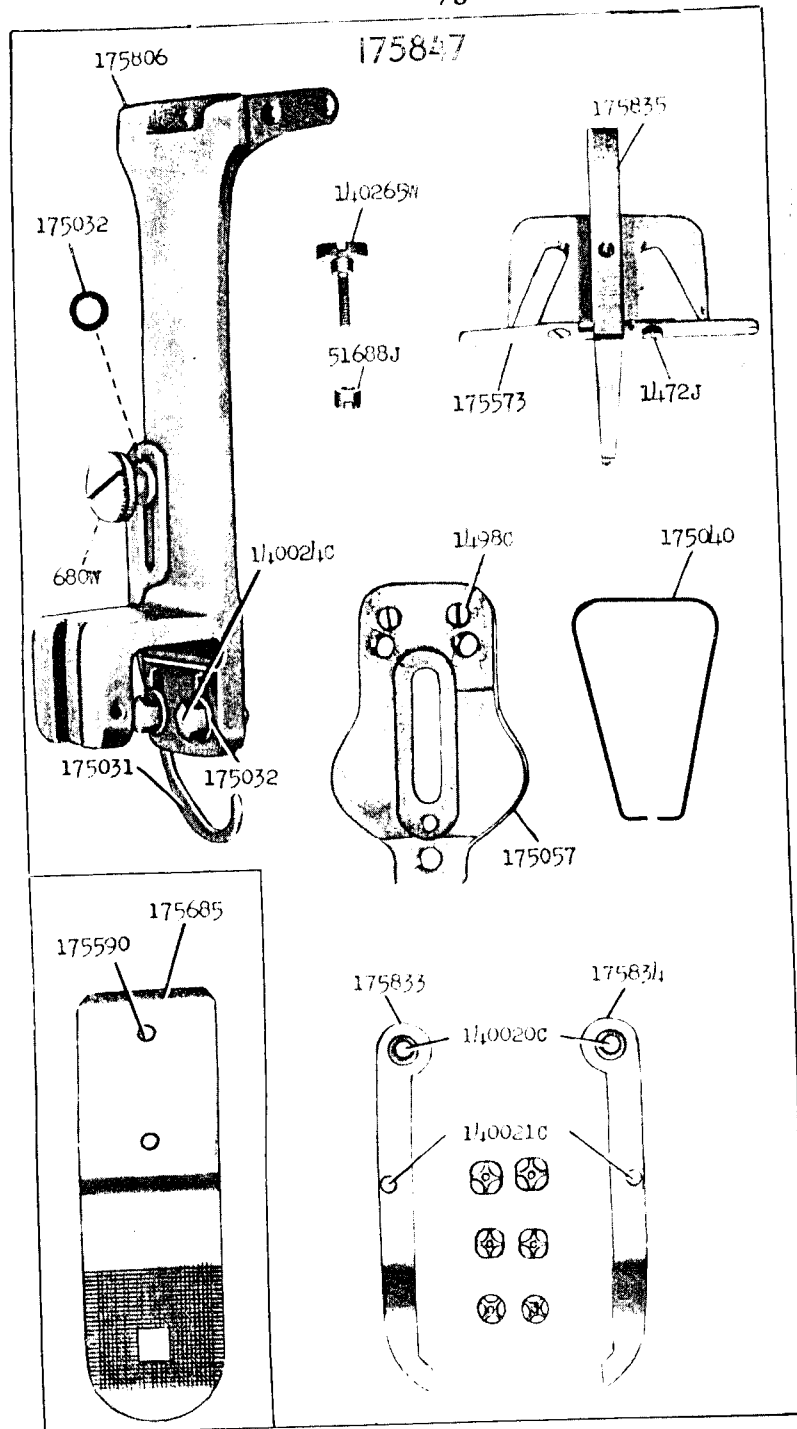


23321 - 1/2





23324 - 2/3



23325 - 2/3

