

SINGER
457U405,U425,U435

ILLUSTRATED

PARTS LIST

FOR

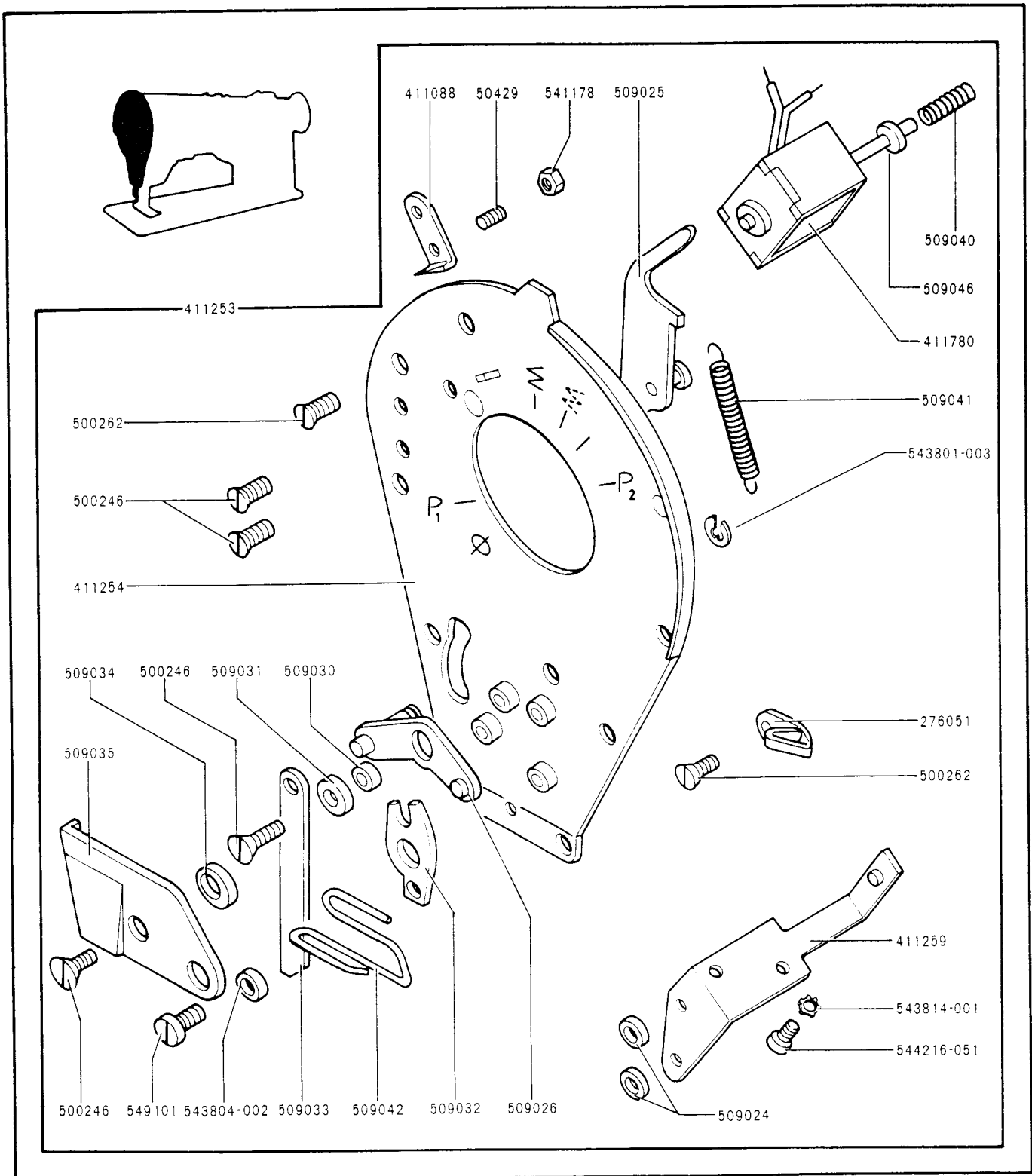
SINGER*

MACHINE

457U405

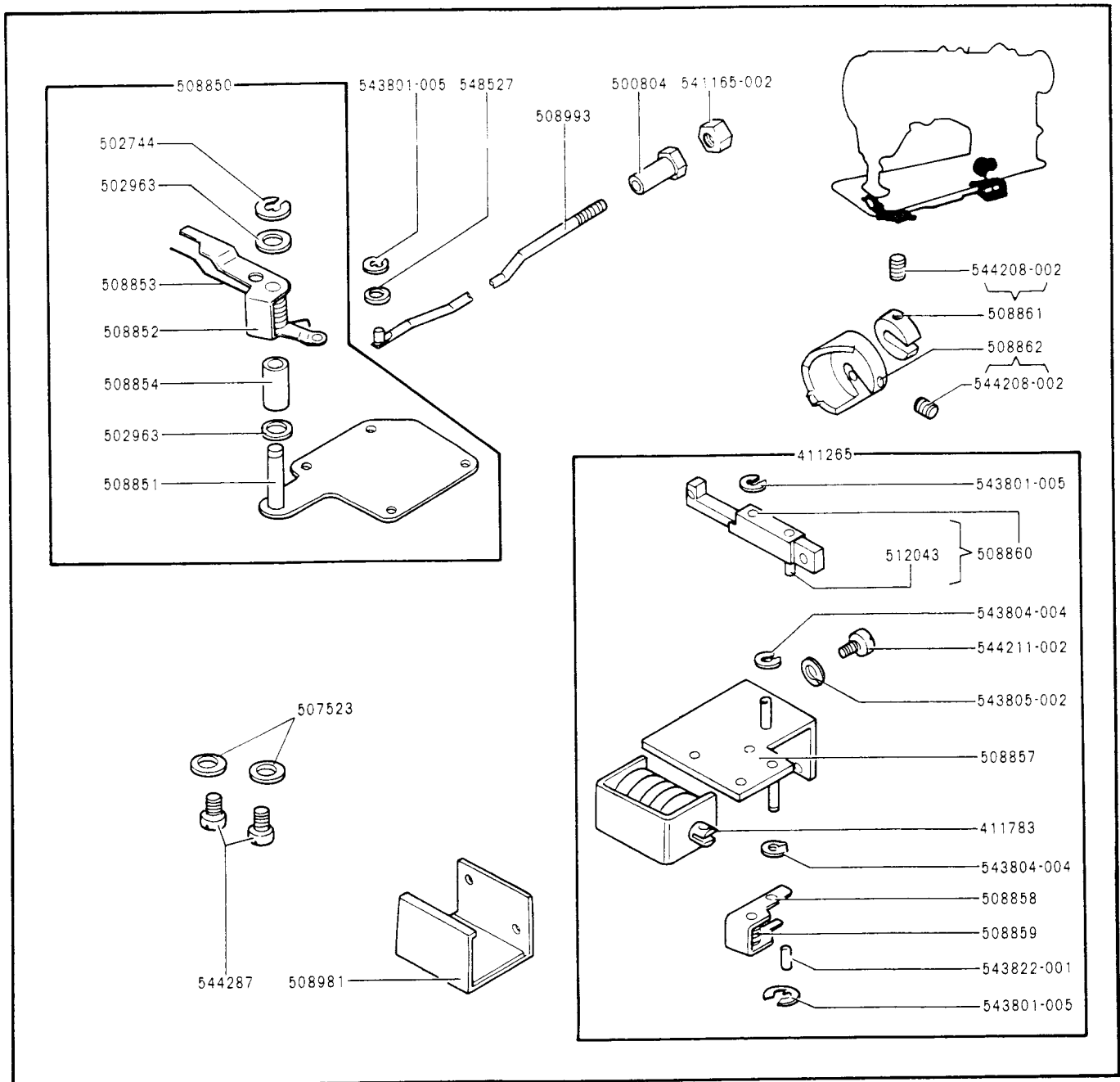
457U425

457U435

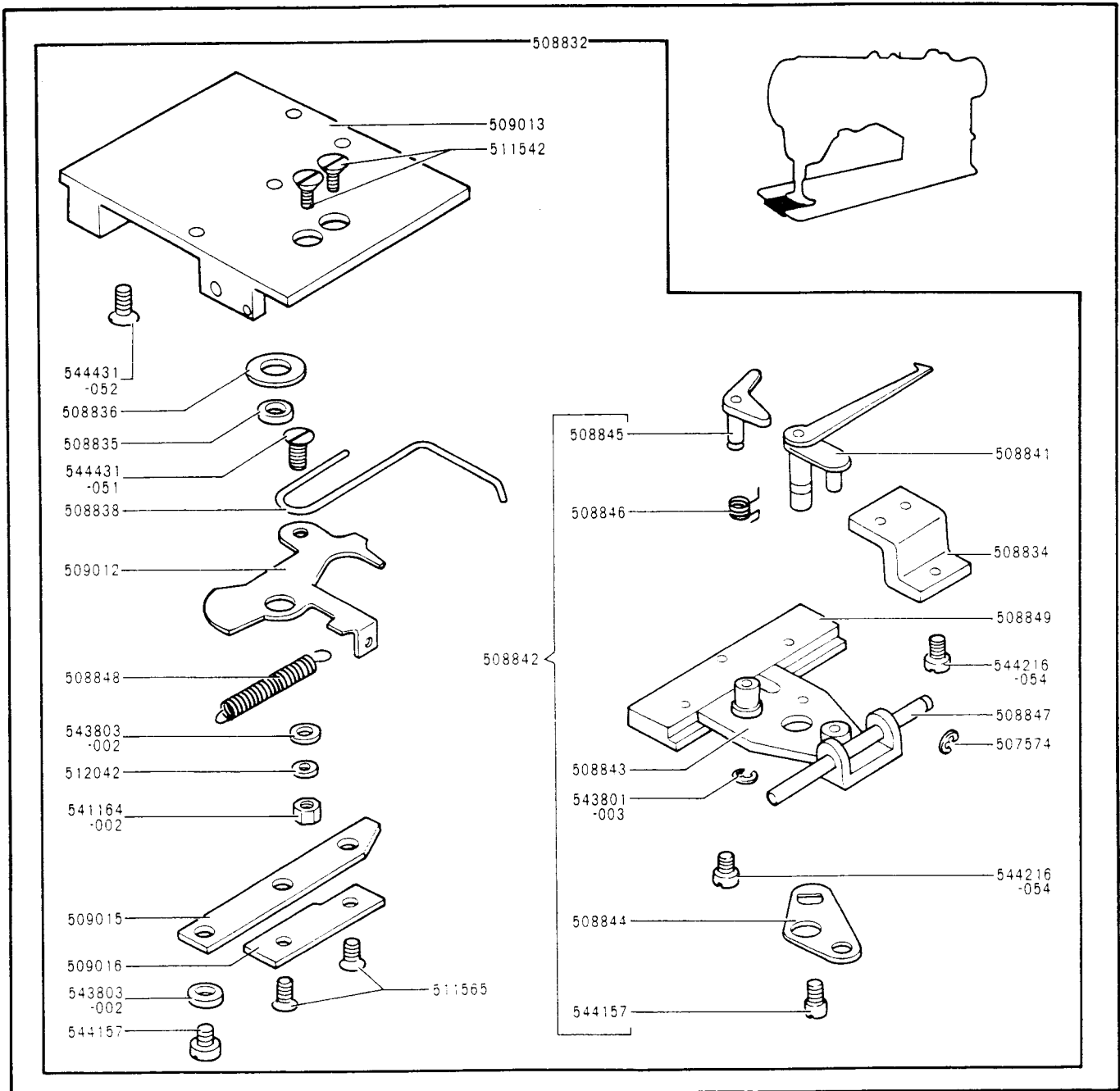


50429-833 THREAD CUTTER (ON FACE PLATE) ADJUSTING SCREW
 276051 THREAD CUTTER THREAD GUIDE (ON FACE PLATE)
 411088 THREAD CUTTER (ON FACE PLATE)
 411253 FACE PLATE CPL. 504019, 276051, 411088, 411254,
 411259, 411780, 509025, 509026, 509030 TO 509035,
 509040 TO 509042, 509046, 541178, 543801-003,
 543804-002, 549101 TWO ESCH 500262, 504024,
 543814-001, 544216-051 AND FOUR 500246
 411254 FACE PLATE
 411259 FACE PLATE SOLENOID BRACKET
 411780 FACE PLATE SOLENOID
 500246-850 FACE PLATE SCREW
 500246-850 FACE PLATE COVER PLATE SCREW
 500246-850 FACE PLATE SOLENOID BRACKET SCREW (2)
 500262-833 THREAD CUTTER THREAD GUIDE (ON FACE PLATE) SCREW
 500262-833 TEREAD CUTTER SCREW

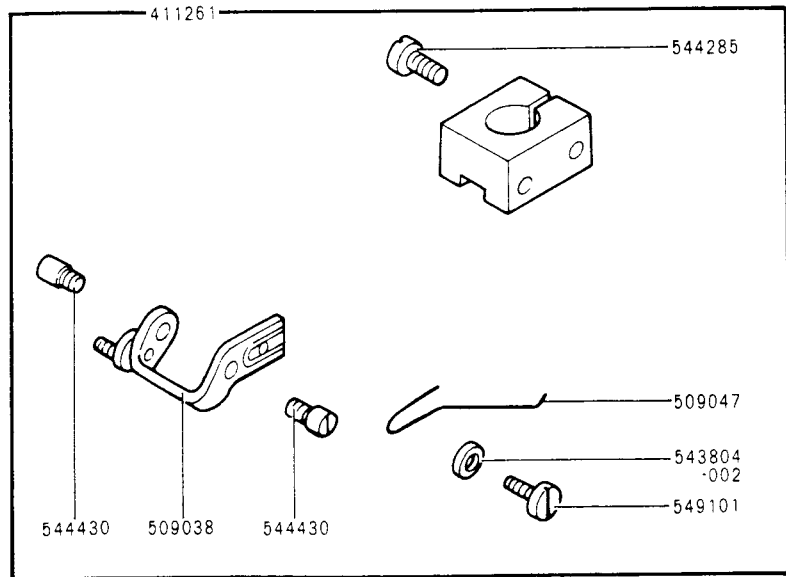
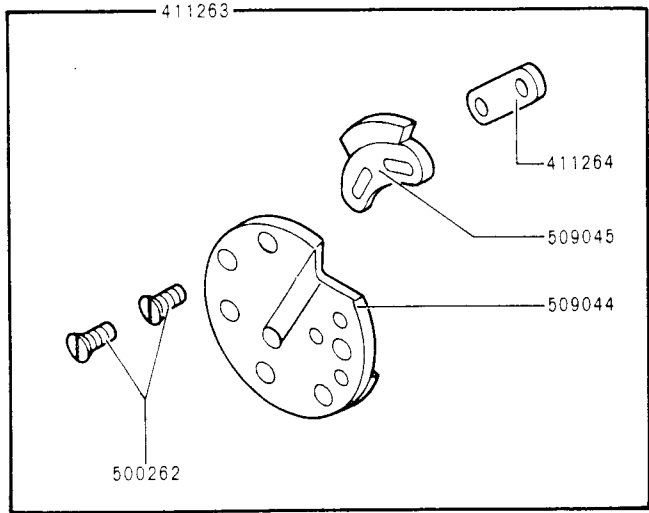
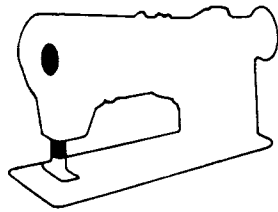
509024 FACE PLATE SOLENOID BRACKET WASHER (2)
 509025 FACE PLATE TRIP PAWL
 509026 FACE PLATE LEVER
 509030 FACE PLATE WASHER
 509031 FACE PLATE WASHER
 509032 FACE PLATE LEVER
 509033 FACE PLATE CONNECTION LINK
 509034 FACE PLATE ECCENTRIC DISC
 509035 FACE PLATE COVER PLATE
 509040 PACE PLATE PRESSURE SPRING (COIL)
 509041 FACE PLATE RETURN SPRING (COIL)
 509042 FACE PLATE THREAD PULLER
 509046 FACE PLATE STUD
 543801-003 FACE PLATE TRIP PAWL SAFETY WASHER
 543804-002 FACE PLATE THREAD PULLER WASHER
 543814-001 FACE PLATE SOLENOID THRUST WASHER (2)



411265	THREAD PULLER RELEASING SOLENOID MOUNTING BRACKET CPL. NOS. 411783, 508857 TO 508860, 543822-001, TWO EACH 543801-005, 543804-004, 543805-002 AND 544211-002	508862	THREAD TRIMMER CONTROL CAM WITH TWO 544208-002
411783	THREAD PULLER RELEASING SOLENOID	508981	THREAD PULLER RELEASING SOLENOID COVER
500804	THREAD PULLER CONNECTING ROD ADJUSTING SCREW	508993	THREAD PULLER CONNECTING ROD
502744	THREAD PULLER RETURN LEVER RETAINING RING	512043	THREAD TRIMMER CONTROL CAM FOLLOWER PIN
502963	THREAD PULLER RETURN LEVER WASHER (2)	543801-005	THREAD PULLER CONNECTING ROD RETAINING RING
507523	THREAD PULLER RELEASING SOLENOID MOUNTING BRACKET SCREW WASHER(2)	543801-005	THREAD TRIMMER CONTROL CAM FOLLOWER RETAINING PAWL RETAINING RING
508850	THREAD PULLER ACTUATING MECHANISM WITH 502744, 508851, 508852, 508853, 508854 AND TWO 502963	543804-004	THREAD TRIMMER CONTROL CAM FOLLOWER SPACER
508851	HOOK SHAFT GEAR BOX COVER	543804-004	THREAD TRIMMER CONTROL CAM FOLLOWER RETAINING PAWL WASHER
508852	THREAD PULLER RETURN LEVER	543822-001	THREAD TRIMMER CONTROL CAM FOLLOWER RETAINING PAWL ROLL PIN
508853	THREAD PULLER ACTUATING SPRING	543805-002	THREAD PULLER RELEASING SOLENOID MOUNTING SCREW LOCK WASHER (2)
508854	THREAD PULLER RETURN LEVER BUSHING	541165-002	THREAD PULLER CONNECTING ROD ADJUSTING SCREW LOCK NUT
508857	THREAD PULLER RELEASING SOLENOID MOUNTING BRACKET	544208-002	THREAD TRIMMER CONTROL CAM POSITIONING COLLAR SET SCREW (2)
508858	THREAD TRIMMER CONTROL CAM FOLLOWER RETAINING PAWL	544208-002	THREAD TRIMMER CONTROL CAM SET SCREW (2)
508859	THREAD TRIMMER CONTROL CAM FOLLOWER RETAINING PAWL RETURN SPRING	544211-002	THREAD PULLER RELEASING SOLENOID MOUNTING SCREW (2)
508860	THREAD TRIMMER CONTROL CAM FOLLOWER WITH 512043	544287	THREAD PULLER RELEASING SOLENOID MOUNTING BRACKET SCREW
508861	THREAD TRIMMER CONTROL CAM POSITIONING COLLAR WITH TWO 544208-002	548527	THREAD PULLER CONNECTING ROD RETAINING RING WASHER

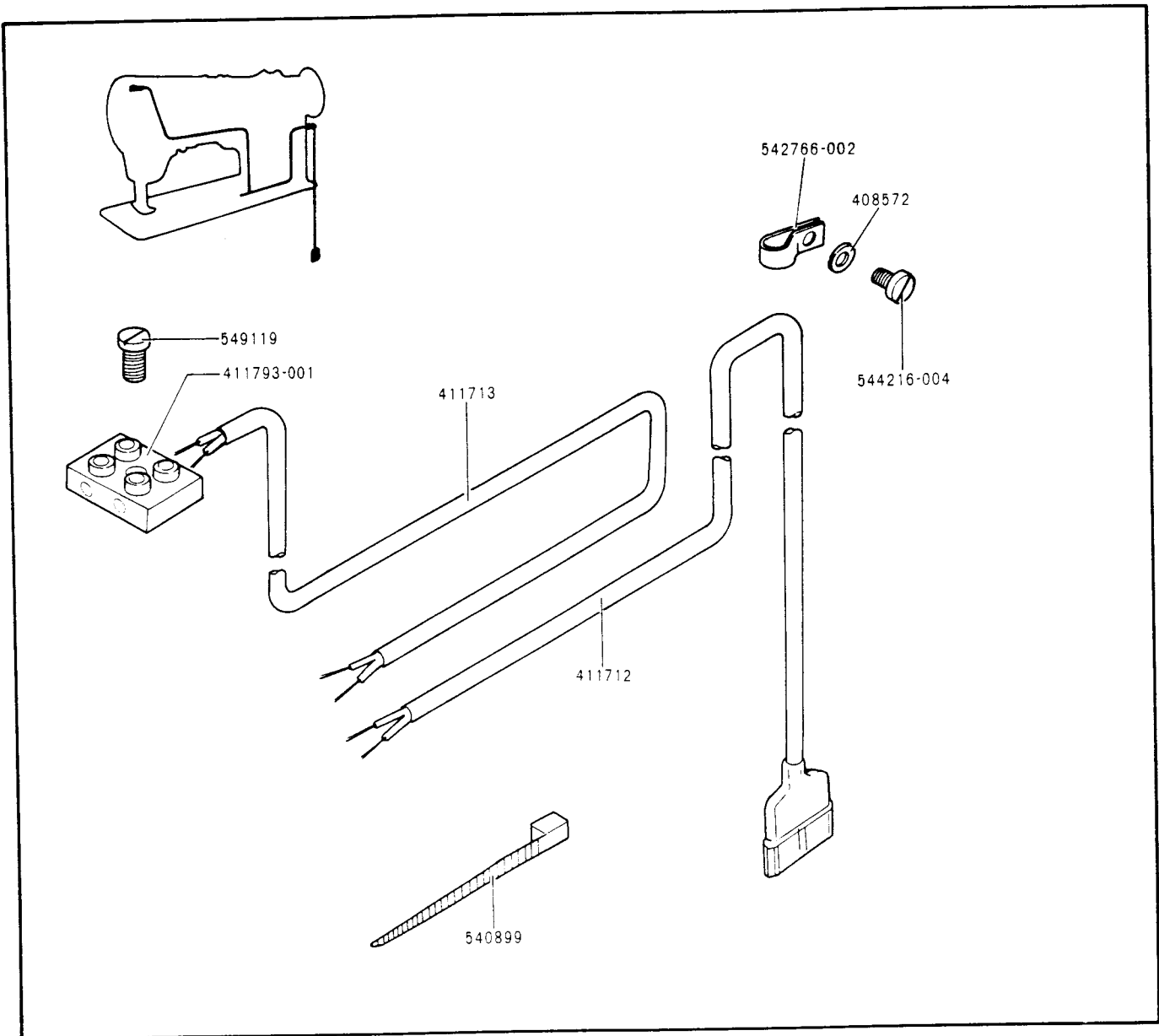


507574	THREAD PULLER CARRIAGE SHAFT RETAINING RING	508846	KNIFE OPENING PAWL RETURN SPRING
508832	THREAD PULLING AND TRIMMING UNIT CPL. NOS. 507574, 508834, 508835, 508836, 508838, 508841, 508842, 508847, 508848, 508849, 509012, 509013, 509015, 509016, 512042, 541164-002, 544157, 544431-051, 544431-052 AND TWO EACH 511542, 511565, 543803-002 AND 544216-054	508847	THREAD PULLER CARRIAGE SHAFT
508834	PIVOTING KNIFE STOP	508848	PIVOTING KNIFE BIAS SPRING
508835	PIVOTING KNIFE BUSHING	508849	THREAD PULLER CARRIAGE RETAINING PLATE
508836	PIVOTING KNIFE SPACER	509012	PIVOTING KNIFE
508838	THREAD POSITIONING WIRE	509013	BED SLIDE
508841	THREAD PULLER FINGER	509015	COUNTER KNIFE
508842	THREAD PULLER CARRIAGE CPL. NOS. 508843 TO 508846, AND 544157, 543801-003 AND TWO 544216-054	509016	COUNTER KNIFE RETAINING PLATE
508843	THREAD PULLER CARRIAGE	511542-850	PIVOTING KNIFE STOP SECURING SCREW (2)
508844	THREAD PULLER FINGER STOP PLATE	511565-850	KNIFE RETAINING PLATE SECURING SCREW (2)
508845	KNIFE OPENING PAWL	512042	THREAD POSITIONING WIRE TENSION WASHER
		541164-002	THREAD POSITIONING WIRE SECURING NUT
		543801-003	KNIFE OPENING PAWL RETAINING RING
		543803-002	THREAD POSITIONING WIRE WASHER (2)
		544216-054	BED SLIDE SECURING SCREW (2)
		544431-051	THREAD POSITIONING WIRE SECURING SCREW
		544431-052	THREAD PULLER CARRIAGE RETAINING PLATE SECURING SCREW (2)



411261 CLAMPING PIECE CPL. NOS. 509038, 509047,
533804-002, 544285, 549101 AND TWO 544430
411263 ROTARY TAKE UP MOUNTING DISC CPL. NOS.
411264, 509044, 509045 AND TWO EACH 500262
411264 ROTARY TAKE UP MOUNTING DISC CATCH NUT
500262-833 ROTARY TAKE UP MOUNTING DISC SCREW (2)
509038 CLAMPING PIECE YOKE
509044 ROTARY TAKE UP MOUNTING DISC

509045 ROTARY TAKE UP MOUNTING DISC CATCH
509047 CLAMPING PIECE THREAD WIPER
543801-003 SAFETY WASHER
543804-002 TEREAD WIPER SCREW WASHER
544285 CLAMPING PIECE SCREW
544430 CLAMPING PIECE YOKE SCREW (2)
549101 THREAD WIPER SCREW

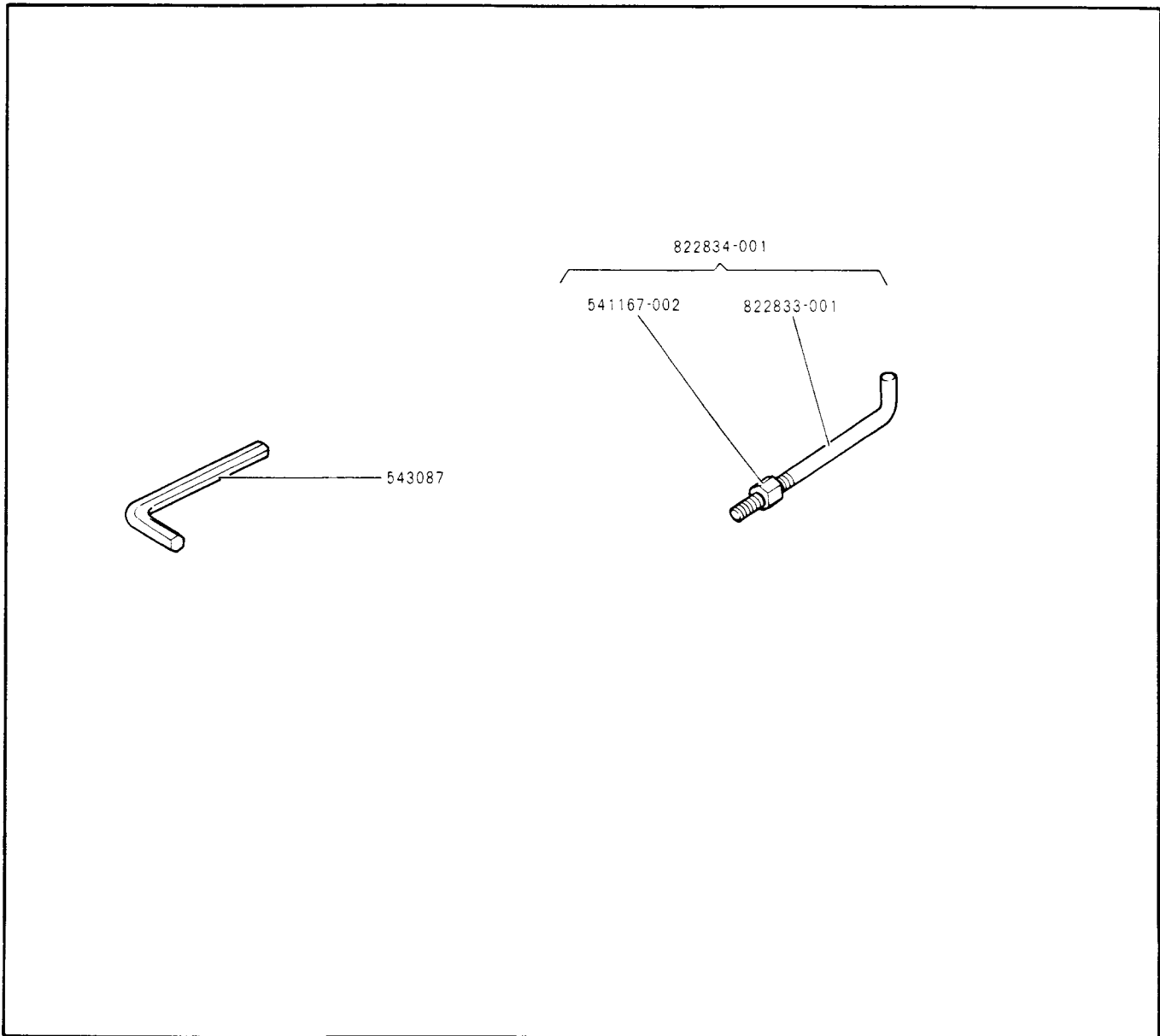


408572 CABLE CLAMP SCREW WASHER
 411712 WIRE HARNESS (LONG)
 411713 WIRE HARNESS (SHORT)
 411793-001 ELECTRIC TERMINAL (UPPER)

540899 CABLE RETAINER
 542766-002 CABLE CLAMP
 544216-004 CABLE CLAMP SCREW
 549119 ELECTRIC TERMINAL SECURING SCREW

PART NO. DESCRIPTION

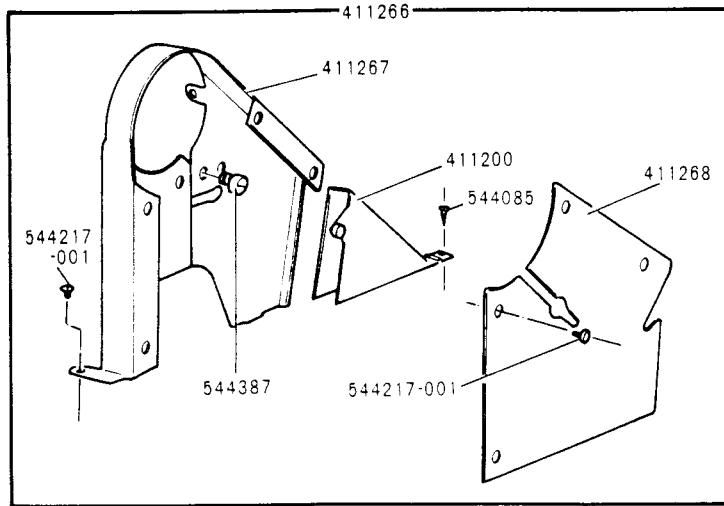
PART NO. DESCRIPTION



ACCESSORIES

541167-002	SENSOR ANTI-ROTATION ROD NUT
543087	HEXAGON WRENCH
822833-001	SENSOR ANTI-ROTATION ROD
822834-001	SENSOR ANTI-ROTATION ROD WITH NUT

OPTIONAL PARTS



411200	BELT GUARD (LOWER)
411266	BELT GUARD CPL. NOS., 411200, 411267, 411268.
411267	BELT GUARD
411268	BELT GUARD PLATE
544387	TWO 544085 AND EIGHT 544217-001

544085	BELT GUARD (LOWER) SCREW (WOOD) (2)
544217-001	BELT GUARD SCREW (SMALL) (4)
544217-001	BELT GUARD PLATE SCREW (4)
544387	BELT GUARD SCREW (LARGE)