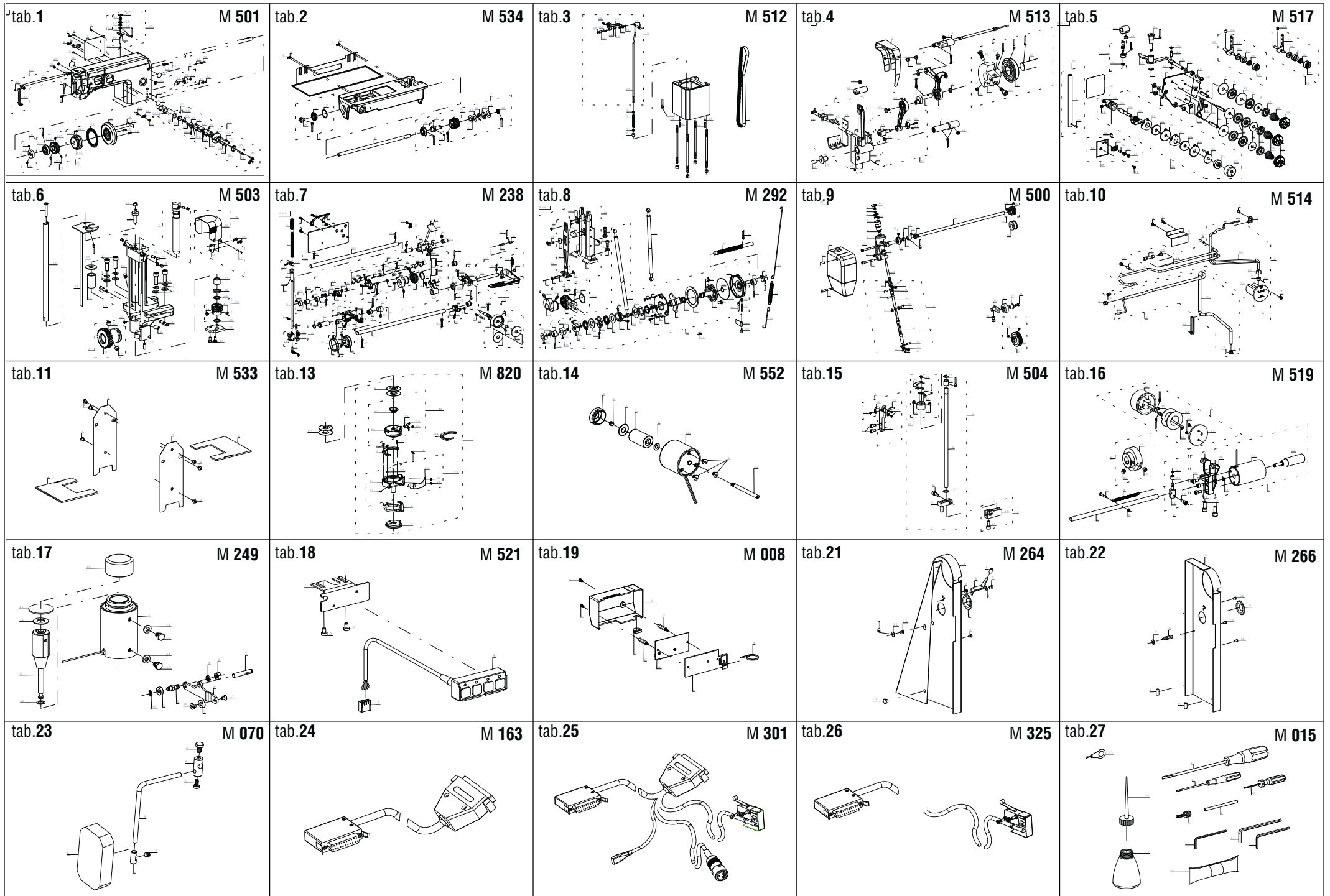
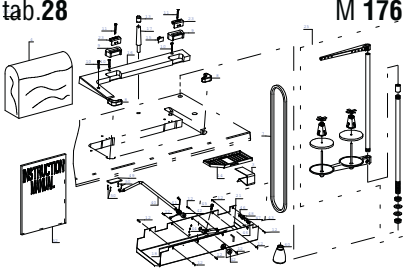
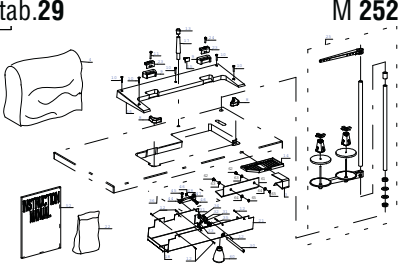
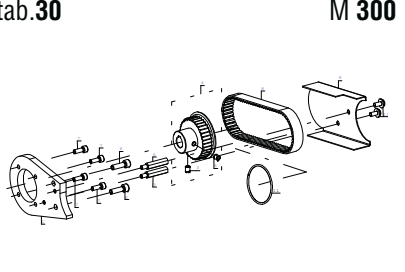
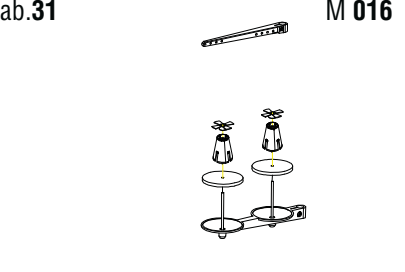
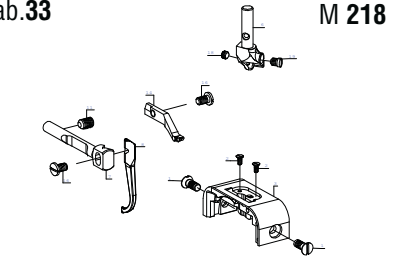
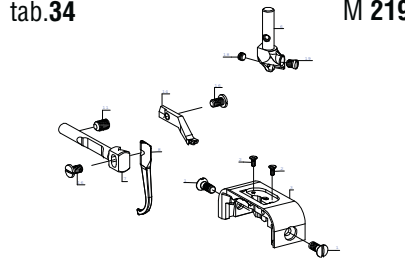
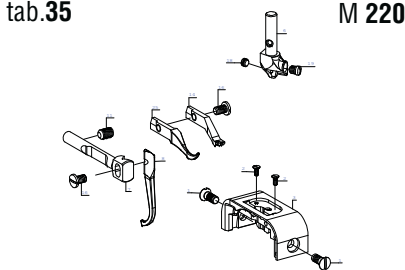
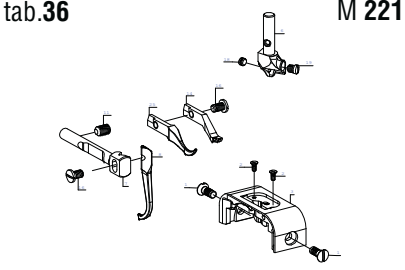
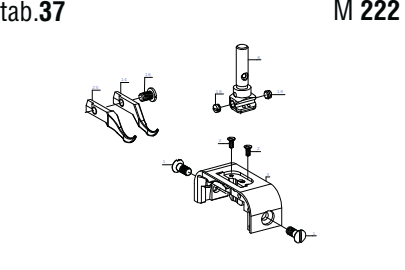

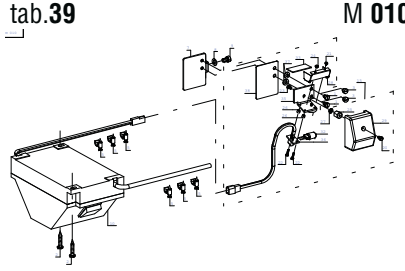
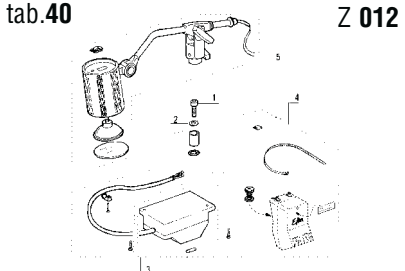
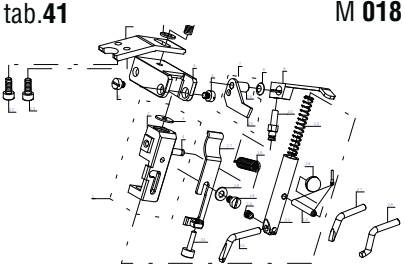
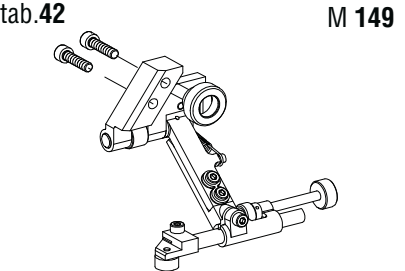
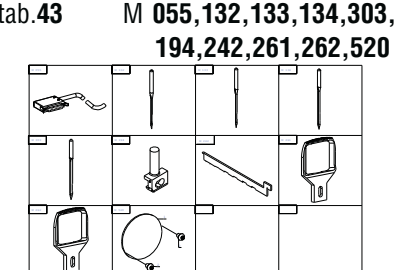
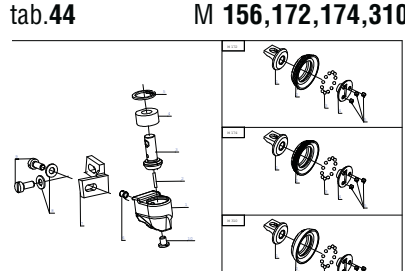
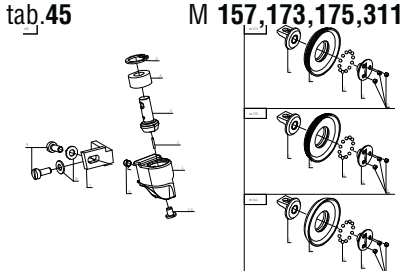
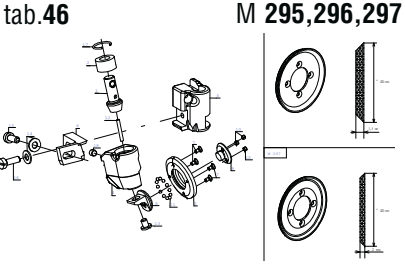




## **Spare parts list**

**4220i - 6**



|   |  |   |   |   |
|---|--|---|---|---|
| <p>tab.28 M 176</p>                | <p>tab.29 M 252</p>                | <p>tab.30 M 300</p>            | <p>tab.31 M 016</p>   | <p>tab.33 M 218</p>   |
| <p>tab.34 M 219</p>               | <p>tab.35 M 220</p>               | <p>tab.36 M 221</p>           | <p>tab.37 M 222</p>  | <p>tab.38 M 224,225,226,227,228,229,230,231,232,233,234</p>  |
| <p>tab.39 M 010</p>               | <p>tab.40 Z 012</p>               | <p>tab.41 M 018</p>           | <p>tab.42 M 149</p>  | <p>tab.43 M 055,132,133,134,303,194,242,261,262,520</p>      |
| <p>tab.44 M 156,172,174,310</p>  | <p>tab.45 M 157,173,175,311</p>  | <p>tab.46 M 295,296,297</p>  |   |   |
|   |  |   |   |   |

## How to read the spare parts list :

- The list is grouped according to construction modules. A module is a group of parts fulfilling in the machine a concrete function. The abbreviated module designation is given in the left top corner both of the drawing and of the text. The complete module designation (as given in the delivery note) is related to the abbreviated designation as follows:

Abbreviated                      Complete  
MXXX                                =        S980 000XXX


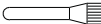
Items in the order are presented under complete code (ten-digit number)

- This catalogue is common for a number of machine models whose type designation agrees with the first five digits printed on the catalogue cover. The complete type designation of the machine is then used for identifying the modules (lists of parts) mounted on the machine in question.

The complete type designation has the following structure:

XXXX       -        XXX       -        XXX  
Class            Subclass       Sewing category

The contents is divided into sections corresponding to this structure. A table situated at the head of each section gives information on which modules are applied to a particular machine model. The machine class and subclass are printed on the label situated on the machine bed plate and visible with tilted machine head. The sewing category is indicated on the tag supplied together with the machine.

- All items, the complete code (ten-digit number) of which are presented in the tables there is possible to order as spare parts.
- The symbol  shows that the part is to be lubricated by grease (used for the machine assembly).
- The symbol  shows that the part is glued (used for the machine assembly).

Parts marked in the drawings with the symbol \* and with the remark \* SPARE PARTS SUPPLIED WITH THE MACHINE are attached with head of machine.

## CONTENTS:

### Modules of machine head and of enclosed accessories

| Abbreviated module No.                              | Ordering (complete) module No. | Denomination                                      | Table No. |
|---|--------------------------------|---|-----------|
| <b>Class</b> (modules identical for all subclasses) |                                |   |           |
| M 501   |                                | Machine arm                                       | 1         |
| M 534   |                                | Bed plate   | 2         |
| M 512   |                                | Post-bed  | 3         |
| M 513   |                                | Needle and thread mechanism                       | 4         |
| M 517   |                                | Thread tensioner plate                            | 5         |
| M 503   |                                | Post-bed for sewing hook                          | 6         |
| M 238   |                                | Bottom feed                                       | 7         |
| M 292   |                                | Clutch with post                                  | 8         |
| M 500   |                                | Top roller drive                                  | 9         |
| M 514   |                                | Lubrication                                       | 10        |
| M 533   |                                | Covers of posts                                   | 11        |
| <b>Subclass</b>                                     |                                |   |           |
| -   |                                | Table of subclasses                               | 12        |
| M 820   |                                | Sewing hook                                       | 13        |
| M 552   | S980 000552                    | Electromagnetically controlled top roller lifting | 14        |
| M 504   | S980 000504                    | Thread trimmer                                    | 15        |
| M 519   | S980 000519                    | Thread trimmer drive                              | 16        |
| M 249   | S980 000249                    | Electromagnetically controlled backtacking        | 17        |
| M 521   | S980 000521                    | Push-button panel                                 | 18        |
| M 008   | S980 000008                    | Electrical switch board                           | 19        |
| M 520   | S980 000520                    | Parts for machine without trimming                | 43        |

| Abbreviated<br>module No.  | Ordering (complete)<br>module No. | Denomination  | Table No. |
|----------------------------|-----------------------------------|---|-----------|
| <b>Parts sets</b>          |                                   |   |           |
| -                          |                                   | Table of parts sets   | 20        |
|                            | 4200 001000                       | Parts set for V-belt drive (clutch motor)                   | 20        |
|                            | 4200 007000                       | Parts set for V-belt drive (stopmotor EFKA)                 | 20        |
|                            | 4200 007100                       | Parts set for V-belt drive (without stopmotor)              | 20        |
|                            | 4200 009000                       | Parts set for indented belt drive (minimotor EFKA)          | 20        |
|                            | 4200 009100                       | Parts set for indented belt drive (without minimotor ) *    | 20        |
| <b>Sewing equipment</b>    |                                   |   |           |
| -                          |                                   | Table of sewing equipment                                   | 32        |
|                            | 4220 E60100                       | Sewing set for needles 60-80 class 100                      | 32        |
|                            | 4220 E60200                       | Sewing set for needles 80-110 class 200                     | 32        |
|                            | 4220 E60300                       | Sewing set for needles 110-140 class 300                    | 32        |
|                            | 4220 E60400                       | Sewing set for needles 140-160 class 400                    | 32        |
| <b>Optional equipments</b> |                                   |   |           |
| M 010                      | S980 000010                       | Lighting  | 39        |
| Z 012                      | S794 222012                       | Lighting halogen (12 V, 20 W - contains transformer)        | 40        |
| M 018                      | S980 000018                       | Sewn work guide   | 41        |
| M 149                      | S980 000149                       | Sewn work guide   | 42        |
| M 242                      | S980 000242                       | Adjustable gauge  | 43        |
| M 194                      | S980 000194                       | Rear needle guide holder                                    | 43        |
| M 326                      | S980 000326                       | Top roller ø 25 mm cpl. (contain M 156,M 172)               | 44        |
| M 327                      | S980 000327                       | Top roller ø 25 mm rubber coated cpl. (contain M 156,M 174) | 44        |
| M 328                      | S980 000328                       | Top roller ø 25 mm smooth cpl. (contain M 156,M 310)        | 44        |
| M 329                      | S980 000329                       | Top roller ø 35 mm cpl. (contain M 157,M 173)               | 45        |
| M 330                      | S980 000330                       | Top roller ø 35 mm rubber coated cpl. (contain M 157,M 175) | 45        |
| M 331                      | S980 000331                       | Top roller ø 35 mm smooth cpl. (contain M 157,M 311)        | 45        |
| M 332                      | S980 000332                       | Top roller ø 45 mm, width 2.0 mm cpl. (contain M 295,M 296) | 46        |
| M 333                      | S980 000333                       | Top roller ø 45 mm, width 3.8 mm cpl. (contain M 295,M 297) | 46        |

\*Delivery is possible with another minimotor than EFKA.

**Table of subclasses machines and remove modules**

|                  | Module       |                         |   |                |              |                      |  |                   |  |  |  |  |  |
|------------------|--------------|-------------------------|---|----------------|--------------|----------------------|--|-------------------|--|--|--|--|--|
|                  | Sewing hook  | Electrical switch board | Electromagnetically controlled top roller lifting | Thread trimmer | Set of parts | Thread trimmer drive | Electromagnetically controlled backtacking | Push-button panel |  |  |  |  |  |
| Classe-subclasse | <b>M 820</b> | <b>M 008</b>            | <b>M 552</b>                                      | <b>M 504</b>   | <b>M 520</b> | <b>M 519</b>         | <b>M 249</b>                               | <b>M 521</b>      |  |  |  |  |  |
| 4220i - 611      | ●            |                         |   |                | ●            |                      |  |                   |  |  |  |  |  |
| 4220i - 647      | ●            | ●                       | ●   | ●              |              | ●                    | ●  | ●                 |  |  |  |  |  |

**Table of parts sets**

(delivered with head of sewing machine)

| Parts set   | Cover of belt       | Knee lever          | Connecting cable    | Standard accessories | Special accessories | Set for mini-stop   | Enlarged bobbin stand |
|-------------|---------------------|---------------------|---------------------|----------------------|---------------------|---------------------|-----------------------|
| 4200 001000 | <b>M 264</b> tab.21 | <b>M 070</b> tab.23 |                     | <b>M 015</b> tab.27  | <b>M 176</b> tab.28 |                     | <b>M 016</b> tab.31   |
| 4200 007000 | <b>M 264</b> tab.21 | <b>M 070</b> tab.23 | <b>M 163</b> tab.24 | <b>M 015</b> tab.27  | <b>M 176</b> tab.28 |                     | <b>M 016</b> tab.31   |
| 4200 007100 | <b>M 264</b> tab.21 | <b>M 070</b> tab.23 | <b>M 055</b> tab.43 | <b>M 015</b> tab.27  | <b>M 176</b> tab.28 |                     | <b>M 016</b> tab.31   |
| 4200 009000 | <b>M 266</b> tab.22 | <b>M 070</b> tab.23 | <b>M 301</b> tab.25 | <b>M 015</b> tab.27  | <b>M 252</b> tab.29 | <b>M 300</b> tab.30 | <b>M 016</b> tab.31   |
| 4200 009100 | <b>M 266</b> tab.22 | <b>M 070</b> tab.23 | <b>M 325</b> tab.26 | <b>M 015</b> tab.27  | <b>M 252</b> tab.29 | <b>M 300</b> tab.30 | <b>M 016</b> tab.31   |

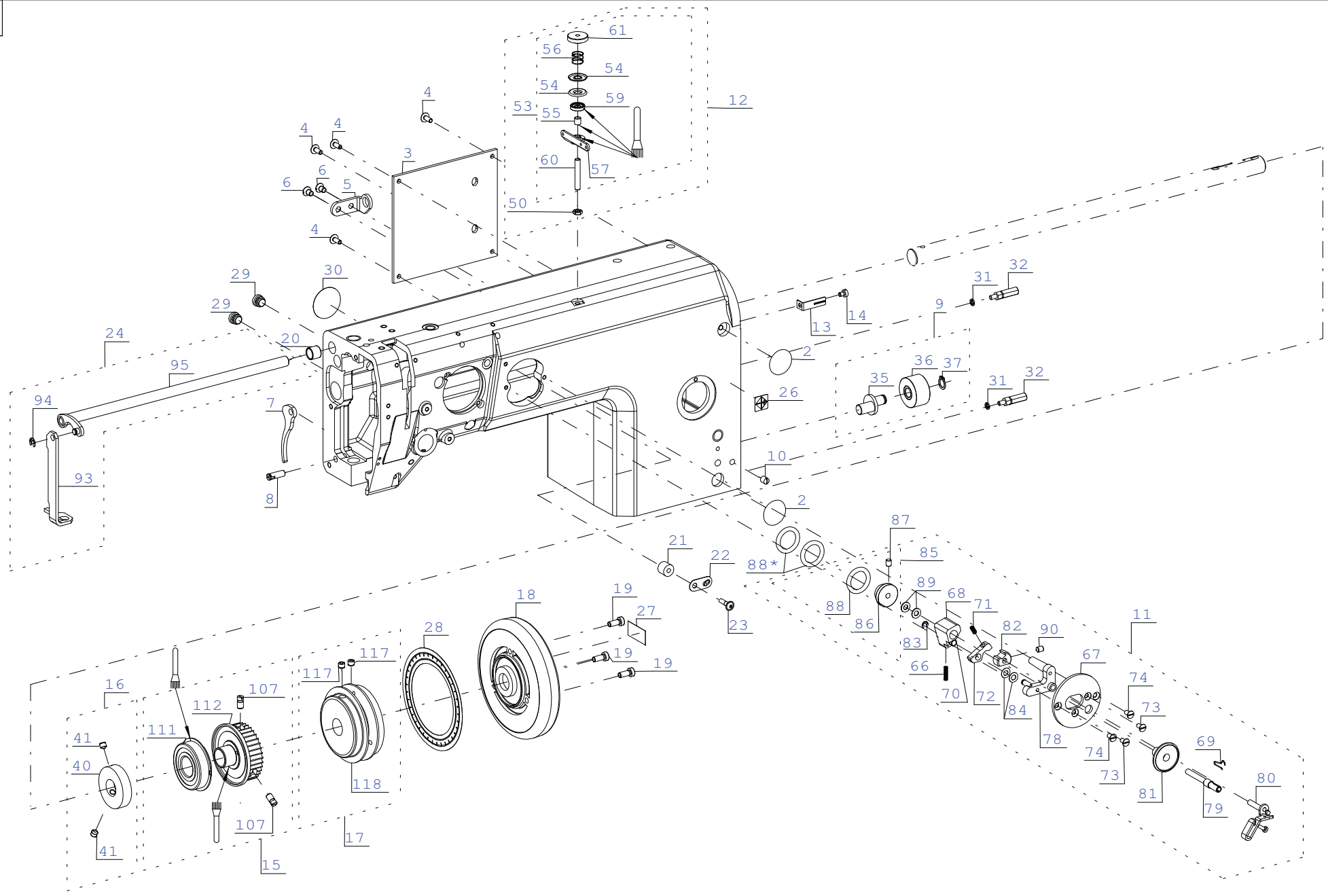
Table of sewing equipment

**Sewing equipment 4220i - 6**

| Class, subclass, sewing category | Sewing material    | Equipment No. | (mm)         | Distance between seams       |
|----------------------------------|--------------------|---------------|--------------|------------------------------|
| 4220i - 6XX - 100                | light L            | 4220 E60100 * | <b>1,2</b>   |                              |
| - 100                            | light L            |               |              |                              |
| - 200                            | medium M           | 4220 E60200 * | <b>1,6</b>   |                              |
| - 300                            | medium-heavy M - H |               |              |                              |
| - 200                            | medium M           |               |              |                              |
| - 300                            | medium-heavy M - H | 4220 E60300 * | <b>2,0</b>   |                              |
| - 400                            | heavy H            |               |              |                              |
| - 200                            | medium M           |               |              |                              |
| - 300                            | medium-heavy M - H |               | <b>2,4</b>   |                              |
| - 400                            | heavy H            | 4220 E60400 * |              |                              |
| - 400                            | heavy H            |               | <b>3,2</b>   |                              |
| M 222 tab.37                     |                    |               |              | Throat plate cpl.            |
| S080 811828                      |                    |               | M 218 tab.33 | Throat plate                 |
| S080 394168                      |                    |               | S080 811825  | Needle holder                |
| -                                |                    |               | S080 811817  | Front nee+uide               |
| -                                |                    |               | S080 394190  | Front needle guide holder    |
| S080 623289                      |                    |               | S080 623292  | Rear needle guide            |
|                                  |                    |               | S080 623288  | Rear needle guide holder     |
|                                  |                    |               | S980 052063  |                              |
| M 234 tab.38                     |                    |               | M 224 tab.38 | Throat plate insert          |
| 2,5                              |                    |               | 1,3          | Needle aperture              |
| M 303 tab.43                     |                    |               | M 132 tab.43 | Needle                       |
| 134 KCLR-160                     |                    |               | 134 KCLR-80  | Needle system and No.        |
| M 262 tab.43                     |                    |               | M 261 tab.43 | Feed dog                     |
|                                  |                    |               |              | Feed wheel                   |
| 1,5                              |                    |               | 1,0          | Feed dog tooth pitch         |
|                                  |                    |               |              | Flat presser foot            |
| M 173 tab.45                     |                    |               | M 173 tab.45 | Driven top roller            |
| M 157 tab.45                     |                    |               | M 157 tab.45 | Holder for the top roller    |
| ø 35 x 3,8                       |                    |               | ø 35 x 3,8   | Top roller diameter by width |

\* unless otherwise specified by the customer, the respective standard configuration is supplied for the sewing category in question



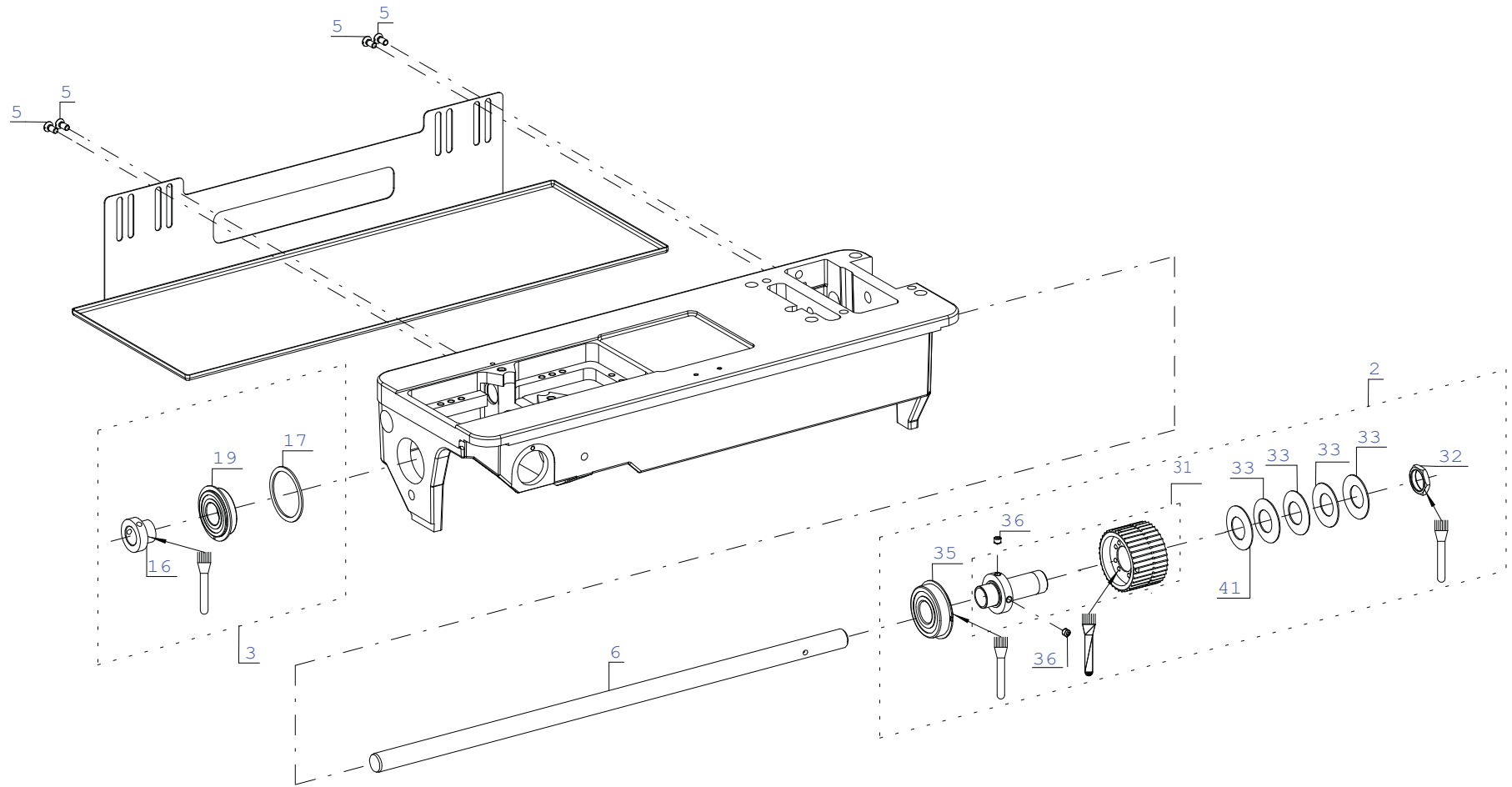


\* SPARE PARTS SUPPLIED WITH THE MACHINE

## M 501

| Pos.<br>Det. | Dílec č.<br>Part No. | Název                       | Denomination                                      |
|--------------|----------------------|-----------------------------|---|
| 2            | S321 000000          | ZÁTKA                       | PLUG  |
| 3            | S080 831665          | KRYT ZADNÍ                  | COVER BACK  |
| 4            | S309 000410          | ŠROUB M4 x 10               | SCREW M4 x 10                                     |
| 5            | S080 836476          | KONZOLA                     | CONSOLE   |
| 6            | S080 126102          | ŠROUB M5 x 8                | SCREW M5 x 8                                      |
| 7            | S080 615021          | ZVEDACÍ PÁKA                | LIFTING LEVER                                     |
| 8            | S080 310468          | KOLÍK                       | PIN   |
| 9            | S981 043510          | NAPÍNAČÍ Kladka ÚPL.        | TENSION ROLLER CPL.                               |
| 10           | 0244 000700          | ŠROUB                       | SCREW   |
| 11           | S981 036164          | NAVÍJEČ                     | WINDER  |
| 12           | S981 025290          | VODIČ                       | GUIDE   |
| 13           | S080 836485          | ŠIPKA                       | ARROW   |
| 14           | S309 738406          | ŠROUB M4 x 6                | SCREW M4 x 6                                      |
| 15           | S981 045576          | PÁSOVÉ KOLO ÚPLNÉ           | BELT WHEEL CPL.                                   |
| 16           | S981 045572          | KOLO NAVÍJEČE ÚPLNÉ         | WHEEL OF WINDER CPL.                              |
| 17           | S981 045570          | ŘEMENICE ÚPLNÁ              | PULLEY CPL.                                       |
| 18           | S980 027610          | RUČNÍ KOLO                  | HAND WHEEL  |
| 19           | S309 798511          | ŠROUB                       | SCREW   |
| 20           | S323 007065          | LOŽISKO KU 1010             | BEARING KU 1010                                   |
| 21           | S080 190707          | DIŠTANČNÍ KROUŽEK           | DISTANCE RING                                     |
| 22           | 0271 000260          | Nůž                         | KNIFE   |
| 23           | S309 000416          | ŠROUB                       | SCREW   |
| 24           | S981 043496          | ZVEDACÍ HRÍDEL              | LIFTING SHAFT                                     |
| 26           | S080 955135          | ŠTÍTEK KNOFLÍKU DÉLKY STEHU | LABEL RELATED TO STITCH<br>LENGHT REGULATION KNOB |
| 27           | S080 955132          | ŠIPKA SMĚRU OTÁČENÍ         | ARROW OF ROTATION SENSE                           |
| 28           | S735 955136          | STUPNICE RUČNÍHO KOLA       | HAND WHEEL SCALE                                  |
| 29           | S321 001000          | ZÁTKA PE                    | PLUG  |
| 30           | S735 953288          | ŠTÍTEK                      | LABEL   |
| 31           | S080 191120          | PODLOŽKA                    | WASHER  |
| 32           | S080 146058          | ŠROUB                       | SCREW   |
| 35           |                      | VIZ POS. 9                  | SEE 9   |
| 36           |                      | VIZ POS. 9                  | SEE 9   |
| 37           | 9352 000090          | POJ. KROUŽEK                | RETAINING RING                                    |
| 40           |                      | VIZ POS. 16                 | SEE 16  |
| 41           | 0244 000700          | ŠROUB                       | SCREW   |
| 50           | S080 161138          | MATICE                      | NUT   |
| 53           | 0221 110154          | VODIČ ÚPLNÝ                 | GUIDE CPL.  |
| 54           | 0037 001280          | PODLOŽKA NAPÍNAČE           | WASHER OF TENSIONER                               |
| 55           |                      | VIZ POS. 12                 | SEE 12  |
| 56           | 0396 110470          | PRUŽINA                     | SPRING  |
| 57           |                      | VIZ POS. 12                 | SEE 12  |
| 59           |                      | VIZ POS. 12                 | SEE 12  |
| 60           |                      | VIZ POS. 12                 | SEE 12  |
| 61           | 0993 411208          | RÝH. MATICE                 | KNURLED NUT                                       |
| 66           | 0067 320150          | PRUŽINA                     | SPRING  |
| 67           |                      | VIZ POS. 11                 | SEE 11  |
| 68           |                      | VIZ POS. 11                 | SEE 11  |
| 69           | 0367 170040          | PRUŽINA                     | SPRING  |
| 70           | 0396 170060          | POUZDRO                     | CASE  |
| 71           | 0396 170080          | PRUŽINA                     | SPRING  |
| 72           |                      | VIZ POS. 11                 | SEE 11  |
| 73           | 9225 201740          | ŠROUB M4 x 6                | SCREW   |
| 74           | 0993 031357          | ŠROUB M4 x 8                | SCREW   |
| 78           | 0268 170063          | TĚLESO NAVÍJEČE             | BODY OF WINDER                                    |
| 79           | S981 043503          | HRÍDEL ÚPLNÁ                | SHAFT CPL.  |
| 80           | 0268 170103          | PÁKA ÚPLNÁ                  | LEVER CPL.  |
| 81           |                      | VIZ POS. 11                 | SEE 11  |

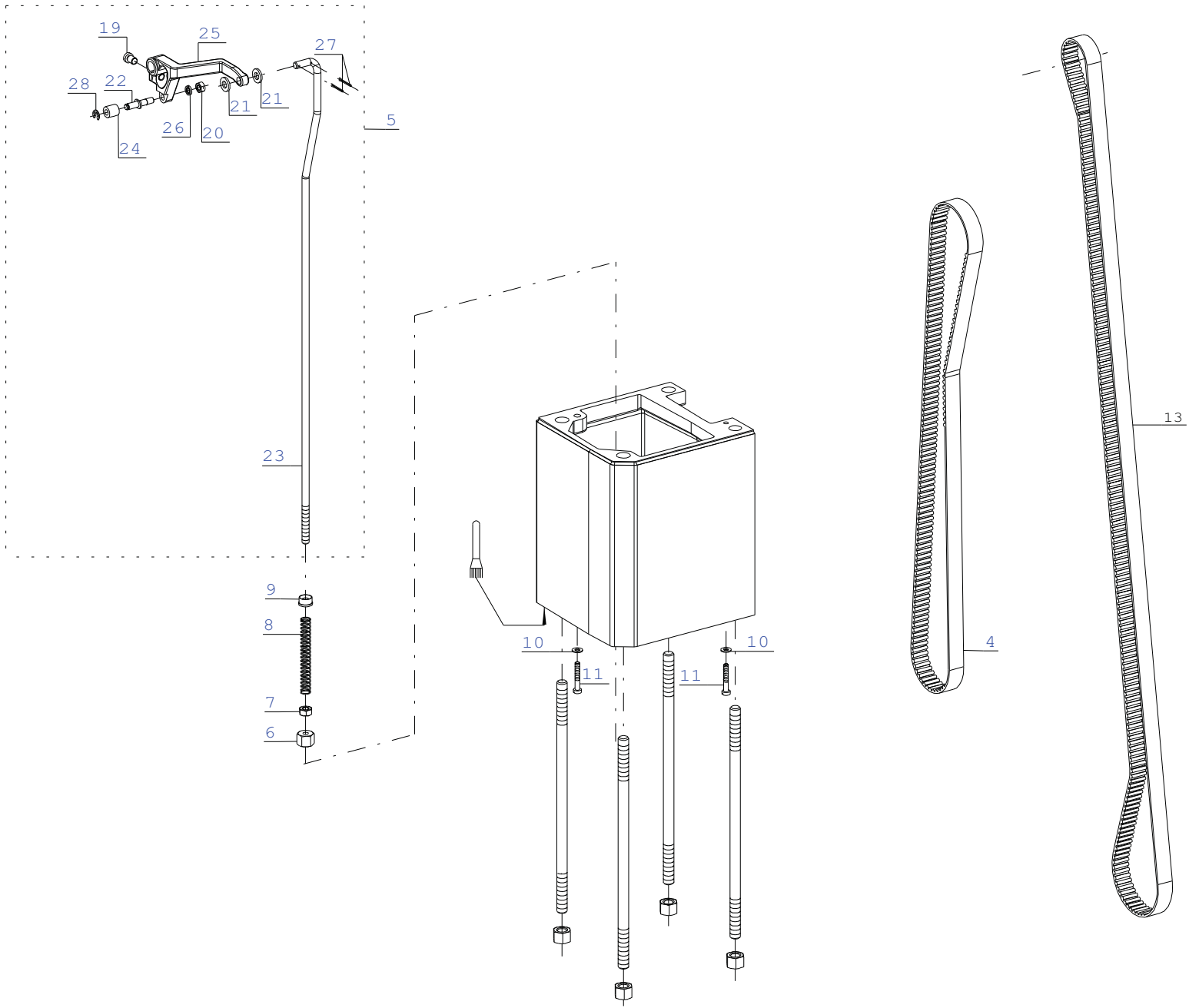
| Pos.<br>Det. | Dílec č.<br>Part No. | Název         | Denomination    |
|--------------|----------------------|---------------|-----------------|
| 82           |                      | VIZ POS. 11   | SEE 11          |
| 83           | 9357 000050          | PODLOŽKA      | WASHER          |
| 84           |                      | VIZ POS. 11   | SEE 11          |
| 85           | 0367 170083          | KOLO NAVÍJEČE | WHEEL OF WINDER |
| 86           |                      | VIZ POS. 11   | SEE 11          |
| 87           | 9205 102168          | ŠROUB M5 x 6  | SCREW M5 x 6    |
| 88           | 0998 861590          | O-KROUŽEK     | O-RING          |
| 89           |                      | VIZ POS. 11   | SEE 11          |
| 90           | 0993 060967          | ŠROUB         | SCREW           |
| 93           | S080 839312          | ZVEDACÍ PLECH | LIFTING SHEET   |
| 94           | S311 732050          | POJ. KROUŽEK  | RETAINING RING  |
| 95           | S980 060175          | PÁKA          | LEVER           |
| 107          | 0244 000700          | ŠROUB         | SCREW           |
| 111          |                      | VIZ POS. 15   | SEE 15          |
| 112          |                      | VIZ POS. 15   | SEE 15          |
| 117          | 0244 000700          | ŠROUB         | SCREW           |
| 118          |                      | VIZ POS. 17   | SEE 17          |



## M 534

| Pos.<br>Det. | Dílec č.<br>Part No. | Název                 | Denomination       |
|--------------|----------------------|-----------------------|--------------------|
| 2            | S981 045573          | POJISTNÁ SPOJKA ÚPLNÁ | SAFETY CLUTCH CPL. |
| 3            | S981 052064          | LOŽISKO ÚPLNÉ         | BEARING CPL.       |
| 5            | S080 126096          | ŠROUB M5 x 12         | SCREW M5 x 12      |
| 6            | S080 341261          | SPODNÍ HRÍDEL         | LOWER SHAFT        |
| 16           |                      | VIZ POS. 3            | SEE 3              |
| 17           |                      | VIZ POS. 3            | SEE 3              |
| 19           |                      | VIZ POS. 3            | SEE 3              |
| 31           | S980 045574          | OZUBENÁ ŘEMENICE      | TOOTHED WHEEL      |
| 32           | S080 161339          | MATICE                | NUT                |
| 33           | S080 420010          | TALÍŘOVÁ PRUŽINA      | WASHER SPRING      |
| 35           | S324 049910          | LOŽISKO ÚPLNÉ         | BEARING CPL.       |
| 36           | 0244 000700          | ŠROUB                 | SCREW              |
| 41           | S311 988232          | TALÍŘOVÁ PRUŽINA      | WASHER SPRING      |

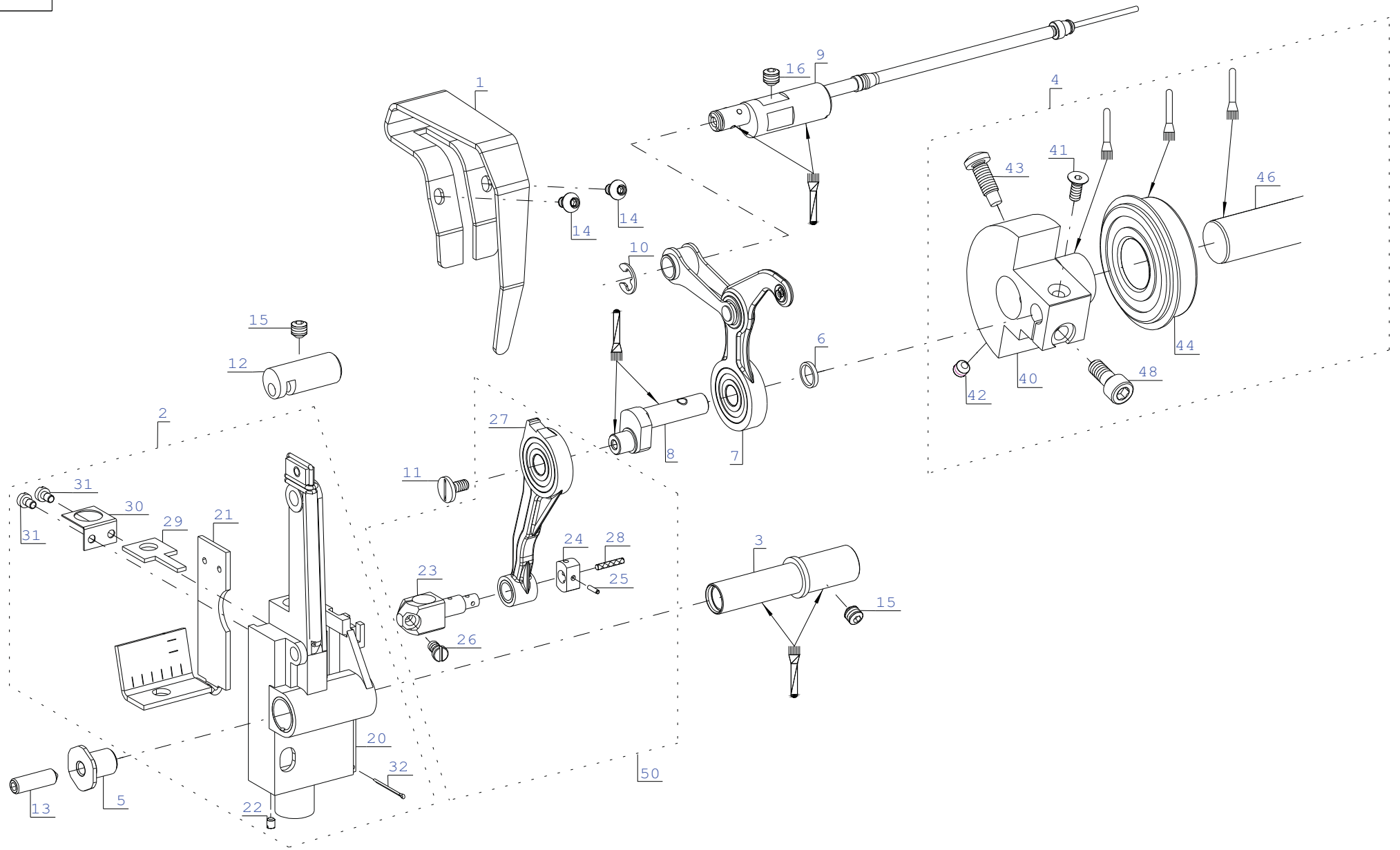
| Pos.<br>Det. | Dílec č.<br>Part No. | Název | Denomination |
|--------------|----------------------|-------|--------------|
|--------------|----------------------|-------|--------------|



## M 512

| Pos.<br>Det. | Dílec č.<br>Part No. | Název                 | Denomination         |
|--------------|----------------------|-----------------------|----------------------|
| 4            | S272 100515          | OZUBENÝ ŘEMEN FLENNOR | TOOTHED BELT FLENNOR |
| 5            | S980 060206          | PÁKA ÚPLNÁ            | LEVER CPL.           |
| 6            | S080 161333          | OPĚRKA                | SUPPORT              |
| 7            | S080 161142          | MATICE                | NUT                  |
| 8            | S080 260608          | PRUŽINA               | SPRING               |
| 9            | S080 425326          | POUZDRO               | CASE                 |
| 10           | S080 190353          | PODLOŽKA              | WASHER               |
| 11           | S080 120269          | ŠROUB                 | SCREW                |
| 13           | S272 100516          | OZUBENÝ ŘEMEN         | TOOTHED BELT         |
| 19           | S080 120698          | ŠROUB                 | SCREW                |
| 20           | S080 161146          | MATICE                | NUT                  |
| 21           | S080 190346          | PODLOŽKA              | WASHER               |
| 22           | S080 333175          | ČEP                   | PIN                  |
| 23           | S080 384114          | TÁHLO                 | ROD                  |
| 24           | S080 418182          | KLADKA                | ROLLER               |
| 25           | S080 633220          | PÁKA                  | LEVER                |
| 26           | S311 214051          | PODLOŽKA              | WASHER               |
| 27           | S311 318012          | ZÁVLAČKA              | SPLIT PIN            |
| 28           | S311 732040          | POJISTNÝ KROUŽEK      | RETAINING RING       |

| Pos.<br>Det. | Dílec č.<br>Part No. | Název | Denomination |
|--------------|----------------------|-------|--------------|
|--------------|----------------------|-------|--------------|

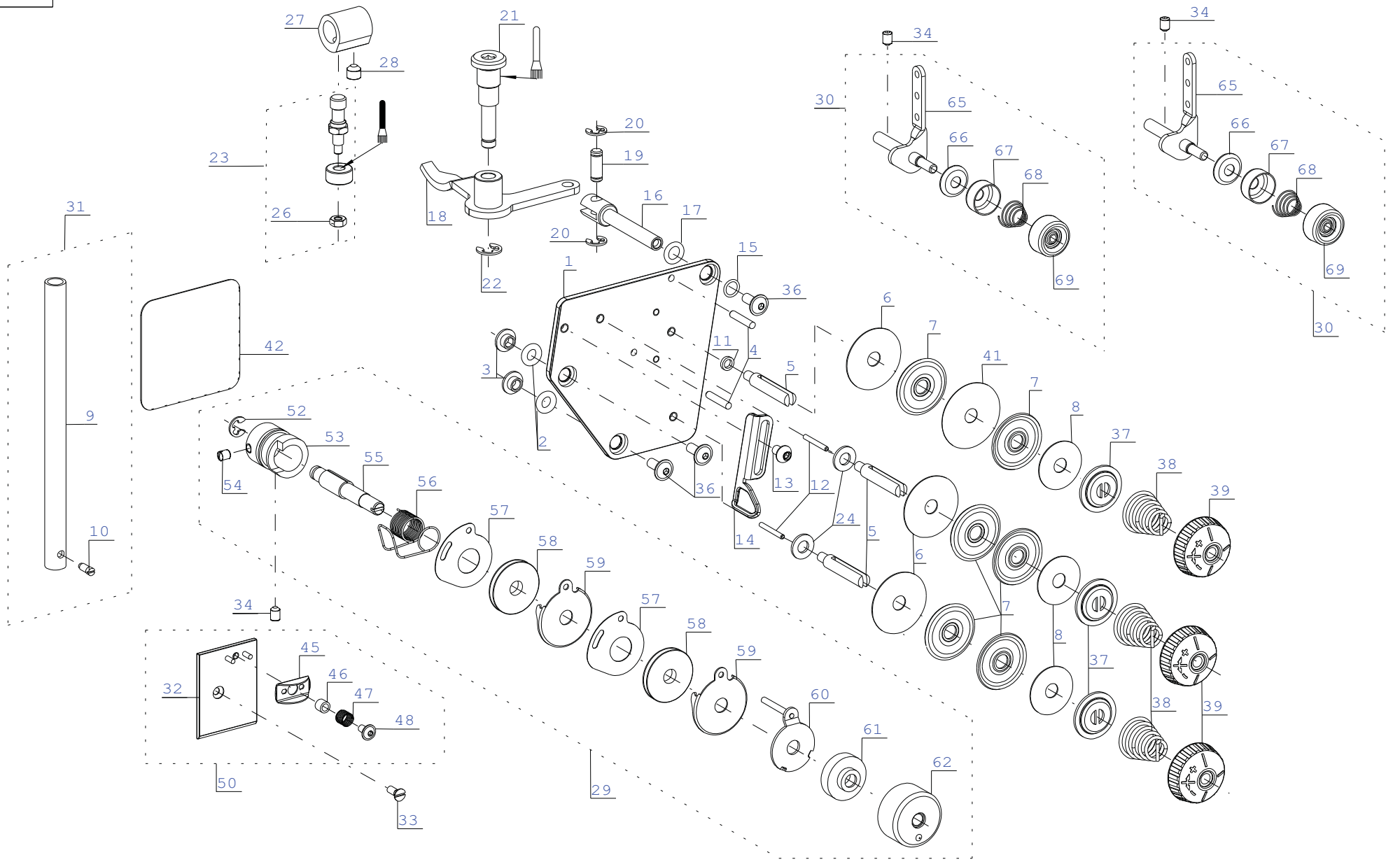


## M 513

| Pos.<br>Det. | Dílec č.<br>Part No. | Název              | Denomination         |
|--------------|----------------------|--------------------|----------------------|
| 1            | S080 831666          | KRYT               | COVER                |
| 2            | S981 021403          | DRŽÁK JEHELNÍ TYČE | HOLDER OF NEEDLE BAR |
| 3            | S080 330134          | ČEP                | PIN                  |
| 4            | S981 052076          | HLAVA KLIKY ÚPLNÁ  | HEAD OF CRANK CPL.   |
| 5            | S080 146063          | ŠROUB              | SCREW                |
| 6            | S080 410680          | KROUŽEK            | RING                 |
| 7            | S980 021396          | NIŤOVÁ PÁKA ÚPLNÁ  | TAKE UP LEVER CPL.   |
| 8            | S080 338229          | KLIKA              | CRANK                |
| 9            | S980 025305          | VÝSTŘEDNÍK ÚPLNÝ   | ECCENTRIC CPL.       |
| 10           | S311 732060          | POJ. KROUŽEK       | RETAINING RING       |
| 11           | S080 153045          | ŠROUB              | SCREW                |
| 12           | S080 328235          | ČEP                | PIN                  |
| 13           | S309 791616          | ŠROUB              | SCREW                |
| 14           | S309 738406          | ŠROUB              | SCREW                |
| 15           | 0244 000700          | ŠROUB              | SCREW                |
| 16           | 9205 102473          | ŠROUB              | SCREW                |
| 20           |                      | VIZ POS. 2         | SEE 2                |
| 21           |                      | VIZ POS. 2         | SEE 2                |
| 22           | S080 111223          | ŠROUB              | SCREW                |
| 23           |                      | VIZ POS. 50        | SEE 50               |
| 24           |                      | VIZ POS. 50        | SEE 50               |
| 25           | S311 515091          | KOLÍK 1,6 x 6      | PIN 1.6 x 6          |
| 26           | S080 124050          | ŠROUB              | SCREW                |
| 27           |                      | VIZ POS. 50        | SEE 50               |
| 28           |                      | VIZ POS. 50        | SEE 50               |
| 29           |                      | VIZ POS. 2         | SEE 2                |
| 30           | S080 826403          | PŘÍCHYTKA          | CLIP                 |
| 31           | S080 120367          | ŠROUB              | SCREW                |
| 32           | S311 318016          | ZÁVLAČKA           | SPLIT PIN            |
| 40           |                      | VIZ POS. 4         | SEE 4                |
| 41           | S311 799410          | ŠROUB M4 x 10      | SCREW M4 x 10        |
| 42           | 0244 000700          | ŠROUB              | SCREW                |
| 43           | S080 138009          | ŠROUB              | SCREW                |
| 44           |                      | VIZ POS. 4         | SEE 4                |
| 46           |                      | VIZ POS. 4         | SEE 4                |
| 48           | S080 120295          | ŠROUB              | SCREW                |
| 50           | S981 021405          | OJNICE ÚPLNÁ       | ROD CPL.             |

| Pos.<br>Det. | Dílec č.<br>Part No. | Název | Denomination |
|--------------|----------------------|-------|--------------|
|--------------|----------------------|-------|--------------|

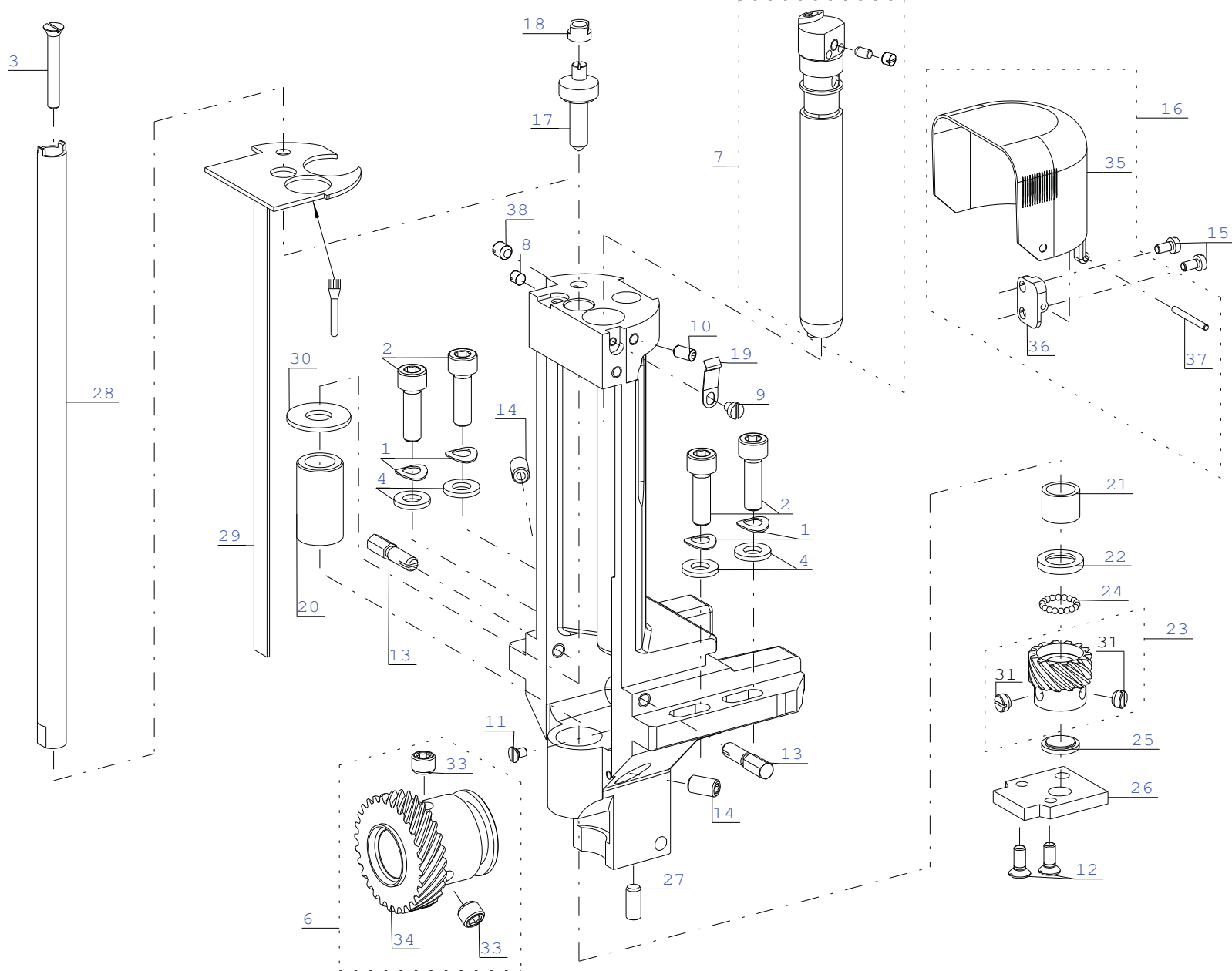




## M 517

| Pos.<br>Det. | Dílec č.<br>Part No. | Název              | Denomination           |
|--------------|----------------------|--------------------|------------------------|
| 1            | S080 826404          | DESKA              | PLATE                  |
| 2            | S273 005025          | KROUŽEK            | RING                   |
| 3            | S080 425329          | POUZDRO            | CASE                   |
| 4            | S324 031651          | VÁLEČEK JEHLOVÝ    | NEEDLE ROLLER          |
| 5            | 0367 110120          | NAPÍNAČÍ ČEP       | TENSIONING PIN         |
| 6            | S321 941159          | PODLOŽKA           | WASHER                 |
| 7            | 0467 110220          | MISKA NAPÍNAČE     | DISH OF TENSIONER      |
| 8            | S321 941158          | PODLOŽKA           | WASHER                 |
| 9            | S080 391134          | JEHELNÍ TYČ        | NEEDLE BAR             |
| 10           | S080 135022          | ŠROUB              | SCREW                  |
| 11           | S080 190708          | KROUŽEK            | RING                   |
| 12           | S080 310478          | KOLIK              | PIN                    |
| 13           | S309 738406          | ŠROUB              | SCREW                  |
| 14           | S080 821181          | VODIČ              | GUIDE                  |
| 15           | S273 001000          | O-KROUŽEK          | O-RING                 |
| 16           | S080 318256          | ČEP                | PIN                    |
| 17           | 0265 000911          | O-KROUŽEK          | O-RING                 |
| 18           | S980 047280          | PÁKA ÚPLNÁ         | LEVER CPL.             |
| 19           | S080 323203          | ČEP                | PIN                    |
| 20           | S311 732032          | POJ. KROUŽEK       | RETAINING RING         |
| 21           | S080 142027          | ŠROUB              | SCREW                  |
| 22           | S311 732050          | POJ. KROUŽEK       | RETAINING RING         |
| 23           | S981 060243          | KLADKA ÚPLNÁ       | ROLLER CPL.            |
| 24           | S080 190709          | PODLOŽKA           | WASHER                 |
| 26           | 9234 000057          | MATICE             | NUT                    |
| 27           | S080 436457          | STAVĚCÍ KROUŽEK    | REGULATING RING        |
| 28           | 0244 000700          | ŠROUB              | SCREW                  |
| 29           | 0367 110254 M        | NAPÍNAČ NITĚ ÚPLNÝ | TENSIONER COMPLET CPL. |
| 30           | 0271 001391          | VODIČ ÚPLNÝ        | GUIDE CPL.             |
| 31           | S981 021400          | JEHELNÍ TYČ ÚPLNÁ  | NEEDLE BAR CPL.        |
| 32           | S980 060231          | DESKA ÚPLNÁ        | PLATE CPL.             |
| 33           | S080 126073          | ŠROUB              | SCREW                  |
| 34           | 9205 101868          | ŠROUB              | SCREW                  |
| 36           | S309 000410          | ŠROUB              | SCREW                  |
| 37           | 0061 001050          | PODLOŽKA           | WASHER                 |
| 38           | 0099 004800          | PRUŽINA            | SPRING                 |
| 39           | 0271 000238          | MATICE             | NUT                    |
| 41           | S080 190701          | PODLOŽKA           | WASHER                 |
| 42           | S735 955142          | SAMOLEPKA          | LABEL                  |
| 45           | S080 839349          | PŘÍLOŽKA           | SPLICE                 |
| 46           | S080 410699          | POUZDRO            | CASE                   |
| 47           | S080 260617          | PRUŽINA            | SPRING                 |
| 48           | S309 000306          | ŠROUB              | SCREW                  |
| 50           | S981 025306          | VODIČ NITĚ ÚPLNÝ   | THREAD GUIDE CPL.      |
| 52           | 9357 000060          | POJ. KROUŽEK       | RETAINING RING         |
| 53           | 0367 110160          | POUZDRO            | CASE                   |
| 54           | 0993 520940          | ŠROUB              | SCREW                  |
| 55           | 0367 110170          | ČEP                | PIN                    |
| 56           | 0068 004910          | PRUŽINA            | SPRING                 |
| 57           | 0367 110350          | PODLOŽKA           | WASHER                 |
| 58           | 0367 110340          | ROLNA              | ROLLER                 |
| 59           | 0367 110360          | PODLOŽKA           | WASHER                 |
| 60           | 0367 110183          | PODLOŽKA ÚPLNÁ     | WASHER CPL.            |
| 61           | 0367 110290          | POUZDRO            | CASE                   |
| 62           | 0381 110043          | MATICE             | NUT                    |
| 65           | 0271 001392          | VODIČ NITĚ         | THREAD GUIDE           |

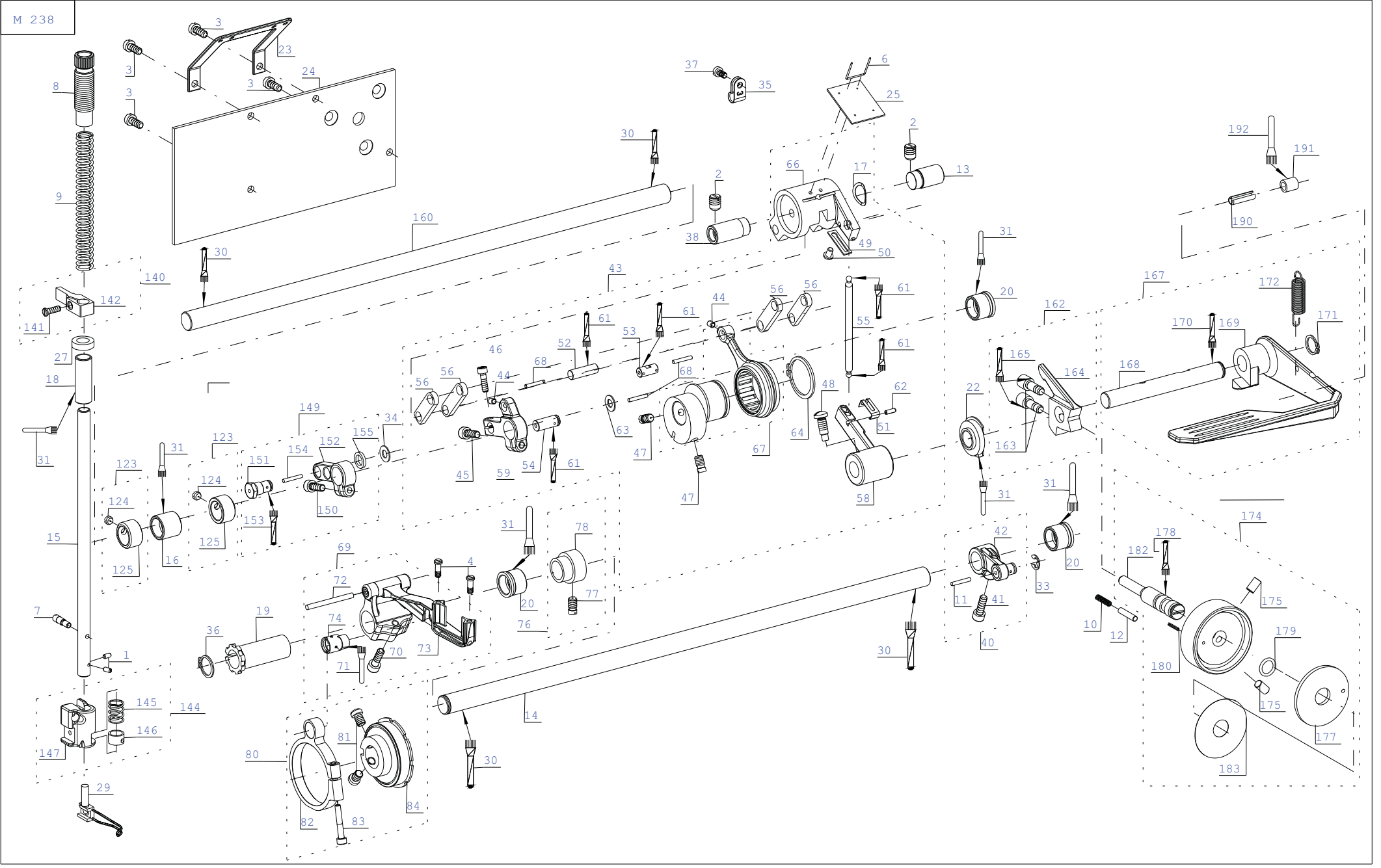
| Pos.<br>Det. | Dílec č.<br>Part No. | Název           | Denomination |
|--------------|----------------------|-----------------|--------------|
| 66           | 0244 000415          | OBJÍMKA         | SLEEVE       |
| 67           | 0244 000414          | OBJÍMKA         | SLEEVE       |
| 68           | 0271 001397          | PRUŽINA         | SPRING       |
| 69           | 0271 001398          | RÝHOVANÁ MATICE | MILLED NUT   |



## M 503

| Pos.<br>Det. | Dílec č.<br>Part No. | Název              | Denomination       |
|--------------|----------------------|--------------------|--------------------|
| 1            | S311 213064          | PODLOŽKA           | WASHER             |
| 2            | S080 120244          | ŠROUB              | SCREW              |
| 3            | S080 126178          | ŠROUB              | SCREW              |
| 4            | S311 433060          | PODLOŽKA           | WASHER             |
| 6            | S981 045571          | OZUBENÉ KOLO ÚPLNÉ | TOOTHED WHEEL CPL. |
| 7            | S980 052072          | OLEJOVÁ NÁDRŽKA    | OIL CAN            |
| 8            | S080 112115          | ŠROUB              | SCREW              |
| 9            | S309 231303          | ŠROUB              | SCREW              |
| 10           | S080 111233          | ŠROUB              | SCREW.             |
| 11           | S080 126065          | ŠROUB              | SCREW              |
| 12           | S311 799410          | ŠROUB              | SCREW              |
| 13           | S080 141320          | ŠROUB              | SCREW              |
| 14           | 9205 102488          | ŠROUB              | SCREW              |
| 15           | S080 120361          | ŠROUB              | SCREW              |
| 16           | S981 041275          | KRYT CHAPAČE ÚPLNÝ | COVER OF HOOK CPL. |
| 17           | S080 338245          | ČEP HÁKU           | PIN                |
| 18           | S080 452050          | SMYKADLO           | BLOCK              |
| 19           | S080 839320          | ZÁPADKA            | PAWL               |
| 20           | S080 424170          | POUZDRO            | CASE               |
| 21           | S324 512910          | LOŽISKO            | BEARING            |
| 22           | S080 441699          | KROUŽEK            | RING               |
| 23           | S980 045567          | OZUBENÉ KOLO ÚPLNÉ | TOOTHED WHEEL CPL. |
| 24           | S324 020052          | KULIČKA            | BALL               |
| 25           | S080 441693          | KROUŽEK            | RING               |
| 26           | S080 815300          | DESKA              | PLATE              |
| 27           | S311 515027          | KOLIK              | PIN                |
| 28           | S080 345091          | HŘÍDEL             | BAR                |
| 29           | S980 052074          | MAZACÍ PLST ÚPLNÁ  | OIL FELT CPL.      |
| 30           | S080 945408          | VLOŽKA             | INSERT             |
| 33           | S080 111376          | ŠROUB              | SCREW              |
| 34           |                      | VIZ POS. 6         | SEE 6              |
| 35           | S980 042082          | KRYT CHAPAČE ÚPLNÝ | COVER OF HOOK CPL. |
| 36           | S080 646509          | ZÁVĚS              | HINGE              |
| 37           | 9301 101011          | VÁLCOVÝ KOLÍK      | PIN                |
| 38           | S080 111261          | ŠROUB              | SCREW              |

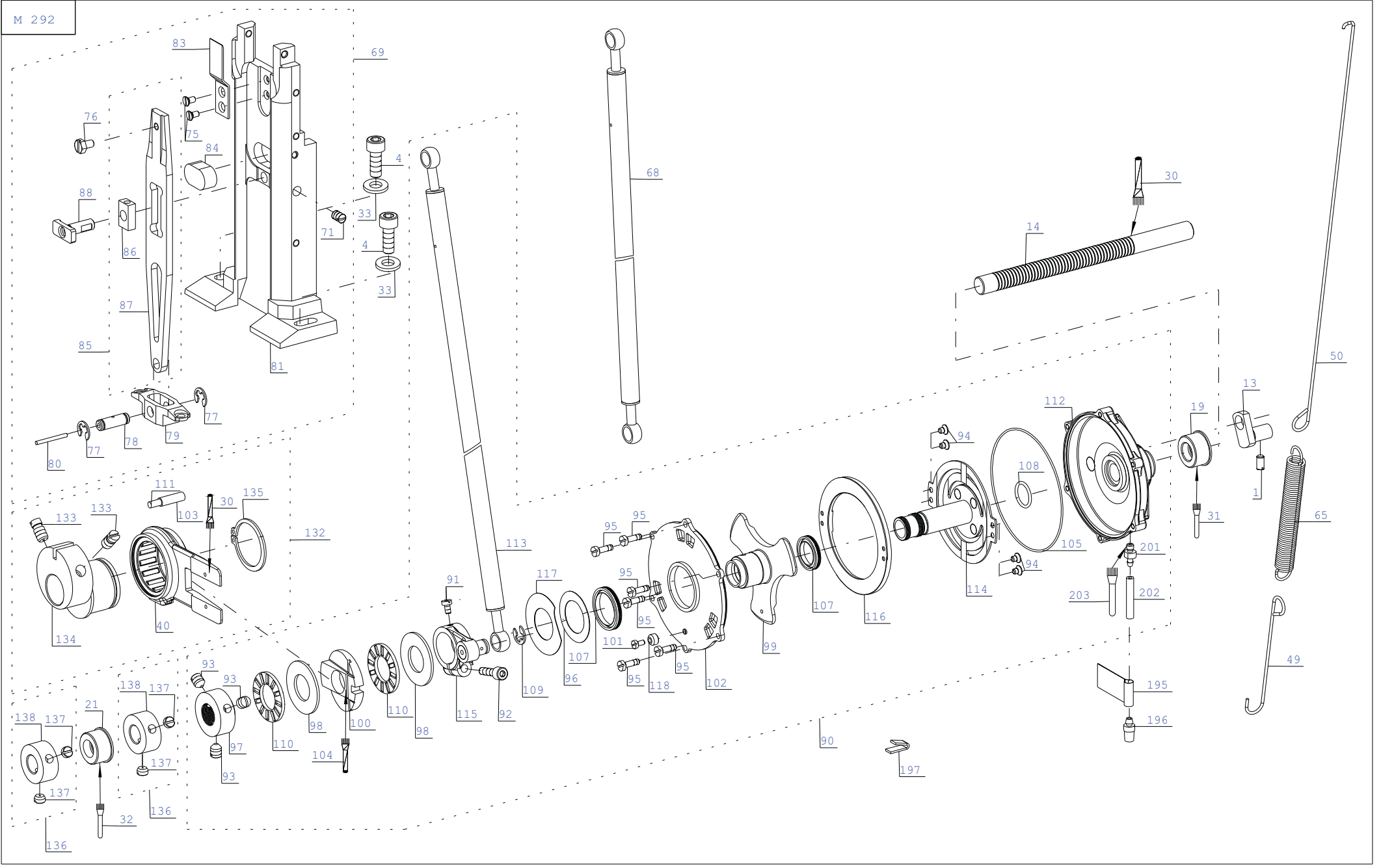
| Pos.<br>Det. | Dílec č.<br>Part No. | Název | Denomination |
|--------------|----------------------|-------|--------------|
|--------------|----------------------|-------|--------------|



## M 238

| Pos.<br>Det. | Dílec č.<br>Part No. | Název               | Denomination              |
|--------------|----------------------|---------------------|---------------------------|
| 1            | S080 111029          | ŠROUB               | SCREW                     |
| 2            | S080 111379          | ŠROUB               | SCREW                     |
| 3            | S080 120354          | ŠROUB M5 x 12       | SCREW M5 x 12             |
| 4            | S080 120246          | ŠROUB               | SCREW                     |
| 6            | S080 271544          | SPONA               | CLIP                      |
| 7            | S080 135081          | ŠROUB               | SCREW                     |
| 8            | S080 156045          | SEŘIZOVACÍ ŠROUB    | SETTING-UP SCREW          |
| 9            | S080 260602          | PRUŽINA             | SPRING                    |
| 10           | S080 260604          | PRUŽINA             | SPRING                    |
| 11           |                      |                     |                           |
| 12           | S080 324062          | ČEP                 | PIN                       |
| 13           | S080 320342          | ČEP                 | PIN                       |
| 14           | S080 341258          | HŘÍDEL              | SHAFT                     |
| 15           | S080 392121          | PŘÍTLAČNÁ TYČ       | PRESSURE BAR              |
| 16           | S080 410676          | POUZDRO             | CASE                      |
| 17           | S080 281139          | PRUŽINA             | SPRING                    |
| 18           | S080 412222          | POUZDRO             | CASE                      |
| 19           | S080 426098          | VÝSTŘEDNÉ POUZDRO   |                           |
| 20           | S080 425319          | POUZDRO             | CASE                      |
| 23           | S080 821176          | VODIČ NITI          | GUIDE OF THREAD           |
| 24           | S080 831671          | KRYT ZADNÍ          | COVER BACK                |
| 25           | S080 945397          | MAZACÍ VLOŽKA       |                           |
| 27           | S080 943214          | PODLOŽKA            | WASHER                    |
| 29           | S980 052063          | CHRÁNIČ PRSTŮ       | PROTECTOR OF FINGER GUARD |
| 30           |                      |                     |                           |
| 31           |                      |                     |                           |
| 33           | S311 732050          | POJ. KROUŽEK        | RETAINING RING            |
| 34           | S311 732060          | POJ. KROUŽEK        | RETAINING RING            |
| 35           | 9840 120030          | SPONA               | CLIP                      |
| 36           | S311 733140          | POJ. KROUŽEK        | RETAINING RING            |
| 37           | S080 120218          | ŠROUB               | SCREW                     |
| 38           | S980 052070          | ČEP ÚPLNÝ           | PIN CPL.                  |
| 40           | S980 060216          | PÁKA ÚPLNÁ          | LEVER CPL.                |
| 41           | 9202 002493          | ŠROUB               | SCREW                     |
| 42           | S080 613588          | PÁKA                | LEVER                     |
| 43           | S981 022878          | TRMEN-SESTAVA       | STIRRUP-ASSEMBLY          |
| 44           | S080 112115          | ŠROUB M4 x 6        | SCREW M4 x 6              |
| 45           | S080 120364          | ŠROUB M5 x 14       | SCREW M5 x 14             |
| 46           | 9202 002088          | ŠROUB M4 x 12       | SCREW M4 x 12             |
| 47           | 0244 000700          | ŠROUB               | SCREW                     |
| 48           | S080 138009          | ŠROUB               | SCREW                     |
| 49           | S080 826402          | PŘÍLOŽKA            |                           |
| 50           | S080 132112          | ŠROUB               | SCREW                     |
| 51           | S080 283176          | PRUŽINA             | SPRING                    |
| 52           |                      | VIZ POS. 43         | SEE 43                    |
| 53           |                      | VIZ POS. 43         | SEE 43                    |
| 54           |                      | VIZ POS. 43         | SEE 43                    |
| 55           |                      | VIZ POS. 43         | SEE 43                    |
| 56           |                      | VIZ POS. 43         | SEE 43                    |
| 58           |                      | VIZ POS. 43         | SEE 43                    |
| 59           | S080 635302          | PÁKA                | LEVER                     |
| 61           |                      |                     |                           |
| 62           |                      | VIZ POS. 43         | SEE 43                    |
| 63           | S311 732060          | POJ. KROUŽEK        | RETAINING RING            |
| 64           | S311 733280          | POJ. KROUŽEK        | RETAINING RING            |
| 66           |                      | VIZ POS. 43         | SEE 43                    |
| 67           | S980 060222          | VÝSTŘEDNÍK S OJNICÍ | ECCENTRIC WITH ROD        |
| 68           |                      | VIZ POS. 43         | SEE 43                    |

| Pos.<br>Det. | Dílec č.<br>Part No. | Název                      | Denomination         |
|--------------|----------------------|----------------------------|----------------------|
| 69           | S981 022875          | NOSIČ PODAVAČE ÚPLNÝ       | FEED CARRIER CPL.    |
| 70           | 9202 002493          | ŠROUB                      | SCREW                |
| 71           |                      |                            |                      |
| 72           |                      | VIZ POS. 69                | SEE 69               |
| 73           |                      | VIZ POS. 69                | SEE 69               |
| 74           |                      | VIZ POS. 69                | SEE 69               |
| 76           | S981 052067          | KROUŽEK ÚPLNÝ              | RING CPL.            |
| 77           | 0244 000700          | ŠROUB                      | SCREW                |
| 78           | S080 436453          | KROUŽEK                    | RING                 |
| 80           | S981 060219          | OJNICE ÚPLNÁ               | ROD CPL.             |
| 81           | 0244 000700          | ŠROUB                      | SCREW                |
| 82           | S080 630305          | OJNICE                     | ROD                  |
| 83           | 9202 002118          | ŠROUB                      | SCREW                |
| 84           | S980 060220          | VÝSTŘEDNÉ POUZDRO          |                      |
| 123          | S981 052044          | STAVĚCÍ KROUŽEK ÚPLNÝ      | REGULATING RING CPL. |
| 124          | S080 111375          | ŠROUB                      | SCREW                |
| 125          | S080 436444          | STAVĚCÍ KROUŽEK            | REGULATING RING      |
| 140          | S981 052049          | VEDENÍ ÚPLNÉ               | GUIDANCE CPL.        |
| 141          | S080 120543          | ŠROUB                      | SCREW                |
| 142          |                      | VIZ POS. 140               | SEE 140              |
| 144          | S981 052065          | OBJÍMKA ÚPLNÁ              | SLEEVE CPL.          |
| 145          | S080 260606          | PRUŽINA                    | SPRING               |
| 146          | S080 436446          | STAVĚCÍ KROUŽEK            | REGULATING RING      |
| 147          | S080 646481          | OBJÍMKA DRŽÁKU             | SLEEVE OF HOLDER     |
| 149          | S981 060226          | PÁKA ÚPLNÁ                 | LEVER CPL.           |
| 150          | S080 120364          | ŠROUB M5 x 4               | SCREW M5 x 4         |
| 151          | S080 331192          | ČEP                        | PIN                  |
| 152          |                      | VIZ POS. 149               | SEE 149              |
| 153          |                      |                            |                      |
| 154          |                      | VIZ POS. 149               | SEE 149              |
| 155          | S080 190706          | PODLOŽKA                   | WASHER               |
| 160          | S080 349218          | HŘÍDEL                     | ROD                  |
| 162          | S981 060193          | VAČKA ÚPLNÁ                | CAM CPL.             |
| 163          | S080 120705          | ŠROUB                      | SCREW                |
| 164          |                      | VIZ POS. 162               | SEE 162              |
| 165          |                      |                            |                      |
| 167          | S981 060194          | ZPÁTKOVACÍ PÁKA            | BACKTACKING LEVER    |
| 168          | S080 340203          | HŘÍDEL                     | SHAFT                |
| 169          | S080 621040          | ZPÁTKOVACÍ PÁKA            | BACKTACKING LEVER    |
| 170          |                      |                            |                      |
| 171          | S311 733120          | POJ. KROUŽEK               | RETAINING RING       |
| 172          | S315 263276          | PRUŽINA                    | SPRING               |
| 174          | S981 060195          | KNOFLÍK ÚPLNÝ              | BUTTON CPL.          |
| 175          | 9205 102488          | ŠROUB M6 x 10              | SCREW M6 x 10        |
| 176          | S080 233061          | KNOFLÍK                    | BUTTON               |
| 177          | S080 441687          | KOTOUČ                     | DISK                 |
| 178          |                      |                            |                      |
| 179          | S273 001002          | O-KROUŽEK 9 x 2            | O-RING 9 x 2         |
| 180          | S311 515021          | KOLÍK 2 x 10               | PIN 2 x 10           |
| 182          | S080 332172          | ŠROUB                      | SCREW                |
| 183          | S735 975184          | SAMOLEPÍCÍ ŠTÍTEK-STUPNICE | LABEL-SCALE          |
| 190          | S311 515055          | KOLÍK 6 x 20               | PIN 6 x 20           |
| 191          | S283 068001          | HADIČKA PVC OLEJ           | HOSE PVC OIL         |
| 192          |                      |                            |                      |

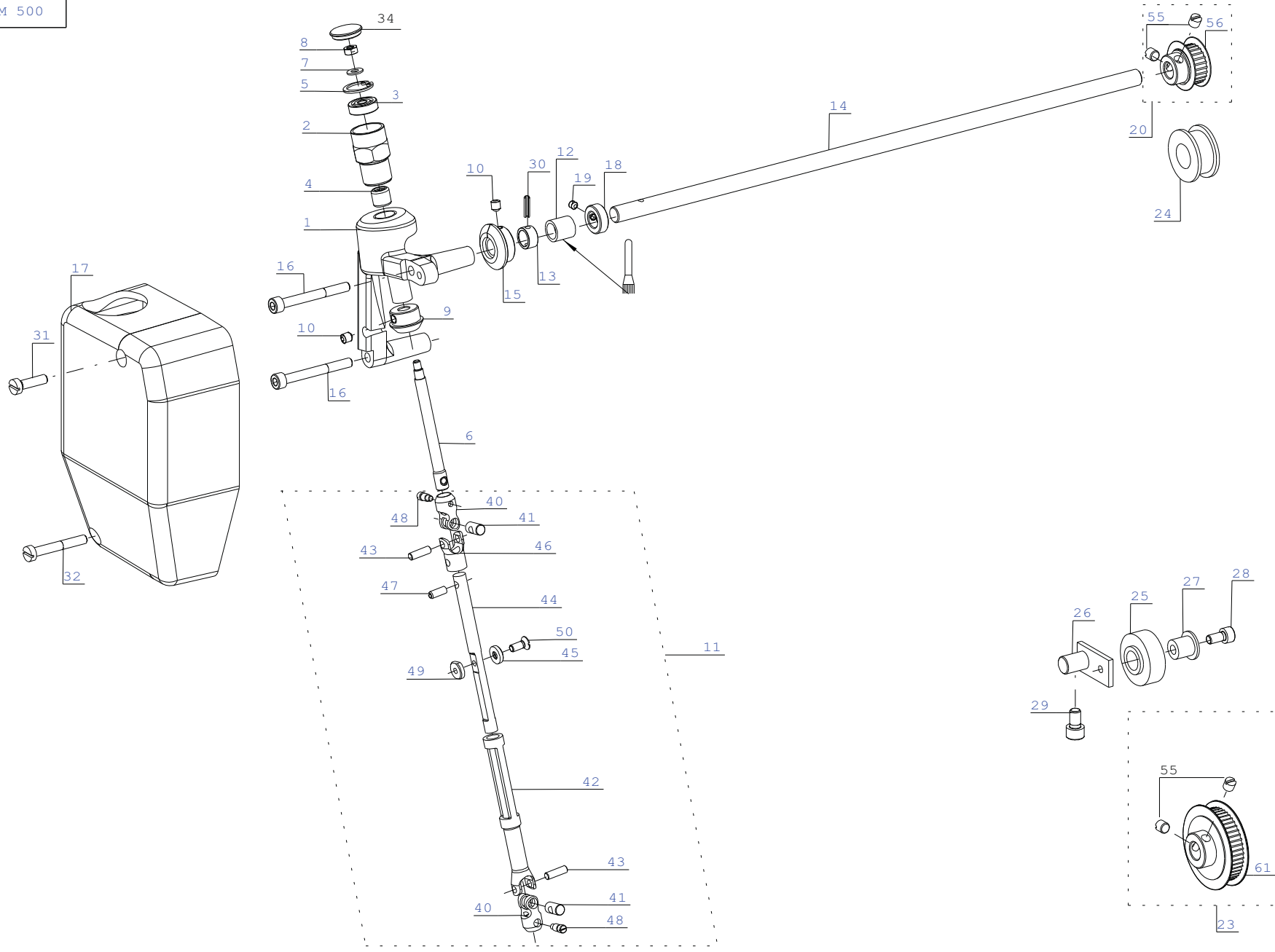


## M 292

| Pos.<br>Det. | Dílec č.<br>Part No. | Název                  | Denomination               |
|--------------|----------------------|------------------------|----------------------------|
| 1            | S080 111251          | ŠROUB                  | SCREW                      |
| 4            | S080 120473          | ŠROUB M6 x 16          | SCREW M6 x 16              |
| 13           | S080 326249          | ČEP                    | PIN                        |
| 14           | S080 341256          | HŘÍDEL                 | SHAFT                      |
| 19           | S080 425318          | LOŽISKO                | BEARING                    |
| 30           |                      |                        |                            |
| 40           | S980 060185          | OJNICE ÚPLNÁ           | ROD CPL.                   |
| 49           | S080 271522          | HÁČEK PRUŽINY          | HOOK OF SPRING             |
| 50           | S080 271523          | HÁČEK PRUŽINY          | HOOK OF SPRING             |
| 65           | S315 263275          | PRUŽINA                | SPRING                     |
| 68           | S980 039114          | TÁHLO                  | ROD                        |
| 69           | S981 023163          | STŘEDNÍ SLOUP ÚPLNÝ    | MIDDLE POST CPL.           |
| 71           | S080 111302          | ŠROUB M5 x 8           | SCREW M5 x 8               |
| 76           | S080 141120          | ŠROUB                  | SCREW                      |
| 77           | S311 732050          | POJ. KROUŽEK           | RETAINING RING             |
| 78           | S080 318252          | ČEP                    | PIN                        |
| 79           | S080 646482          | DRŽÁK                  | HOLDER                     |
| 80           |                      | VIZ POS. 69            | SEE 69                     |
| 81           |                      | VIZ POS. 69            | SEE 69                     |
| 84           | S080 945395          | VLOŽKA                 | INSERT                     |
| 85           | S980 022872          | VAHADLO ÚPLNÉ          | ROCKER LEVEL CPL.          |
| 88           | S980 043507          | ČEP ÚPLNÝ              | PIN CPL.                   |
| 90           | S981 024305          | SPOJKA ÚPLNÁ           | CLUTCH CPL.                |
| 91           | S080 120296          | ŠROUB M3 x 5           | SCREW M3 x 5               |
| 92           | S309 100414          | ŠROUB M4 x 16          | SCREW M4 x 16              |
| 93           | S080 112016          | ŠROUB                  | SCREW                      |
| 94           | S080 126180          | ŠROUB                  | SCREW                      |
| 95           | S080 120516          | ŠROUB                  | SCREW                      |
| 96           | S080 281136          | PRUŽINA                | SPRING                     |
| 97           | S080 425324          | KROUŽEK                | RING                       |
| 98           | S080 441671          | KROUŽEK                | RING                       |
| 99           | S080 442655          | SPOJKA                 | CLUTCH                     |
| 100          | S080 451114          | KLÍN                   | WEDGE                      |
| 101          | S080 120403          | ŠROUB M2,5 x 3         | SCREW M2.5 x 3             |
| 102          | S080 710134          | ŠTÍT                   | SHIELD                     |
| 103          |                      | VIZ POS. 132           | SEE 132                    |
| 104          |                      |                        |                            |
| 105          | S273 014225          | O-KROUŽEK 58 x 1       | O-RING 58 x 1              |
| 106          | S273 005000          | GUFERO INA 18 x 24 x 3 | GUFERO INA 18 x 24 x 3     |
| 107          | S273 004000          | GUFERO INA 13 x 19 x 3 | GUFERO INA 13 x 19 x 3     |
| 108          | S273 002002          | O-KROUŽEK 12 x 1,5     | O-RING 12 x 1.5            |
| 109          | S311 732050          | POJ. KROUŽEK           | RETAINING RING             |
| 110          | S324 800000          | LOŽISKO AXK 1528 INA   | BEARING AXK 1528 INA       |
| 111          |                      | VIZ POS. 119           | SEE 119                    |
| 112          | S980 022871          | VÍKO SPOJKY            | COVER OF CLUTCH            |
| 113          | S980 039102          | TÁHLO                  | ROD                        |
| 114          | S980 047266          | POUZDRO ÚPLNÉ          | CASE CPL.                  |
| 115          | S980 060186          | PÁKA ÚPLNÁ             | LEVER CPL.                 |
| 116          | S980 088003          | KOTOUČ ÚPLNÝ           | DISK CPL.                  |
| 117          | S080 814478          | KROUŽEK                | RING                       |
| 118          | S080 412223          | POUZDRO                | CASE                       |
| 132          | S981 052046          | VÝSTŘEDNÍK ÚPLNÝ       | ECCENTRIC CPL.             |
| 133          | S080 120689          | ŠROUB                  | SCREW                      |
| 134          | S080 671178          | VÝSTŘEDNÍK DÉLKY STEHU | ECCENTRIC OF LENGHT STITCH |
| 135          | S311 733280          | POJ. KROUŽEK           | RETAINING RING             |
| 136          | S981 052047          | STAVĚCÍ KROUŽEK        | REGULATING RING            |
| 137          | S080 111375          | ŠROUB                  | SCREW                      |

| Pos.<br>Det. | Dílec č.<br>Part No. | Název              | Denomination |
|--------------|----------------------|--------------------|--------------|
| 138          |                      | VIZ POS. 136       | SEE 136      |
| 195          |                      |                    |              |
| 196          | S080 424165          | KONCOVKA           | TERMINAL     |
| 201          | S080 424163          | VENTIL             | VENT         |
| 202          | S283 002004          | HADIČKA SILIKONOVÁ | HOSE SILIKON |
| 203          |                      |                    |              |

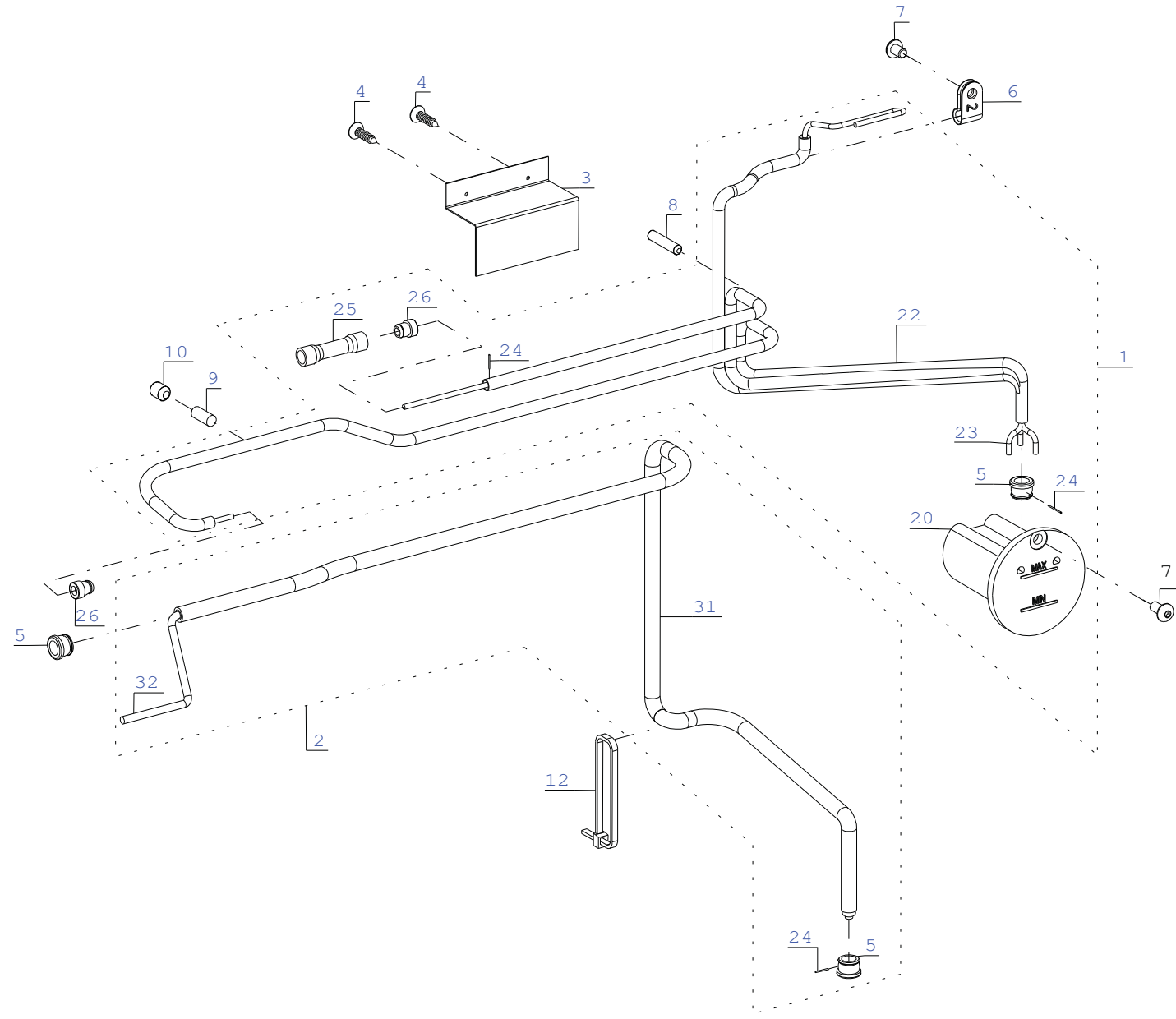




## M 500

| Pos.<br>Det. | Dílec č.<br>Part No. | Název                  | Denomination             |
|--------------|----------------------|------------------------|--------------------------|
| 1            | S080 744533          | DRŽÁK VARIÁTORU        | HOLDER                   |
| 2            | S080 156058          | ŠROUB                  | SCREW                    |
| 3            | 9120 030050          | LOŽISKO                | BEARING                  |
| 4            | S324 609110          | LOŽISKO                | BEARING                  |
| 5            | S311 733161          | POJ. KROUŽEK           | RETAINING RING           |
| 6            | S080 342343          | HŘÍDEL                 | BAR                      |
| 7            | 9330 200097          | PODLOŽKA               | WASHER                   |
| 8            | S080 161144          | MATICE                 | NUT                      |
| 9            | S080 562120          | PASTOREK               | PINION                   |
| 10           | 9205 102168          | ŠROUB                  | SCREW                    |
| 11           | S981 024309          | KLOUBOVÝ HŘÍDEL        | JOINT SHAFT              |
| 12           | S080 410677          | POUZDRO                | CASE                     |
| 13           | S080 436459          | OBJÍMKA                | SLEEVE                   |
| 14           | S080 344092          | HŘÍDEL                 | BAR                      |
| 15           | S080 562121          | KOLO                   | WHEEL                    |
| 16           | 9202 002558          | ŠROUB                  | SCREW                    |
| 17           | S321 920024          | ČELNÍ KRYT             | FRONTAL COVER            |
| 18           | S080 436458          | OBJÍMKA                | SLEEVE                   |
| 19           | S080 111281          | ŠROUB                  | SCREW                    |
| 20           | S981 045551          | OZUBENÁ ŘEMENICE       | TOOTHED PULLEY           |
| 23           | S981 045552          | OZUBENÁ ŘEMENICE ÚPLNÁ | TOOTHED PULLEY CPL.      |
| 24           | S080 951385          | KLADKA                 | ROLLER                   |
| 25           | S080 951386          | NAP. Kladka            | TENSION ROLLER           |
| 26           | S980 060181          | DRŽÁK NAPÍNACÍ Kladky  | HOLDER OF TENSION ROLLER |
| 27           | S080 422222          | POUZDRO                | CASE                     |
| 28           | S080 120264          | ŠROUB                  | SCREW                    |
| 29           | S080 120346          | ŠROUB                  | SCREW                    |
| 30           | S311 515032          | KOLIK                  | PIN                      |
| 31           | S080 120270          | ŠROUB                  | SCREW                    |
| 32           | S080 120100          | ŠROUB                  | SCREW                    |
| 34           | S321 945405          | ZÁTKA                  | PLUG                     |
| 40           | S080 326251          | ČEP                    | PIN                      |
| 41           | S080 336086          | ČEP                    | PIN                      |
| 42           | S080 346080          | HŘÍDEL                 | BAR                      |
| 43           | S080 314264          | ČEP                    | PIN                      |
| 44           | S080 349212          | HŘÍDEL                 | BAR                      |
| 45           | S080 196044          | PODLOŽKA               | WASHER                   |
| 46           | S080 326252          | ČEP                    | PIN                      |
| 47           | S311 515023          | KOLIK                  | PIN                      |
| 48           | S080 135082          | ŠROUB                  | SCREW                    |
| 49           | S080 163145          | MATICE                 | NUT                      |
| 50           | S080 126066          | ŠROUB                  | SCREW                    |
| 55           | 0244 000700          | ŠROUB                  | SCREW                    |
| 56           |                      | VIZ POS. 20            | SEE 20                   |
| 61           |                      | VIZ POS. 23            | SEE 23                   |

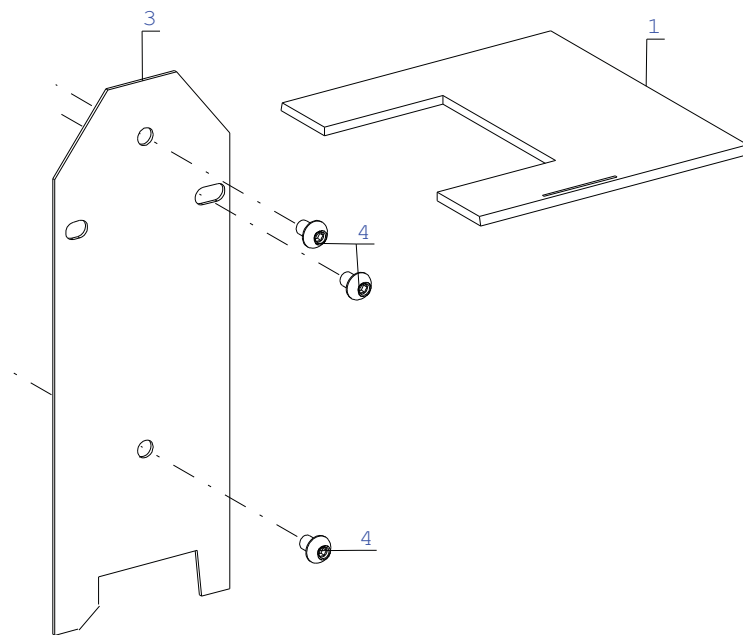
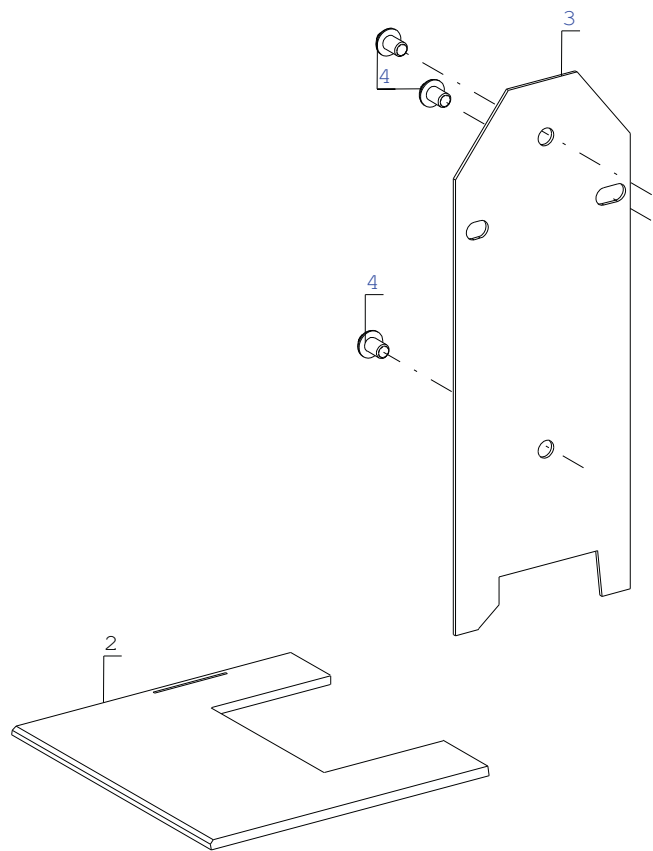
| Pos.<br>Det. | Dílec č.<br>Part No. | Název | Denomination |
|--------------|----------------------|-------|--------------|
|--------------|----------------------|-------|--------------|



## M 514

| Pos.<br>Det. | Dílec č.<br>Part No. | Název               | Denomination         |
|--------------|----------------------|---------------------|----------------------|
| 1            | S981 052071          | MAZACÍ SKŘÍŇ ÚPLNÁ  | LUBRICATION BOX CPL. |
| 2            | S981 052075          | ODSÁVACÍ KNOT ÚPLNÝ | WICK CPL.            |
| 3            | S080 826412          | PŘÍCHYTKA           | CLIP                 |
| 4            | S311 400515          | VRUT UN             | SCREW UN             |
| 5            | 0211 000806          | PRŮCHODKA           | BUSHING              |
| 6            | 9840 120026          | PŘÍCHYTKA           | CLIP                 |
| 7            | 9217 300528          | ŠROUB               | SCREW                |
| 8            | S309 287416          | ŠROUB               | SCREW                |
| 9            | S080 310483          | KOLÍK               | PIN                  |
| 10           | 9205 102478          | ŠROUB               | SCREW                |
| 12           | S562 411000          | NG PÁSEK            | NG BAND              |
| 20           | 0265 002402          | OLEJOVÁ NÁDRŽKA     | OIL TANK             |
| 22           |                      | VIZ POS. 1          | SEE 1                |
| 23           |                      | VIZ POS. 1          | SEE 1                |
| 24           | S158 076500          | DRÁT                | BLOWER               |
| 25           | S283 003001          | HADIČKA PVC         | HOSE PVC             |
| 26           | 0211 000085          | PRŮCHODKA           | BUSHING              |
| 31           |                      | VIZ POS. 2          | SEE 2                |
| 32           |                      | VIZ POS. 2          | SEE 2                |

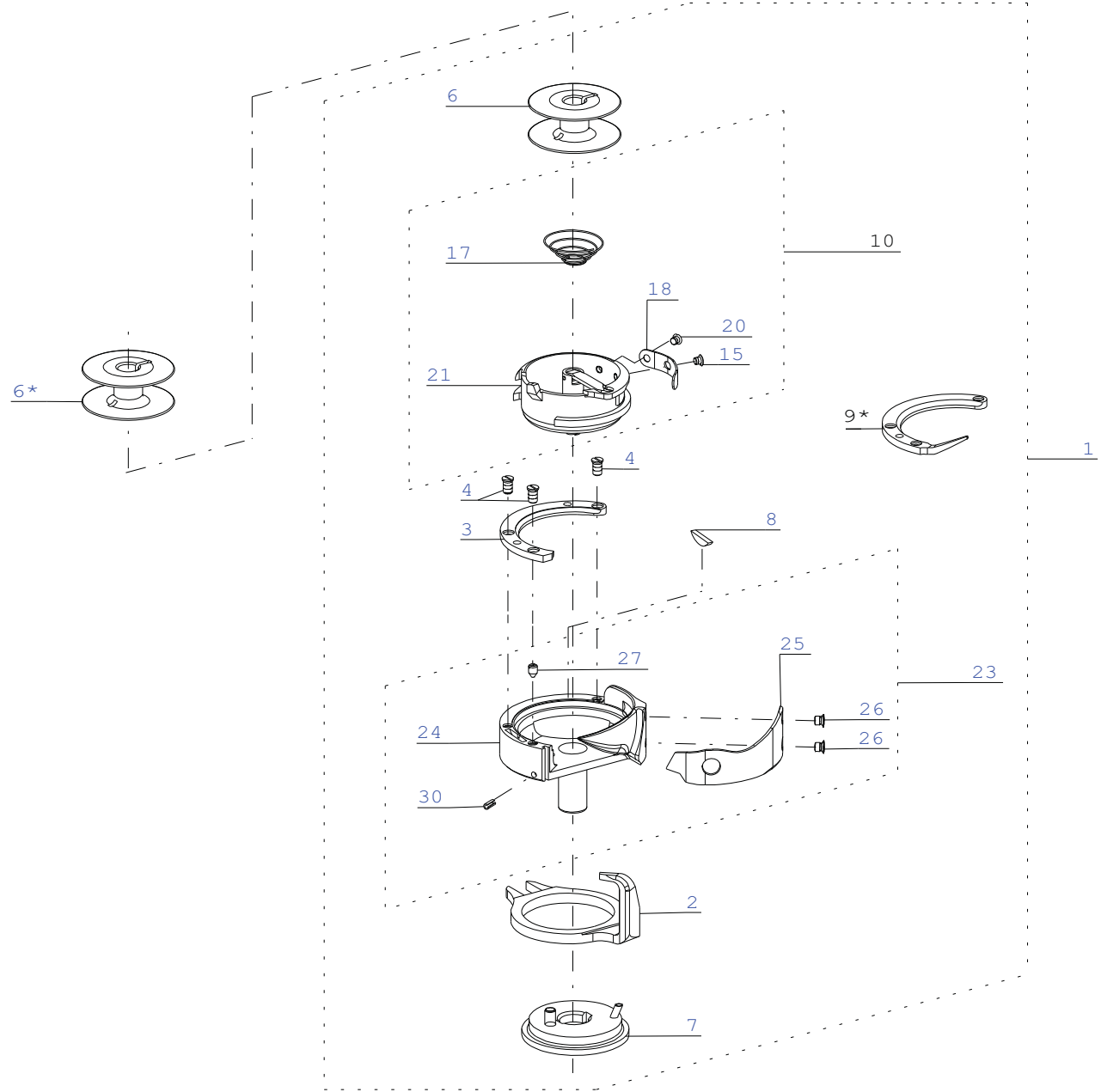
| Pos.<br>Det. | Dílec č.<br>Part No. | Název | Denomination |
|--------------|----------------------|-------|--------------|
|--------------|----------------------|-------|--------------|



## M 533

| Pos.    | Dílec č.          | Název               | Denomination    |
|---------|-------------------|---------------------|-----------------|
| Det.    | Part No.          |                     |                 |
| .....   | S980 000533 ..... | KRYTY SLOUPKŮ ..... | COVERS OF POSTS |
| 1 ..... | S080 812204 ..... | DESKA PRAVÁ .....   | PLATE RIGHT     |
| 2 ..... | S080 812202 ..... | DESKA LEVÁ .....    | PLATE LEFT      |
| 3 ..... | S080 831718 ..... | KRYT .....          | COVER           |
| 4 ..... | S309 738406 ..... | ŠROUB .....         | SCREW           |

| Pos. | Dílec č. | Název | Denomination |
|------|----------|-------|--------------|
| Det. | Part No. |       |              |



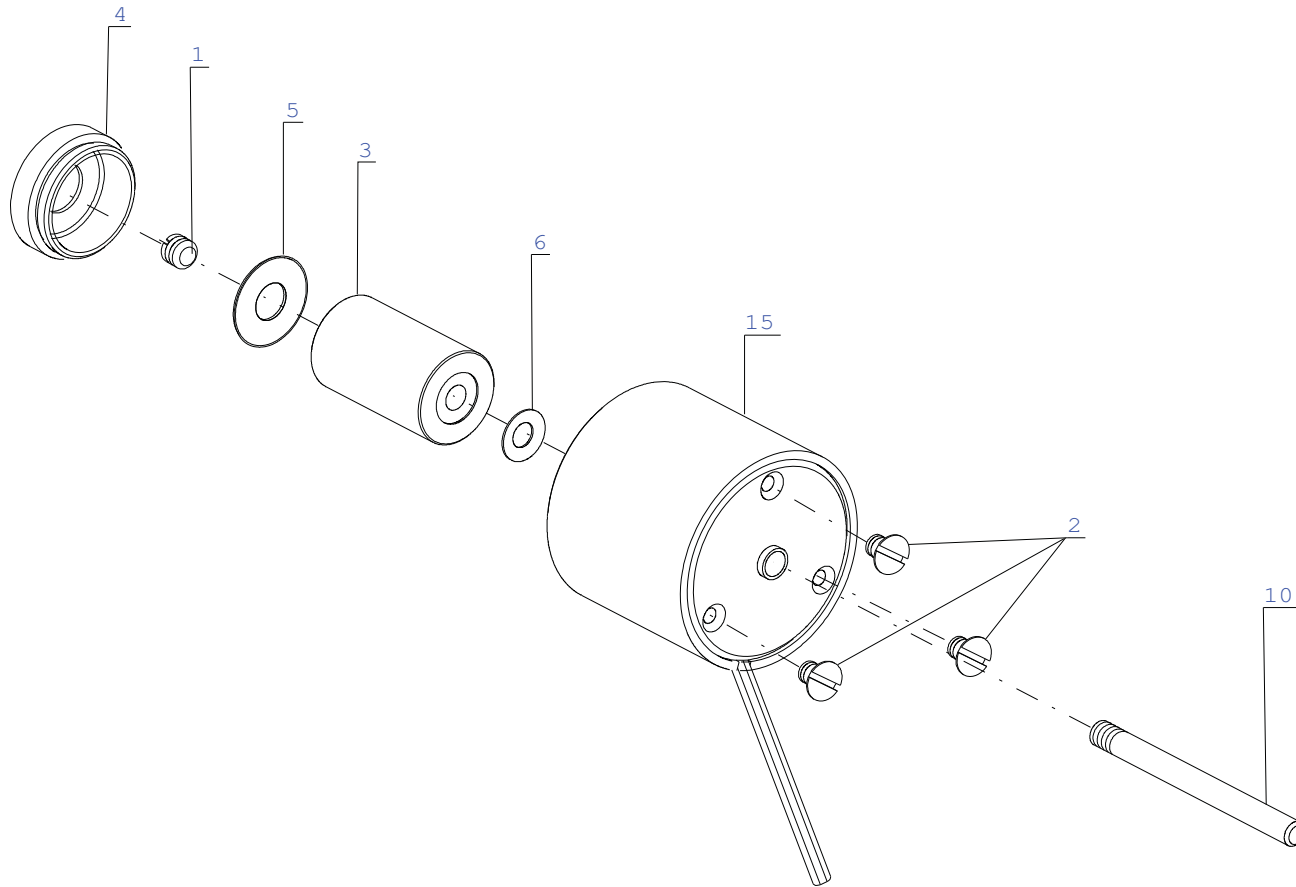
\* SPARE PARTS SUPLIED WITH THE MACHINE

## M 820

| Pos.<br>Det. | Dílec č.<br>Part No. | Název                | Denomination      |
|--------------|----------------------|----------------------|-------------------|
| 1            | S981 008820          | CHAPAČ               | HOOK              |
| 2            | S080 679011          | UVOLŇOVACÍ HÁK       | RELEASING HOOK    |
| 3            | S080 681037          | PŘÍLOŽKA             | SPLICE            |
| 4            | S080 683074          | ŠROUB                | SCREW             |
| 6            | 0245 001660 A        | CÍVKA                | BOBBIN            |
| 7            |                      | VIZ POS. 1           | SEE 1             |
| 8            |                      | VIZ POS. 1           | SEE 1             |
| 9            | S080 681044          | PŘÍLOŽKA             | SPLICE            |
| 10           | S981 081170          | POUZDRO CÍVKY ÚPLNÉ  | BOBBIN CASE CPL.  |
| 15           | S080 683025          | ŠROUB                | SCREW             |
| 17           | S315 262085          | PRUŽINA              | SPRING            |
| 18           | 0467 150120          | PERKO                | SPRING            |
| 20           | 0992 023560          | ŠROUB                | SCREW             |
| 21           |                      | VIZ POS. 10          | SEE 10            |
| 23           | S981 081171          | TĚLESO CHAPAČE ÚPLNÉ | BODY OF HOOK CPL. |
| 24           |                      | VIZ POS. 23          | SEE 23            |
| 25           | S080 680046          | CHRÁNÍCÍ PLECH       | PROTECTING SHEET  |
| 26           | S080 683083          | ŠROUB                | SCREW             |
| 27           | S080 683097          | ŠROUB                | SCREW             |
| 30           |                      | VIZ POS. 23          | SEE 23            |

| Pos.<br>Det. | Dílec č.<br>Part No. | Název | Denomination |
|--------------|----------------------|-------|--------------|
|--------------|----------------------|-------|--------------|

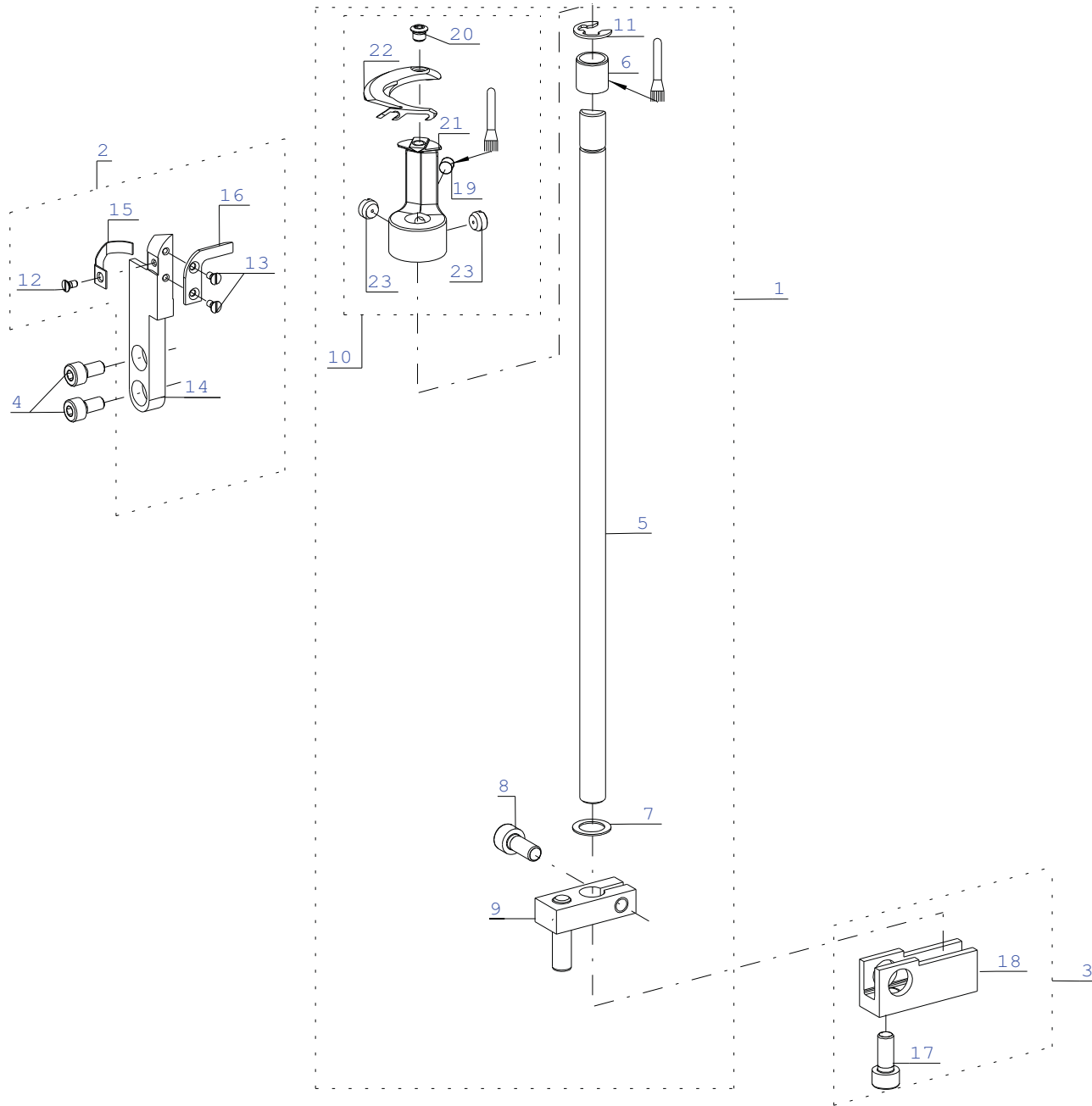




## M 552

| Pos.<br>Det. | Dílec č.<br>Part No. | Název           | Denomination   |
|--------------|----------------------|-----------------|----------------|
| 1            | S080 111300          | ŠROUB           | SCREW          |
| 2            | S080 126182          | ŠROUB           | SCREW          |
| 3            | S080 441708          | JÁDRO           | CORE           |
| 4            | S080 441709          | KRYT            | COVER          |
| 5            | S080 943212          | PODLOŽKA        | WASHER         |
| 6            | S080 168006          | PRUŽNÁ PODLOŽKA | SPRINGY WASHER |
| 10           | S980 027600          | TYČ ÚPLNÁ       | BAR CPL.       |
| 15           | S980 094081          | MAGNET          | ELECTROMAGNET  |

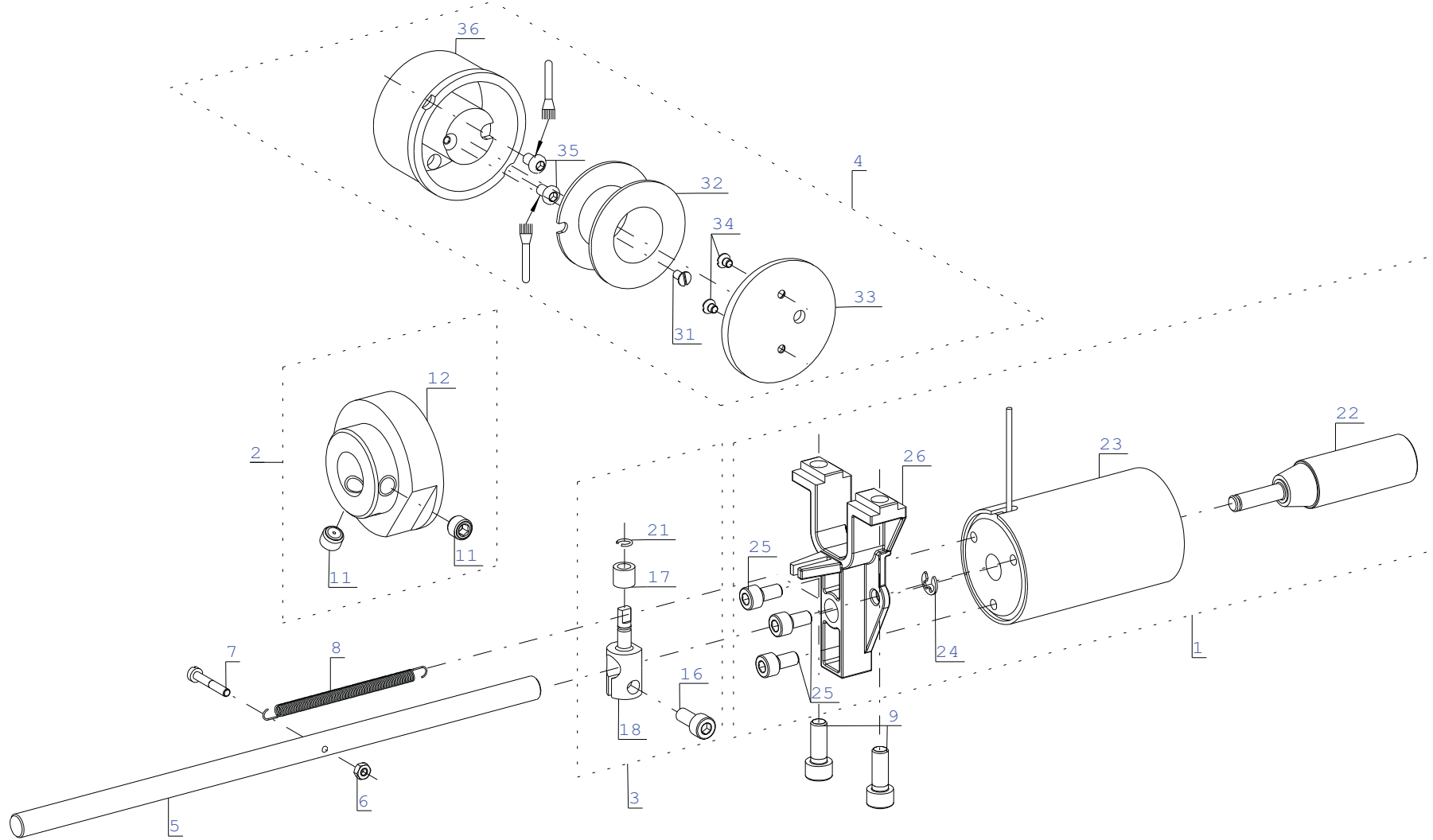
| Pos.<br>Det. | Dílec č.<br>Part No. | Název | Denomination |
|--------------|----------------------|-------|--------------|
|--------------|----------------------|-------|--------------|



## M 504

| Pos.<br>Det. | Dílec č.<br>Part No. | Název            | Denomination            |
|--------------|----------------------|------------------|-------------------------|
|              | S980 000504          | ODSTŘIH NITÍ     | THREAD TRIMMER          |
| 1            | S981 026194          | HŘÍDEL ÚPLNÁ     | BAR CPL.                |
| 2            | S981 042083          | DRŽÁK ÚPLNÝ      | HOLDER CPL.             |
| 3            | S981 060228          | VIDLICE ÚPLNÁ    | PLUG CP.                |
| 4            | 9202 002068          | ŠROUB            | SCREW                   |
| 5            | S080 340206          | HŘÍDEL ODSTŘIHU  | SHAFT OF THREAD TRIMMER |
| 6            | S080 410698          | POUZDRO          | CASE                    |
| 7            | S080 441698          | KROUŽEK          | RING                    |
| 8            | S080 120293          | ŠROUB            | SCREW                   |
| 9            | S980 060225          | DRŽÁK ÚPLNÝ      | HOLDER CPL.             |
| 10           | S981 042084          | DRŽÁK NOŽE ÚPLNÝ | HOLDER KNIFE CPL.       |
| 11           | 9357 000080          | PODLOŽKA         | WASHER                  |
| 12           | S080 126055          | ŠROUB            | SCREW                   |
| 13           | S080 126089          | ŠROUB            | SCREW                   |
| 14           | S080 815303          | DRŽÁK            | HOLDER                  |
| 15           | S080 818721          | PRUŽINA          | SPRING                  |
| 16           | S080 870242          | NUŽ ODSTŘIHU     | KNIFE OF THREAD TRIMMER |
| 17           | 0244 000700          | ŠROUB            | SCREW                   |
| 18           |                      | VIZ POS. 3       | SEE 3                   |
| 19           | S080 112115          | ŠROUB            | SCREW                   |
| 20           | S080 126191          | ŠROUB            | SCREW                   |
| 21           | S080 627214          | DRŽÁK NOŽE       | HOLDER KNIFE            |
| 22           | S080 870241          | NUŽ ODSTŘIHU     | KNIFE OF THREAD TRIMMER |
| 23           | S080 111375          | ŠROUB            | SCREW                   |

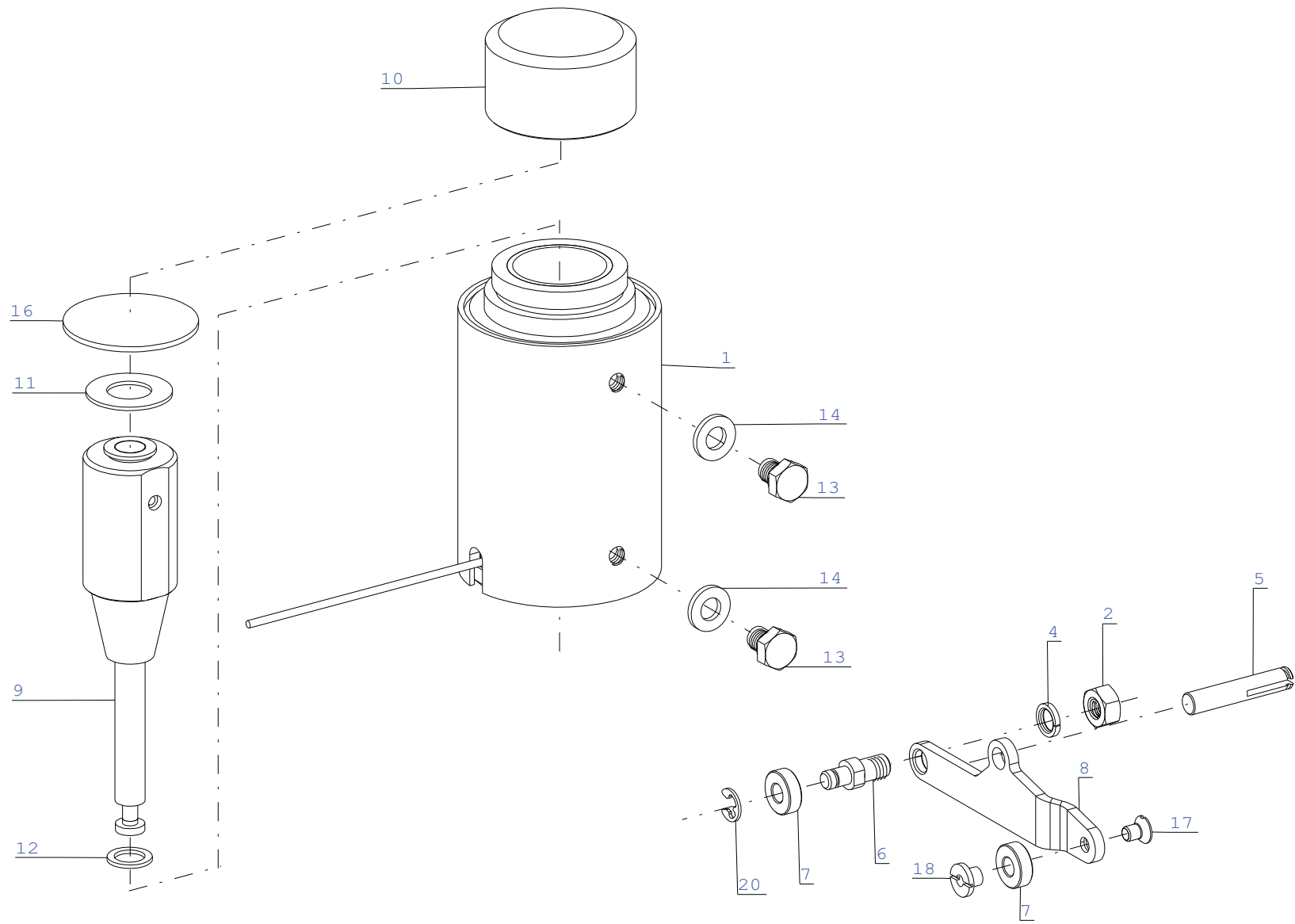
| Pos.<br>Det. | Dílec č.<br>Part No. | Název | Denomination |
|--------------|----------------------|-------|--------------|
|--------------|----------------------|-------|--------------|



## M 519

| Pos.<br>Det. | Dílec č.<br>Part No. | Název               | Denomination              |
|--------------|----------------------|---------------------|---------------------------|
|              | S980 000519          | POHON ODSTŘIHU NITI | THREAD TRIMMER DRIVE      |
| 1            | S981 094079          | ELEKTROMAGNET ÚPLNÝ | ELECTROMAGNET CPL.        |
| 2            | S981 045575          | VAČKA ÚPLNÁ         | CAM CPL.                  |
| 3            | S981 060190          | KLADKA ÚPLNÁ        | ROLLER CPL.               |
| 4            | S981 094080          | ELEKTROMAGNET ÚPLNÝ | ELECTROMAGNET CPL.        |
| 5            | S080 341253          | VODÍCÍ TYČ          | GUIDING BAR               |
| 6            | S080 161145          | MATICE M3           | NUT M3                    |
| 7            | S080 120373          | ŠROUB               | SCREW                     |
| 8            | S080 263277          | PRŮŽINA ODSTŘIHU    | SPRING OF THREAD TRIMMING |
| 9            | S080 120441          | ŠROUB               | SCREW                     |
| 11           | S080 111376          | ŠROUB               | SCREW                     |
| 12           |                      | VIZ POS. 2          | SEE 2                     |
| 16           | S080 120293          | ŠROUB M5 x 12       | SCREW M5 x 12             |
| 17           |                      | VIZ POS. 3          | SEE 3                     |
| 18           |                      | VIZ POS. 3          | SEE 3                     |
| 21           | S311 732005          | POJ. KROUŽEK        | RETAINING RING            |
| 22           | S980 027598          | JÁDRO ÚPLNÉ         | CORE CPL.                 |
| 23           | S980 094011          | ELEKTROMAGNET       | ELECTROMAGNET             |
| 24           | S311 732040          | POJ. KROUŽEK        | RETAINING RING            |
| 25           | 9202 002467          | ŠROUB               | SCREW                     |
| 26           |                      | VIZ POS. 1          | SEE 1                     |
| 31           | S080 126065          | ŠROUB               | SCREW                     |
| 32           | S980 094061          | CÍVKA ÚPLNÁ         | INDUCTION COIL CPL.       |
| 33           | S080 814485          | PŘÍRUBA             | FLANGE                    |
| 34           | 9203 313022          | ŠROUB               | SCREW                     |
| 35           | 9217 300518          | ŠROUB               | SCREW                     |
| 36           | S080 441689          | TÉLESO MAGNETU      | BODY OF ELECTROMAGNET     |

| Pos.<br>Det. | Dílec č.<br>Part No. | Název | Denomination |
|--------------|----------------------|-------|--------------|
|--------------|----------------------|-------|--------------|

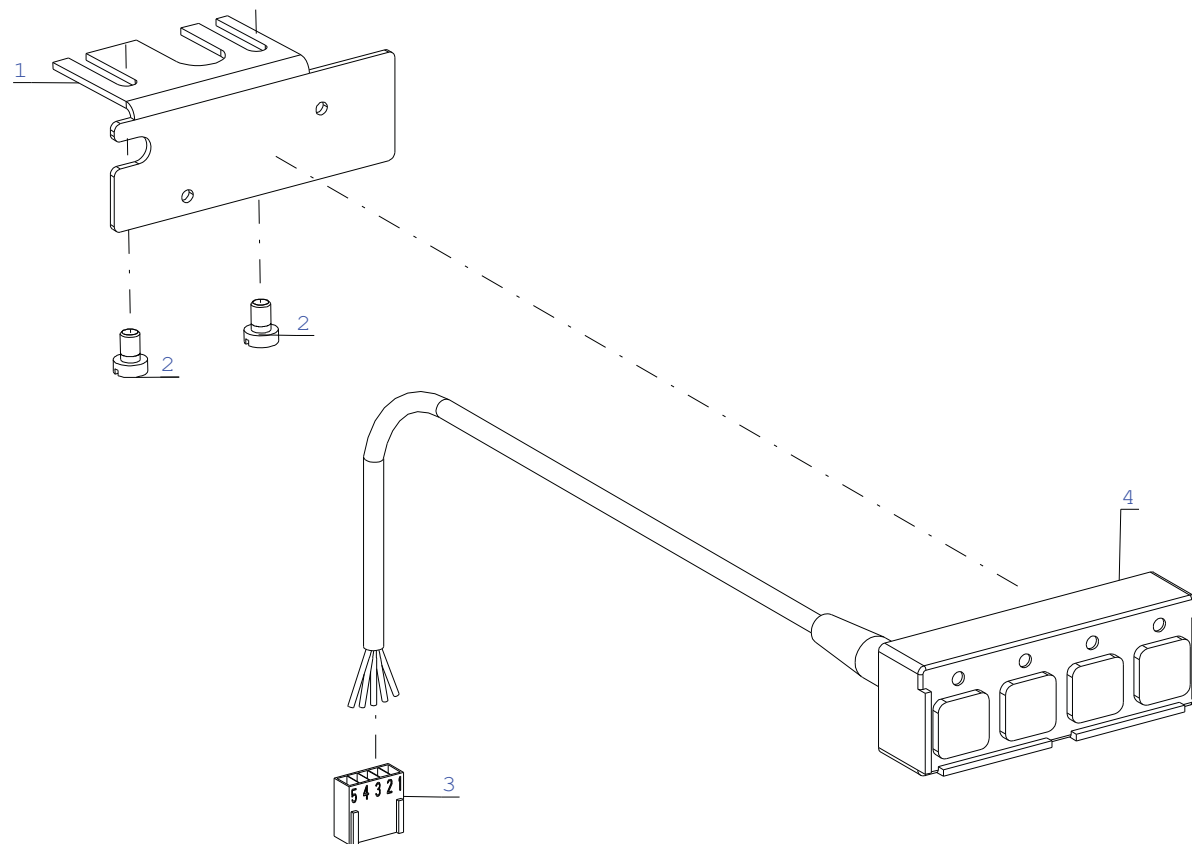


## M 249

| Pos.<br>Det. | Dílec č.<br>Part No. | Název                        | Denomination    |
|--------------|----------------------|------------------------------|-----------------|
| .....        | S980 000249 .....    | ELEKTROMAGNETICKÉ ZPÁTKOVÁNÍ | EMG BACKTACKING |
| 1 .....      | .....                | VIZ S980 000249 .....        | SEE S980 000249 |
| 2 .....      | S080 161142 .....    | MATICE M6 .....              | NUT M6          |
| 4 .....      | S080 191108 .....    | PODLOŽKA .....               | WASHER          |
| 5 .....      | S080 318234 .....    | ČEP .....                    | PIN             |
| 6 .....      | .....                | VIZ S980 000249 .....        | SEE S980 000249 |
| 7 .....      | S080 418184 .....    | KLADKA .....                 | ROLLER          |
| 8 .....      | .....                | VIZ S980 000249 .....        | SEE S980 000249 |
| 9 .....      | .....                | VIZ S980 000249 .....        | SEE S980 000249 |
| 10 .....     | .....                | VIZ S980 000249 .....        | SEE S980 000249 |
| 11 .....     | S080 943212 .....    | PODLOŽKA .....               | WASHER          |
| 12 .....     | S080 190675 .....    | PODLOŽKA .....               | WASHER          |
| 13 .....     | S080 141111 .....    | ŠROUB M6 x 8 .....           | SCREW M6 x 8    |
| 14 .....     | S080 190346 .....    | PODLOŽKA 6,4 .....           | WASHER 6.4      |
| 16 .....     | .....                | VIZ S980 000249 .....        | SEE S980 000249 |
| 17 .....     | S080 123117 .....    | ŠROUB .....                  | SCREW           |
| 18 .....     | S080 425327 .....    | POUZDRO .....                | CASE            |
| 20 .....     | S311 732040 .....    | POJ. KROUŽEK .....           | RETAINING RING  |

| Pos.<br>Det. | Dílec č.<br>Part No. | Název | Denomination |
|--------------|----------------------|-------|--------------|
|--------------|----------------------|-------|--------------|



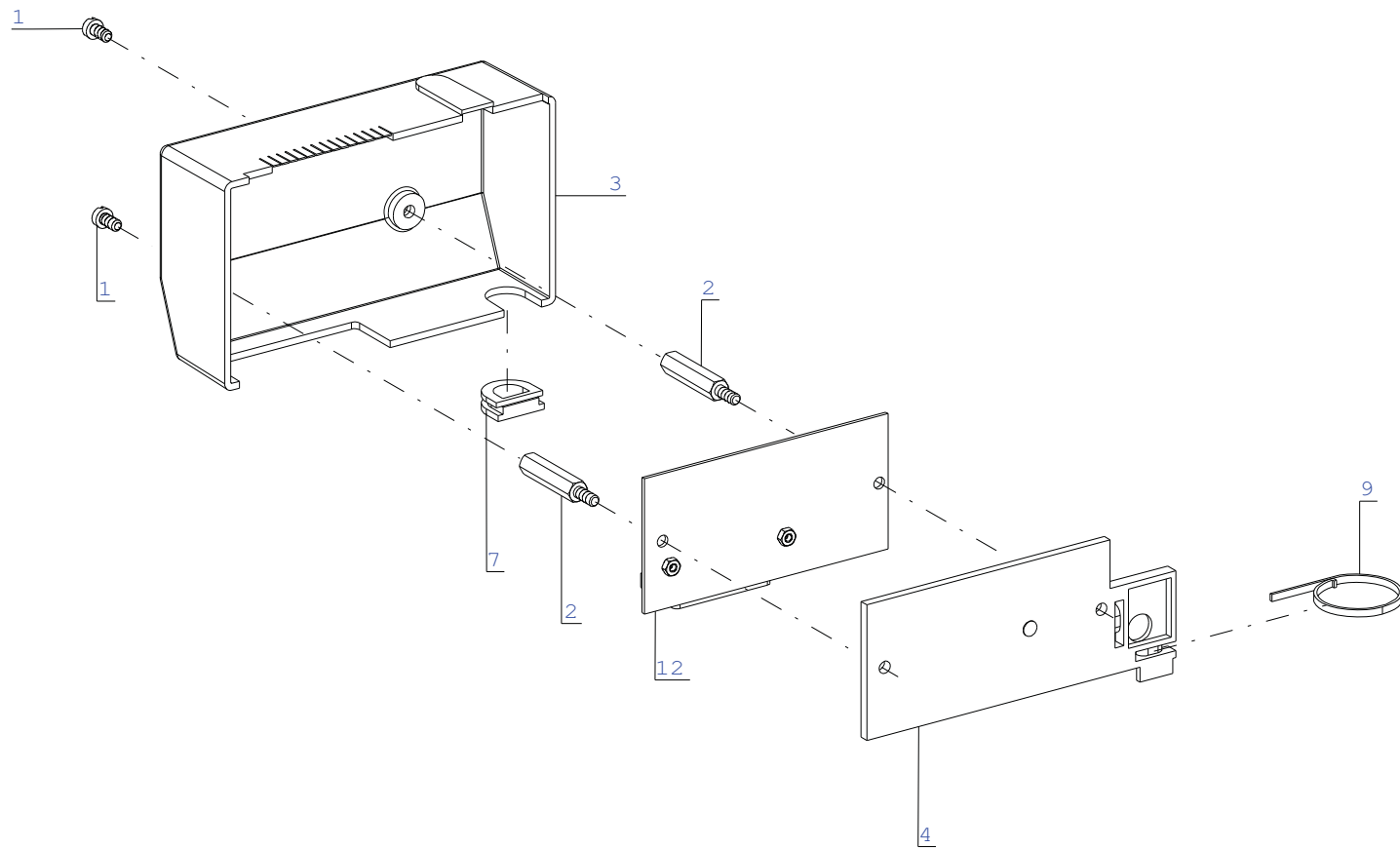


|   |          |        |
|---|----------|--------|
| 1 | Ž LUT Á  | YELLOW |
| 2 | ZELEN Á  | GREEN  |
| 3 | HN Ě D Á | BROWN  |
| 4 | B Í L Á  | WHITE  |
| 5 | Š ED Á   | GREY   |

M 521

| Pos.<br>Det. | Dílec č.<br>Part No. | Název            | Denomination      |
|--------------|----------------------|------------------|-------------------|
|              | S980 000521          | TLAČÍTKOVÝ PANEL | PUSH-BUTTON PANEL |
| 1            | S080 839346          | DRŽÁK            | HOLDER            |
| 2            | S309 738406          | ŠROUB            | SCREW             |
| 3            |                      | VIZ S980 000521  | SEE S980 000521   |
| 4            | 9880 003000          | TLAČÍTKO         | PRESS BUTTON      |

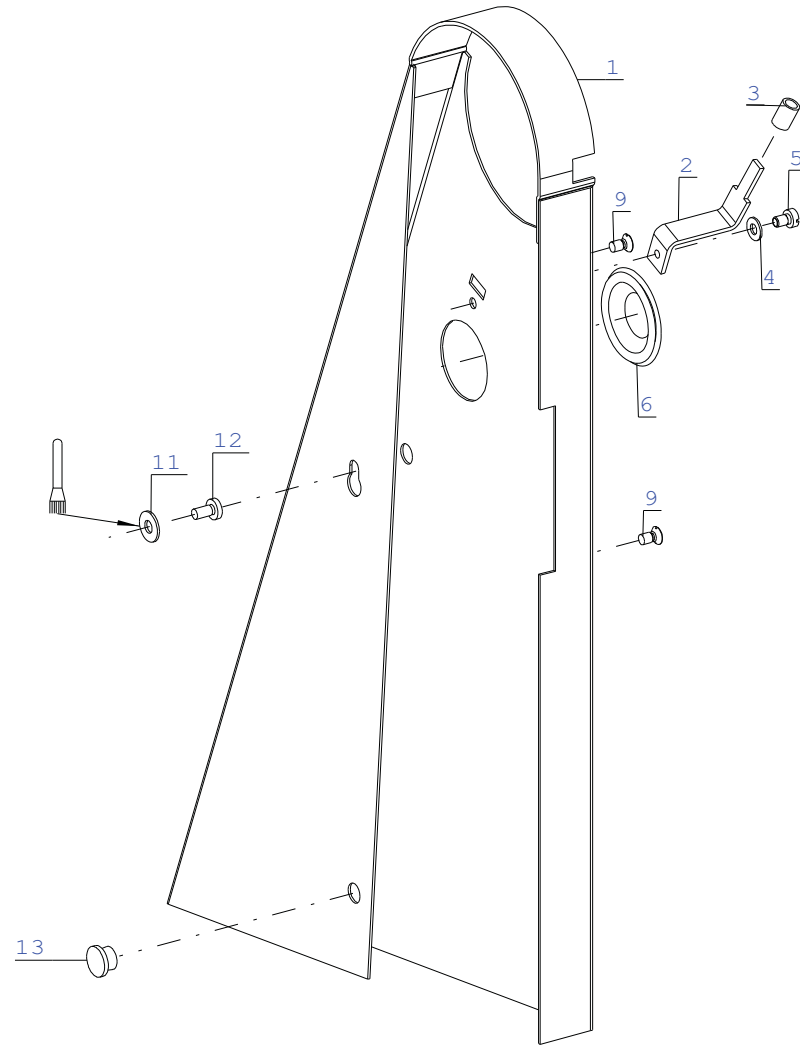
| Pos.<br>Det. | Dílec č.<br>Part No. | Název | Denomination |
|--------------|----------------------|-------|--------------|
|--------------|----------------------|-------|--------------|



M 008

| Pos.<br>Det. | Dílec č.<br>Part No. | Název                     | Denomination            |
|--------------|----------------------|---------------------------|-------------------------|
| .....        | S980 000008 .....    | ELEKTRICKÝ ROZVADĚČ ..... | ELECTRICAL SWITCH BOARD |
| 1 .....      | S080 120410 .....    | ŠROUB M4 x 8 .....        | SCREW M4 x 8            |
| 2 .....      | S080 146060 .....    | ŠROUB .....               | SCREW                   |
| 3 .....      | S321 952449 .....    | KRYT .....                | COVER                   |
| 4 .....      | S321 952451 .....    | PODLOŽKA .....            | WASHER                  |
| 7 .....      | S273 940165 .....    | PRŮCHODKA .....           | BUSHING                 |
| 9 .....      | S562 411000 .....    | NG PÁSEK 2,5 x 135 .....  | NG BAND 2.5 x 135       |
| 12 .....     | S980 094029 .....    | DESKA ROZVODU .....       | PLATE OF WIRING         |

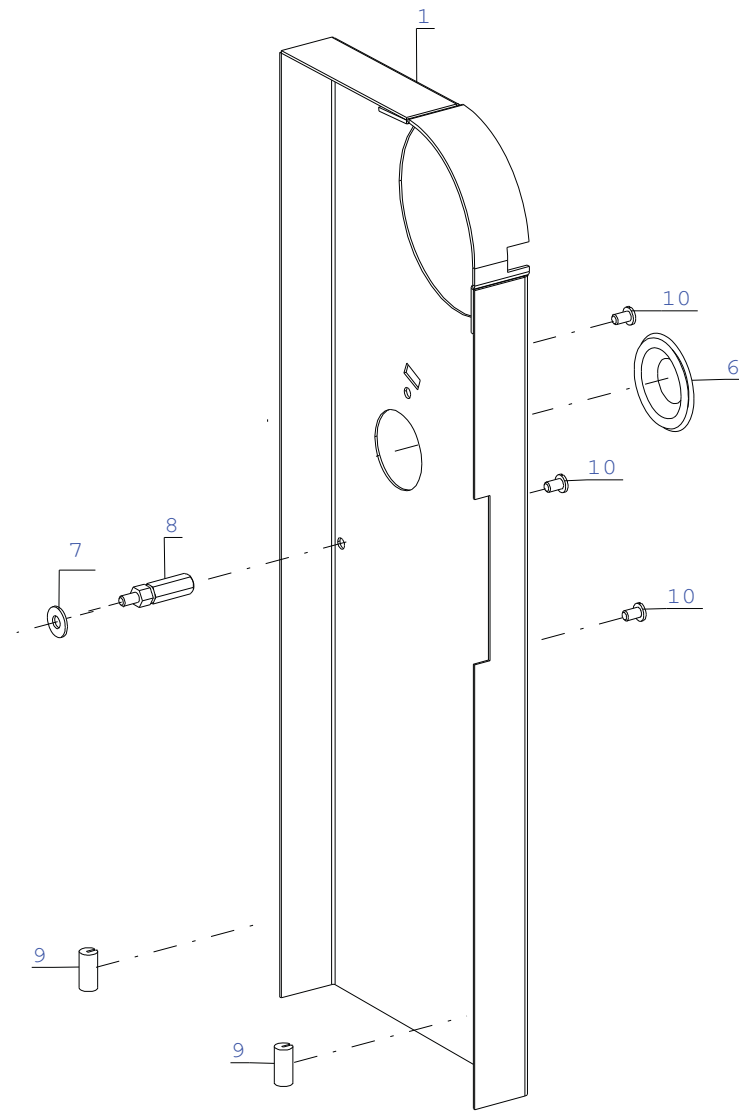
| Pos.<br>Det. | Dílec č.<br>Part No. | Název | Denomination |
|--------------|----------------------|-------|--------------|
|--------------|----------------------|-------|--------------|



## M 264

| Pos.<br>Det. | Dílec č.<br>Part No. | Název               | Denomination  |
|--------------|----------------------|---------------------|---------------|
| 1            | S980 057264          | KRYT ŘEMENE         | COVER OF BELT |
| 2            | S080 839323          | ZARÁŽKA             | STOPMOTION    |
| 3            | S283 002001          | HADIČKA PVC         | HOSE PVC      |
| 4            | S080 190369          | PODLOŽKA 4,3        | WASHER 4.3    |
| 5            | S080 120409          | ŠROUB M4 x 6        | SCREW M4 x 6  |
| 6            | S321 833821          | ZASL. ZÁTKA 1833821 | PLUG 1833821  |
| 9            | S080 123117          | ŠROUB               | SCREW         |
| 11           | S080 940179          | PODLOŽKA            | WASHER        |
| 12           | S309 798408          | ŠROUB M4 x 8        | SCREW M4 x 8  |
| 13           | S273 005001          | VLOŽKA              | INSERT        |

| Pos.<br>Det. | Dílec č.<br>Part No. | Název | Denomination |
|--------------|----------------------|-------|--------------|
|--------------|----------------------|-------|--------------|

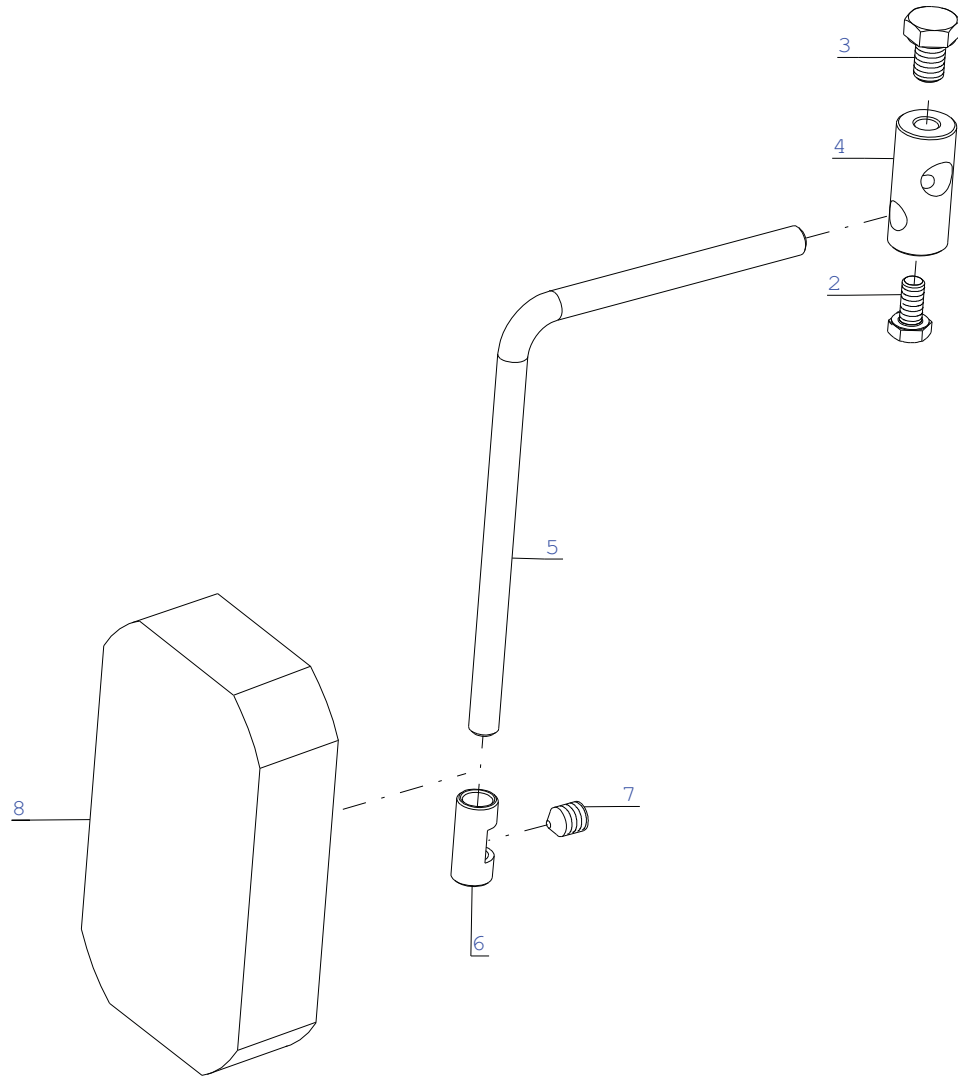


M 266

| Pos.<br>Det. | Dílec č.<br>Part No. | Název      | Denomination |
|--------------|----------------------|------------|--------------|
| 1            | S980 057270          | KRYT ÚPLNÝ | COVER CPL.   |
| 6            | S321 833821          | ZÁTKA      | PLUG         |
| 7            | S080 191120          | PODLOŽKA   | WASHER       |
| 8            | S080 146058          | ŠROUB      | SCREW        |
| 9            | S080 940177          | DORAZ      | STOP         |
| 10           | S080 123117          | ŠROUB      | SCREW        |

| Pos.<br>Det. | Dílec č.<br>Part No. | Název | Denomination |
|--------------|----------------------|-------|--------------|
|--------------|----------------------|-------|--------------|

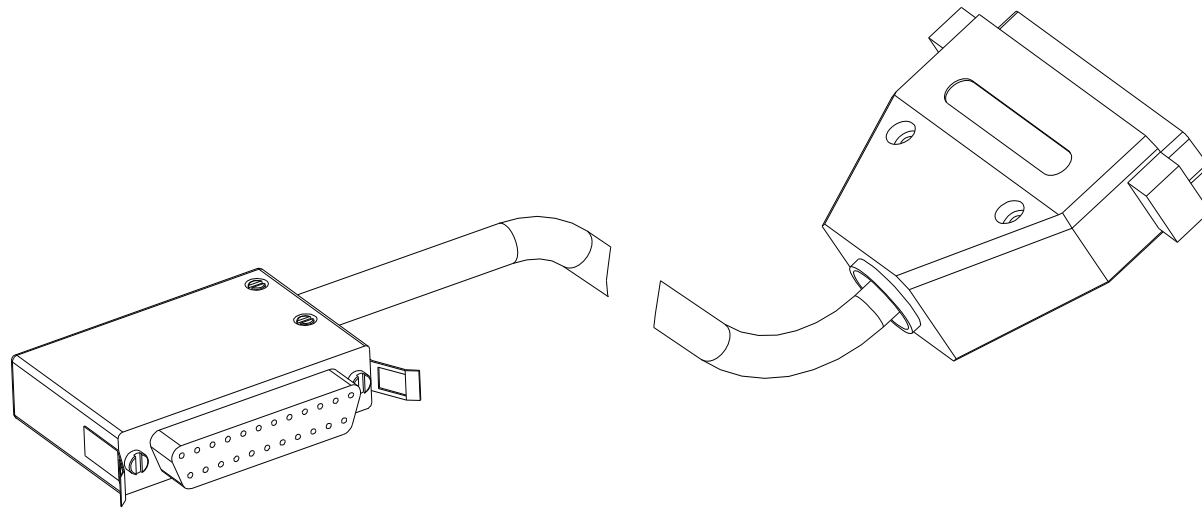




M 070

| Pos.<br>Det. | Dílec č.<br>Part No. | Název                 | Denomination    |
|--------------|----------------------|-----------------------|-----------------|
| .....        | S980 000070 .....    | KOLENNÍ PÁKA .....    | KNEE LEVER      |
| 2 .....      | S080 141098 .....    | ŠROUB M6 x 12 .....   | SCREW M6 x 12   |
| 3 .....      | S080 141121 .....    | ŠROUB M8 x 12 .....   | SCREW M8 x 12   |
| 4 .....      | .....                | VIZ S980 000070 ..... | SEE S980 000070 |
| 5 .....      | .....                | VIZ S980 000070 ..... | SEE S980 000070 |
| 6 .....      | S080 416146 .....    | POUZDRO .....         | CASE            |
| 7 .....      | 9205 102788 .....    | ŠROUB .....           | SCREW           |
| 8 .....      | 0396 130013 .....    | OPĚRKA .....          | CUSHION         |

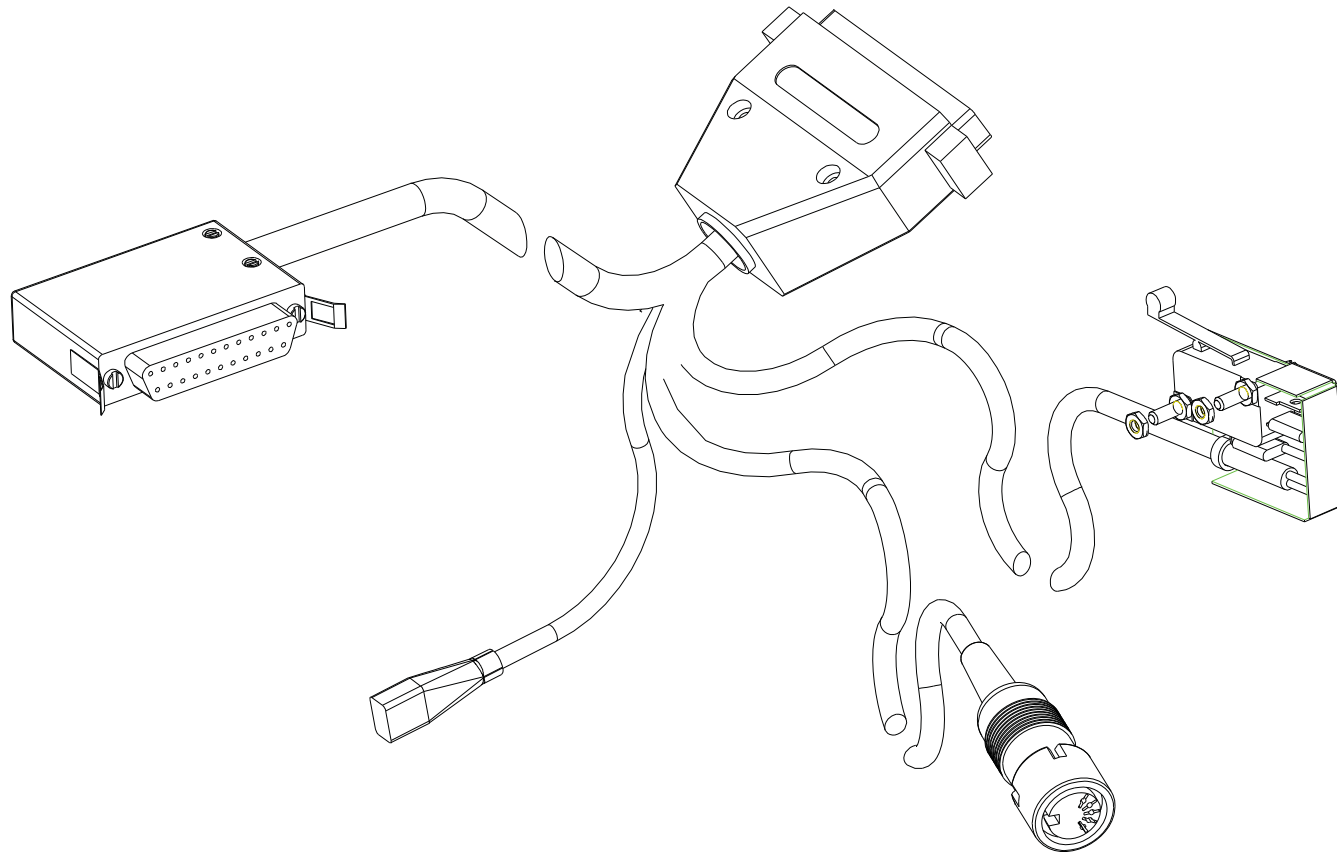
| Pos.<br>Det. | Dílec č.<br>Part No. | Název | Denomination |
|--------------|----------------------|-------|--------------|
|--------------|----------------------|-------|--------------|



M 163

| Pos.<br>Det. | Díllec č.<br>Part No. | Název                        | Denomination          |
|--------------|-----------------------|------------------------------|-----------------------|
| .....        | S980 000163 .....     | PROPOJOVACÍ KABEL EFKA ..... | CONNECTING CABLE EFKA |

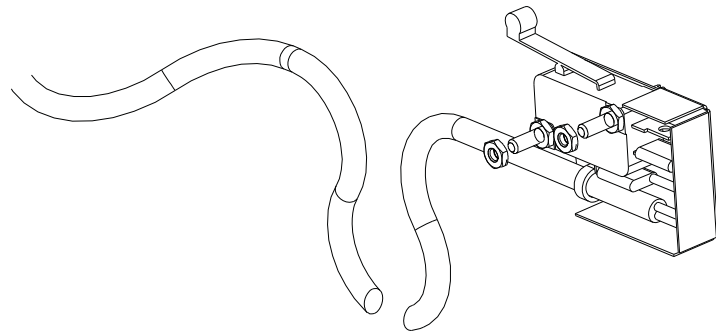
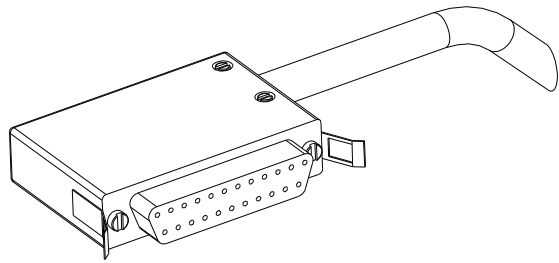
| Pos.<br>Det. | Díllec č.<br>Part No. | Název | Denomination |
|--------------|-----------------------|-------|--------------|
|--------------|-----------------------|-------|--------------|



M 301

| Pos.<br>Det. | Díllec č.<br>Part No. | Název                   | Denomination     |
|--------------|-----------------------|-------------------------|------------------|
| .....        | S980 000301 .....     | PROPOJOVACÍ KABEL ..... | CONNECTING CABLE |

| Pos.<br>Det. | Díllec č.<br>Part No. | Název | Denomination |
|--------------|-----------------------|-------|--------------|
|--------------|-----------------------|-------|--------------|



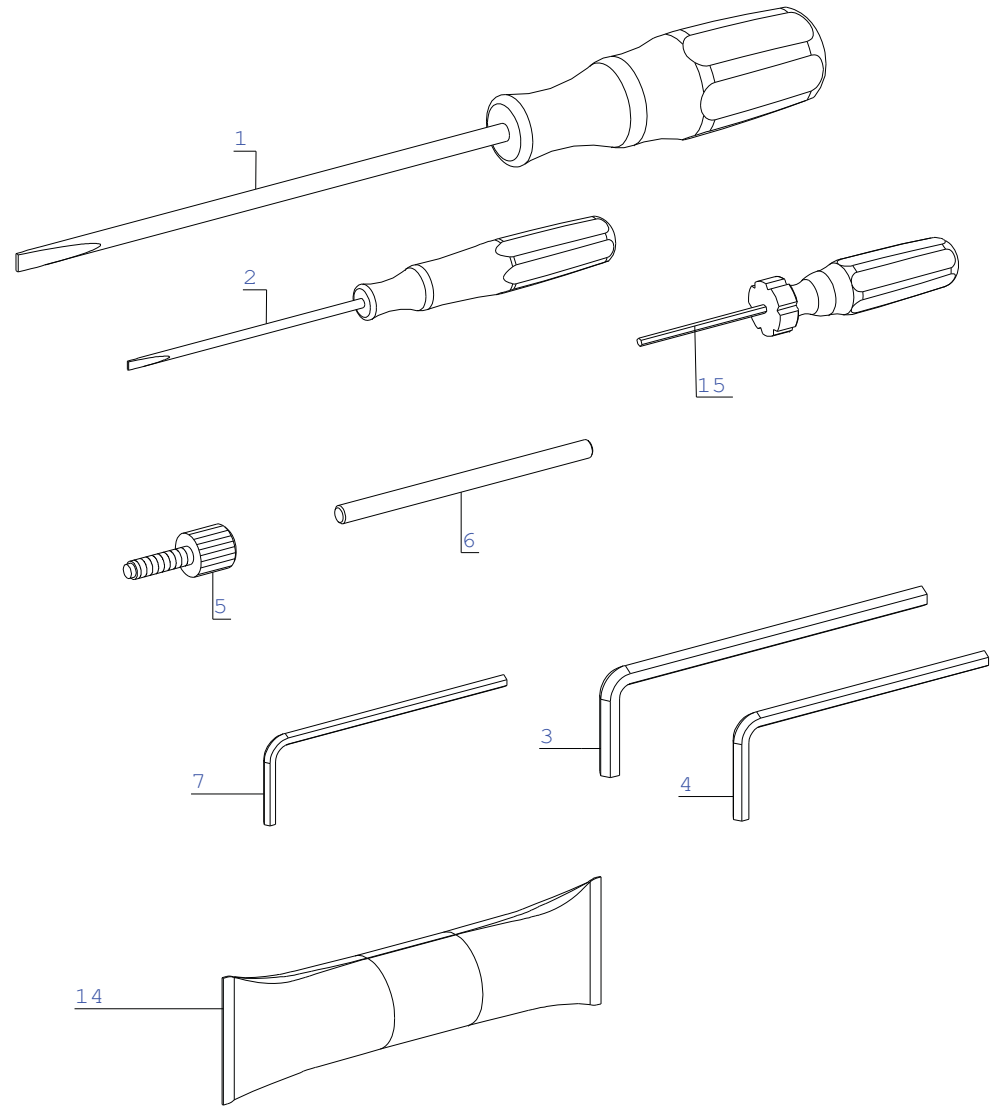
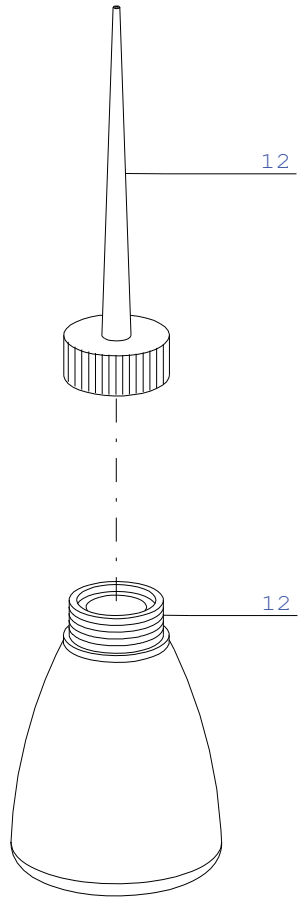
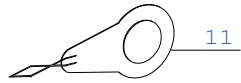
M 325

| Pos.<br>Det. | Díllec č.<br>Part No. | Název | Denomination |
|--------------|-----------------------|-------|--------------|
|--------------|-----------------------|-------|--------------|

..... S980 000325 ..... PROPOJOVACÍ KABEL ..... CONNECTING CABLE

| Pos.<br>Det. | Díllec č.<br>Part No. | Název | Denomination |
|--------------|-----------------------|-------|--------------|
|--------------|-----------------------|-------|--------------|

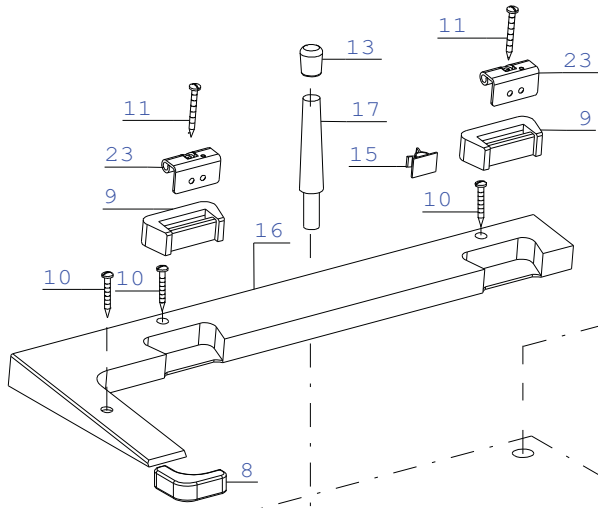
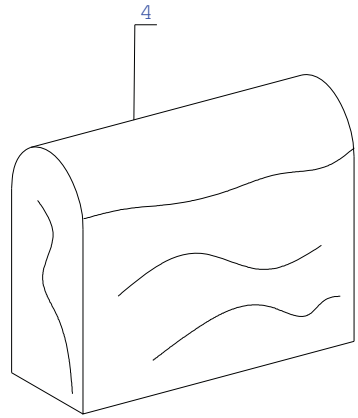




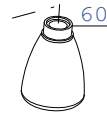
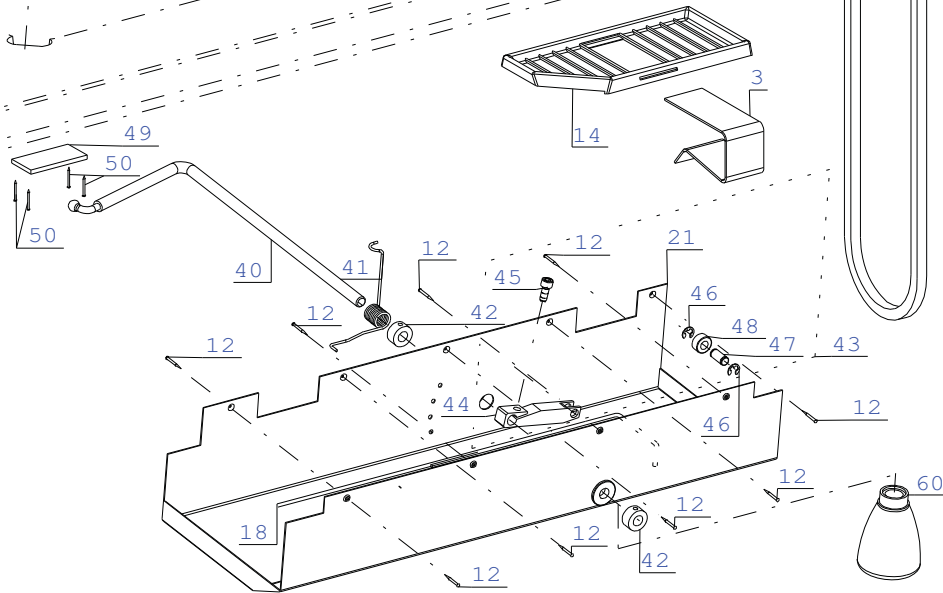
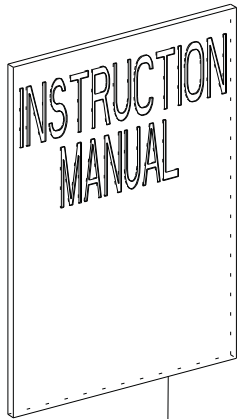
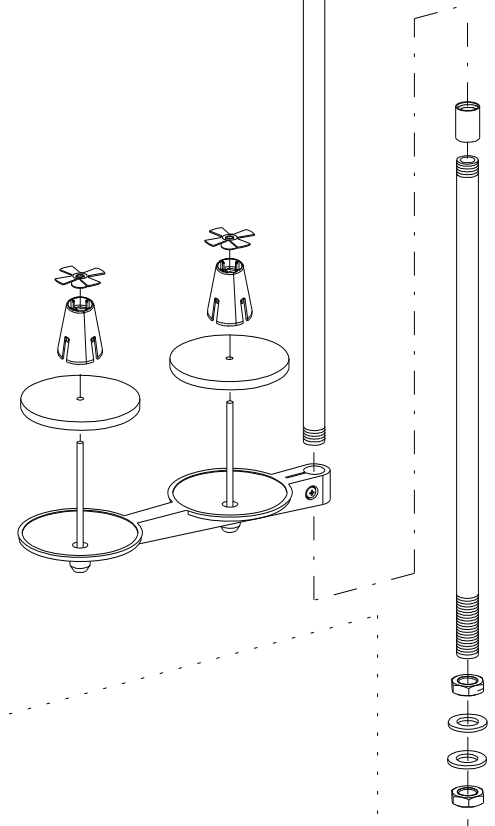
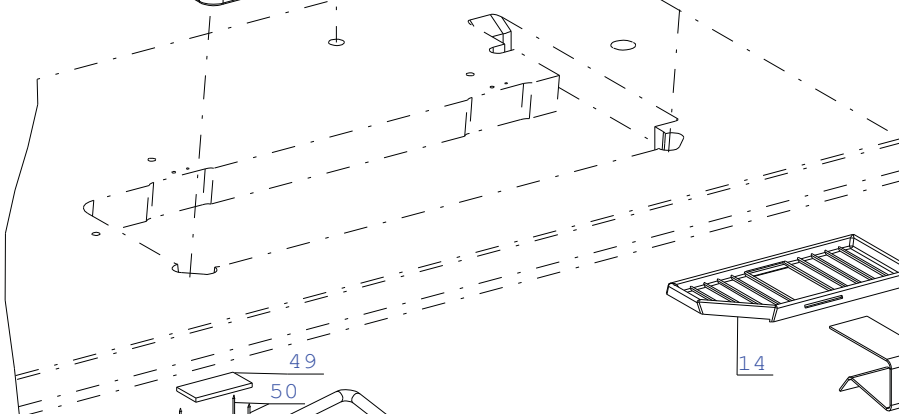
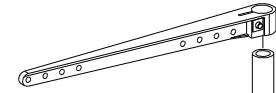
## M 015

| Pos.<br>Det. | Dílec č.<br>Part No. | Název                          | Denomination         |
|--------------|----------------------|--------------------------------|----------------------|
| .....        | S980 000015 .....    | STANDARDNÍ PŘÍSLUŠENSTVÍ ..... | STANDARD ACCESSORIES |
| 1 .....      | 9081 500051 .....    | ŠROUBOVÁK .....                | SCREWDRIVER          |
| 2 .....      | 9081 500010 .....    | ŠROUBOVÁK .....                | SCREWDRIVER          |
| 3 .....      | S413 000500 .....    | KLÍČ IMBUS 5 .....             | SPANNER IMBUS 5      |
| 4 .....      | S413 000400 .....    | KLÍČ IMBUS 4 .....             | SPANNER IMBUS 4      |
| 5 .....      | S080 133124 .....    | ARETAČNÍ ŠROUB .....           | FIXING SCREW         |
| 6 .....      | S080 310470 .....    | NASTAVOVACÍ KOLÍK .....        | SETTING PIN          |
| 7 .....      | S413 000500 .....    | KLÍČ IMBUS 3 .....             | SPANNER IMBUS 3      |
| 11 .....     | S548 001000 .....    | NAVLEKAČ NITÍ .....            | THREADING OF THREAD  |
| 12 .....     | 0052 000369 .....    | OLEJNÍČKA .....                | OIL CAN              |
| 14 .....     | 0211 000699 .....    | MAZACÍ OLEJ .....              | OIL                  |
| 15 .....     | 9081 100251 .....    | ŠROUBOVÁK .....                | SCREWDRIVER          |

| Pos.<br>Det. | Dílec č.<br>Part No. | Název | Denomination |
|--------------|----------------------|-------|--------------|
|--------------|----------------------|-------|--------------|



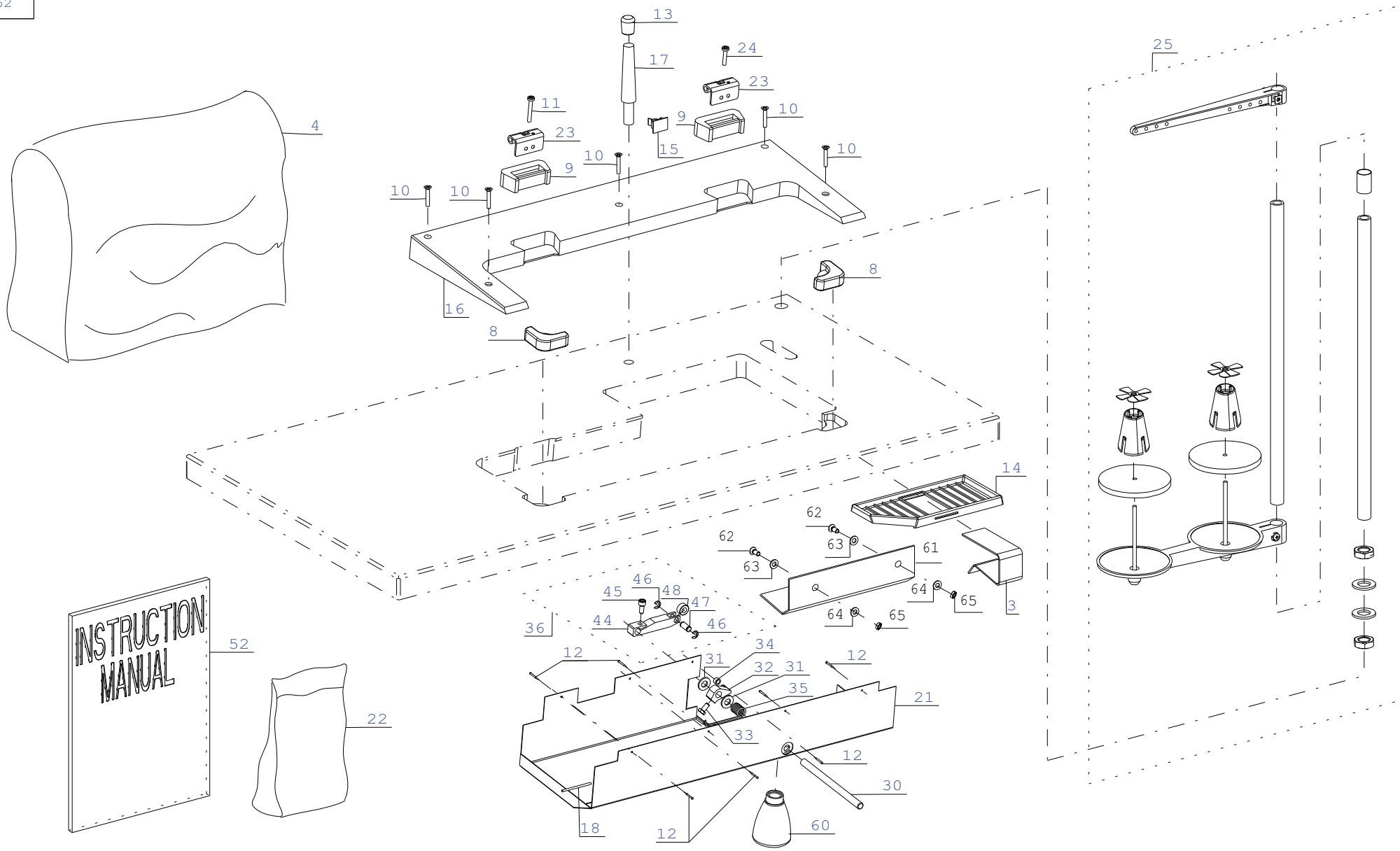
25



## M 176

| Pos.<br>Det. | Dílec č.<br>Part No. | Název                           | Denomination                            |
|--------------|----------------------|---------------------------------|---|
| 3            | S080 826387          | PŘÍCHYTKA                       | CLIP                                    |
| 4            | 0104 250010          | KRYT                            | COVER                                   |
| 7            | S272 226001          | KLÍNOVÝ ŘEMEN                   | V-BELT                                  |
| 8            | 0907 010050          | VLOŽKA                          | INSERT                                  |
| 9            | S273 940127          | VLOŽKA                          | INSERT                                  |
| 10           | S311 400030          | VRUT 5 x 30                     | SCREW 5 x 30                            |
| 11           | S311 400040          | VRUT 5 x 40                     | SCREW 5 x 40                            |
| 12           | 9840 123002          | HŘEB 2 x 23                     | NAIL 2 x 23                             |
| 13           | S321 026000          | ČEPIČKA 16 x 26                 | CAP 16 x 26                             |
| 14           | S321 953251          | MISKA                           | DISH                                    |
| 15           | S345 172000          | KABEL. PŘÍCHYTKA                | CABLE CLIP                              |
| 16           | S615 912025          | KLÍN                            | WEDGE                                   |
| 17           | S615 932046          | KOLÍK                           | PIN                                     |
| 18           | S708 130003          | KNOT MAZACÍ                     | WICK LUBRICATING                        |
| 21           | S980 057265          | OLEJOVÁ VANA S POUZDRY          | OIL TRAY WITH BUSHINGS                  |
| 23           | S980 060198          | ZÁVĚS ÚPLNÝ                     | HANGER CPL.                             |
| 25           | S981 036162          | NIŤ. STOJÁNEK PRO JEDNOJEHL.ST. | THREAD STAND FOR SINGLE-NEEDLE MACHINES |
| 40           | S080 383206          | PÁKA                            | LEVER                                   |
| 41           | S080 264330          | PRUŽINA                         | SPRING                                  |
| 42           | S980 052057          | STAVĚCÍ KROUŽEK                 | REGULATING RING                         |
| 43           | S981 027603          | PÁKA ÚPLNÁ                      | LEVER CPL.                              |
| 44           |                      | VIZ POS. 43                     | SEE 43                                  |
| 45           | S080 120295          | ŠROUB                           | SCREW                                   |
| 46           | S311 732060          | POJ. KROUŽEK                    | RETAINING RING                          |
| 47           |                      | VIZ POS. 43                     | SEE 43                                  |
| 48           |                      | VIZ POS. 43                     | SEE 43                                  |
| 49           | S080 941091          | PODLOŽKA                        | WASHER                                  |
| 50           | S314 016020          | HŘEB 1,6 x 20                   | NAIL 1.6 x 20                           |
| 52           |                      | DOKUMENTACE DLE TYPU STROJE     | DOCUMENTATION OF THE MACHINE TYPE       |
| 60           | 0052 000369          | OLEJNIČKA                       | OIL CAN                                 |

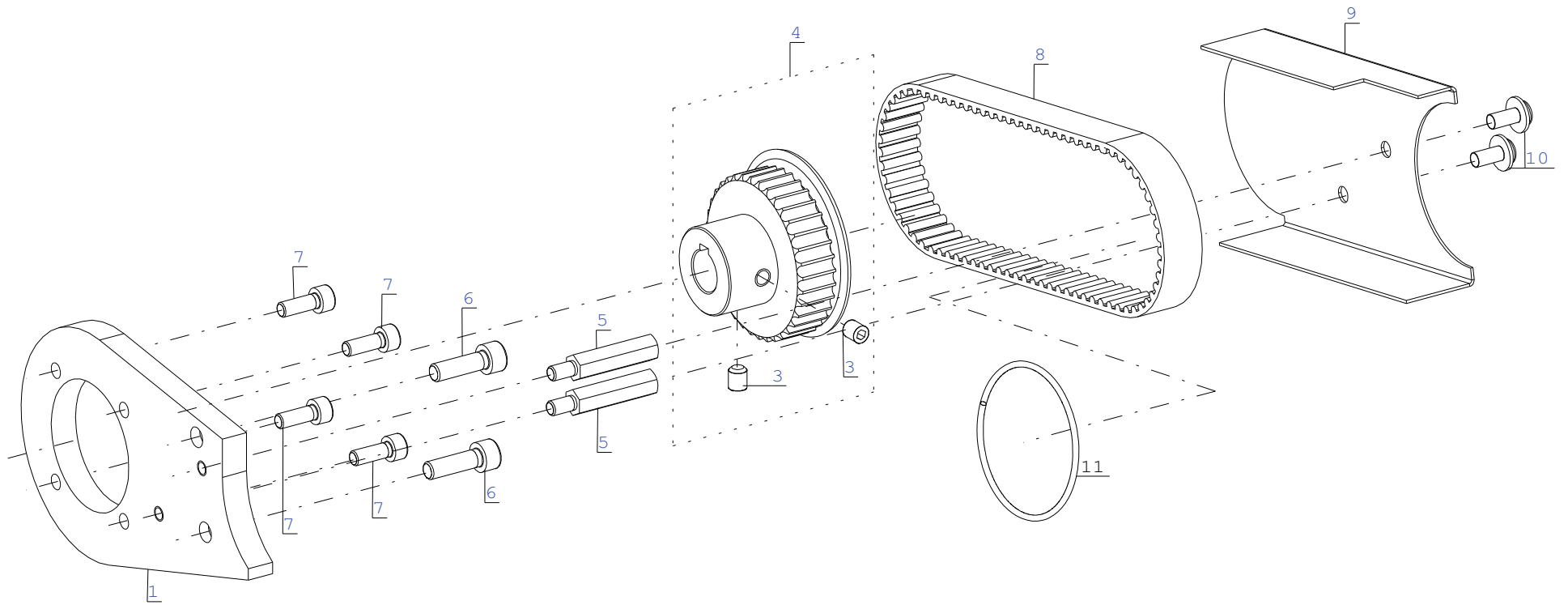
| Pos.<br>Det. | Dílec č.<br>Part No. | Název | Denomination |
|--------------|----------------------|-------|--------------|
|--------------|----------------------|-------|--------------|



## M 252

| Pos.<br>Det. | Dílec č.<br>Part No. | Název                           | Denomination                            |
|--------------|----------------------|---------------------------------|---|
| 3            | S080 826387          | PŘÍCHYTKA                       | CLIP                                    |
| 4            | 0104 250010          | KRYT                            | COVER                                   |
| 8            | 0907 010050          | VLOŽKA                          | INSERT                                  |
| 9            | S273 940127          | VLOŽKA                          | INSERT                                  |
| 10           | S311 400030          | VRUT 5 x 30                     | SCREW 5 x 30                            |
| 11           | S311 400040          | VRUT 5 x 40                     | SCREW 5 x 40                            |
| 12           | 9840 123002          | HŘEB                            | NAIL                                    |
| 13           | S321 026000          | ČEPIČKA 16 x 26                 | CAP 16 x 26                             |
| 14           | S321 953251          | MISKA                           | DISH                                    |
| 15           | S345 172000          | KABEL. PŘÍCHYTKA                | CABLE CLIP                              |
| 16           | S980 061238          | KLÍN                            | WEDGE                                   |
| 17           | S615 932046          | KOLÍK                           | PIN                                     |
| 18           | S708 130003          | KNOT MAZACÍ                     | WICK LUBRICATING                        |
| 21           | S980 057274          | OLEJOVÁ VANA ÚPLNÁ              | OIL TRAY CPL.                           |
| 22           | S981 094058          | ELEKTROINSTALAČNÍ MATERIÁL      | MATERIAL OF EL.INSTALATION              |
| 23           | S980 060198          | ZÁVĚS ÚPLNÝ                     | HANGER CPL.                             |
| 24           | S309 798025          | ŠROUB                           | SCREW                                   |
| 25           | S981 036162          | NIŤ. STOJÁNEK PRO JEDNOJEHL.ST. | THREAD STAND FOR SINGLE-NEEDLE MACHINES |
| 30           | S080 314210          | HŘÍDEL                          | SHAFT                                   |
| 31           | S080 941107          | KROUŽEK                         | RING                                    |
| 32           | S080 625022          | NARÁŽKA                         | STOP                                    |
| 33           | S080 141141          | ŠROUB                           | SCREW                                   |
| 34           | S283 068001          | HADIČKA PVC                     | HOSE PVC                                |
| 35           | S315 264339          | PRUŽINA                         | SPRING                                  |
| 36           | S981 027603          | PÁKA ÚPLNÁ                      | LEVER CPL.                              |
| 44           | S080 625186          | PÁKA                            | LEVER                                   |
| 45           | S080 120295          | ŠROUB                           | SCREW                                   |
| 46           | S311 732060          | POJIŠŤOVACÍ KROUŽEK             | RETAINING RING                          |
| 47           | S080 318238          | ČEP                             | PIN                                     |
| 48           | S080 418183          | KLADKA                          | ROLLER                                  |
| 52           |                      | Dokumentace dle typu stroje     | Documentation of the machine type       |
| 60           | 0052 000369          | OLEJNÍČKA                       | OIL CAN                                 |
| 61           | S080 831722          | KRYT                            | COVER                                   |
| 62           | 9201 112877          | ŠROUB                           | SCREW                                   |
| 63           | 9330 700107          | PODLOŽKA                        | WASHER                                  |
| 64           | 9330 000098          | PODLOŽKA                        | WASHER                                  |
| 65           | 9231 110108          | MATICE                          | NUT                                     |

| Pos.<br>Det. | Dílec č.<br>Part No. | Název | Denomination |
|--------------|----------------------|-------|--------------|
|--------------|----------------------|-------|--------------|

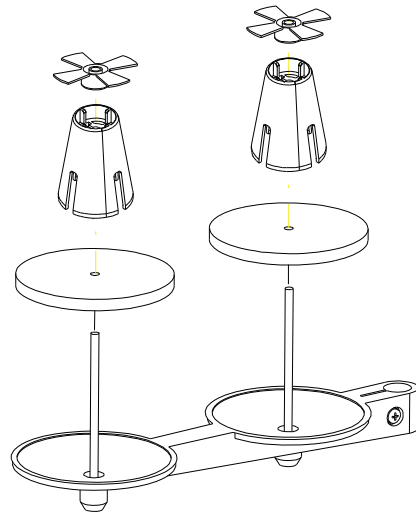
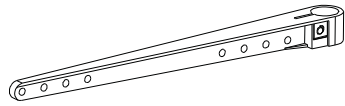


M 300

| Pos.<br>Det. | Dílec č.<br>Part No. | Název          | Denomination |
|--------------|----------------------|----------------|--------------|
| 1            | S080 836488          | DRŽÁK          | HOLDER       |
| 3            | 9205 102478          | ŠROUB          | SCREW        |
| 4            | S981 045566          | ŘEMENICE ÚPLNÁ | PULLEY CPL.  |
| 5            | S080 146064          | ŠROUB          | SCREW        |
| 6            | 9202 002908          | ŠROUB          | SCREW        |
| 7            | S309 543512          | ŠROUB          | SCREW        |
| 8            | S272 100519          | OZUBENÝ ŘEMEN  | TOOTHED BELT |
| 9            | S080 831710          | KRYT           | COVER        |
| 10           | S309 000510          | ŠROUB          | SCREW        |
| 11           | S080 274152          | KROUŽEK        | RING         |

| Pos.<br>Det. | Dílec č.<br>Part No. | Název | Denomination |
|--------------|----------------------|-------|--------------|
|--------------|----------------------|-------|--------------|

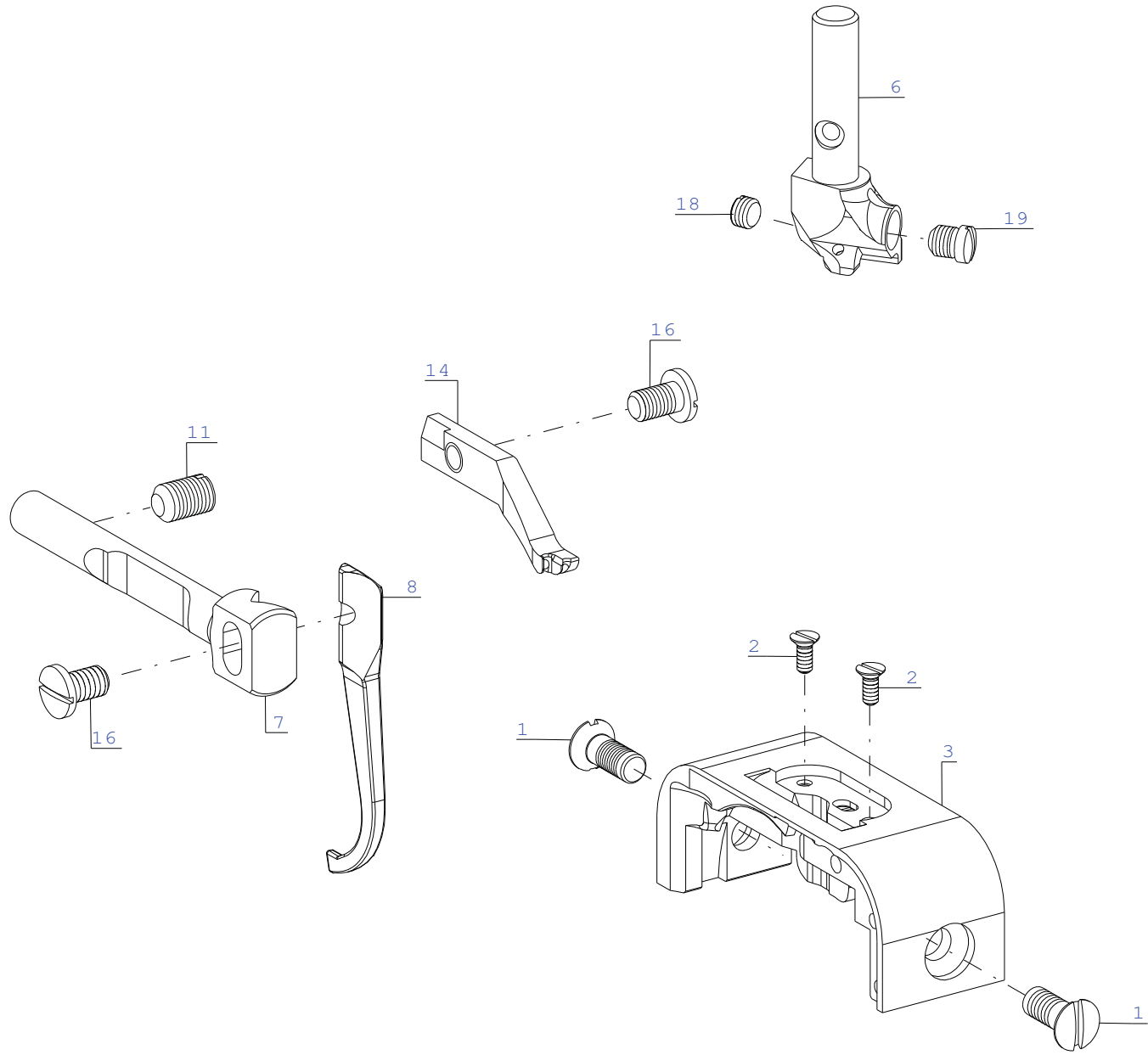




M 016

| Pos.<br>Det. | Dílce č.<br>Part No. | Název                             | Denomination                        |
|--------------|----------------------|-----------------------------------|-------------------------------------|
| .....        | S980 000016 .....    | ROZŠÍŘENÍ NIŤOVÉHO STOJÁNKU ..... | ADDITIONAL PART FOR THREAD<br>STAND |

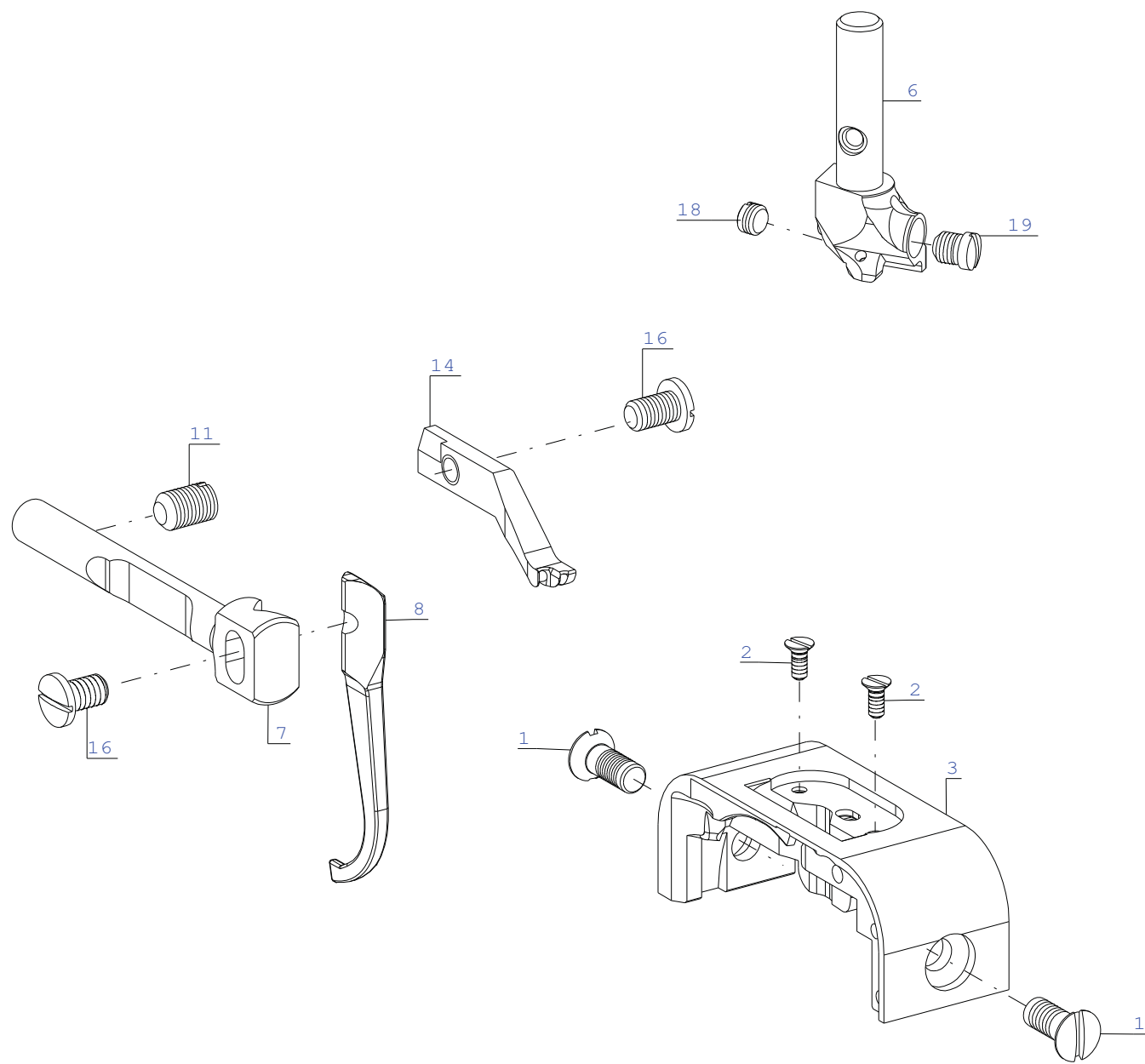
| Pos.<br>Det. | Dílce č.<br>Part No. | Název | Denomination |
|--------------|----------------------|-------|--------------|
|--------------|----------------------|-------|--------------|



## M 218

| Pos.<br>Det. | Dílec č.<br>Part No. | Název              | Denomination       |
|--------------|----------------------|--------------------|--------------------|
| 1            | S080 123180          | ŠROUB              | SCREW              |
| 2            | S080 126184          | ŠROUB M2 x 6       | SCREW M2 x 6       |
| 3            | S080 811825          | STĚHOVÁ DESKA      | THROAT PLATE       |
| 6            | S080 394190          | JEHELNÍK           | NEEDLE HOLDER      |
| 7            | S080 349213          | DRŽÁK VODIČE       | HOLDER             |
| 8            | S080 623291          | VODIČ JEHEL PŘEDNÍ | FRONT NEEDLE GUIDE |
| 11           | S080 111302          | ŠROUB M5 x 8       | SCREW M5 x 8       |
| 14           | S080 623292          | VODIČ JEHEL        | NEEDLE GUIDE       |
| 16           | S080 132112          | ŠROUB              | SCREW              |
| 18           | S080 111109          | ŠROUB              | SCREW              |
| 19           | S080 124051          | ŠROUB JEHELNÍKU    | SCREW              |

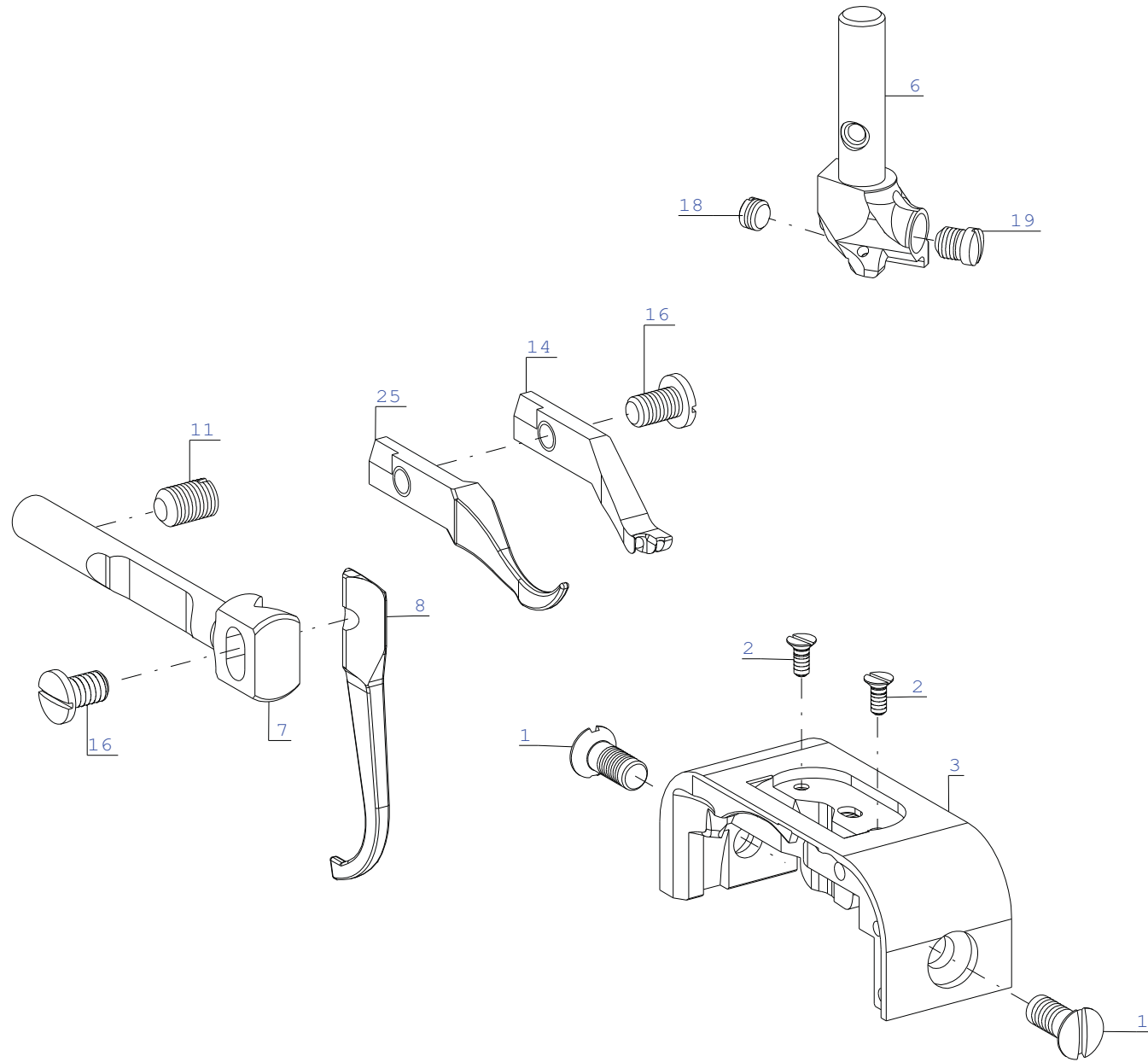
| Pos.<br>Det. | Dílec č.<br>Part No. | Název | Denomination |
|--------------|----------------------|-------|--------------|
|--------------|----------------------|-------|--------------|



## M 219

| Pos.<br>Det. | Dílec č.<br>Part No. | Název              | Denomination       |
|--------------|----------------------|--------------------|--------------------|
| 1            | S080 123180          | ŠROUB              | SCREW              |
| 2            | S080 126184          | ŠROUB              | SCREW              |
| 3            | S080 811817          | STĚHOVÁ DESKA      | THROAT PLATE       |
| 6            | S080 394190          | JEHELNÍK           | NEEDLE HOLDER      |
| 7            | S080 349213          | DRŽÁK VODIČE       | HOLDER             |
| 8            | S080 623291          | VODIČ JEHEL PŘEDNÍ | FRONT NEEDLE GUIDE |
| 11           | S080 111302          | ŠROUB M5 x 8       | SCREW M5 x 8       |
| 14           | S080 623288          | VODIČ JEHEL        | NEEDLE GUIDE       |
| 16           | S080 132112          | ŠROUB              | SCREW              |
| 18           | S080 111109          | ŠROUB              | SCREW              |
| 19           | S080 124051          | ŠROUB JEHELNÍKU    | SCREW              |

| Pos.<br>Det. | Dílec č.<br>Part No. | Název | Denomination |
|--------------|----------------------|-------|--------------|
|--------------|----------------------|-------|--------------|

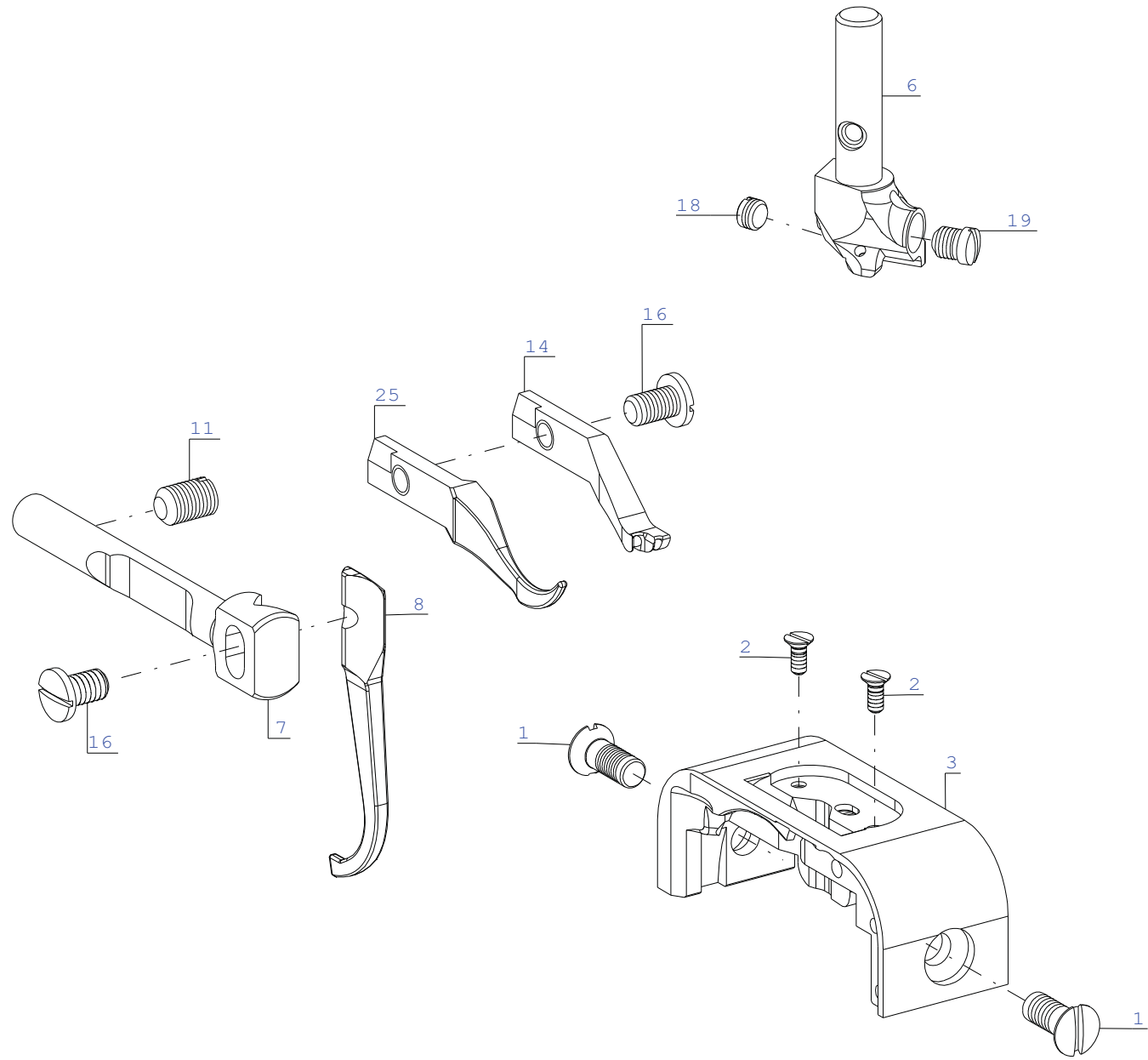


## M 220

| Pos.<br>Det. | Dílec č.<br>Part No. | Název              | Denomination       |
|--------------|----------------------|--------------------|--------------------|
| 1            | S080 123180          | ŠROUB              | SCREW              |
| 2            | S080 126184          | ŠROUB              | SCREW              |
| 3            | S080 811826          | STĚHOVÁ DESKA      | THROAT PLATE       |
| 6            | S080 394202          | JEHELNÍK           | NEEDLE HOLDER      |
| 7            | S080 349213          | DRŽÁK VODIČE       | HOLDER             |
| 8            | S080 623291          | VODIČ JEHEL PŘEDNÍ | FRONT NEEDLE GUIDE |
| 11           | S080 111302          | ŠROUB M5 x 8       | SCREW M5 x 8       |
| 14           | S080 623293          | VODIČ JEHEL        | NEEDLE GUIDE       |
| 16           | S080 132112          | ŠROUB              | SCREW              |
| 18           | S080 111109          | ŠROUB              | SCREW              |
| 19           | S080 124051          | ŠROUB JEHELNÍKU    | SCREW              |
| 25           | S080 623297          | VODIČ JEHEL        | NEEDLE GUIDE       |

| Pos.<br>Det. | Dílec č.<br>Part No. | Název | Denomination |
|--------------|----------------------|-------|--------------|
|--------------|----------------------|-------|--------------|

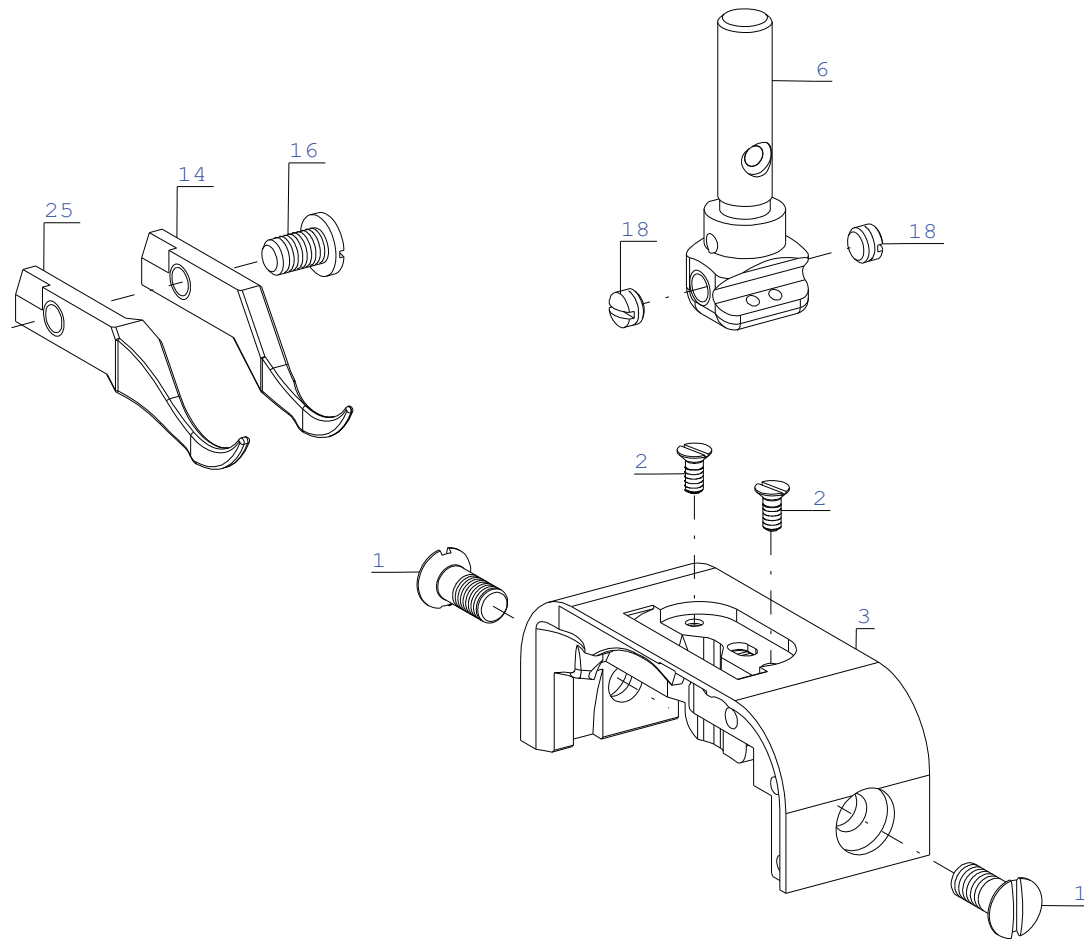




## M 221

| Pos.<br>Det. | Dílec č.<br>Part No. | Název              | Denomination       |
|--------------|----------------------|--------------------|--------------------|
| 1            | S080 123180          | ŠROUB              | SCREW              |
| 2            | S080 126184          | ŠROUB              | SCREW              |
| 3            | S080 811827          | STEHOVÁ DESKA      | THROAT PLATE       |
| 6            | S080 394202          | JEHELNÍK           | NEEDLE HOLDER      |
| 7            | S080 349213          | DRŽÁK VODIČE       | HOLDER             |
| 8            | S080 623291          | VODIČ JEHEL PŘEDNÍ | FRONT NEEDLE GUIDE |
| 11           | S080 111302          | ŠROUB M5 x 8       | SCREW M5 x 8       |
| 14           | S080 623294          | VODIČ JEHEL        | NEEDLE GUIDE       |
| 16           | S080 132112          | ŠROUB              | SCREW              |
| 18           | S080 111109          | ŠROUB              | SCREW              |
| 19           | S080 124051          | ŠROUB JEHELNÍKU    | SCREW              |
| 25           | S080 623297          | VODIČ JEHEL        | NEEDLE GUIDE       |

| Pos.<br>Det. | Dílec č.<br>Part No. | Název | Denomination |
|--------------|----------------------|-------|--------------|
|--------------|----------------------|-------|--------------|

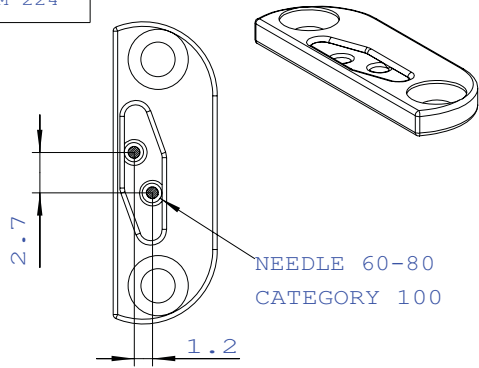


## M 222

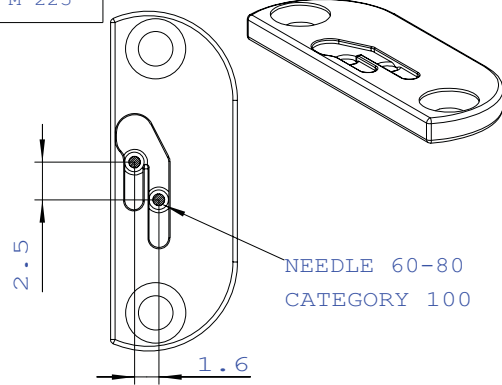
| Pos.<br>Det. | Dílec č.<br>Part No. | Název         | Denomination  |
|--------------|----------------------|---------------|---------------|
| 1            | S080 123180          | ŠROUB         | SCREW         |
| 2            | S080 126184          | ŠROUB         | SCREW         |
| 3            | S080 811828          | STĚHOVÁ DESKA | THROAT PLATE  |
| 6            | S080 394168          | JEHELNÍK      | NEEDLE HOLDER |
| 14           | S080 623289          | VODIČ JEHEL   | NEEDLE GUIDE  |
| 16           | S080 132112          | ŠROUB         | SCREW         |
| 18           | S080 111109          | ŠROUB         | SCREW         |
| 25           | S080 623297          | VODIČ JEHEL   | NEEDLE GUIDE  |

| Pos.<br>Det. | Dílec č.<br>Part No. | Název | Denomination |
|--------------|----------------------|-------|--------------|
|--------------|----------------------|-------|--------------|

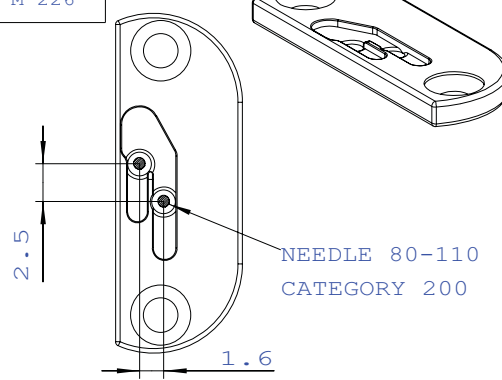
M 224



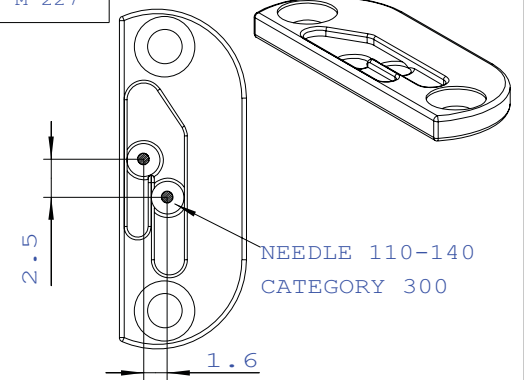
M 225



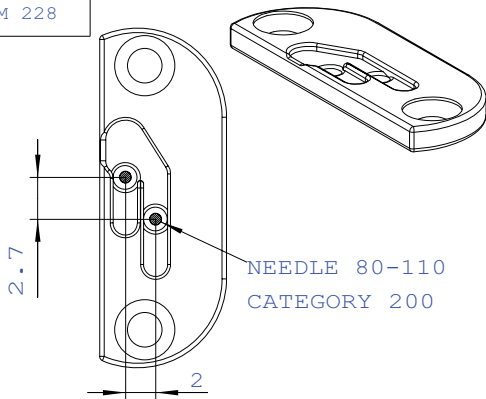
M 226



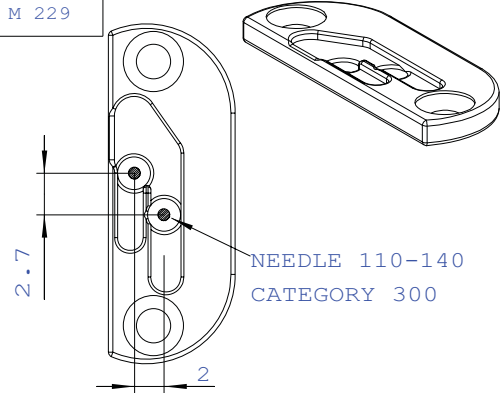
M 227



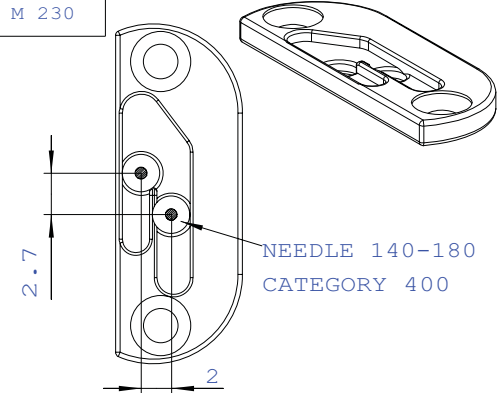
M 228



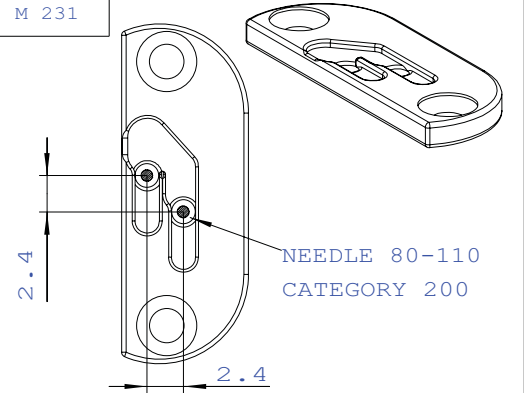
M 229



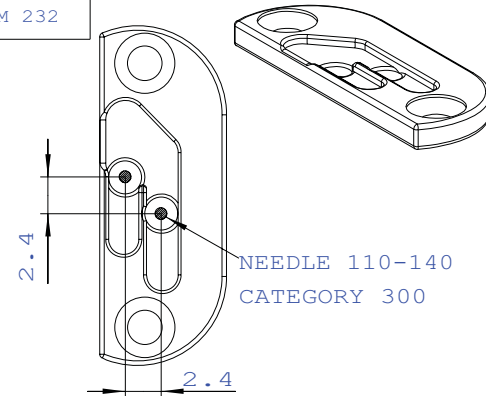
M 230



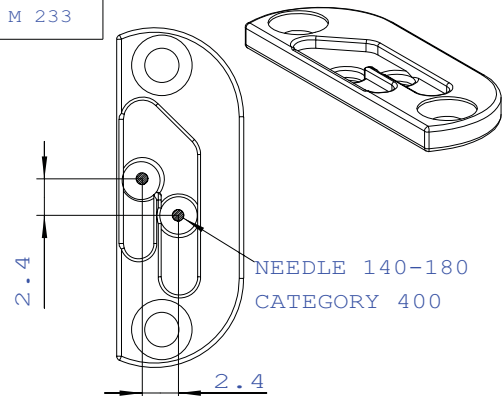
M 231



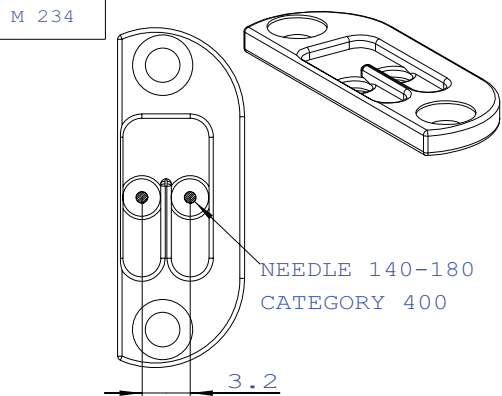
M 232



M 233



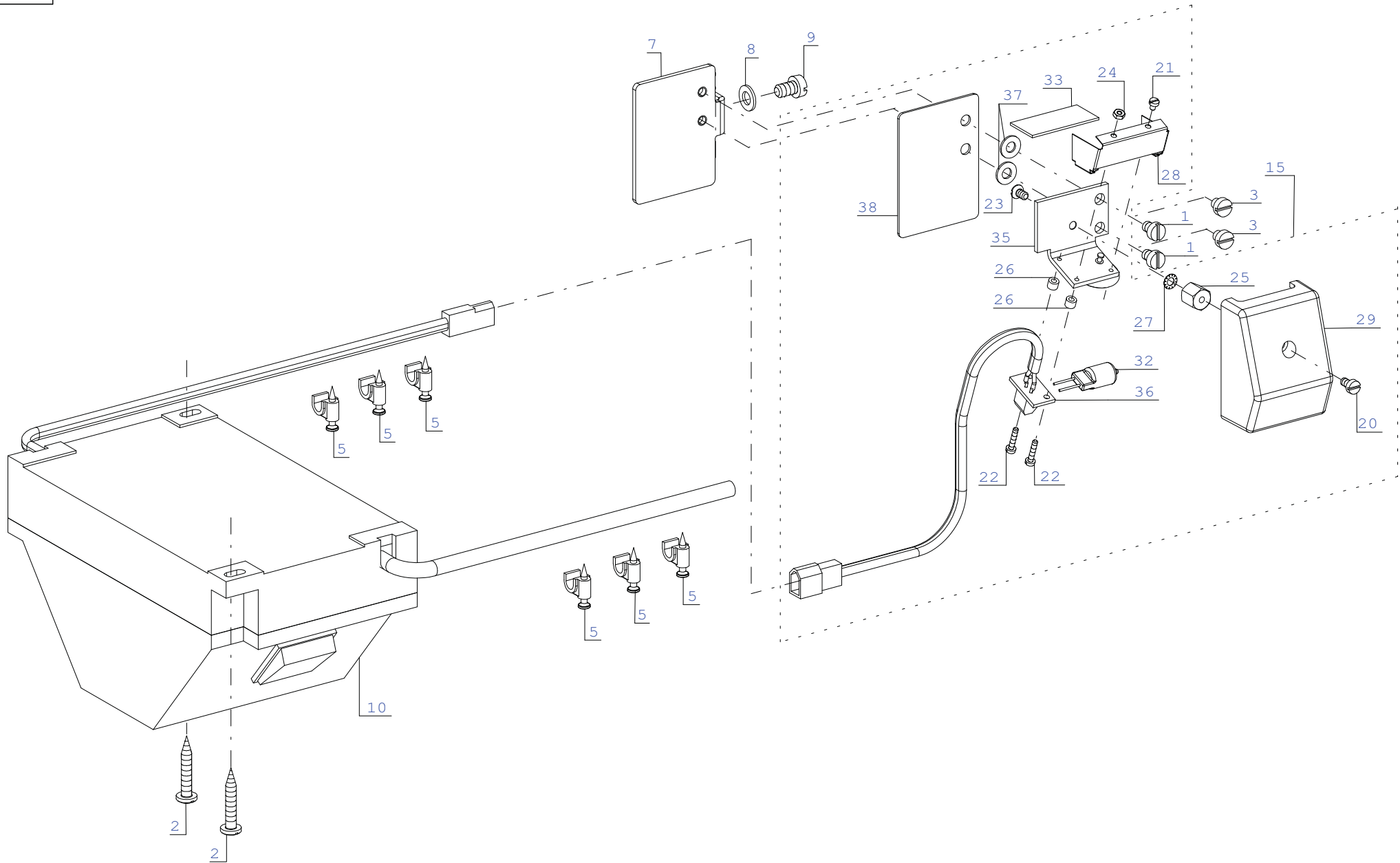
M 234



M 224 M 225 M 226 M 227 M 228 M 229 M 230 M 231 M 232 M 233 M 234

| Pos.<br>Det. | Dílce č.<br>Part No.    | Název                      | Denomination        |
|--------------|-------------------------|----------------------------|---------------------|
| M 224        | ..... S980 000224 ..... | VLOŽKA STEHOVÉ DESKY ..... | THROAT PLATE INSERT |
| M 225        | ..... S980 000225 ..... | VLOŽKA STEHOVÉ DESKY ..... | THROAT PLATE INSERT |
| M 226        | ..... S980 000226 ..... | VLOŽKA STEHOVÉ DESKY ..... | THROAT PLATE INSERT |
| M 227        | ..... S980 000227 ..... | VLOŽKA STEHOVÉ DESKY ..... | THROAT PLATE INSERT |
| M 228        | ..... S980 000228 ..... | VLOŽKA STEHOVÉ DESKY ..... | THROAT PLATE INSERT |
| M 229        | ..... S980 000229 ..... | VLOŽKA STEHOVÉ DESKY ..... | THROAT PLATE INSERT |
| M 230        | ..... S980 000230 ..... | VLOŽKA STEHOVÉ DESKY ..... | THROAT PLATE INSERT |
| M 231        | ..... S980 000231 ..... | VLOŽKA STEHOVÉ DESKY ..... | THROAT PLATE INSERT |
| M 232        | ..... S980 000232 ..... | VLOŽKA STEHOVÉ DESKY ..... | THROAT PLATE INSERT |
| M 233        | ..... S980 000233 ..... | VLOŽKA STEHOVÉ DESKY ..... | THROAT PLATE INSERT |
| M 234        | ..... S980 000234 ..... | VLOŽKA STEHOVÉ DESKY ..... | THROAT PLATE INSERT |

| Pos.<br>Det. | Dílce č.<br>Part No. | Název | Denomination |
|--------------|----------------------|-------|--------------|
|              |                      |       |              |

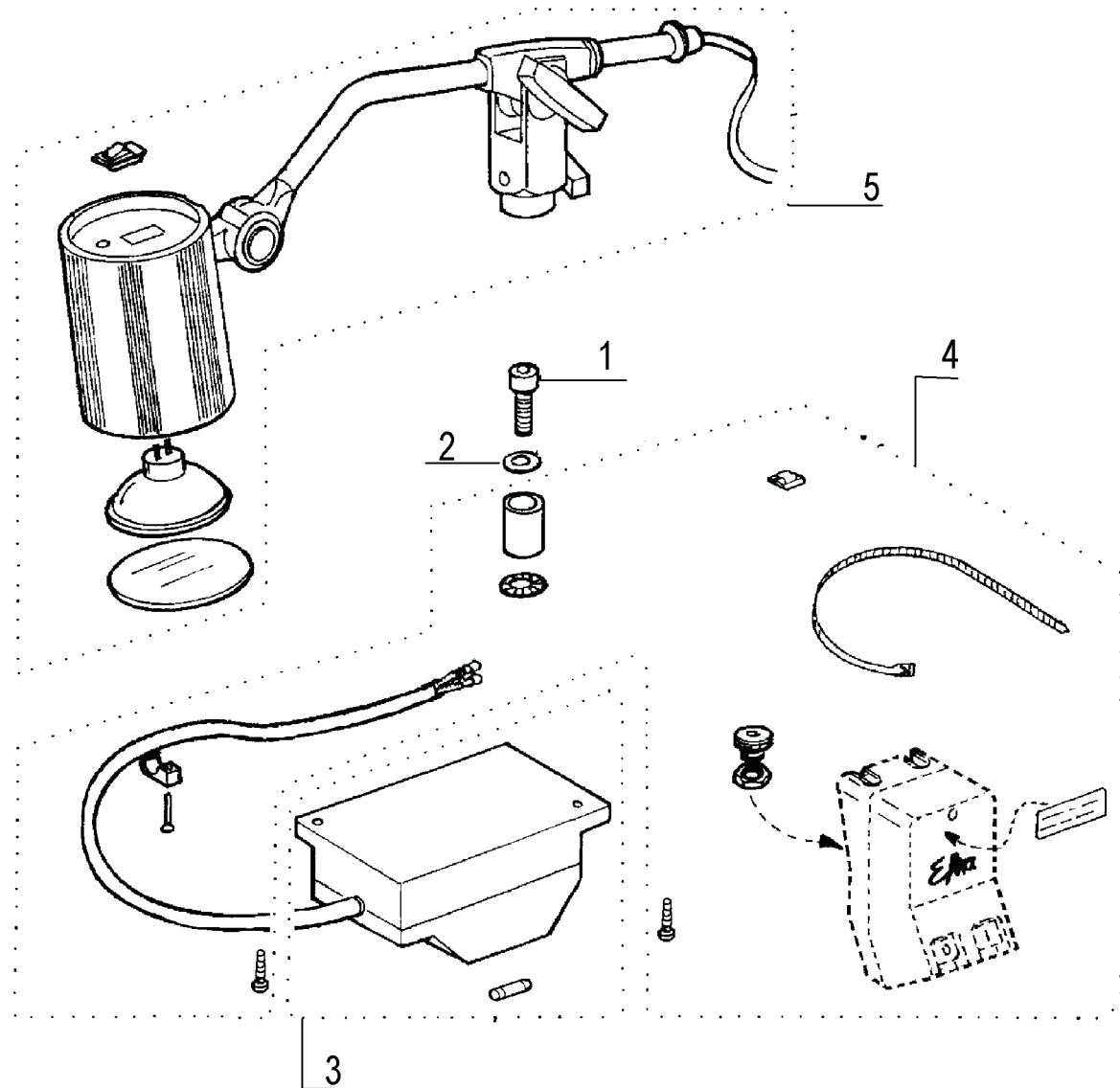


## M 010

| Pos.<br>Det. | Dílec č.<br>Part No. | Název                   | Denomination            |
|--------------|----------------------|-------------------------|-------------------------|
| .....        | S980 000010          | OSVĚTLENÍ               | LIGHTING                |
| 1            | S080 120218          | ŠROUB M4 x 6            | SCREW M4 x 6            |
| 2            | S311 400026          | VRUT                    | SCREW                   |
| 3            | S080 120332          | ŠROUB M4 x 4            | SCREW M4 x 4            |
| 5            | S345 012000          | KABEL. PŘÍCHYTKA KPNC   | CABLE CLIP              |
| 7            | S080 839332          | DRŽÁK SVĚTLA            | HOLDER OF LIGHT         |
| 8            | S080 190359          | PODLOŽKA                | WASHER                  |
| 9            | S080 120259          | ŠROUB M5 x 8            | SCREW M5 x 8            |
| 10           | S980 094025          | TRANSFORMÁTOR OSVĚTLENÍ | TRANSFORMER OF LIGHTING |
| 15           | S981 090091          | SVĚTLO                  | LIGHT                   |
| 20           | S080 120245          | ŠROUB M3 x 6            | SCREW M3 x 6            |
| 21           | S080 120339          | ŠROUB M2 x 3            | SCREW M2 x 3            |
| 22           | S080 120363          | ŠROUB M2 x 10           | SCREW M2 x 10           |
| 23           | S080 126065          | ŠROUB M3 x 6            | SCREW M3 x 6            |
| 24           | S080 161201          | MATICE                  | NUT                     |
| 25           | .....                | VIZ POS. 15             | SEE 15                  |
| 26           | .....                | VIZ POS. 15             | SEE 15                  |
| 27           | .....                | VIZ POS. 15             | SEE 15                  |
| 28           | .....                | VIZ POS. 15             | SEE 15                  |
| 29           | S321 952448          | KRYT OSVĚTLENÍ          | COVER OF LIGHTING       |
| 32           | S347 064415          | ŽÁROVKA 12V/10W         | BULB 12V/10W            |
| 33           | S632 953285          | KRYCÍ SKLO              | COVER GLASS             |
| 35           | .....                | VIZ POS. 15             | SEE 15                  |
| 36           | S980 094016          | DRŽÁK ŽÁROVKY           | HOLDER OF BULB          |
| 37           | S080 190369          | PODLOŽKA                | WASHER                  |
| 38           | S080 815304          | PODLOŽKA                | WASHER                  |

| Pos.<br>Det. | Dílec č.<br>Part No. | Název | Denomination |
|--------------|----------------------|-------|--------------|
|--------------|----------------------|-------|--------------|

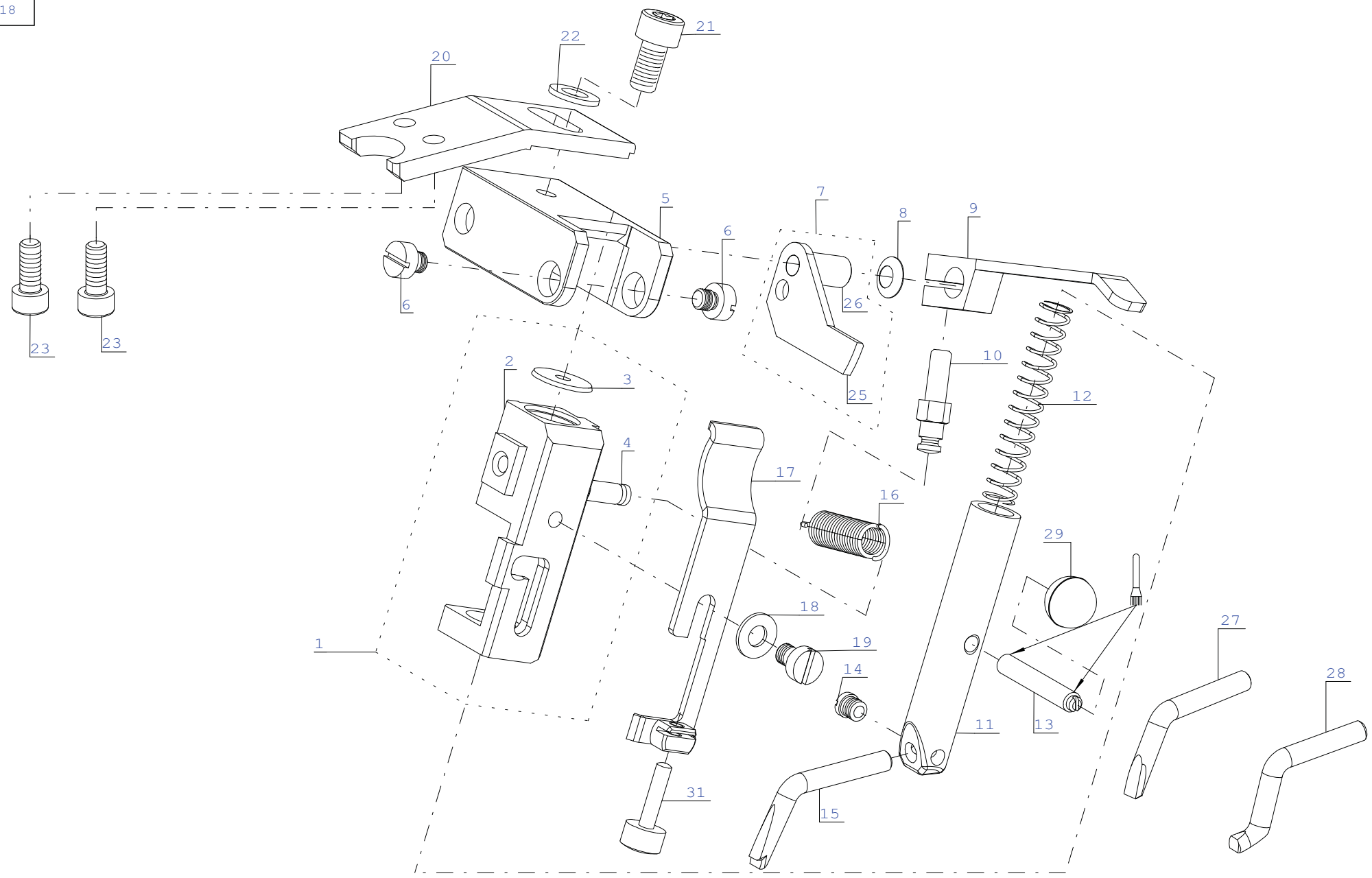




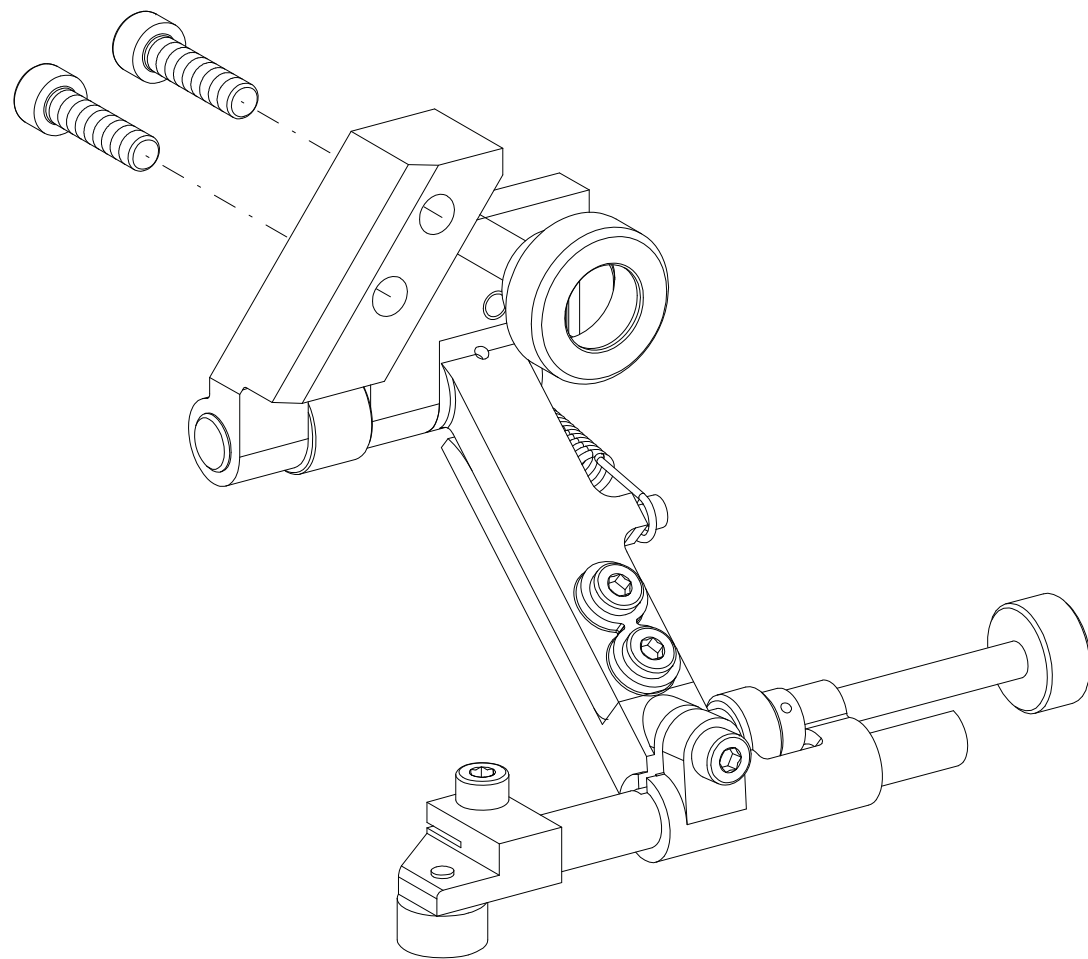
## Z 012

| Pos.<br>Det. | Dílec č.<br>Part No. | Název                         | Denomination            |
|--------------|----------------------|-------------------------------|-------------------------|
| .....        | S794 222012 .....    | OSVĚTLENÍ HALOGEN .....       | LIGHTING HALOGEN        |
| 1 .....      | S080 120692 .....    | ŠROUB .....                   | SCREW                   |
| 2 .....      | S080 190346 .....    | PODLOŽKA .....                | WASHER                  |
| 3 .....      | 0798 500088 .....    | TRANSFORMÁTOR OSVĚTLENÍ ..... | TRANSFORMER OF LIGHTING |
| 4 .....      | 0907 487519 .....    | SADA DÍLCŮ .....              | SET OF PARTS            |
| 5 .....      | 9822 510001 .....    | OSVĚTLENÍ .....               | LIGHT                   |

| Pos.<br>Det. | Dílec č.<br>Part No. | Název | Denomination |
|--------------|----------------------|-------|--------------|
|--------------|----------------------|-------|--------------|





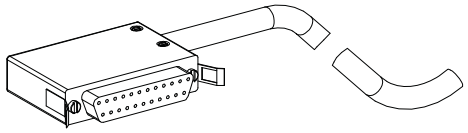


M 149

| Pos.<br>Det. | Dílec č.<br>Part No.    | Název            | Denomination    |
|--------------|-------------------------|------------------|-----------------|
|              | ..... S980 000149 ..... | VODIČ DÍLA ..... | SEWN WORK GUIDE |

| Pos.<br>Det. | Dílec č.<br>Part No. | Název | Denomination |
|--------------|----------------------|-------|--------------|
|--------------|----------------------|-------|--------------|

M 055



M 132



M 133



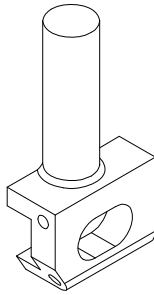
M 134



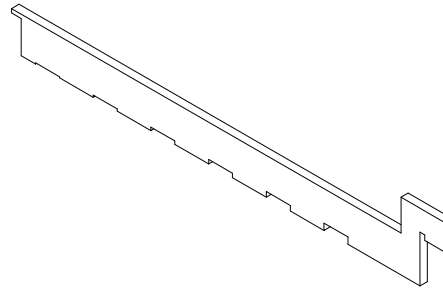
M 303



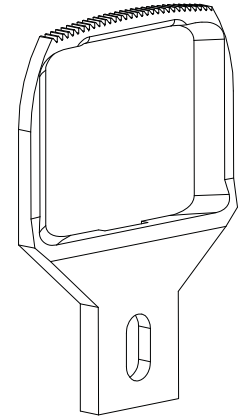
M 194



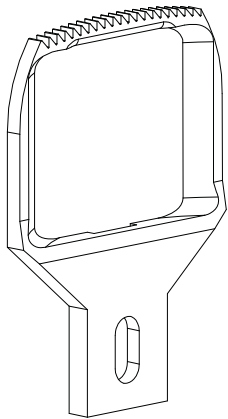
M 242



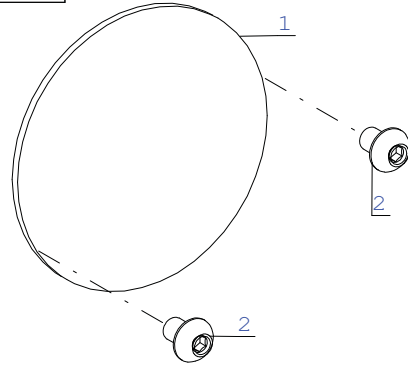
M 261



M 262



M 520



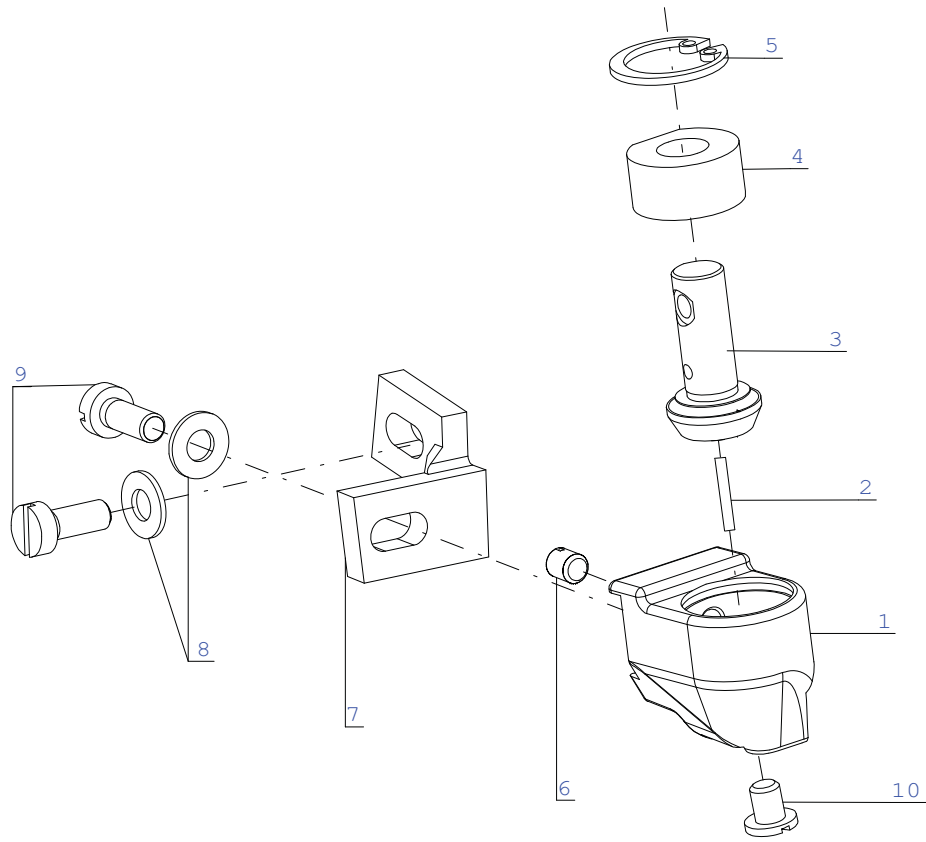
## M 055 M 132 M 133 M 134 M 303 M 194 M 242 M 261 M 262 M520

| Pos.<br>Det. | Dílec č.<br>Part No.    | Název                              | Denomination                       |
|--------------|-------------------------|------------------------------------|------------------------------------|
| M 055        | ..... S980 000055 ..... | PROPOJOVACÍ KABEL .....            | CONNECTING CABLE                   |
| M 132        | ..... S548 000255 ..... | JEHLA 134 KKLR č. 80 .....         | NEEDLE 134 KKLR No. 80             |
| M 133        | ..... S548 000260 ..... | JEHLA 134 KKLR č. 90 .....         | NEEDLE 134 KKLR No. 90             |
| M 134        | ..... S548 000312 ..... | JEHLA 134 KKLR č. 130 .....        | NEEDLE 134 KKLR No. 130            |
| M 303        | ..... S548 000303 ..... | JEHLA 134 KKLR č. 180 .....        | NEEDLE 134 KKLR No. 180            |
| M 194        | ..... S980 000194 ..... | DRŽÁK ZADNÍHO VODIČE .....         | REAR GUIDE HOLDER                  |
| M 242        | ..... S548 000242 ..... | SEŘIZOVACÍ MĚRKA .....             | ADJUSTABLE GAUGE                   |
| M 261        | ..... S980 000261 ..... | PODAVAČ 1 .....                    | FEED DOG 1                         |
| M 262        | ..... S980 000262 ..... | PODAVAČ 1.5 .....                  | FEED DOG 1.5                       |
| M 520        | ..... S980 000520 ..... | DÍLCE PRO STROJ BEZ ODSTŘIHU ..... | PARTS FOR MACHINE WITHOUT TRIMMING |
| 1            | ..... S080 814483 ..... | VÍKO .....                         | COVER                              |
| 2            | ..... S309 738406 ..... | ŠROUB .....                        | SCREW                              |

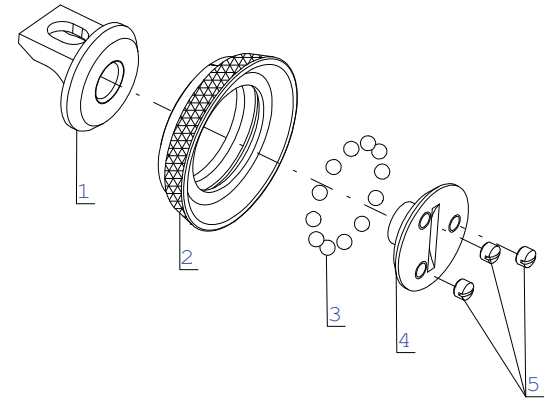
| Pos.<br>Det. | Dílec č.<br>Part No. | Název | Denomination |
|--------------|----------------------|-------|--------------|
|--------------|----------------------|-------|--------------|



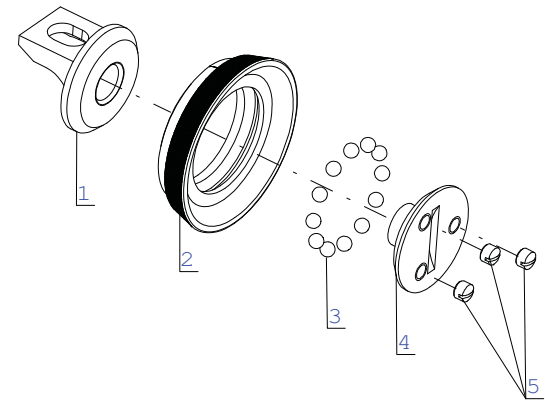
M 156



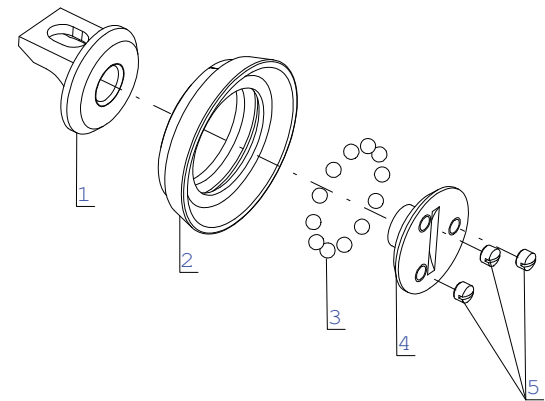
M 172



M 174



M 310

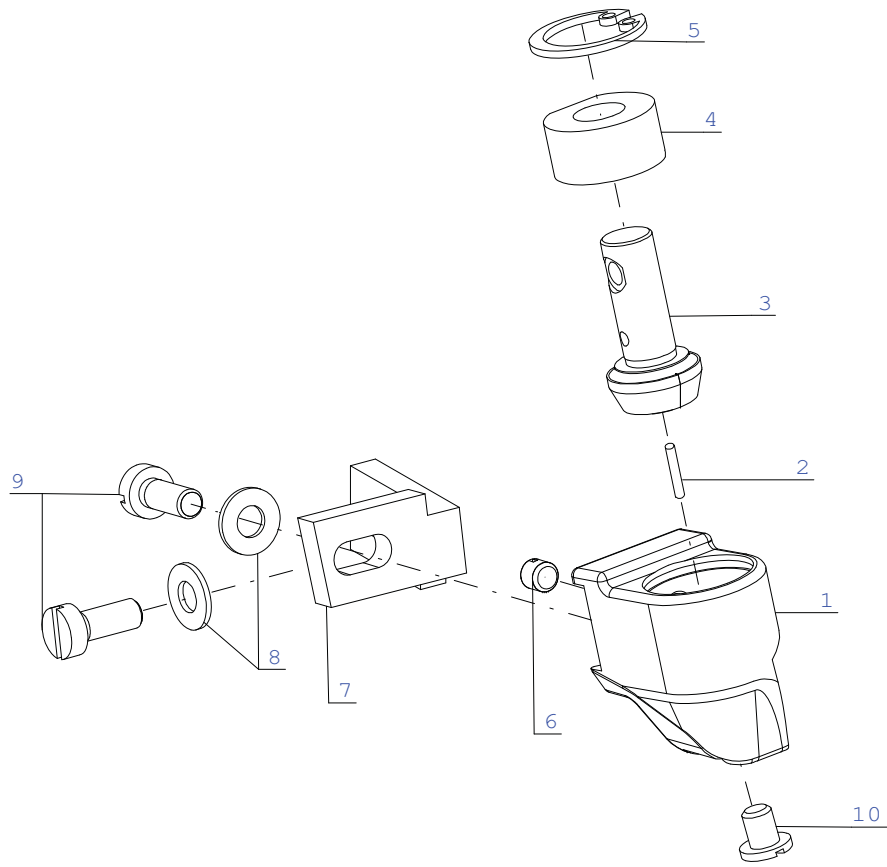


M 156 M 172 M 174 M 310

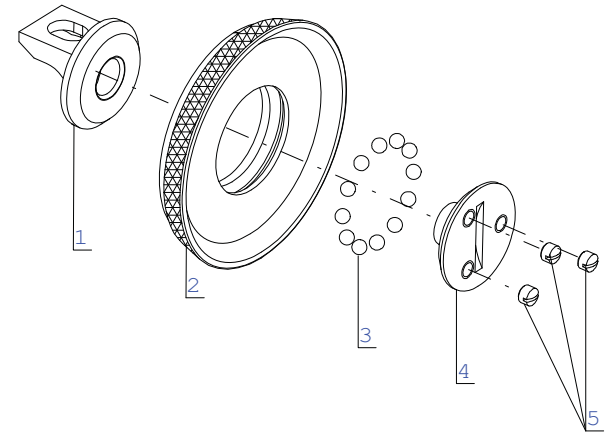
| Pos.<br>Det. | Dílce č.<br>Part No.    | Název                            | Denomination              |
|--------------|-------------------------|----------------------------------|---------------------------|
| M 156        | ..... S980 000156 ..... | DRŽÁK KOLEČKOVÉ PATKY .....      | HOLDER FOR THE TOP ROLLER |
| 1            | ..... S980 000156 ..... | VIZ S980 000156 .....            | VIZ S980 000156           |
| 2            | ..... S980 000156 ..... | VIZ S980 000156 .....            | VIZ S980 000156           |
| 3            | ..... S080 555045 ..... | PASTOREK .....                   | PINION                    |
| 4            | ..... S080 410678 ..... | POUZDRO .....                    | CASE                      |
| 5            | ..... S311 733151 ..... | POJ.KROUŽEK .....                | RETAINING RING            |
| 6            | ..... S080 111212 ..... | ŠROUB .....                      | SCREW                     |
| 7            | ..... S980 000156 ..... | VIZ S980 000156 .....            | VIZ S980 000156           |
| 8            | ..... S080 190353 ..... | PODLOŽKA .....                   | WASHER                    |
| 9            | ..... S080 120226 ..... | ŠROUB .....                      | SCREW                     |
| 10           | ..... S080 132240 ..... | ŠROUB .....                      | SCREW                     |
| M 172        | ..... S980 000172 ..... | KOLEČKOVÁ PATKA .....            | TOP ROLLER                |
| 1            | ..... S080 452051 ..... | DRŽÁK .....                      | HOLDER                    |
| 2            | ..... S080 561058 ..... | KOLEČKO ø 25 mm .....            | TOP ROLLER                |
| 3            | ..... S324 020052 ..... | KULIČKA .....                    | BALL                      |
| 4            | ..... S080 441679 ..... | ŠROUB .....                      | SCREW                     |
| 5            | ..... S080 111303 ..... | ŠROUB .....                      | SCREW                     |
| M 174        | ..... S980 000174 ..... | KOLEČKOVÁ PATKA .....            | TOP ROLLER                |
| 1            | ..... S080 452051 ..... | DRŽÁK .....                      | HOLDER                    |
| 2            | ..... S980 088006 ..... | KOLEČKO POGUMOVANÉ ø 25 mm ..... | TOP ROLLER RUBBER COATED  |
| 3            | ..... S324 020052 ..... | KULIČKA .....                    | BALL                      |
| 4            | ..... S080 441679 ..... | ŠROUB .....                      | SCREW                     |
| 5            | ..... S080 111303 ..... | ŠROUB .....                      | SCREW                     |
| M 310        | ..... S980 000310 ..... | KOLEČKOVÁ PATKA .....            | TOP ROLLER                |
| 1            | ..... S080 452051 ..... | DRŽÁK .....                      | HOLDER                    |
| 2            | ..... S080 561069 ..... | KOLEČKO HLADKÉ ø 25 mm .....     | TOP ROLLER SMOOTH         |
| 3            | ..... S324 020052 ..... | KULIČKA .....                    | BALL                      |
| 4            | ..... S080 441679 ..... | ŠROUB .....                      | SCREW                     |
| 5            | ..... S080 111303 ..... | ŠROUB .....                      | SCREW                     |

| Pos.<br>Det. | Dílce č.<br>Part No. | Název | Denomination |
|--------------|----------------------|-------|--------------|
|              |                      |       |              |

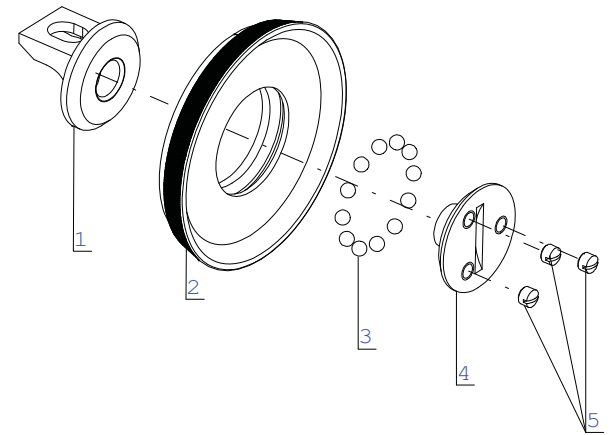
M 157



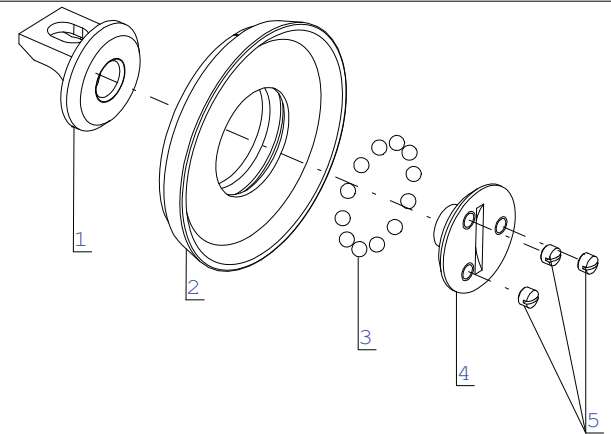
M 173



M 175



M 311

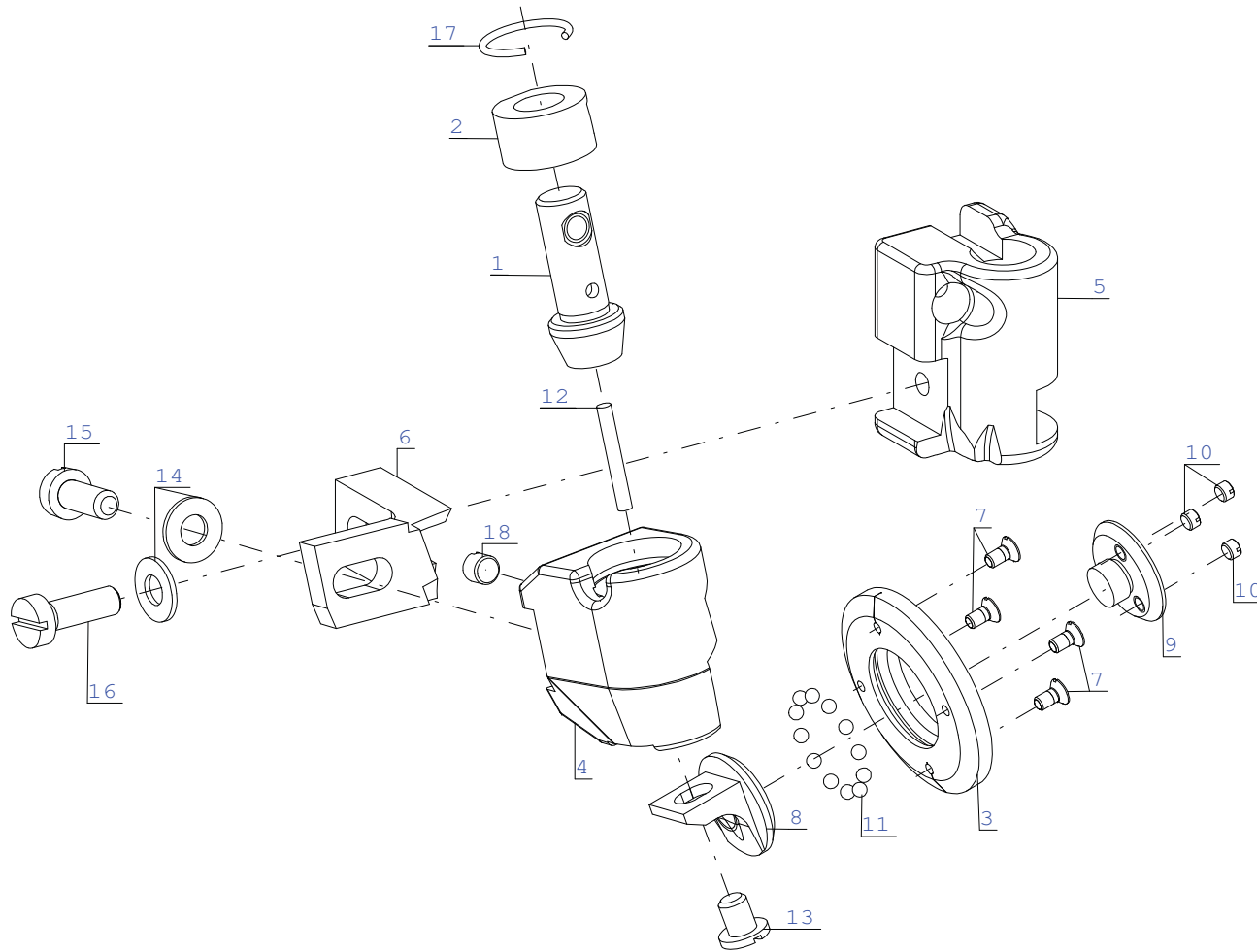


## M 157 M 173 M 175 M 311

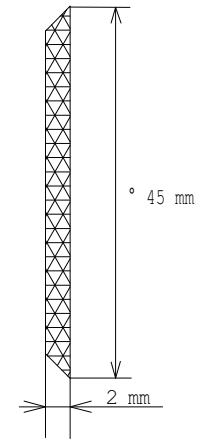
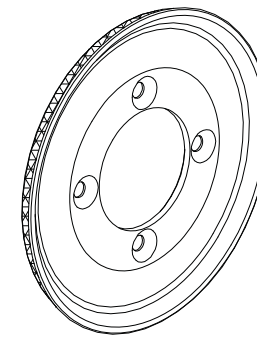
| Pos.<br>Det. | Dílec č.<br>Part No. | Název                      | Denomination              |
|--------------|----------------------|----------------------------|---------------------------|
| M 157        |                      |                            |                           |
| .....        | S980 000157          | DRŽÁK KOLEČKOVÉ PATKY      | HOLDER FOR THE TOP ROLLER |
| 1            | .....                | VIZ S980 000157            | VIZ S980 000157           |
| 2            | .....                | VIZ S980 000157            | VIZ S980 000157           |
| 3            | S080 555046          | PASTOREK                   | PINION                    |
| 4            | S080 410678          | POUZDRO                    | CASE                      |
| 5            | S311 733151          | POJ.KROUŽEK                | RETAINING RING            |
| 6            | S080 111212          | ŠROUB                      | SCREW                     |
| 7            | .....                | VIZ S980 000157            | VIZ S980 000157           |
| 8            | S080 190353          | PODLOŽKA                   | WASHER                    |
| 9            | S080 120226          | ŠROUB                      | SCREW                     |
| 10           | S080 132240          | ŠROUB                      | SCREW                     |
| M 173        |                      |                            |                           |
| .....        | S980 000173          | KOLEČKOVÁ PATKA            | TOP ROLLER                |
| 1            | S080 452051          | DRŽÁK                      | HOLDER                    |
| 2            | S080 561059          | KOLEČKO ø 35 mm            | TOP ROLLER                |
| 3            | S324 020052          | KULIČKA                    | BALL                      |
| 4            | S080 441679          | ŠROUB                      | SCREW                     |
| 5            | S080 111303          | ŠROUB                      | SCREW                     |
| M 175        |                      |                            |                           |
| .....        | S980 000175          | KOLEČKOVÁ PATKA            | TOP ROLLER                |
| 1            | S080 452051          | DRŽÁK                      | HOLDER                    |
| 2            | S980 088007          | KOLEČKO POGUMOVANÉ ø 35 mm | TOP ROLLER RUBBER COATED  |
| 3            | S324 020052          | KULIČKA                    | BALL                      |
| 4            | S080 441679          | ŠROUB                      | SCREW                     |
| 5            | S080 111303          | ŠROUB                      | SCREW                     |
| M 311        |                      |                            |                           |
| .....        | S980 000311          | KOLEČKOVÁ PATKA            | TOP ROLLER                |
| 1            | S080 452051          | DRŽÁK                      | HOLDER                    |
| 2            | S080 561070          | KOLEČKO HLADKÉ ø 35 mm     | TOP ROLLER SMOOTH         |
| 3            | S324 020052          | KULIČKA                    | BALL                      |
| 4            | S080 441679          | ŠROUB                      | SCREW                     |
| 5            | S080 111303          | ŠROUB                      | SCREW                     |

| Pos.<br>Det. | Dílec č.<br>Part No. | Název | Denomination |
|--------------|----------------------|-------|--------------|
|              |                      |       |              |

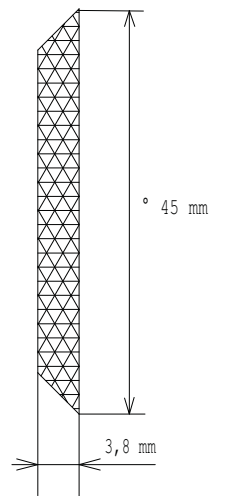
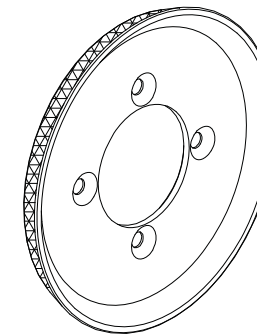
M 295



M 296



M 297



## M 295 M 296 M 297

| Pos.<br>Det. | Dílec č.<br>Part No. | Název                 | Denomination              |
|--------------|----------------------|-----------------------|---------------------------|
| M 295        |                      |                       |                           |
| .....        | S980 000295          | DRŽÁK KOLEČKOVÉ PATKY | HOLDER FOR THE TOP ROLLER |
| 1 .....      | S080 555048          | PASTOREK              | PINION                    |
| 2 .....      | S080 410693          | POUZDRO               | CASE                      |
| 3 .....      | S080 561064          | OZUBENÉ KOLO          | TOOTHED WHEEL             |
| 4 .....      | VIZ S980 000295      | VIZ S980 000295       | VIZ S980 000295           |
| 5 .....      | S080 646494          | OBJÍMKA DRŽÁKU        | SLEEVE OF HOLDER          |
| 6 .....      | VIZ S980 000295      | VIZ S980 000295       | VIZ S980 000295           |
| 7 .....      | S080 126189          | ŠROUB                 | SCREW                     |
| 8 .....      | S080 452051          | DRŽÁK                 | HOLDER                    |
| 9 .....      | S080 441679          | ŠROUB                 | SCREW                     |
| 10 .....     | S080 111303          | ŠROUB                 | SCREW                     |
| 11 .....     | S324 020052          | KULIČKA               | BALL                      |
| 12 .....     | VIZ S980 000295      | VIZ S980 000295       | VIZ S980 000295           |
| 13 .....     | S080 132240          | ŠROUB                 | SCREW                     |
| 14 .....     | S080 190353          | PODLOŽKA              | WASHER                    |
| 15 .....     | S080 120226          | ŠROUB                 | SCREW                     |
| 16 .....     | S080 120227          | ŠROUB                 | SCREW                     |
| 17 .....     | S311 732014          | POJ.KROUŽEK.          | RETAINING RING            |
| 18 .....     | S080 111212          | ŠROUB                 | SCREW                     |
| M 296        |                      |                       |                           |
| .....        | S980 000296          | KOLEČKO ø 45 mm       | WHEEL ø 45 mm             |
| M 297        |                      |                       |                           |
| .....        | S980 000297          | KOLEČKO ø 45 mm       | WHEEL ø 45 mm             |

| Pos.<br>Det. | Dílec č.<br>Part No. | Název | Denomination |
|--------------|----------------------|-------|--------------|
|              |                      |       |              |