

SINGER

770D1,D3,D41,D43

771D1,D3,D41,D43

Parts List

SINGER
INDUSTRIAL PRODUCTS

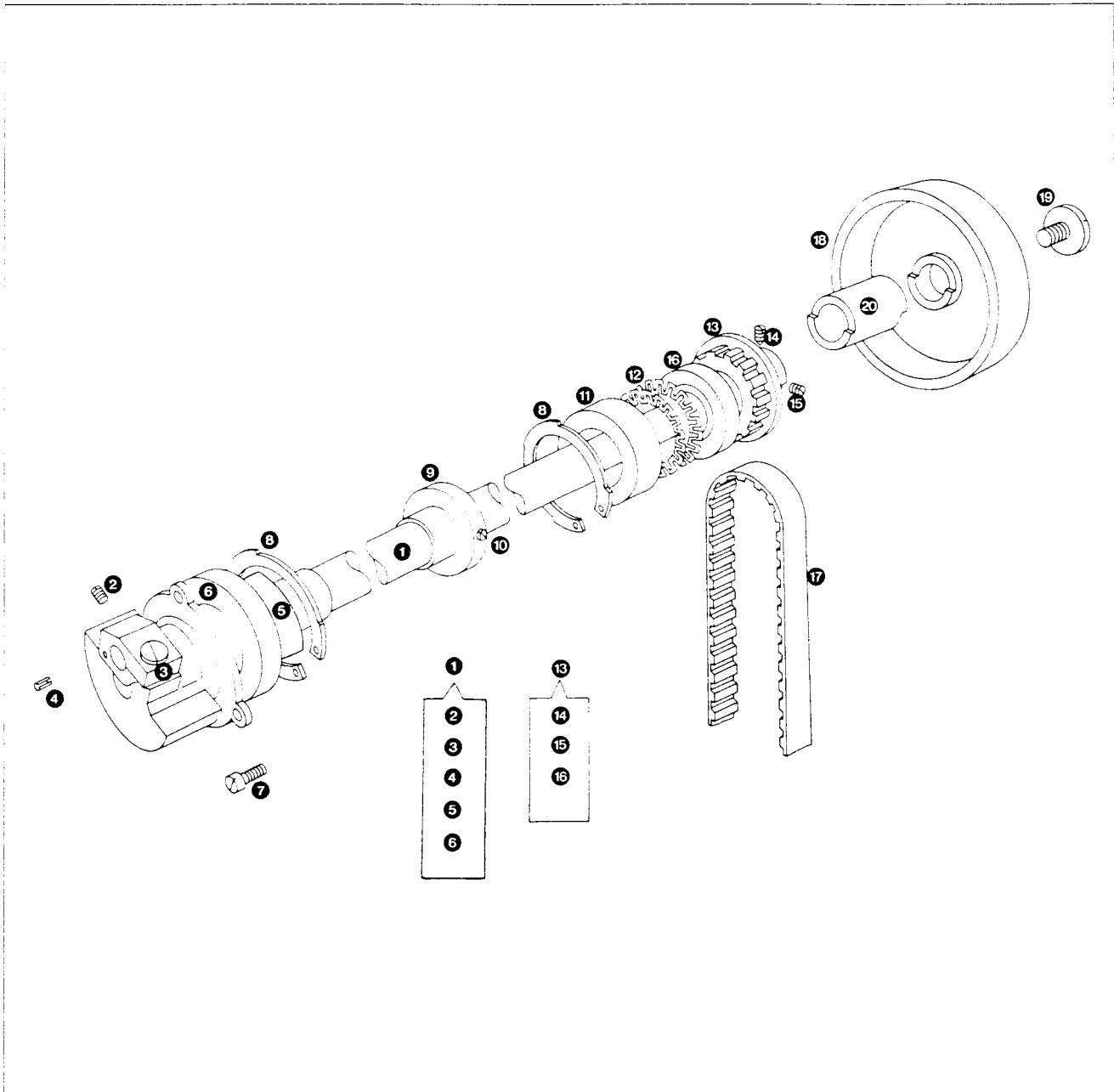
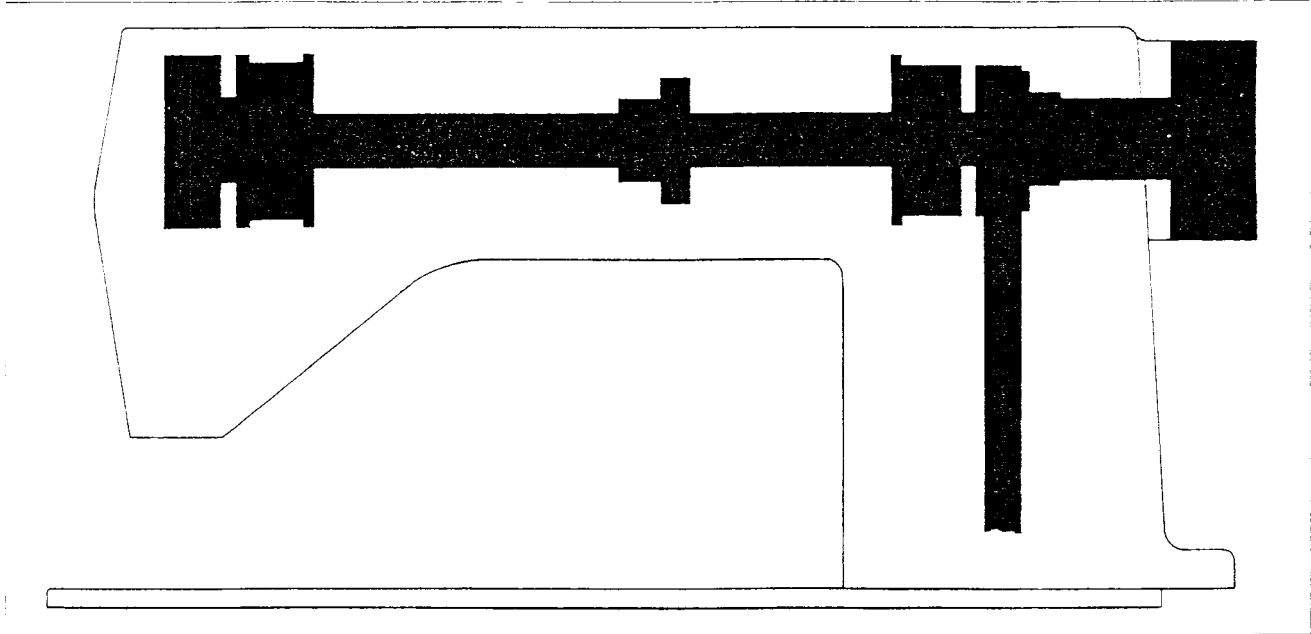
Parts List

770
771
D1
D3
D1
D3

Parts List for Machine Class 770D1/D41, 771D1/D41

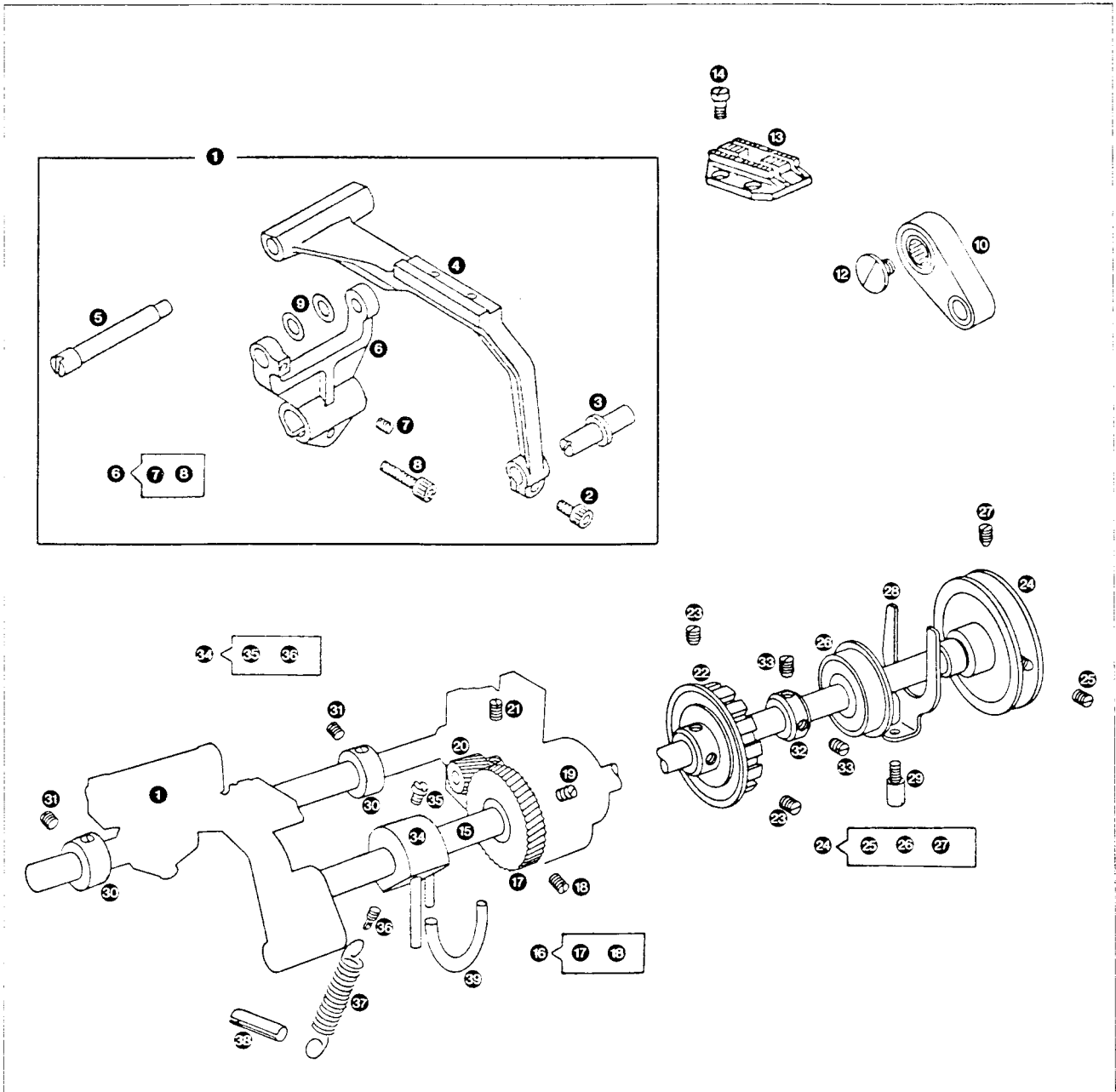
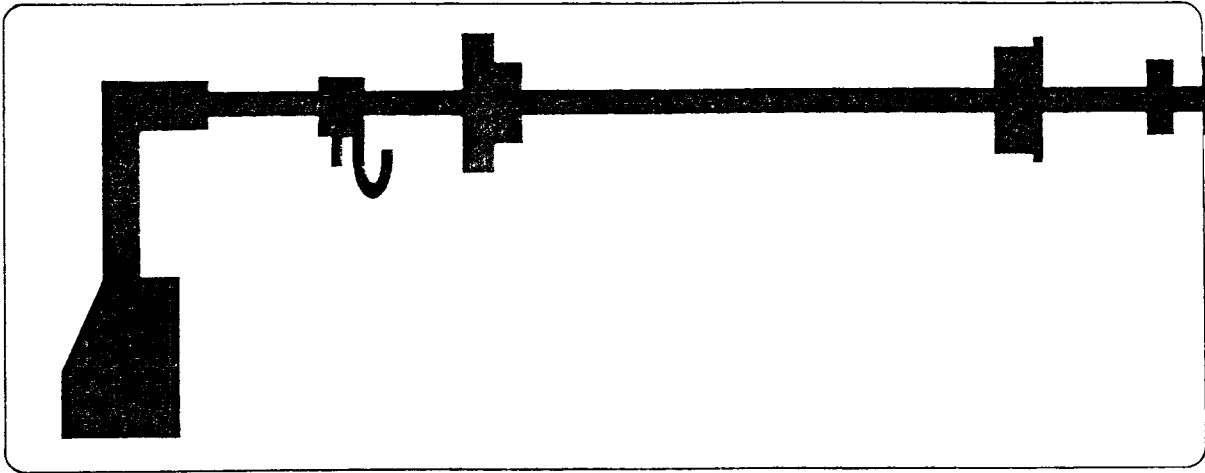
Ref. No.	Part No. For Ordering	Description	Amt. Req.
1	513206	Arm Shaft with 140702, 500436, 512032, 512116 and 512637	
2	140702-833	Thread Take-up Crank Set Screw	
3	500436-850	Thread Take-up Crank Clamping Screw	
4	512032	Thread Take-up Crank Spacer Position Pin	
5	512116	Thread Take-up Crank Grooved Ball Bearing	
6	512637	Arm Shaft Ball Bearing Jacket	
7	704-850	Arm Shaft Ball Bearing Retainer Screw	3
8	512639	Arm Shaft Ball Bearing Retaining Ring	2
9	512739	Bobbin Winder Drive Wheel with two 500315	
10	500315-833	Bobbin Winder Drive Wheel Set Screw	2
11	512638	Arm Shaft Bearing (rear) Silencer	
12	512640	Arm Shaft Ball Bearing (rear) Belleville Spring	2
13	512641	Arm Shaft Connecting Belt Pulley cap. Nos. 443, 500246 and 512033	
14	443-833	Arm Shaft Connection Belt Pulley Set Screw	
15	500426-833	Arm Shaft Connection Belt Pulley Position Screw	
16	512033	Arm Shaft Ball Bearing (rear)	
17	512644	Arm Shaft Connection Belt	
18	513253	Hand Wheel	
19	511531-880	Hand Wheel Securing Screw	
20	512834	Hand Wheel Spacer	

520570 513300



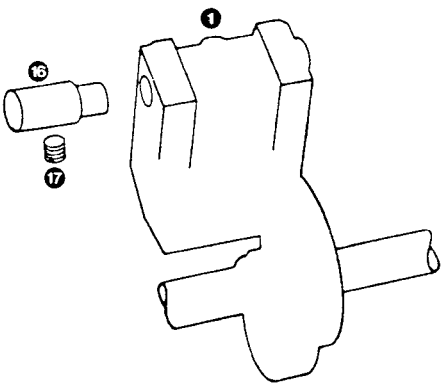
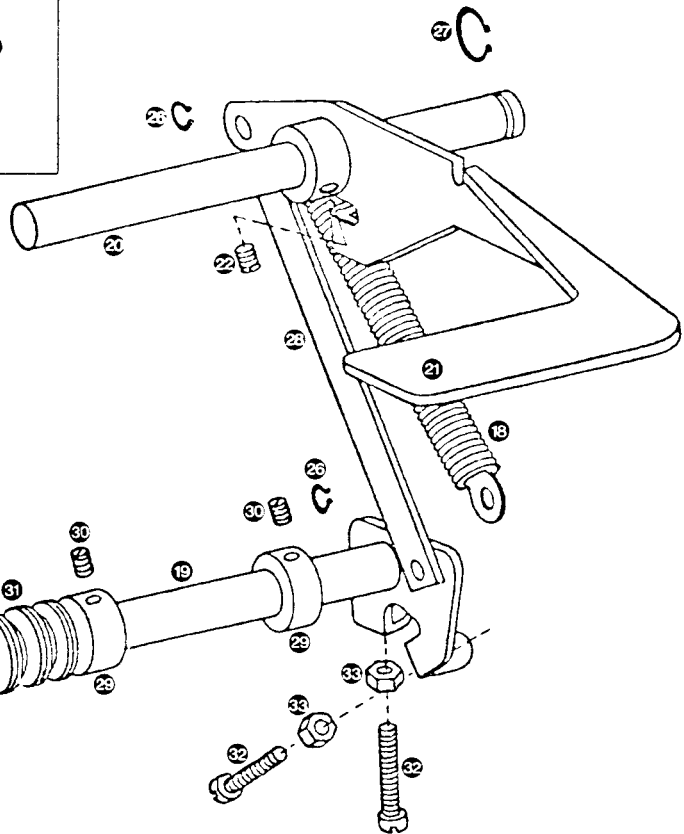
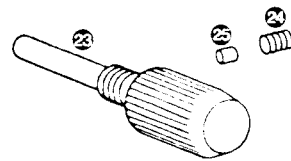
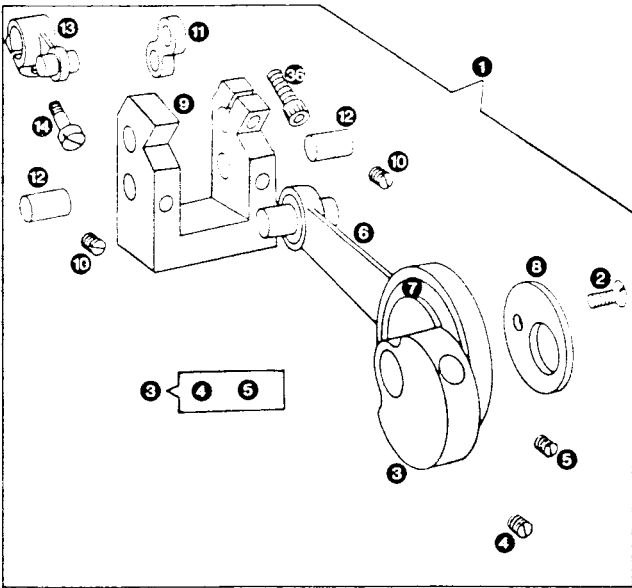
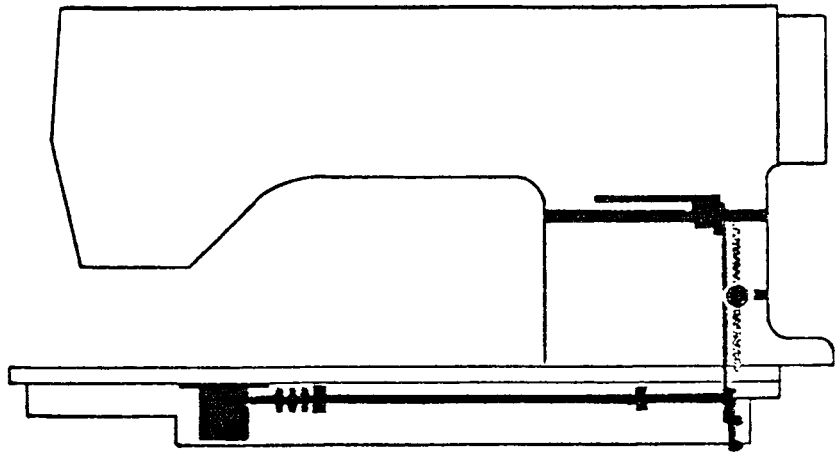
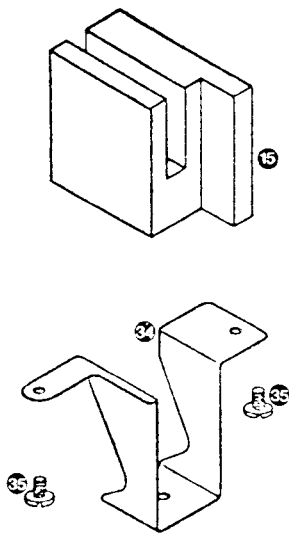
Parts List for Machine Class 770 D1/D3 771 D1, D3

Ref. No.	Part No. For Ordering	Description	Amt Req.
1	513232	Feed Driving Rock Shaft Crank with Feed Bar cpl. Nos. 512768, 512769 and two 512770	
2	350606	Screw Socket Head	
3	513180	Feed Bar Lifting Link Hinge Pin	
4	513179	Feed Bar	
5	512768	Feed Bar Hinge Pin	
6	512769	Feed Driving Rock Shaft Crank with 624 and 350719	
7	624-833	Feed Bar Hinge Pin Set Screw	
8	350719-869	Feed Driving Rock Shaft Crank Pinch Screw	
9	512770	Feed Bar Spacer	2
10	512764	Feed Bar Lifting Link with 512685	
11	512685	Feed Bar Lifting Link Needle Bearing	
12	500401-850	Feed Bar Lifting Link Screw	
13	52031	Feed Dog	
14	50117-833	Feed Dog Screw	2
15	512677	Bed Shaft	
16	512726	Pinion (pair) cpl. Nos. 512679, 500426, 512725 and 448-833	2
17	512679	Bed Shaft Gear with 448 and 500426	
18	448-833	Hook Driving Gear Set Screw	
19	500426-833	Bed Shaft Gear Set Screw	
20	512725	Hook Driving Gear with two 448	
21	448-833	Hook Driving Gear Set Screw	2
22	512647	Bed Shaft Connection Belt Pulley with two 448	
23	448-833	Bed Shaft Connection Belt Pulley Set Screw	2
24	512910	Machine Drive Pulley with 443, 244713 and 500426	
25	443-833	Machine Drive Pulley Set Screw	
26	244713	Bed Shaft Bail Bearing	
27	500426-833	Machine Drive Pulley Position Screw	
28	512914	Bed Shaft Bail Bearing Retainer	
29	500439-850	Bed Shaft Bail Bearing Retainer Screw	
30	513173	Feed Driving Rock Shaft Collar with two 453	2
31	453-833	Feed Driving Rock Shaft Collar Set Screw	4
32	513173	Bed Shaft Collar with two 453	
33	453-833	Bed Shaft Collar Set Screw	
34	513236	Bed Shaft Oil Bushing cpl. with 513246 and 236-833	
35	236-833	Bed Shaft Oil Bushing Sealing Screw	
36	513246	Bed Shaft Oil Bushing Set Screw	
37	513238	Bed Shaft Oil Bushing Positioning Spring	
38	512029	Bed Shaft Oil Bushing Positioning Spring Clamping Sleeve	
39	513237	Lubricating Connection Tube	



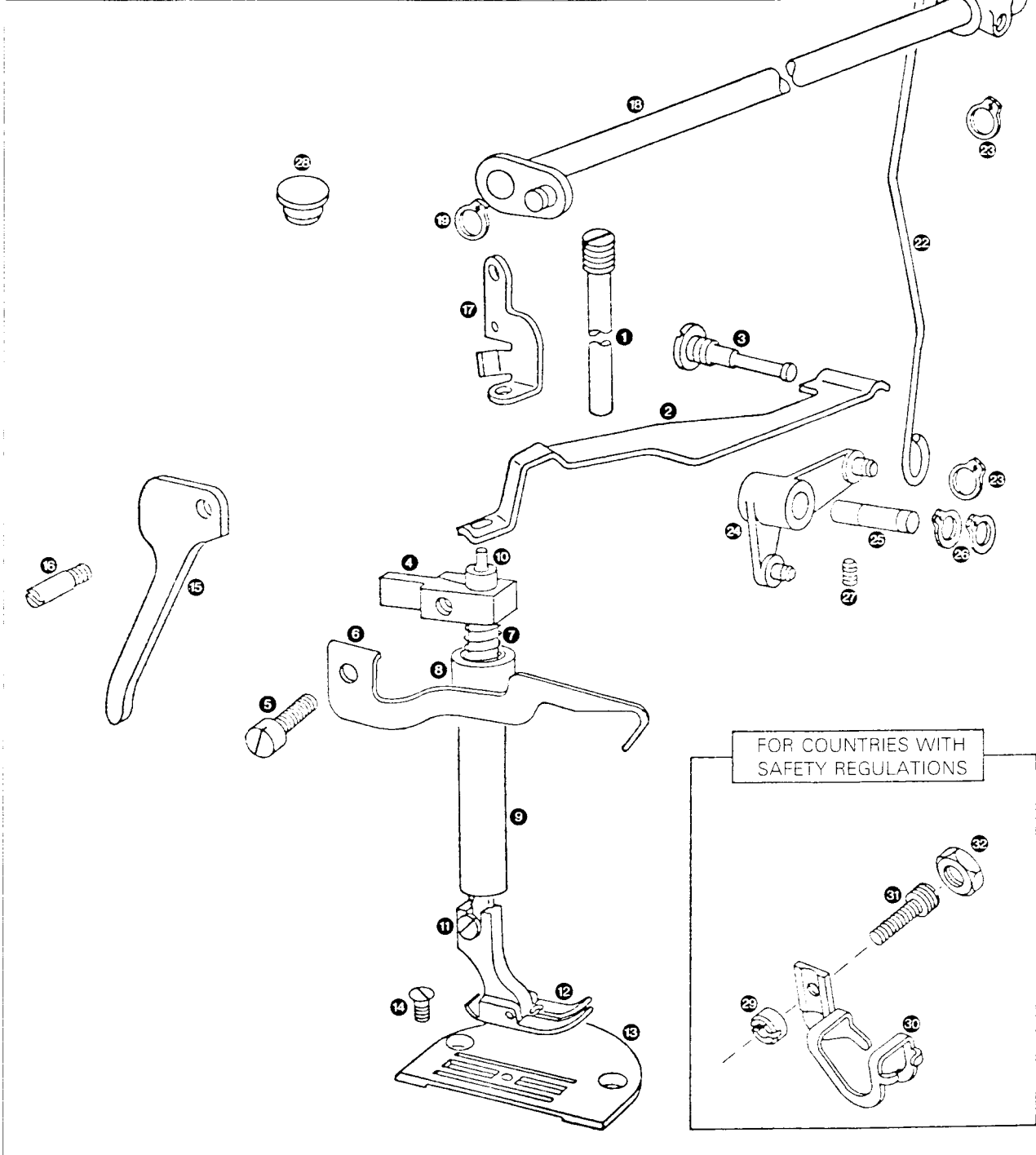
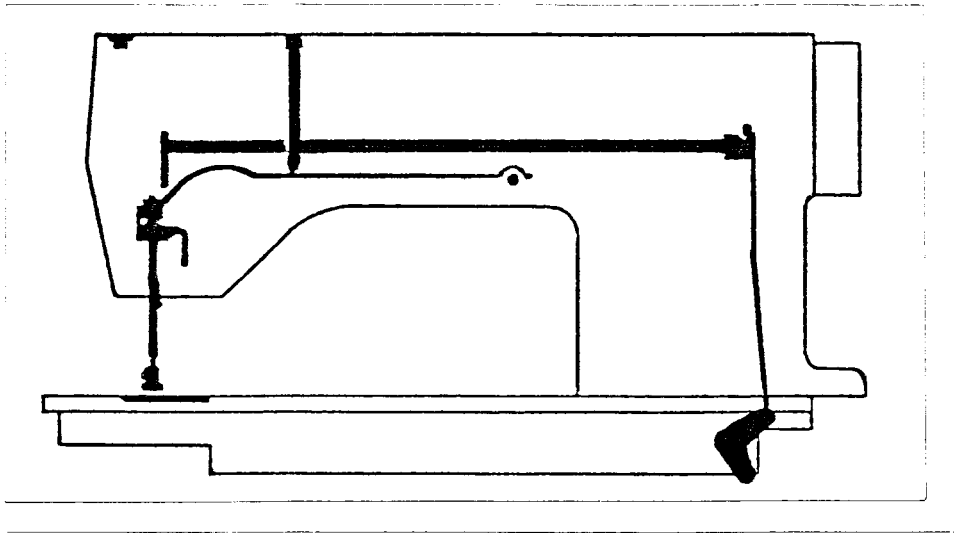
Parts List for Machine Class 770 D1/D3 771 D1/D3

Ref. No.	Part No. For Ordering	Description	Amt. Req.
1	513185	Feed Driving Rock Shaft Mechanism cpl. Nos. 500431, 512625, 512626, 512627, 512634, four 512631 and two 512632	
2	500431-850	Feed Driving Rock Shaft Eccentric Retaining Disc Screw	
3	512625	Feed Driving Rock Shaft Eccentric 448 and 500426	
4	448-833	Feed Driving Rock Shaft Eccentric Position Screw	
5	500426-833	Feed Driving Rock Shaft Eccentric Set Screw	
6	513188	Feed Driving Rock Shaft Connection Rod with 512027	
7	512027	Feed Driving Rock Shaft Connection Rod Radial Ball Bearing	
8	512627	Feed Driving Rock Shaft Eccentric Retaining Disc	
9	513187	Feed Driving Rock Shaft Frame with two 433 and 350719-869	
10	443-833	Feed Driving Rock Shaft Link Hinge Pin Set Screw	2
11	512631	Feed Driving Rock Shaft Link (available only in matched sets of four 4)	
12	512632	Feed Driving Rock Shaft Link Hinge Pin	2
13	513190-850	Feed Driving Rock Shaft Crank with 500440	
14	500440	Feed Driving Rock Shaft Crank Pinch Screw	
15	513196	Feed Driving Rock Shaft Mechanism Oil Pad	
16	513186	Feed Driving Rock Shaft Frame Hinge Stud (left)	
17	1036-830	Feed Driving Rock Shaft Frame Hinge Stud Set Screw (left and right)	2
18	513234	Feed Regulating Connection Shaft Return Spring	
19	513235	Feed Regulating Connection Shaft with 500367 and 1521	
20	513192	Feed Regulating Shaft	
21	513233	Feed Regulating Lever with 500438	
22	500438-833	Feed Regulating Lever Pinch Screw	
23	500504-853	Feed Regulating Screw	
24	500438-833	Feed Regulating Screw Packing Screw	
25	512671	Feed Regulating Screw Packing	
26	502802	Feed Regulating Link Retaining Ring	2
27	502634	Feed Regulating Shaft Retaining Ring	
28	513199	Feed Regulating Link	
29	265684	Adjusting Collar with 200382	
30	200382	Adjusting Collar Set Screw	2
31	512119	Cup Spring	6
32	500367-850	Feed Regulating Stop Screw	2
33	1521-850	Feed Regulating Stop Screw Nut	2
34	513204	Bracket	
35	500300-850	Bracket Screw	2
36	350719-869	Bracket Screw	



Parts List for Machine Class 770 D1/D3, 771 D1,D3

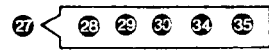
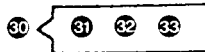
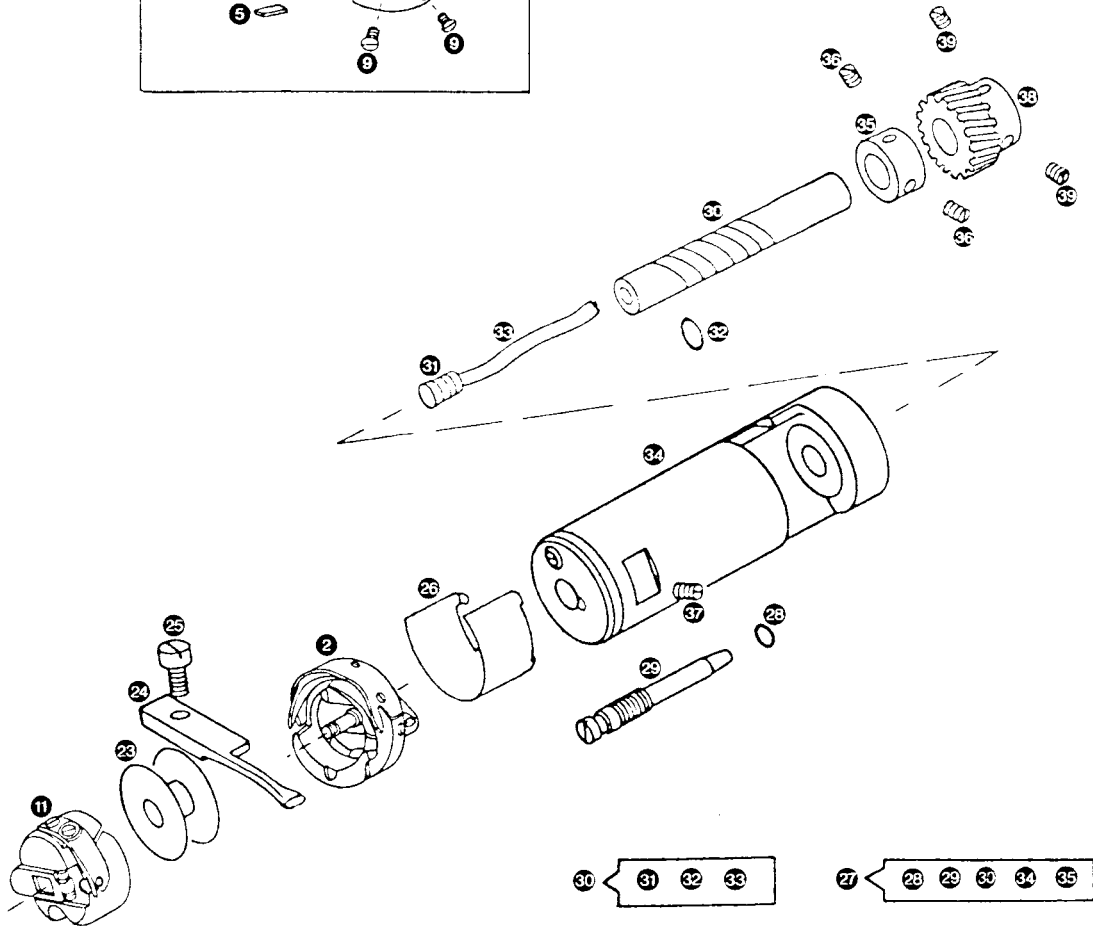
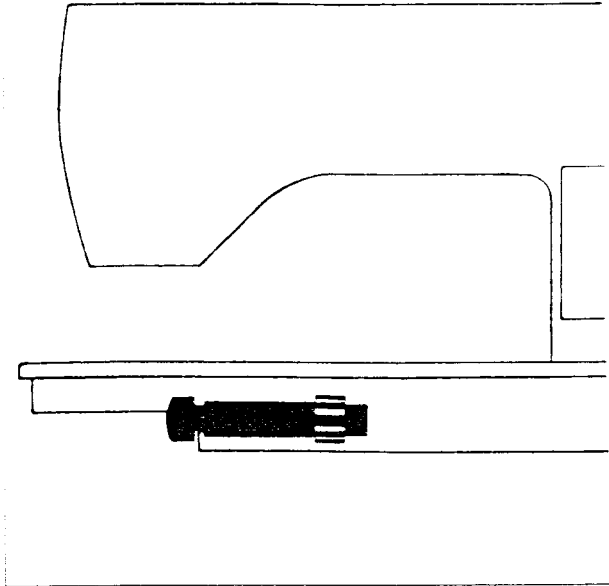
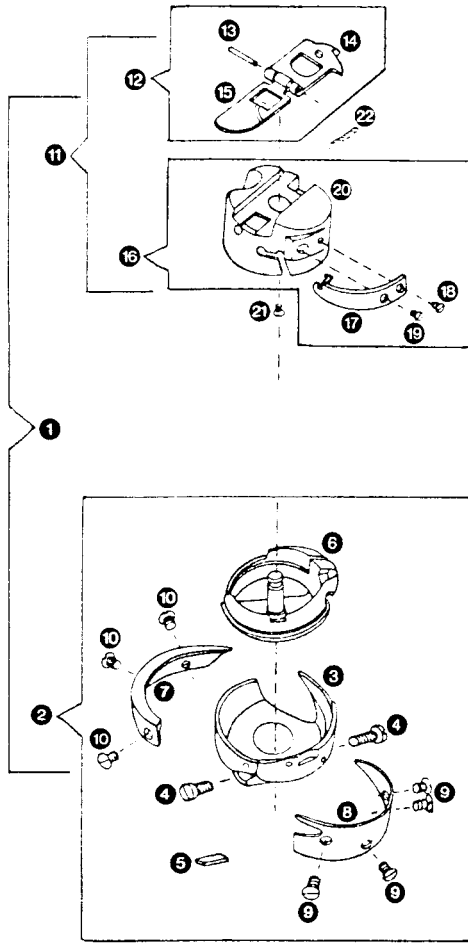
Ref. No.	Part No. For Ordering	Description	Amt. Req.
1	500455-821	Presser Bar Spring Regulating Screw	
2	513062	Presser Bar Spring	
3	500456-821	Presser Bar Spring Support Screw	
4	513193	Presser Bar Guide with 136	
5	136-850	Presser Bar Guide Pinch Screw	
6	513114	Presser Bar Thread Regulator	
7	512651	Presser Bar Lifting Element Spacer Spring	
8	513198	Presser Bar Bushing	
9	512648	Presser Bar Bushing	
10	512649	Presser Bar	
11	190-850	Presser Foot Screw (For Countries without Safety Regulations)	
12	517504	Presser Foot	
13	52033	Throat Plate	
14	691-833	Throat Plate Screw	2
15	276027	Presser Lifting Lever	
16	500506-850	Presser Lifting Stud	
17	513239	Knee Lifter Lifting Link	
18	512658	Knee Lifter Rock Shaft	
19	502802	Knee Lifter Rock Shaft Retaining Ring	
20	512775	Knee Lifter Rock Shaft Crank with 1149	
21	1149-850	Knee Lifter Rock Shaft Crank Pinch Screw	
22	513205	Knee Lifter Connecting Rod	
23	502802	Knee Lifter Connecting Rod Retaining Ring	2
24	512777	Knee Lifter Connection Crank	
25	512779	Knee Lifter Connection Crank Hinge Pin	
26	502958	Knee Lifter Connection Crank Retaining Ring	2
27	448-833	Knee Lifter Connection Crank Hinge Pin Set Screw	
28	513079	Machine Arm Plug	
* Countries with Safety Regulations			
29	500803-833	Finger Guard Nut	
30	503932	Finger Guard	
31	500425-833	Finger Guard Clamping Screw	
32	1664-850	Finger Guard Clamping Screw Nut	



FOR COUNTRIES WITH
SAFETY REGULATIONS

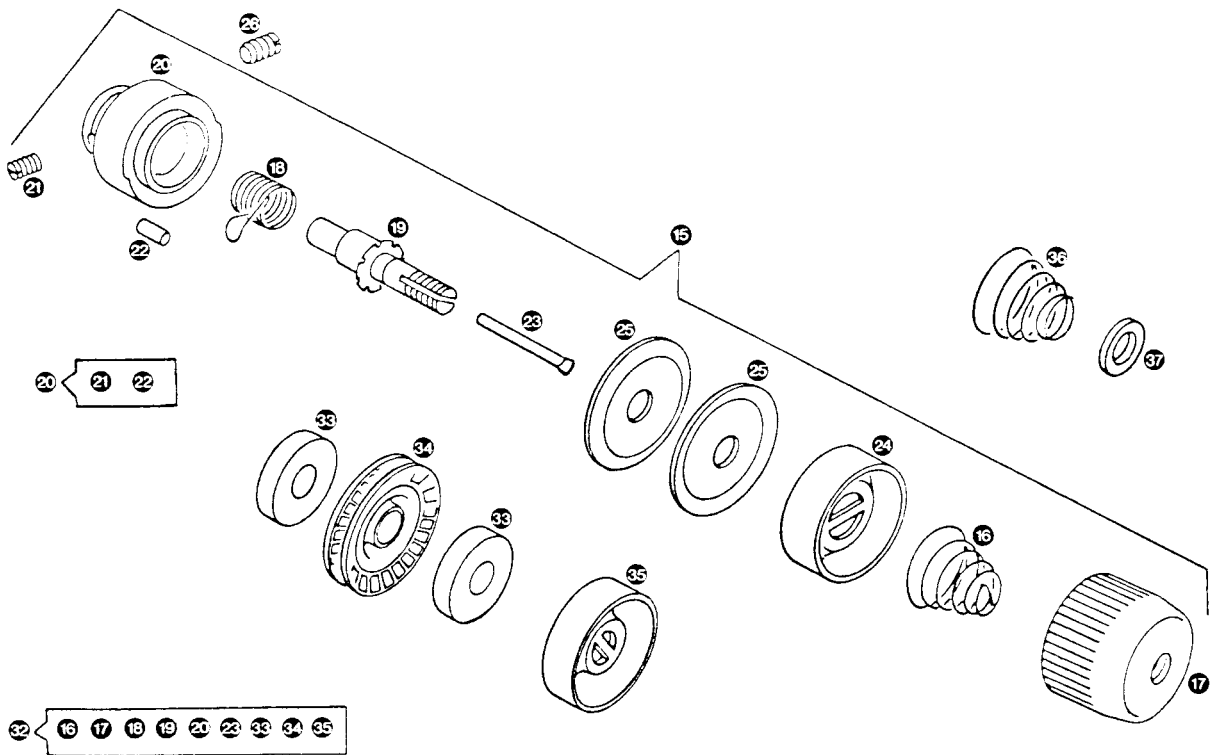
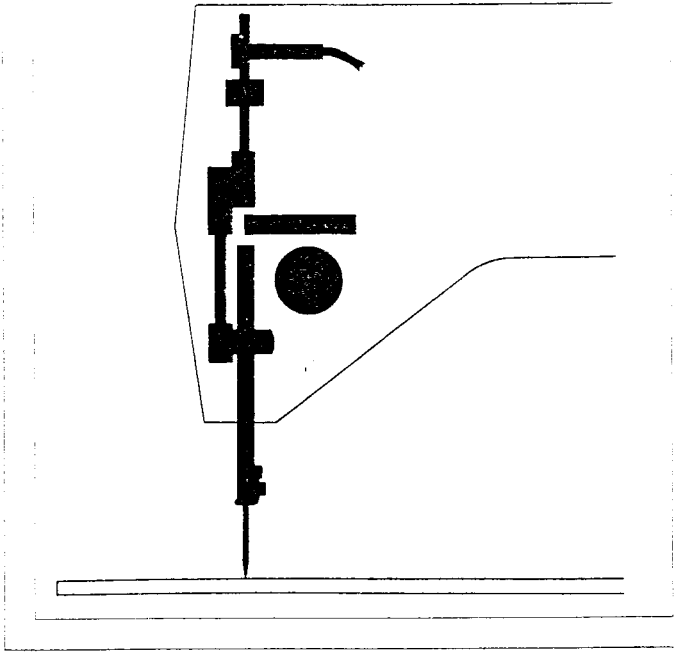
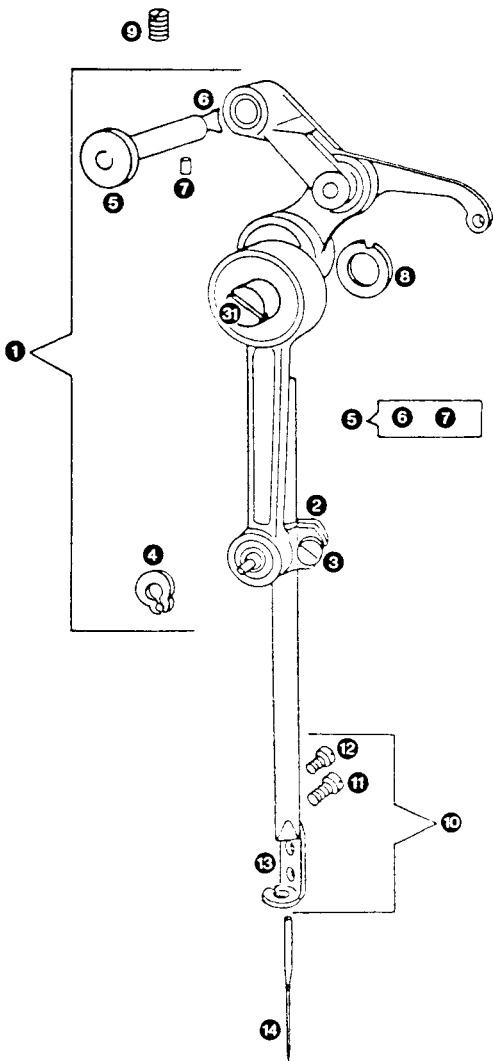
Parts List for Machine Class 770 D1/D3, 771 D1/D3

Ref. No.	Part No. For Ordering	Description	Amt. Req.
1	115329	Rotating Hook and Bobbin Case cpl. Nos. 115377 and 149063	
1a	545643	Rotating Hook and Bobbin Case cpl. (New design)	
2	115377	Rotating Hook cpl. Nos. 115375, 143351, 149064, 149065, 149066. four 1053-805, two 1253-830 and three 1367-805	
3	115375	Rotating Hook with 1253-830	
4	1253-830	Rotating Hook Set Screw	2
5	143351	Rotating Hook Wiper	
6	149064	Rotating Hook Bobbin Case Holder	
7	149065	Rotating Hook Section	
8	149066	Rotating Hook Thread Guard	
9	1053-805	Rotating Hook Thread Guard Screw	4
10	1367-805	Rotating Hook Section Screw	3
11	149063	Rotating Hook Bobbin Case cpl. Nos. 40393, 149061, 592-805 and 2975	
12	40393	Rotating Hook Bobbin Case Hinge cpl. Nos. 2974, 40392 and 125320	
13	2974	Rotating Hook Bobbin Case Latch Lever Fulcrum Pin	
14	40392	Rotating Hook Bobbin Case Latch	
15	125320	Rotating Hook Bobbin Case Latch Lever	
16	149061	Rotating Hook Bobbin Case cpl. Nos. 149060, 40394, 1380 and 591-806	
17	40394	Rotating Hook Bobbin Case Tension Spring	
18	1380-805	Rotating Hook Bobbin Case Tension Spring Screw	
19	591-806	Rotating Hook Bobbin Case Tension Spring Regulating Screw	
20	149060	Rotating Hook Bobbin Case	
21	592-805	Rotating Hook Bobbin Case Latch Stop Screw	
22	2975	Rotating Hook Bobbin Case Latch Spring	
23	272152	Rotating Hook Bobbin	
24	513304	Rotating Hook Bobbin Case Holder Bracket	
25	161-850	Rotating Hook Bobbin Case Holder Bracket Screw	
26	512800	Rotating Hook Oil Guard	
27	513293	Rotating Hook Shaft Bushing cpl. Nos. 271808, 500402, 513291, 513290, 512724 and 512725	
28	271808	Rotating Hook Shaft Oil Regulating Screw Ring	
29	500402-850	Rotating Hook Shaft Oil Regulating Screw	
30	513291	Rotating Hook Shaft cpl. Nos. 143349, 271808 and 513292	
31	143349-001	Rotating Hook Shaft Oil Filter Screw	
32	271808	Rotating Hook Shaft Oil Filter Screw Ring	
33	513292	Rotating Hook Shaft Oil Filter Wick	
34	513290	Rotating Hook Shaft Bushing	
35	512724	Rotating Hook Shaft Collar with two 453	
36	453-833	Rotating Hook Shaft Collar Screw	2
37	448-833	Rotating Hook Shift Bushing Set Screw	
38	512725	Pinion cpl. with 512679 and two 448 (see 512726, page 136)	
39	448-883	Pinion Set Screw	2



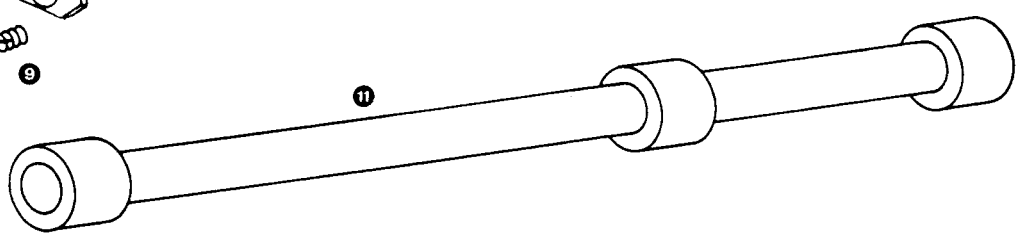
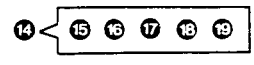
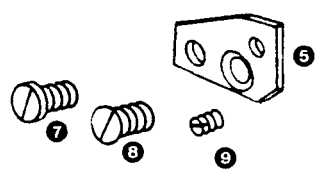
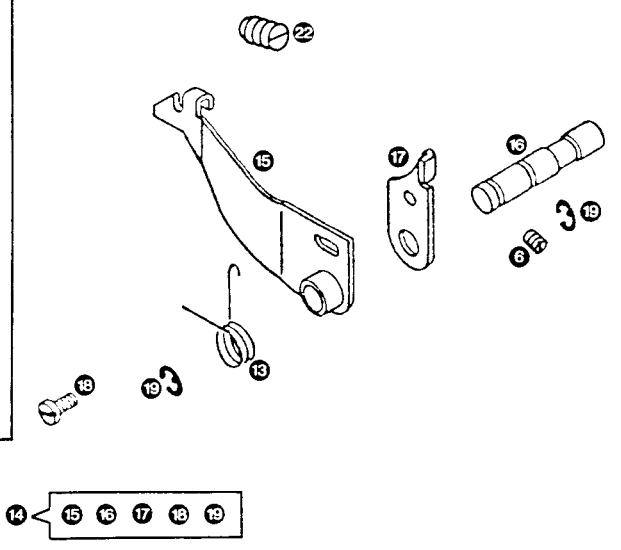
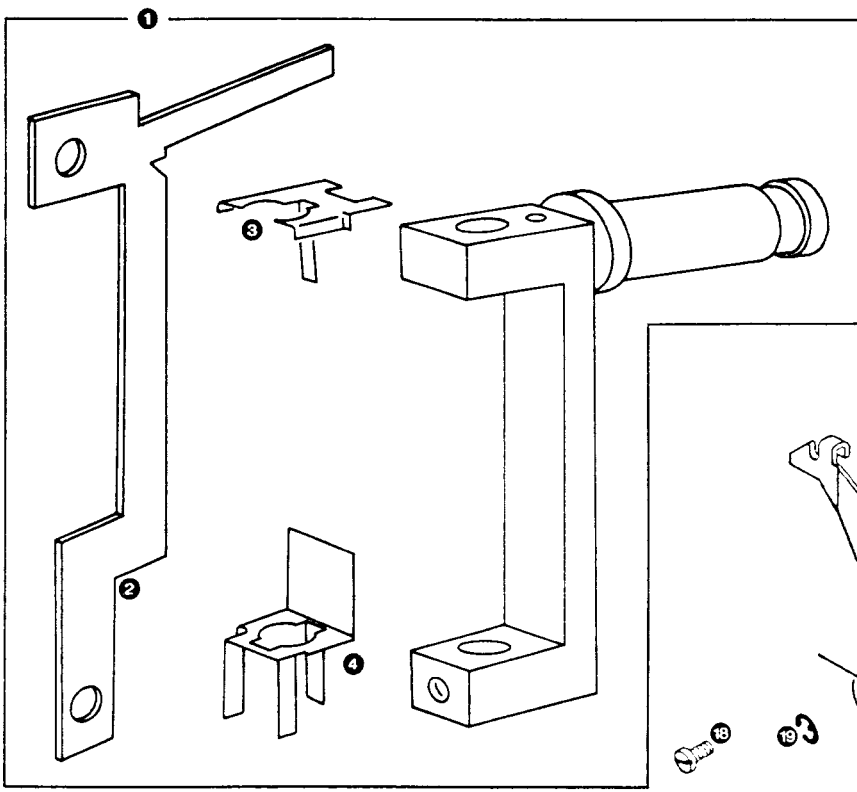
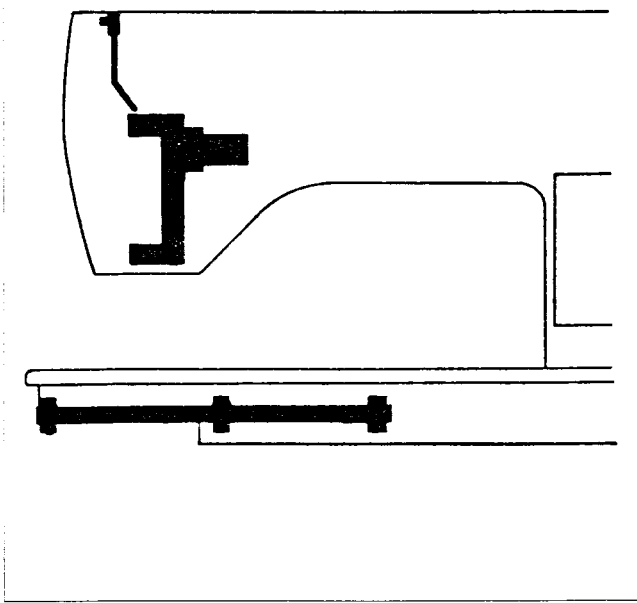
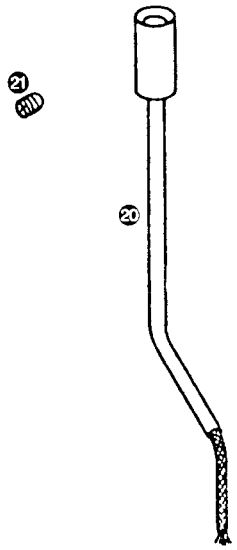
Parts List for Machine Class 770 D1/D3, 771 D1/D3

Ref. No.	Part No. For Ordering	Description	Amt. Req.
1	513181	Thread Take-up Mechanism (D 1)	
		Note: The major components of the Thread Take-up Mechanism are selectively mated. Therefore only a complete replacement will be supplied from Blankenloch Factory, should any of the individual major components be damaged. However, the Needle Bar Connecting Stud 513078, Pinch Screw 500251, Retaining Ring 512750, Hinge Stud 512751 and Thrust Washer 512754 can be supplied and fitted as individual items without disturbing the selective mating of the major components.	
2	513078	Needle Bar Connecting Stud with 500251	
3	500251-850	Needle Bar Connecting Stud Pinch Screw	
4	512750	Needle Bar Connecting Stud Retaining Ring	
5	512751	Thread Take-up Lever Hinge Stud with 512752 and 512753	
6	512752	Thread Take-up Lever Link Hinge Stud Oil Wick	
7	512753	Thread Take-up Lever Link Hinge Stud Oil Felt	4
8	512754	Thread Take-up Thrust Washer	
9	500296-833	Thread Take-up Lever Link Hinge Stud Set Screw	2
10	512761	Needle Bar with 223, 665 and 249270	
11	223-850	Needle Set Screw	
12	665-850	Needle Bar Thread Guide Screw	
13	249270	Needle Bar Thread Guide	
14	Cat. 1955-014	Needle	
15	513225	Tension cpl. Nos. 202407, 500807, 502668, 512688, 512689, 512691, 512696 and two 2102	
16	202407	Tension Spring	
17	500807-821	Tension Regulating Nut	
18	502668	Thread Take-up Spring	
19	512688	Tension Stud	
20	512689	Thread Take-up Spring Regulator with 457 and 512690	
21	457-833	Tension Stud Set Screw	
22	512690	Thread Take-up Spring Stud	
23	512691	Tension Releasing Pin	
24	512696	Tension Spring Disc	
25	2102	Tension Disc	2
26	624-833	Thread Take-up Spring Regulator Set Screw	
27	512698	Thread Eyelet (front of arm)	
28	500429-821	Thread Eyelet (front of arm) Screw	
29	512699	Thread Guide (lower)	
30	624-833	Thread Guide (lower) Set Screw	
31	500460-850	Screw	
32	513240	Rotary Tension cpl. Nos. 202407, 500807, 502668, 502688, 512689, 512691, 202079, 272221 and 512695 (Special Accessories)	
33	202079	Felt Washer	2
34	272221	Thread Tension Wheel	
35	512695	Tension Spring Disc	
36	223438	Tension Spring (Only for 770/771 A/D 3/43)	
37	512010	Tension Releasing Disc (Only for 770/771 A/D 3/43)	



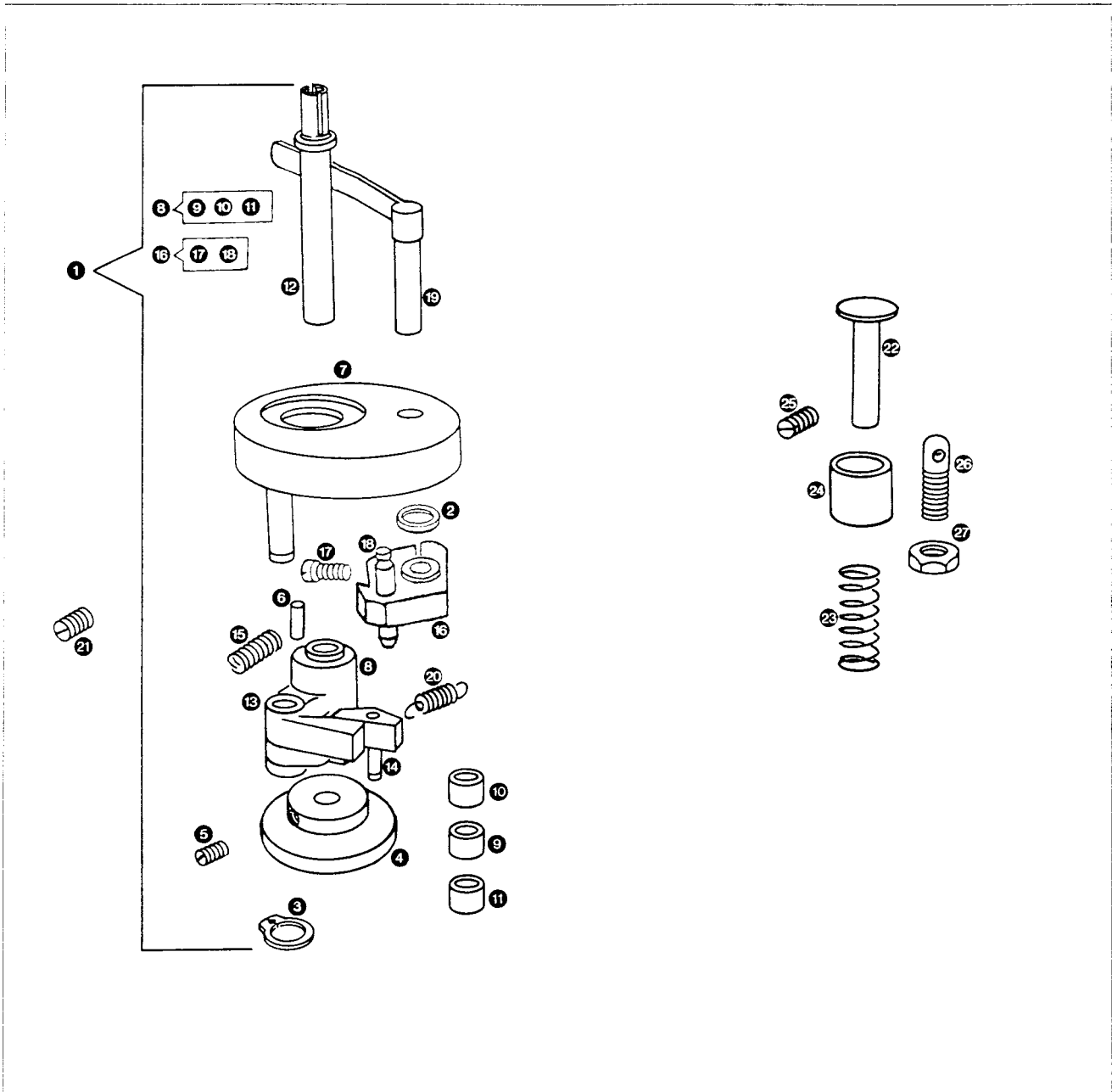
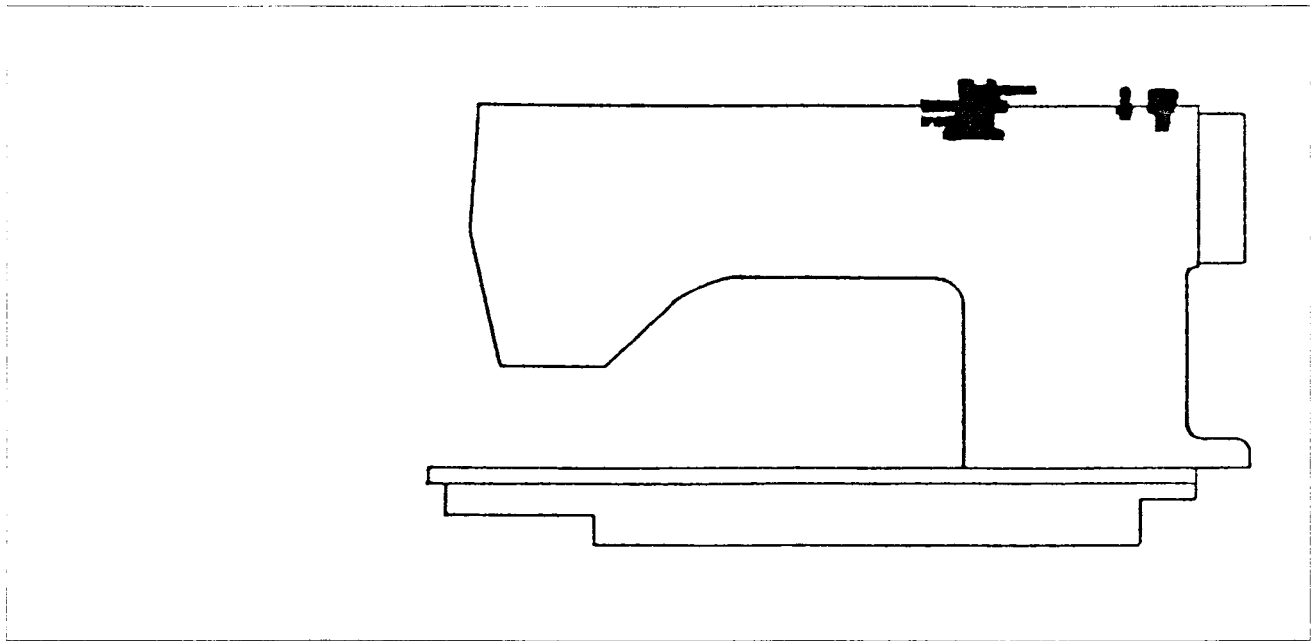
Parts List for Machine Class 770 D1/D3, 771 D1 D3

Ref. No.	Part No. For Ordering	Description	Amt. Req.
1	512756	Needle Bar Frame cpl. Nos. 512772, 512773 and 512774	
2	512772	Needle Bar Lubricating Felt	
3	512773	Needle Bar Lubricating Felt Securing Plate (upper)	
4	512774	Needle Bar Lubricating Felt Securing Plate (lower)	
5	513080	Needle Bar Frame Adjusting Link	
6	500438-833	Needle Thread Tension Releasing Device Eccentric Pin Set Screw	
7	704-850	Needle Bar Frame Screw	
8	742-850	Needle Bar Frame Adjusting Link Screw	
9	50150-833	Needle Bar Frame Adjusting Screw	
11	512683	Feed Rock Shaft	
13	513231	Needle Thread Tension Releasing Device Spring	
14	513226	Needle Thread Tension Releasing Lever cpl. Nos. 513227, 513229, 513230, 207 and 512002	
15	513227	Needle Thread Tension Releasing Lever	
16	513229	Needle Thread Tension Releasing Stud	
17	513230	Needle Thread Tension Releasing Adjusting Plate	
18	207-850	Securing Screw	
19	512002	Needle Thread Tension Releasing Stud Retaining Ring	2
20	513148	Oil Tube cpl.	
21	449-833	Pinch Screw	
22	1036-830	Needle Bar Frame Set Screw	



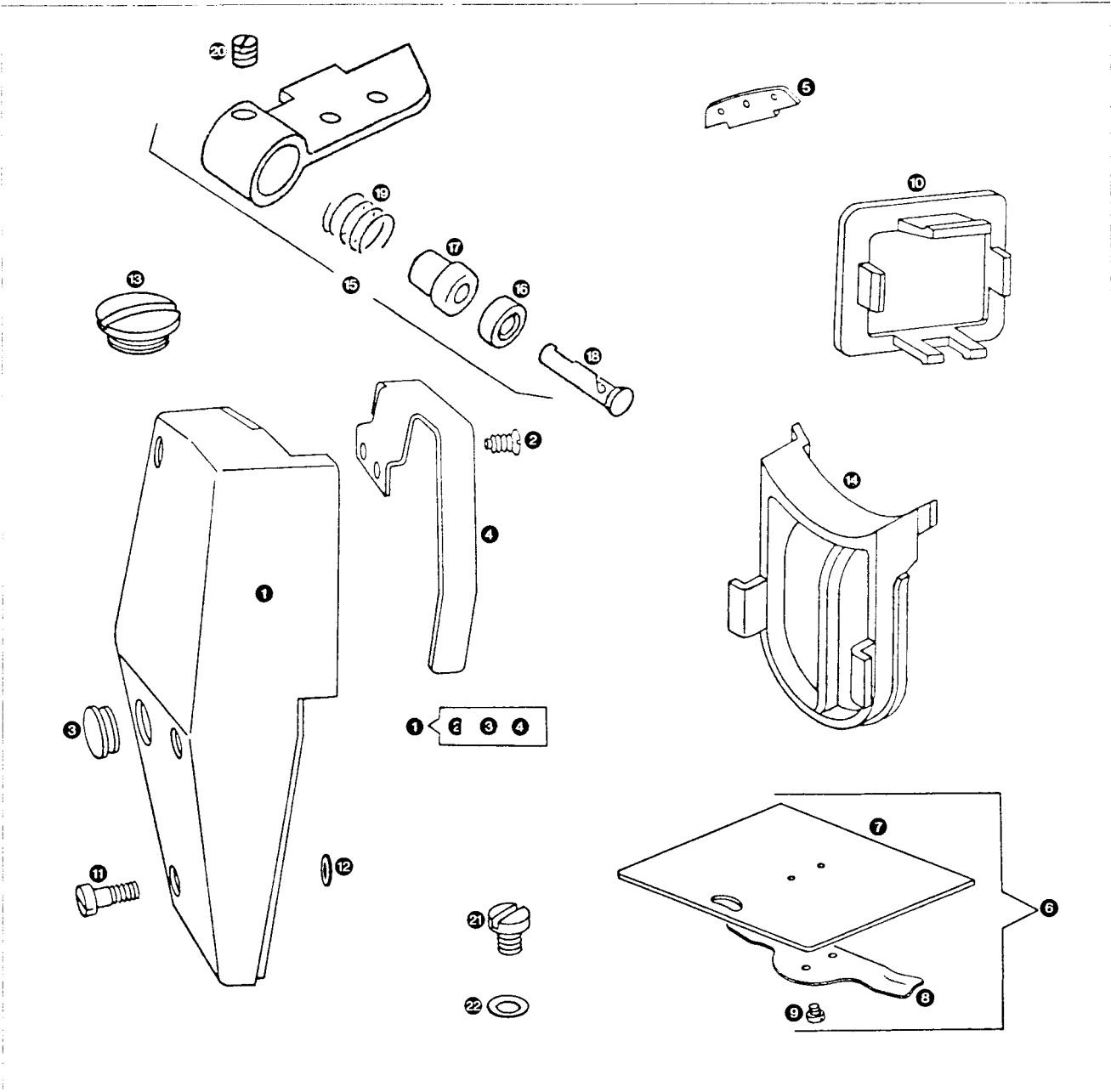
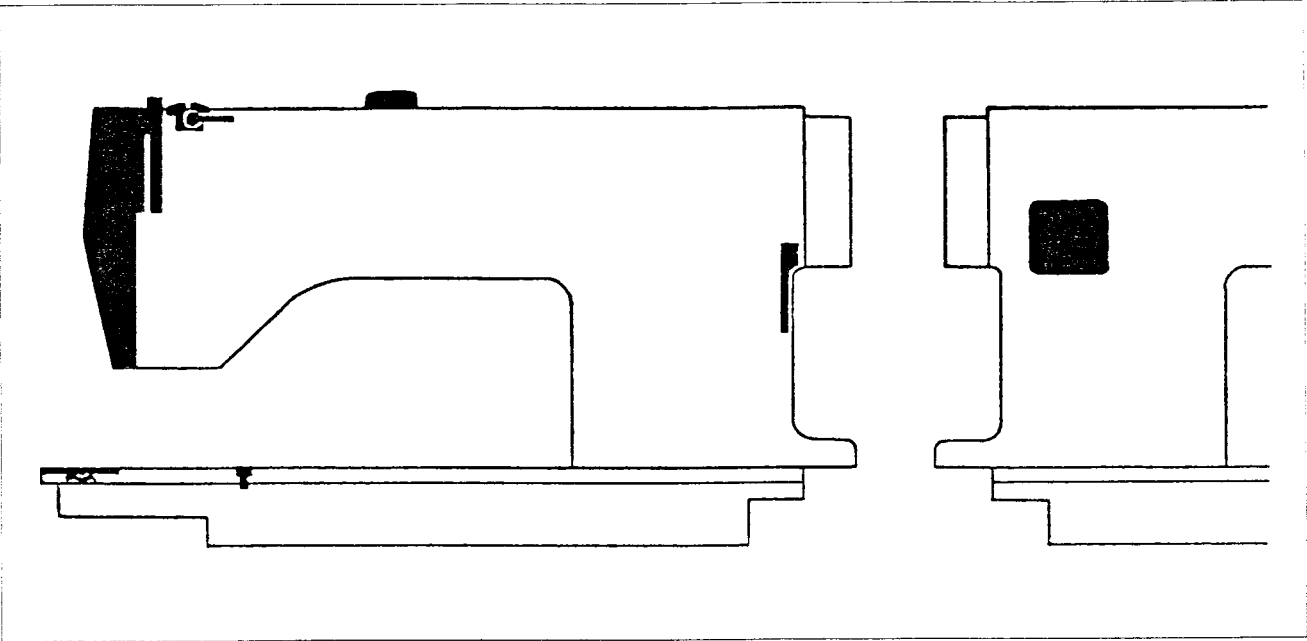
Parts List for Machine Class 770 D1/D3, 771 D1/D3

Ref. No.	Part No. For Ordering	Description	Amt. Req.
1	512728	Bobbin Winder cpl. Nos. 32830, 502802, 508551, 512047, 512729, 512730, 512733, 512734, 512735, 512736, 512737 and 512738	
2	32830	Bobbin Winder Shaft Spacer	
3	502802	Bobbin Winder Frame Retaining Ring	
4	508551	Bobbin Winder Friction Wheel with two 50429	
5	50429-833	Bobbin Winder Friction Wheel Set Screw	2
6	512047	Bobbin Winder Frame Pin	
7	512729	Bobbin Winder Housing	
8	512730	Bobbin Winder Frame with 508549, 512731 and 512732	
9	508549	Bobbin Winder Roller Clutch	
10	512731	Bobbin Winder Bushing (upper)	
11	512732	Bobbin Winder Bushing (lower)	
12	512733	Bobbin Winder Shaft	
13	512734	Bobbin Winder Frame Lever with 512048	
14	512048	Bobbin Winder Frame Lever Pin	
15	512735	Bobbin Winder Frame Spring	
16	512736	Bobbin Winder Engaging Segment with 50073 and 512049	
17	50073-803	Bobbin Winder Engaging Segment Pinch Screw	
18	512049	Bobbin Winder Engaging Segment Pin	
19	512737	Bobbin Winder Engaging Lever	
20	512738	Bobbin Winder Engaging Segment Spring	
21	500296-833	Bobbin Winder Set Screw	
22	508563	Arm Cover Thread Tension Stud	
23	508564	Arm Cover Thread Tension Stud Spring	
24	508565	Arm Cover Thread Tension Stud Disc	
25	500438-833	Arm Cover Thread Tension Stud Set Screw	
26	512938	Arm Cover Thread Guide Stud	2
27	1520-850	Arm Cover Thread Guide Stud Lock Nut	2



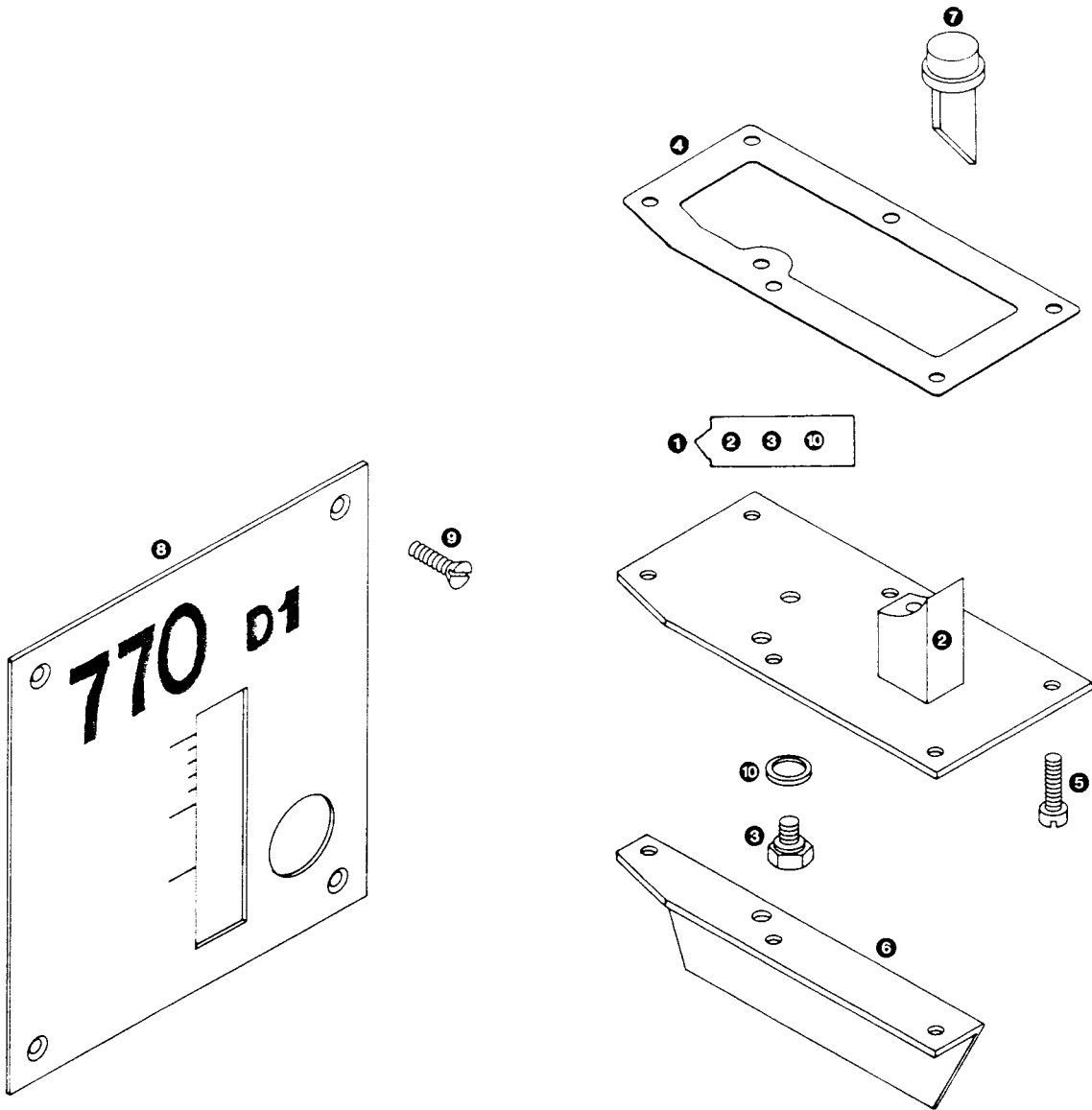
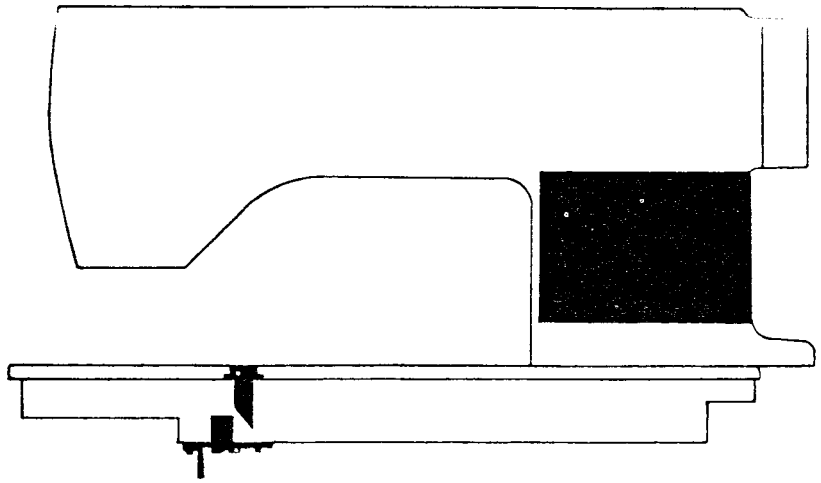
Parts List for Machine Class 770 D1/D3, 771 D1/D3

Ref. No.	Part No. For Ordering	Description	Amt. Req
1	512888	Face Plate with 691, 512946 and 513115	
2	691-833	Thread Take-up Guard Set Screw	2
3	512946	Face Plate Plug	
4	513115	Thread Take-up Guard	
5	512701	Thread Guide	2
6	270009	Bed Slide cpl. Nos. 270 009-900, 508 506 and two 000 238-850	
7	270009-900	Bed Slide	
8	508506	Bed Slide Spring	
9	000238-850	Bed Slide Spring Securing Screw	2
10	513219	Arm Access Hole Cover	
11	122-850	Face Plate Securing Screw	3
12	512793	Face Plate Securing Screw Seal	3
13	500423-821	Arm Seal Screw (Only for the 770/771 versions w/o UTT)	
14	512894	Arm Cover for Synchronizer Assembly Hole	
15	513143	Pretension cpl. Nos. 210958, 210993, 272209, 272208 and 460	
16	210958	Pretension Disc	
17	210993	Pretension Bushing	
18	272209	Pretension Stud	
19	272208	Pretension Spring	
20	460-833	Pretension Set Screw	
21	500300-850	Oil Filling Screw	
22	502907	Gasket	



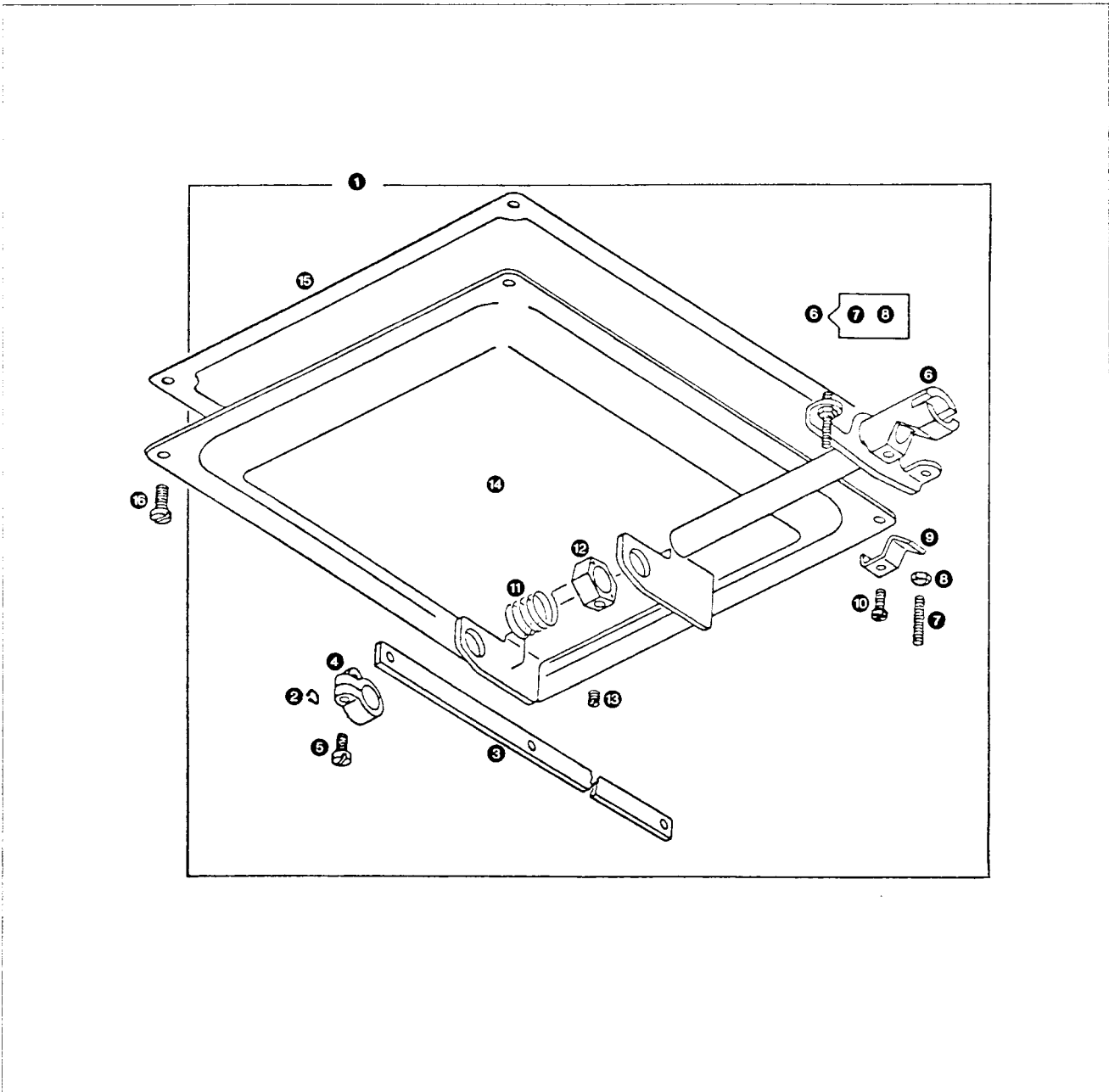
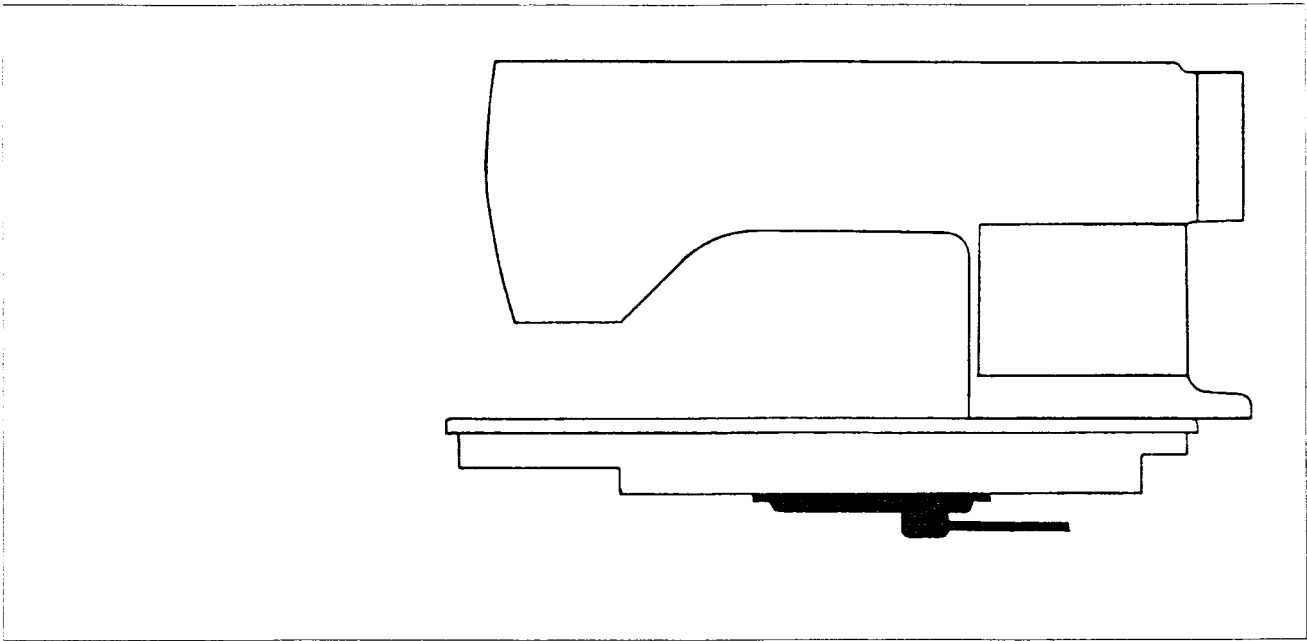
PartsList for Machine Class 770 D1/D3 771 D1/D3

Ref. No.	Part. Mo. For Ordering	Description	Amt. Req.
1	513201	Oil Reservoir Cover cpl. Nos. 513254, 500329-850 and 502779	
2	513254	Oil Reservoir Form Rubber	
3	500329	Oil Reservoir Cover Clasing Screw	
4	513202	Oil Reservoir Cover Gasket	
5	500440-850	Oil Reservoir Cover Holding Screw	6
6	513195	Machine Supporting Bracket	
7	513197	Oil Level Indicator	
8	513220	Machine Class Indicator Plate	
9	500429-821	Machine Class Indicator Plate Holding Screw	4
10	502799	Closing Screw Gasket	



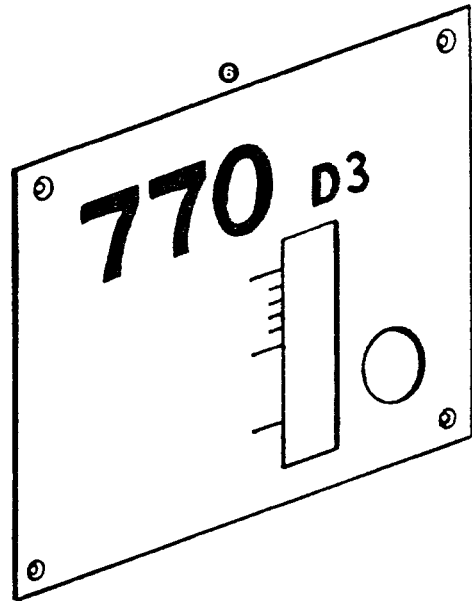
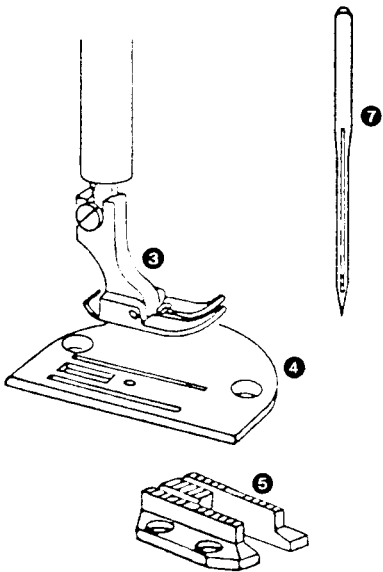
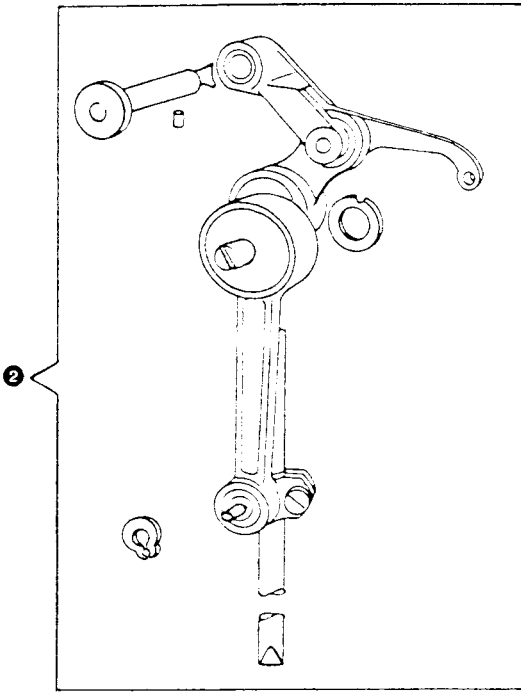
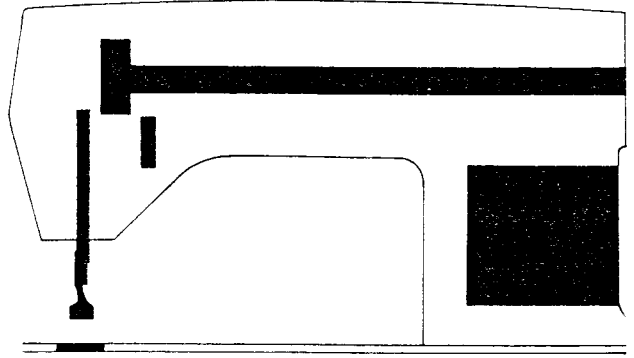
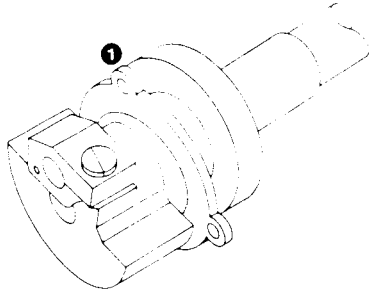
Parts List for Machine Class 770 D1/D3 771 D1/D3

Ref. No.	Part No. For Ordering	Description	Amt. Req.
1	513208	Bed Cover cpl. Nos. 502802, 512778, 512780, 512783, 512784, 513209, 513211, 513212, 513213 and 190-850	
2	502802	Knee Lifter Connection Link Retaining Ring	1
3	512778	Knee Lifter Connection Link	
4	512780	Knee Lifter Crank with 1149	
5	1149-850	Knee Lifter Crank Pinch Screw	
6	513211	Knee Lifter Stop cpl. Nos. 500296 and 1521	
7	500296-833	Knee Lifter Stop Screw	2
8	1521-850	Knee Lifter Stop Nut	2
9	513213	Knee Lifter Locking Spring	
10	190-850	Knee Lifter Locking Spring Screw	
11	512783	Knee Lifter Return Spring	
12	512784	Knee Lifter Return Spring Adjusting Nut with 500438	
13	500438-833	Knee Lifter Return Spring Adjusting Nut Set Screw	
14	513209	Bed Cover	
15	513212	Bed Cover Gasket	
16	500440-850	Bed Cover Screw	4



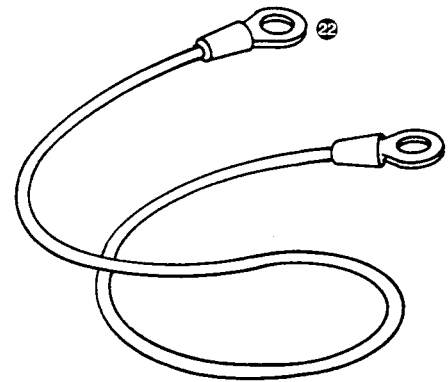
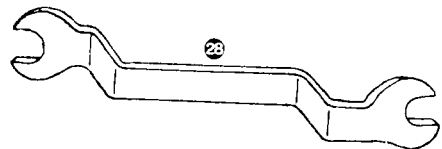
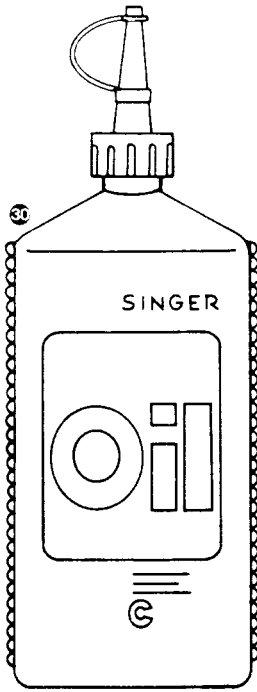
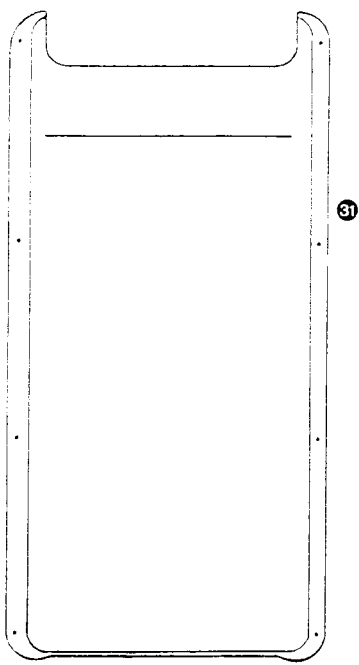
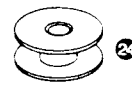
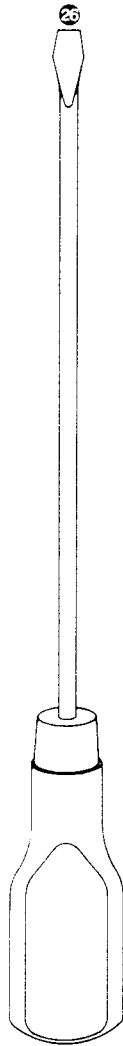
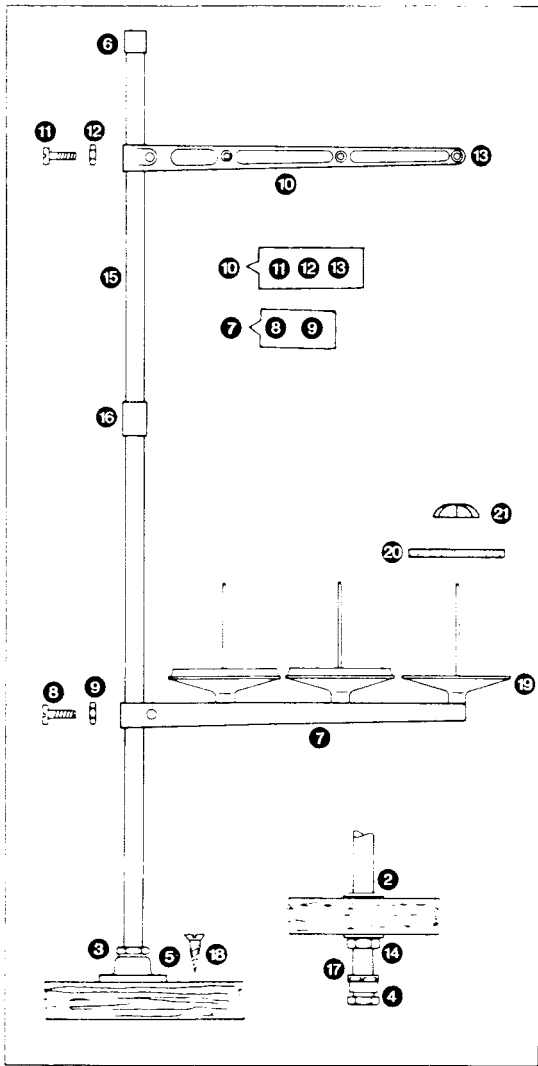
Parts List for Machine Class 770 D3/D43

Ref. No.	Part No. For Ordering	Description	Amt. Req.
1	513207	Arm Shaft cpl. (component parts as listed on page 135 Ref. No. 1)	
2	513183	Thread Take-up Mechanism Cpl. (component parts as listed on page 145 Ref. No. 1)	
3	517501	Presser Foot	
4	143175	Throat Plate	
5	143174	Feed Dog	
6	513246	Machine Class Indicator Plate	
7	1955-018	Needle	



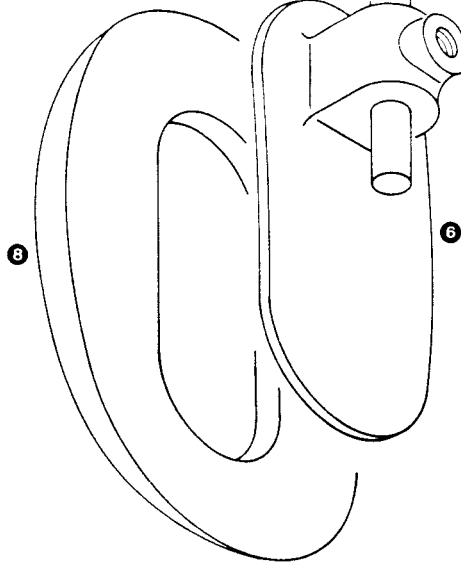
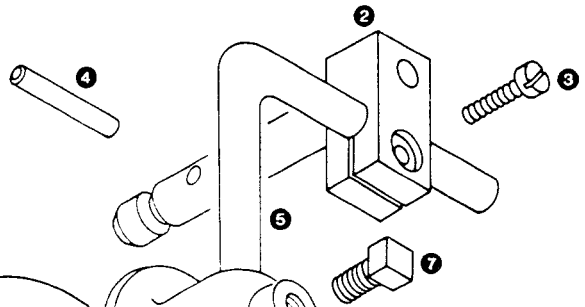
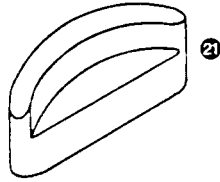
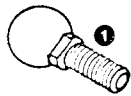
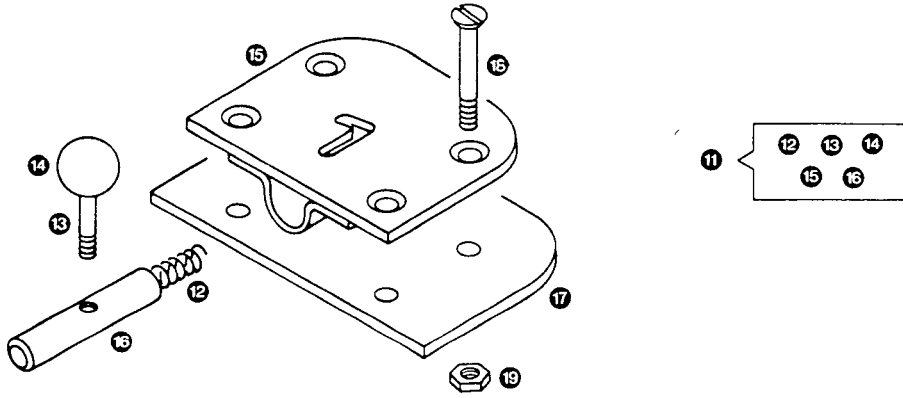
ACCESSORIES

Ref. No.	Part No. For Ordering	Description	Amt. Req.
1	517527	Thread Unwinder cpl. Nos. 263471, 511908, 512094, 517528, 517531, 517532, 517536, two each 512093, 517529, 517530 and three each 511591, 517533, 517534 and 517535	
2	263471	Thread Unwinder Rod Retaining Ring	
3	511908-850	Thread Unwinder Rod Nut	
4	512094	Thread Unwinder Screwed Gland	
5	517528	Thread Unwinder Foot	
6	517531	Thread Unwinder Rod Cap	
7	517532	Thread Unwinder Spool Carrier Arm with 511584 and 511901	
8	511584-850	Thread Unwinder Spool Carrier Arm Screw	
9	511901-830	Thread Unwinder Spool Carrier Arm Nut	
10	517536	Thread Unwinder Thread Guide with 511584, 511901 and three 517537	
11	511584-850	Thread Unwinder Thread Guide Screw	
12	511901-830	Thread Unwinder Thread Guide Nut	
13	517537	Thread Unwinder Thread Guide Bushing	3
14	512093	Thread Unwinder Rod Washer	2
15	517529	Thread Unwinder Rod	2
16	517530	Thread Unwinder Rod Connection	
17	517530	Thread Unwinder Plain Coupler	
18	511591-819	Thread Unwinder Wood Screw	3
19	517533	Thread Unwinder Spool Carrier Plate	3
20	517534	Thread Unwinder Spool Cushion	3
21	517535	Thread Unwinder Spool Holder	3
22	603271	Machine Grounding Wire	
23	512021	Machine Grounding Wire Lock Washer	
24	272152	Bobbin	2
25	228476	Screw Driver	
26	120440	Screw Driver	
27	239353	Socket Wrench (5/32")	
28	023535	Open End Wrench (19/64")	
29	225491	Machine Rest Pin	
30	517603	Oiler cpl. with Spout and Oil (0.25 ltr.)	
31	503869	Drip Pan	
32	512092	Drip Pan Nail	8



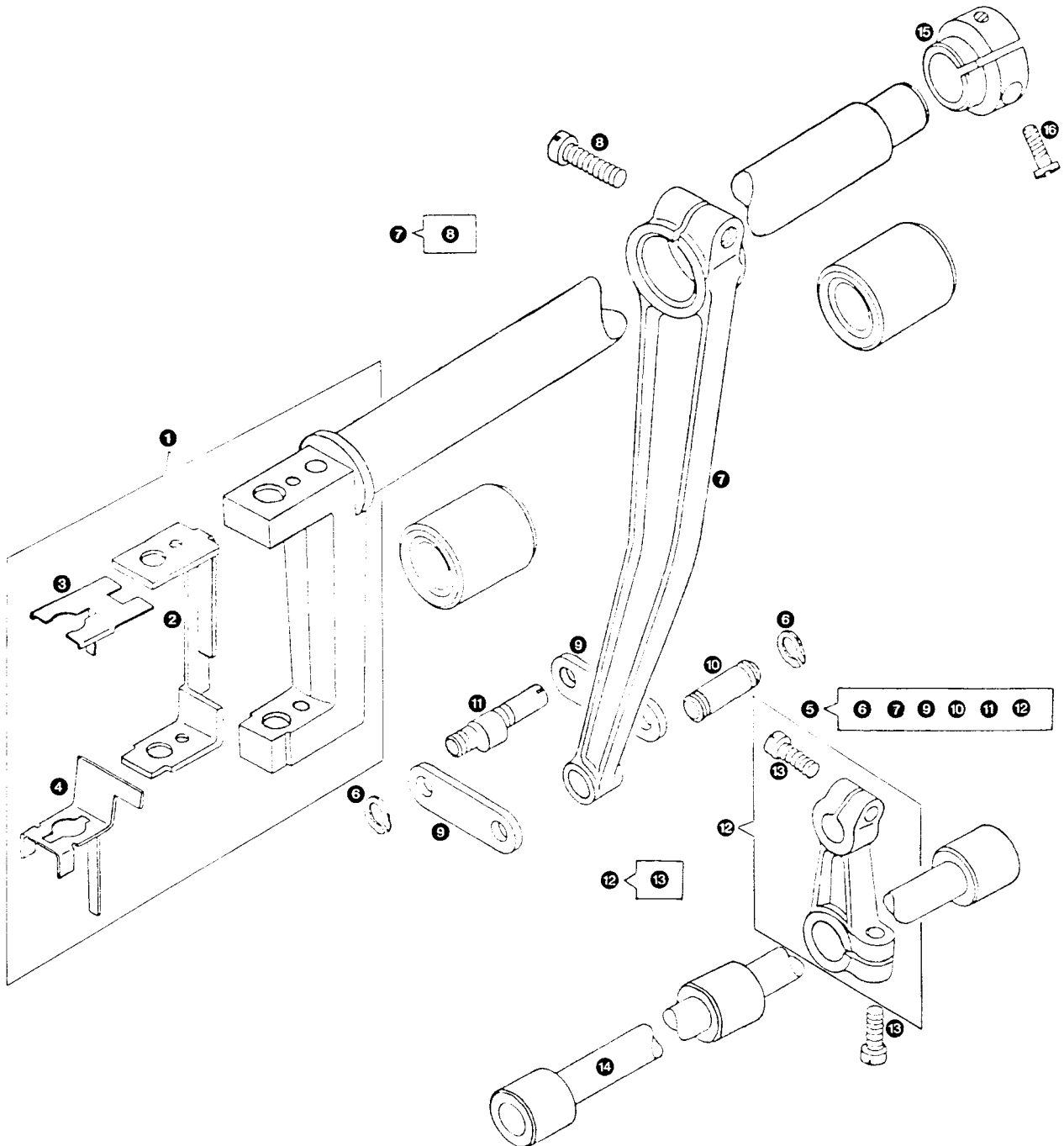
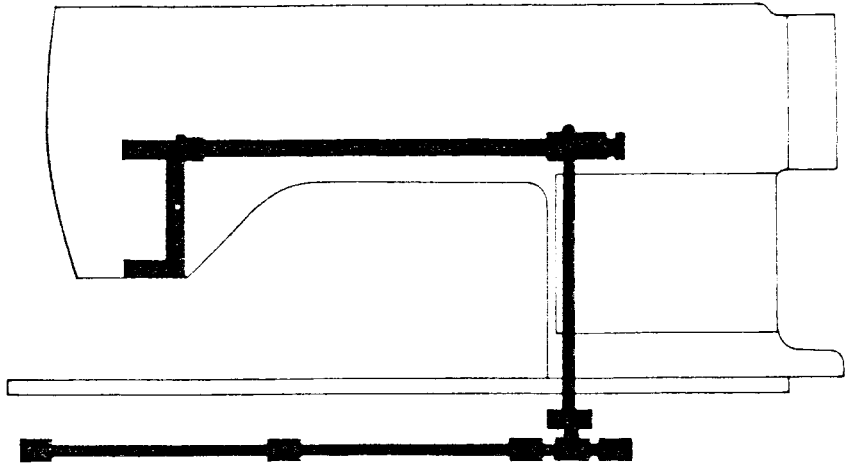
ACCESSORIES

Ref. No.	Part No. For Ordering	Description	Amt. Req.
1	500452	Machine Pivot	3
2	512788	Knee Lifter Clamp with 140377 and 512054	
3	140377-850	Knee Lifter Clamp Pinch Screw	
4	512054	Knee Lifter Clamp Pin	
5	502583	Knee Lifter Arm	
6	228364	Knee Lifter Plate with 350231	
7	350231-850	Knee Lifter Plate Set Screw	
8	150668	Knee Lifter Plate Pad	
9	Cat. 1955-014	Needle (for Class 770 D 1)	5
10	Cat. 1955-018	Needle (for Class 770 D 3)	3
11	512962	Machine Tilting Safety Bolt cpl. Nos. 263738, 500448, 512086, 512963 and 512964	
12	263738	Machine Tilting Safety Bolt Spring	
13	500448	Machine Tilting Safety Bolt Screw	
14	512086	Machine Tilting Safety Bolt Ball	
15	512963	Machine Tilting Safety Bolt Guide	
16	512964	Machine Tilting Safety Bolt	
17	512965	Machine Tilting Safety Bolt Plate	
18	500447-850	Machine Tilting Safety Bolt Plate Screw	4
19	51775-850	Machine Tilting Safety Bolt Plate Nut	4
20	512797	Rubber Pivot Cushion	3
21	513305	Machine Rest Pad	1



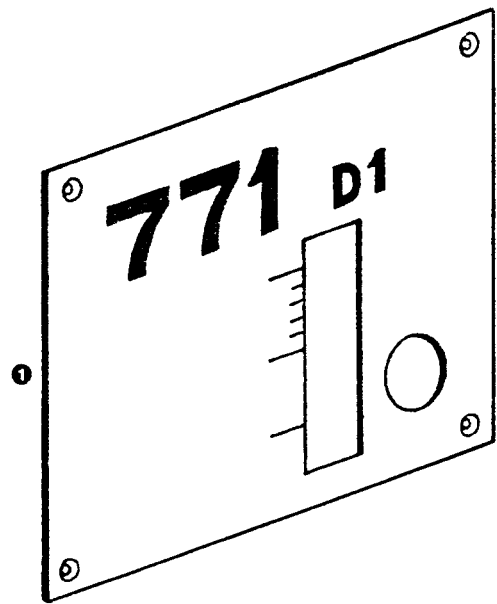
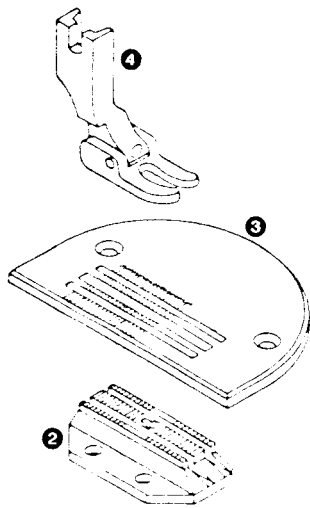
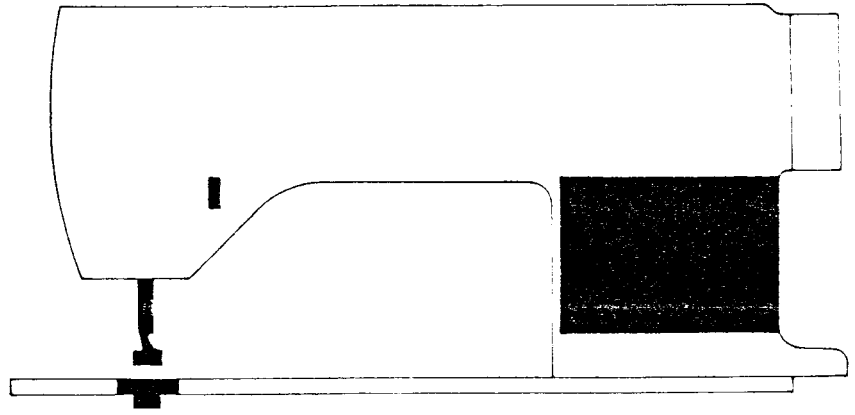
Parts List For 771 D 1

Ref. No.	Part No. For Ordering	Description	Amt. Req.
1	512801	Needle Bar Frame cpl. Nos. 512772, 512773 and 512774	
2	512772	Needle Bar Lubrication Felt	
3	512773	Needle Bar Lubrication Felt Securing Plate (upper)	
4	512774	Needle Bar Lubrication Felt Securing Plate (lower)	
5	512805	Compound Feed Linkage cpl. Nos. 512806, 512808, 512809, 512810, Two 512807 and four 502802	
6	502802	Retaining Ring	
7	512806	Connecting Link with No. 51183-850	
8	51183-850	Screw	
9	512807	Connecting Link (2)	
10	512808	Stud	
11	512809	Eccentric Stud	
12	512810	Crank With No. two 50436-850	
13	50436-850	Screw (2)	
14	512811	Shaft	
15	513150	Adjusting Collar with No. 1186-850	
16	1186-850	Screw	



Parts List For 771 D1

Ref. No.	Part No. For Ordering	Description	Amt. Req.
1	513249	Machine Class Indicator Plate	
2	517722	Feed Dog	
3	517724	Throat Plate	
4	517719	Presser Foot (hinged)	

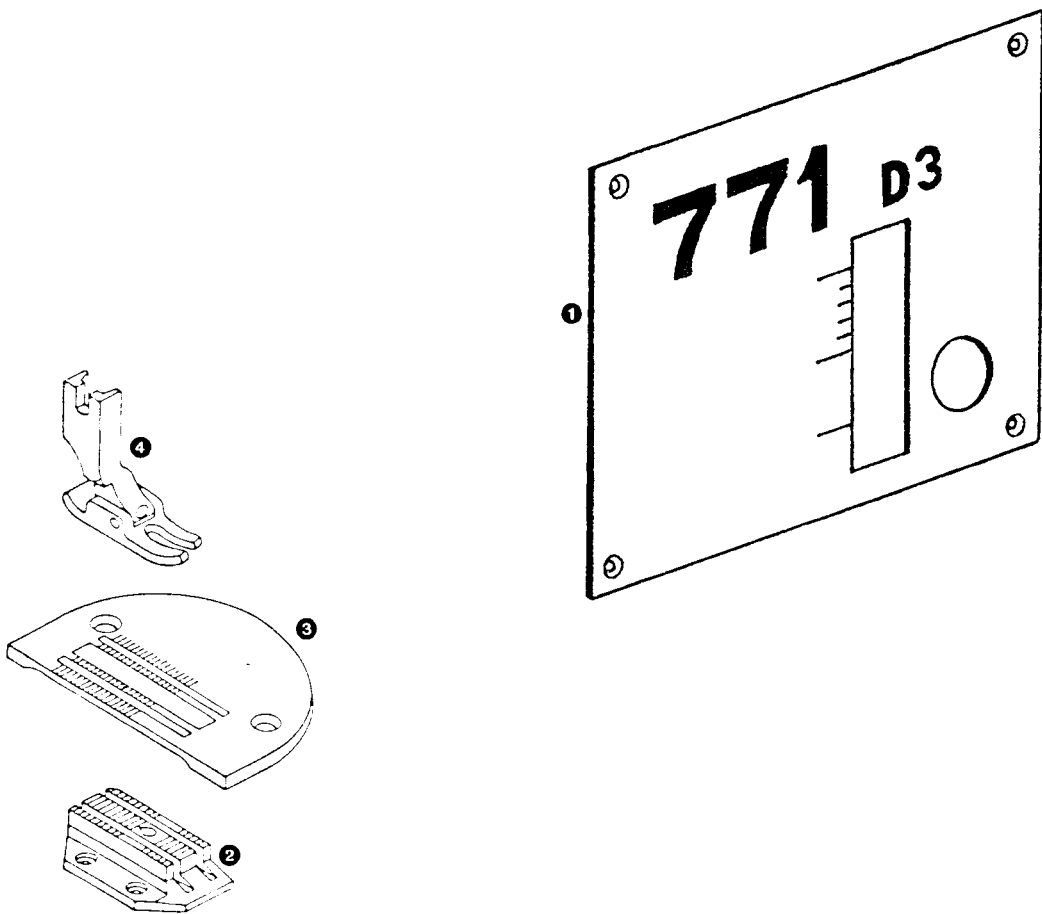
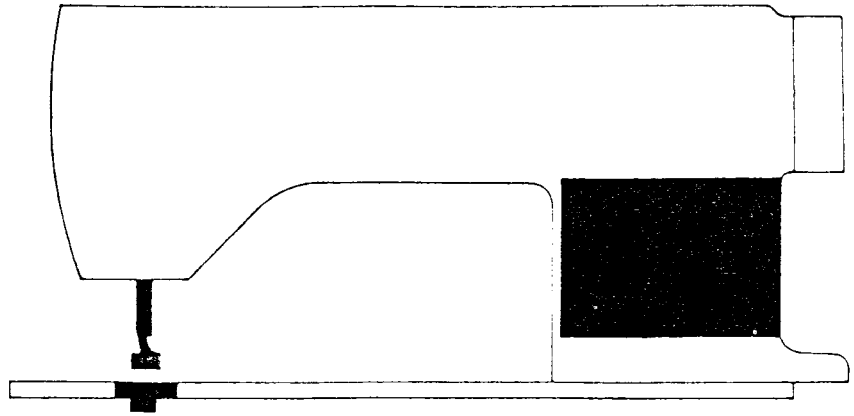


Parts List for 771 D 3

The following Parts differ from those on 771D 1.

All other parts are the same.

Ref. No.	Part No. For Ordering	Description	Amt. Req.
1	513250	Machine Class Indicator Plate	
2	275010	Feed Dog	
3	275020	Throat Plate	
4	503934	Presser Foot (hinged)	



Parts List

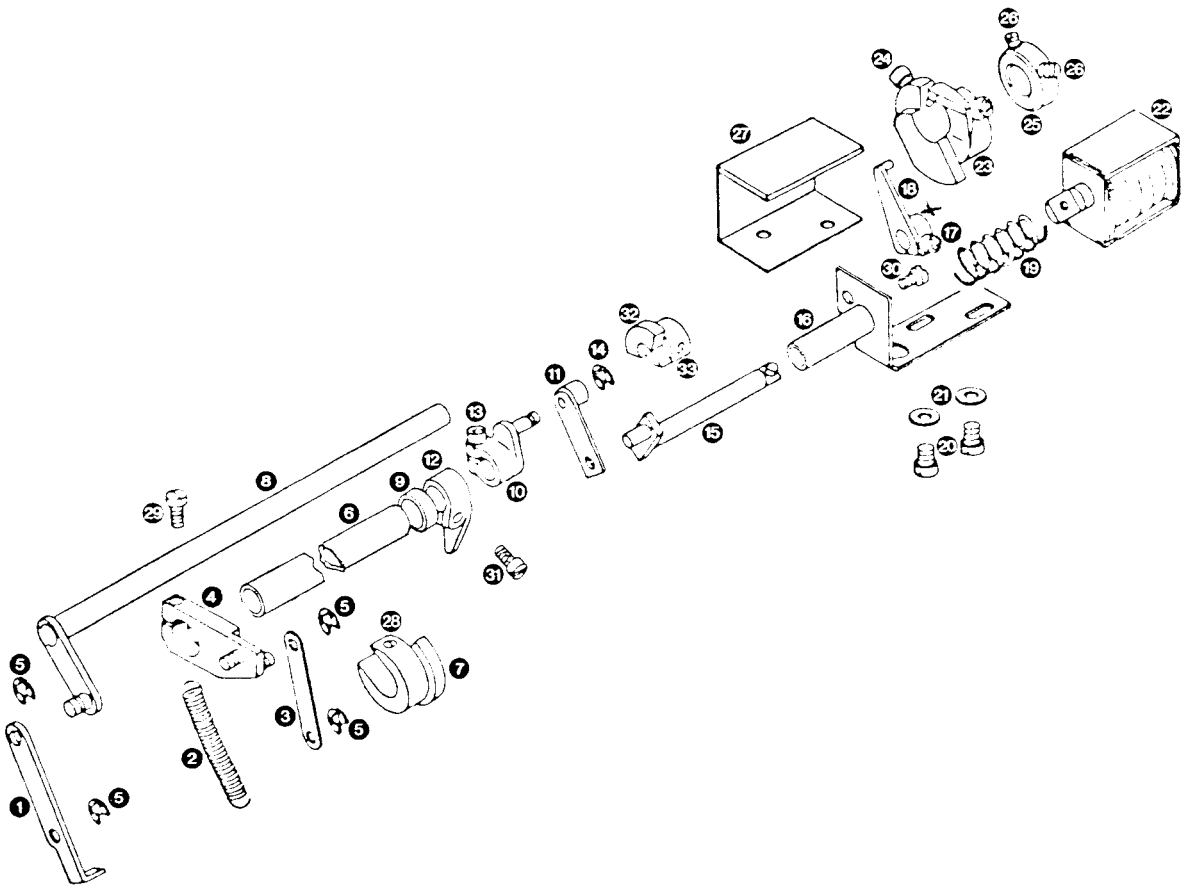
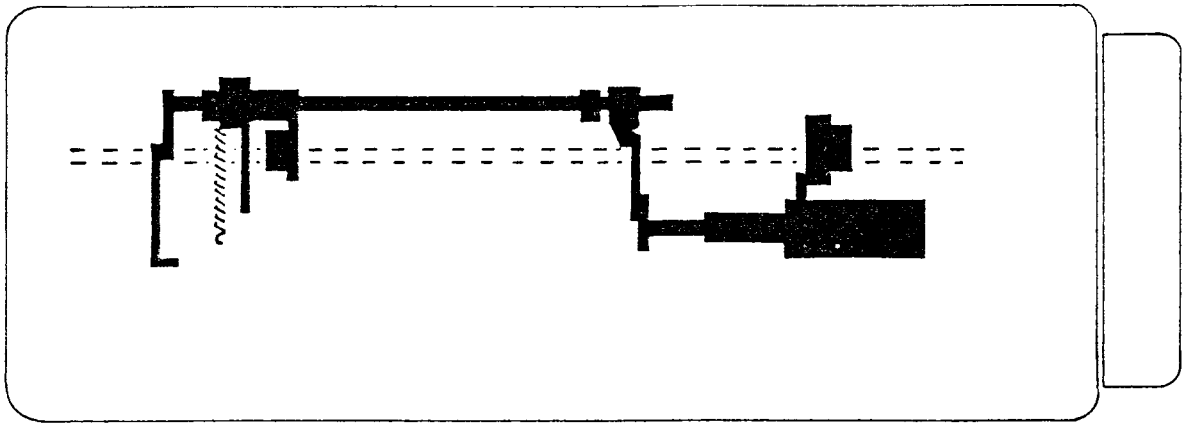
SINGER
INDUSTRIAL PRODUCTS

Parts List UTT

770 D41
D43
771 D41
D43

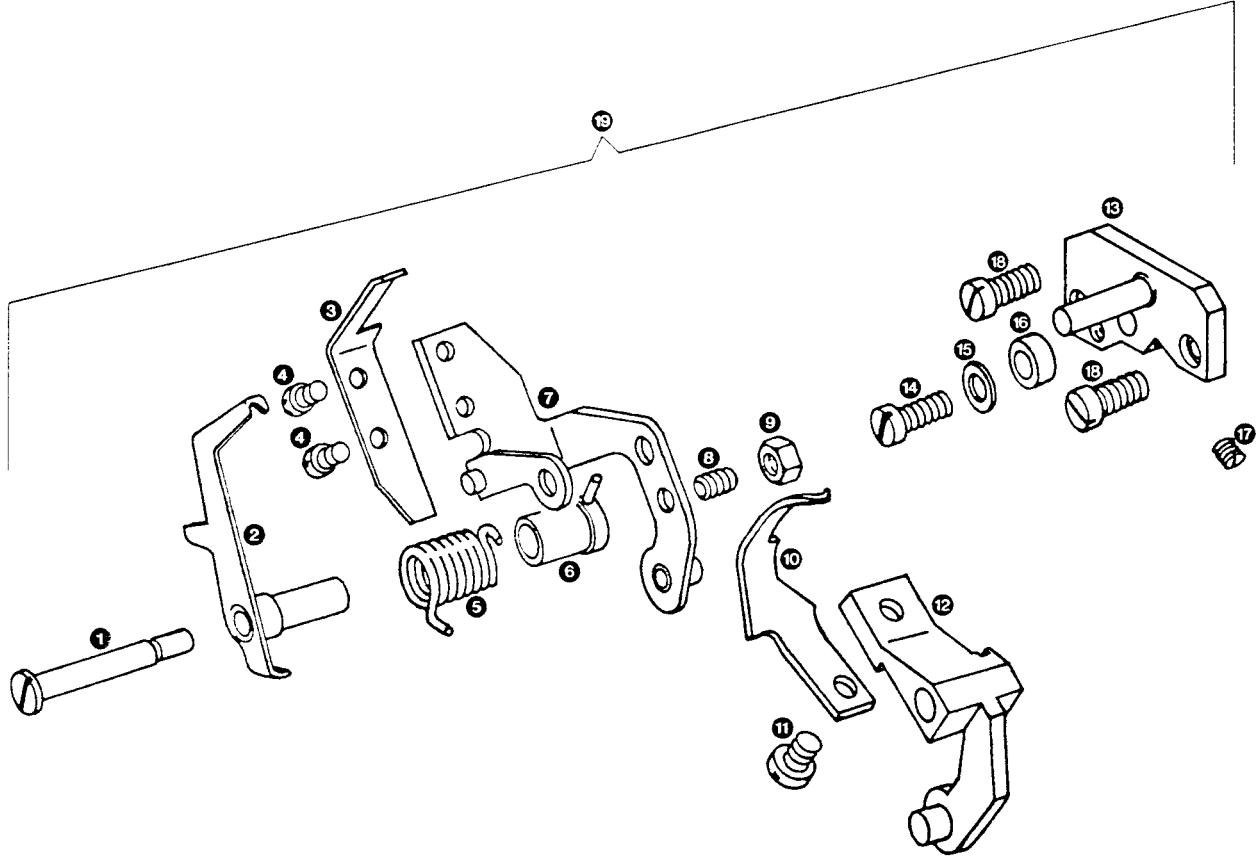
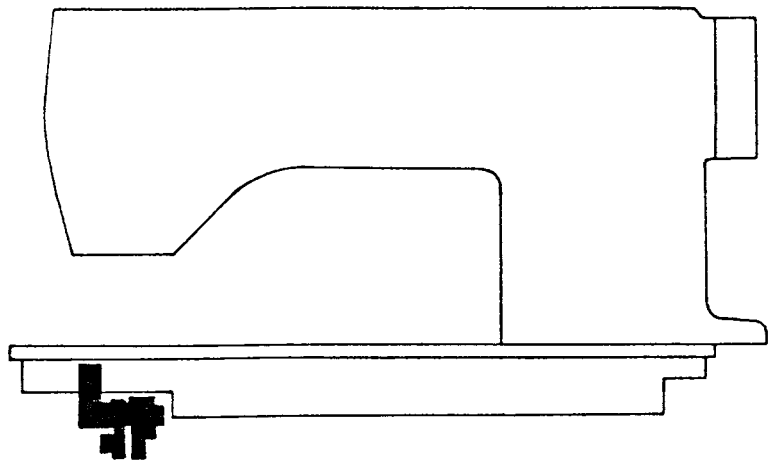
Parts List for 770 D41/D43 771 D41/D43

Ref. No.	Part No. For Ordering	Description	Amt. Req.
1	513130	Thread Puller Actuating Link	
2	513131	Thread Puller Actuating Shaft Return Spring	
3	513132	Knife Actuating Link	
4	513134	Knife Actuating Crank cpl.	
5	512002	Knife Actuating Crank Retaining Ring	4
6	513260	Knife Actuating Cam Arm	
7	513136	Knife Actuating Cam with 500212	
8	513200	Thread Puller Actuating Shaft	
9	513255	Thread Puller Actuating Shaft Bushing	
10	513139	Thread Puller Actuating Shaft Crank with 350719	
11	513140	Solenoid Plunger Connecting Link	
12	513256	Knife Actuating Follower with 500440	
13	350719-869	Thread Puller Actuating Shaft Crank Pinch Screw	
14	507563	Thread Puller Actuating Shaft Crank Retaining Ring	
15	512825	Thread Puller Driving Shaft cpl	
16	512911	Solenoid Bracket cpl.	
17	350719-869	Thread Puller Control Cam Follower Pinch Screw	
18	513141	Thread Puller Control Cam Follower with 350719	
19	512828	Solenoid Plunger Return Spring	
20	500434-850	Solenoid Securing Screw	2
21	202603	Solenoid Securing Screw Washer	2
22	603277	Solenoid cpl	
23	513142	Thread Puller Control Cam with 2 350719	
24	350719-869	Thread Puller Control Cam Set Screw	
25	513173	Thread Puller Driving Shaft Stop Collar with 2 453	
26	453-833	Thread Puller Driving Shaft Stop Collar Set Screw	2
27	508981	Solenoid Cover cpl.	
28	500212-833	Knife Actuating Cam Pinch Screw	2
29	1186-850	Knife Actuating Cam Clamping Screw	
30	161-850	Solenoid Bracket Securing Screw	
31	500440-850	Knife Actuating Follower Screw	
32	513302	Solenoid Plunger Connecting Link Safety Cam with two 500212	
33	500212-833	Safety Cam Pinch Screw	2



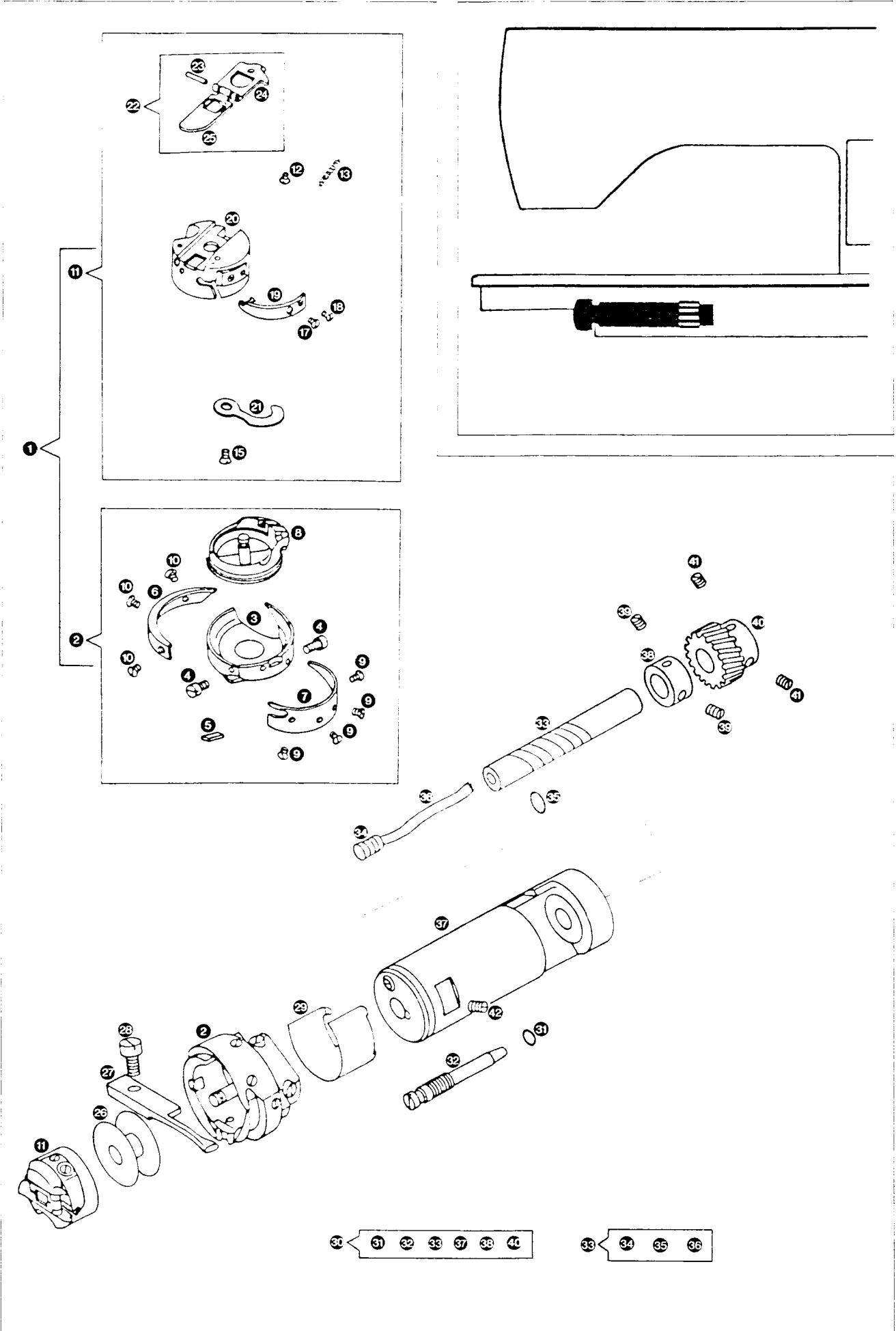
Parts List for 770 D41/D43, 771 D41/D43

Ref. No.	Part No. For Ordering	Description	Amt. Req.
1	513129	Eccentric Stud	
2	513127	Thread Puller cpl.	
3	513122	Thread Trimming Knife	2
4	225-850	Thread Trimming Knife Securing Screw	
5	513126	Thread Puller Return Spring	
6	513125	Thread Puller Bushing cpl.	
7	513121	Thread Puller and Trimmer Carrier cpl.	
8	447-833	Thread Puller and Trimmer Carrier Screw	
9	1708-850	Thread Puller and Trimmer Carrier Screw Nut	
10	513124	Thread Catcher	
11	225-850	Thread Catcher Securing Screw	
12	513123	Thread Catcher Carrier cpl.	
13	513119	Thread Puller and Trimmer Mounting Plate cpl.	
14	1186-850	Damping Disc Fastening Screw	
15	506696	Damping Disc Fastening Screw Washer	
16	513120	Damping Disc	
17	447-833	Eccentric Stud Pinch Screw	2
18	1186-850	Thread Puller and Trimmer Mounting Plate Screw	
19	513118-000	Thread Puller and Trimmer Mechanism cpl. (Ref. No. 1-18)	



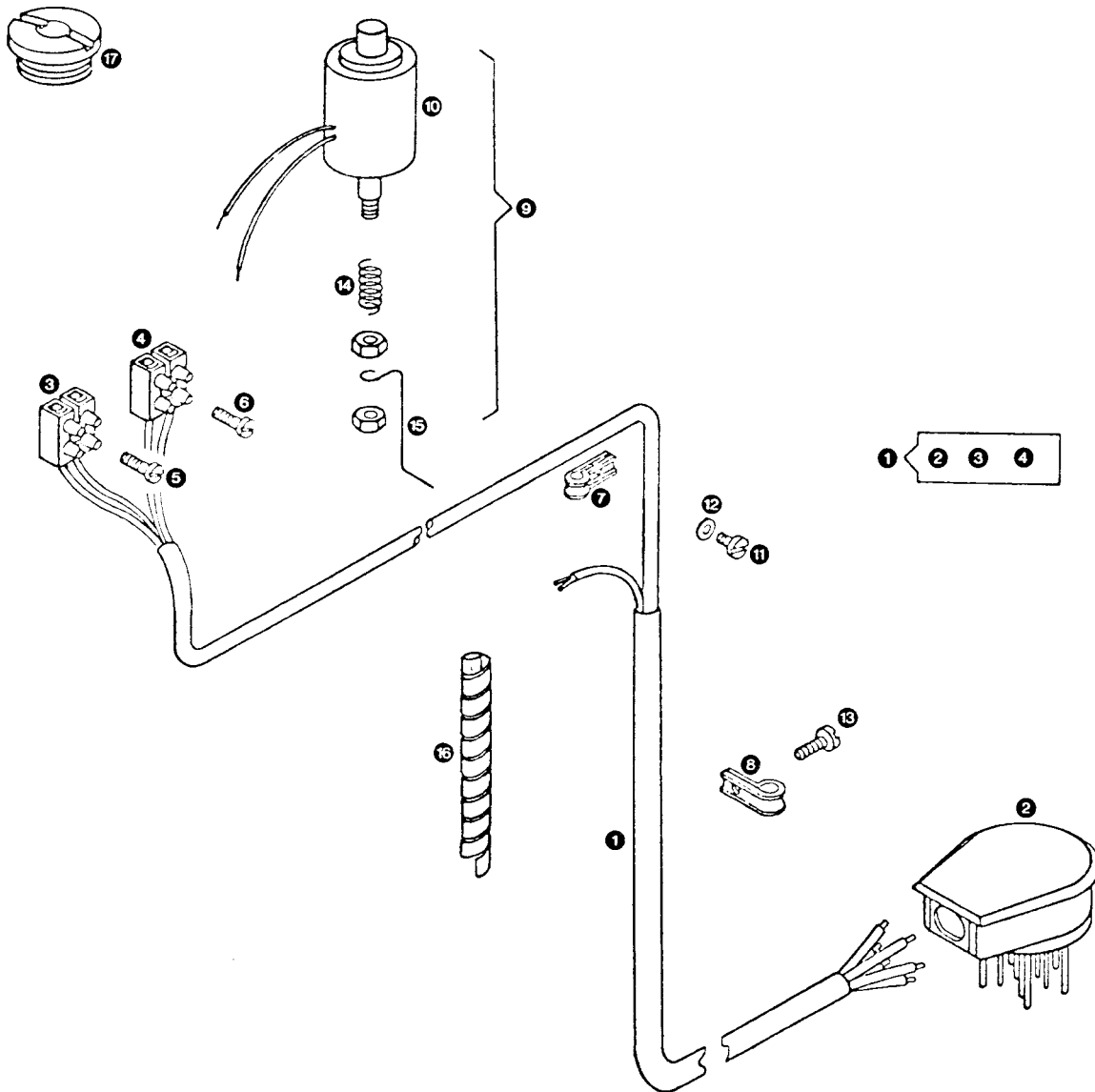
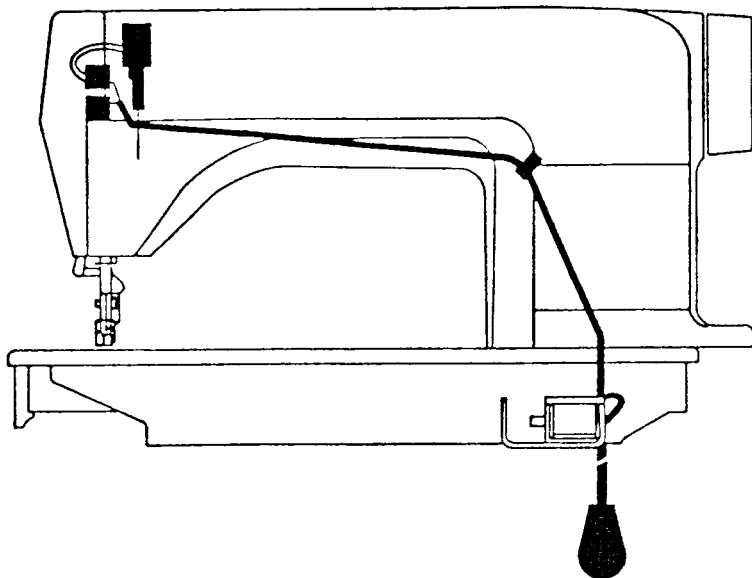
Parts List for Machine Class 770 D 41/D43 - 771 D41/D43

Ref. No.	Part No. For Ordering	Description	Amt. Req.
1	513265	Rotating Hook and Bobbin Case cpl. Nos. 513170 and 513266	
2	513170	Rotating Hook cpl. Nos. 143340, 143351, 149065, 149066, 513169 four 1053 and three 1367	
3	143340	Rotating Hook with two 1253	
4	1253-830	Rotating Hook Set Screw	2
5	143351	Rotating Hook Wiper	
6	149065	Rotating Hook Section	
7	149066	Rotating Hook Thread Guard	
8	513169	Rotating Hook Bobbin Case Holder	
9	1053-850	Rotating Hook Thread Guard Screw	4
10	1367-850	Rotating Hook Section Screw	3
11	513266	Rotating Hook Bobbin Case cpl. Nos. 592, 2975, 500414, 512906 and 40393	
12	592-850	Rotating Hook Bobbin Case Latch Stop Screw	
13	2975	Rotating Hook Bobbin Case Latch Spring	
15	500414-850	Bobbin Brake Spring Securing Screw	
17	591-850	Rotating Hook Bobbin Case Tension Spring Regulating Screw	
18	1380-850	Rotating Hook Bobbin Case Tension Spring Set Screw	
19	40394	Rotating Hook Bobbin Case Tension Spring	
20	513267	Rotating Hook Bobbin Case	
21	512906	Rotating Hook Bobbin Brake Spring	
22	40393	Rotating Hook Bobbin Case Hinge cpl. Nos. 2974, 40392 and 125320	
23	2974	Rotating Hook Bobbin Case Latch Lever Fulcrum Pin	
24	40392	Rotating Hook Bobbin Case Latch	
25	125320	Rotating Hook Bobbin Case Latch Lever	
26	272152	Rotating Hook Bobbin	
27	512710	Rotating Hook Bobbin Case Holder Bracket	
28	161-850	Rotating Hook Bobbin Case Holder Bracket Screw	
29	512800	Rotating Hook Oil Guard	
30	513293	Rotating Hook Shaft Bushing cpl. Nos. 271808, 500402, 512718, 513290, 512724 and 512725	
31	271808	Rotating Hook Shaft Oil Regulating Screw Ring	
32	500402-850	Rotating Hook Shaft Oil Regulating Screw	
33	513291	Rotating Hook Shaft cpl. Nos. 143349, 271808 and 513292	
34	143349-001	Rotating Hook Shaft Oil Filter Screw	
35	271808	Rotating Hook Shaft Oil Filter Screw Ring	
36	513292	Rotating Hook Shaft Oil Filter Wick	
37	513290	Rotating Hook Shaft Bushing	
38	512724	Rotating Hook Shaft Collar with two 453	
39	453-833	Rotating Hook Shaft Collar Screw	2
40	512725	Pinion cpl. with 512679 and two 448 (see 512726, page 136)	
41	448-833	Pinion Set Screw	2
42	448-833	Rotating Hook Shaft Bushing Set Screw	



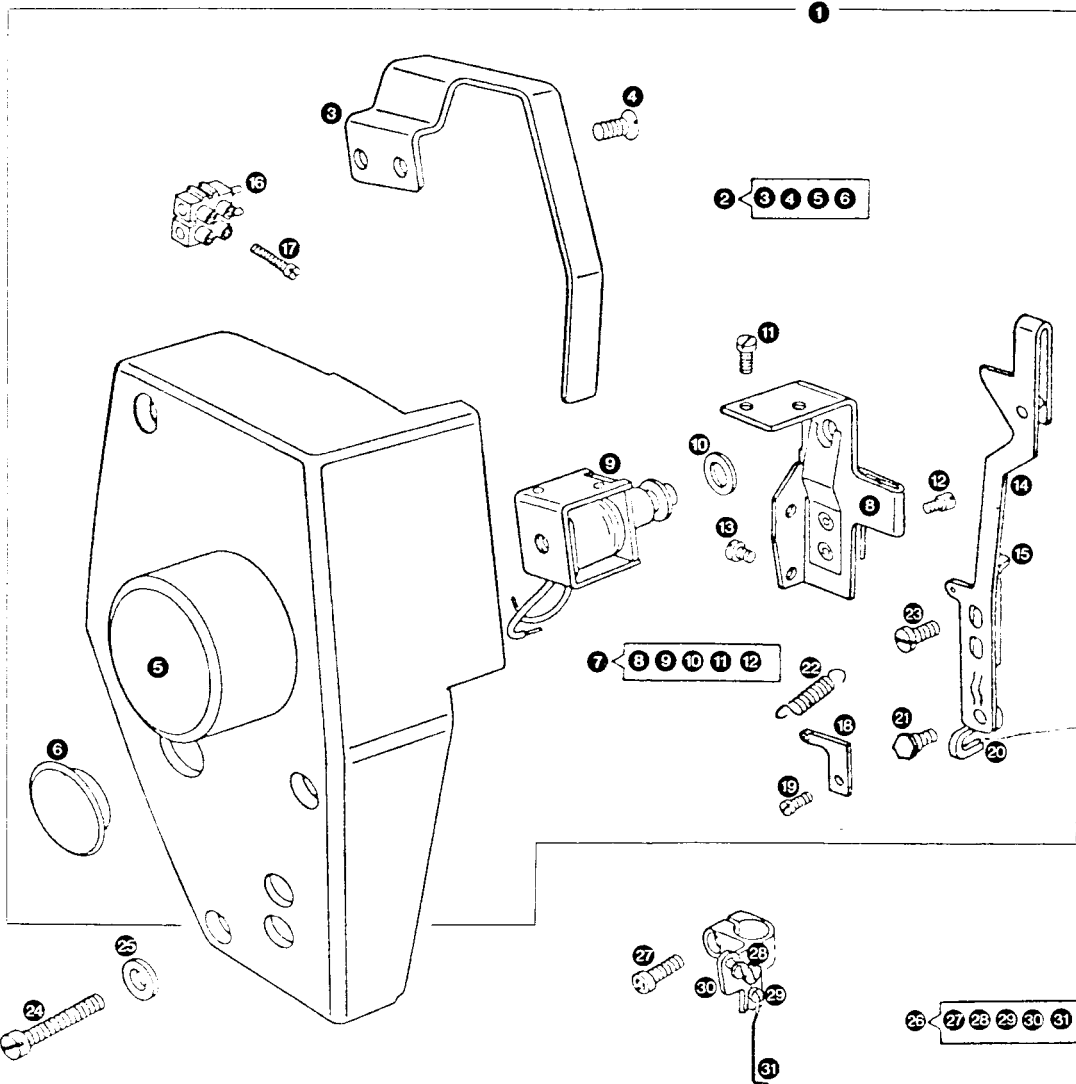
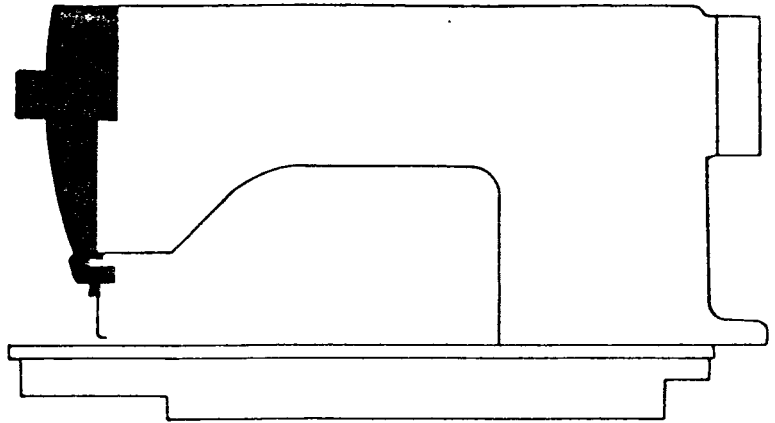
Parts List for 770 D41/D43, 771 D41/D43

Ref. No.	Part No. For Ordering	Description	Amt. Req.
1	603333 *	Wire Harness cpl. Nos. 603335, 603257 and 603267	
2	603335	Amphenol Plug	
3	603257	Electric Terminal Socket	2
4	603267	Electric Terminal	
5	500433-850	Electric Terminal Socket Screw	
6	500433-850	Electric Terminal Screw	
7	603212	Cable Clamp (small)	
8	603287	Cable Clamp (large)	
9	513113	Needle Thread Tension Release Actuating Mechanism Cpl. Nos. 513269, 513264 and 603332	
10	603332	Solenoid with two nuts	
11	500434-850	Cable Clamp (small) Securing Screw	
12	202603	Cable Clamp (small) Securing Screw Washer	
13	173-850	Cable Clamp (large) Securing Screw	
14	513269	Solenoid Spring	
15	513264	Thread Tension Connecting Rod	
16	603334	Cable Harness Retainer	
*	603407	Wire Harness cpl. for Japan only	
17	500507	Arm Seal Screw (Only for 770-771 UTT)	



Parts List for 770 D41/D43. 771 D41/D43

Ref. No.	Part No. For Ordering	Description	Amt. Reg.
1	513063	Face Plate with Wiper Driving Mechanism cpl.	
2	513064	Face Plate cpl.	
3	513115	Take-up Guard	2
4	000691	Screw (Slotted)	
5	513068	Solenoid Cover	
6	512946	Closing Plug	
7	513082	Solenoid Mounting Bracket cpl.	2
8	513065	Mounting Bracket with Spring cpl.	
9	603313	Solenoid cpl.	
10	513075	Washer	
11	000233-850	Screw (Slotted)	
12	500453-833	Screw (Slotted)	2
13	050253-850	Screw (Slotted)	
14	513069	Pull Rod	
15	513070	Angle Bracket	
16	603265	Terminal	
17	500433-850	Screw (Slotted)	
18	513077	Angle Plate	
19	500434-850	Screw (Slotted)	
20	513071	Guide Angle	
21	500500-850	Hinge Screw	
22	513076	Tension Spring	2
23	050253-850	Screw (Slotted)	3
24	000122-850	Screw (Slotted)	3
25	512793	Rubber-Cork Washer	
26	513110	Bracket with Wiper cpl. for 770/771 D 43	
26	513105	Bracket with Wiper cpl. for 770/771 D 41	
27	350719-869	Screw (Hexagon) (for D 41 and D 43)	2
28	500473-850	Hinge Screw (for D 41 and D 43)	
29	050579-850	Screw (Slotted) (for D 41 and D 43)	
30	513106	Double Lever (for D 41 and D 43)	
31	513107	Wiper for 770/771 D 41	
32	513109	Wiper for 770/771 D 43	



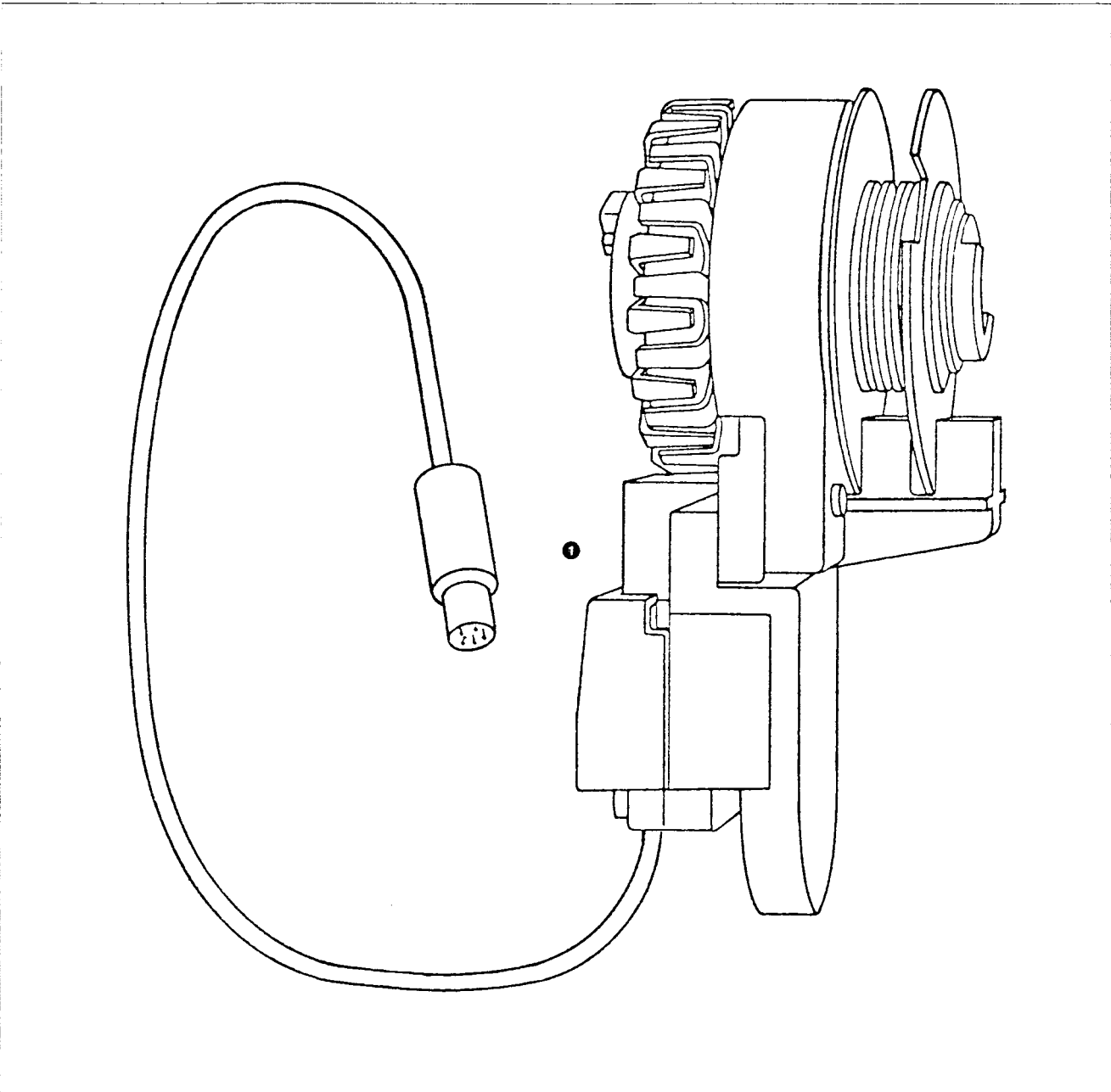
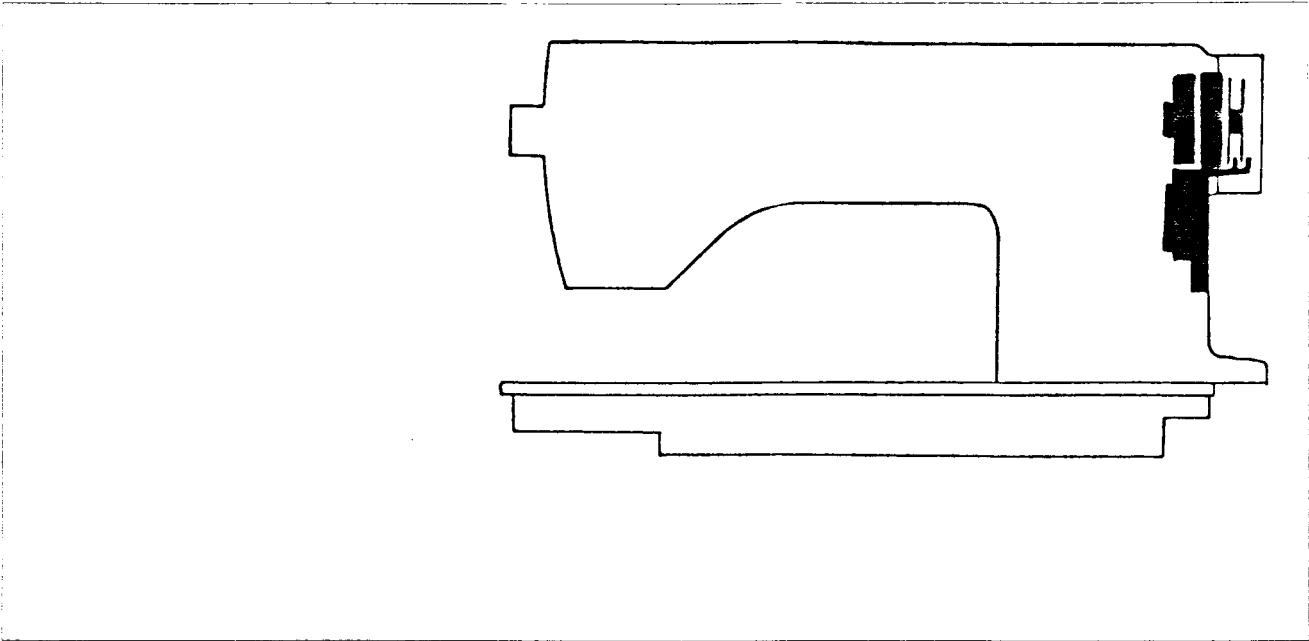
1. SW 2000
 2. SW 2000
 3. SW 2000
 4. SW 2000

Parts List for 770 D41/D43, 771 D41/D43

Ref. No.	Part No. For Ordering	Description	Amt. Req.
1	603509	Commutator Sensor (Synchronizer) cpl.	

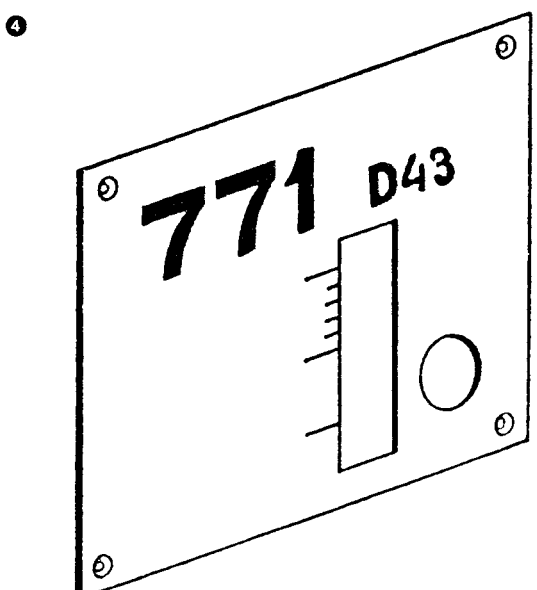
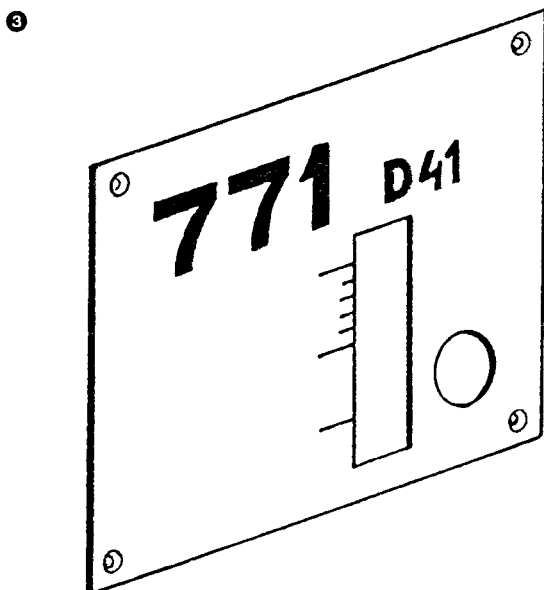
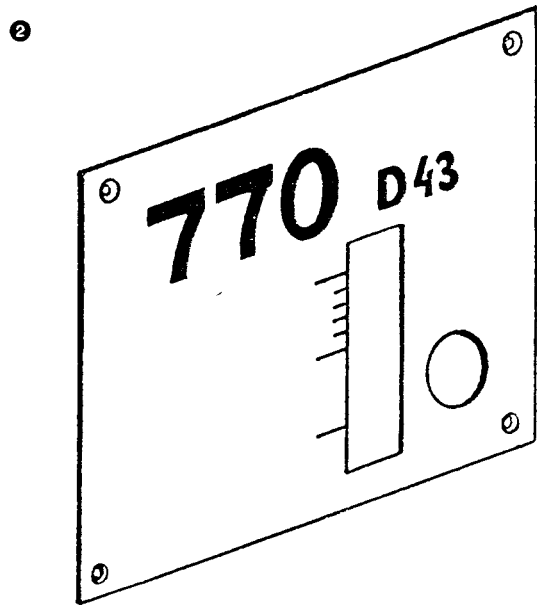
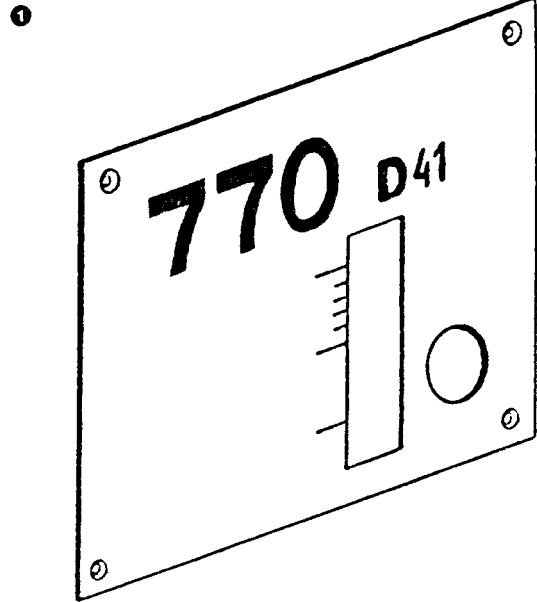
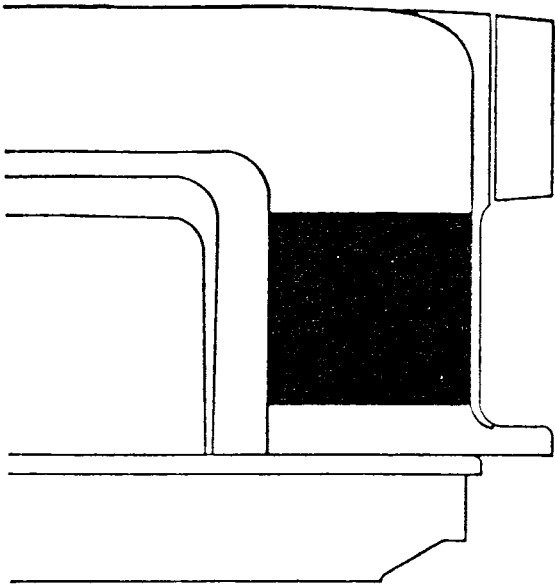
EP-1-2 - 1500T 2041-01
115148

SENSOR FOR USE WITH K83 1/0702
115148



Parts List for 770 D41/D43, 771 D41/D43

Ref. No.	Part No. For Ordering	Description	Amt. Req.
1	513247	Machine Class Indicator Plate (Nameplate D 41) 770	
2	513248	Machine Class Indicator Plate (Nameplate D 43) 770	
3	513251	Machine Class Indicator Plate (Nameplate D 41) 771	
4	513252	Machine Class Indicator Plate (Nameplate D 43) 771	



Accessories for Class 770 D41/D43, 771 D41 D43
Supplied with machine

Ref. No.	Part No.	Description	Amt.
	For Ordering		Req.
1	513258	Adjusting Gauge	

