

Form U3474 (185)  
Part No. 409839-002  
Printed in Japan

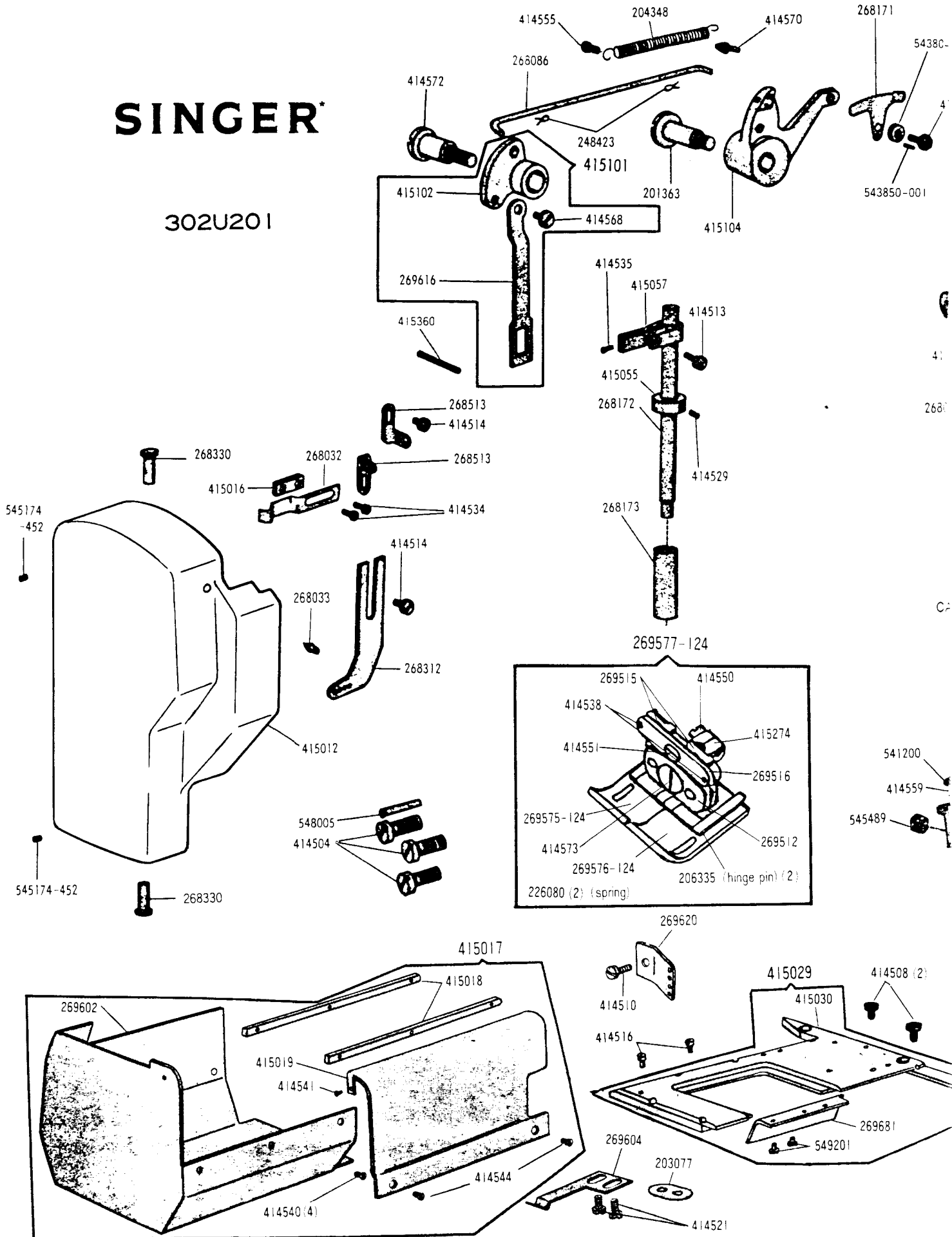
# **MACHINE PARTS CHART** **for** **SINGER\***

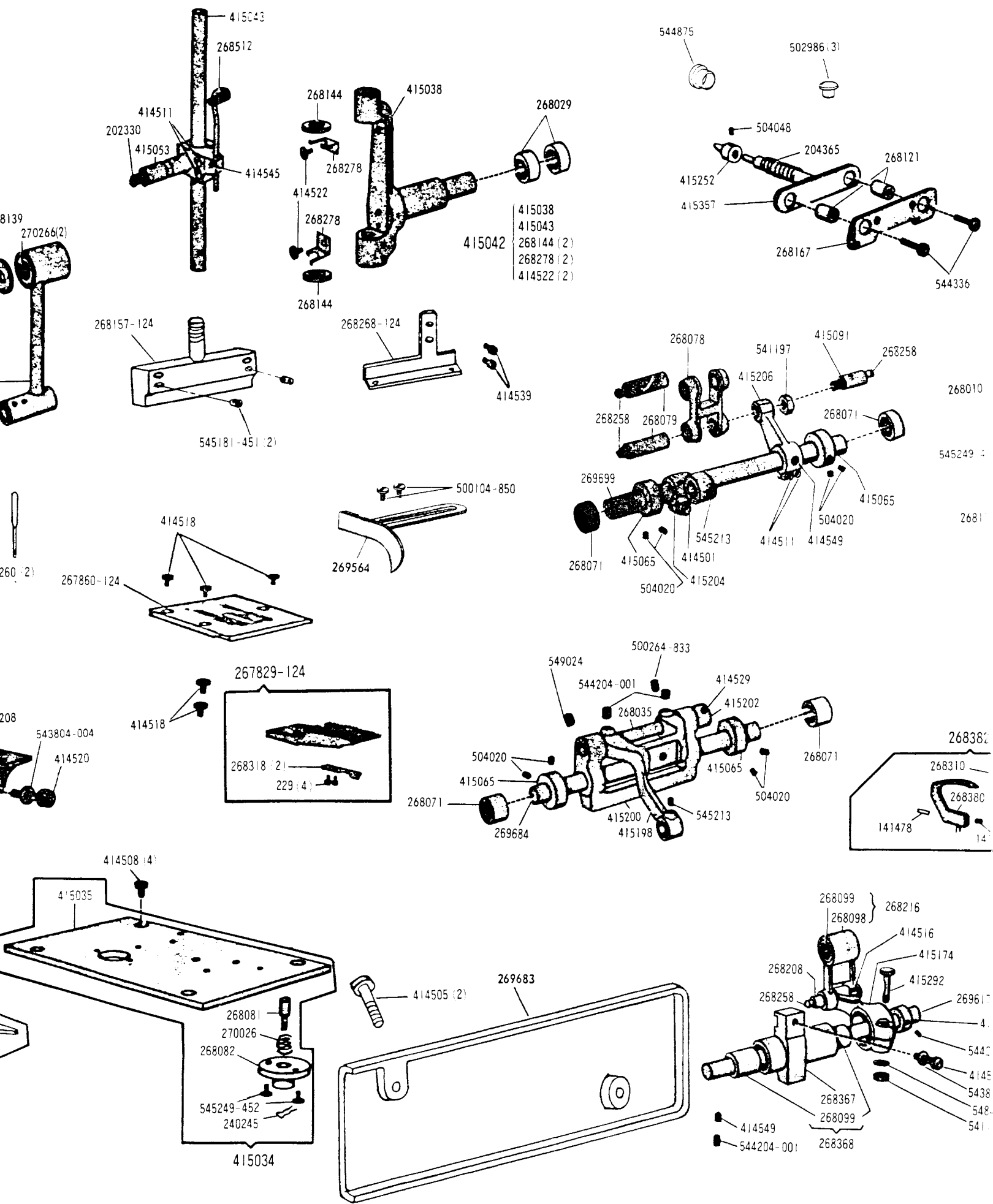
## **302<sub>U201</sub>**

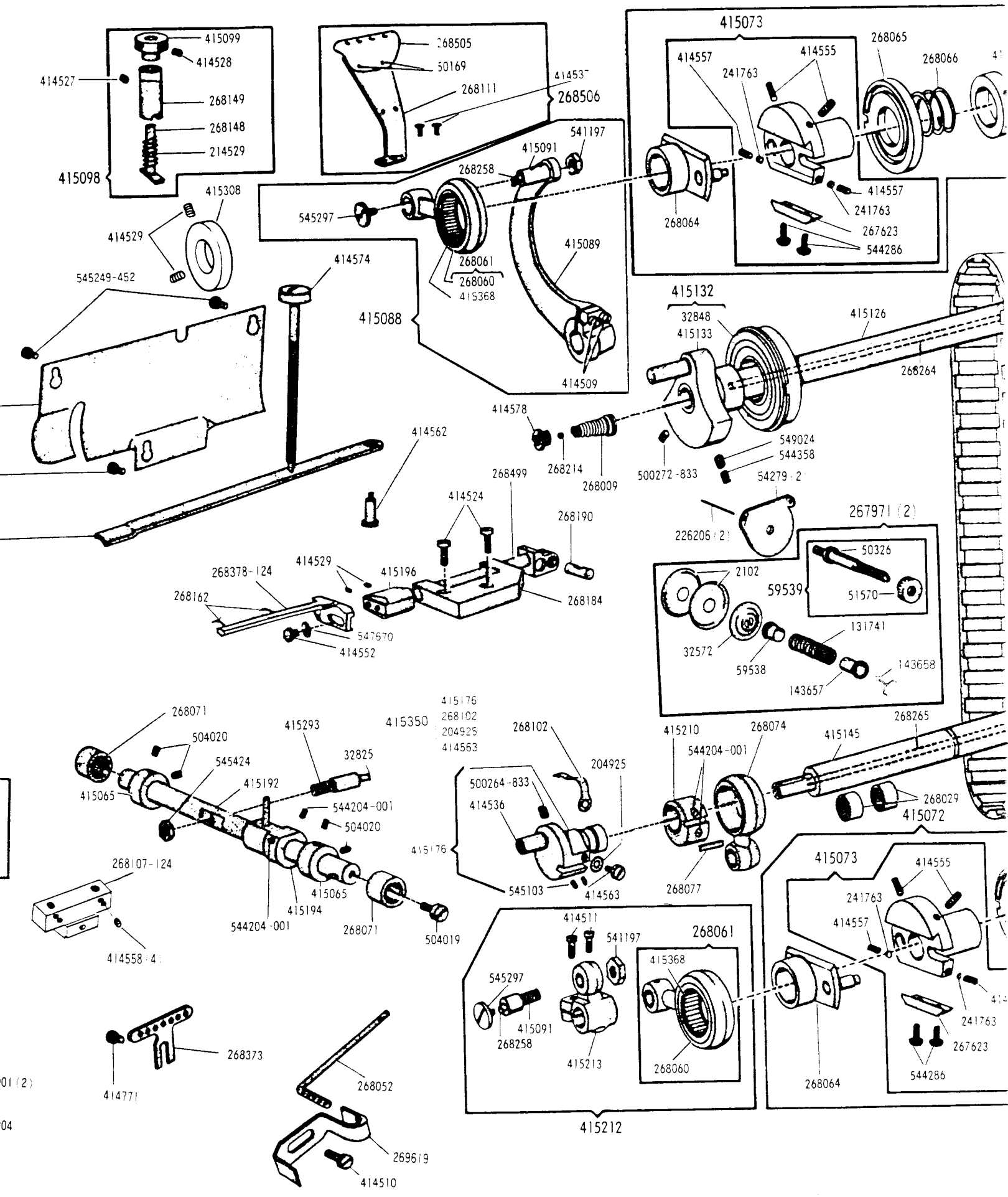
\* A Trademark of THE SINGER COMPANY  
Copyright © 1985 THE SINGER COMPANY  
All Rights Reserved Throughout The World

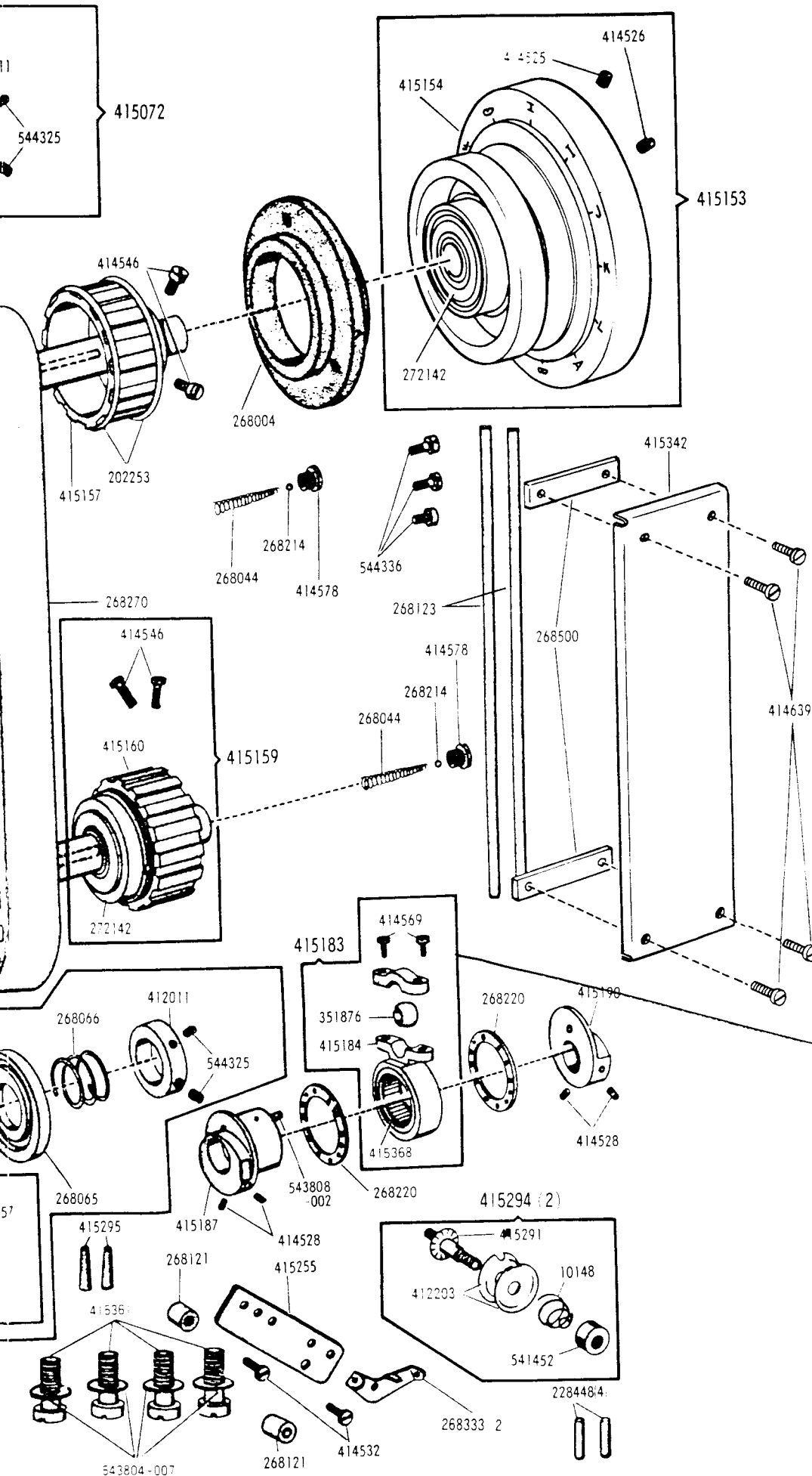
# SINGER

## 302U201









*This part is now fitted with pressed-in Spherical br., to Carb. - 415183 remains P/N. but new br P/N. is 281248.*

**NUMERICAL LIST OF PARTS 302U201 MACHINE**

PART NO.	DESCRIPTION	PART NO.	DESCRIPTION
229	Loop Deflector Screw (4)	268121	Looper Thread Tension Bracket Spacing Collar (2)
2102	Needle Thread Tension Disc (4)	268121	Needle Thread Tension Bracket Spacing Collar (2)
10148	Looper Thread Tension Spring (2)	268123	Looper Thread Tube (2)
32572	Needle Thread Tension Releasing Disc (2)	268139	Needle Bar Connecting Link Cap Washer
32825	Spreader Driving Rock Shaft Screw Stud Oil Packing (wick)	268144	Needle Bar Oiling Felt (2)
32848	Arm Shaft Ball Bearing (front)	268148	Needle Bar Rock Frame Regulating Stud
50169	Looper Thread Guide (top of arm) Bracket Screw (2)	268149	Needle Bar Rock Frame Regulating Stud Sleeve
50326	Needle Thread Tension Stud (2)	268157-124	Needle Holder with two 545181-451
51570	Needle Thread Tension Thumb Nut (2)	268162	Spreader Point (2)
54279	Needle Thread Tension Thread Guide (double) (2)	268167	Needle Thread Tension Bracket
59538	Needle Thread Tension Spring Bushing (back) (2)	268171	Needle Thread Tension Releasing Plate (adjustable)
59539	Needle Thread Tension Stud 50326 with 51570 (2)	268172	Presser Bar
131741	Needle Thread Tension Spring (2)	268173	Presser Bar Bushing
141478	Needle Guard Set Screw (back) (2)	268176	Presser Bar Spring
141494	Needle Guard Set Screw (front) (2)	268184	Spreader Bar Bracket
143657	Needle Thread Tension Spring Bushing (front) (2)	268190	Spreader Driving Pin
143658	Needle Thread Tension Thumb Nut Locking Spring (2)	268208	Looper Carrier Crank Hinge Pin with 268258
201363	Foot Lifter Lever Hinge Screw	268214	Arm Shaft Oil Stop Ball 5/32 in. Diam. (2)
202253	Arm Shaft Connection Belt Pulley Spring Flange (2)	268214	Bed Shaft Oil Stop Ball
202330	Needle Bar Connecting Stud Oil Packing (wick)	268216	Looper Driving Connection 268098 with 268099
203077	Bed (elliptical) Cover Lock Spring Screw Washer	268220	Spreader Driving Eccentric Thrust Washer (2)
204348	Foot Lifter Lever Spring	268258	Feed Driving Connection Hinge Stud Oil Packing (wick)
204365	Needle Thread Tension Releaser Spring	268258	Feed Lifting Link Hinge Pin Oil Packing (wick) (2)
204925	Looper Driving Crank Oil Hole Cover Screw Washer	268258	Looper Carrier Crank Hinge Pin Oil Packing (wick)
206335	Presser Foot Plate Hinge Pin (2)	268258	Needle Bar Rock Frame Driving Connection Hinge Stud Oil Packing (wick)
214529	Needle Bar Rock Frame Regulating Stud Spring	268258	Feed Lifting Connection Hinge Stud Oil Packing (wick)
226080	Presser Foot Plate Spring (2)	268264	Arm Shaft Oil Control Rod (wood)
226206	Needle Thread Tension Releasing Pin (2)	268265	Bed Shaft Oil Control Rod (wood)
228448	Machine Locating Stud (4)	268268-124	Needle Bar Rock Frame Thread Guide with two 414539
240215	Feed Regulating Stud Retaining Spring	268270	Arm Shaft Connection Belt (reinforced neoprene)
241763	Feed Driving Eccentric Friction Plate Screw Set Screw Packing (brass) (2)	268278	Needle Bar Oiling Felt Holder (2)
241763	Needle Bar Rock Frame Driving Eccentric Friction Plate Screw Set Screw Packing (brass) (2)	268310	Needle Guard (2)
248423	Foot Lifter Lever Rod Cotter Pin (2)	268312	Needle Thread Guide (on arm head)
267623	Feed Driving Eccentric Friction Plate	268318	Loop Deflector (2)
267623	Needle Bar Rock Frame Driving Eccentric Friction Plate	268330	Face Plate Hinge Stud (2)
267829-124	Feed Dog (teeth cut 15 to the inch) with two 268318 and four 229 for 267860-124	268333	Looper Thread Tension Thread Guide (2)
267860-124	Throat Plate	268367	Looper Carrier
267971	Needle Thread Tension complete, Nos. 32572, 59538, 59539, 131741, 143657, 143658 and two 2102 (2)	268368	Looper Carrier 268367 with two 268099
268904	Arm Shaft Ball Bearing (back) Housing	268373	Looper Thread Guide (on bed at looper) for all gauges from 3/16 to 2 inches
268909	Arm Shaft Oil Stop Ball Spring (front)	268378-124	Spreader with two 268162
268910	Arm Side Cover	268380	Looper with 141478 and 141494 (2)
268929	Bed Shaft Needle Bearing (2)	268382	Looper and Needle Guard complete, Nos. 268310 and 268380 (2)
268929	Needle Bar Rock Frame Needle Bearing (2)	268499	Spreader Bar complete
268932	Face Plate Lock Spring	268500	Looper Thread Tube Gasket (2)
268933	Face Plate Lock Stud	268505	Looper Thread Guide (top of arm)
268935	Feed Bar Hinge Pin	268506	Looper Thread Guide (top of arm) Bracket 268111 with 268505 and two 50169
268944	Arm Shaft Oil Stop Ball Spring (rear)	268512	Needle Thread Guide (on needle bar connecting stud)
268952	Bed Shaft Oil Stop Ball Spring	268513	Needle Thread Guide (on side of arm and arm head) (2)
268956	Looper Thread Take-up Rod	269512	Presser Foot Connection Lever
268956	Needle Bar Connecting Link with two 270266	269515	Presser Foot Plate Shank complete (2)
268960	Feed Driving Connection	269564	Presser Foot Shank Guide Plate
268960	Needle Bar Rock Frame Driving Connection	269575-124	Edge Guide
268961	Feed Driving Connection 268060 with 415368	269576-124	Presser Foot Plate (left)
268961	Needle Bar Rock Frame Driving Connection 268060 with 415368	269577-124	Presser Foot Plate (right)
268964	Feed Driving Eccentric	269602	Presser Foot (hinged compensating) complete, Nos. 269512, 269516, 269575-124, 269576-124, 414551, 414573, 415274, two each 206335, 226080, 269515 and 414538
268964	Needle Bar Rock Frame Driving Eccentric	269604	Bed (elliptical) Cover with Lock Stud
268965	Feed Driving Eccentric Adjusting Disc	269616	Bed (elliptical) Cover Lock Spring
268965	Needle Bar Rock Frame Driving Eccentric Adjusting Disc	269617	Foot Lifter Lifting Link
268966	Feed Driving Eccentric Adjusting Disc Spring	269619	Looper Carrier Shaft
268966	Needle Bar Rock Frame Driving Eccentric Adjusting Disc Spring	269620	Looper Thread Guide (on front)
268971	Feed Driving Rock Shaft Needle Bearing (2)	269681	Looper Thread Guide (on Bed) (under cover)
268971	Feed Lifting Rock Shaft Needle Bearing (2)	269683	Bed Plate (left) Guard
268971	Spreader Driving Rock Shaft Needle Bearing (2)	269684	Bed Side Cover (back)
268974	Feed Lifting Connection	269699	Feed Driving Rock Shaft
268977	Feed Lifting Eccentric Lubricating Pad (wood)	270026	Feed Lifting Rock Shaft
268978	Feed Lifting Link	270266	Feed Regulating Stud Spring
268979	Feed Lifting Link Hinge Pin with 268258 (2)	272142	Needle Bar Connecting Link Needle Bearing (2)
268981	Feed Regulating Stud	272142	Arm Shaft Ball Bearing (back)
268982	Feed Regulating Stud Socket	351876	Bed Shaft Ball Bearing
268986	Foot Lifter Lever Rod	412011	Spreader Driving Rock Shaft Screw Stud Ball Roller
268998	Looper Driving Connection	412011	Feed Driving Eccentric Adjusting Disc Spring Collar with two 544325
268999	Looper Carrier Needle Bearing (2)	412203	Needle Bar Rock Frame Driving Eccentric Adjusting Disc Spring Collar with two 544325
268999	Looper Driving Connection Needle Bearing	414501	Looper Thread Tension Disc (4)
268102	Looper Driving Crank Oil Hole Cover	414501	Feed Lifting Crank Pinch Screw
268107-124	Looper Holder with four 414558	414504	Arm Head Screw (3)
268111	Looper Thread Guide (top of arm) Bracket		

**NUMERICAL LIST OF PARTS 302U201 MACHINE**

<b>PART NO.</b>	<b>DESCRIPTION</b>	<b>PART NO.</b>	<b>DESCRIPTION</b>
414505	Bed Side Cover (back) Screw (2)	415030	Bed Plate (left)
414508	Bed Plate (left) Screw (2)	415034	Bed Plate (right) 415035 with 240245, 268081, 268082, 270026 and two 545249-452
414508	Bed Plate Screw (4)	415035	Bed Plate (right)
414509	Needle Bar Rock Frame Driving Arm Pinch Screw (2)	415038	Needle Bar Rock Frame
414510	Looper Thread Guide (on Bed) (under cover) Screw	415042	Needle Bar Rock Frame 415038 with 415043, two each 268144, 268278 and 414522
414510	Looper Thread Guide Screw		
414511	Feed Driving Rock Shaft Crank Pinch Screw (2)	415043	Needle Bar
414511	Feed Lifting Rock Shaft Crank Pinch Screw (2)	415053	Needle Bar Connecting Stud with 202330, 414545 and two 414511
414511	Needle Bar Connecting Stud Pinch Screw (2)		
414513	Presser Bar Guide Bracket Pinch Screw	415055	Presser Bar Stop Collar with 414529
414514	Needle Thread Guide Screw (2)	415057	Presser Bar Guide Bracket with 414513 and 414535
414516	Bed Plate (left) Screw (2)	415065	Feed Driving Rock Shaft Collar with two 504020 (2)
414516	Looper Carrier Crank Hinge Pin Pinch Screw	415065	Feed Lifting Rock Shaft Collar with two 504020 (2)
414517	Needle Bar Connecting Link Cap Washer Screw	415065	Spreader Driving Rock Shaft Collar with two 504020 (2)
414518	Feed Dog Screw (2)		
414518	Throat Plate Screw (3)	415072	Feed Driving Eccentric complete, Nos. 268064, 268065, 268066, 412011 and 415073
414520	Feed Dog Shank Screw	415072	Needle Bar Rock Frame Driving Eccentric complete, Nos. 268064, 268065, 268066, 412011 and 415073
414521	Bed (elliptical) Cover Lock Spring Screw (2)	415073	Feed Driving Eccentric Flange with 267623, two each 241763, 414555, 414557 and 544286
414522	Needle Bar Oiling Felt Holder Screw (2)	415073	Needle Bar Rock Frame Driving Eccentric Flange with 267623, two each 241763, 414555, 414557 and 544286
414524	Spreader Bar Bracket Screw (2)	415088	Needle Bar Rock Frame Driving Arm 415089 with 268061, 415091, 541197 and 545297
414525	Machine Pulley Set Screw	415089	Needle Bar Rock Frame Driving Arm with two 414509
414526	Machine Pulley Position Screw	415091	Feed Driving Connection Hinge Stud with 268258
414527	Needle Bar Rock Frame Regulating Stud Sleeve Set Screw	415091	Feed Lifting Connection Hinge Stud with 268258
414528	Needle Bar Rock Frame Regulating Stud Cap Set Screw	415091	Needle Bar Rock Frame Driving Connection Hinge Stud with 268258
414528	Spreader Driving Eccentric Set Screw (2)	415098	Needle Bar Rock Frame Regulating Stud complete, Nos. 214529, 268148, 268149 and 415099
414528	Spreader Driving Eccentric Counterbalance Set Screw (2)	415099	Needle Bar Rock Frame Regulating Stud Cap with 414528
414529	Feed Bar Hinge Pin Collar Set Screw	415101	Foot Lifter Bell Crank 415102 with 269616 and 414568
414529	Lifting Eccentric Spacing Collar Screw (2)	415102	Foot Lifter Bell Crank
414529	Presser Bar Stop Collar Set Screw	415104	Foot Lifter Lever with 543850-001
414529	Spreader Holder Set Screw (2)	415126	Arm Shaft with 268009, 268044, 268264, two each 268214 and 414578
414531	Needle Thread Tension Releasing Plate Screw	415132	Needle Bar Crank 415133 with 32848
414532	Looper Thread Tension Bracket Screw (2)	415133	Needle Bar Crank with 500272-833, 544358 and 549024
414534	Face Plate Lock Spring Screw (2)	415145	Bed Shaft with 268044, 268214, 268265 and 414578
414535	Presser Bar Guide Bracket Adjusting Screw	415153	Machine Pulley 415154 with 272142
414536	Looper Driving Crank Oil Stop Screw	415154	Machine Pulley (aluminum alloy casting) for "V" Belt (outside diam. of belt groove 2.9 in.) with 414525 and 414526
414537	Looper Thread Guide (top of arm) Bracket Screw (2)	414157	Arm Shaft Connection Belt Pulley with two each 202253 and 414546
414538	Presser Foot Bracket Guide Screw (2)	415159	Bed Shaft Connection Belt Pulley 415160 with 272142
414539	Needle Bar Rock Frame Thread Guide Screw (2)	415160	Bed Shaft Connection Belt Pulley with two 414546
414540	Bed (elliptical) Cover Slide Bar Screw (4)	415172	Looper Carrier Shaft Collar with two 544204-001
414541	Bed (elliptical) Cover Section (front) Screw (upper)	415174	Looper Carrier Crank with 414516
414544	Bed (elliptical) Cover Section (front) Screw (lower) (2)	415176	Looper Driving Crank complete, Nos. 414536, 500264-833 and two 545103
414545	Needle Thread Guide (on needle bar connecting stud) Set Screw	415183	Spreader Driving Connection 415184 with 351876 and 415368
414546	Arm Shaft Connection Belt Pulley Set Screw (2)	415184	Spreader Driving Connection with two 414569
414546	Bed Shaft Connection Belt Pulley Set Screw (2)	415187	Spreader Driving Eccentric with 543808-002 and two 414528
414549	Feed Lifting Rock Shaft Crank Position Screw	415190	Spreader Driving Eccentric Counterbalance with two 414528
414549	Looper Carrier Shaft Set Screw	415192	Spreader Driving Rock Shaft with 504019
414550	Presser Foot Bracket Pinch Screw	415194	Spreader Driving Crank with two 544204-001
414551	Presser Foot Shank Guide Plate Hinge Screw	415196	Spreader Holder with two 414529
414552	Spreader Screw	415198	Feed Bar with 545213 and two 544204-001
414553	Looper Holder Screw	415200	Feed Driving Rock Frame with 500264-833 and 549024
414555	Feed Driving Eccentric Flange Set Screw (2)	415202	Feed Bar Hinge Pin Collar with 414529
414555	Needle Bar Rock Frame Driving Eccentric Flange Set Screw (2)	415204	Feed Lifting Crank with 414501 and 545213
414555	Presser Bar Spring Adjusting Screw Set Screw	415206	Feed Lifting Rock Shaft Crank with 414549 and two 414511
414557	Feed Driving Eccentric Friction Plate Screw Set Screw (2)	415208	Feed Dog Shank with 414559 and 541200
414557	Needle Bar Rock Frame Driving Eccentric Friction Plate Screw Set Screw (2)	415210	Feed Lifting Eccentric with 268077 and two 544204-001
414558	Looper Set Screw (4)	415212	Feed Driving Rock Shaft Crank 415213 with 268061, 415091, 541197 and 545297
414559	Feed Dog Shank Adjusting Screw	415213	Feed Driving Rock Shaft Crank with two 414511
414562	Presser Bar Spring Support Screw	415252	Needle Thread Tension Releaser Cap with 504048
414563	Looper Driving Crank Oil Hole Cover Screw	415255	Looper Thread Tension Bracket
414568	Foot Lifter Lifting Link Hinge Screw	415274	Presser Foot Bracket with 414550
414569	Spreader Driving Connection Cap Screw (2)	415291	Looper Thread Tension Stud (2)
414570	Foot Lifter Lever Spring Screw Eye	415292	Looper Carrier Crank Clamping Stud
414572	Foot Lifter Bell Crank Hinge Screw		
414573	Presser Foot Connection Lever Hinge Screw		
414574	Presser Bar Spring Adjusting Screw		
414578	Arm Shaft Oil Stop Ball Screw (2)		
414578	Bed Shaft Oil Stop Ball Screw		
414639	Looper Thread Tube Cover Screw (4)		
414771	Looper Thread Guide Screw		
415012	Face Plate with 268033 and two 545174-452		
415016	Face Plate Lock Spring Plate		
415017	Bed (elliptical) Cover complete, Nos. 269602, 414541, 415019, two each 414544, 415018 and four 414540		
415018	Bed (elliptical) Cover Slide Bar (2)		
415019	Bed (elliptical) Cover Section (front)		
415029	Bed Plate (left) and Guard complete, Nos. 269681, 415030 and two 549201		

**NUMERICAL LIST OF PARTS 302U201 MACHINE**

<b>PART NO.</b>	<b>DESCRIPTION</b>	<b>PART NO.</b>	<b>DESCRIPTION</b>
415293	Spreader Driving Rock Shaft Screw Stud with 32825	415377	Threader Wire
415294	Looper Thread Tension complete, Nos. 10148, 415291 541452 and two 412203 (2)	415941-452	Thread Unwinder complete
415295	Arm Position Pin (2)	543162	Tweezers
415308	Lifting Eccentric Spacing Collar with two 414529	546923	Oiler with Oil Spout
415342	Looper Thread Tube Cover	Cat. No. 3260	Needles (62 x 57) Size 22 (6)
415350	Looper Driving Crank 415176 with 204925, 268102 and 414563		
415357	Needle Thread Tension Releaser		<b>MACHINE BASE</b>
415360	Foot Lifter Lifting Link Stop Pin	222509	Machine Base Side Cover Hinge Pin (2)
415361	Arm Screw (4)	228444	Machine Cushion (Neoprene) (4)
415368	Needle Bar Rock Frame Driving Connection Needle Bearing	228661	Machine Base Side Cover Cushion (Neoprene)
415368	Spreader Driving Connection Needle Bearing	228831	Machine Base with four 228444
415368	Feed Driving Connection Needle Bearing	228832	Machine Base Side Cover
500104-850	Edge Guide Screw (2)	228833	Machine Base Side Cover Spring
500264-833	Looper Driving Crank Set Screw	228834	Machine Base complete, Nos. 228661, 228831, 228832, 228833, two each 222509, 414508, 414580, 500067-833, 500785-850 and 548459
500264-833	Feed Driving Rock Frame Set Screw	414508	Machine Base Side Cover Spring Set Screw (2)
500272-833	Needle Bar Crank Set Screw	414580	Machine Base Side Cover Hinge Stud (2)
502986	Arm Head Plug (3)	500067-833	Machine Base Side Cover Hinge Pin Set Screw (2)
504019	Looper Thread Take-up Rod Set Screw	500785-850	Machine Base Side Cover Hinge Stud Nut (2)
504020	Feed Driving Rock Shaft Collar Set Screw (4)	548459	Machine Base Side Cover Hinge Stud Washer (2)
504020	Feed Lifting Rock Shaft Collar Set Screw (4)		
504020	Spreader Driving Rock Shaft Collar Set Screw (4)		
504048	Needle Thread Tension Releaser Cap Set Screw		
541197	Feed Driving Connection Hinge Stud Nut		
541197	Feed Lifting Connection Hinge Stud Nut		
541197	Needle Bar Rock Frame Driving Connection Hinge Stud Nut		
541198	Looper Carrier Crank Clamping Stud Nut	415445	Belt Guard Complete
541200	Feed Dog Shank Adjusting Screw Lock Nut		
541452	Looper Thread Tension Thumb Nut (2)		
543804-004	Feed Dog Shank Screw Washer		
543804-004	Looper Holder Screw Washer		
543804-004	Needle Thread Tension Releasing Plate Screw Washer		
543804-007	Arm Screw Washer (4)		
543808-002	Spreader Driving Eccentric Pin		
543850-001	Needle Thread Tension Releasing Plate Pin		
544204-001	Feed Lifting Eccentric Set Screw (2)		
544204-001	Feed Bar Set Screw (2)		
544204-001	Spreader Driving Crank Set Screw (2)		
544204-001	Looper Carrier Shaft Set Screw Check Screw		
544204-001	Looper Carrier Shaft Collar Set Screw (2)		
544286	Feed Driving Eccentric Friction Plate Screw (2)		
544286	Needle Bar Rock Frame Driving Eccentric Friction Plate Screw (2)		
544325	Feed Driving Eccentric Adjusting Disc Spring Collar Set Screw (2)		
544325	Needle Bar Rock Frame Driving Eccentric Adjusting Disc Spring Collar Set Screw (2)		
544336	Needle Thread Tension Bracket Screw (2)		
544358	Needle Bar Crank Position Screw Check Screw		
544875	Arm Plug		
545103	Looper Driving Crank Position Screw (2)		
545174-452	Face Plate Hinge Stud Set Screw (2)		
545181-451	Needle Set Screw (2)		
545213	Feed Lifting Link Hinge Pin Set Screw (2)		
545249-452	Arm Side Cover Screw (3)		
545249-452	Feed Regulating Stud Socket Screw (2)		
545297	Feed Driving Connection Cap Screw		
545297	Needle Bar Rock Frame Driving Connection Cap Screw		
545424	Spreader Driving Rock Shaft Screw Stud Nut		
545489	Feed Dog Shank Screw Lock Nut		
547670	Spreader Screw Washer		
548005	Arm Head Position Pin		
548459	Looper Carrier Crank Clamping Stud Washer		
549024	Feed Driving Rock Frame Position Screw		
549024	Needle Bar Crank Position Screw		
549201	Bed Plate (left) Guard Screw (2)		
CAT. 3260	Needle (#22) (2)		

**ACCESSORIES**

21887	Wrench
41401	Machine Rest Pin (wood)
131265	Machine Base Oil Drain Jar Extension Pipe (Male)
131266	Machine Base Oil Drain Jar Extension Pipe (Female)
167448	Machine Base Oil Drain Jar
202784	Foot Lifter Treadle Chain Hook (2)
232365	Foot Lifter Treadle Chain, 41-1/2 inches long
268340	Looper Threading Wire
40981-002	Operator's Guide
414584	Wood Screw (for Machine Base) (3)
415347	Oiler Nozzle and Tube Assembly