

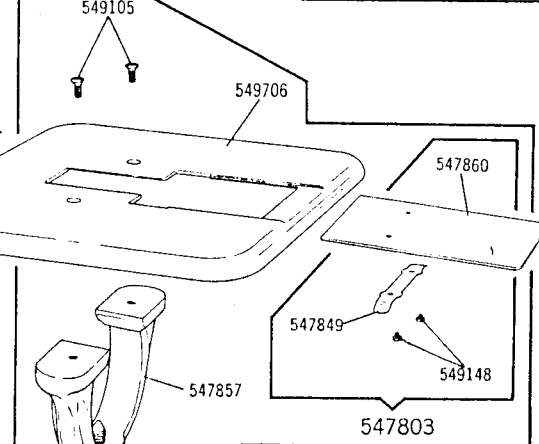
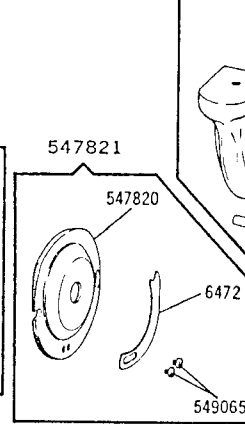
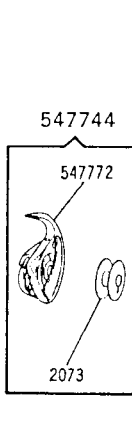
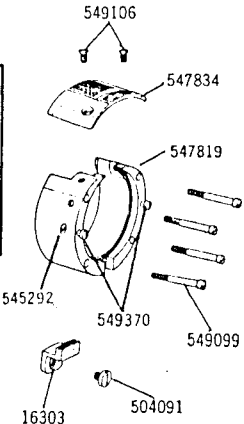
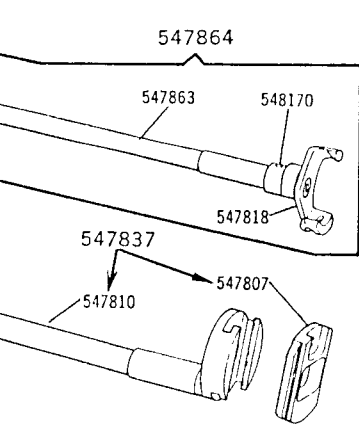
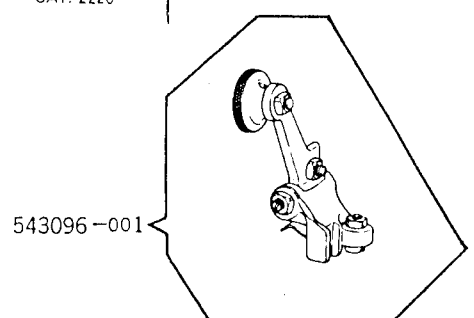
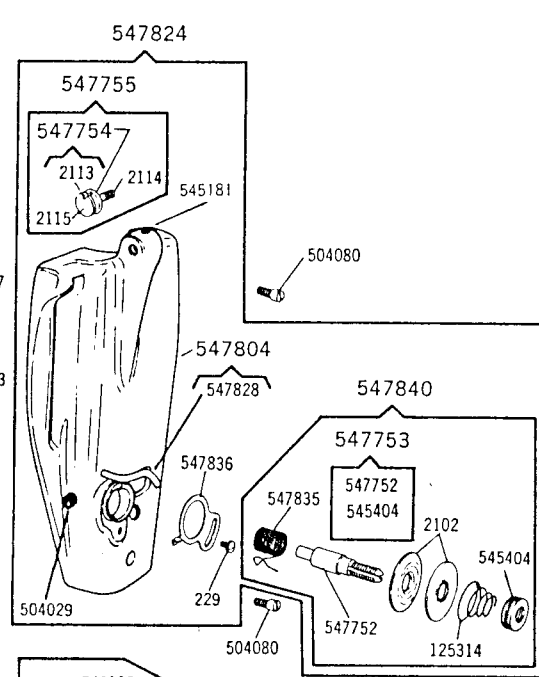
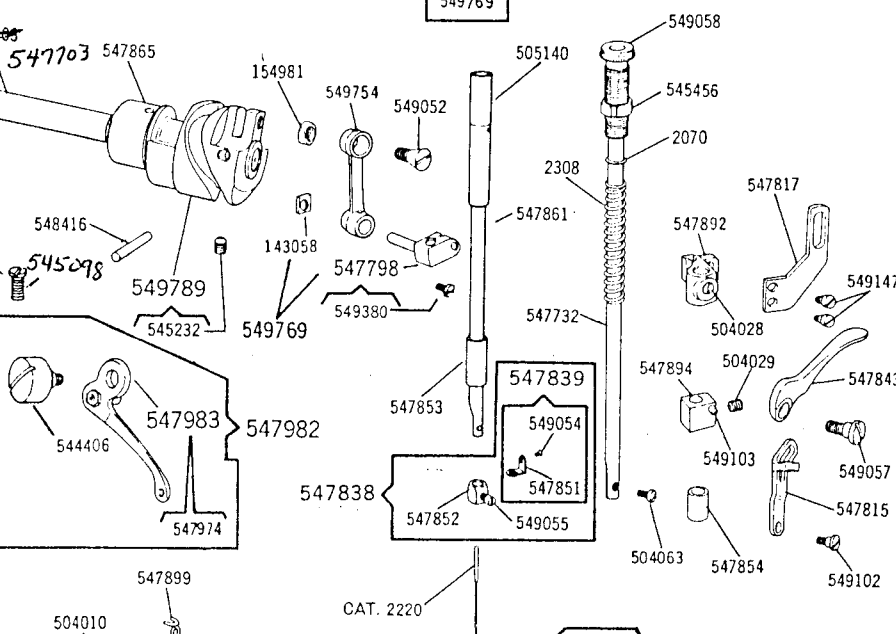
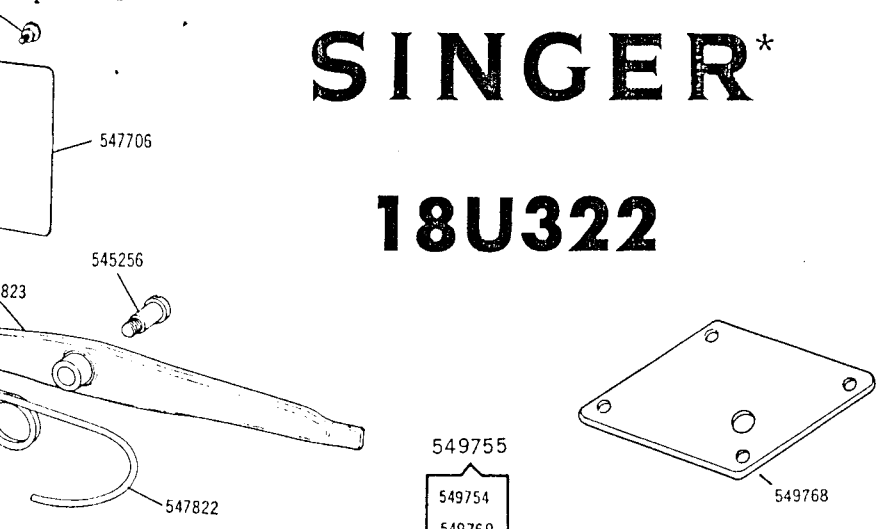
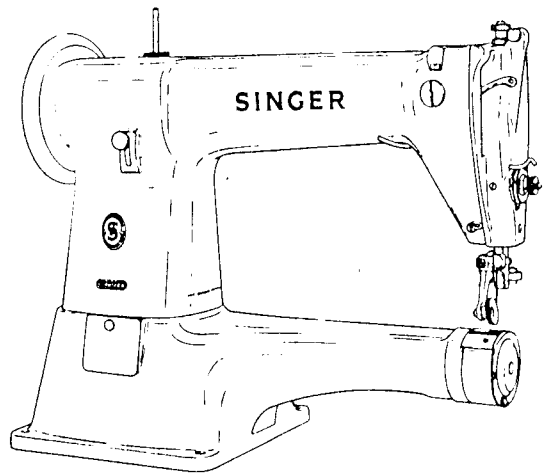
MACHINE PARTS CHART
for
SINGER*
18U322

* A Trademark of THE SINGER COMPANY
Copyright © 1982 THE SINGER COMPANY
All Rights Reserved Throughout the World

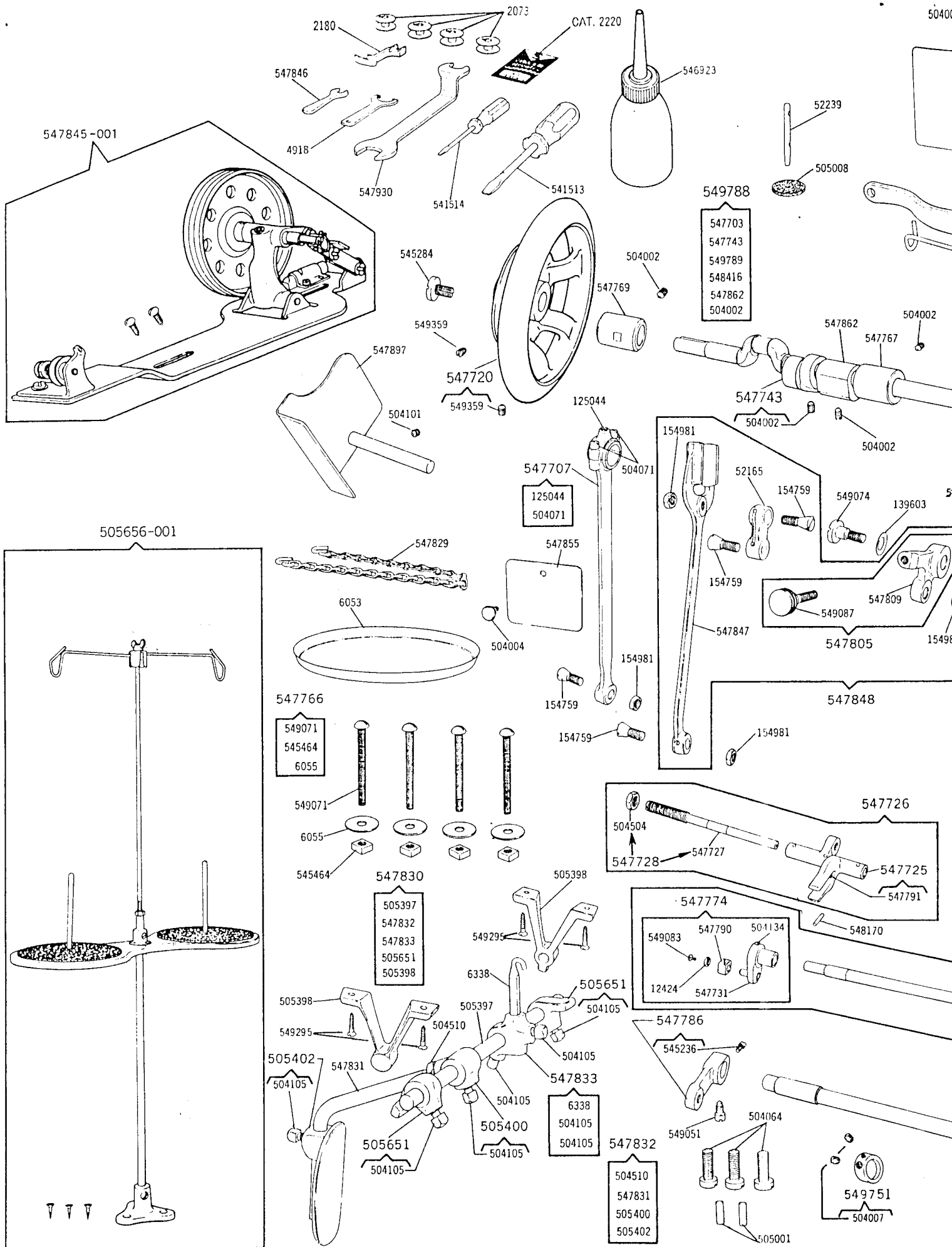
MADE IN JAPAN

SINGER*

18U322



547808
OPTIONAL PARTS



NUMERICAL LIST OF PARTS FOR MACHINE 180322

PART NO.	DESCRIPTION	PART NO.	DESCRIPTION
229 (809)	Thread Take-up Spring Regulator Plate Adjusting Screw	547767	Arm Shaft Bushing (intermediate)
2070	Presser Bar Spring Washer	547769	Arm Shaft Bushing (back)
2073	Shuttle Bobbin	547772	Shuttle Body with Cover
2102	Tension Disc (2)	547774	Oscillating Shaft Crank complete, Nos. 547731, 547790, 549083 (809), 12424 and 504134 (833)
2113	Thread Retaining Disc Steady Pin	547786	Feed Rock Shaft Crank with 545236 (803)
2114	Thread Retaining Spring	547790	Oscillating Shaft Crank Slide Block
2115	Thread Retaining Stud	547791	Oscillating Rock Shaft Oil Pad (felt)
2308	Presser Bar Spring	547798	Needle Bar Connecting Stud with 549380 (853)
6472	Shuttle Race Cap Latch	547804	Face Plate with 547828
12424	Oscillating Shaft Crank Slide Block Cap Screw	547805	Feed Regulator 547809 with 549087 (851)
16303	Washer	547807	Feed Dog Carrier
52165	Feed Dog	547809	Feed Regulator
52239	Feed Connecting Link	547810	Feed Rock Shaft
125044	Arm Spool Pin and Thread Eyelet	547815	Tension Releaser
125314	Crank Connecting Rod Oil Pad (felt)	547817	Presser Bar Lifter Bracket Lifting Plate
139603	Tension Spring	547818	Shuttle Driver and Feed Lifting Cam
154759 (850)	Feed Regulator Hinge Screw Friction Washer	547819	Shuttle Race
154759 (850)	Needle Bar Connecting Stud Slide Block	547820	Shuttle Race Cap
154759 (850)	Crank Connecting Rod Hinge Screw	547821	Shuttle Race Cap complete, Nos. 6472, 547820 and 549065 (810)
154759 (850)	Feed Connecting Link Hinge Screw (2)	547822	Lifting Lever Spring
154981 (819)	Feed Forked Connection Hinge Screw	547823	Lifting Lever
154981 (819)	Crank Connecting Rod Hinge Screw Nut	547824	Face Plate complete, Nos. 504029 (833), 545181, 547755, 547804, 547836, 547840 and 229 (809)
154981 (819)	Feed Connecting Link Hinge Screw Nut (2)	547828	Tension Thread Guard
154981 (819)	Feed Forked Connection Hinge Screw Nut	547834	Throat Plate
504002 (850)	Needle Bar Connecting Link Hinge Screw Nut	547835	Thread Take-up Spring
504002 (850)	Arm Shaft Bushing (back) Set Screw	547836	Thread Take-up Spring Regulator Plate
504002 (850)	Arm Shaft Bushing (intermediate) Set Screw	547837	Feed Rock Shaft 547810 with 547807
504002 (850)	Arm Shaft Counterbalance Set Screw	547838	Needle Clamp (body) 547852 with 549055 (858) and 547839
504004 (852)	Feed Cam Set Screw	547839	Needle Clamp Thread Guide 547851 with 549054 (851)
504004 (852)	Arm Side Cover Thumb Screw	547840	Tension complete, Nos. 125314, 547835, 547753 and two 2102
504004 (852)	Cylinder Side Cover Thumb Screw	547843	Presser Bar Lifter
504007 (850)	Feed Rock Shaft Collar Set Screw (2)	547847	Feed Forked Connection
504010 (853)	Arm Thread Eyelet Set Screw	547848	Feed Forked Connection complete, Nos. 547847, 52165, 547805 and two each 154759 (850) and 154981 (819)
504028 (803)	Presser Bar Lifter Bracket Set Screw	547851	Needle Clamp Thread Guide
504029 (833)	Tension Screw Stud Set Screw	547852	Needle Clamp (body)
504029 (833)	Tension Releaser Collar Set Screw	547853	Needle Bar Bushing (lower)
504063 (810)	Roller Presser Screw	547854	Presser Bar Bushing
504064 (805)	Arm Screw (3)	547855	Cylinder Side Cover
504071 (833)	Crank Connecting Rod Cap Screw (2)	547861	Needle Bar (holder)
504080 (851)	Face Plate Screw (2)	547862	Arm Shaft Counterbalance
504091 (803)	Feed Dog Screw	547864	Oscillating Shaft
504101 (830)	Belt Safety Guard Shaft Set Screw	547865	Oscillating Shaft 547863 with 547774, 547818 and 548170
504134 (833)	Oscillating Shaft Crank Set Screw	547866	Arm Shaft Bushing (front)
504504 (819)	Oscillating Rock Shaft Hinge Pin Lock Nut	547892	Presser Bar Lifter Bracket with 504028 (803)
505001	Arm Dowel Pin (2)	547894	Tension Releaser Collar with 549103 and 504029 (833)
505008	Arm Spool Pin Washer (felt)	547897	Belt Safety Guard
505140	Needle Bar Bushing (upper)	547899	Arm Thread Eyelet
543096-001	Roller Presser Complete (1-1/4 in. fine roller)	547974	Thread Take-up Lever Roller Stud complete
544406 (850)	Thread Take-up Lever Hinge Screw	547982	Thread Take-up Lever 547983 with 544406 (850)
545098 (850)	Thread Take-up Lever Hinge Screw Set Screw	547983	Thread Take-up Lever with 547974
545181	Thread Retaining Stud Set Screw	548170	Oscillating Shaft Crank Pin
545232 (833)	Thread Take-up Cam Set Screw	548176	Shuttle Driver and Feed Lifting Cam Pin
545236 (803)	Feed Rock Shaft Crank Set Screw	549051 (803)	Thread Take-up Cam Pin
545256 (850)	Lifting Lever Hinge Screw	549052 (803)	Feed Rock Shaft Crank Position Screw
545284 (802)	Arm Shaft Screw	549054 (851)	Needle Bar Connecting Link Hinge Screw
545292 (803)	Shuttle Race Cap Screw Locking Screw (2)	549055 (858)	Needle Clamp Thread Guide Screw
545404 (852)	Tension Disc Regulating Thumb Nut	549057 (810)	Needle Clamp Screw
545456 (851)	Pressure Regulating Thumb Screw Lock Nut	549058 (851)	Presser Bar Lifter Hinge Screw
547703	Arm Shaft	549065 (810)	Pressure Regulating Thumb Screw
547706	Arm Side Cover	549074 (803)	Shuttle Race Cap Latch Screw (2)
547707	Crank Connecting Rod with 125044 and two 504071 (833)	549083 (809)	Feed Regulator Hinge Screw
547720	Machine Pulley (disc) with two 549359 (850)	549087 (851)	Oscillating Shaft Crank Slide Block Cap Screw
547725	Oscillating Rock Shaft with 547791	549099 (810)	Feed Regulator Thumb Screw
547726	Oscillating Rock Shaft complete, Nos. 547725 with 547728	549102 (810)	Shuttle Race Screw (4)
547727	Oscillating Rock Shaft Hinge Pin	549103 (810)	Tension Releaser Hinge Screw
547728	Oscillating Rock Shaft Hinge Pin 547727 with 504504 (819)		Tension Releaser Collar Screw Pin
547731	Oscillating Shaft Crank with Slide Block Screw Stud		
547732	Presser Bar		
547743	Feed Cam with 504002 (850)		
547744	Shuttle Bobbin 2073 with 547772		
547752	Tension Screw Stud		
547753	Tension Screw Stud 547752 with 545404 (856)		
547754	Thread Retaining Disc with 2113		
547755	Thread Retainer Guide complete, Nos. 547754, 2114 and 2115		

NUMERICAL LIST OF PARTS FOR MACHINE 117522

<u>PART NO.</u>	<u>DESCRIPTION</u>
549106 (806)	Throat Plate Screw (2)
549147 (803)	Presser Bar Lifter Bracket Lifting Plate Set Screw (2)
549359 (850)	Machine Pulley Set Screw (2)
549370 (810)	Shuttle Race Cap Screw (2)
549380 (853)	Needle Bar Connecting Stud Set Screw
549751	Feed Rock Shaft Collar with two 504007 (850)
549754	Needle Bar Connecting Link
549755	Needle Bar Connecting Link 549754 with 549769
549769	Needle Bar Connecting Stud 547798 with 143058
549788	Arm Shaft 547703 with 547743, 548416, 547862, 549789 and 504002 (850)
549789	Thread Take-up Cam with 545232 (833)
CAT. 2220	Needle (16x6, #10)

ACCESSORIES

(Supplied with Machine)

CAT. 2220	Needle (16x6, #10) (6)
2073	Shuttle Bobbin (4)
2180	Presser Foot
4918	Wrench (for 545456)
6053	Drip Pan
6055	Machine Bolt Washer (4)
505656-001	Thread Unwinder (for two spools) complete (Include three Wood Screw) (Purchased Assembly)
541513	Screw Driver (large)
541514	Screw Driver (small)
545464 (809)	Machine Bolt Nut (4)
546923	Oiler (Filled with Singer Type "B" Oil)
547766	Machine Bolt 549071 with 545464 and 6055 (4)
547845-001	Universal Bobbin Winder complete (Include two Wood Screw) (Purchased Assembly)
547846	Wrench (for 545454 and 545455)
547930	Wrench (for 154981)
549071 (809)	Machine Bolt (4)
549768	Machine Bed Cushion

KNEE LIFTER PARTS

(Fitted to Machine)

6338	Rock Shaft Lifting Bracket Hook
504105 (809)	Rock Shaft Knee Arm Hub Set Screw
504105 (809)	Rock Shaft Knee Plate Set Screw
504105 (809)	Rock Shaft Lifting Bracket Hook Set Screw
504105 (809)	Rock Shaft Lifting Bracket Set Screw
504105 (809)	Rock Shaft Stop Dog Set Screw (2)
504510 (809)	Rock Shaft Knee Arm Clamping Nut
505397	Rock Shaft
505398	Rock Shaft Hanger (2)
505400	Rock Shaft Knee Arm Hub with 504105 (809)
505402	Rock Shaft Knee Plate with 504105 (809)
505651	Rock Shaft Stop Dog with two 504105 (809) (2)
547829	Presser Bar Lifter Lever Chain
547830	Rock Shaft complete, Nos. 505397, 547832, 547833, two each 505651 and 505398 and four Wood Screws (1", No. 10)
547831	Rock Shaft Knee Arm
547832	Rock Shaft Knee Arm complete, Nos. 504510 (809), 547831, 505400 and 505402
547833	Rock Shaft Lifting Bracket with 6338 and two 504105 (809)
549295	Wood Screw (1" No. 10) (4)

CLOTH PLATE

(Optional Parts)

547803	Cloth Plate Slide complete, Nos. 547849, 547860 and two 549148
547808	Cloth Plate complete Kit, Nos. 547803, 547857, 547858, two 549105 and 549706
547849	Cloth Plate Slide Spring
547857	Cloth Plate Bracket
547858 (810)	Cloth Plate Bracket Set Screw
547860	Cloth Plate Slide
549105 (853)	Cloth Plate Screw (2)
549148 (832)	Cloth Plate Slide Spring Screw (2)
549706	Cloth Plate