

SINGER
147-87

Form 19859

(442)

Printed in U. S. A.

LIST OF PARTS



MACHINE No. 147-87

THE SINGER MANUFACTURING COMPANY

INDEX

| | Page |
|---------------------------------------|------|
| Accessories..... | 19 |
| Belt Guard..... | 19 |
| Bench Stands..... | 19 |
| Edge Guide (Roller)..... | 20 |
| Foot Lifter Parts..... | 20 |
| Knee Lifter Parts..... | 20 |
| Machine Base..... | 21 |
| Machine Base Oil Drain Jar..... | 22 |
| Machine No. 147-87..... | 7 |
| Numerical List of Parts..... | 23 |
| Thread Unwinder (For Two Spools)..... | 22 |

INSTRUCTIONS FOR ORDERING

In ordering from this list, use ONLY the part NUMBER in the FIRST column.

The number stamped on a Sewing Machine Part is in every case the number of the single part only.

Every combination of parts sent out as such has its specific number, which, although not stamped on the parts, must be used when ordering the combination.

Each number always indicates the SAME PART in whatever list it appears, or for whatever machine.

The letters after some of the numbers indicate the style of finish only, as follows:

- A-Hardened, Polished, Nickel Plated and Buffed
- A.A-Buffed and Chromium Plated
- A.B-Hardened, Polished, Buffed and Chromium Plated
- A.C-Brown Baking Enamel Finish
- A.D-Gray Baking Enamel Finish
- A.E-Hardened, Bright Rumbled and Nickel Plated
- A.F-Hardened, Bright Rumbled, Nickel Plated, Bright Rumbled and Chromium Plated
- A.G-Alumilite, Plain
- A.H-Alumilite, Dyed
- A.J-Polished, Nickel Plated and Chromium Plated
- A.K-Hardened, Polished, Nickel Plated and Chromium Plated
- A.L-Heat Treated for Toughness
 - B-Polished, Nickel Plated and Buffed
 - C-Hardened Only
- C.R-Hardened and Merlized
- D-Polished Only
- E-Soft, Not Polished
- F-Hardened and Polished
- F.J-Hardened, Polished and Nickel Plated
- G-Bright Rumbled and Nickel Plated
- H-Blued
- J-Nickel Plated Only
- K-Hardened and Nickel Plated
- L-Brass Plated
- M-Oxidized
- N-Japanned, Dull
- P-Japanned, Bright
- P.P-Wrinkle Finish
- R-Merlized
- S-Cadmium Plated
- T-Copper Plated
- T.A-Hardened, Polished, Copper and Nickel Plated and Buffed
- T.B-Copper and Nickel Plated and Polished
- T.J-Copper and Nickel Plated Only
- T.K-Hardened, Copper and Nickel Plated
- T.L-Copper and Brass Plated
- T.M-Copper Plated and Oxidized

INSTRUCTIONS FOR ORDERING - Continued

- U-Zinc Plated
- V-Silver Plated
- W-Polished and Nickel Plated
- X-Black Oxide, for Iron and Steel
- X.C-Hardened and Black Oxide, for Iron or Steel
- Y-Black Nickel Plated Only
- Z-Chromium Plated
- Z.A-Hardened, Polished, Nickel Plated, Buffed and Chromium Plated
- Z.B-Polished, Nickel Plated, Buffed and Chromium Plated
- Z.C-Hardened and Chromium Plated
- Z.D-Polished and Chromium Plated
- Z.G-Bright Rumbled, Nickel Plated, Bright Rumbled and Chromium Plated
- Z.J-Nickel and Chromium Plated
- Z.T-Copper and Chromium Plated

These letters MUST BE USED when they appear in the list; and AFTER the number as in the list.

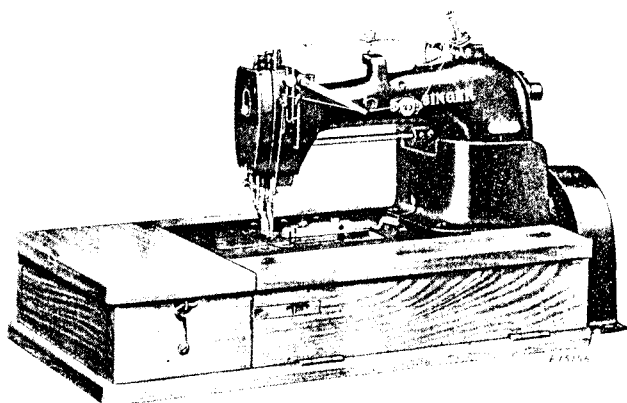
In this series:

- 1 to 1500, 50001 to 51500 and 140001 to 142000 are Screw Numbers
- 1501 to 1800 and 51501 to 51800 are Nut Numbers
- 1901 to 2000 and 51801 to 52000 are Roller Numbers
- 2001 to 50000 and 52001 to 140000 and 142001 to 190000 are Sewing Machine Parts, 190001 and upward are numbers of Electrical Parts.

The figures in the second column refer only to the plates, illustrating the parts, and are NOT TO BE USED in ordering.

Parts marked with an asterisk (*) are furnished only when repairs are made at factory.

LIST OF PARTS COMPLETE
FOR



MACHINE No. 147-87

FOR CLOTH OR LEATHER. STITCHING GLOVES,
CLOSING SHOES; ALSO FOR BINDING LIGHT AND MEDIUM
FABRICS OR LEATHER. ONE NEEDLE, ONE LOOPER.
INDEPENDENT UPPER AND UNDER FEED. ALTERNATING
PRESSERS. BALL BEARING. LENGTH OF STITCH UP TO
5 TO THE INCH. NEEDLE BAR STROKE $1\frac{5}{16}$ INCHES.
SPEED 3000 R. P. M.

| No. | Plate | Name |
|---------|-------|---|
| *131601 | ----- | Arm, upper and lower (solid) with 948J, 15404, 68483, two 131676 and four 131022..... |
| 68428 | 20688 | Arm Bottom Cover..... |
| 68429 | 20688 | " " " Gasket (cork)..... |
| 1057AL | 20688 | " " " Screw (4)..... |
| 50608R | 20688 | " Hole Plug Screw, for access to Crank Connecting Rod (upper bear- ing)..... |
| 139017 | 20688 | Arm Hole Plug Screw Washer..... |
| 68350 | 20711 | " Oil Cup, for oiling Arm Rock Shaft Front Bearing..... |

| No. | Plate | Name |
|---|-------|---|
| 131864 | 20712 | Arm Oil Cup |
| 131865 | 20712 | Oil Gauge |
| 131866 | 20712 | Arm Oil Cup with Oil Gauge complete, for filling oil reservoir, Nos. 131864 and 131865 |
| 131319 | 20711 | Arm Oil Cup Oil Pad (braided cotton) for 68350 |
| 11119 | 20711 | Arm Oil Tube with 52045, for oiling Thread (upper) Nipper |
| 56003 | 20711 | Arm Oil Tube with 52045, for oiling Feed (upper) Bell Crank Connection Sleeve |
| 52045 | 20711 | Arm Oil Tube Packing (wick) (2) |
| 131733 | 20711 | Rock Shaft and Front Crank with 853AL |
| 131734 | ----- | Arm Rock Shaft 131733 with 50391C, 131738 and two each 914J and 131695 |
| 1309C | 20711 | Arm Rock Shaft Adjusting Screw |
| 131056 | 20711 | " " " Washer |
| 68433 | 20711 | " " " Bushing (back) |
| 68435 | 20711 | " " " Cap |
| 131095 | 20711 | Arm Rock Shaft Bushing (back) Cap Washer (fibre) |
| 446AL | 20711 | Arm Rock Shaft Bushing (back) Set Screw |
| 68436 | 20711 | Arm Rock Shaft Bushing (intermediate) |
| 423AL | 20711 | Arm Rock Shaft Bushing (intermediate) Set Screw |
| 131486 | 20712 | Arm Rock Shaft Crank, back (ball bearing, solid) with two 50083AL |
| 50083AL | 20712 | Arm Rock Shaft Crank, back Set Screw (2) |
| 131456 | 20711 | Arm Rock Shaft Flanged Bushing (front) |
| 453AL | 20711 | Set Screw |
| 42365 | 20711 | Arm Rock Shaft Oil Pad (braided cotton) for oiling Back Bearing |
| 54969 | 20711 | Arm Rock Shaft Oil Pad (braided cotton) for oiling Intermediate Bearing |
| 131487 | 20712 | Arm Rotary Shaft |
| Note: When No. 131487 is required for repairs the Looper Driving Shaft and Feed Lifting Eccentric must be returned to the factory to be adjusted to the new part. | | |
| 131604 | ----- | Arm Rotary Shaft 131487 with 640E, 131111, 131489, 131502 and 131617 |
| 131366 | 20712 | Arm Rotary Shaft Ball Bearing (back) (2) |
| 131478 | 20712 | Arm Rotary Shaft Ball Bearing (back) Case |
| 131479 | ----- | Arm Rotary Shaft Ball Bearing (back) Case 131478 with 131369 and three 205C |
| 131526 | ----- | Arm Rotary Shaft Ball Bearing (back) Case with Ball Bearings complete, Nos. 131479, 131480 and two 131366 |
| 131369 | 20712 | Arm Rotary Shaft Ball Bearing (back) Case Cap |
| 205C | 20712 | Arm Rotary Shaft Ball Bearing (back) Case Cap Screw (3) |
| 131370 | 20712 | Arm Rotary Shaft Ball Bearing (back) Case Position Stud (3) |

| No. | Plate | Name |
|---------|-------|---|
| 429C | 20712 | Arm Rotary Shaft Ball Bearing (back) Case Set Screw |
| 131480 | 20712 | Arm Rotary Shaft Ball Bearing (back) Case Spacing Collar |
| 131366 | 20712 | Arm Rotary Shaft Ball Bearing (intermediate) |
| 131481 | 20712 | Arm Rotary Shaft Ball Bearing (intermediate) Case |
| 1304C | 20712 | Arm Rotary Shaft Ball Bearing (intermediate) Case Set Screw |
| 131482 | 20712 | Arm Rotary Shaft Ball Bearing (intermediate) Collar with two 457AL |
| 457AL | 20712 | Arm Rotary Shaft Ball Bearing (intermediate) Collar Set Screw (2) |
| 131457 | 20712 | Arm Rotary Shaft Bushing (front) |
| 761E | 20712 | Arm Rotary Shaft Bushing (front) Set Screw |
| 42367 | 20712 | Arm Rotary Shaft Front Bearing Oil Pad, lower (braided cotton) |
| 54218 | 20712 | Arm Rotary Shaft Front Bearing Oil Pad, upper (braided cotton) |
| 144D | 20712 | Arm Rotary Shaft Screw |
| 131276 | 20688 | " " " Side Cover (oil vent) |
| 131909 | 20688 | " " " Cap |
| 131280 | 20688 | " " " Position Pin |
| 1289X | 20688 | " " " Screw |
| 131910 | 20688 | " " " Spring |
| 131911 | 20688 | Arm Side Cover (oil vent) complete, Nos. 1289X, 131276, 131280, 131909 and 131910 |
| 68448 | 20688 | Arm Side Cover Gasket |
| 1057AL | 20688 | " " Screw (4) |
| 131605 | ----- | Balance Wheel, 2 5/8 in. pulley, with two 51283AL, for round belt |
| 131710 | 20712 | Balance Wheel (outside diam. of belt groove 2.9 in.) with two 51283AL, for "V" belt |
| 128510 | 20712 | Balance Wheel Cover |
| 51283AL | 20712 | " " Set Screw (2) |
| 131606 | 20714 | Cloth Plate with 54309 |
| 54309 | 20714 | " " Oil Tube with 49092 |
| 49092 | 20714 | " " Packing (felt) |
| 68368 | 20714 | " " Slide (left) |
| 131050 | 20714 | " " " Spring |
| 725J | 20714 | " " " " " Screw (2) |
| 131051 | 20714 | Cloth Plate Slide (left) complete, Nos. 68368, 131050 and two 725J |
| 131923 | 20714 | Cloth Plate Slide (right) |
| 54209 | 20714 | " " Position Spring |
| 725J | 20714 | Cloth Plate Slide (right) Position Spring Screw (2) |
| 131381 | 20714 | Cloth Plate Slide (right) Spring |
| 725J | 20714 | Cloth Plate Slide (right) Spring Screw (2) |
| 131924 | 20714 | Cloth Plate Slide (right) complete, Nos. 54209, 131381, 131923 and four 725J |
| 131925 | 20714 | Cloth Plate complete, Nos. 131051, 131606 and 131924 |
| 1011F | 20714 | Cloth Plate Screw (left) (2) |
| 50396F | 20714 | " " " (right) |
| 131610 | 20714 | " " Thread Guard |

| No. | Plate | Name |
|--|-------|---|
| 389F | 20714 | Cloth Plate Thread Guard Screw (lower) |
| 50473F | 20714 | Cloth Plate Thread Guard Screw (upper) |
| *131471 | 20712 | Crank Connecting Rod with two each 896AL and 1057AL |
| <p>Note: When No. 131471 is required for repairs, the Connecting Rod and Arm Rock Shaft Crank (back) fitted together, will be furnished. All Agency orders for this part must state the Machine Number for which it is required, in order to obtain correct Needle Bar stroke.</p> | | |
| 131489 | ----- | Crank Connecting Rod 131471 with 131486 |
| 896AL | 20712 | Crank Connecting Rod Cap (lower) Screw (2) |
| 1057AL | 20712 | Crank Connecting Rod Cap (upper) Screw (2) |
| 131735 | 20713 | Face Plate |
| 142W | 20713 | " Screw (2) |
| 131854 | 20716 | Feed Dog, 14 teeth (14 teeth to the inch) for 54168 and 54215, for glove work |
| 140275J | 20716 | Feed Dog Screw |
| 460AL | 20683 | " Stop Screw |
| 131729 | 20683 | " (lower) Bar |
| 131730 | 20683 | " Feed Dog Seat (adjustable) with 460AL |
| 190J | 20683 | Feed (lower) Bar Feed Dog Seat Screw |
| 22436 | 20683 | Washer |
| 131731 | ----- | Feed (lower) Bar with Feed Dog Leveling Device complete, Nos. 190J, 22436, 68467, 131729, 131730 and two 207E |
| 131197 | 20683 | Feed (lower) Bar Hinge Pin (eccentric) |
| 59343 | 20683 | " Collar |
| 735AL | 20683 | Feed (lower) Bar Hinge Pin Collar Set Screw |
| 134258 | 20683 | Feed (lower) Bar Slide Block |
| 134259 | 20683 | " 134258 with 68495 and 134260 |
| 68495 | 20683 | Feed (lower) Bar Slide Block Oil Pad (wick) |
| 134260 | 20683 | Feed (lower) Bar Slide Block Oil Pad Retainer |
| 68467 | 20683 | Feed (lower) Bar Wearing Plate |
| 207E | 20683 | " Screw (2) |
| 131500 | 20712 | Feed (lower) Connecting Rod with 1057AL, 68497, 134260 and two 896AL |
| 131502 | ----- | Feed (lower) Connecting Rod 131500 with 54025 |
| 896AL | 20712 | Feed (lower) Connecting Rod Cap Screw (2) |
| 1057AL | 20712 | Feed (lower) Connecting Rod Clamping Screw |
| 68497 | 20712 | Feed (lower) Connecting Rod Oil Pad (wick) |
| 134260 | 20712 | Feed (lower) Connecting Rod Oil Pad Retainer |
| *54024 | ----- | Feed (lower) Eccentric with 138306 |

| No. | Plate | Name |
|---------|-------|---|
| *23729 | ----- | Feed (lower) Eccentric Body |
| 51061AL | 20712 | " Set Screw (3) |
| 7071 | 20712 | Feed (lower) Eccentric Clamping Washer (2) |
| 217J | 20712 | Feed (lower) Eccentric Clamping Washer Screw (2) |
| 138306 | ----- | Feed (lower) Eccentric Lubricating Pad (wood) |
| 54025 | 20712 | Feed (lower) Eccentric (adjustable) complete, Nos. 1103C, 23729, 54024, two each 217J, 7071 and three 51061AL |
| 1103C | 20712 | Feed (lower) Regulating Screw |
| 131240 | 20683 | " Rocking Frame with two 453AL |
| 131732 | ----- | Feed (lower) Rocking Frame 131240 with 59343, 131197 and 131731 |
| 57234 | 20683 | Feed (lower) Rocking Frame Hinge Pin |
| 57235 | 20683 | Bushing (2) |
| 453AL | 20683 | Feed (lower) Rocking Frame Hinge Pin Bushing Set Screw (2) |
| 453AL | 20683 | Feed (lower) Rocking Frame Hinge Pin Set Screw (2) |
| 131613 | 20713 | Feed (upper) Bar for glove work |
| 131691 | ----- | Feed (upper) Bar 131613 with 1194C, 1749C, 9525, 52595, 54143 to 54145, 54150, 127946, 131615 and six 1423W |
| 131614 | ----- | Feed (upper) Bar for binding and general work |
| 131692 | ----- | Feed (upper) Bar 131614 with 1194C, 1749C, 9525, 52595, 54143 to 54145, 54150, 127946, 131615 and six 1423W |
| 1423W | 20713 | Feed (upper) Bar Cap Screw |
| 131615 | 20713 | " " " Connecting Bracket |
| 54143 | 20713 | " " " Link (lower) |
| 1423W | 20713 | Feed (upper) Bar Connecting Link (lower) Cap Screw (2) |
| 54145 | 20713 | Feed (upper) Bar Connecting Link (upper) |
| 1423W | 20713 | Feed (upper) Bar Connecting Link (upper) Cap Screw |
| 54144 | 20713 | Feed (upper) Bell Crank |
| 1423W | 20713 | " " " Cap Screw |
| 54150 | 20713 | " " " " Connecting Link |
| 1423W | 20713 | Feed (upper) Bell Crank Connecting Link Cap Screw |
| 1194C | 20713 | Feed (upper) Bell Crank Connecting Link Hinge Screw |
| 1749C | 20713 | Feed (upper) Bell Crank Connecting Link Hinge Screw Nut |
| 9525 | 20713 | Feed (upper) Bell Crank Connecting Link Hinge Screw Nut Washer |
| 127946 | 20713 | Feed (upper) Bell Crank Connecting Stud with 50200C |
| 50200C | 20713 | Feed (upper) Bell Crank Connecting Stud Set Screw |
| 131500 | 20712 | Feed (upper) Connecting Rod with 1057AL, 68497, 134260 and two 896AL |

| No. | Plate | Name |
|----------|-------|--|
| 131617 | ----- | Feed (upper) Connecting Rod 131500 with 54456..... |
| 896AL | 20712 | Feed (upper) Connecting Rod Cap Screw (2)..... |
| 1057AL | 20712 | Feed (upper) Connecting Rod Clamping Screw..... |
| 131618 | 20683 | Feed (upper) Connecting Rod Crank with two 140123AL..... |
| 140123AL | 20683 | Feed (upper) Connecting Rod Crank Set Screw (2)..... |
| 131619 | 20683 | Feed (upper) Connecting Rod Hinge Stud..... |
| 68497 | 20712 | Feed (upper) Connecting Rod Oil Pad (wick)..... |
| 134260 | 20712 | Feed (upper) Connecting Rod Oil Pad Retainer..... |
| *54024 | ----- | Feed (upper) Eccentric with 138306..... |
| *54455 | ----- | " " " " Body..... |
| 51061AL | 20712 | " " " " Set Screw (3)..... |
| 7071 | 20712 | Feed (upper) Eccentric Clamping Washer (2)..... |
| 217J | 20712 | Feed (upper) Eccentric Clamping Washer Screw (2)..... |
| 138306 | ----- | Feed (upper) Eccentric Lubricating Pad (wood)..... |
| 54456 | 20712 | Feed (upper) Eccentric (adjustable) complete, Nos. 1103C, 54024, 54455, two each 217J, 7071 and three 51061AL..... |
| 131736 | 20713 | Feed (upper) Lifting Regulator..... |
| 131737 | 20713 | " " " " Connection with 140123AL..... |
| 140123AL | 20713 | Feed (upper) Lifting Regulator Connection Clamping Screw..... |
| 131622 | 20713 | Feed (upper) Lifting Regulator Connection Sleeve..... |
| 131738 | 20711 | Feed (upper) Lifting Regulator Connection Sleeve Slide Block..... |
| 131695 | 20711 | Feed (upper) Lifting Regulator Connection Sleeve Slide Block Clamping Washer (2)..... |
| 914J | 20711 | Feed (upper) Lifting Regulator Connection Sleeve Slide Block Clamping Washer Screw (2)..... |
| 50391C | 20711 | Feed (upper) Lifting Regulator Connection Sleeve Slide Block Position Screw..... |
| 1103C | 20712 | Feed (upper) Regulating Screw..... |
| 54155 | 20683 | " " " " Rock Shaft..... |
| 54369 | 20683 | " " " " Collar with two 465C..... |
| 465C | 20683 | Feed (upper) Rock Shaft Collar Set Screw (2)..... |
| 54156 | 20683 | Feed (upper) Rock Shaft Crank (back) with two 50200C..... |
| 50200C | 20683 | Feed (upper) Rock Shaft Crank (back) Set Screw (2)..... |
| 52595 | 20713 | Feed (upper) Rock Shaft Crank (front) with 1057AL..... |
| 1057AL | 20713 | Feed (upper) Rock Shaft Crank (front) Clamping Screw..... |
| 131624 | 20683 | Feed (upper) Rock Shaft Pitman..... |

| No. | Plate | Name |
|--------|-------|---|
| 131625 | 20683 | Feed (upper) Rock Shaft Pitman Crank with two 50200C..... |
| 50200C | 20683 | Feed (upper) Rock Shaft Pitman Crank Set Screw (2)..... |
| 131626 | 20683 | Feed (upper) Rock Shaft Pitman Crank Shaft..... |
| 131627 | 20683 | Feed (upper) Rock Shaft Pitman Crank Shaft Bracket..... |
| 120E | 20683 | Feed (upper) Rock Shaft Pitman Crank Shaft Bracket Screw (3)..... |
| 41F | 20683 | Feed (upper) Rock Shaft Pitman Hinge Screw (2)..... |
| 1570J | 20683 | Feed (upper) Rock Shaft Pitman Hinge Screw Nut (2)..... |
| 54158 | 20716 | Feeding Foot Hinge Pin..... |
| 54159 | 20716 | " " " " Plate..... |
| 54160 | 20716 | " " " " Shank..... |
| 54161 | 20716 | Feeding Foot (hinged) complete, for glove work, Nos. 54158 to 54160.. |
| 208J | 20716 | Feeding Foot Screw..... |
| 25618 | 20716 | Guide..... |
| 5124W | 20716 | " " " " Thumb Screw..... |
| 57255 | 20717 | Lifting Presser Bar..... |
| 131670 | 20713 | " " " " Bushing (lower)..... |
| 1133E | 20713 | " " " " Set Screw..... |
| 54162 | 20713 | Lifting Presser Bar Bushing (upper)..... |
| 1133E | 20713 | " " " " Set Screw..... |
| 131670 | 20713 | Lifting Presser Bar Lifting Bracket with 453AL..... |
| 131671 | 20713 | Lifting Presser Bar Lifting Bracket Guide..... |
| 453AL | 20713 | Lifting Presser Bar Lifting Bracket Guide Set Screw..... |
| 453AL | 20713 | Lifting Presser Bar Lifting Bracket Set Screw..... |
| 131672 | 20686 | Lifting Presser Bar Lifting Lever..... |
| 68184 | 20686 | " " " " Extension..... |
| 161J | 20686 | Lifting Presser Bar Lifting Lever Extension Screw (2)..... |
| 802D | 20686 | Lifting Presser Bar Lifting Lever Hinge Screw..... |
| 131749 | 20688 | Lifting Presser Bar Spring..... |
| 131750 | 20688 | " " " " (auxiliary)..... |
| 131751 | 20688 | " " " " Screw Stud..... |
| 1637J | 20688 | " " " " Lock Nut..... |
| 38468 | 20688 | Lifting Presser Bar Spring Stud..... |
| 131630 | 20688 | Lifting Presser Bar Spring complete, Nos. 1637J, 51697W and 131749 to 131752..... |
| 131851 | 20688 | Lifting Presser Bar Spring (less auxiliary spring) complete, Nos. 1637J, 42290K, 51697W, 131749 and 131751..... |
| 54204 | 20716 | Lifting Presser Foot (raised toe) for glove work..... |
| 190J | 20716 | Lifting Presser Foot Screw..... |
| 131939 | 20716 | Looper..... |
| 131940 | 20716 | " " " " with 229E and 131135..... |
| 54027 | 20719 | " " " " Carrier with two 175E..... |
| 175E | 20719 | " " " " Adjusting Screw (2)..... |

| No. | Plate | Name |
|---|-------|--|
| 54227 | 20719 | Looper Carrier Connection..... |
| 54228 | 20719 | " " " Shaft..... |
| 128419 | 20719 | " " " " 011 |
| | | Pad (braided cotton)..... |
| 68478 | 20719 | Looper Carrier Connection Shaft |
| | | Sleeve (eccentric)..... |
| 51263D | 20719 | Looper Carrier Connection Shaft |
| | | Sleeve Cap Screw..... |
| 68479 | 20719 | Looper Carrier Driver with four 175E. |
| 175E | 20719 | " " " Cap Screw (4).. |
| *131110 | 20719 | " Driving Shaft and Feed Lifting |
| | | Eccentric..... |
| Note: When No. 131110 is required for repairs, the Arm Rotary Shaft must be returned to the factory to be adjusted to the new part. | | |
| *131111 | ----- | Looper Driving Shaft and Feed Lifting |
| | | Eccentric 131110 with 54027,54227, 54228 and 68479..... |
| *68483 | ----- | Looper Driving Shaft and Feed Lifting |
| | | Eccentric Bracket with 761E..... |
| 948J | 20712 | Looper Driving Shaft and Feed Lifting |
| | | Eccentric Bracket Screw..... |
| 68484 | 20719 | Looper Driving Shaft and Feed Lifting |
| | | Eccentric Bushing..... |
| 131028 | 20719 | Looper Driving Shaft and Feed Lifting |
| | | Eccentric Bushing Oil Plug..... |
| 761E | 20712 | Looper Driving Shaft and Feed Lifting |
| | | Eccentric Bushing Position Screw. |
| 68497 | ----- | Looper Driving Shaft and Feed Lifting |
| | | Eccentric Front Bearing Oil Pad |
| | | (wick)..... |
| 640E | 20712 | Looper Driving Shaft and Feed Lifting |
| | | Eccentric Screw..... |
| 131504 | 20719 | Looper Holder with 1120AL..... |
| 51119J | 20719 | " " " Screw..... |
| 131135 | 20716 | " Needle Guard with 46105..... |
| 46105 | 20716 | " " " Pin..... |
| 229E | 20716 | " " " Screw..... |
| 1120AL | 20719 | " Set Screw..... |
| 68485 | 20719 | " Throw-out Handle with two |
| | | 443AL..... |
| 68486 | 20719 | Looper Throw-out Handle Plunger..... |
| 43503 | 20719 | " " " Spring |
| 443AL | 20719 | " " " Set Screw (2) |
| 131739 | 20713 | Needle Bar (hollow) with 857AL..... |
| 131291 | 20713 | " " Bushing (lower)..... |
| 1133E | 20713 | " " " Set Screw. |
| 68187 | 20713 | " " " (upper)..... |
| 1133E | 20713 | " " " Set Screw.. |
| 68488 | 20713 | " " Connecting Link and Thread |
| | | (upper) Contoller..... |
| 131399 | ----- | Needle Bar Connecting Link and Thread |
| | | (upper) Contoller 68488 with |
| | | 68489 and 131400..... |
| 68489 | 20713 | Needle Bar Connecting Link Hinge Stud |
| | | (hollow)..... |
| 1520J | 20713 | Needle Bar Connecting Link Hinge Stud |
| | | Nut..... |
| 131270 | 20713 | Needle Bar Connecting Link Hinge Stud |
| | | Oil Pad (wick)..... |
| 861F | 20713 | Needle Bar Connecting Link Hinge Stud |
| | | Oil Plug Screw..... |
| 853AL | 20711 | Needle Bar Connecting Link Hinge Stud |
| | | Set Screw..... |

| No. | Plate | Name | |
|--------|-------|--|---------------------------------------|
| 131400 | 20713 | Needle Bar Connecting Stud with 211F | |
| | | and 1492E..... | |
| 1492E | 20713 | Needle Bar Connecting Stud Clamping | |
| | | Screw..... | |
| 131316 | 20683 | Needle Guard (movable)..... | |
| 68123 | 20683 | " " " Clamp..... | |
| 857AL | 20713 | " Set Screw..... | |
| 131636 | 20684 | Oil Pipe (back of arm) with 68497, | |
| | | for oiling Feed (lower) Rocking | |
| | | Frame Hinge Pin Front Bearing.... | |
| 68493 | 20684 | Oil Pipe (back of arm) Clamp..... | |
| 176E | 20684 | " " " " " Screw... | |
| 68494 | 20684 | " " " " " Connection | |
| | | with 68495 and two 198E, for oil- | |
| | | ing Feed (lower) Rocking Frame | |
| | | Hinge Pin Back Bearing..... | |
| 68494 | 20684 | Oil Pipe (back of arm) Connection | |
| | | with 68495 and two 198E for oil- | |
| | | ing Feed (upper) Rock Shaft Pit- | |
| | | man Crank Shaft..... | |
| | 198E | 20684 | Oil Pipe (back of arm) Connection Cap |
| | | Screw (4)..... | |
| 68495 | 20684 | Oil Pipe (back of arm) Connection Oil | |
| | | Pad (wick) (2)..... | |
| 68496 | 20684 | Oil Pipe (back of arm) Coupling..... | |
| 1733 | 20684 | Oil Pipe (back of arm) Coupling Nut | |
| | | (brass)..... | |
| 68497 | 20684 | Oil Pipe (back of arm) Oil Pad (wick) | |
| 131637 | 20684 | Oil Pipe (front of arm) with 131089 | |
| | | and two 1733, for oiling Looper | |
| | | Driving Shaft and Feed Lifting | |
| | | Eccentric Front Bearing..... | |
| 131112 | 20684 | Oil Pipe (front of arm) with 68497 | |
| | | and 131003, for oiling Feed Bar | |
| | | Slide Block..... | |
| 68500 | 20684 | Oil Pipe (front of arm) with 1733, | |
| | | 131084 and 131089, for oiling Arm | |
| | | Rotary Shaft Front Bearing..... | |
| 131113 | 20684 | Oil Pipe (front of arm) with 68497 | |
| | | and 131003, for oiling Feed Con- | |
| | | necting Rod..... | |
| 131113 | 20684 | Oil Pipe (front of arm) with 68497 | |
| | | and 131003, for oiling Feed | |
| | | (upper) Connecting Rod..... | |
| 131638 | ----- | Oil Pipe (front of arm) complete, Nos. | |
| | | 68500, 131112, 131637 and two | |
| | | 131113..... | |
| 131002 | 20684 | Oil Pipe (front of arm) Connection | |
| | | with two 198E, for oiling Looper | |
| | | Throw-out Device..... | |
| 131003 | 20684 | Oil Pipe (front of arm) Connection | |
| | | with two 198E, for 131112 and | |
| | | 131113 (3)..... | |
| 131084 | 20684 | Oil Pipe (front of arm) Connection | |
| | | with two 198E, for 68500..... | |
| | 198E | 20684 | Oil Pipe (front of arm) Connection |
| | | Cap Screw (10)..... | |
| 131004 | 20684 | Oil Pipe (front of arm) Coupling | |
| | | (center)..... | |
| 131004 | 20684 | Oil Pipe (front of arm) Coupling | |
| | | (left)..... | |
| 131087 | 20684 | Oil Pipe (front of arm) Coupling | |
| | | (right) with Oil Lead..... | |
| | 1733 | 20684 | Oil Pipe (front of arm) Coupling Nut |
| | | (brass) (3)..... | |

| No. | Plate | Name |
|--------|-------|---|
| 131089 | 20684 | Oil Pipe (front of arm) Oil Pad (wick) for 68500 and 131637 (2)..... |
| 68497 | 20684 | Oil Pipe (front of arm) Oil Pad (wick) for 131112 and 131113 (3)..... |
| 51697W | 20688 | Pressure Regulating Thumb Nut..... |
| 131752 | 20688 | " " Washer for 131830..... |
| 42290K | 20688 | Pressure Regulating Thumb Nut Washer for 131851..... |
| 131025 | 20715 | Slack Thread Controller..... |
| 54242 | 20715 | " " " Clamp..... |
| 190J | 20715 | " " " " Screw.. |
| 131896 | 20715 | " " " Regulator..... |
| 131404 | 20715 | " " " Holder..... |
| 131405 | 20715 | " " " " Crank with 171AL..... |
| 1423J | 20715 | Slack Thread Regulator Holder Crank Cap Screw..... |
| 171AL | 20715 | Slack Thread Regulator Holder Crank Clamping Screw..... |
| 131639 | 20715 | Slack Thread Regulator Holder Crank Connecting Link..... |
| 217J | 20715 | Slack Thread Regulator Screw..... |
| 131012 | 20686 | Tension (under thread) Bracket..... |
| 691F | 20686 | " " " " Screw. |
| 2102 | 20686 | " " " " Disc (2)..... |
| 51570C | 20686 | " " " " Regulating Thumb Nut..... |
| 50326C | 20686 | Tension (under thread) Screw Stud.... |
| 59539 | ----- | 50326C with 51570C..... |
| 131740 | 20686 | Tension (under thread) Spring..... |
| 59537 | 20686 | " " " " Bushing (large)..... |
| 59538 | 20686 | Tension (under thread) Spring Bushing (small)..... |
| 131696 | 20686 | Tension (upper thread) Thread Guide.. |
| 54045 | 20686 | " (upper thread) Bracket..... |
| 376J | 20686 | " " " " Screw. |
| 2102 | 20686 | " " " " Disc (2)..... |
| 51570C | 20686 | " " " " Regulating Thumb Nut..... |
| 32572 | 20686 | Tension (upper thread) Releasing Disc |
| 54988 | 20686 | " " " " Pin. |
| 54046 | 20686 | " " " " Shaft |
| 54047 | 20686 | " " " " " Crank with 624AL..... |
| 54048 | 20686 | Tension (upper thread) Releasing Shaft Crank Link..... |
| 624AL | 20686 | Tension (upper thread) Releasing Shaft Crank Set Screw..... |
| 68261 | 20686 | Tension (upper thread) Releasing Shaft Spring..... |
| 131011 | 20686 | Tension (upper thread) Releasing Shaft Spring Position Plate..... |
| 316C | 20686 | Tension (upper thread) Releasing Shaft Stop Screw..... |
| 1547J | 20686 | Tension (upper thread) Releasing Shaft Stop Screw Nut..... |
| 50326C | 20686 | Tension (upper thread) Screw Stud.... |
| 59539 | ----- | 50326C with 51570C..... |
| 131741 | 20686 | Tension (upper thread) Spring..... |

| No. | Plate | Name |
|--------|-------|--|
| 59537 | 20686 | Tension (upper thread) Spring Bushing (large)..... |
| 59538 | 20686 | Tension (upper thread) Spring Bushing (small)..... |
| 131696 | 20686 | Tension (upper thread) Thread Guide.. |
| 53225 | 20686 | Thread (under) Eyelet (back)..... |
| 190J | 20686 | " " " " Screw... |
| 131407 | 20712 | " " " Take-up with 1258AL... |
| 131408 | 20717 | " " " " Oil Guard..... |
| 50438J | 20717 | " " " " " Screw |
| 1258AL | 20712 | " " " " Set Screw..... |
| 131824 | 20717 | " " " " Stripper..... |
| 54242 | 20717 | " " " " " Clamp |
| 190J | 20717 | " " " " " Screw..... |
| 131825 | 20717 | Thread (under) Take-up Stripper Plate |
| 131411 | 20717 | " " " " Bracket..... |
| 131826 | 20717 | Thread (under) Take-up Stripper Plate Bracket 131411 with 32062, 50438J, 54242, 131408, 131413, 131421, 131422, 131824, 131825, two each 207J, 7071, 50470J and four 190J... |
| 965D | 20717 | Thread (under) Take-up Stripper Plate Bracket Screw..... |
| 190J | 20717 | Thread (under) Take-up Stripper Plate Screw (3)..... |
| 32062 | 20717 | Thread (under) Take-up Stripper Washer..... |
| 131413 | 20717 | Thread (under) Take-up Thread Guard (fibre)..... |
| 50470J | 20717 | Thread (under) Take-up Thread Guard Screw (2)..... |
| 131421 | 20717 | Thread (under) Take-up Thread Guide (left)..... |
| 207J | 20717 | Thread (under) Take-up Thread Guide (left) Screw..... |
| 7071 | 20717 | Thread (under) Take-up Thread Guide (left) Screw Washer..... |
| 131422 | 20717 | Thread (under) Take-up Thread Guide (right)..... |
| 207J | 20717 | Thread (under) Take-up Thread Guide (right) Screw..... |
| 7071 | 20717 | Thread (under) Take-up Thread Guide (right) Screw Washer..... |
| 68129 | 20715 | Thread (upper) Nipper Body..... |
| 1149AL | 20715 | " " " " Set Screw. |
| 68130 | 20715 | " " " " Disc (inside)... |
| 68131 | 20715 | " " " " " Washer (fibre)..... |
| 68132 | 20715 | Thread (upper) Nipper Disc (outside). |
| 1698R | 20715 | " " " " Nut..... |
| 59456 | 20715 | Thread (upper) Nipper Disc (outside) Nut Washer..... |
| 68133 | ----- | Thread (upper) Nipper Roller..... |
| 68134 | ----- | " " " " Hinge Pin..... |
| 68135 | ----- | Thread (upper) Nipper Stud..... |
| 68136 | 20715 | " " " " 68135 with 68133 and 68134..... |
| 13218 | 20715 | Thread (upper) Nipper Stud Spring... |
| 68137 | 20715 | Thread (upper) Nipper complete, Nos. 1698R, 13218, 59456, 68129 to 68132 and 68136..... |

BENCH STAND

| No. | Plate | Name |
|--------|-------|--|
| 126849 | 20691 | Flap Hinge with four wood screws 5/8 in. No. 7 F.H. (4)..... |
| 27998 | 20691 | Flap Hook and Eye (large) with wood screw 1/2 in. No. 5..... |
| 60220 | ----- | Flap Hook and Eye (small) with wood screw 5/8 in. No. 4..... |

EDGE GUIDE (Roller)

FOR GLOVE WORK

| No. | Plate | Name |
|---------|-------|--|
| 226261 | 20717 | Edge Guide with 201849..... |
| 226259 | 20717 | " " Bed with 226264..... |
| 226262 | 20717 | " " Lever..... |
| 226264 | 20717 | " " Cushion (leather)..... |
| 200297B | 20717 | " " Hinge Screw..... |
| 201836 | ----- | " " Roller..... |
| 201849 | 20717 | " " 201836 with 206521..... |
| 206521 | ----- | " " Stud..... |
| 226263 | 20717 | " " Spring..... |
| 120421 | 20717 | Edge Guide (roller) complete, Nos. 200297B, 226259, 226261 to 226263 and two 50152J..... |
| 50152J | 20717 | Edge Guide Screw (2)..... |

FOOT LIFTER PARTS

| No. | Plate | Name |
|--|-------|---|
| 6439 | ----- | Chain, 36 in. to 45 in., with 56864 and 56865..... |
| Note: When ordering No. 6439, state length required. | | |
| 4879 | 20633 | Chain Connecting Link..... |
| 56864 | 20691 | " Hook (large)..... |
| 56865 | 20691 | " Hook (small)..... |
| 126249 | 20633 | Treadle..... |
| 4882 | 20633 | " Shaft..... |
| 126250 | 20633 | " Spring..... |
| 150451 | 20633 | " Stand..... |
| 150452 | 20633 | Treadle complete, Nos. 4879, 4882, 126249, 126250, 150451 and two wood screws 1 in. No. 16 F.H..... |

KNEE LIFTER PARTS

FOR USE WHEN MACHINE IS MOUNTED ON TOP OF TABLE

| No. | Plate | Name |
|-------|-------|---|
| 37563 | ----- | Chain, length 15 in., with 56864 and 56865..... |
| 56864 | 20691 | Chain Hook (large)..... |
| 56865 | 20691 | " Hook (small)..... |
| 2763 | 20633 | Rock Shaft..... |
| 12242 | 20633 | " Hanger with two wood screws 1 in. No. 10 (2)..... |
| 6335 | 20633 | Rock Shaft Knee Arm..... |
| 6336 | ----- | Rock Shaft Knee Arm complete, Nos. 2766, 2767 and 6335..... |
| 2766 | 20633 | Rock Shaft Knee Arm Hub with 356C..... |
| 356C | 20633 | " " " Set Screw..... |
| 2767 | 20633 | " " " Plate with 356C..... |

KNEE LIFTER PARTS

| No. | Plate | Name |
|---------|-------|--|
| 356C | 20633 | Rock Shaft Knee Plate Set Screw..... |
| 6337 | 20633 | " " Lifting Bracket with two 356C..... |
| 7125 | 20633 | Rock Shaft Lifting Bracket Hook..... |
| 356C | 20633 | " " " Set Screw..... |
| 356C | 20633 | Rock Shaft Lifting Bracket Set Screw..... |
| 2770 | 20633 | " " Stop Dog with 140219C..... |
| 140219C | 20633 | " " " Set Screw..... |
| 23767 | 20633 | Rock Shaft complete, Nos. 2763, 2770, 6336, 6337, 7125 and two 12242.... |

MACHINE BASE

MACHINE BASE NO. 131264

WHEN MACHINE IS MOUNTED ON TOP OF TABLE

FOR USE WITH BENCH STAND NO. 79772

| No. | Plate | Name |
|--------|-------|--|
| 131264 | 21038 | Machine Base..... |
| 54477 | 21038 | " Screw Stud, to fasten base to table (3)..... |
| 131205 | 21038 | Machine Base Screw Stud, to position machine on base (4)..... |
| 51576E | 21038 | Machine Base Screw Stud Nut (3)..... |
| 9842 | 21038 | Machine Base Screw Stud Nut Washer (3)..... |
| 131022 | 21038 | Machine Base Screw Stud Bushing (rubber) (4)..... |
| 131279 | 21038 | Machine Cushion (felt) (4)..... |
| 131264 | 21038 | Machine Base complete, Nos. 131263, three each 9842, 51576E, 54477 and four each 131205 and 131279.. |
| 131328 | 21038 | Machine Base and Oil Drain Jar (swinging type) complete, Nos. 131264 and 131268..... |

MACHINE BASE NO. 131919

WHEN MACHINE IS MOUNTED SEMI-SUBMERGED

FOR USE WITH BENCH STAND NO. 1315115

| No. | Plate | Name |
|--------|-------|--|
| 131918 | 20718 | Machine Base..... |
| 51428R | 20718 | " Bolt with 1778R (4)..... |
| 1778R | 20718 | " " " Nut (4)..... |
| 126150 | 20718 | " " " Lock Washer (4)..... |
| 69353 | 20718 | Machine Base Bolt complete, to fasten base to table, Nos. 51428R and 126150 (4)..... |
| 131205 | 20718 | Machine Base Screw Stud, to position machine on base (4)..... |
| 131022 | 21038 | Machine Base Screw Stud Bushing (rubber) (4)..... |
| 131279 | 20718 | Machine Cushion (felt) (4)..... |
| 131919 | 20718 | Machine Base complete, Nos. 131918 and four each 69353, 131205 and 131279..... |

MACHINE BASE

| No. | Plate | Name |
|--------|-------|--|
| 131920 | 20718 | Machine Base and Oil Drain Jar (swinging type) complete, for semi-submerged mounting, Nos. 131268 and 131919..... |

MACHINE BASE OIL DRAIN JAR

(SWINGING TYPE)

| No. | Plate | Name |
|--------|-------|--|
| 131185 | 21038 | Jar (glass)..... |
| 131191 | 21038 | " Cap..... |
| 131188 | 21038 | " Clamp..... |
| 131217 | ----- | " " 131188 with 131189..... |
| 131189 | 21038 | " " Lever..... |
| 1247C | 21038 | " " Hinge Screw (2)..... |
| 131265 | 21038 | Nipple (long) (2)..... |
| 131266 | 21038 | " (short)..... |
| 131267 | 21038 | " Elbow (2)..... |
| 131268 | 21038 | Machine Base Oil Drain Jar (swinging type) complete, Nos. 131185, 131191, 131217, 131266 and two each 1247C, 131265 and 131267..... |

THREAD UNWINDER

(FOR TWO SPOOLS)

| No. | Plate | Name |
|---------|-------|---|
| 225257 | 20692 | Spool Rest (for two spools) with 201018C..... |
| 150203 | 20692 | Spool Rest Cushion (felt) (2)..... |
| 225388 | 20692 | " " Rod..... |
| 200383C | 20692 | " " Set Screw..... |
| 201018C | 20692 | " " Set Screw..... |
| 202490 | 20692 | " Stand with 200383C..... |
| 225391 | 20692 | Thread Guide (2)..... |
| 201696J | 20692 | " " Lock Nut..... |
| 225326 | 20692 | " " Position Cup..... |
| 225324 | 20692 | " " Rod with 208AL and 225322..... |
| 208AL | 20692 | Thread Guide Rod Screw..... |
| 225322 | 20692 | " " Washer..... |
| 150086 | 20692 | Thread Separator..... |
| 150060 | 20692 | " " Bracket Arm with 164J and 9525..... |
| 164J | 20692 | Thread Separator Bracket Arm Clamping Screw..... |
| 9525 | 20692 | Thread Separator Bracket Arm Clamping Screw Washer..... |
| 164J | 20692 | Thread Separator Bracket Arm Screw... |
| 9525 | 20692 | " " Washer..... |
| 150087 | ----- | Thread Separator complete, Nos. 164J, 9525, 150060 and 150086..... |
| 150088 | 20692 | Thread Unwinder complete, Nos. 150087, 201696J, 202490, 225257, 225324, 225326, 225388, two each 150203, 225391 and three wood screws 7/8 in. No. 12..... |
| 27739 | 20692 | Thread Cone (wood) for large cones... |
| 225390 | 20692 | " " Holder, for inverted cones..... |

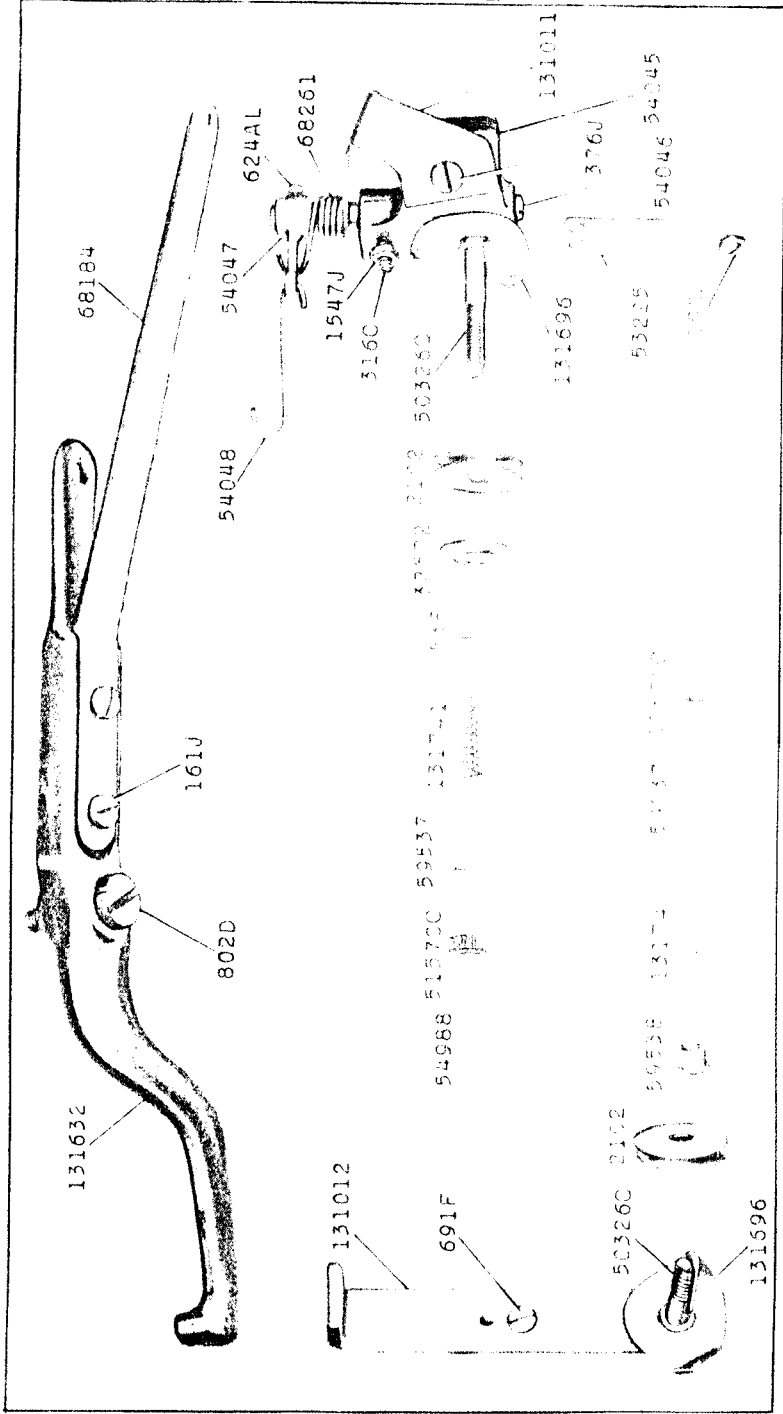
Note: Nos. 27739 and 225390 are used with, but
not included in 150088.

NUMERICAL LIST OF PARTS

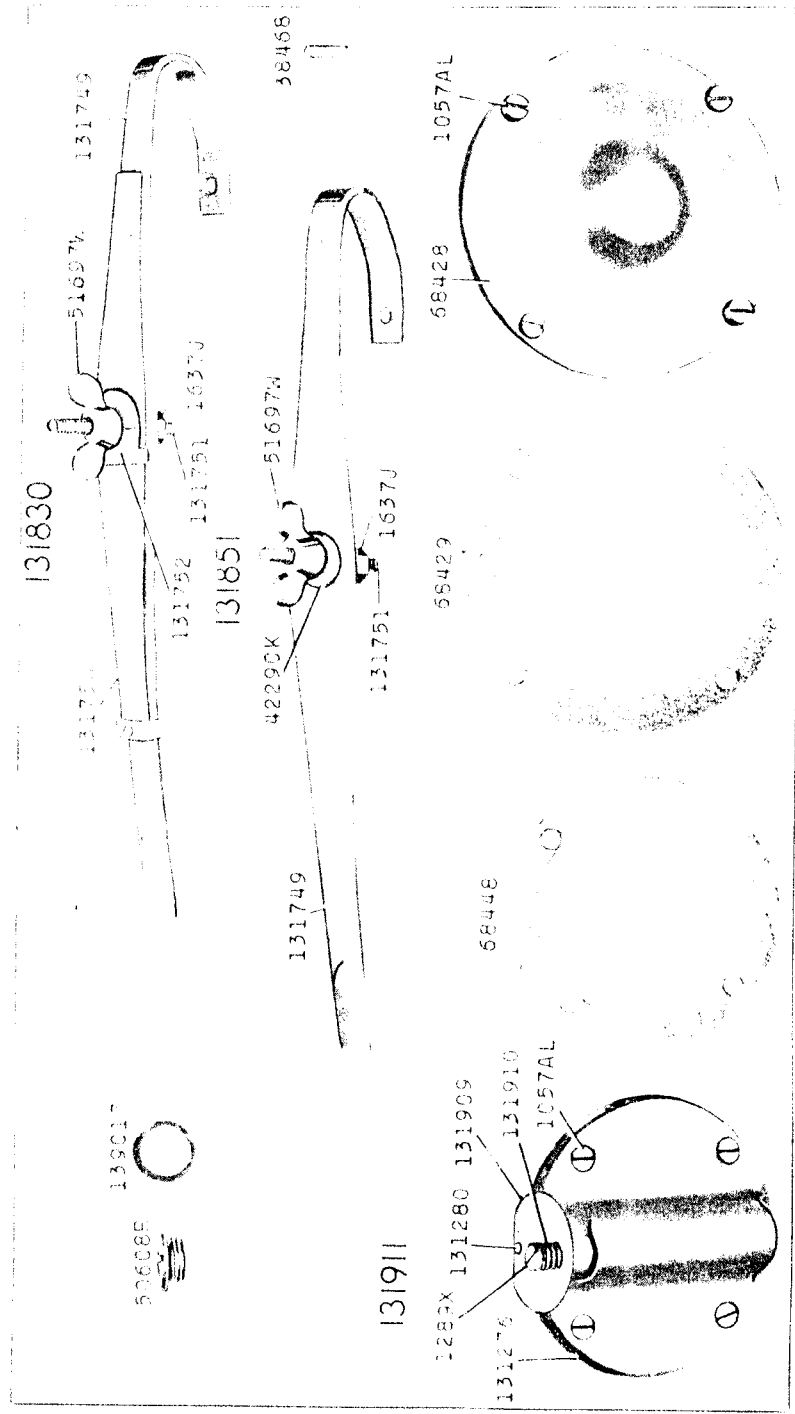
NUMERICAL
LIST
OF PARTS

| No. | Plate | Name |
|-------|-------|--|
| 41F | 20683 | Feed (upper) Rock Shaft Pitman Hinge Screw (2)..... |
| 129E | 20683 | Feed (upper) Rock Shaft Pitman Crank Shaft Bracket Screw (3)..... |
| 142W | 20713 | Face Plate Screw (2)..... |
| 144D | 20712 | Arm Rotary Shaft Screw..... |
| 161J | 20686 | Lifting Presser Bar Lifting Lever Extension Screw (2)..... |
| 164J | 20692 | Thread Unwinder Thread Separator Bracket Arm Clamping Screw for 150060..... |
| 164J | 20692 | Thread Unwinder Thread Separator Bracket Arm Screw for 150087..... |
| 171AL | 20715 | Slack Thread Regulator Holder Crank Clamping Screw for 131405..... |
| 175E | 20719 | Looper Carrier Adjusting Screw for 54027 (2)..... |
| 175E | 20719 | Looper Carrier Driver Cap Screw for 68479 (4)..... |
| 176E | 20684 | Oil Pipe (back of arm) Clamp Screw... |
| 190J | 20683 | Feed (lower) Bar Feed Dog Seat Screw for 131731..... |
| 190J | 20716 | Lifting Presser Foot Screw..... |
| 190J | 20715 | Slack Thread Controller Clamp Screw... |
| 190J | 20686 | Thread (under) Eyelet (back) Screw... |
| 190J | 20717 | Thread (under) Take-up Stripper Clamp Screw for 131826..... |
| 190J | 20717 | Thread (under) Take-up Stripper Plate Screw for 131826 (3)..... |
| 198E | 20684 | Oil Pipe (back of arm) Connection Cap Screw for 68494 (4)..... |
| 198E | 20684 | Oil Pipe (front of arm) Connection Cap Screw for 131002, 131003 and 131084 (10)..... |
| 203J | 20716 | Feeding Foot Screw..... |
| 205C | 20712 | Arm Rotary Shaft Ball Bearing (back) Case Cap Screw for 31479 (3)..... |
| 207E | 20683 | Feed (lower) Bar Weaving Plate Screw for 131731 (2)..... |
| 207J | 20717 | Thread (under) Take-up Thread Guide (left) Screw for 131826..... |
| 207J | 20717 | Thread (under) Take-up Thread Guide (right) Screw for 131826..... |
| 207J | 20715 | Thread (upper) Nipper Thread Guide Screw..... |
| 208AL | 20692 | Thread Unwinder Thread Guide Rod Screw for 225324..... |
| 211F | 20713 | Thread (upper) Take-up Set Screw for 131400..... |
| 217J | 20712 | Feed (lower) Eccentric Clamping Washer Screw for 54025 (2)..... |
| 217J | 20712 | Feed (upper) Eccentric Clamping Washer Screw for 54456 (2)..... |
| 217J | 20715 | Slack Thread Regulator Screw..... |
| 229E | 20716 | Looper Needle Guard Screw for 131940. |
| 316C | 20686 | Tension (upper thread) Releasing Shaft Stop Screw..... |
| 356C | 20633 | Rock Shaft Knee Arm Hub Set Screw for 2766..... |
| 356C | 20633 | Rock Shaft Knee Plate Set Screw for 2767..... |

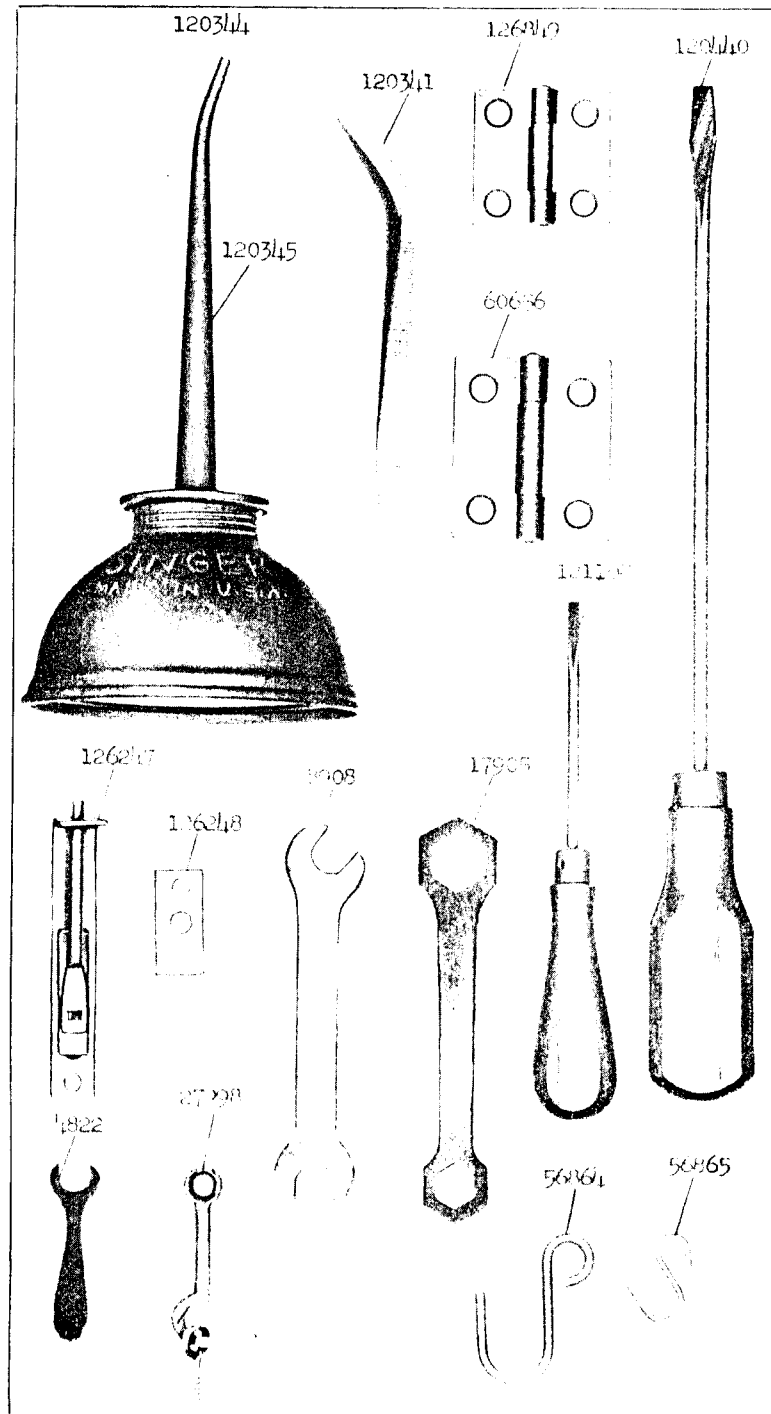
20686 - 1/2



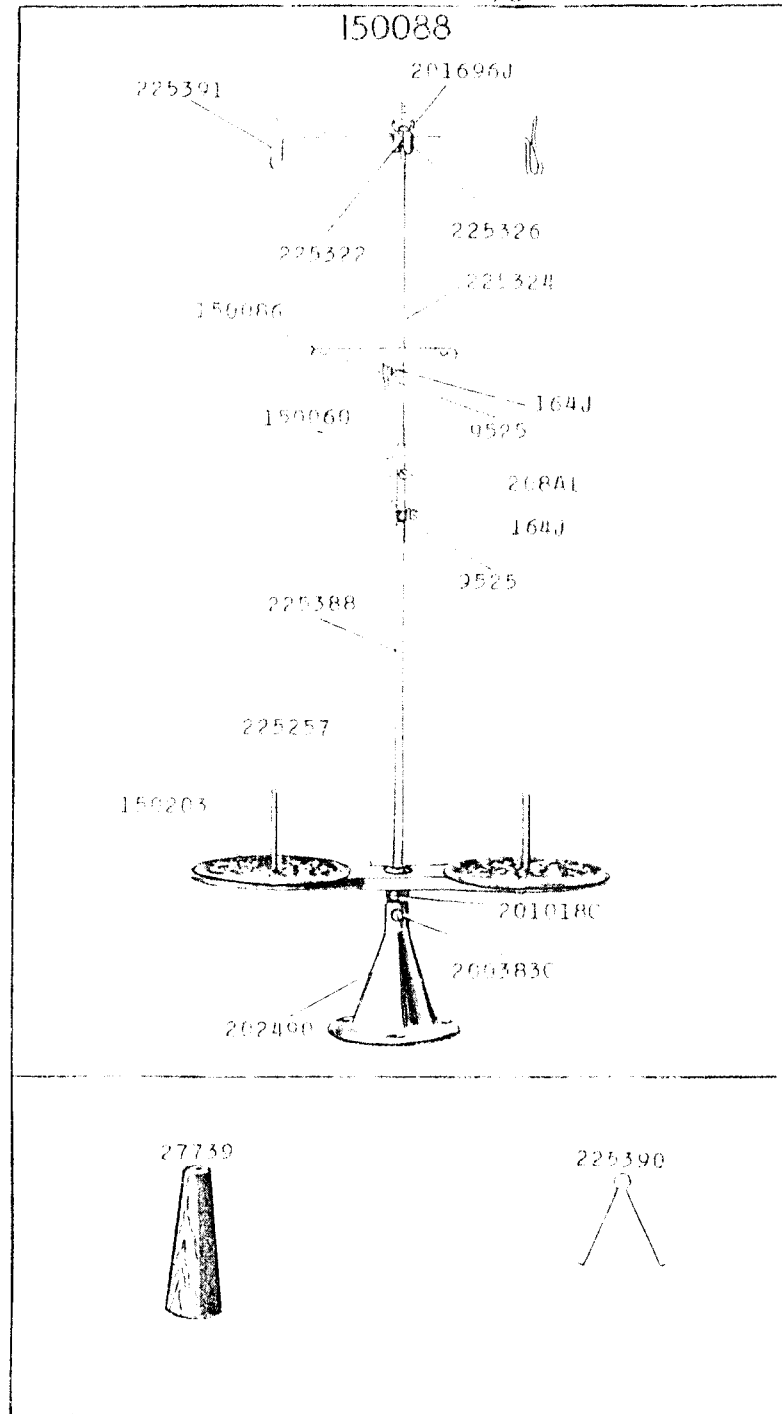
20688 - 1/2

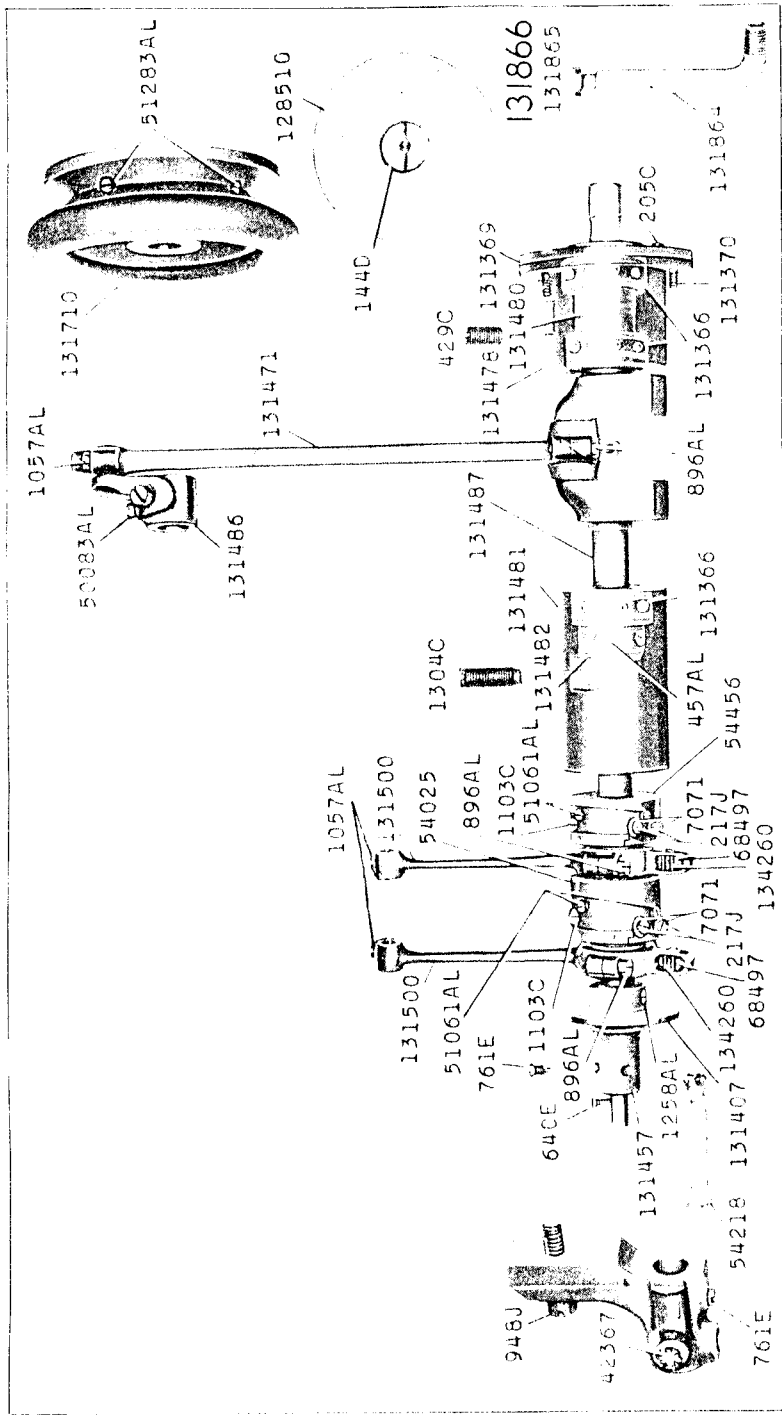
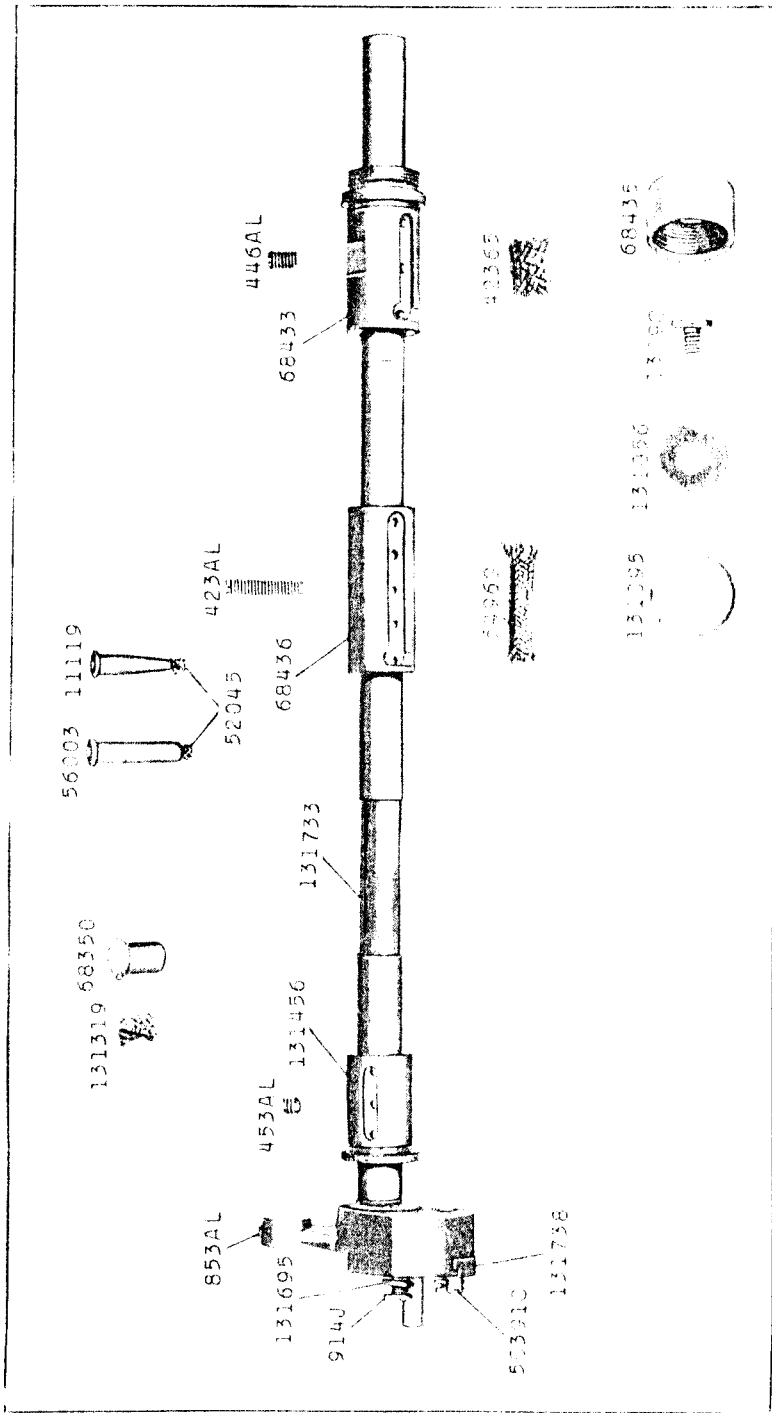


20691 - 1/2

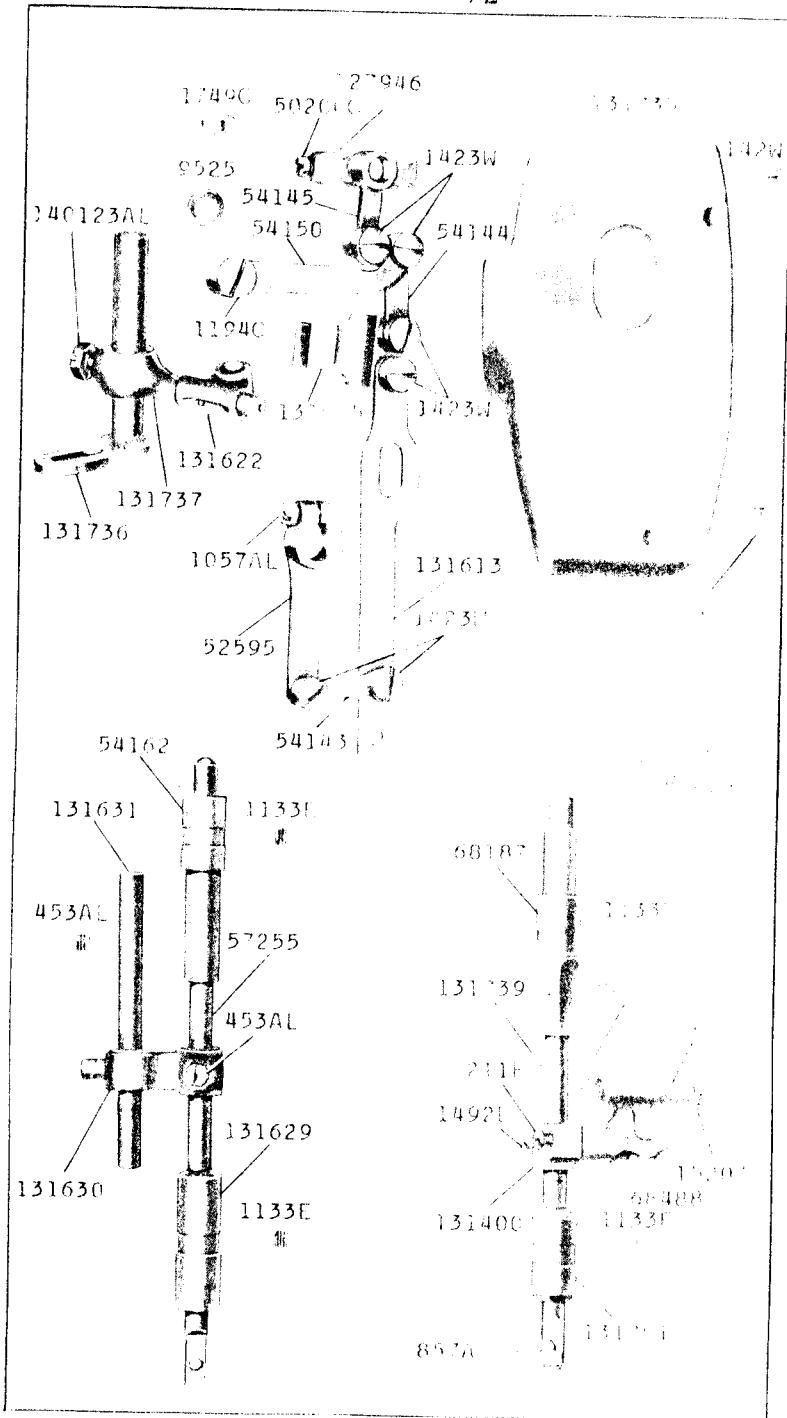


20692 - 1/6

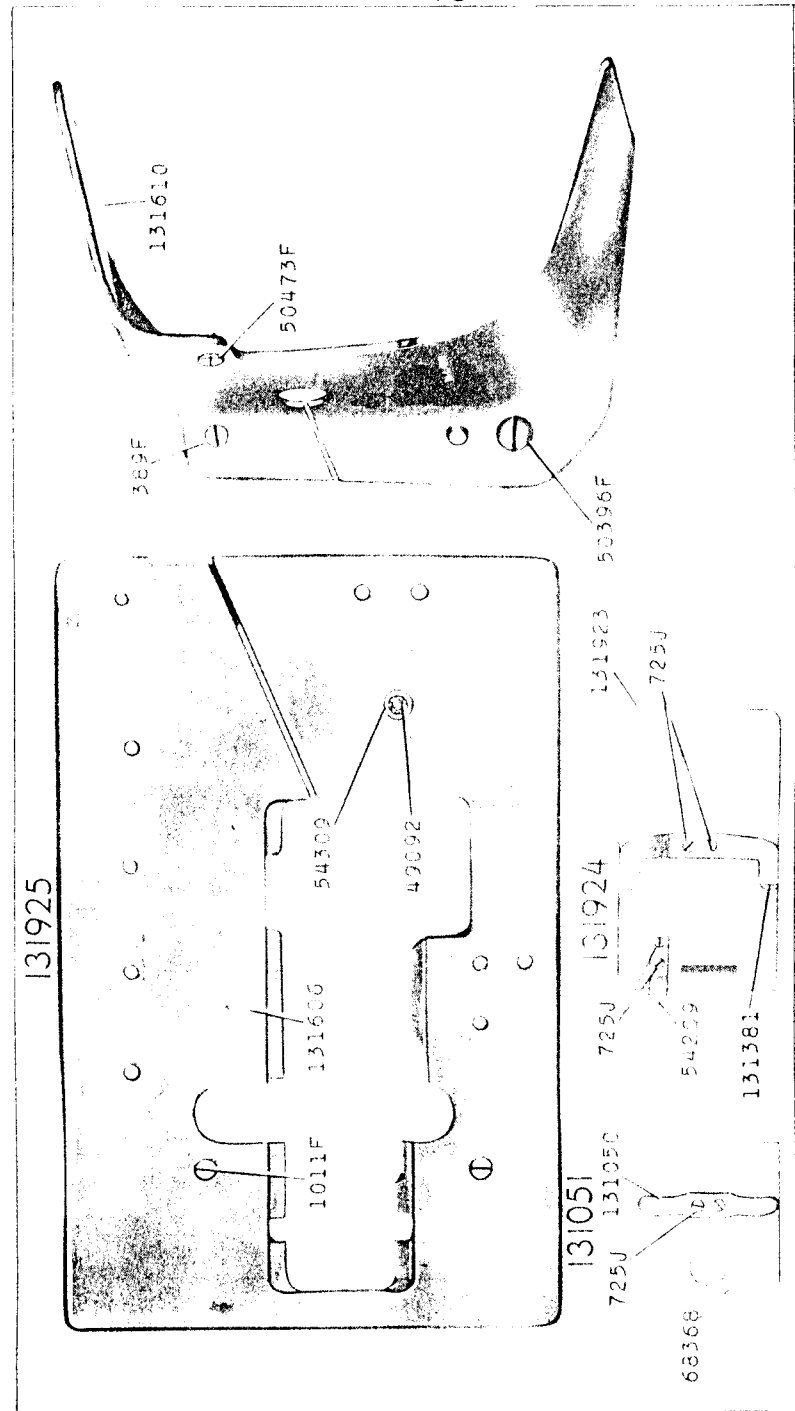




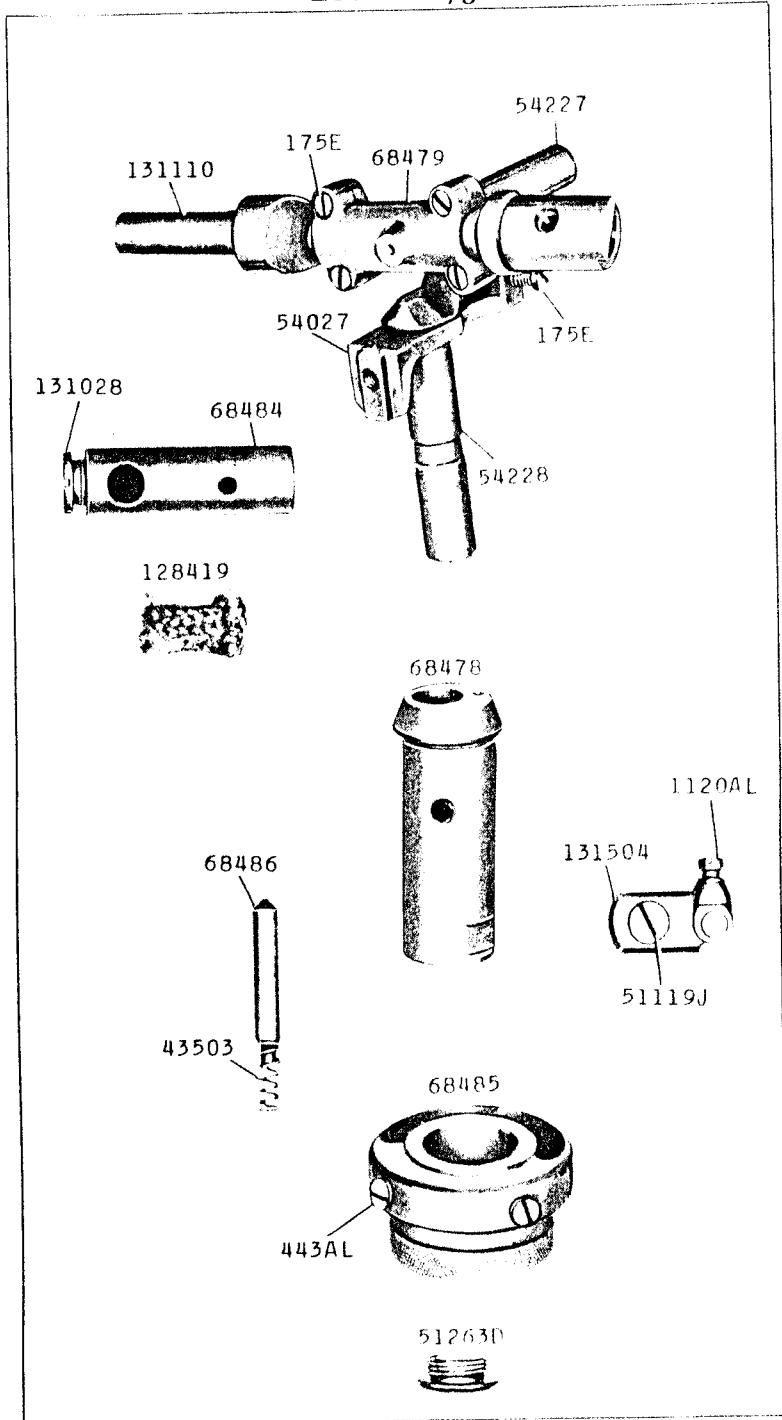
20713 - 1/2



20714 - 1/3



20719 - 2/3



21038 - 1/4

