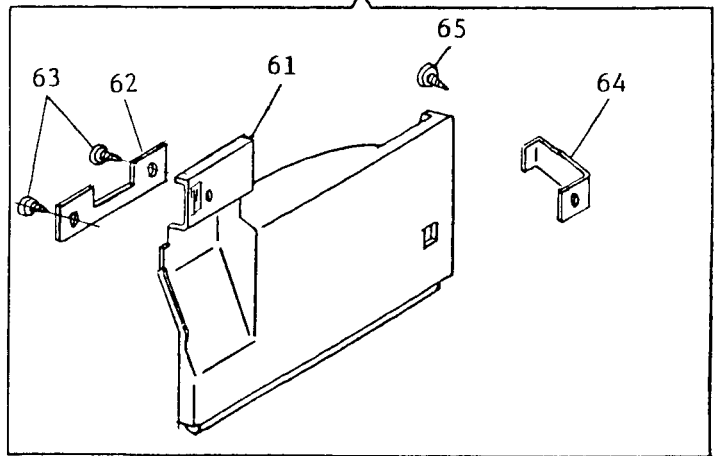
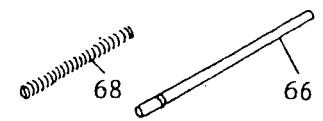
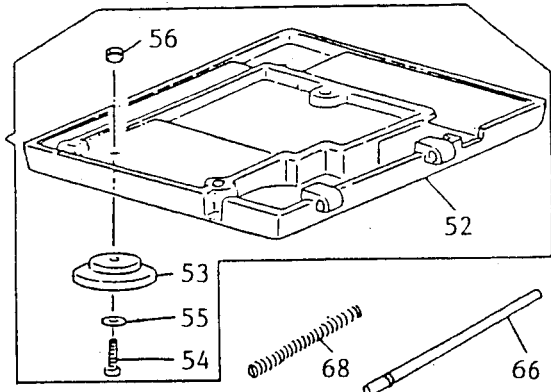
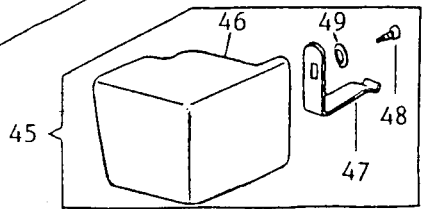
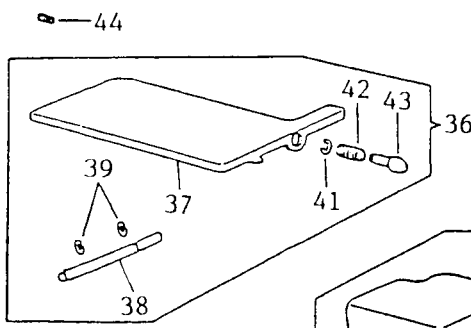
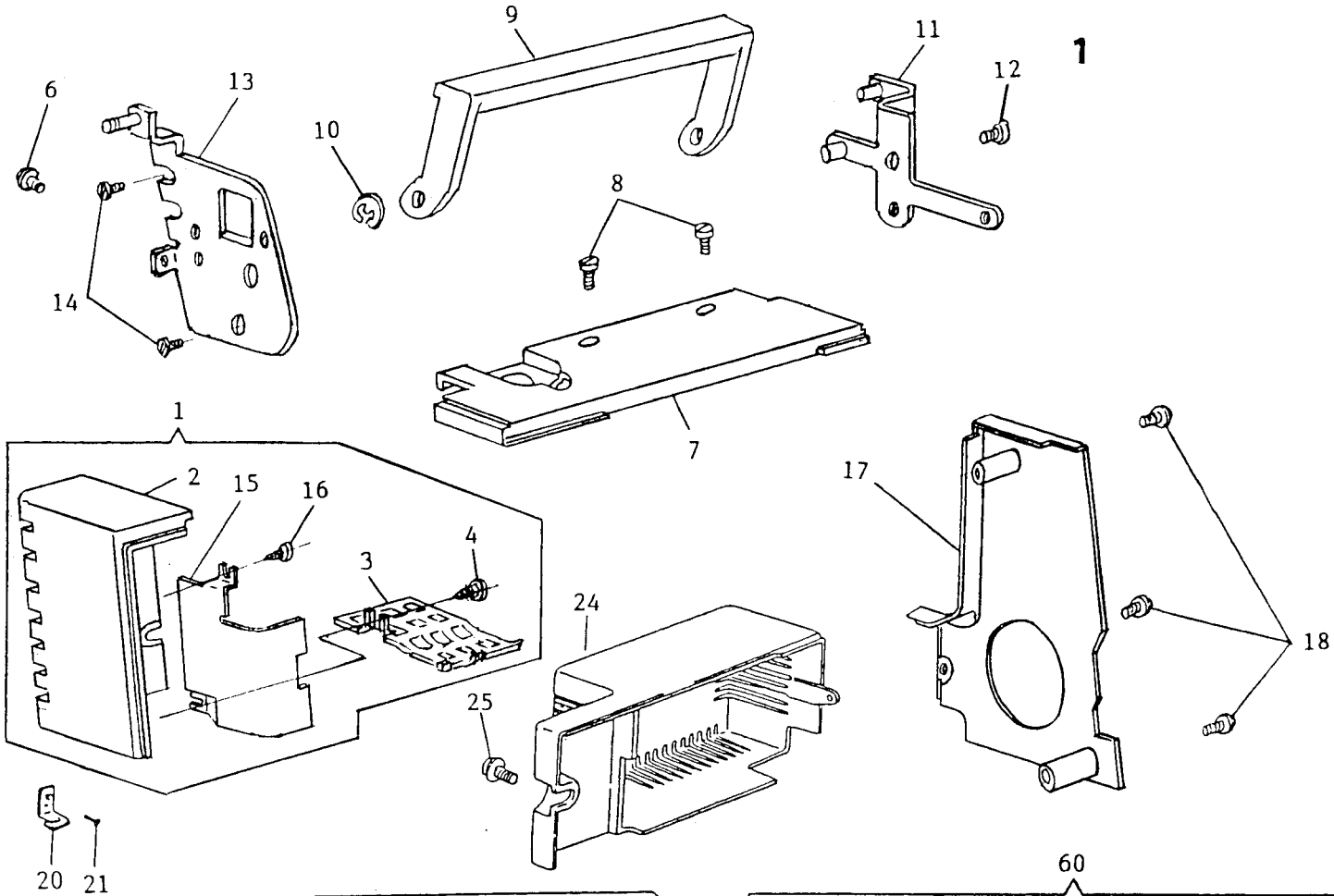
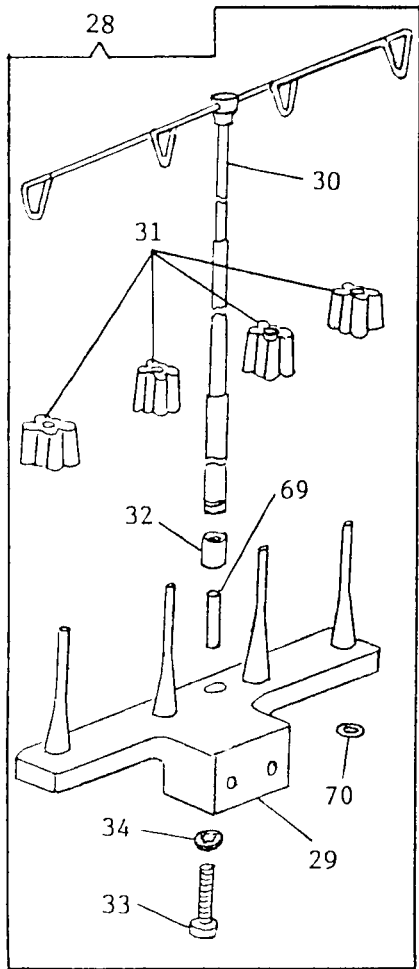


SINGER
14U344B/354B

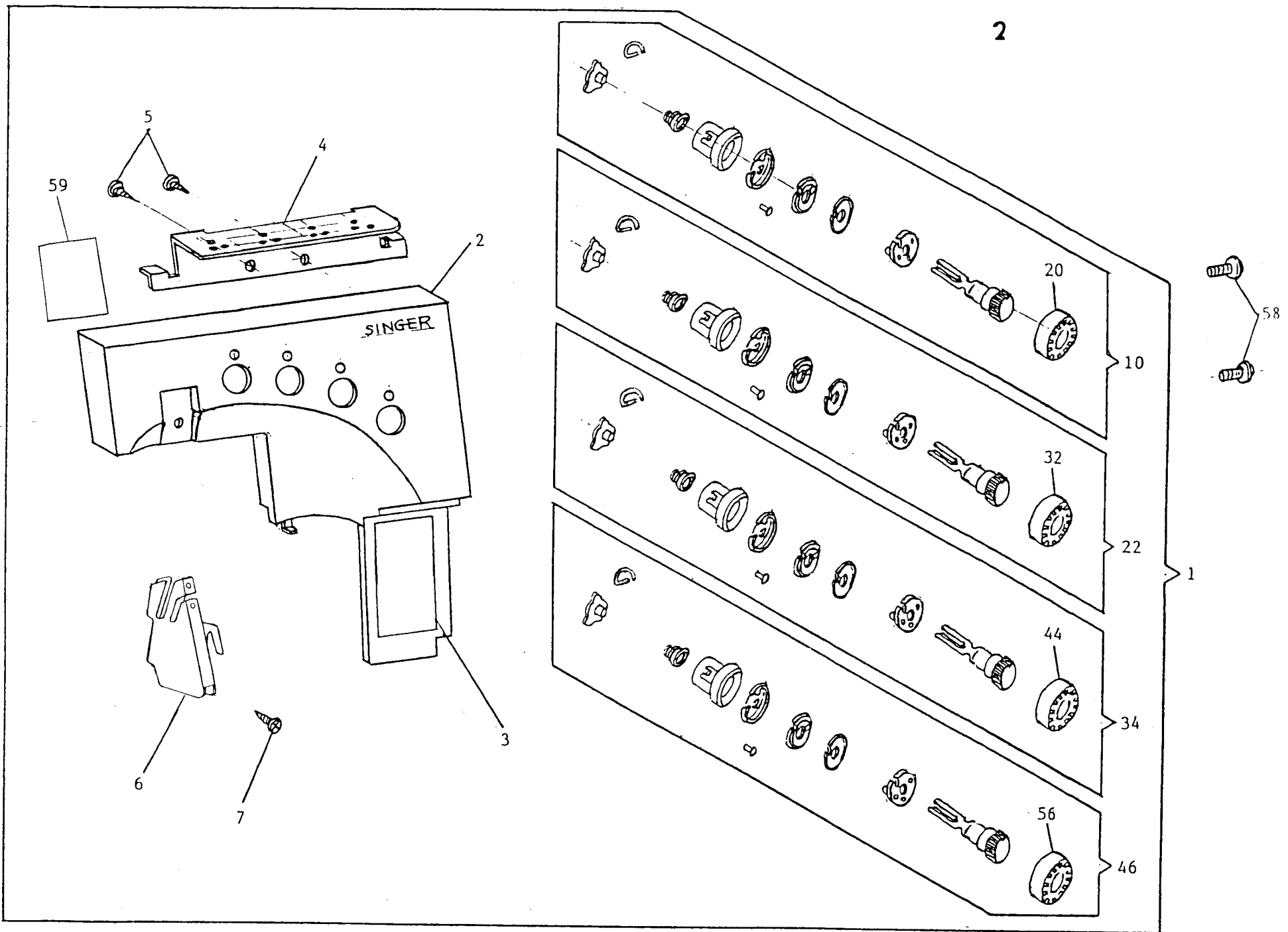
PARTS LIST

SINGER

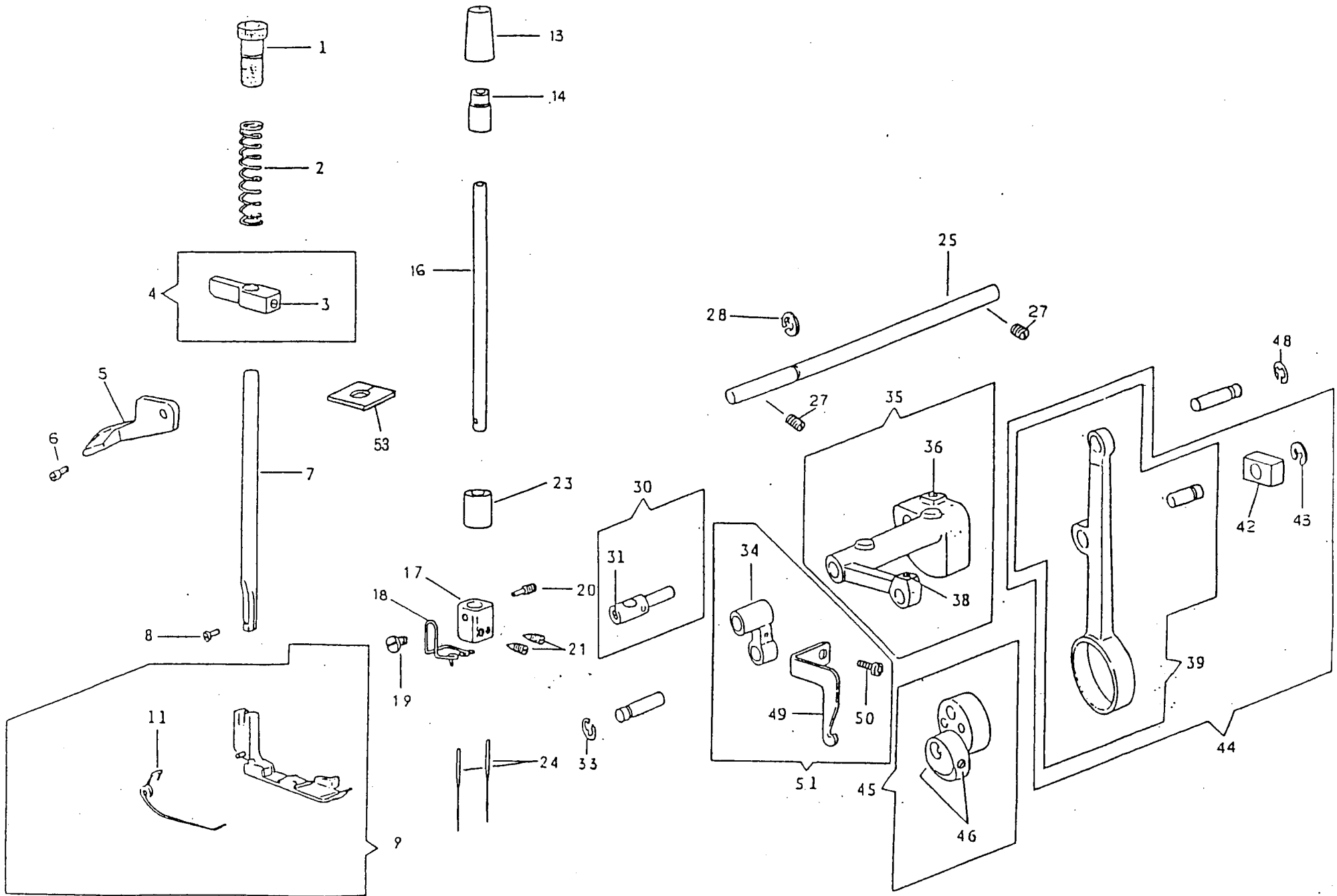
14U344B
14U354B



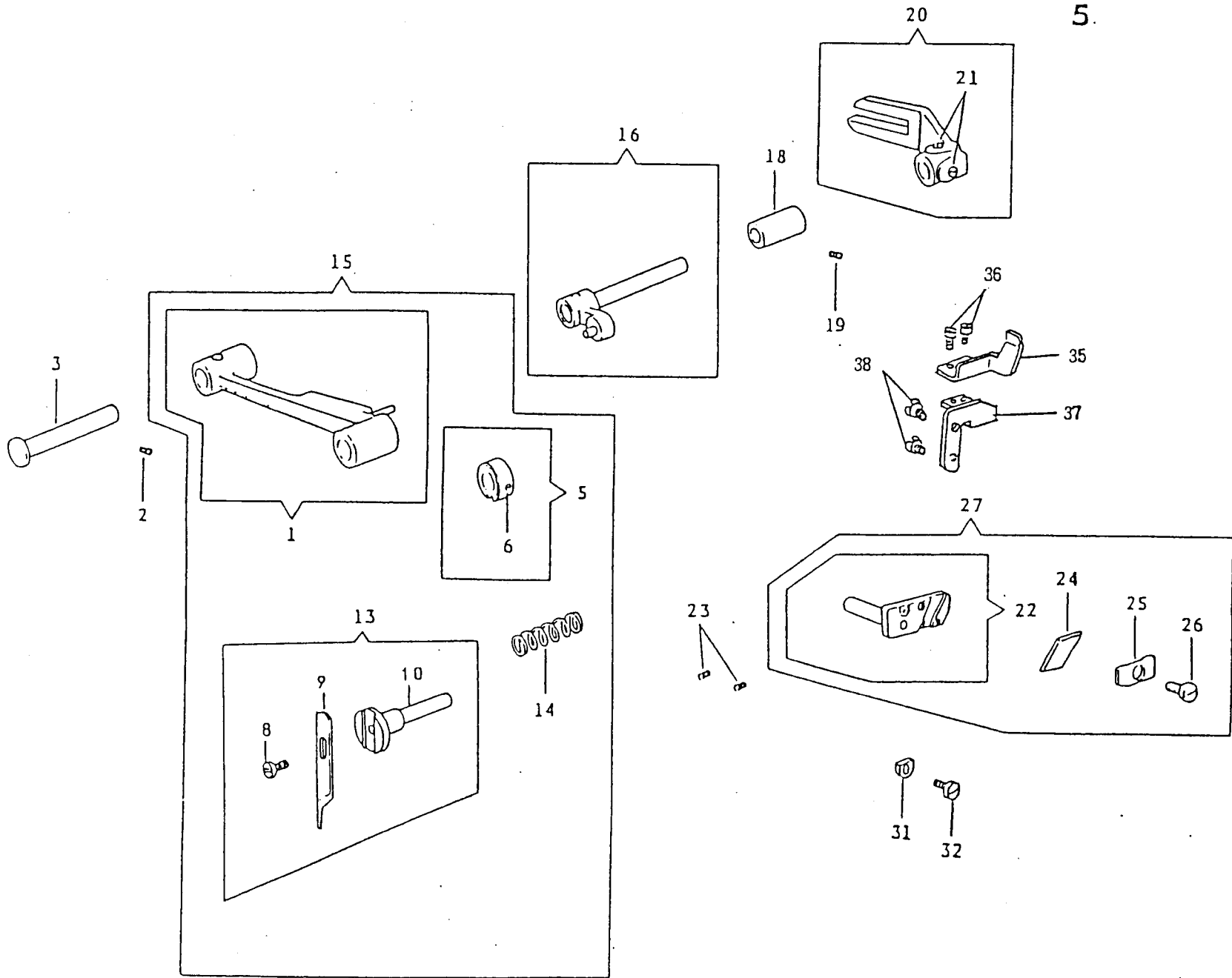
	Part No.	Description		Part No.	Description
1	281444-452	Light Cover comp.	39	546623	Convertible Bed Plate Stud Retaining Ring (2)
2	281445-452	Light Cover			
3	281446	Light Grille	41	546623	Convertible Bed Plate Latch Retaining Ring
4	412697-003	Light Grille Screw	42	376786	Convertible Bed Plate Latch Spring
			43	381874-451	Convertible Bed Plate Latch
6	544270-001	Light Cover Screw	44	544203-001	Convertible Bed Plate Stud Screw
7	281435-452	Top Cover	45	281450-452	Cylinder Cover comp.
8	544212-072	Top Cover Screw (2)	46	281451-452	Cylinder Cover
9	281436-452	Handle	47	412682	Cylinder Cover Spring
10	546623	Handle Retaining Ring	48	412697	Cylinder Cover Spring Clamping Screw
11	281437	Handle Bracket (right) comp.	49	543804-003	Cylinder Cover Sprint Clamping Screw Washer
12	544212-001	Handle Bracket (right) comp. Screw			
13	281441	Handle Bracket (left) comp.	51	376794-005	Machine Base comp. (for 344BA)(344BB)
14	544212-001	Handle Bracket (left) comp. Screw (2)	51	376794-006	Machine Base comp. (for 354BA)(354BB)
15	281478	Light Shield	52	376793-005	Machine Base (for 344BA)(344B)
16	544248-002	Light Shield Screw	52	376793-006	Machine Base (for 354BA)(354BB)
17	281457-452	Pulley Cover	53	410208	Machine Base Cushion (4)
18	544270-001	Pulley Cover Screw (3)	54	544218-002	Machine Base Cushion Screw (4)
			55	543803-004	Machine Base Cushion Washer (4)
20	412534	Needle Thread Guide	56	541166-001	Machine Base Cushion Screw Nut (4)
21	544258	Needle Thread Guide Set Screw	57	544214-005	Machine Base Screw (3)
24	410248-006	Motor Cover	60	281447-458	Looper Cover comp. (for 344BA)
25	544270-001	Motor Cover Screw	60	281447-459	Looper Cover comp. (for 354BA)
			60	281447-460	Looper Cover comp. (for 344BB)
			61	281484-455	Looper Cover (graphic)(for 344BA)
28	281452-452	Thread Unwinder comp.	61	281484-456	Looper Cover (graphic)(for 344BB)
29	281453-452	Thread Unwinder	61	281484-457	Looper Cover (graphic) (for 354BA)(354BB)
30	281454	Thread Unwinder Thread Guide Rod comp.	62	281471-452	Looper Cover Auxiliary Plate
31	546893	Spool Holder (4)	63	544248-002	Looper Cover Auxiliary Plate Screw (2)
32	281455	Thread Unwinder Thread Guide Cushion	64	281472	Looper Cover Hook
33	544212-057	Thread Unwinder Thread Guide Rod Screw	65	544248-002	Looper Cover Hook Screw
34	543803-004	Thread Unwinder Thread Guide Rod Screw Washer	66	281474	Looper Cover Hinge Pin
35	544213-001	Thread Unwinder Comp. Screw (2)	67	543801-002	Looper Cover Hinge Pin Retaining Ring
36	376781-004	Convertible Bed Plate Comp.	68	376717	Looper Cover Hinge Pin Spring
37	376780-904	Convertible Bed Plate (body)	69	543876-001	Thread Unwinder Thread Guide Rod Spacer
38	376785	Convertible Bed Plate Stud	70	543871-003	Thread Unwinder Thread Guide Rod O Ring



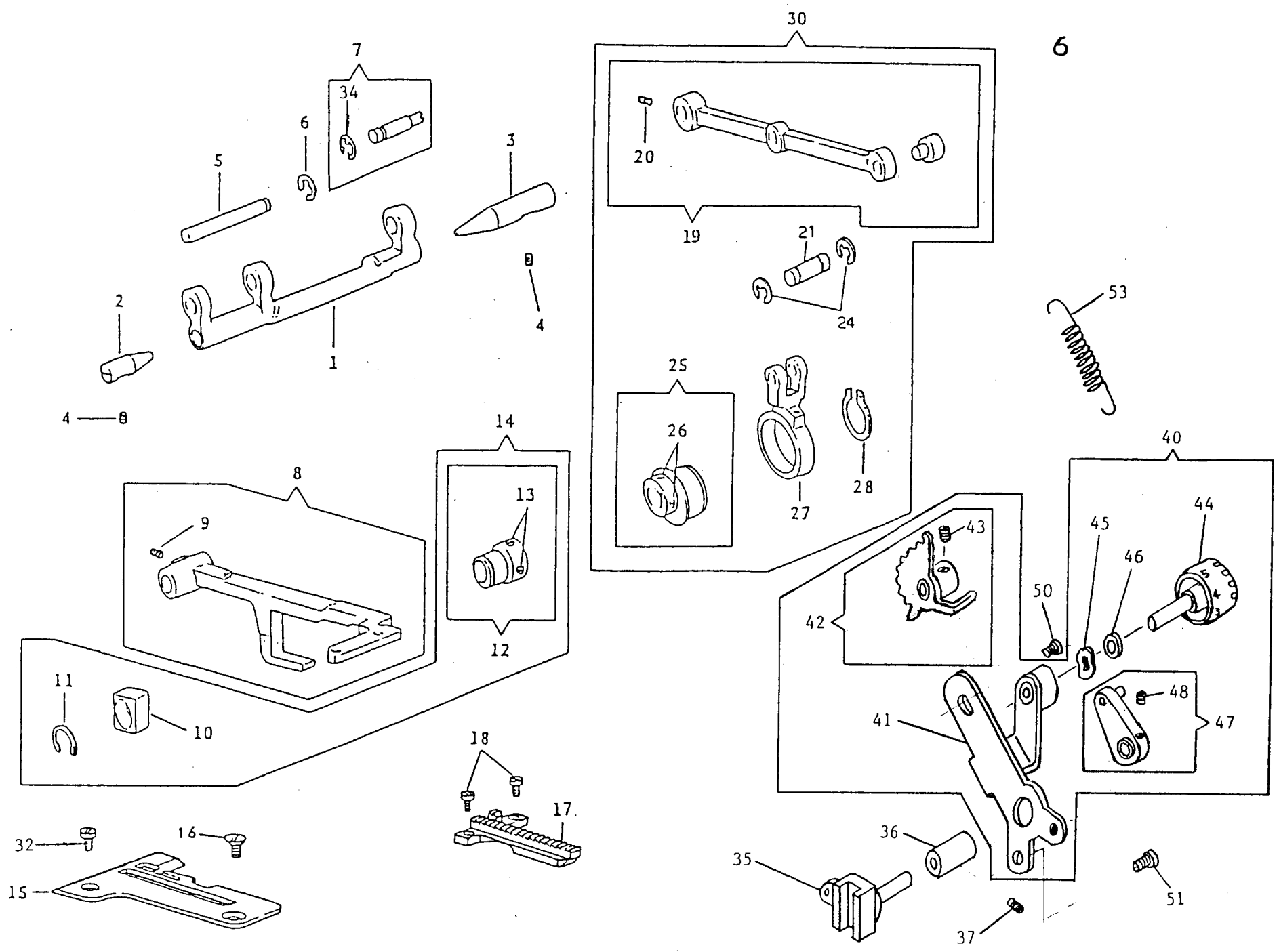
Part No.		Description	Part No.		Description
1	281417-455	Front Cover comp. (for 344BA)(344BB)			
1	281417-456	Front Cover comp. (for 354BA)	32	281425-452	Tension Dial (for 344BA)(344BB)
1	281417-457	Front Cover comp. (for 354BB)	32	281483-456	Tension Dial (for 354BA)(354BB)
2	281418-454	Front Cover (graphic)(for 344BA)(344BB)			
2	281418-455	Front Cover (graphic)(for 354BA)	34	281423-451	One Turn Tension Dial comp. (for right looper) (for 344BA)(344BB)
2	281418-456	Front Cover (graphic)(for 354BB)	34	281423-456	One Turn Tension Dial comp. (for right looper) (for 354BA)(354BB)
3	281466	Threading Chart			
4	281420	Thread Guide Plate			
5	412697-003	Thread Guide Plate Screw (2)			
6	281487	Front Cover Thread Guide Bracket			
7	412697	Front Cover Thread Guide Bracket Screw			
10	281421-451	One Turn Tension Dial comp. (for left needle) (for 344BA)(344BB)			
10	281421-456	One Turn Tension Dial comp. (for left needle) (for 354BA)(354BB)			
			44	281425-453	Tension Dial (for 344BA)(344BB)
			44	281483-457	Tension Dial (for 354BA)(354BB)
			46	281424-451	One Turn Tension Dial comp. (for left looper) (for 344BA)(344BB)
			46	281424-456	One Turn Tension Dial comp. (for left looper) (for 354BA)(354BB)
20	281425-451	Tension Dial (for 344BA)(344BB)			
20	281483-455	Tension Dial (for 354BA)(354BB)			
22	281422-451	One Turn Tension Dial comp. (for right needle) (for 344BA)(344BB)			
22	281422-456	One Turn Tension Dial comp. (for right needle) (for 354BA)(354BB)			
			56	281425-454	Tension Dial (for 344BA)(344BB)
			56	281483-458	Tension Dial (for 354BA)(354BB)
			58	544270-003	Front Cover Screw (3)
			59	369229-901	Caution Label (for lamp)



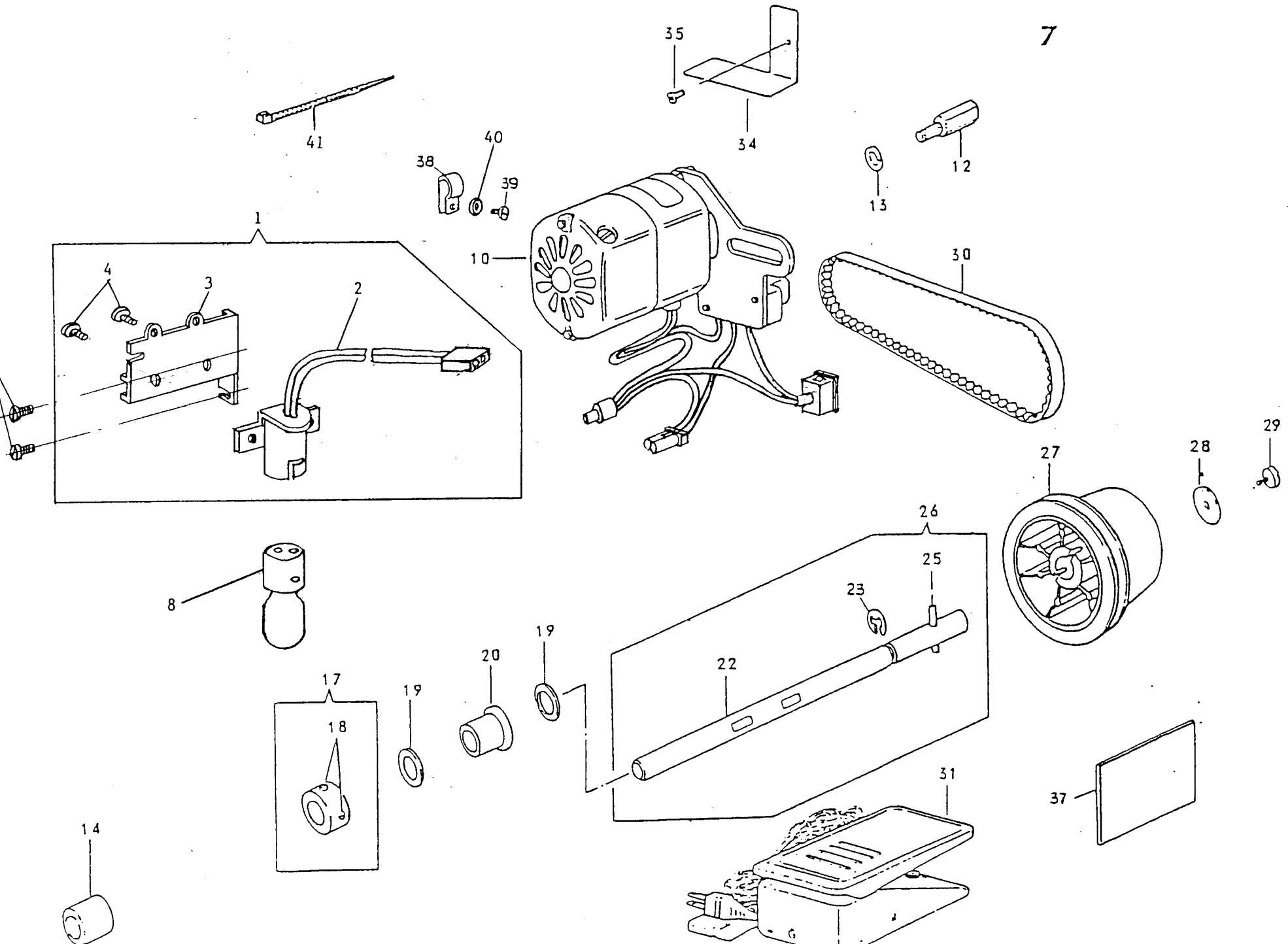
Part No.		Description	Part No.		Description
1	544262-004	Presser Regulating Thum Screw	39	370243	Needle Bar Crank Rod Comp.
2	410355	Presser Bar Spring			
3	544204-001	Presser Bar Guide Bracket Screw			
4	410352	Presser Bar Guide Bracket Comp.	42	511030	Needle Bar Crank Rod Slide Block
5	412787-003	Presser Bar Lifter	43	543801-006	Needle Bar Crank Rod Slide Block Pin Retaining
6	544441	Presser Bar Lifter Screw Stud			Ring
7	410351	Presser Bar	44	370242	Needle Bar Crank Rod Comp.
8	504063-451	Presser Foot Screw	45	410329	Needle Bar Eccentric Cam Comp.
9	376827	Presser Foot Comp.	46	544204-002	Needle Bar Eccentric Cam Set Screw (2)
11	410348	Presser Foot Spring	48	543801-006	Needle Bar Crank Rod Pin Retaining Ring
13	410322-003	Needle Bar Bushing (upper) Cap	49	281488	Striker
14	410323	Needle Bar Bushing (upper)	50	544211-051	Striker Screw
			51	281489	Needle Bar Connecting Link Comp.
16	376844	Needle Bar	53	376567	Presser Bar Felt
17	376520	Needle Clamp			
18	376848	Needle Bar Thread Guide			
19	544211-059	Needle Bar Thread Guide Set Screw			
20	374102	Needle Bar Set Screw			
21	374364	Needle Set Screw (for left and right)(2)			
23	410324	Needle Bar Bushing (lower)			
24	N2054-42-14	Needle (#14)(2)			
25	376814	Arm Shaft			
27	544204-002	Arm Shaft Bushing Set Screw (2)			
28	543801-007	Arm Shaft Retaining Ring			
30	410325	Needle Bar Connecting Stud			
31	544044	Needle Bar Connecting Stud Screw			
33	543801-006	Needle Bar Connecting Link Pin Retaining Ring			
34	410327	Needle Bar Connectin Link			
35	412707-001	Needle Bar Crank Comp.			
36	544203-001	Needle Bar Crank Rod Pin Screw			
38	544203-001	Needle Bar Connecting Link Pin Screw			



	Part No.	Description		Part No.	Description
1	376842-454	Knife (movable) Lever Comp.			
2	544204-001	Knife (movable) Lever Hinge Stud Screw			
3	410310	Knife (movable) Lever Hinge Stud			
5	410308	Knife (movable) Holder Collar Comp.			
6	544203-001	Knife (movable) Holder Coller Set Screw			
8	544407	Knife (movable) Screw			
9	412585	Knife (movable)			
10	412586	Knife (movable) Holder			
13	412584	Knife (movable) Comp.			
14	410307	Knife (movable) Holder Spring			
15	376841-454	Knife (movable) Lever Comp.			
16	410312-012	Knife (movable) Lever Driving Arm Comp.			
18	410316	Knife (movable) Forked Lever Stud Bushing			
19	544204-001	Knife (movable) Forked Lever Stud Bushing Set Screw			
20	410317	Knife (movable) Forked Lever Comp.			
21	544204-001	Knife (movable) Forked Lever Screw (2)			
22	410296	Knife (stationary) Holder			
23	544207-011	Knife (stationary) Holder Screw (2)			
24	412749	Knife (stationary)			
25	410297	Knife (stationary) Clamping Plate			
26	544256	Knife (stationary) Clamping Plate Screw			
27	370226	Knife (stationary) Comp.			
31	410489	Knife (stationary) Holder Positioning Plate			
32	544211-002	Knife (stationary) Holder Positioning Plate Screw			
35	376625	Needle Guard (front)			
36	545180	Needle Guard (front) Screw (2)			
37	376628	Needle Guard Bracket			
38	544211-051	Needle Guard Bracket Screw (2)			



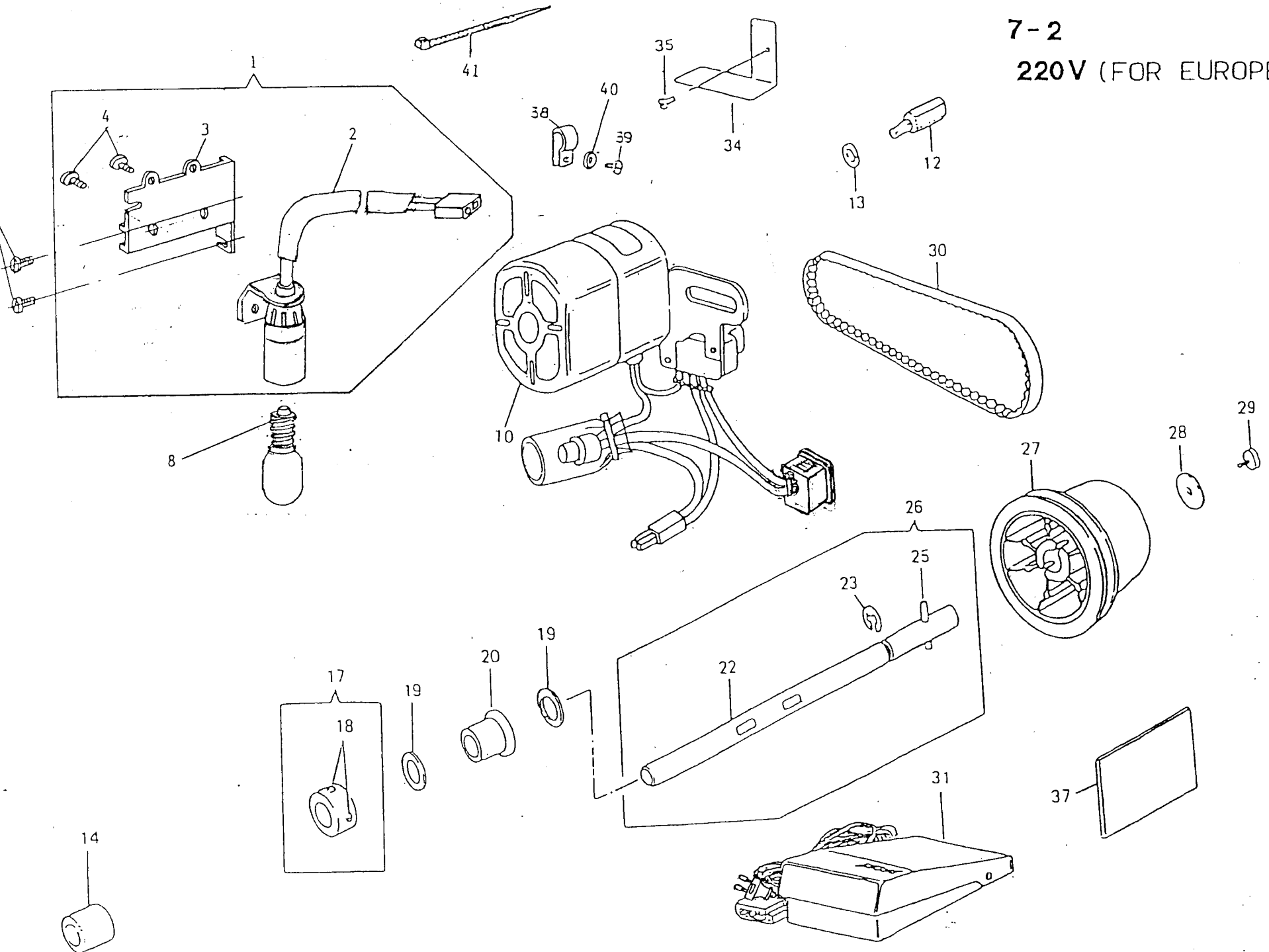
	Part No.	Description		Part No.	Description
1	410378	Feed Crank	40	281467-451	Feed Mechanism Comp. (for 344BA)(344BB)
2	410380	Feed Crank Pin Center (small)	40	281467-453	Feed Mechanism Comp. (for 354BA)(354BB)
3	376795	Feed Crank Pin Center (large)	41	281403	Feed Dial Hub Comp.
4	544204-001	Feed Crank Pin Center Screw (2)	42	281406	Feed Regulator Driving Cam Comp.
5	410381	Feed Crank Pin	43	544207-011	Feed Regulator Driving Cam Screw
6	543801-006	Feed Crank Pin Retaining Ring	44	281410-451	Feed Dial (for 344BA)(344BB)
7	410382	Feed Crank Eccentric Pin Comp.	44	281410-453	Feed Dial (for 354BA)(354BB)
8	410399	Feed Bar Comp.	45	409213	Feed Dial Wave Washer
9	544204-001	Feed Crank Pin Screw	46	543803-005	Feed Dial Washer
10	410387	Feed Lifting Cam Slide Block	47	281413	Feed Regulator Lever Comp.
11	543818-010	Feed Lifting Cam Slide Block Retaining Ring	48	544207-011	Feed Regulator Lever Screw
12	410385	Feed Lifting Cam Comp.			
13	544204-001	Feed Lifting Cam Set Screw (2)	50	544213-001	Feed Dial Hub Bracket Screw (upper)
14	410384	Feed Lifting Cam Comp.	51	544212-001	Feed Dial Hub Bracket Screw (lower)
15	412730	Throat Plate			
16	504050-851	Throat Plate Screw	53	281485	Feed Regulator Lever Spring
17	412783	Feed Dog			
18	544103	Feed Dog Screw (2)			
19	376852	Feed Regulator Crank Rod Comp.			
20	544204-001	Feed Crank Eccentric Pin Screw			
21	410363	Feed Crank Rod Pin			
24	543801-006	Feed Crank Rod Pin Retaining Ring (2)			
25	410360	Feed Cam Comp.			
26	544203-001	Feed Cam Screw (2)			
27	410362	Feed Crank Rod			
28	543802-014	Feed Cam Retaining Ring			
30	376850	Feed Regulator Crank Rod Comp.			
32	412694	Throat Plate Position Screw			
34	543801-007	Feed Crank Eccentric Pin Retaining Ring			
35	281401	Feed Regulator Comp.			
36	410370	Feed Regulator Stud Bushing			
37	544204-001	Feed Regulator Stud Bushing Set Screw			



Part No.		Description	Part No.		Description
1	369207	Lamp Holder, Bracket Comp. (for 120V)	38	542766-001	Cord Holder
2	369206	Lamp Holder Comp. (for 120V)	39	544225-073	Cord Holder Screw
3	281459	Lamp Holder Bracket	40	543804-009	Cord Holder Screw Washer
4	544211-002	Lamp Holder Screw (2)			
5	544212-002	Lamp Holder Bracket Screw (2)	41	540899	Cord Holder Retainer
8	194120-019	Lamp (Bayonet Type)(for 120V, 15W)			
10	419375-007	Motor, Switch Comp. (for 120V)			
12	544259	Motor Bracket Clamping Screw			
13	543805-005	Motor Bracket Clamping Screw Washer			
14	410252	Rotating Shaft Bushing (left)			
17	410470	Rotating Shaft Collar Comp.			
18	544204-001	Rotating Shaft Collar Set Screw (2)			
19	408730	Rotating Shaft Thrust Washer (2)			
20	410253	Rotating Shaft Bushing (right)			
22	376816	Rotating Shaft			
23	543801-010	Rotating Shaft Retaining Ring			
25	543809-004	Rotating Shaft Spring Pin			
26	376808	Rotating Shaft Comp.			
27	410268-005	Pulley			
28	543848	Pulley Set Screw Washer			
29	544270-001	Pulley Set Screw			
30	412721	Motor Belt			
31	419115-004	Controller Comp. (for 120V)			
34	412737	Cord Clamping Plate			
35	544212-001	Cord Clamping Plate Screw			
37	369230-900	Electrical Data Plate (for 120V)(for 344BA)			
37	369231-900	Electrical Data plate (for 120V)(for 354BA)			
37	369232-901	Electrical Data Plate (for 120V)(for 344BB)			
37	369233-901	Electrical Data Plate (for 120V)(for 354BB)			

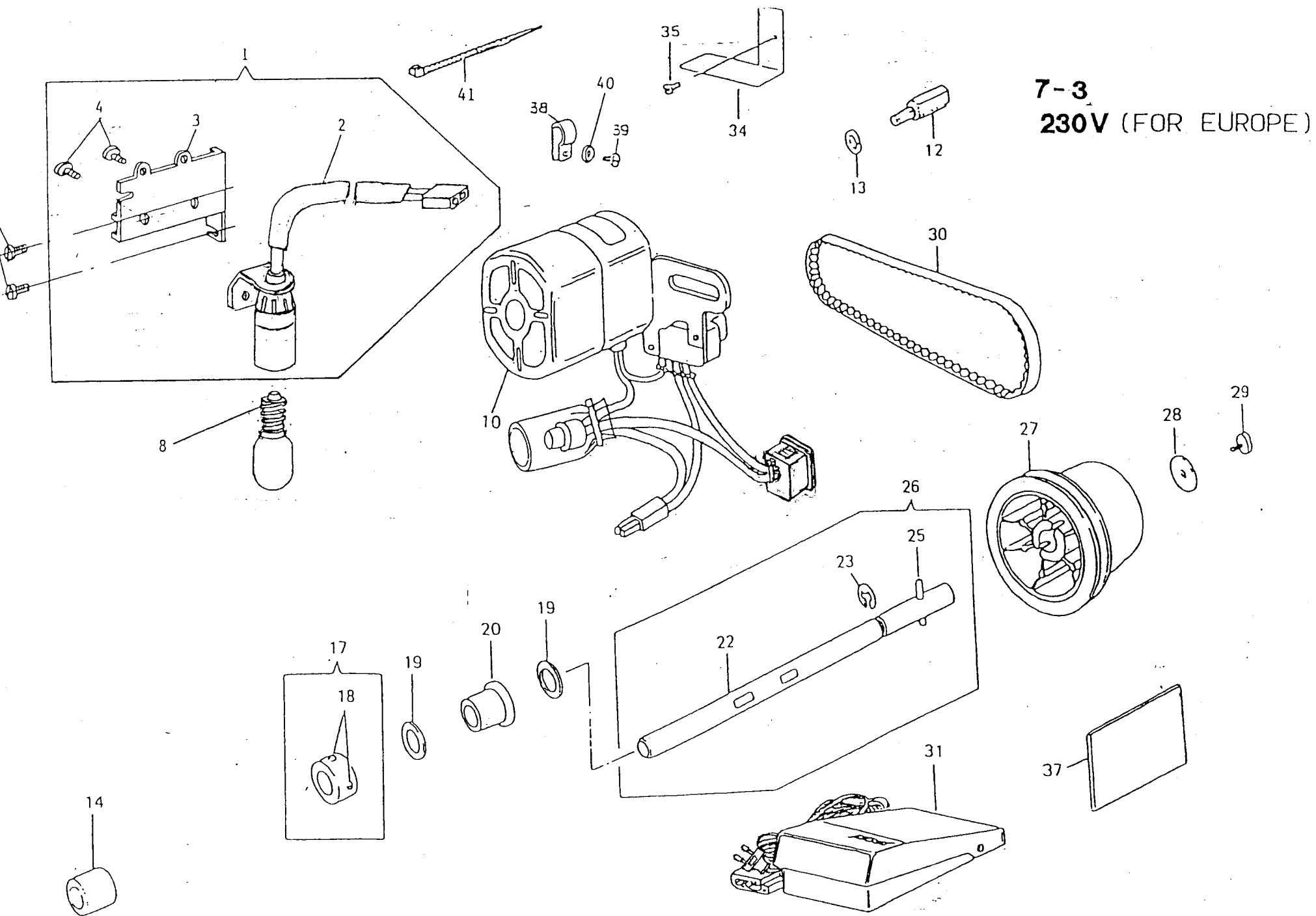
7-2

220V (FOR EUROPE)



220V (FOR EUROPE)

220V (FOR EUROPE)			7-2		
Part No.	Description	Part No.	Description		
1	369238 Lamp Holder, Bracket Comp. (for 220V)	38	542766-001 Cord Holder		
2	369213 Lamp Holder Comp. (for 220V)	39	544225-073 Cord Holder Screw		
3	281459 Lamp Holder Bracket	40	543804-009 Cord Holder Screw Washer		
4	544211-002 Lamp Holder Screw (2)				
5	544212-002 Lamp Holder Bracket Screw (2)	41	540899 Cord Holder Retainer		
8	369215-001 Lamp (Screw Type) (for 220V, 15W)				
10	419196-357 Motor, Switch Comp. (for 220V)	10	419196-457 Motor, Switch Comp. (for SAUDI ARABIA/PHILIPPINES)		
12	544259 Motor Bracket Clamping Screw	31	419465-451 Controller Comp. (for SAUDI ARABIA/PHILIPPINES)		
13	543805-005 Motor Bracket Clamping Screw Washer	39	419293-907 Electrical Data Plate (for SAUDI ARABIA/PHILIPPINES) (for 344BB)		
14	410252 Rotating Shaft Bushing (left)	39	419293-908 Electrical Data Plate (for SAUDI ARABIA/PHILIPPINES) (for 354BB)		
17	410470 Rotating Shaft Collar Comp.				
18	544204-001 Rotating Shaft Collar Set Screw (2)				
19	408730 Rotating Shaft Thrust Washer (2)				
20	410253 Rotating Shaft Bushing (right)				
22	376816 Rotating Shaft				
23	543801-010 Rotating Shaft Retaining Ring				
25	543809-004 Rotating Shaft Spring Pin.				
26	376808 Rotating Shaft Comp.				
27	410268-005 Pulley				
28	543848 Pulley Set Screw Washer				
29	544270-001 Pulley Set Screw				
30	412721 Motor Belt				
31	419465-151 Controller Comp. (for 220V)				
34	412737 Cord Clamping Plate				
35	544212-001 Cord Clamping Plate Screw				
37	369243-901 Electrical Data Plate (for 220V) (for 344BA)				
37	369243-902 Electrical Data plate (for 220V) (for 354BA)				
37	369243-907 " " " (") (for 344BB)				
37	369243-908 " " " (") (for 354BB)				



7-3
230V (FOR EUROPE)

230V (FOR EUROPE)

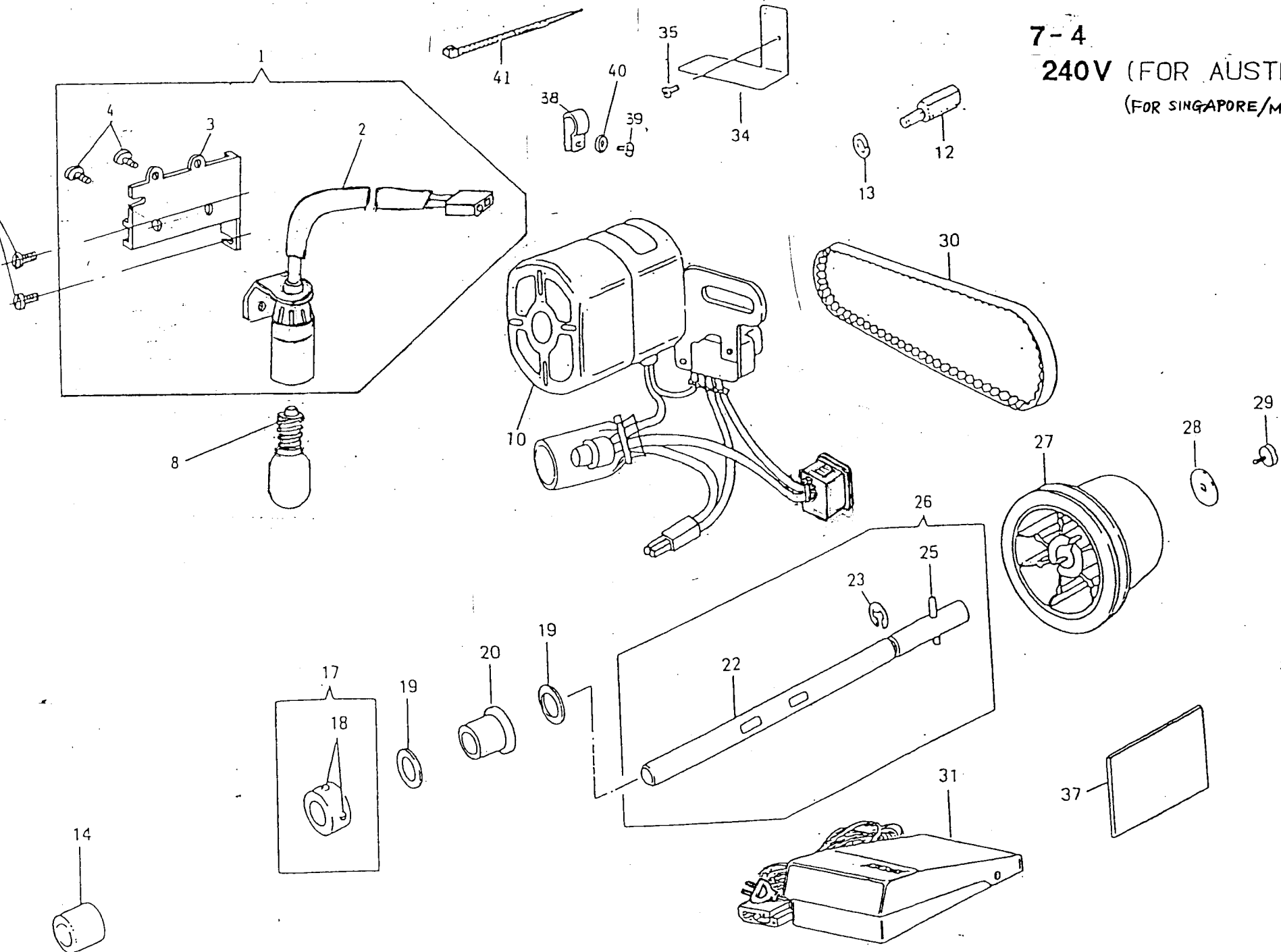
7-3

Part No.	Description	Part No.	Description
1 369238	Lamp Holder, Bracket Comp. (for 230V)	38 542766-001	Cord Holder
2 369213	Lamp Holder Comp. (for 230V)	39 544225-073	Cord Holder Screw
3 281459	Lamp Holder Bracket	40 543804-009	Cord Holder Screw Washer
4 544211-002	Lamp Holder Screw (2)		
5 544212-002	Lamp Holder Bracket Screw (2)	41 540899	Cord Holder Retainer
8 369215-001	Lamp (Screw Type)(for 230V, 15W)		
10 369221-357	Motor, Switch Comp. (for 230V)		
12 544259	Motor Bracket Clamping Screw		
13 543805-005	Motor Bracket Clamping Screw Washer		
14 410252	Rotating Shaft Bushing (left)		
17 410470	Rotating Shaft Collar Comp.		
18 544204-001	Rotating Shaft Collar Set Screw (2)		
19 408730	Rotating Shaft Thrust Washer (2)		
20 410253	Rotating Shaft Bushing (right)		
22 376816	Rotating Shaft		
23 543801-010	Rotating Shaft Retaining Ring		
25 543809-004	Rotating Shaft Spring Pin		
26 376808	Rotating Shaft Comp.		
27 410268-005	Pulley		
28 543848	Pulley Set Screw Washer		
29 544270-001	Pulley Set Screw		
30 412721	Motor Belt		
31 419465-165	Controller Comp. (for 230V)		
34 412737	Cord Clamping Plate		
35 544212-001	Cord Clamping Plate Screw		
37 369242-907	Electrical Data Plate (for 230V)(for 344BB)		
37 369242-908	Electrical Data plate (for 230V)(for 354BB)		

7-4

240V (FOR AUSTRALIA)

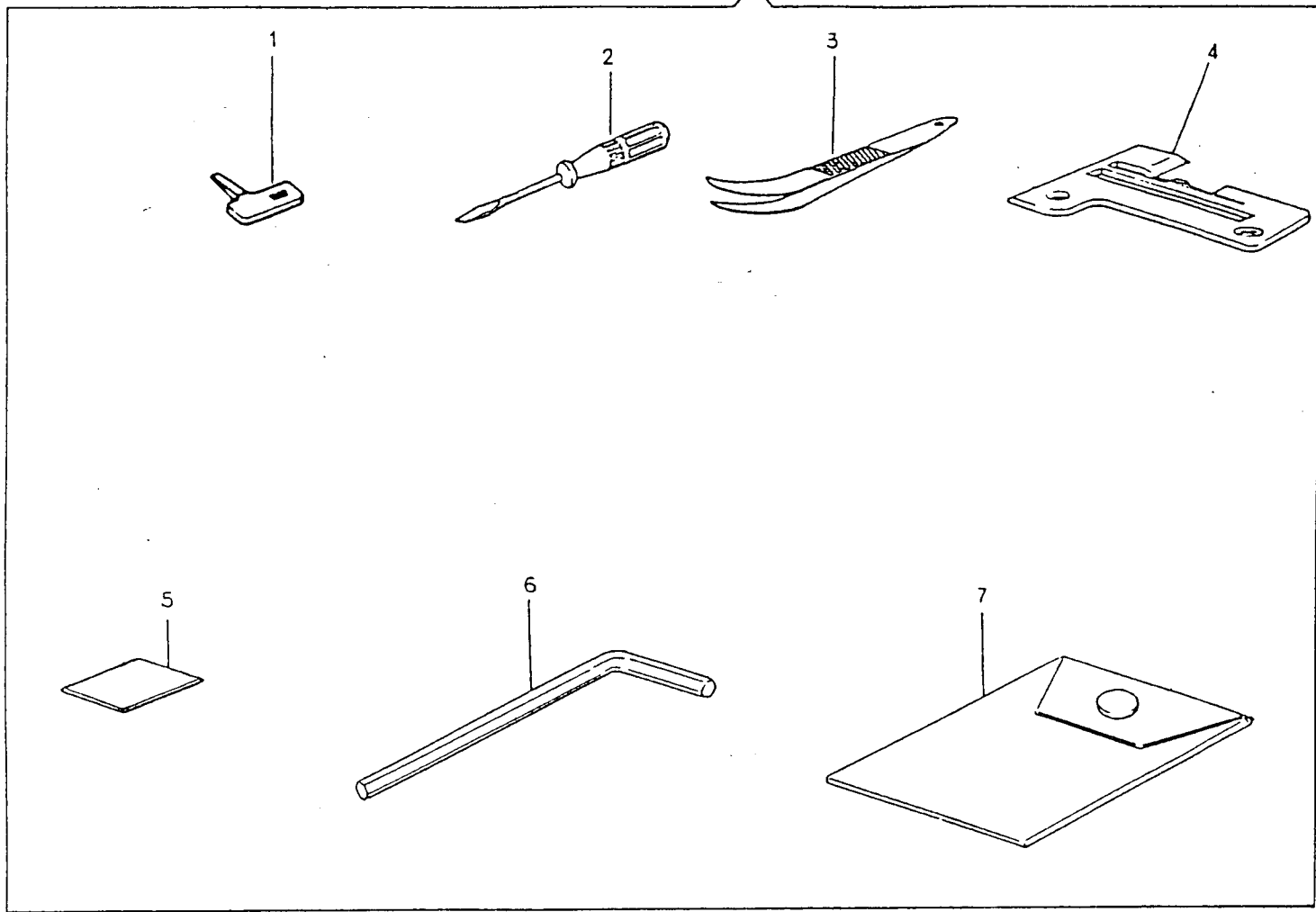
(FOR SINGAPORE/MALAYSIA)



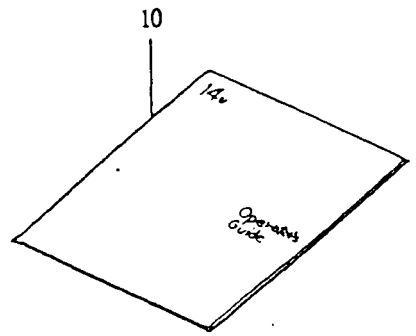
240V (FOR AUSTRALIA)(FOR SINGAPORE/MALAYSIA)

Part No.		Description	Part No.		Description
1	369238	Lamp Holder, Bracket Comp. (for 240V)	38	542766-001	Cord Holder
2	369213	Lamp Holder Comp. (for 240V)	39	544225-073	Cord Holder Screw
3	281459	Lamp Holder Bracket	40	543804-009	Cord Holder Screw Washer
4	544211-002	Lamp Holder Screw (2)			
5	544212-002	Lamp Holder Bracket Screw (2)	41	540899	Cord Holder Retainer
8	369215-001	Lamp. (Screw Type)(for 240V, 15W)			
10	419196-167	Motor, Switch Comp. (for 240V)			
12	544259	Motor Bracket Clamping Screw			
13	543805-005	Motor Bracket Clamping Screw Washer	31	419465-163	Controller Comp. (for SINGAPORE/MALAYSIA)
14	410252	Rotating Shaft Bushing (left)	37	419482-905	Electrical Data Plate (for SINGAPORE/MALAYSIA)
17	410470	Rotating Shaft Collar Comp.			
18	544204-001	Rotating Shaft Collar Set Screw (2)			
19	408730	Rotating Shaft Thrust Washer (2)			
20	410253	Rotating Shaft Bushing (right)			
22	376816	Rotating Shaft			
23	543801-010	Rotating Shaft Retaining Ring			
25	543809-004	Rotating Shaft Spring Pin			
26	376808	Rotating Shaft Comp.			
27	410268-005	Pulley			
28	543848	Pulley Set Screw Washer			
29	544270-001	Pulley Set Screw			
30	412721	Motor Belt			
31	419465-161	Controller Comp. (for 240V)(for AUSTRALIA)			
34	412737	Cord Clamping Plate			
35	544212-001	Cord Clamping Plate Screw			
37	419377-906	Electrical Data Plate (for 240V)(for 3.44BB)			
37	419377-907	Electrical Data plate (for 240V)(for 3.54BB) (for AUSTRALIA)			

8



8



	Part No.	Description		Part No.	Description
1	541561	Driver (Sheet Metal)			
2	541514	Driver (Small Size)			
3	376638	Tweezers			
4	412784	Throat Plate Comp. (for Rolled Hem)			
5	410189	Needle Pack			
6	543066	Hexagon Wrench Key			
7	410191	Accessory Pack			
8	370229-004	Accessory Set			
10	379371-002	Operator's Guide (for ENGLISH)			

Part No..	Description	Part No..	Description
1	412618 Differential Feed Crank Comp.	34	544203-001 Differential Feed Adjusting Lever Stud Screw (2)
2	544204-001 Differential Feed Crank Stud Screw	35	376784 Differential Feed Konb Screw
3	543801-006 Differential Feed Crank Stud Retaining Ring	36	412645 Differential Feed Adjusting Lever Guide Plate
4	412620 Differential Feed Crank Stud	37	544212-001 Differential Feed Adjusting Lever Guide Plate Screw (2)
5	412628 Differential Feed Shaft	38	412655-902 Differential Feed Sticker
6	543801-006 Differential Feed Shaft Retaining Ring	39	376518 Differential Feed Arm Comp.
7	410324 Differential Feed Shaft Bushing (2)	40	544212-055 Differential Feed Arm Clamping Screw
8	544103 Main Feed Dog Screw	41	412634 Auxiliary Feed Bar Driving Pin
9	376521 Main Feed Dog	42	376522 Auxiliary Feed Dog
10	412621 Differential Feed Crank Rod Comp.	43	544490 Auxiliary Feed Dog Screw
11	544204-001 Differential Feed Adjusting Arm Screw	44	410266 Auxiliary Feed Bar Guide Pin Comp.
12	412623 Differential Feed Adjusting Arm Comp.	45	410422 Auxiliary Feed Bar Guide Pin Wick
13	412627 Differential Feed Crank Rod Stud	46	412648 Auxiliary Feed Bar
14	543801-006 Differential Feed Crank Rod Stud Retaining Ring (2)	47	544203-001 Auxiliary Feed Bar Guide Pin Screw
15	544203-001 Differential Feed Adjusting Lever Arm Pin Screw	48	544204-001 Feed Crank Pin Screw
16	412625 Differential Feed Adjusting Lever Arm Comp.	49	412646 Main Feed Bar Comp.
17	412622 Differential Feed Crank Rod	50	375390 Differential Feed Shaft Collar Comp.
18	543801-002 Differential Feed Safety Plate Stud (upper) Retaining Ring (2)	51	544203-001 Differential Feed Shaft Collar Screw
19	412643 Differential Feed Safety Plate Stud (upper)	53	543531 Auxiliary Feed Bar Guide Pin Thrust Washer
20	412636 Differential Feed Adjusting Lever Comp.		
21	412642 Differential Feed Safety Plate Stud (lower)		
22	543801-002 Differential Feed Safety Plate Stud (lower) Retaining Ring (2)		
23	412641 Differential Feed Safety Plate		
24	543801-006 Differential Feed Adjusting Lever Pin Retaining Ring (4)		
25	412638 Differential Feed Adjusting Lever Pin (2)		
26	412640 Differential Feed Adjusting Lever (upper)		
27	412639 Differential Feed Adjusting Lever Link		
28	412637 Differential Feed Adjusting Lever (lower)		
29	543801-006 Differential Feed Adjusting lever Arm Pin Retaining Ring		
30	412635 Differential Feed Adjusting Lever Arm Pin		
31	543860-003 Differential Feed Konb Screw Retaining Ring		
32	412644 Differential Feed Adjusting Lever Stud (2)		
33	543801-006 Differential Feed Adjusting Lever Stud Retaining Ring (4)		