

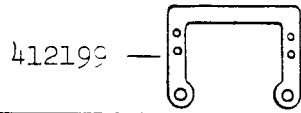
**ILLUSTRATED
PARTSLIST
FOR
SINGER***

**UNDER BED THREAD
TRIMMER**

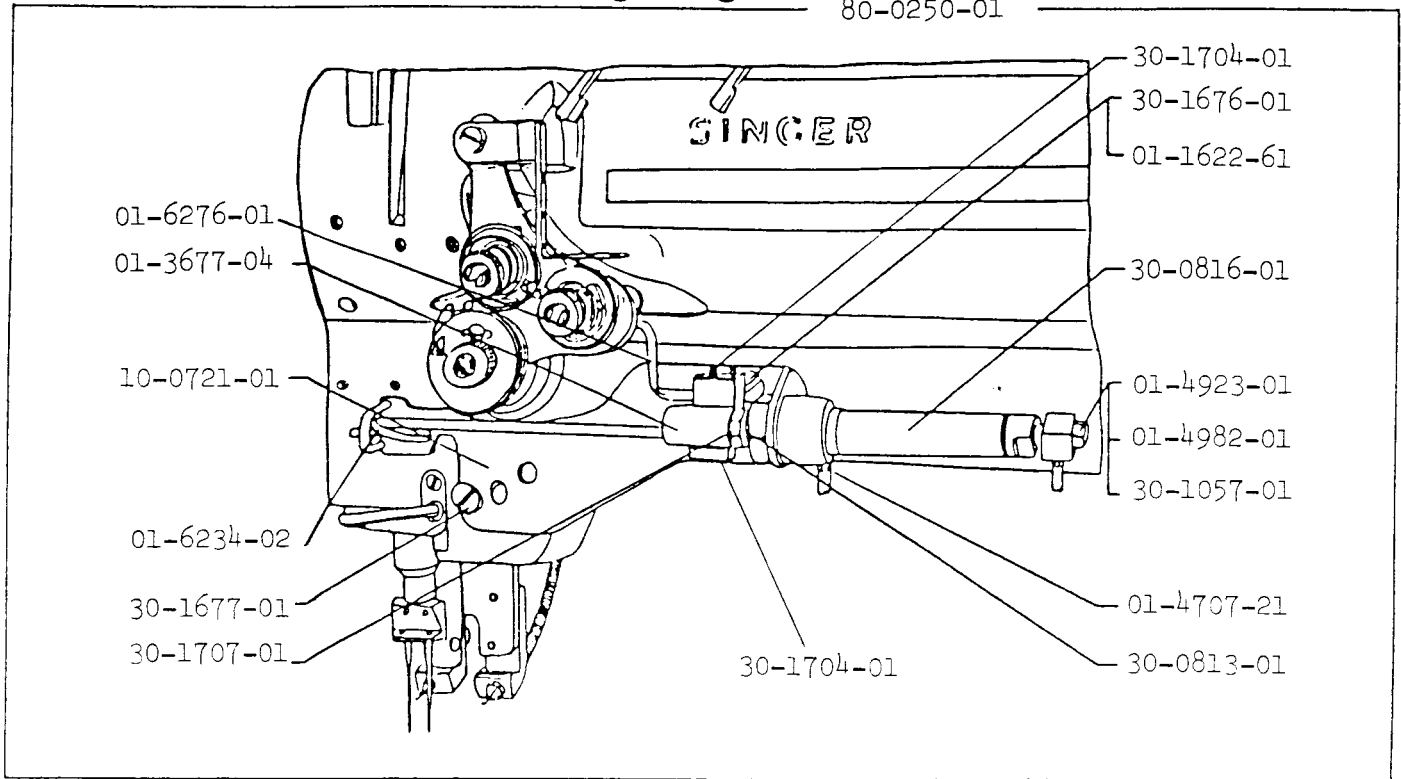
FOR 212U442AUTT

NOTE: When ordering parts for the following pages add prefix "810-" in front of each number.
For parts on machine refer to ILLUSTRATED PARTS LIST, form U3324.

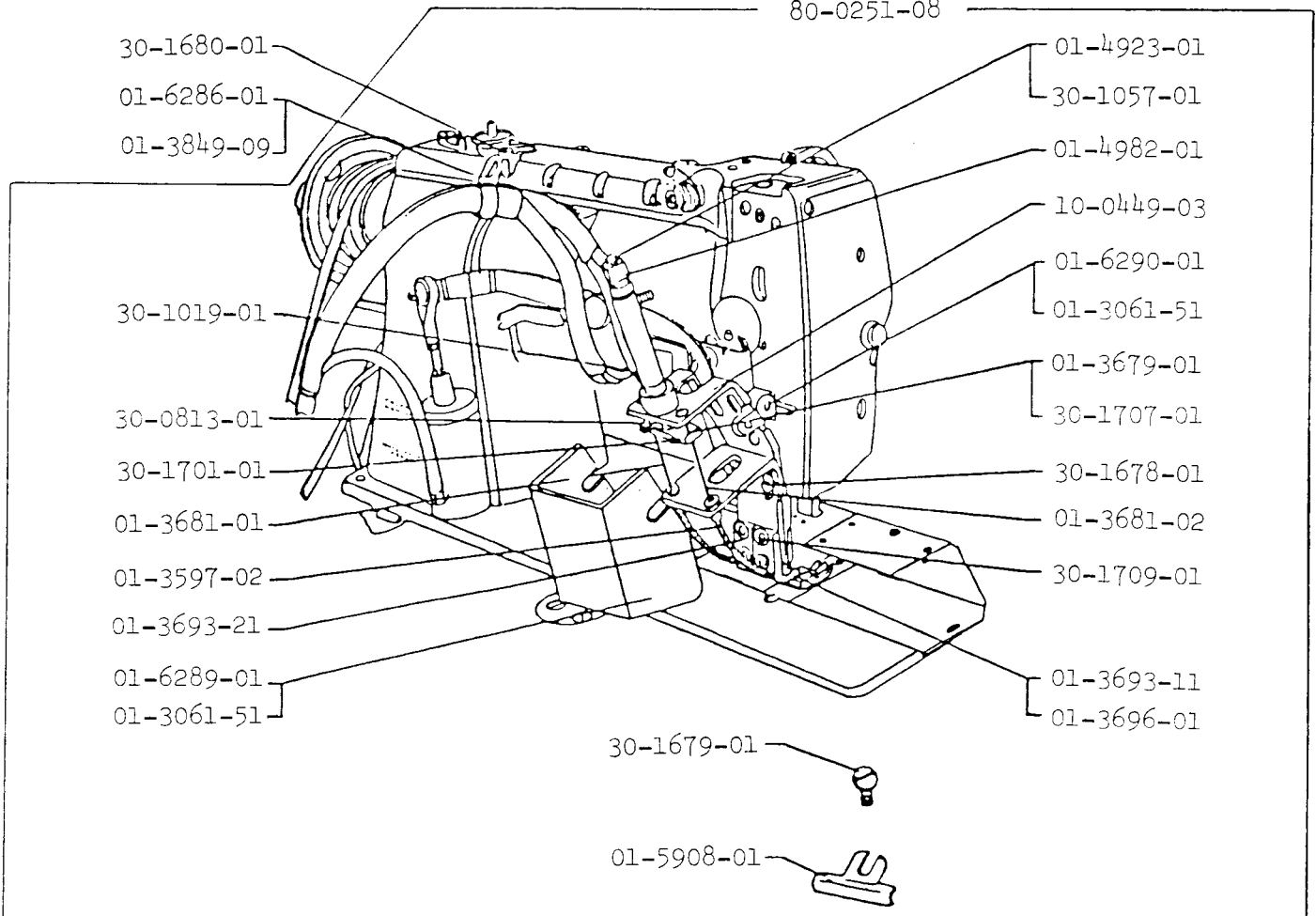
* A Trademark of THE SINGER COMPANY
Copyright © 1982 THE SINGER COMPANY
All Rights Reserved Throughout World



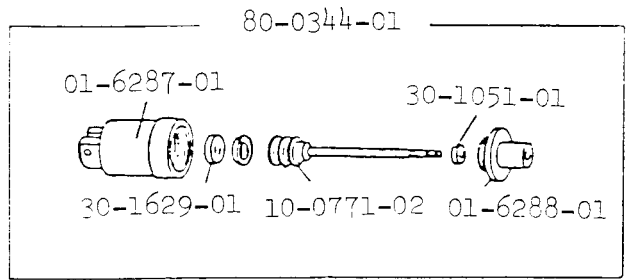
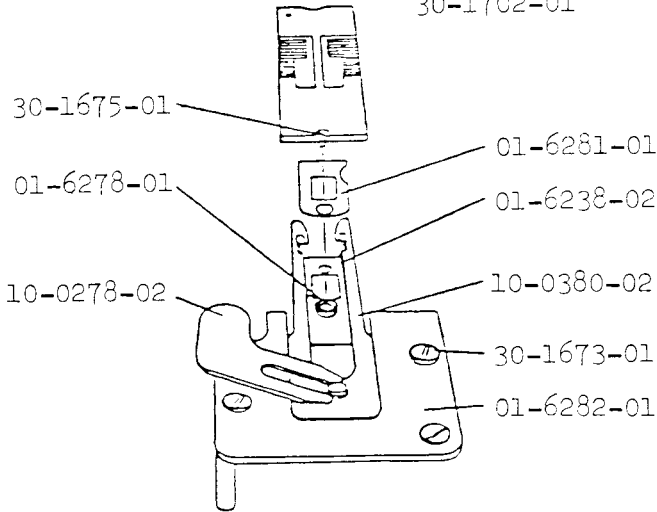
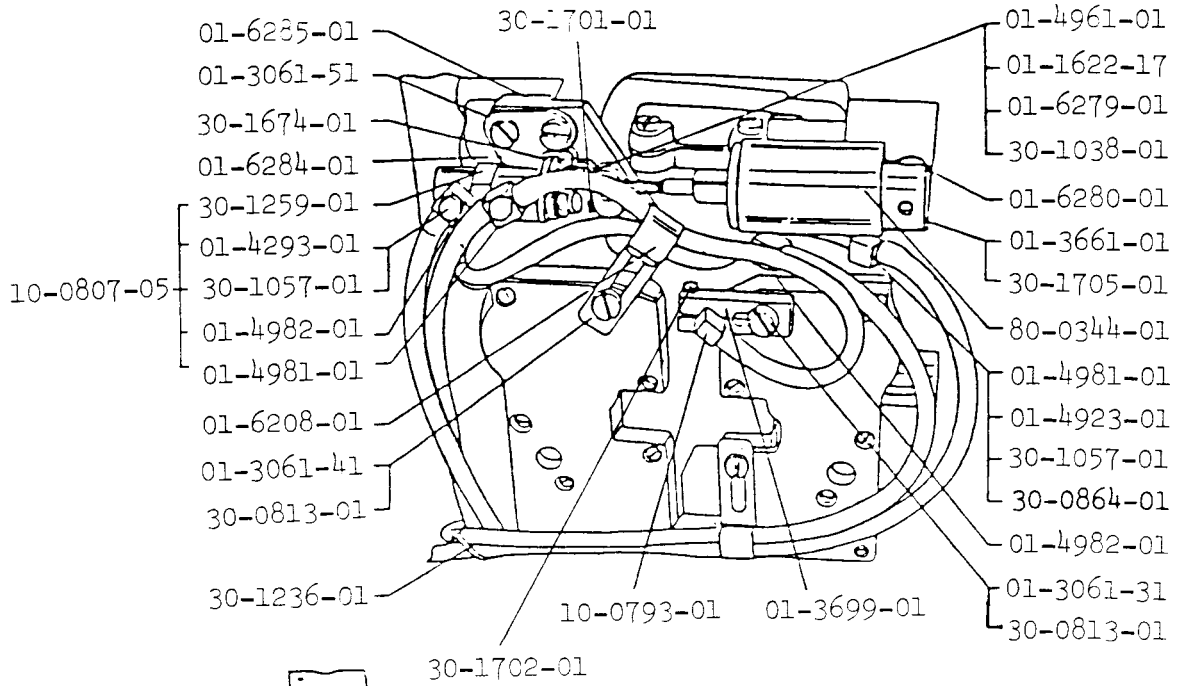
80-0250-01



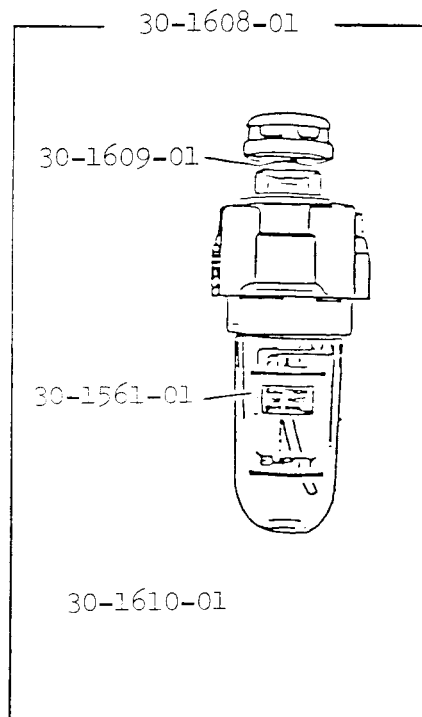
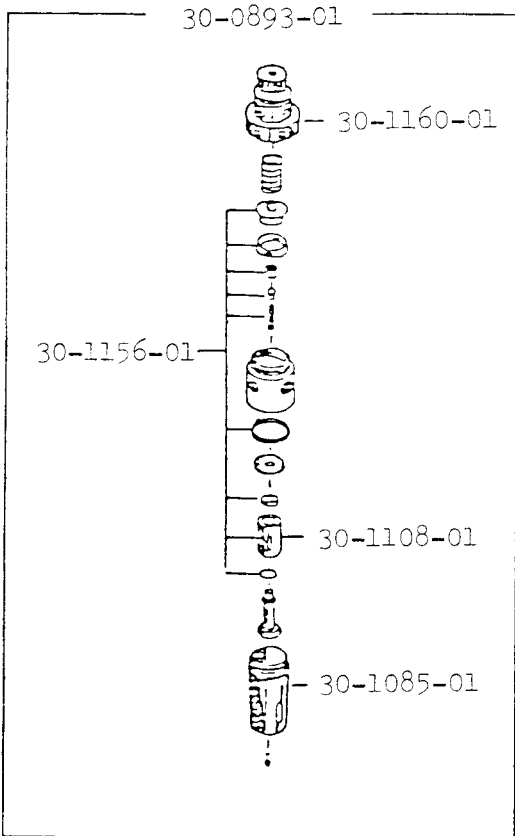
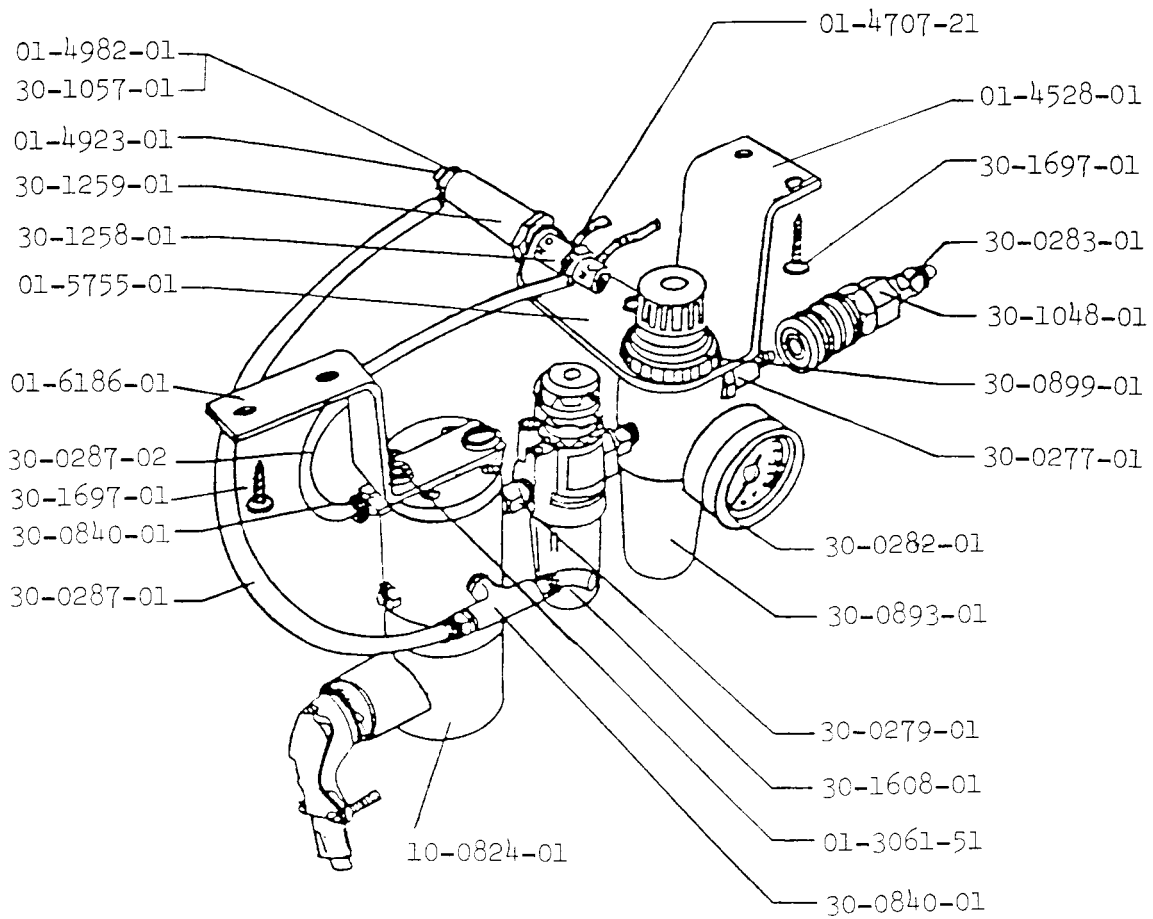
80-0251-08



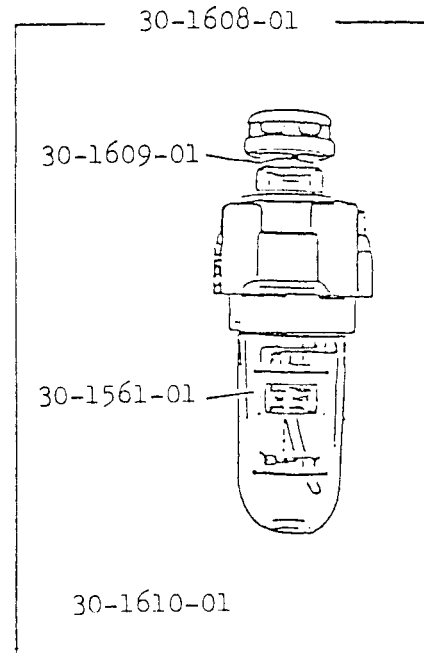
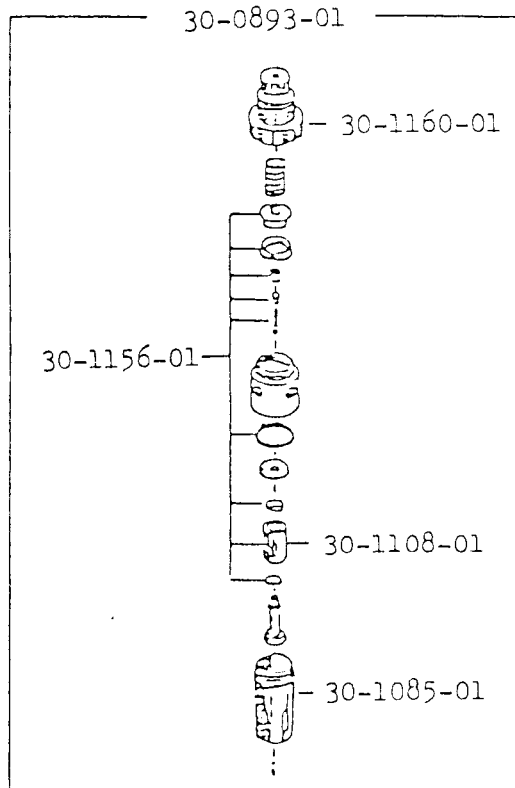
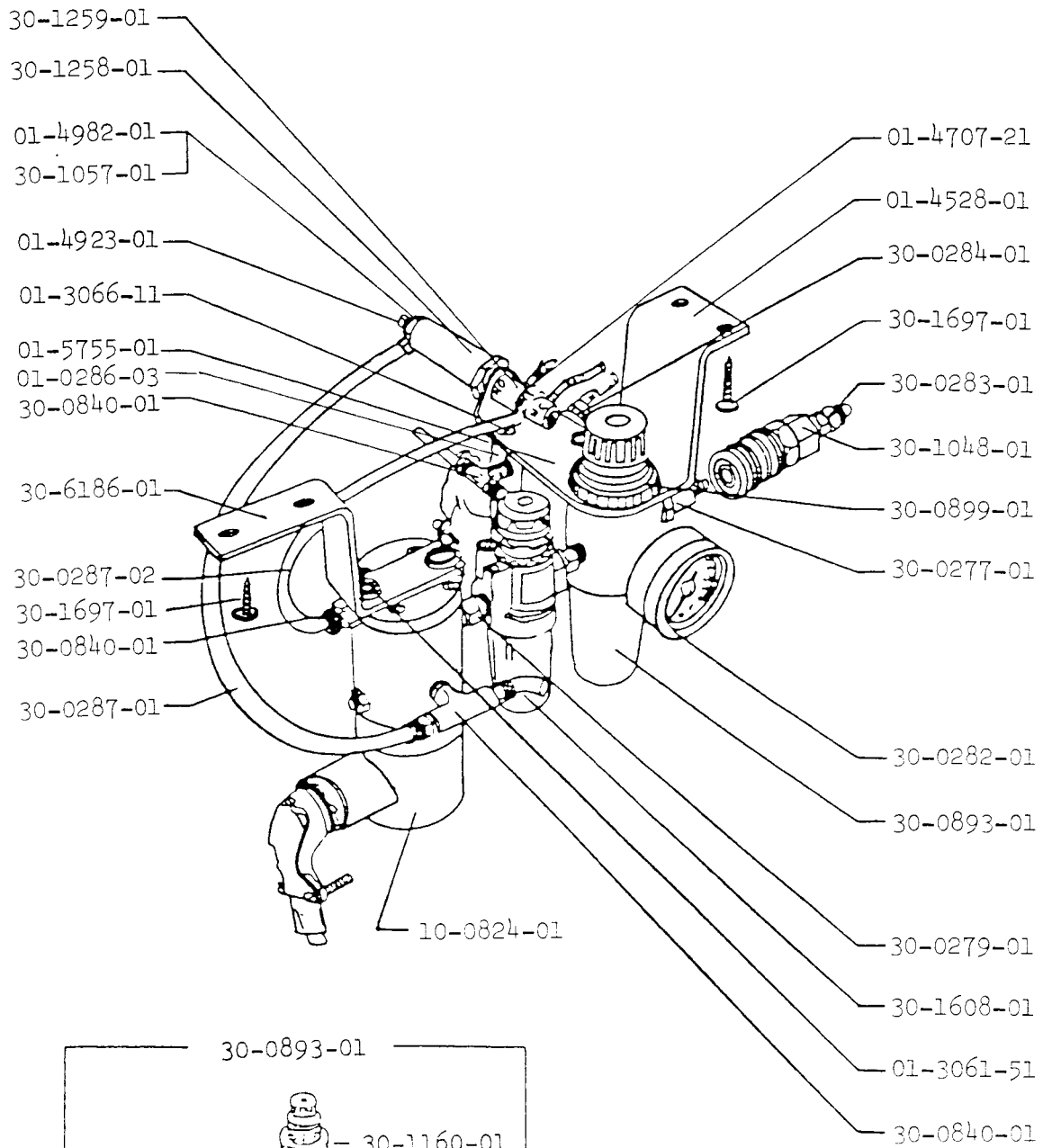
No.	2120442-01 -11 -21	Description
01-1622-61	* * *	Spacer
01-3061-51	* * *	Screw - Nut Plate (2)
01-3061-51	* * *	Screw - Thread Wiper Cover (2)
01-3597-02	* * *	Guide Spring - Thread Puller Hook (2)
01-3677-04	* * *	Block - Thread Release Mounting
01-3679-01	* * *	Block - Thread Puller Wire Mount
01-3681-01	* * *	Wire - Thread Puller - Right
01-3681-02	* * *	Wire - Thread Puller - Left
01-3693-11	* * *	Block - Picker Drive - Left
01-3693-21	* * *	Block - Picker Drive - Right
01-3696-01	* * *	Nipple - Picker Guide (2)
01-3849-09	* * *	Spacer - Clamp Mount
01-4707-21	* * *	Hose Fitting
01-4923-01	* * *	Screw - Universal Elbow
01-4923-01	* * *	Screw - Universal Elbow (2)
01-4982-01	* * *	Elbow - Universal
01-4982-01	* * *	Elbow - Universal (2)
01-5908-01	* * *	Thread Guard
01-6234-02	* * *	Fuller - Thread
01-6276-01	* * *	Pin - Thread Release
01-6208-06	* * *	Clamp - Polytubing (Top)
01-6286-01	* * *	Clamp - Polytubing (Top)
01-6289-01	* * *	Cover - Thread Wiper
01-6290-01	* * *	Nut Plate
10-0449-03	* * *	Bracket - Air Cylinder Mounting
10-0721-01	* * *	Bracket - Thread Release and Puller-off
30-0813-01	* * *	"O" Ring - Cylinder Shaft (External)
30-0813-01	* * *	"O" Ring - Cylinder Shaft (External)
30-0816-01	* * *	Air Cylinder - Tension Release
30-1019-01	* * *	Air Cylinder - Rimba (1 3/8")
30-1057-01	* * *	Gasket - Humphrey 89-14 (2)
30-1057-01	* * *	Gasket - Universal Elbow (4)
30-1236-01	* * *	Ties (5)
30-1676-01	* * *	Screw - Bracket Mount
30-1677-01	* * *	Screw - Tension Release Bracket
30-1678-01	* * *	Screw - Bracket Mount (2)
30-1679-01	* * *	Screw - Thread Guard
30-1680-01	* * *	Screw - Polytubing
30-1701-01	* * *	Screw - Thread puller Clamp Block (2)
30-1704-01	* * *	Screw-Thread Puller (2)
30-1704-01	* * *	Screw-Thread Release Pin (2)
30-1707-01	* * *	Nut - Air Cylinder Shaft
30-1707-01	* * *	Nut - Air Cylinder Shaft
30-1709-01	* * *	Screw-Wipers Guide Block
80-0250-01	* * *	Tension Release and Pull-off Assembly 01-1622-61, 01-3677-04, 01-4707-21, 01-4923-01, 01-4982-01, 01-6234-02, 01-6276-01, 10-0721-01, 30-0813-01, 30-0816-01, 30-1057-01 (2), 30-1676-01, 30-1677-01, 30-1704-01, 30-1707-01
80-0251-08	* * *	Wiper Assembly 01-3061-51(4), 01-3597-02(2), 01-3679-01, 01-3681-01, 01-3681-02, 01-3693-11, 01-3693-21, 01-3696-01(2), 01-4923-01(2), 01-4982-01(2), 01-5908-01, 01-6289-01, 01-6290-01, 10-0449-03, 30-0813-01, 30-1019-01, 30-1057-01(4), 30-1236-01 (5), 30-1678-01 (2), 30-1679-01 30-1701-01, 30-1701-01, 30-1709-01
412199	* * *	Thread Guide



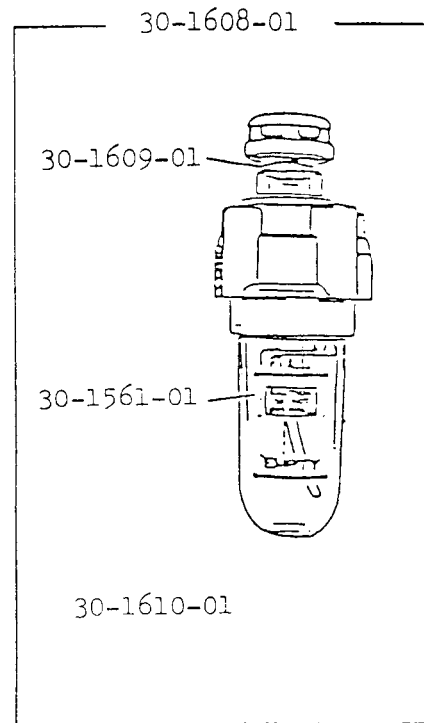
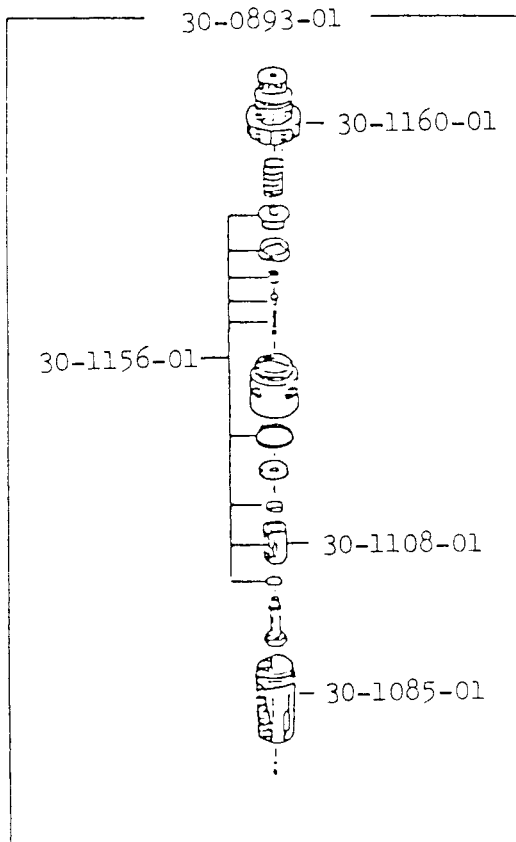
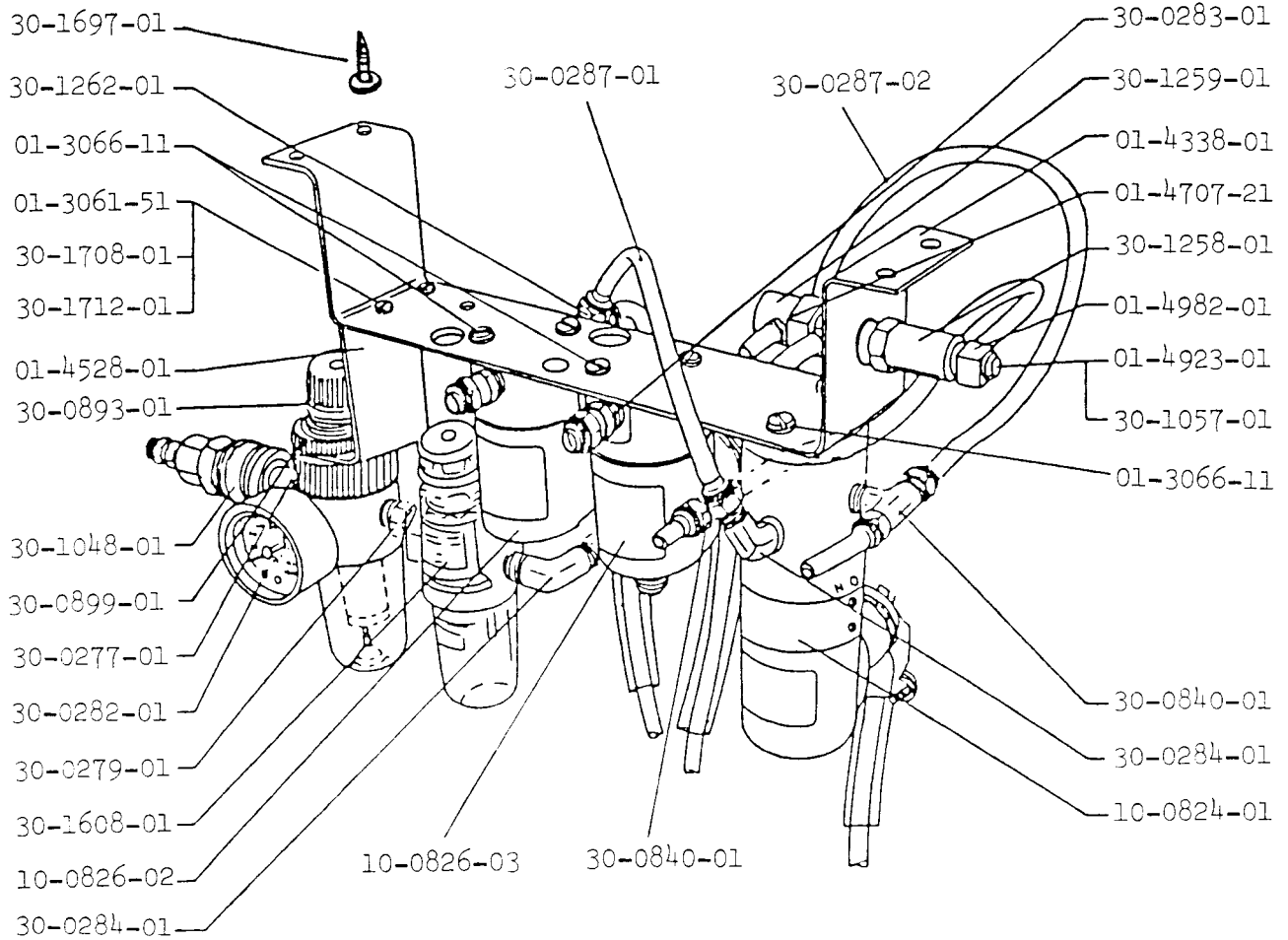
No.	212U442-01 -11- -21	Description
01-1622-17	* * *	Spacer - Drive Arm
01-3061-31	* * *	Screw - Polytubing (2)
01-3061-41	* * *	Screw - Blower Tube Mounting
01-3061-51	* * *	Screw - Bracket (#10-32x1/2) (2)
01-3661-01	* * *	Pin - Cylinder Mount
01-3699-01	* * *	Block - Blower Tube Mounting
01-4923-01	* * *	Screw - Universal Elbow or Tee (.078") (2)
01-4923-01	* * *	Screw - Universal Elbow or Tee (.078") (3)
01-4961-01	* * *	Arm - Blade Drive
01-4981-01	* * *	Tee
01-4981-01	* * *	Tee - Universal
01-4982-01	* * *	Elbow
01-4982-01	* * *	Elbow - Universal (2)
01-6208-01	* * *	Clamp - Polytubing (2)
01-6238-02	* * *	Trapper (1/4")
01-6278-01	* * *	Spacer - Lower Blade
01-6279-01	* * *	Pin - Connecting
01-6280-01	* * *	Bracket - Cylinder Mount
01-6281-01	* * *	Blade - Lower (1/4")
01-6282-01	* * *	Guide Plate Lower (1/8" - 3/8")
01-6284-01	* * *	Bracket - Air Valve Mount
01-6285-01	* * *	Bracket - Thread Puller Actuate Lever
01-6287-01	* * *	Body - Air Cylinder
01-6288-01	* * *	Bearing - Air Cylinder Shaft
10-0278-02	* * *	Fork and Pin Assembly - Blade Drive
10-0380-02	* * *	Bobbin Thread Puller (1/4")
10-0771-02	* * *	Piston and Shaft Assembly
10-0793-01	* * *	Blower Tube Assembly
10-0807-05	* * *	Limit Valve Assembly 01-4923-01, 01-4981-01, 01-4982-01, 30-1057-01, 30-1259-01
30-0813-01	* * *	"O" Ring
30-0813-01	* * *	"O" Ring (2)
30-0864-01	* * *	Tubing - Clamp (3/8") (4)
30-1038-01	* * *	Screw - Connecting Pin
30-1051-01	* * *	"U" Cup - Shaft
30-1057-01	* * *	Gasket - Air Fitting (4)
30-1057-01	* * *	Gasket - Universal Elbow or Tee (6)
30-1236-01	* * *	Tie - Tubing
30-1259-01	* * *	Air Valve (4 Way)
30-1629-01	* * *	"U" Cup - Piston (2)
30-1673-01	* * *	Screw - Guide Plate (3)
30-1674-01	* * *	Screw - Bearing Bracket (2)
30-1701-01	* * *	Screw - Driver Arm
30-1702-01	* * *	Screw - Blower Tube Mounting
30-1705-01	* * *	Screw - Lower Air Cylinder
80-0342-01	* * *	Lower Machine Assembly 01-1622-17, 01-3061-31 (2), 01-3061-41, 01-3061-51 (2), 01-3661-01, 01-3699-01, 01-4923-01 (5), 01-4961-01, 01-4981-01 (2), 01-4982-01 (3), 01-6208-01, 01-6238-02, 01-6278-01, 01-6279-01, 01-6280-01, 01-6281-01, 01-6282-01, 01-6284-01, 01-6285-01, 10-0278-02, 10-0380-02, 10-0793-01, 10-0807-05, 30-0813-01 (3), 30-0864-01 (4), 30-1038-01, 30-1057-01 (10), 30-1236-01, 30-1673-01 (3), 30-1674-01 (2), 30-1675-01, 30-1701-01, 30-1702-01, 30-1705-01, 80-0344-01
80-0344-01	* * *	Air Cylinder 01-6287-01, 01-6288-01, 10-0771-02, 30-1051-01, 30-1629-01 (2)



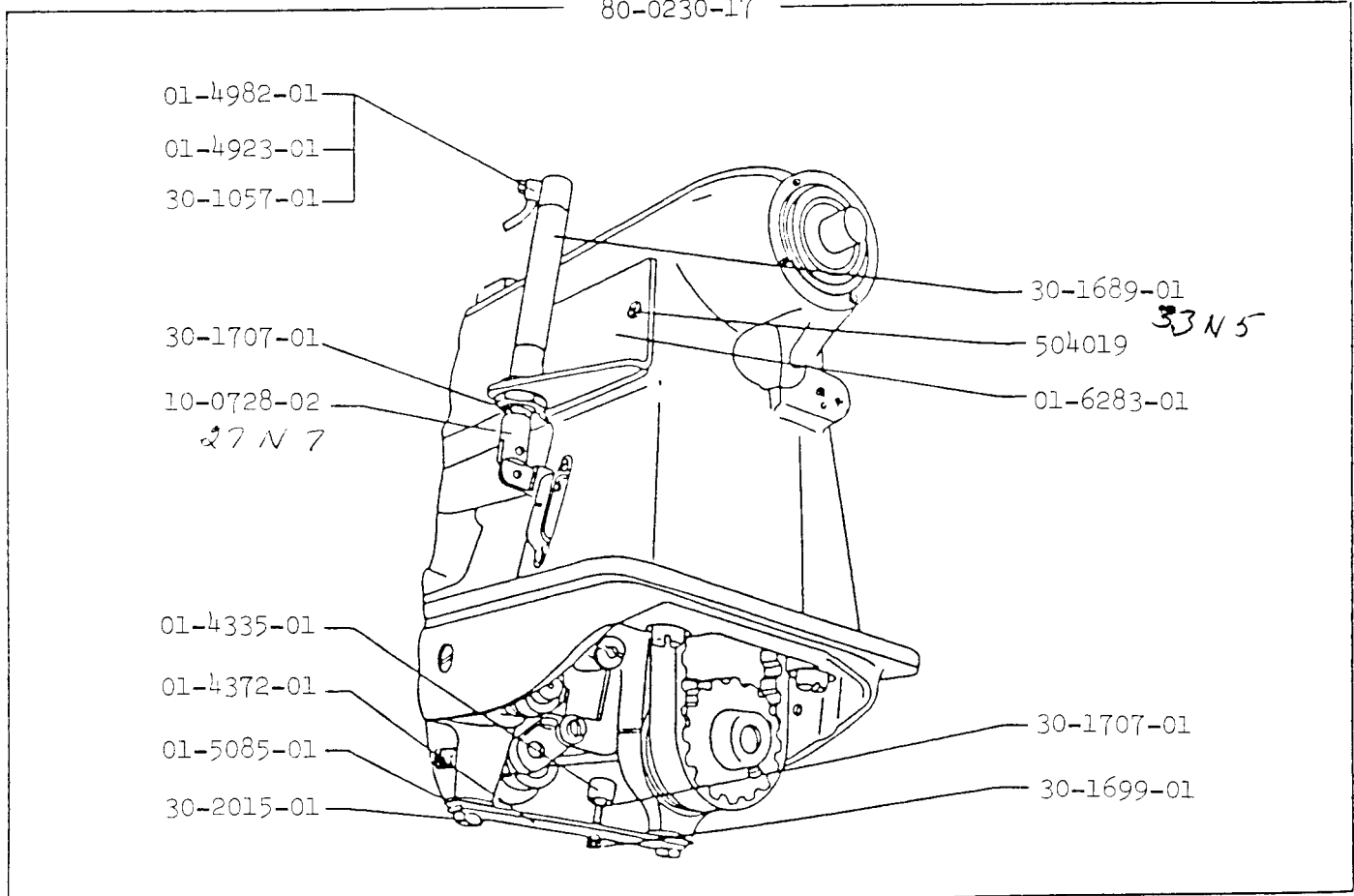
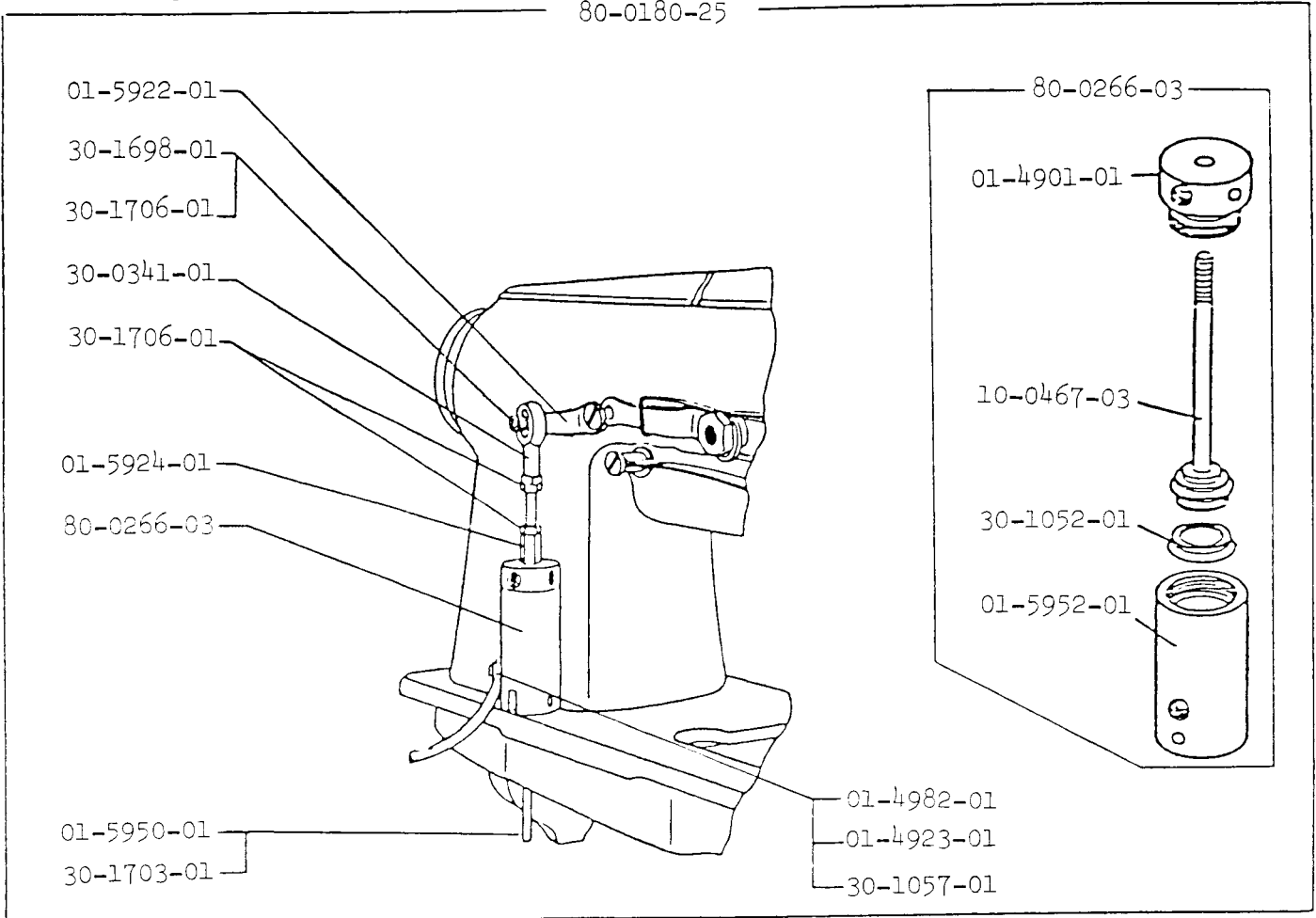
No.	212U442-01 -11 -21	Description
01-3061-51	* * *	Screw - Mounting Bracket (2)
01-4528-01	* * *	Bracket - Regulator Mounting
01-4707-21	* * *	Fitting (.078) (3)
01-4923-01	* * *	Screw - Elbow (.078)
01-4982-01	* * *	Elbow
01-5755-01	* * -	Bracket - Pilot Valve Mounting
01-6186-01	* * -	Bracket - Valve Mounting (Solenoid)
10-0824-01	* * *	Solenoid Air Valve Assembly (4 way)
30-0277-01	* * *	Quick Disconnect - Male
30-0279-01	* * *	Hex. Nipple
30-0282-01	* * *	Gage (0-160 psi)
30-0283-01	* * *	Tube Fitting
30-0287-01	* - -	Tubing Red - Polyflo
30-0287-02	* * *	Tubing Yellow - Polyflo (1=6")
30-0840-01	* * *	Tee - Male Branch (2)
30-0893-01	* * *	Filter and Regulator 30-1085-01, 30-1108-01, 30-1160-01, 30-1156-01
30-0899-01	* * *	Nut - Bracket Mount
30-1048-01	* * *	Quick Disconnect - Female
30-1057-01	* * *	Gasket - #10-32 Fitting (2)
30-1085-01	* * *	Bowl
30-1108-01	* * *	Filter Element 5 Micron
30-1156-01	* * *	Filter Repair Kit
30-1160-01	* * *	Bonnet
30-1258-01	* * *	Pilot Actuator
30-1259-01	* * *	Pilot Valve
30-1561-01	* * *	Bowl
30-1608-01	* * *	Oiler 30-1561-01, 30-1609-01, 30-1610-01
30-1609-01	* * *	Feed Dome
30-1610-01	* * *	Repair Kit All Seals (3)
30-1697-01	* * *	Screw - Bracket to Table Mount (2)
30-1697-01	* * *	Screw - Bracket to Table Mount (2)
81-0402-01	* * *	Air Valve Assembly 01-3061-51 (2), 01-4528-01, 01-4707-21 (3), 01-4923-01, 01-4982-01, 01-5755-01, 01-6186-01, 10-0824-01, 30-0277-01, 30-0279-01, 30-0282-01, 30-0283-01, 30-0287-01, 30-0287-02, 30-0840-01 (2), 30-0893-01, 30-0899-01, 30-1048-01, 30-1057-01 (2), 30-1258-01, 30-1259-01, 30-1608-01, 30-1697-01



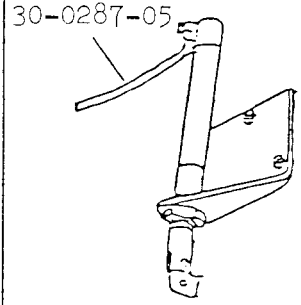
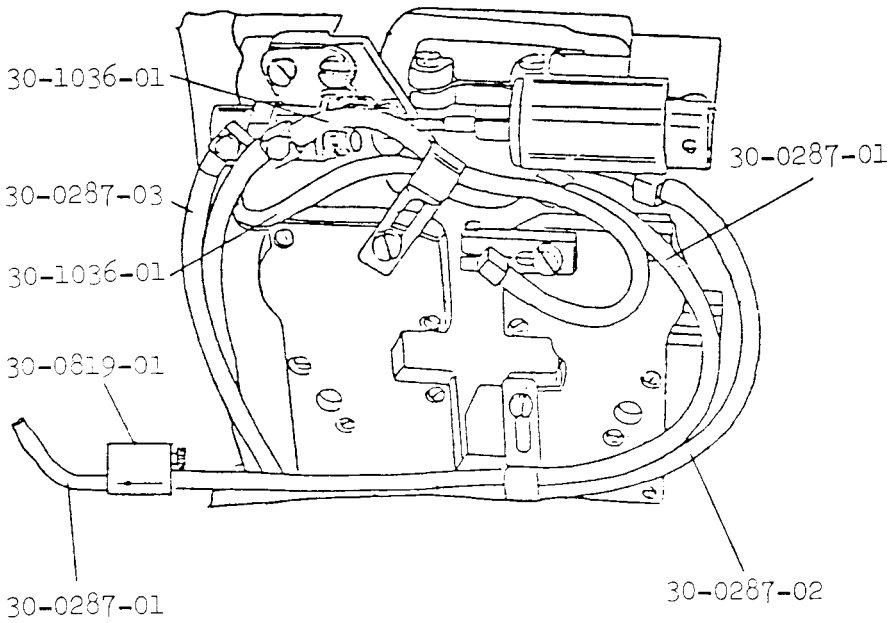
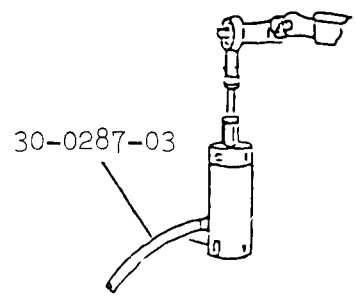
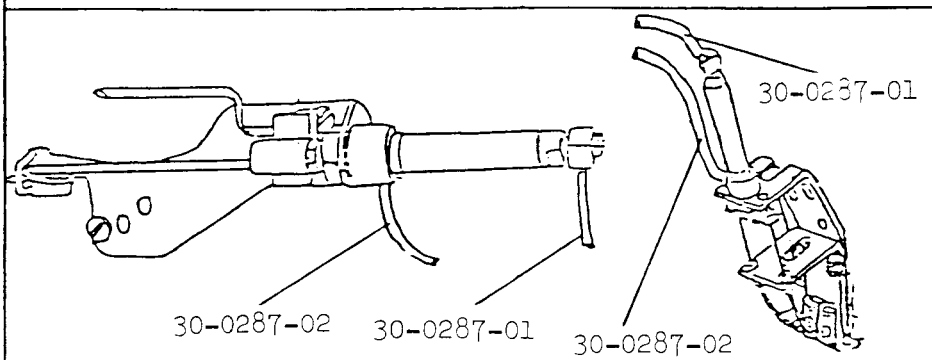
No.	212U442-01 -11 -21	Description
01-3061-51	***	Screw - Mounting Bracket (2)
01-3066-11	***	Screw - Mounting Bracket (2)
01-3066-11	-**	Screw - Mounting Bracket (2)
01-4528-01	***	Bracket - Regulator Mounting
01-4707-21	***	Fitting (.078) (3)
01-4923-01	***	Screw - Elbow (.078)
01-5755-01	**-	Bracket - Pilot Valve Mounting
01-6186-01	***	Bracket - Valve Mounting
10-0824-01	***	Solenoid Air Valve Assembly (4 way)
10-0826-02	-**	Solenoid Air Valve Assembly (3 way)
30-0277-01	***	Quick Disconnect - Male
30-0279-01	***	Hex, Nipple
30-0282-01	***	Gage (0-160 psi)
30-0283-01	***	Tube Fitting
30-0283-01	-**	Tube Fitting
30-0284-01	-**	Elbow
30-0287-01	-*-	Tubing Red - Polyflo
30-0287-02	***	Tubing Yellow - Polyflo (1=6")
30-0840-01	***	Tee - Male Branch (2)
30-0840-01	-**	Tee - Male
30-0893-01	***	Filter and Regulator 30-1085-01, 30-1108-01, 30-1160-01, 30-1156-01
30-0899-01	***	Nut - Bracket Mount
30-1048-01	***	Quick Disconnect - Female
30-1057-01	***	Grsket - #10-32 Fitting (2)
30-1085-01	***	Bowl
30-1108-01	***	Filter Element 5 Micron
30-1156-01	***	Filter Repair Kit
30-1160-01	***	Bonnet
30-1258-01	***	Pilot Actuator
30-1259-01	***	Pilot Valve
30-1561-01	***	Bowl
30-1608-01	***	Oiler 30-1561-01, 30-1609-01, 30-1610-01
30-1609-01	***	Feed Dome
30-1610-01	***	Repair Kit All Seals (3)
30-1697-01	***	Screw - Bracket to Table Mount (2)
30-1097-01	***	Screw-Bracket to Table Mount (2)
81-0402-02	-*-	Air Valve Assembly 01-3061-51 (2), 01-3066-11 (2), 01-4528-01, 01-4707-21 (3), 01-4923-01, 01-5755-01, 01-6186-01, 10-0824-01, 10-0826-03, 30-0277-01, 30-0279-01 (2), 30-0282-01, 30-0283-01 (2), 30-0284-01, 30-0287-01, 30-0287-02, 30-0840-01 (3), 30-0893-01, 30-0899-01, 30-1048-01, 30-1057-01 (2), 30-1258-01, 30-1259-01, 30-1608-01, 30-1697-01-(4)



No	212U442-01 -11 -21	Description
01-3061-51	***	Screw - Mounting Bracket (2)
01-3066-11	***	Screw - Mounting Bracket (2)
01-3066-11	-**	Screw - Mounting Bracket (2)
01-3066-11	-*-	Screw - Mounting Bracket (2)
01-4338-01	***	Bracket - Volve Mounting
01-4528-01	***	Bracket - Regulator Mounting
01-4707-21	***	Fitting (.078) (3)
01-4923-01	***	Screw - Elbow (.078)
01-4982-01	***	Elbow
10-0824-01	***	Solenoid Air Valve Assembly (4 way)
10-0826-02	-**	Solenoid Air Valve Assembly (3 way)
10-0826-03	-*-	Solenoid Air Valve Assembly (3 way)
30-0277-01	***	Quick Disconnect - Make
30-0279-01	***	Hex. Nipple (2)
30-0282-01	***	Gage (0-160 psi)
30-0283-01	***	Tube Fitting
30-0283-01	-**	Tube Fitting
30-0283-01	-*-	Tube Fitting
30-0284-01	-**	Elbow
30-0287-01	-*-	Tubing Red - Polyflo (1=20")
30-0287-02	***	Tubing Yellow - Polyflo (1=6")
30-0840-01	***	Tee - Male Branch (2)
30-0840-01	-**	Tee - Male
30-0893-01	***	Filter and Regulator 30-1085-01, 30-1108-01, 30-1160-01, 30-1156-01
30-0899-01	***	Nut - Bracket Mount
30-1048-01	***	Quick Disconnect - Female
30-1057-01	***	Gasket - #10-32 Fitting (2)
30-1085-01	***	Bowl
30-1108-01	***	Filter Element 5 Micron
30-1156-01	***	Filter Rubber Kit
30-1160-01	***	Bonnet
30-1258-01	***	Pilot Actuator
30-1259-01	***	Pilot Valve
30-1262-01	-*-	Tee - Male Run
30-1561-01	***	Bowl
30-1608-01	***	Oiler 30-1561-01, 30-1609-01, 30-1610-01
30-1609-01	***	Feed Dome
30-1610-01	***	Repair Kit All Seals (3)
30-1697-01	***	Screw - Bracket to Table Mounting (4)
30-1708-01	-*-	Nut - Regulator Mounting Bracket (2)
30-1712-01	-*-	Washer - Regulator Mounting Bracket (2)
81-0419-01	-*-	Air Valve Assembly 01-3061-51 (2), 01-3066-11 (6), 01-4258-01, 01-4707-21, 01-4923-01, 01-4982-01, 01-5755-01, 10-0824-01, 10-0826-03, 10-0286-03, 30-0277-01, 30-0279-01 (2), 30-0282-01, 30-0283-01 (3), 30-0284-01, 30-0287-01, 30-0287-02, 30-0840-01 (3), 30-0893-01, 30-0899-01, 30-1048-01, 30-1057-01, 30-1258-01, 30-1259-01, 30-1262-01, 30-1608-01, 30-1697-01 (4), 30-1708-01, 30-1712-01

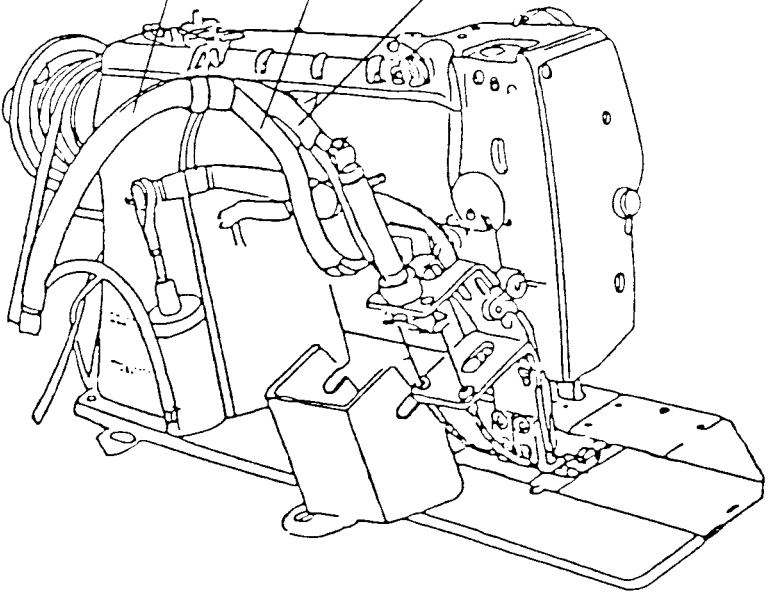


No.	212U442-01 -11 -21	Description
01-4335-01	- - *	Cap - Reverse Feed Stop
01-4372-01	- - *	Bracket - Reverse Feed Stop
01-4901-01	- * *	Cap - Cylinder
01-4923-01	- * *	Screw - Elbow
01-4923-01	- - *	Screw - Elbow
01-4982-01	- * *	Elbow
01-4982-01	- - *	Elbow
01-5058-01	- - *	Spacer - Reverse Feed Stop (2)
01-5922-01	- * *	Bracket
01-5924-01	- * *	Nut - Bracket Hook Mounting
01-5950-01	- * *	Rod - Air Cylinder
01-5952-01	- * *	Body - Air Cylinder
01-6283-01	- - *	Bracket - Air Cylinder
10-0467-03	- * *	Piston Shaft Assembly
10-0728-02	- - *	Roller Assembly
30-0341-01	- * *	Clevis
30-1052-01	- * *	"U" Cup Packing
30-1057-01	- * *	Gasket (2)
30-1057-01	- - *	Gasket (2)
30-1689-01	- - *	Air Cylinder
30-1698-01	- * *	Screw - Bearing-clevis
30-1699-01	- - *	Screw - Arm Stroke Adjustment
30-1703-01	- * *	Screw - Adapter or Rod Mounting
30-1706-01	- * *	Nut - Clevis or Rod End Lock (2)
30-1706-01	- * *	Nut - Clevis or Rod End Lock
30-1707-01	- - *	Nut - Cylinder Arm-stop Stud
30-1707-01	- - *	Nut - Cylinder Arm-stop Stud (2)
30-2015-01	- - *	Screw (2)
504019	- - *	Reverse Feed Cylinder Mounting Bracket Screw (2)
80-0180-25	- * *	Air Operated Footlifter Complete 01-4923-01, 01-4982-01, 01-5922-01, 01-5924-01, 01-5950-01, 30-0341-01, 30-1057-01, 80-0266-03, 30-1698-01, 30-1703-01, 30-1706-01 (3)
80-0230-17	- - *	Reverse Feed Cylinder Assembly 01-4335-01, 01-4372-01, 01-4923-01, 01-4982-01, 01-5085-01, 01-6283-01, 10-0728-02, 30-1057-01, 30-1689-01, 30-1699-01, 30-1707-01 (3), 30-2015-01, 504019 (2)
80-0266-03	- * *	Air Cylinder Complete 01-4901-01, 01-5952-01, 10-0467-03, 30-1052-01



30-1353-01 30-1136-01 30-1136-01

10-0788-02

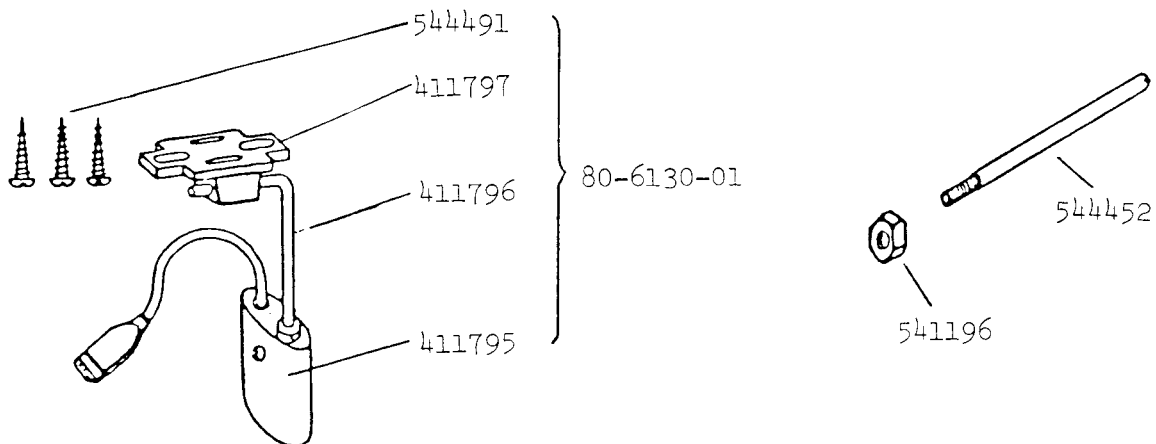
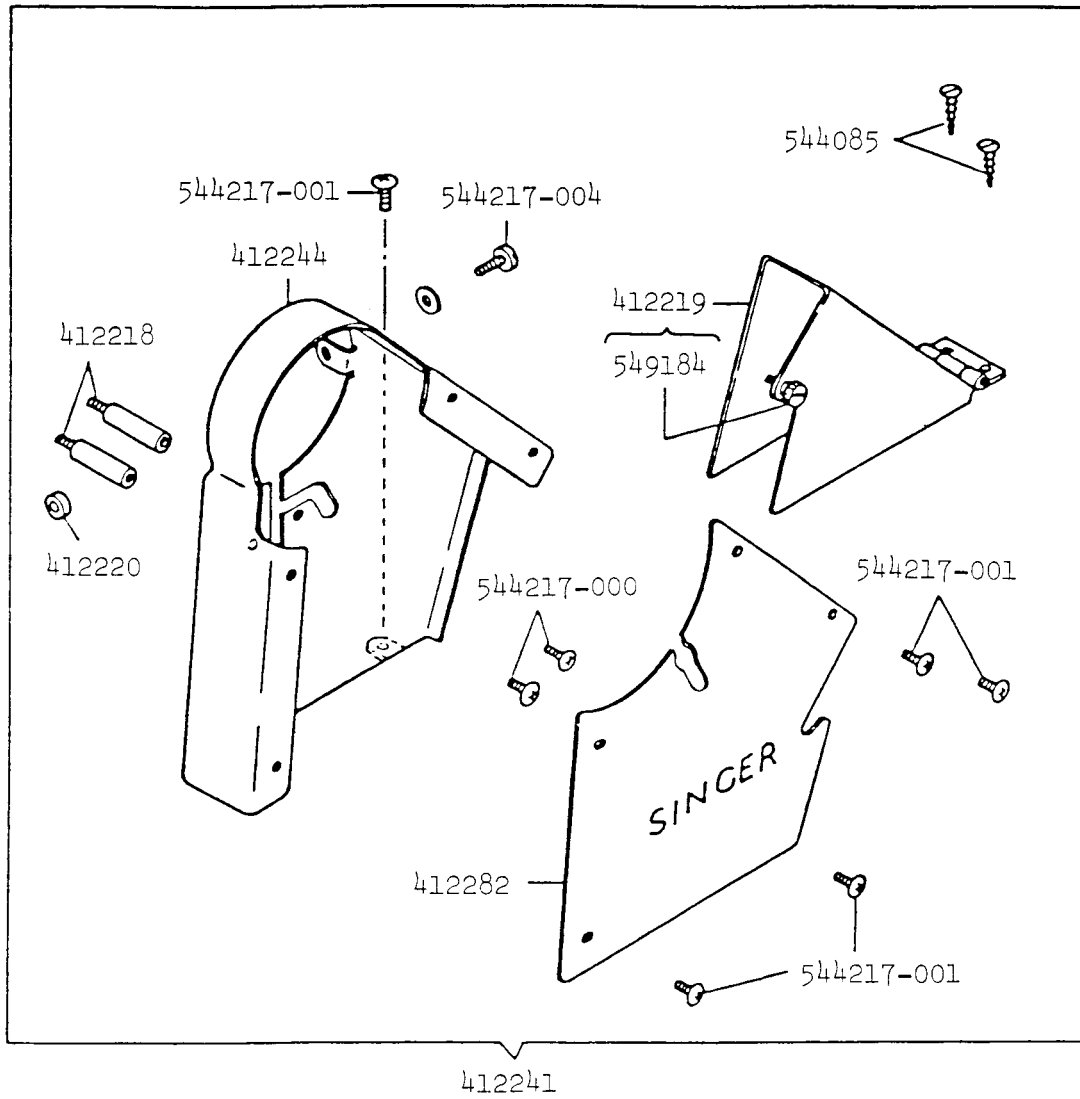


10-0787-02

10-0789-02

No.	212U442-01 -11 -21	Description
10-0787-02	- * -	Tubing List - Air With Foot Lifter 30-0287-01 (4), 30-0287-02 (3) 30-0287-03 (2), 30-1036-01 (2), 30-1136-01 (2), 30-1353-01
10-0788-02	* - -	Tubing List - Air Without Foot Lifter 30-0287-01 (4), 30-0287-02 (3), 30-1036-01 (2), 30-1136-01 (2), 30-1353-01
10-0789-02	- - *	Tubing List - Air With Foot Lifter & Auto-Backtack 30-0287-01 (4), 30-0287-02 (3), 30-0287-03 (2), 30-0287-05, 30-1036-01 (2), 30-1136-01 (2), 30-1353-01
30-0287-01	* * *	Tubing Red - Polyflo (1=18")
30-0287-01	* * *	Tubing Red - Polyflo (1=36")
30-0287-01	* * *	Tubing Red - Polyflo (1=48")
30-0287-01	* * -	Tubing Red - Polyflo (1=48")
30-0287-01	- - *	Tubing Red - Polyflo (1=60")
30-0287-02	* * -	Tubing Yellow - Polyflo (1=36")
30-0287-02	- - *	Tubing Yellow - Polyflo (1=48")
30-0287-02	* * -	Tubing Yellow - Polyflo (1=48")
30-0287-02	* * -	Tubing Yellow - Polyflo (1=48")
30-0287-02	- - *	Tubing Yellow - Polyflo (1=60")
30-0287-02	- - *	Tubing Yellow - Polyflo (1=60")
30-0287-03	- * *	Tubing White - Polyflo (1=48")
30-0287-03	- * *	Tubing White - Polyflo (1=60")
30-0287-05	- - *	Tubing Blue - Polyflo (1=60")
30-0819-01	* * *	Flow Control Valve
30-1036-01	* * *	Tubing Gray - Vinyl (1=7")
30-1036-01	* * *	Tubing Gray - Vinyl (1=9")
30-1136-01	* * *	Tubing - Harness - Black (.62"x6")
30-1136-01	* * *	Tubing - Harness - Black (.62"x9")
30-1353-01	* * *	Tubing - Harness - Black (.75"x32")

OPTIONAL PARTS



No.	212U442-01 -11 -21 212U141	Description
80-6130-01 411795 411796 411797 541196 544452	* * * - * * * - * * * - * * * - * * * - * * * -	Knee Switch Complete 411795, 411796, 411797, 544491 (3) Knee Switch Knee Switch Arm Knee Switch Bracket Needle Positioner Stabilizer Lock Nut Needle Positioner Stabilizer
<u>OPTION</u>		
412218 412219 412220 412241 412244 412282 544085 544217-001 544217-001 544217-004 549184	* * * * * * * * * * * * * * * - * * * - * * * - *	Belt Guard Screw Stud (2) Belt Guard (lower) with 549184 Belt Guard Screw Collar Belt Guard Cpl. 412220, 442241, 442244, 412218 (2), 412219, 544085 (2), 544217-001 (7), 544217-004 Belt Guard Belt Guard Plate Belt Guard (lower) Wood Screw (2) Belt Guard Screw (3) Belt Guard Plate Screw (4) Belt Guard Screw (long) Belt Guard (lower) Thumb Screw

Form U3332 (982)
Part No. 543292-002
Printed in Japan