

**SINGER**  
**261-1**

Form 21195  
(561)  
Printed in U. S. A.

LIST OF PARTS COMPLETE

FOR

NO. 261-1 MACHINE

The Singer Manufacturing Company

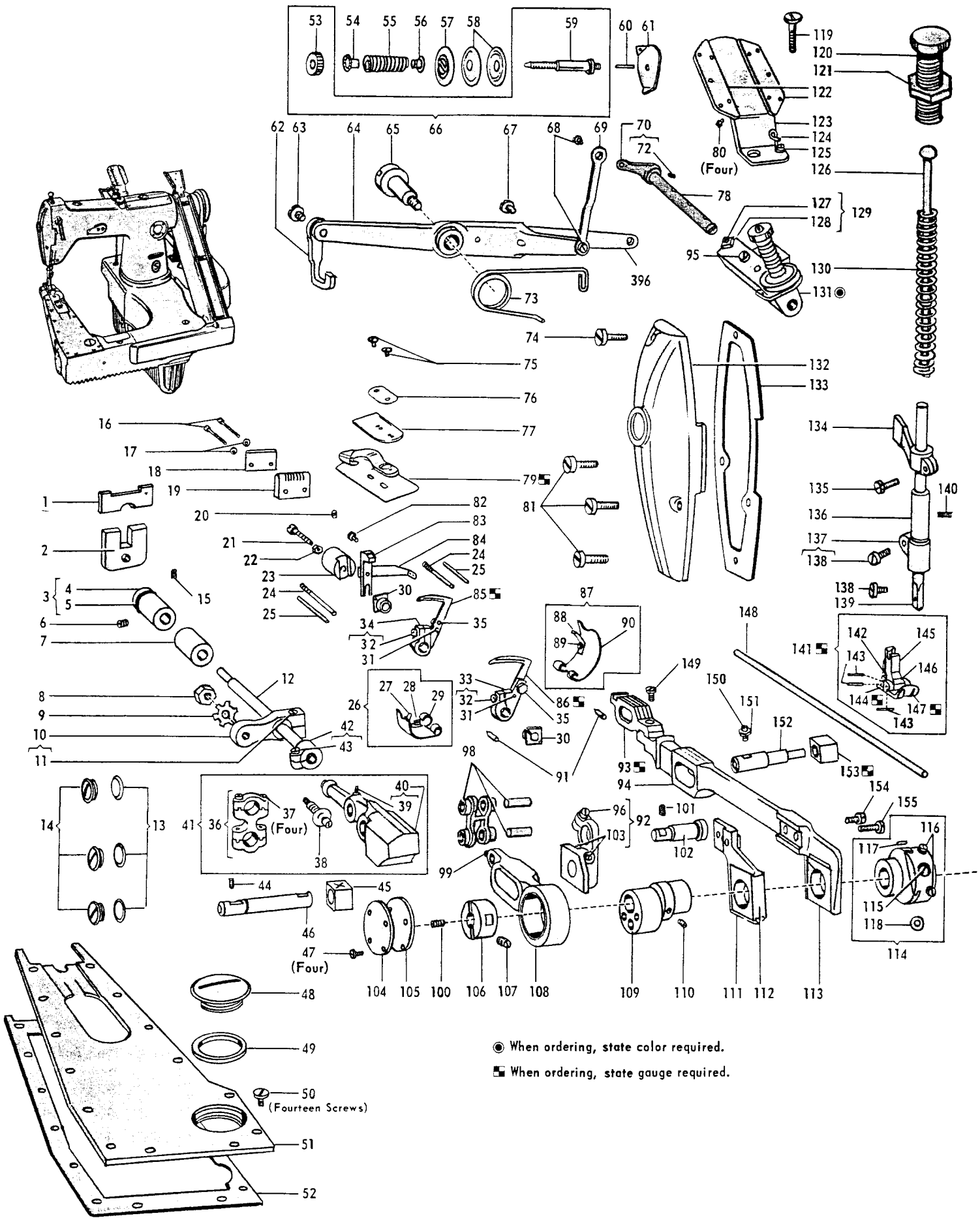
**SINGER\***  
261-1  
**PARTS**

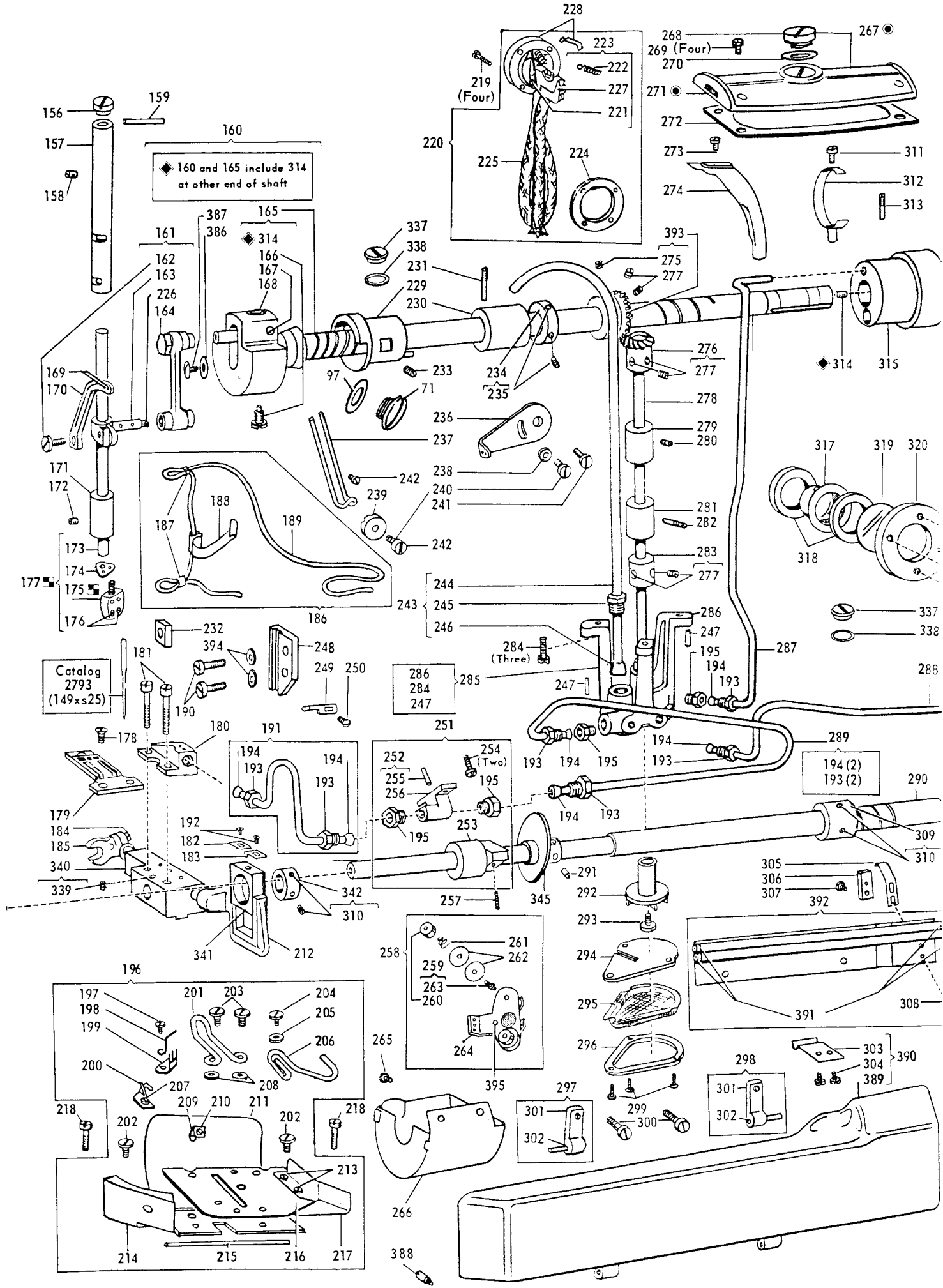
**THE SINGER COMPANY**

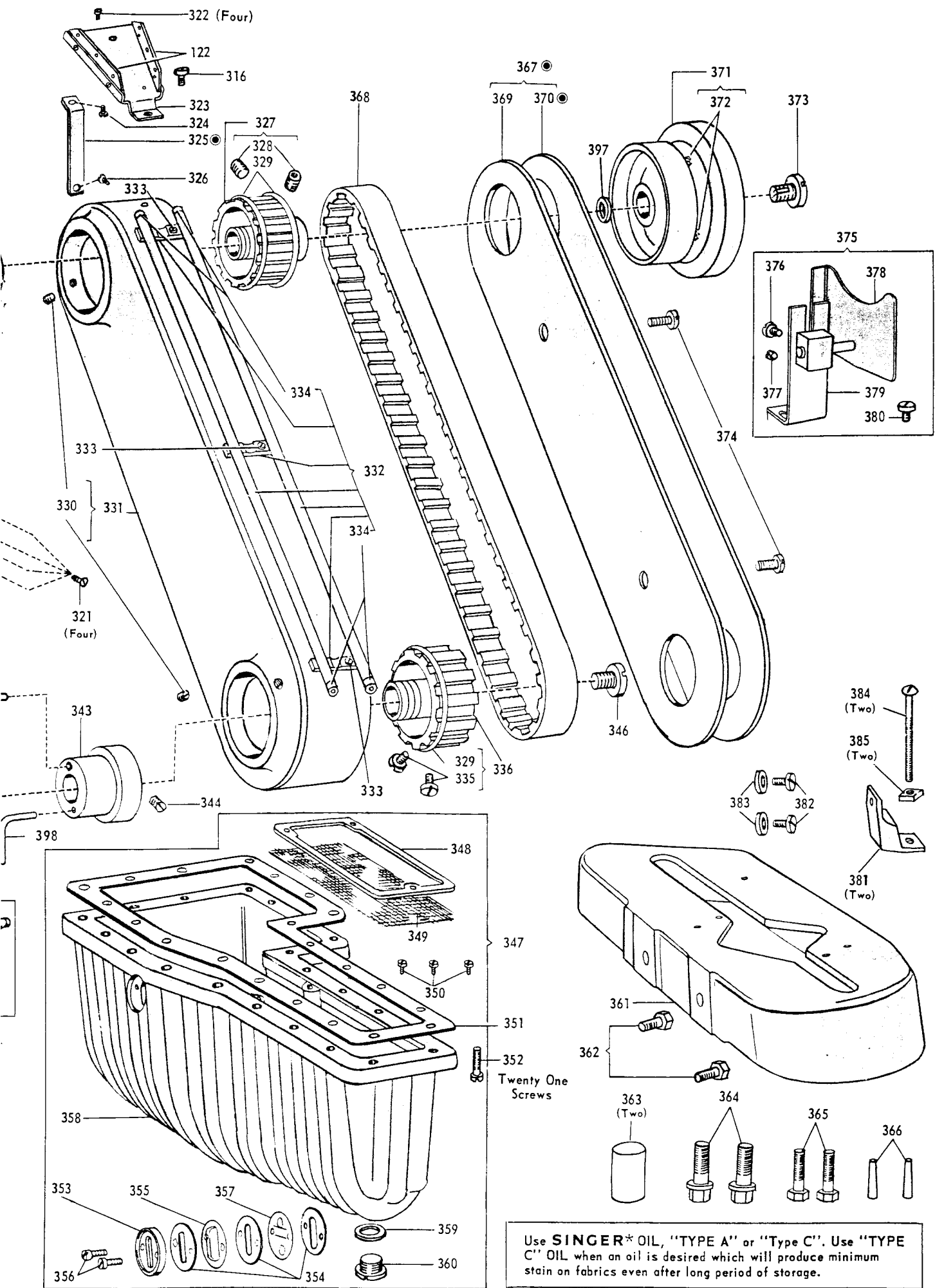
Copyright ©1962 by The Singer Company  
All Rights Reserved under Inter-American Copyright Union  
Copyright under International Copyright Union

Printed in U. S. A.

\*A Trademark of THE SINGER COMPANY







Use **SINGER**\* OIL, "TYPE A" or "Type C". Use "TYPE C" OIL when an oil is desired which will produce minimum stain on fabrics even after long period of storage.

**LIST OF PARTS 261-1**

CODE	PART NUMBER	NAME	COMPONENTS	CODE	PART NUMBER	NAME	COMPONENTS
1	143615	Oil Shield (felt) upper		97	147070	Arm Hole Plug Screw Washer	
2	143614	Oil Shield (felt) lower		98	23103	Connecting Link and Hinge Pin	
3	143552	BUSHING (back) OCOMP.	143485 with 143551	99	1047	Set Screw	
4	143485	Bushing (back)		100	141163	Shaft Screw (left)	
5	143551	Oil Seal (rubber)		101	446	Set Screw	
6	443	Set Screw		102	139534	Hinge Stud	
7	143486	Bushing (front)		103	1253	Set Screw (2)	
8	1520	Stud Nut		104	139030	Bushing Cover	
9	128521	Lock Washer		105	139031	Cover Gasket	
10	139059	CRANK	with 1057	106	143443	Bushing (left)	
11	1057	Pinch Screw		107	140331	Set Screw	
12	143484	Looper Holder Shaft		108	143462	LOOPER ECCENTRIC CONNECTION	with 1047
13	139509	Gasket (3)		109	143461	LOOPER ECCENTRIC AND FEED LIFTING ECCENTRIC	with two 1036
14	139510	Oil Plug (3)		110	1036	Set Screw (2)	
15	454	Set Screw		111	139432	Feed Lifting Eccentric Forked Connection	
16	198	Screw (2)		112	143451	Slide Block	
17	29043	Washer (2)		113	143450	Slide Block	
18	139181	Thread Cutter		114	143449	FEED ECCENTRIC (adjustable) COMPLETE	with 217, 7071, 50328 and two 51061
19	143524	Thread Guide		115	217	Screw	
20	456	Set Screw		116	51061	Set Screw (2)	
21	1187	Adjusting Screw		117	50328	Feed Regulating Screw	
22	51781	Nut		118	7071	Clamping Washer	
23	139120	Guard Holder		119	376	Bracket Screw	
24	143479	Screw Stud (2)		120	141001	Pressure Regulating Thumb Screw	
25	143480	Position Pin (2)		121	51614	Lock Nut	
26	143465	LOOPER GATE (left)	143464 with 51282 and 143470	122	139158	Needle Thread Guide (2)	
	143467	LOOPER GATE (left)	143466 with 51282 and 143470	123	139158	Looper Thread Guide (2)	
	143469	LOOPER GATE (left)	143468 with 51282 and 143470	124	139180	Needle Thread Guide Bracket	
27	143470	Lock Spring		125	139177	Thread Eyelet	
28	51282	Screw		126	207	Screw	
29	143464	Looper Gate (left) for 2 1/32" Throat Plate		127	146612	Guide Pin	
	143466	Looper Gate (left) for 3/4" Throat Plate		128	316	Stop Screw	
	143468	Looper Gate (left) for 7/8" Throat Plate		129	1547	Nut	
30	143483	Bushing (eccentric (2))		130	15444	STOP SCREW	316 with 1547
31	26276	Position Pin (2)		131	143512	Presser Bar Spring	
32	141158	Socket Screw (2)		132	68002	Tension Bracket	
33	141282	LOOPER HOLDER (front)	with 141158, 26276	133	143447	Face Plate	
34	143481	LOOPER HOLDER (back)	with 141158, 26276	134	143543	Gasket	
35	140393	Clamping Screw (2)		135	146694	LIFTING BRACKET	with 1057
36	143612	DRIVING ARM CONNECTION	with four 175	136	1057	Pinch screw	
37	175	Cap Screw (4)		137	146751	Bushing (lower)	
38	139070	Ball Screw Stud		138	146752	PRESSER BAR STOP	with 190
39	1047	Set Screw			190	Presser Bar Stop Pinch Screw	
40	139496	DRIVING ARM	with 1047	139	190	Presser Foot Screw	
41	143613	DRIVING ARM 139496	with 139070 and 143612	140	139462	Presser Bar	
42	139097	SHAFT COLLAR	with 1454	141	1133	Set Screw	
43	1454	Pinch Screw		142	139138	PRESSER FOOT (triple hinged)	with 37160, 139134, 139135, 139137, 146167 and three 26276
44	446	Set Screw		143	37160	Spring (small)	
45	139074	Slide Block		144	26276	Hinge Pin (3)	
46	143483	Stud		145	139137	Presser Foot Plate (back)	
47	14202	Screw (4)		146	146167	Presser Foot Shank Plate Connection	
48	140999	Plug Screw		147	139135	Presser Foot Plate (front)	
49	143435	Screw Gasket		148	139281	Thread Tube (side)	
50	140295	Cover Screw (14)		149	1255	Feed Dog Screw	
51	143433	Bed Cover		150	443	Set Screw	
52	143434	Gasket (cork)		151	1520	Lock Nut	
53	51570	Tension Regulating Thumb Nut (2)		152	139516	Hinge Pin (eccentric)	
54	59537	Spring Bushing (large) (2)		153	139046	Slide Block	
55	131741	Tension Spring (2)		154	704	Screw (short)	
56	59538	Spring Bushing (small) (2)		155	172	Screw (long)	
57	32572	Releasing Disc (2)		156	140440	Plug Screw	
58	2102	Tension Disc (4)		157	12982	Needle Bar Bushing (upper)	
59	50326	Tension Screw Stud (2)		158	1133	Set Screw	
60	54388	Releasing Pin (2)		159	143492	Oil Wick Guide Tube	
61	131896	Thread Guide (2)		160	143427	ARM ROTARY SHAFT	143426 with 140359, 143236, 143494
62	146676	Lifting Bracket Lifter		161	143494	CONNECTING LINK	with 139533 and 143495
63	807	Hinge Screw		162	140061	Pinch Screw	
64	143510	Lifting Lever		163	143495	STUD	with 140061 and 143619
65	802	Hinge Screw		164	139533	Screw Cap	
66	59539	TENSION SCREW STUD (2)	50326 with 51570	165	143426	ARM ROTARY SHAFT	with 1036 and 140542
67	161	Extension Screw (2)		166	140542	Position Screw	
68	110	Hinge Screw (2)		167	1036	Set Screw	
69	146620	Connecting Link		168	140552	Hinge Stud Clamping Screw	
70	54872	CRANK	with 624	169	147079	Eyelet Bushing (2)	
71	140610	Arm Hole Plug Screw		170	143523	Needle Thread Take-up	
72	624	Set Screw		171	12977	Needle Bar Bushing (lower)	
73	143511	Lifting Lever Spring		172	1133	Set Screw	
74	140050	Screw (upper)		173	143488	Needle Bar	
75	1443	Screw (2)		174	143497	Thread Guide	
76	121449	Clamping Plate		175	139116	NEEDLE CLAMP	with two 1498
77	139366	Slide		176	1498	Needle Set Screw (2)	
78	68003	Releasing Shaft		177	143489	NEEDLE BAR	143488 with 139116 and 143497
79	121586	Lap Seam Feller (adjustable)		178	691	Throat Plate Screw (3)	
80	229	Screw (4)		179	139538	Throat Plate	
81	140061	Screw (lower) (3)		180	143457	Oil Connection	
82	206	Screw		181	120	Screw (2)	
83	143498	Needle Guard (3/32 to 3/16" Gauge)		182	143459	Slide Block Cover (back)	
	143541	Needle Guard (7/32 to 9/32" Gauge)		183	143460	Slide Block Cover (front)	
84	143487	Looper Thread Guide		184	1324	Pinch Screw	
85	143452	Looper (back)		185	139257	CRANK	with 1324
86	143453	Looper (front)		186	143491	OIL WICK	143490 with 146703 and two 146580
87	143472	LOOPER GATE (right)	143471 with 51282 and 143477	187	146580	Oil Wick Clip (2)	
	143474	LOOPER GATE (right)	143473 with 51282 and 143477	188	146703	Oil Wick Clamp and Retainer	
	143476	LOOPER GATE (right)	143475 with 51282 and 143477	189	143490	Oil Wick	
88	143477	Lock Spring		190	1485	Set Screw (2)	
89	51282	Screw		191	143500	OIL PIPE	with two each 143124 and 143125
90	143471	Looper Gate (right) for 2 1/32" Throat Plate		192	226	Screw (2)	
	143473	Looper Gate (right) for 3/4" Throat Plate		193	143125	Sleeve Nut (6)	
	143475	Looper Gate (right) for 7/8" Throat Plate		194	143124	Sleeve (6)	
91	143478	Hinge Pin (2)		195	143126	Sleeve Adaptor (5)	
92	139535	COLLAR AND SUPPORT	with 51369 and two 1253				
93	139537	Feed Dog					
94	143448	Feed Bar					
95	225	Plug Screw					
96	51369	Pinch Screw					

☐ State gauge required  
● State color required