

SINGER
281-1,-3,-21

SINGER

MACHINES 281-1, 281-3 AND 281-21

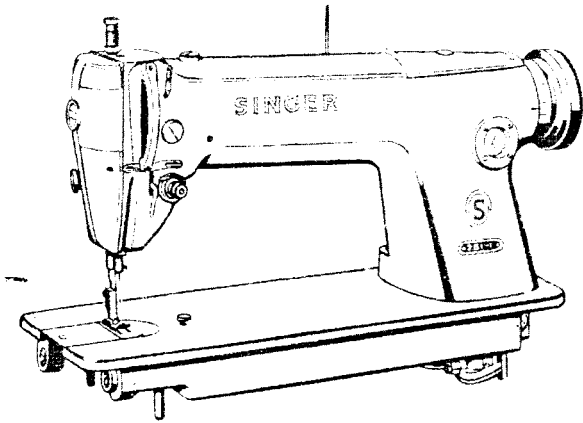
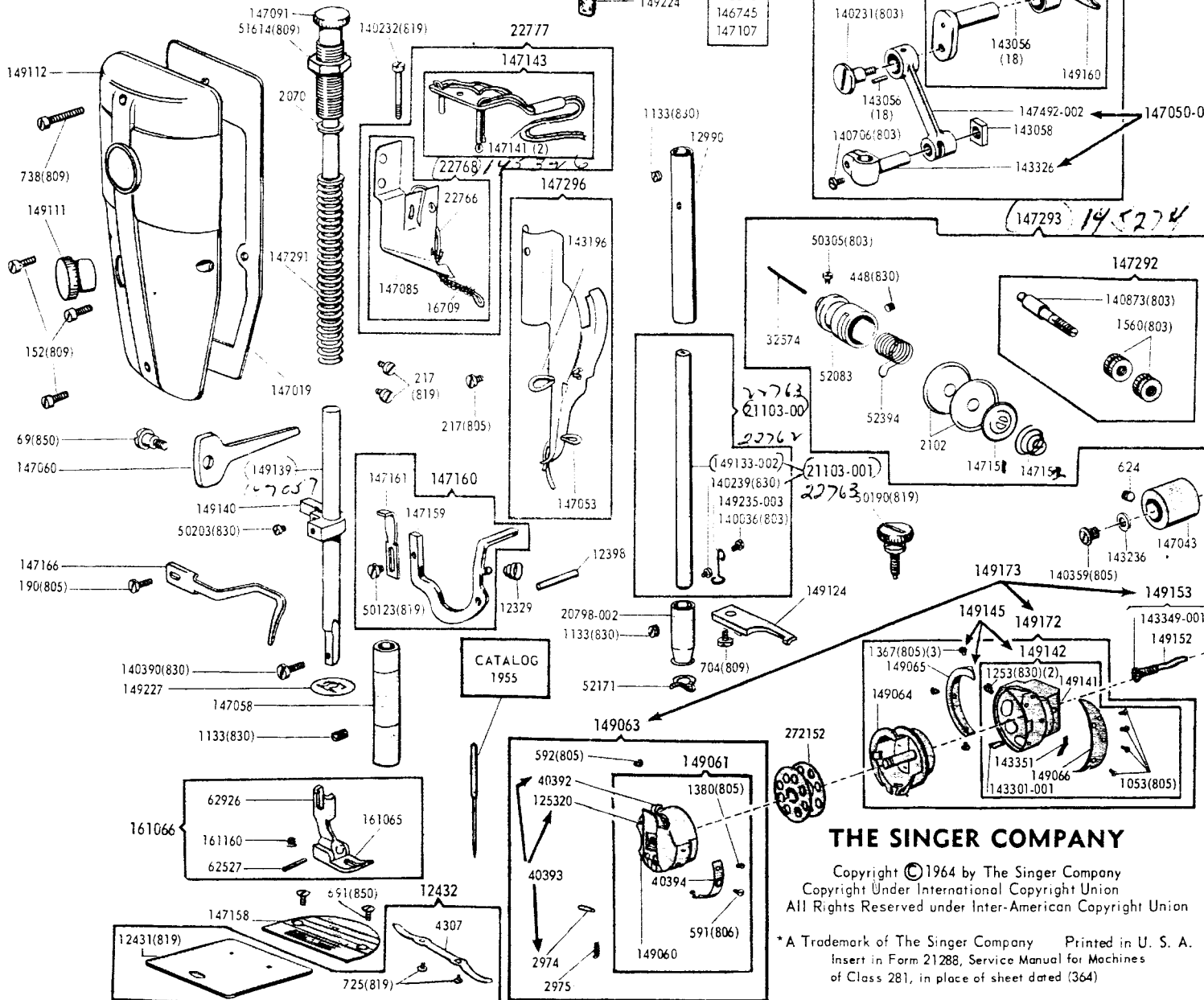


ILLUSTRATION OF
281-1 PARTS



THE SINGER COMPANY

Copyright © 1964 by The Singer Company
Copyright Under International Copyright Union
All Rights Reserved under Inter-American Copyright Union

*A Trademark of The Singer Company Printed in U. S. A.
Insert in Form 21288, Service Manual for Machines
of Class 281, in place of sheet dated (364)

NUMERICAL LIST OF PARTS, MACHINE 281-1

PART NO.	DESCRIPTION	PART NO.	DESCRIPTION	PART NO.	DESCRIPTION
69(850)	Presser Bar Lifting Hinge Screw	13996	Feed Lifting Rock Shaft Oil Wick	140607(819)	Arm Top Cover Stitch Regulator
144(804)	Arm Shaft (horizontal) Screw (back)	16709	Arm Side Shield Wick Spring Holder		Plunger Hole Plug Screw, for plugging the Plunger Hole when the Plunger is removed to prevent tampering with the stitch set (for Agents only)
152(809)	Face Plate Screw (lower) (3)	20798-002	Needle Bar Bushing (lower)	140610(819)	Thread Take-up Crank Clamping Screw Hole Plug Screw
152(819)	Thread Take-up Lever Guard and Thread Eyelet and Thread Guard Screw (front of Arm)	21103-001	Needle Bar (hollow) complete, Nos. 140036(803), 149133-002 and 149235-003	140705(805)	Arm Screw (back)
152(819)	Thread Take-up Lever Guard Screw (upper)	21478	Feed Bar Connecting Link	140706(803)	Needle Bar Connecting Stud Clamping Screw
157(805)	Oil Pump (centrifugal) Body Screw (2)	22557	Magnet (for removing iron particles from oil)	140788(805)	Feed Bar Hinge Pin Clamping Screw (2)
157(805)	Magnet Retaining Clamp and Oil Pump (centrifugal) Body Screw	22558	Magnet Retaining Clamp	140873(803)	Tension Stud
158(805)	Feed Bar Carrier Clamping Screw (2)	22766	Arm Side Shield Wick	140915(830)	Feed Lifting Rock Shaft Crank (front) Clamping Screw
158(813)	Bell Crank Bracket Screw (2)	22768	Arm Side Shield complete, Nos. 16709, 22766 and 147085	141188(803)	Rotating Hook Oil Flow Regulating Thumb Screw
189(805)	Oil Pump (centrifugal) Screen Frame Screw (4)	22777	Arm Side Shield and Oil Wick Holder Nos. 22768 and 147143	141201(805)	Arm and Bed Leg (back) Screw (2)
190(805)	Slack Thread Regulator Screw	22834	Feed Dog, (20 teeth to the inch), for use with 147158 and 161066	141202(805)	Arm Shaft (horizontal) Screw Plug (front)
197(819)	Oil Removing Wick (head end) Hinge Plate and Cover Screw (4)	22991	Presser Bar Lifting Lever Link	141208(830)	Thread Take-up Crank Clamping Screw
207(805)	Arm Shaft (horizontal) Flanged Bushing (back) Oil Sump Tube Holder Screw	23069	Presser Bar Lifting Lever Connecting Rod	141253(830)	Rock Shaft Crank Clamping Screw (2)
217(805)	Thread Take-up Lever Oil Guard Screw	23131	Arm Shaft (horizontal) Bushing (center)	143013	Arm Shaft (upright)
217(819)	Arm Side Shield Screw (2)	23132	Feed Lifting Rock Shaft Bushing (2)	143014	Arm Shaft (upright) Bevel Gear (lower) right hand spiral with two 1259(830)
228(805)	Feed Bar Carrier Oil Wick Holder Screw (2)	23133	Feed Rock Shaft Bushing (back)	143015	Arm Shaft (upright) Bevel Gear (upper) left hand spiral with two 1259(830)
233(805)	Rotating Hook Oil Flow Regulating Thumb Screw Spring Screw	23134	Feed Rock Shaft Bushing (front)	143016-001	Arm Shaft (upright) Bushing (lower)
435(830)	Thread Take-up Lever Link Hinge Stud Set Screw	32574	Tension Releasing Pin	143024	Bed Hole Plug
448(830)	Thread Take-up Spring Regulator Set Screw	40392	Rotating Hook Bobbin Case Latch	143031	Feed Bar Carrier Oil Wick
454(830)	Presser Bar Lifting Lever Pin Set Screw	40393	Rotating Hook Bobbin Case Latch Hinge, Nos. 2974, 40392 and 125320 (for Agents only)	143040	Feed Lifting Rock Shaft Connecting Rod
460(830)	Feed Lifting Rock Shaft Collar Set Screw (4)	40394	Rotating Hook Bobbin Case Tension Spring	143049	Feed Rock Shaft Connecting Rod
460(830)	Feed Rock Shaft Collar Set Screw (2)	50117(830)	Feed Dog Screw (2)	143056	Thread Take-up Lever Roller Bearing (18)
591(806)	Rotating Hook Bobbin Case Tension Regulating Screw	50121(805)	Oil Pump (centrifugal) Impeller Locking Screw	143056	Needle Bar Connecting Link Roller Bearing (18)
592(805)	Rotating Hook Bobbin Case Latch Stop Screw	50123(819)	Tension Releasing Lever (adjustable) Screw	143058	Needle Bar Connecting Stud Slide Block
624(830)	Arm Shaft (horizontal) Thrust Collar (front) Set Screw (2)	50140(819)	Guide Thumb Screw	143061	Oil Flow Body Gasket (2)
624(830)	Feed Lifting Rock Shaft Bushing (back and front) Set Screw (2)	50203(830)	Presser Bar Guide Bracket Clamping Screw	143062	Oil Flow Window
624(830)	Feed Rock Shaft Bushing (back) Set Screw	50257(809)	Oil Flow Window Cap Screw (4)	143063	Oil Flow Window Cap
624(830)	Feed Rock Shaft Bushing (front) Set Screw	50305(803)	Tension Stud Set Screw	143064	Oil Pipe for 147106
624(830)	Thread Retainer Set Screw	50429(830)	Rotating Hook Shaft Oil Retaining Collar Set Screw (2)	143065	Oil Pipe Clamping Sleeve
691(850)	Throat Plate Screw (4)	50555(805)	Arm Shaft (horizontal) Plug Screw (2)	143066	Oil Pipe Clamping Sleeve Nut
704(809)	Rotating Hook Bobbin Case Holder Position Bracket Screw	50608(819)	Arm Hole Plug Screw (top of Arm) for plugging hole used to assemble take-up oil wicks	143070	Oil Pump (centrifugal) Body with 143126
725(819)	Bed Slide Spring Screw (2)	51283(830)	Machine Pulley Set Screw (2)	143071	Oil Pump (centrifugal) Body Position Pin (2)
738(809)	Face Plate Screw (upper)	51364(805)	Oil Lead Screw	143072	Oil Pump (centrifugal) Cover
802(819)	Presser Bar Lifting Lever Hinge Screw	51369(813)	Arm Top Cover Screw (4)	143073	Oil Pump (centrifugal) Impeller
1036(830)	Thread Take-up Crank Set Screw	51614(809)	Pressure Regulating Thumb Screw Lock Nut	143074	Oil Pump (centrifugal) Screen
1036(830)	Feed Eccentric Body Set Screw (2)	51649(809)	Rock Shaft Crank Adjusting Screw Lock Nut	143075	Oil Pump (centrifugal) Screen Frame
1053(805)	Rotating Hook Thread Guard Screw (4)	52083	Thread Take-up Spring Regulator with 50305(803)	143081	Rotating Hook Shaft Bevel Gear (left hand spiral) with two 1259(830)
1133(830)	Presser Bar Bushing (lower) Set Screw	52171	Thread Take-up Spring Regulator with 50305(803)	143082-001	Rotating Hook Shaft Bushing (back)
1133(830)	Needle Bar Bushing (upper) Set Screw	52239	Needle Bar Bushing (lower) Thread Eyelet	143085	Stitch Regulator
1133(830)	Needle Bar Bushing (lower) Set Screw	52344	Arm Spool Pin and Thread Eyelet	143086	Stitch Regulator Locking Slide
1253(830)	Rotating Hook Set Screw (2)	52454	Thread Take-up Spring	143087	Stitch Regulator Locking Slide Ratchet Wheel
1259(830)	Arm Shaft (upright) Bevel Gear (upper) Set Screw (2)	53623(819)	Thread Retainer	143088	Stitch Regulator Locking Slide Ratchet Wheel Pin
1259(830)	Arm Shaft (upright) Bevel Gear (lower) Set Screw (2)	53623(819)	Presser Bar Lifting Lever Connecting Rod Lock Nut	143104	Bell Crank Hinge Pin
1259(830)	Rotating Hook Shaft Bevel Gear Set Screw (2)	62527	Presser Bar Lifting Lever Connecting Rod Nut	143109	Presser Bar Lifting Lever Connecting Rod Swivel
1259(830)	Feed Lifting Eccentric Set Screw	62527	Presser Foot Hinge Pin	143124	Oil Pipe Clamping Sleeve
1285(830)	Rotating Hook Shaft Bushing (front) Set Screw	62526	Presser Foot Shank	143125	Oil Pipe Clamping Sleeve Nut
1285(830)	Rotating Hook Shaft Bushing (back) Set Screw	64519	Arm Top Cover Stitch Regulator Plunger Spring	143126	Oil Pipe Clamping Sleeve Nut Adaptor
1367(805)	Rotating Hook Section Screw (3)	125320	Rotating Hook Bobbin Case Latch Lever	143134	Stitch Regulator 143085 with 140549(805), 143086 and 143378
1375(830)	Feed Eccentric Body Position Screw	140036(803)	Needle Bar Thread Guard Screw	143176	Trademark River (2)
1380(805)	Rotating Hook Bobbin Case Tension Spring Screw	140228(805)	Feed Lifting Rock Shaft Crank (back) Clamping Screw	143177	Number Plate Rivet (2)
1423(803)	Feed Bar Connecting Link Cap Screw (2)	140228(805)	Feed Rock Shaft Crank Clamping Screw	143191	Presser Bar Lifting Lever Connecting Rod Oil Mist Retaining Disc (felt)
1518(809)	Feed Rock Shaft Connecting Rod Hinge Screw Nut	140230(803)	Feed Rock Shaft Connecting Rod Hinge Screw	143196	Needle Bar Oil Wick
1518(809)	Feed Lifting Rock Shaft Connecting Rod Hinge Screw Nut	140230(830)	Feed Lifting Rock Shaft Connecting Rod Hinge Screw	143236	Feed Rock Shaft Oil Screw Plug Washer (fiber)
1560(803)	Tension Regulating Thumb Nut Lock Nut	140231(803)	Needle Bar Connecting Link Cap Screw	143236	Feed Lifting Rock Shaft Oil Screw Plug Washer (fiber)
1560(803)	Tension Regulating Thumb Nut	140231(803)	Oil Wick Holder Screw	143236	Feed Lifting Rock Shaft Oil Screw Plug Washer (fiber)
2070	Presser Bar Spring Washer	140232(819)	Needle Set Screw	143244	Arm Top Cover Spool Pin with Spool Rest, 3-1/2 in. long
2102	Tension Disc (2)	140233(830)	Feed Eccentric Stop Screw (5-1, 2 stitch)	143257	Machine Base and Oil Reservoir Gasket (cork)
2974	Rotating Hook Bobbin Case Latch Lever Fulcrum Pin	140257(830)	Arm Shaft (horizontal) Flanged Bushing (front) Set Screw	143268-001	Bed Leg (back)
2975	Rotating Hook Bobbin Case Latch Spring	140279(830)	Arm Shaft (horizontal) Bushing (center) Set Screw	143280-001	Rock Shaft
4307	Bed Slide Spring	140296(830)	Arm Shaft (horizontal) Flanged Bushing (back) Set Screw	143282	Adjusting Screw 140350(830) with 51649(809)
8582	Arm Dowel Pin (2)	140297(830)	Feed Lifting Eccentric Position Screw	143295	Pair of Gears for Lower Shaft, Nos. 143014 and 143081 (for Agents only)
8879	Arm Spool Pin Washer (cloth)	140333(830)	Machine and Machine Base and Oil Reservoir Screw Hole Plug Screw (for Agents only)	143301-001	Rotating Hook Oil Wick (felt)
12329	Tension Releasing Lever Spring	140343(805)	Machine and Machine Base and Oil Reservoir Screw Hole Plug Screw (for Agents only)	143326	Needle Bar Connecting Stud with 140706(803)
12398	Tension Releasing Lever Hinge Pin	140350(803)	Rock Shaft Crank Adjusting Screw	143349-001	Rotating Hook shaft Oil Filter Wick Holder
12431(819)	Bed Slide (for Agents only)	140359(805)	Feed Rock Shaft Oil Screw Plug	143351	Rotating Hook Wiper
12432	Bed Slide complete, Nos. 4307, 12431(819) and two 725(819), (for Agents only)	140359(805)	Feed Lifting Rock Shaft Oil Screw Plug	143370	Oil Lead
12990	Needle Bar Bushing (upper)	140390(830)	Presser Foot Screw	143373	Bell Crank
13288	Arm Top Cover Stitch Regulator Plunger Spring Stop Ring	140542(830)	Needle Bar Crank Position Screw	143374	Bell Crank Bracket
13996	Feed Rock Shaft Oil Wick	140549(805)	Stitch Regulator Locking Slide Spring Screw	143375	Bell Crank complete, Nos. 143104, 143373 and 143374 (for Agents only)
		140553(805)	Oil Removing Wick (head end) Holder Body Hinge Screw	143378	Stitch Regulator Locking Slide Spring
				143383	Rotating Hook Oil Flow Regulating Thumb Screw Spring
				143384	Oil Pipe (for oiling Rotating Hook Shaft (front) Bearing)

PART NO.	DESCRIPTION	PART NO.	DESCRIPTION
143387	Oil Pipe 143384 with 143124 (for oiling Rotating Hook Shaft Front Bearing (for Agents only)	147100	Tension Releasing Lever (adjustable) 147159 with 50123(819) and 147161
146099	Feed Rock Shaft Crank with 140228(805)	147161	Tension Releasing Lever Segment
146552	Arm Screw (front and intermediate) (2)	147166	Slack Thread Regulator
146591	Oil Flow Body	147250	Presser Bar Lifting Lever Pin
146610	Presser Bar Lifting Lever Spring	147290	Feed Lifting Rock Shaft Crank (front) with 140915(830)
146698	Oil Removing Wick (head end) Holder Body Spring	147291	Presser Bar Spring
146745	Oil Removing Wick (head end) Holder Body	147292	Tension Stud 140873(803) with two 1560(803)
146790	Arm Shaft (horizontal) Flanged Bushing (back) Oil Sump Tube	147293	Tension complete, Nos. 32574, 52083, 52394, 147151, 147152, 147292 and two 2102 (for Agents only)
147005-001	Arm Shaft (horizontal) Flanged Bushing (front)	147296	Thread Take-up Lever Oil Guard with 143190 and 147053
147011	Arm Top Cover for 147013	147355	Feed Bar Carrier with two each 158(805) and 140788(805)
147012	Arm Top Cover for 147014	147356	Feed Bar Hinge Pin (eccentric)
147013	Arm Top Cover with Stitch Regulator Plunger complete, Nos. 13288, 64519, 147011 and 147105	147445	Presser Bar Lifting Lever with 454(830)
147014	Arm Top Cover with Stitch Regulator Plunger complete, when a longer spool pin (3-1/2 in. long) is required, Nos. 13288, 64519, 143244, 147012 and 147105	147468	Arm Shaft (horizontal) Thrust Collar with two 624(830)
147015	Arm Top Cover Gasket	147469	Combination of Feed and Stitch Regulator Parts, Nos. 143015, 143040, 143049, 143087, 143134, 147472-002 and 143473 (for Agents only)
147019	Face Plate Gasket	147470	Feed Bar
147024	Feed Bar Carrier Oil Wick Holder with 143031	147471	Feed Bar 147470 with 21478, 147290, 147355, 147356 and two 1423(803)
147025-001	Feed Lifting Rock Shaft	147472-002	Feed Eccentric
147029	Feed Rock Shaft Collar with two 460(830)	147473	Feed Lifting Eccentric and Arm Shaft (horizontal) Bevel Gear, right hand spiral with 1259(830), 140333(830) and 143088
147030-001	Feed Lifting Rock Shaft 147025-001 with 13996, 140359(805), 143236, 147036 and suitable length of No. 1229 White Lighter Wicking	147476	Pair of Gears, for Upper Shaft, Nos. 143015 and 147473 (for Agents only)
147037	Feed Lifting Rock Shaft Oil Wick (short) (for Agents only) (2)	147480	Bell Crank Plunger
147038	Feed Lifting Rock Shaft Oil Wick (long)	147481	Rock Shaft 143250 with 147482-001, 147483 and 147485
147040-001	Feed Rock Shaft	147482-001	Rock Shaft Crank with 141253(830) and 143282
147041-001	Feed Rock Shaft 147040-001 with 13996, 140359(805), 143236, 147046 and suitable length of No. 1229 White Lighter Wicking	147483	Rock Shaft Stop Dog with 141253(830)
147045	Feed Rock Shaft Oil Wick (short) (for Agents only) (2)	147485	Rock Shaft Spring
147046	Feed Rock Shaft Oil Wick (long)	147491	Machine Base and Oil Reservoir
147050-001	Needle Bar Connecting Link 147492-002 with 143326 (for Agents only)	147492-002	Needle Bar Connecting Link
147053	Needle Bar Connecting Stud Oil Wick	149060	Rotating Hook Bobbin Case
147055	Oil Removing Wick (head end) Hinge Plate and Cover Gasket	149061	Rotating Hook Bobbin Case 149060 with 591(806), 1360(805) and 40394
147058	Presser Bar Bushing (lower)	149063	Rotating Hook Bobbin Case complete, Nos. 592(805), 2974, 2975, 40392, 125320 and 149061
147060	Presser Bar Lifter	149064	Rotating Hook Bobbin Case Holder
147070	Thread Take-up Clamping Screw Hole Plug Screw Gasket	149065	Rotating Hook Section
147073	Thread Take-up Lever Link Hinge Stud	149066	Rotating Hook Thread Guard
147074	Thread Take-up Lever Link Hinge Stud Oil Wick	149074	Feed Lifting Rock Shaft Crank (back) with 140228(805)
147075	Thread Take-up Lever Link Hinge Stud 147073 with 147074	149107	Presser Bar Guide Bracket with 50203(830)
147077	Thread Take-up Lever Guard Gasket	149111	Face Plate Plug, for plugging the Presser Bar Adjustment Hole
147079	Thread Take-up Lever Thread Eyelet Bushing	149112	Face Plate with 149111
147085	Arm Side Shield	149121	Machine Base and Oil Reservoir with Knee Lifter Rock Shaft
147091	Pressure Regulating Thumb Screw and Presser Bar Guide	149124	Rotating Hook Bobbin Case Holder Position Bracket (for heavy thread use 149123)
147105	Arm Top Cover Stitch Regulator Plunger	149131	Arm Shaft (horizontal) with 1036(830) and 140542(830)
147106	Oil Pipe complete, (from Oil Pump to Arm Shaft (horizontal) Center Bearing), Nos. 143064, 143065 and 143066 (for Agents only)	149133-002	Needle Bar (hollow) with 140239(830)
147107	Oil Removing Wick (head end)	149139	Presser Bar (hollow)
147108	Oil Removing Wick (head end) Holder Body 146745 with 146698 and 147107 (for Agents only)	149141	Rotating Hook (air cooled) with 143301-001 and two 1253(830)
147111-001	Arm Shaft (upright) Bushing (upper)	149142	Rotating Hook (air cooled) 149141 with 143351, 149060 and four 1053(805)
147112-001	Arm Shaft (horizontal) Flanged Bushing (back)	149145	Rotating Hook (air cooled) 149142 with 149063 and three 1367(805)
147131	Rotating Hook Shaft Oil Retaining Collar with two 50429(830)	149148	Rotating Hook Shaft with 149153
147139	Machine Pulley, small rim diameter (disc power) "V" belt groove 2.9 in. diameter with two 51283(830)	149149	Rotating Hook Shaft 149148 with 147131
147140	Machine Pulley, large rim diameter (disc power) "V" belt groove 2.9 in. diameter with two 51283(830)	149150-001	Rotating Hook Shaft Bushing (front)
147141	Oil Wick, 11 in. long, for oiling Take-up Lever, Take-up Lever Link, Needle Bar Connecting Link and Thread Take-up Lever Link Hinge Bearing	149152	Rotating Hook Shaft Oil Filter Wick
147143	Oil Wick Holder with two 147141	149153	Rotating Hook Shaft Oil Filter complete, Nos. 143349-001 and 149152
147151	Tension Releasing Disc	149154	Thread Eyelet and Thread Guard (front of Arm)
147152	Tension Spring	149155	Thread Take-up Crank with Thread Take-up Lever, Nos. 149160 and eighteen 143056 (for Agents only)
147158	Throat Plate (small needle hole) with Guide Lines, for 22834	149157-001	Thread Take-up Crank and Thread Take-up Lever complete, (for Agents only)
147159	Tension Releasing Lever Body	149160	Thread Take-up Crank Wearing Plate

PART NO.	DESCRIPTION
149224	Oil Wick Holder Plug (felt)
149227	Presser Bar Bushing Washer
149235-003	Needle Bar Thread Guard
161065	Presser Foot Plate
161066	Presser Foot (spring hinged) complete, Nos. 62527, 62926, 161065 and 161160, for use with 22834 and 147158
161160	Presser Foot Spring
272152	Rotating Hook Bobbin

ACCESSORIES

PART NO.	DESCRIPTION
259462	Bobbin Winder
151559	Machine Rest Pad (4)
12361	Machine Hinge Connection (2)
41400	Machine Rest Pin
147488	Rock Shaft Knee Arm complete
52239	Spool Pin and Thread Eyelet
8879	Washer (cloth)

STYLE OF FINISH

When ordering screws, nuts and similar parts include new code numbers which follow part numbers in list.

NEW CODE	OLD CODE	FINISH
803	C	Hardened only
805	E	Soft, Not Polished
806	F	Hardened and Polished
809	J	Nickel Plated only
813	R	Phosphate Coating formed on Surface of Iron or Steel
819	X	Black Oxide for Iron and Steel
830	A. L.	Heat Treated for Toughness
850	X. C.	Hardened and Black Oxide for Iron and Steel

MACHINES 281-3 AND 281-21

MACHINE 281-3

Same as 281-1, except for the following:

PARTS ADDED	DESCRIPTION	PARTS REMOVED
147081	Arm Shaft (horizontal) with 1036(830), 140542(830) and 141208(830)	149131
22773	Arm Side Shield and Oil Wick Holder, Nos. 22768 and 147145	22777
143174	Feed Dog	22834
149220-002	Needle Bar (hollow) with 140239(830)	149133-002
21148-001	Needle Bar (hollow) complete, Nos. 140036(803), 149220-002 and 149235-003	21103-001
20798-001	Needle Bar Bushing (lower)	20798-002
147145	Oil Wick Holder with two 147141	147143
147057	Presser Bar (hollow)	149139
127233	Presser Foot Plate	161065
52390	Presser Foot Shank	62926
26231	Presser Foot Spring	161160
127234	Presser Foot (spring hinged) complete, Nos. 26231, 52390, 62527 and 127233	161066
149166	Thread Eyelet and Thread Guard (front of Arm)	149154
149198-002	Thread Take-up Crank and Thread Take-up Lever complete, Nos. 147075 and 149197-002	149157-001
143175	Throat Plate	147158
149123	Rotating Hook Bobbin Case Holder Position Bracket, for Heavy Thread	--

Note: 149123 is not regular to the machine, but is available on order.

MACHINE 281-21

Same as 281-1, except for the following:

PARTS ADDED	DESCRIPTION	PARTS REMOVED
149167	Arm Shaft (horizontal) with 1036(830), 140542(830) and 141208(830)	149131
448(830)	Arm Shaft (horizontal) Flanged Bushing (front) Set Screw	140279(830)
147358-001	Feed Lifting Rock Shaft 14497 with 13996, 140359(805), 143236, 147038 and suitable length of No. 1229 White Lighter Wicking	147030-001
14497	Feed Lifting Rock Shaft	147025-001
14499	Feed Rock Shaft	147040-001
147359-001	Feed Rock Shaft 14499 with 13996, 140359(805), 143236, 147046 and suitable length of No. 1229 White Lighter Wicking	147041-001
149168	Needle Bar (hollow) with 140239(830)	149133-002
21398-001	Needle Bar (hollow) complete, Nos. 140036(803), 149168 and 149235-003	21103-001
147360	Oil Pipe for Oiling Rotating Hook Shaft (front) Bearing	143384
149213	Presser Bar Lifting Lever with 448(830)	147445
147062	Presser Bar Lifting Lever Pin	147250
448(830)	Presser Bar Lifting Lever Pin Set Screw	454(830)
50190(809)	Presser Foot Thumb Screw	140390(830)
149169	Rotating Hook Shaft with 149153	149148
149171	Rotating Hook Shaft 149169 with 147131	149149
149123	Rotating Hook Bobbin Case Holder Position Bracket, for Heavy Thread	--

Note: 149123 is not regular to the machine, but is available on order.

149112