

SINGER
211G165,G166,G265,G266

ILLUSTRATED
PARTS LIST
for

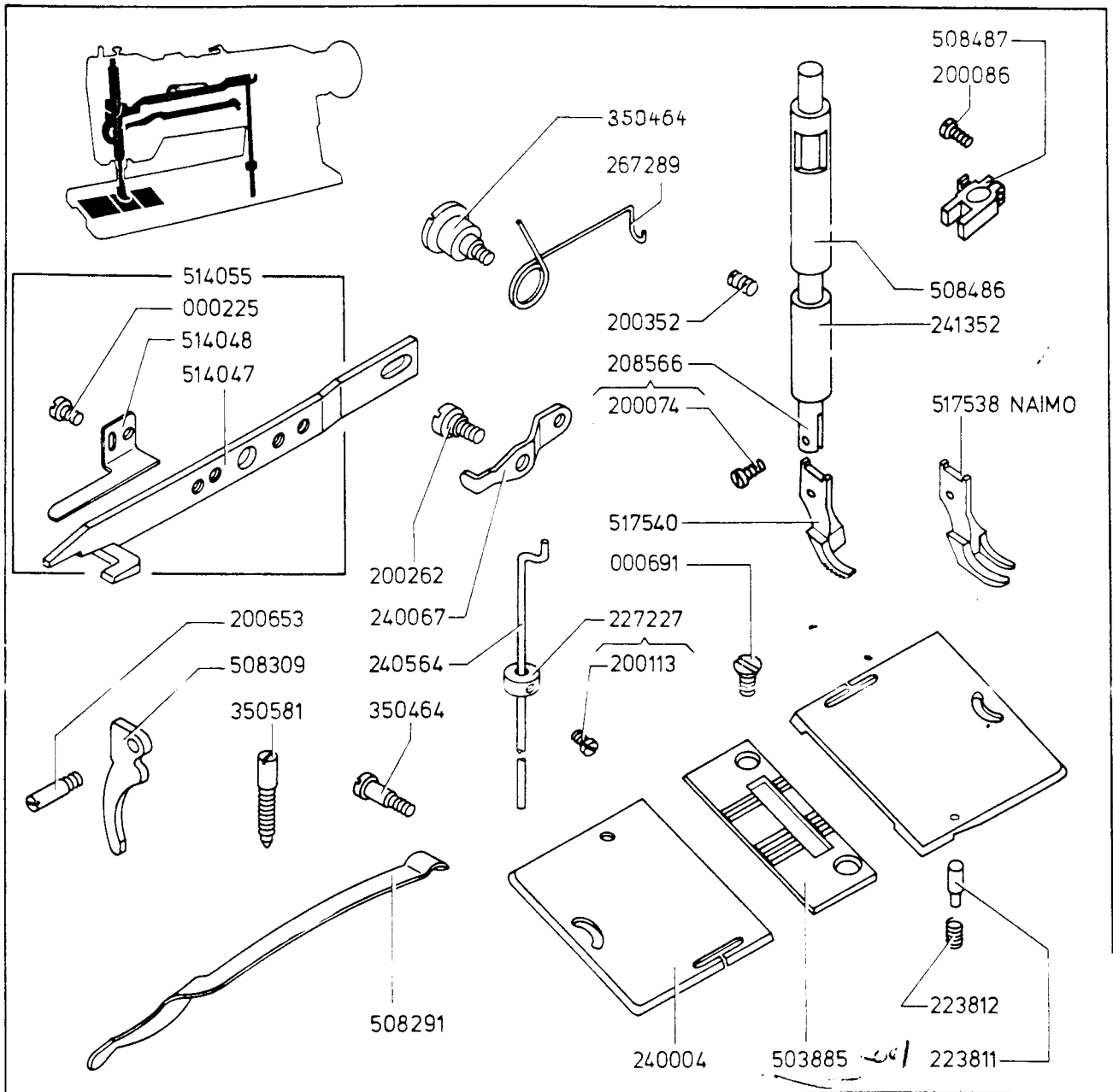
SINGER
MACHINES

211G165

211G166

211G265

211G266

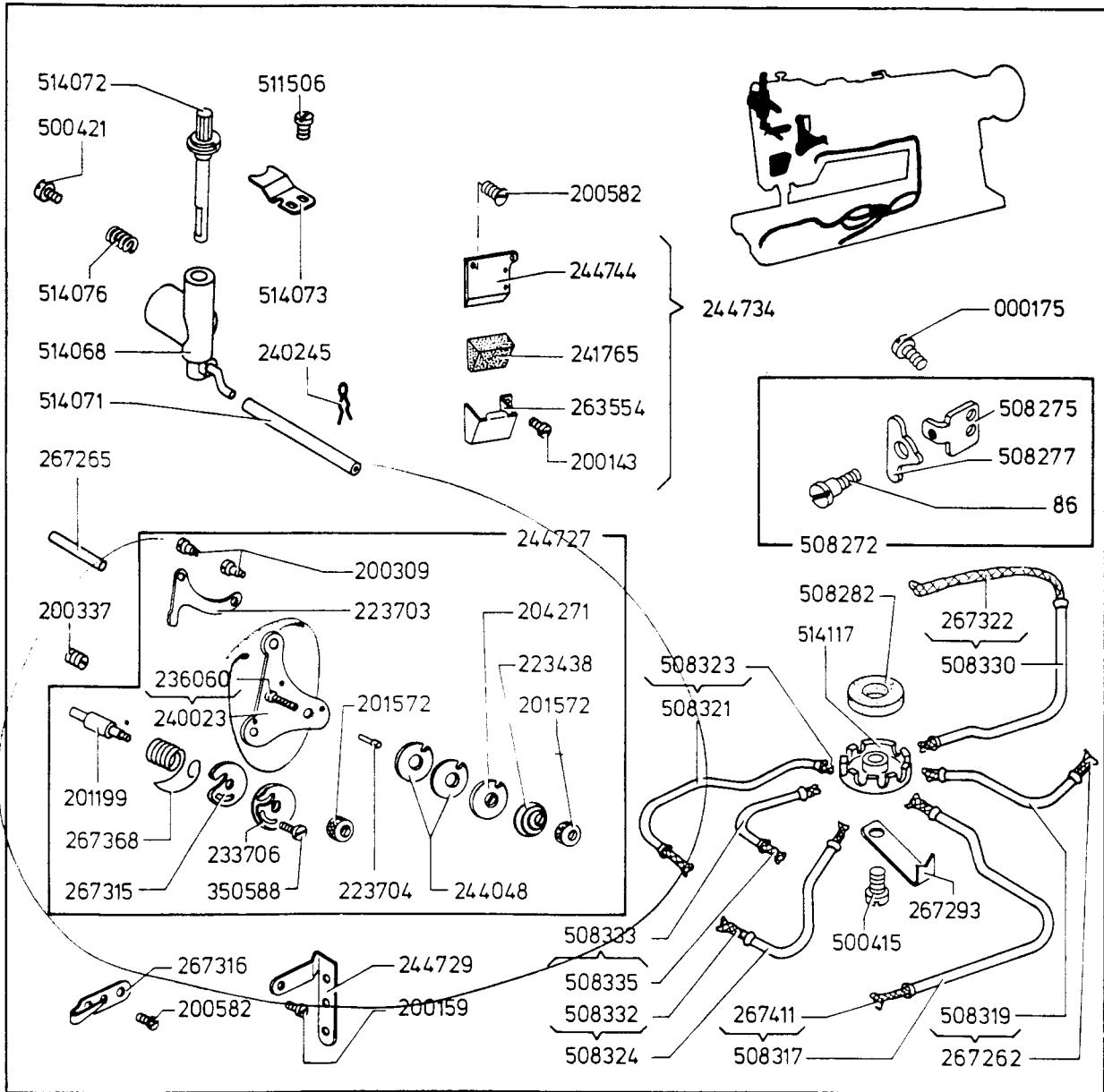


211G165-700-10

| | | | |
|------------|--|------------|---|
| 000225-850 | KNEE LIFTER LIFTING LEVER SCREW | 240067 | KNEE LIFTER CONNECTION LEVER |
| 000691-831 | THROAT PLATE SCREW (2) | 240564 | KNEE LIFTER CONNECTION LEVER LIFTING ROD |
| 200074-850 | LIFTING PRESSER FOOT SCREW | 241352-002 | PRESSER BAR BUSHING (LOWER) |
| 200086-833 | PRESSER BAR SPRING BRACKET PINCH SCREW | 267289 | KNEE LIFTER LIFTING LEVER RETURN SPRING |
| 200113-850 | KNEE LIFTER CONNECTION LEVER LIFTING ROD STOP COLLAR SET SCREW | 350464-819 | KNEE LIFTER LIFTING LEVER PINCH SCREW |
| 200262-850 | KNEE LIFTER CONNECTION LEVER HINGE SCREW | 350581-803 | PRESSER BAR SPRING REGULATING SCREW |
| 200352-833 | PRESSER BAR BUSHING AND POSITION GUIDE SET SCREW | 503885 | THROAT PLATE |
| 200653-803 | PRESSER BAR LIFTER HINGE SCREW | 508291 | PRESSER BAR SPRING (FLAT) |
| 350464-819 | PRESSER BAR SPRING SUPPORT SCREW | 508309 | PRESSER BAR LIFTER |
| 208566 | PRESSER BAR WITH 200074 | 508486 | PRESSER BAR BUSHING (UPPER) |
| 223811 | BED SLIDE (BACK) STOP | 508487 | PRESSER BAR SPRING BRACKET WITH 200086 |
| 223812 | BED SLIDE (BACK) STOP SPRING | 514047 | KNEE LIFTER LIFTING LEVER |
| 227227 | KNEE LIFTER CONNECTION LEVER LIFTING ROD STOP COLLAR WITH 200113 | 514048 | TENSION RELEASE ACTUATING SPRING |
| 240004 | BED SLIDE (FRONT) | 514055 | KNEE LIFTER LIFTING LEVER WITH 225, 514047 AND 514048 |
| | | 517538 | LIFTING PRESSER FOOT (NAIMO) |
| | | 517540 | LIFTING PRESSER FOOT |

PART NO. DESCRIPTION

PART NO. DESCRIPTION



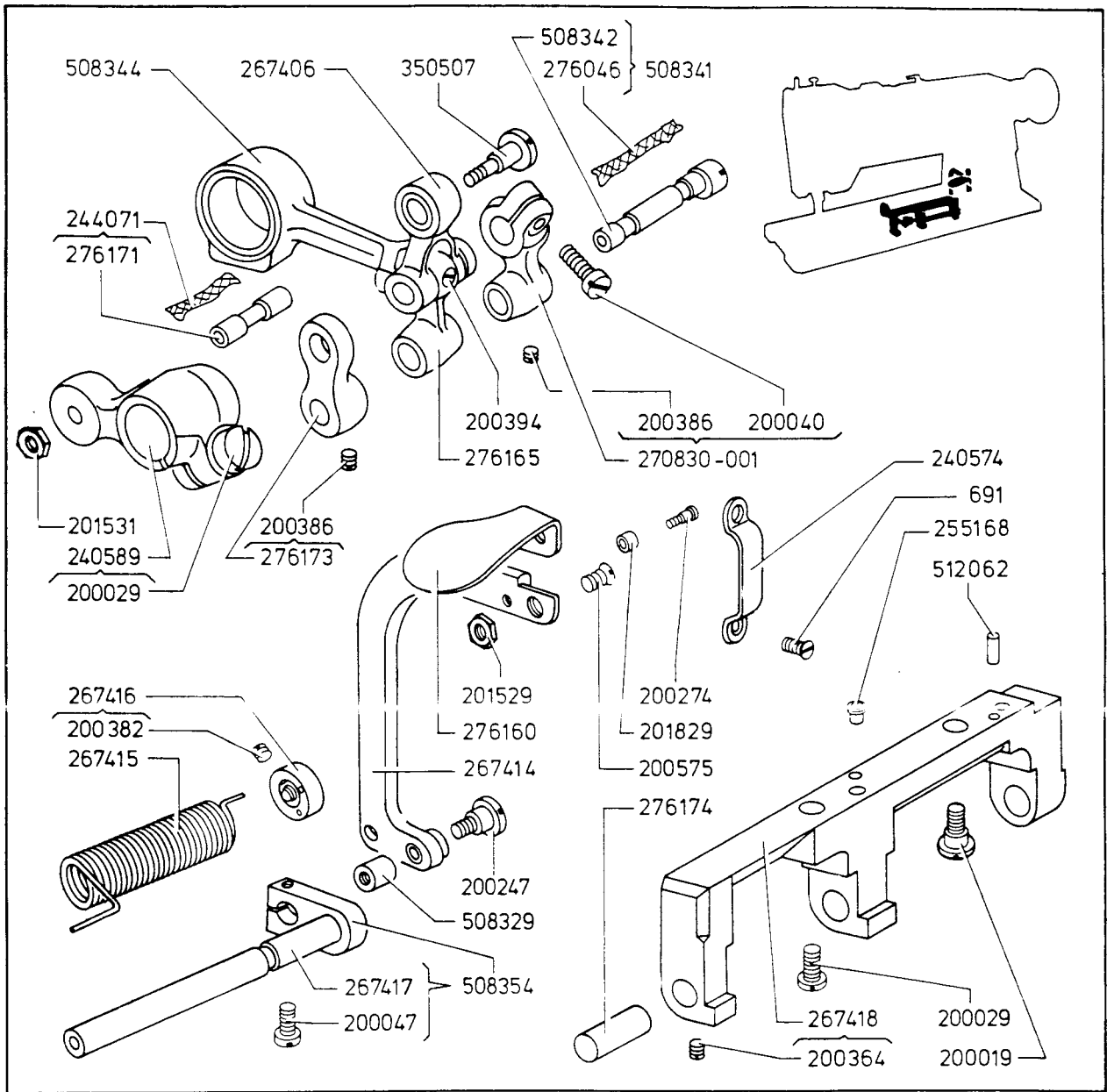
| | |
|------------|---|
| 000086-850 | TENSION RELEASE BELL CRANK HINGE SCREW |
| 000175-850 | TENSION RELEASE BRACKET SCREW (2) |
| 200143-819 | THREAD LUBRICATOR OIL PAD HOLDER SCREW (2) |
| 200159-806 | TENSION BRACKET SCREW |
| 200309-805 | TENSION RELEASE LEVER SCREW (2) |
| 200337-803 | THREAD CONTROLLER STUD SET SCREW |
| 200582-850 | THREAD GUIDE SCREW |
| 200582-850 | THREAD LUBRICATOR PLATE SCREW (2) |
| 201199 | THREAD CONTROLLER STUD |
| 201572-819 | TENSION THUMB NUT (2) |
| 204271 | TENSION RELEASE WASHER |
| 223438 | TENSION SPRING |
| 223703 | TENSION RELEASE LEVER |
| 223704 | TENSION RELEASE PLUNGER |
| 233706 | THREAD CONTROLLER DISC |
| 236060 | TENSION DISC POSITION PIN |
| 240023 | TENSION BRACKET WITH 236060 |
| 240245 | THREAD LUBRICATING TUBE CLAMP |
| 241765 | THREAD LUBRICATOR OIL PAD (FELT) |
| 244048 | TENSION DISC (2) |
| 244727 | TENSION BRACKET CPL. NOS. 201199, 204271, 223438, 223703, 223704, 233706, 240023, 267315, 267368, 350588 AND TWO EACH 200309, 201572 AND 244048 |
| 244734 | THREAD LUBRICATOR OIL PAD HOLDER CPL. NOS. 241765, 244744, 263554 AND TWO 200143 |
| 244744 | THREAD LUBRICATOR PLATE |
| 263554 | THREAD LUBRICATOR OIL PAD HOLDER |
| 267262 | FEED DRIVING ROCK SHAFT BUSHING OIL TUBE WICK |
| 267265 | TENSION RELEASE LEVER ROD |
| 267293 | BED OIL TUBE CLAMP |
| 267315 | THREAD CONTROLLER SPRING TOP |
| 267316 | THREAD GUIDE |

| | |
|------------|---|
| 244729 | THREAD RETAINER |
| 267322 | BED OIL SUPPLY TUBE OIL WICK |
| 267368 | THREAD CONTROLLER SPRING |
| 267411 | FEED DRIVING ROCK SHAFT BUSHING OIL TUBE |
| 350588-819 | THREAD CONTROLLER DISC SCREW |
| 500415-850 | BED OIL TUBE CLAMP SCREW |
| 500421-850 | THREAD LUBRICATING RESERVOIR CLAMPING SPRING SCREW |
| 508272 | TENSION RELEASE BRACKET CPL. NOS. 86, 508275 AND 508277 |
| 508275 | TENSION RELEASE BRACKET |
| 508277 | TENSION RELEASE BELL CRANK |
| 508282 | BED OIL TUBE CLAMP OILING FELT |
| 508317 | FEED DRIVING ROCK SHAFT BUSHING OIL TUBE WITH 267411 |
| 508319 | FEED DRIVING ROCK SHAFT BUSHING OIL TUBE WITH 267262 |
| 508321 | HOOK DRIVING SHAFT BEARING LEFT OIL TUBE WITH 508323 |
| 508323 | HOOK DRIVING SHAFT BEARING (LEFT) OIL TUBE WICK |
| 508324 | HOOK SATTLE BEARING OIL TUBE WITH 508332 |
| 508330 | BED OIL SUPPLY TUBE WITH 267322 |
| 508332 | HOOK SATTLE BEARING OIL TUBE WICK |
| 508333 | FEED DRIVING ECCENTRIC CONNECTION OIL TUBE WITH 508335 |
| 508335 | FEED DRIVING ECCENTRIC CONNECTION OIL TUBE WICK |
| 511506-869 | THREAD LUBRICATOR REGULATOR SPRING SCREW (2) |
| 514068 | THREAD LUBRICATING RESERVOIR |
| 514071 | THREAD LUBRICATING TUBE |
| 514072 | THREAD LUBRICATION REGULATOR |
| 514073 | THREAD LUBRICATION REGULATOR SPRING |
| 514076 | THREAD LUBRICATING RESERVOIR CLAMPING SPRING |
| 514117 | BED OIL TUBE CLAMP |

211G165-800-(0870)

PART NO. DESCRIPTION

PART NO. DESCRIPTION



Parts for Machine 211 G 166

211G166-1000-(0870,-645)

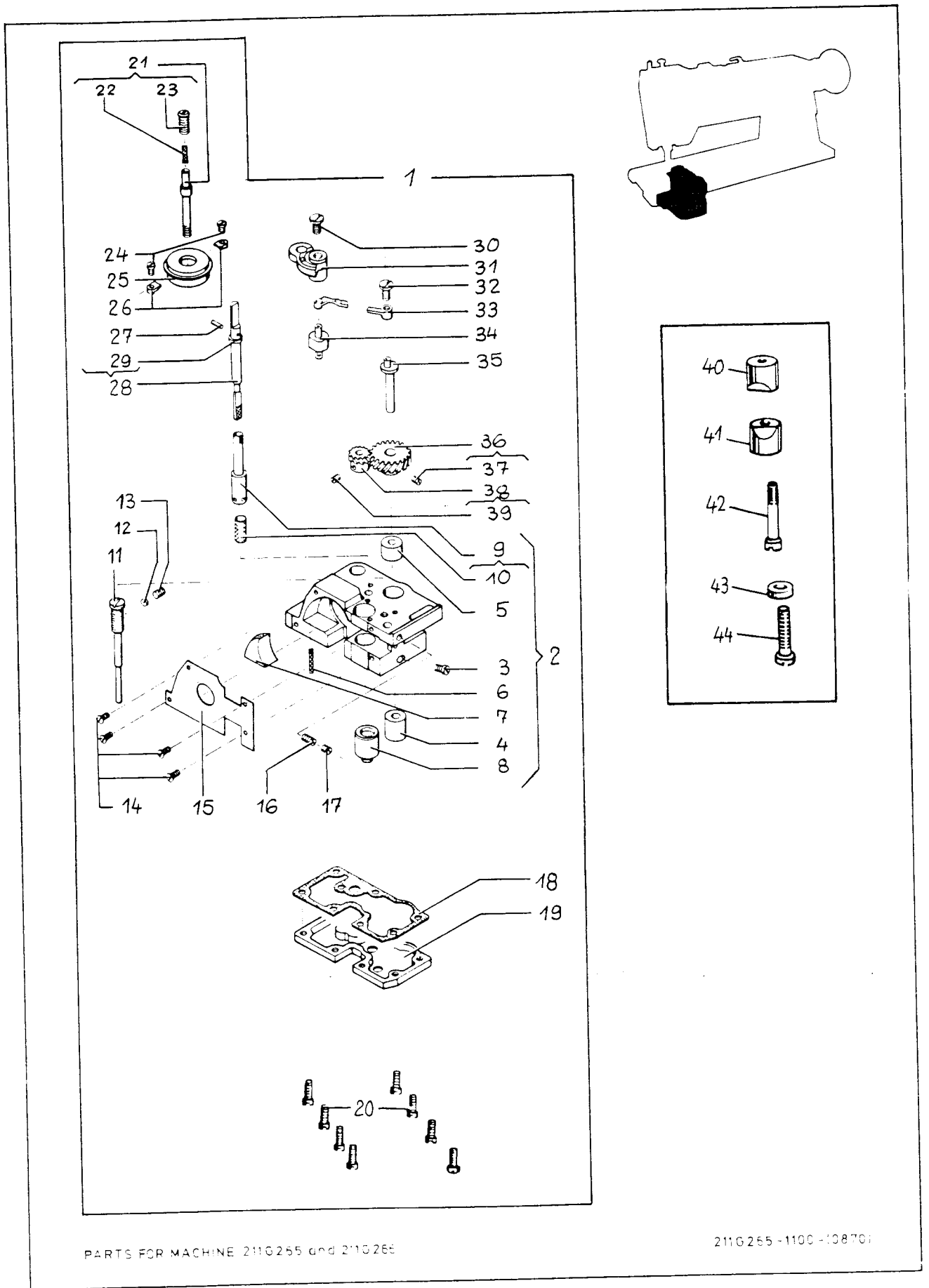
For parts not illustrated, refer to machine 211 G 165 (page 100-900)

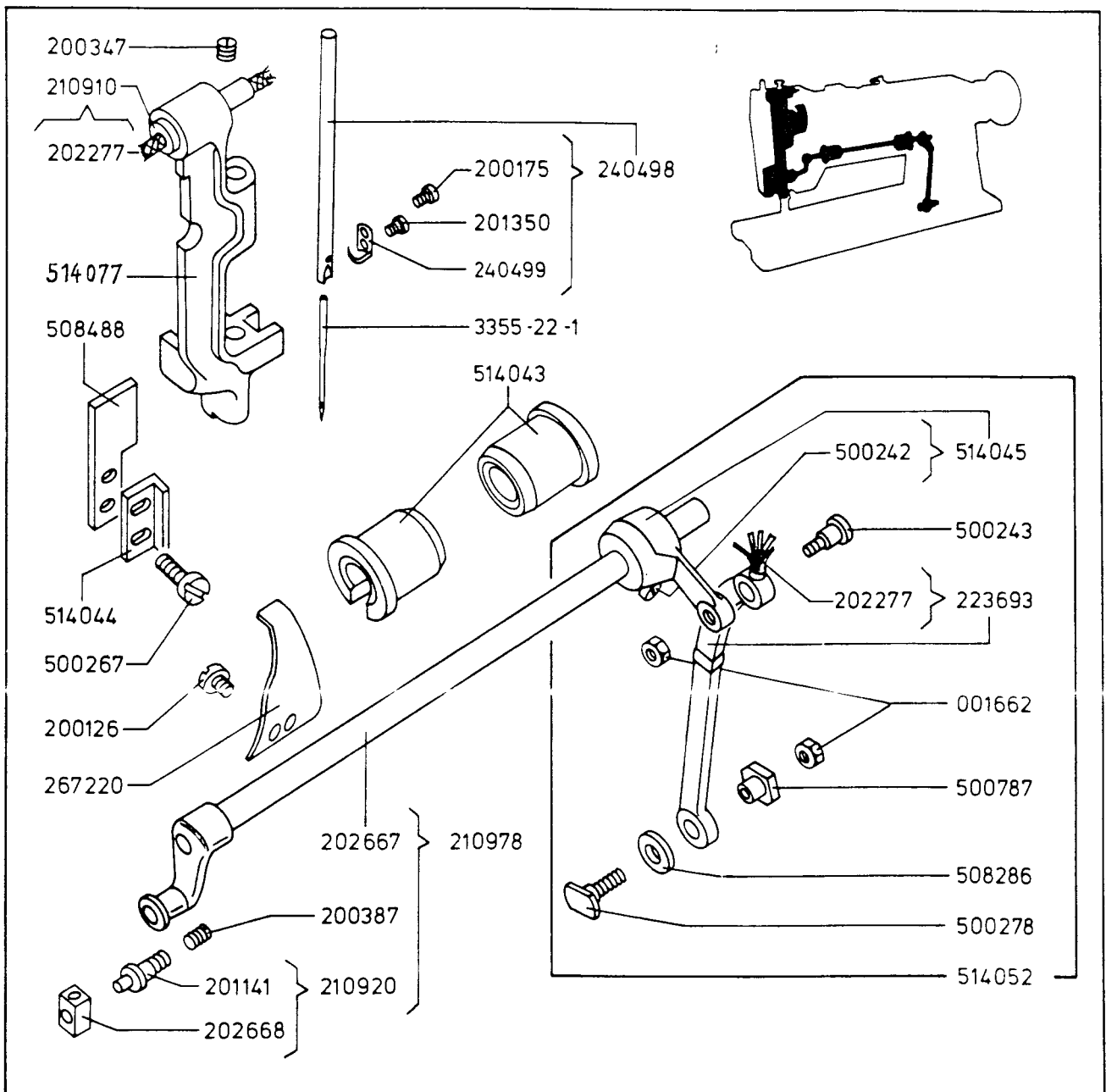
| | |
|------------|---|
| 691-831 | FEED REVERSING LEVER GUIDE ROLLER POSITION PLATE SCREW (2) |
| 200019-850 | FEED REVERSING SHAFT BRACKET SCREW |
| 200029-805 | FEED REVERSING SHAFT BRACKET SCREW |
| 200029-850 | FEED DRIVING ROCK SHAFT CRANK PINCH SCREW |
| 200040-833 | FEED REVERSING SHAFT CRANK PINCH SCREW |
| 200047-850 | FEED REVERSING SHAFT DRIVING STUD PINCH SCREW |
| 200247-803 | FEED REVERSING LEVER PINCH SCREW |
| 200274-803 | FEED REVERSING LEVER GUIDE ROLLER SCREW STUD |
| 200364-830 | FEED REVERSING MECHANISM SUPPORT LINK STUD SET SCREW |
| 200382-833 | FEED REVERSING LEVER SPRING COLLAR SET SCREW (2) |
| 200386-833 | FEED REVERSING SHAFT CRANK HINGE STUD SET SCREW (2) |
| 200394-803 | FEED DRIVING ECCENTRIC CONNECTION LINK HINGE PIN SET SCREW |
| 200575-819 | FEED REVERSING LEVER HANDLE SCREW |
| 201529-819 | FEED REVERSING LEVER HANDLE SCREW NUT |
| 201531-805 | FEED DRIVING ROCK SHAFT CRANK HINGE SCREW NUT |
| 201829 | FEED REVERSING LEVER GUIDE ROLLER |
| 240574 | FEED REVERSING LEVER GUIDE ROLLER POSITION PLATE |
| 240589 | FEED DRIVING ROCK SHAFT WITH 200029 |
| 244071 | FEED DRIVING ECCENTRIC CONNECTION LINK HINGE PIN OIL PACKING (WICK) |

| | |
|------------|---|
| 255169 | BED OIL CUP (2) |
| 267406 | FEED DRIVING ECCENTRIC CONNECTION |
| 267414 | FEED REVERSING LEVER |
| 267415 | FEED REVERSING LEVER SPRING |
| 267416 | FEED REVERSING LEVER SPRING COLLAR WITH TWO 200382 |
| 267417 | FEED REVERSING SHAFT |
| 267418 | FEED REVERSING SHAFT BRACKET WITH 200364 |
| 270830-001 | FEED REVERSING SHAFT CRANK WITH 200040 AND 200386 |
| 276046 | FEED REVERSING SHAFT CRANK HINGE STUD OIL PACKING (WICK) |
| 276160 | FEED REVERSING LEVER HANDLE |
| 276165 | FEED REVERSING SHAFT LINK WITH 200394 |
| 276171 | FEED DRIVING ECCENTRIC CONNECTION LINK HINGE PIN PIN OILING PACKING WITH 244071 |
| 276173 | FEED REVERSING MECHANISM SUPPORT LINK WITH 200386 |
| 276174 | FEED REVERSING SHAFT CRANK HINGE STUD SET SCREW |
| 350507-803 | FEED DRIVING ROCK SHAFT CRANK HINGE SCREW |
| 508329 | FEED REVERSING SHAFT DRIVING STUD |
| 508341 | FEED REVERSING SHAFT CRANK HINGE STUD WITH 276046 AND 508342 |
| 508342 | FEED REVERSING SHAFT CRANK HINGE STUD |
| 508344 | FEED DRIVING ECCENTRIC CONNECTION |
| 508354 | FEED REVERSING SHAFT WITH 267417 AND 200047 |
| 512062 | FEED REVERSING SHAFT BRACKET POSITION PIN (2) |

PART NO. DESCRIPTION

PART NO. DESCRIPTION





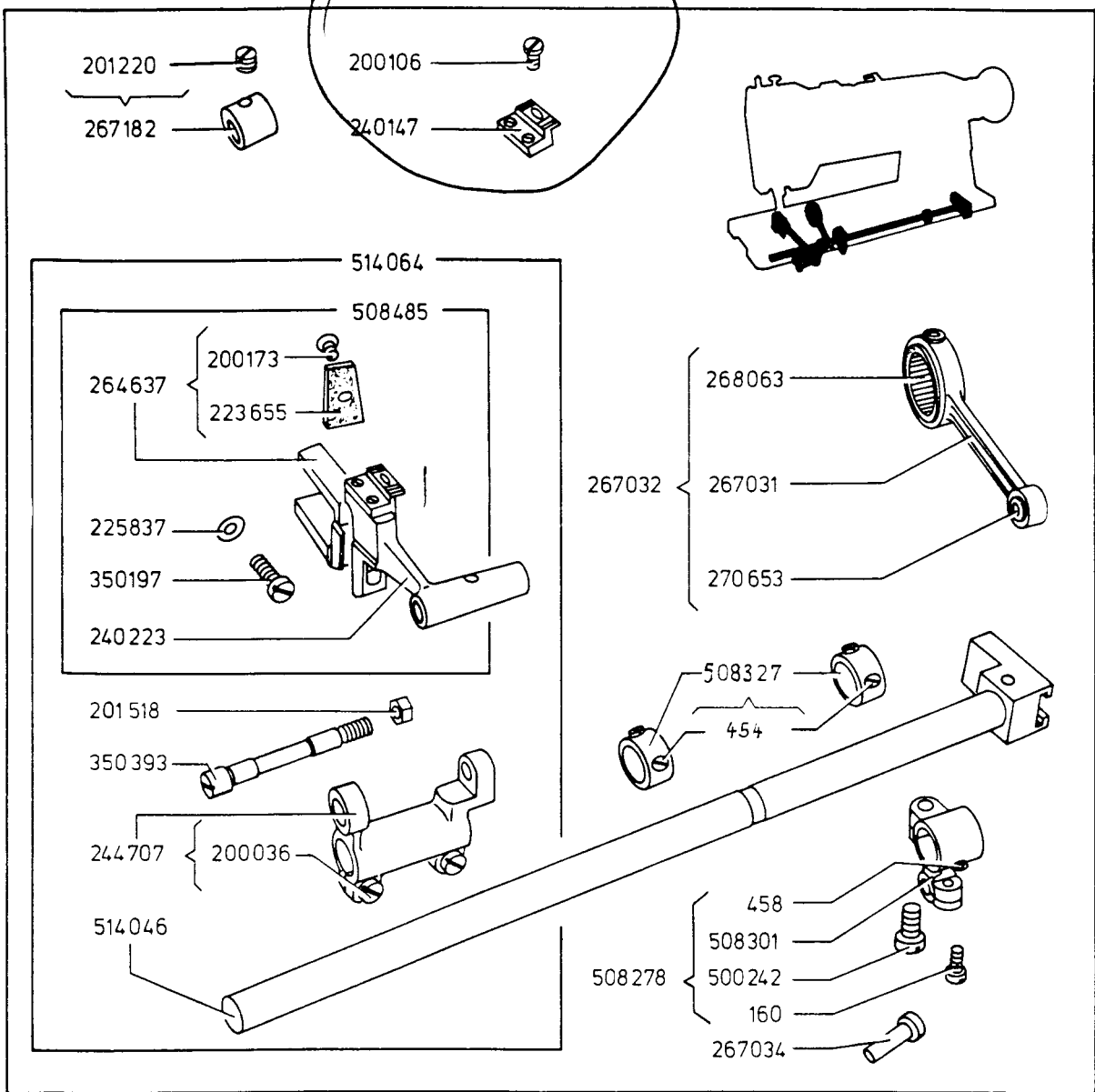
211G165-300-10870

| | |
|-------------|---|
| 001662-805 | NEEDLE BAR ROCK SHAFT CRANK SLIDE SCREW LOCK NUT AND CONNECTION HINGE SCREW NUT (2) |
| 003355-22-1 | NEEDLE |
| 200126-805 | OIL GUARD SCREW (2) |
| 200175-850 | NEEDLE BAR THREAD GUIDE SCREW |
| 200347-833 | TAKE-UP LEVER HINGE STUD SET SCREW |
| 200387-830 | NEEDLE BAR ROCK FRAME ROCK SHAFT SLIDE BLOCK STUD SET SCREW |
| 201141-803 | NEEDLE BAR ROCK FRAME ROCK SHAFT SLIDE BLOCK STUD |
| 201350-806 | NEEDLE SET SCREW |
| 202277 | TAKE-UP LEVER HINGE STUD OIL WICK |
| 202277 | NEEDLE BAR ROCK FRAME ROCK SHAFT CRANK CONNECTION OIL WICK |
| 202667 | NEEDLE BAR ROCK FRAME ROCK SHAFT |
| 202668 | NEEDLE BAR ROCK FRAME ROCK SHAFT SLIDE BLOCK |
| 210910 | TAKE-UP LEVER HINGE STUD WITH 202277 |
| 210920 | NEEDLE BAR ROCK FRAME ROCK SHAFT SLIDE BLOCK CPL. NOS. 201141 AND 202668 |
| 210978 | NEEDLE BAR ROCK FRAME ROCK SHAFT CPL. NOS. 200387, 202667 AND 210920 |

| | |
|---------------|---|
| 223693 | NEEDLE BAR ROCK FRAME ROCK SHAFT CRANK CONNECTION WITH 202277 |
| 514077 | NEEDLE BAR ROCK FRAME |
| 240498 | NEEDLE BAR WITH 200175, 201350 AND 508456 |
| 240499 | NEEDLE BAR THREAD GUIDE |
| 267220 | OIL GUARD |
| 500242-850 | NEEDLE BAR ROCK SHAFT CONNECTION LINK CRANK PINCH SCREW |
| 500243-803 | NEEDLE BAR ROCK SHAFT CONNECTION HINGE SCREW |
| 500267-850 | PRESSER BAR GUIDE SCREW (2) |
| 500278-803 | NEEDLE BAR ROCK SHAFT CRANK SLIDE SCREW |
| 500787-803 | NEEDLE BAR ROCK SHAFT CRANK SLIDE SCREW NUT |
| 508286 | NEEDLE BAR ROCK SHAFT CRANK SLIDE SCREW SPACER |
| 508488 | PRESSER BAR GUIDE |
| 514043 | NEEDLE BAR ROCK SHAFT BUSHING (2) |
| 514044 | NEEDLE BAR ROCK FRAME POSITION BRACKET |
| 514045 | NEEDLE BAR ROCK SHAFT CONNECTION LINK CRANK WITH 500242 |
| 514052 | NEEDLE BAR ROCK SHAFT CONNECTION LINK CRANK CPL. NOS. 223693, 500243, 500278, 500787, 508286, 514045 AND TWO 1662 |

PART NO. DESCRIPTION

PART NO. DESCRIPTION



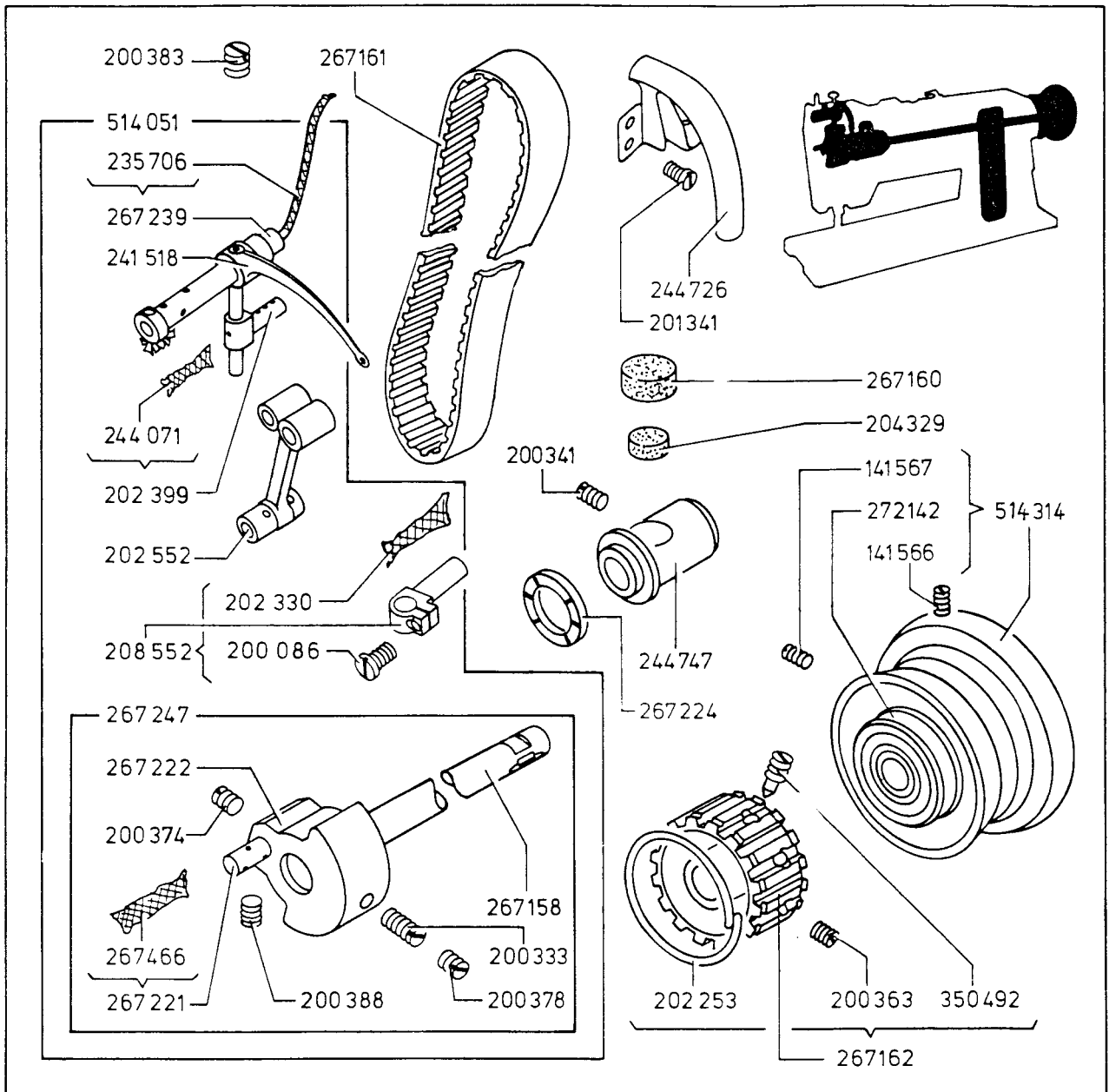
211G165-400-10870

| | |
|---------------|--|
| 000160-803 | FEED DRIVING ECCENTRIC CONNECTION HINGE STUD SCREW |
| 000458-830 | FEED DRIVING ROCK SHAFT CRANK POSITION SCREW |
| 200036-850 | FEED DRIVING ROCK FRAME PINCH SCREW (2) |
| 200106-833 | FEED DOG SCREW (2) |
| 200173-804 | FEED LIFTING ECCENTRIC OILING FELT SCREW |
| 454-850 | FEED DRIVING ROCK SHAFT STOP COLLAR SET SCREW (4) |
| 201220-833 | FEED LIFTING ECCENTRIC SET SCREW |
| 201518-805 | FEED BAR HINGE SCREW NUT |
| 508327 | FEED DRIVING ROCK SHAFT STOP COLLAR (2) WITH TWO EACH 200383-850 |
| 223655-000 | FEED LIFTING ECCENTRIC OILING FELT |
| 225837-000 | FEED LIFTING ECCENTRIC FORK SCREW WASHER |
| 240147-000 | FEED DOG |
| 240223-000 | FEED BAR |
| 244707-000 | FEED DRIVING ROCK FRAME WITH TWO 200036 |
| 264637-000 | FEED LIFTING ECCENTRIC FORK WITH 200173 AND 223655 |
| 267031-000 | FEED DRIVING ECCENTRIC CONNECTION |

| | |
|------------|---|
| 267032-000 | FEED DRIVING ECCENTRIC CONNECTION CPL. NOS. 267031, 268063 AND 270653 |
| 267034-000 | FEED DRIVING ECCENTRIC CONNECTION HINGE STUD |
| 267182-000 | FEED LIFTING ECCENTRIC WITH 201220 |
| 268063-000 | FEED DRIVING ECCENTRIC CONNECTION NEEDLE BEARING |
| 270653-000 | FEED DRIVING ECCENTRIC CONNECTION HINGE STUD NEEDLE BEARING |
| 350197-805 | FEED LIFTING ECCENTRIC FORK SCREW |
| 350393-803 | FEED BAR HINGE SCREW |
| 500242-850 | FEED DRIVING ROCK SHAFT CRANK PINCH SCREW |
| 508278-000 | FEED DRIVING ROCK SHAFT CRANK CPL. NOS. 160, 458, 500242 AND 508301 |
| 508301-000 | FEED DRIVING ROCK SHAFT CRANK |
| 508485-000 | FEED BAR CPL. NOS. 225837, 240223, 264637 AND 350197 |
| 514046-000 | FEED DRIVING ROCK SHAFT |
| 514064-000 | FEED DRIVING ROCK SHAFT CPL. NOS. 201518, 244707, 350393, 508485 AND 514046 |

PART NO. DESCRIPTION

PART NO. DESCRIPTION



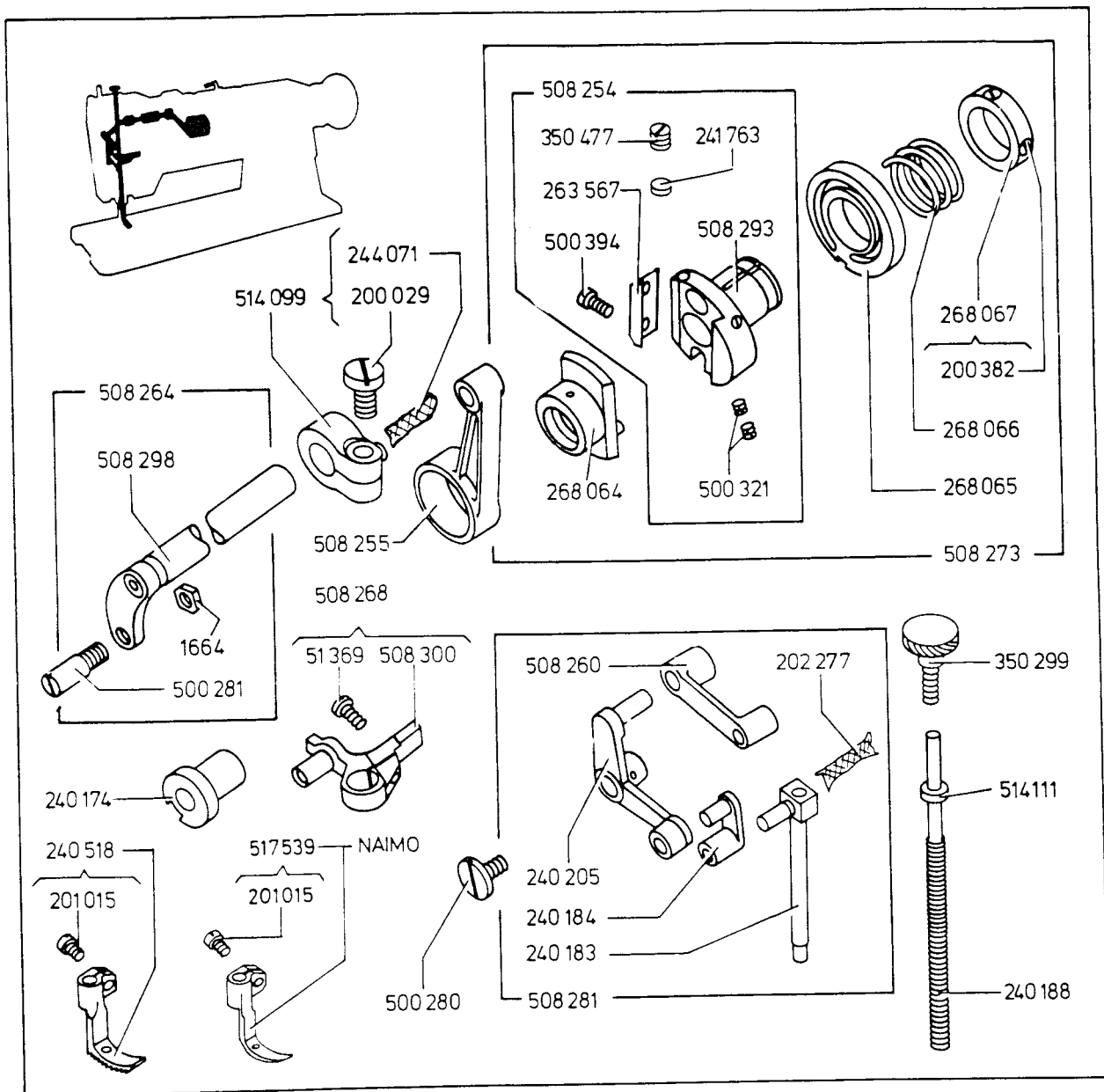
211G165-100-(0870)

- 141566-833 MACHINE PULLEY POSITION SCREW
- 141567-833 MACHINE PULLEY SET SCREW
- 200086-833 NEEDLE BAR CONNECTING STUD PINCH SCREW
- 200333-803 NEEDLE BAR CRANK POSITION SCREW
- 200341-803 ARM SHAFT BUSHING SET SCREW
- 200363-833 ARM SHAFT CONNECTION BELT PULLEY SET SCREW
- 200374-833 NEEDLE BAR CONNECTING UNK STUD SET SCREW
- 200378-850 NEEDLE BAR CRANK CHECK SCREW
- 200383-850 TAKE - UP LEVER HINGE STUD SET SCREW
- 200388-850 NEEDLE BAR CONNECTING LINK STUD SET SCREW
- 201341-803 TAKE - UP LEVER GUARD SCREW (3)
- 202253-000 ARM SHAFT CONNECTION BELT PULLEY SPRING FLANGE (2)
- 202330-000 NEEDLE BAR CONNECTING STUD WICK
- 202399-000 TAKE - UP LEVER DRIVING STUD WITH 244071
- 202552-000 NEEDLE BAR CONNECTING LINK
- 204329-000 ARM SHAFT BUSHING OIL PAD (FELT) (LOWER)
- 208552-000 NEEDLE BAR CONNECTING STUD WITH 200086 AND 202330
- 235706-000 TAKE - UP LEVER HINGE STUD OIL WICK
- 241518-000 TAKE - UP LEVER
- 244071-000 TAKE - UP LEVER DRIVING STUD OIL WICK

- 244726-000 TAKE - UP LEVER GUARD
- 244747-000 ARM SHAFT BUSHING (FRONT)
- 267158-000 ARM SHAFT
- 267160-000 ARM SHAFT BUSHING OIL PAD (FELT) (UPPER)
- 267161-000 ARM SHAFT CONNECTION BELT (REINFORCED NEOPRENE)
- 267162-000 ARM SHAFT CONNECTION BELT PULLEY WITH 200363, 350492 AND TWO 202253
- 267221-000 NEEDLE BAR CONNECTING LINK STUD WITH 267466
- 267222-000 NEEDLE BAR CRANK
- 267224-000 NEEDLE BAR CRANK FRICTION WASHER
- 267239-000 TAKE - UP LEVER HINGE STUD WITH 235706
- 267247-000 ARM SHAFT WITH 200333, 200374, 200378, 200388, 267158, 267221 AND 267222
- 267466-000 NEEDLE BAR CONNECTING LINK STUD WICK
- 272142-000 ARM SHAFT BALL BEARING (BACK)
- 350492-830 ARM SHAFT CONNECTION BELT PULLEY POSITION SCREW
- 514314-000 MACHINE PULLEY CPL. NOS. 141566, 141567 AND 272142
- 514051-000 ARM SHAFT CPL. NOS. 202399, 208552, 238251, 241518, 267239 AND 267247

PART NO. DESCRIPTION

PART NO. DESCRIPTION



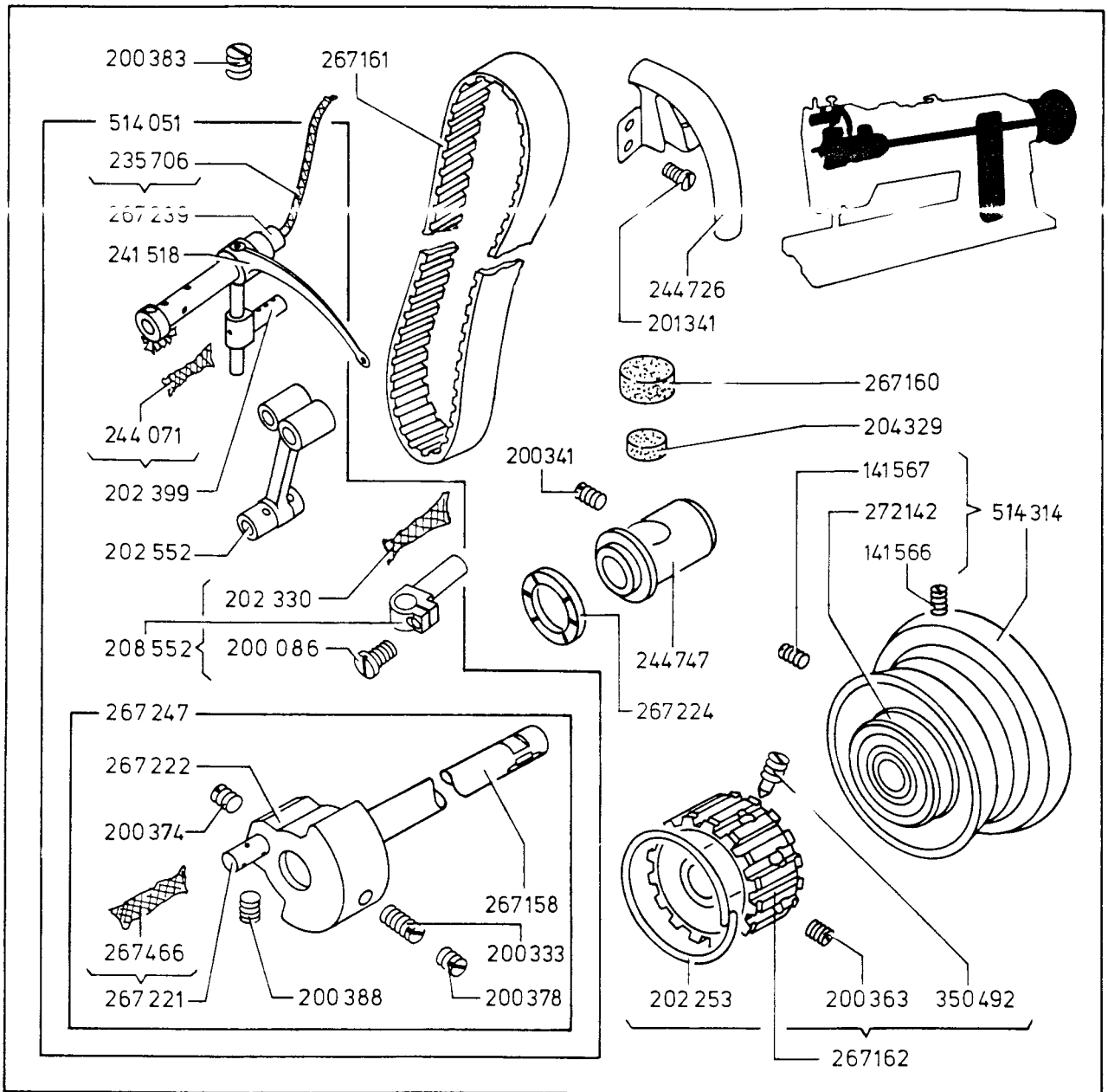
211G165-200-0870

| | |
|------------|--|
| 001664-805 | LIFTING BELL CRANK LINK SCREW STUD NUT |
| 051369-803 | PRESSER BAR LIFTER BRACKET PINCH SCREW |
| 200029-805 | LIFTING ECCENTRIC CONNECTION CRANK PINCH SCREW |
| 200382-833 | LIFTING ECCENTRIC ADJUSTING DISC SPRING COLLAR SET SCREW (2) |
| 201015-850 | VIBRATING PRESSER FOOT PINCH SCREW |
| 202277-900 | VIBRATING PRESSER BAR WICK |
| 240174-300 | LIFTING ROCK SHAFT BUSHING (2) |
| 240183-000 | VIBRATING PRESSER BAR |
| 240184-100 | VIBRATING PRESSER BAR CONNECTING LINK |
| 240188-000 | VIBRATING PRESSER BAR EXTENSION SPRING |
| 240205-000 | LIFTING BELL CRANK |
| 240518-000 | VIBRATING PRESSER FOOT WITH 201015 |
| 241763-000 | LIFTING ECCENTRIC FLANGE HEXAGON SOCKET SCREW SET SCREW (2) |
| 244071-000 | LIFTING ECCENTRIC CONNECTION CRANK OIL WICK |
| 263567-000 | LIFTING ECCENTRIC FLANGE |
| 268064-000 | LIFTING ECCENTRIC |
| 268065-000 | FEED DRIVING ECCENTRIC ADJUSTING DISC |
| 268066-000 | FEED DRIVING ECCENTRIC ADJUSTING DISC SPRING |
| 268067-000 | LIFTING ECCENTRIC ADJUSTING DISC SPRING COLLAR WITH TWO 200382 |

| | |
|------------|--|
| 350299-803 | VIBRATING PRESSER BAR THUMB SCREW (PRESSURE REGULATING) |
| 350477-803 | FEED DRIVING ECCENTRIC FLANGE HEXAGON SOCKET SCREW (2) |
| 500280-850 | LIFTING BELL CRANK CAP SCREW |
| 500281-000 | LIFTING BELL CRANK LINK SCREW STUD |
| 500321-869 | LIFTING ECCENTRIC FLANGE HEXAGON SOCKET SCREW (4) |
| 500394-850 | LIFTING ECCENTRIC FLANGE HEXAGON SOCKET SCREW (2) |
| 508254-000 | LIFTING ECCENTRIC FLANGE HEXAGON SOCKET SCREW (2) NOS. 241763, 350477, 500394 AND FOUR 500321 |
| 508255-000 | LIFTING ECCENTRIC CONNECTION |
| 508256-000 | LIFTING BELL CRANK LINK |
| 508264-000 | LIFTING ROCK SHAFT CPL. NOS. 1664, 500281 AND 508298 |
| 508291-000 | VIBRATING PRESSER BAR WITH BELL CRANK AND LIFTING BELL CRANK CPL. NOS. 202277, 240183, 240184, 240205 AND 508260 |
| 508293-000 | LIFTING ECCENTRIC FLANGE |
| 508298-000 | LIFTING ROCK SHAFT |
| 508300-000 | PRESSER BAR LIFTER BRACKET |
| 514099-000 | LIFTING ECCENTRIC CONNECTION CRANK WITH 200029 AND 244071 |
| 514111-000 | VIBRATING PRESSER BAR EXTENSION |
| 517539 | VIBRATING PRESSER FOOT WITH 201015 (NAIMO) |

PART NO. DESCRIPTION

PART NO. DESCRIPTION



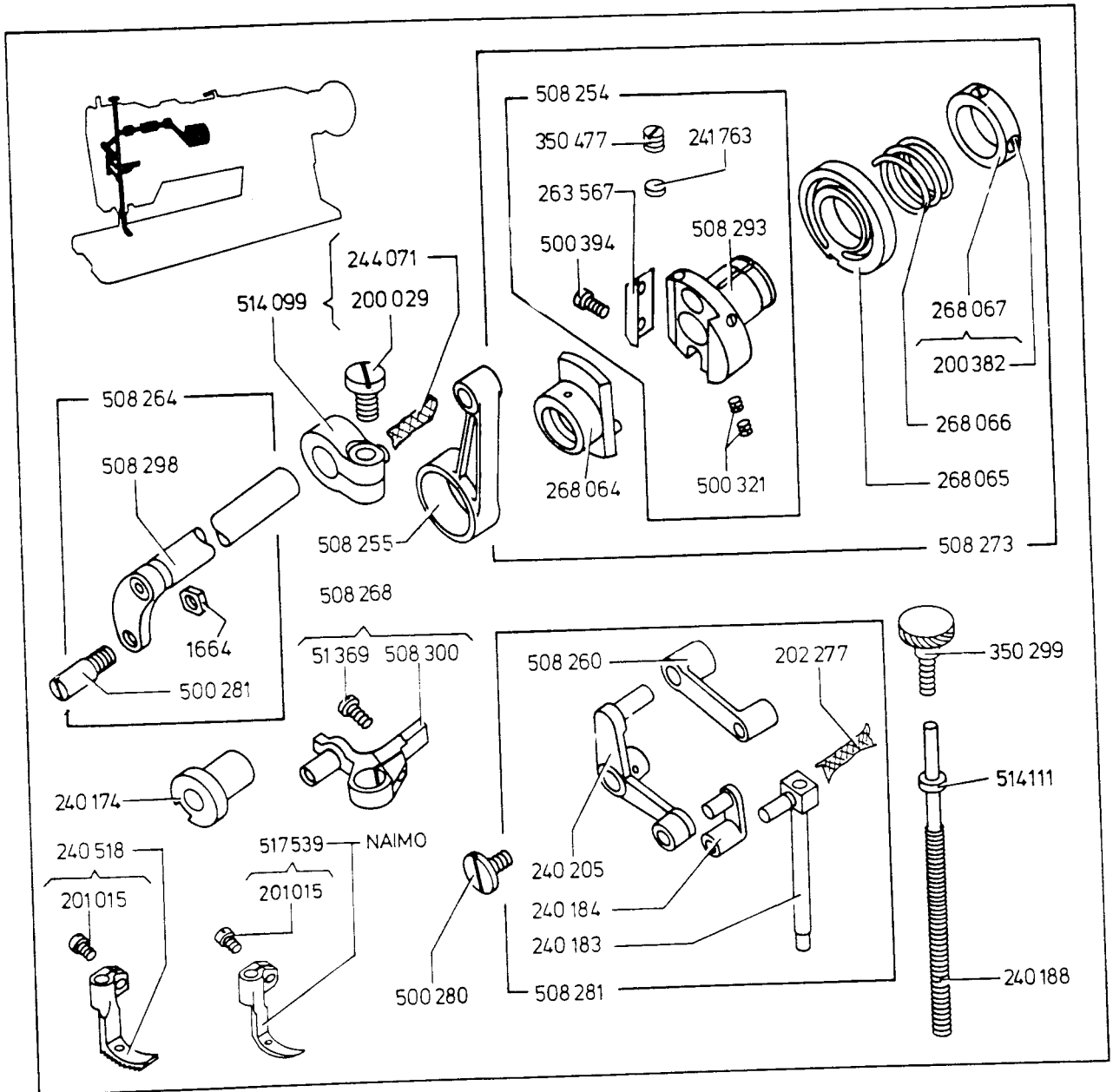
211G165-100-108701

| | |
|------------|--|
| 141566-833 | MACHINE PULLEY POSITION SCREW |
| 141567-833 | MACHINE PULLEY SET SCREW |
| 200086-833 | NEEDLE BAR CONNECTING STUD PINCH SCREW |
| 200333-803 | NEEDLE BAR CRANK POSITION SCREW |
| 200341-803 | ARM SHAFT BUSHING SET SCREW |
| 200363-833 | ARM SHAFT CONNECTION BELT PULLEY SET SCREW |
| 200374-833 | NEEDLE BAR CONNECTING UNK STUD SET SCREW |
| 200378-850 | NEEDLE BAR CRANK CHECK SCREW |
| 200383-850 | TAKE - UP LEVER HINGE STUD SET SCREW |
| 200388-850 | NEEDLE BAR CONNECTING LINK STUD SET SCREW |
| 201341-803 | TAKE - UP LEVER GUARD SCREW (3) |
| 202253-000 | ARM SHAFT CONNECTION BELT PULLEY SPRING FLANGE (2) |
| 202330-000 | NEEDLE BAR CONNECTING STUD WICK |
| 202399-000 | TAKE - UP LEVER DRIVING STUD WITH 244071 |
| 202552-000 | NEEDLE BAR CONNECTING LINK |
| 204329-000 | ARM SHAFT BUSHING OIL PAD (FELT) (LOWER) |
| 208552-000 | NEEDLE BAR CONNECTING STUD WITH 200086 AND 202330 |
| 235706-000 | TAKE - UP LEVER HINGE STUD OIL WICK |
| 241518-000 | TAKE - UP LEVER |
| 244071-000 | TAKE - UP LEVER DRIVING STUD OIL WICK |

| | |
|------------|--|
| 244726-000 | TAKE - UP LEVER GUARD |
| 244747-000 | ARM SHAFT BUSHING (FRONT) |
| 267158-000 | ARM SHAFT |
| 267160-000 | ARM SHAFT BUSHING OIL PAD (FELT) (UPPER) |
| 267161-000 | ARM SHAFT CONNECTION BELT (REINFORCED NEOPRENE) |
| 267162-000 | ARM SHAFT CONNECTION BELT PULLEY WITH 200363, 350492 AND TWO 202253 |
| 267221-000 | NEEDLE BAR CONNECTING LINK STUD WITH 267466 |
| 267222-000 | NEEDLE BAR CRANK |
| 267224-000 | NEEDLE BAR CRANK FRICTION WASHER |
| 267239-000 | TAKE - UP LEVER HINGE STUD WITH 235706 |
| 267247-000 | ARM SHAFT WITH 200333, 200374, 200378, 200388, 267158, 267221 AND 267222 |
| 267466-000 | NEEDLE BAR CONNECTING LINK STUD WICK |
| 272142-000 | ARM SHAFT BALL BEARING (BACK) |
| 350492-830 | ARM SHAFT CONNECTION BELT PULLEY POSITION SCREW |
| 514314-000 | MACHINE PULLEY CPL. NOS. 141566, 141567 AND 272142 |
| 514051-000 | ARM SHAFT CPL. NOS. 202399, 208552, 238251, 241518, 267239 AND 267247 |

PART NO. DESCRIPTION

PART NO. DESCRIPTION



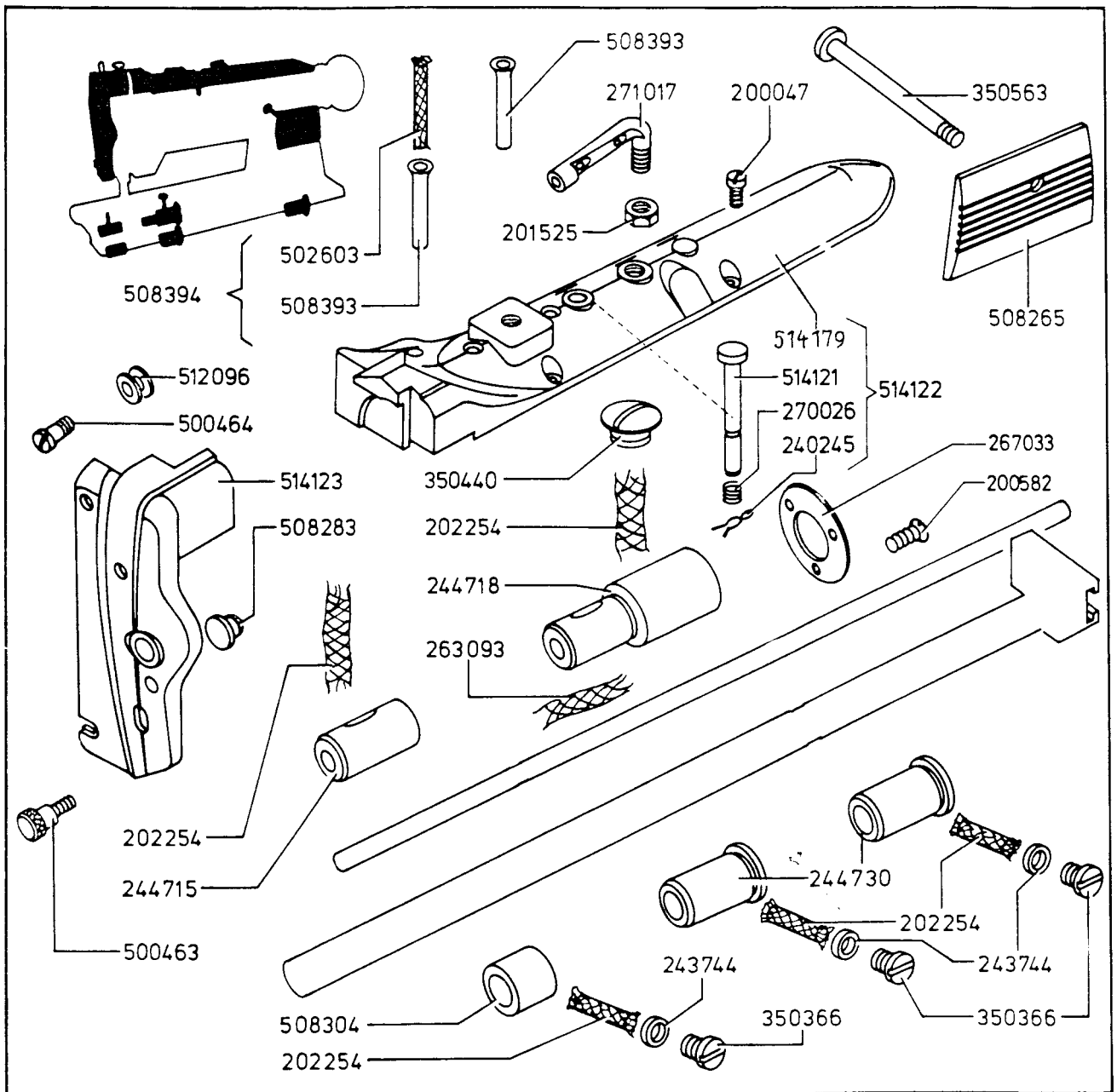
211G165-200-0870

| PART NO. | DESCRIPTION |
|------------|--|
| 001664-805 | LIFTING BELL CRANK LINK SCREW STUD NUT |
| 001369-803 | PRESSER BAR LIFTER BRACKET PINCH SCREW |
| 200029-805 | LIFTING ECCENTRIC CONNECTION CRANK PINCH SCREW |
| 200382-833 | LIFTING ECCENTRIC ADJUSTING DISC SPRING COLLAR |
| 201015-850 | VIBRATING PRESSER FOOT PINCH SCREW |
| 202277-000 | VIBRATING PRESSER BAR WICK |
| 240174-000 | LIFTING ROCK SHAFT BUSHING (2) |
| 240183-000 | VIBRATING PRESSER BAR |
| 240184-000 | VIBRATING PRESSER BAR CONNECTING LINK |
| 240188-000 | VIBRATING PRESSER BAR EXTENSION SPRING |
| 240205-000 | LIFTING BELL CRANK |
| 240518-000 | VIBRATING PRESSER FOOT WITH 201015 |
| 241763-000 | LIFTING ECCENTRIC FRICTION PLATE SCREW SET SCREW |
| 244071-000 | PACKING (BRASS) (2) |
| 263567-000 | LIFTING ECCENTRIC CONNECTION CRANK OIL WICK |
| 268064-000 | LIFTING ECCENTRIC FRICTION PLATE |
| 268065-000 | LIFTING ECCENTRIC |
| 268066-000 | FEED DRIVING ECCENTRIC ADJUSTING DISC |
| 268067-000 | FEED DRIVING ECCENTRIC ADJUSTING DISC SPRING |
| 268067-000 | LIFTING ECCENTRIC ADJUSTING DISC SPRING COLLAR |
| 268067-000 | WITH TWO 200282 |

| | |
|------------|--|
| 350299-803 | VIBRATING PRESSER BAR THUMB SCREW (PRESSURE REGULATING) |
| 350477-803 | FEED DRIVING ECCENTRIC FRICTION PLATE SCREW SET SCREW (2) |
| 500280-850 | LIFTING BELL CRANK CAP SCREW |
| 500281-000 | LIFTING BELL CRANK LINK SCREW STUD |
| 500281-869 | LIFTING ECCENTRIC FLANGE HEXAGON SOCKET SCREW (4) |
| 500293-850 | LIFTING ECCENTRIC FRICTION PLATE SCREW (2) |
| 500293-000 | LIFTING ECCENTRIC FLANGE CPL. NOS. 263567, 508293, TWO EACH 241763, 350477, 500394 AND FOUR 500321 |
| 508293-000 | LIFTING ECCENTRIC CONNECTION |
| 513153-000 | LIFTING BELL CRANK LINK |
| 508264-000 | LIFTING ROCK SHAFT CPL. NOS. 1664, 500281 AND 508298 |
| 508291-000 | VIBRATING PRESSER BAR WITH BELL CRANK AND LIFTING BELL CRANK CPL. NOS. 202277, 240183, 240184, 240205 AND 508260 |
| 508293-000 | LIFTING ECCENTRIC FLANGE |
| 508298-000 | LIFTING ROCK SHAFT |
| 508300-000 | PRESSER BAR LIFTER BRACKET |
| 514099-000 | LIFTING ECCENTRIC CONNECTION CRANK WITH 200029 AND 244071 |
| 514111-000 | VIBRATING PRESSER BAR EXTENSION |
| 517539 | VIBRATING PRESSER FOOT WITH 201015 (NAIMO) |

PART NO. DESCRIPTION

PART NO. DESCRIPTION

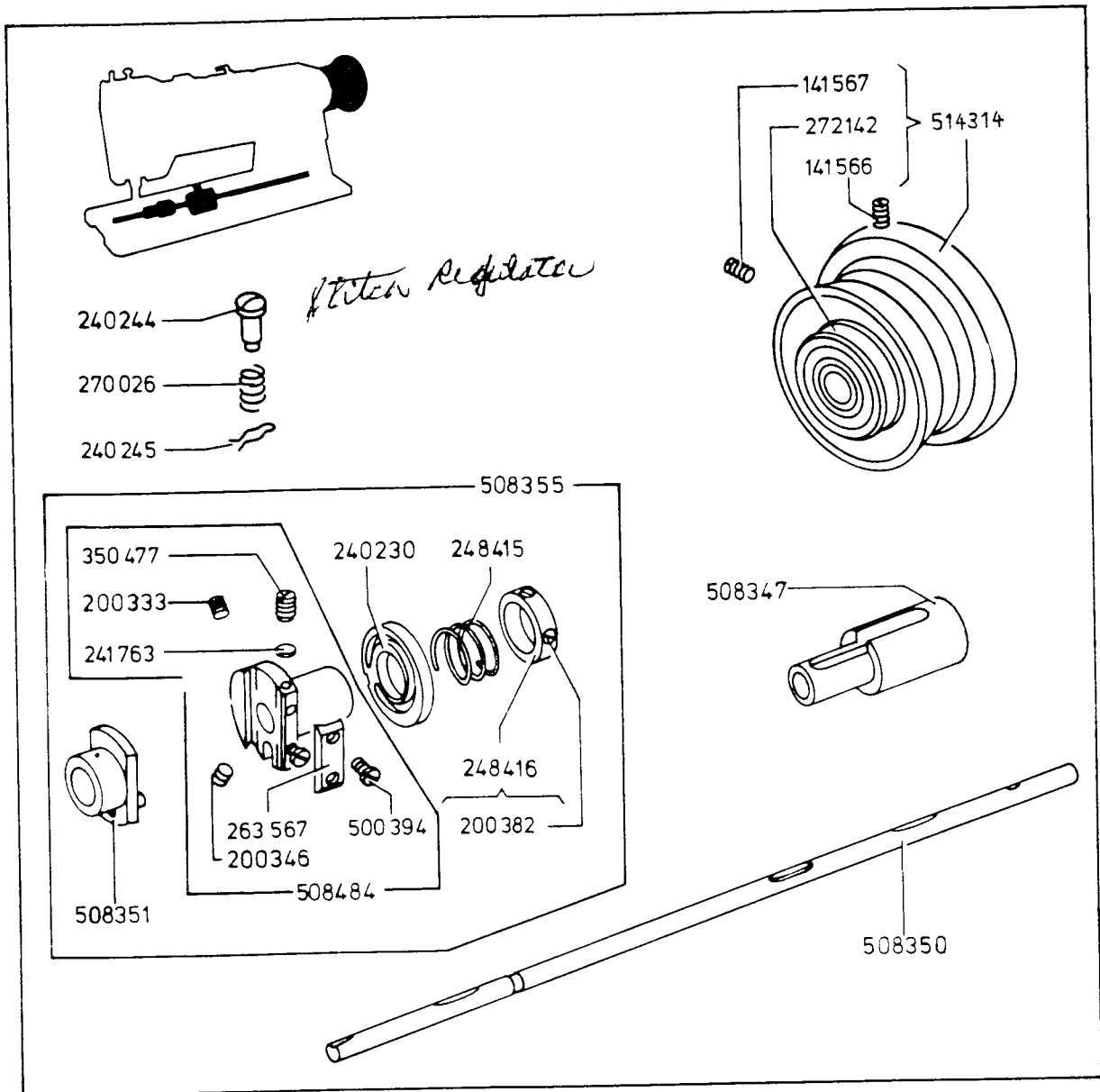


211G155-900-108701

| | | | |
|------------|---|----------------|--|
| 200047-850 | ARM COVER (TOP) SCREW (6) | 350440-819 | BED OIL SCREW |
| 200582-850 | FEED DRIVING ECCENTRIC CONNECTION FRICTION WASHER SCREW (3) | 350563-805 | ARM COVER (SIDE) SCREW |
| 201525-805 | THREAD GUIDE (TOP OF ARM) LOCK NUT | 500463 | FACE PLATE CLAMPING SCREW |
| 202254 | BED OIL WICK (5) | 500464 | FACE PLATE HINGE SCREW |
| 240245 | UPPER FEED REGULATING RETAINING SPRING | 502603 | ARM COVER (TOP) OIL TUBE WICK |
| 243744 | BED OIL STOP SCREW GASKET (3) | 508265 | ARM COVER (SIDE) |
| 244715 | HOOK DRIVING SHAFT BUSHING (LEFT) | 514-179 | ARM COVER (TOP) |
| 244718 | HOOK SADDLE BEARING (RIGHT) | 508283 | FACE PLATE PLUG |
| 244730 | FEED DRIVING ROCK SHAFT BUSHING (CENTER AND BACK) (2) | 508304 | FEED DRIVING ROCK SHAFT BUSHING (FRONT) |
| 263093 | BED OIL WICK | 508393 | ARM COVER (TOP) OIL TUBE (2) |
| 267033 | FEED DRIVING ECCENTRIC CONNECTION FRICTION WASHER | 508394 | ARM COVER (TOP) OIL TUBE WITH 502603 AND 508393 |
| 270026 | UPPER FEED REGULATING SPRING | 512096 | FACE PLATE HINGE SCREW SPRING WASHER (2) |
| 271017 | THREAD GUIDE (TOP OF ARM) | 514121 | UPPER FEED REGULATING STUD |
| 350366-819 | BED OIL STOP SCREW (3) | 514122 | ARM COVER (TOP) CPL. NOS. 240245, 270026, 514-179 AND 514121. |
| | | 514123 | FACE PLATE |

PART NO. DESCRIPTION

PART NO. DESCRIPTION



PARTS FOR MACHINE 211 G 166, 266

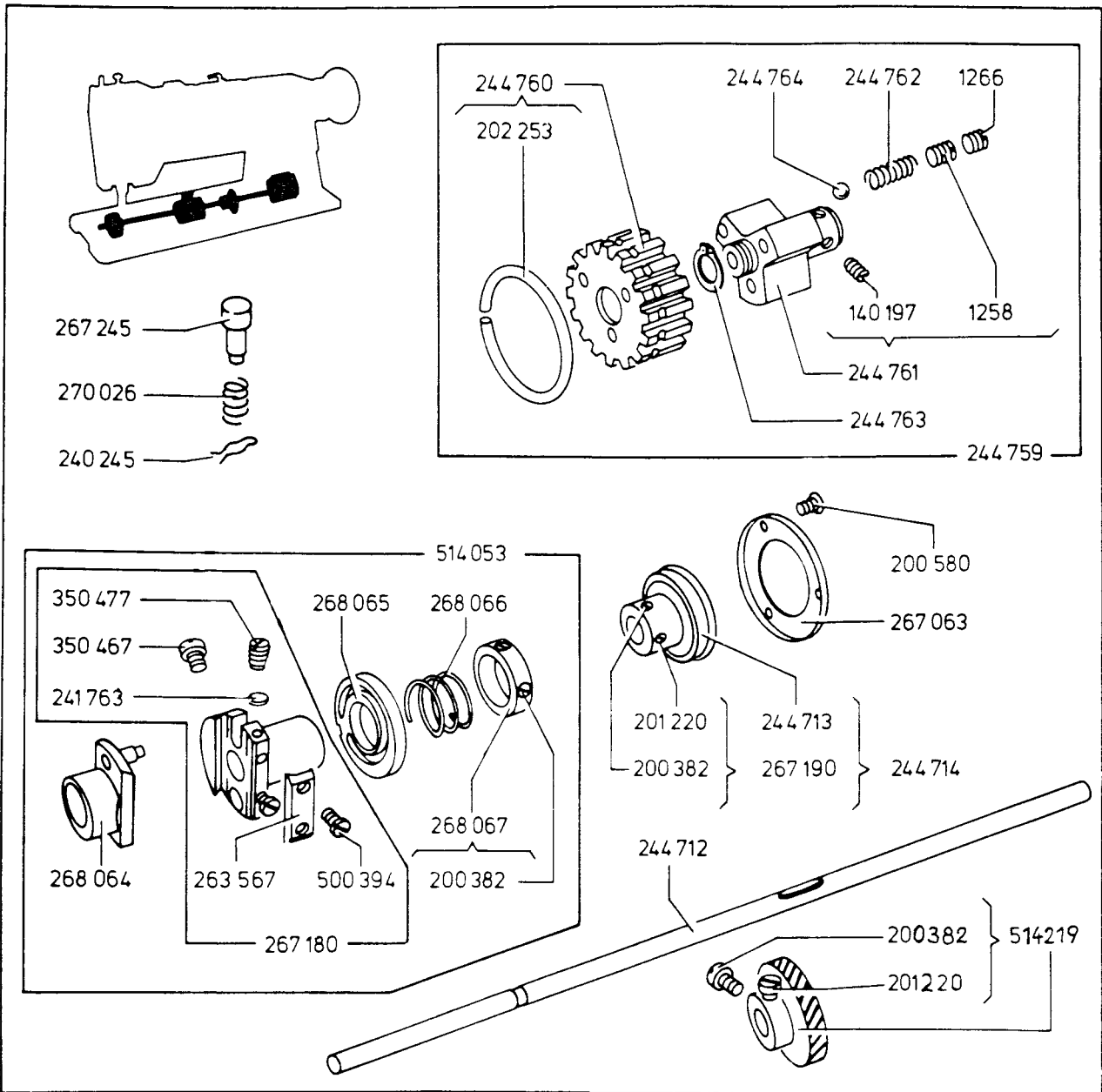
211 G 166, 266 - 910(1170)

| | |
|------------|---|
| 141566-833 | MACHINE PULLEY POSITION SCREW |
| 141567-833 | MACHINE PULLEY SET SCREW |
| 200333-833 | FEED DRIVING FLANGE POSITION SCREW |
| 200346-803 | FEED DRIVING FLANGE SET SCREW |
| 200382-833 | FEED DRIVING ECCENTRIC ADJUSTING DISC SPRING COLLAR SET SCREW (2) |
| 240230 | FEED DRIVING ECCENTRIC ADJUSTING DISC |
| 240244 | FEED REGULATING STUD |
| 240245 | FEED REGULATING STUD RETAINING SPRING |
| 241763 | FEED DRIVING ECCENTRIC FRICTION PLATE SCREW SET SCREW (BRASS) (2) |
| 248415 | FEED DRIVING ECCENTRIC ADJUSTING DISC SPRING |
| 248416 | FEED DRIVING ECCENTRIC ADJUSTING DISC SPRING COLLAR WITH TWO 200382 |
| 263567 | FEED DRIVING ECCENTRIC FRICTION PLATE |

| | |
|------------|--|
| 270026 | FEED REGULATING STUD SPRING |
| 272142 | ARM SHAFT BALL BEARING (BACK) |
| 350477-803 | FEED DRIVING ECCENTRIC FRICTION PLATE SCREW SET SCREW (2) |
| 500394-850 | FEED DRIVING ECCENTRIC FRICTION PLATE SCREW (2) |
| 508347 | HOOK SADDLE GEARING (RIGHT) |
| 508350 | HOOK DRIVING SHAFT |
| 508351 | FEED DRIVING ECCENTRIC |
| 508355 | FEED DRIVING ECCENTRIC CPL. NOS. 240230, 248415, 248416, 267180 AND 508351 |
| 508484 | FEED DRIVING FLANGE WITH 200333, 200346, 263567 AND TWO EACH 241763, 350477 AND 500394 |
| 514314 | MACHINE PULLEY CPL. NOS. 141566, 141567 AND 272142 |

PART NO. DESCRIPTION

PART NO. DESCRIPTION



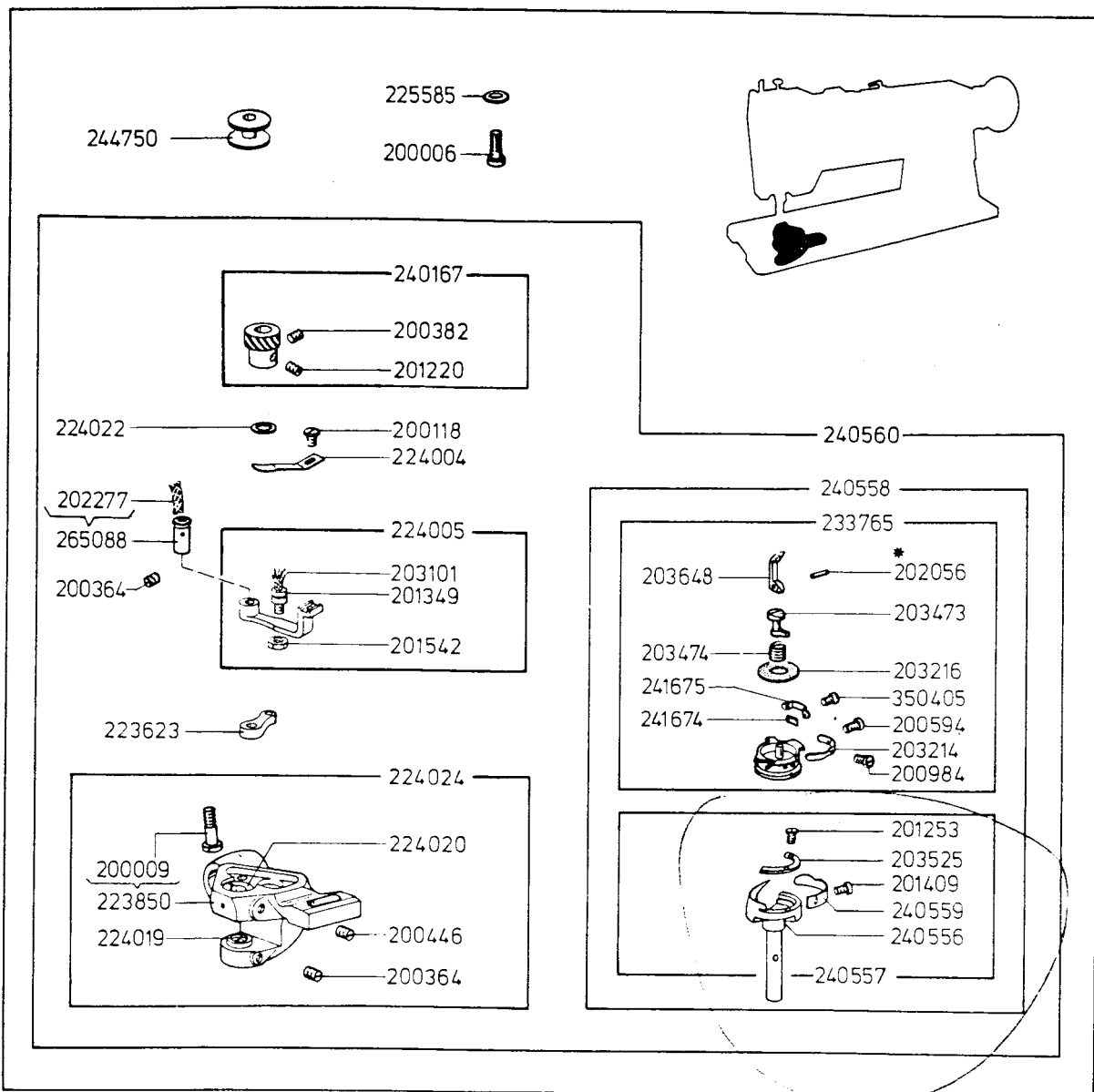
211G165-50C-10870

| | |
|------------|---|
| 001258-830 | SAFETY CLUTCH OVER LOAD PULLEY ADJUSTING SCREW (3) |
| 001266-833 | SAFETY CLUTCH OVER LOAD PULLEY ADJUSTING SCREW LOCK SCREW (3) |
| 140197-830 | SAFETY CLUTCH OVER LOAD PULLEY SET SCREW (2) |
| 200382-833 | HOOK DRIVING PINION SET SCREW |
| 200382-833 | FEED DRIVING ECCENTRIC ADJUSTING DISC SPRING COLLAR SET SCREW (2) |
| 200580-819 | HOOK DRIVING SHAFT BALL BEARING RETAINING WASHER SCREW (3) |
| 201220-833 | HOOK DRIVING PINION POSITION SCREW |
| 200382-830 | HOOK DRIVING GEAR SET SCREW |
| 201210-803 | HOOK DRIVING GEAR POSITION SCREW |
| 202253 | SAFETY CLUTCH BELT PULLEY SPRING FLANGE |
| 240245 | FEED REGULATING STUD RETAINING SPRING |
| 241763 | FEED DRIVING ECCENTRIC FRICTION PLATE SCREW SET SCREW PACKING (brass) (2) |
| 244712 | HOOK DRIVING SHAFT |
| 244713 | HOOK DRIVING SHAFT BALL BEARING |
| 244714 | HOOK DRIVING SHAFT BALL BEARING COLLAR CPL. NOS. 244713 AND 267190 |
| 244759 | SAFETY CLUTCH CPL. NOS. 244760, 244761, 244763 AND THREE EACH 1266, 244762 AND 244764 |
| 244760 | SAFETY CLUTCH BELT PULLEY WITH 202253 |
| 244761 | SAFETY CLUTCH OVER LOAD PULLEY WITH TWO 140197 AND THREE 1258 |

| | |
|------------|--|
| 244762 | SAFETY CLUTCH DRIVING BALL SPRING (3) |
| 244763 | SAFETY CLUTCH OVER LOAD PULLEY RETAINING RING |
| 244764 | SAFETY CLUTCH DRIVING BALL 7/32 in. DIAMETER (3) |
| 263567 | FEED DRIVING ECCENTRIC FRICTION PLATE |
| 267063 | HOOK DRIVING SHAFT BALL BEARING RETAINING WASHER |
| 267180 | FEED DRIVING FLANGE WITH 263567 AND TWO EACH 350467, 350477, 241763 AND 500394 |
| 267190 | HOOK DRIVING SHAFT BALL BEARING COLLAR WITH 200382 AND 201220 |
| 267245 | FEED REGULATING STUD |
| 268064 | FEED DRIVING ECCENTRIC |
| 268065 | FEED DRIVING ECCENTRIC ADJUSTING DISC |
| 268066 | FEED DRIVING ECCENTRIC ADJUSTING DISC SPRING |
| 268067 | FEED DRIVING ECCENTRIC ADJUSTING DISC SPRING COLLAR WITH TWO 200382 |
| 270026 | FEED REGULATING STUD SPRING |
| 350467-803 | FEED DRIVING FLANGE SET SCREW (2) |
| 350477-803 | FEED DRIVING ECCENTRIC FRICTION PLATE SCREW SET SCREW (2) |
| 500394-850 | FEED DRIVING ECCENTRIC FRICTION PLATE SCREW (2) |
| 514219 | HOOK DRIVING GEAR WITH 201254 AND 201421 |
| 514053 | FEED DRIVING ECCENTRIC CPL. NOS. 267180, 268064, 268065, 268066 AND 268067 |

PART NO. DESCRIPTION

PART NO. DESCRIPTION



PARTS MARKED WITH AN ASTERISK (*) ARE FURNISHED ONLY WHEN REPAIRS ARE MADE AT THE FACTORY.

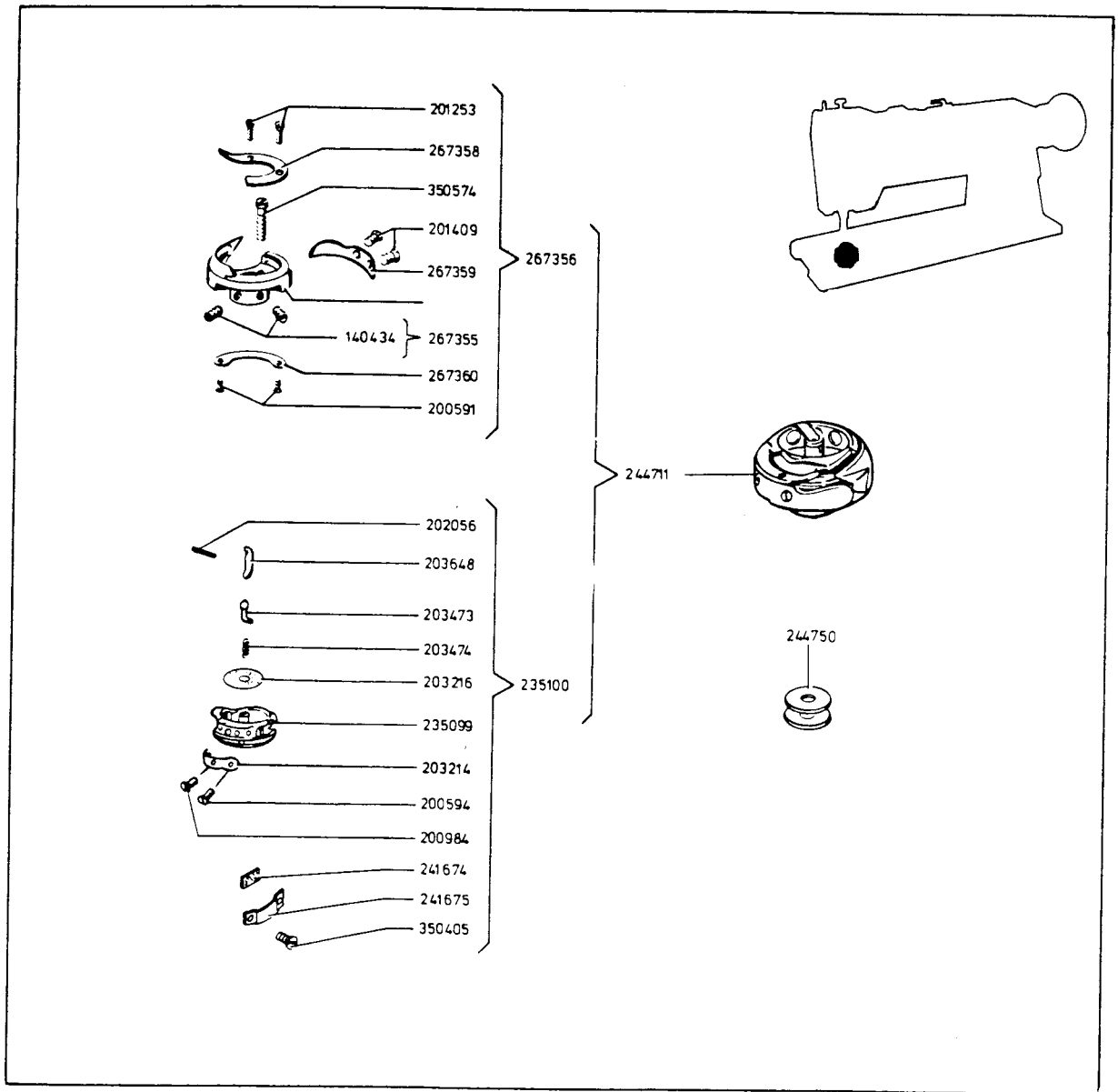
211G165-e00-0870

| | |
|------------|--|
| 200006-805 | HOOK SADDLE SCREW |
| 200009-805 | HOOK SADDLE PINCH SCREW |
| 200118-804 | BOBBIN CASE OPENER SCREW |
| 200364-830 | HOOK BUSHING (LOWER) SET SCREW |
| 200364-830 | BOBBIN CASE OPENER LEVER HINGE STUD SET SCREW |
| 200382-833 | HOOK DRIVING PINION SET SCREW |
| 200446-803 | HOOK BUSHING (UPPER) POSITION SCREW |
| 200594-805 | BOBBIN CASE TENSION SPRING SCREW |
| 200984-830 | BOBBIN CASE TENSION SPRING REGULATING SCREW |
| 201220-833 | HOOK DRIVING PINION POSITION SCREW |
| 201253-806 | HOOK GIB SCREW (2) |
| 201349-803 | BOBBIN CASE OPENER LEVER DRIVING SCREW STUD |
| 201409-806 | HOOK NEEDLE GUARD SCREW (2) |
| 201542-803 | BOBBIN CASE OPENER LEVER DRIVING SCREW STUD NUT |
| 202056-000 | BOBBIN CASE LATCH PIN |
| 202277-000 | HINGE STUD OIL PACKING WICK |
| 203101-000 | BOBBIN CASE OPENER LEVER DRIVING SCREW STUD NUT OIL PACKING WICK |
| 203214-000 | BOBBIN CASE TENSION SPRING |
| 203216-000 | BOBBIN CASE WASHER |
| 203473-000 | BOBBIN CASE LATCH PLUNGER |
| 203474-000 | BOBBIN CASE LATCH SPRING |
| 203525-000 | HOOK GIB |
| 203648-000 | BOBBIN CASE LATCH |
| 223623-000 | BOBBIN CASE OPENER LEVER LINK |
| 223850-000 | HOOK SADDLE WITH 200009 |

| | |
|------------|---|
| 224004-000 | BOBBIN CASE OPENER |
| 224005-000 | BOBBIN CASE OPENER LEVER WITH 201349, 201542 AND 203101. |
| 224019 | HOOK BUSHING (LOWER) |
| 224020 | HOOK BUSHING (UPPER) |
| 224022-000 | HOOK DRIVING PINION THRUST WASHER |
| 224024-000 | HOOK SADDLE CPL. NOS. 200364, 200446, 223850, 224019 AND 224020. |
| 225585-000 | HOOK SADDLE SCREW WASHER |
| 233765-000 | BOBBIN CASE CPL. NOS. 200594, 200984, 202056, 203214, 203216, 203473, 203474, 203648, 241674, 241675 AND TWO 350405 |
| 240167-000 | HOOK DRIVING PINION WITH 200382 AND 201220 |
| 240556-000 | HOOK (SEWING) |
| 240557-000 | HOOK CPL. NOS. 203525, 240556, 240559, TWO EACH 201253 AND 201409 |
| 240558-000 | HOOK AND BOBBIN CASE CPL. NOS. 233765 AND 240557 |
| 240559-000 | HOOK NEEDLE GUARD |
| 240560-000 | HOOK SADDLE CPL. NOS. 200118, 200364, 223623, 224004, 224005, 224022, 224024, 240167, 240558 AND 265088. |
| 241674-000 | BOBBIN CASE CILING FELT |
| 241675-000 | BOBBIN CASE CILING FELT RETAINER |
| 244750-000 | BOBBIN (3) |
| 265088-000 | BOBBIN CASE OPENER LEVER HINGE STUD WITH 202277 |
| 350405-803 | BOBBIN CASE CILING FELT RETAINER SCREW (2) |

| PART NO. | DESCRIPTION | PART NO. | DESCRIPTION |
|----------|-------------|----------|-------------|
|----------|-------------|----------|-------------|

| | | |
|----|--------------|---|
| 1 | 0-514227-000 | HOOK SADDLE CPL.NOS. 200061, 200089 , 200135, 200374, 200378, 200388, 244084, 244704, 267053, 267166, 267167, 267200, 267212, 267365, 350564, 500246, 514164, 514168, 514171, 514173, 514174, 514213 AND 514218 |
| 2 | 0-514164-000 | HOOK SADDLE (RIGHT) CPL. NOS. 200185, 267370, 267371, 512727, 514165, 514166 AND 514215 |
| 3 | 0-200185-850 | HOOK SADDLE OIL STOP SCREW |
| 4 | 0-267370-000 | BOBBIN CASE OPENER DRIVING CAM SHAFT BUSHING (LOWER) |
| 5 | 0-267371-000 | BOBBIN CASE OPENER DRIVING CAM SHAFT BUSHING (UPPER) |
| 6 | 0-512727-000 | HOOK SADDLE (RIGHT) OIL WICK |
| 7 | 0-514165-000 | HOOK SADDLE(RIGHT) FOAM CUSHION |
| 8 | 0-514166-000 | HOOK SHAFT BUSHING |
| 9 | 0-514215-000 | HOOK SADDLE OIL GAUGE SLEEVE WITH 267277 |
| 10 | 0-267277-000 | HOOK SADDLE OIL STRAINER |
| 11 | 0-350564-805 | HOOK SADDLE OIL REGULATING SCREW |
| 12 | 0-244084-000 | FEED DRIVING ROCK SHAFT BUSHING |
| 13 | 0-200378-850 | HOOK SADDLE OIL REGULATING SCREW CHECK SCREW |
| 14 | 0-500246-850 | HOOK SADDLE COVER PLATE SCREW (4) |
| 15 | 0-514171-000 | HOOK SADDLE COVER PLATE (RIGHT) |
| 16 | 0-200374-833 | BOBBIN CASE OPENER CRANK |
| 17 | 0-200388-850 | BOBBIN CASE OPENER CRANK HINGE STUD |
| 18 | 0-267212-000 | HOOK SADDLE OIL RESERVOIR GASKET |
| 19 | 0-267200-000 | HOOK SADDLE OIL RESERVOIR (RIGHT) |
| 20 | 0-200061-833 | HOOK SADDLE OIL RESERVOIR SCREW |
| 21 | 0-514174-000 | HOOK SHAFT CPL.NOS. 270880 AND 267061 |
| 22 | 0-270880-000 | HOOK SHAFT OIL WICK |
| 23 | 0-267061-000 | HOOK SHAFT OIL WICK HOLDER |
| 24 | 0-200089-850 | HOOK BALL BEARING SCREW (2) |
| 25 | 0-267053-000 | HOOK BALL BEARING |
| 26 | 0-514173-000 | HOOK BALL BEARING RETAINER (2) |
| 27 | 0-512077-000 | HOOK SADDLE OIL GAUGE PIN |
| 28 | 0-514168-000 | HOOK SADDLE OIL GAUGE WITH 271808 |
| 29 | 0-271808-000 | HOOK SADDLE OIL GAUGE SEAL |
| 30 | 0-200135-850 | BOBBIN CASE OPENER LINK CAP SCREW (2) |
| 31 | 0-267166-000 | BOBBIN CASE OPENR CRANK |
| 32 | 0-200135-850 | BOBBIN CASE OPENER LINK CAP SCREW (2) |
| 33 | 0-514213-000 | BOBBIN CASE OPENER LINK (RIGHT) |
| 34 | 0-267167-000 | BOBBIN CASE OPENER CRANK HINGE STUD (RIGHT) |
| 35 | 0-244704-000 | BOBBIN CASE OPENER CAM SHAFT |
| 36 | 0-267365-000 | BOBBIN CASE OPENER DRIVING CAM SHAFT GEAR (SIRAL) WITH TWO 350595 |
| 37 | 0-350595-869 | BOBBIN CASE OPENER DRIVING CAM SHAFT GEAR SET SCREW (2) |
| 38 | 0-514218-000 | HOOK DRIVING PINION (SPIRAL) WITH TWO 350595 |
| 39 | 0-350595-869 | BOBBIN CASE OPENER DRIVING CAM SHAFT GEAR SET SCREW (2) |
| 40 | 0-267140-000 | PINCH SLEEVE (UPPER) |
| 41 | 0-267139-000 | PINCH SLEEVE(LOWER) |
| 42 | 0-200001-000 | SCREW |
| 43 | 0-225585-000 | WASHER |
| 44 | 0-200006-000 | HOOK SADDLE SCREW |



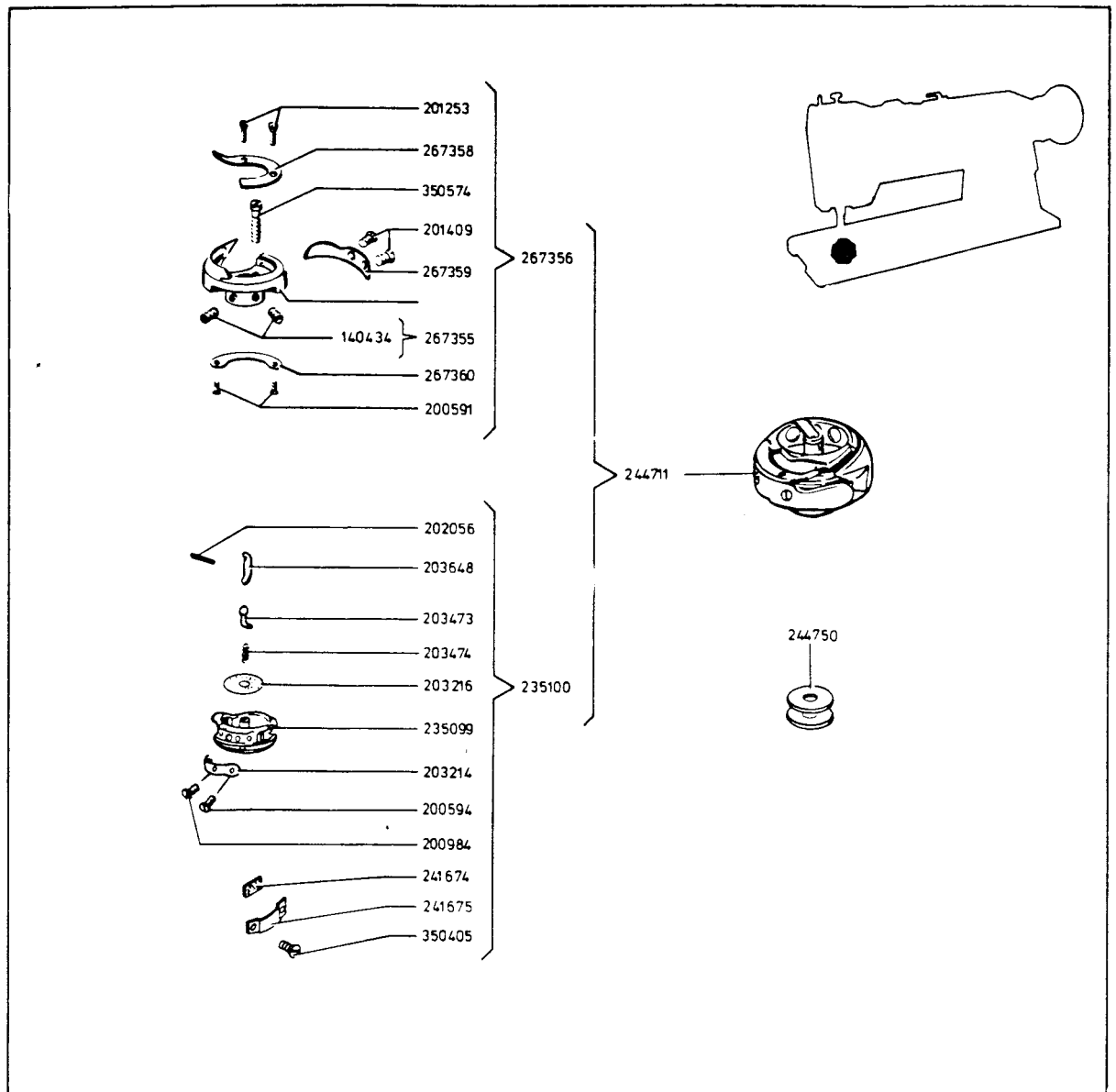
140434-869 HOOK SET SCREW (2)
 200591-850 THREAD GUARD SCREW (2)
 200594-805 BOBBIN CASE TENSION SPRING SCREW
 200984-830 BOBBIN CASE TENSION SPRING REGULATING SCREW
 201253-833 HOOK GIB SCREW (2)
 201409-850 HOOK NEEDLE GUARD SCREW (2)
 202056 BOBBIN CASE LATCH PIN
 203214 BOBBIN CASE TENSION SPRING
 203216 BOBBIN CASE WASHER (CLOTH)
 203473 BOBBIN CASE LATCH PLUNGER
 203474 BOBBIN CASE LATCH SPRING
 203648 BOBBIN CASE LATCH
 235099 BOBBIN CASE

235100 BOBBIN CASE CPL. NOS: 200594, 200984, 202056, 203214, 203216,
 203473, 203474, 203648, 235099, 241674, 241675 AND TWO 350405
 241674 BOBBIN CASE OILING FELT
 241675 BOBBIN CASE OILING FELT RETAINER
 244711 HOOK AND BOBBIN CASE CPL. NOS. 235100 AND 267356
 244711 BOBBIN
 244750 HOOK (SEWING) WITH TWO 140434
 267355 HOOK CPL. NOS. 267355, 267359, 267360, 350574,
 TWO 200591, TWO 201253 AND TWO 201409
 267359 HOOK NEEDLE GUARD
 267360 HOOK THREAD GUARD
 350405-850 BOBBIN CASE OILING FELT RETAINER SCREW (2)
 350574-806 HOOK HEIGHT ADJUSTING SCREW

PART NO. DESCRIPTION

PART NO. DESCRIPTION

| | | |
|----|--------------|--|
| 1 | 0-514227-000 | HOOK SADDLE CPL.NOS. 200061, 200089, 200135, 200374, 200378, 200388, 244084, 244704, 267053, 267166, 267167, 267200, 267212, 267365, 350564, 500246, 514164, 514168, 514171, 514173, 514174, 514213 AND 514218 |
| 2 | 0-514164-000 | HOOK SADDLE (RIGHT) CPL. NOS. 200185, 267370, 267371, 512727, 514165, 514166 AND 514215 |
| 3 | 0-200185-850 | HOOK SADDLE OIL STOP SCREW |
| 4 | 0-267370-000 | BOBBIN CASE OPENER DRIVING CAM SHAFT BUSHING (LOWER) |
| 5 | 0-267371-000 | BOBBIN CASE OPENER DRIVING CAM SHAFT BUSHING (UPPER) |
| 6 | 0-512727-000 | HOOK SADDLE (RIGHT) OIL WICK |
| 7 | 0-514165-000 | HOOK SADDLE(RIGHT) FOAM CUSHION |
| 8 | 0-514166-000 | HOOK SHAFT BUSHING |
| 9 | 0-514215-000 | HOOK SADDLE OIL GAUGE SLEEVE WITH 267277 |
| 10 | 0-267277-000 | HOOK SADDLE OIL STRAINER |
| 11 | 0-350564-805 | HOOK SADDLE OIL REGULATING SCREW |
| 12 | 0-244084-000 | FEED DRIVING ROCK SHAFT BUSHING |
| 13 | 0-200378-850 | HOOK SADDLE OIL REGULATING SCREW CHECK SCREW |
| 14 | 0-500246-850 | HOOK SADDLE COVER PLATE SCREW (4) |
| 15 | 0-514171-000 | HOOK SADDLE COVER PLATE (RIGHT) |
| 16 | 0-200374-833 | BOBBIN CASE OPENER CRANK |
| 17 | 0-200388-850 | BOBBIN CASE OPENER CRANK HINGE STUD |
| 18 | 0-267212-000 | HOOK SADDLE OIL RESERVOIR GASKET |
| 19 | 0-267200-000 | HOOK SADDLE OIL RESERVOIR (RIGHT) |
| 20 | 0-200061-833 | HOOK SADDLE OIL RESERVOIR SCREW |
| 21 | 0-514174-000 | HOOK SHAFT CPL.NOS. 270880 AND 267061 |
| 22 | 0-270880-000 | HOOK SHAFT OIL WICK |
| 23 | 0-267061-000 | HOOK SHAFT OIL WICK HOLDER |
| 24 | 0-200089-850 | HOOK BALL BEARING SCREW (2) |
| 25 | 0-267053-000 | HOOK BALL BEARING |
| 26 | 0-514173-000 | HOOK BALL BEARING RETAINER (2) |
| 27 | 0-512077-000 | HOOK SADDLE OIL GAUGE PIN |
| 28 | 0-514168-000 | HOOK SADDLE OIL GAUGE WITH 271808 |
| 29 | 0-271808-000 | HOOK SADDLE OIL GAUGE SEAL |
| 30 | 0-200135-850 | BOBBIN CASE OPENER LINK CAP SCREW (2) |
| 31 | 0-267166-000 | BOBBIN CASE OPENER CRANK |
| 32 | 0-200135-850 | BOBBIN CASE OPENER LINK CAP SCREW (2) |
| 33 | 0-514213-000 | BOBBIN CASE OPENER LINK (RIGHT) |
| 34 | 0-267167-000 | BOBBIN CASE OPENER CRANK HINGE STUD (RIGHT) |
| 35 | 0-244704-000 | BOBBIN CASE OPENER CAM SHAFT |
| 36 | 0-267365-000 | BOBBIN CASE OPENER DRIVING CAM SHAFT GEAR (SIRAL) WITH TWO 350595 |
| 37 | 0-350595-869 | BOBBIN CASE OPENER DRIVING CAM SHAFT GEAR SET SCREW (2) |
| 38 | 0-514218-000 | HOOK DRIVING PINION (SPIRAL) WITH TWO 350595 |
| 39 | 0-350595-869 | BOBBIN CASE OPENER DRIVING CAM SHAFT GEAR SET SCREW (2) |
| 40 | 0-267140-000 | PINCH SLEEVE (UPPER) |
| 41 | 0-267139-000 | PINCH SLEEVE (LOWER) |
| 42 | 0-200001-000 | SCREW |
| 43 | 0-225585-000 | WASHER |
| 44 | 0-200006-000 | HOOK SADDLE SCREW |



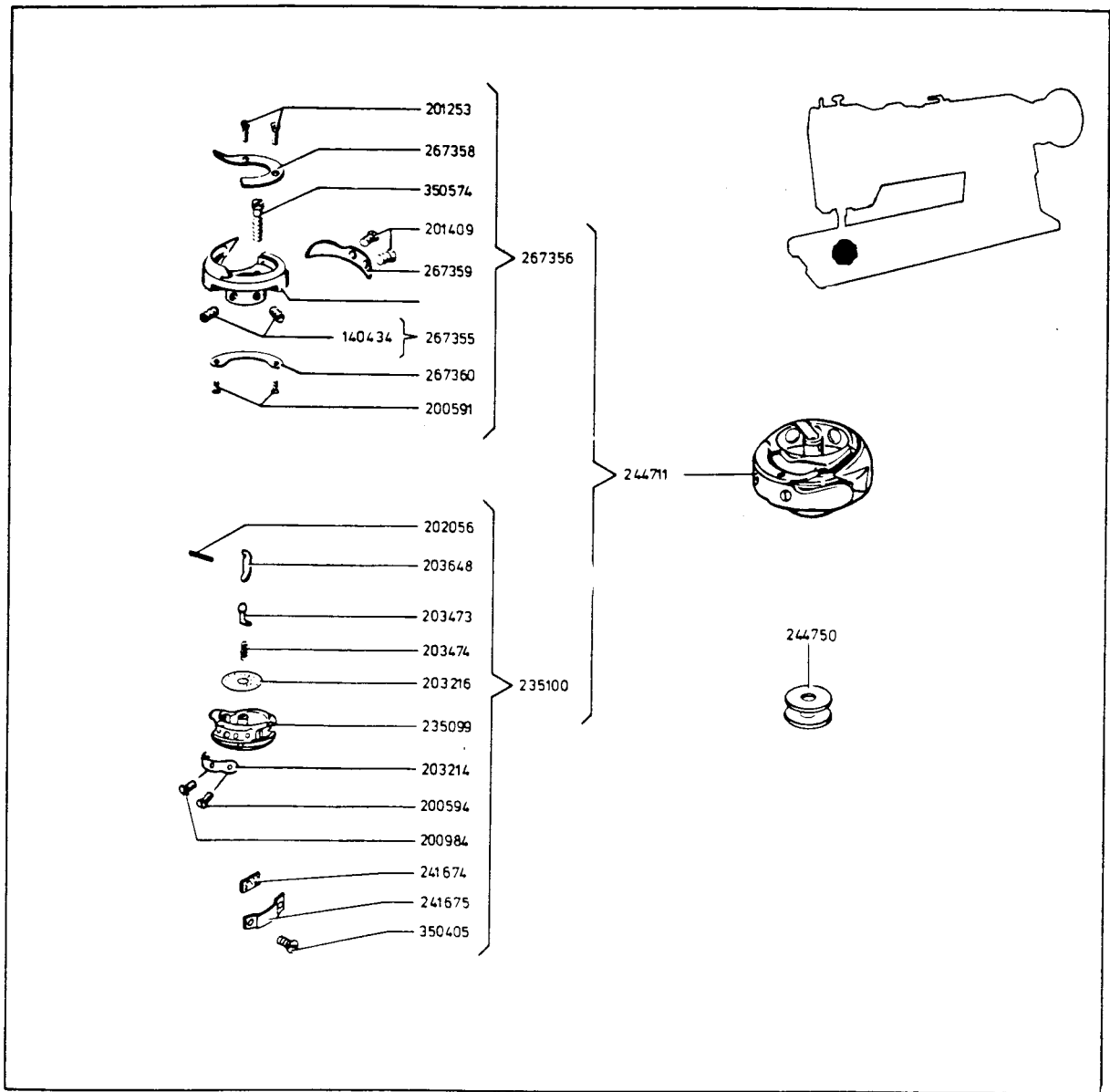
140434-869 HOOK SET SCREW (2)
 200591-850 THREAD GUARD SCREW (2)
 200594-805 BOBBIN CASE TENSION SPRING SCREW
 200984-830 BOBBIN CASE TENSION SPRING REGULATING SCREW
 201253-833 HOOK GIB SCREW (2)
 201409-850 HOOK NEEDLE GUARD SCREW (2)
 202056 BOBBIN CASE LATCH PIN
 203214 BOBBIN CASE TENSION SPRING
 203216 BOBBIN CASE WASHER (CLOTH)
 203473 BOBBIN CASE LATCH PLUNGER
 203474 BOBBIN CASE LATCH SPRING
 203648 BOBBIN CASE LATCH
 235099 BOBBIN CASE

235100 BOBBIN CASE CPL. NOS. 200594, 200984, 202056, 203214, 203216,
 203473, 203474, 203648, 235099, 241674, 241675 AND TWO 350405
 241674 BOBBIN CASE OILING FELT
 241675 BOBBIN CASE OILING FELT RETAINER
 244711 HOOK AND BOBBIN CASE CPL. NOS. 235100 AND 267356
 244750 BOBBIN
 267355 HOOK (SEWING) WITH TWO 140434
 267356 HOOK CPL. NOS. 267355, 267358, 267359, 267360, 350574,
 TWO 200591, TWO 201253 AND TWO 201409
 267359 HOOK NEEDLE GUARD
 267360 HOOK THREAD GUARD
 350405-850 BOBBIN CASE OILING FELT RETAINER SCREW (2)
 350574-806 HOOK HEIGHT ADJUSTING SCREW

PART NO. DESCRIPTION

PART NO. DESCRIPTION

| | | |
|----|--------------|---|
| 1 | 0-514227-000 | HOOK SADDLE CPL.NOS. 200061, 200089 , 200135, 200374, 200378, 200388, 244084, 244704, 267053, 267166, 267167, 267200, 267212, 267365, 350564, 500246, 514164, 514168, 514171, 514173, 514174, 514213 AND 514218 |
| 2 | 0-514164-000 | HOOK SADDLE (RIGHT) CPL. NOS. 200185, 267370, 267371, 512727, 514165, 514166 AND 514215 |
| 3 | 0-200185-850 | HOOK SADDLE OIL STOP SCREW |
| 4 | 0-267370-000 | BOBBIN CASE OPENER DRIVING CAM SHAFT BUSHING (LOWER) |
| 5 | 0-267371-000 | BOBBIN CASE OPENER DRIVING CAM SHAFT BUSHING (UPPER) |
| 6 | 0-512727-000 | HOOK SADDLE (RIGHT) OIL WICK |
| 7 | 0-514165-000 | HOOK SADDLE(RIGHT) FOAM CUSHION |
| 8 | 0-514166-000 | HOOK SHAFT BUSHING |
| 9 | 0-514215-000 | HOOK SADDLE OIL GAUGE SLEEVE WITH 267277 |
| 10 | 0-267277-000 | HOOK SADDLE OIL STRAINER |
| 11 | 0-350564-805 | HOOK SADDLE OIL REGULATING SCREW |
| 12 | 0-244084-000 | FEED DRIVING ROCK SHAFT BUSHING |
| 13 | 0-200378-850 | HOOK SADDLE OIL REGULATING SCREW CHECK SCREW |
| 14 | 0-500246-850 | HOOK SADDLE COVER PLATE SCREW (4) |
| 15 | 0-514171-000 | HOOK SADDLE COVER PLATE (RIGHT) |
| 16 | 0-200374-833 | BOBBIN CASE OPENER CRANK |
| 17 | 0-200388-850 | BOBBIN CASE OPENER CRANK HINGE STUD |
| 18 | 0-267212-000 | HOOK SADDLE OIL RESERVOIR GASKET |
| 19 | 0-267200-000 | HOOK SADDLE OIL RESERVOIR (RIGHT) |
| 20 | 0-200061-833 | HOOK SADDLE OIL RESERVOIR SCREW |
| 21 | 0-514174-000 | HOOK SHAFT CPL.NOS. 270880 AND 267061 |
| 22 | 0-270880-000 | HOOK SHAFT OIL WICK |
| 23 | 0-267061-000 | HOOK SHAFT OIL WICK HOLDER |
| 24 | 0-200089-850 | HOOK BALL BEARING SCREW (2) |
| 25 | 0-267053-000 | HOOK BALL BEARING |
| 26 | 0-514173-000 | HOOK BALL BEARING RETAINER (2) |
| 27 | 0-512077-000 | HOOK SADDLE OIL GAUGE PIN |
| 28 | 0-514168-000 | HOOK SADDLE OIL GAUGE WITH 271808 |
| 29 | 0-271808-000 | HOOK SADDLE OIL GAUGE SEAL |
| 30 | 0-200135-850 | BOBBIN CASE OPENER LINK CAP SCREW (2) |
| 31 | 0-267166-000 | BOBBIN CASE OPENR CRANK |
| 32 | 0-200135-850 | BOBBIN CASE OPENER LINK CAP SCREW (2) |
| 33 | 0-514213-000 | BOBBIN CASE OPENER LINK (RIGHT) |
| 34 | 0-267167-000 | BOBBIN CASE OPENER CRANK HINGE STUD (RIGHT) |
| 35 | 0-244704-000 | BOBBIN CASE OPENER CAM SHAFT |
| 36 | 0-267365-000 | BOBBIN CASE OPENER DRIVING CAM SHAFT GEAR (SIRAL) WITH TWO 350595 |
| 37 | 0-350595-869 | BOBBIN CASE OPENER DRIVING CAM SHAFT GEAR SET SCREW (2) |
| 38 | 0-514218-000 | HOOK DRIVING PINION (SPIRAL) WITH TWO 350595 |
| 39 | 0-350595-869 | BOBBIN CASE OPENER DRIVING CAM SHAFT GEAR SET SCREW (2) |
| 40 | 0-267140-000 | PINCH SLEEVE (UPPER) |
| 41 | 0-267139-000 | PINCH SLEEVE(LOWER) |
| 42 | 0-200001-000 | SCREW |
| 43 | 0-225585-000 | WASHER |
| 44 | 0-200006-000 | HOOK SADDLE SCREW |

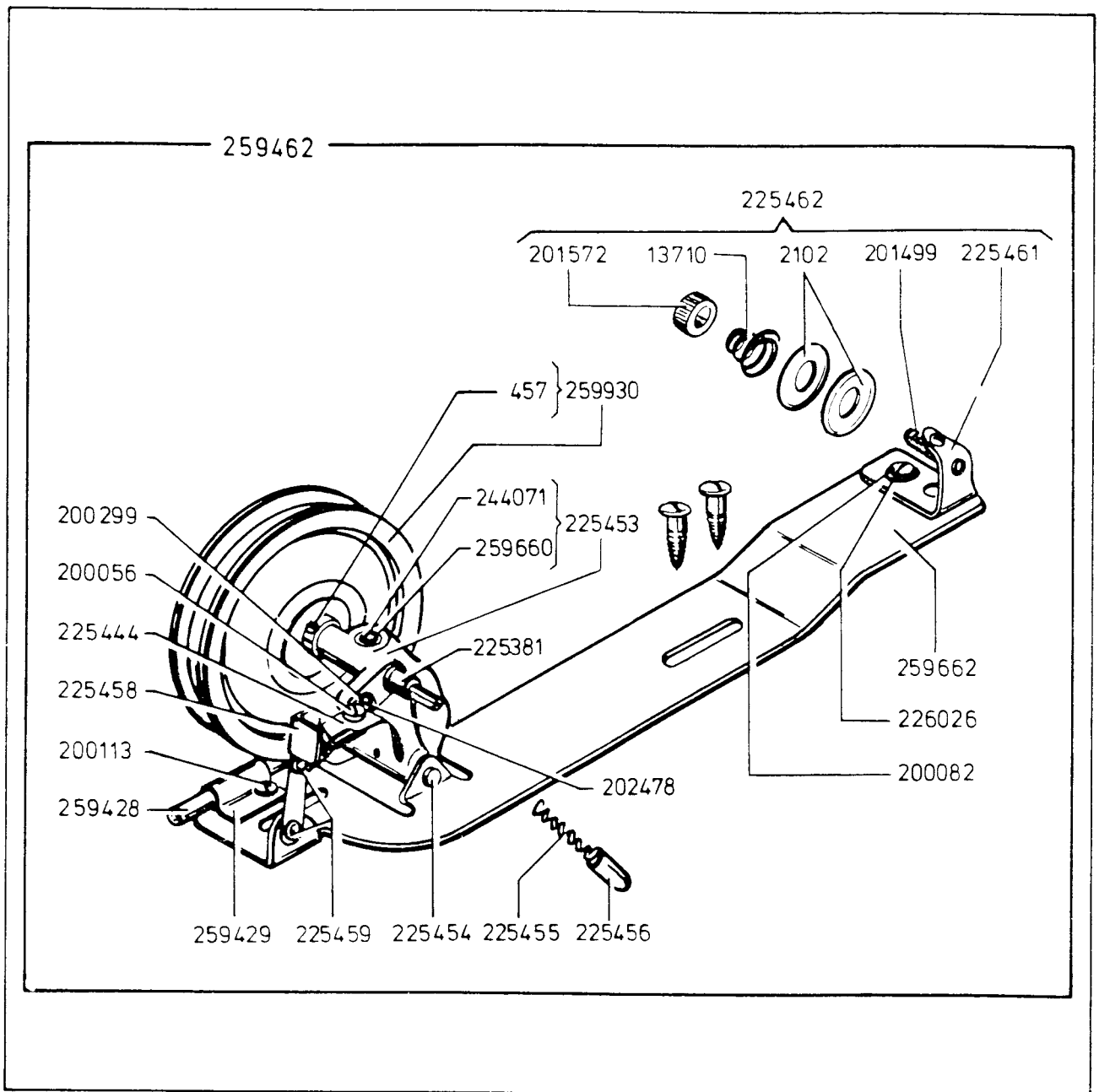


| | |
|------------|---|
| 140434-869 | HOOK SET SCREW (2) |
| 200591-850 | THREAD GUARD SCREW (2) |
| 200594-805 | BOBBIN CASE TENSION SPRING SCREW |
| 200984-830 | BOBBIN CASE TENSION SPRING REGULATING SCREW |
| 201253-833 | HOOK GIB SCREW (2) |
| 201409-850 | HOOK NEEDLE GUARD SCREW (2) |
| 202056 | BOBBIN CASE LATCH PIN |
| 203214 | BOBBIN CASE TENSION SPRING |
| 203216 | BOBBIN CASE WASHER (CLOTH) |
| 203473 | BOBBIN CASE LATCH PLUNGER |
| 203474 | BOBBIN CASE LATCH SPRING |
| 203648 | BOBBIN CASE LATCH |
| 235099 | BOBBIN CASE |

| | |
|------------|---|
| 235100 | BOBBIN CASE CPL. NOS. 200594, 200984, 202056, 203214, 203216, 203473, 203474, 203648, 235099, 241674, 241675 AND TWO 350405 |
| 241674 | BOBBIN CASE OILING FELT |
| 241675 | BOBBIN CASE OILING FELT RETAINER |
| 244711 | HOOK AND BOBBIN CASE CPL. NOS. 235100 AND 267356 |
| 244750 | BOBBIN |
| 267355 | HOOK (SEWING) WITH TWO 140434 |
| 267356 | HOOK CPL. NOS. 267355, 267358, 267359, 267360, 350574, TWO 200591, TWO 201253 AND TWO 201409 |
| 267359 | HOOK NEEDLE GUARD |
| 267360 | HOOK THREAD GUARD |
| 350405-850 | BOBBIN CASE OILING FELT RETAINER SCREW (2) |
| 350574-806 | HOOK HEIGHT ADJUSTING SCREW |

PART NO. DESCRIPTION

PART NO. DESCRIPTION

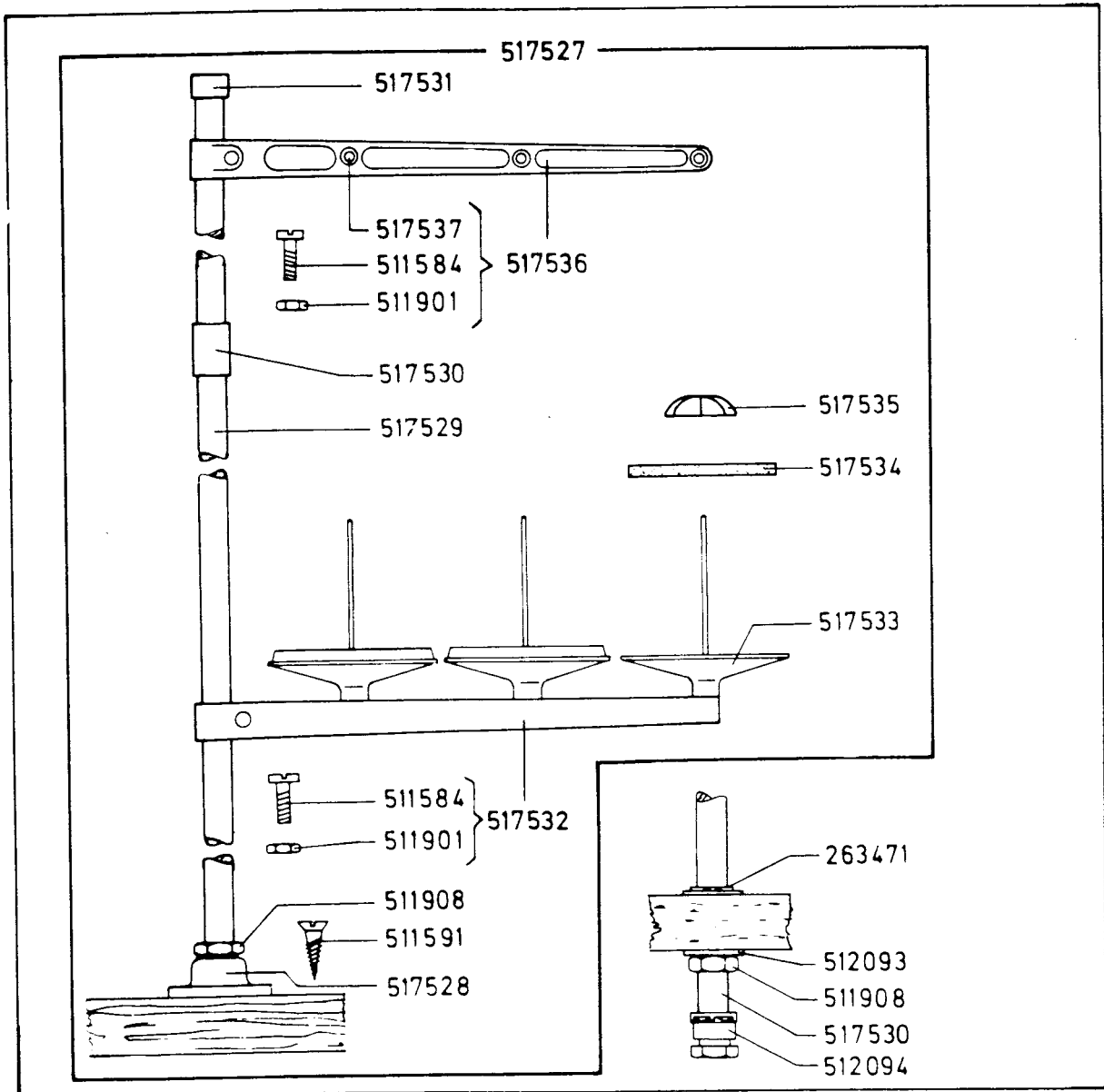


211 G 165 - 1500(0870)

| | | | |
|------------|---|--------|---|
| 457-833 | BOBBIN WINDER PULLEY SET SCREW | 225461 | BOBBIN WINDER TENSION BRACKET WITH 201499 |
| 2102 | BOBBIN WINDER TENSION DISK (2) | 225462 | BOBBIN WINDER TENSION BRACKET CPL. |
| 13710 | BOBBIN WINDER TENSION SPRING | | NOS. 13710, 201572, 225461 AND TWO 2102 |
| 200056-850 | BOBBIN WINDER STOP LATCH SCREW | 228026 | BOBBIN WINDER TENSION BRACKET SCREW WASHER |
| 200082-850 | BOBBIN WINDER TENSION BRACKET SCREW | 244071 | BOBBIN WINDER FRAME OIL PACKING (WICK) |
| 200113-850 | BOBBIN WINDER BRAKE CLAMP SCREW | 259428 | BOBBIN WINDER BRAKE (LEATHER) |
| 200299-850 | BOBBIN WINDER STOP LATCH TRIP LEVER HINGE SCREW | 259429 | BOBBIN WINDER BRAKE CLAMP |
| 201499 | BOBBIN WINDER TENSION STUD | 259462 | UNIVERSAL BOBBIN WINDER CPL. NOS. 200056, 200082, 200113, |
| 201572-850 | BOBBIN WINDER TENSION STUD THUMB NUT | | 200299, 202478, 225381, 225444, 225453 TO 225456, 225458, 225462, |
| 202478 | BOBBIN WINDER STOP LATCH TRIP LEVER | | 228026, 259428, 259429, 259662, 259930 TWO EACH 225459 AND |
| 225381 | BOBBIN WINDER SPINDLE | | WOOD SCREW. |
| 225444 | BOBBIN WINDER STOP LATCH | 259660 | BOBBIN WINDER FRAME OIL WELL WASHER |
| 225453 | BOBBIN WINDER FRAME WITH 244071 AND 259660 | 259662 | BOBBIN WINDER AND TENSION BRACKET BASE |
| 225454 | BOBBIN WINDER FRAME HINGE PIN | 259930 | BOBBIN WINDER PULLEY WITH 457 |
| 225455 | BOBBIN WINDER FRAME SPRING | ----- | BOBBIN WINDER WOOD SCREW (3/4 IN. NO. 12 RHD) (2) |
| 225456 | BOBBIN WINDER FRAME SPRING PLUNGER | | |
| 225458 | BOBBIN WINDER STOP LATCH THUMB LEVER | | |
| 225459 | BOBBIN WINDER STOP LATCH THUMB LEVER HINGE STUD (2) | | |

PART NO. DESCRIPTION

PART NO. DESCRIPTION



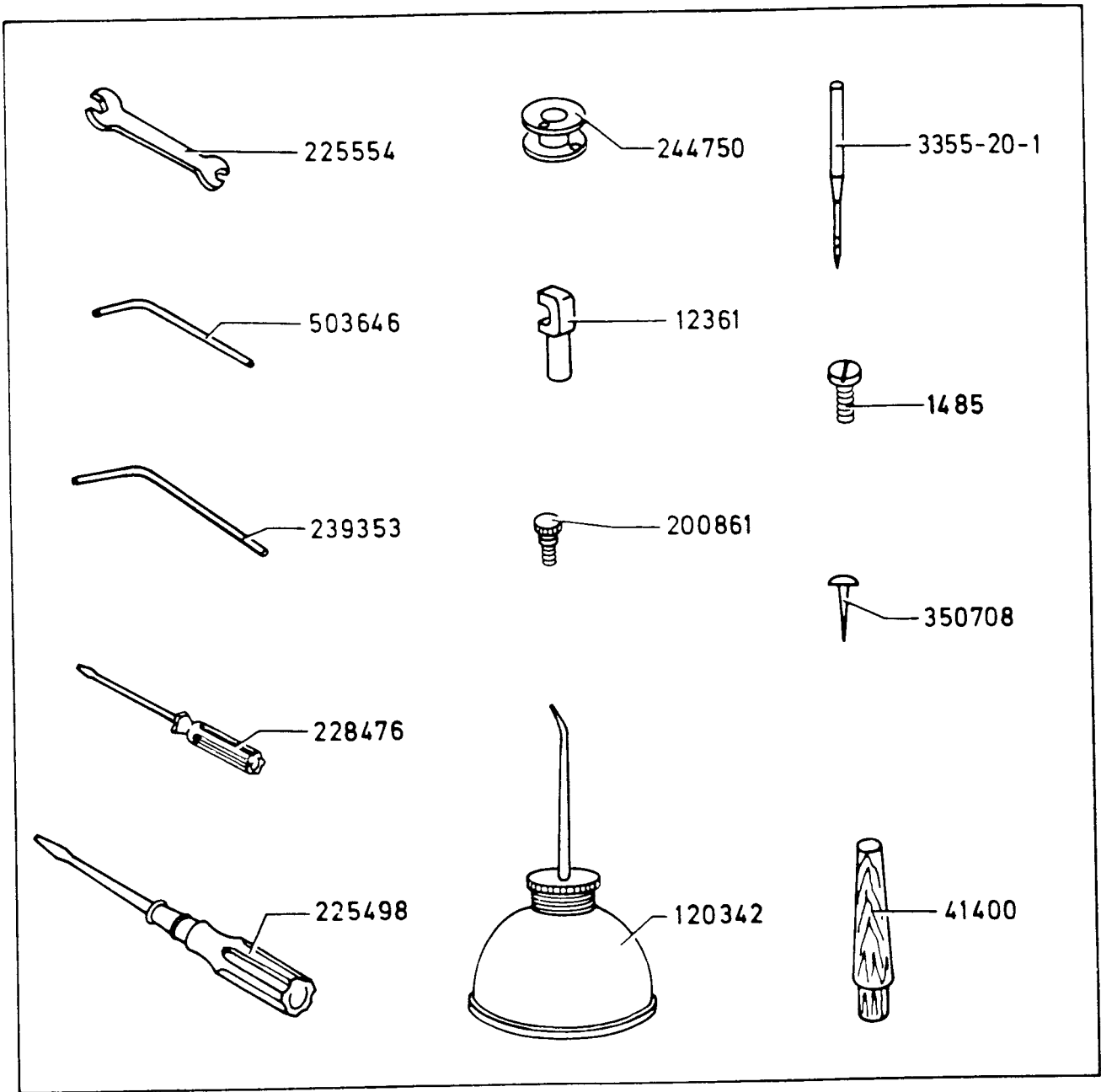
211 G 165 - 1600 (0870)

| | |
|------------|---|
| 263471 | THREAD UNWINDER ROD RETAINING RING |
| 511584-850 | THREAD UNWINDER SPOOL CARRIER ARM SCREW |
| 511584-850 | THREAD UNWINDER THREAD GUIDE SCREW |
| 511591-819 | THREAD UNWINDER WOOD SCREW (3) |
| 511901-830 | THREAD UNWINDER SPOOL CARRIER ARM NUT |
| 511901-830 | THREAD UNWINDER THREAD GUIDE NUT |
| 511908-850 | THREAD UNWINDER ROD NUT |
| 512093 | THREAD UNWINDER ROD WASHER |
| 512094 | THREAD UNWINDER SCREWED GLAND |
| 517527 | THREAD UNWINDER CPL. NOS. 263471, 511908, 512094, 517528, 517530, 517530, 517531, 517532, 517536, TWO EACH 512093, 517529 AND THREE EACH 511591, 517533, 517534 AND 517535. |

| | |
|--------|---|
| 517528 | THREAD UNWINDER FOOT |
| 517529 | THREAD UNWINDER ROD |
| 517530 | THREAD UNWINDER ROD CONNECTION |
| 517530 | THREAD UNWINDER PLAIN COUPLER |
| 517531 | THREAD UNWINDER ROD CAP |
| 517532 | THREAD UNWINDER SPOOL CARRIER ARM WITH 511584 AND 511901. |
| 517533 | THREAD UNWINDER SPOOL CARRIER PLATE |
| 517534 | THREAD UNWINDER SPOOL CUSHION |
| 517535 | THREAD UNWINDER SPOOL HOLDER |
| 517536 | THREAD UNWINDER THREAD GUIDE WITH 511584, 511901 AND THREE 517537 |
| 517537 | THREAD UNWINDER THREAD GUIDE BUSHING |

PART NO. DESCRIPTION

PART NO. DESCRIPTION



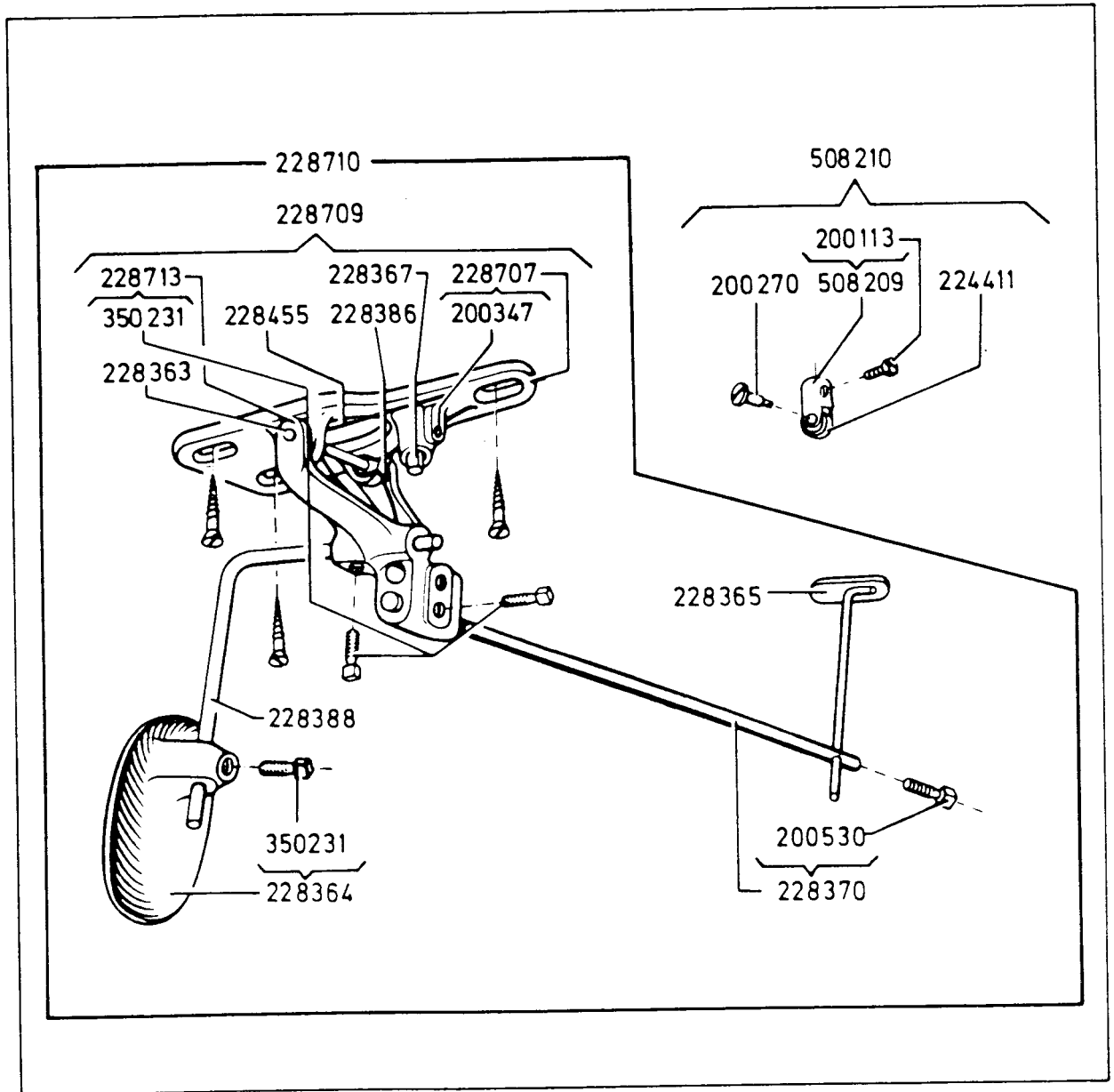
211 G165 - 1700 (0570)

1485-850 ATTACHMENT SCREW
 12361 MACHINE HINGE CONNECTION (2)
 41400 MACHINE REST PIN (WOOD)
 120342 OILER (COPPER PLATED)
 200861-819 BED SLIDE THUMB SCREW
 225498 SCREW DRIVER

22554 WRENCH
 228476 SCREW DRIVER
 239353 WRENCH (5/32 IN., HEX.)
 244750 BOBBIN (2)
 350708-805 DRIP PAN SCREW NAIL (7)
 503646 WRENCH (3/32 IN., HEX.)

PART NO. DESCRIPTION

PART NO. DESCRIPTION



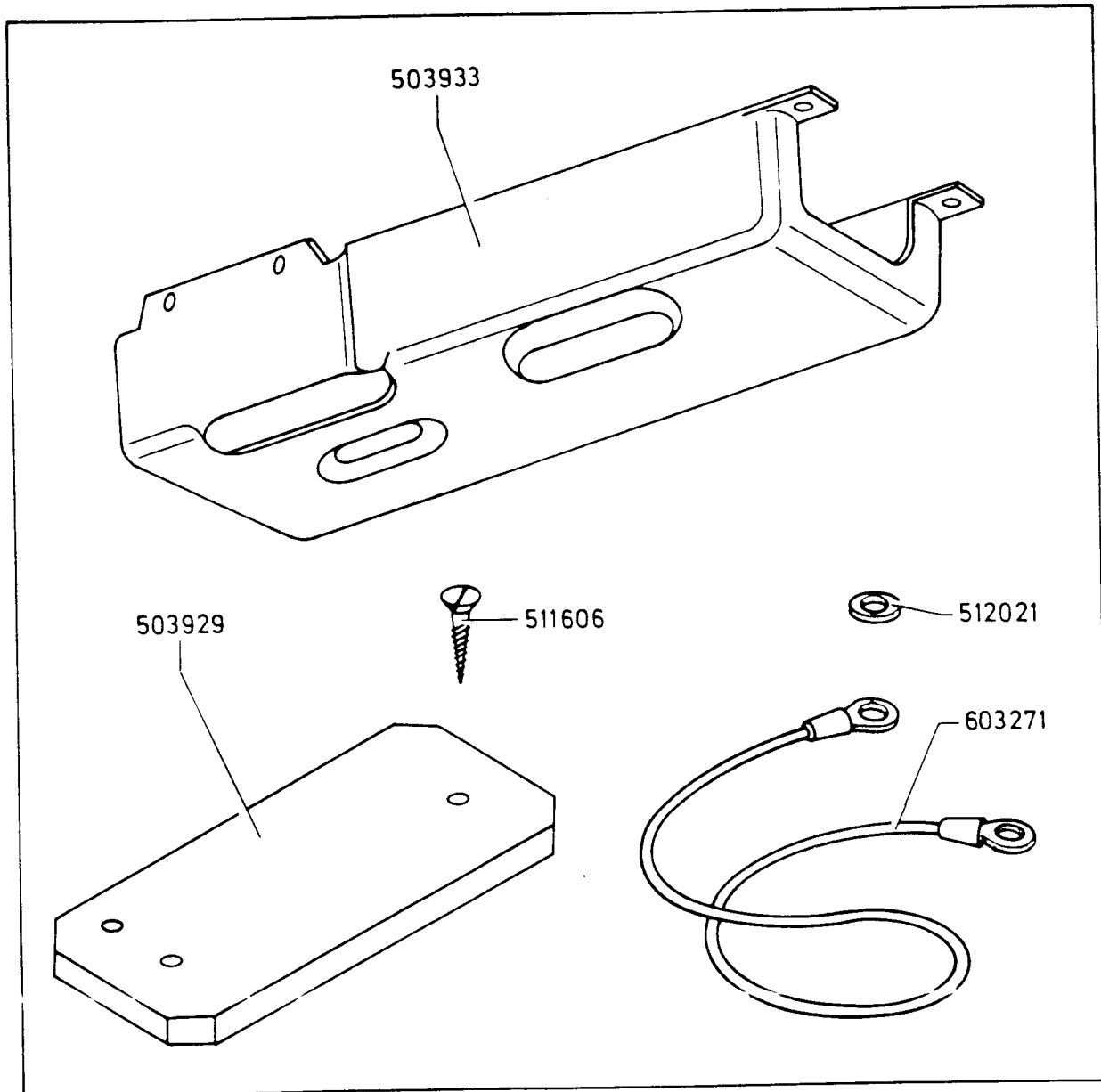
211 G165-1300-(10870)

| | |
|------------|---|
| 200113-850 | NEEDLE OPERATING ROD ROLLER PINCH SCREW |
| 200270-850 | NEEDLE OPERATING ROD ROLLER HINGE SCREW |
| 200347-850 | KNEE LIFTER ROCK LEVER STOP STUD SET SCREW |
| 200530-850 | KNEE LIFTER ROCK LEVER ROD SET SCREW |
| 224411 | NEEDLE OPERATING ROD ROLLER |
| 228363 | KNEE LIFTER ROCK LEVER HINGE PIN |
| 228364 | KNEE LIFTER ROCK LEVER KNEE PLATE WITH 350231 |
| 228365 | KNEE LIFTER ROCK LEVER ROD |
| 228367 | KNEE LIFTER ROCK LEVER STOP STUD |
| 228370 | KNEE LIFTER ROCK LEVER EXTENSION WITH 200530 |
| 228386 | KNEE LIFTER ROCK LEVER SPRING |
| 228388 | KNEE LIFTER ROCK LEVER KNEE PLATE ARM |
| 228455 | KNEE LIFTER ROCK LEVER POSITION SPRING |
| 228707 | KNEE LIFTER ROCK LEVER BRACKET WITH 200347 AND THREE WOOD SCREWS 7/8 INCH, NO. 12 |

| | |
|------------|--|
| 228709 | KNEE LIFTER ROCK LEVER BRACKET CPL. NOS. 228363, 228367, 228386, 228455, 228707 AND 228713 |
| 228710 | KNEE LIFTER ROCK LEVER CPL. NOS. 228364, 228365, 228370, 228388 AND 228709 |
| 228713 | KNEE LIFTER ROCK LEVER WITH TWO 350231 |
| 350231-850 | KNEE LIFTER ROCK LEVER EXTENSION SET SCREW |
| 508209 | AND KNEE LIFTER ROCK LEVER KNEE PLATE ARM SET SCREW ? |
| 508210 | KNEE LIFTER ROCK LEVER KNEE PLATE SET SCREW |
| ----- | NEEDLE OPERATING ROD ROLLER WITH 200113 |
| | NEEDLE OPERATING ROD ROLLER CPL. NOS. 200270, 224411 AND 508209 |
| | WOOD SCREW 7/8 INCH, NO. 12/31 |

PART NO. DESCRIPTION

PART NO. DESCRIPTION



211 G 165 - 1400 - (0870)

503929 KNEE LIFTER BASE
 503933 DRIP PAN
 511606-805 KNEE LIFTER BASE WOOD SCREW (3)
 512021 MACHINE GROUNDING WIRE LOCK WASHER
 603271 MACHINE GROUNDING WIRE

| PART NO. | DESCRIPTION | PART NO. | DESCRIPTION |
|----------|-------------|----------|-------------|
|----------|-------------|----------|-------------|