

SINGER
460K43,K45,K73,K75

**Parts Chart
for
SINGER
460k43
460k45
460k73
and
460k75
Machines**

Form K6781
(1172)

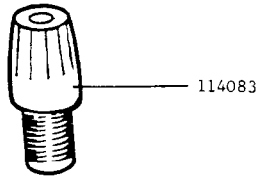
*Trademark of the Singer Company.
Copyright (C) 1969 by the Singer Company.
All rights reserved throughout the World.

Printed in
Great Britain.

NUMERICAL LIST OF PARTS FOR SECTION 7.

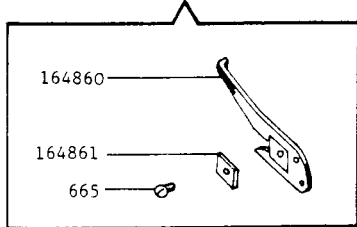
Part No.	Description	Part No.	Description
187(805)	Thread (looper, right hand) Take-up Screw	107938	Thread (looper) Plate complete, nos. 1423(809), 1443(809), 1607(809), 50318(818), 101836, 107791, 164163, 164165, 101896, 164173, 164449, two each 332(809) and 164171 for 460K73
190(805)	Thread (looper) Take-up Screw (lower)	107939	Thread (looper) Plate Cover 164168 with 164169 and 164170 for 460K73
332(809)	Thread (looper) Plate Cover Spring Screw	108812	Thread (looper) Take-up
624(830)	Machine Frame Oil Tube Set Screw	109795(803)	Looper (right hand) Carrier Connecting Link Adjusting Screw (front)
624(830)	Thread (looper, right hand) Tube Set Screw	109796(803)	Looper (right hand) Carrier Connecting Link Adjusting Sleeve Cap Screw (back)
1209(830)	Looper (right hand) Driving Lever Clamping Screw	109925(830)	Looper (right hand) Driving Shaft Crank Connection Cap (lower) Screw
1239(806)	Thread (looper) Plate Screw	109927(869)	Looper (right hand) Carrier Hinge Pin Set Screw
1324(803)	Looper (right hand) Driving Shaft Crank Key Screw	109927(869)	Looper (right hand) Carrier Connecting Link Hinge Pin Set Screw
1423(809)	Thread (looper, right hand) Thread Eyelet Screw	109976(830)	Looper (right hand) Carrier Connecting Link Adjusting Screw (front) Stop Screw
1443(809)	Thread (looper, right hand) Take-up Eyelet (adjustable) Screw	114036	Looper (right hand) Four-Bar Linkage Mechanism Stabiliser Securing Screw
1607(809)	Thread (looper, right hand) Thread Eyelet (stationary) Nut	114256-451	Looper (right hand) Driving Lever Clamping Screw
1628(809)	Looper (right hand) Carrier Connecting Link Adjusting Screw (front) Stop Screw Nut	114256-451	Looper (right hand) Driving Shaft Crank Clamping Screw
1700(809)	Looper (right hand) Locking Screw Stud Nut	114258-451	Looper (right hand) Driving Shaft Crank Connection Cap (upper) Screw
17022	Thread (looper, right hand) Take-up Screw Washer	114263-451	Looper (right hand) Driving Shaft Crank Connection Cap (lower) Screw
45057	Looper (right hand) Driving Shaft Crank Key Screw Washer	140394(805)	Looper (right hand) Driving Shaft Bushing (back) Cap Screw
50318(818)	Thread (looper) Plate Thread Bushing Screw	141292(830)	Looper (right hand) Four-Bar Linkage Mechanism Stabiliser Support Bracket Hub Screw
87027	Looper (right hand) for 460K43 and 460K73	164049	Looper (right hand) Driving Shaft Bushing (back)
87028	Looper (right hand) for 460K45 and 460K75	164053	Looper (right hand) Driving Shaft Crank Thrust Washer
93553	Looper (right hand) Driving Shaft Crank Connection with 114256-451 164093, two each 114258-451 and 114263-451	164063	Looper (right hand) Driving Shaft
95785	Looper (right hand) Driving Shaft Bushing (front)	164067	Looper (right hand) Driving Shaft Crank Key
98930	Machine Frame Rotary Shaft Ball Sleeve Guide	164068	Looper (right hand) Locking Screw Stud
101788	Looper (right hand) Four-Bar Linkage Mechanism with Driving Lever complete, Nos. 1700(809), 101789 and 164068	164091	Thread (looper, right hand) Take-up with 164555
101789	Looper (right hand) Four-Bar Linkage complete	164093	Machine Frame Rotary Shaft Ball Sleeve (two pieces)
101791	Looper (right hand) Four-Bar Linkage Mechanism Stabiliser Support Bracket with 141292(830)	164163	Thread (looper, right hand) Take-up Eyelet (adjustable)
101802	Oil Agitator	164165	Thread (looper, right hand) Thread Eyelet (stationary)
101836	Thread (looper) Plate	164168	Thread (looper) Plate Cover
101837	Thread (looper) Plate complete, nos. 1423(809), 1443(80), 1607(809), 50318(818), 101836, 164163, 164165, 101896, 164173, 164206, 164449, two each 332(809) and 164171 for 460K43 and 460K45	164169	Thread (looper) Plate Cover Hinge
101881	Looper (right hand) Driving Shaft Crank Connection 93553 with 101802	164170	Thread (looper) Plate Cover Hinge Pin
101896	Thread (looper, right hand) Tube	164171	Thread (looper) Plate Cover Spring
101970	Looper (right hand) Position Collar	164173	Thread (looper) Plate Thread Bushing
106401	Machine Frame Oil Sight Gauge Seal for 460K73 and 460K75	164206	Thread (looper) Plate Cover 164168 with 164169 and 164170 for 460K43 and 460K45
107511	Machine Frame Oil Sight Gauge for 460K73 and 460K75	164293	Looper (right hand) Driving Shaft Bushing (back) Cap Screw Washer (fibre)
107791	Thread (looper) Plate Cover 164168 with 164169 and 164170 for 460K75	164449	Thread (looper, right hand) Thread Eyelet (movable)
107882	Thread (looper) Plate, complete nos. 1423(809), 1443(809), 1607(809), 50318(818), 101836, 107791, 164163, 164165, 101896, 164173, 164449, two each 332(809) and 164171 for 460K75	164555	Thread (looper, right hand) Take-up Guide Wire
		164739	Looper (right hand) Driving Shaft Oil Ring (rubber)
		164740	Looper (right hand) Driving Shaft Oil Ring (rubber)
		165153	Machine Frame Oil Tube
		165154	Machine Frame Oil Tube Wick
		165185	Machine Frame Oil Tube Nos. 165153 and 165154
		165522	Machine Frame Oil Sight Gauge (lucite) for 460K43 and 460K45

SINGER 460k43 460k45 460k73 and 460k75

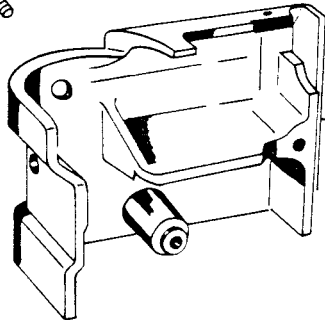
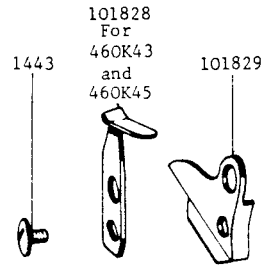
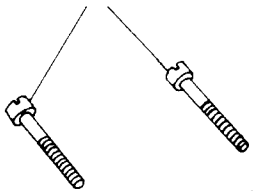


NOTE: IF A HEAVIER SPRING IS REQUIRED
SPRING NO. 164814 WITH CAP NO.
164815 SHOULD BE ORDERED OR SPRING
NO. 164144 ONLY.

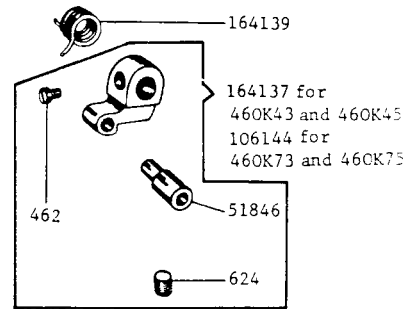
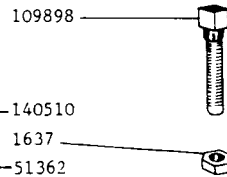
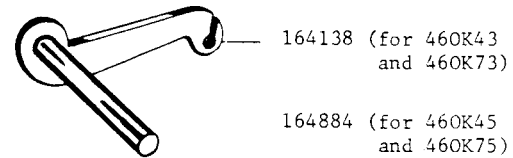
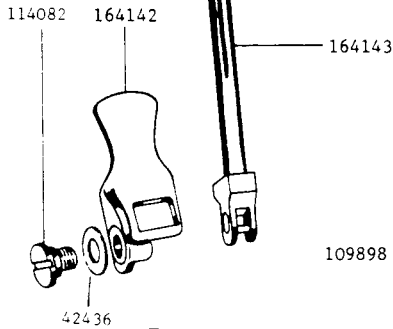
164862
Only supplied if specified
on order and at an extra charge



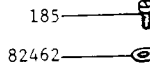
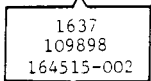
114246
(2) for 460K43 & 460K45
(3) for 460K73 & 460K75



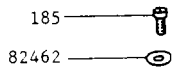
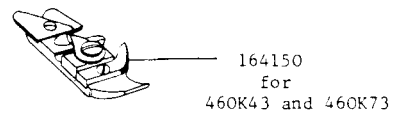
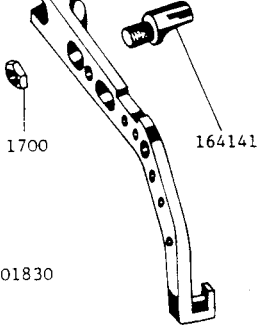
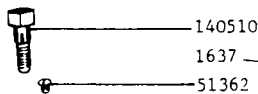
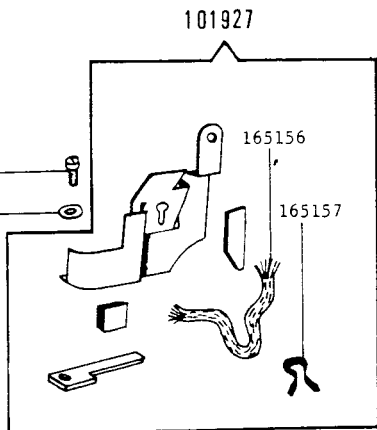
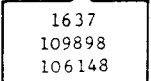
164515-002
For 460K43
and 460K45
106148
For 460K73
and 460K75



164516-002
for 460K43 and 460K45



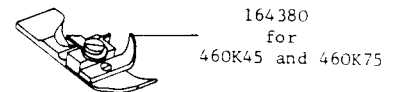
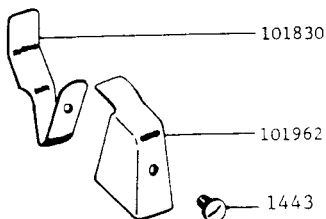
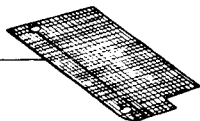
106258
for 460K73 and 460K75



82305
for 460K43
and 460K45

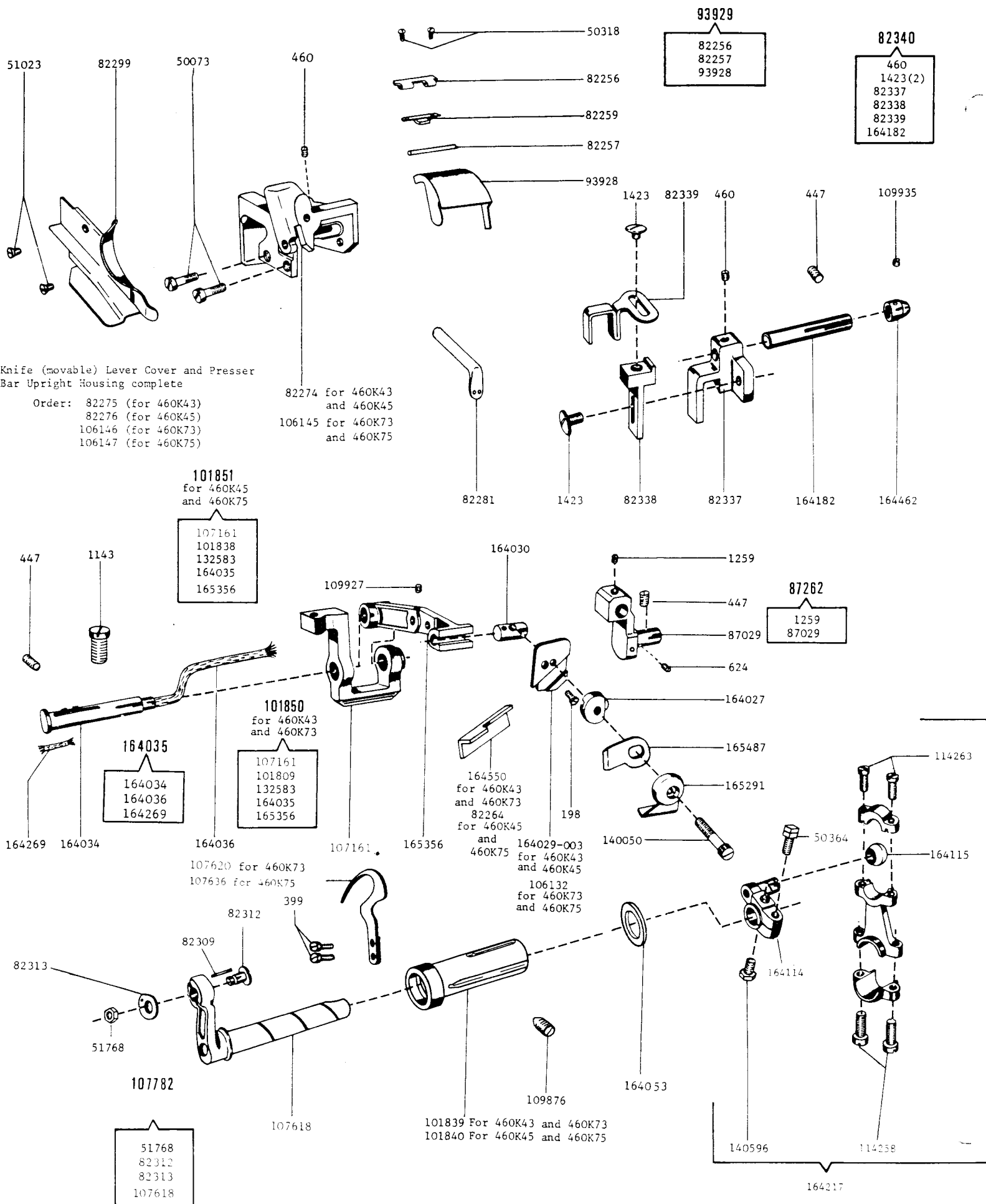


101928



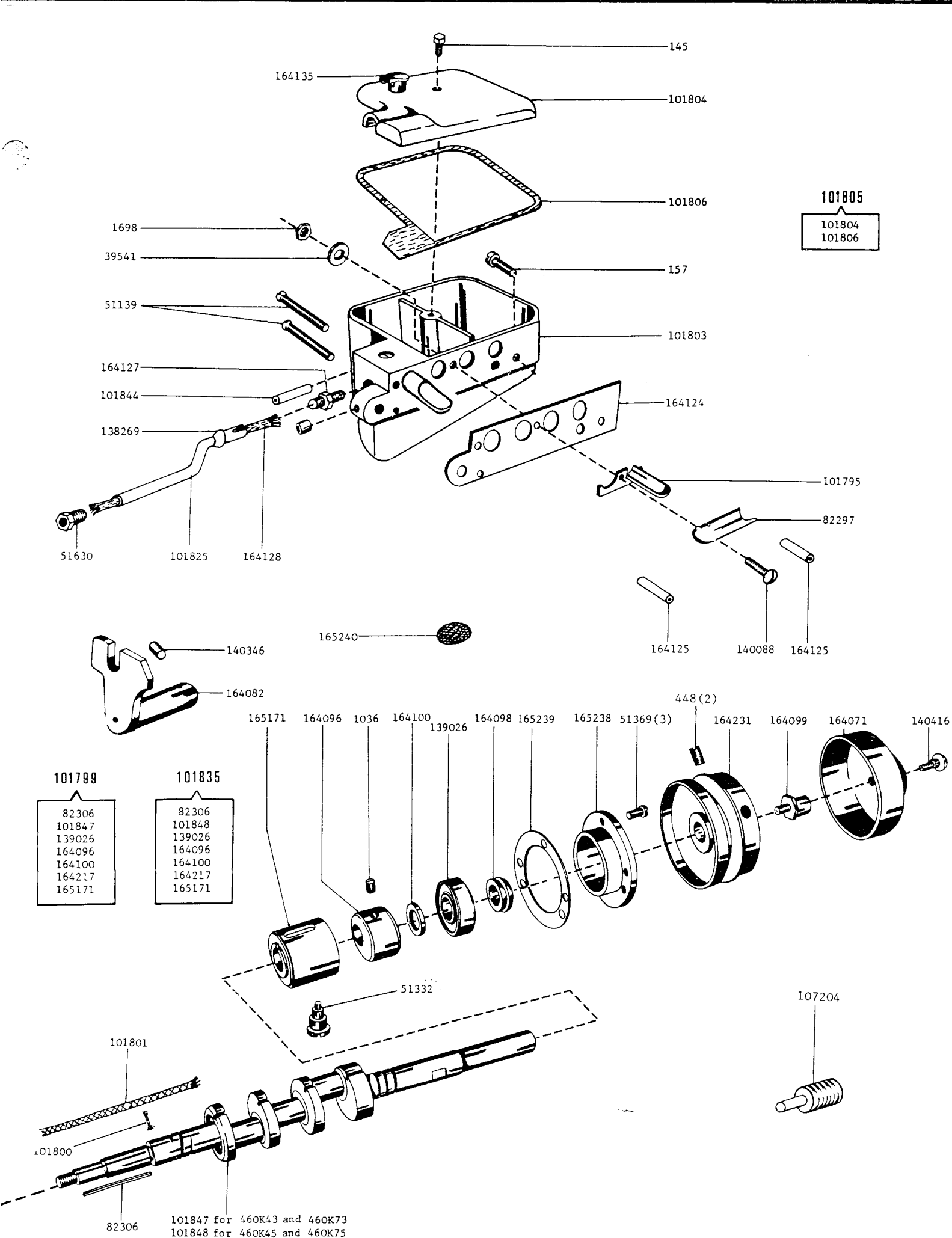
NUMERICAL LIST OF PARTS FOR SECTION 6.

Part No.	Description	Part No.	Description
		140393(830)	Looper (left hand) Carrier Holder Set Screw (right)
447(830)	Machine Frame Oil Tube (bent) Set Screw	140394(805)	Looper (left hand) Driving Shaft Bushing (back) Cap Screw
691(803)	Machine Frame Wearing Plate Screw	140596(830)	Looper (left hand) Carrier Holder Set Screw (left)
1036(830)	Machine Frame Rotary Shaft Bushing (front) Set Screw	141292(869)	Looper (left hand) Carrier Screw Set Screw
	Crank Clamping Screw	164003	Feed Bar Hinge Pin (eccentric)
1094(803)	Machine Frame Wearing Plate Spacer Screw	164004	Feed Bar Slide Block (back)
1100(830)	Feed (back) Dog Section (right) Screw	164006	Feed (front) Bar with 164010
1324(803)	Looper (left hand) Carrier Screw	164007	Feed (back) Bar Connection
1324(803)	Looper (left hand) Driving Shaft Crank Key Screw	164008	Feed (back) Bar Connection Bearing
1389(830)	Feed Bar Hinge Pin Set Screw	164009	Feed (back) Bar Connection Hinge Screw Stud
1454(806)	Feed (back) Dog Screw	164009	Feed (front) Bar Connection Hinge Screw Stud
1454(806)	Feed (front) Dog Screw	164010	Feed (back) Bar Connection Hinge Screw Stud Position Pin
1628(803)	Feed Bar Slide Block (back) Nut	164010	Feed (front) Bar Connection Hinge Screw Stud Position Pin
1718(803)	Feed (back) Bar Connection Hinge Screw Stud Nut	164011	Feed (back) Dog Section (left) for 460K43 and 460K73
1718(803)	Feed (front) Bar Connection Hinge Screw Stud Nut	164012	Feed (back) Dog Section (right) for 460K43 and 460K73
9525(803)	Feed (back) Bar Connection Hinge Screw Stud Nut Washer	164013	Feed (back) Dog, complete, Nos., 1100(830), 164011 and 164012 for 460K43 and 460K73
9525(803)	Feed (front) Bar Connection Hinge Screw Stud Nut Washer	164017	Feed (front) Bar Connection
17022	Feed Bar Slide Block (back) Nut Washer	164018	Feed (front) Bar Connection Bearing
45057	Looper (left hand) Driving Shaft Crank Key Screw Washer	164019	Feed (front) Dog for 460K43 and 460K73
59456	Looper (left hand) Carrier Screw Washer	164046	Looper (left hand) Carrier with 114224(869) 141292(869) and 164202
81201-010	Feed (back) Eccentric (10 stitches per inch) (for 460K45 and 460K75)	164048	Looper (left hand) Driving Shaft
81201-010	Feed (front) Eccentric (10 stitches per inch)(for 460K45 and 460K75)	164049	Looper (left hand) Driving Shaft Bushing (back)
81201-014	Feed (back) Eccentric (14 stitches per inch)(for 460K43 and 460K73)	164053	Looper (left hand) Driving Shaft Crank Thrust Bearing
81201-014	Feed (front) Eccentric (14 stitches per inch)(for 460K43 and 460K73)	164067	Looper (left hand) Driving Shaft Crank Key
87025	Looper (left hand) (for 460K43 and 460K73)	164074	Machine Frame Bottom Cover
87026	Looper (left hand) (for 460K45 and 460K75)	164093	Machine Frame Rotary Shaft Ball Sleeve (two pieces)
93552	Looper (left hand) Driving Shaft Crank Connection with 98930, two each 109925(830), 140159(830) and 164093	164202	Looper (left hand) Stop Pin
93937	Machine Frame Wearing Plate	164223	Feed (back) Dog Section (right) for 460K45 and 460K75
95784	Looper (left hand) Driving Shaft Bushing (front)	164293	Looper (left hand) Driving Shaft Bushing (back) Cap Screw Washer
98930	Machine Frame Rotary Shaft Ball Sleeve Guide	164367	Feed (back) Dog Section (left) for 460K45 and 460K75
101786	Feed Lifting and Knife (movable) Eccentric (for 460K43 and 460K73)	164369	Feed (back) Dog complete, Nos., 1100(830), 164223 and 164367 for 460K45 and 460K75
101796	Machine Frame Oil Tube (bent) with Wick	164660	Looper (left hand) Carrier Holder with 114256-451 140393(830) and 140596(830)
101798	Machine Frame Oil Tube (bent) Wick with Threading Wire (for agents only)	164661	Looper (left hand) Carrier Holder 164660 with 1324(803), 59456, and 164046
101802	Oil Agitator	164687	Feed (back) Bar with 164010
101809	Thread (needle) Controller Lever for 460K43 and 460K73	164739	Looper (left hand) Driving Shaft Oil Ring (rubber)
101832	Feed Lifting Eccentric for 460K45 and 460K75	164740	Looper (left hand) Driving Shaft Oil Ring Spacer
101833	Knife (movable) Eccentric for 460K45 and 460K75	165106	Feed (front) Dog for 460K45 and 460K75
101838	Thread (needle) Controller Lever for 460K45 and 460K75	165134	Feed Bar Slide Block (front) for 460K45 and 460K75
101858	Machine Frame Bottom Cover Gasket	165135	Feed Bar Slide Block (front) for 460K43 and 460K73
101880	Looper (left hand) Driving Shaft Crank Connection 93552 with 101802	165160	Machine Frame Wearing Plate Spacer
114112(830)	Machine Frame Bottom Cover Screw	165170	Machine Frame Rotary Shaft Bushing (front)
114256-451	Looper (left hand) Carrier Holder Clamping Screw	165179	Feed (back) and (front) Bars complete, Nos. 164006, 164007, 164008, 164017, 164018, 164687, 165135 and two each 1718(803), 9525(803), 164004 and 164009 for 460K43 and 460K73
114256-451	Looper (left hand) Driving Shaft Crank Clamping Screw	165180	Feed (back) and (front) Bars complete, Nos. 164006, 164007, 164008, 164017, 164018, 164687, 165134, two each 1718(803), 9525(803), 164004 and 164009 for 460K45 and 460K75
114224(869)	Looper (left hand) Set Screw		
114258-451	Looper (right hand) Driving Shaft Crank Connection Cap (upper) Screw		
114263-451	Looper (left hand) Driving Shaft Crank Connection Cap (lower) Screw		
113149	Machine Frame Rotary Shaft Nut		
132583	Knife (movable) Lever Hinge Pin with 132584		
132584	Knife (movable) Lever Hinge Pin Oil Wick		



NUMERICAL LIST OF PARTS FOR SECTION 5.

<u>Part No.</u>	<u>Description</u>	<u>Part No.</u>	<u>Description</u>
		164077	Machine Frame Bracket Screw (large) Washer (fibre)
157(803)	Feed Eccentric Cover Bracket Screw	164104	Cloth Plate Plunger
187(805)	Machine Frame Bracket Key Screw	164105	Cloth Plate Plunger Spring
190(805)	Knife (stationary) and Needle Guard Holder Adjusting Stud Cap Screw	164106	Cloth Plate Position Collar with two 624(830)
227(809)	Feed Eccentric Cover Latch Spring Screw	164205	Cloth Plate Lock Spring
624(830)	Cloth Plate Plunger Set Screw	164207	Machine Frame Bracket Key
624(830)	Cloth Plate Position Collar Set Screw	164401	Feed Eccentric Cover Latch Spring
629(810)	Feed Eccentric Cover Hinge Screw	164520	Feed Eccentric Cover
853(830)	Looper (left hand) Thread Tube Set Screw	164525	Knife (stationary) and Needle Guard Holder Spring Stud
1083(805)	Needle Guard Holder Screw	164590	Knife (stationary) and Needle Guard Holder Adjusting Stud
1094(806)	Throat Plate Screw	164704-002	Feed Eccentric Cover Bracket
1209(809)	Chip Guard Screw (lower)	164705-002	Feed Eccentric Cover Bracket 164704-002 with 164023
1250(830)	Cloth Plate Lock Spring Retaining Screw Stud	164728	Knife (stationary)
1423(813)	Feed Eccentric Cover Bracket Oil Cover Screw	164744	Knife (stationary) Clamping Gib
1454(805)	Throat Plate Guide Screw	164745	Knife (stationary) and Needle Guard Holder Body with two 50611(803)
1700(809)	Cloth Plate Extension Screw Nut	165055	Looper (left hand) Thread Tube
1700(809)	Cloth Plate Lock Spring Nut	165058	Needle Guard
1700(809)	Cloth Plate Position Screw Nut	165059(813)	Needle Guard Holder
3146	Knife (stationary) Clamping Gib Screw Washer	165062	Knife (stationary) and Needle Guard Holder
19044	Feed Eccentric Cover Closing Spring Washer	165063	Knife (stationary) and Needle Guard Holder (adjustable) complete, Nos. 141444(831), 164745 and 165062
39541	Knife (stationary) and Needle Guard Holder Adjusting Stud Cap Screw Washer	165064	Knife (stationary) and Needle Guard Holder (adjustable) with Gib complete, Nos. 3146, 114032(803), 164744 and 165063
50225(809)	Needle Guard Screw	165149	Machine Frame Bracket
50611(803)	Knife (stationary) and Needle Guard Holder Position Screw	165150	Machine Frame Bracket Assembly, Nos. 164207, 165149 and two 187(805) (for agents only)
51408(830)	Cloth Plate Extension Screw	175032	Knife (stationary) and Needle Guard Holder Sleeve Screw Washer
51408(830)	Cloth Plate Lock Spring Screw	931084(809)	Cloth Plate Extension Screw Nut Lock Washer
51408(830)	Cloth Plate Position Screw	931084(809)	Cloth Plate Lock Spring Nut Lock Washer
81202(813)	Feed Eccentric Cover Bracket Oil Cover		
81376(813)	Feed Eccentric Cover Bracket Splash Guard		
81388	Feed Eccentric Cover complete, Nos. 629(810), 1423(813), 81202(813), 81376(813), 164401, 164520, 164705-002 and two 227(809)		
81425-001	Throat Plate for 460K43 and 460K73		
81425-003	Throat Plate for 460K45 and 460K75		
81433	Throat Plate Guide with 853(830)		
90151	Cloth Plate		
90152	Cloth Plate with Extension complete, Nos. 19044, 90151, 101845, 164002, 164205, two 931084(809), three each 1700(809) and 51408(830)		
101845	Feed Eccentric Cover Closing Spring		
114032(803)	Knife (stationary) Clamping Gib Screw		
115422	Chip Guard		
140088(805)	Knife (stationary) and Needle Guard Holder Sleeve Screw		
140395(805)	Machine Frame Bracket Screw (small)		
140396(805)	Machine Frame Bracket Screw (large)		
140509(809)	Chip Guard Screw (upper)		
141444(831)	Knife (stationary) and Needle Guard Holder Screw		
164002	Cloth Plate Extension		
164023	Feed Eccentric Oil Wick		
164042	Knife (stationary) and Needle Guard Holder Sleeve		
164043	Knife (stationary) and Needle Guard Holder Spring		



- 101799**
- 82306
 - 101847
 - 139026
 - 164096
 - 164100
 - 164217
 - 165171

- 101835**
- 82306
 - 101848
 - 139026
 - 164096
 - 164100
 - 164217
 - 165171

SECTION 3.

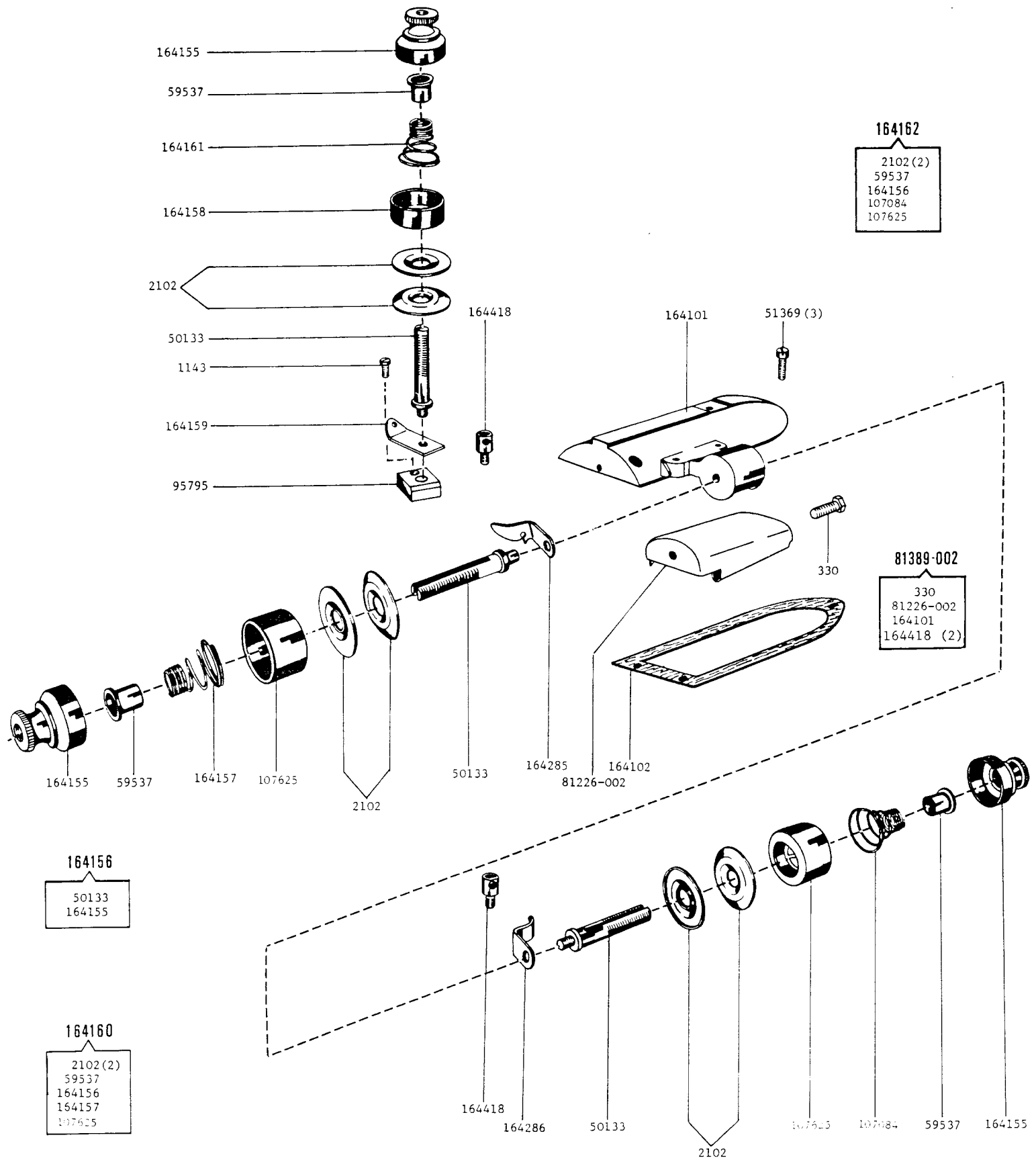
NUMERICAL LIST OF PARTS FOR SECTION 4.

Part No.	Description
330(809)	Machine Frame Top Cover Oil Lead Screw
1143(830)	Tension (needle) Thread Guide Block Screw
2102	Tension Disc
50133(803)	Tension Screw Stud
51369(809)	Machine Frame Top Cover Screw
59537	Tension Spring Bushing
81226-002	Machine Frame Top Cover Oil Lead
81389-002	Machine Frame Top Cover 164101 with 330(809), 81226-002 and two 164418(809)
95795(809)	Tension (needle) Thread Guide Block
107084	Tension (heavy) Spring
107625	Tension Spring Cover
164101	Machine Frame Top Cover
164102	Machine Frame Top Cover Gasket
164155(809)	Tension Regulating Thumb Nut
164156	Tension Screw Stud 50133(803) with 164155(809)
164157	Tension (light) Spring
164159(809)	Tension (needle thread) Thread Guide
164160	Tension (light) complete, Nos. 59537, 164156, 164157, 107625 and two 2102
164162	Tension (heavy) complete nos. 59537, 107084, 107625, 164156 and two 2102
164285(809)	Tension (looper thread) Thread Guide (left)
164286(809)	Tension (looper thread) Thread Guide (right)
164418(809)	Tension Thread Eyelet

NUMERICAL LIST OF PARTS FOR ACCESSORIES

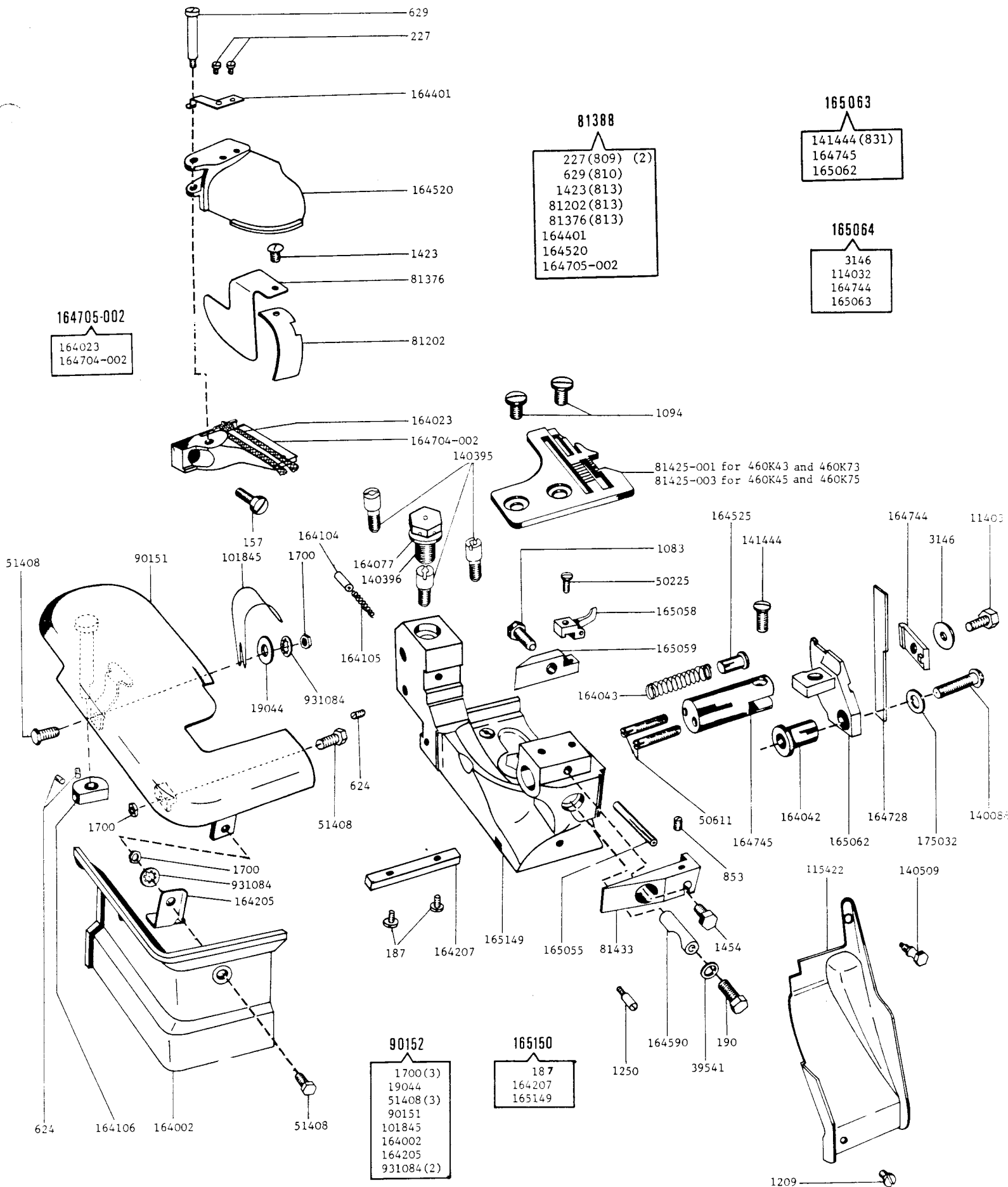
Part No.	Description
356(803)	Knee Lifter Rock Shaft Knee Arm Hub Set Screw
356(803)	Knee Lifter Rock Shaft Knee Plate Set Screw
356(803)	Knee Lifter Rock Shaft Stop Dog Set Screw
2763	Knee Lifter Rock Shaft
2767	Knee Lifter Rock Shaft Knee Plate with 356(803)
2770	Knee Lifter Rock Shaft Stop Dog with 356(803)
4879	Foot Lifter Chain Connecting Link
4881	Foot Lifter Treadle
4882	Foot Lifter Treadle Shaft
4884	Foot Lifter Treadle Stand
4885	Treadle complete, Nos. 4879, 4881 to 4884 and two wood screws 1" No. 16 F.H. (only supplied if specified on order at no extra charge)
6337	Knee Lifter Rock Shaft Lifting Bracket with two 140219(803)
6439	Foot Lifter Chain with 56864 and 56865
10875	Wrench
12242	Knee Lifter Rock Shaft Hanger with two wood screws 1" No. 10
51326(809)	Belt Guard Screw
56864	Foot Lifter Chain Hook (large)
56865	Foot Lifter Chain Hook (small)
56865	Knee Lifter Chain Hook (small)
59324	Knee Lifter Chain (8" long) with 56865
68547	Wrench
81350-011	Tin of Oil (1 pint, type H)
81440	Key for 1/16" Allen Head Screws

Part No.	Description
81443	Thread Unwinder (3 spools)
82253	Gauge (supplied at an extra charge)
82264	Knife (movable) for 460K45 and 460K75
93903	Belt Guard
93904	Belt Guard complete, Nos. 93903, two each 51326(809), 164200 and wood screws 3/4" No. 7 F.H.
101831	Machine Base with two each wood screws sizes 3/4" No. 8 R.H. and 1 1/4" No. 6 F.H.
140219(803)	Knee Lifter Rock Shaft Lifting Bracket Hook Set Screw
140219(803)	Knee Lifter Rock Shaft Lifting Bracket Set Screw
141253(830)	Knee Lifter Rock Shaft Knee Arm Hub Clamping Screw
143283	Knee Lifter Rock Shaft Knee Arm
147489	Knee Lifter Rock Shaft Knee Arm Hub with 356(830) and 141253(830)
161294	Screw Driver
164164	Thread (looper, right hand) Thread Eyelet (movable)
164188	Machine Cushion (large)
164189	Machine Cushion (small)
164196	Threader
164197	Wrench (socket)
164198	Presser Bar Lifting Chain
164200	Belt Guard Bracket (back)
164203	Feed Eccentric Extractor (supplied at an extra charge)
164204	Tweezers
164550	Knife (movable) for 460K43 and 460K73
164727	Knee Lifter complete (supplied in place of Foot Lifter if specified on order)
164728	Knife (stationary)
164729	Knee Lifter Rock Shaft Lifting Bracket Hook
165253	Gauge (available at an extra charge)
168198	Chip Chute (supplied only when specified on order for all territories except U.S.A. and Canada at no extra charge. Regularly supplied for U.S.A. and Canada at no extra charge).



NUMERICAL LIST OF PARTS FOR SECTION 3.

<u>Part No.</u>	<u>Description</u>	<u>Part No.</u>	<u>Description</u>
		164125	Oil Cooler Oil Pipe
		164127	Oil Cooler Oil Tube Coupling
		164128	Oil Cooler Oil Tube Wick with Threading Wire
145(809)	Oil Cooler Cover Screw	164135	Oil Cup for filling machine
157(803)	Oil Cooler Screw (short)	164231	Machine Pulley with two 448(830)
448(830)	Machine Pulley Set Screw	165171	Machine Frame Rotary Shaft Bushing (intermediate)
1036(830)	Machine Frame Rotary Shaft Counterbalance Set Screw	165238	Machine Frame Rotary Shaft Ball Bearing Housing
1698(809)	Machine Frame Oil Lead Screw Nut	165239	Machine Frame Rotary Shaft Ball Bearing Housing Gasket
39541	Machine Frame Oil Lead Screw Washer	165240	Machine Frame Rotary Shaft Bushing (intermediate) Oil Screen
51139(809)	Oil Cooler Screw (long)		
51332(803)	Machine Frame Rotary Shaft Bushing (intermediate) Set Screw		
51369(803)	Machine Frame Rotary Shaft Ball Bearing Housing Screw		
51630	Oil Cooler Oil Tube Lock Nut		
82297	Machine Frame Oil Lead		
82306	Machine Frame Rotary Shaft Key		
101795	Machine Frame Oil Lead Tube Support		
101799	Machine Frame Rotary Shaft with 82306, 101847, 139026, 164096, 164100, 164217 and 165171 for 460K43 and 460K73		
101800	Machine Frame Rotary Shaft Cross Wick		
101801	Machine Frame Rotary Shaft Oil Wick (long)		
101803	Oil Cooler complete with two 164125		
101804	Oil Cooler Cover with 164135		
101805	Oil Cooler Cover 101804 with 101806		
101806	Oil Cooler Cover Gasket		
101825	Oil Cooler Oil Tube with 138269 and wick		
101835	Machine Rotary Shaft with 82306, 101848, 139026, 164096, 164100, 164217 and 165171 for 460K45 and 460K75		
101844	Knife (movable) Lever Hinge Stud Oil Wick (long) Protection Sleeve		
101847	Machine Frame Rotary Shaft with 101800 and 101801 (for agents only) for 460K43 and 460K73		
101848	Machine Frame Rotary Shaft with 101800 and 101801 (for agents only) for 460K45 and 460K75		
107204	Machine Frame Oil Drain Plug		
138269	Oil Cooler Oil Tube Sleeve		
139026	Machine Frame Rotary Shaft Ball Bearing		
140088(813)	Machine Frame Oil Lead Screw		
140346(830)	Machine Frame Oil Plug Bracket Set Screw		
140416(841)	Machine Pulley Cap Screw		
164071	Machine Pulley Cap		
164082	Machine Frame Oil Plug Bracket		
164096	Machine Frame Rotary Shaft Counterbalance with 1036(830)		
164098	Machine Frame Rotary Shaft Oil Return and Ball Bearing Grease Retainer		
164099	Machine Frame Rotary Shaft Screw Stud		
164100	Machine Frame Rotary Shaft Thrust Bearing		
164124	Oil Cooler Gasket		



NUMERICAL LIST OF PARTS FOR SECTION 2.

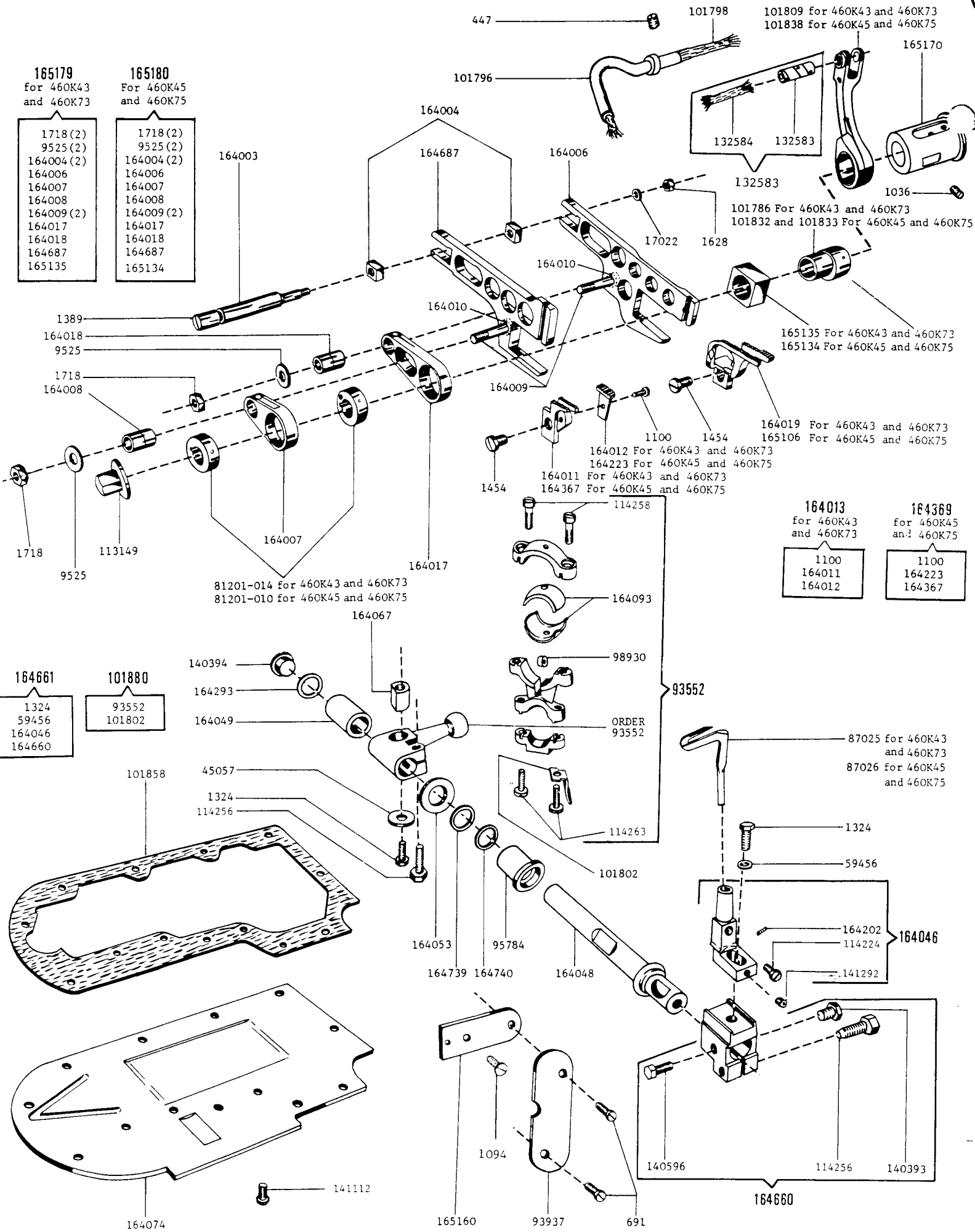
<u>Part No.</u>	<u>Description</u>	<u>Part No.</u>	<u>Description</u>
		93928	Knife (movable) Hinged Cover
		93929	Knife (movable) Hinge Cover 93928 with 82256 and 82257
198(809)	Knife (movable) Holder Screw	101839	Needle Driving Shaft Bushing for 460K43 and 460K73
399(806)	Thread (needle) Controller Screw for 460K73 and 460K75	101840	Needle Driving Shaft Bushing for 460K45 and 460K75
447(830)	Knife (movable) Lever Bearing Set Screw (long)	101850	Knife (movable) Lever 165356 with 107161 101809, 132583 and 164035 for 460K43 and 460K73
447(830)	Knife (movable) Lever Guide Holder Thread Tube Set Screw (Machine Frame End)	101851	Knife (movable) Lever 165356 with 107161 101838, 132583 and 164035 for 460K45 and 460K75
447(830)	Knife (movable) Lever Hinge Stud Set Screw (back)	106132	Knife (movable) Holder for 460K73 and 460K75
460(830)	Knife (movable) Lever Guide Thread Tube Set Screw	106145	Knife (movable) Lever Cover and Presser Bar (upright) Housing with 460(830) for 460K73 and 460K75
460(830)	Thread Eyelet (needle thread) Set Screw	106146	Knife (movable) Lever Cover and Presser Bar (upright) Housing complete, Nos. 50060(810), 82259, 82281, 93929, 106144, 106145, 164138, 164139, 164142(809), 164143, 164194, 164416 and two 50318(809) for 460K73
624(830)	Knife (movable) Lever Bearing Set Screw (short)	106147	Knife (movable) Lever Cover and Presser Bar (upright) Housing complete, Nos. 50060(810), 82259, 82281, 93929, 106144, 106145, 164139, 164142, 164143, 164194, 164884 and two 50318(809) for 460K73
1083(803)	Needle Driving Shaft Crank Clamping Screw	107618	Needle Driving Shaft with 82309
1143(830)	Knife (movable) Lever Hinge Stud Set Screw (top)	107620	Thread (needle) Controller for 460K73
1259	Knife (movable) Lever Bearing and Attachment Bracket Screw	107636	Thread (needle) Controller for 460K75
1423	Knife (movable) Lever Guide and Needle Thread Bridge Bracket Screw	107782	Needle Driving Shaft 107618 with 51768(803), 82312 and 82313
1423	Knife (movable) Lever Guide and Needle Thread Bridge Eyelet Screw	109876	Needle Driving Shaft Bushing Locating Screw
50073(809)	Knife (movable) Lever Cover and Presser Bar (upright) Housing Screw	109927(869)	Knife (movable) Lever Hinge Pin Set Screw
50318	Knife (movable) Hinged Cover Screw	109935(830)	Lint Stripper Set Screw
51023(818)	Machine Frame Oil Splash Guard (top) Screw	114258-451	Needle Driving Shaft Crank Connection Cap (lower) Screw
51768(803)	Needle Clamping Nut	114263-451	Needle Driving Shaft Crank Connection Cap (upper) Screw
82256	Knife (movable) Hinged Cover Hinge	140050(803)	Knife (movable) Clamp Screw
82257	Knife (movable) Hinged Cover Pin	140159(830)	Needle Driving Shaft Crank Connection Cap (lower) Screw
82259	Knife (movable) Hinged Cover Spring	140596(830)	Needle Driving Shaft Crank Set Screw for 460K43 and 460K45
82264	Knife (movable) for 460K45 and 460K75	164027(809)	Knife (movable) Clamp
82271	Presser Bar Bracket	164029-003	Knife (movable) Holder for 460K43 and 460K45
82274	Knife (movable) Lever Cover and Presser Bar (upright) Housing with 460(830) for 460K43 and 460K45	164030	Knife (movable) Holder Screw Bearing
82275	Knife (movable) Lever Cover and Presser Bar (upright) Housing complete, Nos. 50060(810), 82259, 82274, 82281, 93929, 164137, 164138, 164139, 164142(809) for 460K43	164034	Knife (movable) Lever Hinge Stud
82276	Knife (movable) Lever Cover and Presser Bar (upright) Housing complete, Nos. 50060(810), 82259, 82274, 82281, 93959, 164137, 164139, 164142, 164143, 164194, 164884 and two 50318 for 460K45	164035	Knife (movable) Lever Hinge Stud 164034 with 164036 and 164269
82281	Thread Eyelet (needle thread)	164036	Knife (movable) Lever Hinge Stud Oil Wick (long)
82299	Machine Frame Oil Splash Guard (top)	164053	Looper (right hand) Driving Shaft Crank Thrust Washer
82309	Needle Stop Pin for 460K73 and 460K75	164114	Needle Driving Shaft Crank Connection with 50364(803)
82311	Needle Driving Shaft Bushing Cap	164115	Needle Driving Shaft Crank Ball
82312	Needle Holder for 460K73 and 460K75	164217	Needle Driving Shaft Crank Connection with 114256-451, 164114, 164115, two each 114263-451 and 140596(830)
82313	Needle Holder Washer for 460K73 and 460K75	164182	Knife (movable) Lever Guide Thread Tube
82337	Knife (movable) Lever Guide	164269	Knife (movable) Lever Hinge Stud Oil Wick (short)
82338	Knife (movable) Lever Guide and Needle Thread Bridge Bracket	164462(809)	Lint Stripper with 109935(830)
82339	Knife (movable) Lever Guide and Needle Thread Bridge Eyelet	164550	Knife (movable) for 460K43 and 460K73
82340	Knife (movable) Lever Guide 82337 with 460(830), 82338, 82339, 164182 and two 1423	165291	Knife (movable) Guard (lower)
87029	Knife (movable) Lever Bearing and Attachment Bracket	165356	Knife (movable) Lever with 109927(869)
87262	Knife (movable) Lever Bearing and Attachment Bracket 87029 with 1259	165487	Knife (movable) Guard (upper)

165179
for 460K43
and 460K73

165180
For 460K45
and 460K75

- 1718 (2)
- 9525 (2)
- 164004 (2)
- 164006
- 164007
- 164008
- 164009 (2)
- 164017
- 164018
- 164687
- 165135

- 1718 (2)
- 9525 (2)
- 164004 (2)
- 164006
- 164007
- 164008
- 164009 (2)
- 164017
- 164018
- 164687
- 165134



NUMERICAL LIST OF PARTS FOR SECTION 1.

Part No.	Description	Part No.	Description
		164146	Presser Foot Chaining-off Finger for 460K43 and 460K73
185(809)	Machine Frame Bracket Oil Screen Screw	164147	Presser Foot Clamping Plate
185(809)	Machine Frame Oil Splash Guard (internal) Screw (bottom)	164149	Presser Foot Guide for 460K43 and 460K73
462(830)	Presser Bar Lifting Bracket Set Screw (short)	164150	Presser Foot with Chain Cutter complete, Nos. 50169(809), 50225(809), 51306(805), 164145, 164146, 164147, 164149, 164220 and 164221 for 460K43 and 460K73
624(830)	Presser Bar Lifting Bracket Set Screw (long)	164194	Pressure Regulating Thumb Screw
665(809)	Chain Cutter Knife Screw	164220	Presser Foot Chain Cutter Friction Plate for 460K43 and 460K73
1443(809)	Machine Frame Oil Splash Guard (internal) Screw (top)	164221	Presser Foot Chain Knife for 460K43 and 460K73
1443(809)	Thread (needle) Controller Screw	164351(809)	Presser Bar (swing-out) Pivot Screw Locking Plate
1637(810)	Presser Bar Lifting Bracket Stop Screw Nut	164360	Presser Foot Guide for 460K45 and 460K75
1700(809)	Presser Bar (swing-out) Lifting Screw Stud Nut	164378	Presser Foot Body for 460K45 and 460K75
42436	Presser Bar (swing-out) Opening Lever Hinge Screw Washer	164379	Presser Foot Chaining-off Finger for 460K45 and 460K75
50169(809)	Presser Foot Guide Screw	164380	Presser Foot with Chain Cutter complete, Nos. 50169(809), 50225(809), 164147, 164360, 164378 and 164379 for 460K45 and 460K75
50225(809)	Presser Foot Clamping Plate Screw	164416	Presser Bar (upright) Spring (heavy)
51306(805)	Presser Foot Chain Knife Screw for 460K43 and 460K73	164515-002	Machine Frame Cover (back) for 460K43 and 460K45
51362(830)	Presser Bar (swing-out) Pivot Screw Locking Plate Screw	164516-002	Machine Frame Cover (back) 164515-002 with 1637(809) and 109898(803) for 460K43 and 460K45
51846	Presser Bar Lifting Bracket Roller and Stud	164814	Presser Bar (upright) Spring (extra heavy) (alternative to 164416) (used with 164815)
82305	Machine Frame Bracket and Cover (back) Gasket (rubber) for 460K43 and 460K45	164815	Presser Bar (upright) Spring Spacing Collar (alternative to 164416) (used with 164814)
82330(850)	Presser Bar (swing-out)	164860	Chain Cutter Holder
82462	Machine Frame Bracket Oil Screen Screw Washer	164861	Chain Cutter Knife
82462	Machine Frame Oil Splash Guard (internal) Screw (bottom) Washer	164862	Chain Cutter complete, Nos. 665(809), 164860 and 164861 (only supplied if specified on order and at an extra charge)
101828	Thread (needle) Controller for 460K43 and 460K45	164884	Presser Bar Lifting Lever for 460K45 and 460K75
101829	Oil Deflector	165156	Machine Frame Oil Splash Guard (internal) Oil Wick
101830	Needle Driving Shaft Oil Shield	165157	Machine Frame Oil Splash Guard (internal) Oil Wick Fastener
101927	Machine Frame Oil Splash Guard (internal) complete with 106156 and 165157		
101928	Machine Frame Bracket Oil Screen		
101962	Lint Guard		
106144	Presser Bar Lifting Bracket with 462(830), 624(830) and 51846 for 460K73 and 460K75		
106148	Machine Frame Cover (back) for 460K73 and 460K75		
106258	Machine Frame Cover (back) 106148 with 1637(809) and 109898(803) for 460K73 and 460K75		
109898(832)	Presser Bar Lifting Lever Stop Screw		
114082	Presser Bar (swing-out) Opening Lever Hinge Screw		
114256(809)	Machine Frame Cover (back) Screw (long) 2 for 460K43 and 460K45. 3 for 460K73 and 460K75		
140510(803)	Presser Bar (swing-out) Pivot Screw		
164137	Presser Bar Lifting Bracket with 462(830), 624(830) and 51846 for 460K43 and 460K45		
164138(809)	Presser Bar Lifting Lever for 460K43 and 460K73		
164139	Presser Bar Lifting Lever Spring		
164141	Presser Bar (swing-out) Lifting Screw Stud		
164142(809)	Presser Bar (swing-out) Opening Lever		
164143(850)	Presser Bar (upright)		
164144	Presser Bar (upright) Spring (heavy) (alternative to 164416)		
164145	Presser Foot Body for 460K43 and 460K73		

165154
165153 } 165185

624

101881

93553
101802

1628

109976

87027 For 460K43 and 460K73
87028 For 460K45 and 460K75

101970

164068

1700

93553

ORDER
93553

164293

140394

164049

164067

114258

164093

98930

114263

101802

164053

95785

164739

164740

164063

101789
MUST BE ORDERED
AS A UNIT

101788

1700(809)
101789
164068

114256

1324

45057

141292

101791

114036

165522
for
460K43 and 460K45

107511
for
460K73 and 460K75

1607

106401
for
460K73 and 460K75

624

101896

164091

164163

164449

1423

108812

164173

50318

107938

for 460K73

190

101837

for 460K43 and 460K45

164555

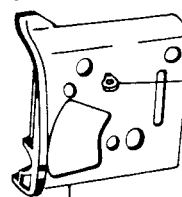
107882

for 460K75

332(2)	164165
1423	101896
1443	164171
1607	164173
107791	101836
164163	164449

332(2)	164165
1423	101896
1443	164171
1607	164173
107939	164449
164163	101836

332(2)	164165
1423	101896
1443	164171
1607	164173
50318	164206
101836	164449
164163	



101836

164206
For 460K43
and 460K45

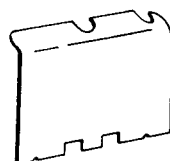
164168
164169
164170

107939
for 460K73

164168
164169
164170

107791
for 460K75

164168
164169
164170



164168

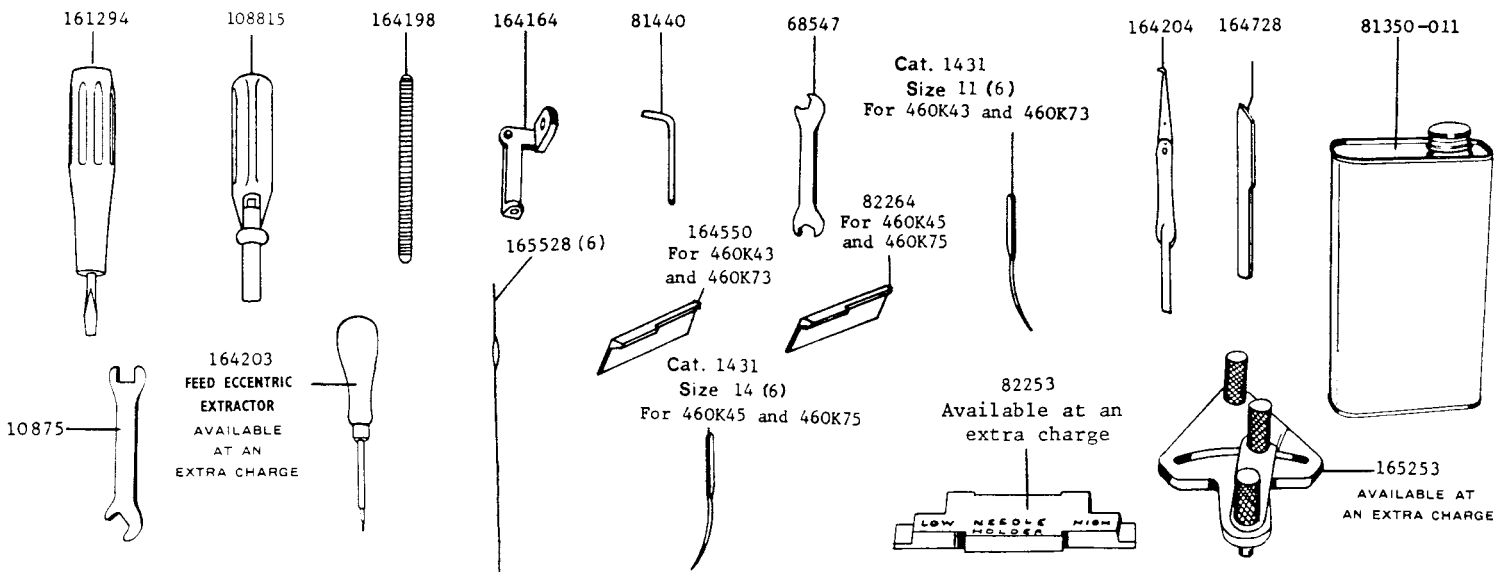
164169

164170

164171

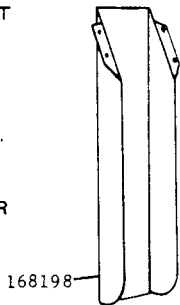
332

Accessories



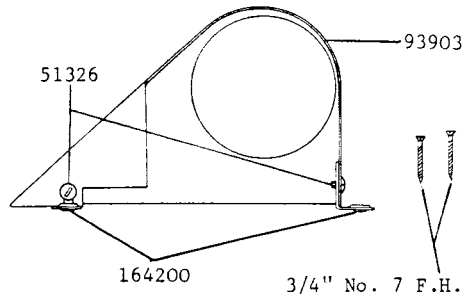
CHIP CHUTE

SUPPLIED ONLY WHEN SPECIFIED ON ORDER, AT NO EXTRA CHARGE, FOR ALL TERRITORIES EXCEPT U.S.A. AND CANADA. REGULARLY SUPPLIED FOR U.S.A. AND CANADA.

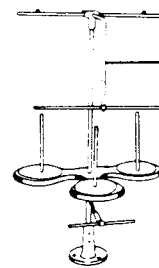


BELT GUARD

93904 51326(809) (2)
93903
164200 (2)
3/4" No. 7 F.H. (2)



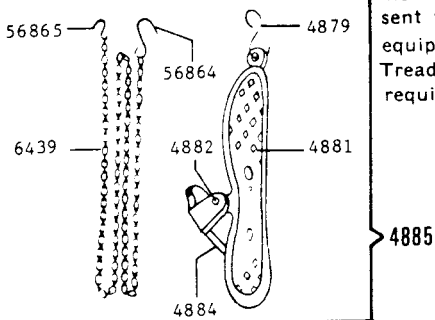
THREAD UNWINDERS



81443 (Three Spools)
SUPPLIED WITH MACHINE

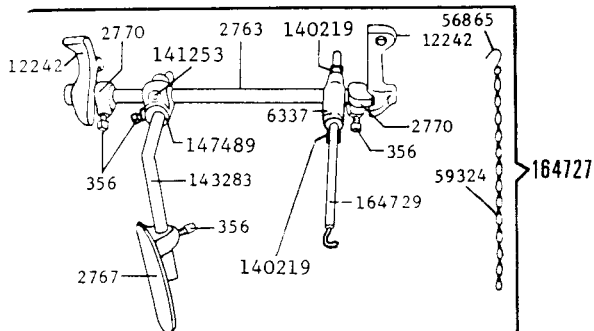
FOOT LIFTER

NOTE: As the stand recommended for these machines include a Foot Lifter Treadle, only Chain 6439 will be sent with machine. If fitted to a stand or other equipment which does not include a Foot Lifter Treadle, orders should state that Treadle 4885 is required and it will be furnished without charge.



KNEE LIFTER

AVAILABLE IN PLACE OF FOOT LIFTER IF SPECIFIED ON ORDER.



MACHINE BASE

